

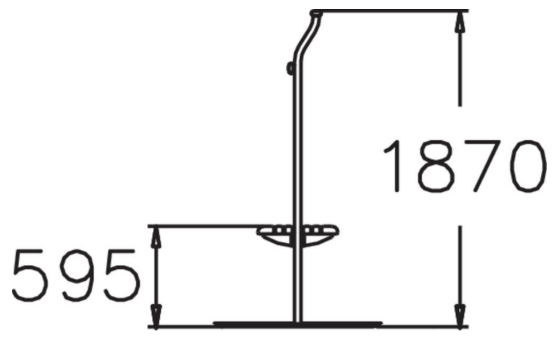
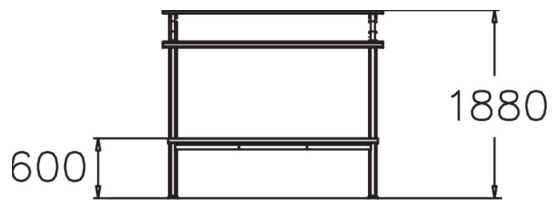
WINAM GROUP

060120-1

PARK CARPET RACK



Dusting rack with a wooden middle section.



Product length, mm	2200
Product width, mm	990
Product height, mm	1870
Foundation options	Deep mounting Free standing
Wood	
Metal colour	