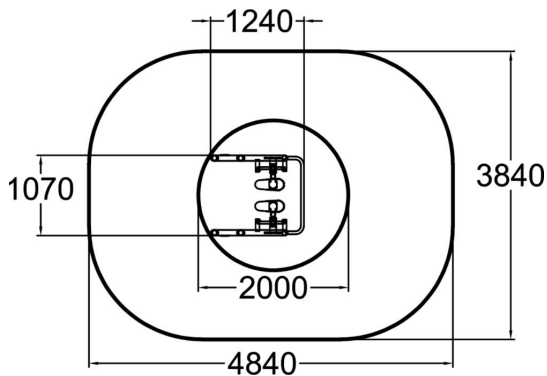
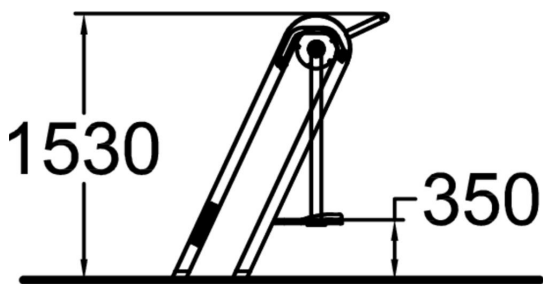




Air Walker comprising two footrests and a bar for holding on to. This device makes exercising fluid, soft and almost unnoticed. Without the jolting caused by ordinary running, it prevents injuries. Walking on the Air Walker improves the resistance and mobility of the muscles in the legs and hips. It is also suitable for a warm-up prior to other exercise. Core twister can be installed on loose fill material also.



Number of users	1
Product length, mm	1240
Product width, mm	1070
Product height, mm	1530
Impact area, m ²	15.3
Height required, mm	2545
Max. free fall height, mm	345
Safety info	EN 16630 TÜV
Foundation options	Surface mounting