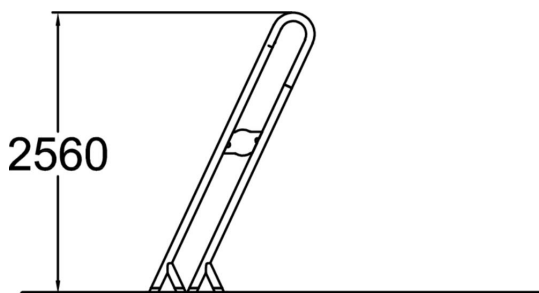
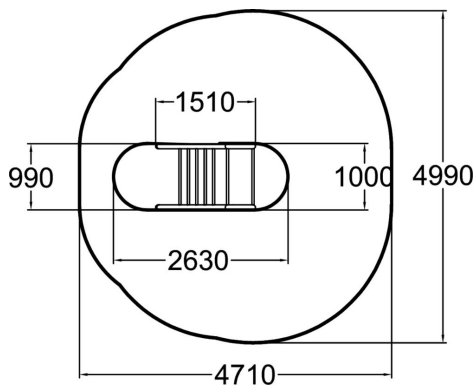




Leaning chin-up bar with six bars on one side and one on the other. The total height is 2,558 mm. The Pull-Up frame can be used for doing chin-ups or diverse leg raises. Strength training and stretching develop core and upper-body strength and improve the posture. Static holds can be used to develop body control. Users can try hanging as long as possible with their legs held in a knee-bend or in the top chin-up position. The device can also be used for diverse stretches, e.g. a hanging back stretch or a hamstring stretch with a raised leg.



Product length, mm	1510
Product width, mm	990
Product height, mm	2560
Impact area, m <sup>2</sup>	19.2
Falling space, m <sup>2</sup>	19.2
Height required, mm	2660
Max. free fall height, mm	2360
Safety info	EN 16630, EN 1176-1 TÜV
Foundation options	Surface mounting Deep mounting