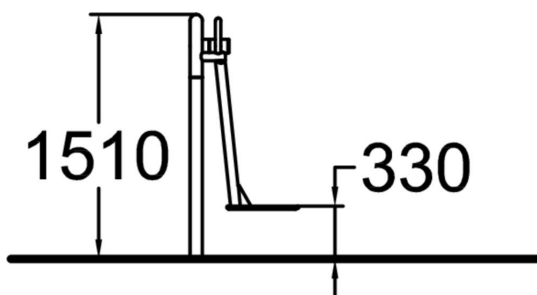
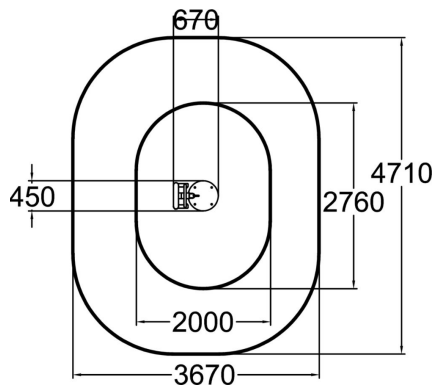


This equipment provides gentle training for the core and leg muscles and our sense of balance. It consists of a swinging round base and a curved bar for holding on to. The total height is 1,460 mm, and the base is at 276 mm. Swinging provides a good alternative to the pumping motion that is common to most gym equipment. Hip can be installed on loose fill material also.



| | |
|---------------------------|------------------|
| Number of users | 1 |
| Product length, mm | 830 |
| Product width, mm | 500 |
| Product height, mm | 1510 |
| Height required, mm | 2090 |
| Max. free fall height, mm | 590 |
| Safety info | EN 16630 TÜV |
| Foundation options | Surface mounting |