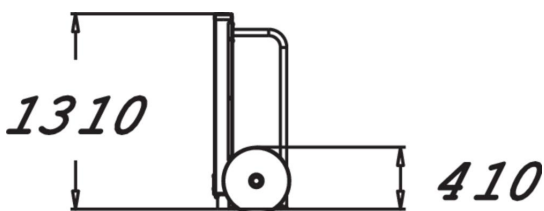
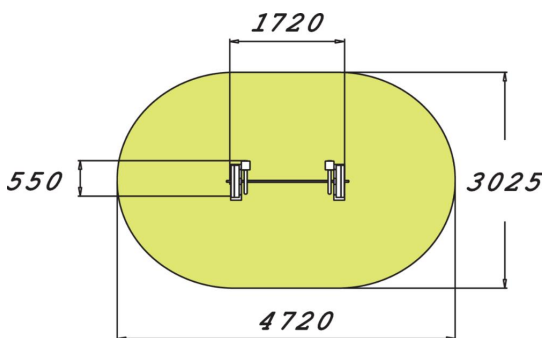




The Deadlift is a 1,310 mm high weigh-lifting bar weighing 65 kilograms. Deadlifts exercise nearly the whole body, but especially the back, glutes and thighs. A good deadlift technique is useful in everyday life, making it safer and easier, for example, to move a sofa.



Product length, mm	1720
Product width, mm	550
Product height, mm	1310
Height required, mm	2810
Installation time (for 1), H	4
Foundation options	Surface mounting