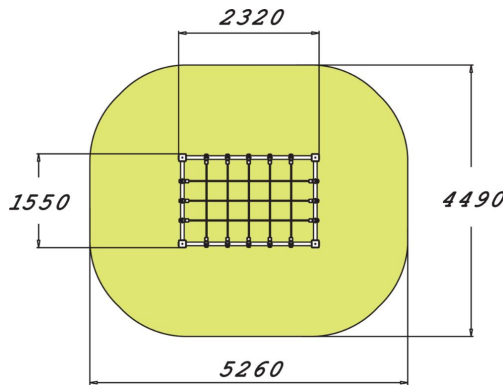


The Leopard Crawl is a horizontal net placed at a height of 705 mm, with steel edges and four upright posts. It is intended for crawling under. For an added challenge the crawler can attempt not to touch the floor or the net. This is a piece of equipment that children will also love.



Product length, mm	2320
Product width, mm	1550
Product height, mm	705
Impact area, m <sup>2</sup>	22.3
Height required, mm	2410
Max. free fall height, mm	610
Safety info	EN 16630, EN 1176-1 TÜV
Installation time (for 1), H	4
Foundation options	Deep mounting Surface mounting

