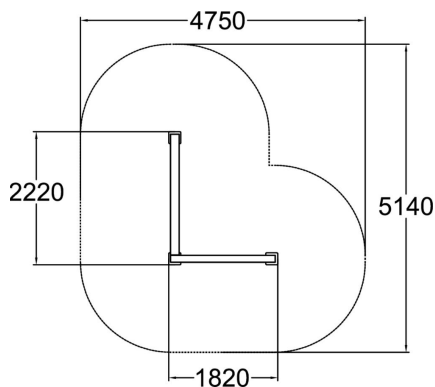


Vault LX is made for vaulting and balancing. LX has a beam instead a wall on one side leaving space for rolling under the beam for example as well. The L-shape provides directional versatility and invites to continue movement. With the wall height of 920mm the Vault L suits best for youth and adults. Vault products offer other functions as well such as balancing, take offs and landings, especially when combined with other products.



Product length, mm	2140
Product width, mm	1750
Product height, mm	920
Impact area, m ²	16.3
Falling space, m ²	18.8
Height required, mm	3020
Max. free fall height, mm	920
Safety info	EN 16899 TÜV
Foundation options	Deep mounting Surface mounting

