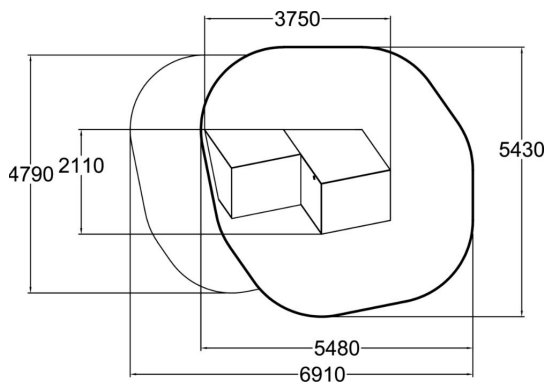


Combination of S and M size blocks form an inspiring piece that really invites to try out what it has to offer. The combination of the blocks provide multidirectional surfaces that enable a lot of variety in training different wall techniques, take offs, landings and climbing. Block elements are super valuable when placed in the middle of other products as you can approach them from basically any direction and always get a good grip thanks to the inclined anti-slip surface.



| | |
|-------------------------------|-----------------------------------|
| Product length, mm | 3750 |
| Product width, mm | 2110 |
| Product height, mm | 1740 |
| Falling space, m ² | 31 |
| Height required, mm | 3840 |
| Max. free fall height, mm | 1740 |
| Safety info | EN 16899 TÜV |
| Foundation options | Deep mounting Surface mounting |