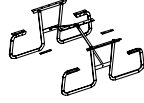
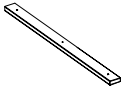
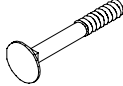

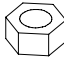
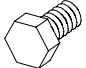
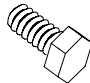
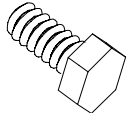

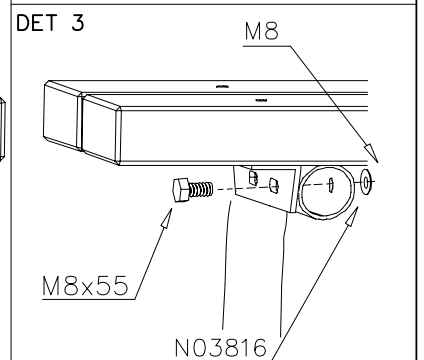
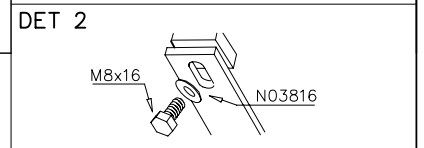
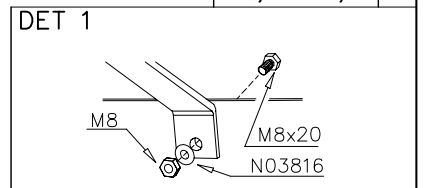
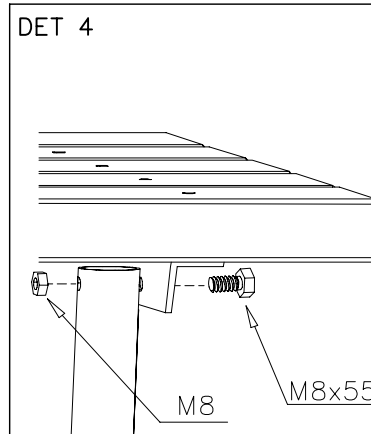
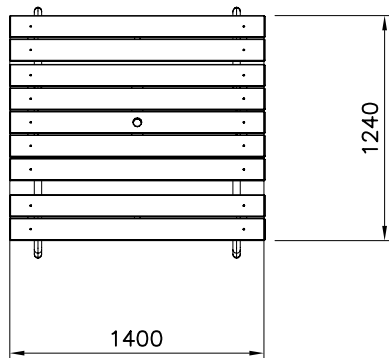
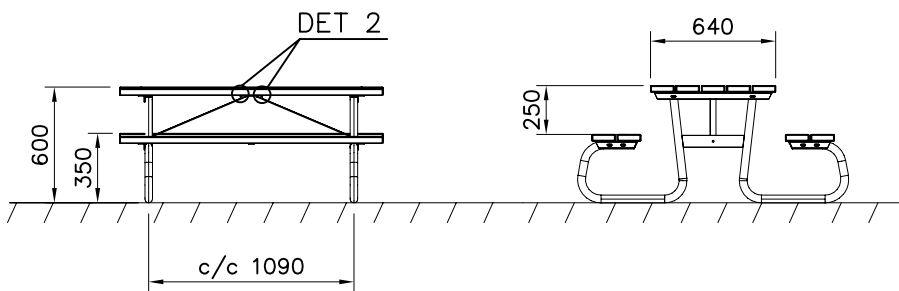
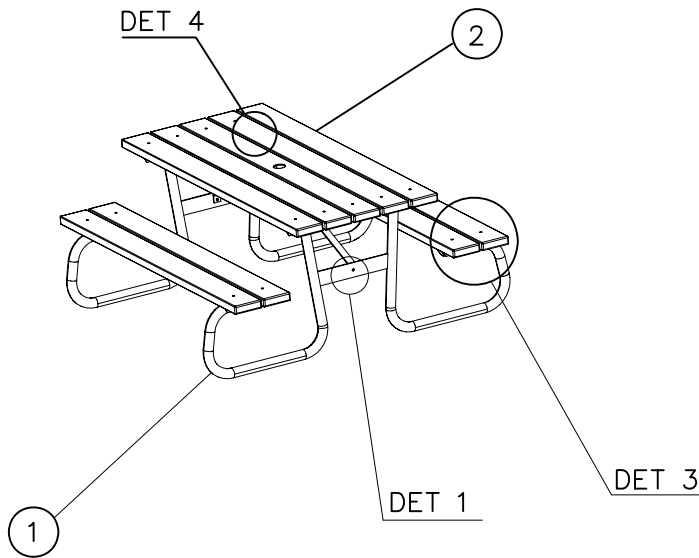
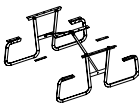
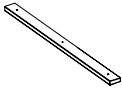
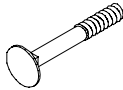

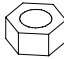
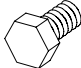
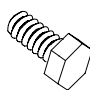
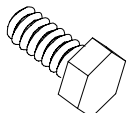



① N25921	PCS	② N25922	PCS
	1		9
		34x120x1400	
③ N50850	PCS	④ N00109	PCS
	26		2
M8x50		7x30	
⑤ N01800	PCS	⑥ N01855	PCS
	40		12
M8		M8x55	
⑦ N01816	PCS	⑧ N01820	PCS
	2		2
M8x16		M8x20	
		⑨ N03816	PCS
			16
		8,4x16x1,5	





① N25921	PCS	② N25922	PCS
	1		9
		34x120x1400	
③ N50850	PCS	④ N00109	PCS
	26		2
M8x50		7x30	
⑤ N01800	PCS	⑥ N01855	PCS
	40		12
M8		M8x55	
⑦ N01816	PCS	⑧ N01820	PCS
	2		2
M8x16		M8x20	
		⑨ N03816	PCS
			16
		8,4x16x1,5	

