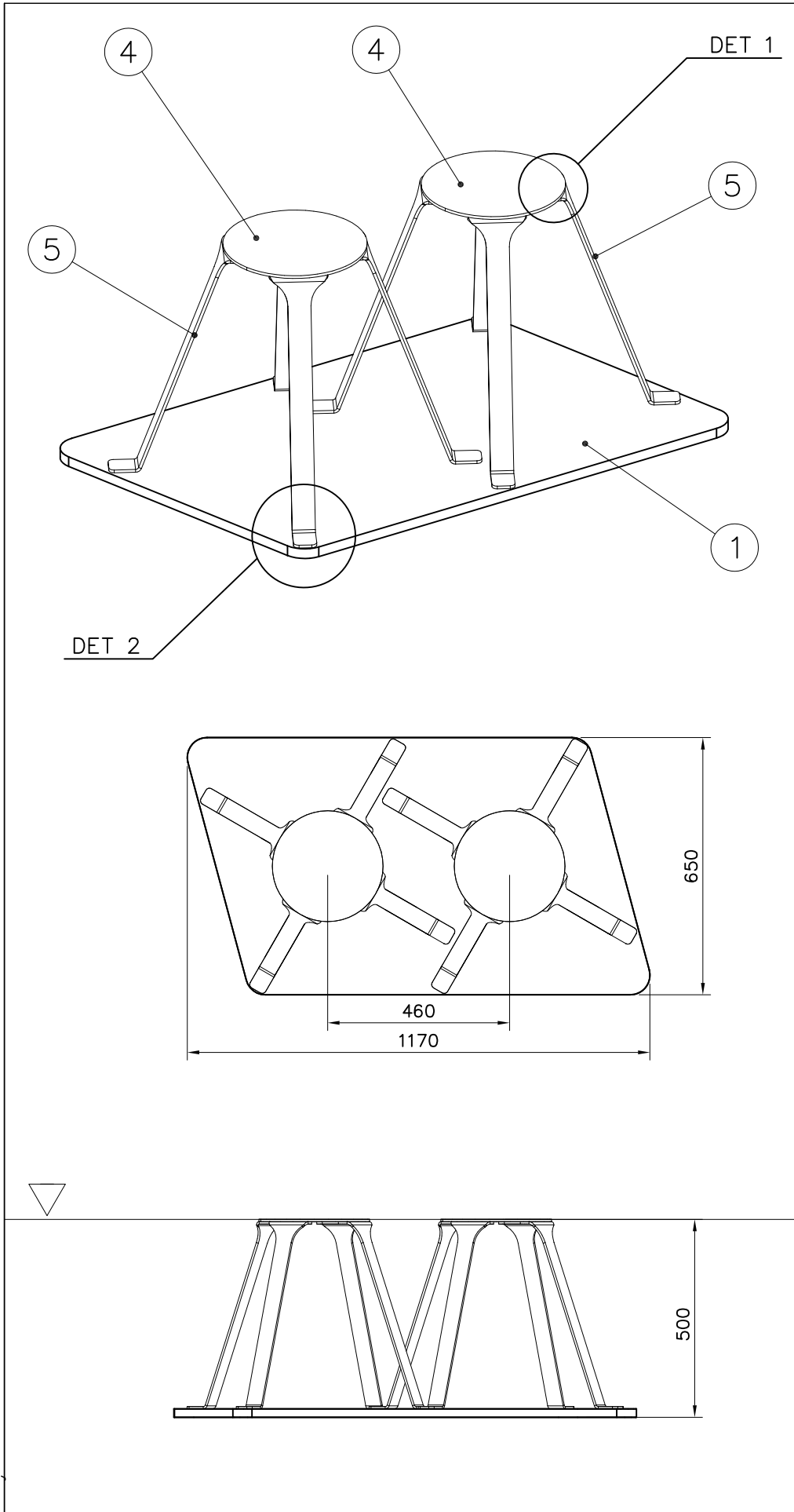


# WINAM GROUP GROUNDING

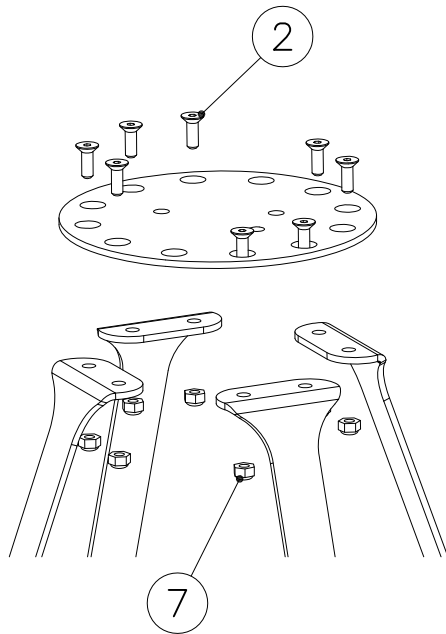
# 705998

DATE: 11.6.2013

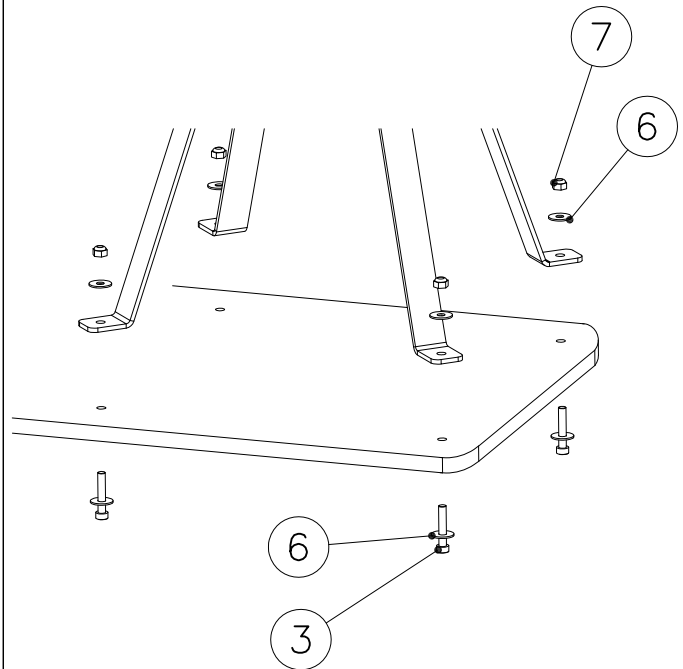


① 705997	PCS	② 900958	PCS
	1		16
21x650x1170		M10x30	
③ 902232	PCS	④ 905993	PCS
	8		2
M10x55			
⑤ 906000	PCS	⑥ 909255	PCS
	8		16
		Ø30/10.5	
⑦ 980161	PCS		PCS
	24		
M10			
	PCS		PCS
	PCS		PCS
	PCS		PCS

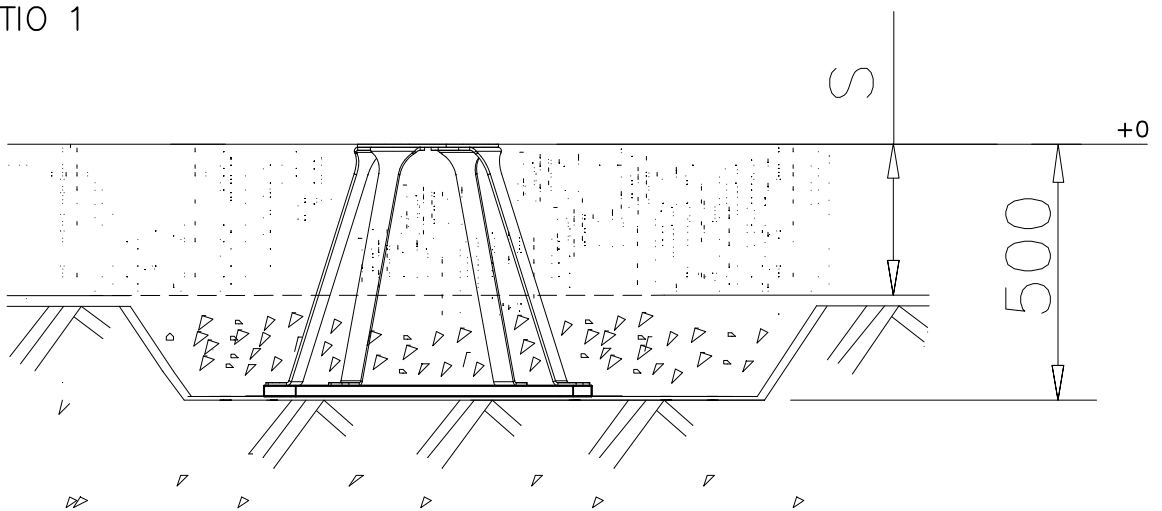
DET 1



DET 2



DET 3 OPTIO 1



DET 3 OPTIO 2 (WITH CONCRETE)

