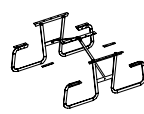
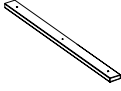
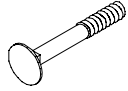

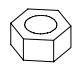
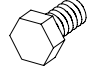
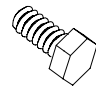
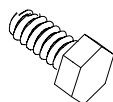
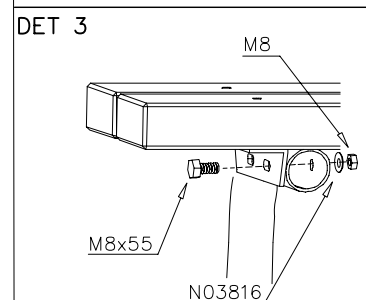
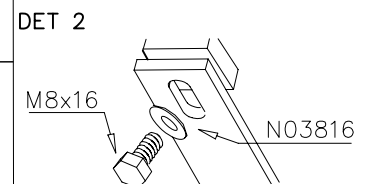
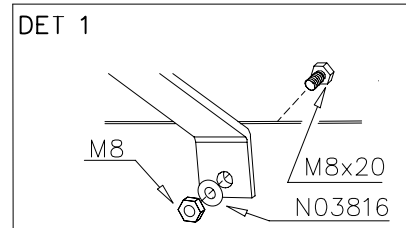
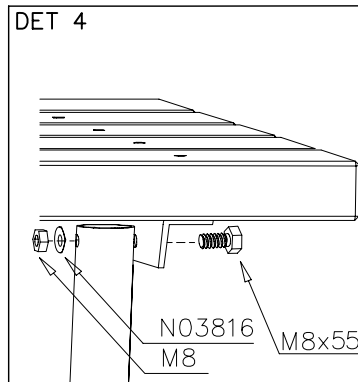
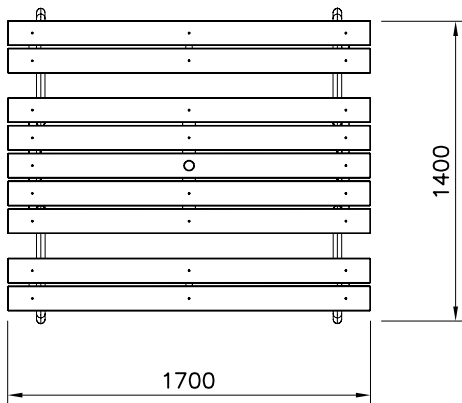
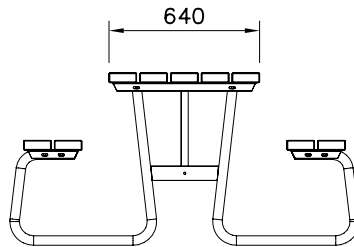
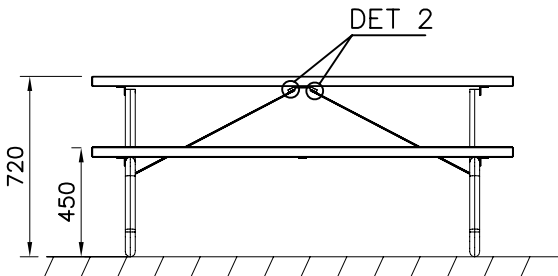
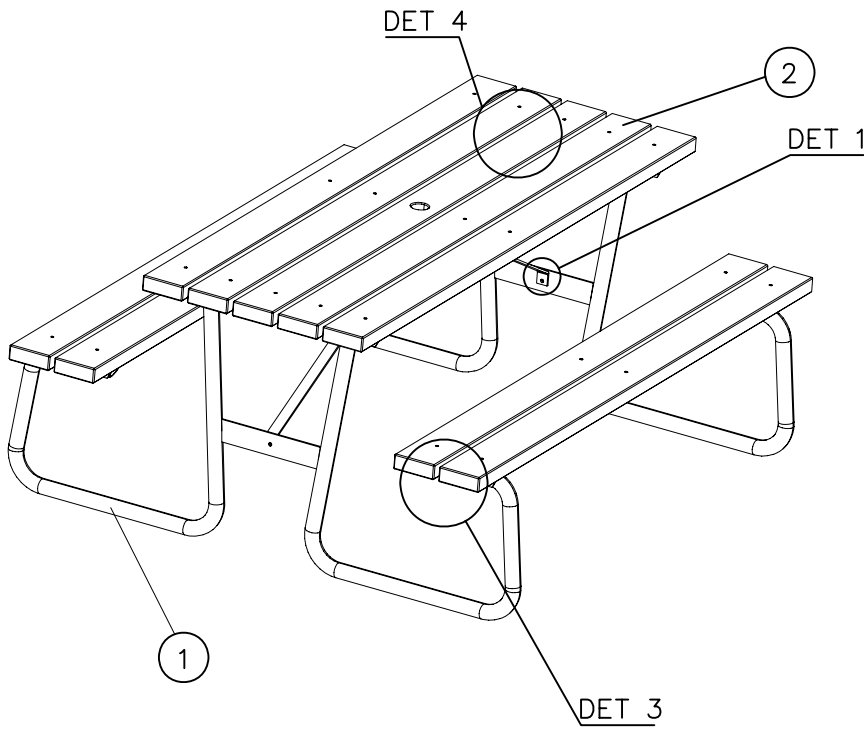
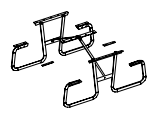
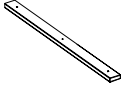
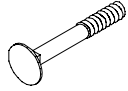

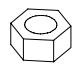
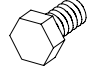
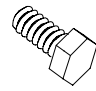
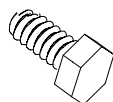


① N25911	PCS	② N25917	PCS
	1		9
③ N50855	PCS	④ N03816	PCS
	26		16
M8x55		8,4x16x1,5	
⑤ N01800	PCS	⑥ N01855	PCS
	40		12
M8		M8x55	
⑦ N01816	PCS	⑧ N01820	PCS
	2		2
M8x16		M8x20	





① N25911	PCS	② N25917	PCS
	1		9
③ N50855	PCS	④ N03816	PCS
	26		16
M8x55		8,4x16x1,5	
⑤ N01800	PCS	⑥ N01855	PCS
	40		12
M8		M8x55	
⑦ N01816	PCS	⑧ N01820	PCS
	2		2
M8x16		M8x20	

