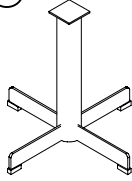
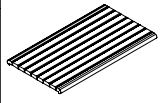



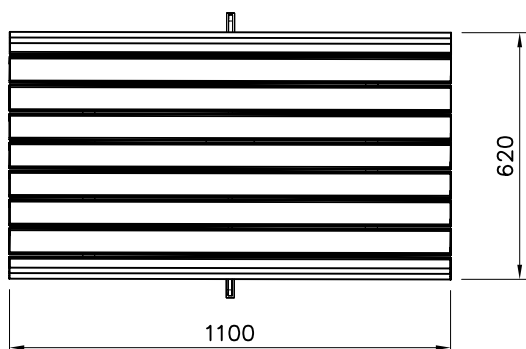
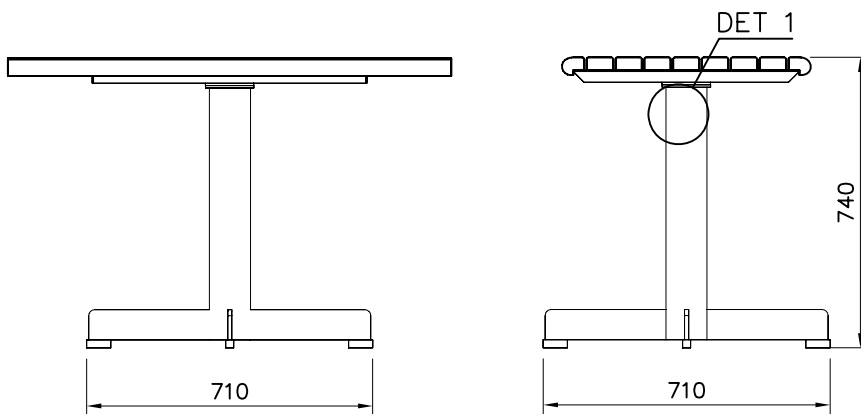
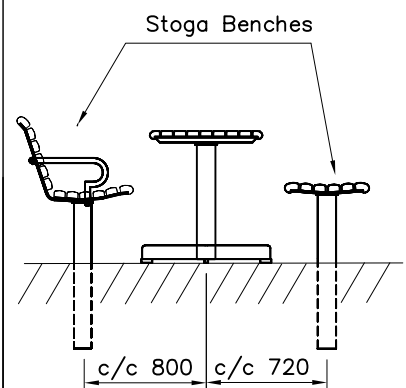


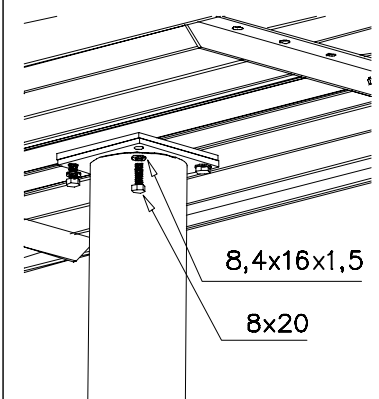
① N72513	ST	② N72518 Jarrah	ST
	1		1
		Furu N72531	
③ N01800	ST	④ N01820	ST
	4		4
M8		8x20	
⑤ N03816	ST		ST
	4		
8,4x16x1,5			
	ST		ST

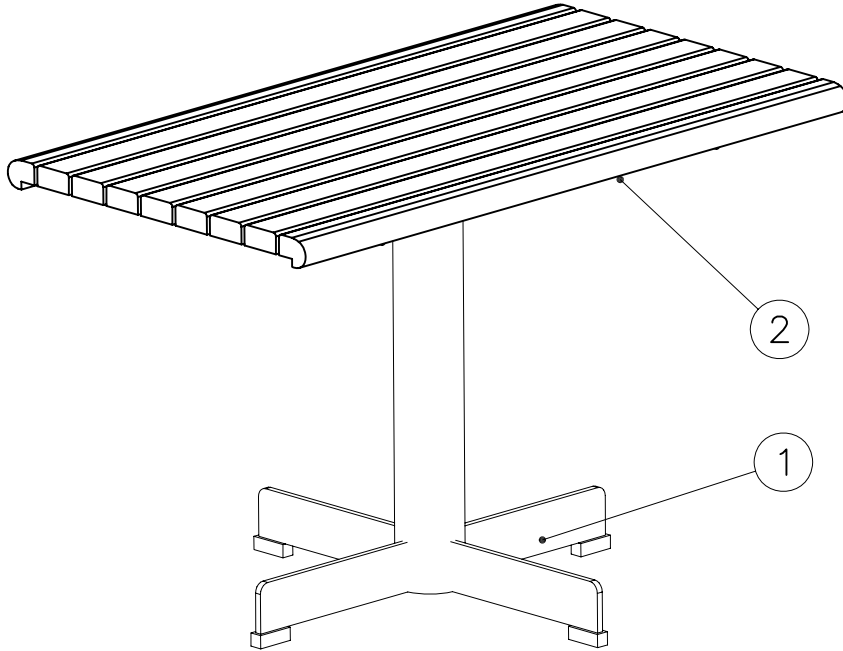


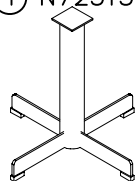
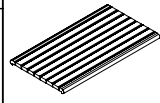



PLACEMENT EXAMPLE

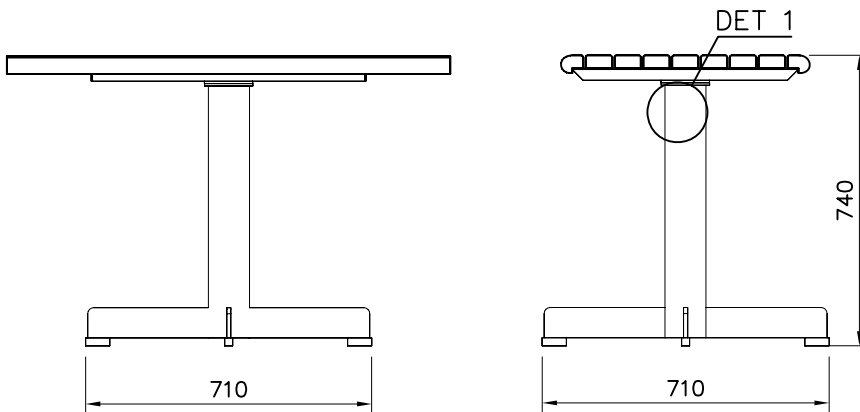


DET 1

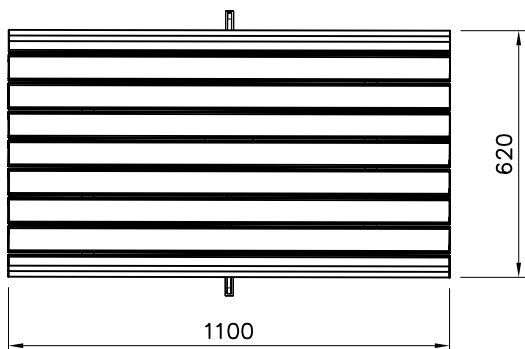
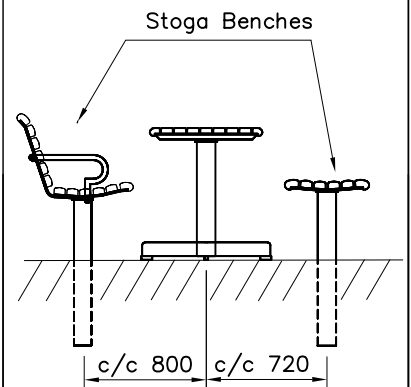




① N72513	ST	② N72518 Jarrah	ST
	1		1
		Furu N72531	
③ N01800	ST	④ N01820	ST
	4		4
M8		8x20	
⑤ N03816	ST		ST
	4		
8,4x16x1,5			
	ST		ST



PLACEMENT EXAMPLE



DET 1

