

# WINAM GROUP

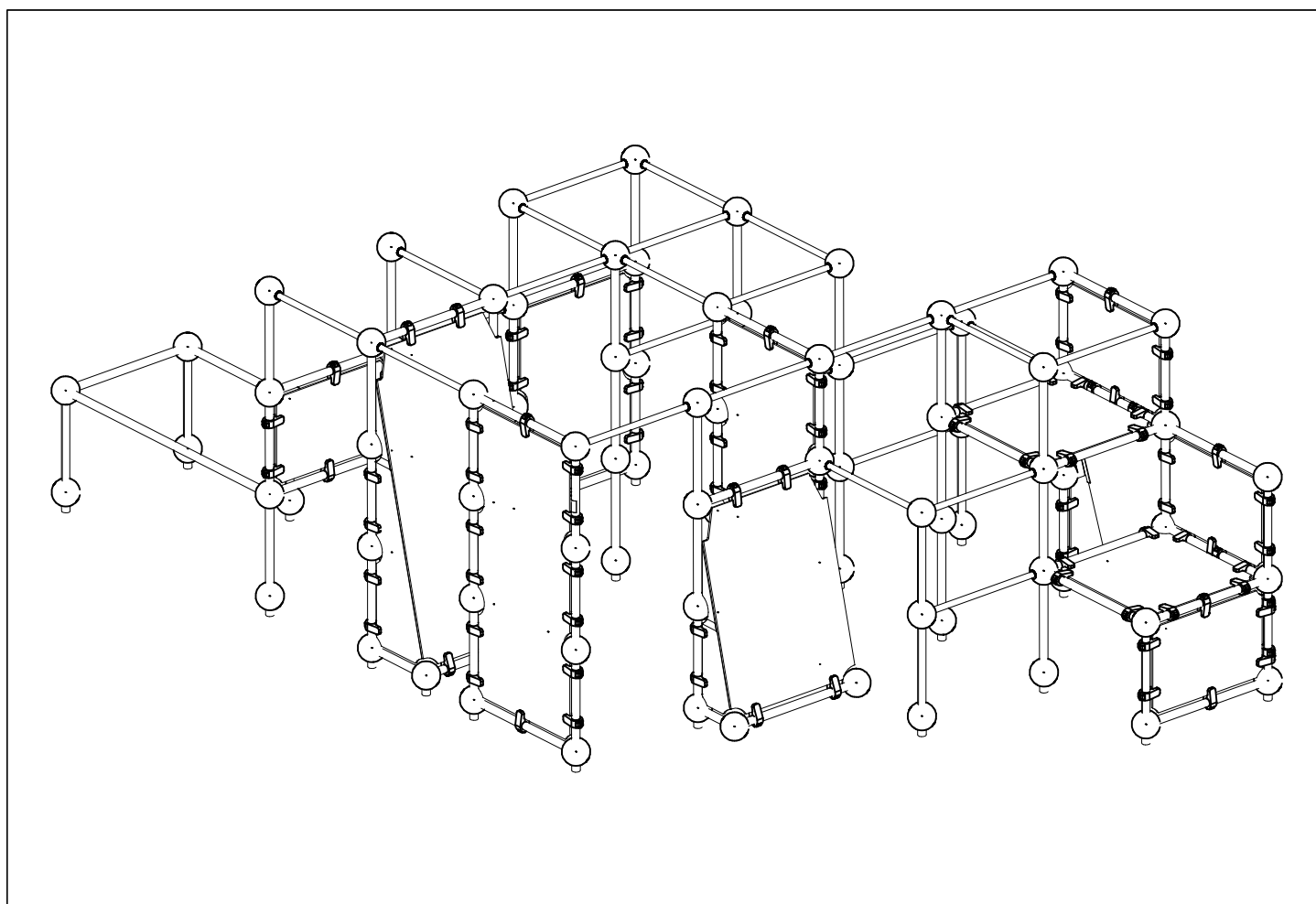


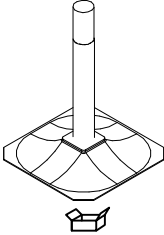

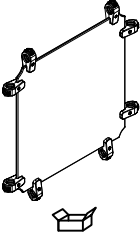
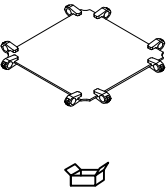
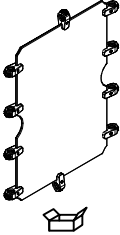
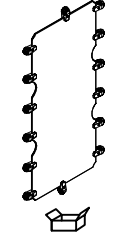
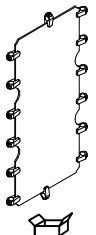
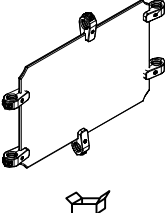
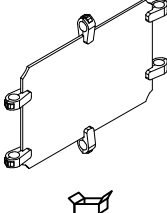
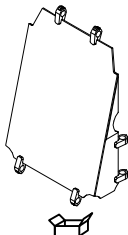
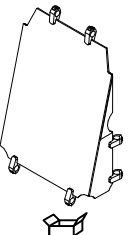
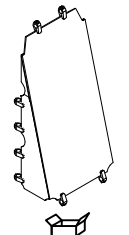

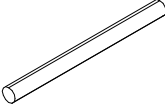
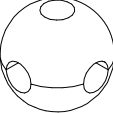
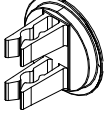
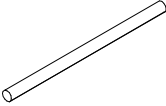
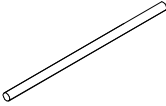

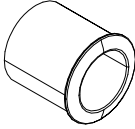
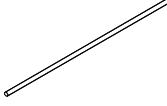
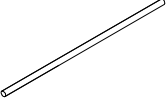
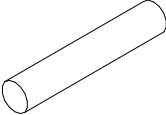
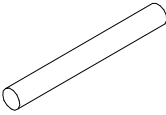
## PARKOUR

A SENNUSOHJE  
MONTERINGSANSVISNING  
INSTALLATION INSTRUCTION  
AUFBAUANLEITUNG  
NOTICE D'INSTALLATION

DATE: 23.2.2015

## 220526



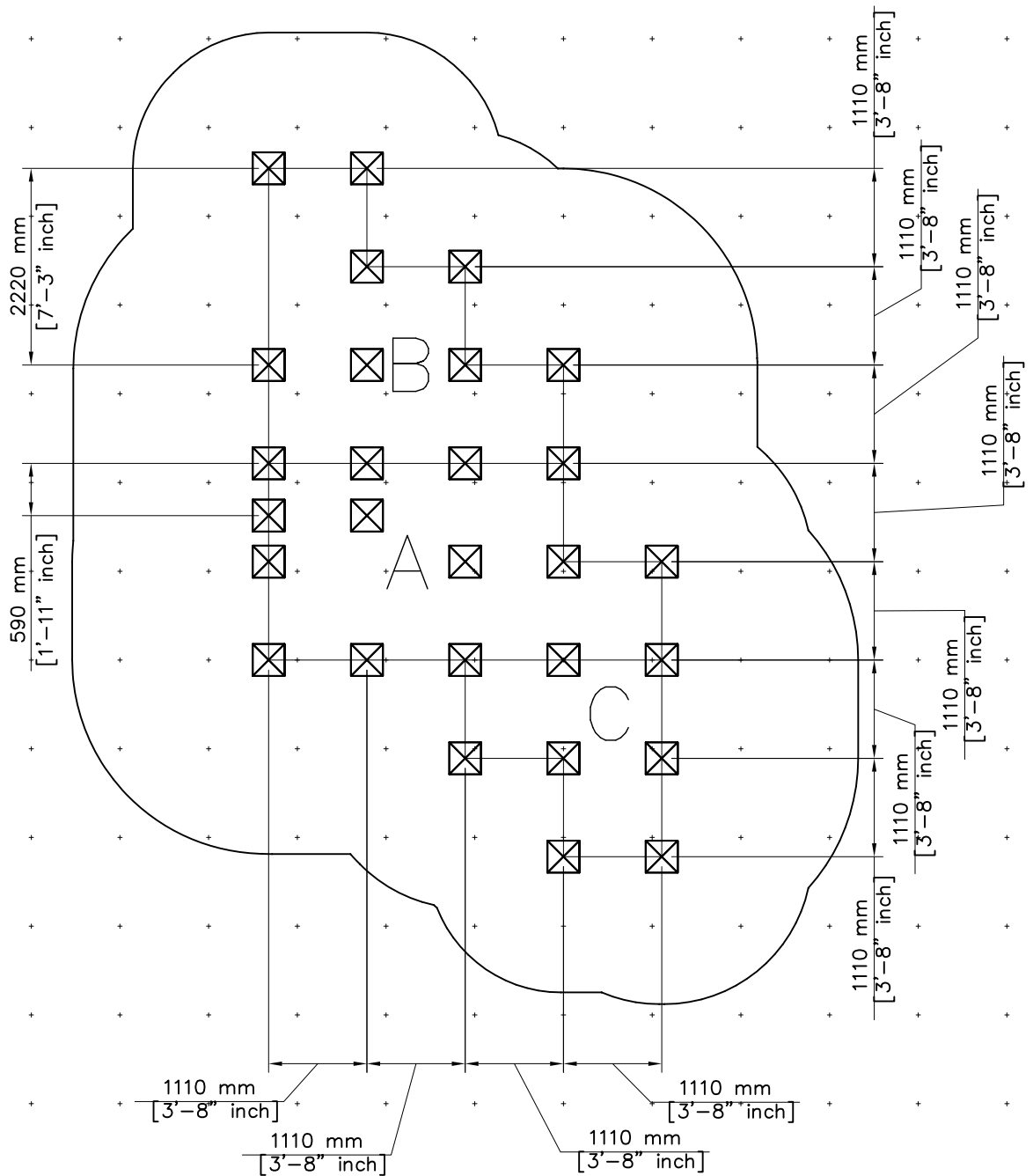
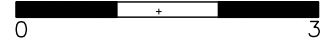
 <p>701985</p> <p>PCS 28</p>	 <p>702341</p> <p>PCS 1</p> <p>90x50</p>	 <p>703456</p> <p>PCS 1</p>	 <p>703459</p> <p>PCS 1</p>	 <p>703479</p> <p>PCS 1</p>	 <p>703480</p> <p>PCS 1</p>
 <p>703484</p> <p>PCS 1</p>	 <p>703486</p> <p>PCS 2</p>	 <p>703487</p> <p>PCS 3</p>	 <p>703898</p> <p>PCS 1</p>	 <p>703899</p> <p>PCS 1</p>	 <p>703902</p> <p>PCS 1</p>
 <p>901991</p> <p>PCS 3</p> <p>L 1493</p>	 <p>902022</p> <p>PCS 5</p> <p>L 710</p>	 <p>902134</p> <p>PCS 97</p>	 <p>904747</p> <p>PCS 298</p> <p>60x60x2</p>	 <p>902424</p> <p>PCS 29</p> <p>L 1034</p>	 <p>904015</p> <p>PCS 17</p> <p>Ø44.5x1034</p>
 <p>904032</p> <p>PCS 18</p> <p>L 2278</p>	 <p>904100</p> <p>PCS 54</p> <p>44.5-60.3</p>	 <p>904102</p> <p>PCS 5</p> <p>Ø44.5x2148</p>	 <p>904130</p> <p>PCS 1</p> <p>L 2148</p>	 <p>904413</p> <p>PCS 4</p> <p>L 323</p>	 <p>904414</p> <p>PCS 2</p> <p>L 515</p>
<p>PCS</p>	<p>PCS</p>	<p>PCS</p>	<p>PCS</p>	<p>PCS</p>	<p>PCS</p>
<p>PCS</p>	<p>PCS</p>	<p>PCS</p>	<p>PCS</p>	<p>PCS</p>	<p>PCS</p>
<p>PCS</p>	<p>PCS</p>	<p>PCS</p>	<p>PCS</p>	<p>PCS</p>	<p>PCS</p>

EN/AS Impact Area 72.7 m<sup>2</sup> (783 sq ft)

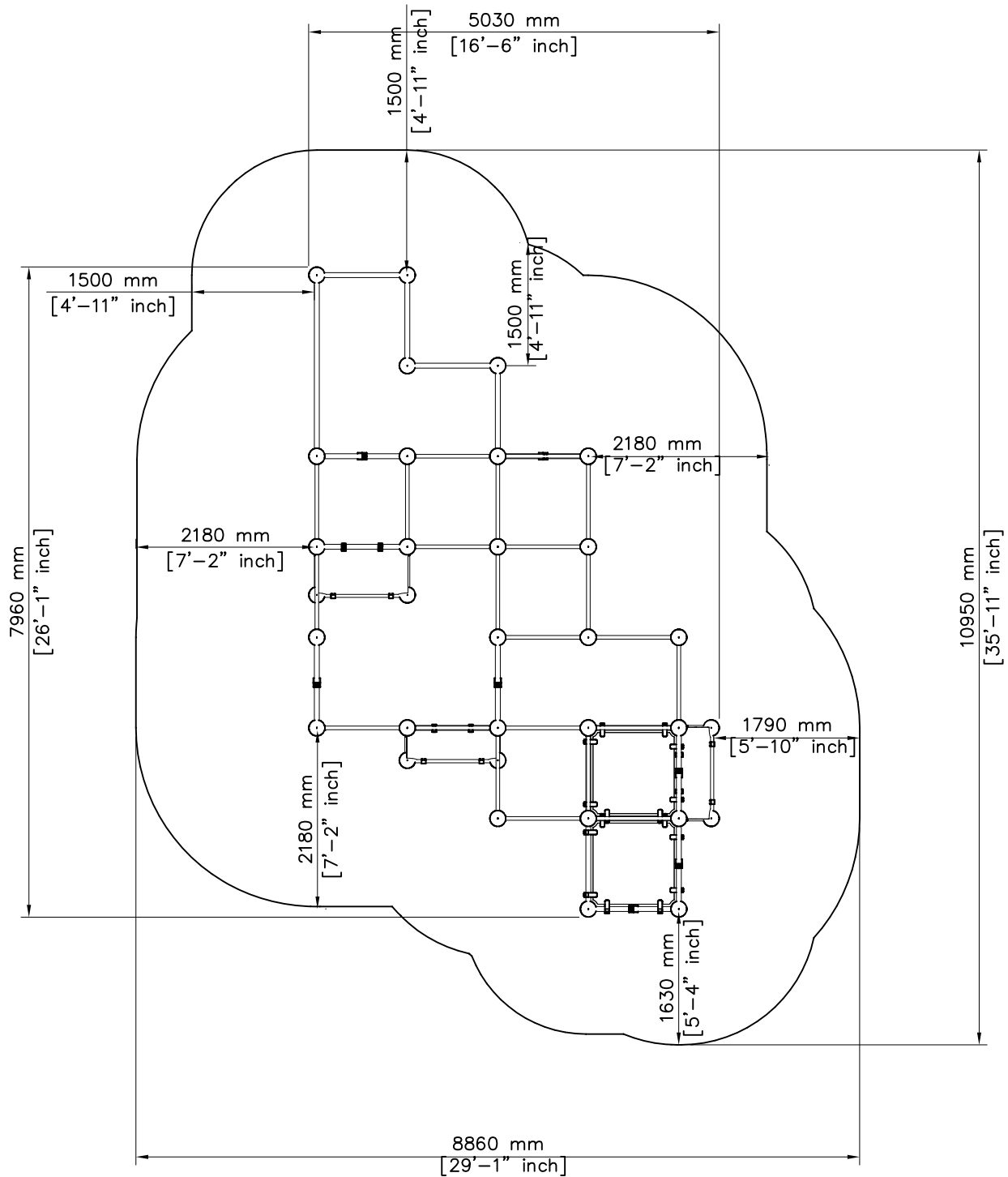
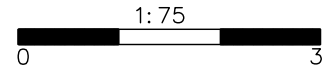
Falling Space Area 72.7 m<sup>2</sup> (783 sq ft)

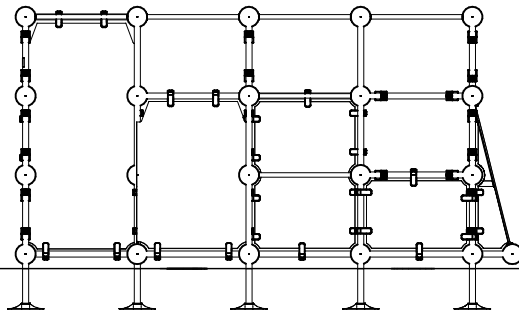
Grid size = 1000 mm (40" in)

1:75



- EN/AS Impact Area 72.7 m<sup>2</sup> (783 sq ft)
- Falling Space Area 72.7 m<sup>2</sup> (783 sq ft)
- Max Falling Height 2530 mm (8'-4" in)





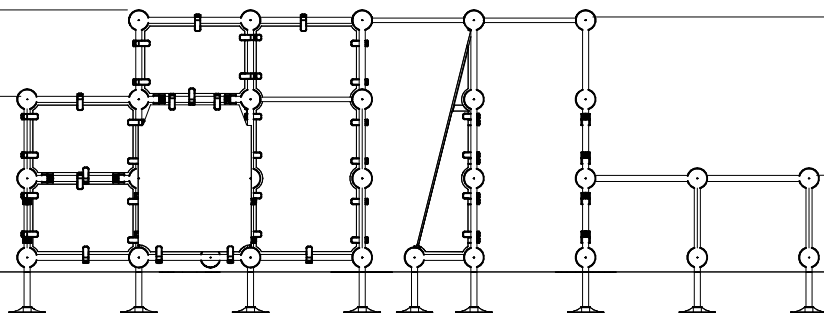
2600 mm  
[8'-6" inch]

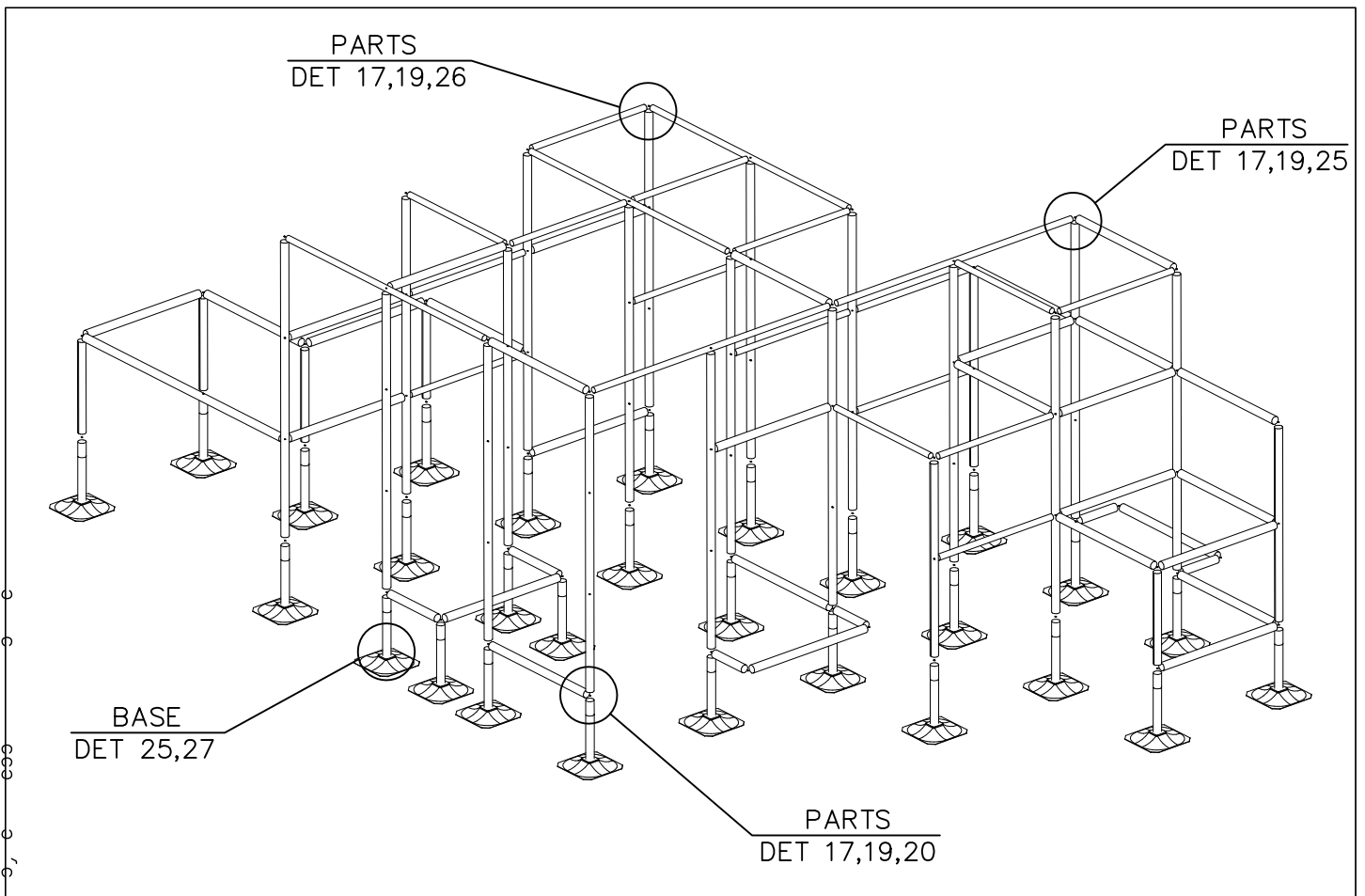
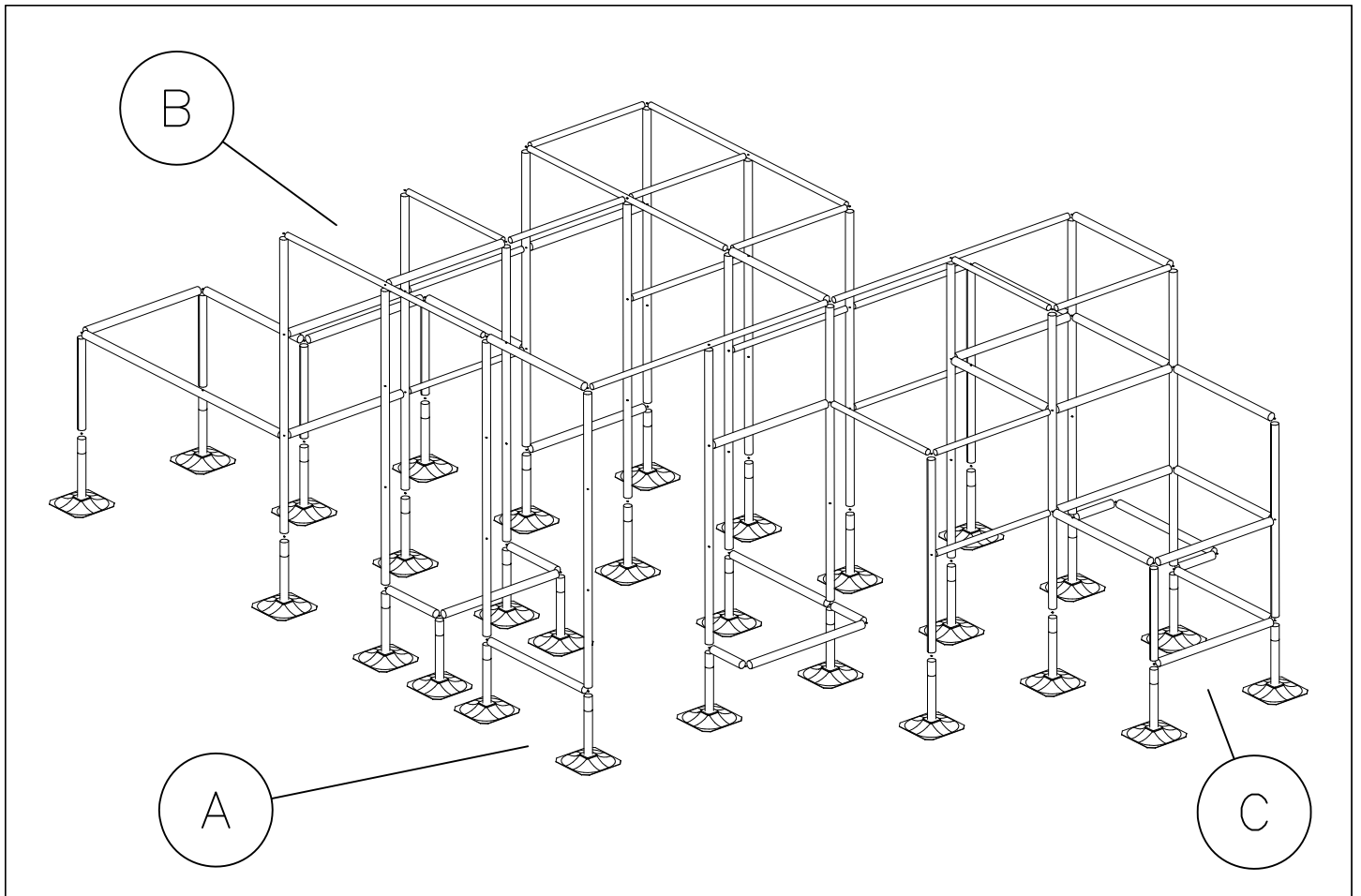
1740 mm  
[5'-9" inch]

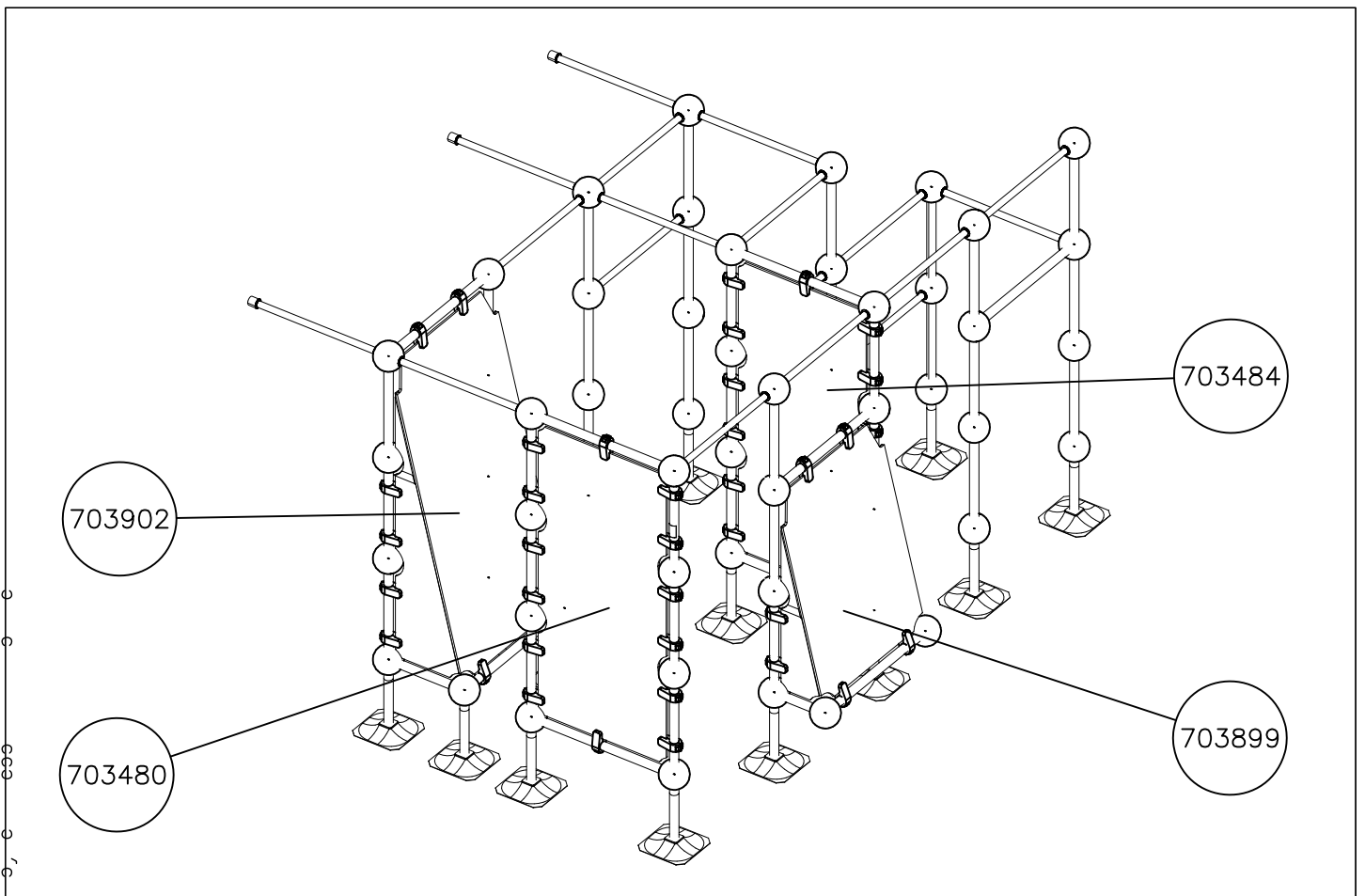
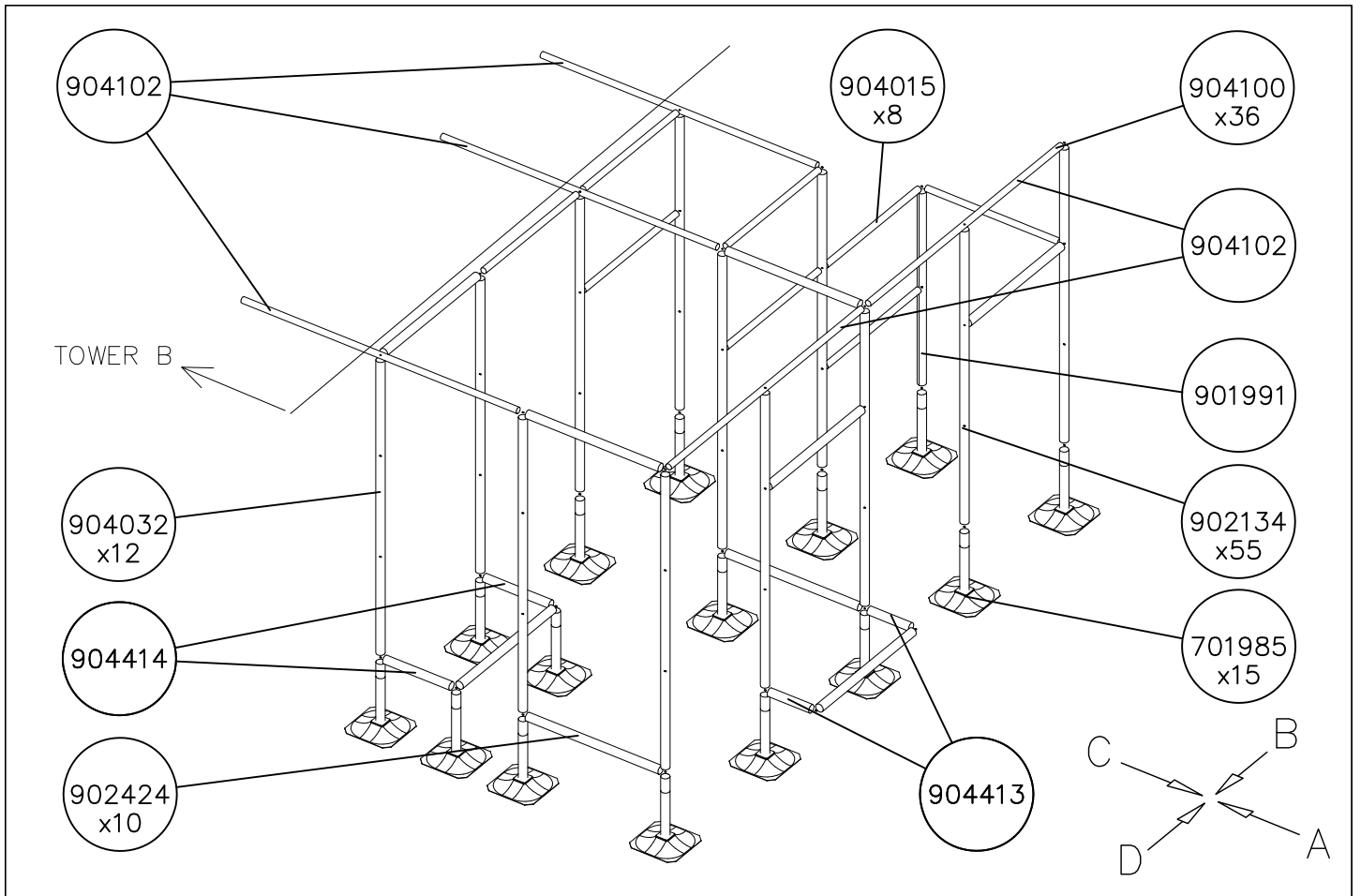
2530 mm  
[8'-4" inch]

960 mm  
[3'-2" inch]

0 mm  
[0" inch]

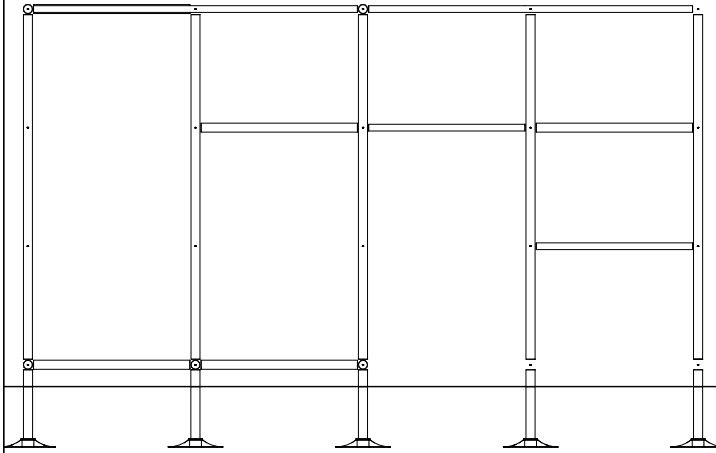




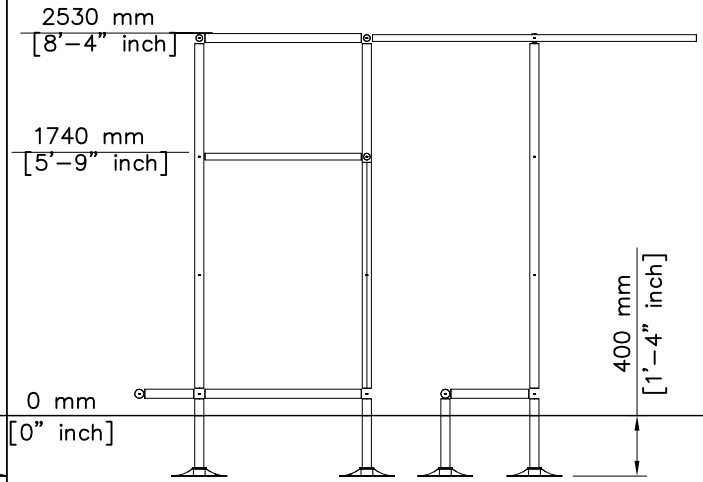


1:50

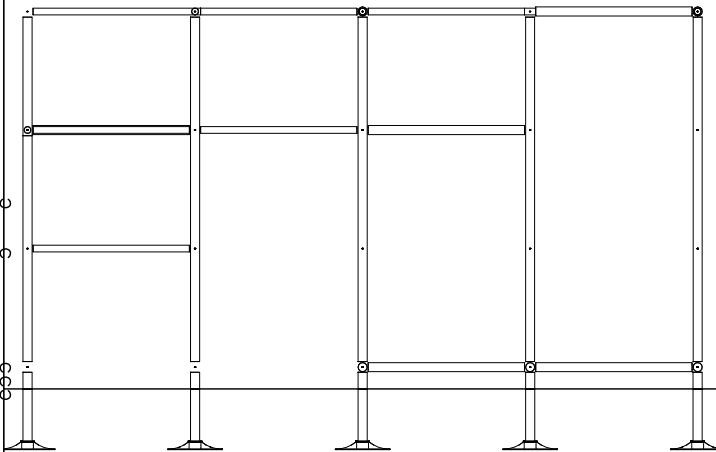
(A)



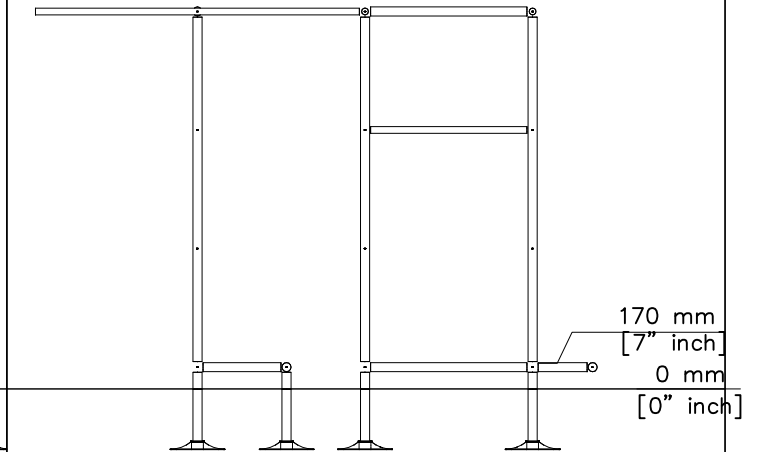
(B)



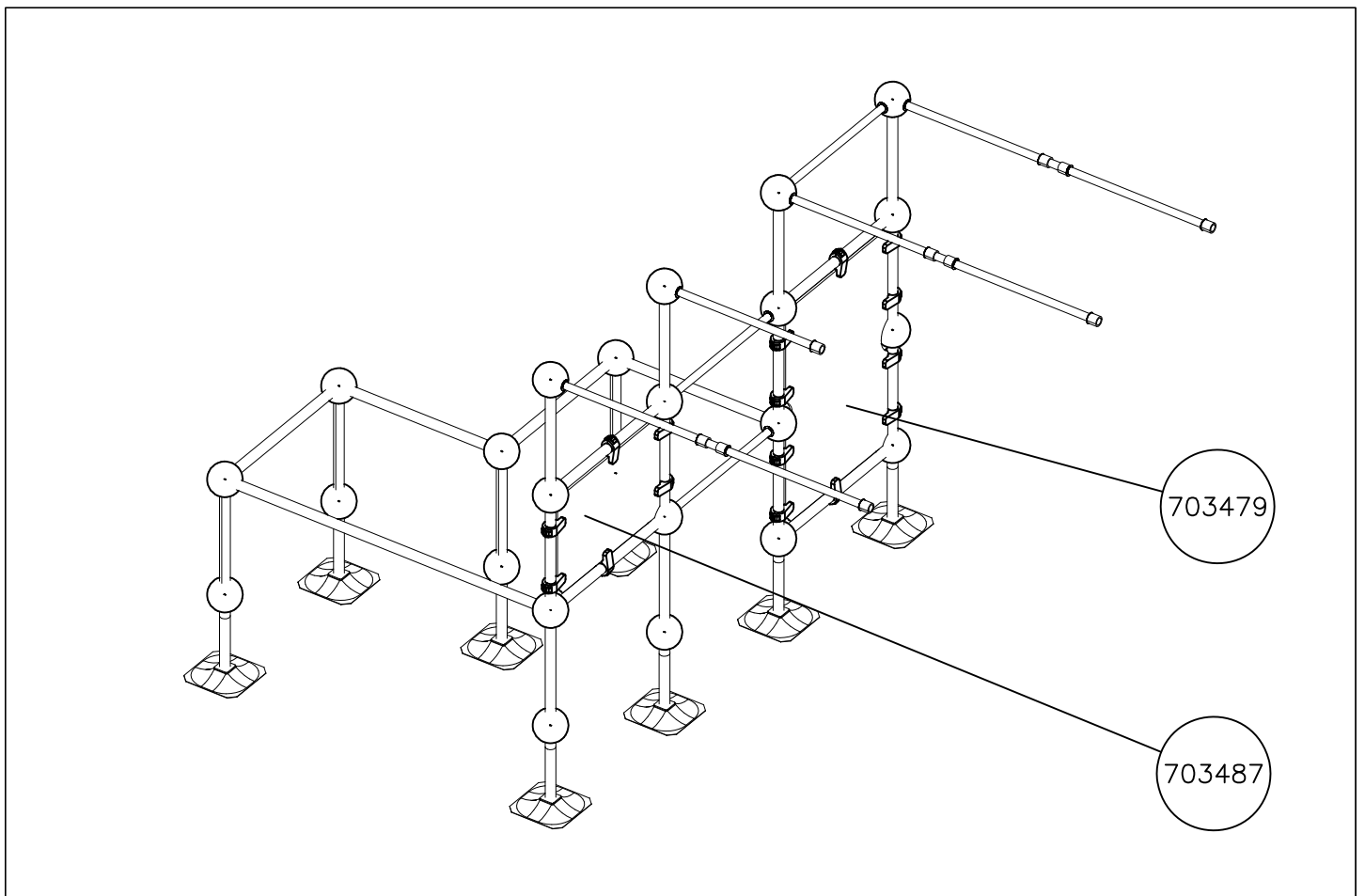
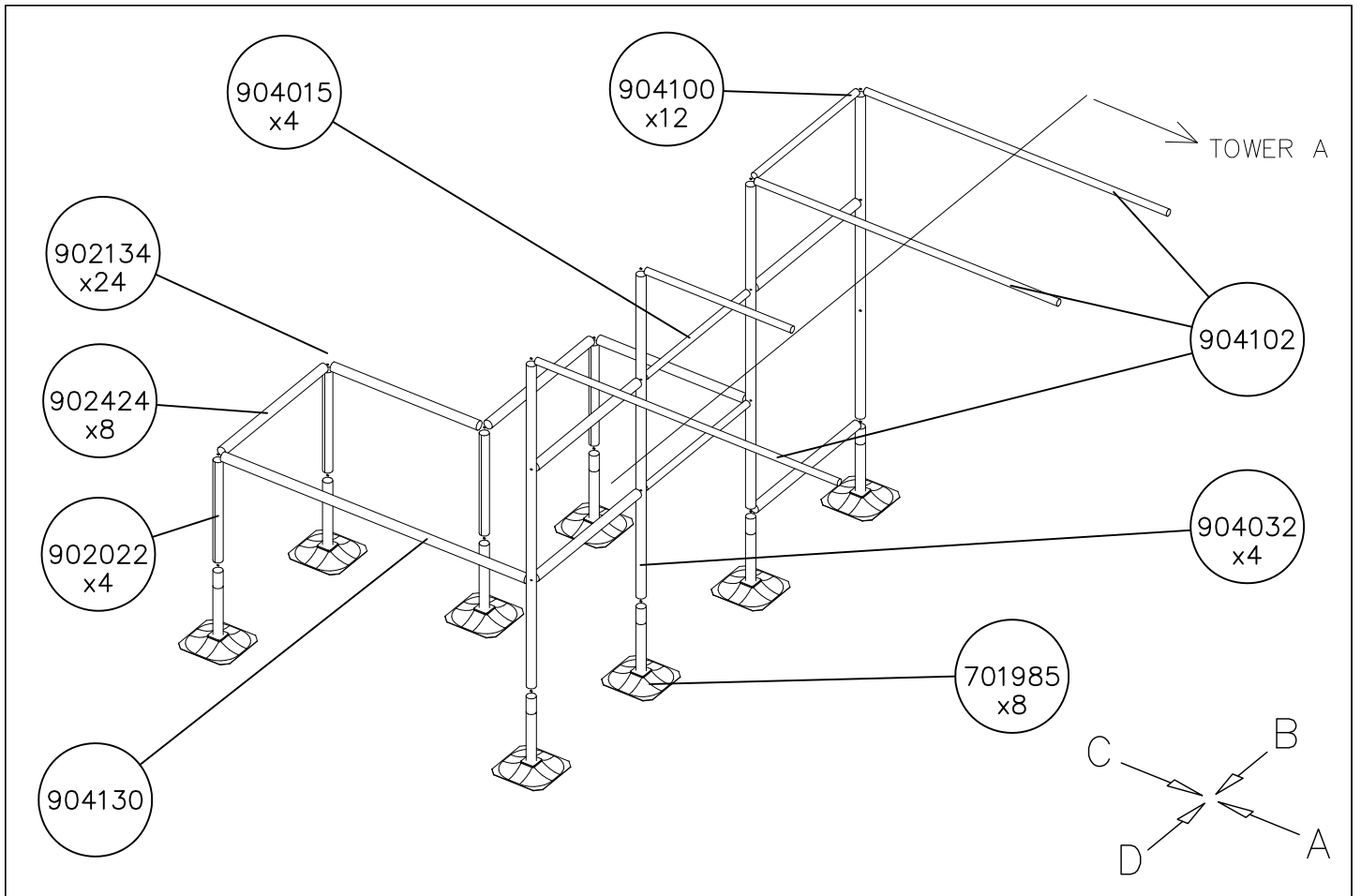
(C)



(D)



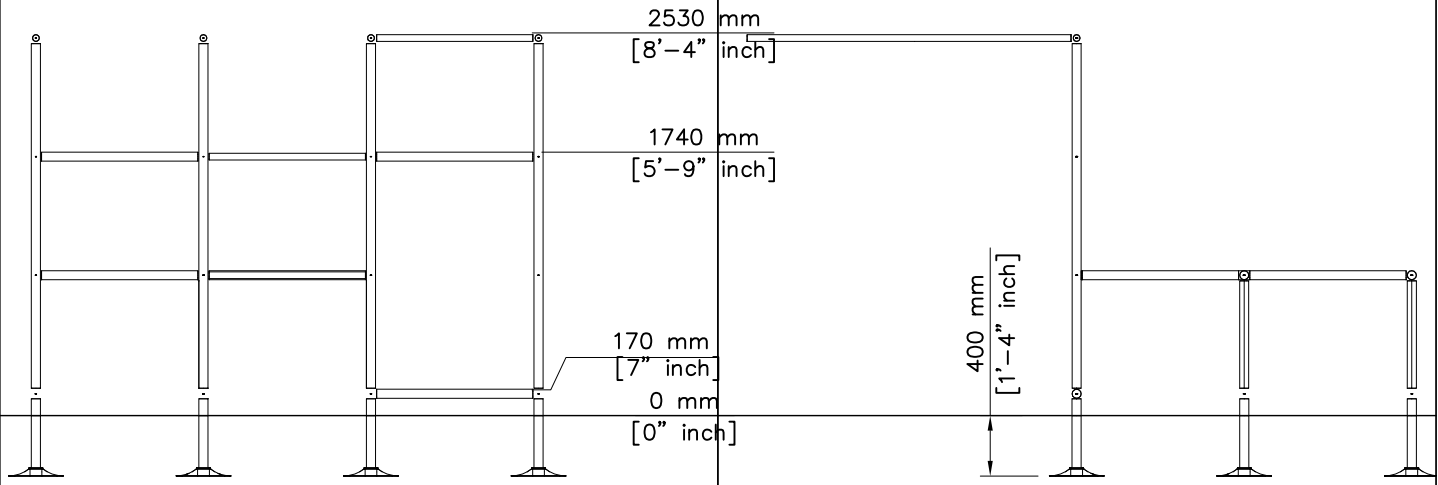




1:50

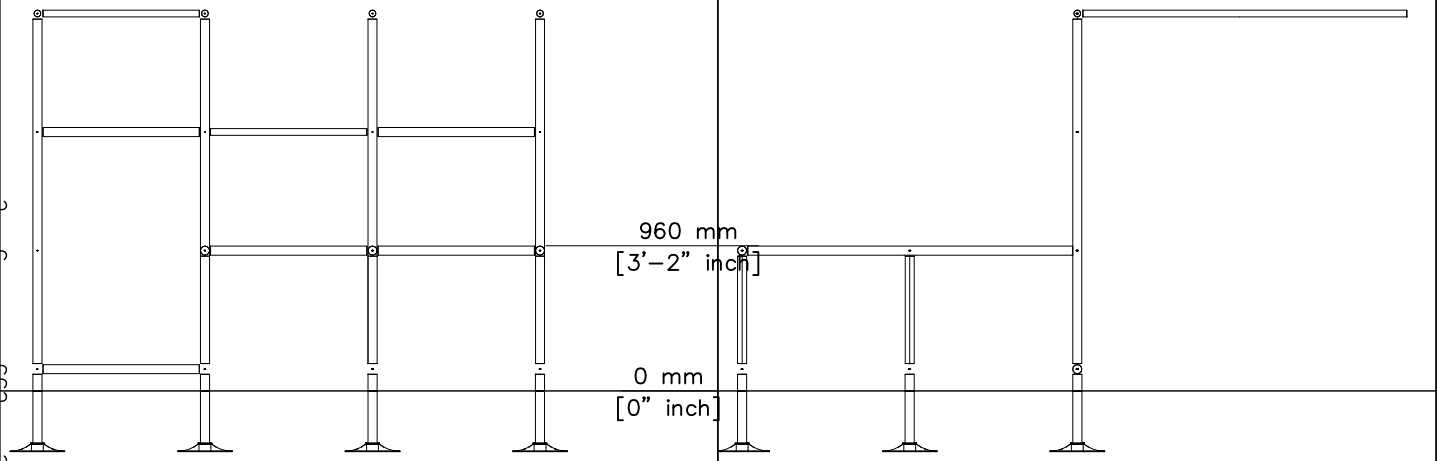
A

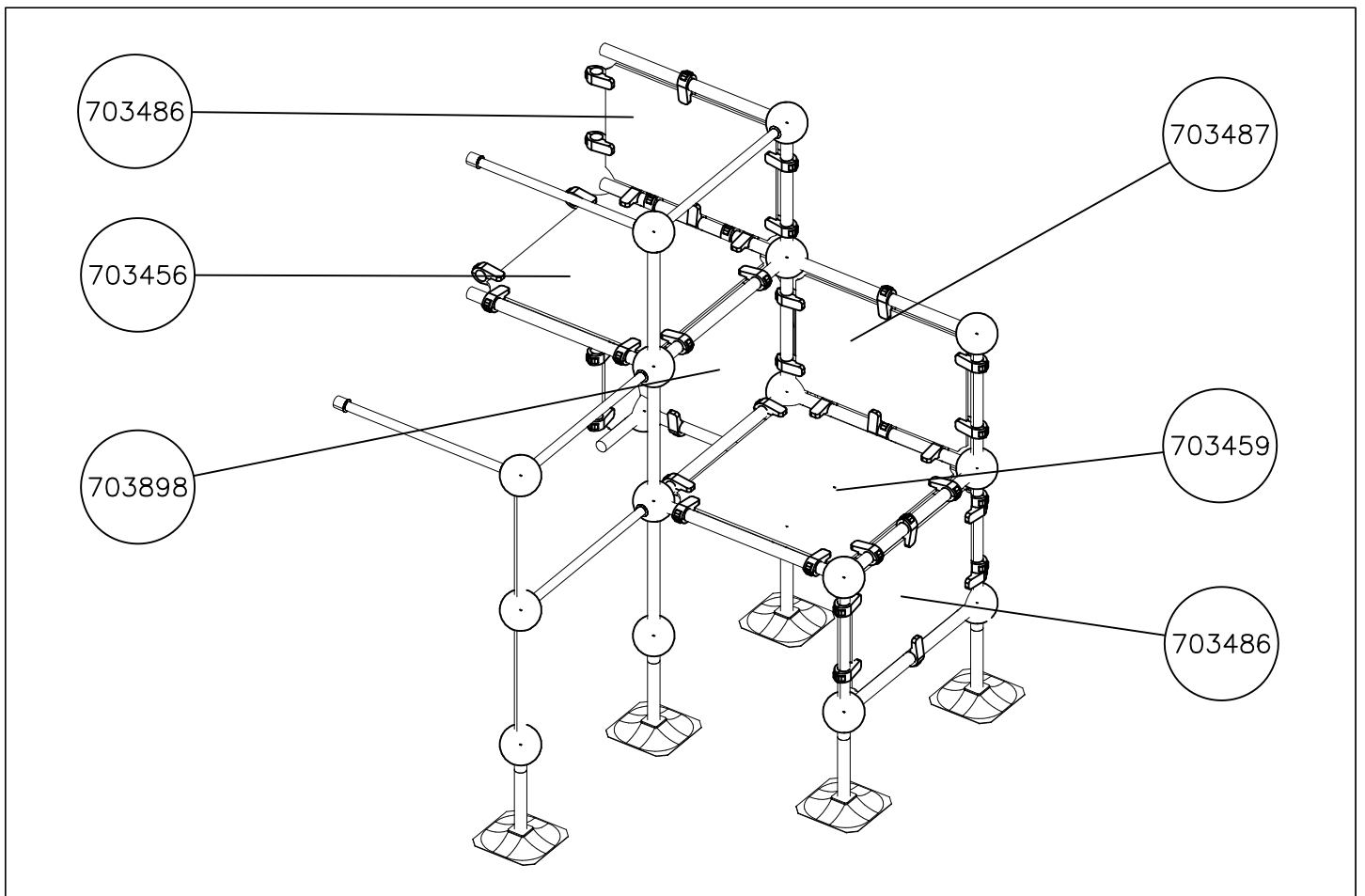
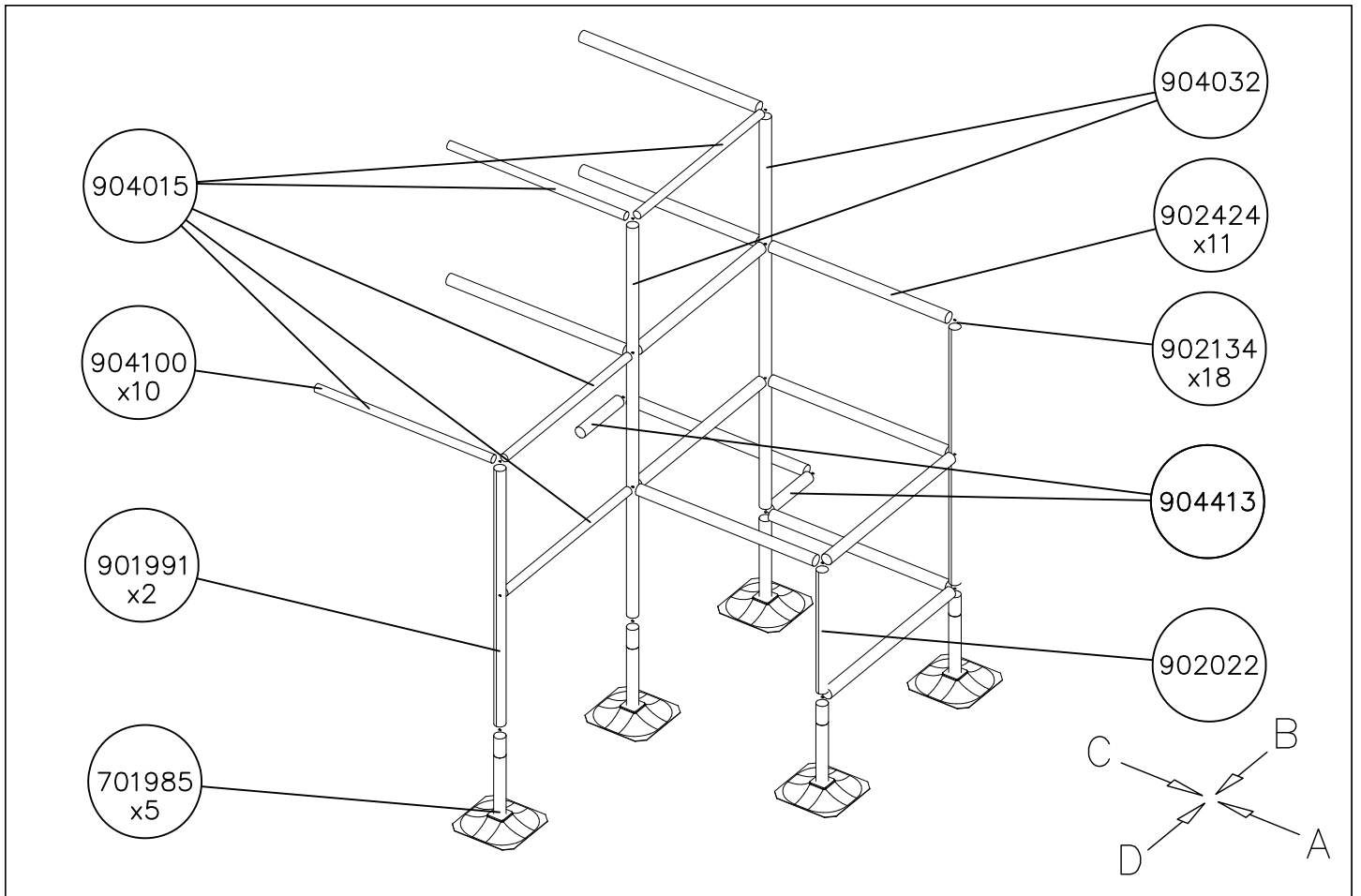
B

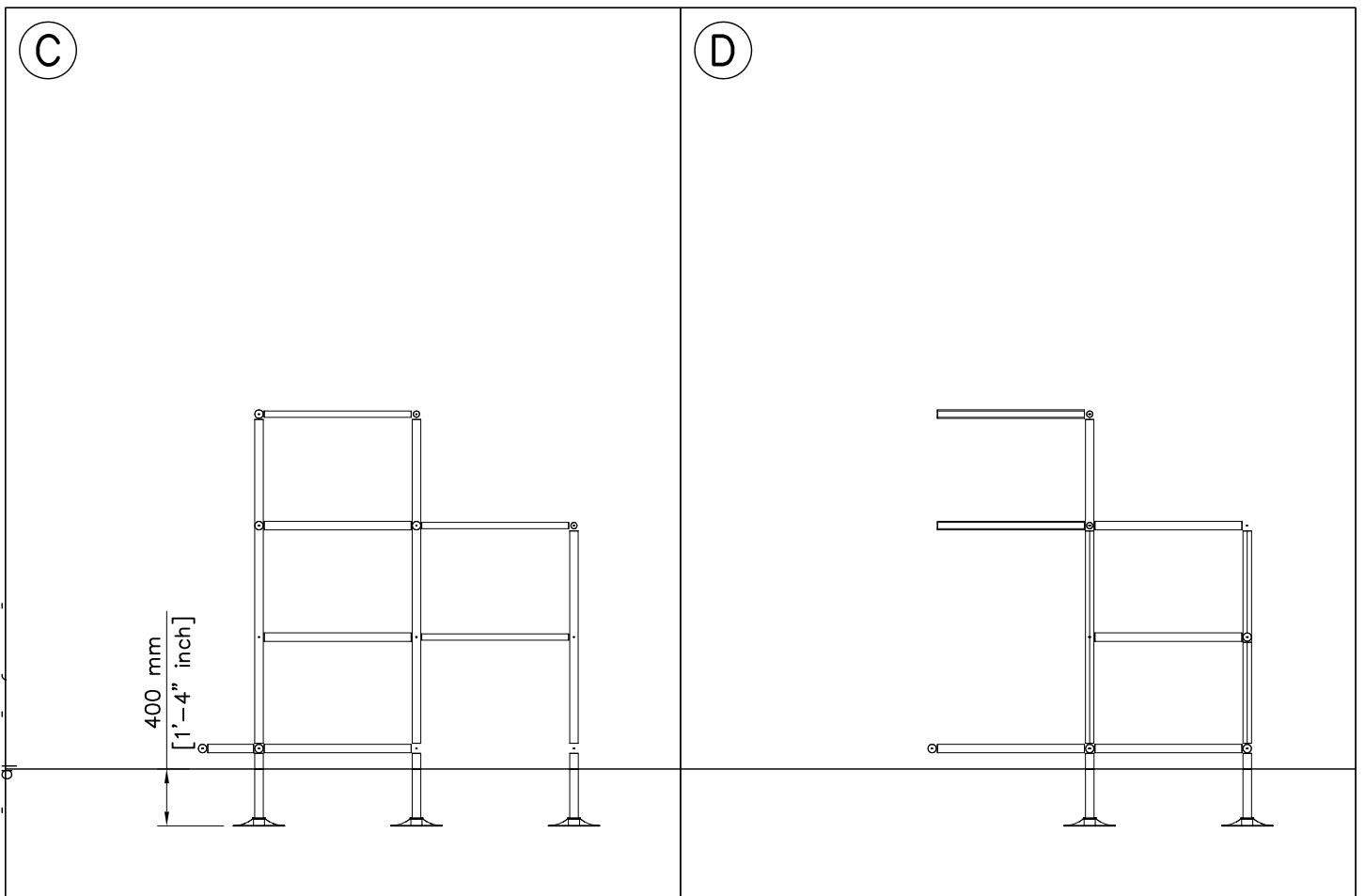
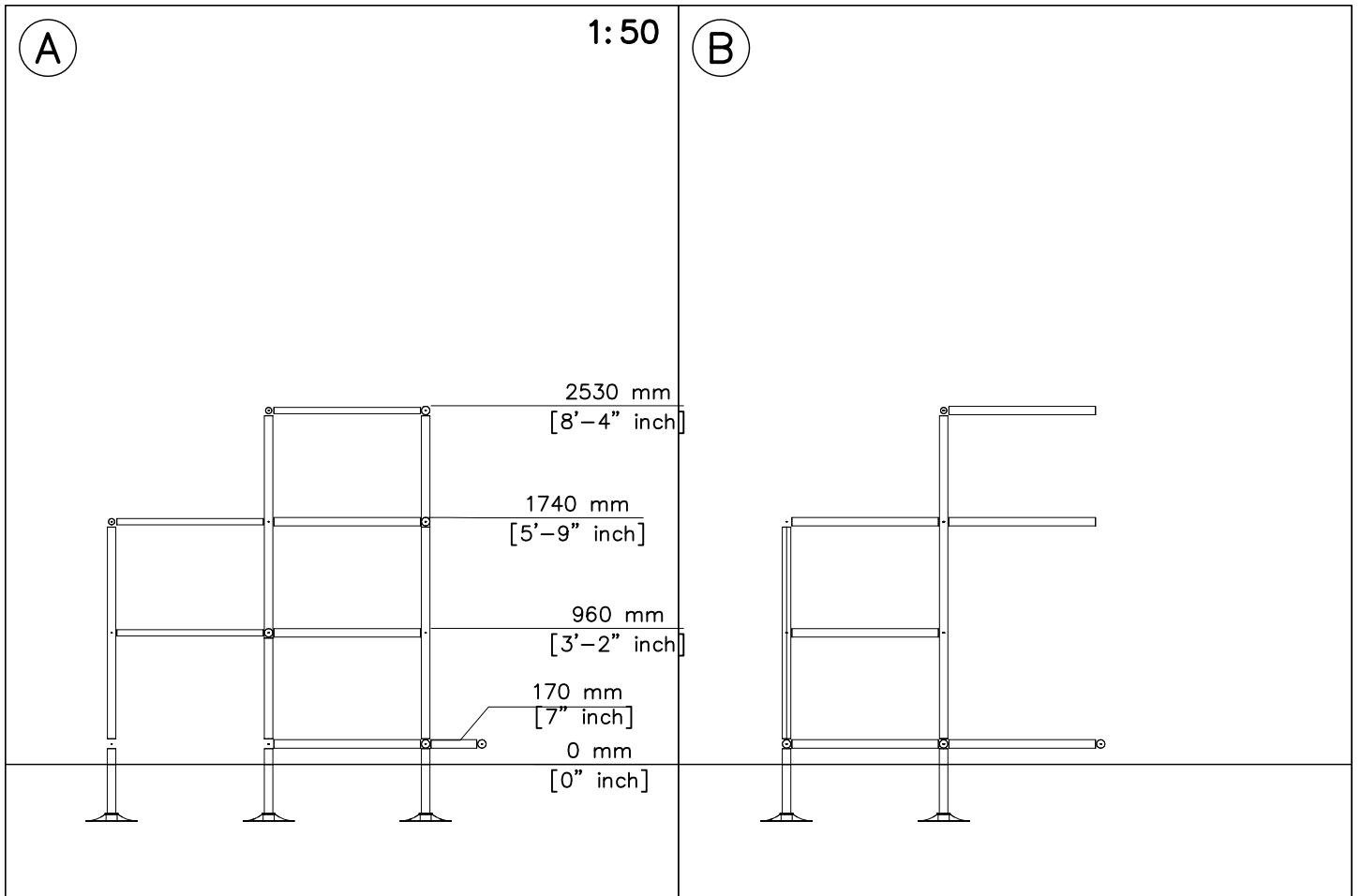


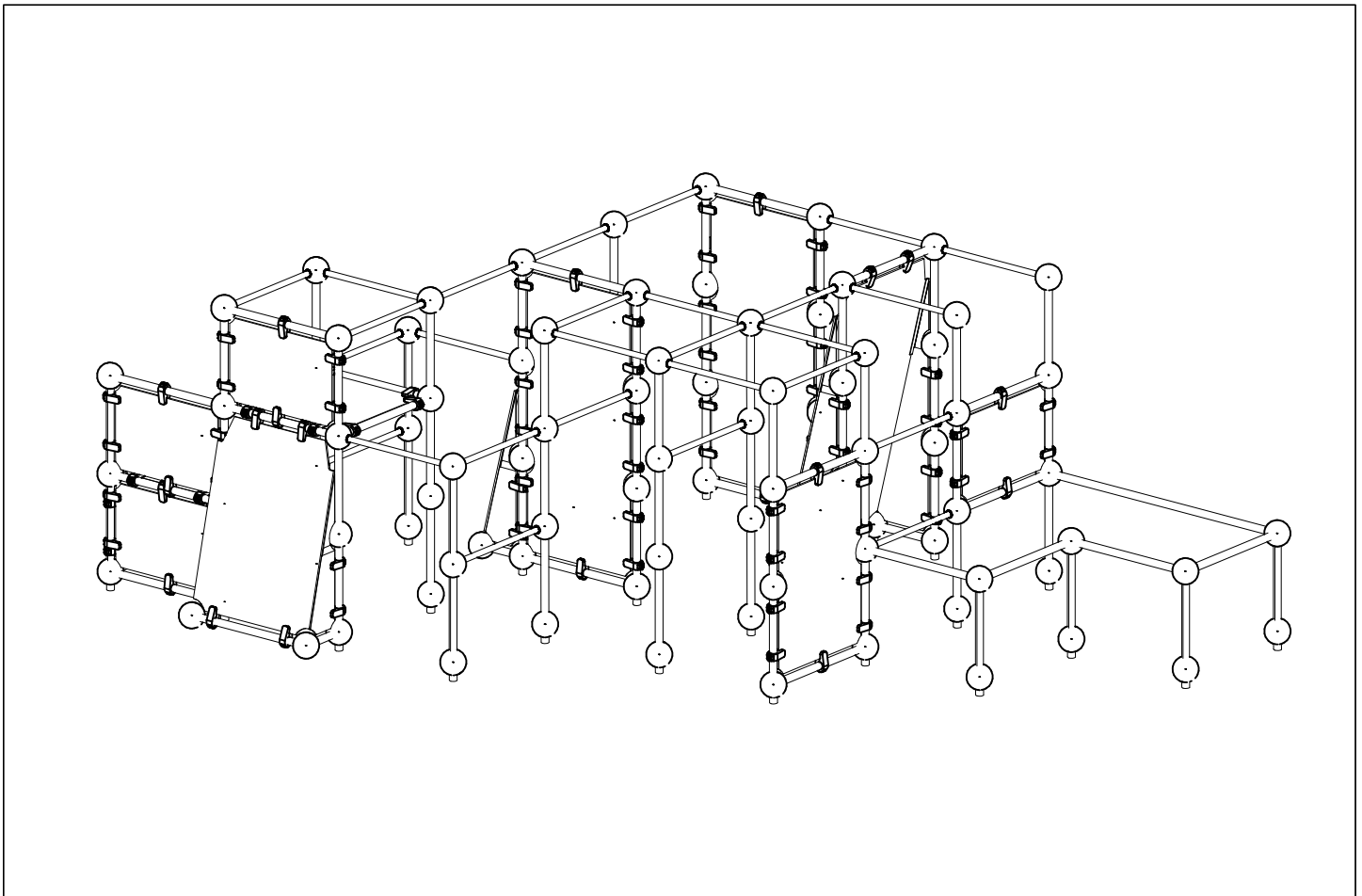
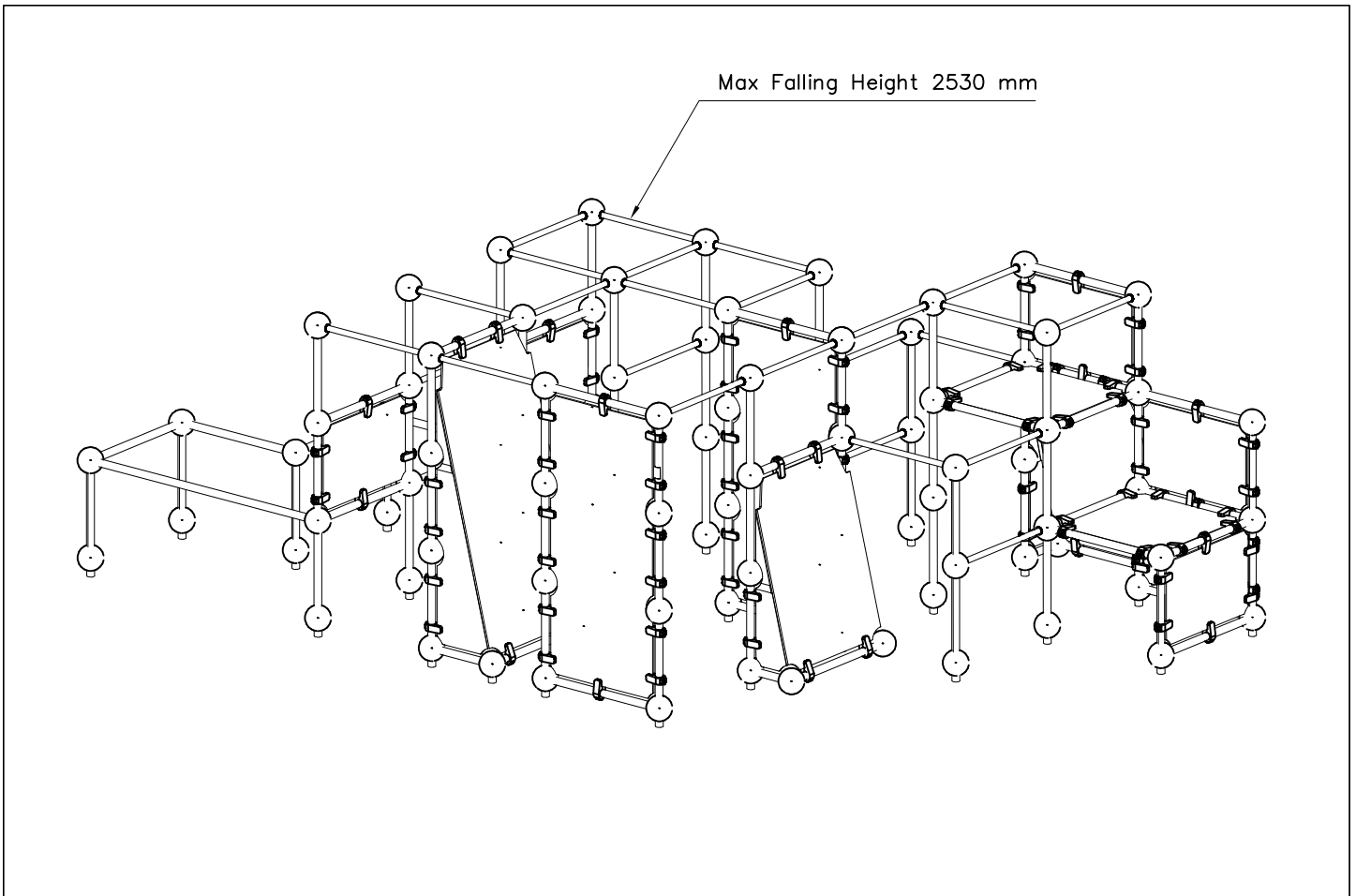
C

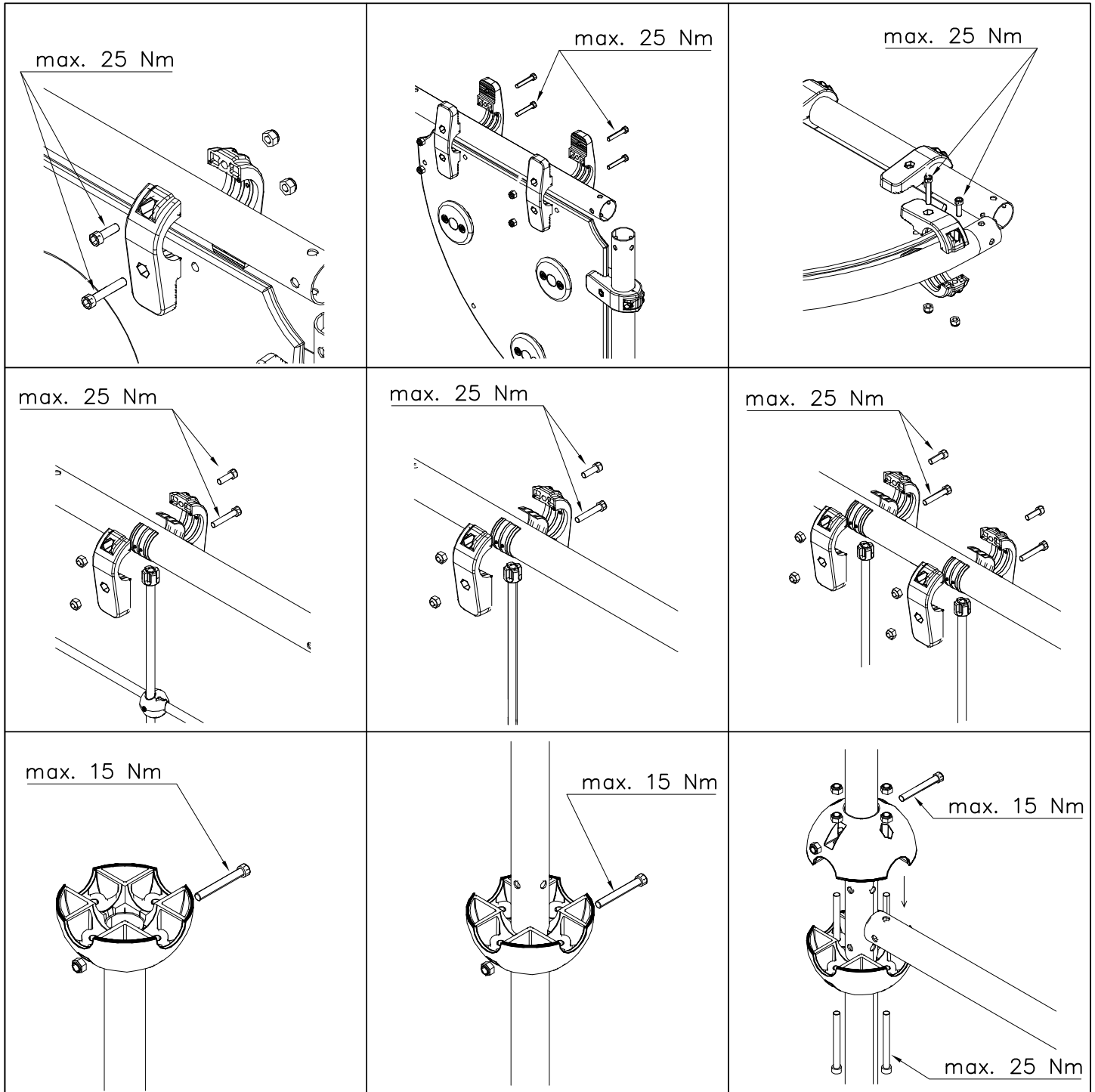
D







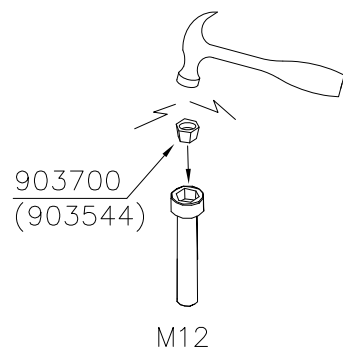
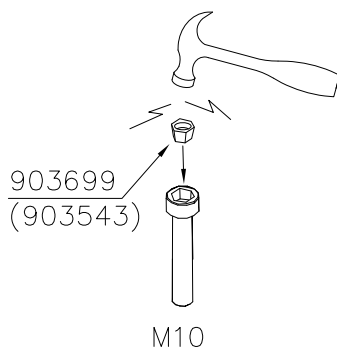


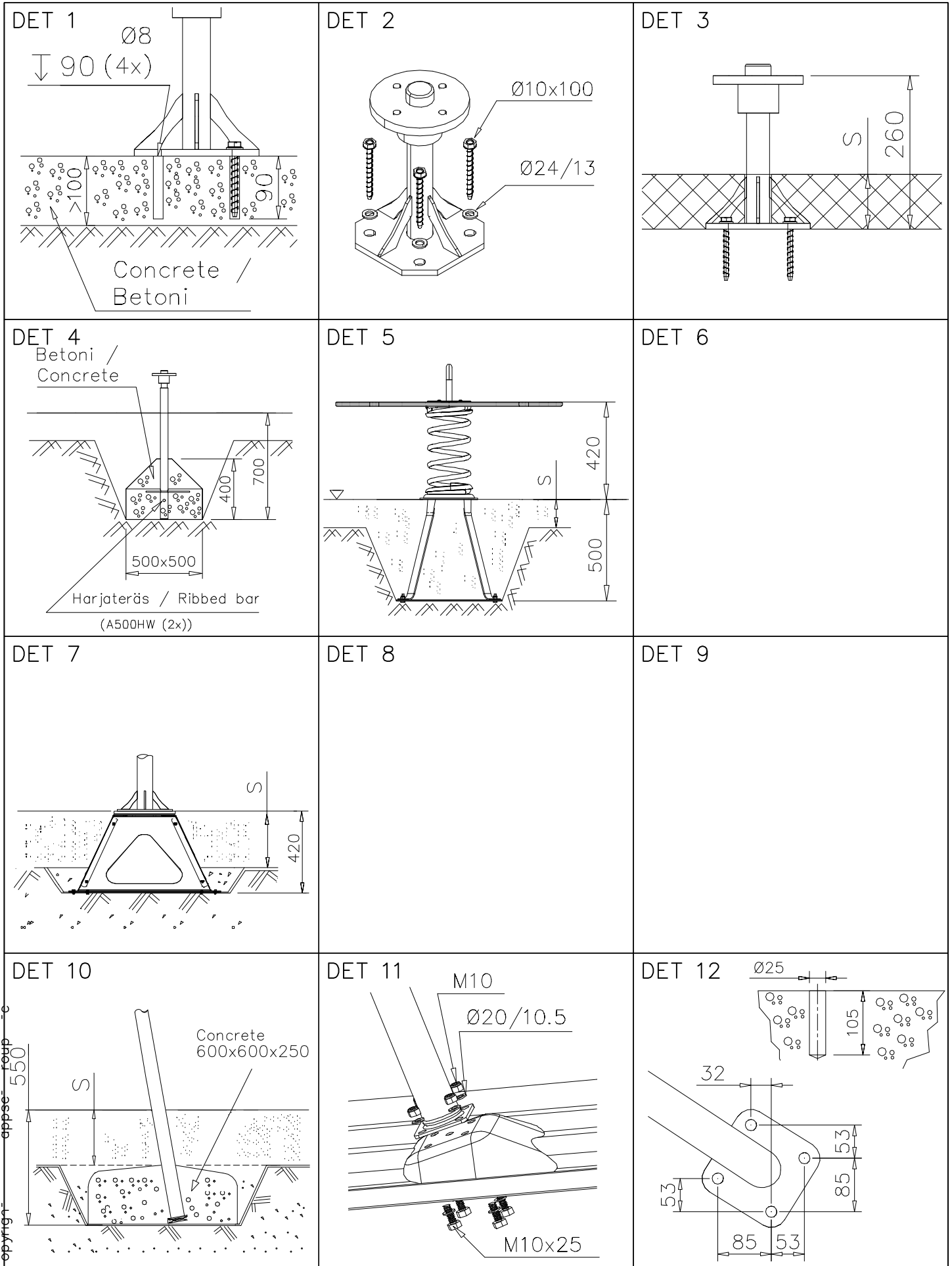


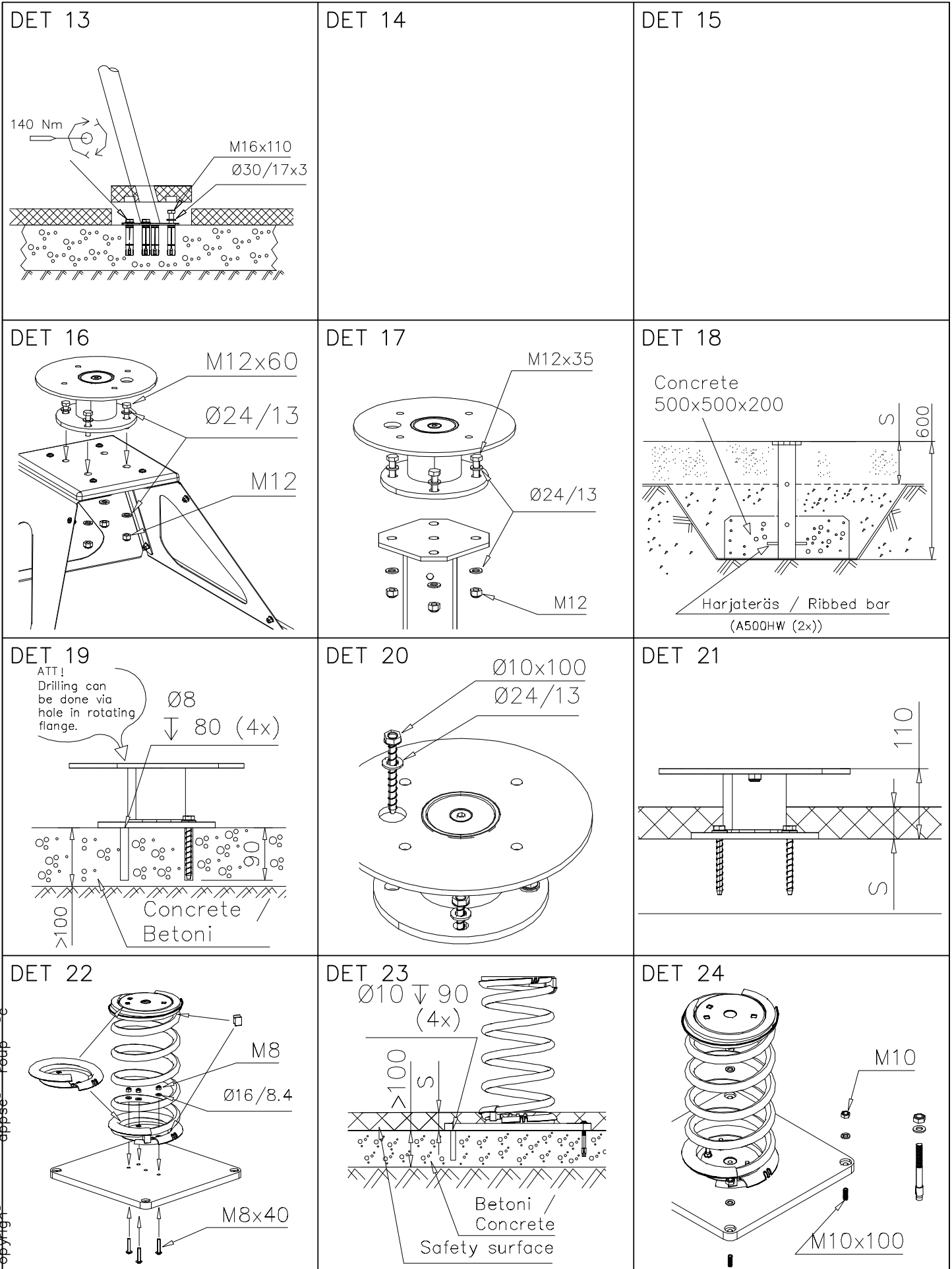
Security plugs are included only for selected products.

Hox!  
Pultit on kiristettävä lopulliseen kireyteen, ennen turvapinnien asennusta.

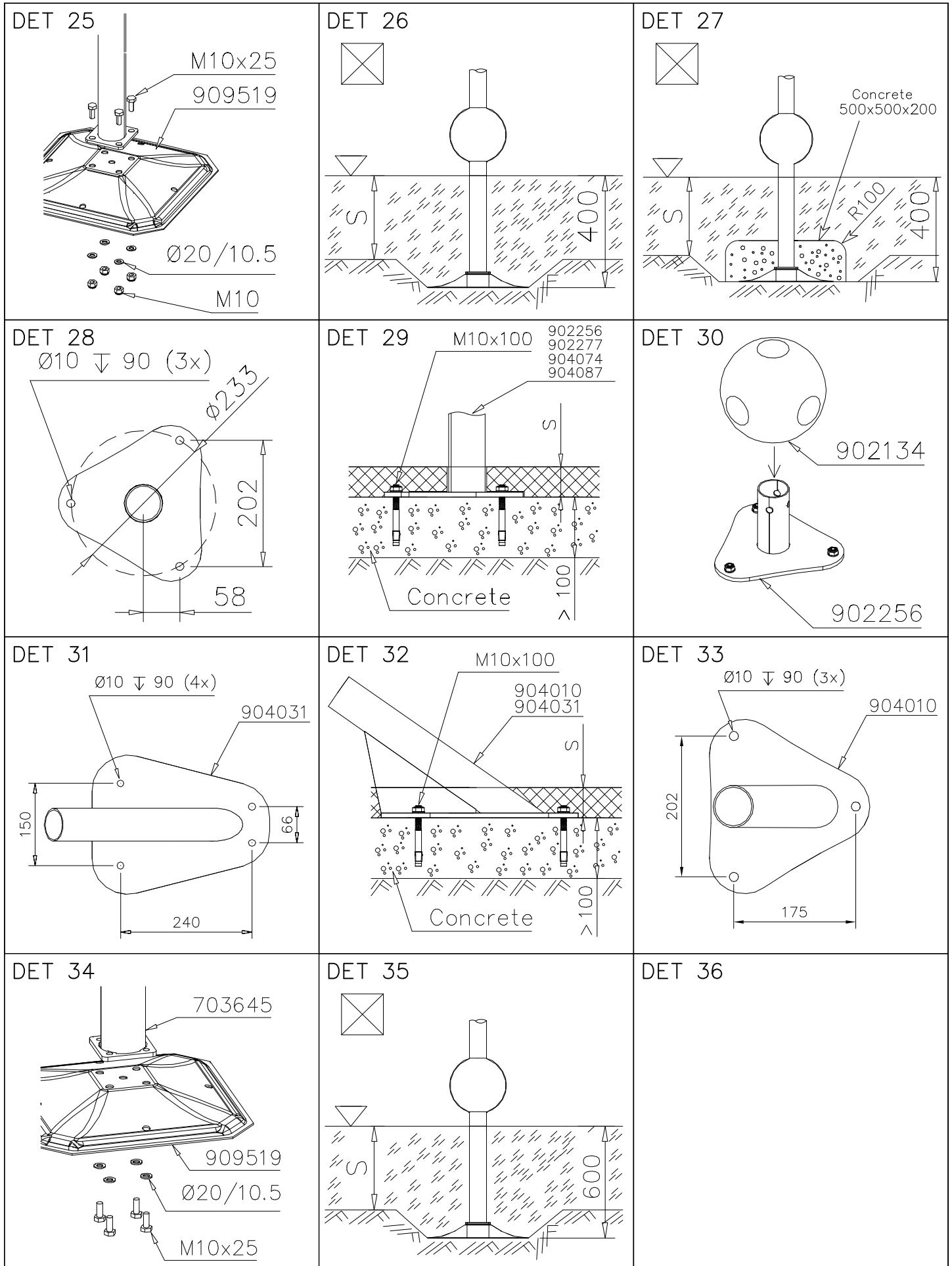
Note!  
Tighten bolts properly, before installing security plugs.

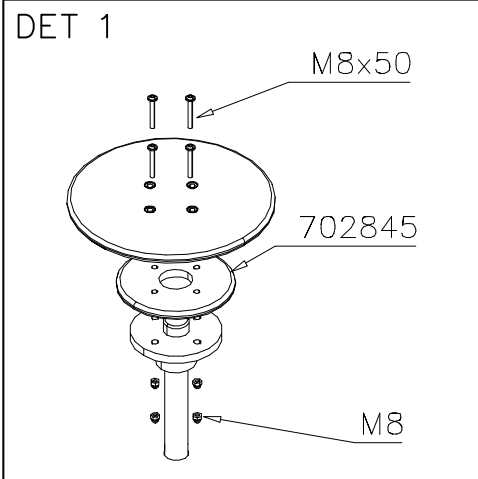
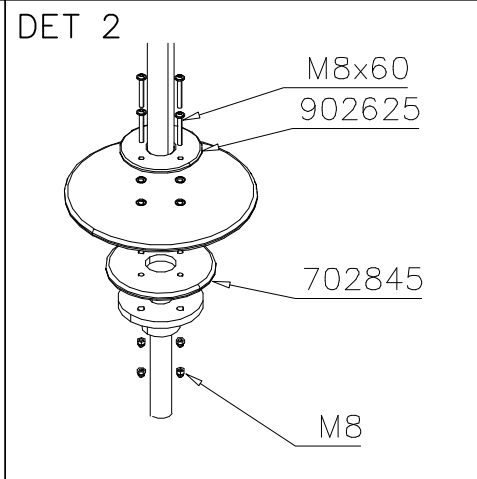
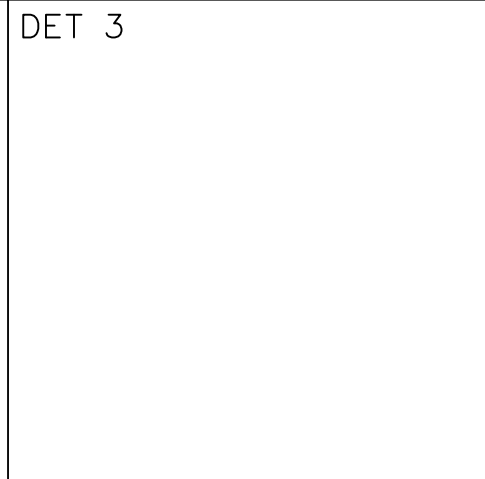
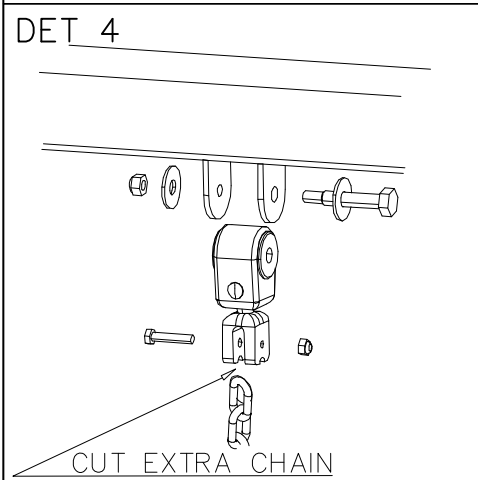
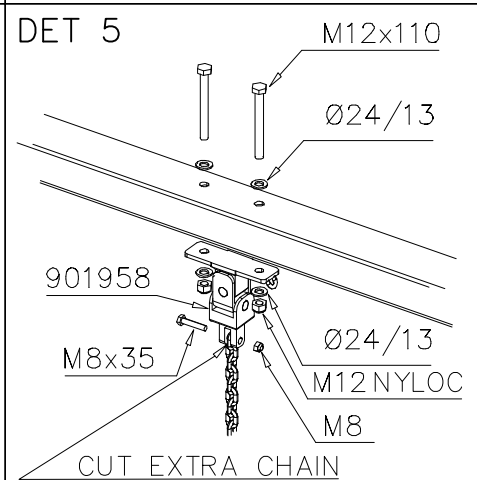
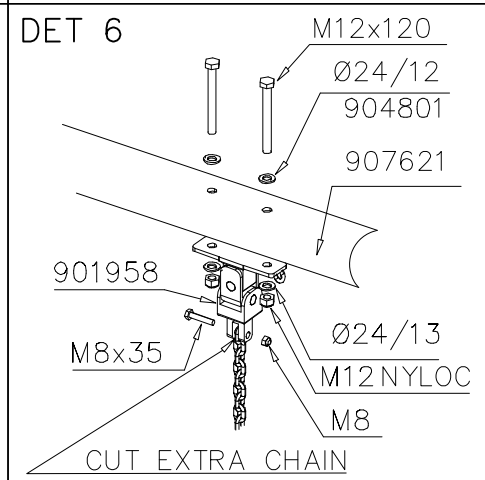
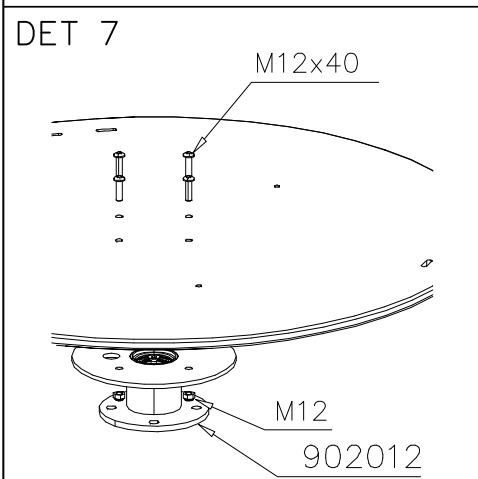
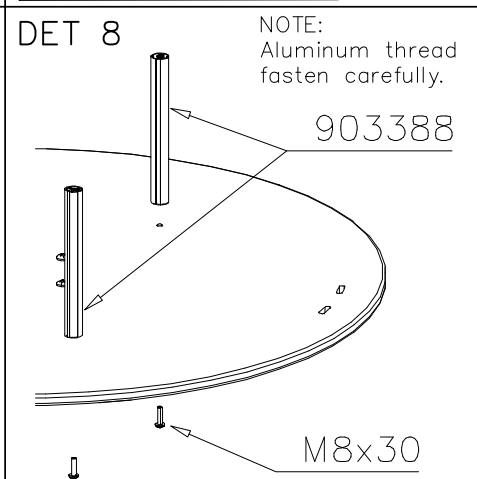
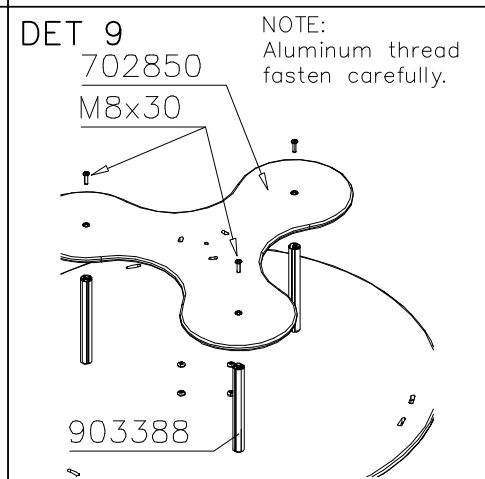
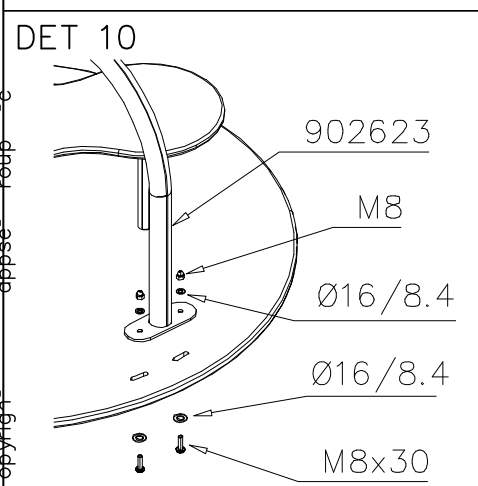
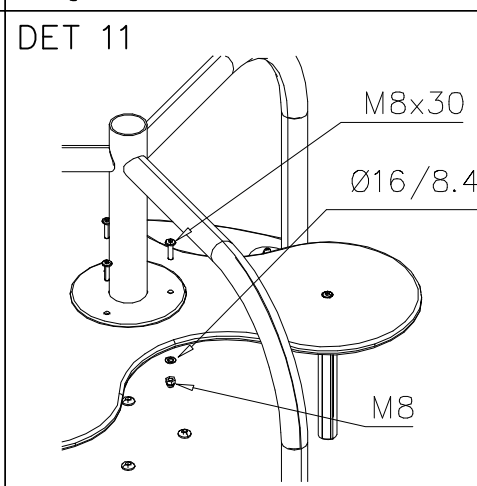
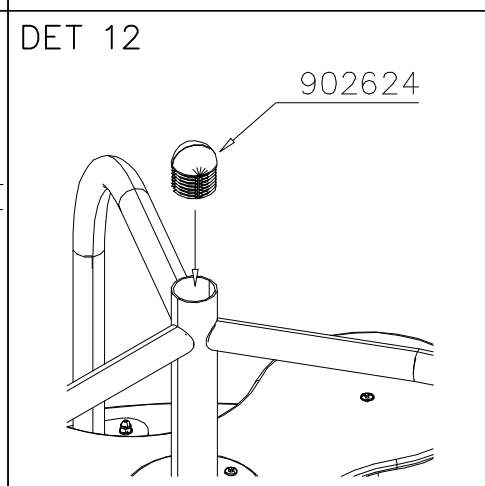




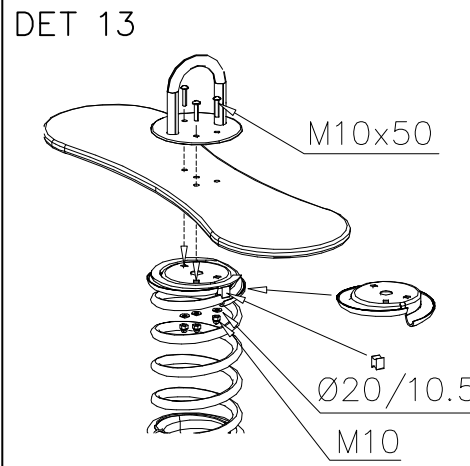
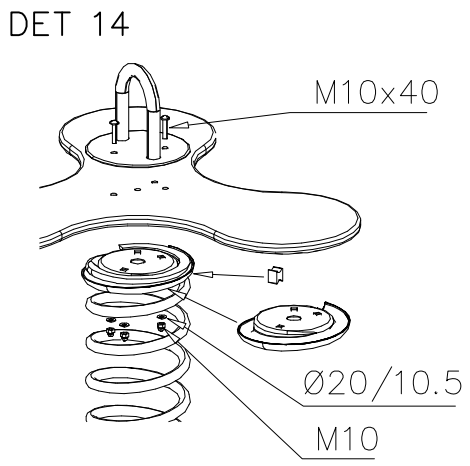
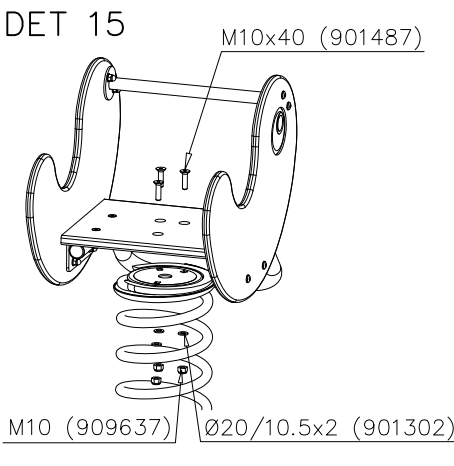
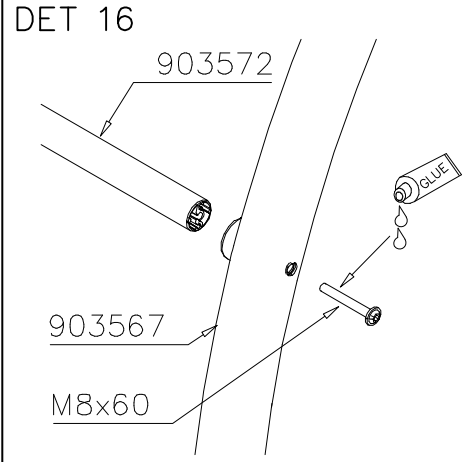
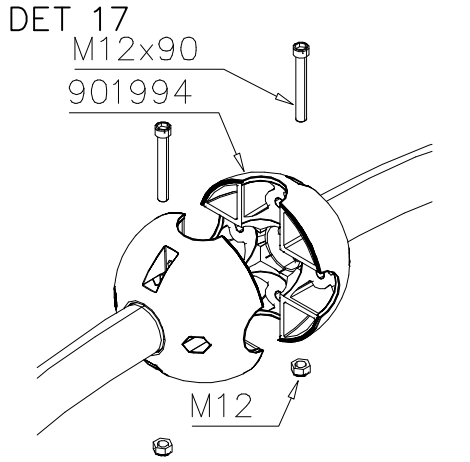
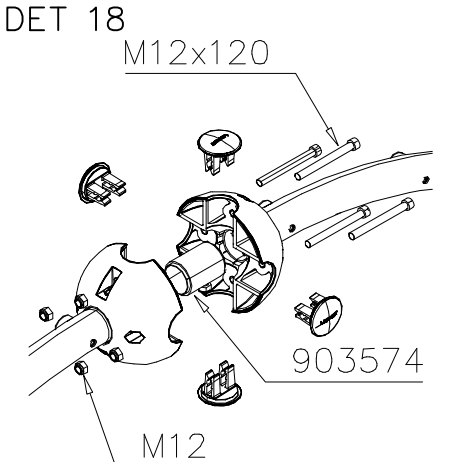
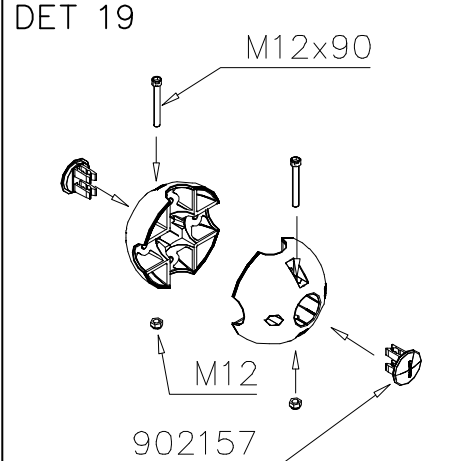
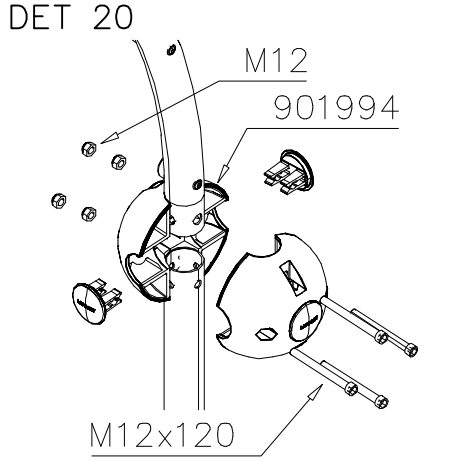
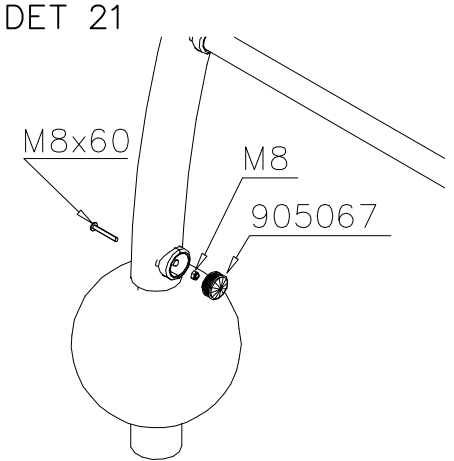
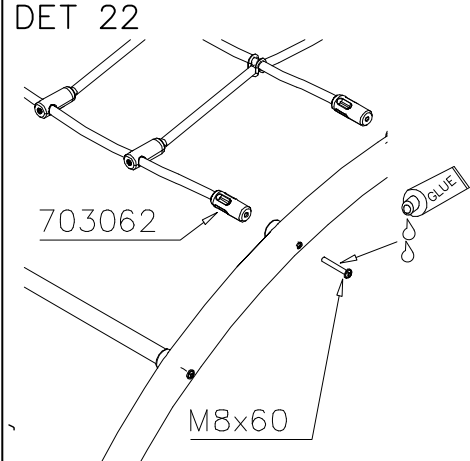

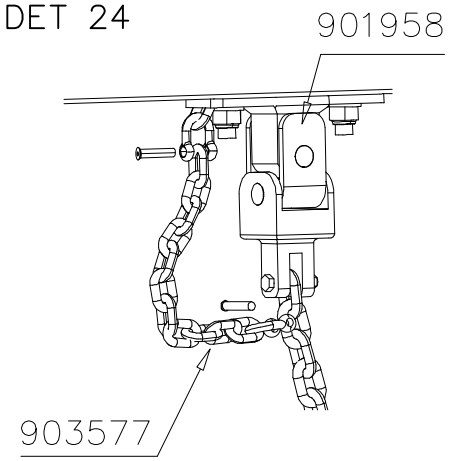


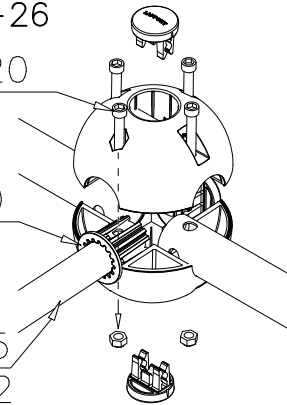
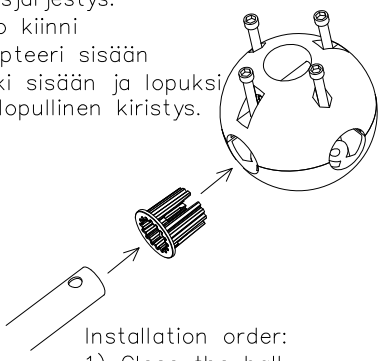
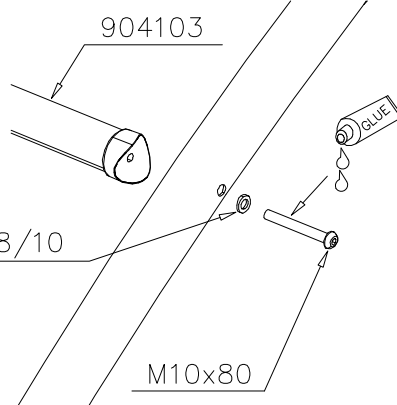
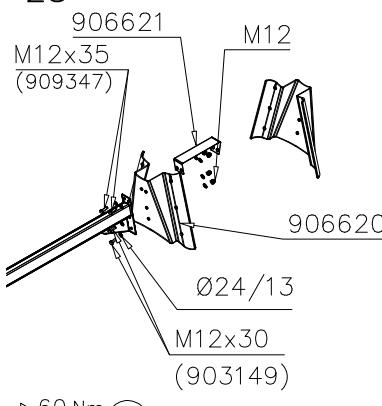
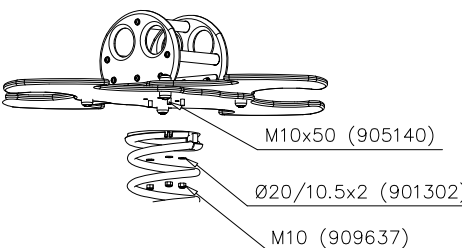
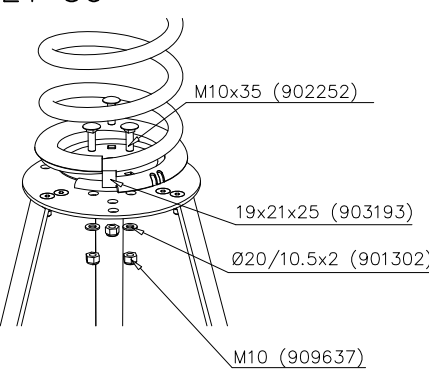
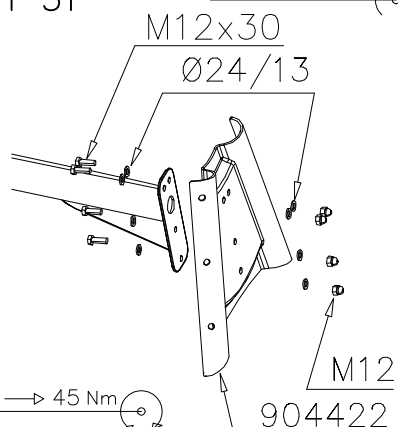
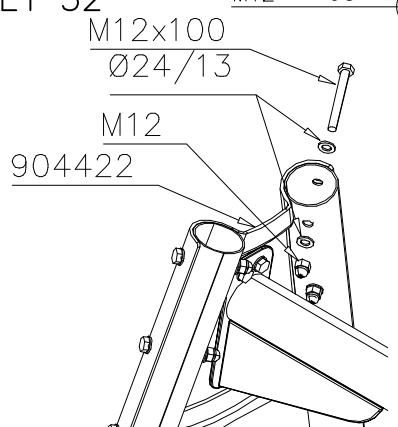
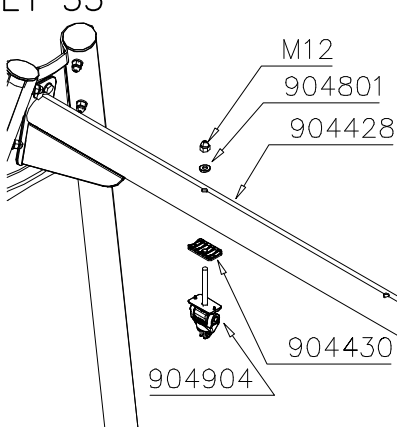
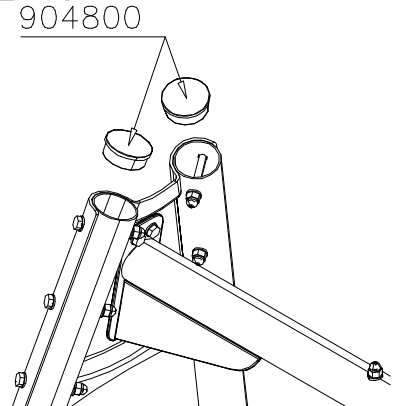
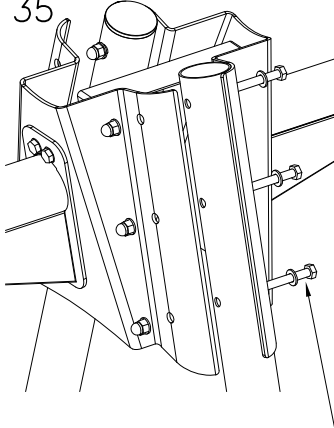



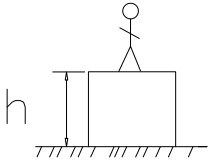



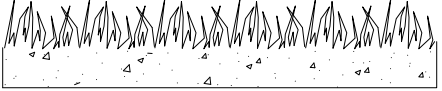
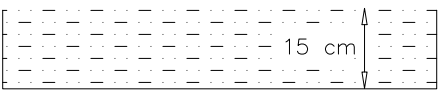
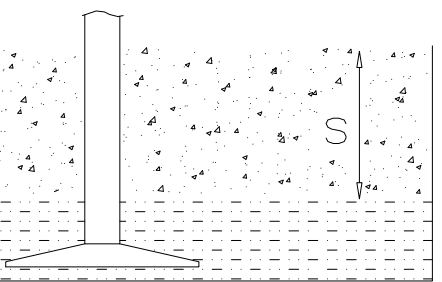
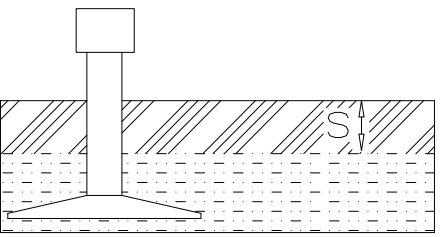


<p>DET 1</p>  <p>M8x50</p> <p>702845</p> <p>M8</p>	<p>DET 2</p>  <p>M8x60</p> <p>902625</p> <p>702845</p> <p>M8</p>	<p>DET 3</p> 
<p>DET 4</p>  <p>CUT EXTRA CHAIN</p>	<p>DET 5</p>  <p>M12x110</p> <p>Ø24/13</p> <p>901958</p> <p>M8x35</p> <p>Ø24/13</p> <p>M12 NYLOC</p> <p>M8</p> <p>CUT EXTRA CHAIN</p>	<p>DET 6</p>  <p>M12x120</p> <p>Ø24/12</p> <p>904801</p> <p>907621</p> <p>901958</p> <p>M8x35</p> <p>Ø24/13</p> <p>M12 NYLOC</p> <p>M8</p> <p>CUT EXTRA CHAIN</p>
<p>DET 7</p>  <p>M12x40</p> <p>M12</p> <p>902012</p>	<p>DET 8</p> <p>NOTE: Aluminum thread fasten carefully.</p>  <p>903388</p> <p>M8x30</p>	<p>DET 9</p> <p>NOTE: Aluminum thread fasten carefully.</p>  <p>702850</p> <p>M8x30</p> <p>903388</p>
<p>DET 10</p>  <p>902623</p> <p>M8</p> <p>Ø16/8.4</p> <p>Ø16/8.4</p> <p>M8x30</p>	<p>DET 11</p>  <p>M8x30</p> <p>Ø16/8.4</p> <p>M8</p>	<p>DET 12</p>  <p>902624</p>

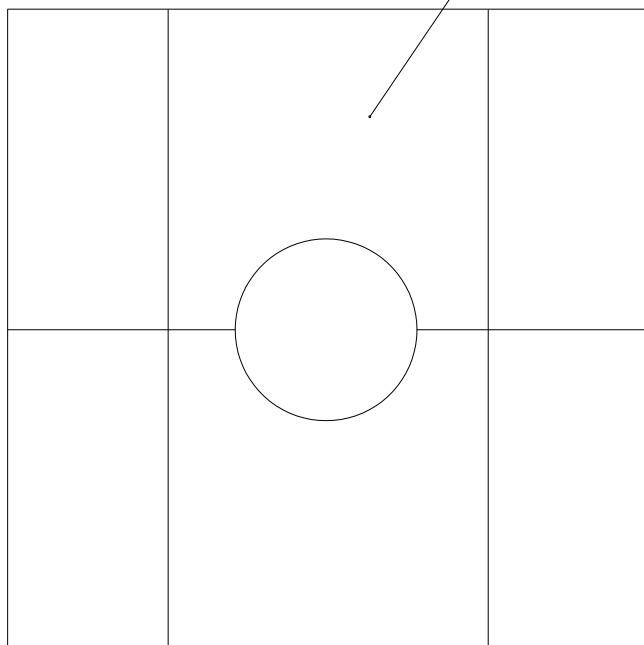
copyright appse-roup

<p>DET 13</p>  <p>M10x50</p> <p>Ø20/10.5</p> <p>M10</p>	<p>DET 14</p>  <p>M10x40</p> <p>Ø20/10.5</p> <p>M10</p>	<p>DET 15</p>  <p>M10x40 (901487)</p> <p>M10 (909637)</p> <p>Ø20/10.5x2 (901302)</p>
<p>DET 16</p>  <p>903572</p> <p>903567</p> <p>M8x60</p> <p>GLUE</p>	<p>DET 17</p>  <p>M12x90 901994</p> <p>M12</p>	<p>DET 18</p>  <p>M12x120</p> <p>903574</p> <p>M12</p>
<p>DET 19</p>  <p>M12x90</p> <p>M12</p> <p>902157</p>	<p>DET 20</p>  <p>M12</p> <p>901994</p> <p>M12x120</p>	<p>DET 21</p>  <p>M8x60</p> <p>M8</p> <p>905067</p>
<p>DET 22</p>  <p>703062</p> <p>M8x60</p> <p>GLUE</p>	<p>DET 23</p>  <p>M8x60</p>	<p>DET 24</p>  <p>901958</p> <p>903577</p>

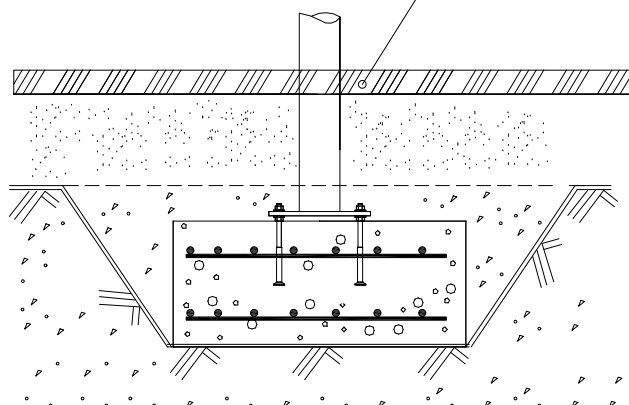
<p>DET 25-26</p> <p>M12x120</p> <p>904100</p> <p>904015</p> <p>904102</p> <p>Kun putken pää osuu adapterin kynsiin, adapteri tiukentuu paikoilleen.</p> 	<p>Asennusjärjestys:</p> <ol style="list-style-type: none"> <li>1) Pallo kiinni</li> <li>2) Adapteri sisään</li> <li>3) putki sisään ja lopuksi pallon lopullinen kiristys.</li> </ol> <p>Installation order:</p> <ol style="list-style-type: none"> <li>1) Close the ball</li> <li>2) Insert adapter</li> <li>3) Insert tube and tighten screws.</li> </ol> 	<p>DET 27</p> <p>904103</p> <p>Ø18/10</p> <p>M10x80</p> 
<p>DET 28</p> <p>906621</p> <p>M12x35 (909347)</p> <p>M12</p> <p>906620</p> <p>Ø24/13</p> <p>M12x30 (903149)</p> <p>M12 → 60 Nm</p> 	<p>DET 29</p> <p>M10x50 (905140)</p> <p>Ø20/10.5x2 (901302)</p> <p>M10 (909637)</p> 	<p>DET 30</p> <p>M10x35 (902252)</p> <p>19x21x25 (903193)</p> <p>Ø20/10.5x2 (901302)</p> <p>M10 (909637)</p> 
<p>DET 31</p> <p>M12 → 60 Nm</p> <p>M12x30</p> <p>Ø24/13</p> <p>M12</p> <p>904422</p> <p>M10 → 45 Nm</p> 	<p>DET 32</p> <p>M12 → 60 Nm</p> <p>M12x100</p> <p>Ø24/13</p> <p>M12</p> <p>904422</p> 	<p>DET 33</p> <p>M12</p> <p>904801</p> <p>904428</p> <p>904430</p> <p>904904</p> 
<p>DET 34</p> <p>904800</p> 	<p>DET 35</p> <p>M12x110</p> 	<p>DET 36</p> 

												
<p><b><math>h &lt; 600</math></b></p> <p>Without movement and therefore without Impact Area</p>	<p>Totally hard surfaces.</p> <p>Note. Lappset does <u>not recommend</u> totally hard surfaces at all.</p>	<p>E.g. concrete or asphalt</p> 										
<p><b><math>h &lt; 600</math></b></p> <p>With movement e.g. rocking</p>	<p>Materials with very limited impact attenuating properties.</p>	<p>E.g. wood</p> 										
<p><b><math>h &lt; 1000</math></b></p>	<p>Materials with significant impact attenuating properties.</p>	<p>fine gravel 0–8 mm</p>  <p>grass</p>  <p>unsorted sand</p> 										
<p><b><math>h &lt; 3000</math></b></p>	<p>Loose fill material</p> <p>E.g. sand/gravel 0,25...8 mm D60/D10&lt;3,0 Woodchips 5...30 mm bark 20...80 mm</p>	 <table border="0" data-bbox="1021 1691 1324 1792"> <tr> <td><math>\underline{S}</math></td> <td><math>\underline{h}</math></td> </tr> <tr> <td>30 cm</td> <td>&lt; 2,0 m</td> </tr> <tr> <td>40 cm</td> <td>&lt; 3,0 m</td> </tr> </table>	$\underline{S}$	$\underline{h}$	30 cm	< 2,0 m	40 cm	< 3,0 m				
$\underline{S}$	$\underline{h}$											
30 cm	< 2,0 m											
40 cm	< 3,0 m											
	<p>Syntethic granulates</p> <table border="0" data-bbox="399 1892 750 2060"> <tr> <td><math>\underline{S}</math></td> <td><math>\underline{h}</math></td> </tr> <tr> <td>40 mm</td> <td>~&gt; 1,2...1,3 m</td> </tr> <tr> <td>50 mm</td> <td>~&gt; 1,5...1,7 m</td> </tr> <tr> <td>60 mm</td> <td>~&gt; 1,8...2,0 m</td> </tr> <tr> <td>70 mm</td> <td>~&gt; 2,1...2,5 m</td> </tr> </table> <p>Note. For accurate values, see manufacturer's instructions.</p>	$\underline{S}$	$\underline{h}$	40 mm	~> 1,2...1,3 m	50 mm	~> 1,5...1,7 m	60 mm	~> 1,8...2,0 m	70 mm	~> 2,1...2,5 m	
$\underline{S}$	$\underline{h}$											
40 mm	~> 1,2...1,3 m											
50 mm	~> 1,5...1,7 m											
60 mm	~> 1,8...2,0 m											
70 mm	~> 2,1...2,5 m											

REMOVE SAFETY SURFACE/SAND/GRAVEL  
TO CHECK FOUNDATION



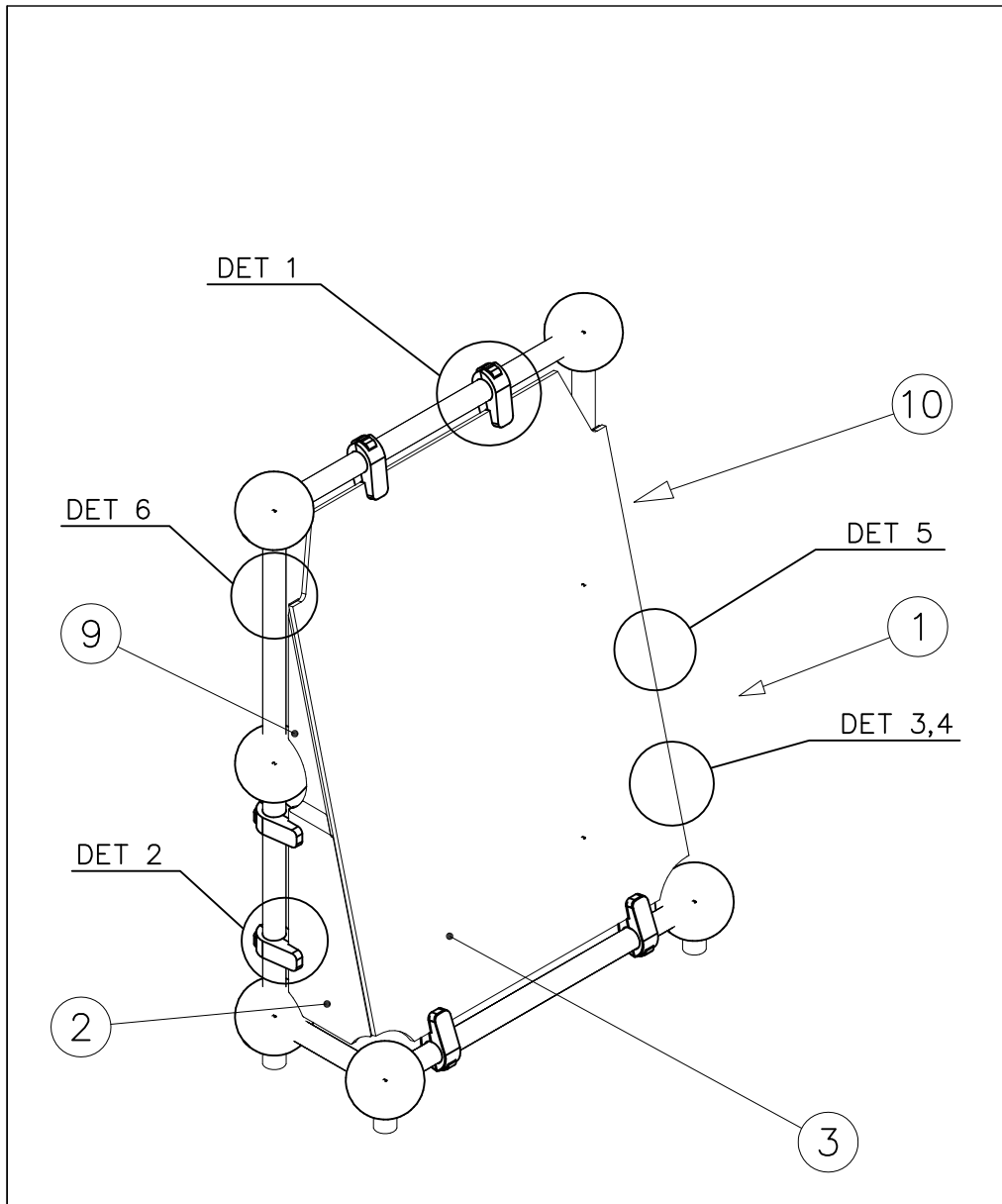
REMOVE SAFETY SURFACE/SAND/GRAVEL  
TO CHECK FOUNDATION



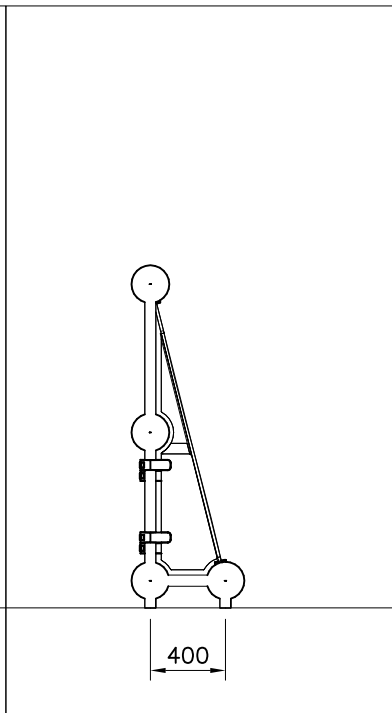
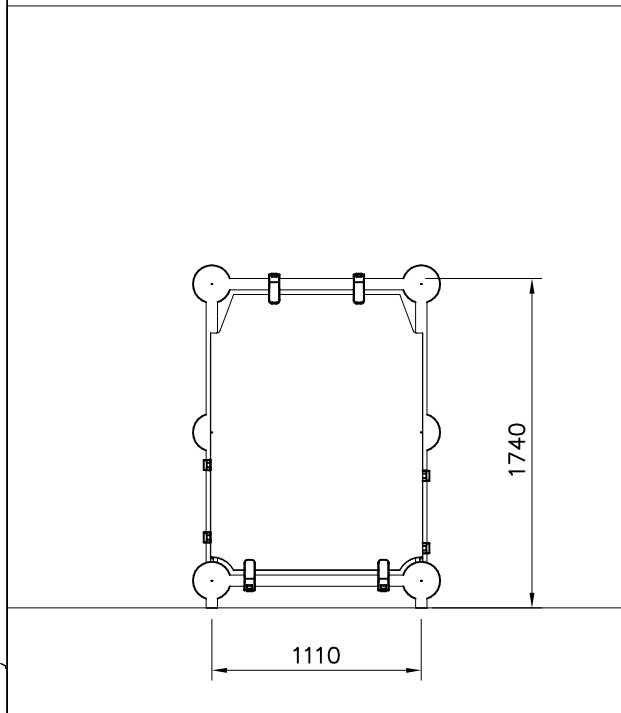
# WINAM GROUP PARKOUR

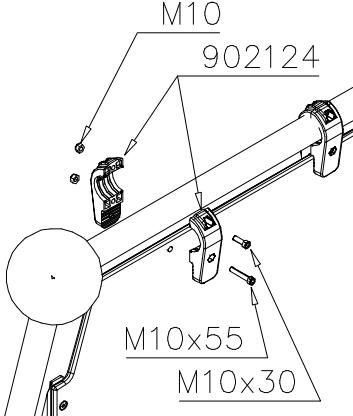
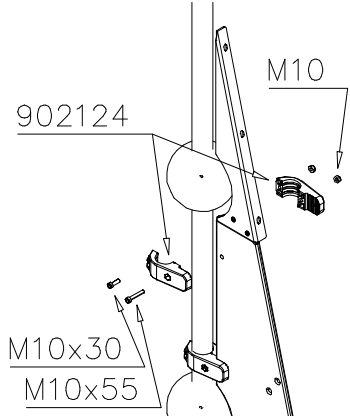
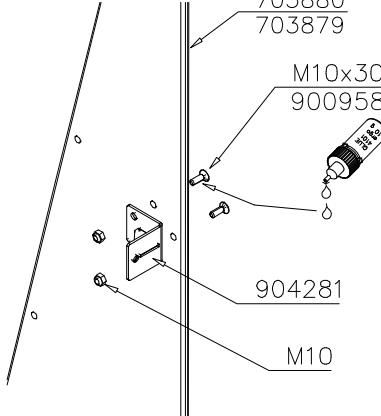
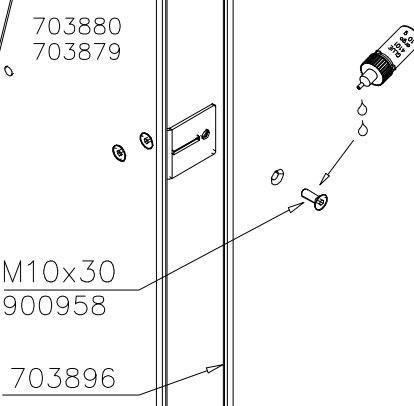
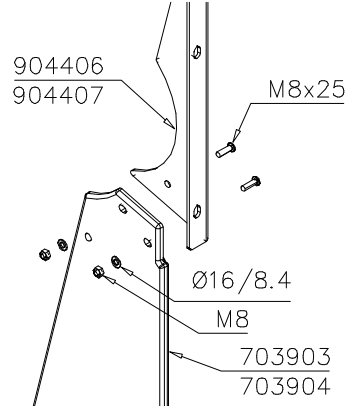
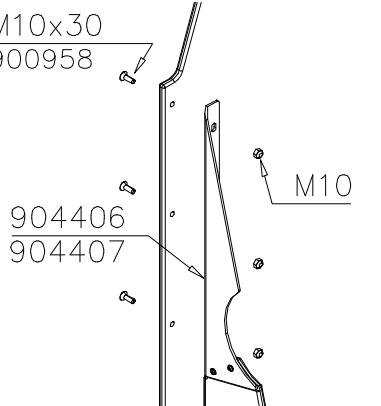
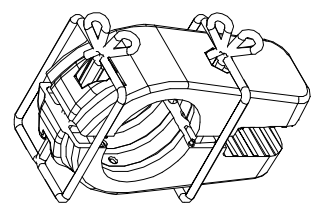
# 703898

DATE: 2.12.2013



① 703880	PCS	② 703879	PCS
	1		1
LEFT		RIGHT	
③ 703896	PCS	④ 900958	PCS
	1		10
		M10x30	
⑤ 902124	PCS	⑥ 902232	PCS
	16		8
150x50x50		M10x55	
⑦ 902233	PCS	⑧ 904281	PCS
	8		2
M10x30			
⑨ 904406	PCS	⑩ 904407	PCS
	1		1
Right		Left	
⑪ 909256	PCS	⑫ 909850	PCS
	4		4
Ø16/8.4x1.6		M8x25	
⑬ 980160	PCS	⑭ 980161	PCS
	4		26
M8		M10	
⑮ 999561	PCS		PCS
	1		
GLUE 4101 ergo 10 g			
10g			



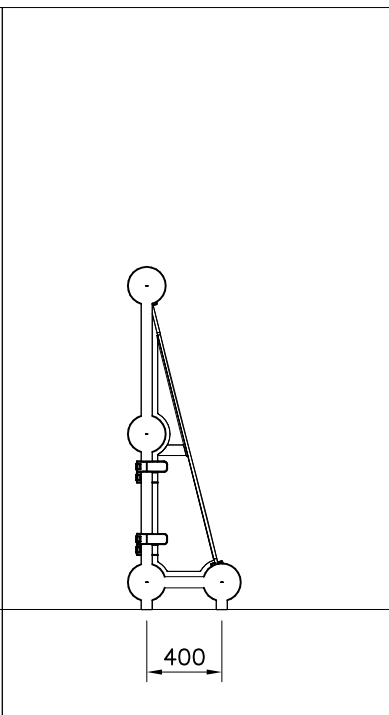
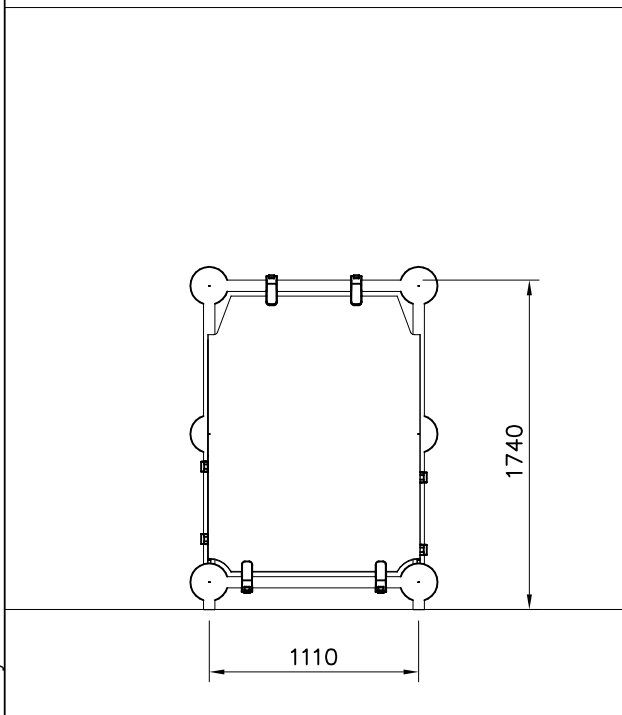
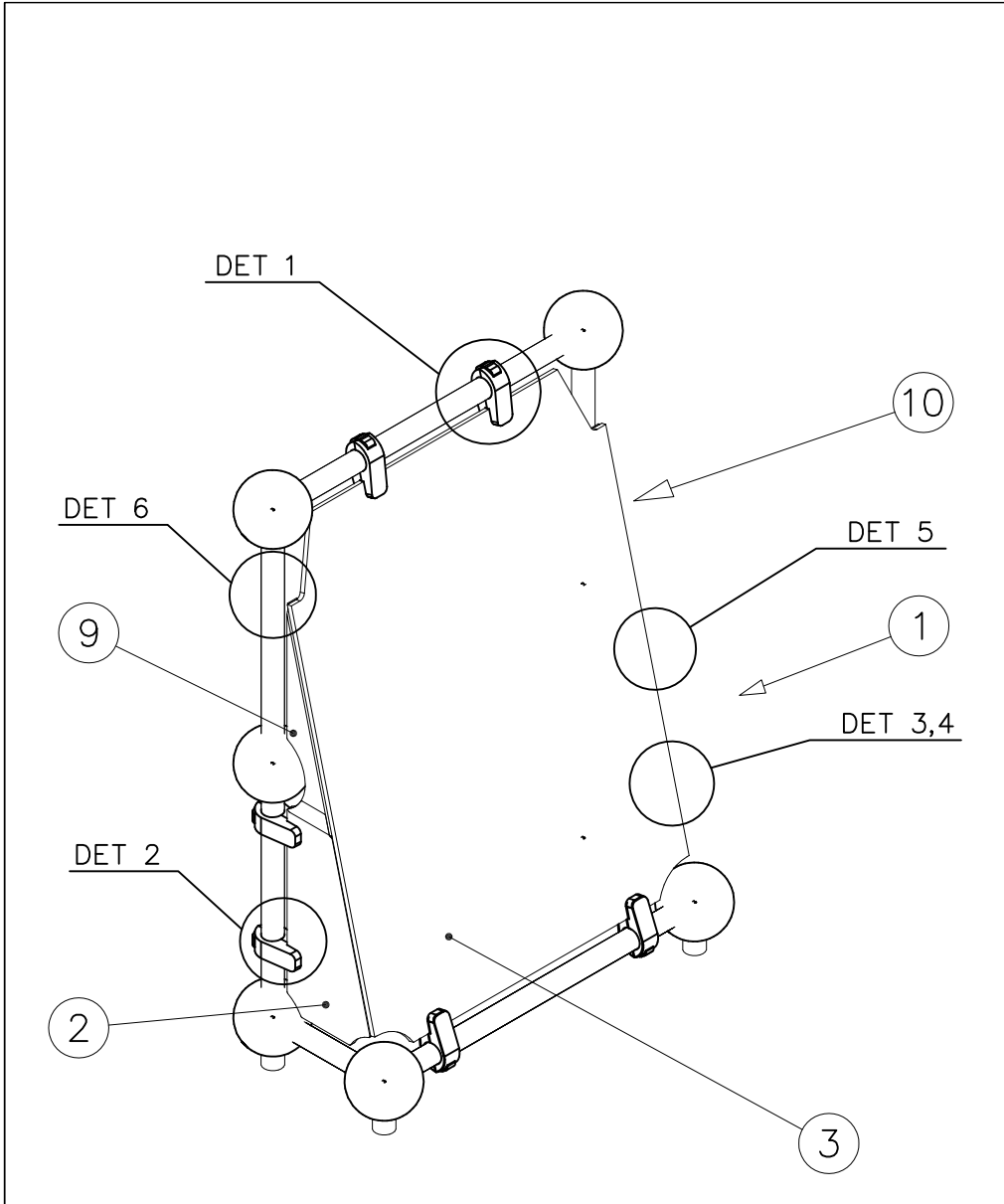
<p>DET 1</p> 	<p>DET 2</p> 	<p>DET 3</p> 
<p>DET 4</p> 	<p>DET 5</p> 	<p>DET 6</p> 
		 <p>NOTE: Use a wire marked pairs of the same junction.</p> <p>Huom! Käytä langalla merkittyjä paria samassa liitoksessa.</p>



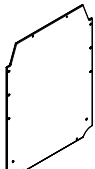
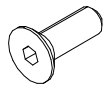
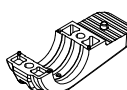
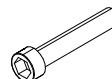
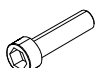
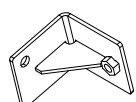
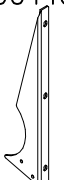

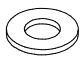
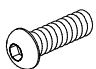
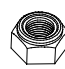
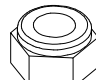



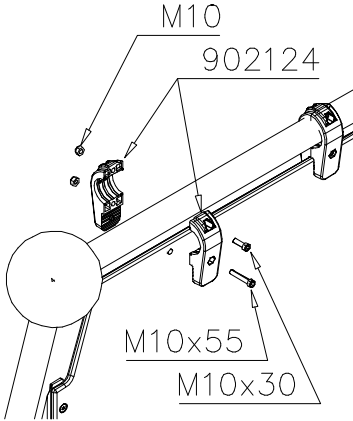
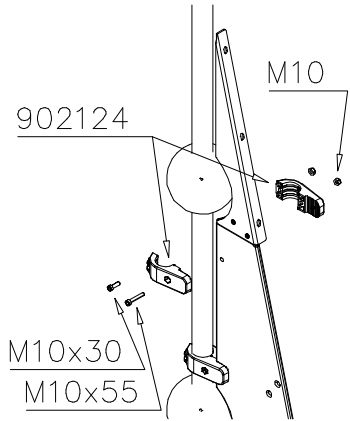
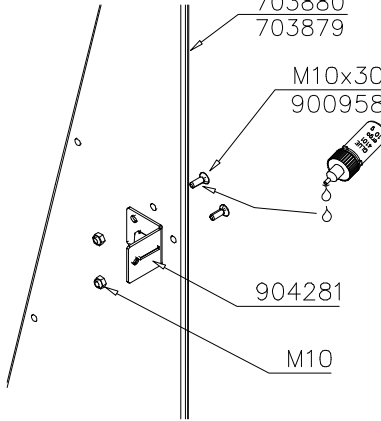
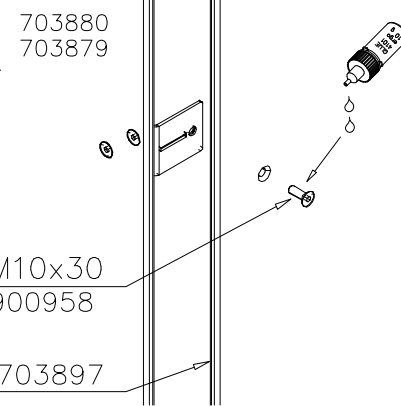
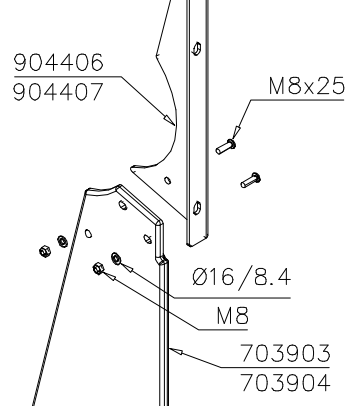
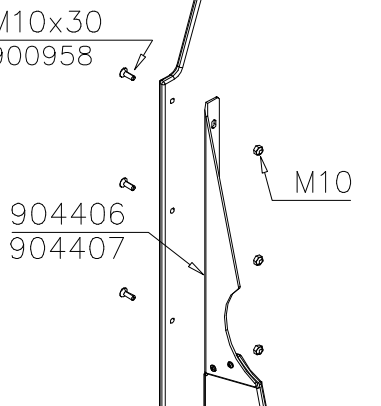
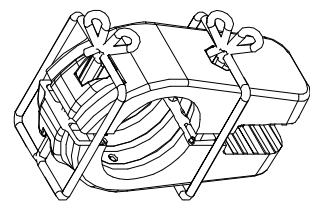
# WINAM GROUP PARKOUR

# 703899

DATE: 3.12.2013



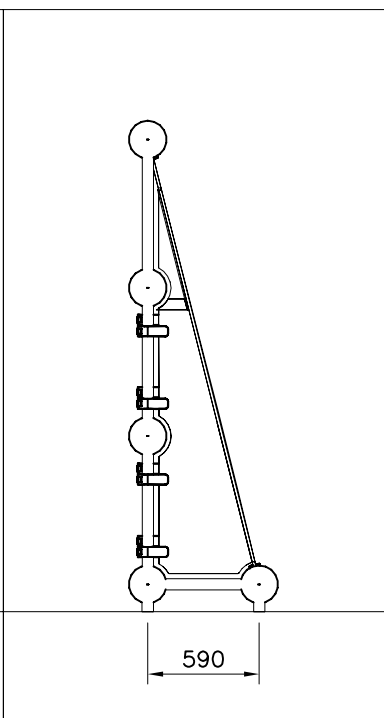
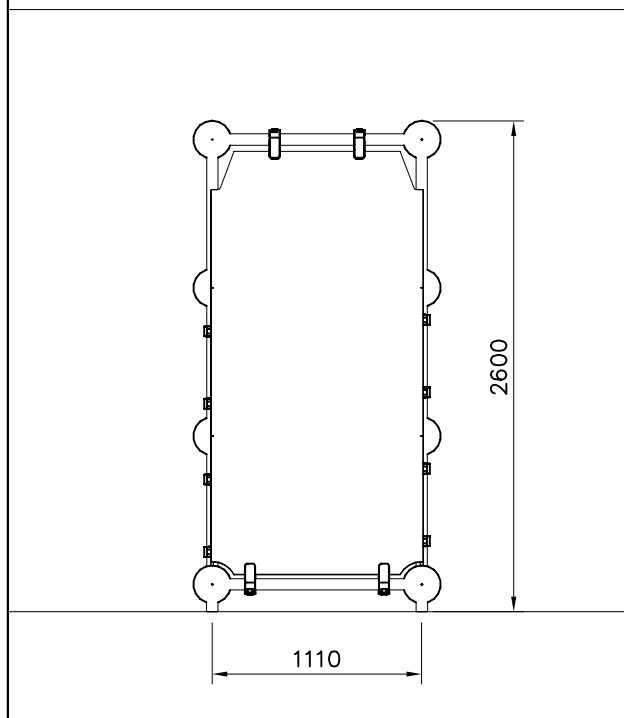
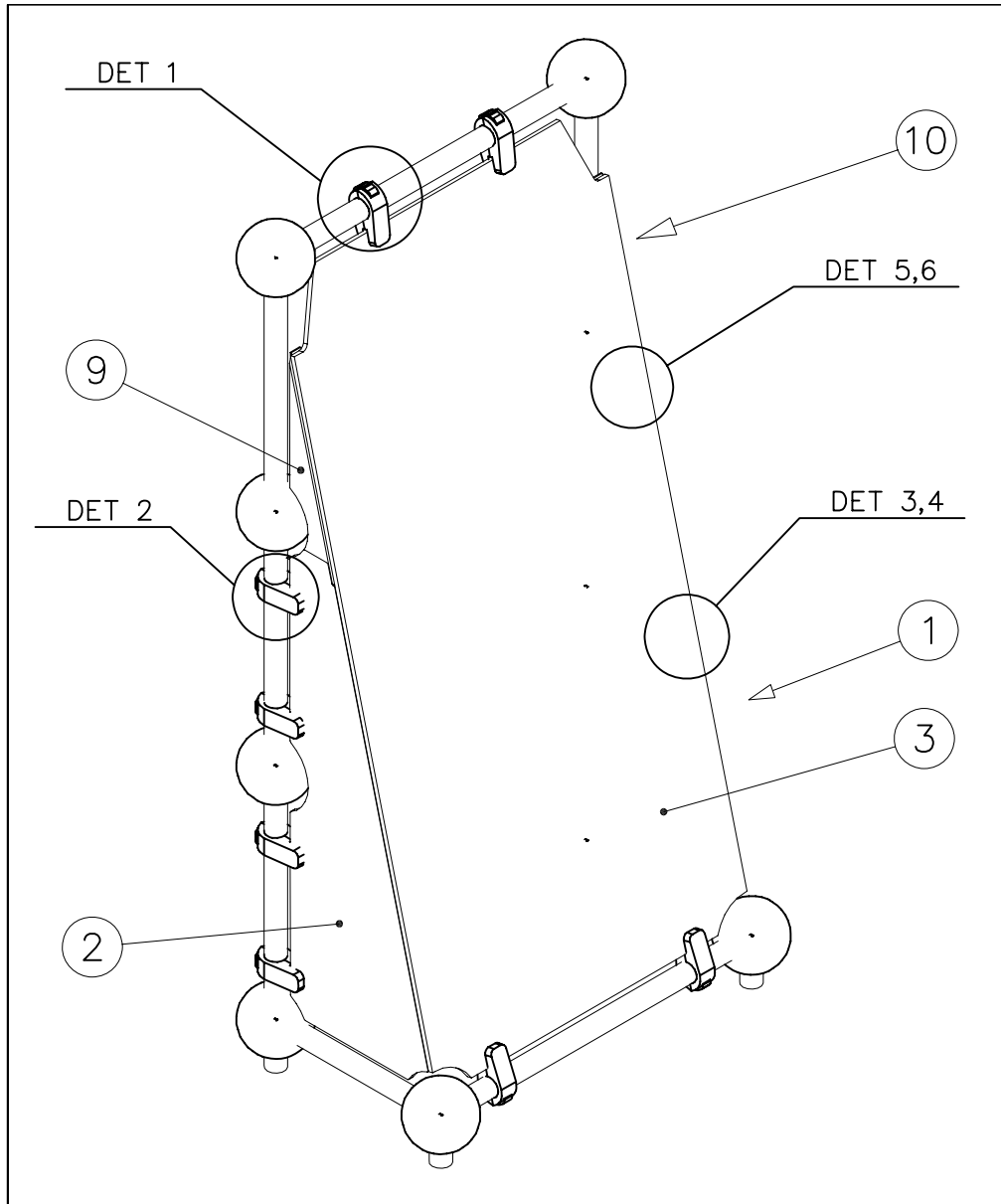
① 703880  LEFT PCS 1	② 703879  RIGHT PCS 1
③ 703897  PCS 1	④ 900958  M10x30 PCS 10
⑤ 902124  150x50x50 PCS 16	⑥ 902232  M10x55 PCS 8
⑦ 902233  M10x30 PCS 8	⑧ 904281  PCS 2
⑨ 904406  Right PCS 1	⑩ 904407  Left PCS 1
⑪ 909256  Ø16/8.4x1.6 PCS 4	⑫ 909850  M8x25 PCS 4
⑬ 980160  M8 PCS 4	⑭ 980161  M10 PCS 26
⑮ 999561  GLUE 4101 ergo 10 g 10g PCS 1	

<p>DET 1</p> 	<p>DET 2</p> 	<p>DET 3</p> 
<p>DET 4</p> 	<p>DET 5</p> 	<p>DET 6</p> 
		 <p>NOTE: Use a wire marked pairs of the same junction.</p> <p>Huom! Käytä langalla merkittyä paria samassa liitoksessa.</p>

# WINAM GROUP PARKOUR

# 703902

DATE: 25.10.2011



① 703903  LEFT	PCS 1	② 703904  RIGHT	PCS 1
③ 703906  YELLOW	PCS 1	④ 900958  M10x30	PCS 18
⑤ 902124  150x50x50	PCS 24	⑥ 902232  M10x55	PCS 12
⑦ 902233  M10x30	PCS 12	⑧ 904281  M10x30	PCS 4
⑨ 904406  Right	PCS 1	⑩ 904407  Left	PCS 1
⑪ 909256  Ø16/8.4x1.6	PCS 4	⑫ 909850  M8x25	PCS 4
⑬ 980160  M8	PCS 4	⑭ 980161  M10	PCS 38
⑮ 999561  10g	PCS 1		PCS

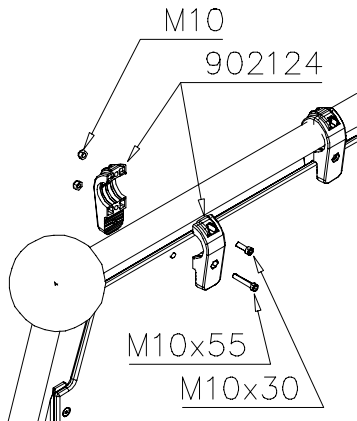
# WINAM GROUP PARKOUR

# 703902

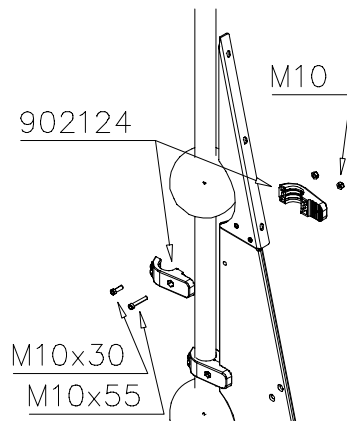
DATE: 25.10.2011



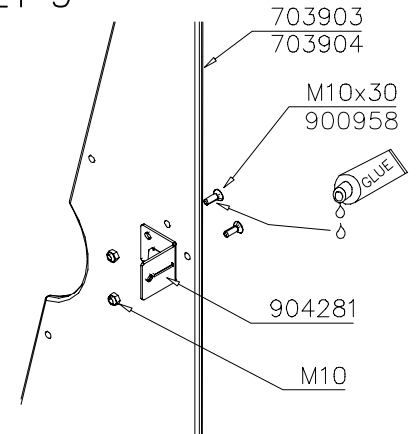
DET 1



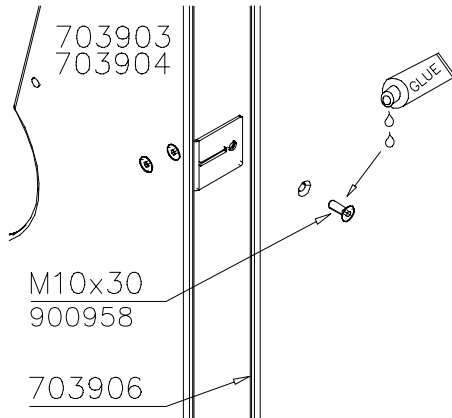
DET 2



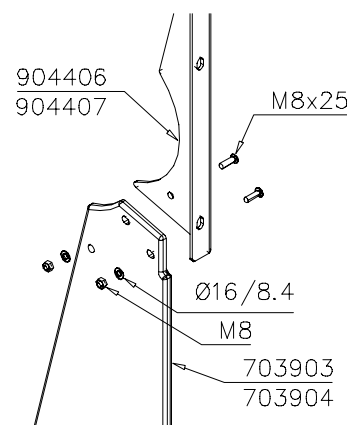
DET 3



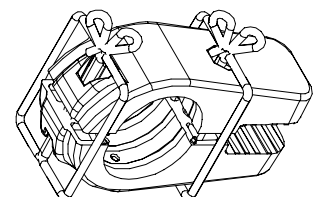
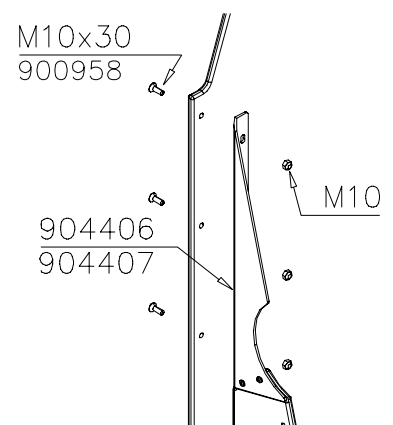
DET 4



DET 5

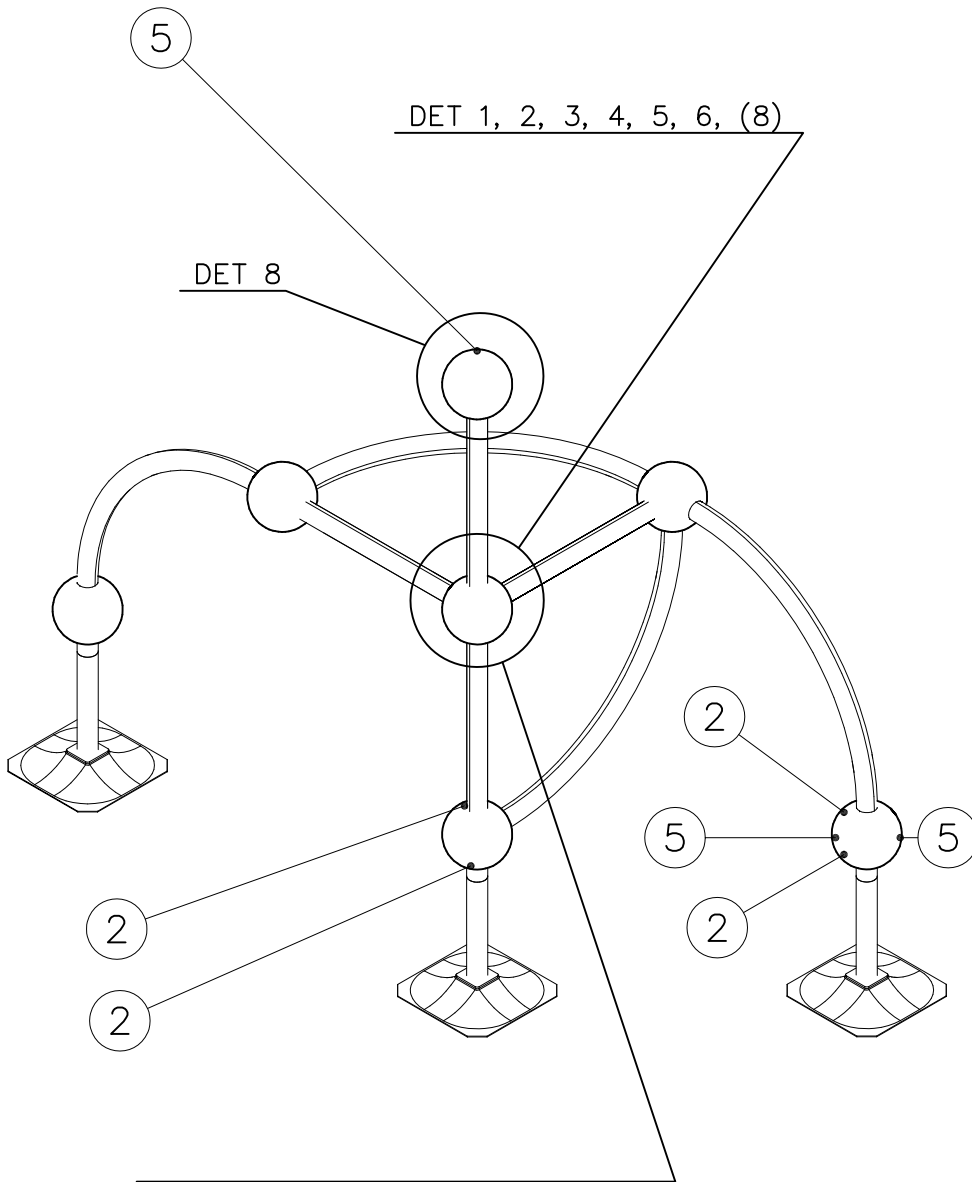


DET 6

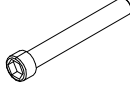

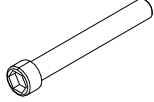



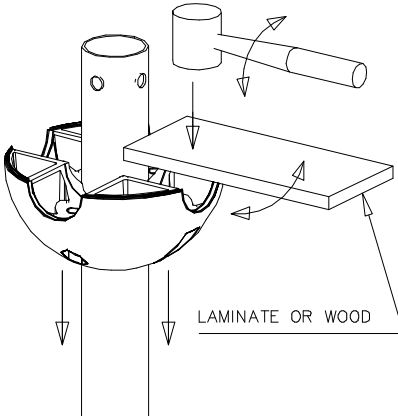
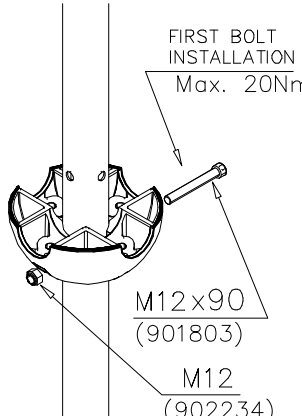
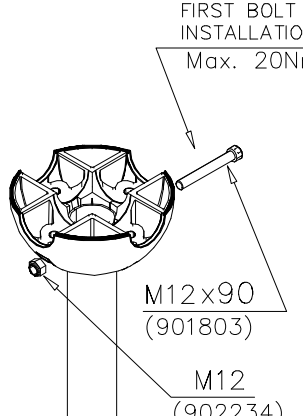
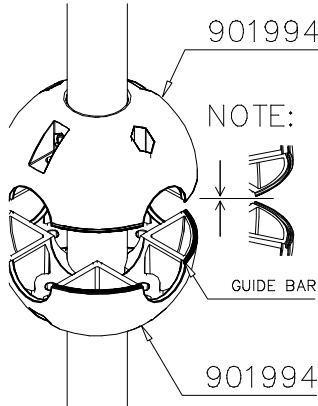
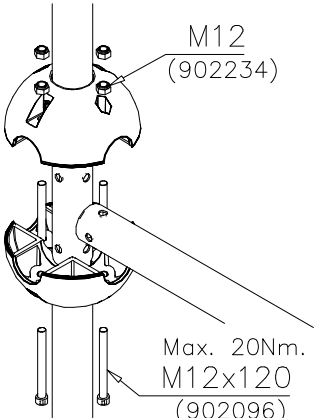
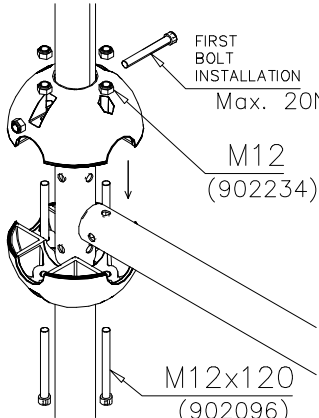
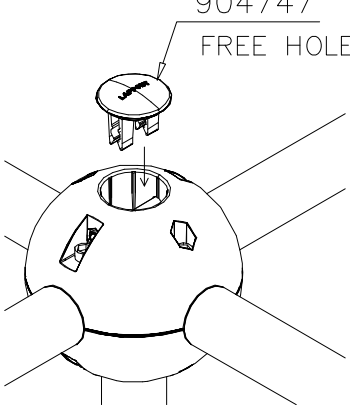
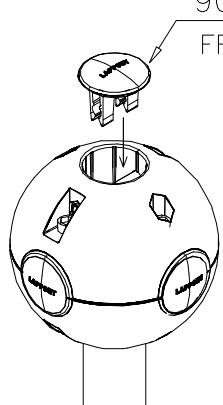
NOTE:  
Use a wire marked pairs  
of the same junction.

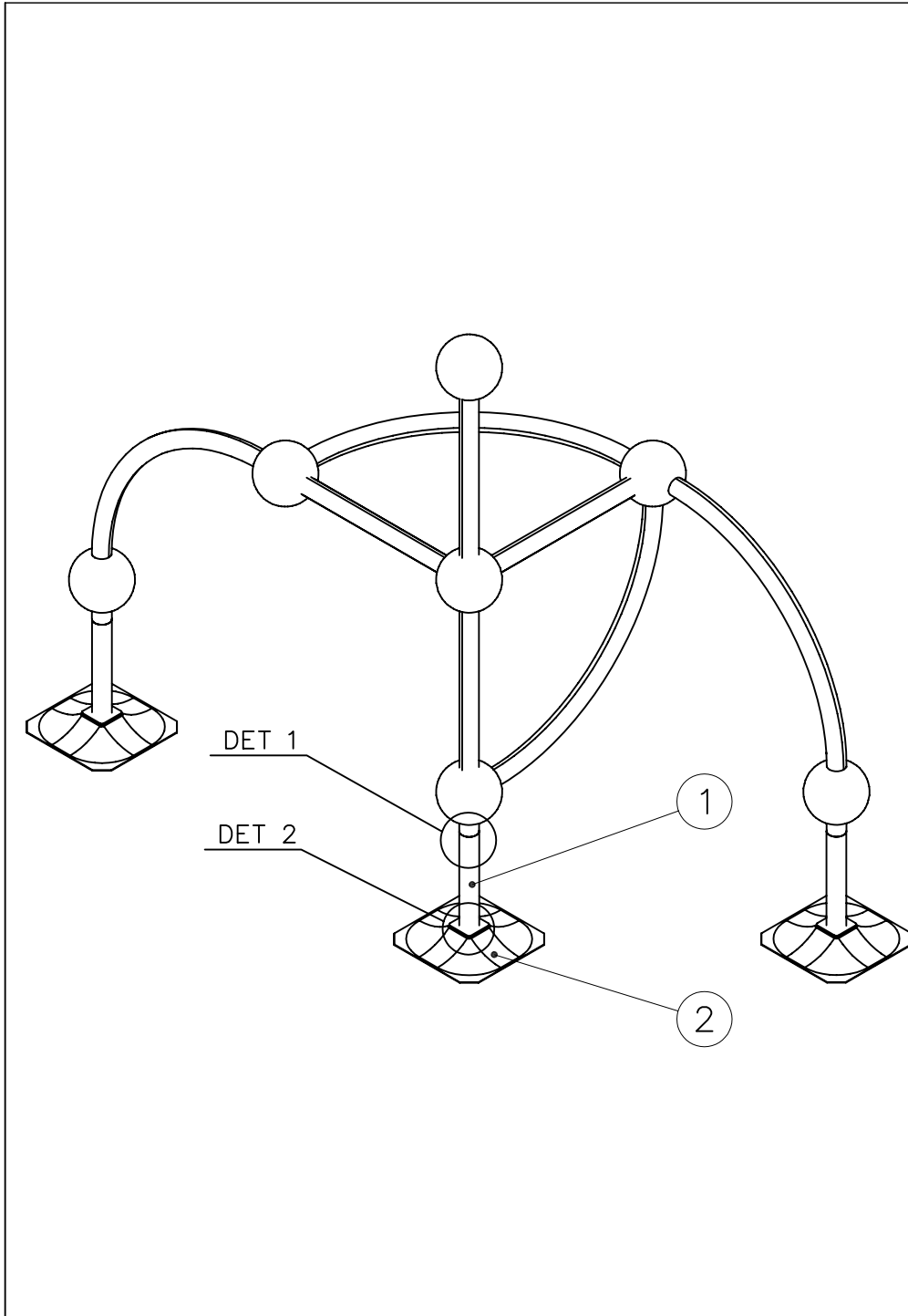
Huom!  
Käytä langalla merkittyä  
paria samassa liitoksessa.


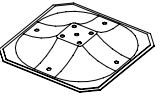
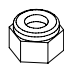

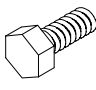


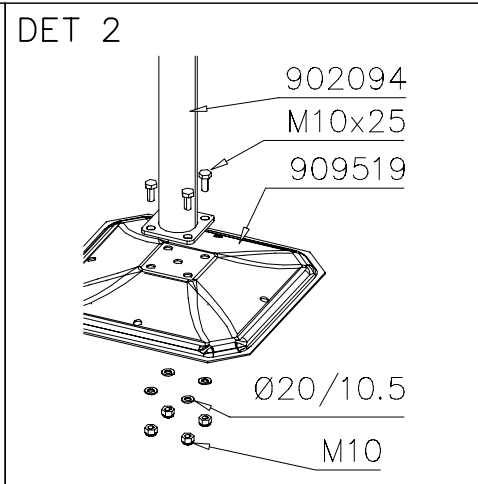
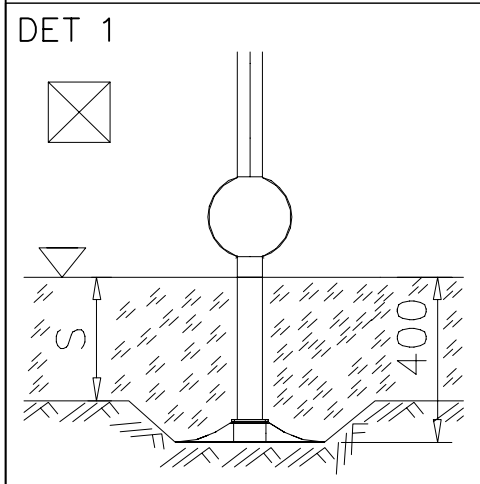
DO NOT TIGHTEN THE JOINTS UNTIL THE STRUCTURE IS COMPLETE.

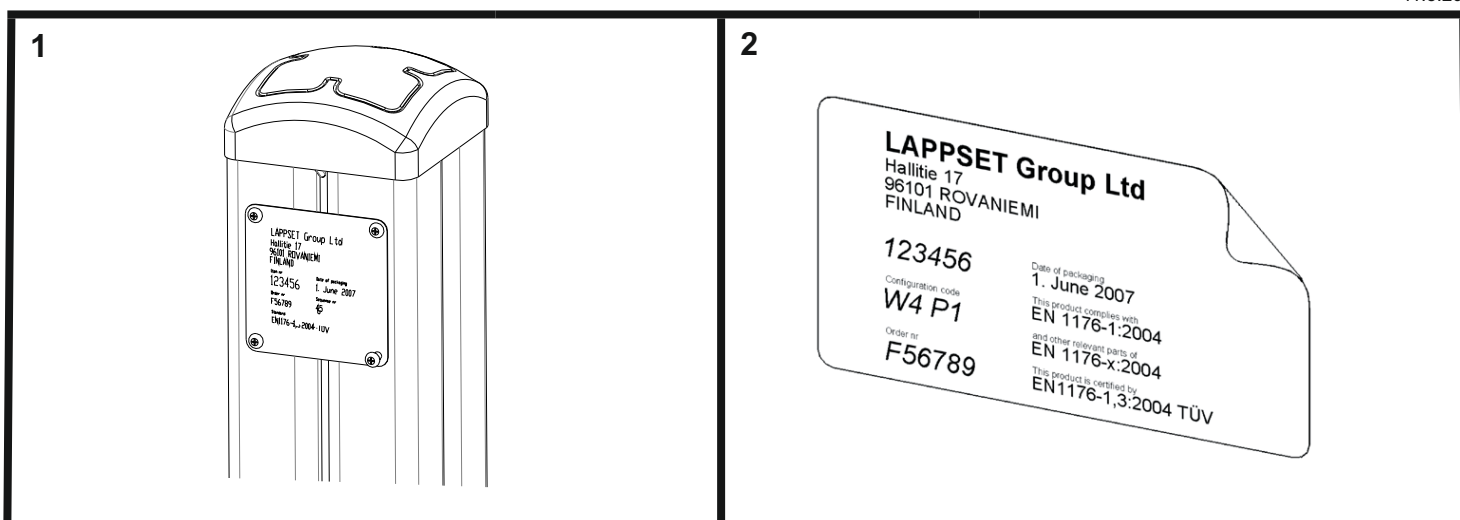
① 901803	PCS	② 901994	PCS
	2		2
M12x90		Ø190	
③ 902096	PCS	④ 902234	PCS
	4		6
M12x120		M12	
	PCS		PCS
	PCS		PCS
	PCS		PCS
	PCS		PCS
	PCS		PCS
	PCS		PCS

<p>DET 1</p>  <p>LAMINATE OR WOOD</p>	<p>DET 2</p>  <p>FIRST BOLT INSTALLATION Max. 20Nm.</p> <p>M12x90 (901803)</p> <p>M12 (902234)</p>	<p>DET 3</p>  <p>FIRST BOLT INSTALLATION Max. 20Nm.</p> <p>M12x90 (901803)</p> <p>M12 (902234)</p>
<p>DET 4</p>  <p>901994</p> <p>NOTE:</p> <p>GUIDE BAR</p> <p>901994</p>	<p>DET 5</p>  <p>M12 (902234)</p> <p>Max. 20Nm. M12x120 (902096)</p>	<p>DET 6</p>  <p>FIRST BOLT INSTALLATION Max. 20Nm.</p> <p>M12 (902234)</p> <p>M12x120 (902096)</p>
<p>REMEMBER FINAL TIGHTENING</p>	<p>DET 7</p>  <p>902157 or 904747</p> <p>FREE HOLE</p>	<p>DET 8</p>  <p>902157 or 904747</p> <p>FREE HOLE</p>



① 902094	PCS	② 909519	PCS
	1		1
Ø60x450		50x380x380	
③ 909637	PCS	④ 909638	PCS
	4		4
M10		Ø20/10,5	
⑤ 909639	PCS		PCS
	4		
M10x25			
	PCS		PCS
	PCS		PCS
	PCS		PCS





### Tuotekyltti tulee tuotteen mukana yhdellä seuraavista tavoista:

#### 1) Metallinen tuotekyltti ja kiinnitysruuvit

- Kiinnitä tuotekyltti ruuveilla tolppaan noin 2 metrin korkeuteen kuvan 2 mukaisesti.

#### 2) Tuotekylttitarra

- Puhdista maalattu metalli- tai vaneripinta pölystä ja kosteudesta. Liimaa tarra kuvan 3 mukaisesti.
- Huom. Älä kiinnitä tarraa karheapintaiseen laminaattiin tai maalattuun puuhun.

### Vår produktmärkning levereras på ett av följande sätt:

#### 1) Produktskylt i metall

- Fäst skylten med de medföljande skruvarna

#### 2) Självhäftande produktetikett

- Rengördenpulverlackerademetallytanellerlaminatytansåttndenblirfrifrånsmutsochfukt.Fästetikettenenligtfig.3.
- Obs! Fäst ej etiketten på detaljer med skrovlig yta eller på målat trä.

### Product label is delivered by one of following ways:

#### 1) Metal product label and screws

- Fasten the label with screws.

#### 2) Label sticker

- Cleanthepaintedmetalorplywoodsurfacefromdirtandmoisture.Fastenthestickerasshowninthefigure3.
- Note. Do not attach the sticker to rough surfaced laminate or painted wood.

### La plaque d'informations produit est livrée sous l'une de ces 3 formes :

#### 1) Plaque métallique et vis

- Fixez la plaque à l'aide des vis.

#### 2) Etiquette autocollante

- Avant de coller l'étiquette, nettoyez le composant métallique peint ou la plaque de contreplaqué, de toute saleté. La surface doit être sèche (voir image 3).
- Attention, ne pas coller l'étiquette sur une surface lamellé-collée irrégulière ou sur du bois peint.

### Die Auslieferung des Produktaufklebers erfolgt auf eine dieser Arten:

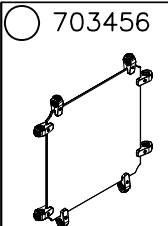
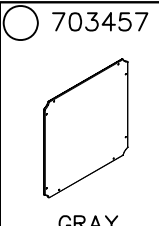
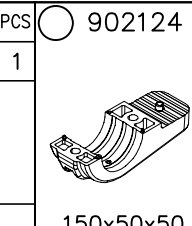
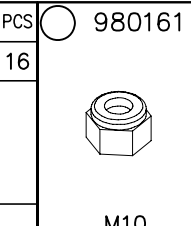
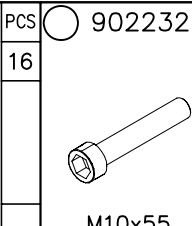
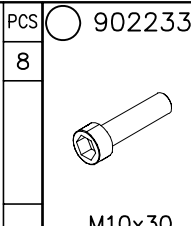
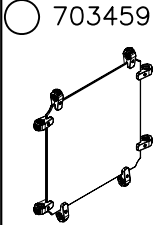
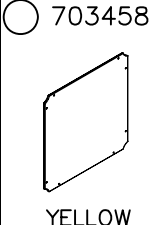
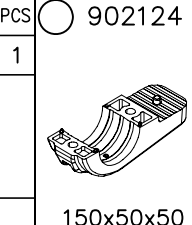
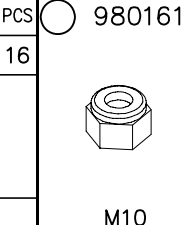
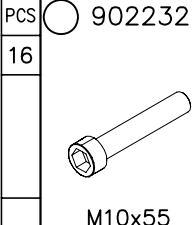
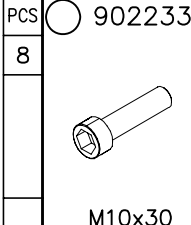
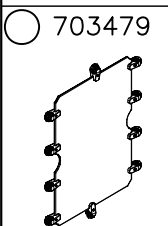
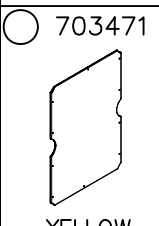
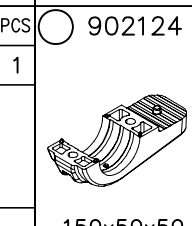
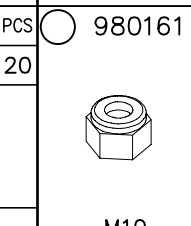
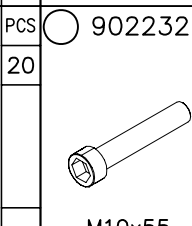
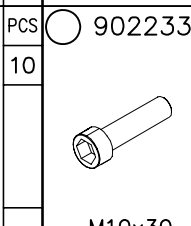
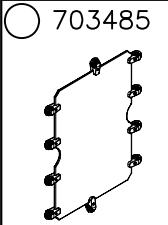
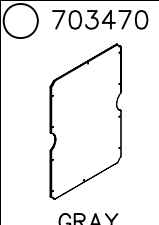
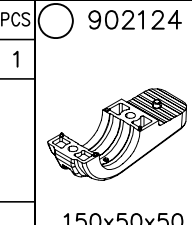
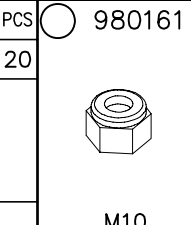
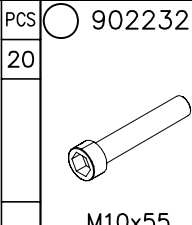
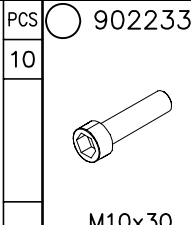
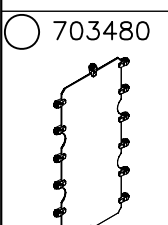
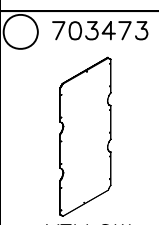
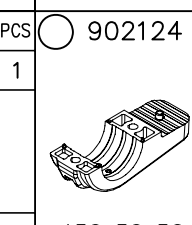
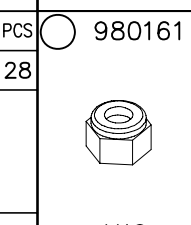
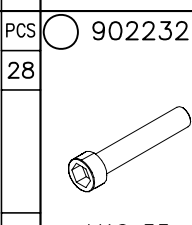
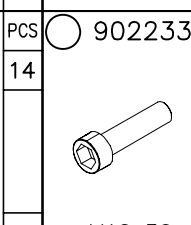
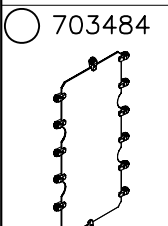
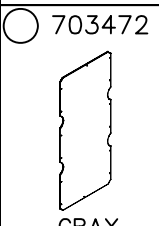
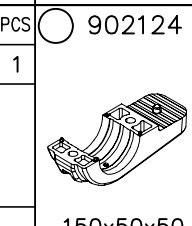
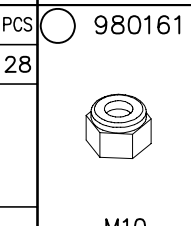
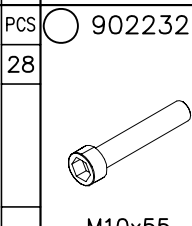
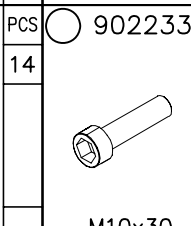
#### 1) Produkt-Schild aus Metall incl. Schrauben

- Die Befestigung des Schildes erfolgt mittels der Schrauben.

#### 2) Aufkleber

- EntfernenSiezunächstSchmutzundFeuchtigkeitvomlackiertenMetallbzw.vonderHolzoberflächeundbringenSiedenAufkleber wie im Bild oben rechts beschrieben auf den gesäuberten Untergrund auf.
- Beachten Sie: Bringen Sie den Aufkleber nicht auf raues laminiertes oder lackiertes Holz an.



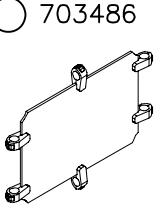
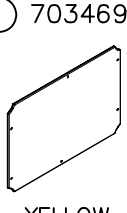
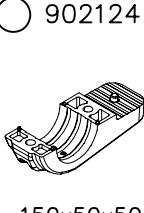
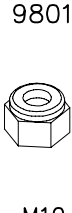
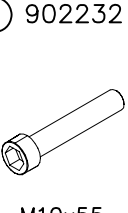
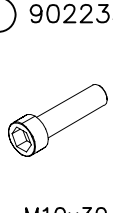
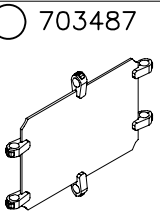
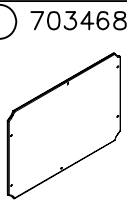
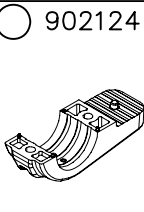
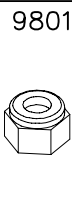
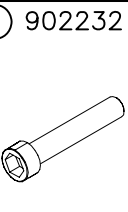
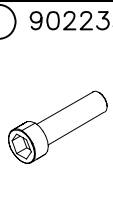
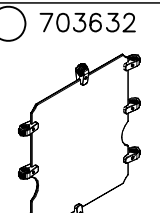
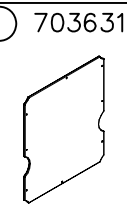
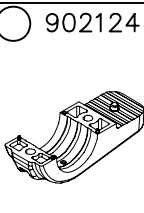
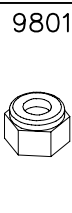
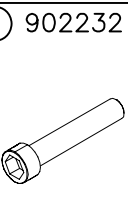
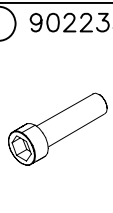
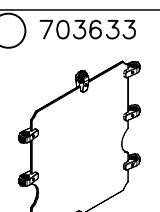
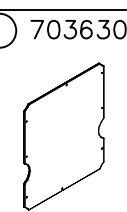
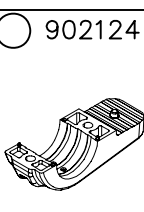
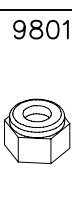
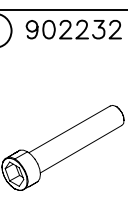
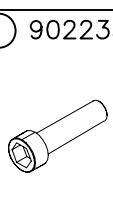
	 GRAY	PCS 1	 150x50x50	PCS 16	 M10	PCS 16	 M10x55	PCS 8	 M10x30	PCS 8		PCS
	 YELLOW	PCS 1	 150x50x50	PCS 16	 M10	PCS 16	 M10x55	PCS 8	 M10x30	PCS 8		PCS
		PCS		PCS		PCS		PCS		PCS		PCS
	 YELLOW	PCS 1	 150x50x50	PCS 20	 M10	PCS 20	 M10x55	PCS 10	 M10x30	PCS 10		PCS
	 GRAY	PCS 1	 150x50x50	PCS 20	 M10	PCS 20	 M10x55	PCS 10	 M10x30	PCS 10		PCS
		PCS		PCS		PCS		PCS		PCS		PCS
	 YELLOW	PCS 1	 150x50x50	PCS 28	 M10	PCS 28	 M10x55	PCS 14	 M10x30	PCS 14		PCS
	 GRAY	PCS 1	 150x50x50	PCS 28	 M10	PCS 28	 M10x55	PCS 14	 M10x30	PCS 14		PCS

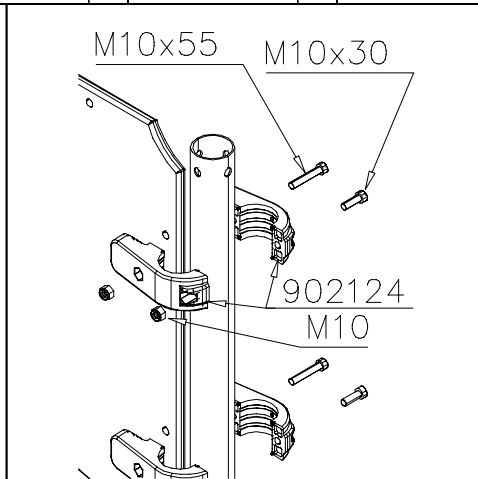
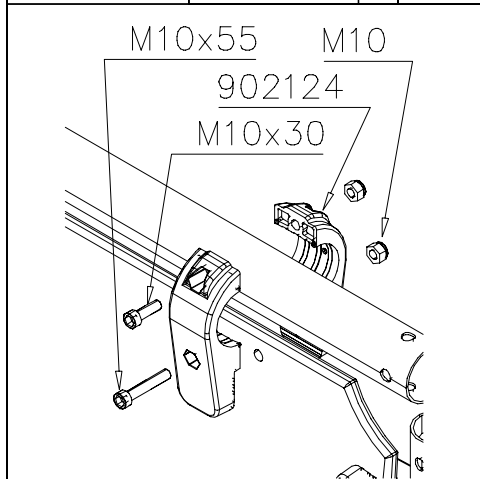
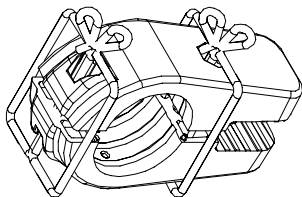
# WINAM GROUP WALL

# PARKOUR

DATE: 17.11.2010



	 YELLOW	PCS 1	 150x50x50	PCS 12	 M10	PCS 12	 M10x55	PCS 6	 M10x30	PCS 6		PCS
	 GRAY	PCS 1	 150x50x50	PCS 12	 M10	PCS 12	 M10x55	PCS 6	 M10x30	PCS 6		PCS
		PCS		PCS		PCS		PCS		PCS		PCS
	 YELLOW	PCS 1	 150x50x50	PCS 16	 M10	PCS 16	 M10x55	PCS 8	 M10x30	PCS 8		PCS
	 GRAY	PCS 1	 150x50x50	PCS 16	 M10	PCS 16	 M10x55	PCS 8	 M10x30	PCS 8		PCS
		PCS		PCS		PCS		PCS		PCS		PCS

NOTE:  
Use a wire marked pairs  
of the same junction.

Huom!  
Käytä langalla merkittyä  
paria samassa liitoksessa.