

# WINAM GROUP

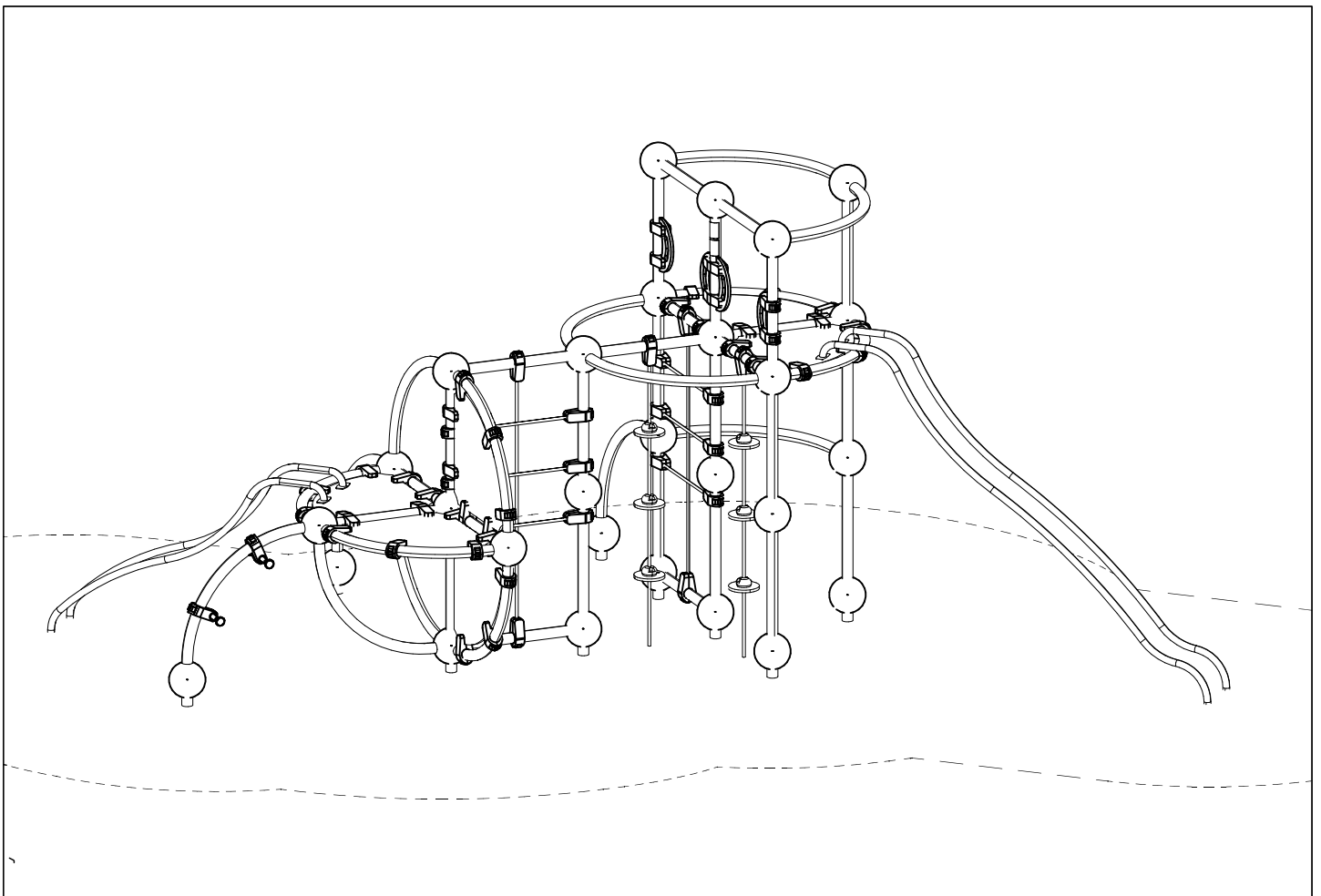


## CLOXX

ASENNUSOHJE  
MONTERINGSANSVISNING  
INSTALLATION INSTRUCTION  
AUFBAUANLEITUNG  
NOTICE D'INSTALLATION

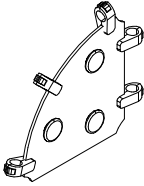

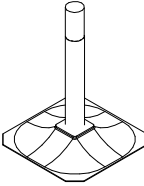

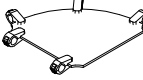

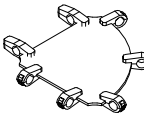

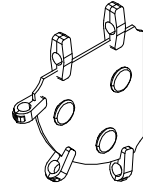



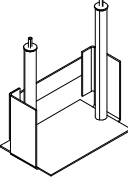

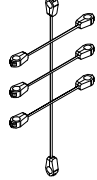

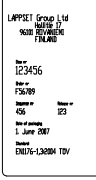
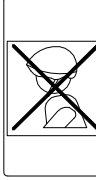
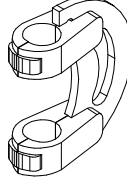

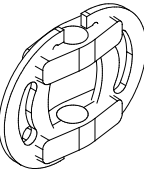



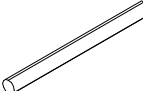
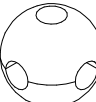

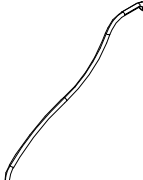

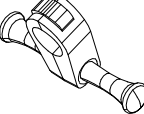

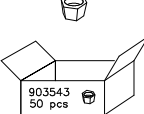
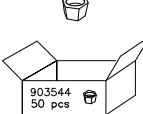
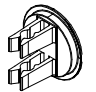
REF: 220140  
DATE: 11.1.2018

## 220140

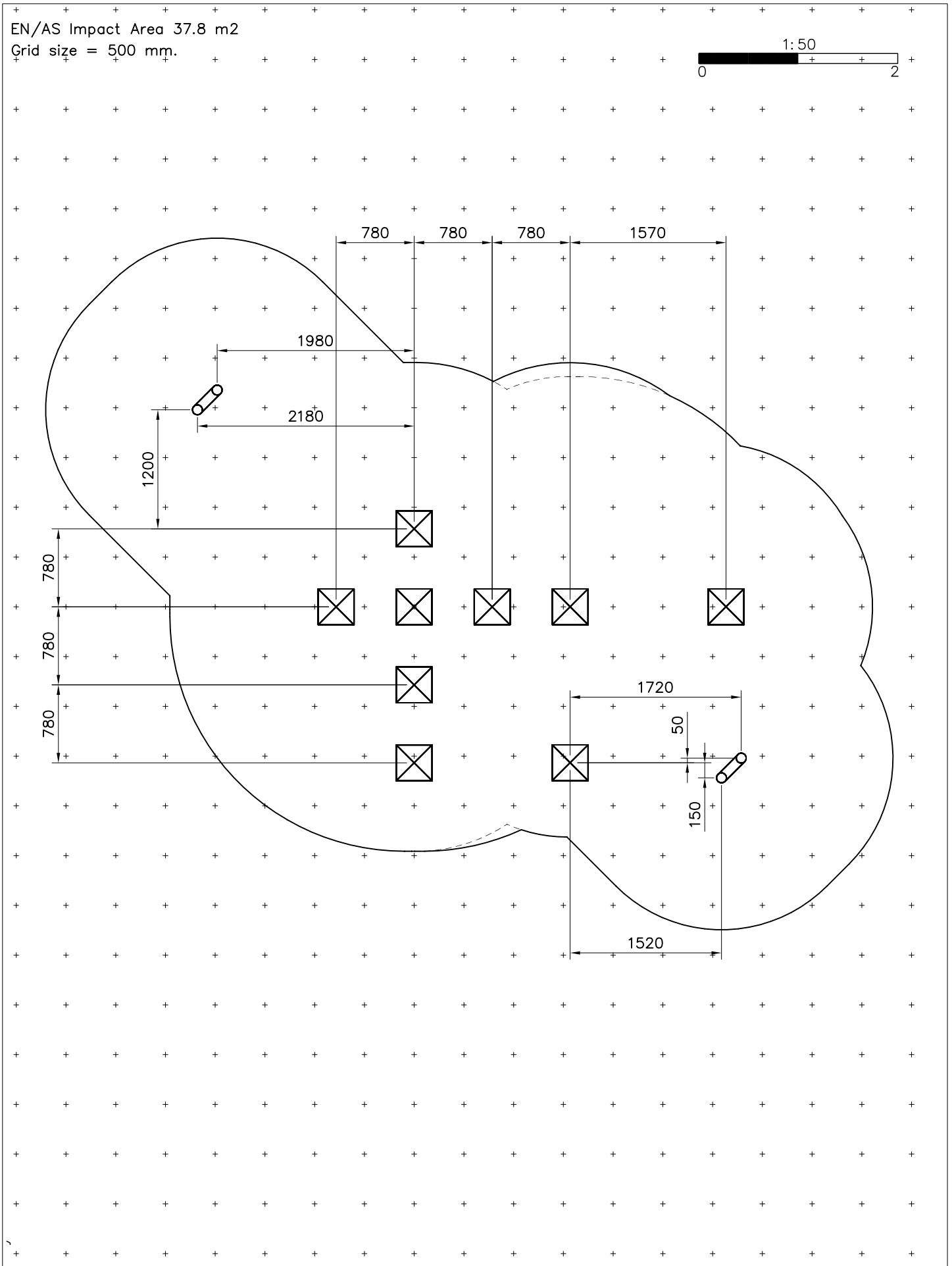
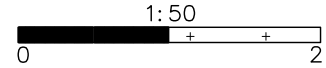


**CLOXX**

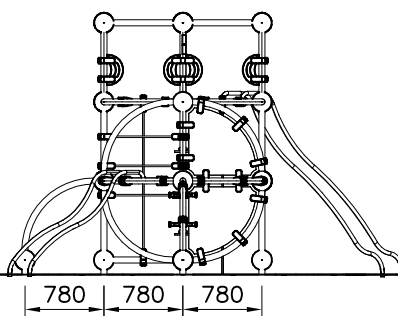
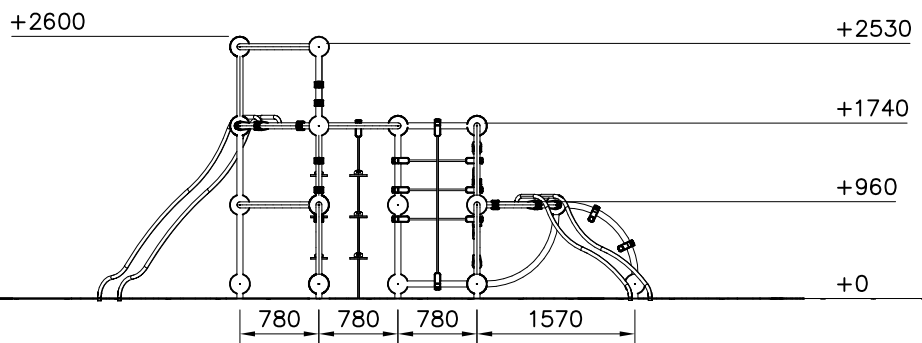
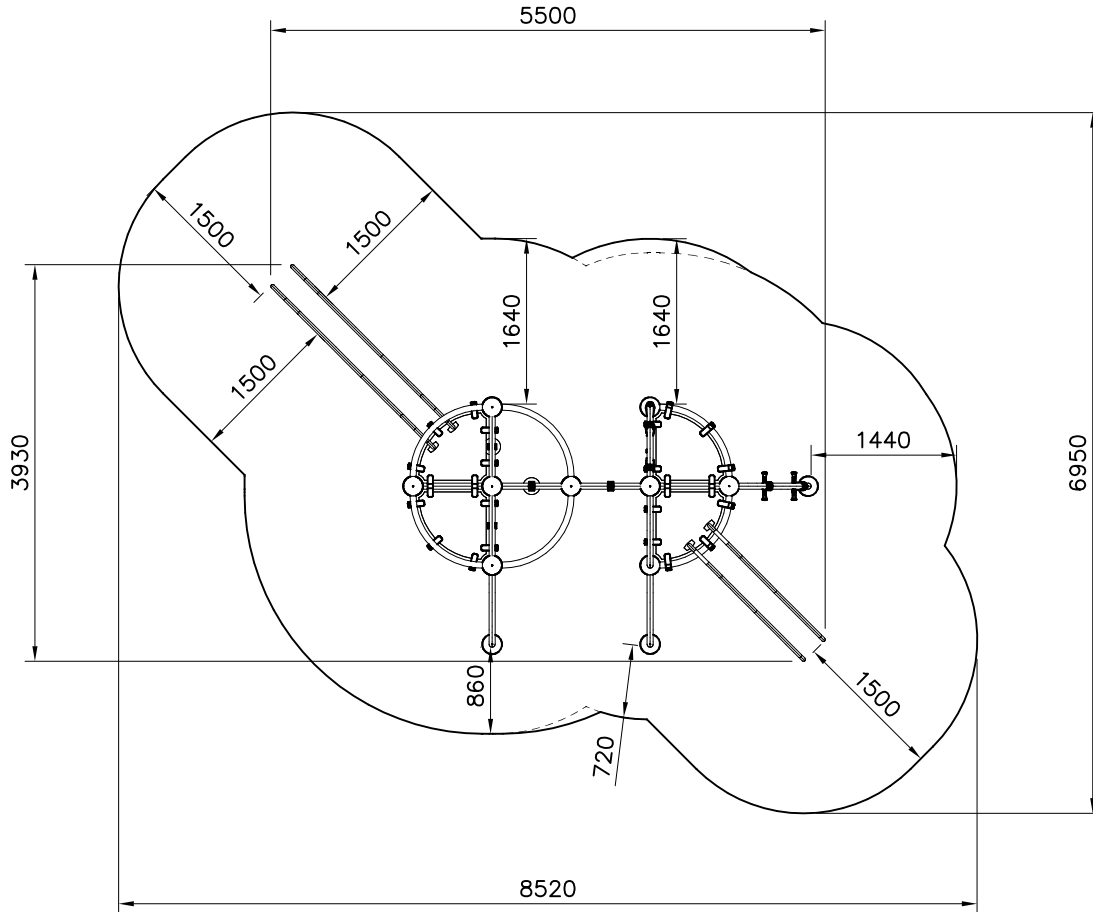
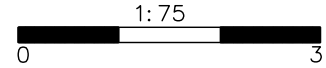
REF: 259110  
DATE: 11.1.2018

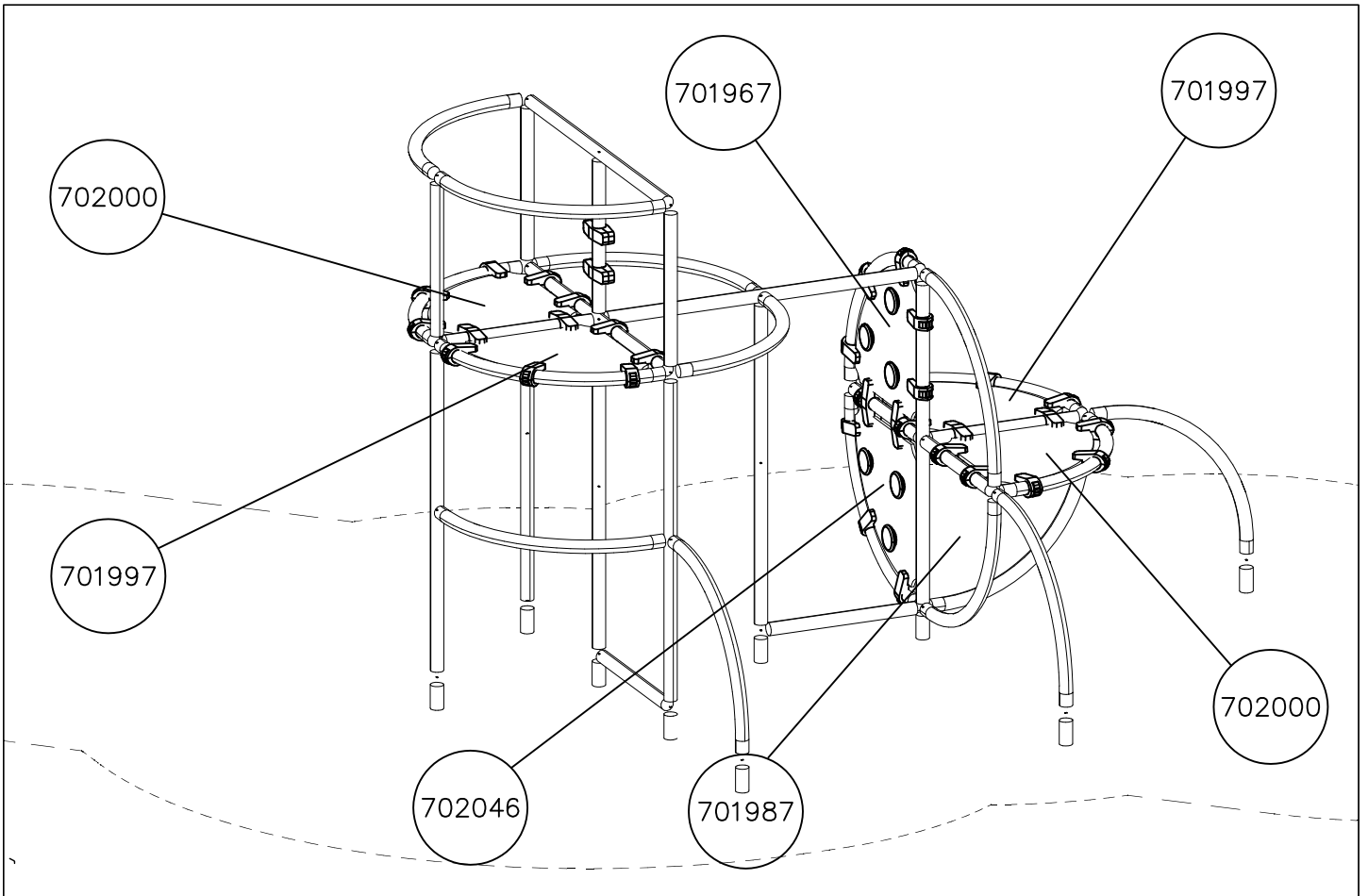
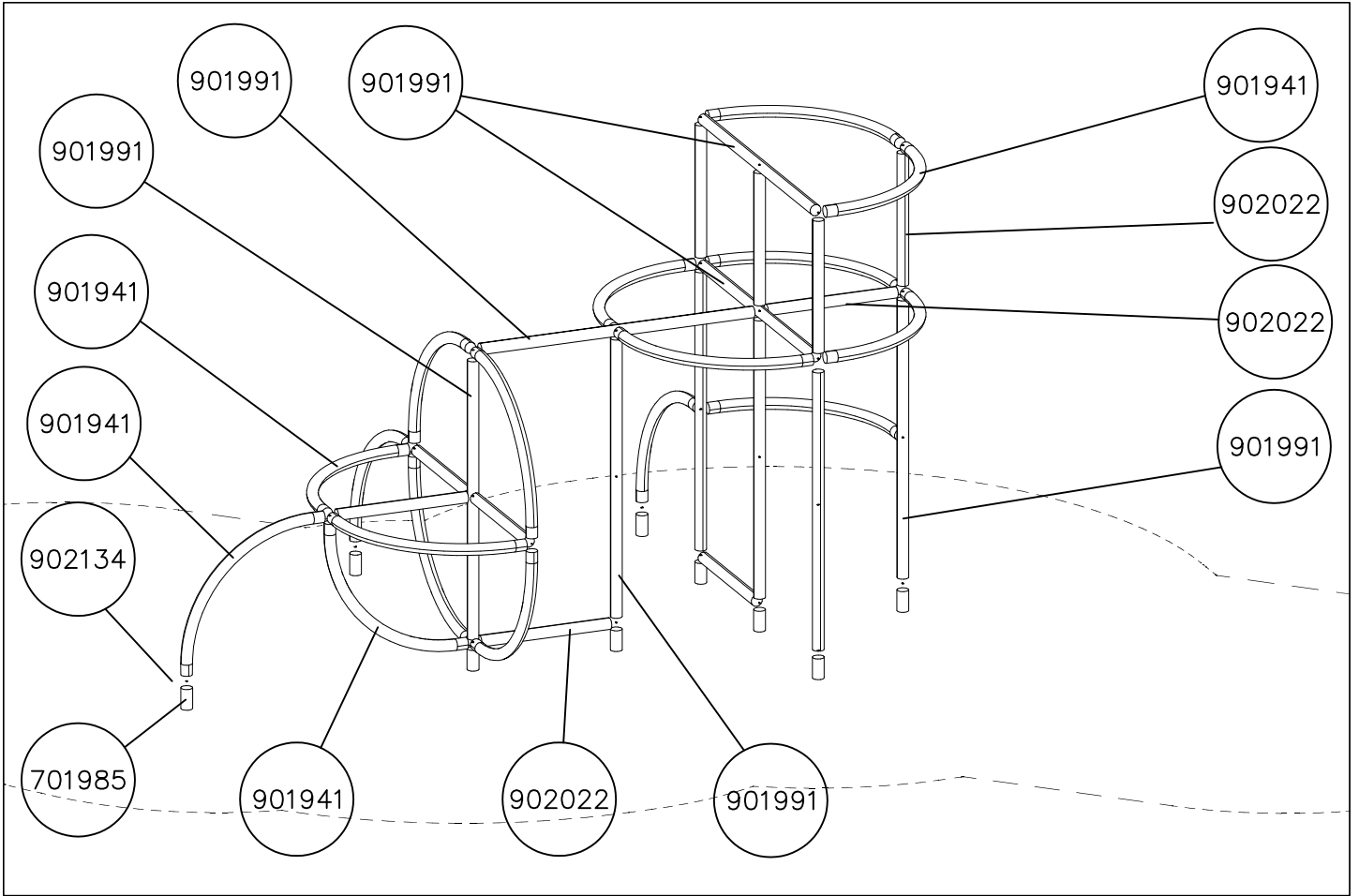
|  |  |  |   |  |  |
|--|--|--|---|--|--|
| 701967<br><br>PCS<br>1<br>     | 701985<br><br>PCS<br>9<br> | 701997<br><br>PCS<br>2<br> | 702000<br><br>PCS<br>2<br>    | 702046<br><br>PCS<br>1<br> | 702151<br><br>PCS<br>2<br> |
| 702285<br><br>PCS<br>2<br>     | 702291<br><br>PCS<br>2<br> | 702341<br><br>PCS<br>1<br>90x50   | 702633<br><br>PCS<br>1<br>90x50  | 704159<br><br>PCS<br>2<br> | 708315<br><br>PCS<br>1<br> |
| 901941<br><br>PCS<br>17   | 901991<br><br>PCS<br>9<br>L 1493  | 902022<br><br>PCS<br>10<br>L 710  | 902134<br><br>PCS<br>28<br> | 902141<br><br>PCS<br>2  | 902177<br><br>PCS<br>2  |
| 902253<br><br>PCS<br>2<br> | 903699<br><br>PCS<br>3<br>903543<br>50 pcs<br>M10/50pcs   | 903700<br><br>PCS<br>4<br>903544<br>50 pcs<br>M12/50pcs   | 904747<br><br>PCS<br>69<br>60x60x2   |  |  |
|  |  |  |   |  |  |
|  |  |  |   |  |  |
|  |  |  |   |  |  |

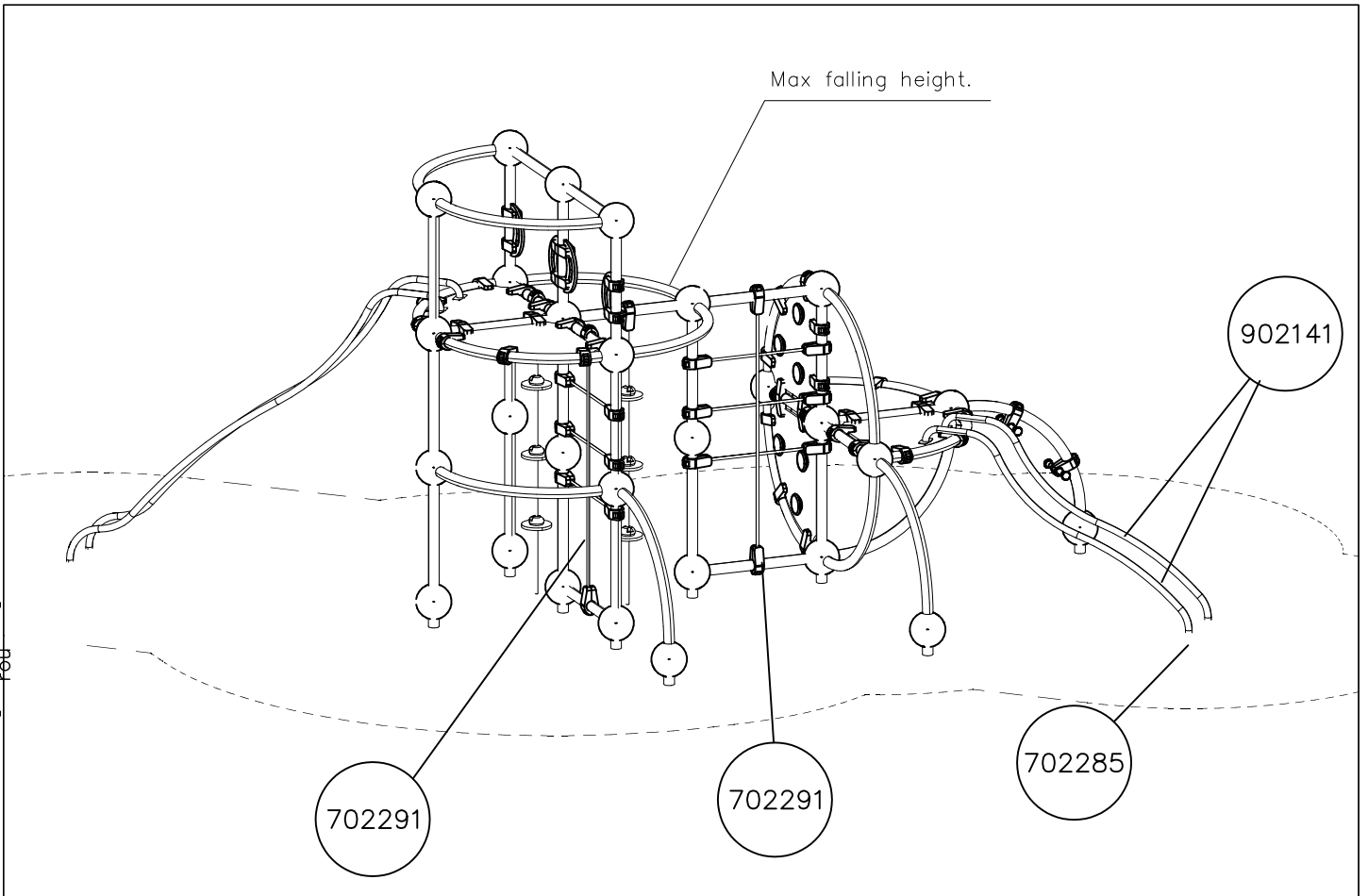
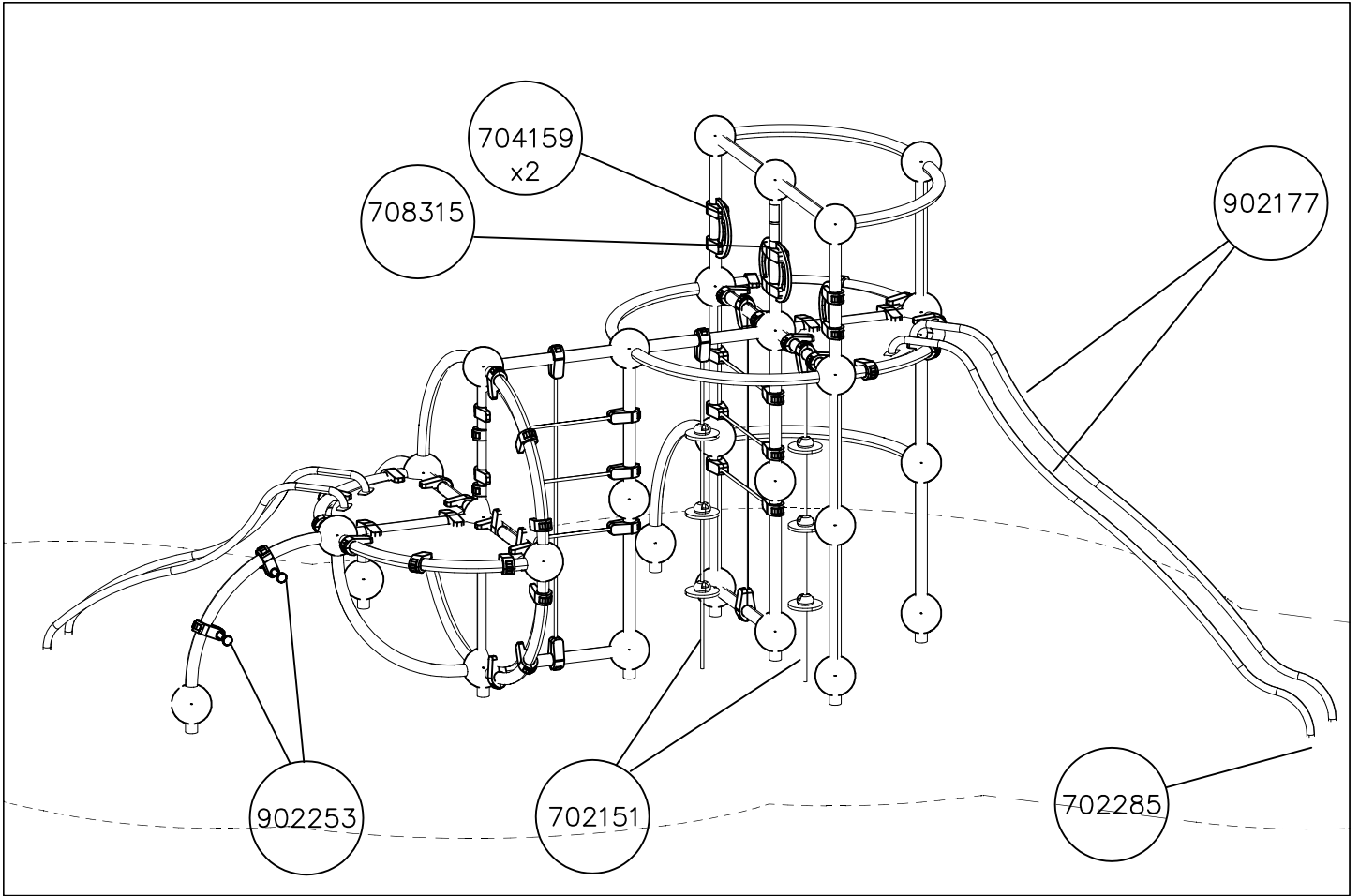
EN/AS Impact Area 37.8 m<sup>2</sup>  
Grid size = 500 mm.

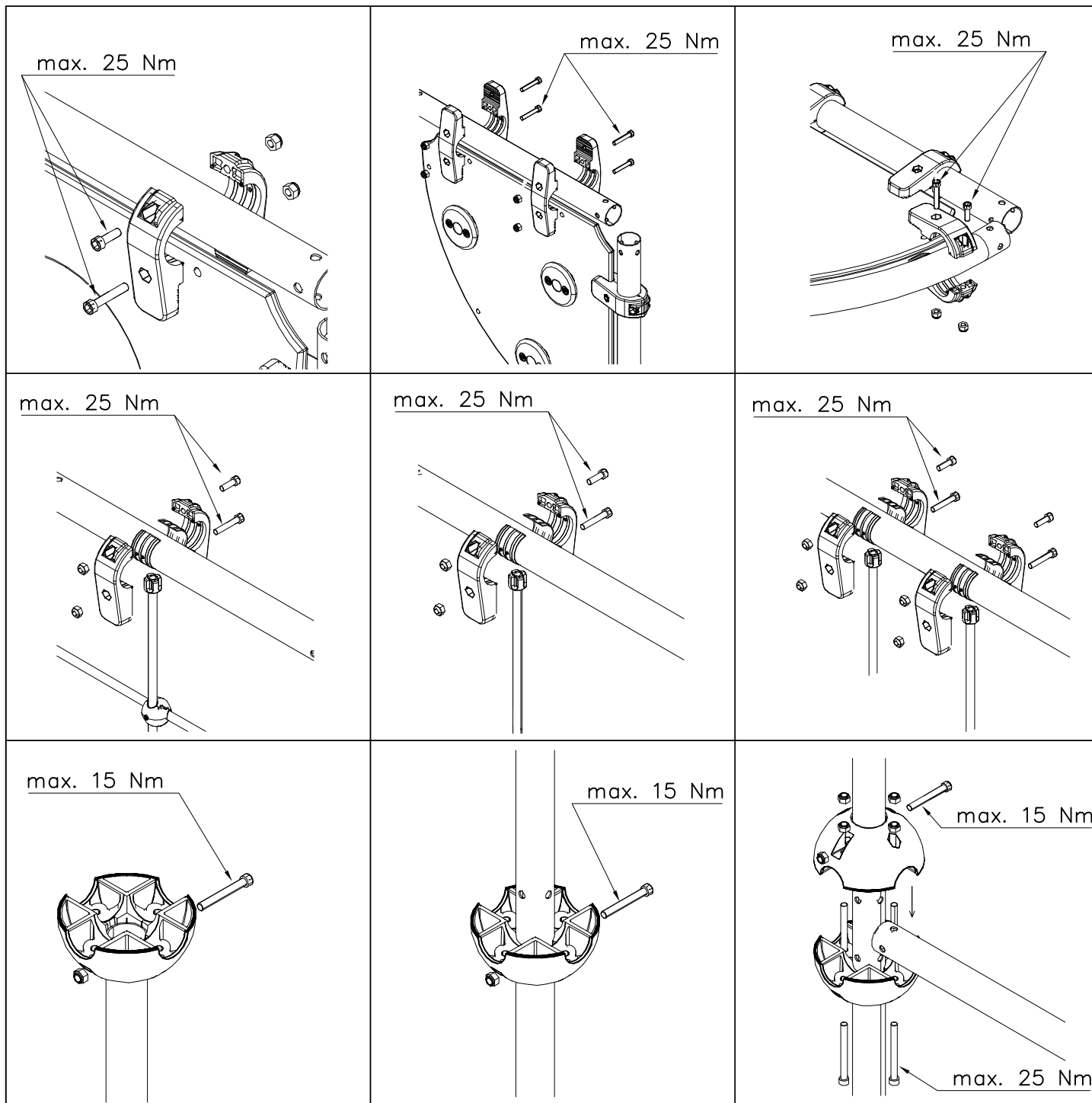


EN/AS Impact Area 37.8 m<sup>2</sup>  
Max falling height 1740 mm.  
Falling Space Area 37.8 m<sup>2</sup>





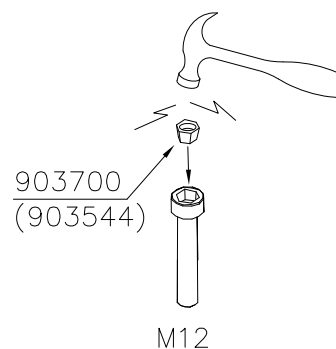
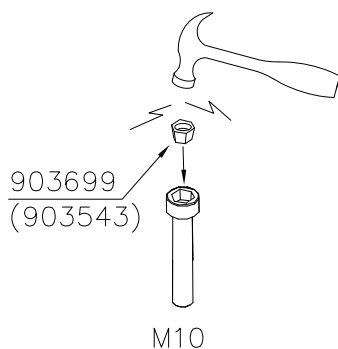


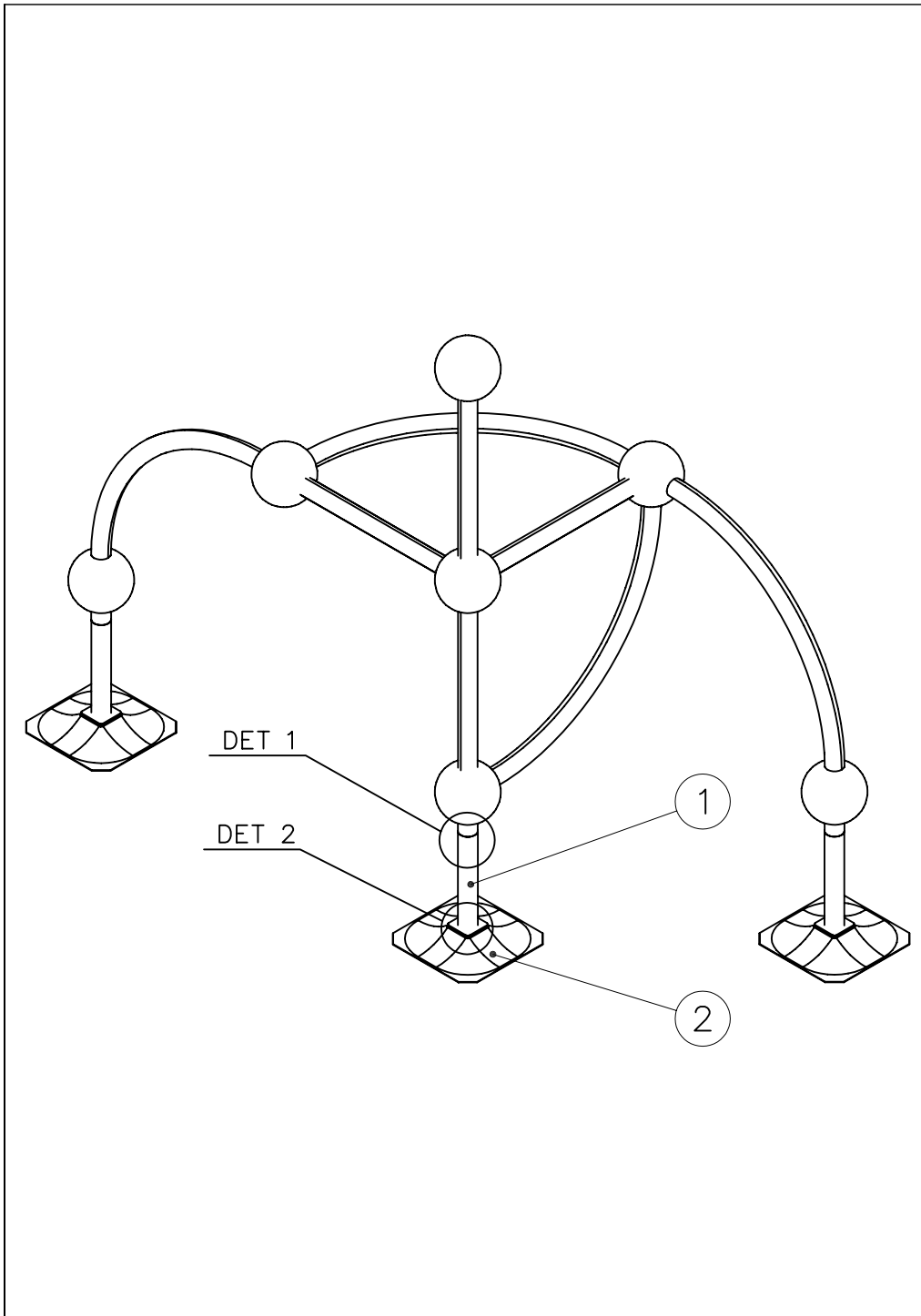



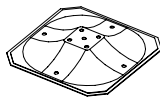
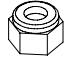

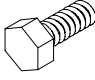
Security plugs are included only for selected products.

Hox!  
Pultit on kiristettävä lopulliseen kireyteen, ennen turvapinnien asennusta.

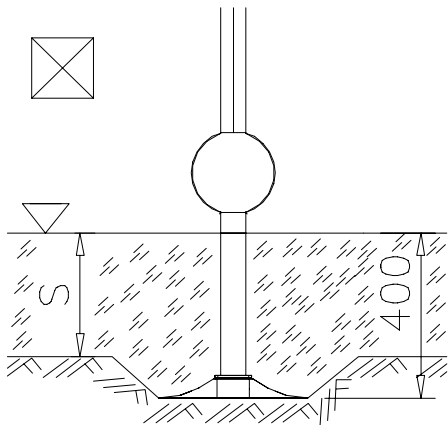
Note!  
Tighten bolts properly, before installing security plugs.



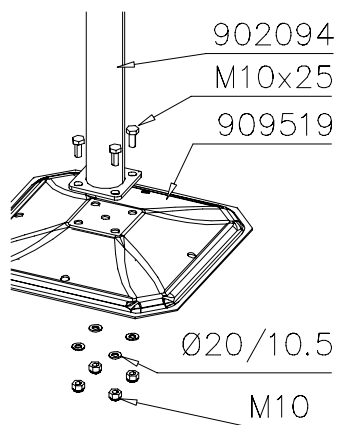


|   |   |     |   |        |     |
|---|---|-----|---|--------|-----|
| ① | 902094  | PCS | ②   | 909519 | PCS |
|   |  | 1   |  |        | 1   |
|   | Ø60x450   |     | 50x380x380  |        |     |
| ③ | 909637  | PCS | ④   | 909638 | PCS |
|   |  | 4   |  |        | 4   |
|   | M10   |     | Ø20/10,5  |        |     |
| ⑤ | 909639  | PCS |   |        | PCS |
|   |  | 4   |   |        |     |
|   | M10x25  |     |   |        |     |
|   |   | PCS |   |        | PCS |
|   |   |     |   |        |     |
|   |   | PCS |   |        | PCS |
|   |   |     |   |        |     |
|   |   | PCS |   |        | PCS |
|   |   |     |   |        |     |

DET 1



DET 2





# WINAM GROUP WALL AND FLOOR

# CLOXX

DATE: 3.8.2010



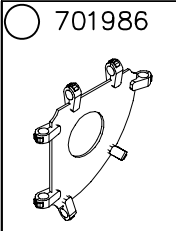
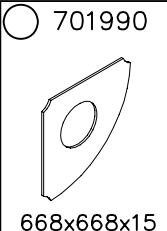
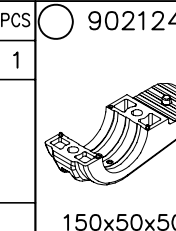
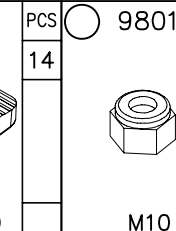
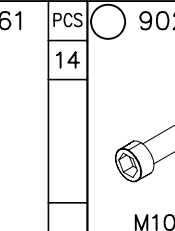
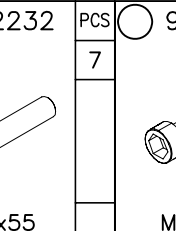
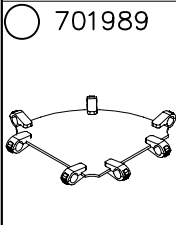
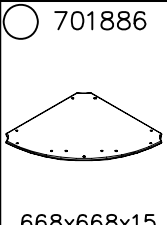
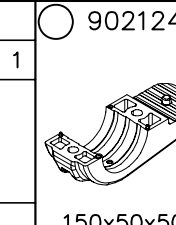
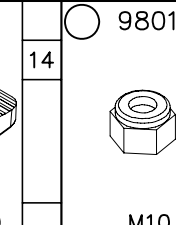
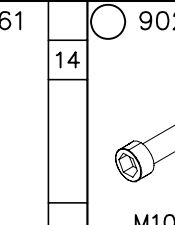
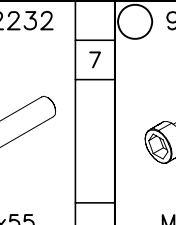
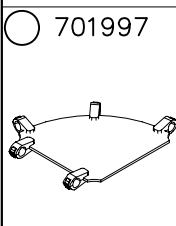
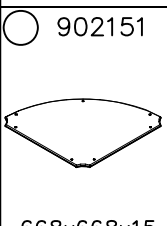
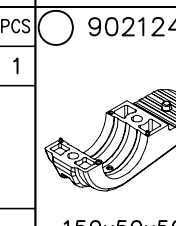
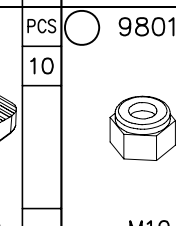
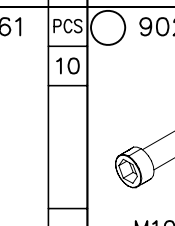
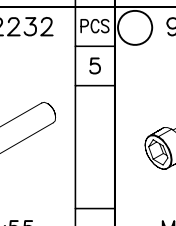
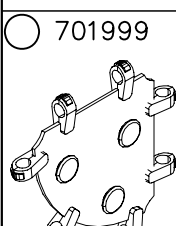
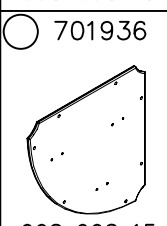
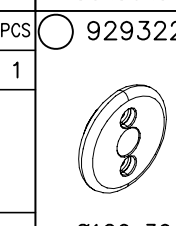
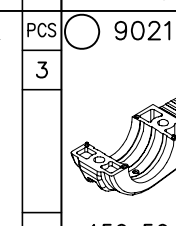
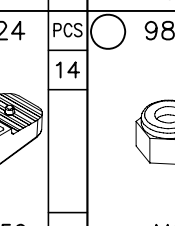
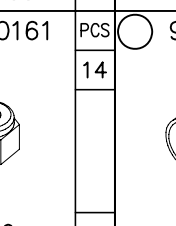
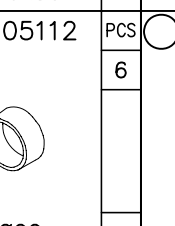
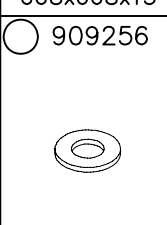
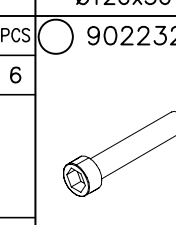
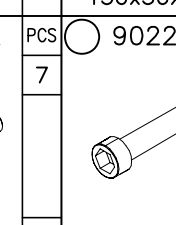
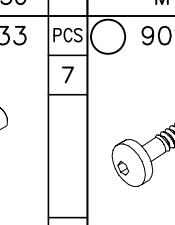
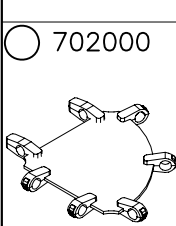
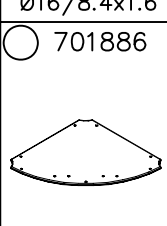
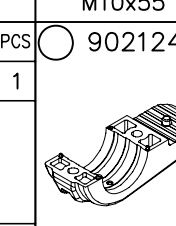
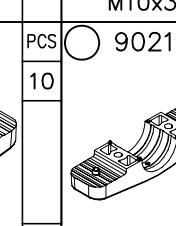
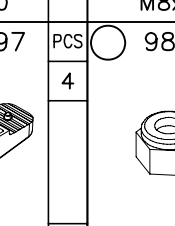
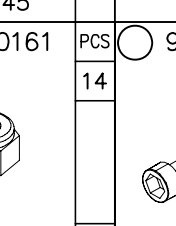
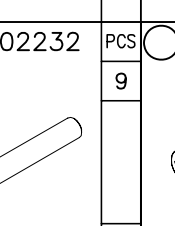
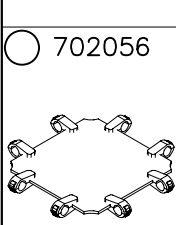
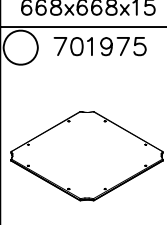
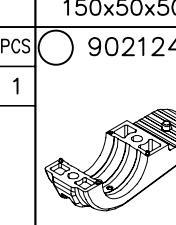
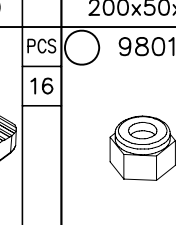
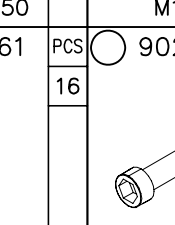
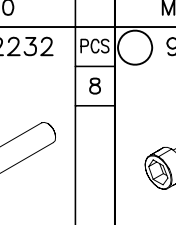
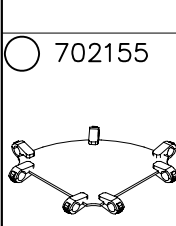
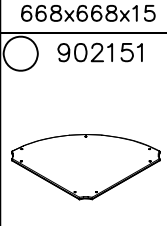
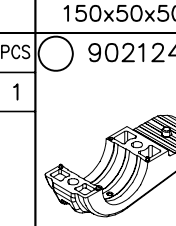
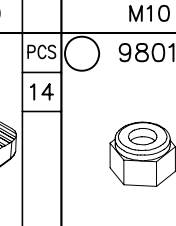
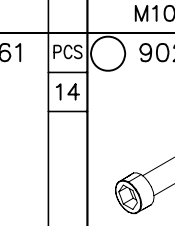
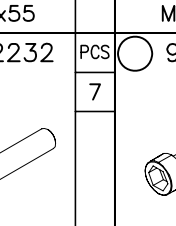
|               |                                  |                     |                                  |                     |                                |                      |                                |                      |                            |                      |                          |                     |
|---------------|----------------------------------|---------------------|----------------------------------|---------------------|--------------------------------|----------------------|--------------------------------|----------------------|----------------------------|----------------------|--------------------------|---------------------|
| <p>701967</p> | <p>701936</p> <p>668x668x15</p>  | <p>PCS</p> <p>1</p> | <p>929322</p> <p>Ø120x30</p>     | <p>PCS</p> <p>3</p> | <p>902124</p> <p>150x50x50</p> | <p>PCS</p> <p>10</p> | <p>980161</p> <p>M10</p>       | <p>PCS</p> <p>10</p> | <p>905112</p> <p>Ø22</p>   | <p>PCS</p> <p>6</p>  | <p>980150</p> <p>M8</p>  | <p>PCS</p> <p>6</p> |
|               | <p>909256</p> <p>Ø16/8.4x1.6</p> | <p>PCS</p> <p>6</p> | <p>902232</p> <p>M10x55</p>      | <p>PCS</p> <p>5</p> | <p>902233</p> <p>M10x30</p>    | <p>PCS</p> <p>5</p>  | <p>901899</p> <p>M8x45</p>     | <p>PCS</p> <p>6</p>  |                            | <p>PCS</p>           |                          | <p>PCS</p>          |
|               |                                  | <p>PCS</p>          |                                  | <p>PCS</p>          |                                | <p>PCS</p>           |                                | <p>PCS</p>           |                            | <p>PCS</p>           |                          | <p>PCS</p>          |
| <p>701987</p> | <p>701936</p> <p>668x668x15</p>  | <p>PCS</p> <p>1</p> | <p>929322</p> <p>Ø120x30</p>     | <p>PCS</p> <p>3</p> | <p>902124</p> <p>150x50x50</p> | <p>PCS</p> <p>10</p> | <p>902197</p> <p>200x50x50</p> | <p>PCS</p> <p>4</p>  | <p>980161</p> <p>M10</p>   | <p>PCS</p> <p>14</p> | <p>905112</p> <p>Ø22</p> | <p>PCS</p> <p>6</p> |
|               | <p>980160</p> <p>M8</p>          | <p>PCS</p> <p>6</p> | <p>909256</p> <p>Ø16/8.4x1.6</p> | <p>PCS</p> <p>6</p> | <p>902232</p> <p>M10x55</p>    | <p>PCS</p> <p>9</p>  | <p>902233</p> <p>M10x30</p>    | <p>PCS</p> <p>5</p>  | <p>901899</p> <p>M8x45</p> | <p>PCS</p> <p>6</p>  |                          | <p>PCS</p>          |
|               |                                  | <p>PCS</p>          |                                  | <p>PCS</p>          |                                | <p>PCS</p>           |                                | <p>PCS</p>           |                            | <p>PCS</p>           |                          | <p>PCS</p>          |
| <p>702046</p> | <p>701936</p> <p>668x668x15</p>  | <p>PCS</p> <p>1</p> | <p>929322</p> <p>Ø120x30</p>     | <p>PCS</p> <p>3</p> | <p>902124</p> <p>150x50x50</p> | <p>PCS</p> <p>10</p> | <p>902197</p> <p>200x50x50</p> | <p>PCS</p> <p>4</p>  | <p>980161</p> <p>M10</p>   | <p>PCS</p> <p>10</p> | <p>905112</p> <p>Ø22</p> | <p>PCS</p> <p>6</p> |
|               | <p>980150</p> <p>M8</p>          | <p>PCS</p> <p>6</p> | <p>909256</p> <p>Ø16/8.4x1.6</p> | <p>PCS</p> <p>6</p> | <p>902232</p> <p>M10x55</p>    | <p>PCS</p> <p>7</p>  | <p>902233</p> <p>M10x30</p>    | <p>PCS</p> <p>3</p>  | <p>901899</p> <p>M8x45</p> | <p>PCS</p> <p>6</p>  |                          | <p>PCS</p>          |

# WINAM GROUP WALL AND FLOOR

# CLOXX

DATE: 3.8.2010

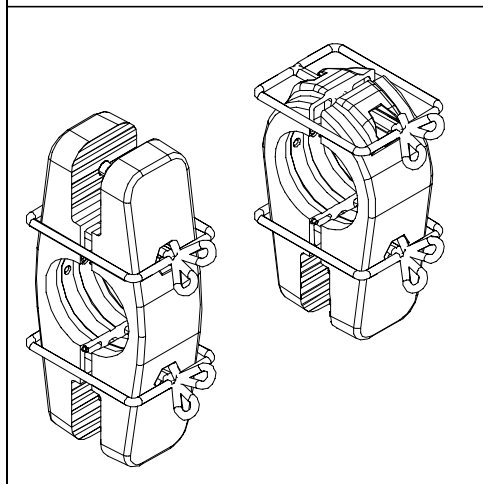
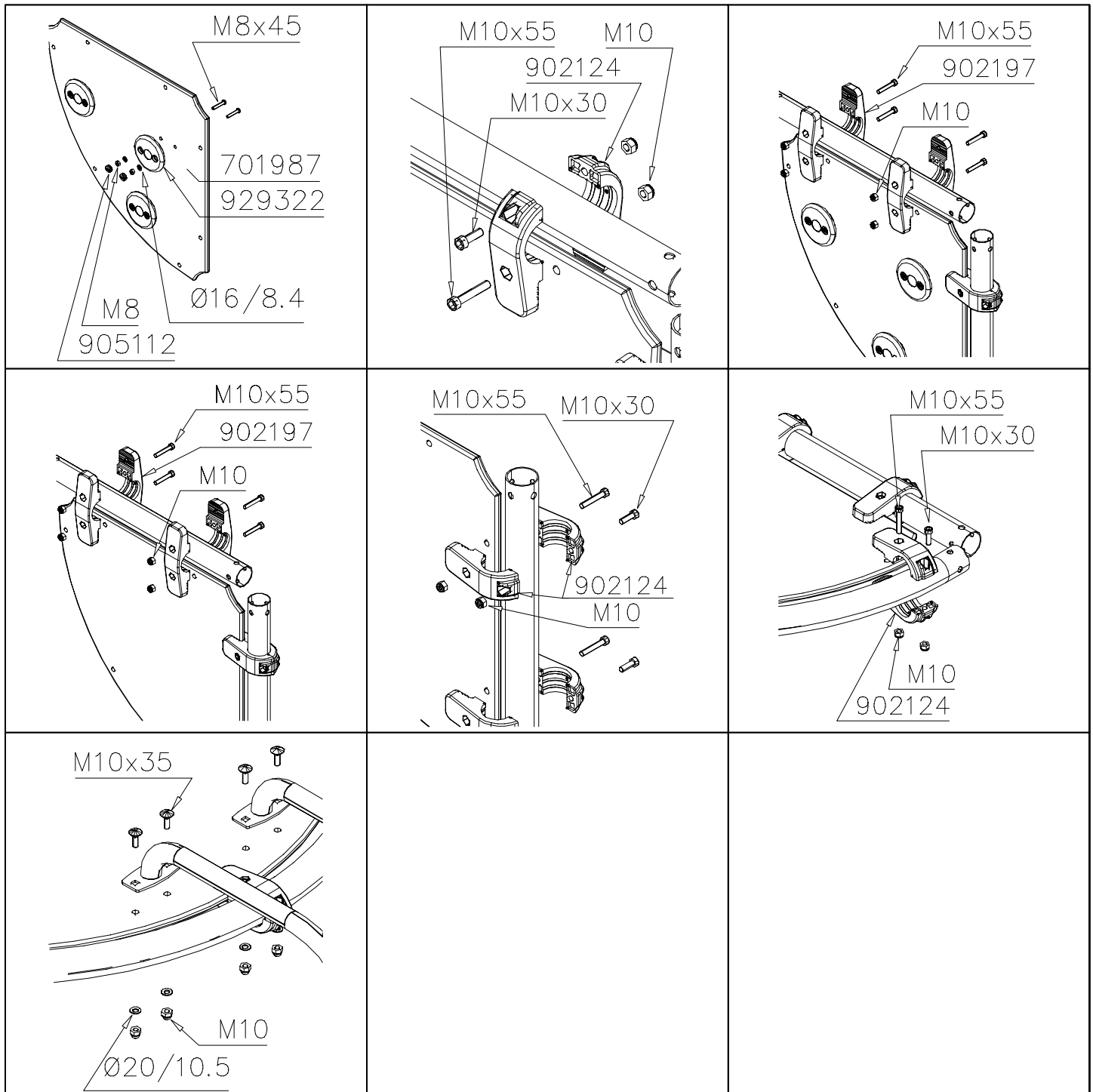


|  |  |          |  |           |  |           |   |           |  |          |   |          |
|--|--|----------|--|-----------|--|-----------|---|-----------|--|----------|---|----------|
| <br>701986   | <br>668x668x15    | PCS<br>1 | <br>150x50x50   | PCS<br>14 | <br>M10         | PCS<br>14 | <br>M10x55   | PCS<br>7  | <br>M10x30   | PCS<br>7 |   | PCS      |
| <br>701989   | <br>668x668x15    | PCS<br>1 | <br>150x50x50   | PCS<br>14 | <br>M10         | PCS<br>14 | <br>M10x55   | PCS<br>7  | <br>M10x30   | PCS<br>7 |   | PCS      |
| <br>701997   | <br>668x668x15    | PCS<br>1 | <br>150x50x50   | PCS<br>10 | <br>M10         | PCS<br>10 | <br>M10x55   | PCS<br>5  | <br>M10x30   | PCS<br>5 |   | PCS      |
| <br>701999  | <br>668x668x15   | PCS<br>1 | <br>Ø120x30    | PCS<br>3  | <br>150x50x50  | PCS<br>14 | <br>M10     | PCS<br>14 | <br>Ø22     | PCS<br>6 | <br>M8      | PCS<br>6 |
|  | <br>Ø16/8.4x1.6 | PCS<br>6 | <br>M10x55    | PCS<br>7  | <br>M10x30    | PCS<br>7  | <br>M8x45  | PCS<br>6  |  | PCS      |   | PCS      |
| <br>702000 | <br>668x668x15  | PCS<br>1 | <br>150x50x50 | PCS<br>10 | <br>200x50x50 | PCS<br>4  | <br>M10    | PCS<br>14 | <br>M10x55 | PCS<br>9 | <br>M10x30 | PCS<br>5 |
| <br>702056 | <br>668x668x15  | PCS<br>1 | <br>150x50x50 | PCS<br>16 | <br>M10       | PCS<br>16 | <br>M10x55 | PCS<br>8  | <br>M10x30 | PCS<br>8 |   | PCS      |
| <br>702155 | <br>668x668x15  | PCS<br>1 | <br>150x50x50 | PCS<br>14 | <br>M10       | PCS<br>14 | <br>M10x55 | PCS<br>7  | <br>M10x30 | PCS<br>7 |   | PCS      |

# WINAM GROUP WALL AND FLOOR

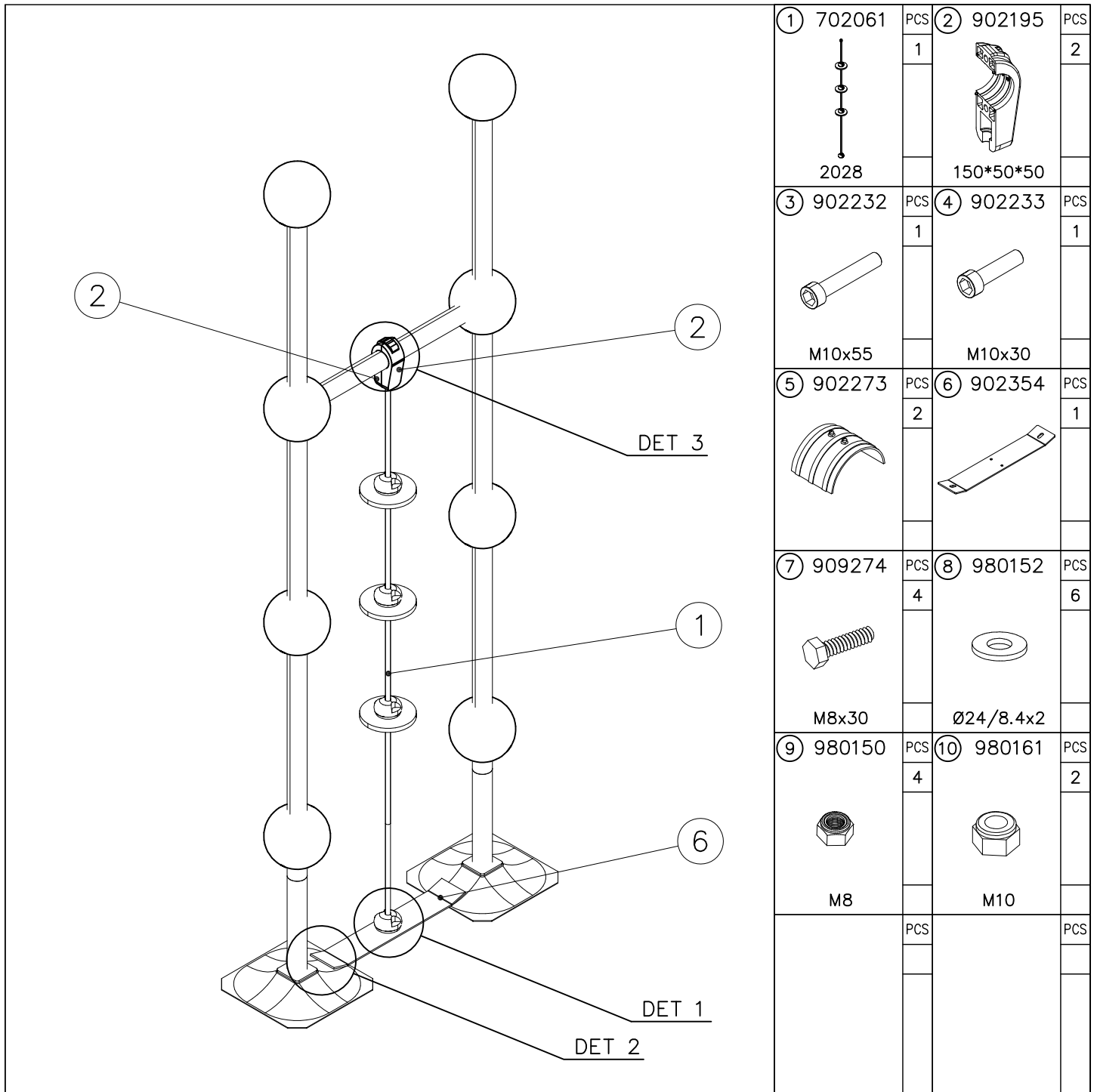
# CLOXX



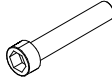
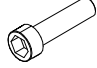
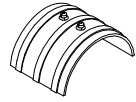
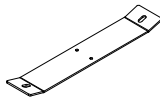
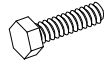
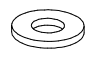


DATE: 3.8.2010



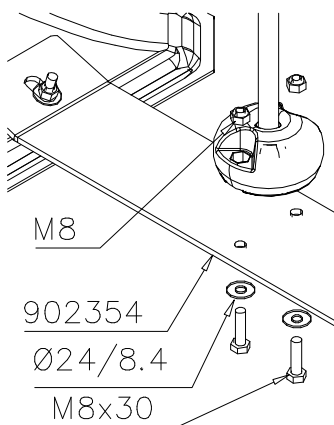
NOTE:  
Use a wire marked pairs  
of the same junction.

Huom!  
Käytä langalla merkittyä  
paria samassa liitoksessa.

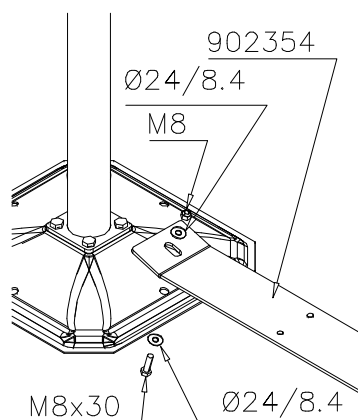


|   |     |   |     |
|---|-----|---|-----|
| ① 702061  | PCS | ② 902195  | PCS |
|    | 1   |    | 2   |
| 2028  |     | 150*50*50   |     |
| ③ 902232  | PCS | ④ 902233  | PCS |
|    | 1   |    | 1   |
| M10x55  |     | M10x30  |     |
| ⑤ 902273  | PCS | ⑥ 902354  | PCS |
|    | 2   |    | 1   |
|   |     |   |     |
| ⑦ 909274  | PCS | ⑧ 980152  | PCS |
|  | 4   |  | 6   |
| M8x30   |     | Ø24/8.4x2   |     |
| ⑨ 980150  | PCS | ⑩ 980161  | PCS |
|  | 4   |  | 2   |
| M8  |     | M10   |     |
|   | PCS |   | PCS |

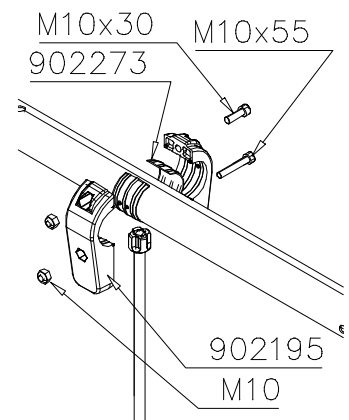
DET 1

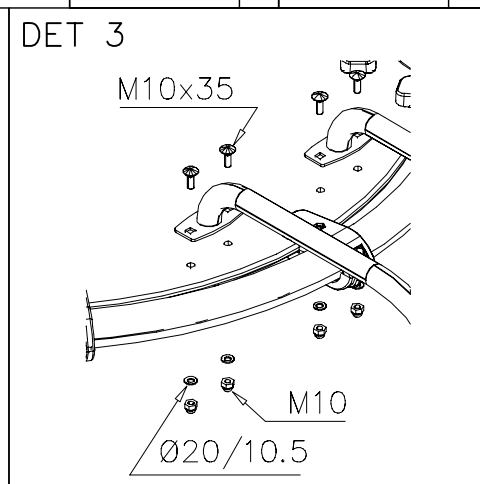
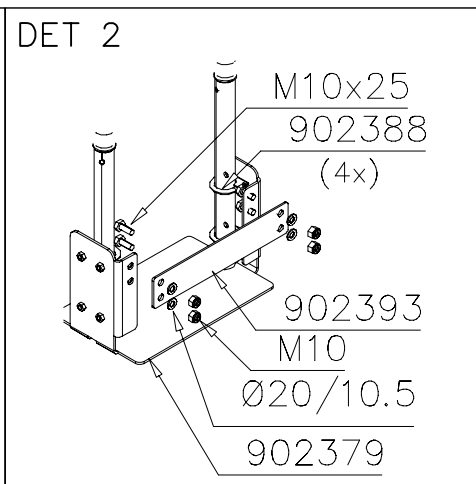
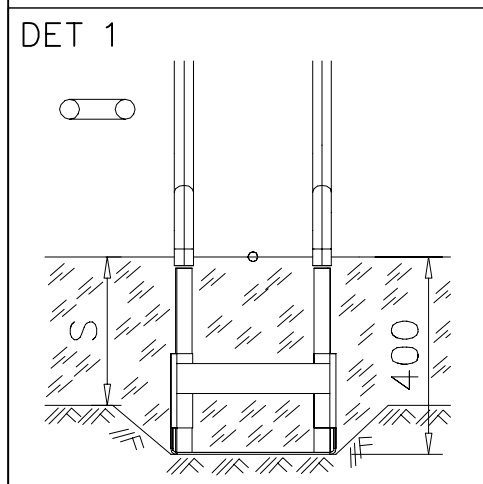
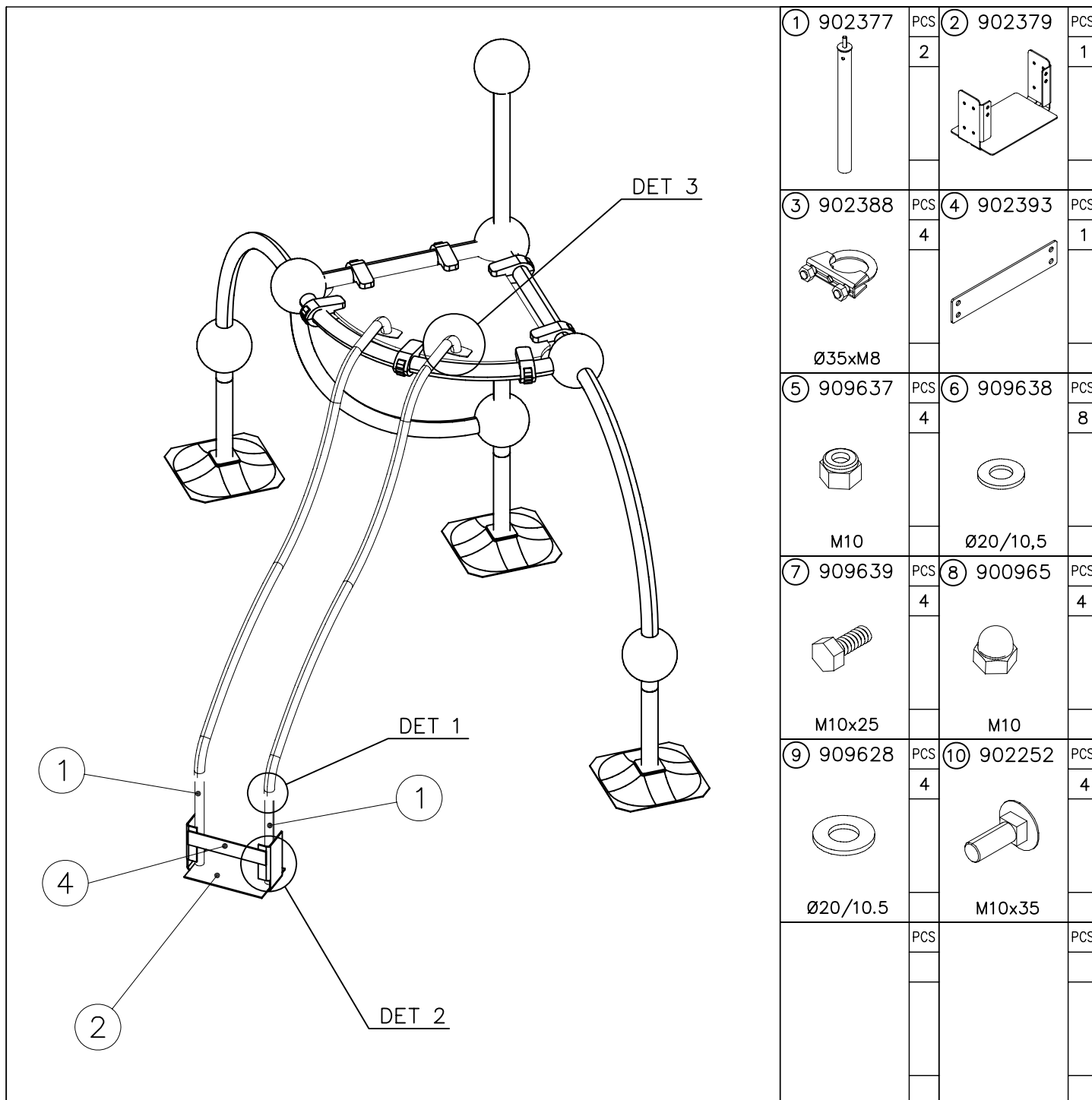


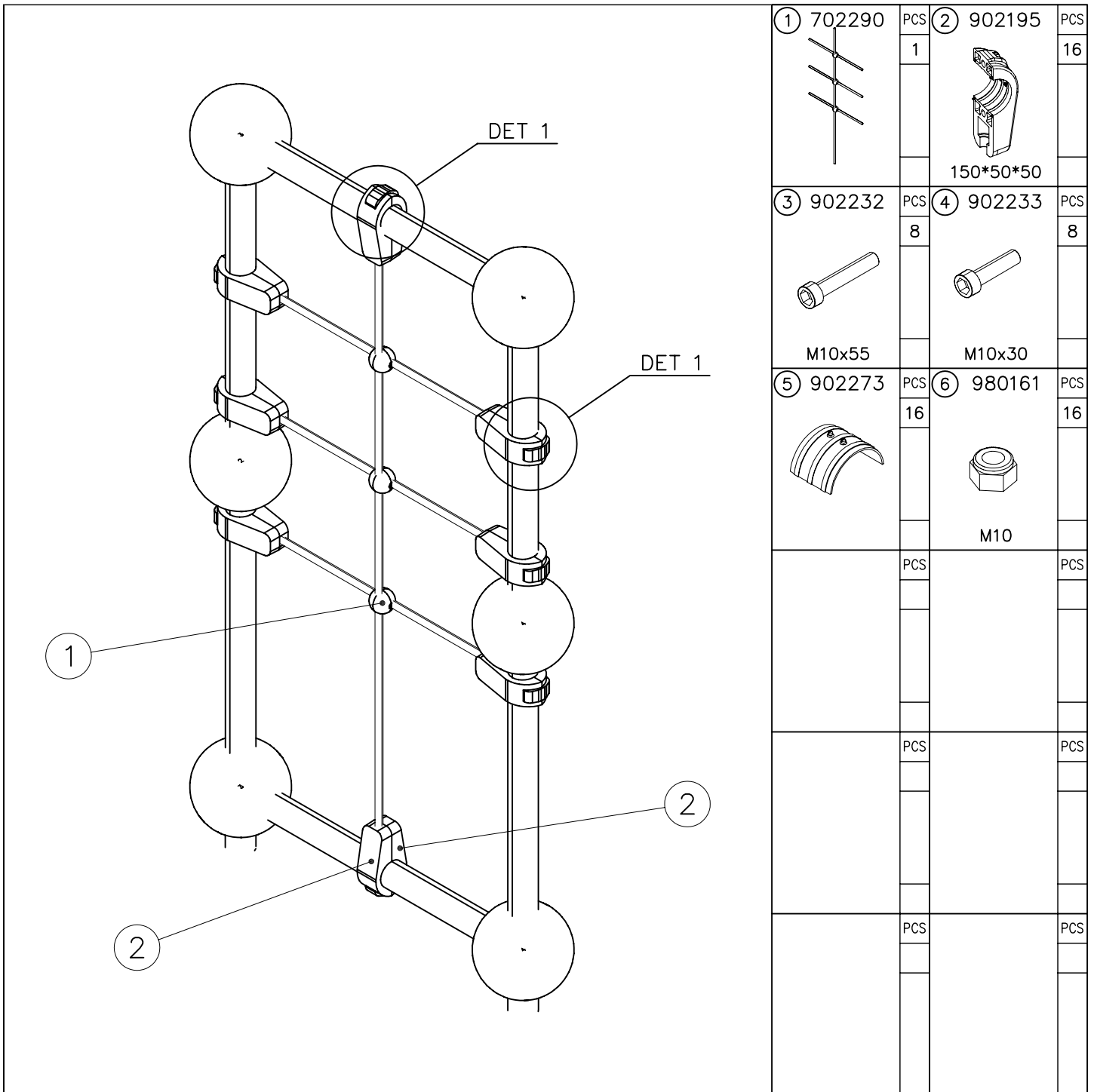
DET 2



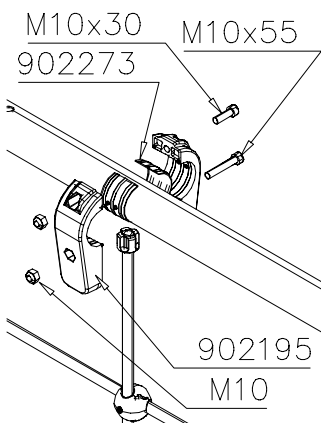
DET 3

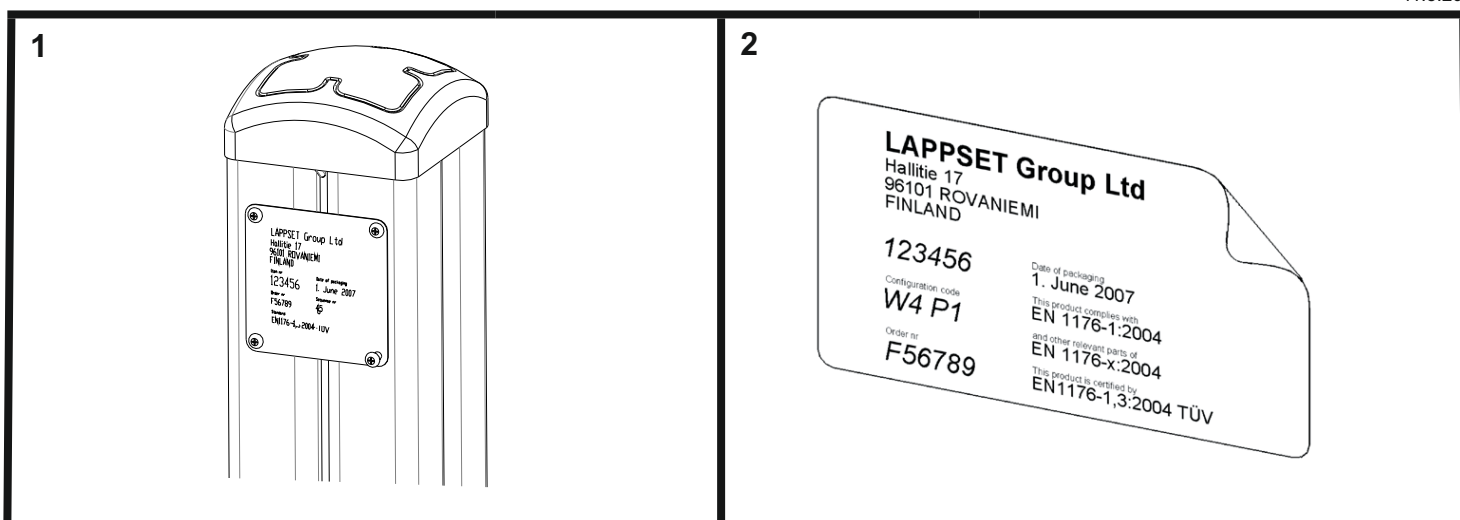






DET 1





### Tuotekyltti tulee tuotteen mukana yhdellä seuraavista tavoista:

#### 1) Metallinen tuotekyltti ja kiinnitysruuvit

- Kiinnitä tuotekyltti ruuveilla tolppaan noin 2 metrin korkeuteen kuvan 2 mukaisesti.

#### 2) Tuotekylttitarra

- Puhdista maalattu metalli- tai vaneripinta pölystä ja kosteudesta. Liimaa tarra kuvan 3 mukaisesti.
- Huom. Älä kiinnitä tarraa karheapintaiseen laminaattiin tai maalattuun puuhun.

### Vår produktmärkning levereras på ett av följande sätt:

#### 1) Produktskylt i metall

- Fäst skylten med de medföljande skruvarna

#### 2) Självhäftande produktetikett

- Rengör den pulverlackerad metallytan eller laminatytans åttanblirfrifrån smutsoch fukt. Fäst etiketten enligt fig. 3.
- Obs! Fäst ej etiketten på detaljer med skrovlig yta eller på målat trä.

### Product label is delivered by one of following ways:

#### 1) Metal product label and screws

- Fasten the label with screws.

#### 2) Label sticker

- Clean the painted metal or plywood surface from dirt and moisture. Fasten the sticker as shown in the figure 3.
- Note. Do not attach the sticker to rough surfaced laminate or painted wood.

### La plaque d'informations produit est livrée sous l'une de ces 3 formes :

#### 1) Plaque métallique et vis

- Fixez la plaque à l'aide des vis.

#### 2) Etiquette autocollante

- Avant de coller l'étiquette, nettoyez le composant métallique peint ou la plaque de contreplaqué, de toute saleté. La surface doit être sèche (voir image 3).
- Attention, ne pas coller l'étiquette sur une surface lamellé-collée irrégulière ou sur du bois peint.

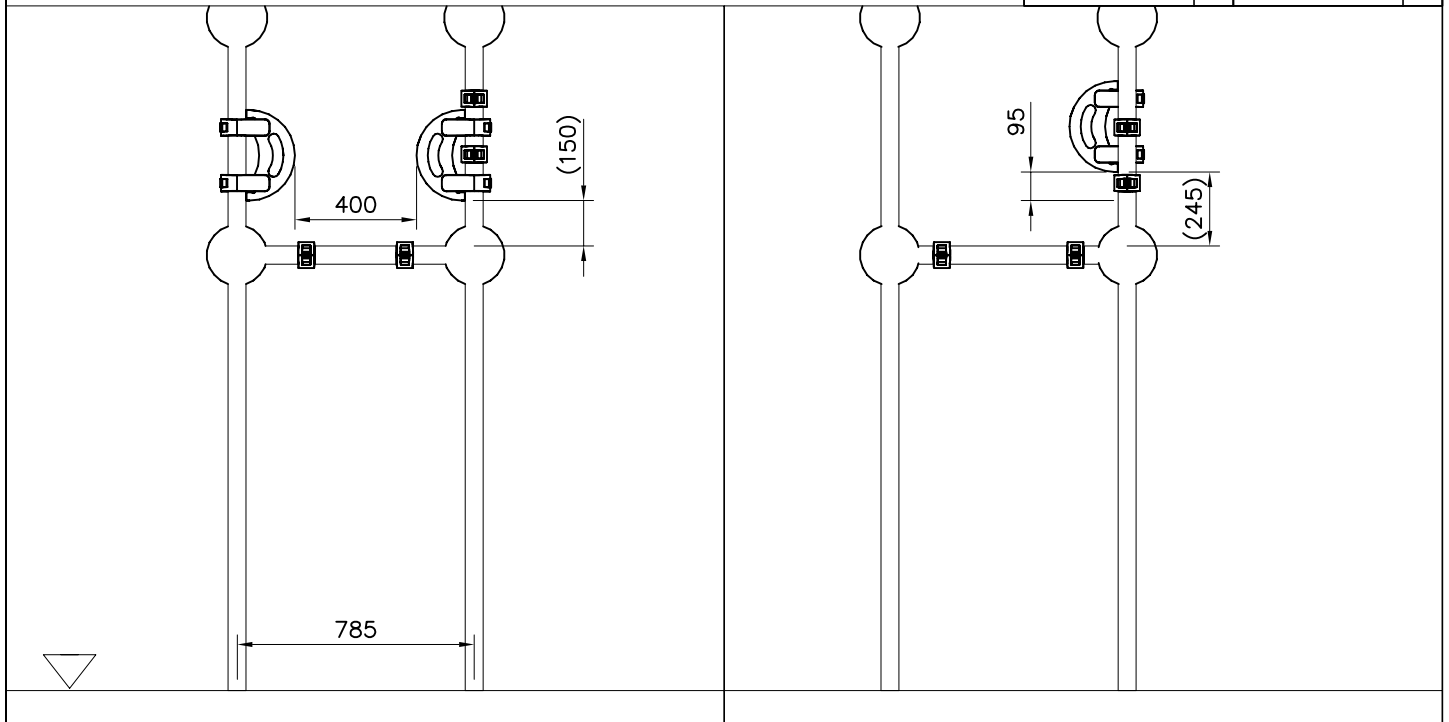
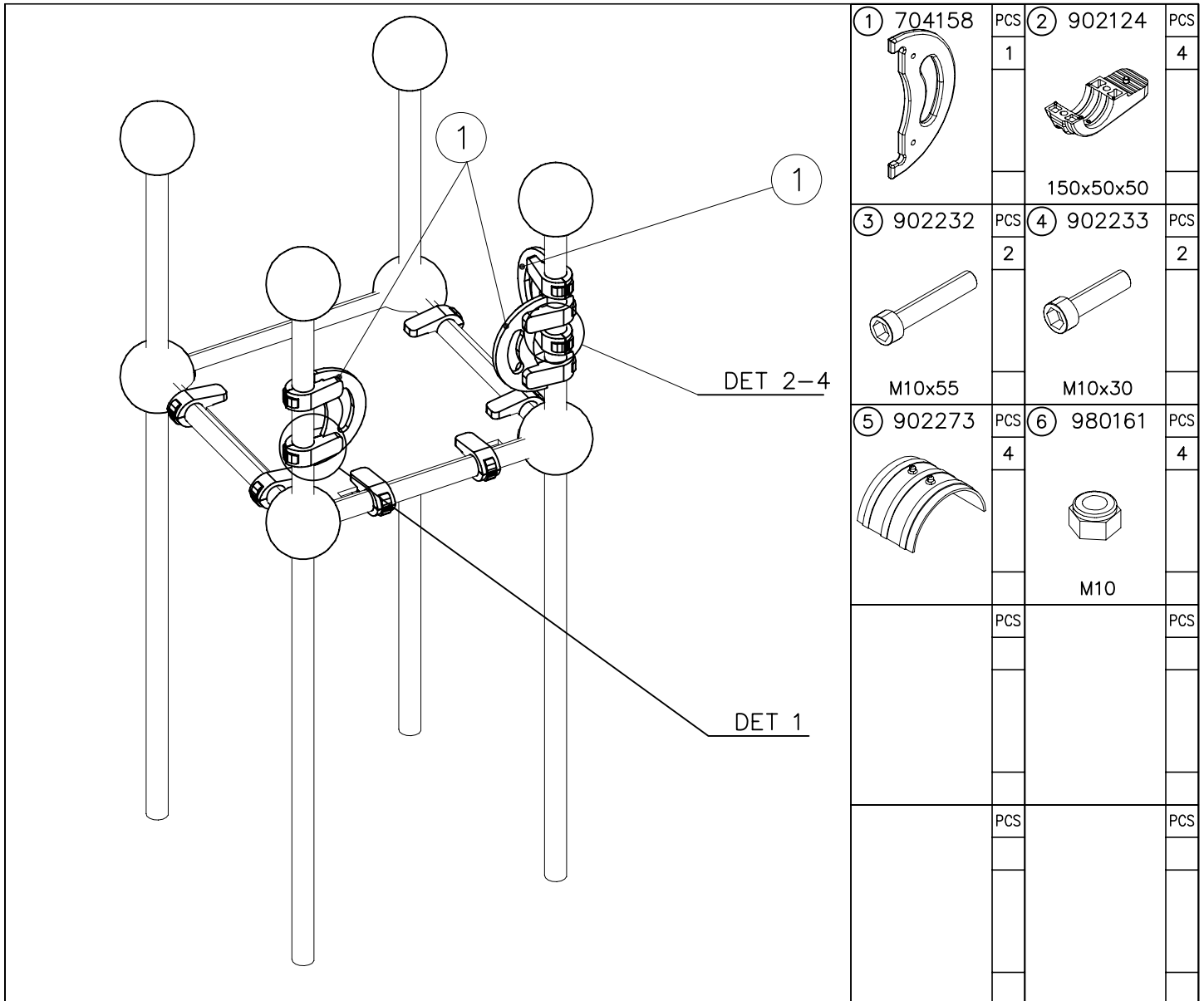
### Die Auslieferung des Produktaufklebers erfolgt auf eine dieser Arten:

#### 1) Produkt-Schild aus Metall incl. Schrauben

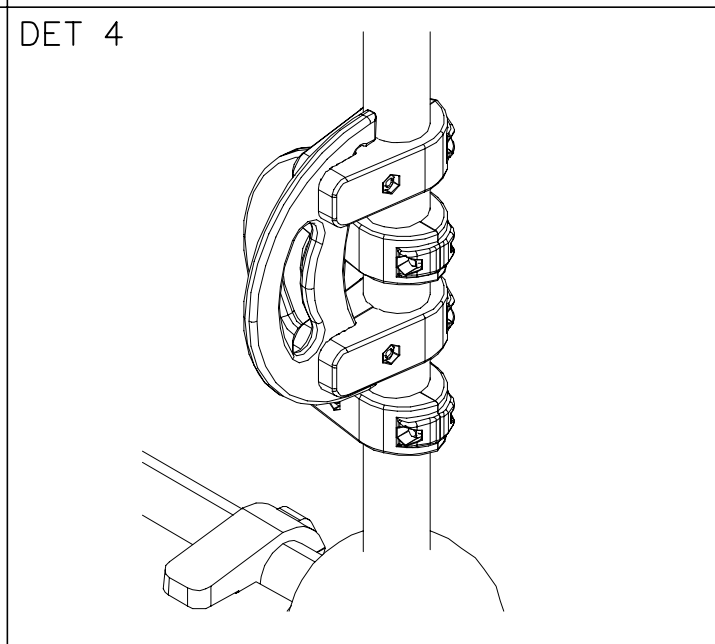
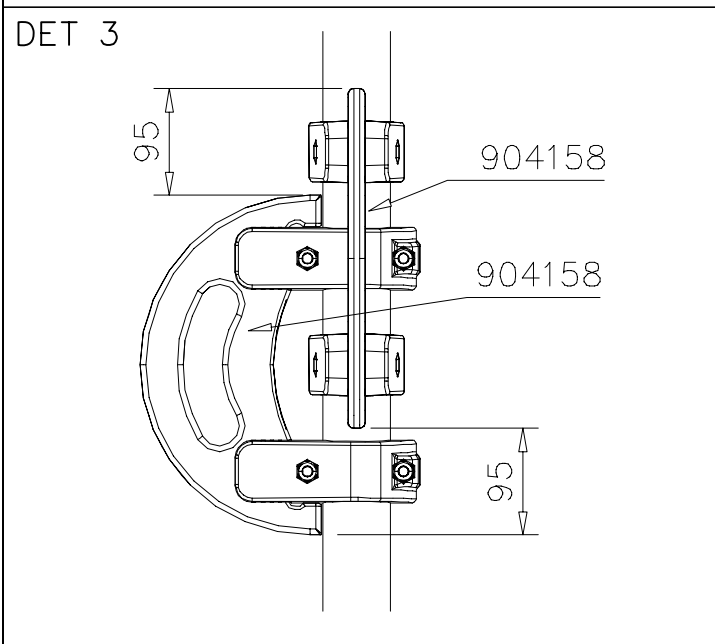
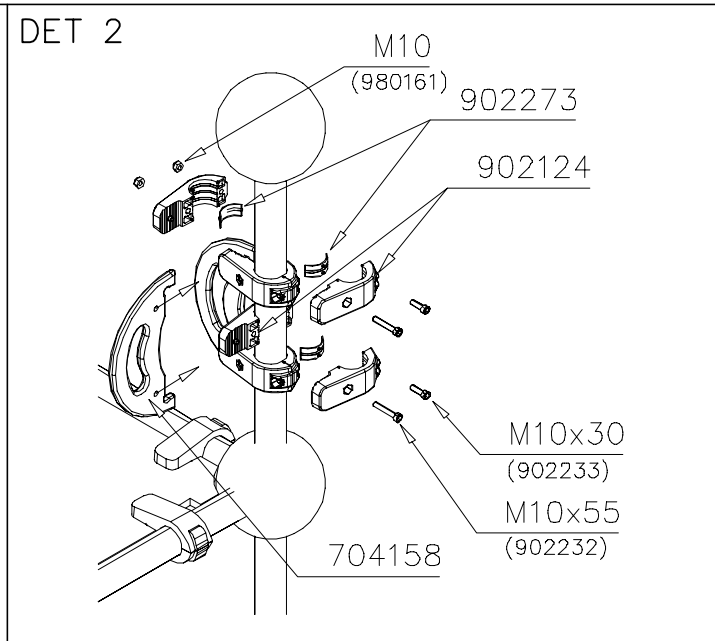
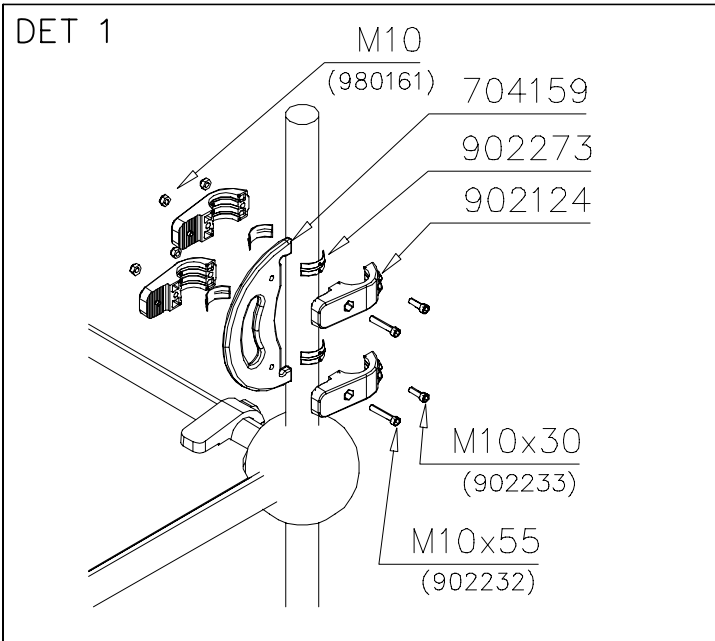
- Die Befestigung des Schildes erfolgt mittels der Schrauben.

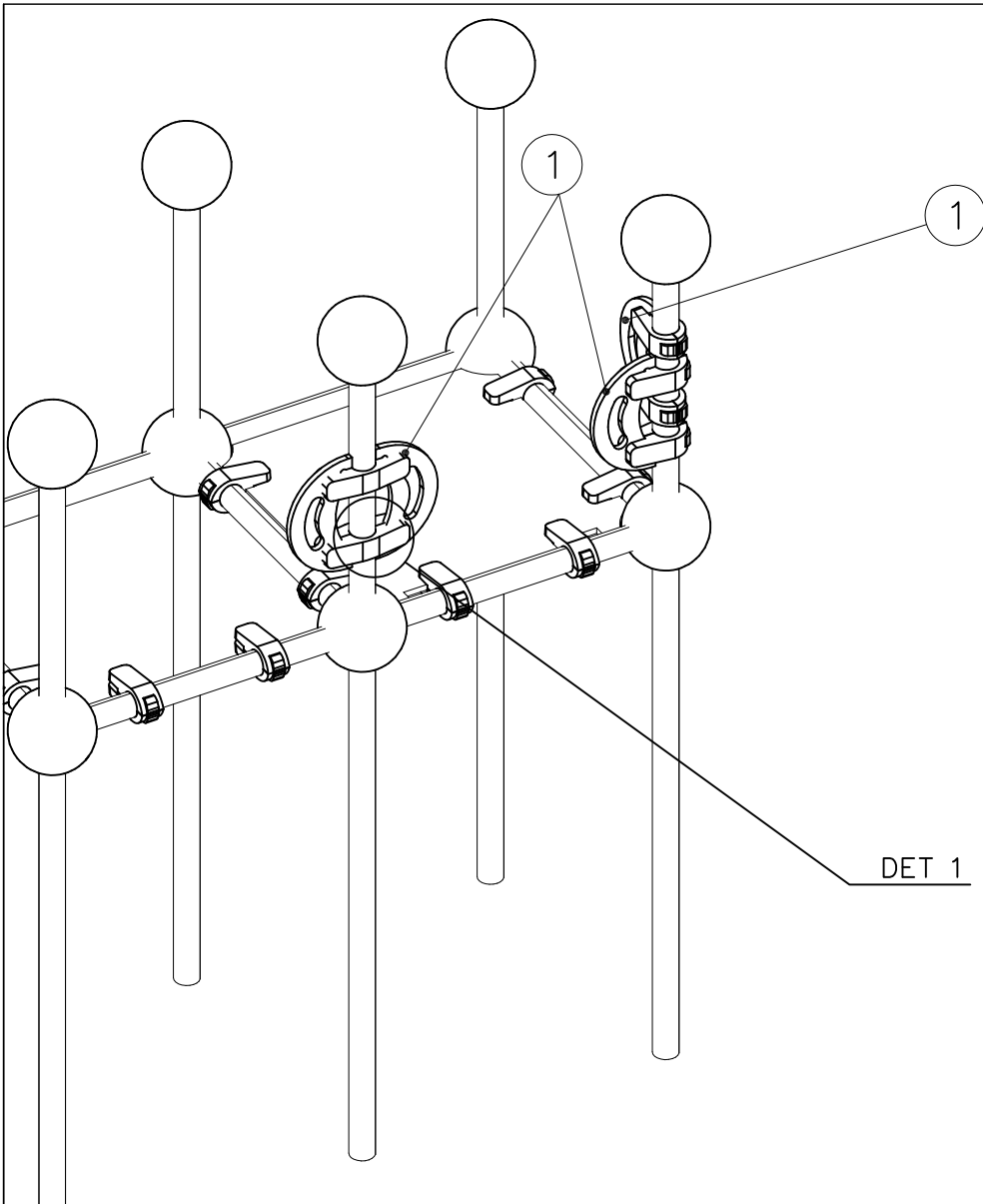
#### 2) Aufkleber


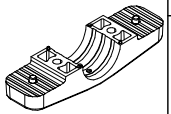
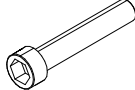
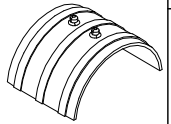

- Entfernen Sie zunächst Schmutz und Feuchtigkeit vom lackierten Metall bzw. von der Holzoberfläche und bringen Sie den Aufkleber wie im Bild oben rechts beschrieben auf den gesäuberten Untergrund auf.
- Beachten Sie: Bringen Sie den Aufkleber nicht auf raues laminiertes oder lackiertes Holz an.

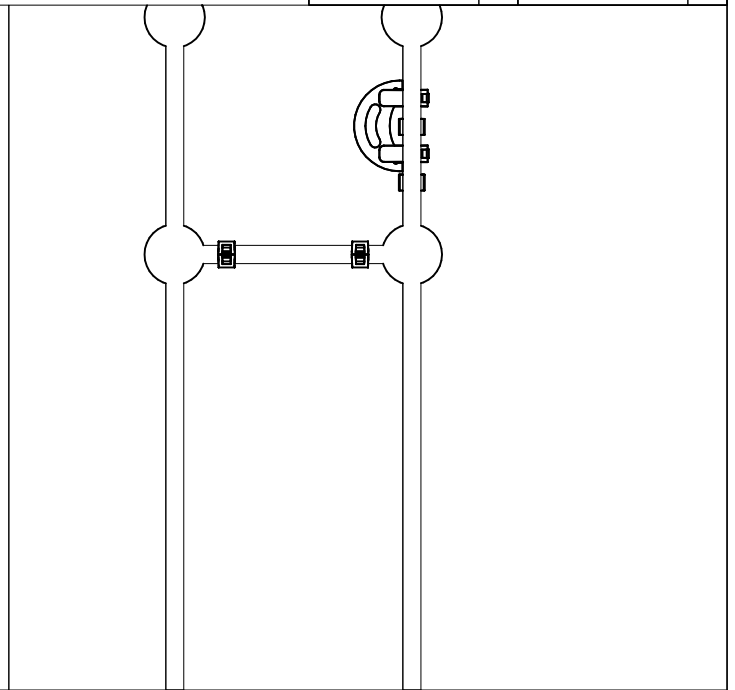
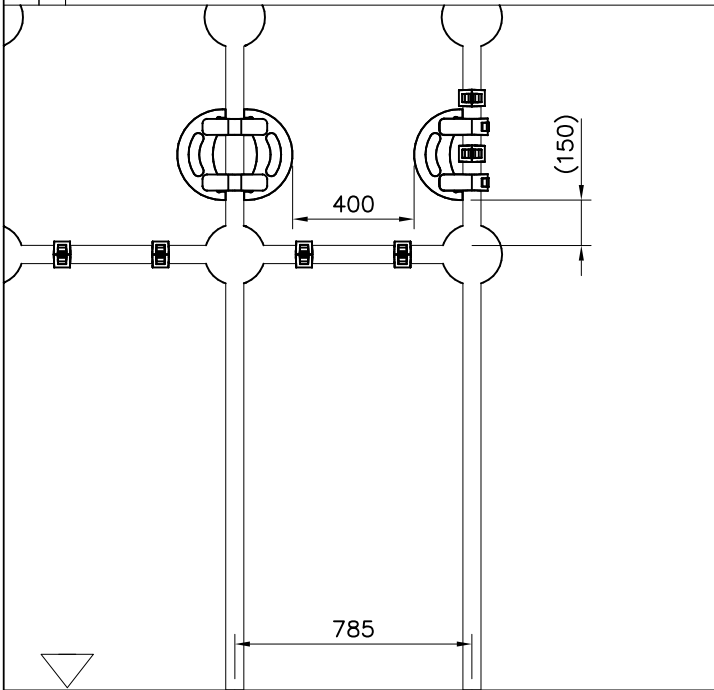




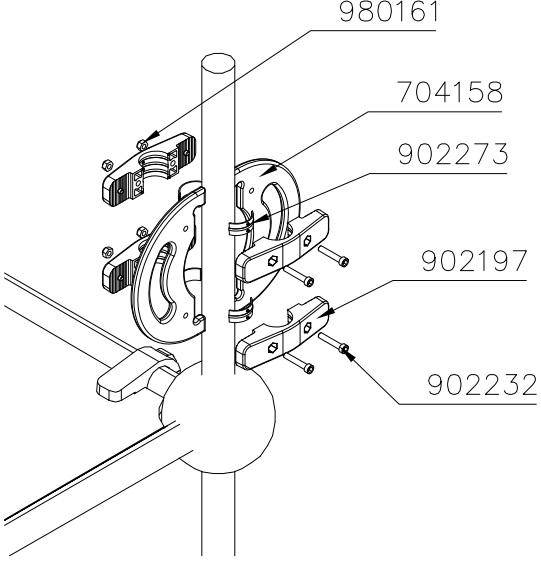


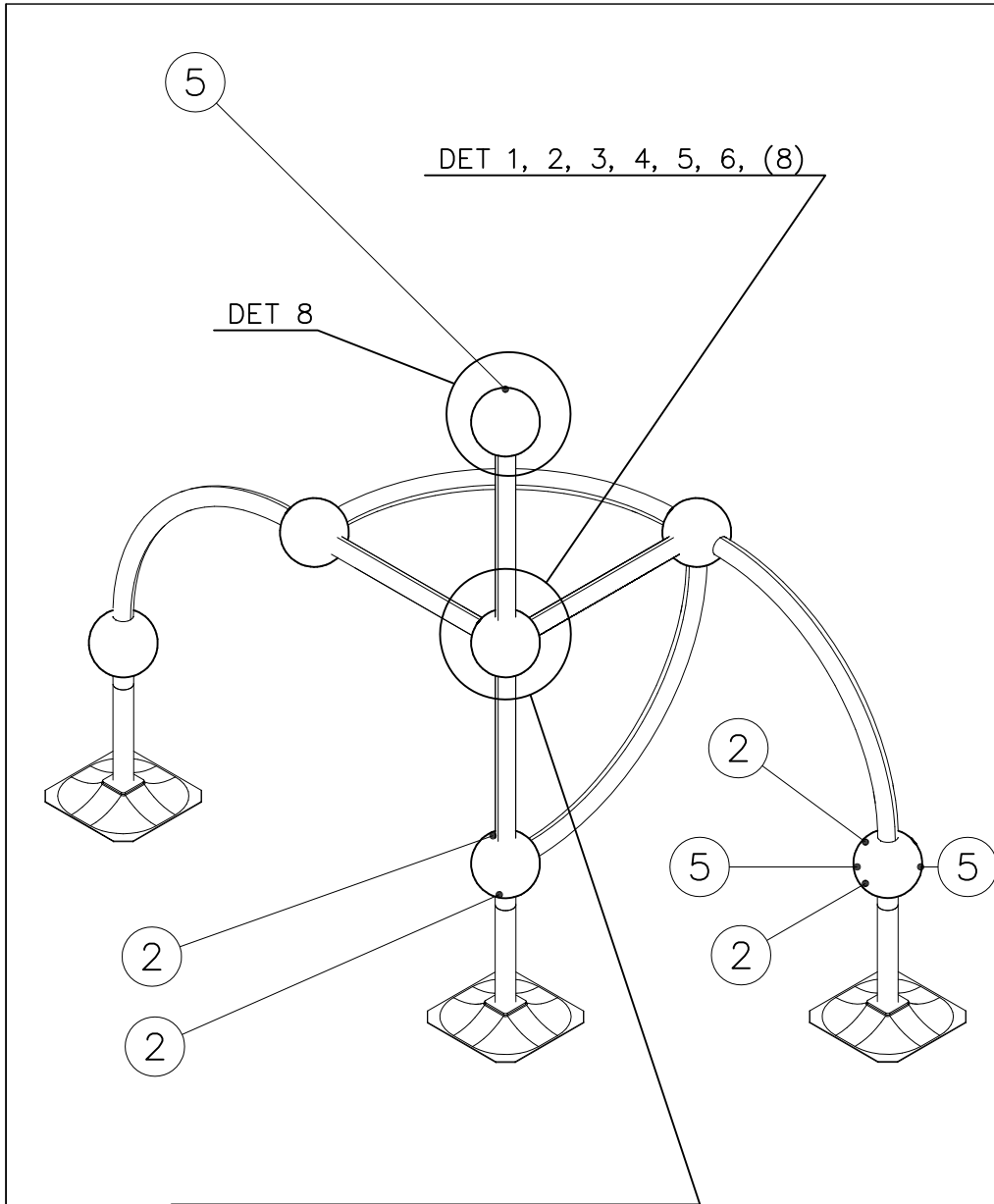


|   |     |   |     |
|---|-----|---|-----|
| ① 704158  | PCS | ② 902197  | PCS |
|  | 2   |  | 4   |
| ③ 902232  | PCS | ④ 902273  | PCS |
|  | 4   |  | 4   |
| M10x55  |     |   |     |
| ⑤ 980161  | PCS |   | PCS |
|  | 4   |   |     |
| M10   |     |   |     |
|   | PCS |   | PCS |
|   |     |   |     |
|   | PCS |   | PCS |
|   |     |   |     |

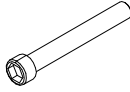

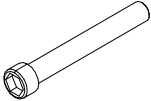
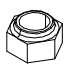


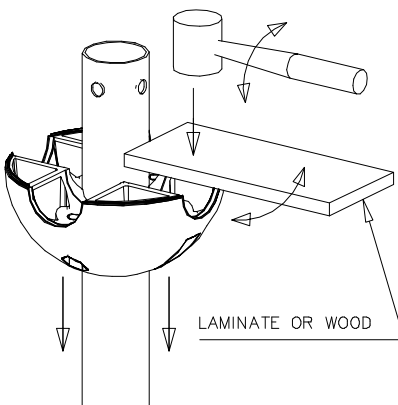
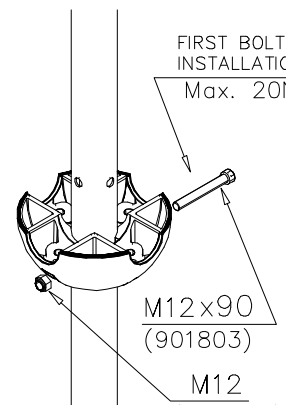
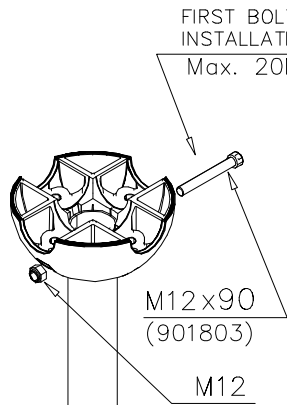
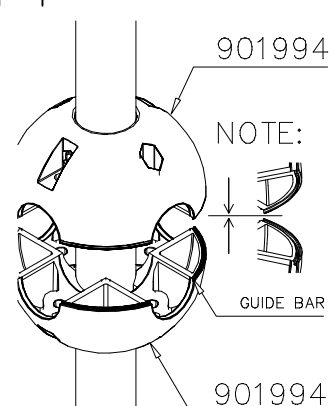
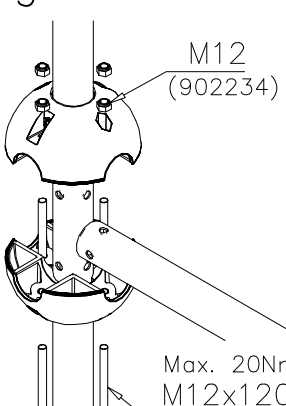
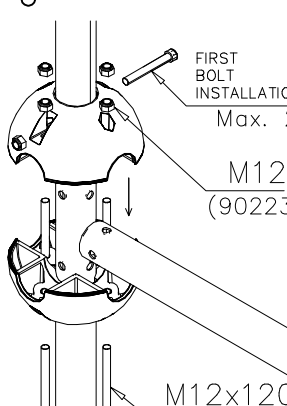
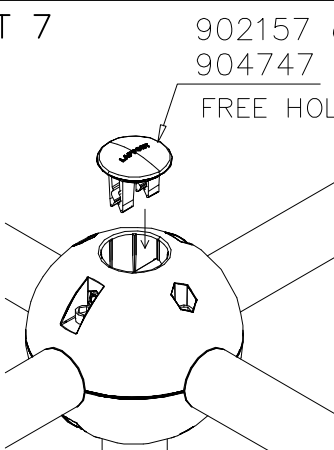
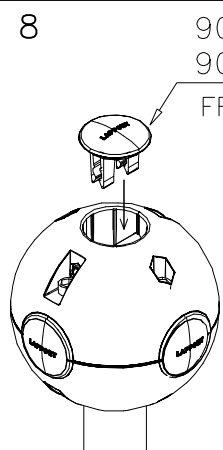
DET 1

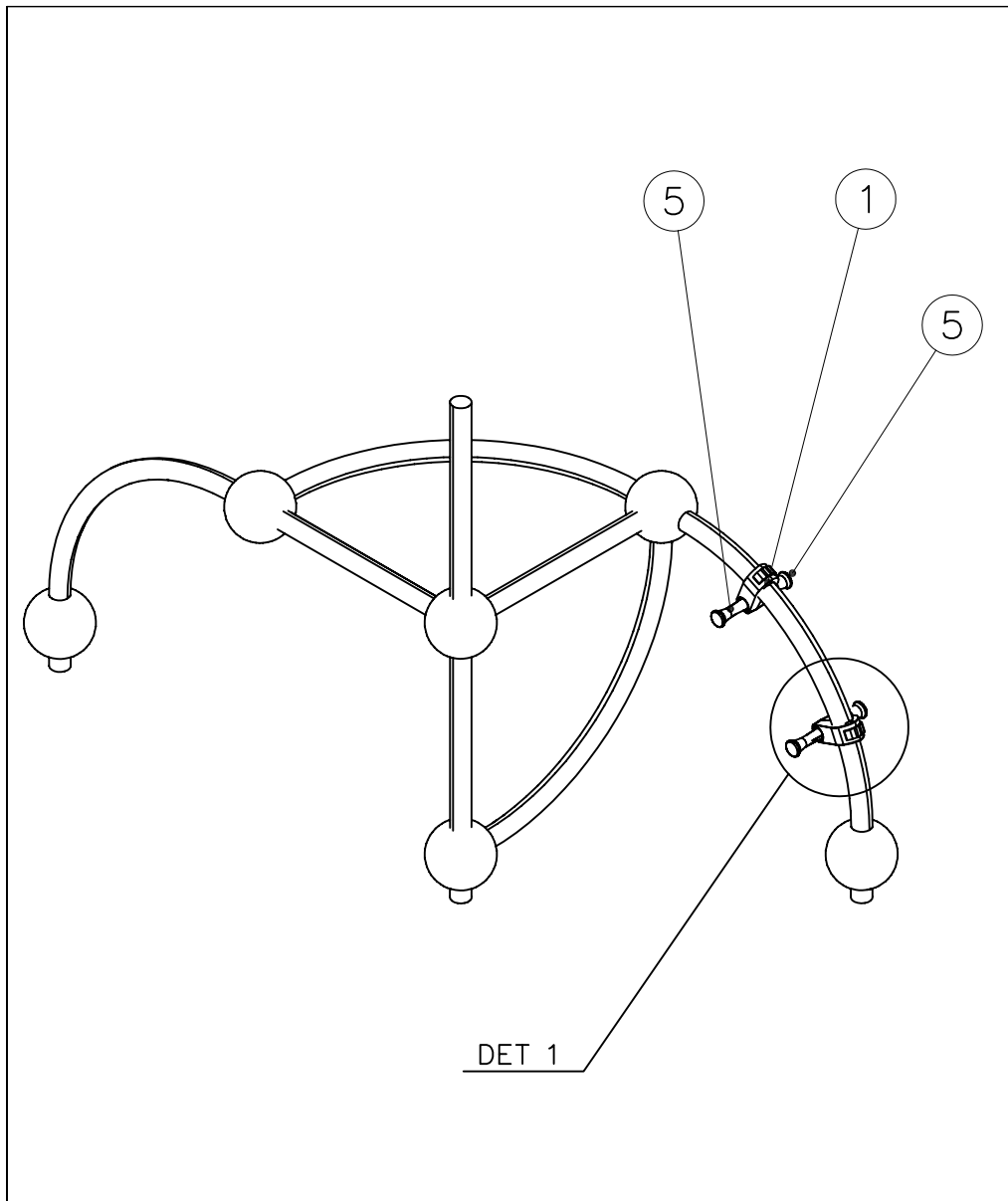


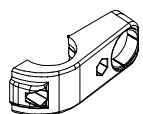
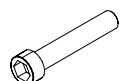
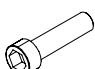

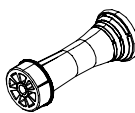
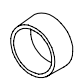

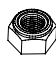



DO NOT TIGHTEN THE JOINTS UNTIL THE STRUCTURE IS COMPLETE.

|   |     |   |     |
|---|-----|---|-----|
| ① 901803  | PCS | ② 901994  | PCS |
|  | 2   |  | 2   |
| M12x90  |     | Ø190  |     |
| ③ 902096  | PCS | ④ 902234  | PCS |
|  | 4   |  | 6   |
| M12x120   |     | M12   |     |
|   | PCS |   | PCS |
|   |     |   |     |
|   | PCS |   | PCS |
|   |     |   |     |
|   | PCS |   | PCS |
|   |     |   |     |
|   | PCS |   | PCS |
|   |     |   |     |
|   | PCS |   | PCS |
|   |     |   |     |
|   | PCS |   | PCS |
|   |     |   |     |

|   |   |   |
|---|---|---|
| <p>DET 1</p>  <p>LAMINATE OR WOOD</p>                                    | <p>DET 2</p>  <p>FIRST BOLT<br/>INSTALLATION<br/>Max. 20Nm.</p> <p>M12x90<br/>(901803)</p> <p>M12<br/>(902234)</p> | <p>DET 3</p>  <p>FIRST BOLT<br/>INSTALLATION<br/>Max. 20Nm.</p> <p>M12x90<br/>(901803)</p> <p>M12<br/>(902234)</p>   |
| <p>DET 4</p>  <p>901994</p> <p>NOTE:</p> <p>GUIDE BAR</p> <p>901994</p> | <p>DET 5</p>  <p>M12<br/>(902234)</p> <p>Max. 20Nm.<br/>M12x120<br/>(902096)</p>                                  | <p>DET 6</p>  <p>FIRST BOLT<br/>INSTALLATION<br/>Max. 20Nm.</p> <p>M12<br/>(902234)</p> <p>M12x120<br/>(902096)</p> |
| <p>REMEMBER<br/>FINAL<br/>TIGHTENING</p>  | <p>DET 7</p>  <p>902157 or<br/>904747<br/>FREE HOLE</p>  | <p>DET 8</p>  <p>902157 or<br/>904747<br/>FREE HOLE</p>  |
|   |   |   |



|   |     |   |     |
|---|-----|---|-----|
| ① 902196  | PCS | ② 902232  | PCS |
|    | 2   |    | 1   |
| 150x50x50   |     | M10x55  |     |
| ③ 902233  | PCS | ④ 902273  | PCS |
|    | 1   |    | 2   |
| M10x30  |     |   |     |
| ⑤ 905023  | PCS | ⑥ 905112  | PCS |
|    | 2   |    | 2   |
| Ø50x126   |     | Ø22   |     |
| ⑦ 909195  | PCS | ⑧ 980150  | PCS |
|  | 1   |  | 1   |
| M8x190  |     | M8  |     |
| ⑨ 980161  | PCS |   | PCS |
|  | 2   |   |     |
| M10   |     |   |     |
|   | PCS |   | PCS |

