

# WINAM GROUP

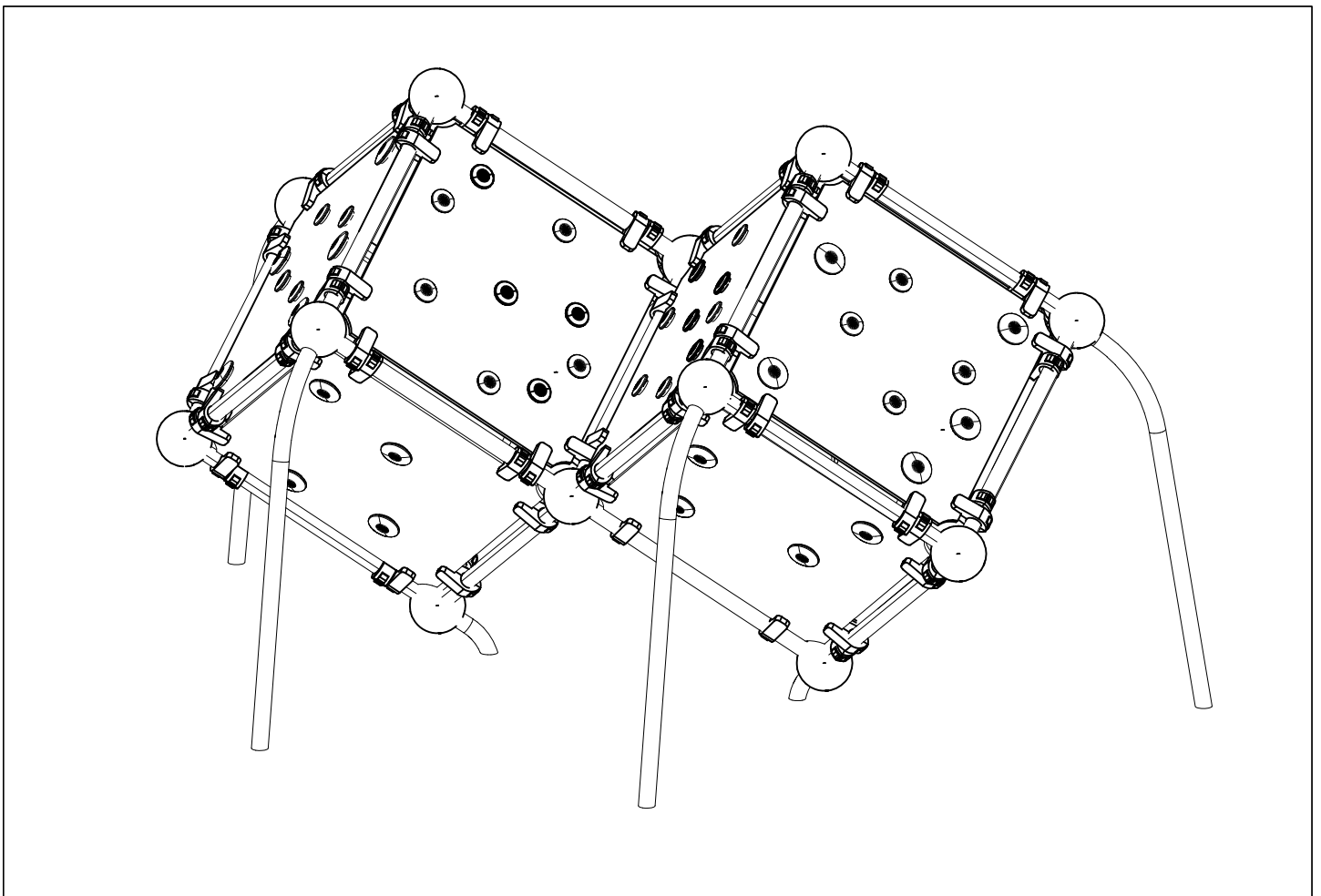
## CLOXX


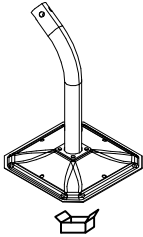

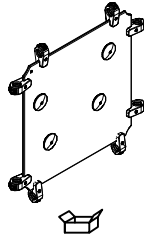
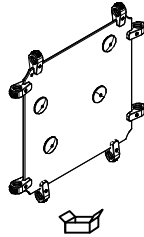
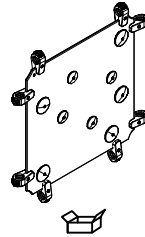
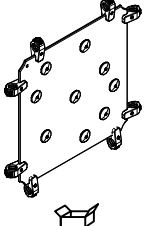
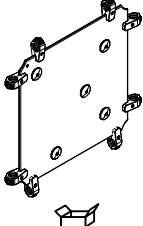
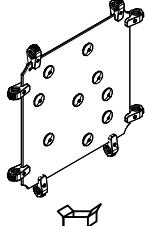
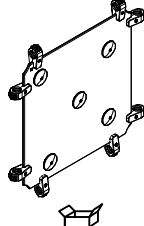
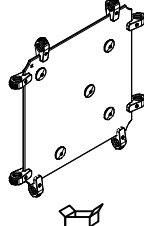
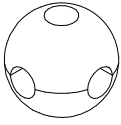
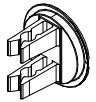
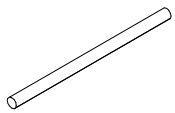
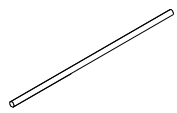


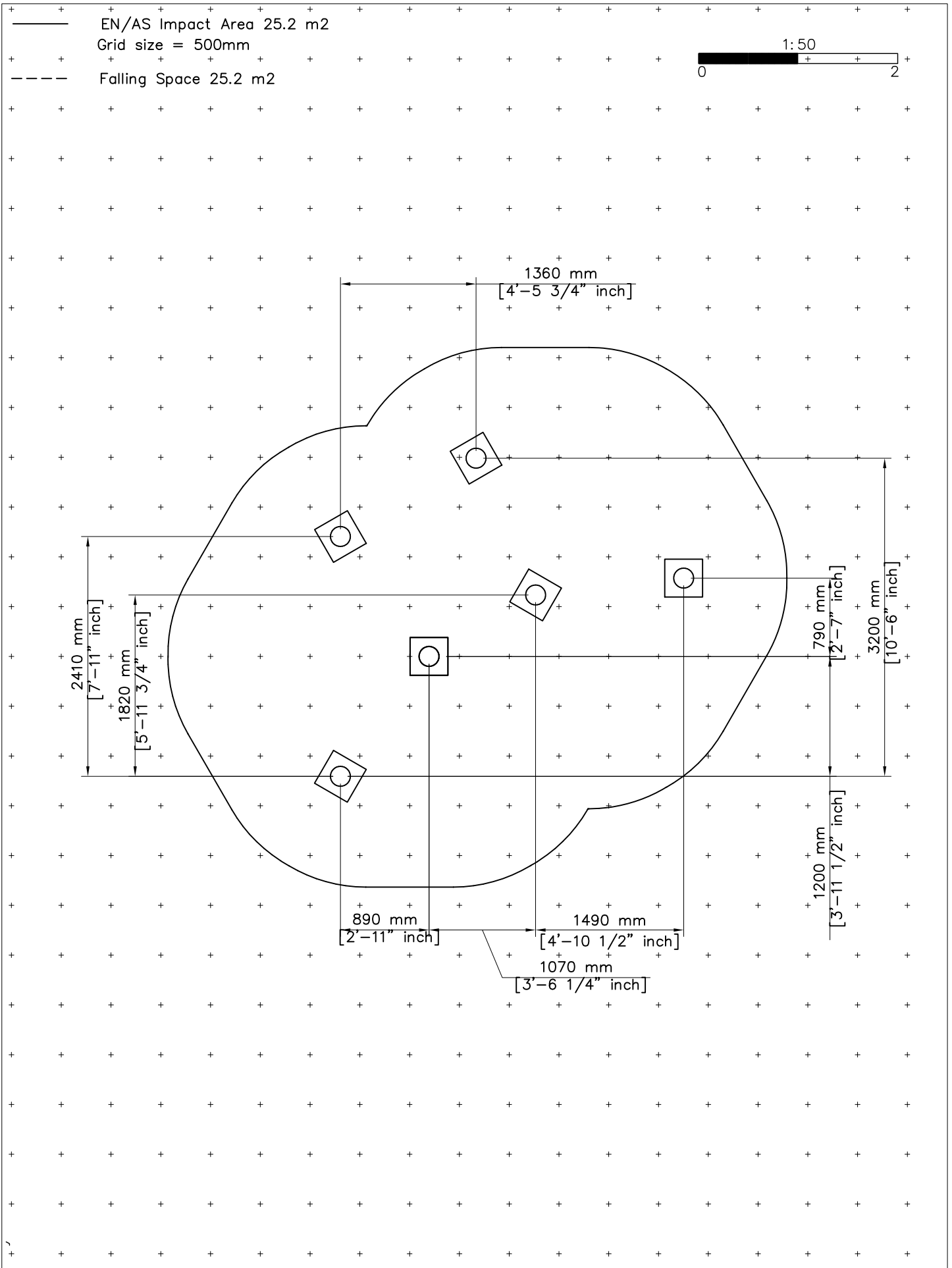
A SENNUSOHJE  
MONTERINGSANSVISNING  
INSTALLATION INSTRUCTION  
AUFBAUANLEITUNG  
NOTICE D'INSTALLATION

DATE: 24.2.2015

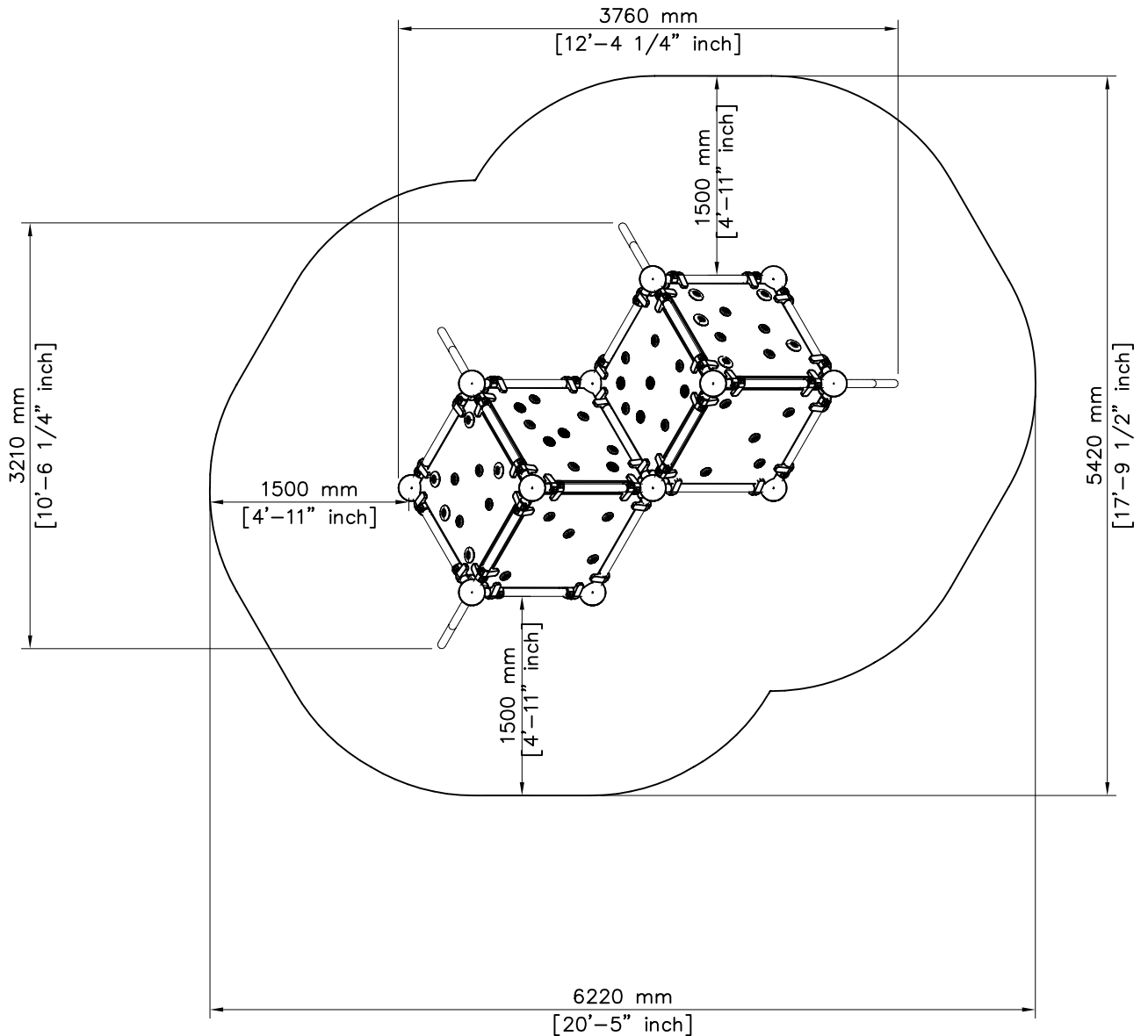
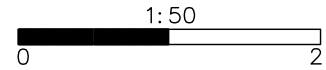
## 220610



|  |           |   |           |   |          |   |          |   |          |   |           |
|--|-----------|---|-----------|---|----------|---|----------|---|----------|---|-----------|
| <p>702341</p>  <p>90x50</p>   | PCS<br>1  | <p>703638</p>                | PCS<br>2  | <p>703640</p>                | PCS<br>4 | <p>703841</p>  | PCS<br>1 | <p>703842</p>  | PCS<br>2 | <p>703843</p>  | PCS<br>2  |
| <p>703844</p>                  | PCS<br>1  | <p>703845</p>                | PCS<br>1  | <p>703846</p>                | PCS<br>1 | <p>703847</p>  | PCS<br>1 | <p>703850</p>  | PCS<br>1 | <p>902134</p>  | PCS<br>14 |
| <p>904747</p>  <p>60x60x2</p> | PCS<br>32 | <p>902424</p>  <p>L 1034</p> | PCS<br>19 | <p>904389</p>  <p>L 2148</p> | PCS<br>2 |   | PCS      |   | PCS      |   | PCS       |
|  | PCS       |   | PCS       |   | PCS      |   | PCS      |   | PCS      |   | PCS       |
|  | PCS       |   | PCS       |   | PCS      |   | PCS      |   | PCS      |   | PCS       |
|  | PCS       |   | PCS       |   | PCS      |   | PCS      |   | PCS      |   | PCS       |
|  | PCS       |   | PCS       |   | PCS      |   | PCS      |   | PCS      |   | PCS       |



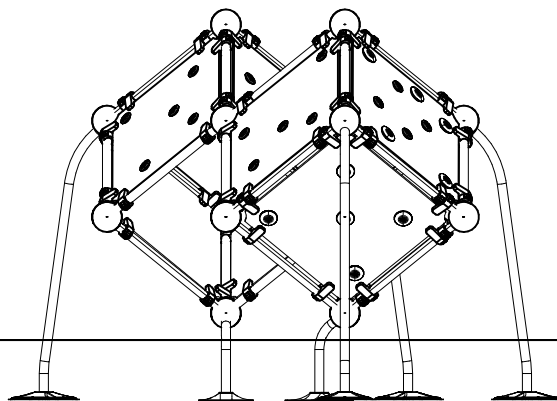
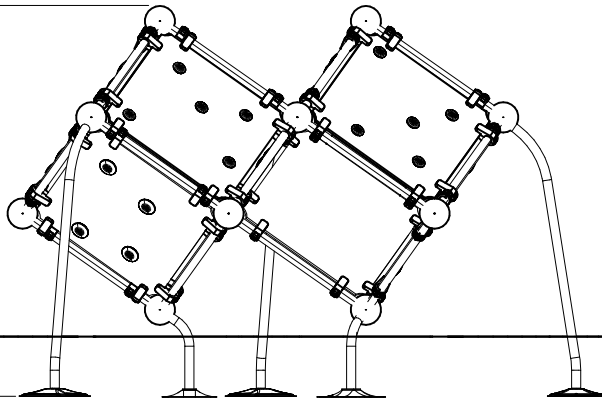
- EN/AS Impact Area 25.2 m<sup>2</sup>
- - - Falling Space 25.2 m<sup>2</sup>
- Max Falling Height 2190 mm

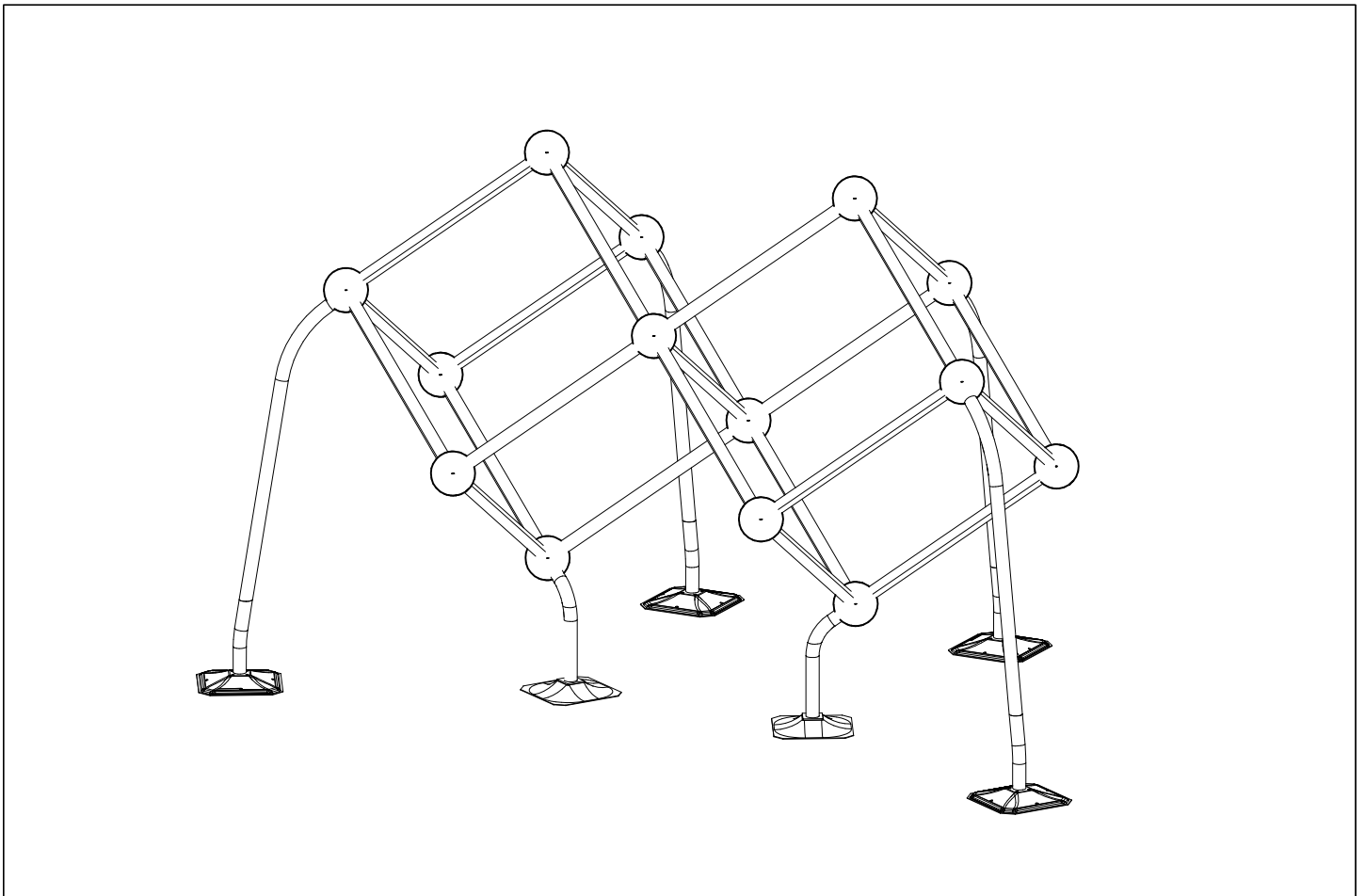
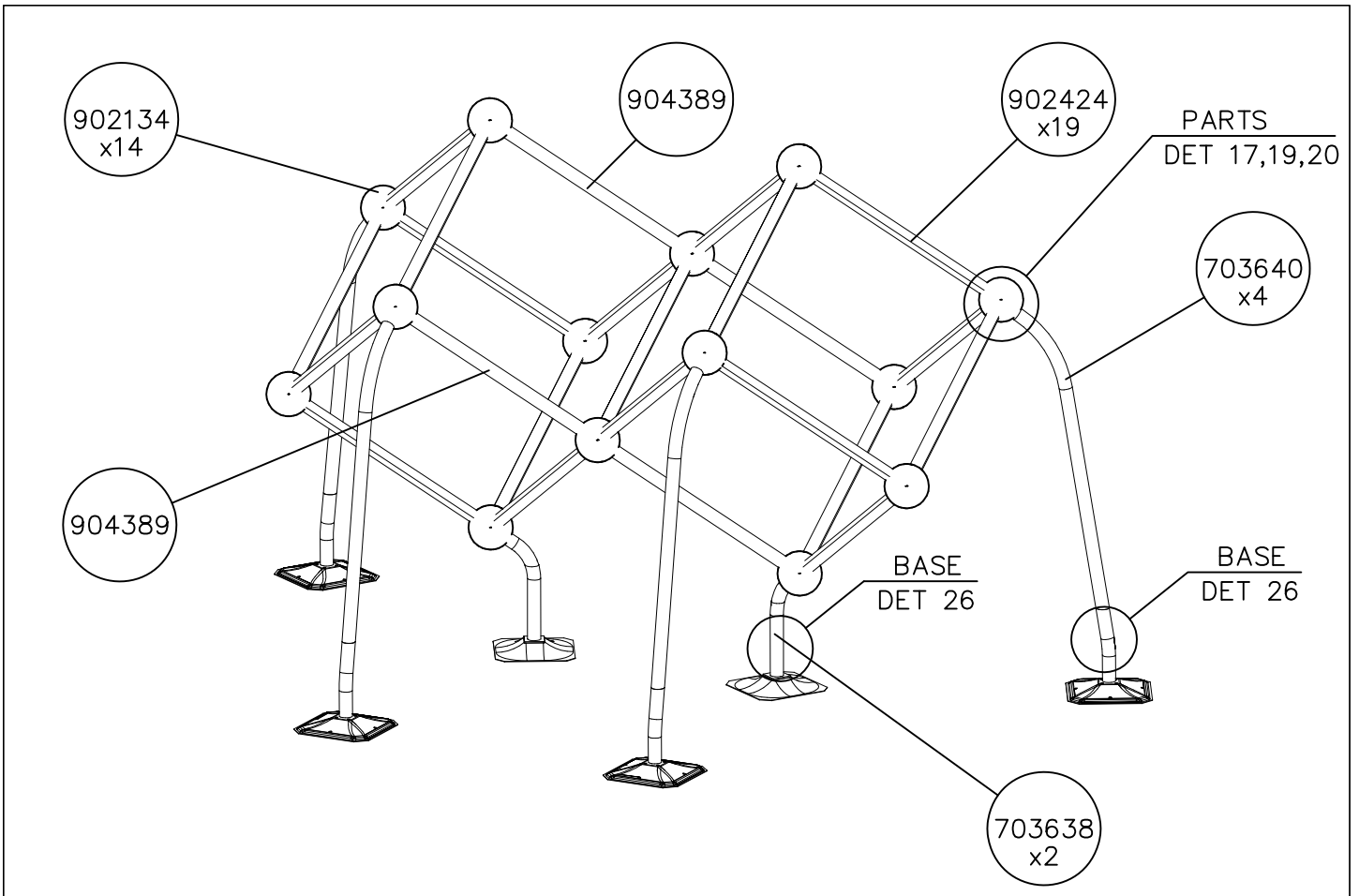


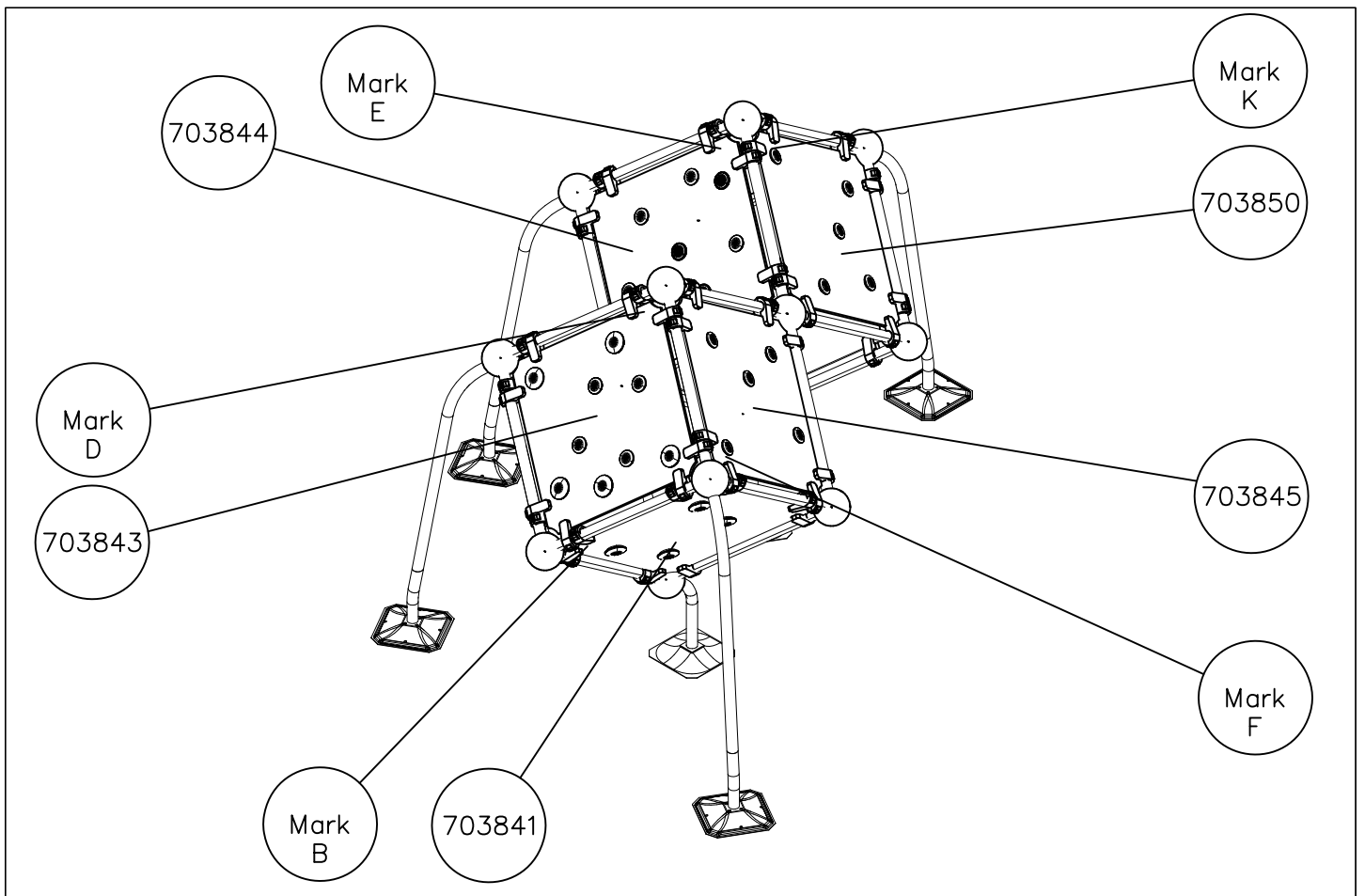
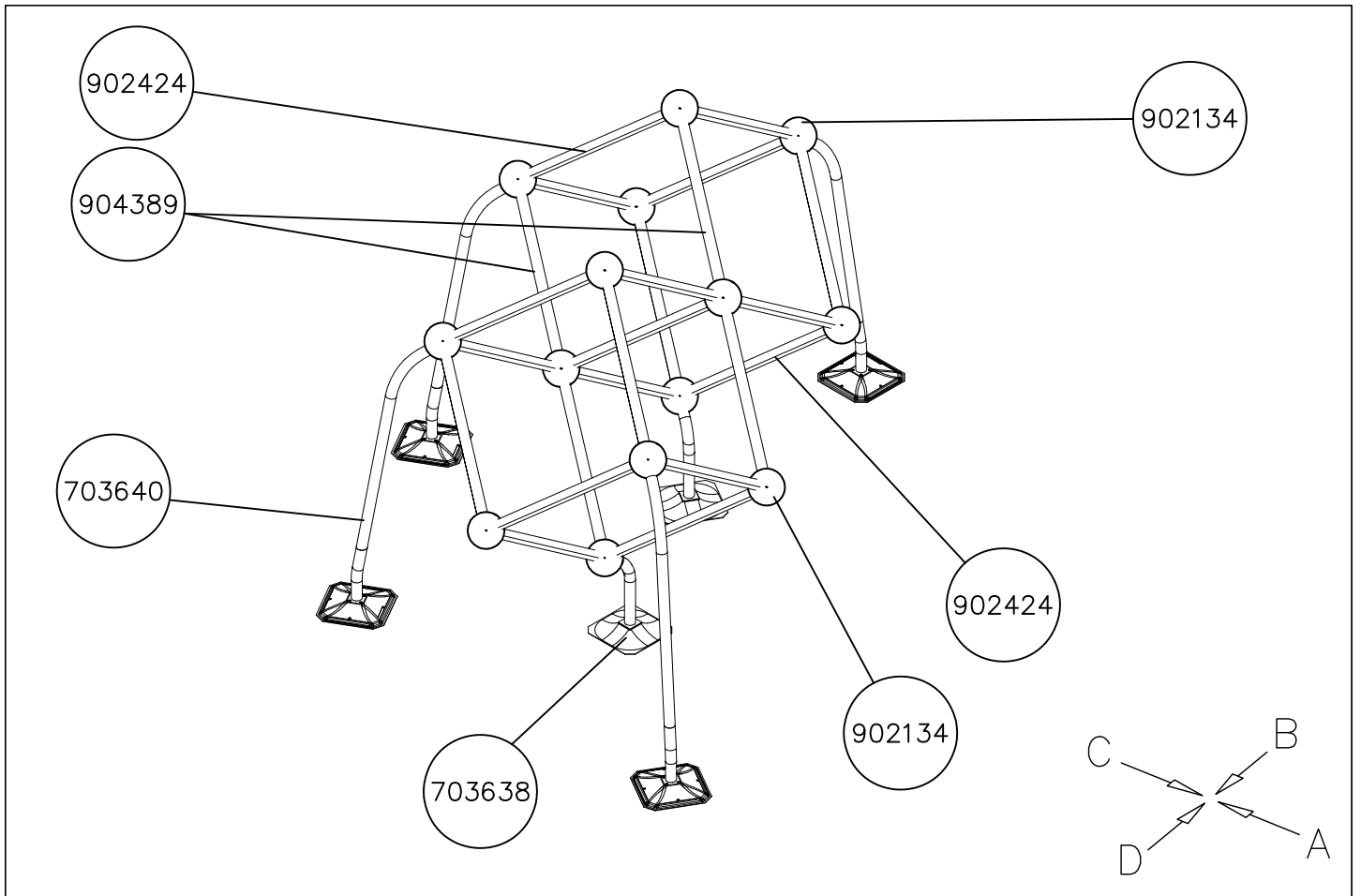
+2190 [7'-2 1/4" inch]

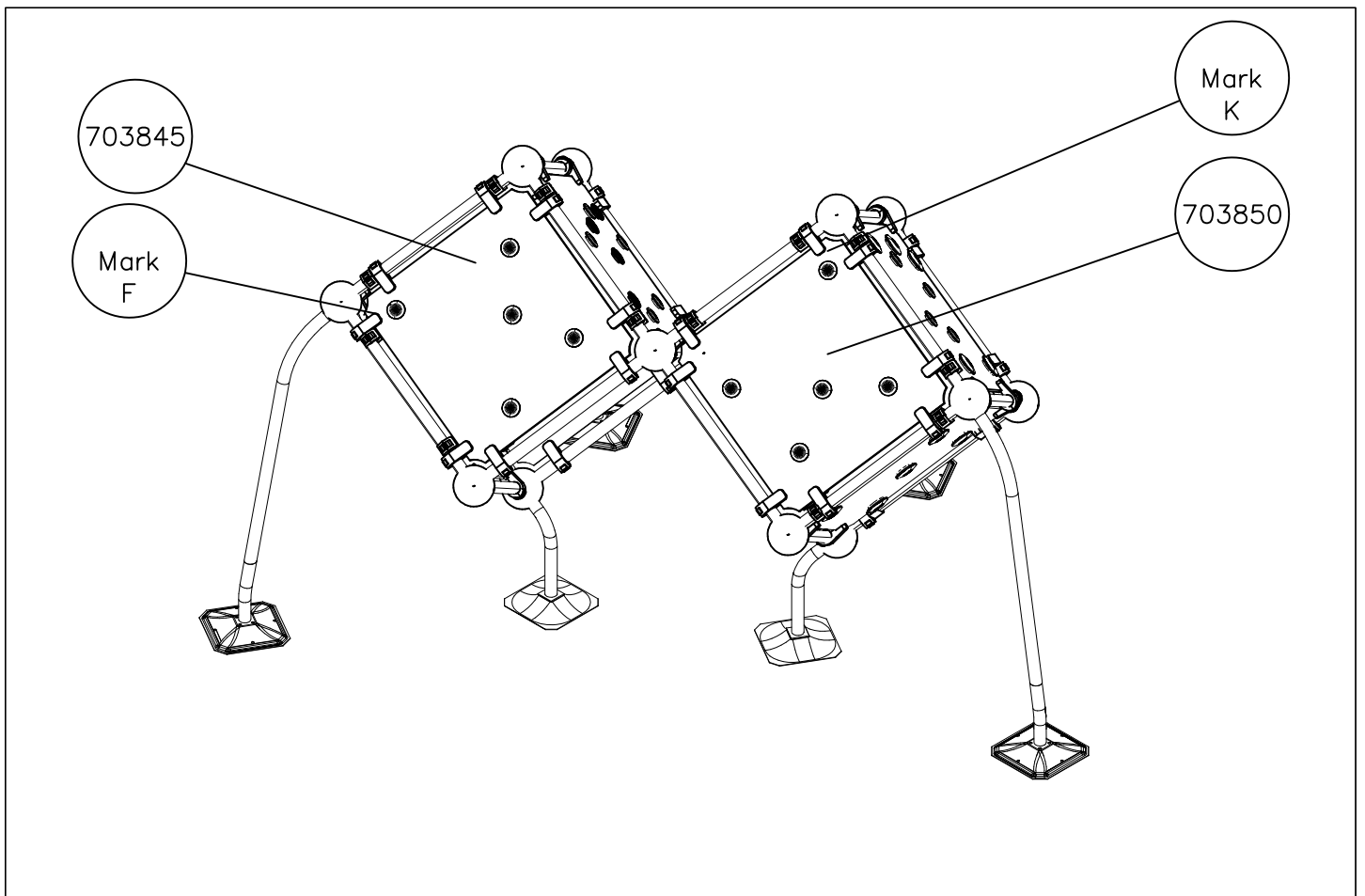
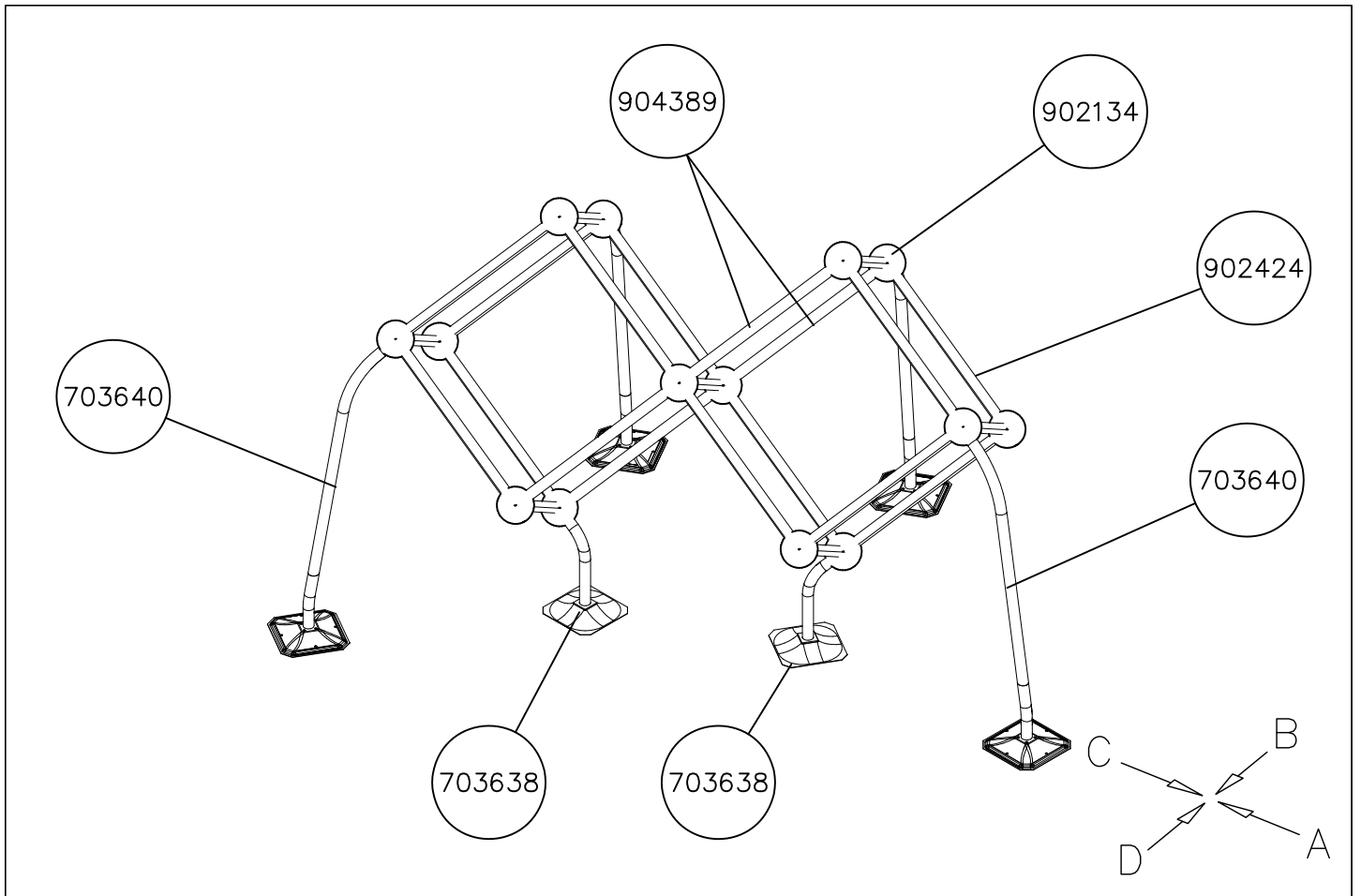
+0 [0" inch]

-390 [1'-3 1/2" inch]

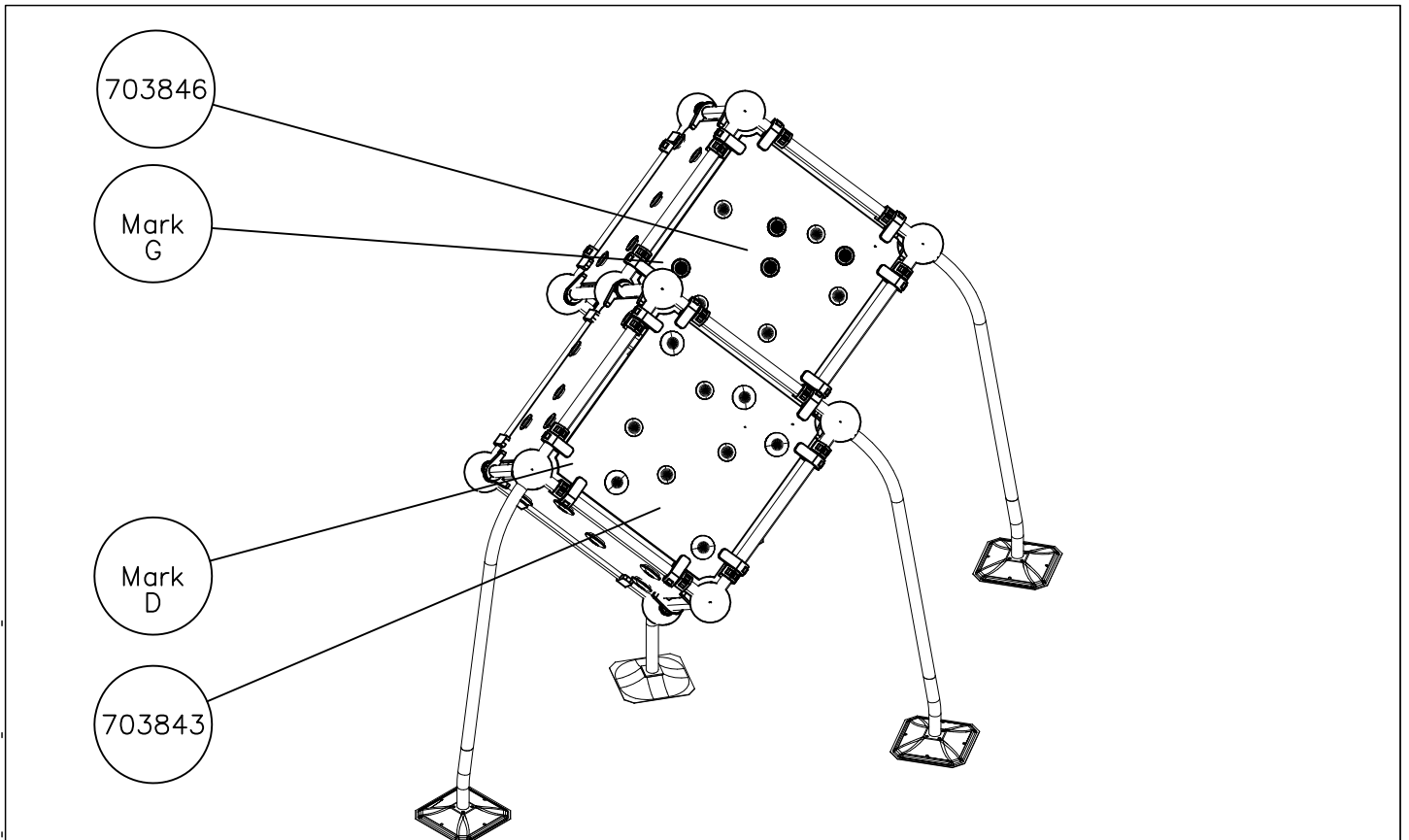
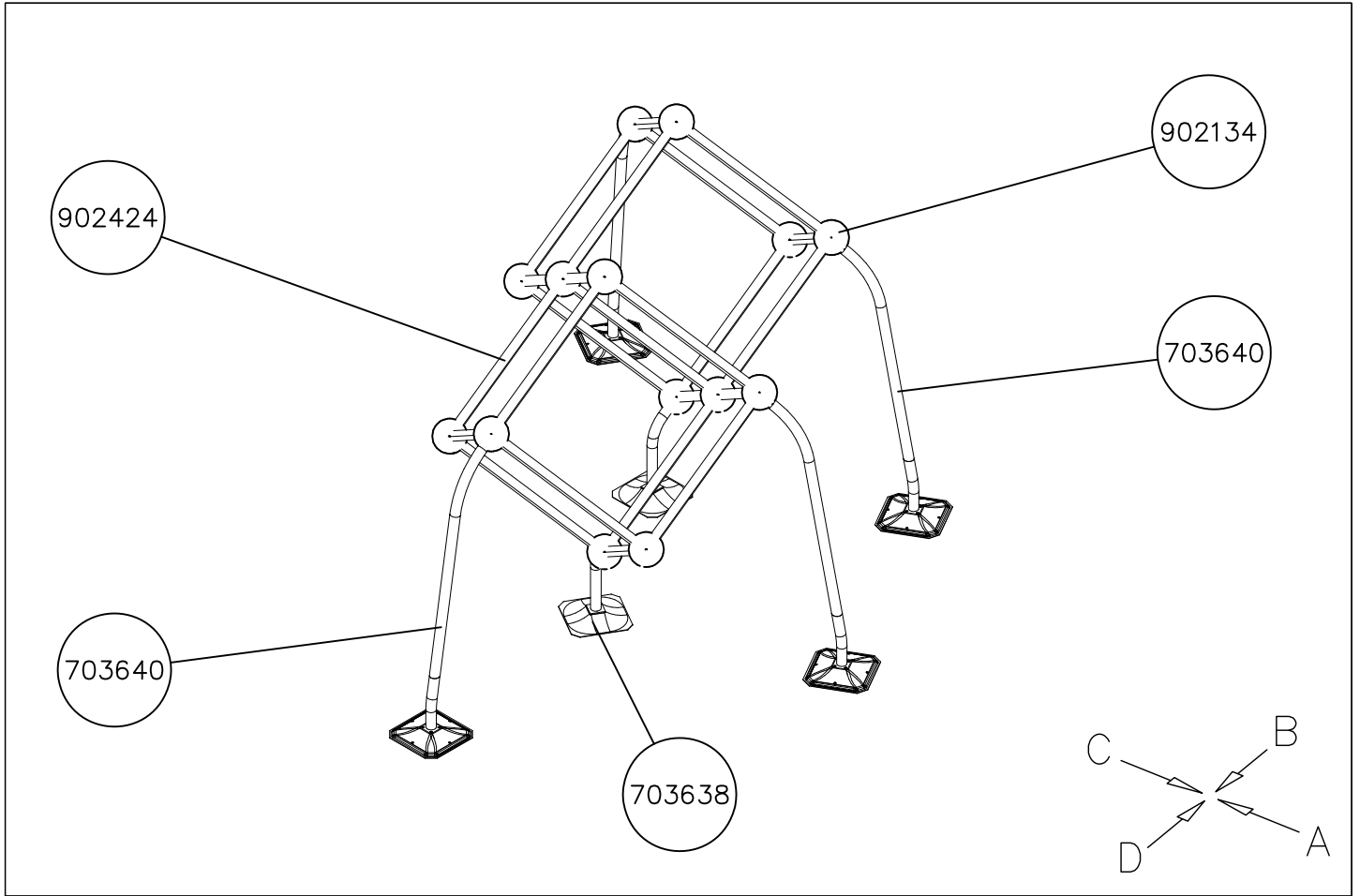


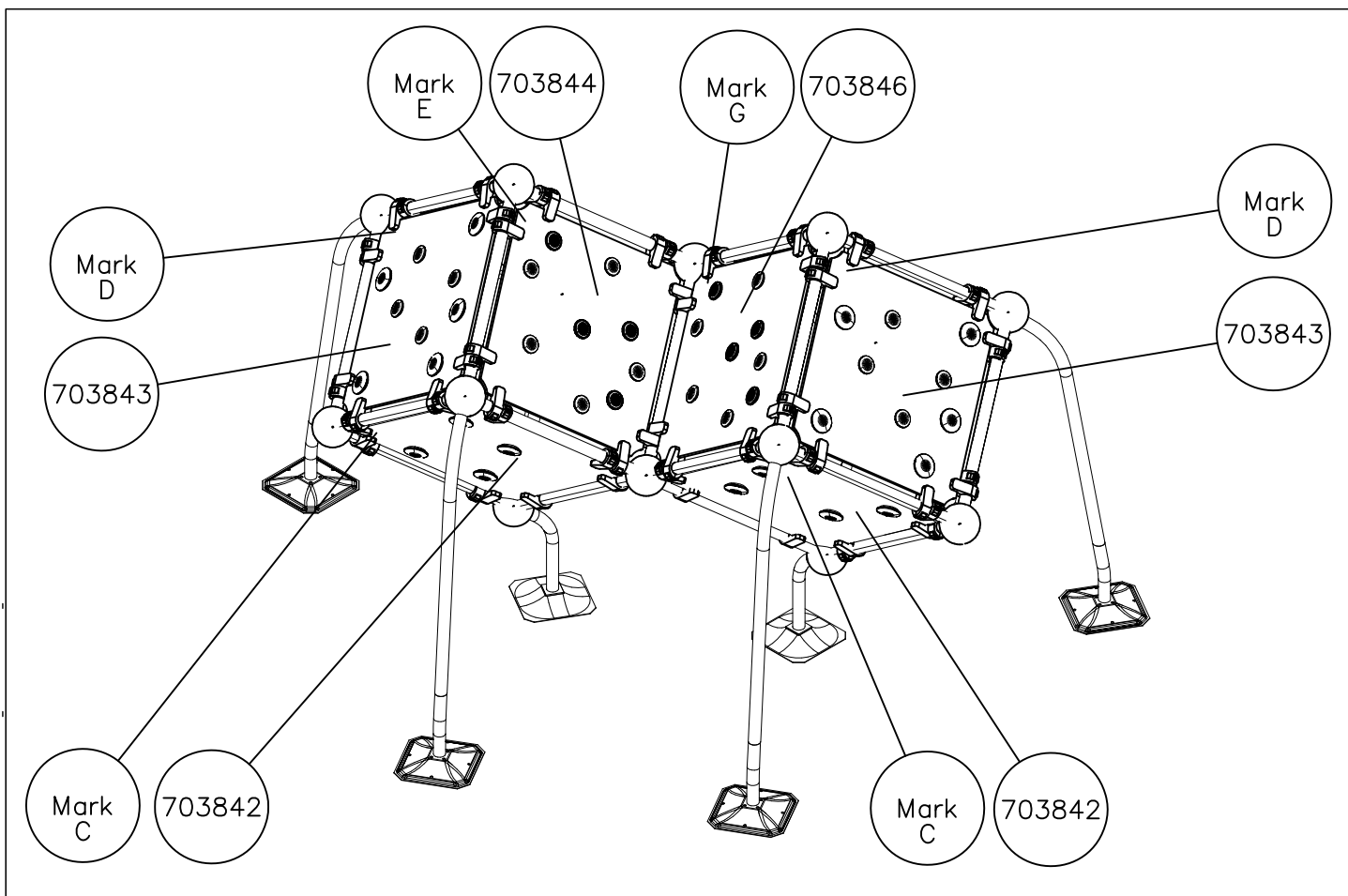
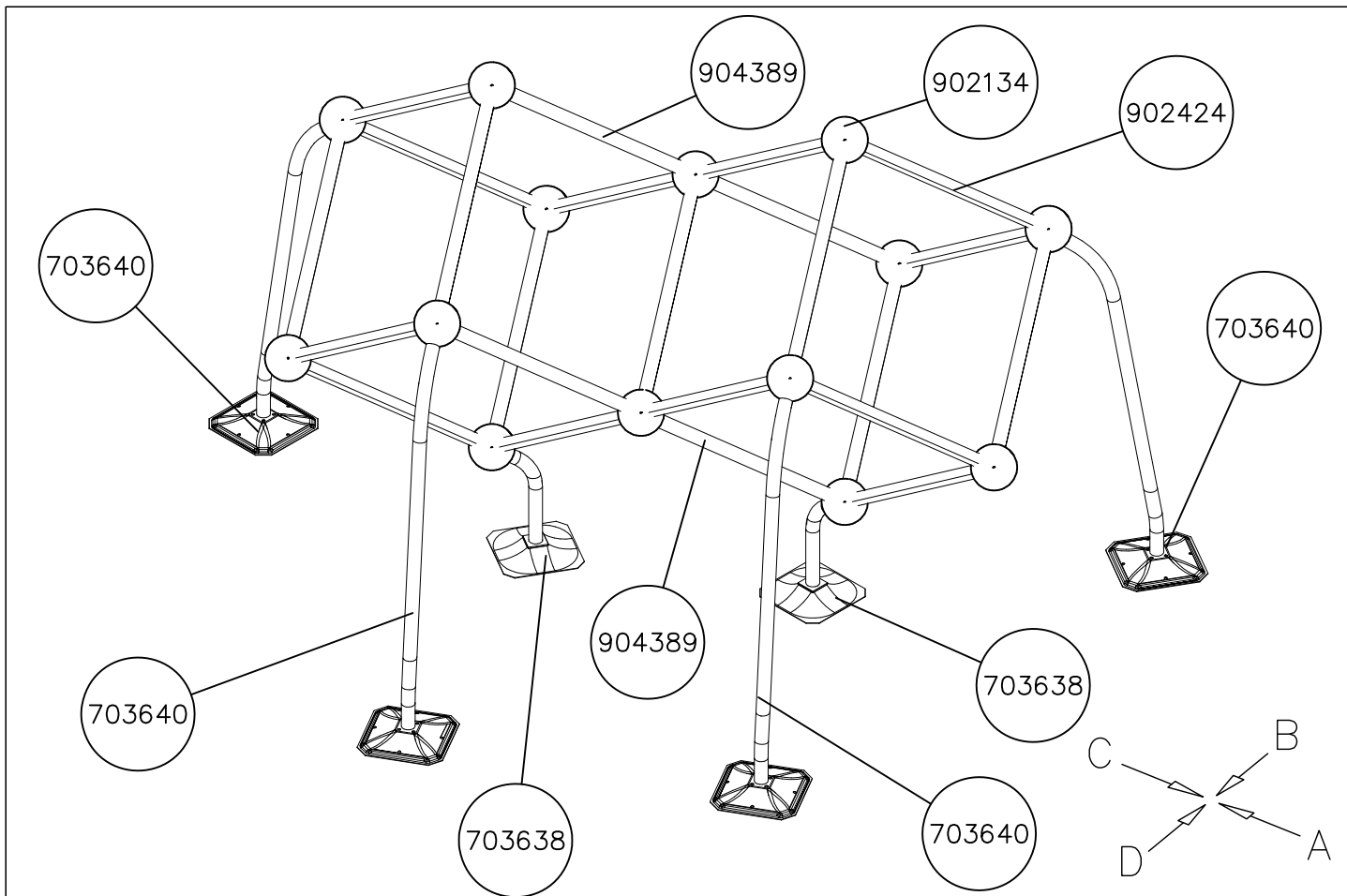


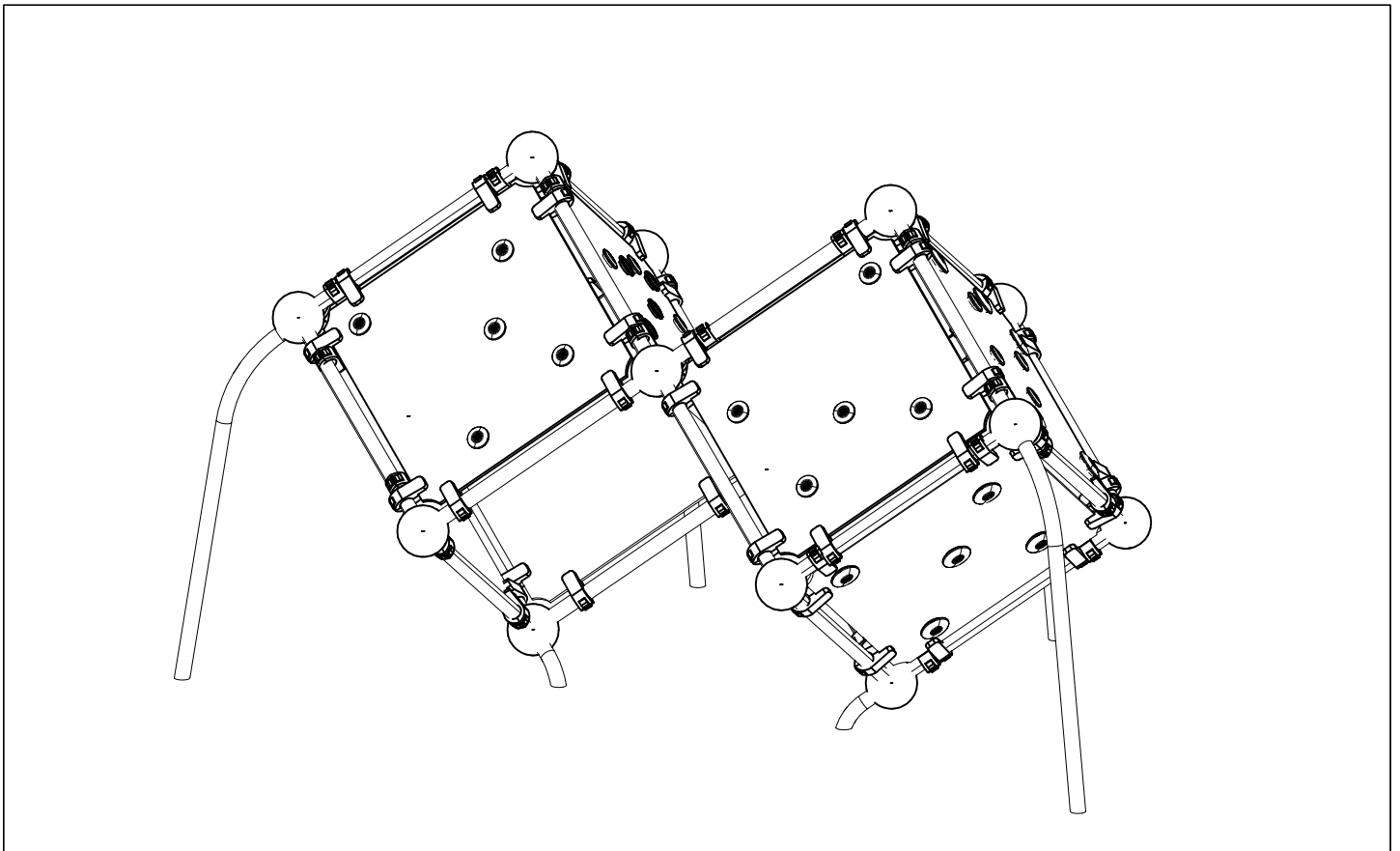
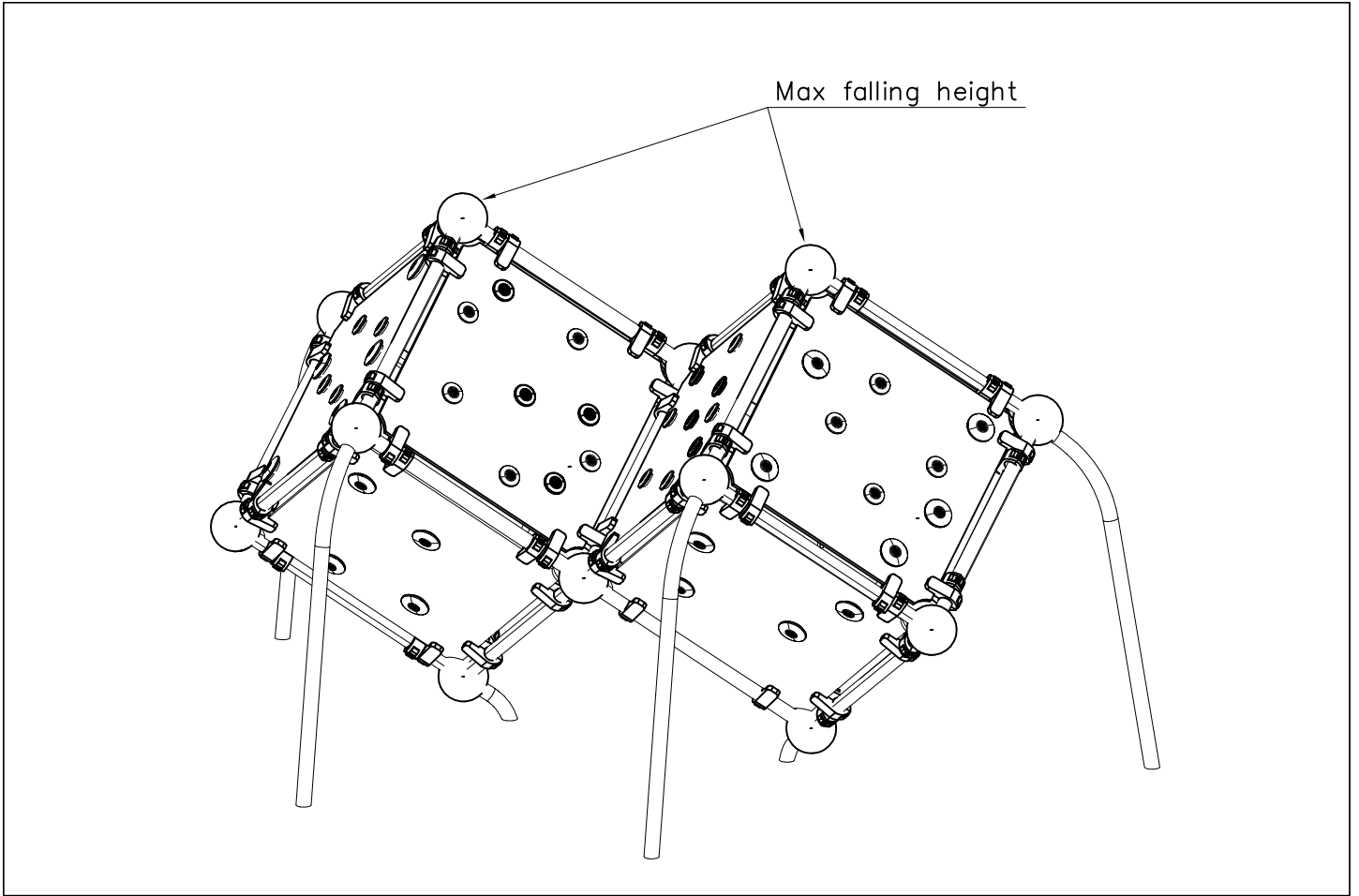


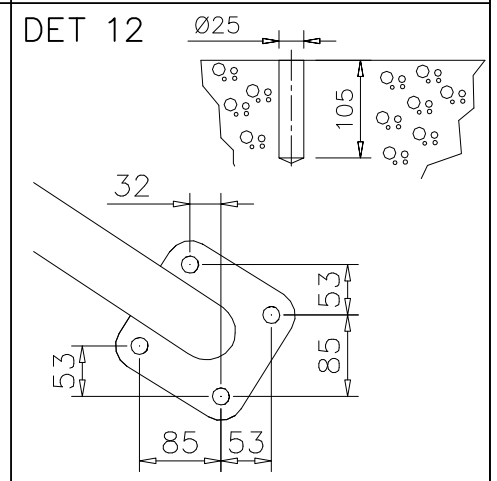
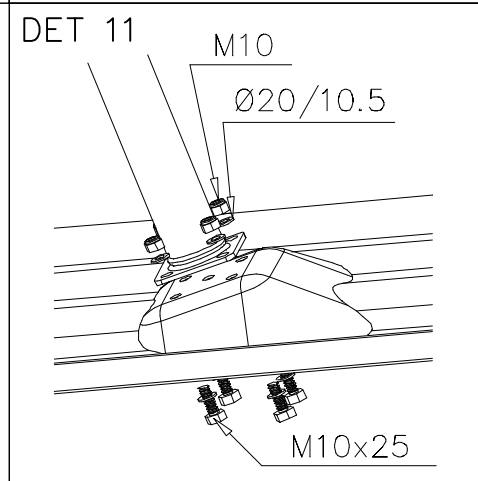
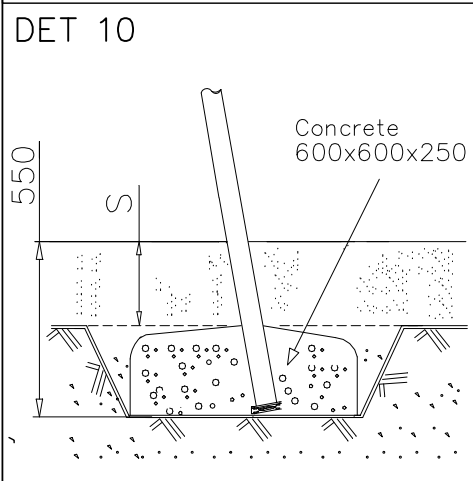
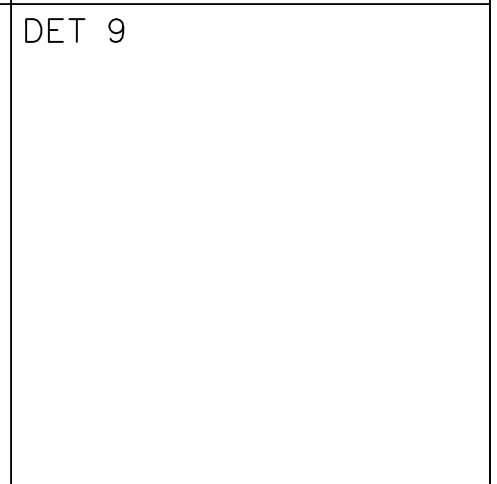
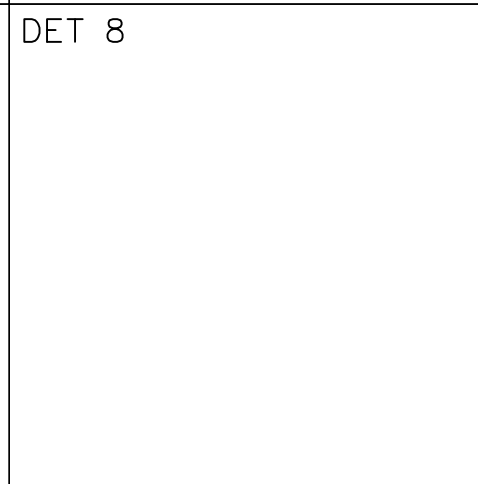
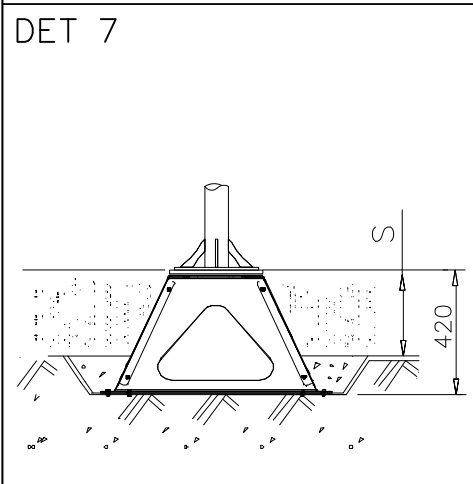
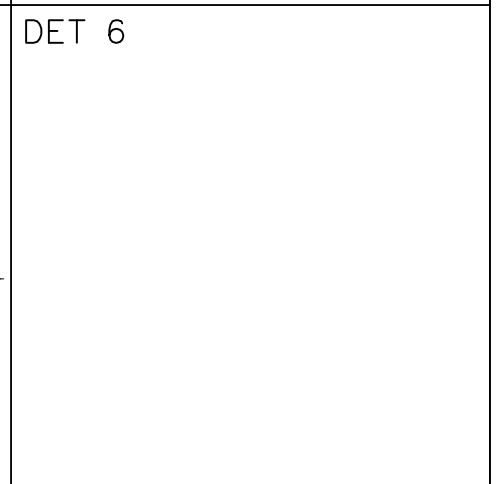
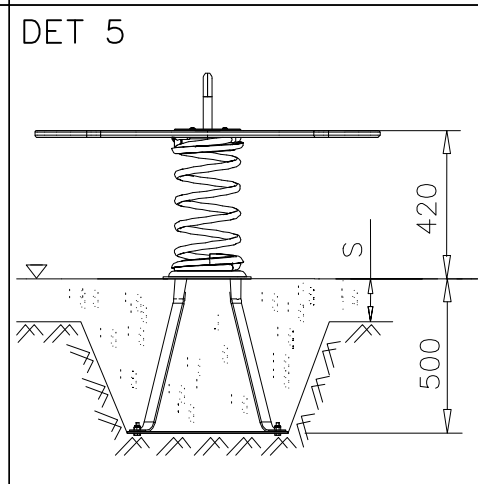
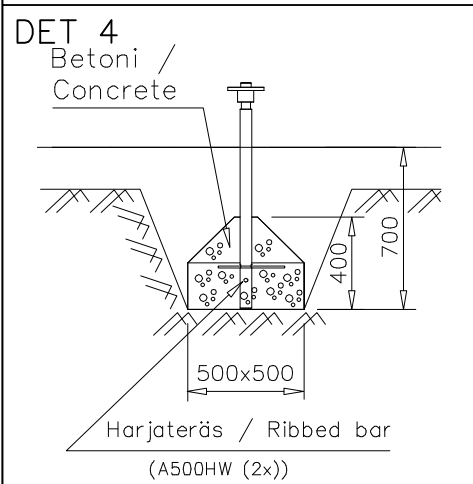
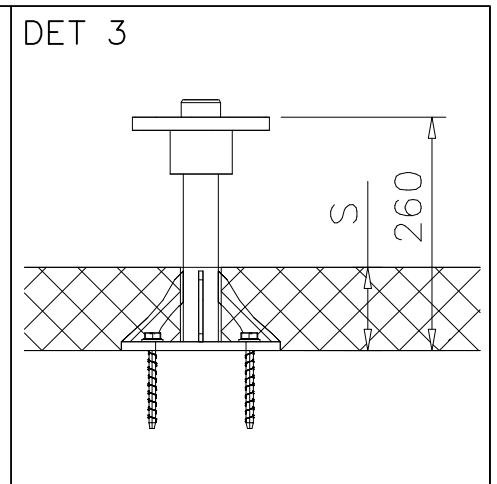
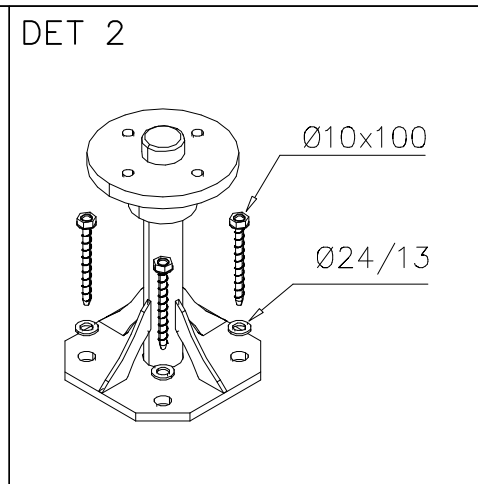
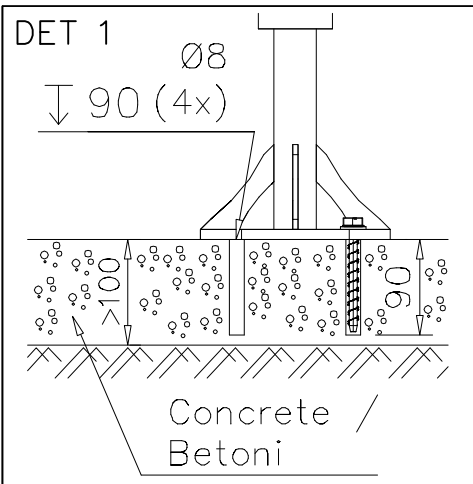


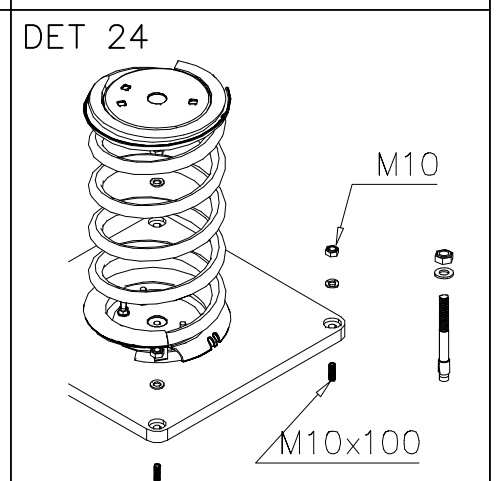
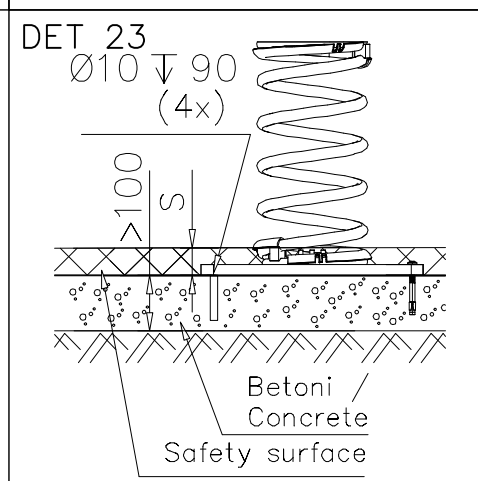
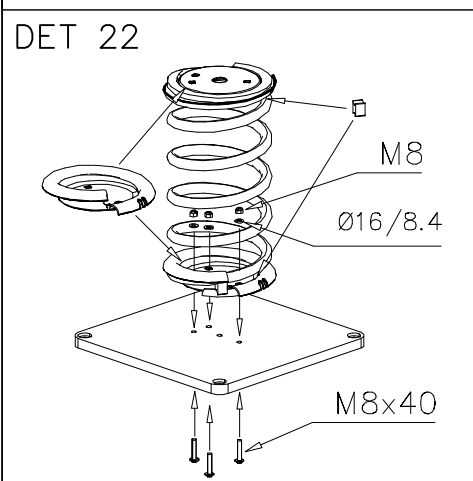
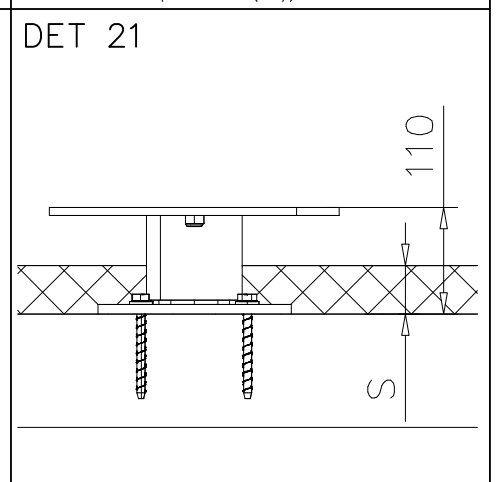
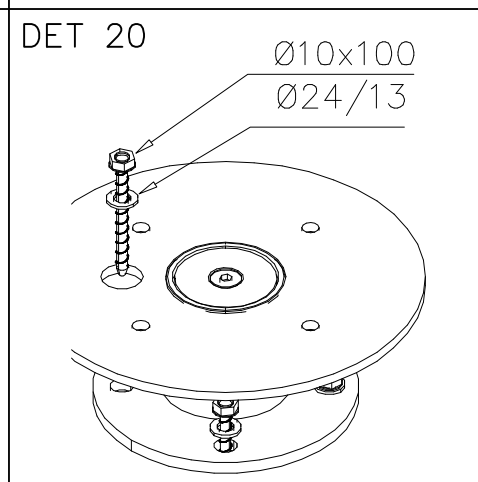
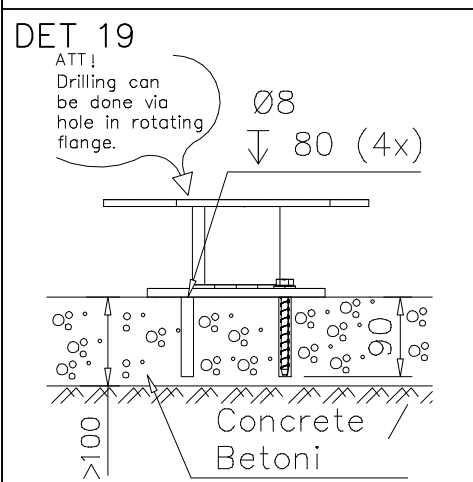
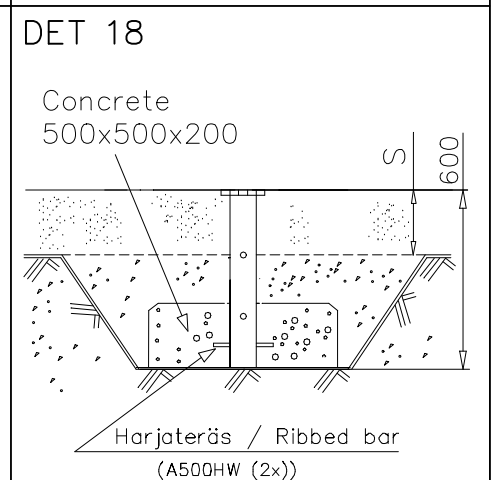
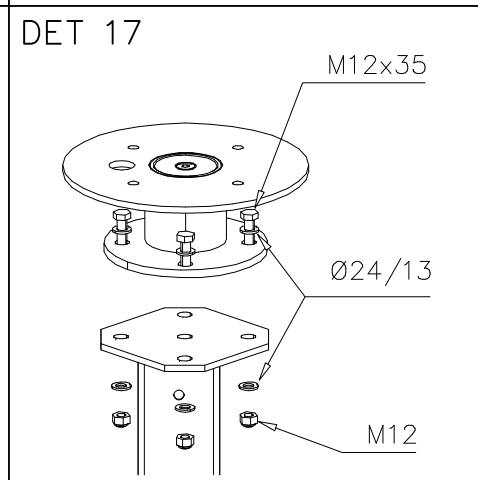
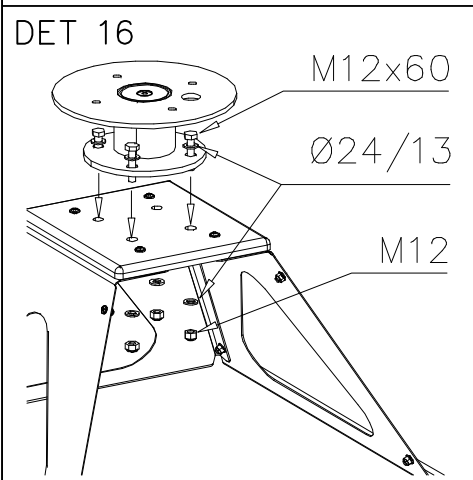
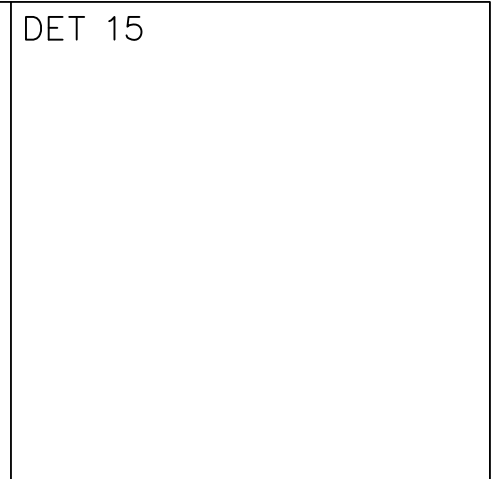
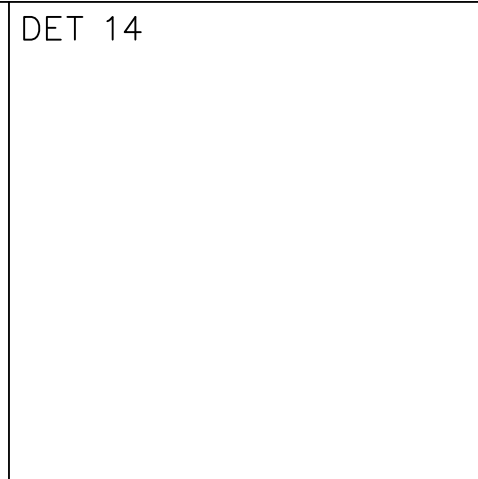
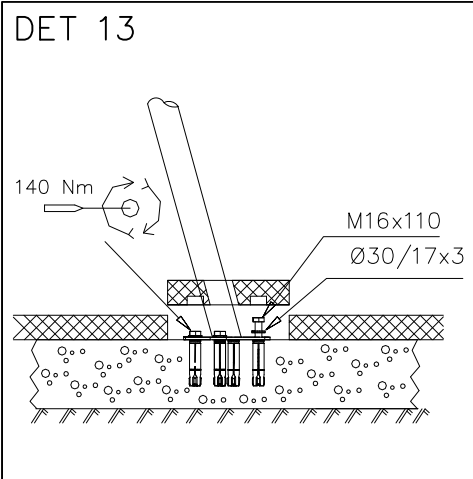


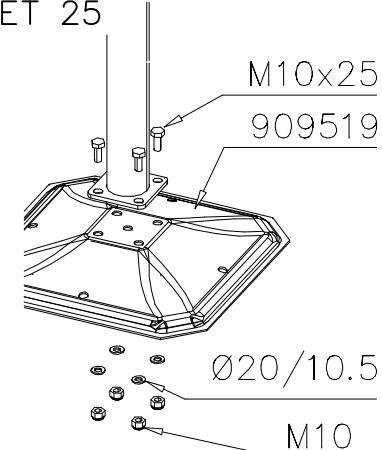
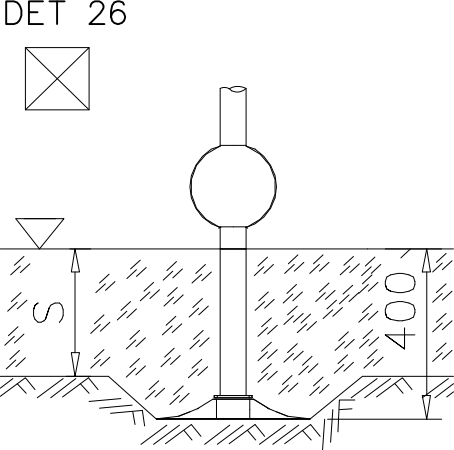
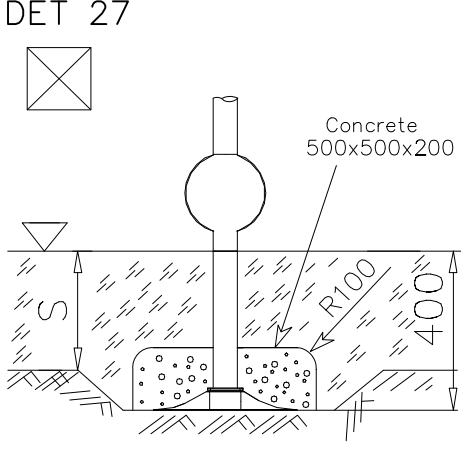
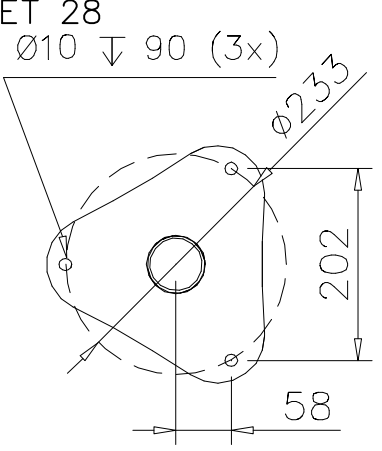
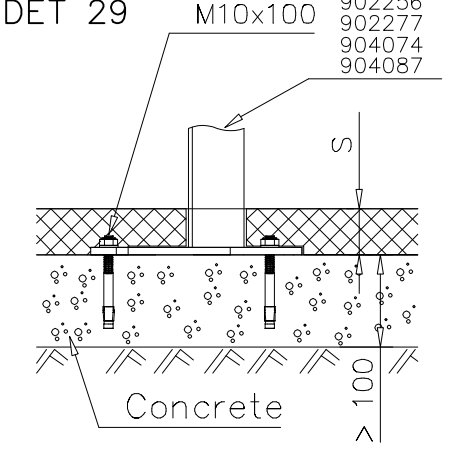
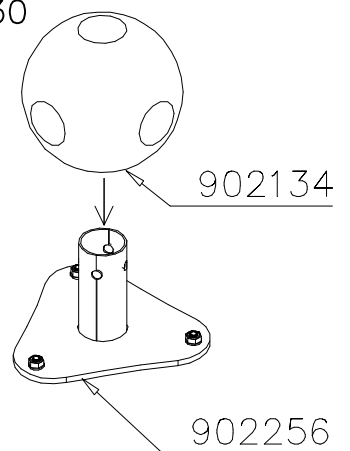
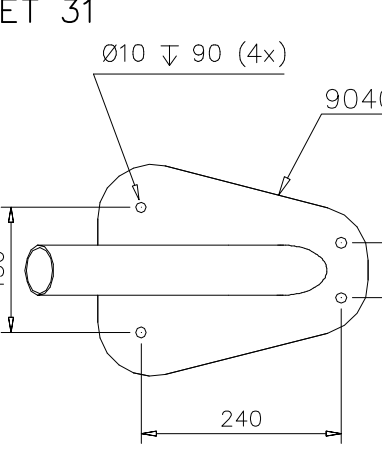
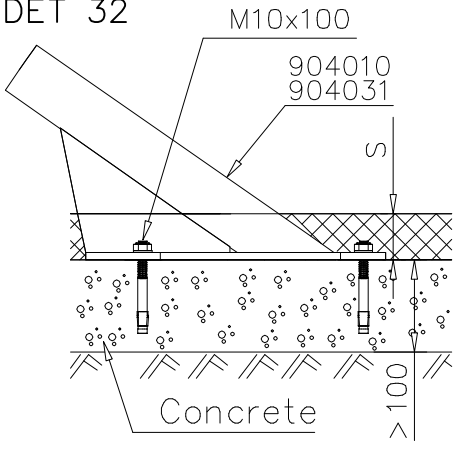
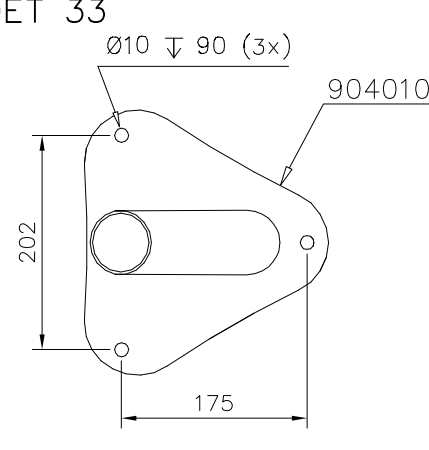
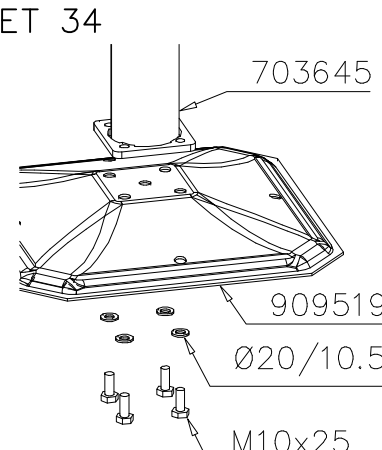
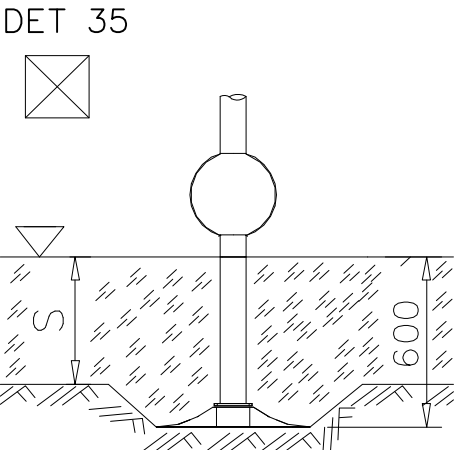











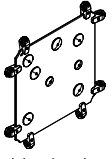
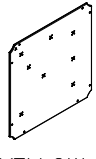
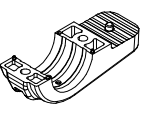
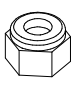
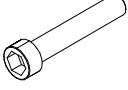
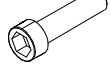

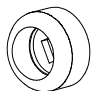
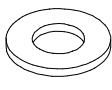




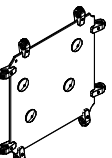
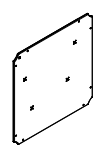
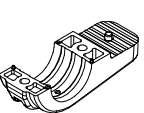
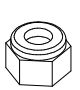
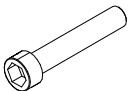
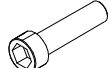
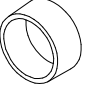
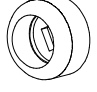
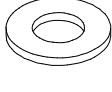


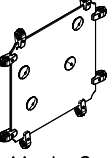
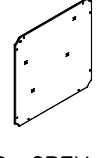
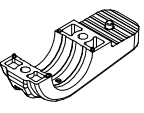
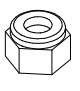
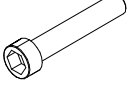
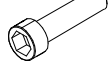

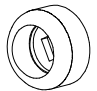
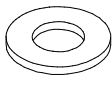


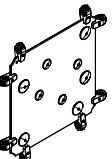

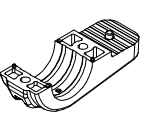
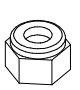
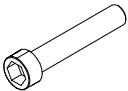
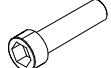
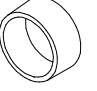
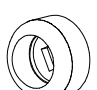
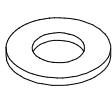

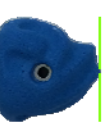

|  |   |  |
|--|---|--|
| <p>DET 25</p>  <p>M10x25<br/>909519</p> <p>Ø20/10.5<br/>M10</p>                     | <p>DET 26</p>  <p>Concrete<br/>500x500x200</p> <p>R100</p> <p>400</p>                                 | <p>DET 27</p>  <p>Concrete<br/>500x500x200</p> <p>R100</p> <p>400</p>     |
| <p>DET 28</p>  <p>Ø10 ↓ 90 (3x)</p> <p>Ø233</p> <p>202</p> <p>58</p>               | <p>DET 29</p>  <p>M10x100<br/>902256<br/>902277<br/>904074<br/>904087</p> <p>Concrete</p> <p>100</p> | <p>DET 30</p>  <p>902134</p> <p>902256</p>                               |
| <p>DET 31</p>  <p>Ø10 ↓ 90 (4x)</p> <p>904031</p> <p>150</p> <p>240</p> <p>66</p> | <p>DET 32</p>  <p>M10x100<br/>904010<br/>904031</p> <p>Concrete</p> <p>100</p>                      | <p>DET 33</p>  <p>Ø10 ↓ 90 (3x)</p> <p>904010</p> <p>202</p> <p>175</p> |
| <p>DET 34</p>  <p>703645</p> <p>909519</p> <p>Ø20/10.5</p> <p>M10x25</p>          | <p>DET 35</p>  <p>600</p>   | <p>DET 36</p>   |

# CLOXX

## WALL

DATE: 11.11.2016

1(7)

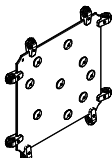
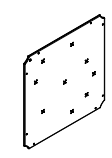
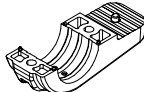
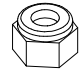
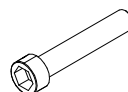
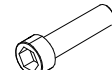
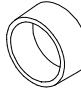

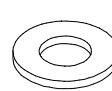
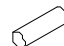


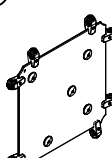
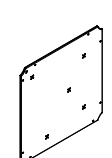
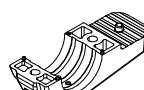
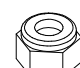
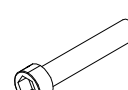


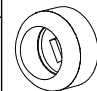
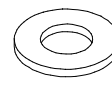
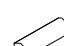

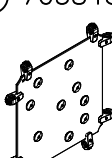
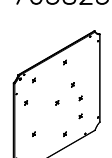
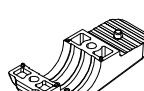
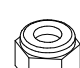
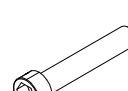



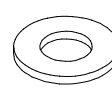
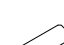


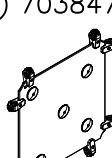
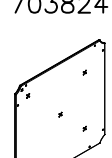
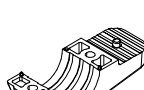

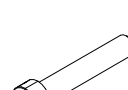



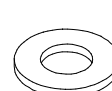

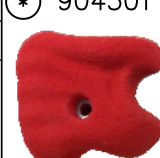
|  |  |  |  |  |   |  |
|--|--|--|--|--|---|--|
| <br>Mark A   | <br>YELLOW    | <br>150x50x50   | <br>M10     | <br>M10x55       | <br>M10x30       | <br>Ø30       |
|  | <br>Ø45       | <br>Ø20/10.5    | <br>Ø6x20   | <br>L GREEN      | <br>XXL YELLOW   | <br>XXL GREEN |
| <br>Mark B   | <br>D. GRAY   | <br>150x50x50   | <br>M10     | <br>M10x55       | <br>M10x30       | <br>Ø30       |
|  | <br>Ø45     | <br>Ø20/10.5  | <br>Ø6x20 | <br>XXL YELLOW |   |  |
| <br>Mark C | <br>D. GREY | <br>150x50x50 | <br>M10   | <br>M10x55     | <br>M10x30     | <br>Ø30     |
|  | <br>Ø45     | <br>Ø20/10.5  | <br>Ø6x20 | <br>XXL YELLOW |   |  |
| <br>Mark D | <br>YELLOW  | <br>150x50x50 | <br>M10   | <br>M10x55     | <br>M10x30     | <br>Ø30     |
|  | <br>Ø45     | <br>Ø20/10.5  | <br>Ø6x20 | <br>L BLUE     | <br>XXL YELLOW |  |

# CLOXX

**WALL**

DATE: 11.11.2016

**2(7)**

|  |   |          |   |           |   |           |  |           |  |          |   |          |
|--|---|----------|---|-----------|---|-----------|--|-----------|--|----------|---|----------|
| <br>Mark E   | PCS<br>703825<br><br>YELLOW    | PCS<br>1 | PCS<br>902124<br><br>150x50x50   | PCS<br>16 | PCS<br>980161<br><br>M10     | PCS<br>25 | PCS<br>902232<br><br>M10x55      | PCS<br>17 | PCS<br>902233<br><br>M10x30     | PCS<br>8 | PCS<br>905115<br><br>Ø30   | PCS<br>9 |
|  | PCS<br>905090<br><br>Ø45       | PCS<br>9 | PCS<br>901302<br><br>Ø20/10.5    | PCS<br>9  | PCS<br>904336<br><br>Ø6x20   | PCS<br>9  | PCS<br>* 904297<br><br>L GREEN   | PCS<br>4  | PCS<br>* 904298<br><br>L BLUE   | PCS<br>5 |   | PCS      |
| <br>Mark F   | PCS<br>703822<br><br>YELLOW    | PCS<br>1 | PCS<br>902124<br><br>150x50x50   | PCS<br>16 | PCS<br>980161<br><br>M10     | PCS<br>21 | PCS<br>902232<br><br>M10x55      | PCS<br>13 | PCS<br>902233<br><br>M10x30     | PCS<br>8 | PCS<br>905115<br><br>Ø30   | PCS<br>5 |
|  | PCS<br>905090<br><br>Ø45     | PCS<br>5 | PCS<br>901302<br><br>Ø20/10.5  | PCS<br>5  | PCS<br>904336<br><br>Ø6x20 | PCS<br>5  | PCS<br>* 904298<br><br>L BLUE  | PCS<br>5  |  | PCS      |   | PCS      |
| <br>Mark G | PCS<br>703823<br><br>YELLOW  | PCS<br>1 | PCS<br>902124<br><br>150x50x50 | PCS<br>16 | PCS<br>980161<br><br>M10   | PCS<br>25 | PCS<br>902232<br><br>M10x55    | PCS<br>17 | PCS<br>902233<br><br>M10x30   | PCS<br>8 | PCS<br>905115<br><br>Ø30 | PCS<br>9 |
|  | PCS<br>905090<br><br>Ø45     | PCS<br>9 | PCS<br>901302<br><br>Ø20/10.5  | PCS<br>9  | PCS<br>904336<br><br>Ø6x20 | PCS<br>9  | PCS<br>* 904297<br><br>L GREEN | PCS<br>4  | PCS<br>* 904298<br><br>L BLUE | PCS<br>5 |   | PCS      |
| <br>Mark H | PCS<br>703824<br><br>D. GREY | PCS<br>1 | PCS<br>902124<br><br>150x50x50 | PCS<br>16 | PCS<br>980161<br><br>M10   | PCS<br>21 | PCS<br>902232<br><br>M10x55    | PCS<br>13 | PCS<br>902233<br><br>M10x30   | PCS<br>8 | PCS<br>905115<br><br>Ø30 | PCS<br>5 |
|  | PCS<br>905090<br><br>Ø45     | PCS<br>5 | PCS<br>901302<br><br>Ø20/10.5  | PCS<br>5  | PCS<br>904336<br><br>Ø6x20 | PCS<br>5  | PCS<br>* 904301<br><br>XXL RED | PCS<br>5  |  | PCS      |   | PCS      |

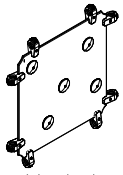

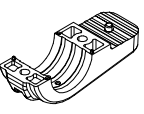
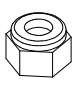
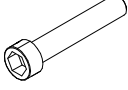
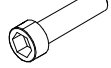

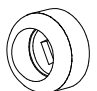
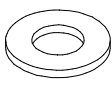


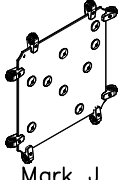
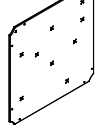
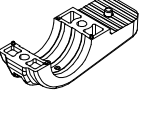
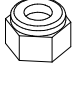
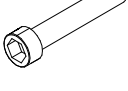
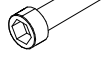

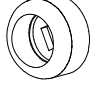
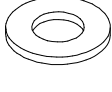



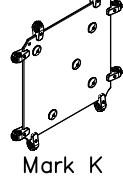


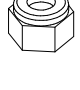



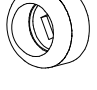
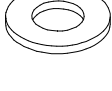


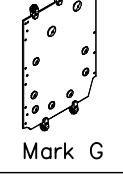

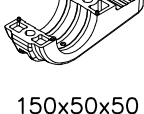
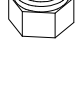


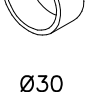
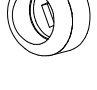







# CLOXX

## WALL

DATE: 11.11.2016

3(7)

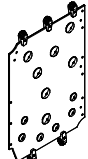

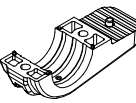
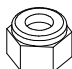
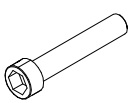
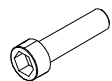
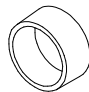





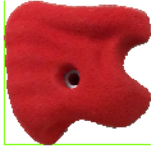

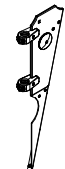

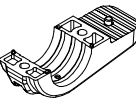
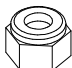
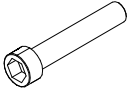
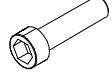
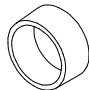






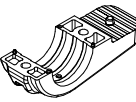

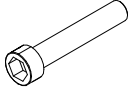
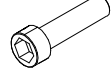
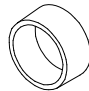
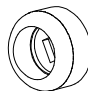





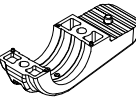

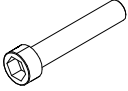
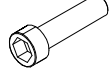
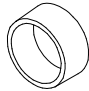
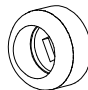


|  |  |  |  |  |  |  |                   |
|--|--|--|--|--|--|--|-------------------|
| <br>Mark I   | PCS 703821<br><br>D. GRAY   | PCS 902124<br><br>150x50x50   | PCS 980161<br><br>M10     | PCS 902232<br><br>M10x55     | PCS 902233<br><br>M10x30    | PCS 905115<br><br>Ø30         | PCS 905115<br>5   |
|  | PCS 905090<br><br>Ø45       | PCS 901302<br><br>Ø20/10.5    | PCS 904336<br><br>Ø6x20   | PCS * 904301<br><br>XXL RED  |  |  |                   |
| <br>Mark J   | PCS 703826<br><br>YELLOW    | PCS 902124<br><br>150x50x50   | PCS 980161<br><br>M10     | PCS 902232<br><br>M10x55     | PCS 902233<br><br>M10x30    | PCS 905115<br><br>Ø30         | PCS 905115<br>9   |
|  | PCS 905090<br><br>Ø45     | PCS 901302<br><br>Ø20/10.5  | PCS 904336<br><br>Ø6x20 | PCS * 904298<br><br>L BLUE | PCS * 904300<br><br>L RED |  |                   |
| <br>Mark K | PCS 703827<br><br>YELLOW  | PCS 902124<br><br>150x50x50 | PCS 980161<br><br>M10   | PCS 902232<br><br>M10x55   | PCS 902233<br><br>M10x30  | PCS 905115<br><br>Ø30       | PCS 905115<br>5   |
|  | PCS 905090<br><br>Ø45     | PCS 901302<br><br>Ø20/10.5  | PCS 904336<br><br>Ø6x20 | PCS * 904298<br><br>L BLUE |  |  |                   |
| <br>Mark G | PCS 703867<br><br>D. GRAY | PCS 902124<br><br>150x50x50 | PCS 980161<br><br>M10   | PCS 902232<br><br>M10x55   | PCS 902233<br><br>M10x30  | PCS 905115<br><br>Ø30       | PCS 905115<br>9   |
|  | PCS 905090<br><br>Ø45     | PCS 901302<br><br>Ø20/10.5  | PCS 904336<br><br>Ø6x20 | PCS * 904298<br><br>L BLUE | PCS * 904300<br><br>L RED | PCS * 904301<br><br>XXL RED | PCS * 904301<br>2 |

# CLOXX

## WALL

DATE: 11.11.2016

4(7)






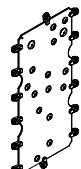

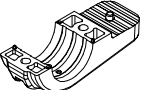

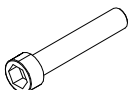
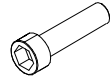
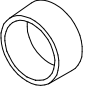
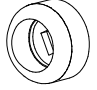





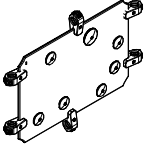
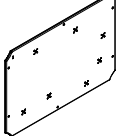
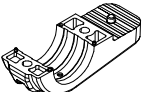
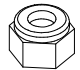
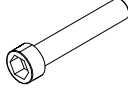
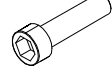
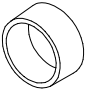
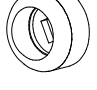
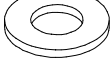




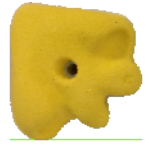
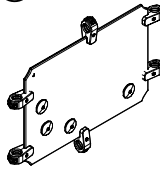
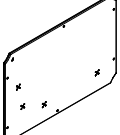
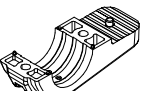
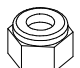
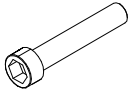
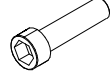
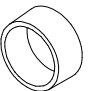
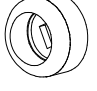




|   |   |  |   |  |   |   |
|---|---|--|---|--|---|---|
| <br>Mark F    | <br>YELLOW     | <br>150x50x50   | <br>M10        | <br>M10x55   | <br>M10x30   | <br>Ø30        |
| 703869  | 703866  | 902124   | 980161  | 902232   | 902233  | 905115  |
| PCS   | PCS   | PCS  | PCS   | PCS  | PCS   | PCS   |
| 1   | 1   | 10   | 23  | 18   | 5   | 13  |
| <br>Ø45       | <br>Ø20/10.5   | <br>Ø6x20       | <br>L Blue     | <br>L RED     | <br>XXL RED  | <br>XXL YELLOW |
| 905090  | 901302  | 904336   | * 904298  | * 904300   | * 904301  | * 904302  |
| PCS   | PCS   | PCS  | PCS   | PCS  | PCS   | PCS   |
| 13  | 13  | 13   | 4   | 2  | 3   | 4   |
| <br>Mark K   | <br>D. GRAY    | <br>150x50x50   | <br>M10        | <br>M10x55   | <br>M10x30   | <br>Ø30        |
| 703881  | 703880  | 902124   | 980161  | 902232   | 902233  | 905115  |
| PCS   | PCS   | PCS  | PCS   | PCS  | PCS   | PCS   |
| 1   | 1   | 4  | 5   | 3  | 2   | 1   |
| <br>Ø45    | <br>Ø20/10.5 | <br>Ø6x20     | <br>XXL RED |  |   |   |
| 905090  | 901302  | 904336   | * 904301  |  |   |   |
| PCS   | PCS   | PCS  | PCS   | PCS  | PCS   | PCS   |
| 1   | 1   | 1  | 1   | 1  |   |   |
| <br>Mark L | <br>YELLOW   | <br>150x50x50 | <br>M10      | <br>M10x55 | <br>M10x30 | <br>Ø30      |
| 703882  | 703879  | 902124   | 980161  | 902232   | 902233  | 905115  |
| PCS   | PCS   | PCS  | PCS   | PCS  | PCS   | PCS   |
| 1   | 1   | 4  | 5   | 3  | 2   | 1   |
| <br>Ø45    | <br>Ø20/10.5 | <br>Ø6x20     | <br>XXL RED |  |   |   |
| 905090  | 901302  | 904336   | * 904301  |  |   |   |
| PCS   | PCS   | PCS  | PCS   | PCS  | PCS   | PCS   |
| 1   | 1   | 1  | 1   | 1  |   |   |
| <br>Mark B | <br>D. GRAY  | <br>150x50x50 | <br>M10      | <br>M10x55 | <br>M10x30 | <br>Ø30      |
| 703883  | 703886  | 902124   | 980161  | 902232   | 902233  | 905115  |
| PCS   | PCS   | PCS  | PCS   | PCS  | PCS   | PCS   |
| 1   | 1   | 28   | 53  | 39   | 14  | 25  |
| <br>Ø45    | <br>Ø20/10.5 | <br>Ø6x20     |   |  |   |   |
| 905090  | 901302  | 904336   |   |  |   |   |
| PCS   | PCS   | PCS  | PCS   | PCS  | PCS   | PCS   |
| 25  | 25  | 25   | 25  |  |   |   |

# CLOXX

**WALL**

DATE: 11.11.2016

**5(7)**

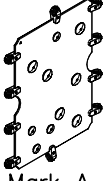
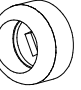
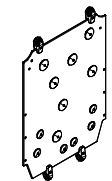

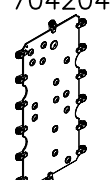
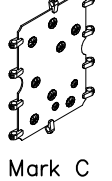
|  |   |  |   |   |  |   |  |  |  |  |  |
|--|---|--|---|---|--|---|--|--|--|--|--|
|  | PCS<br>904297<br><br>L GREEN   | PCS<br>* 904299<br><br>L YELLOW   | PCS<br>* 904300<br><br>L RED   | PCS<br>* 904301<br><br>XXL RED      | PCS<br>* 904302<br><br>XXL YELLOW |   |  |  |  |  |  |
| 703884<br><br>Mark H   | PCS<br>703885<br><br>YELLOW    | PCS<br>902124<br><br>150x50x50    | PCS<br>980161<br><br>M10       | PCS<br>902232<br><br>M10x55         | PCS<br>902233<br><br>M10x30       | PCS<br>905115<br><br>Ø30       |  |  |  |  |  |
|  | PCS<br>905090<br><br>Ø45       | PCS<br>901302<br><br>Ø20/10.5     | PCS<br>904336<br><br>Ø6x20     | PCS<br>* 904298<br><br>L Blue        | PCS<br>* 904300<br><br>L RED      | PCS<br>* 904301<br><br>XXL RED |  |  |  |  |  |
| 703887<br><br>Mark I | PCS<br>703889<br><br>D. GRAY | PCS<br>902124<br><br>150x50x50  | PCS<br>980161<br><br>M10     | PCS<br>902232<br><br>M10x55       | PCS<br>902233<br><br>M10x30     | PCS<br>905115<br><br>Ø30     |  |  |  |  |  |
|  | PCS<br>905090<br><br>Ø45     | PCS<br>901302<br><br>Ø20/10.5   | PCS<br>904336<br><br>Ø6x20   |   |  |   |  |  |  |  |  |
|  | PCS<br>904298<br><br>L BLUE  | PCS<br>* 904299<br><br>L YELLOW | PCS<br>* 904300<br><br>L RED | PCS<br>* 904302<br><br>XXL YELLOW |  |   |  |  |  |  |  |
| 703888<br><br>Mark J | PCS<br>703890<br><br>YELLOW  | PCS<br>902124<br><br>150x50x50  | PCS<br>980161<br><br>M10     | PCS<br>902232<br><br>M10x55       | PCS<br>902233<br><br>M10x30     | PCS<br>905115<br><br>Ø30     |  |  |  |  |  |
|  | PCS<br>905090<br><br>Ø45     | PCS<br>901302<br><br>Ø20/10.5   | PCS<br>904336<br><br>Ø6x20   | PCS<br>* 904298<br><br>L BLUE     | PCS<br>* 904300<br><br>L RED    |   |  |  |  |  |  |

# CLOXX

## WALL

DATE: 11.11.2016

6(7)

|  |                                 |                                  |                                  |                                 |                                 |                                    |
|--|---------------------------------|----------------------------------|----------------------------------|---------------------------------|---------------------------------|------------------------------------|
| <br>Mark A   | PCS<br>703892<br>1<br>YELLOW    | PCS<br>902124<br>20<br>150x50x50 | PCS<br>980161<br>30<br>M10       | PCS<br>902232<br>20<br>M10x55   | PCS<br>902233<br>10<br>M10x30   | PCS<br>905115<br>10<br>Ø30         |
| <br>Ø45      | PCS<br>901302<br>10<br>Ø20/10.5 | PCS<br>904336<br>10<br>Ø6x20     | PCS<br>* 904299<br>2<br>L YELLOW | PCS<br>* 904300<br>2<br>L RED   | PCS<br>* 904301<br>2<br>XXL RED | PCS<br>* 904302<br>4<br>XXL YELLOW |
| <br>Mark M   | PCS<br>703895<br>1<br>YELLOW    | PCS<br>902124<br>8<br>150x50x50  | PCS<br>980161<br>21<br>M10       | PCS<br>902232<br>17<br>M10x55   | PCS<br>902233<br>4<br>M10x30    | PCS<br>905115<br>13<br>Ø30         |
| <br>Ø45    | PCS<br>901302<br>13<br>Ø20/10.5 | PCS<br>904336<br>13<br>Ø6x20     | PCS<br>* 904298<br>4<br>L Blue   | PCS<br>* 904300<br>2<br>L RED   | PCS<br>* 904301<br>3<br>XXL RED | PCS<br>* 904302<br>4<br>XXL YELLOW |
| <br>Mark E | PCS<br>704200<br>1<br>D. GRAY   | PCS<br>902124<br>28<br>150x50x50 | PCS<br>980161<br>43<br>M10       | PCS<br>902232<br>29<br>M10x55   | PCS<br>902233<br>14<br>M10x30   | PCS<br>905115<br>15<br>Ø30         |
|  | PCS<br>905090<br>15<br>Ø45      | PCS<br>901302<br>15<br>Ø20/10.5  | PCS<br>904336<br>15<br>Ø6x20     | PCS<br>* 904298<br>11<br>L Blue | PCS<br>* 904300<br>3<br>L RED   | PCS<br>* 904301<br>1<br>XXL RED    |
| <br>Mark C | PCS<br>704195<br>1<br>D. GRAY   | PCS<br>902124<br>20<br>150x50x50 | PCS<br>980161<br>30<br>M10       | PCS<br>902232<br>20<br>M10x55   | PCS<br>902233<br>10<br>M10x30   | PCS<br>905115<br>10<br>Ø30         |
|  | PCS<br>905090<br>10<br>Ø45      | PCS<br>901302<br>10<br>Ø20/10.5  | PCS<br>904336<br>10<br>Ø6x20     | PCS<br>* 904300<br>2<br>L RED   | PCS<br>* 904301<br>2<br>XXL RED | PCS<br>* 904302<br>6<br>XXL YELLOW |



# WINAM GROUP GRIP INSTALLATION

# CLOXX

DATE: 3.11.2016



HUOM!

Otepalan asennus, säätö tai paikan vaihto.  
Säätömahdollisuus (90°,180°,270°).

Jos asennetun otepalan suunta- tai paikkaa halutaan muuttaa. Irrota otepalan kiinnityspultti ja otepala, käännä tai vaihda. Siirrä tarvittaessa tappi oikeaan upotusreikään. Asenna avatut osat paikoilleen ja lopuksi kiinnitä muovitulppa Ø30 paikoilleen kaikkiin otekokoonpanoihin.

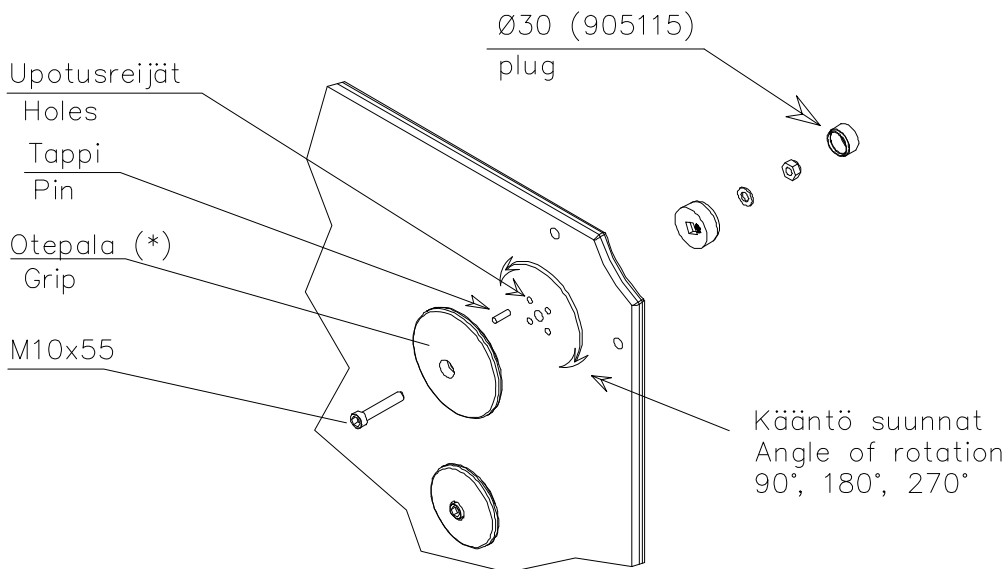
NOTE:

Grip positions and angles are adjustable (90°,180°270°).

Grip can be repositioned by removing the fastening bolt and pulling the grip off.

Securing pin can be repositioned when angle is changed.

After the parts are reassembled. Finish the assembly by fastening the cover plugs (Ø30).



# WINAM GROUP WALL INSTALLATION

# CLOXX

DATE: 2.11.2016

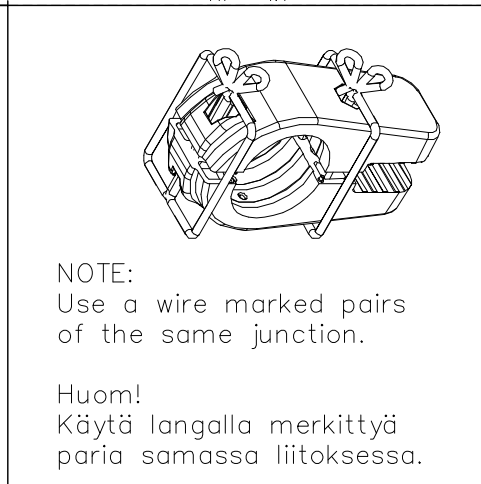
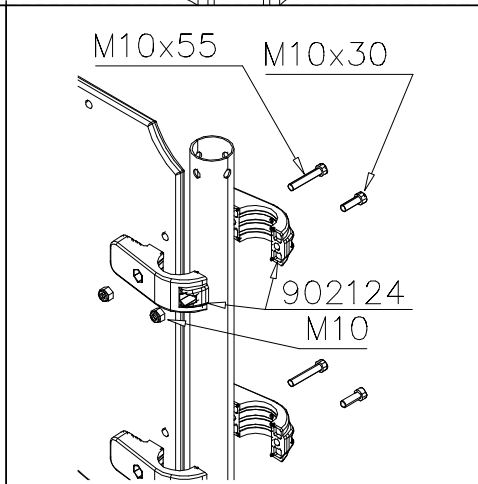
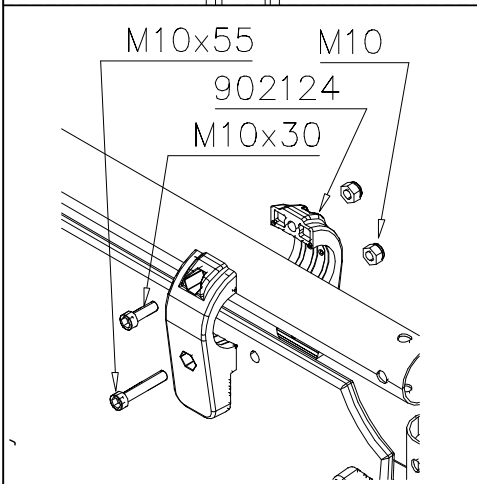
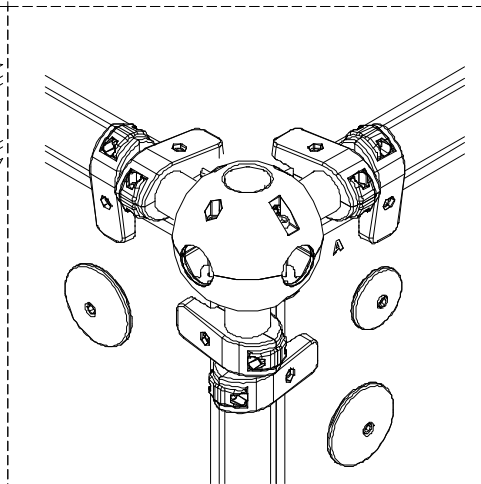
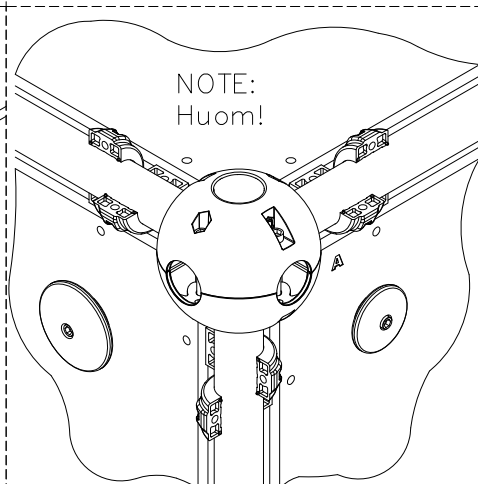
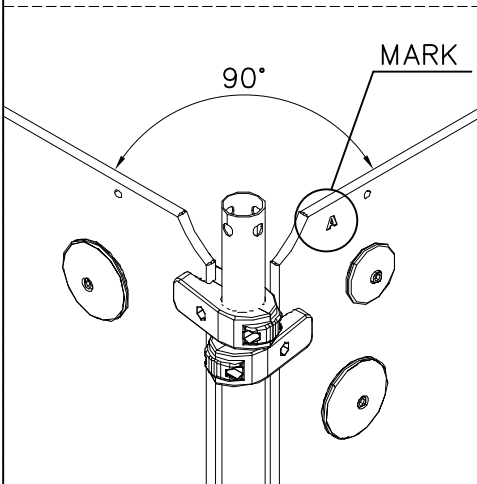
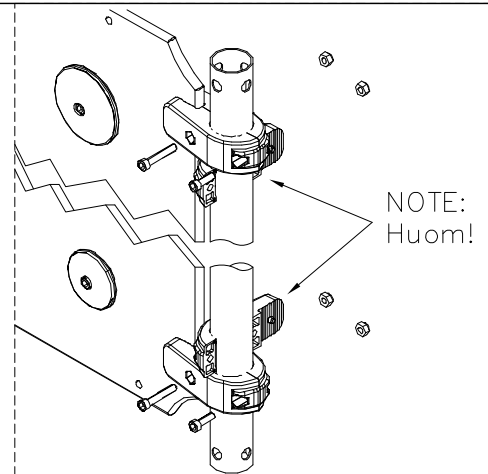


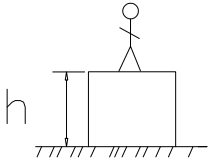



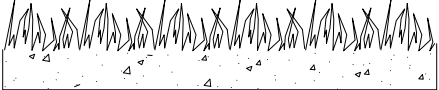
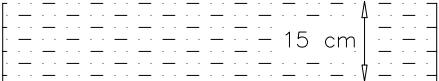
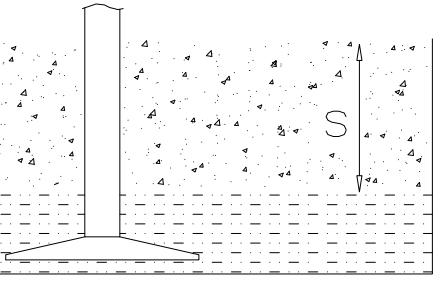
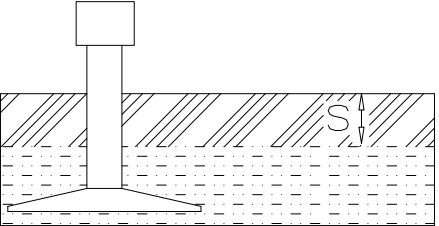
**NOTE:**

When two or more plates are assembled directly next to each other, the connectors of ALL the adjacent plates need to be placed between the first plate and the tube while fixing the first wall plate. The connectors cannot be fitted through the gap between tube and completely fixed wall plate.

**Huom:**

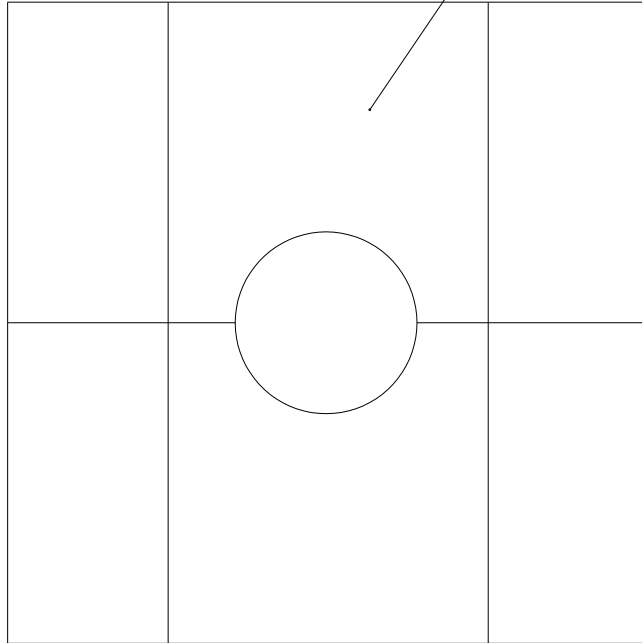
Kun yksi tai useampi levy asennetaan vierekkäin, tulee kaikkien vierekkäisten levyjen kiinnikkeet asettaa valmiiksi putken ja ensimmäisen levyn väliin. Kiinnityskappaleita ei voi pujottaa putken ja kiinnitetyn levyn välistä jälkeempään.



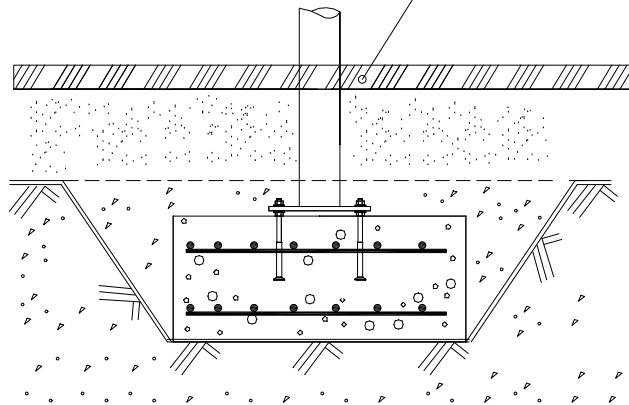
|   |  |   |                 |                 |                |         |                |         |                |       |                |   |
|---|--|---|-----------------|-----------------|----------------|---------|----------------|---------|----------------|-------|----------------|---|
|                 |  |   |                 |                 |                |         |                |         |                |       |                |   |
| <p><b><math>h &lt; 600</math></b></p> <p>Without movement and therefore without Impact Area</p> | <p>Totally hard surfaces.</p> <p>Note. Lappset does <u>not</u> recommend totally hard surfaces at all.</p>   | <p>E.g. concrete or asphalt</p>    |                 |                 |                |         |                |         |                |       |                |   |
| <p><b><math>h &lt; 600</math></b></p> <p>With movement e.g. rocking</p>                         | <p>Materials with very limited impact attenuating properties.</p>  | <p>E.g. wood</p>   |                 |                 |                |         |                |         |                |       |                |   |
| <p><b><math>h &lt; 1000</math></b></p>  | <p>Materials with significant impact attenuating properties.</p>   | <p>fine gravel 0–8 mm</p>  <p>grass</p>  <p>unsorted sand</p>  |                 |                 |                |         |                |         |                |       |                |   |
| <p><b><math>h &lt; 3000</math></b></p>  | <p>Loose fill material</p> <p>E.g.<br/>sand/gravel 0,25...8 mm D60/D10&lt;3,0<br/>Woodchips 5...30 mm<br/>bark 20...80 mm</p>  |  <table data-bbox="1024 1688 1331 1787"> <tr> <td><math>\underline{S}</math></td> <td><math>\underline{h}</math></td> </tr> <tr> <td>30 cm</td> <td>&lt; 2,0 m</td> </tr> <tr> <td>40 cm</td> <td>&lt; 3,0 m</td> </tr> </table>       | $\underline{S}$ | $\underline{h}$ | 30 cm          | < 2,0 m | 40 cm          | < 3,0 m |                |       |                |   |
| $\underline{S}$   | $\underline{h}$  |   |                 |                 |                |         |                |         |                |       |                |   |
| 30 cm   | < 2,0 m  |   |                 |                 |                |         |                |         |                |       |                |   |
| 40 cm   | < 3,0 m  |   |                 |                 |                |         |                |         |                |       |                |   |
|   | <p>Syntethic granulates</p> <table data-bbox="405 1899 756 2056"> <tr> <td><math>\underline{S}</math></td> <td><math>\underline{h}</math></td> </tr> <tr> <td>40 mm</td> <td>~&gt; 1,2...1,3 m</td> </tr> <tr> <td>50 mm</td> <td>~&gt; 1,5...1,7 m</td> </tr> <tr> <td>60 mm</td> <td>~&gt; 1,8...2,0 m</td> </tr> <tr> <td>70 mm</td> <td>~&gt; 2,1...2,5 m</td> </tr> </table> <p>Note. For accurate values, see manufacturer's instructions.</p> | $\underline{S}$   | $\underline{h}$ | 40 mm           | ~> 1,2...1,3 m | 50 mm   | ~> 1,5...1,7 m | 60 mm   | ~> 1,8...2,0 m | 70 mm | ~> 2,1...2,5 m |  |
| $\underline{S}$   | $\underline{h}$  |   |                 |                 |                |         |                |         |                |       |                |   |
| 40 mm   | ~> 1,2...1,3 m   |   |                 |                 |                |         |                |         |                |       |                |   |
| 50 mm   | ~> 1,5...1,7 m   |   |                 |                 |                |         |                |         |                |       |                |   |
| 60 mm   | ~> 1,8...2,0 m   |   |                 |                 |                |         |                |         |                |       |                |   |
| 70 mm   | ~> 2,1...2,5 m   |   |                 |                 |                |         |                |         |                |       |                |   |



REMOVE SAFETY SURFACE/SAND/GRAVEL  
TO CHECK FOUNDATION



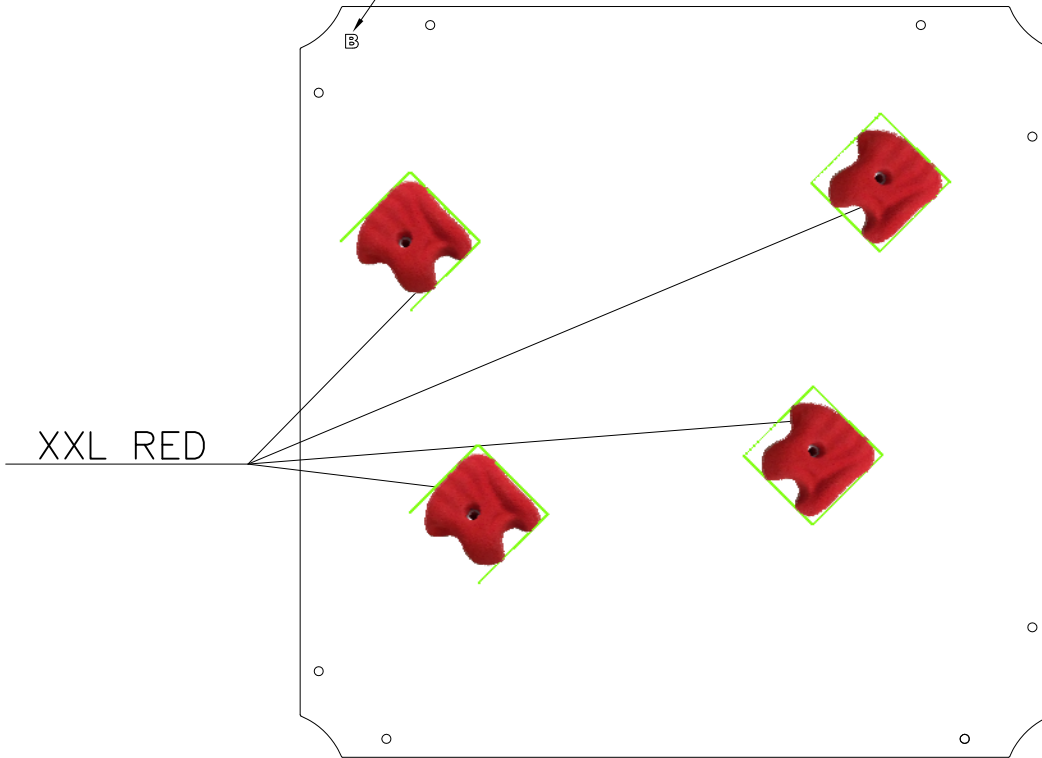
REMOVE SAFETY SURFACE/SAND/GRAVEL  
TO CHECK FOUNDATION

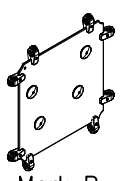
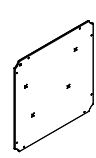
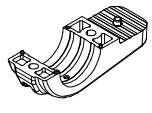

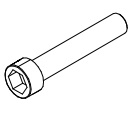
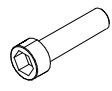
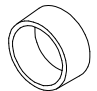
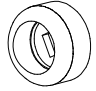





B

Merkki osoittaa levyn asennon (kts. pääohje).

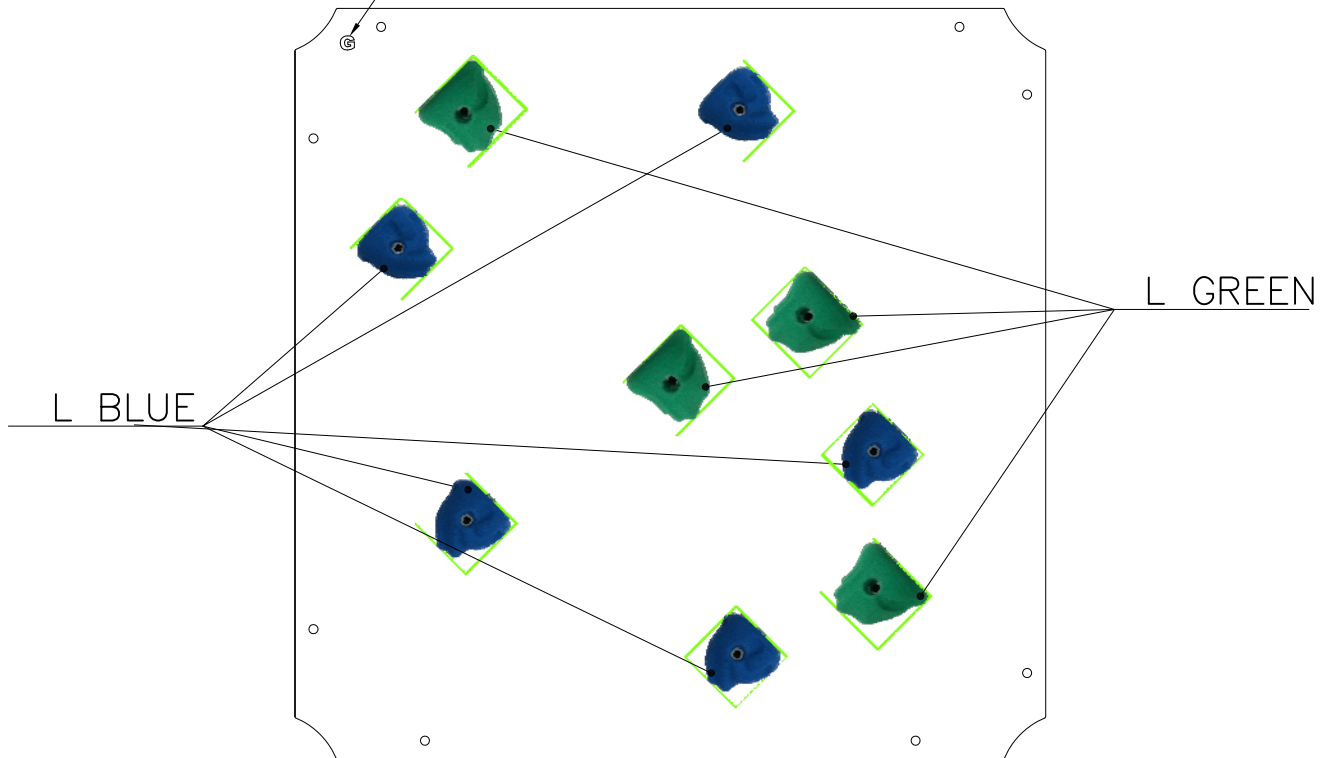
This mark indicates the position of the plate (check main installation instruction).

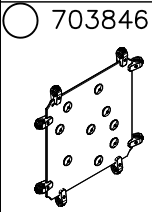
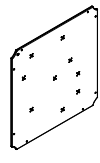
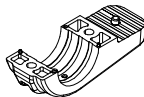
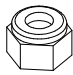
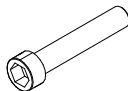
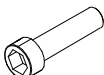
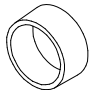
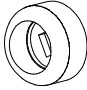
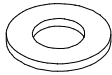


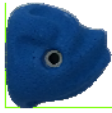


|  |   |   |   |  |   |   |
|--|---|---|---|--|---|---|
| 703841   | 703818  | 902124  | 980161  | 902232   | 902233  | 905115  |
|  |  |  |  |  |  |  |
| Mark B   | D. GRAY   | 150x50x50   | M10   | M10x55   | M10x30  | Ø30   |
|  | 905090  | 901302  | 904336  | * 904301   |   |   |
|  |  |  |  |  |   |   |
|  | Ø45   | Ø20/10.5  | Ø6x20   | XXL RED  |   |   |

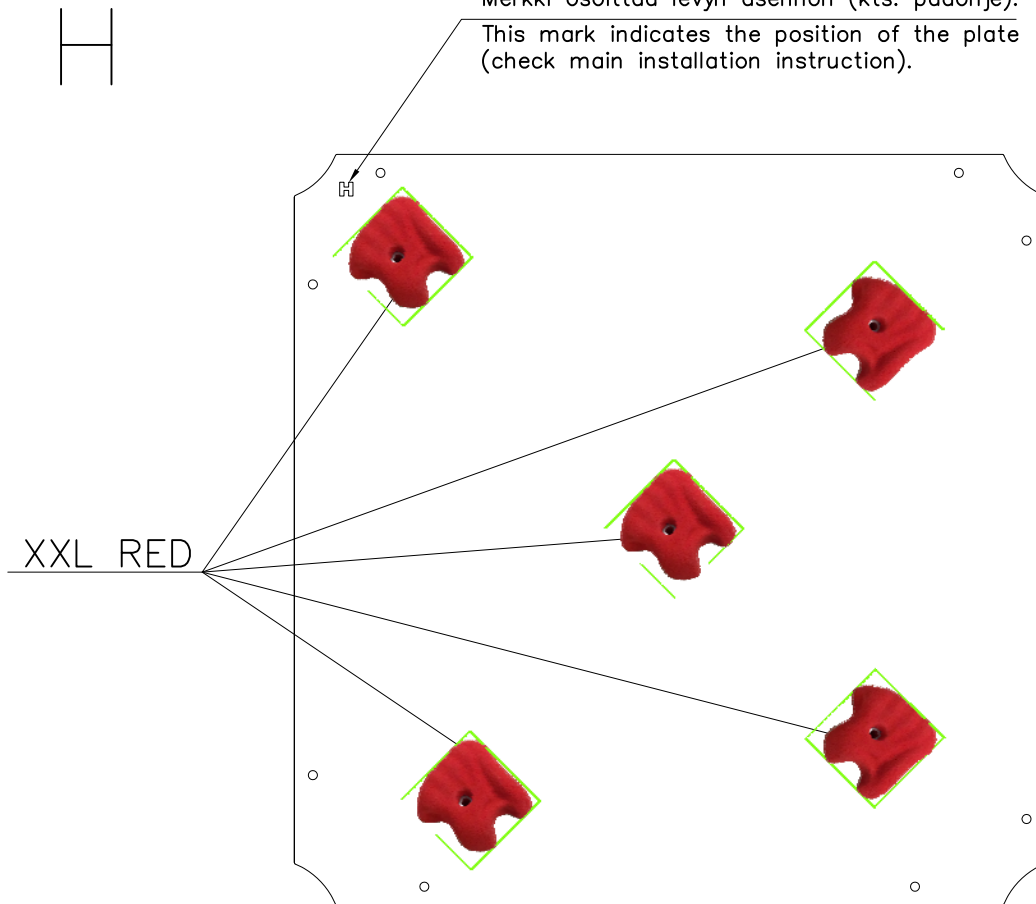
G

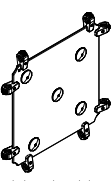

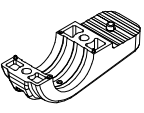
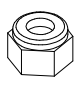
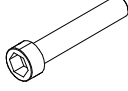
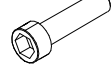

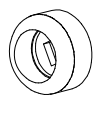
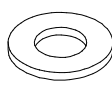


Merkki osoittaa levyn asennon (kts. pääohje).  
This mark indicates the position of the plate (check main installation instruction).

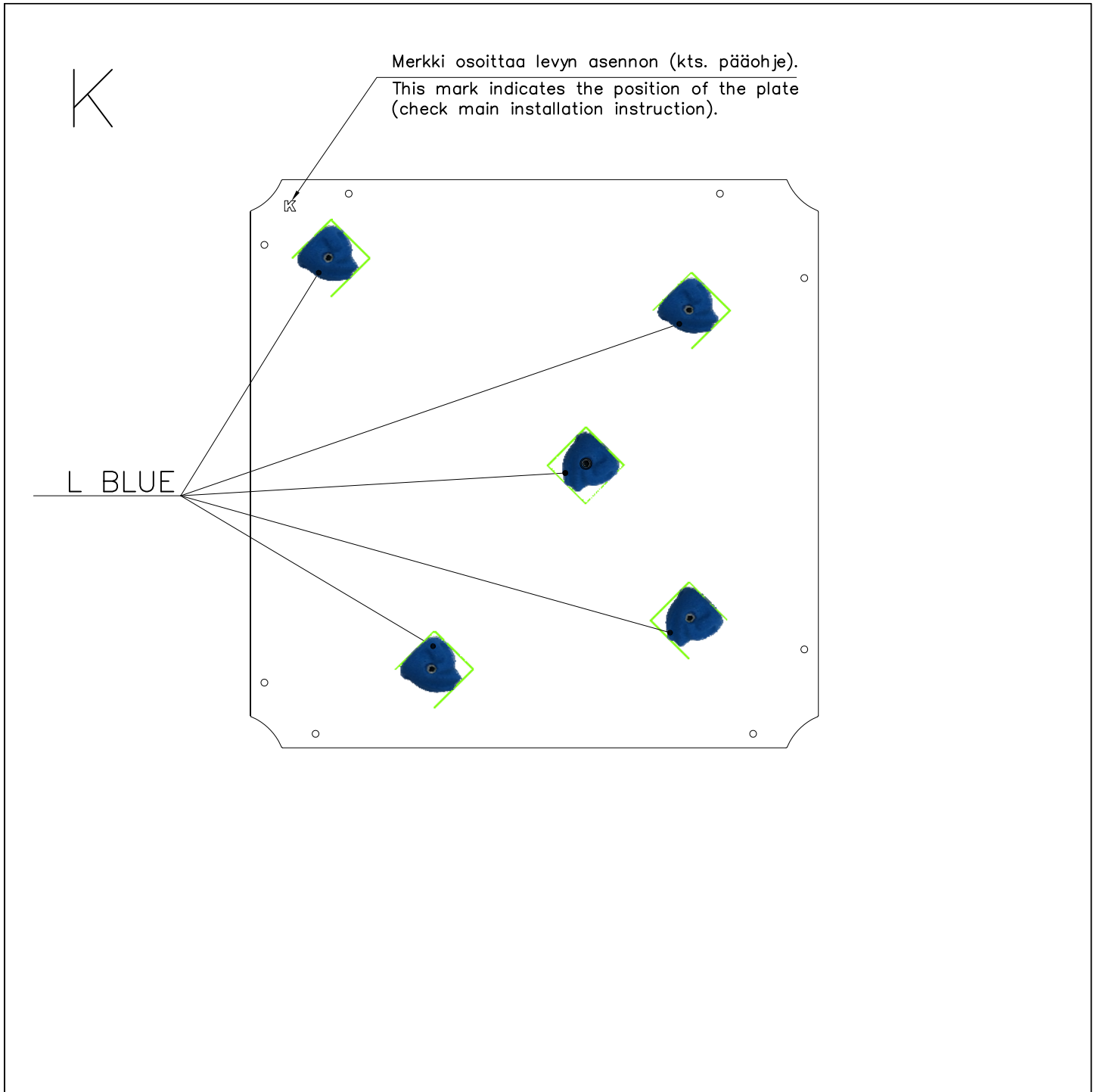


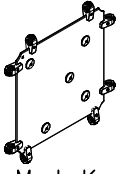

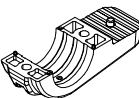

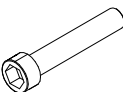
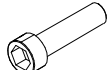

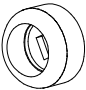
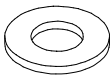

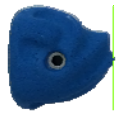
|  |     |   |     |   |     |   |     |  |     |   |     |   |     |
|--|-----|---|-----|---|-----|---|-----|--|-----|---|-----|---|-----|
|  | PCS |  | PCS |  | PCS |  | PCS |  | PCS |  | PCS |  | PCS |
| 703846   |     | 703823  | 1   | 902124  | 16  | 980161  | 25  | 902232   | 17  | 902233  | 8   | 905115  | 9   |
| Mark G   |     | YELLOW  |     | 150x50x50   |     | M10   |     | M10x55   |     | M10x30  |     | Ø30   |     |
|  | PCS |  | PCS |  | PCS |  | PCS |  | PCS |  | PCS |   | PCS |
|  |     | 905090  | 9   | 901302  | 9   | 904336  | 9   | * 904297   | 4   | * 904298  | 5   |   |     |
|  |     | Ø45   |     | Ø20/10.5  |     | Ø6x20   |     | L GREEN  |     | L BLUE  |     |   |     |

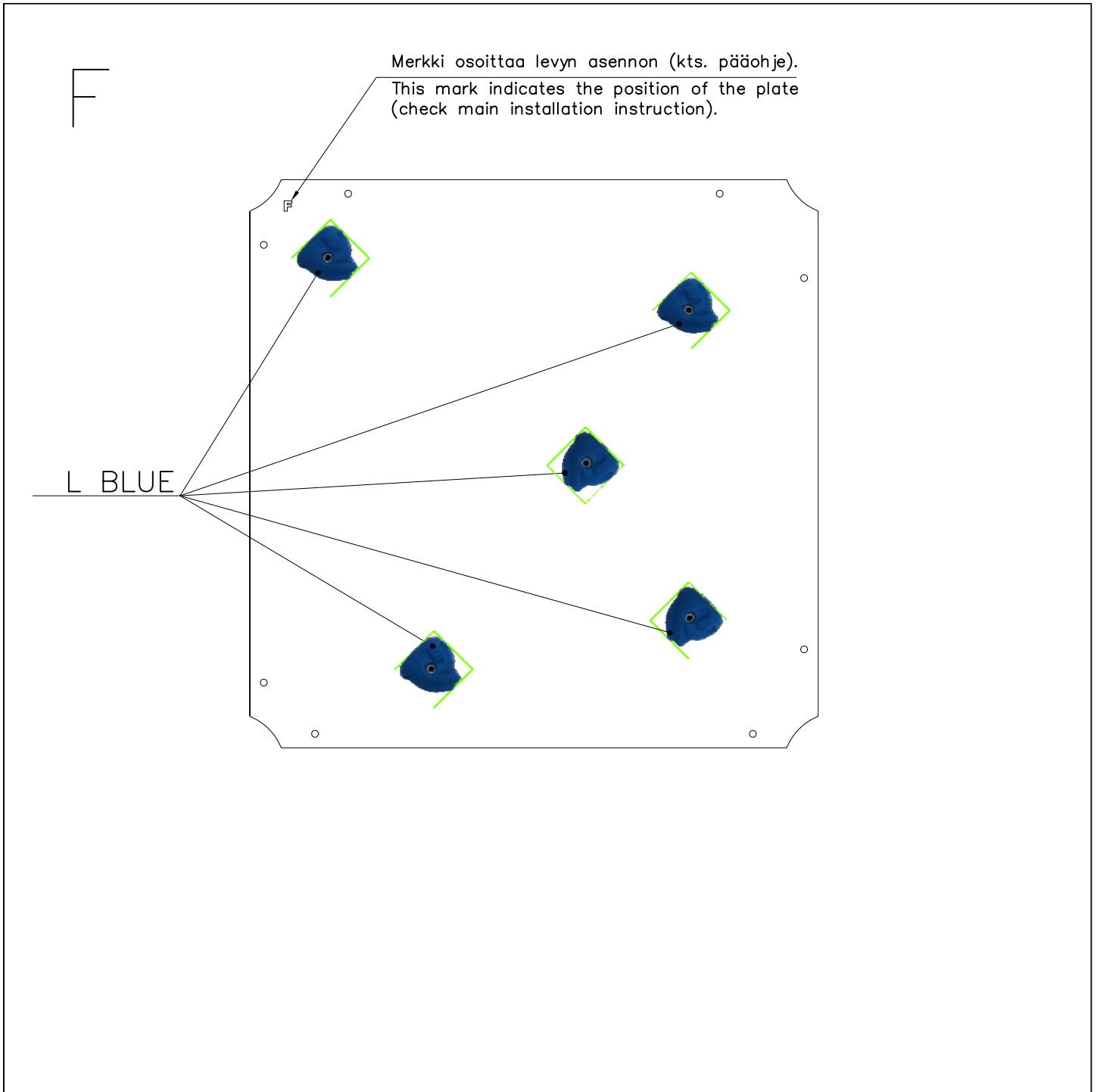
Merkki osoittaa levyn asennon (kts. pääohje).  
This mark indicates the position of the plate (check main installation instruction).

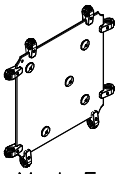

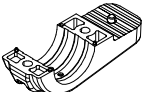

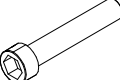
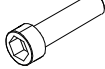
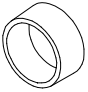






|   |     |   |     |   |     |   |     |  |     |   |     |   |     |
|---|-----|---|-----|---|-----|---|-----|--|-----|---|-----|---|-----|
| 703847  | PCS | 703824  | PCS | 902124  | PCS | 980161  | PCS | 902232   | PCS | 902233  | PCS | 905115  | PCS |
|  |     |  | 1   |  | 16  |  | 21  |  | 13  |  | 8   |  | 5   |
| Mark H  |     | D. GREY   |     | 150x50x50   |     | M10   |     | M10x55   |     | M10x30  |     | Ø30   |     |
|   | PCS | 905090  | PCS | 901302  | PCS | 904336  | PCS | * 904301   | PCS |   | PCS |   | PCS |
|   |     |  | 5   |  | 5   |  | 5   |  | 5   |   |     |   |     |
|   |     | Ø45   |     | Ø20/10.5  |     | Ø6x20   |     | XXL RED  |     |   |     |   |     |



|   |     |   |     |   |     |   |     |  |     |   |     |   |     |
|---|-----|---|-----|---|-----|---|-----|--|-----|---|-----|---|-----|
| ○ 703850  | PCS | 703827  | PCS | 902124  | PCS | 980161  | PCS | 902232   | PCS | 902233  | PCS | 905115  | PCS |
|  |     |  | 1   |  | 16  |  | 21  |  | 13  |  | 8   |  | 5   |
| Mark K  |     | YELLOW  |     | 150x50x50   |     | M10   |     | M10x55   |     | M10x30  |     | Ø30   |     |
|   | PCS | 905090  | PCS | 901302  | PCS | 904336  | PCS | * 904298   | PCS |   | PCS |   | PCS |
|   |     |  | 5   |  | 5   |  | 5   |  | 5   |   |     |   |     |
|   |     | Ø45   |     | Ø20/10.5  |     | Ø6x20   |     | L BLUE   |     |   |     |   |     |

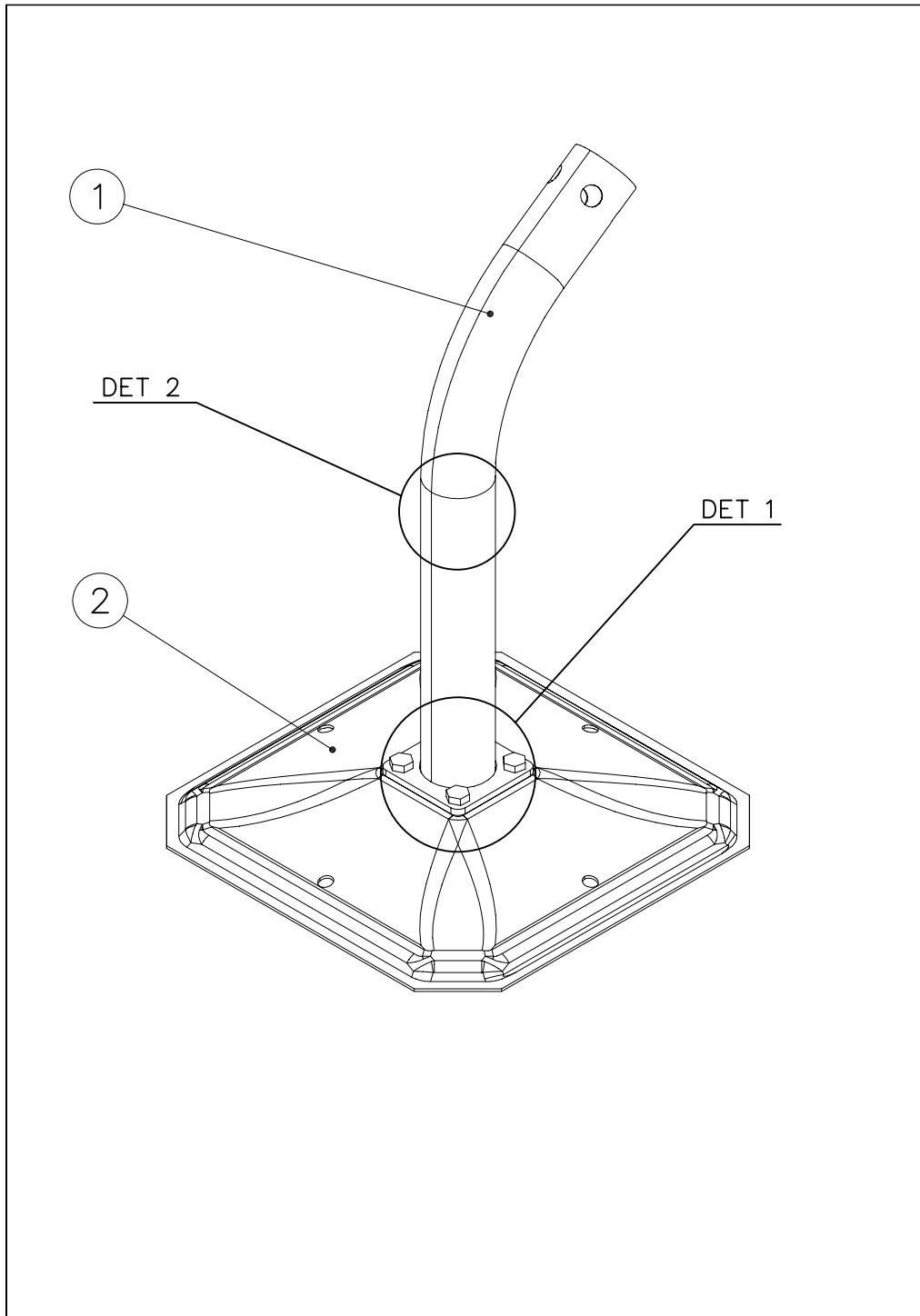


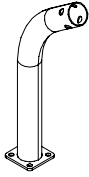
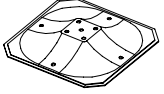


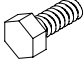
|   |   |  |  |  |   |  |
|---|---|--|--|--|---|--|
| <br>Mark F | <br>YELLOW   | <br>150x50x50 | <br>M10     | <br>M10x55 | <br>M10x30 | <br>Ø30 |
| <br>Ø45    | <br>Ø20/10.5 | <br>Ø6x20     | <br>L BLUE |  |   |  |

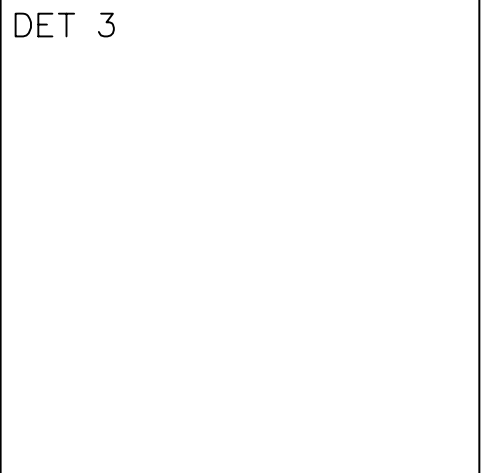
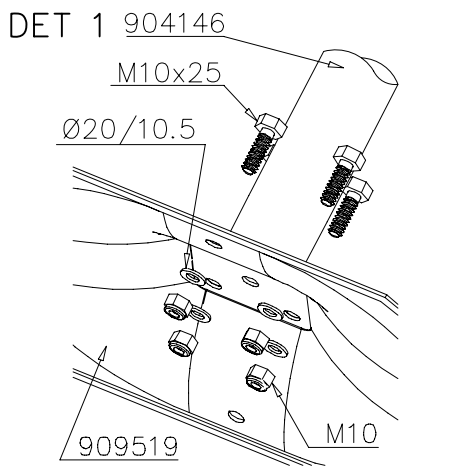
# WINAM GROUP PARKOUR

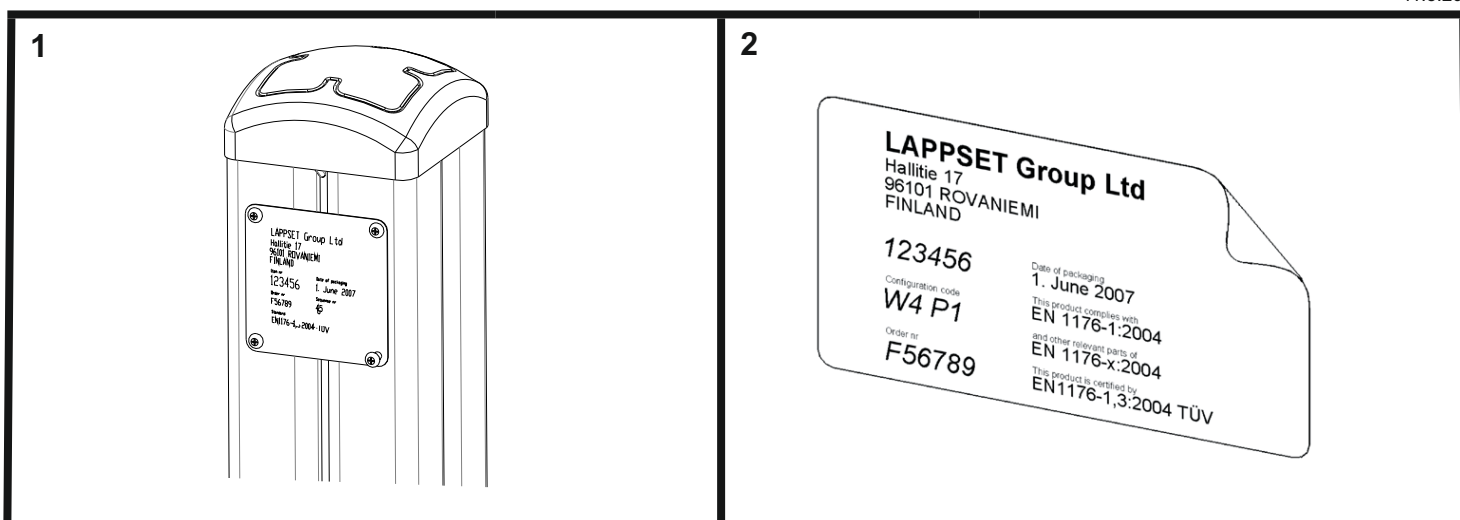
# 703638

DATE: 18.8.2011



|   |     |   |     |
|---|-----|---|-----|
| ① 904146  | PCS | ② 909519  | PCS |
|  | 1   |  | 1   |
| ③ 909637  | PCS | ④ 909638  | PCS |
|  | 4   |  | 4   |
| M10   |     | Ø20/10.5  |     |
| ⑤ 909639  | PCS |   | PCS |
|  | 4   |   |     |
| M10x25  |     |   |     |
|   | PCS |   | PCS |
|   |     |   |     |
|   | PCS |   | PCS |
|   |     |   |     |
|   | PCS |   | PCS |
|   |     |   |     |





### Tuotekyltti tulee tuotteen mukana yhdellä seuraavista tavoista:

#### 1) Metallinen tuotekyltti ja kiinnitysruuvit

- Kiinnitä tuotekyltti ruuveilla tolppaan noin 2 metrin korkeuteen kuvan 2 mukaisesti.

#### 2) Tuotekylttitarra

- Puhdista maalattu metalli- tai vaneripinta pölystä ja kosteudesta. Liimaa tarra kuvan 3 mukaisesti.
- Huom. Älä kiinnitä tarraa karheapintaiseen laminaattiin tai maalattuun puuhun.

### Vår produktmärkning levereras på ett av följande sätt:

#### 1) Produktskylt i metall

- Fäst skylten med de medföljande skruvarna

#### 2) Självhäftande produktetikett

- Rengör den pulverlackerad metallytan eller laminatytans åttanblirfrifrånsmutsochfukt. Fäst etiketten enligt fig. 3.
- Obs! Fäst ej etiketten på detaljer med skrovlig yta eller på målat trä.

### Product label is delivered by one of following ways:

#### 1) Metal product label and screws

- Fasten the label with screws.

#### 2) Label sticker

- Clean the painted metal or plywood surface from dirt and moisture. Fasten the sticker as shown in the figure 3.
- Note. Do not attach the sticker to rough surfaced laminate or painted wood.

### La plaque d'informations produit est livrée sous l'une de ces 3 formes :

#### 1) Plaque métallique et vis

- Fixez la plaque à l'aide des vis.

#### 2) Etiquette autocollante

- Avant de coller l'étiquette, nettoyez le composant métallique peint ou la plaque de contreplaqué, de toute saleté. La surface doit être sèche (voir image 3).
- Attention, ne pas coller l'étiquette sur une surface lamellé-collée irrégulière ou sur du bois peint.

### Die Auslieferung des Produktaufklebers erfolgt auf eine dieser Arten:

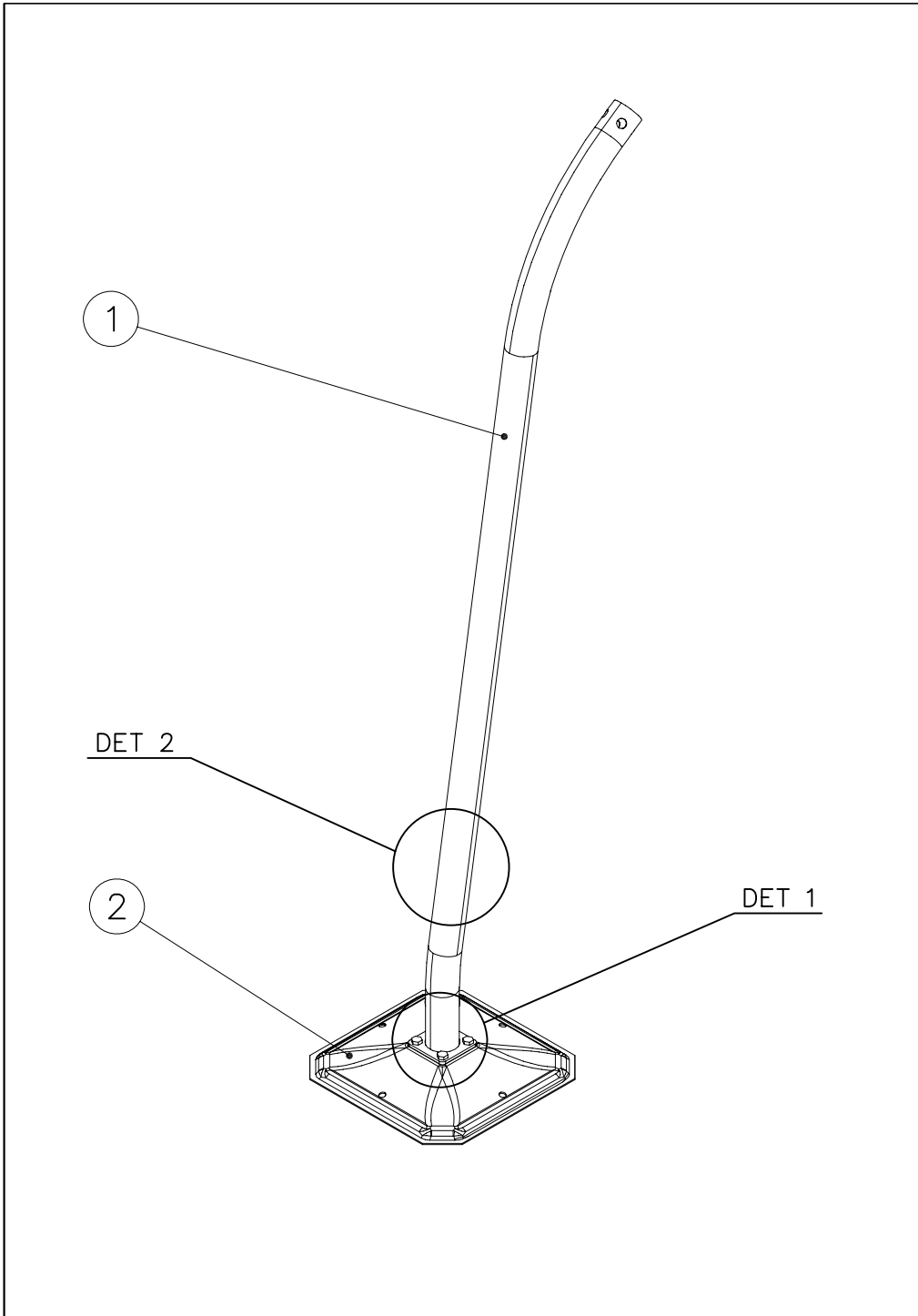
#### 1) Produkt-Schild aus Metall incl. Schrauben


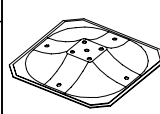
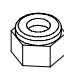
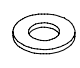
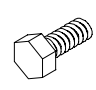
- Die Befestigung des Schildes erfolgt mittels der Schrauben.

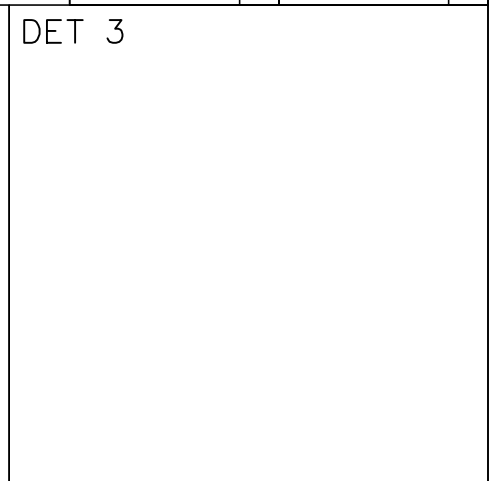
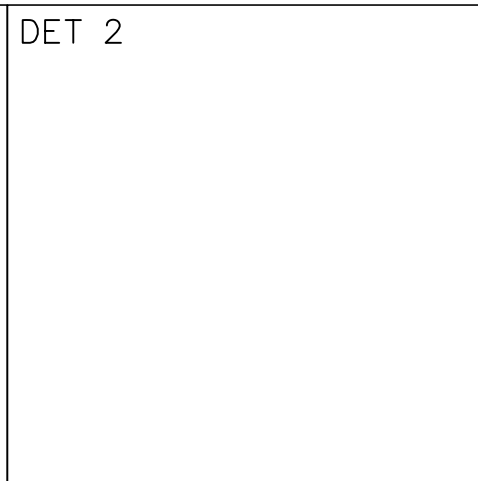
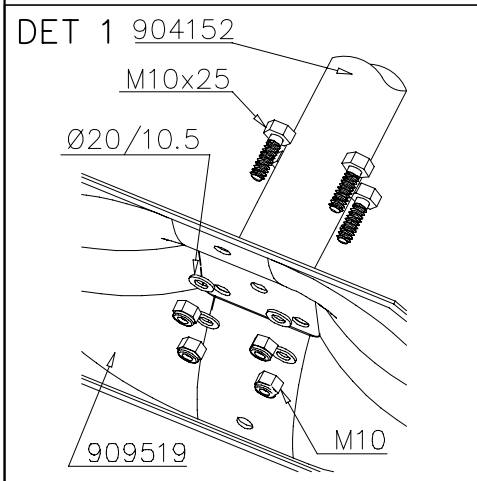
#### 2) Aufkleber

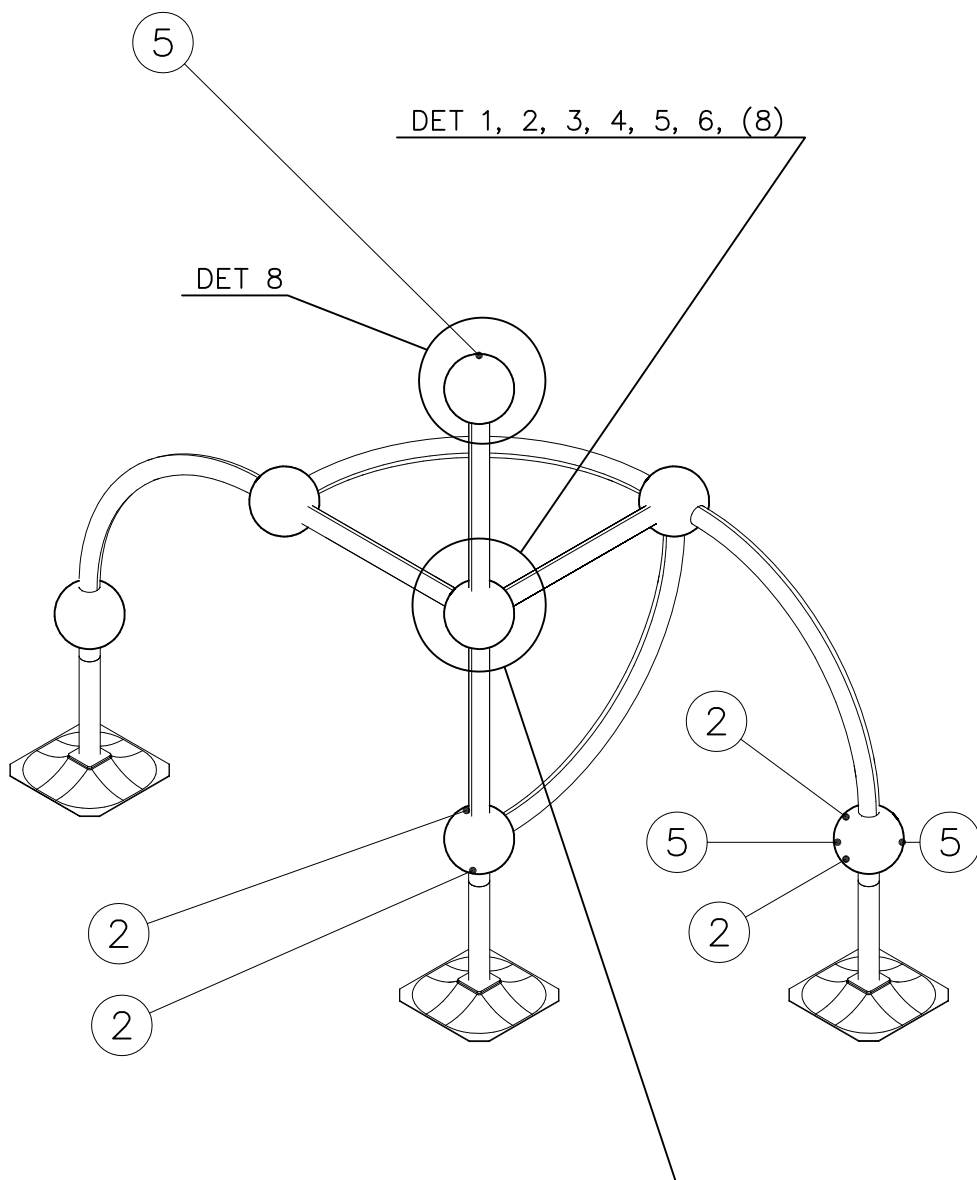
- Entfernen Sie zunächst Schmutz und Feuchtigkeit vom lackierten Metall bzw. von der Holzoberfläche und bringen Sie den Aufkleber wie im Bild oben rechts beschrieben auf den gesäuberten Untergrund auf.
- Beachten Sie: Bringen Sie den Aufkleber nicht auf raues laminiertes oder lackiertes Holz an.



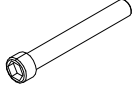
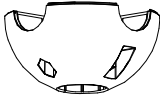
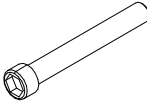



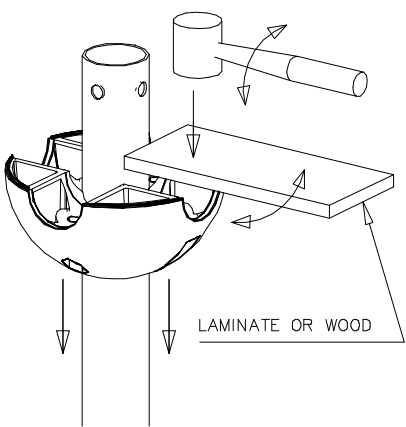
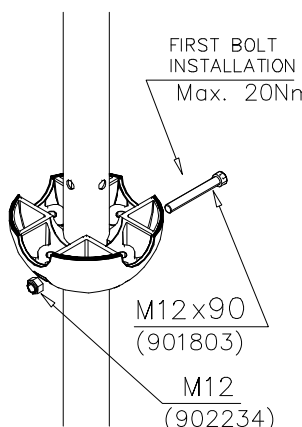
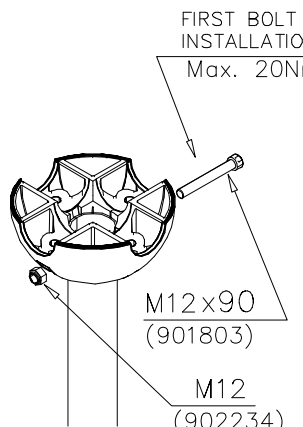
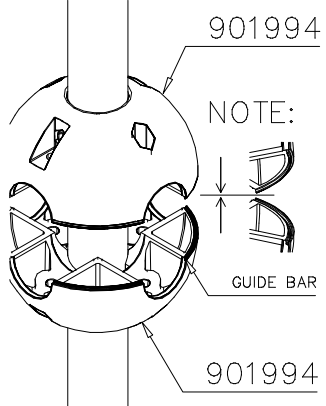
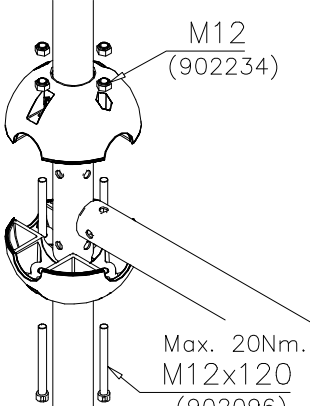
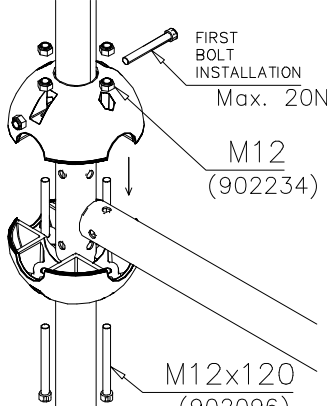
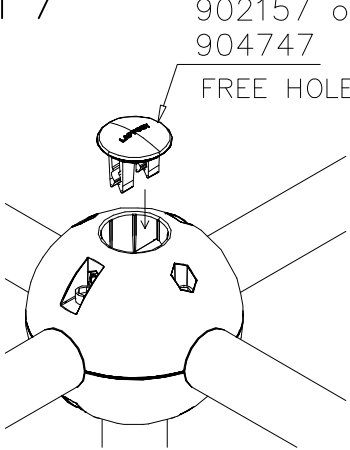

|   |     |   |     |
|---|-----|---|-----|
| ① 904152  | PCS | ② 909519  | PCS |
|  | 1   |  | 1   |
| ③ 909637  | PCS | ④ 909638  | PCS |
|  | 4   |  | 4   |
| M10   |     | Ø20/10.5  |     |
| ⑤ 909639  | PCS |   | PCS |
|  | 4   |   |     |
| M10x25  |     |   |     |
|   | PCS |   | PCS |
|   |     |   |     |
|   | PCS |   | PCS |
|   |     |   |     |
|   | PCS |   | PCS |
|   |     |   |     |



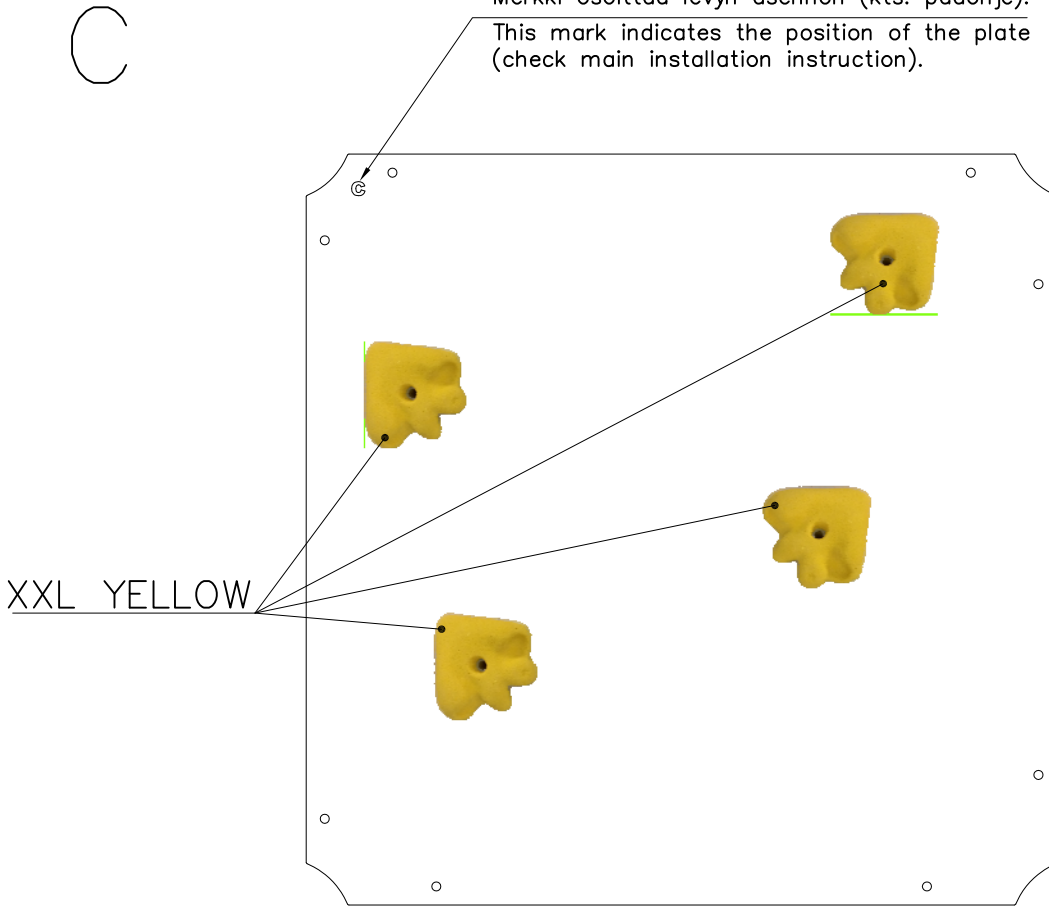


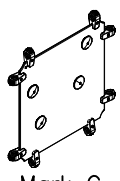
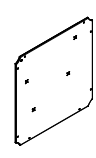
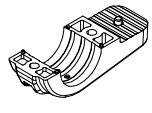
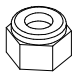
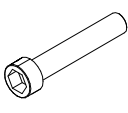
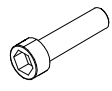
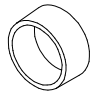
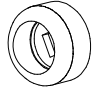
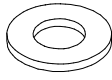
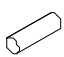
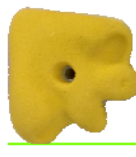
DO NOT TIGHTEN THE JOINTS UNTIL THE STRUCTURE IS COMPLETE.

|   |     |   |     |
|---|-----|---|-----|
| ① 901803  | PCS | ② 901994  | PCS |
|  | 2   |  | 2   |
| M12x90  |     | Ø190  |     |
| ③ 902096  | PCS | ④ 902234  | PCS |
|  | 4   |  | 6   |
| M12x120   |     | M12   |     |
|   | PCS |   | PCS |
|   |     |   |     |
|   | PCS |   | PCS |
|   |     |   |     |
|   | PCS |   | PCS |
|   |     |   |     |
|   | PCS |   | PCS |
|   |     |   |     |
|   | PCS |   | PCS |
|   |     |   |     |

|   |   |   |
|---|---|---|
| <p>DET 1</p>  <p>LAMINATE OR WOOD</p>                                    | <p>DET 2</p>  <p>FIRST BOLT INSTALLATION<br/>Max. 20Nm.</p> <p>M12x90<br/>(901803)</p> <p>M12<br/>(902234)</p> | <p>DET 3</p>  <p>FIRST BOLT INSTALLATION<br/>Max. 20Nm.</p> <p>M12x90<br/>(901803)</p> <p>M12<br/>(902234)</p>   |
| <p>DET 4</p>  <p>901994</p> <p>NOTE:</p> <p>GUIDE BAR</p> <p>901994</p> | <p>DET 5</p>  <p>M12<br/>(902234)</p> <p>Max. 20Nm.</p> <p>M12x120<br/>(902096)</p>                           | <p>DET 6</p>  <p>FIRST BOLT INSTALLATION<br/>Max. 20Nm.</p> <p>M12<br/>(902234)</p> <p>M12x120<br/>(902096)</p> |
| <p>REMEMBER<br/>FINAL<br/>TIGHTENING</p>  | <p>DET 7</p>  <p>902157 or<br/>904747</p> <p>FREE HOLE</p>   | <p>DET 8</p>  <p>902157 or<br/>904747</p> <p>FREE HOLE</p>   |
|   |   |   |

Merkki osoittaa levyn asennon (kts. pääohje).  
This mark indicates the position of the plate (check main installation instruction).



|  |   |  |  |  |   |  |
|--|---|--|--|--|---|--|
| <br>Mark C | <br>D. GREY  | <br>150x50x50 | <br>M10         | <br>M10x55 | <br>M10x30 | <br>Ø30 |
| <br>Ø45   | <br>Ø20/10.5 | <br>Ø6x20     | <br>XXL YELLOW |  |   |  |

# WINAM GROUP

## GRIP INSTALLATION

# CLOXX

DATE: 3.11.2016



### HUOM!

Otepalan asennus, säätö tai paikan vaihto.  
Säätömahdollisuus (90°,180°,270°).

Jos asennetun otepalan suuntaa- tai paikkaa halutaan muuttaa. Irrota otepalan kiinnityspultti ja otepala, käännä tai vaihda. Siirrä tarvittaessa tappi oikeaan upotusreikään. Asenna avatut osat paikoilleen ja lopuksi kiinnitä muovitulppa Ø30 paikoilleen kaikkiin otekokoonpanoihin.

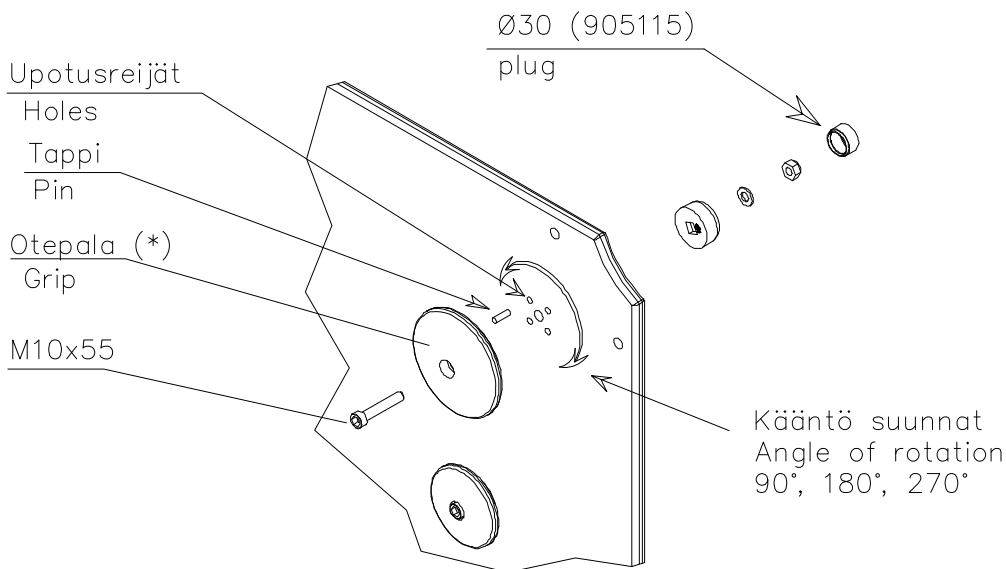
### NOTE:

Grip positions and angles are adjustable (90°,180°270°).

Grip can be repositioned by removing the fastening bolt and pulling the grip off.

Securing pin can be repositioned when angle is changed.

After the parts are reassembled. Finish the assembly by fastening the cover plugs (Ø30).

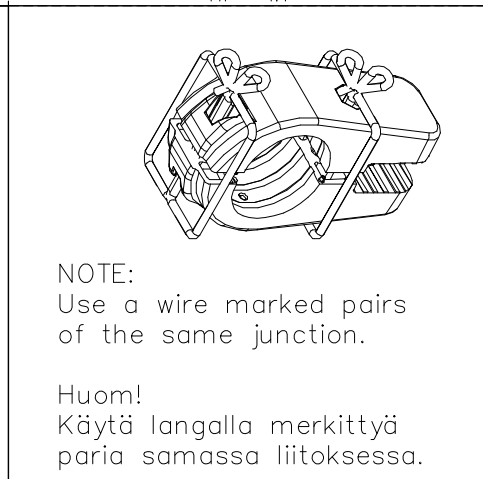
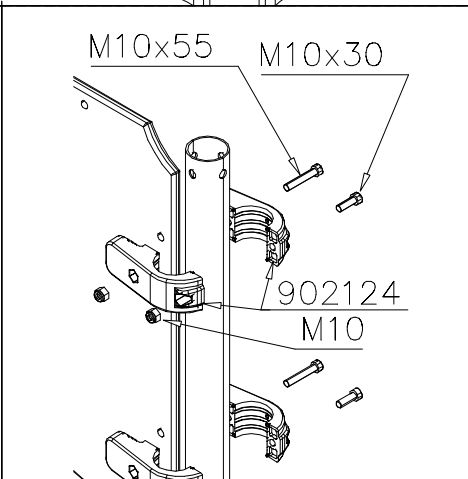
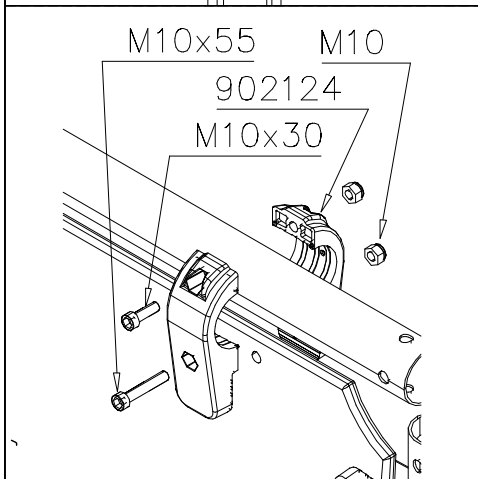
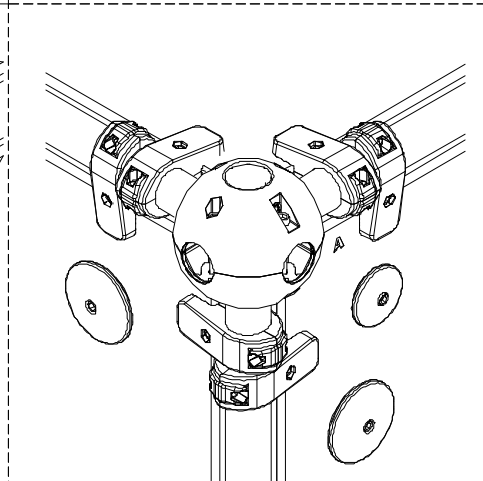
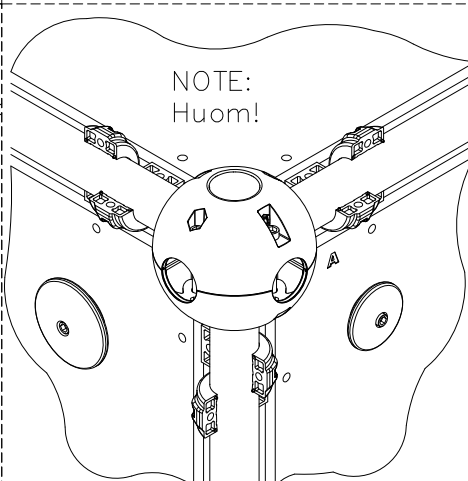
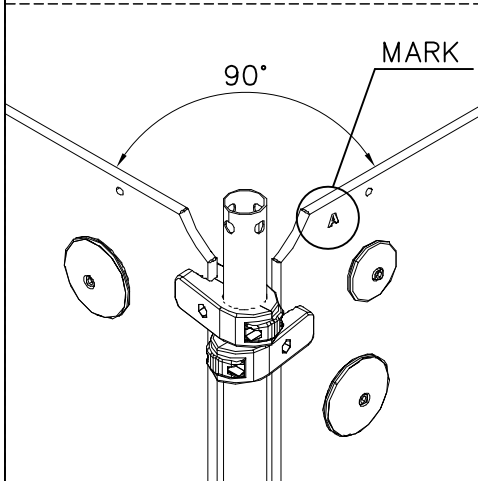
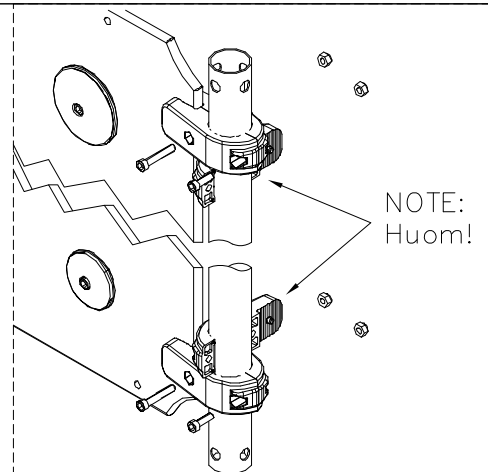


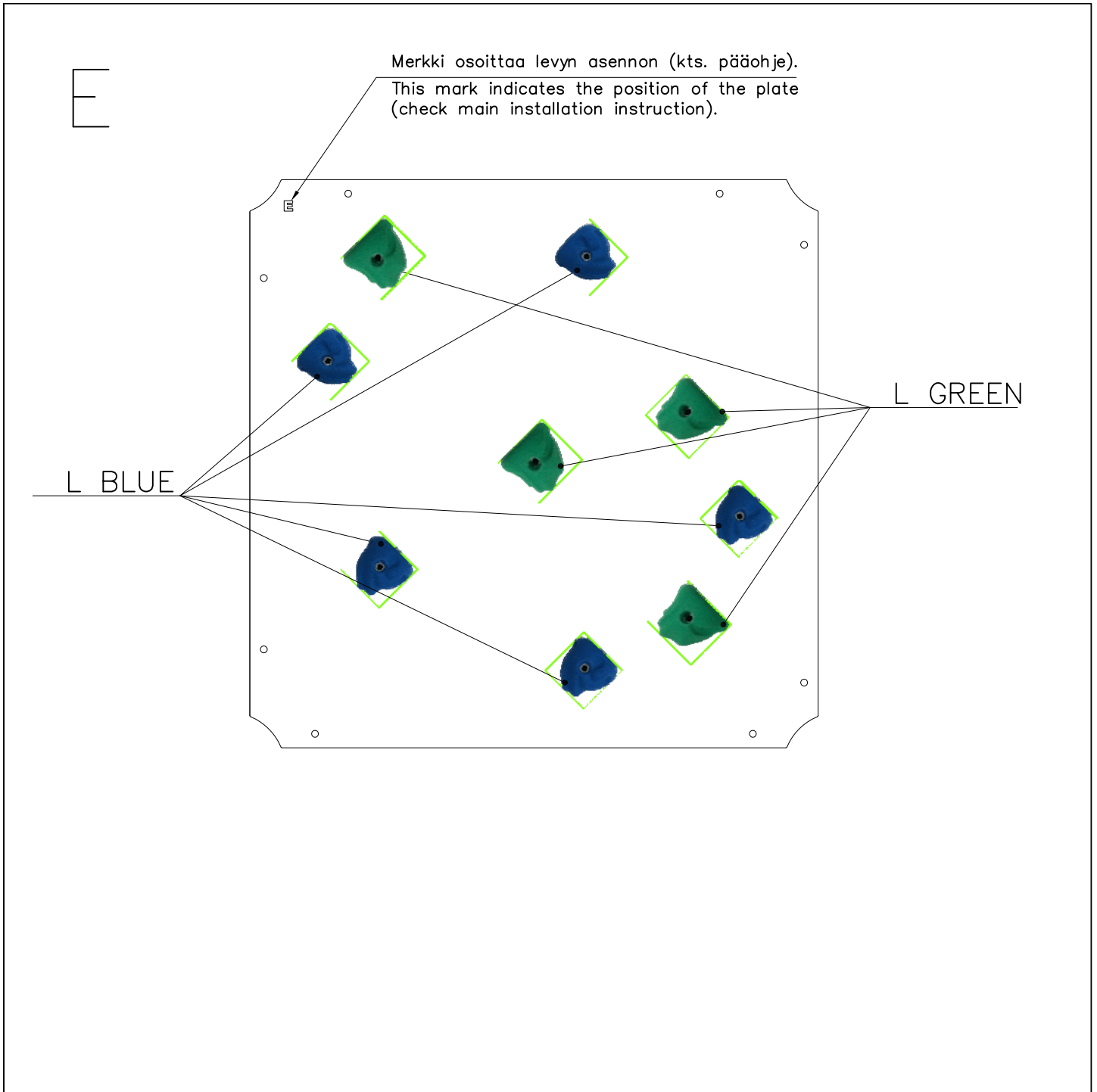
**NOTE:**

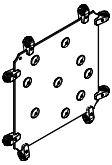

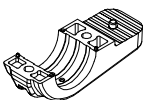

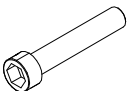
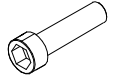
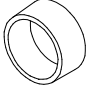
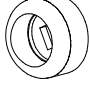
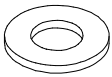



When two or more plates are assembled directly next to each other, the connectors of ALL the adjacent plates need to be placed between the first plate and the tube while fixing the first wall plate. The connectors cannot be fitted through the gap between tube and completely fixed wall plate.

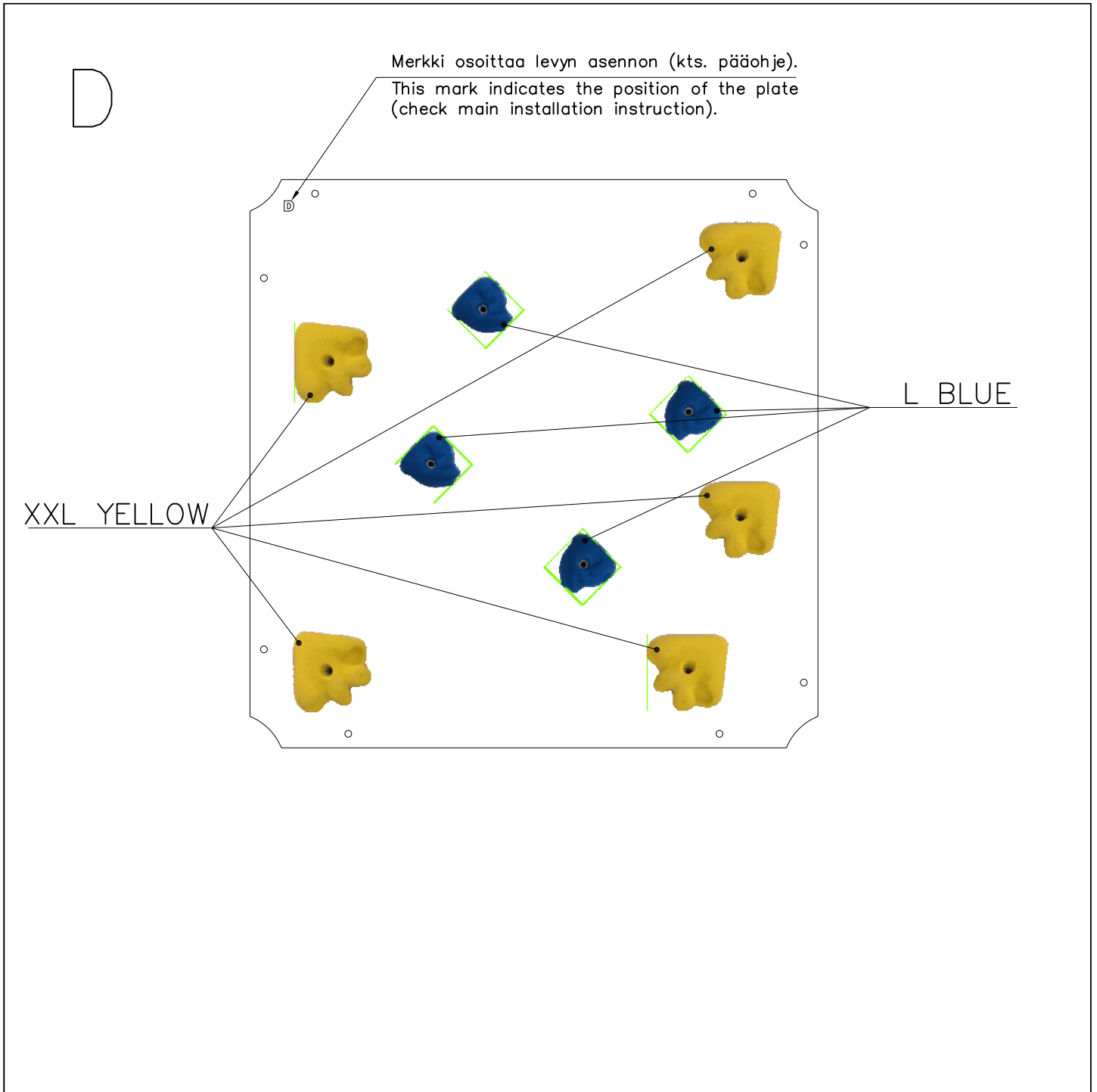
**Huom:**

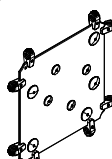
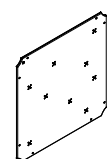
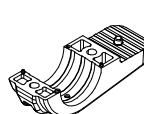
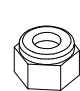
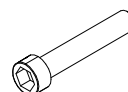
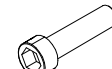

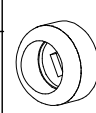
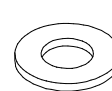



Kun yksi tai useampi levy asennetaan vierekkäin, tulee kaikkien vierekkäisten levyjen kiinnikkeet asettaa valmiiksi putken ja ensimmäisen levyn väliin. Kiinnityskappaleita ei voi pujottaa putken ja kiinnitetyn levyn välistä jälkeenpäin.





|   |  |  |   |  |  |   |
|---|--|--|---|--|--|---|
| <br>703844<br>Mark E | <br>PCS 703825<br>1<br>YELLOW | <br>PCS 902124<br>16<br>150x50x50 | <br>PCS 980161<br>25<br>M10  | <br>PCS 902232<br>17<br>M10x55   | <br>PCS 902233<br>8<br>M10x30   | <br>PCS 905115<br>9<br>Ø30 |
|   | <br>PCS 905090<br>9<br>Ø45    | <br>PCS 901302<br>9<br>Ø20/10.5   | <br>PCS 904336<br>9<br>Ø6x20 | <br>PCS * 904297<br>4<br>L GREEN | <br>PCS * 904298<br>5<br>L BLUE |   |



|  |   |   |   |  |   |   |
|--|---|---|---|--|---|---|
| ○ 703843   | PCS ○ 703820  | PCS ○ 902124  | PCS ○ 980161  | PCS ○ 902232   | PCS ○ 902233  | PCS ○ 905115  |
|  |  |  |  |  |  |  |
| Mark D   | YELLOW  | 150x50x50   | M10   | M10x55   | M10x30  | Ø30   |
|  | PCS ○ 905090  | PCS ○ 901302  | PCS ○ 904336  | PCS * ○ 904298   | PCS * ○ 904302  |   |
|  |  |  |  |  |  |   |
|  | Ø45   | Ø20/10.5  | Ø6x20   | L BLUE   | XXL YELLOW  |   |