

WINAM GROUP

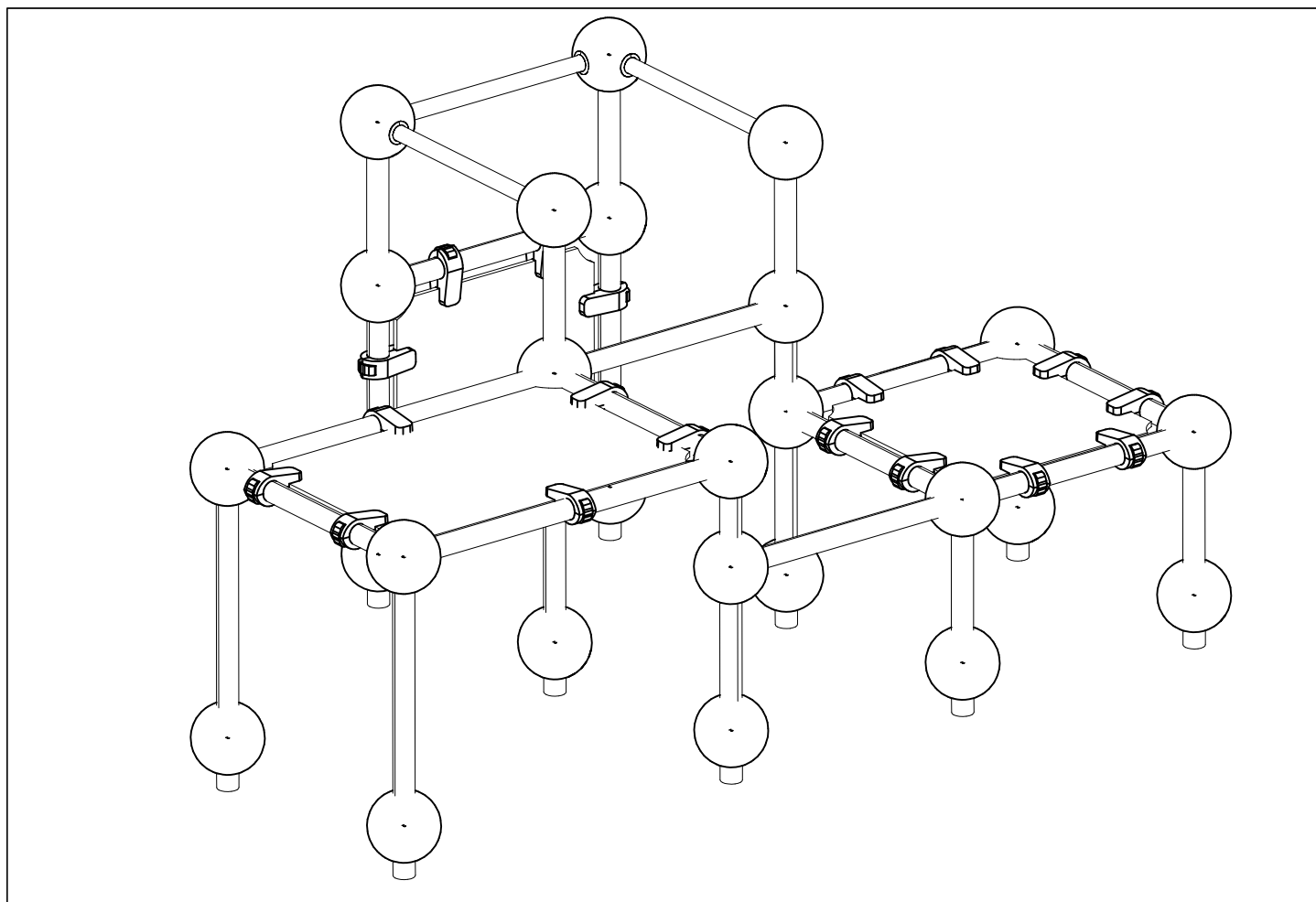
PARKOUR

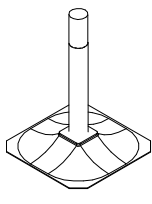

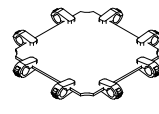

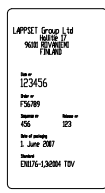

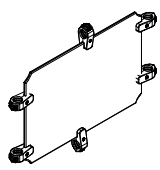


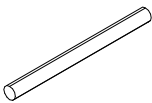
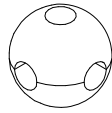

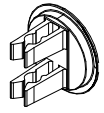
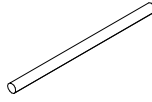
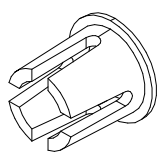

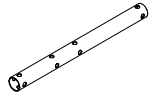
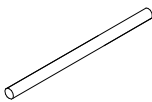


ASENNUSOHJE
MONTERINGSANSVISNING
INSTALLATION INSTRUCTION
AUFBAUANLEITUNG
NOTICE D'INSTALLATION

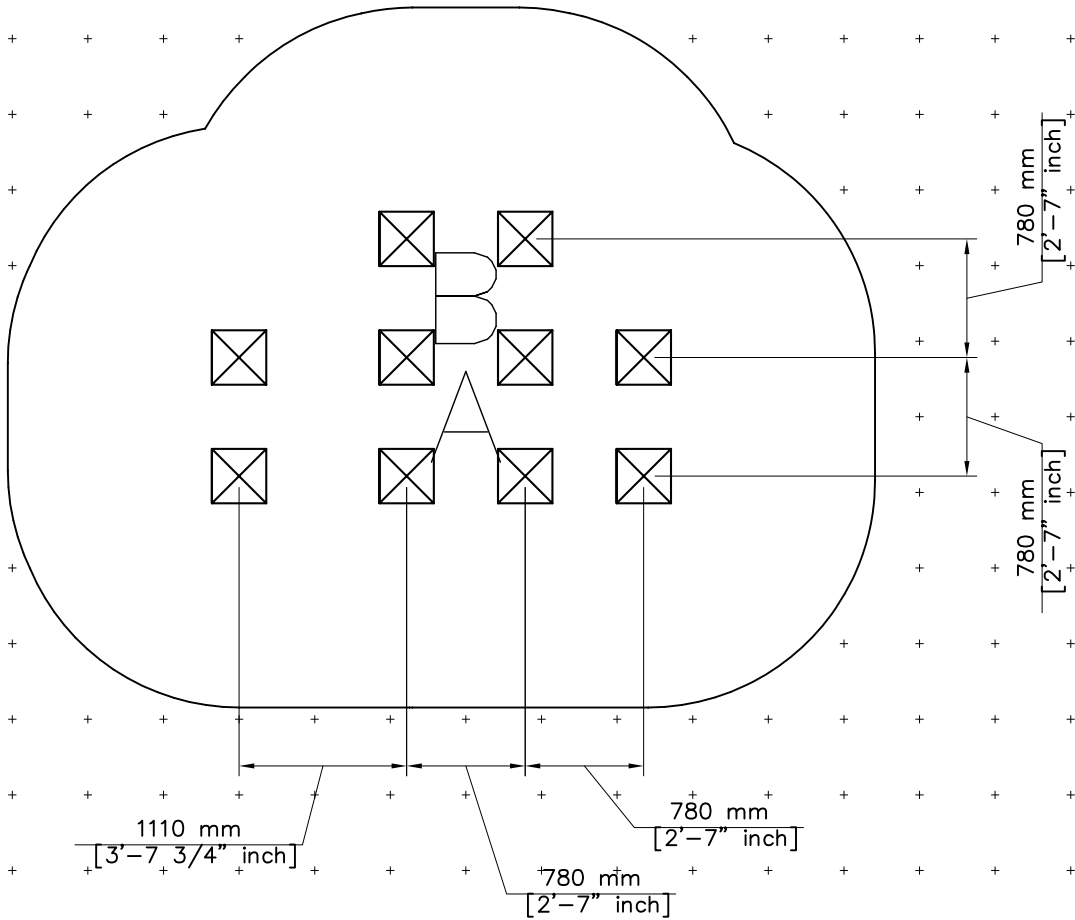
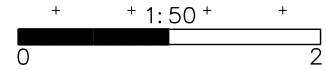
DATE: 23.2.2015

220517

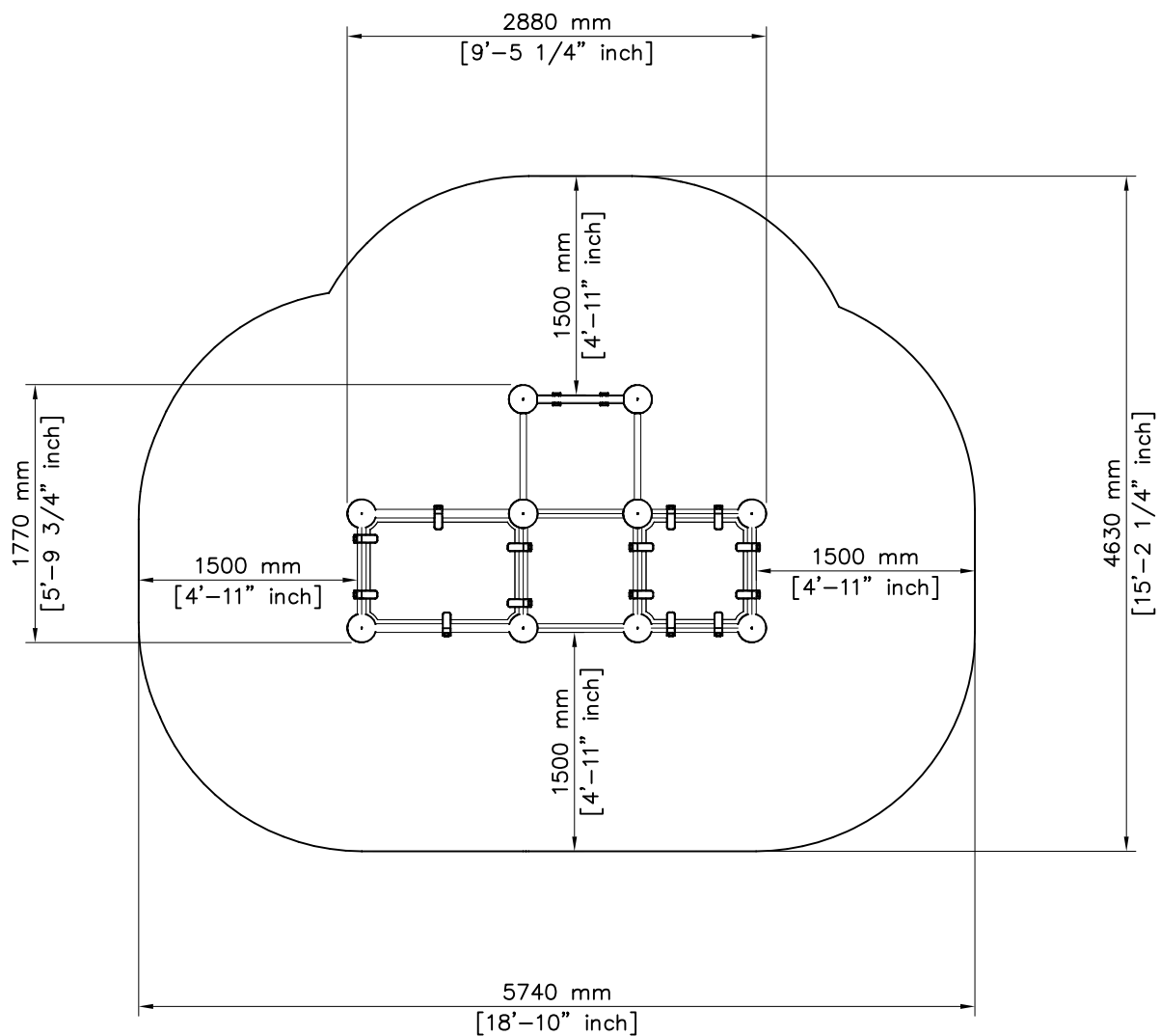
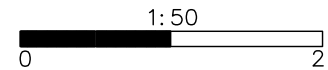


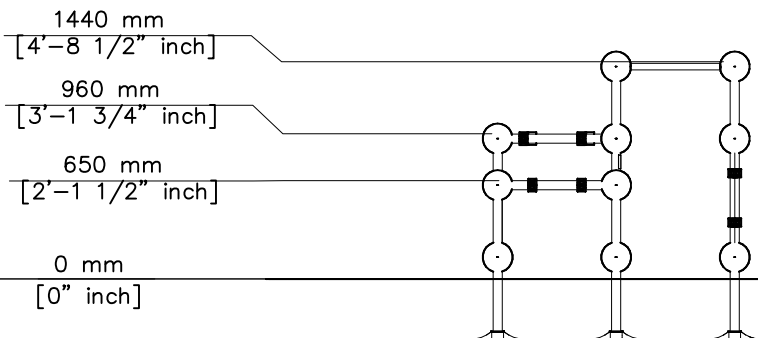
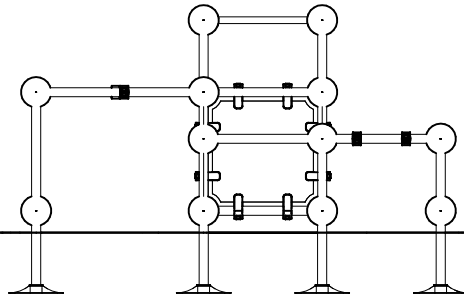
701985  10 	PCS 10	702056  2 	PCS 2	702341  1 	PCS 1	703486  1 	PCS 1	901991  1 L 1493	PCS 1	902022  13 L 710	PCS 13
902134  26 	PCS 26	904747  84 60x60x2	PCS 84	902424  2 L 1034	PCS 2	904100  6 44.5-60.3	PCS 6	904132  7 L 402	PCS 7	904135  2 L 710	PCS 2
904421  3 Ø44.5x716	PCS 3		PCS		PCS		PCS		PCS		PCS
	PCS		PCS		PCS		PCS		PCS		PCS
	PCS		PCS		PCS		PCS		PCS		PCS
	PCS		PCS		PCS		PCS		PCS		PCS
	PCS		PCS		PCS		PCS		PCS		PCS

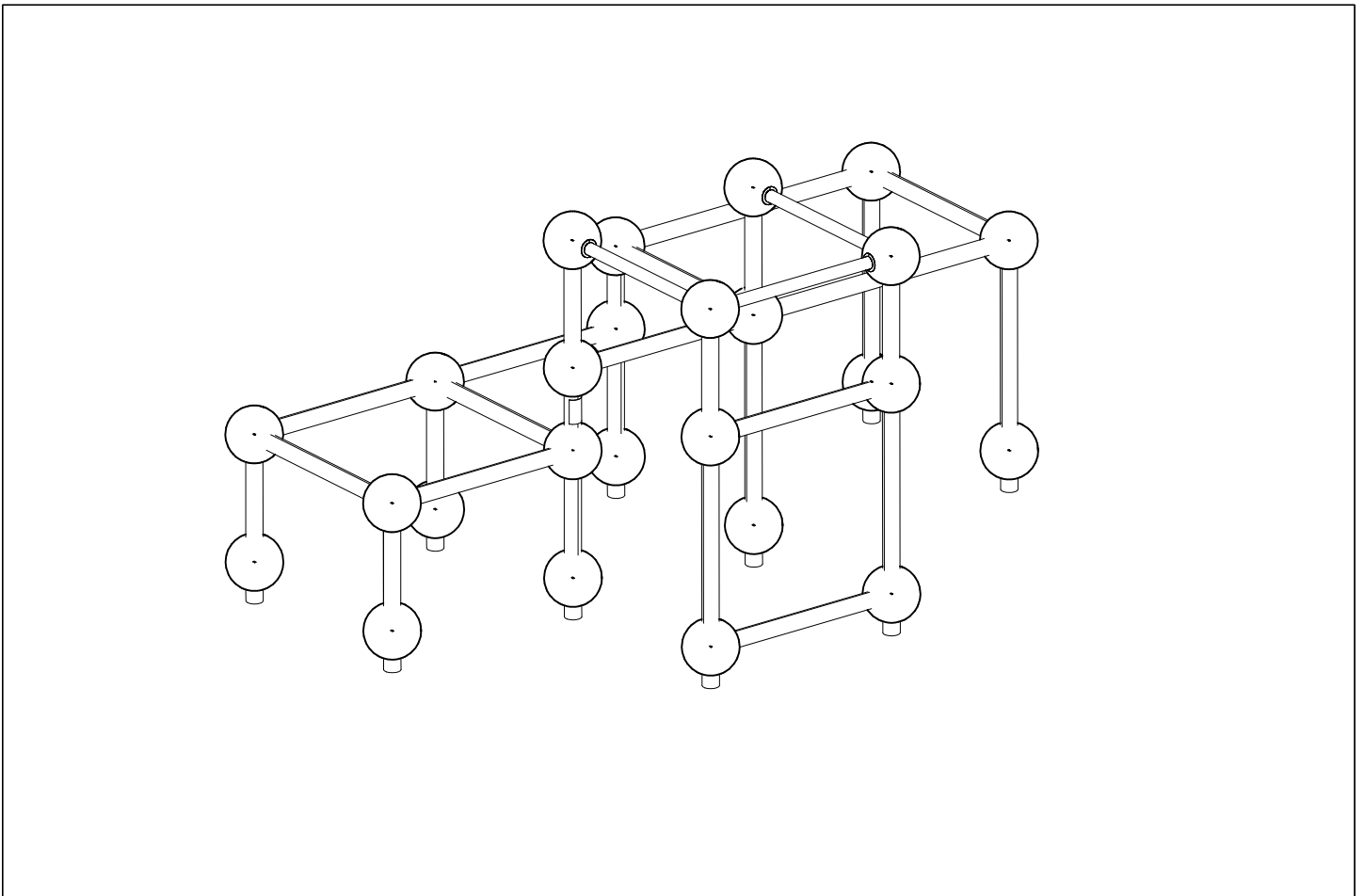
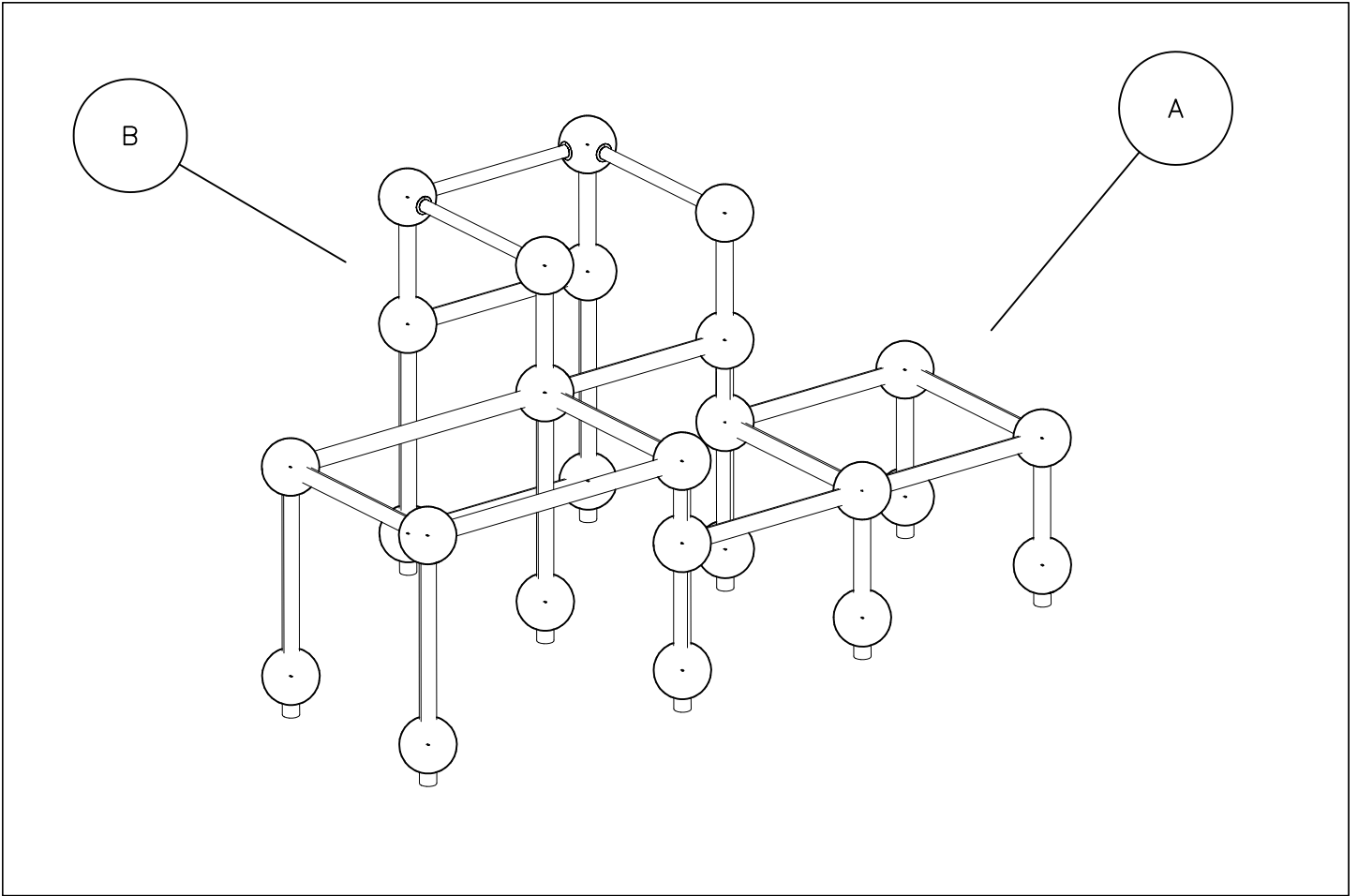
—+ EN/AS Impact Area 22.1 m²
Grid size = 500 mm
- - - Falling Space 22.1 m²

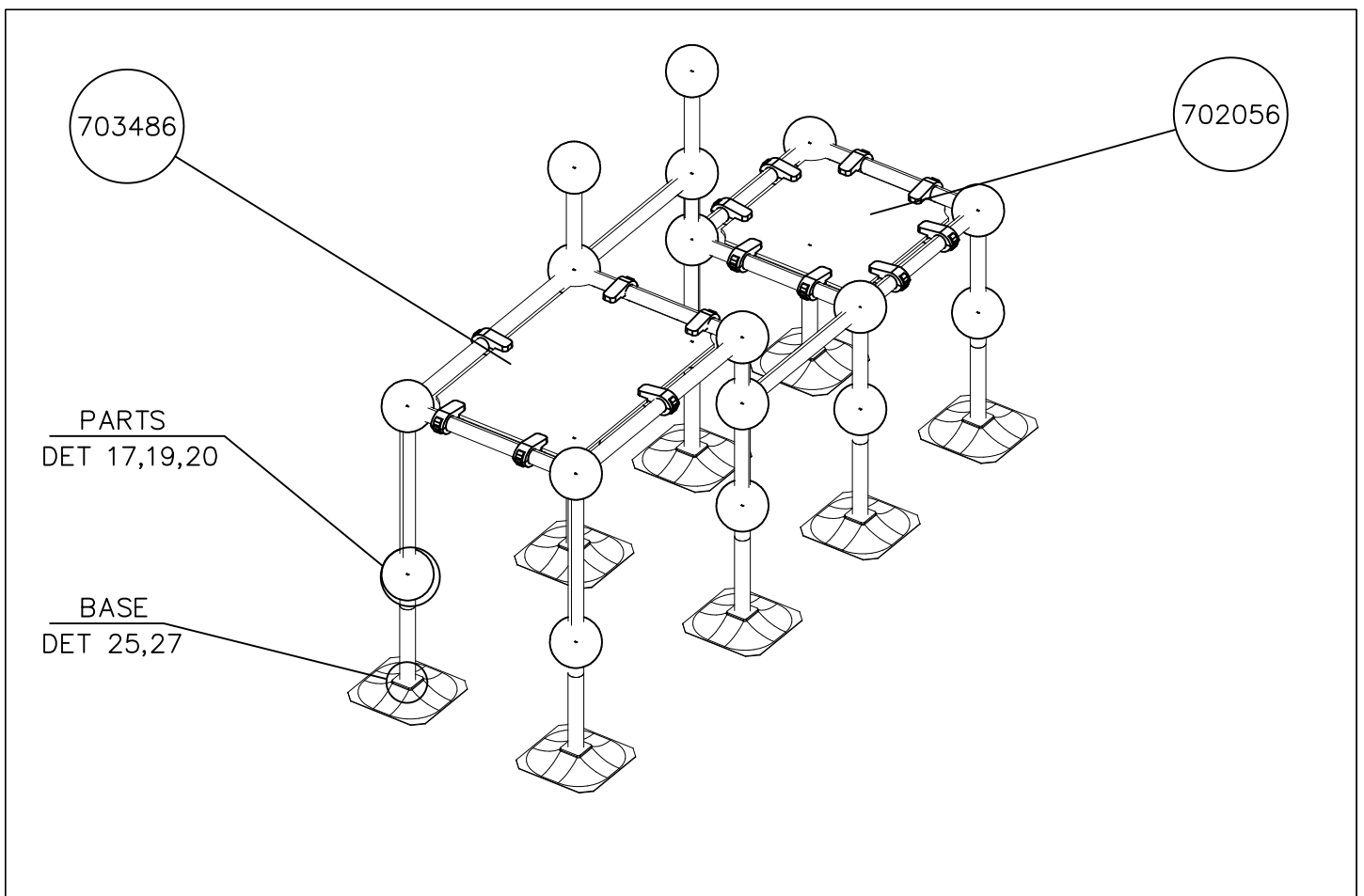
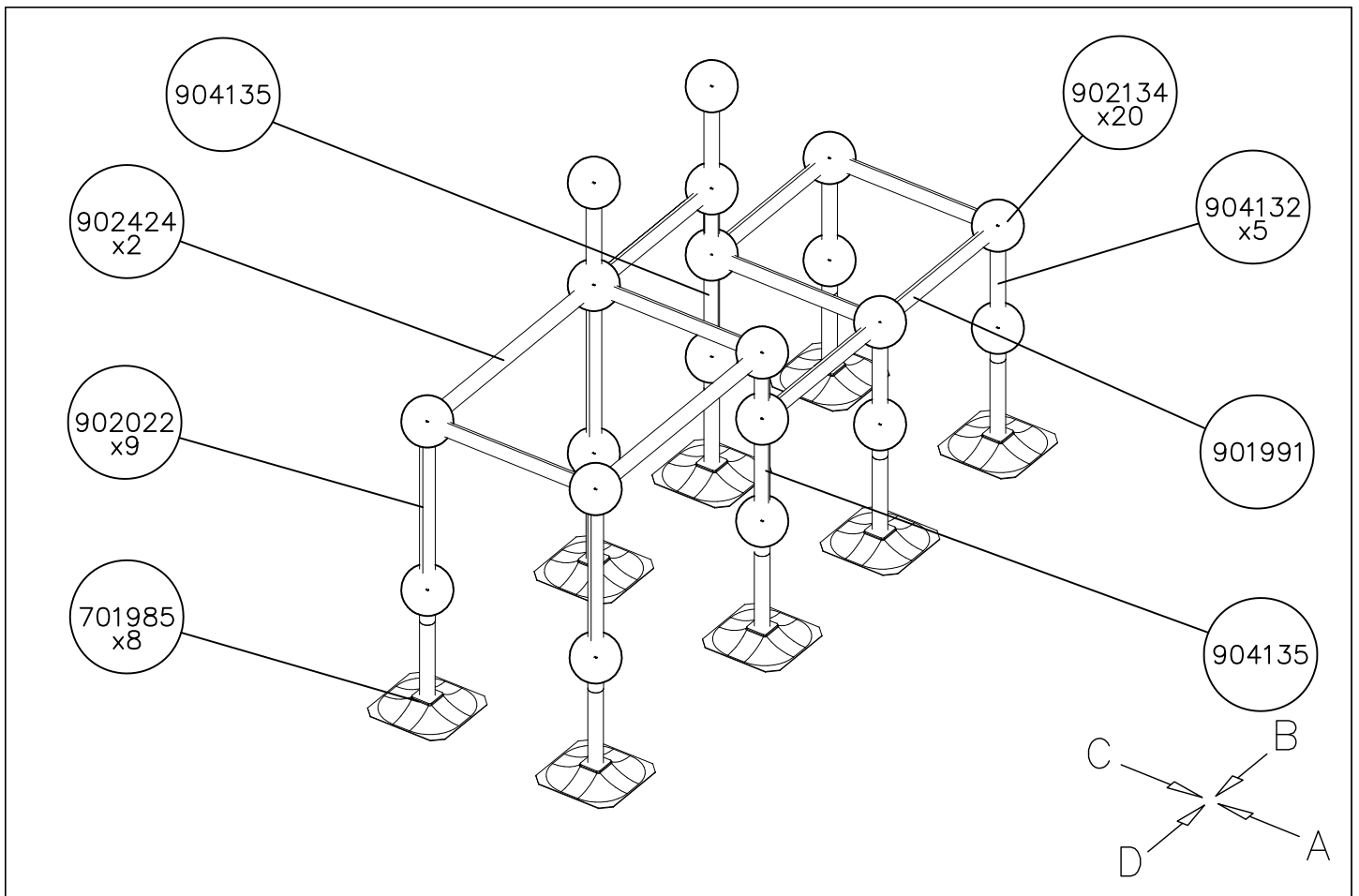


- EN/AS Impact Area 22.1 m²
- Falling Space 22.1 m²
- Max Falling Height 1440 mm







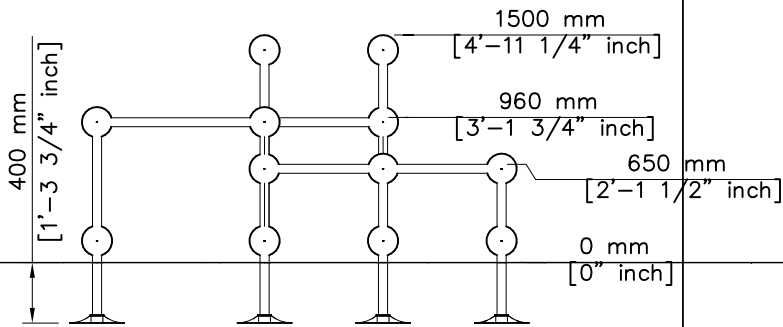


PARKOUR

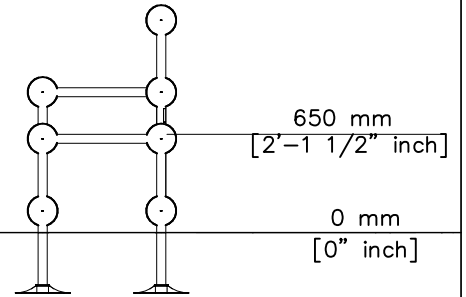
DATE: 23.2.2015

1:50

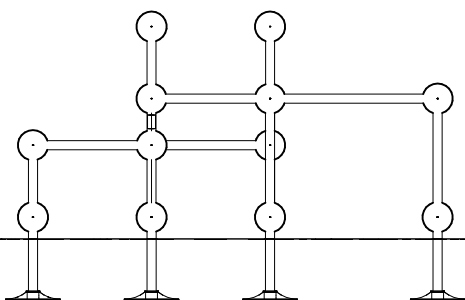
(A)



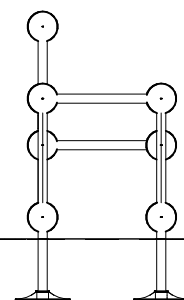
(B)

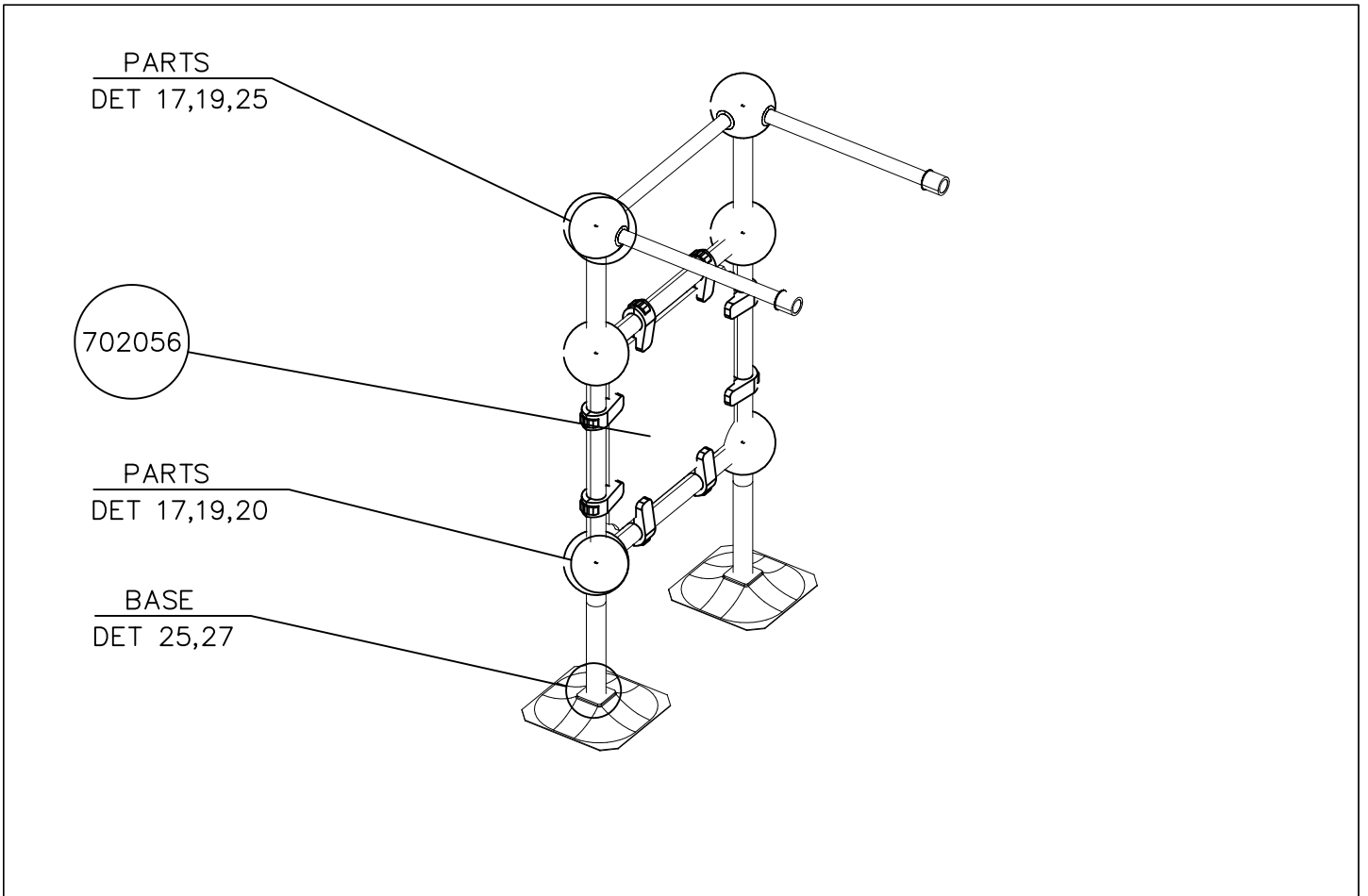
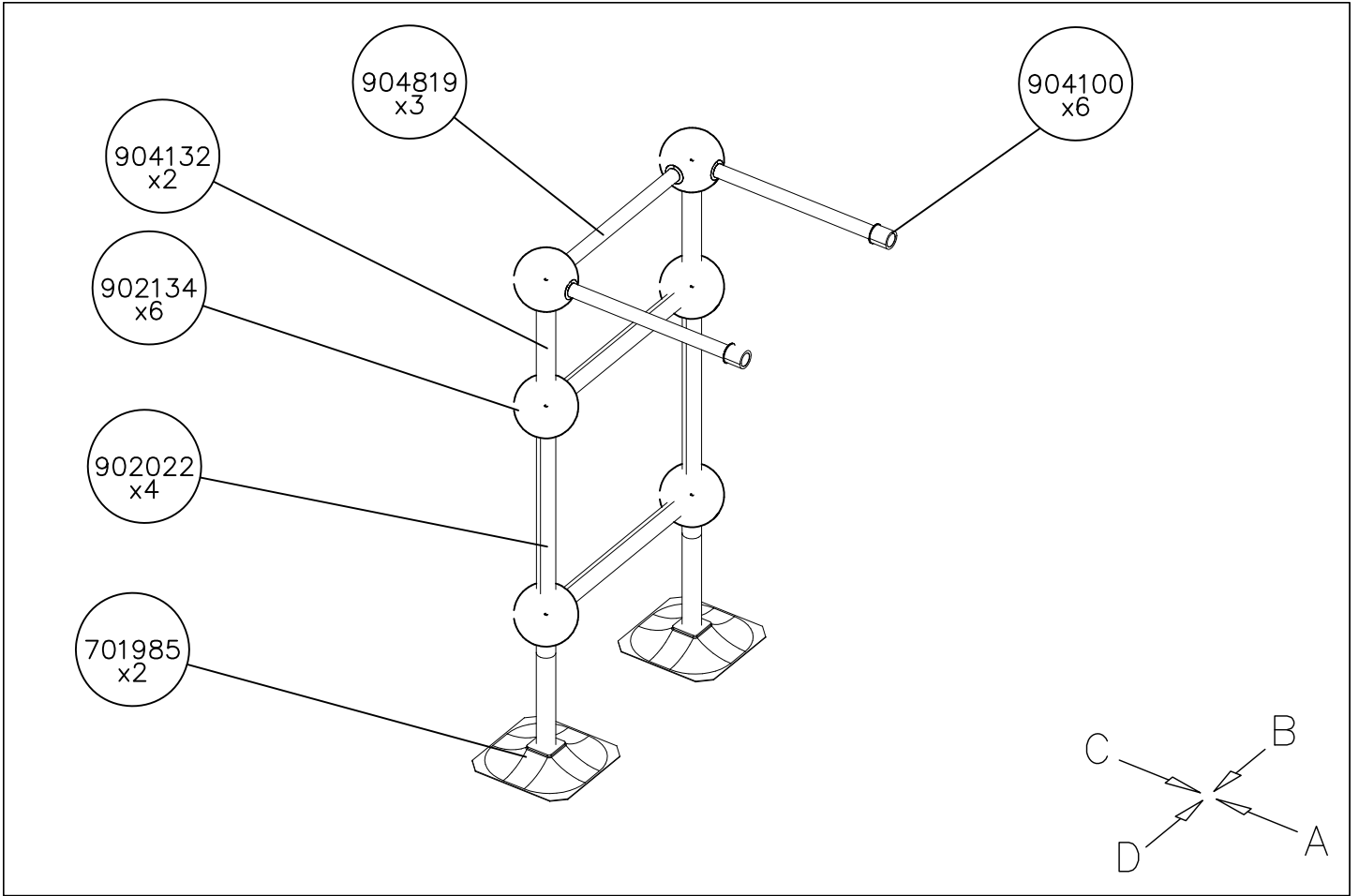


(C)



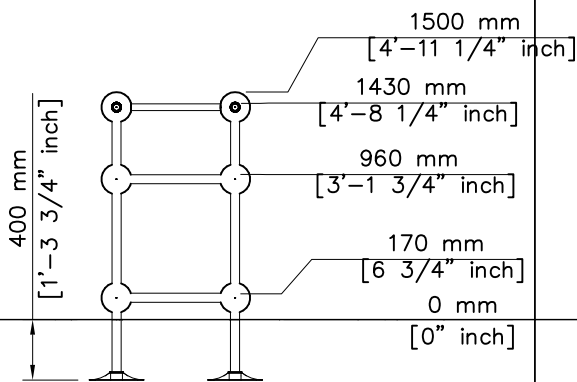
(D)



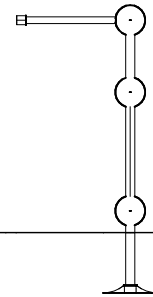


1:50

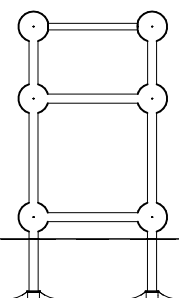
(A)



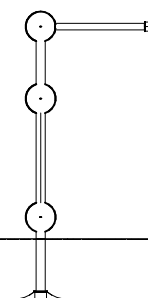
(B)

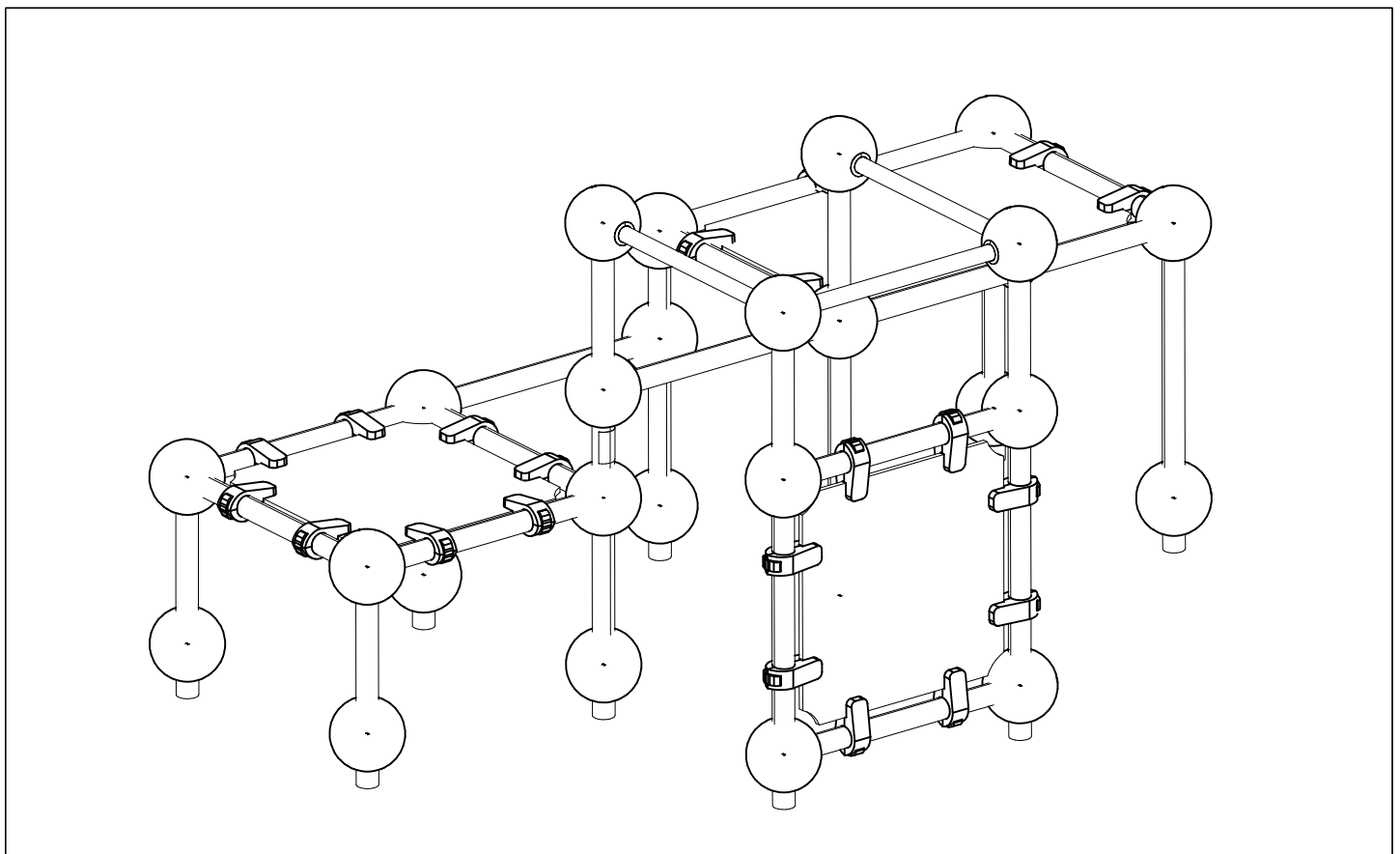
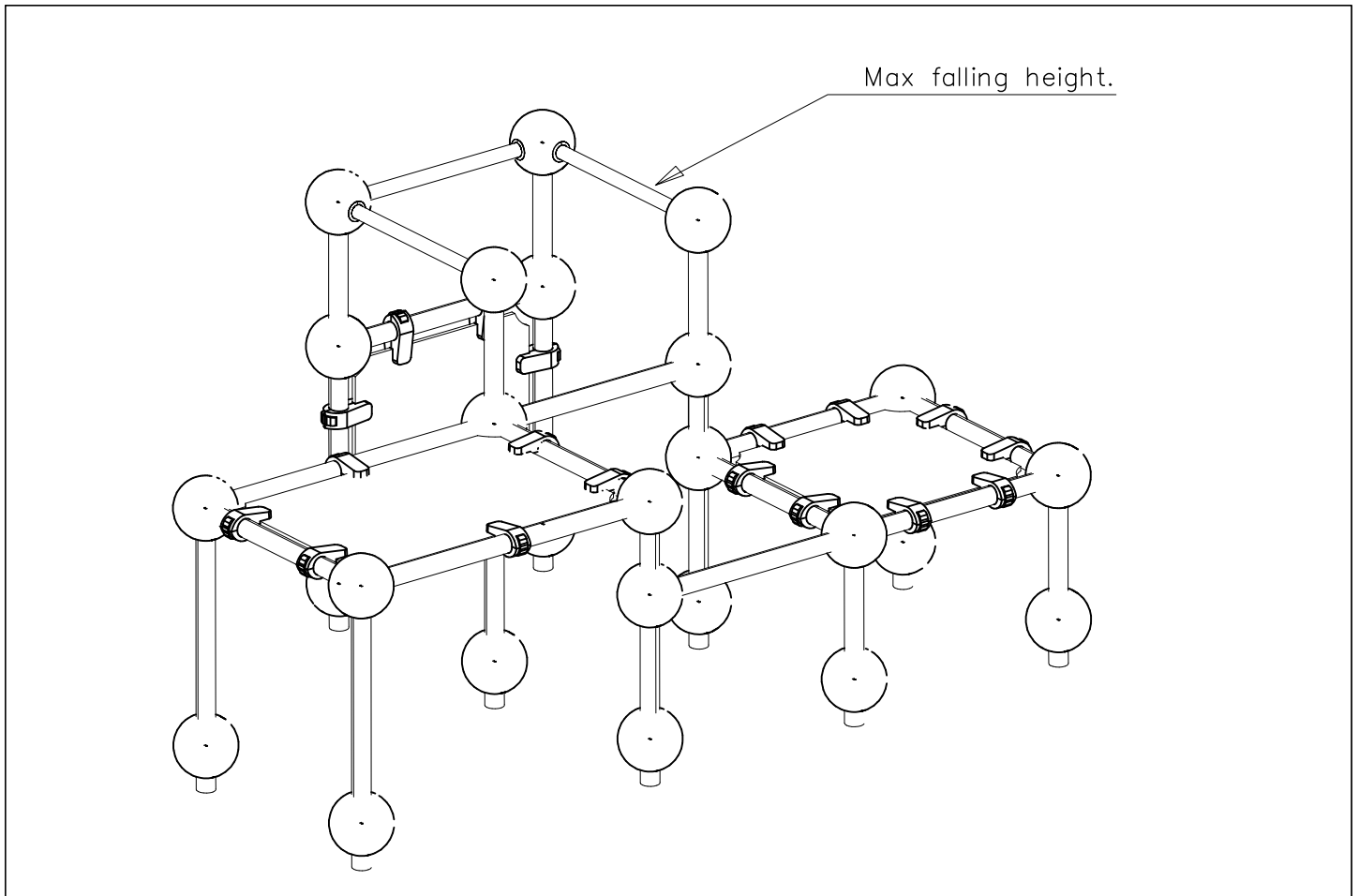


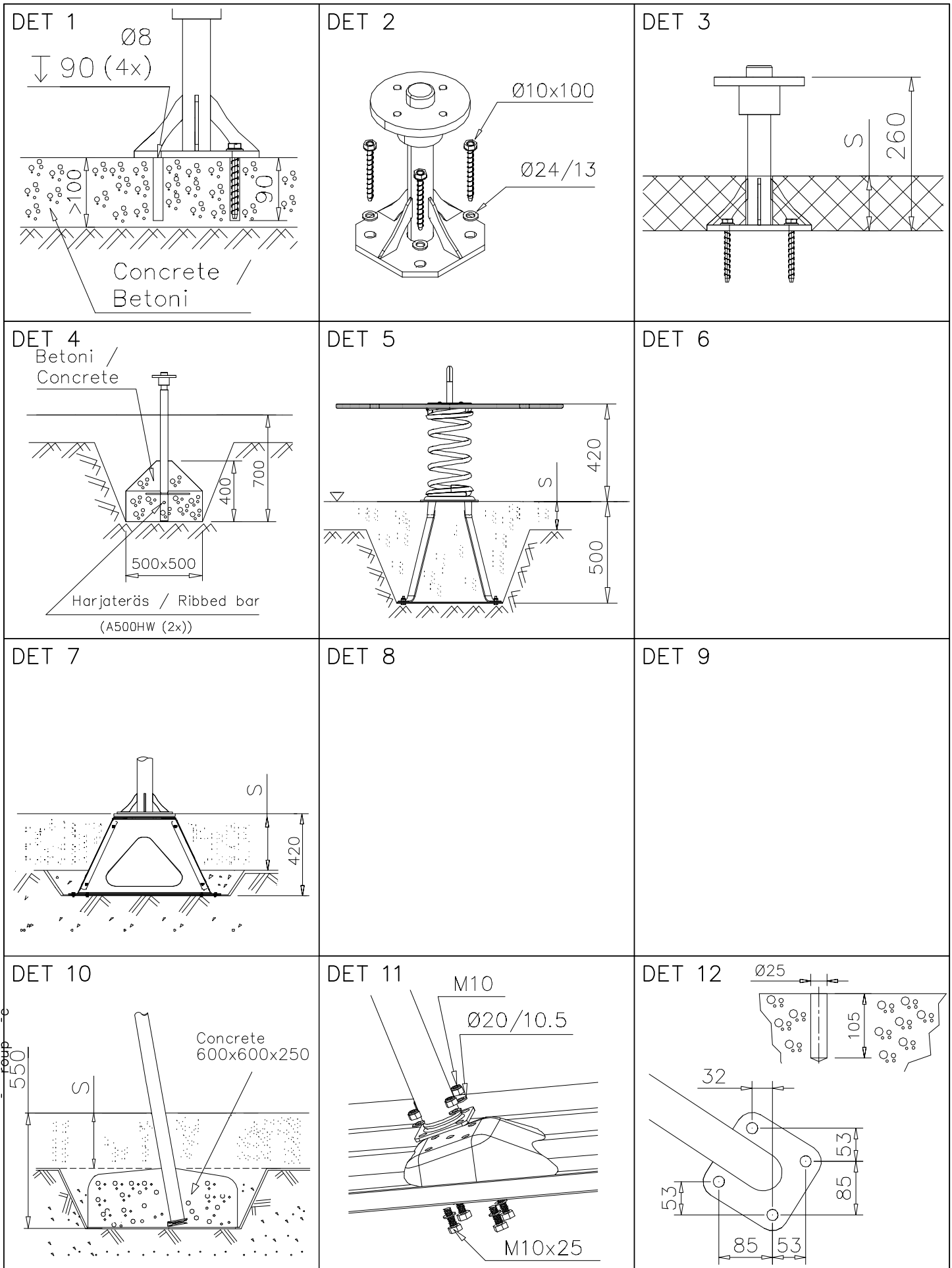
(C)

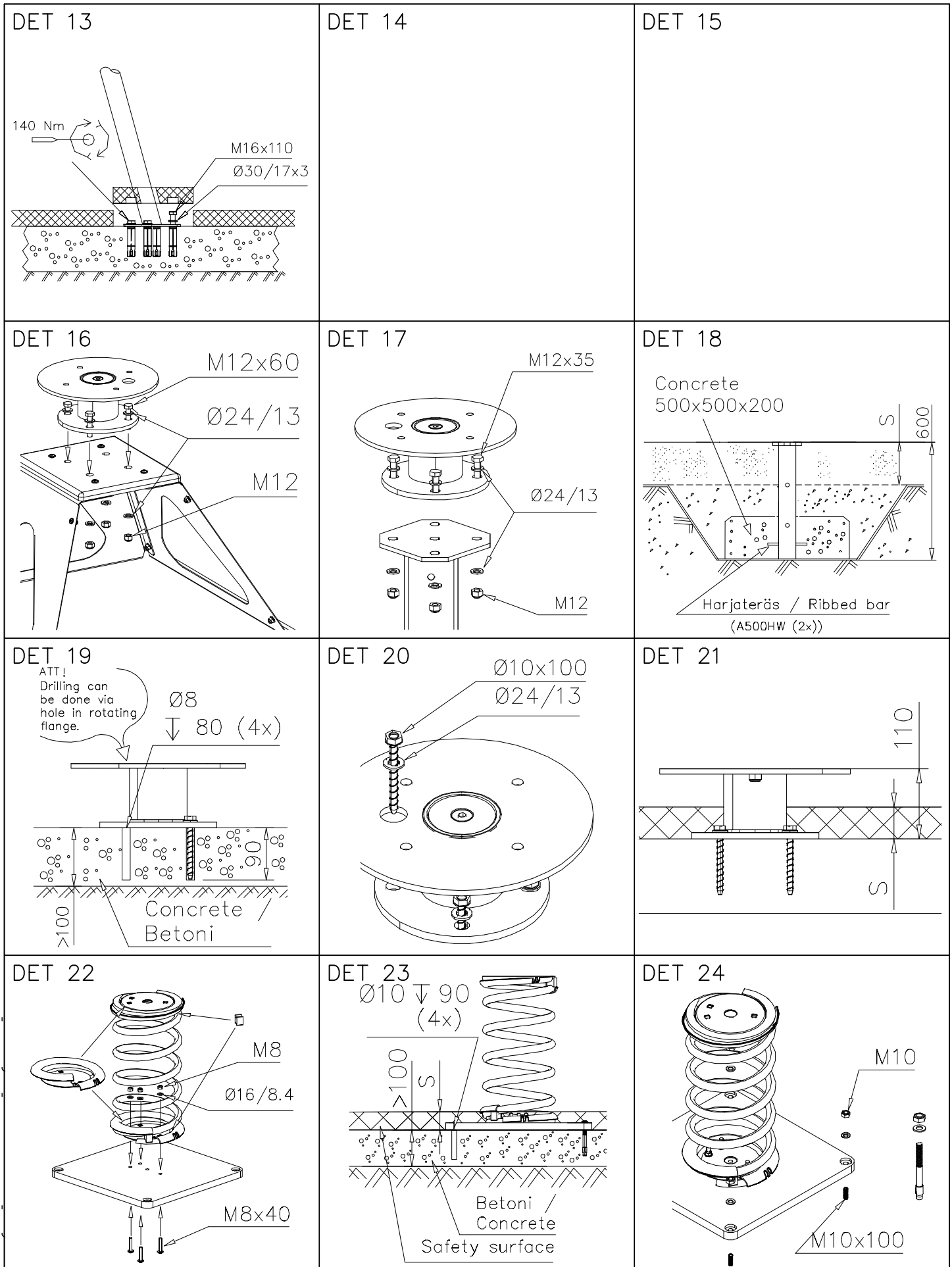


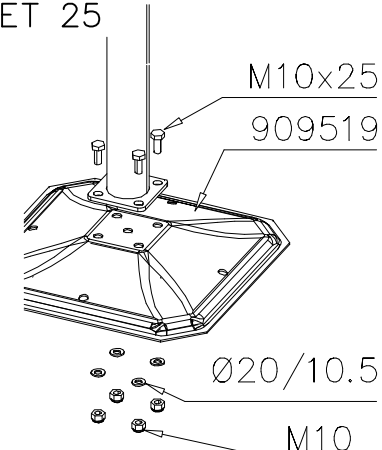
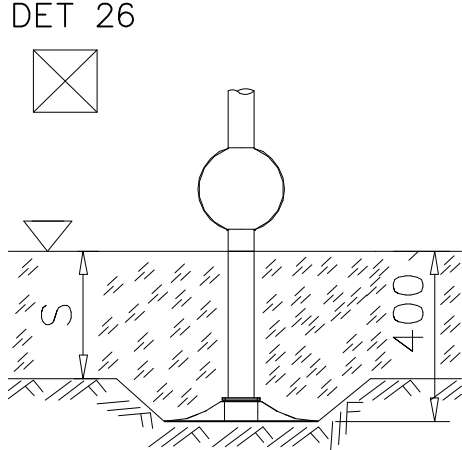
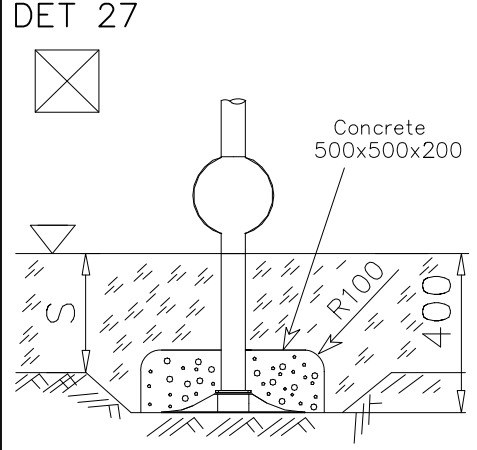
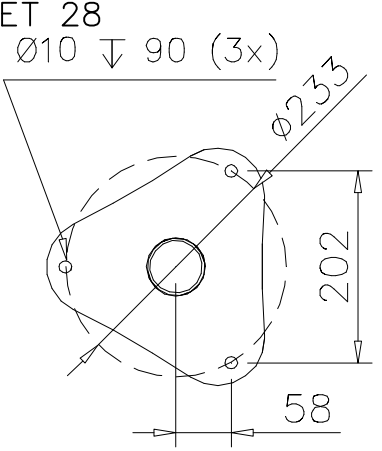
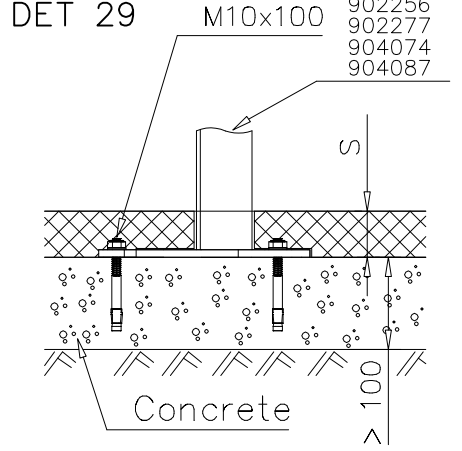
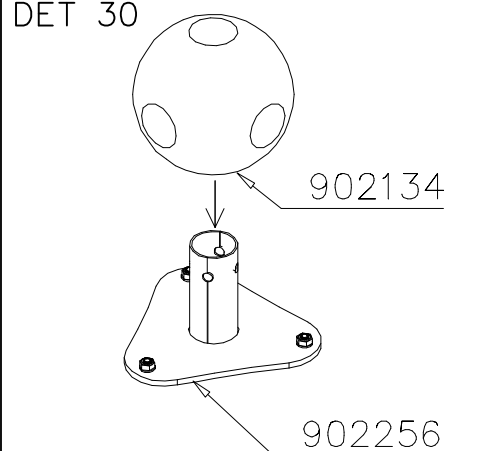
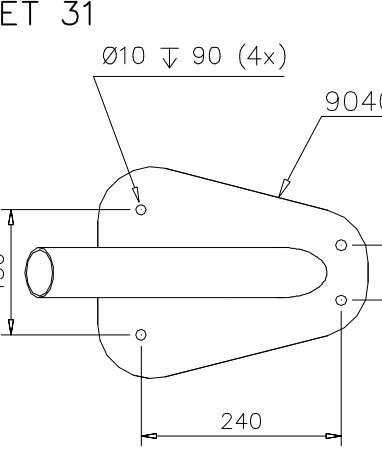
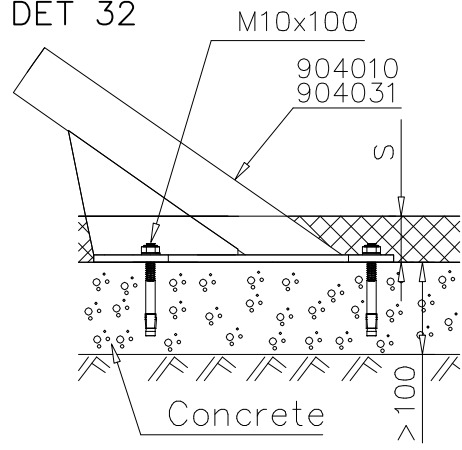
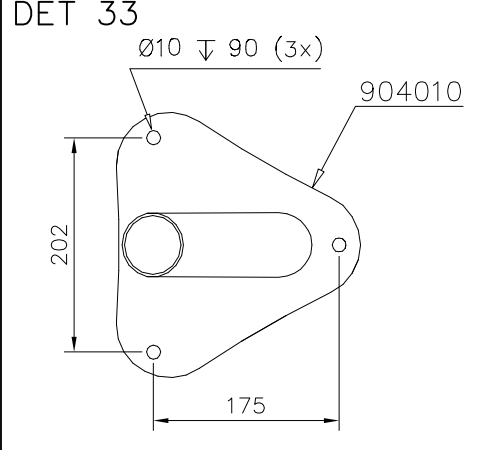
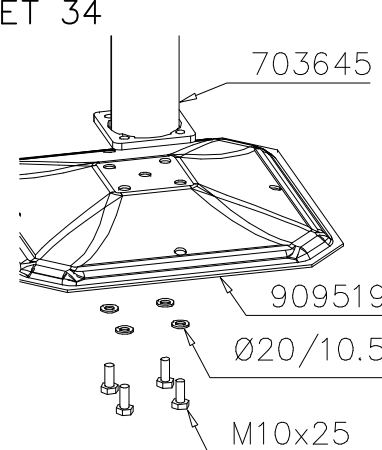
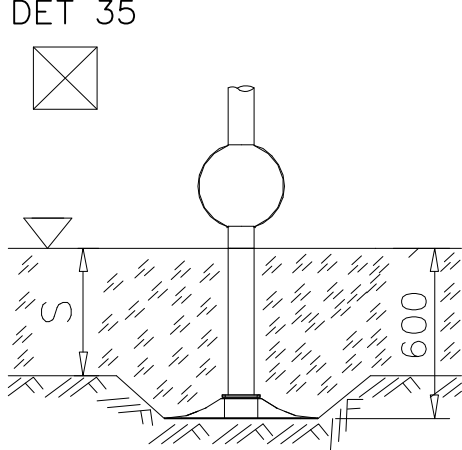

(D)

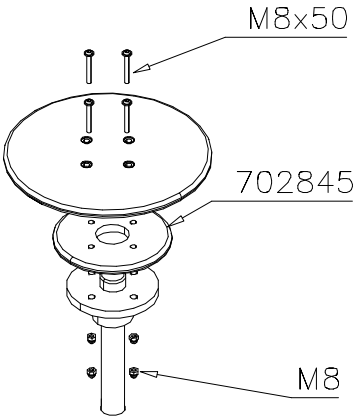
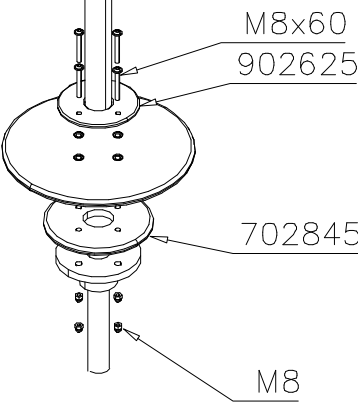
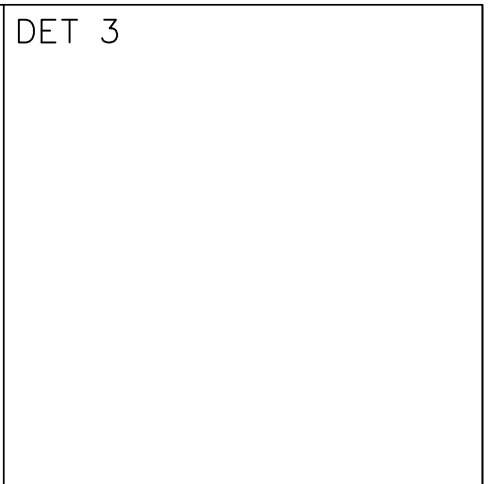
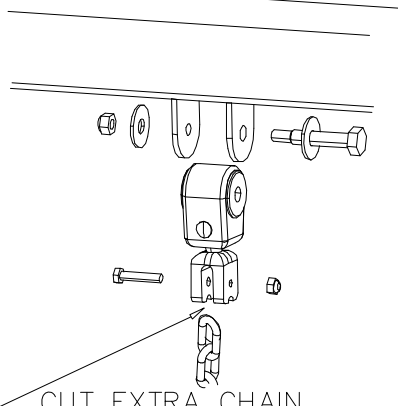
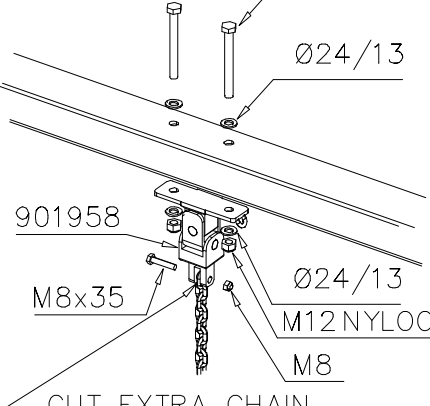
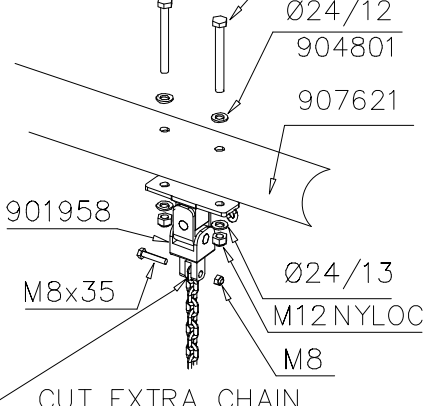
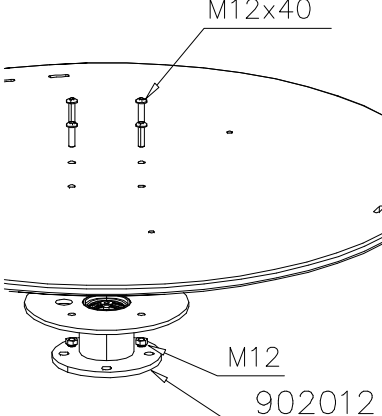
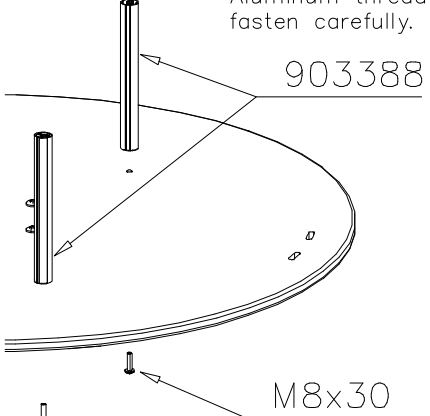
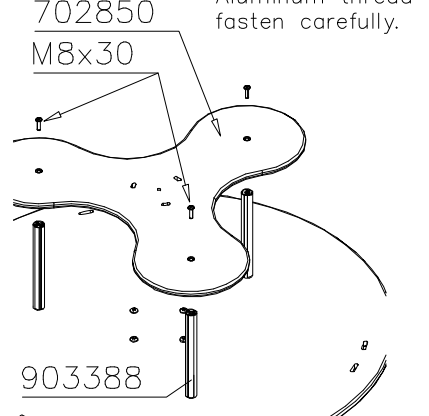
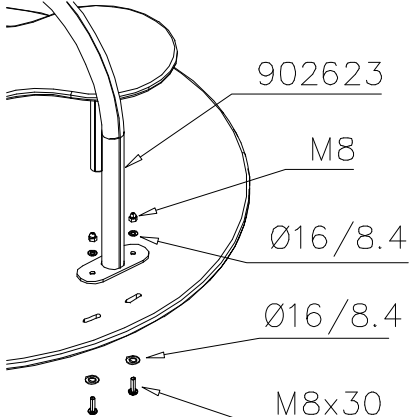
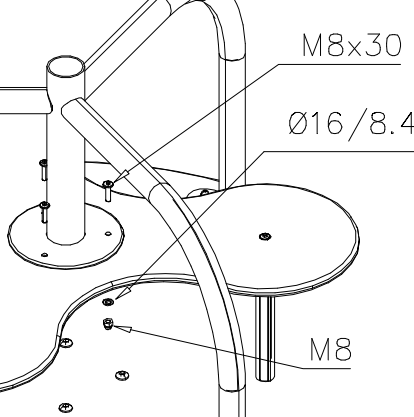
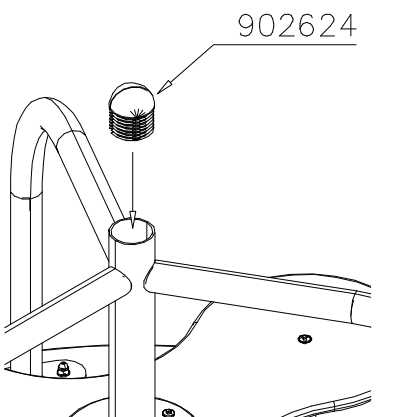


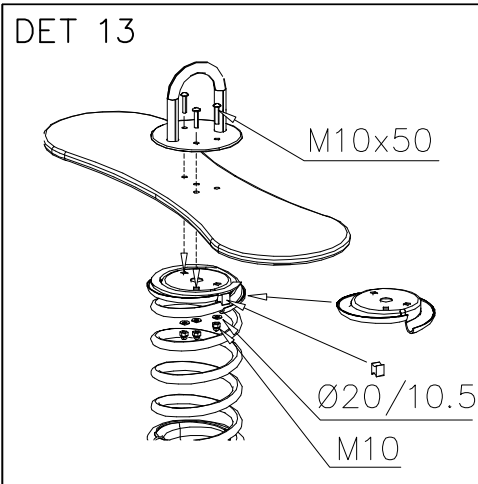
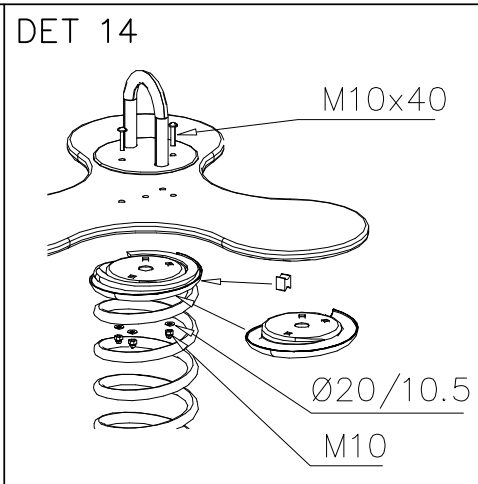
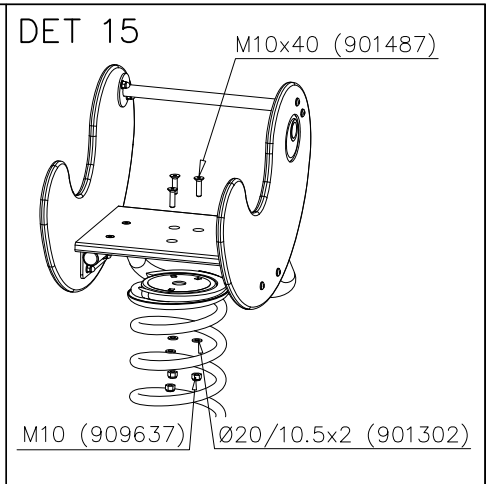
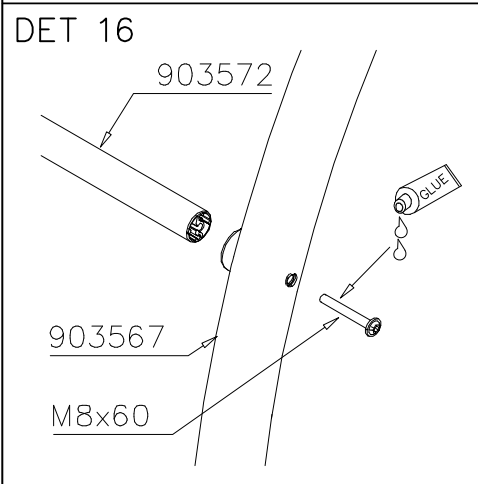
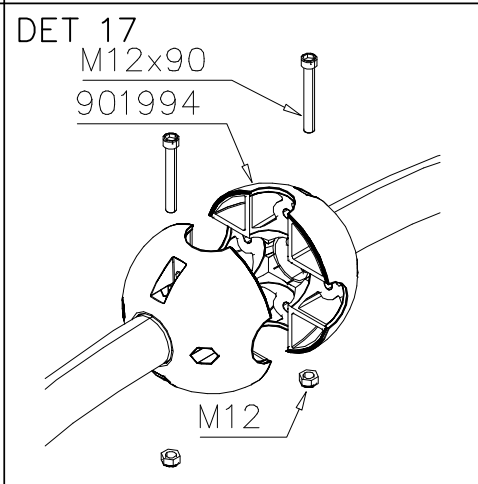
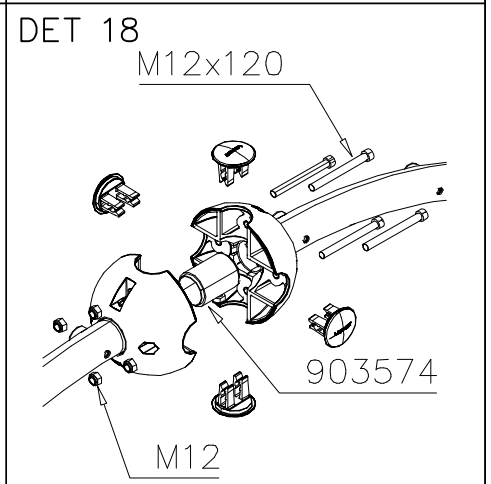
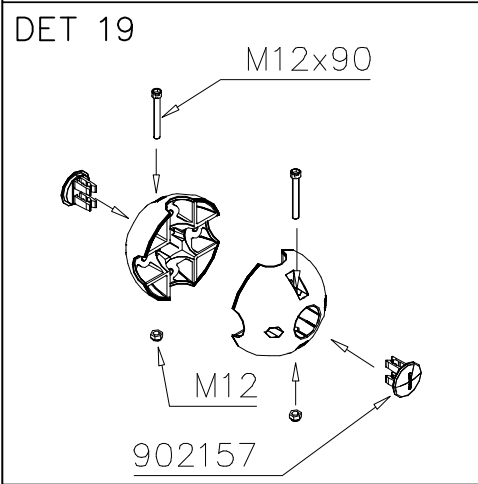
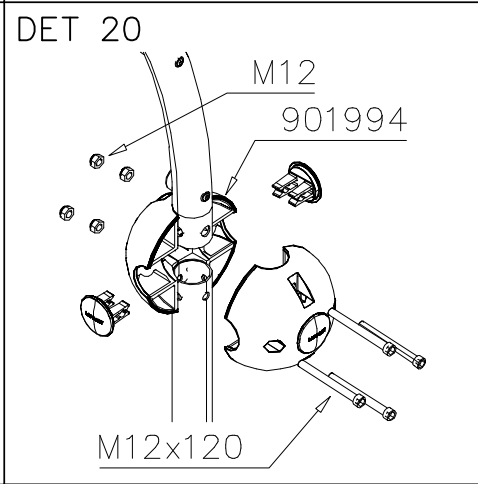
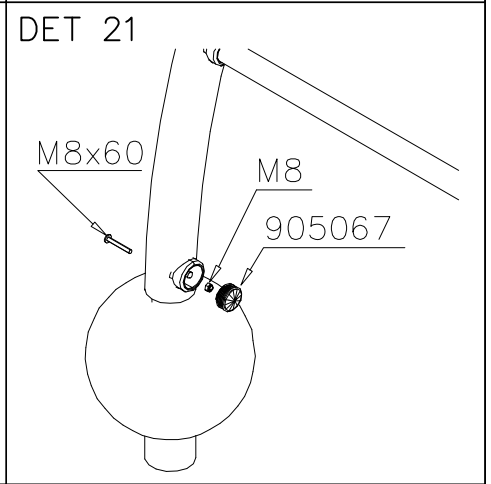
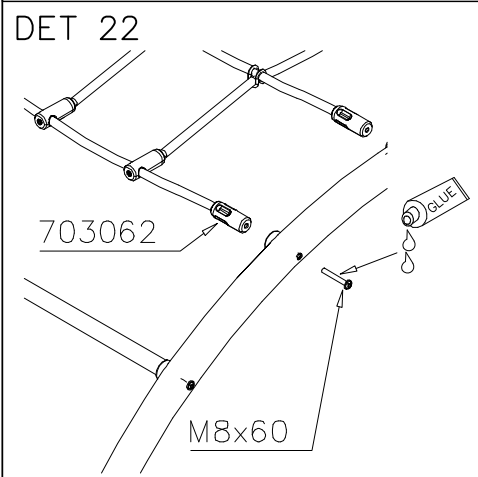
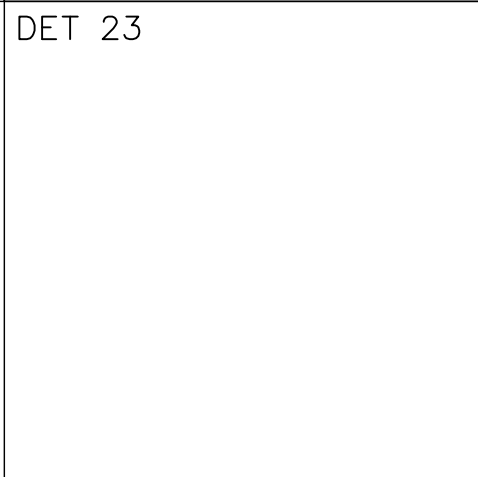
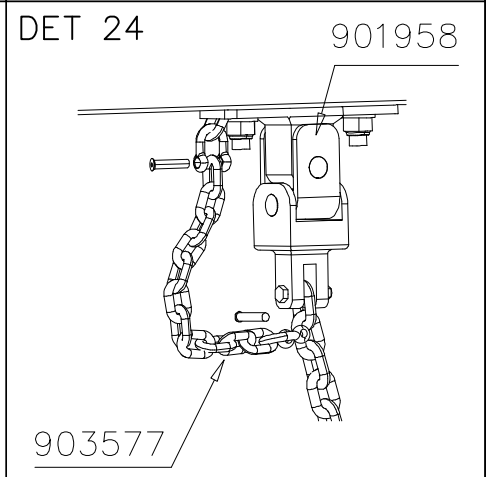


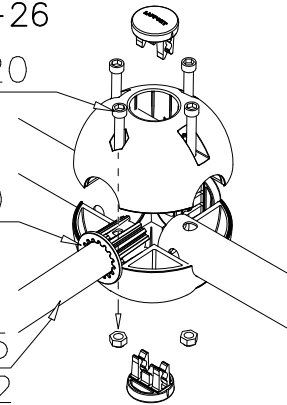
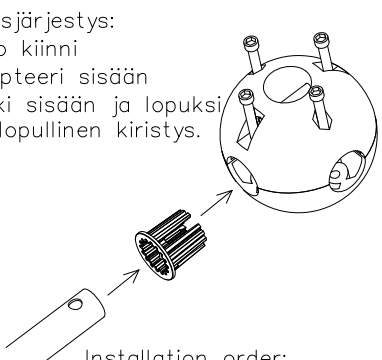
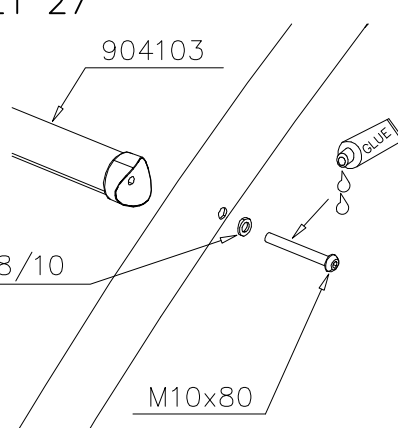
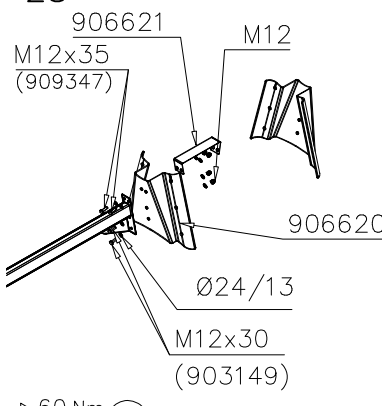
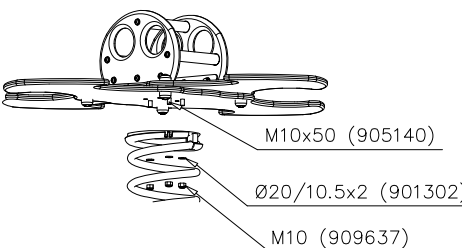
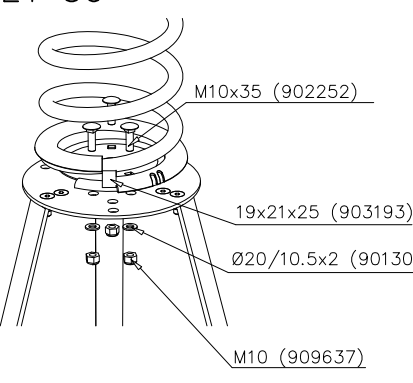
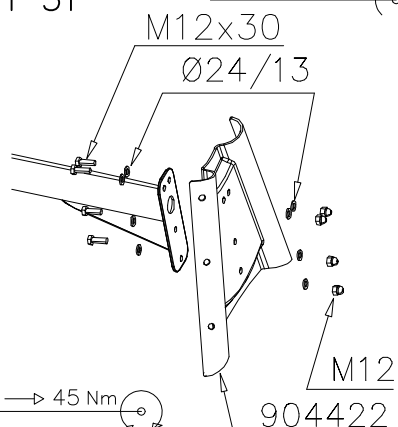
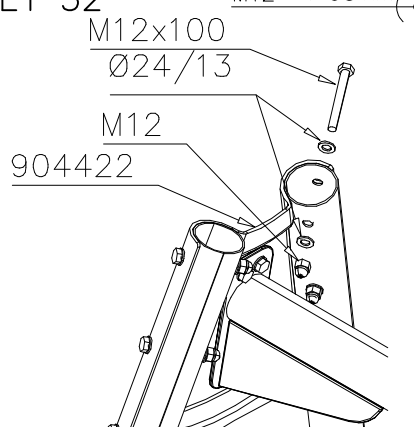
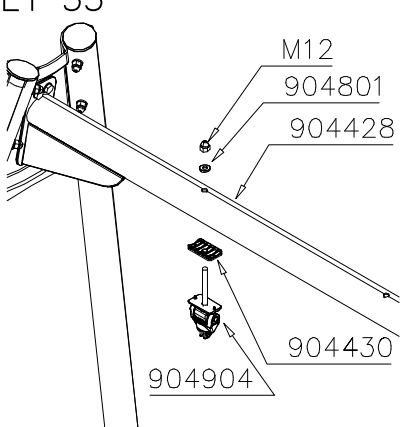
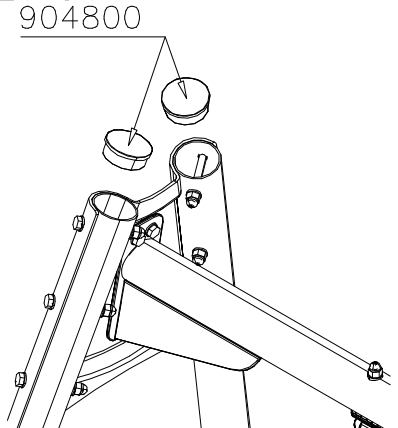
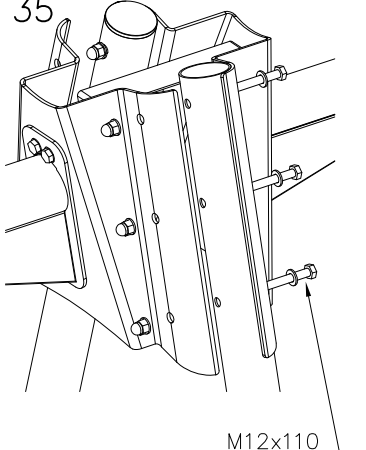
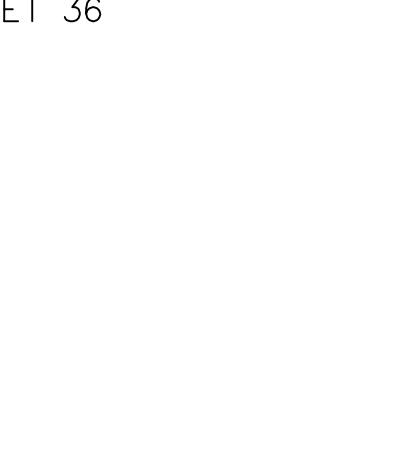


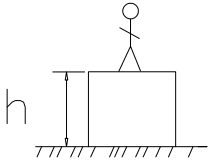



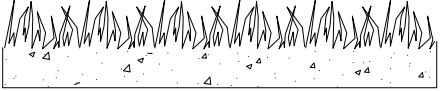
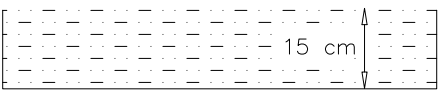
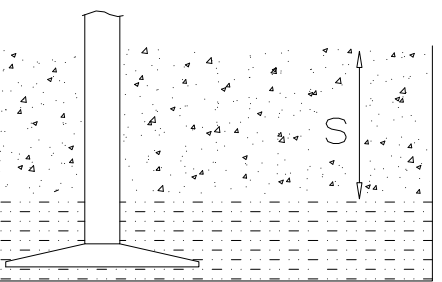
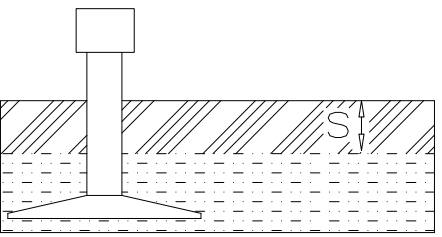


<p>DET 25</p>  <p>M10x25 909519 Ø20/10.5 M10</p>	<p>DET 26</p>  <p>Concrete 400</p>	<p>DET 27</p>  <p>Concrete 500x500x200 R100 400</p>
<p>DET 28</p>  <p>Ø10 ↓ 90 (3x) Ø233 202 58</p>	<p>DET 29</p>  <p>M10x100 902256 902277 904074 904087 Concrete 100</p>	<p>DET 30</p>  <p>902134 902256</p>
<p>DET 31</p>  <p>Ø10 ↓ 90 (4x) 904031 150 240 66</p>	<p>DET 32</p>  <p>M10x100 904010 904031 Concrete 100</p>	<p>DET 33</p>  <p>Ø10 ↓ 90 (3x) 904010 202 175</p>
<p>DET 34</p>  <p>703645 909519 Ø20/10.5 M10x25</p>	<p>DET 35</p>  <p>Concrete 600</p>	<p>DET 36</p> 

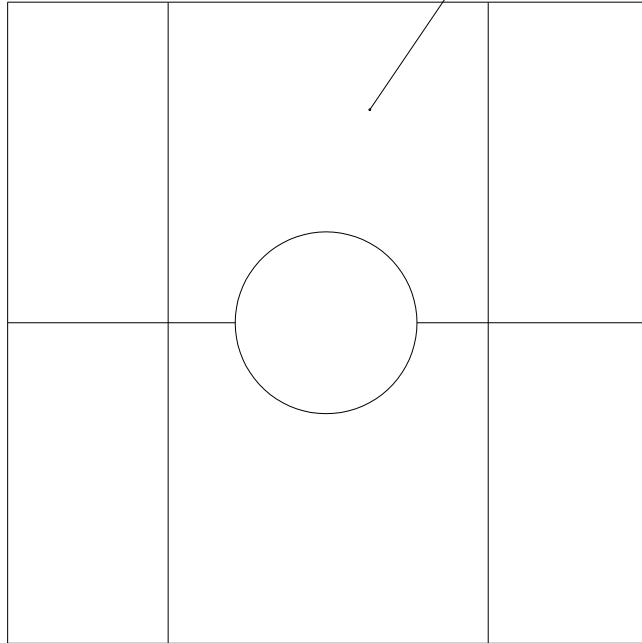
<p>DET 1</p>  <p>M8x50</p> <p>702845</p> <p>M8</p>	<p>DET 2</p>  <p>M8x60</p> <p>902625</p> <p>702845</p> <p>M8</p>	<p>DET 3</p> 
<p>DET 4</p>  <p>CUT EXTRA CHAIN</p>	<p>DET 5</p>  <p>M12x110</p> <p>Ø24/13</p> <p>901958</p> <p>M8x35</p> <p>Ø24/13</p> <p>M12 NYLOC</p> <p>M8</p> <p>CUT EXTRA CHAIN</p>	<p>DET 6</p>  <p>M12x120</p> <p>Ø24/12</p> <p>904801</p> <p>907621</p> <p>901958</p> <p>M8x35</p> <p>Ø24/13</p> <p>M12 NYLOC</p> <p>M8</p> <p>CUT EXTRA CHAIN</p>
<p>DET 7</p>  <p>M12x40</p> <p>M12</p> <p>902012</p>	<p>DET 8</p> <p>NOTE: Aluminum thread fasten carefully.</p>  <p>903388</p> <p>M8x30</p>	<p>DET 9</p> <p>NOTE: Aluminum thread fasten carefully.</p>  <p>702850</p> <p>M8x30</p> <p>903388</p>
<p>DET 10</p>  <p>902623</p> <p>M8</p> <p>Ø16/8.4</p> <p>Ø16/8.4</p> <p>M8x30</p>	<p>DET 11</p>  <p>M8x30</p> <p>Ø16/8.4</p> <p>M8</p>	<p>DET 12</p>  <p>902624</p>

<p>DET 13</p>  <p>M10x50</p> <p>Ø20/10.5</p> <p>M10</p>	<p>DET 14</p>  <p>M10x40</p> <p>Ø20/10.5</p> <p>M10</p>	<p>DET 15</p>  <p>M10x40 (901487)</p> <p>Ø20/10.5x2 (901302)</p> <p>M10 (909637)</p>
<p>DET 16</p>  <p>903572</p> <p>903567</p> <p>M8x60</p> <p>GLUE</p>	<p>DET 17</p>  <p>M12x90 901994</p> <p>M12</p>	<p>DET 18</p>  <p>M12x120</p> <p>M12</p> <p>903574</p>
<p>DET 19</p>  <p>M12x90</p> <p>M12</p> <p>902157</p>	<p>DET 20</p>  <p>M12 901994</p> <p>M12</p> <p>M12x120</p>	<p>DET 21</p>  <p>M8x60</p> <p>M8 905067</p>
<p>DET 22</p>  <p>703062</p> <p>M8x60</p> <p>GLUE</p>	<p>DET 23</p>  <p>901958</p>	<p>DET 24</p>  <p>903577</p>

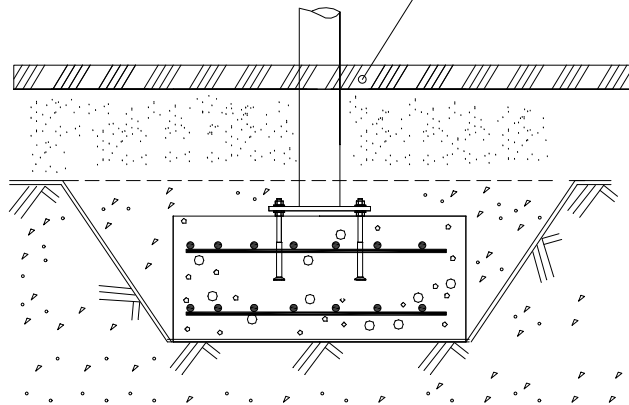
<p>DET 25-26</p> <p>M12x120</p> <p>904100</p> <p>904015</p> <p>904102</p> <p>Kun putken pää osuu adapterin kynsiin, adapteri tiukentuu paikoilleen.</p> 	<p>Asennusjärjestys:</p> <ol style="list-style-type: none"> 1) Pallo kiinni 2) Adapteri sisään 3) putki sisään ja lopuksi pallon lopullinen kiristys. <p>Installation order:</p> <ol style="list-style-type: none"> 1) Close the ball 2) Insert adapter 3) Insert tube and tighten screws. 	<p>DET 27</p> <p>904103</p> <p>Ø18/10</p> <p>M10x80</p> 
<p>DET 28</p> <p>906621</p> <p>M12x35 (909347)</p> <p>M12</p> <p>906620</p> <p>Ø24/13</p> <p>M12x30 (903149)</p> <p>M12 → 60 Nm</p> 	<p>DET 29</p> <p>M10x50 (905140)</p> <p>Ø20/10.5x2 (901302)</p> <p>M10 (909637)</p> 	<p>DET 30</p> <p>M10x35 (902252)</p> <p>19x21x25 (903193)</p> <p>Ø20/10.5x2 (901302)</p> <p>M10 (909637)</p> 
<p>DET 31</p> <p>M12 → 60 Nm</p> <p>M12x30</p> <p>Ø24/13</p> <p>M12</p> <p>904422</p> <p>M10 → 45 Nm</p> 	<p>DET 32</p> <p>M12 → 60 Nm</p> <p>M12x100</p> <p>Ø24/13</p> <p>M12</p> <p>904422</p> 	<p>DET 33</p> <p>M12</p> <p>904801</p> <p>904428</p> <p>904430</p> <p>904904</p> 
<p>DET 34</p> <p>904800</p> 	<p>DET 35</p> <p>M12x110</p> 	<p>DET 36</p> 

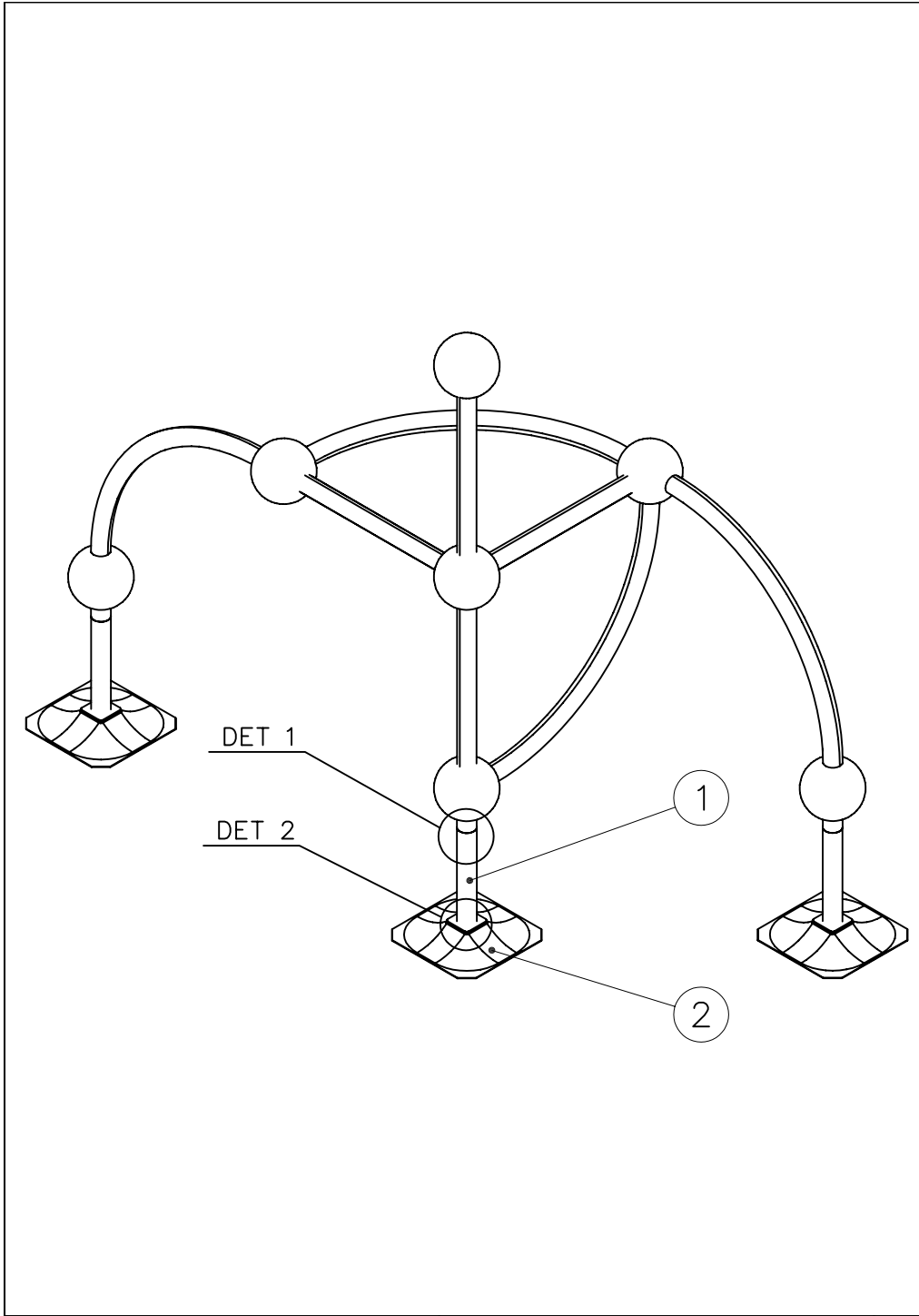
												
<p>$h < 600$</p> <p>Without movement and therefore without Impact Area</p>	<p>Totally hard surfaces.</p> <p>Note. Lappset does <u>not recommend</u> totally hard surfaces at all.</p>	<p>E.g. concrete or asphalt</p> 										
<p>$h < 600$</p> <p>With movement e.g. rocking</p>	<p>Materials with very limited impact attenuating properties.</p>	<p>E.g. wood</p> 										
<p>$h < 1000$</p>	<p>Materials with significant impact attenuating properties.</p>	<p>fine gravel 0–8 mm</p>  <p>grass</p>  <p>unsorted sand</p> 										
<p>$h < 3000$</p>	<p>Loose fill material</p> <p>E.g. sand/gravel 0,25...8 mm D60/D10<3,0 Woodchips 5...30 mm bark 20...80 mm</p>	 <table border="0" data-bbox="1024 1691 1324 1792"> <tr> <td>\underline{S}</td> <td>\underline{h}</td> </tr> <tr> <td>30 cm</td> <td>< 2,0 m</td> </tr> <tr> <td>40 cm</td> <td>< 3,0 m</td> </tr> </table>	\underline{S}	\underline{h}	30 cm	< 2,0 m	40 cm	< 3,0 m				
\underline{S}	\underline{h}											
30 cm	< 2,0 m											
40 cm	< 3,0 m											
	<p>Syntethic granulates</p> <table border="0" data-bbox="406 1892 750 2060"> <tr> <td>\underline{S}</td> <td>\underline{h}</td> </tr> <tr> <td>40 mm</td> <td>~> 1,2...1,3 m</td> </tr> <tr> <td>50 mm</td> <td>~> 1,5...1,7 m</td> </tr> <tr> <td>60 mm</td> <td>~> 1,8...2,0 m</td> </tr> <tr> <td>70 mm</td> <td>~> 2,1...2,5 m</td> </tr> </table> <p>Note. For accurate values, see manufacturer's instructions.</p>	\underline{S}	\underline{h}	40 mm	~> 1,2...1,3 m	50 mm	~> 1,5...1,7 m	60 mm	~> 1,8...2,0 m	70 mm	~> 2,1...2,5 m	
\underline{S}	\underline{h}											
40 mm	~> 1,2...1,3 m											
50 mm	~> 1,5...1,7 m											
60 mm	~> 1,8...2,0 m											
70 mm	~> 2,1...2,5 m											


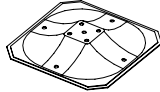


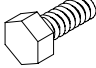
REMOVE SAFETY SURFACE/SAND/GRAVEL
TO CHECK FOUNDATION

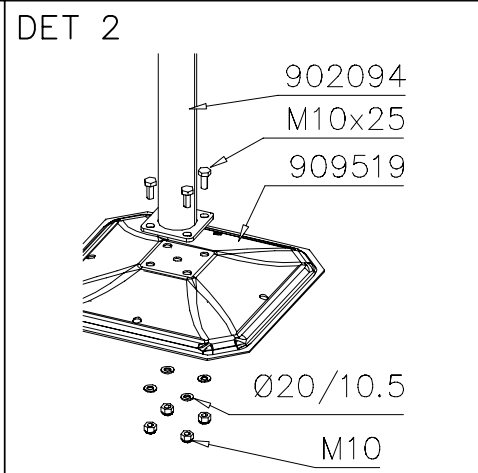
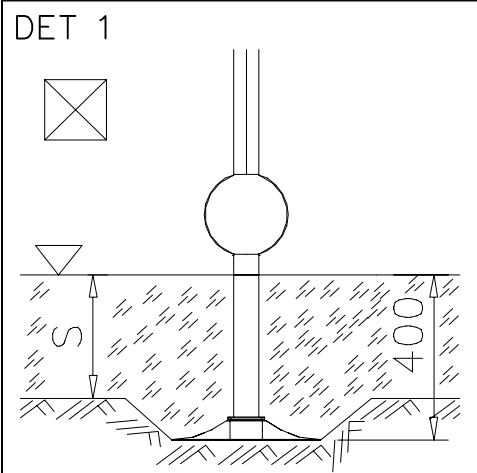


REMOVE SAFETY SURFACE/SAND/GRAVEL
TO CHECK FOUNDATION





① 902094	PCS	② 909519	PCS
	1		1
Ø60x450		50x380x380	
③ 909637	PCS	④ 909638	PCS
	4		4
M10		Ø20/10,5	
⑤ 909639	PCS		PCS
	4		
M10x25			
	PCS		PCS
	PCS		PCS
	PCS		PCS



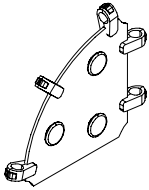
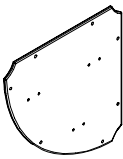
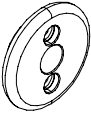
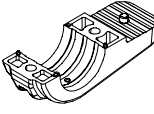
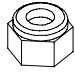

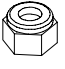
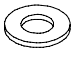
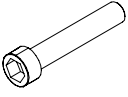
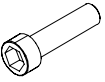
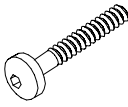
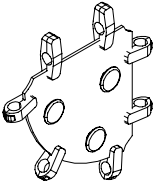
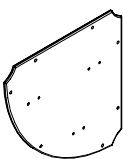

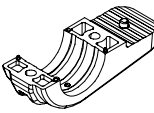
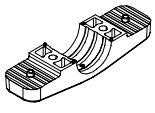
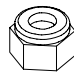
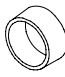
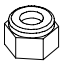

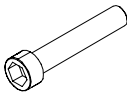
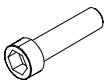
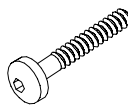
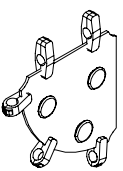
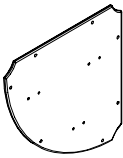
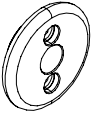
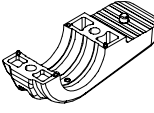
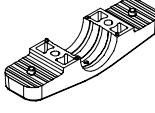
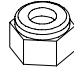



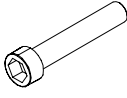
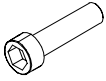
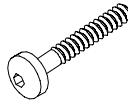
WINAM GROUP

WALL AND FLOOR

CLOXX

DATE: 3.8.2010



 <p>701967</p>	 <p>701936</p> <p>668x668x15</p>	<p>PCS</p> <p>1</p>	 <p>929322</p> <p>Ø120x30</p>	<p>PCS</p> <p>3</p>	 <p>902124</p> <p>150x50x50</p>	<p>PCS</p> <p>10</p>	 <p>980161</p> <p>M10</p>	<p>PCS</p> <p>10</p>	 <p>905112</p> <p>Ø22</p>	<p>PCS</p> <p>6</p>	 <p>980150</p> <p>M8</p>	<p>PCS</p> <p>6</p>
	 <p>909256</p> <p>Ø16/8.4x1.6</p>	<p>PCS</p> <p>6</p>	 <p>902232</p> <p>M10x55</p>	<p>PCS</p> <p>5</p>	 <p>902233</p> <p>M10x30</p>	<p>PCS</p> <p>5</p>	 <p>901899</p> <p>M8x45</p>	<p>PCS</p> <p>6</p>		<p>PCS</p>		<p>PCS</p>
		<p>PCS</p>		<p>PCS</p>		<p>PCS</p>		<p>PCS</p>		<p>PCS</p>		<p>PCS</p>
 <p>701987</p>	 <p>701936</p> <p>668x668x15</p>	<p>PCS</p> <p>1</p>	 <p>929322</p> <p>Ø120x30</p>	<p>PCS</p> <p>3</p>	 <p>902124</p> <p>150x50x50</p>	<p>PCS</p> <p>10</p>	 <p>902197</p> <p>200x50x50</p>	<p>PCS</p> <p>4</p>	 <p>980161</p> <p>M10</p>	<p>PCS</p> <p>14</p>	 <p>905112</p> <p>Ø22</p>	<p>PCS</p> <p>6</p>
	 <p>980160</p> <p>M8</p>	<p>PCS</p> <p>6</p>	 <p>909256</p> <p>Ø16/8.4x1.6</p>	<p>PCS</p> <p>6</p>	 <p>902232</p> <p>M10x55</p>	<p>PCS</p> <p>9</p>	 <p>902233</p> <p>M10x30</p>	<p>PCS</p> <p>5</p>	 <p>901899</p> <p>M8x45</p>	<p>PCS</p> <p>6</p>		<p>PCS</p>
		<p>PCS</p>		<p>PCS</p>		<p>PCS</p>		<p>PCS</p>		<p>PCS</p>		<p>PCS</p>
 <p>702046</p>	 <p>701936</p> <p>668x668x15</p>	<p>PCS</p> <p>1</p>	 <p>929322</p> <p>Ø120x30</p>	<p>PCS</p> <p>3</p>	 <p>902124</p> <p>150x50x50</p>	<p>PCS</p> <p>10</p>	 <p>902197</p> <p>200x50x50</p>	<p>PCS</p> <p>4</p>	 <p>980161</p> <p>M10</p>	<p>PCS</p> <p>10</p>	 <p>905112</p> <p>Ø22</p>	<p>PCS</p> <p>6</p>
	 <p>980150</p> <p>M8</p>	<p>PCS</p> <p>6</p>	 <p>909256</p> <p>Ø16/8.4x1.6</p>	<p>PCS</p> <p>6</p>	 <p>902232</p> <p>M10x55</p>	<p>PCS</p> <p>7</p>	 <p>902233</p> <p>M10x30</p>	<p>PCS</p> <p>3</p>	 <p>901899</p> <p>M8x45</p>	<p>PCS</p> <p>6</p>		<p>PCS</p>

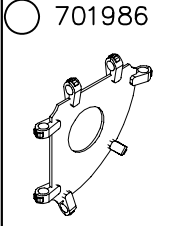
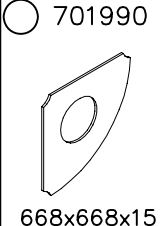
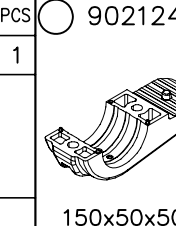
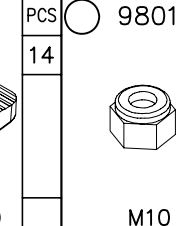
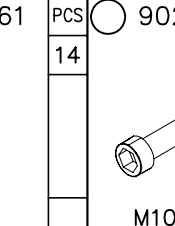
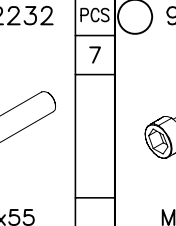
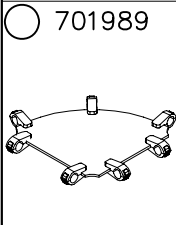
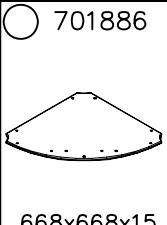
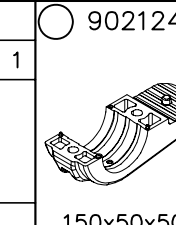
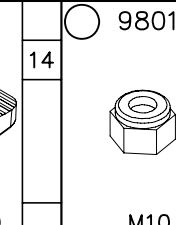
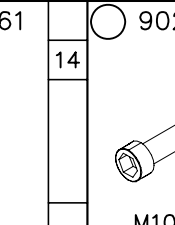
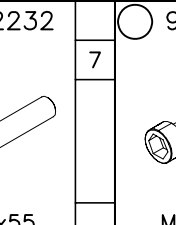
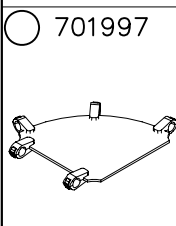
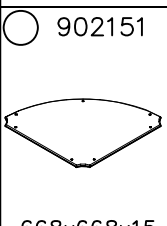
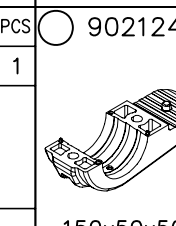
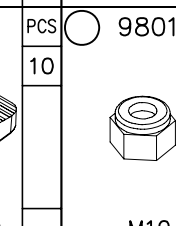
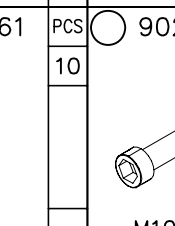
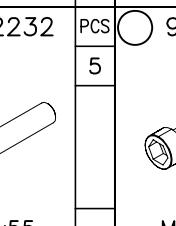
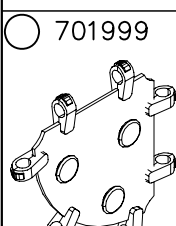
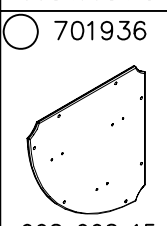
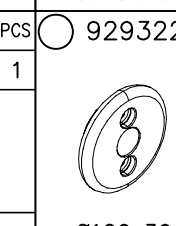
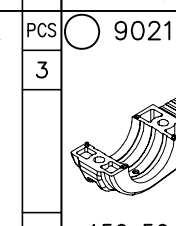
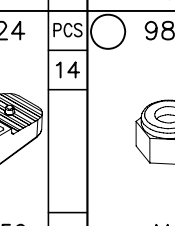
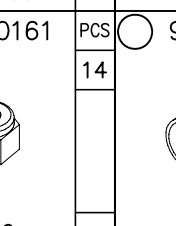
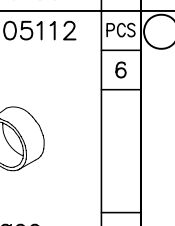
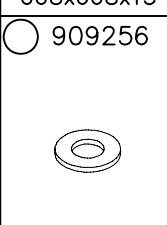
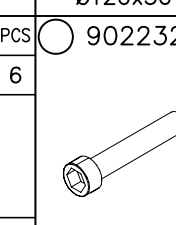
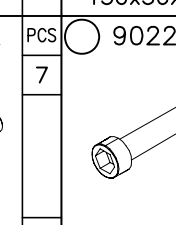
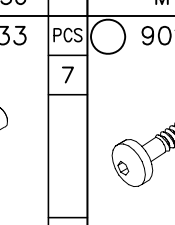
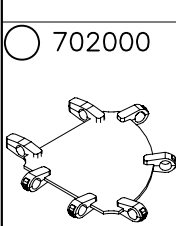
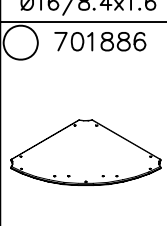
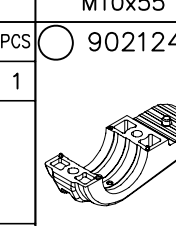
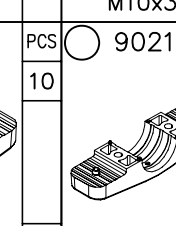
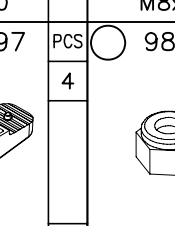
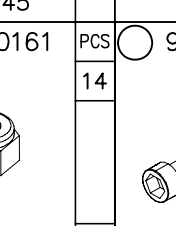
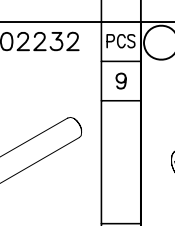
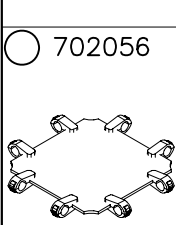
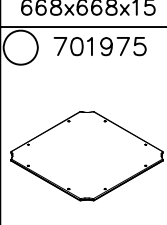
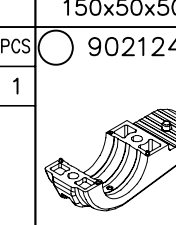
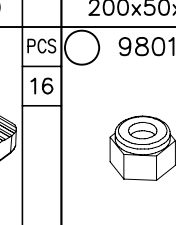
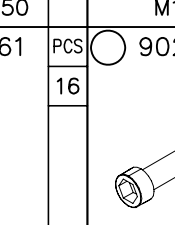
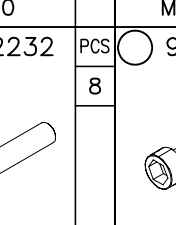
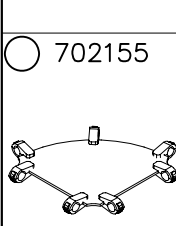
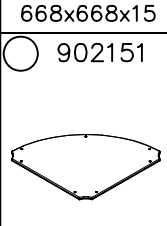
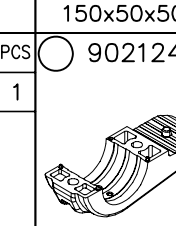
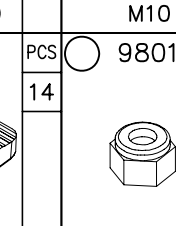
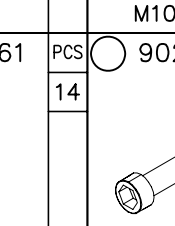
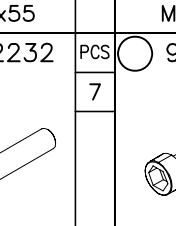
WINAM GROUP

WALL AND FLOOR

CLOXX

DATE: 3.8.2010



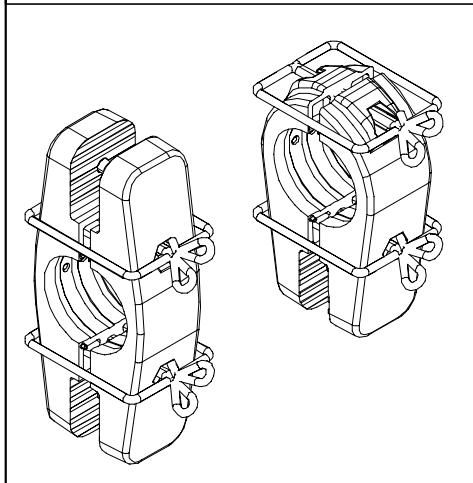
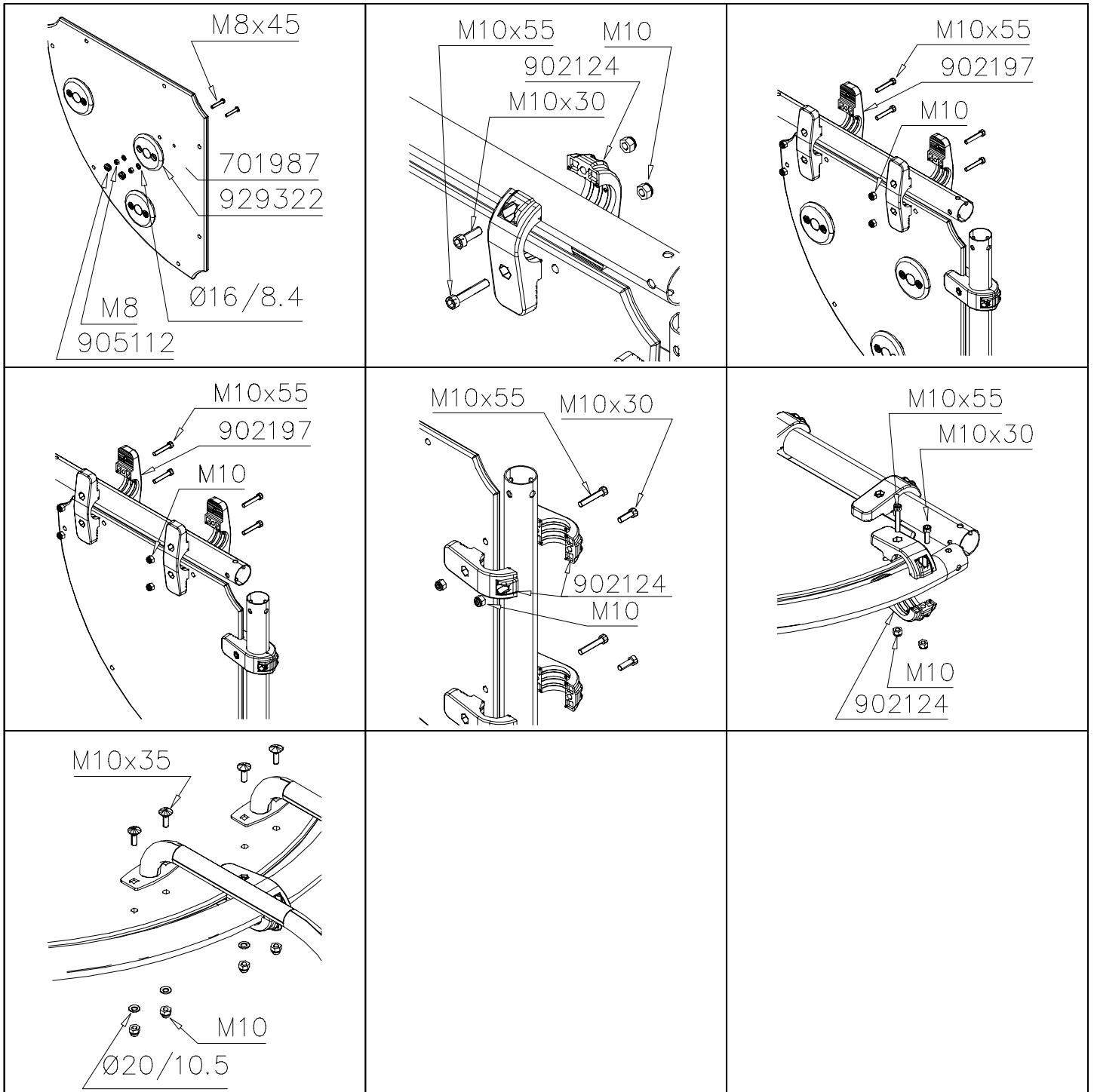
 701986	 668x668x15	PCS 1	 150x50x50	PCS 14	 M10	PCS 14	 M10x55	PCS 7	 M10x30	PCS 7		PCS
 701989	 668x668x15	PCS 1	 150x50x50	PCS 14	 M10	PCS 14	 M10x55	PCS 7	 M10x30	PCS 7		PCS
 701997	 668x668x15	PCS 1	 150x50x50	PCS 10	 M10	PCS 10	 M10x55	PCS 5	 M10x30	PCS 5		PCS
 701999	 668x668x15	PCS 1	 Ø120x30	PCS 3	 150x50x50	PCS 14	 M10	PCS 14	 Ø22	PCS 6	 M8	PCS 6
	 Ø16/8.4x1.6	PCS 6	 M10x55	PCS 7	 M10x30	PCS 7	 M8x45	PCS 6		PCS		PCS
 702000	 668x668x15	PCS 1	 150x50x50	PCS 10	 200x50x50	PCS 4	 M10	PCS 14	 M10x55	PCS 9	 M10x30	PCS 5
 702056	 668x668x15	PCS 1	 150x50x50	PCS 16	 M10	PCS 16	 M10x55	PCS 8	 M10x30	PCS 8		PCS
 702155	 668x668x15	PCS 1	 150x50x50	PCS 14	 M10	PCS 14	 M10x55	PCS 7	 M10x30	PCS 7		PCS

WINAM GROUP

WALL AND FLOOR

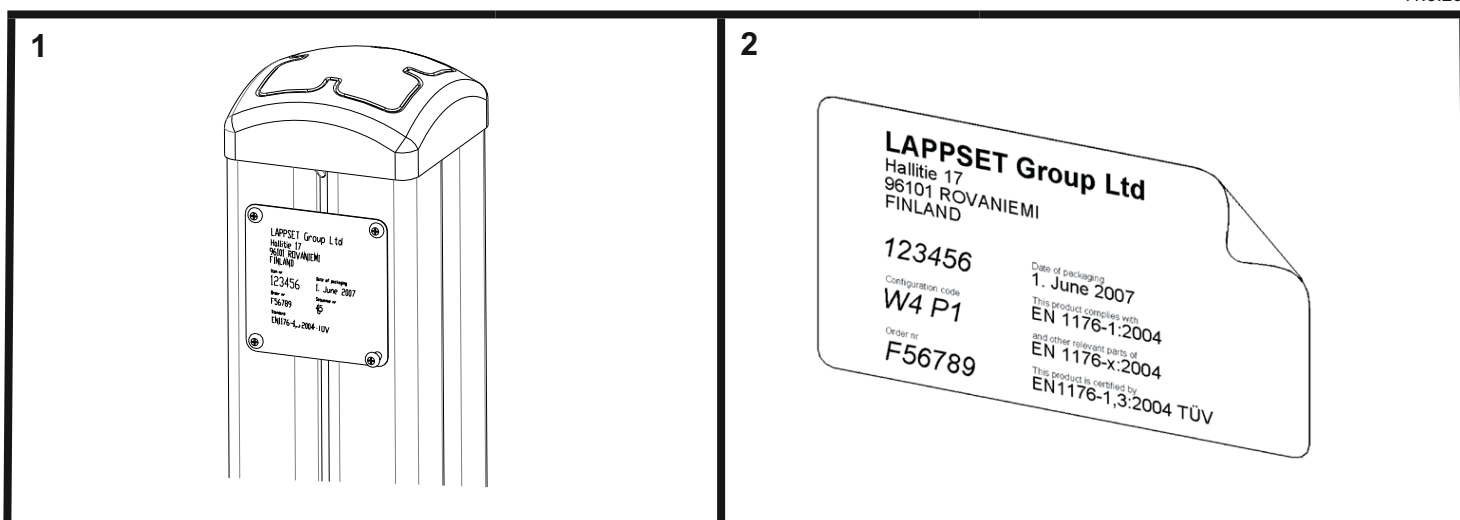
CLOXX

DATE: 3.8.2010



NOTE:
Use a wire marked pairs
of the same junction.

Huom!
Käytä langalla merkittyä
paria samassa liitoksessa.



Tuotekyltti tulee tuotteen mukana yhdellä seuraavista tavoista:

1) Metallinen tuotekyltti ja kiinnitysruuvit

- Kiinnitä tuotekyltti ruuveilla tolppaan noin 2 metrin korkeuteen kuvan 2 mukaisesti.

2) Tuotekylttitarra

- Puhdista maalattu metalli- tai vaneripinta pölystä ja kosteudesta. Liimaa tarra kuvan 3 mukaisesti.
- Huom. Älä kiinnitä tarraa karheapintaiseen laminaattiin tai maalattuun puuhun.

Vår produktmärkning levereras på ett av följande sätt:

1) Produktskylt i metall

- Fäst skylten med de medföljande skruvarna

2) Självhäftande produktetikett

- Rengör den pulverlackerad metallytan eller laminatytans åttanblirfrån smutsoch fukt. Fäst etiketten enligt fig. 3.
- Obs! Fäst ej etiketten på detaljer med skrovlig yta eller på målat trä.

Product label is delivered by one of following ways:

1) Metal product label and screws

- Fasten the label with screws.

2) Label sticker

- Clean the painted metal or plywood surface from dirt and moisture. Fasten the sticker as shown in the figure 3.
- Note. Do not attach the sticker to rough surfaced laminate or painted wood.

La plaque d'informations produit est livrée sous l'une de ces 3 formes :

1) Plaque métallique et vis

- Fixez la plaque à l'aide des vis.

2) Etiquette autocollante

- Avant de coller l'étiquette, nettoyez le composant métallique peint ou la plaque de contreplaqué, de toute saleté. La surface doit être sèche (voir image 3).
- Attention, ne pas coller l'étiquette sur une surface lamellé-collée irrégulière ou sur du bois peint.

Die Auslieferung des Produktaufklebers erfolgt auf eine dieser Arten:

1) Produkt-Schild aus Metall incl. Schrauben

- Die Befestigung des Schildes erfolgt mittels der Schrauben.

2) Aufkleber

- Entfernen Sie zunächst Schmutz und Feuchtigkeit vom lackierten Metall bzw. von der Holzoberfläche und bringen Sie den Aufkleber wie im Bild oben rechts beschrieben auf den gesäuberten Untergrund auf.
- Beachten Sie: Bringen Sie den Aufkleber nicht auf raues laminiertes oder lackiertes Holz an.

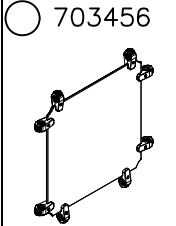
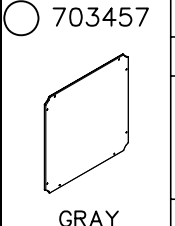
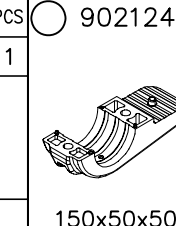
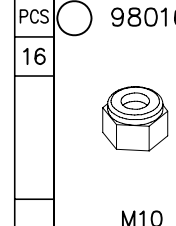
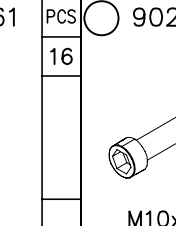
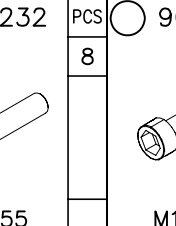
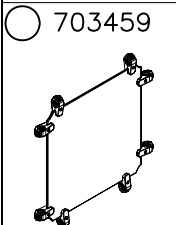
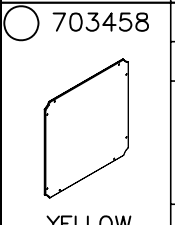
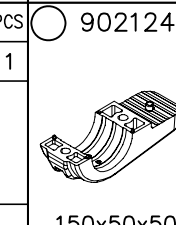
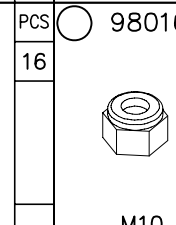
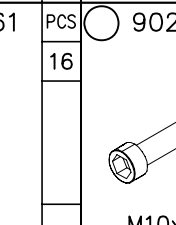
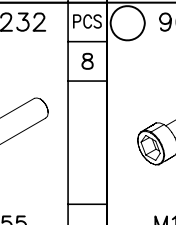
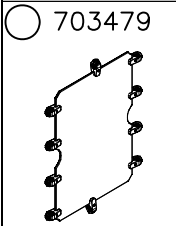
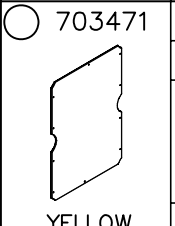
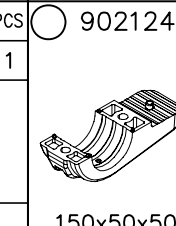
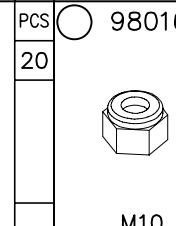
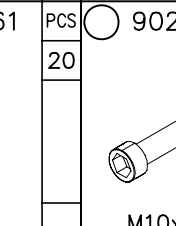
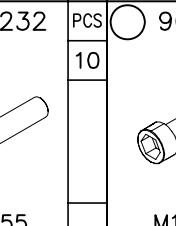
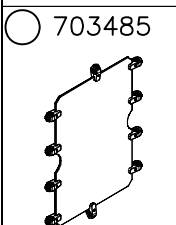
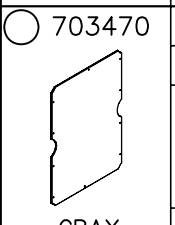
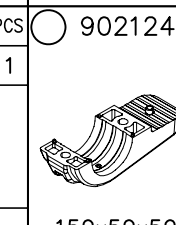
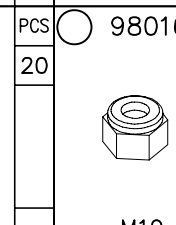
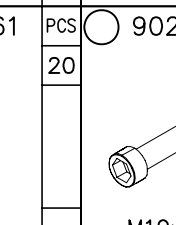
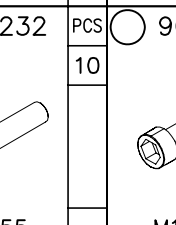
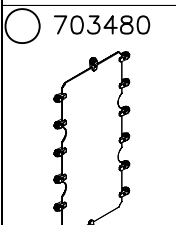
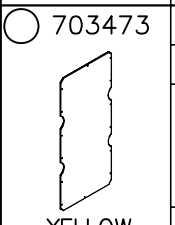
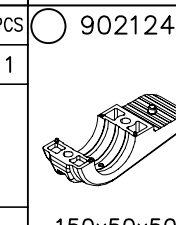
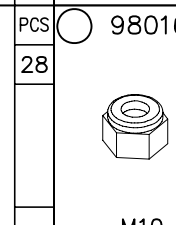
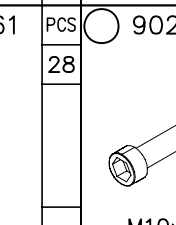
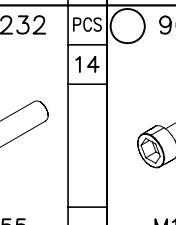
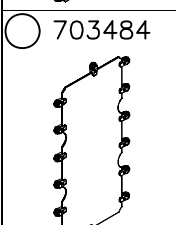
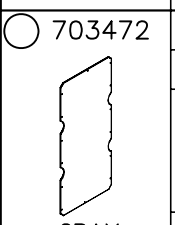
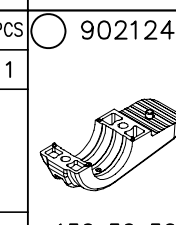
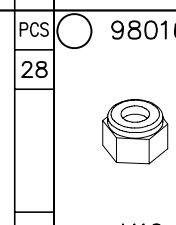
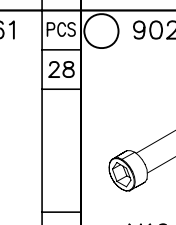
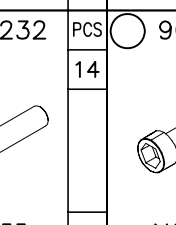
WINAM GROUP

WALL

PARKOUR

DATE: 17.11.2010



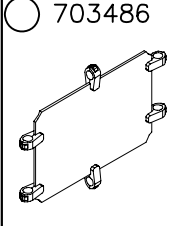
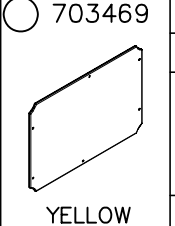
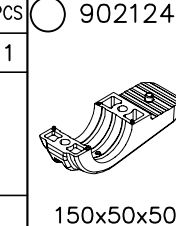
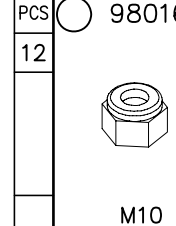
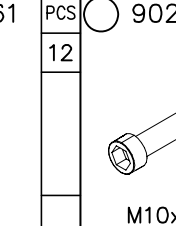
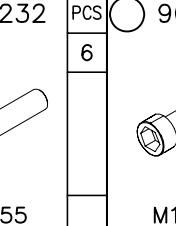
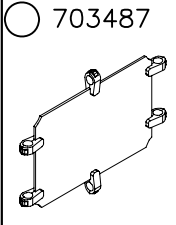
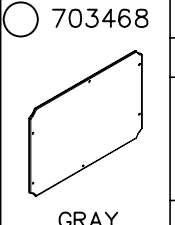
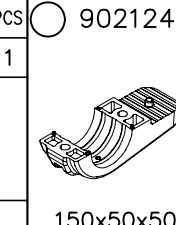
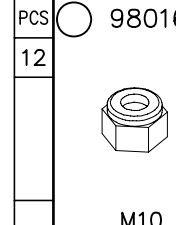
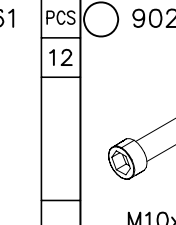
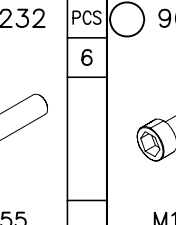
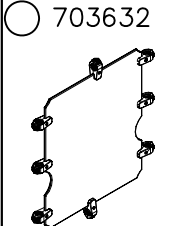
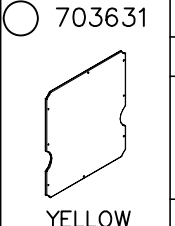
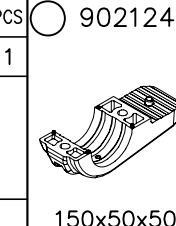
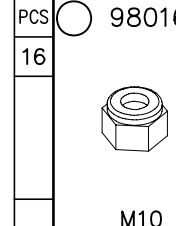
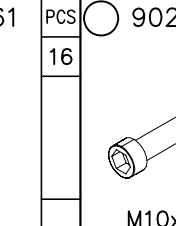
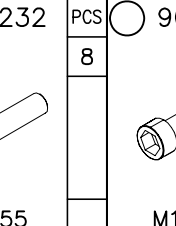
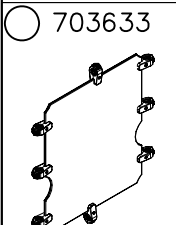
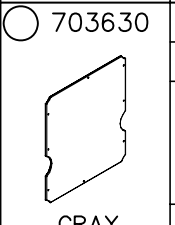
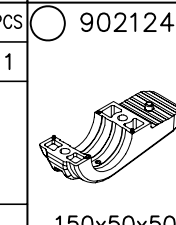
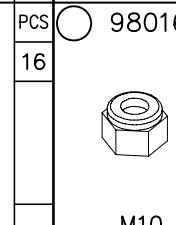
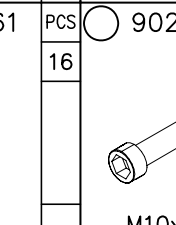
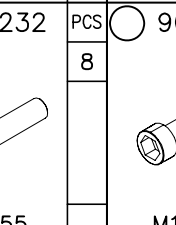
 703456	 703457 GRAY	PCS 1	 902124 150x50x50	PCS 16	 980161 M10	PCS 16	 902232 M10x55	PCS 8	 902233 M10x30	PCS 8		PCS
 703459	 703458 YELLOW	PCS 1	 902124 150x50x50	PCS 16	 980161 M10	PCS 16	 902232 M10x55	PCS 8	 902233 M10x30	PCS 8		PCS
		PCS		PCS		PCS		PCS		PCS		PCS
 703479	 703471 YELLOW	PCS 1	 902124 150x50x50	PCS 20	 980161 M10	PCS 20	 902232 M10x55	PCS 10	 902233 M10x30	PCS 10		PCS
 703485	 703470 GRAY	PCS 1	 902124 150x50x50	PCS 20	 980161 M10	PCS 20	 902232 M10x55	PCS 10	 902233 M10x30	PCS 10		PCS
		PCS		PCS		PCS		PCS		PCS		PCS
 703480	 703473 YELLOW	PCS 1	 902124 150x50x50	PCS 28	 980161 M10	PCS 28	 902232 M10x55	PCS 14	 902233 M10x30	PCS 14		PCS
 703484	 703472 GRAY	PCS 1	 902124 150x50x50	PCS 28	 980161 M10	PCS 28	 902232 M10x55	PCS 14	 902233 M10x30	PCS 14		PCS

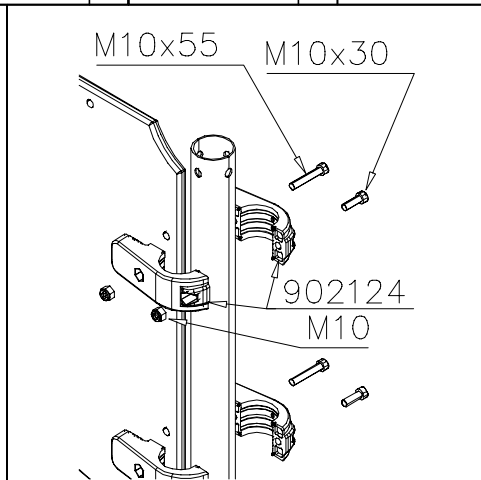
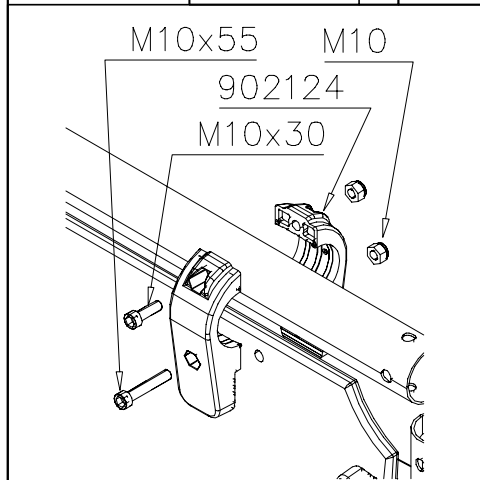
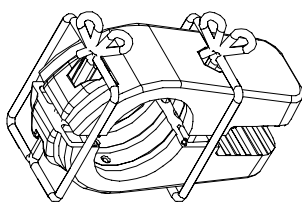
WINAM GROUP WALL

PARKOUR

DATE: 17.11.2010

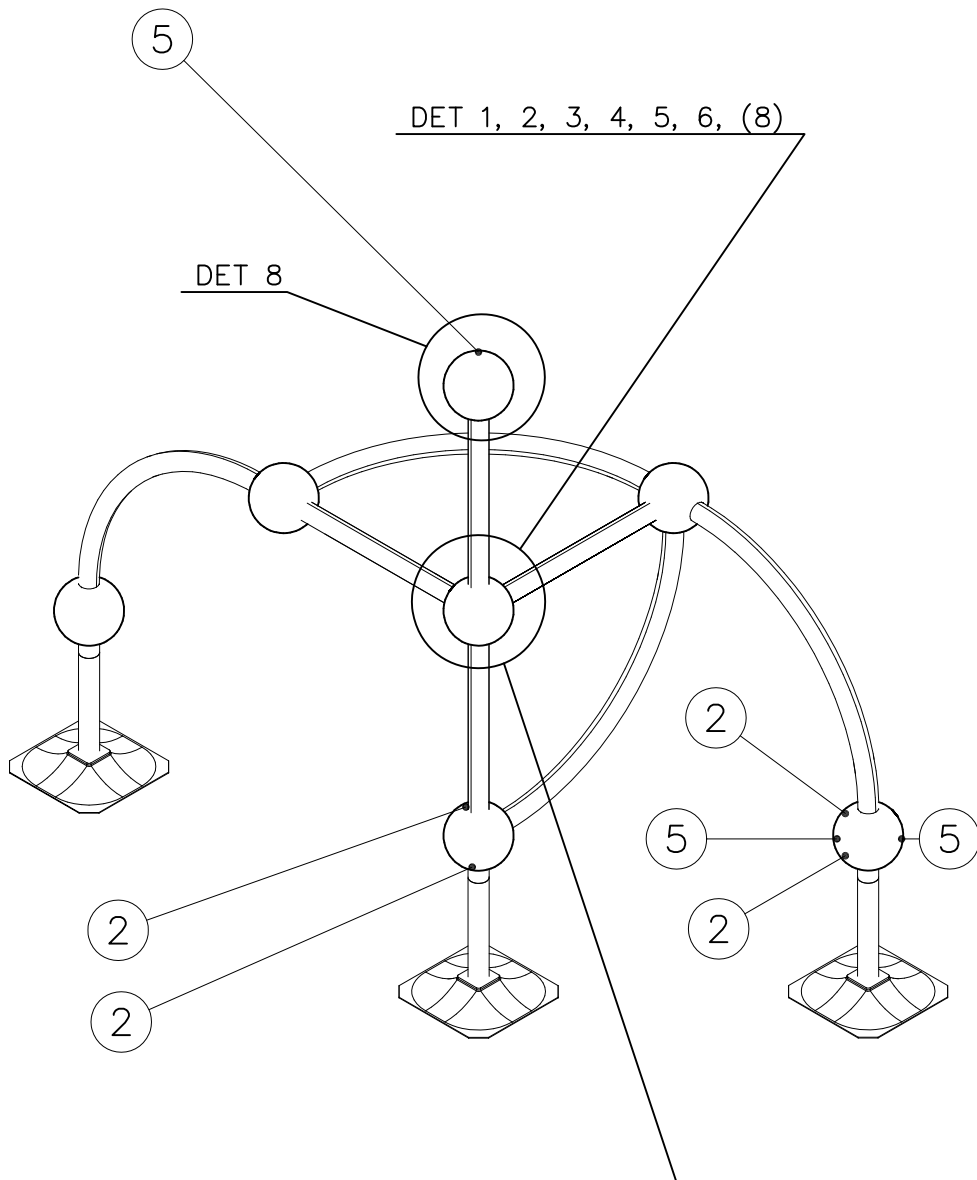


	 YELLOW	PCS 1	 150x50x50	PCS 12	 M10	PCS 12	 M10x55	PCS 6	 M10x30	PCS 6		PCS
	 GRAY	PCS 1	 150x50x50	PCS 12	 M10	PCS 12	 M10x55	PCS 6	 M10x30	PCS 6		PCS
		PCS		PCS		PCS		PCS		PCS		PCS
	 YELLOW	PCS 1	 150x50x50	PCS 16	 M10	PCS 16	 M10x55	PCS 8	 M10x30	PCS 8		PCS
	 GRAY	PCS 1	 150x50x50	PCS 16	 M10	PCS 16	 M10x55	PCS 8	 M10x30	PCS 8		PCS
		PCS		PCS		PCS		PCS		PCS		PCS

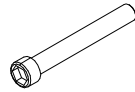

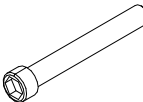




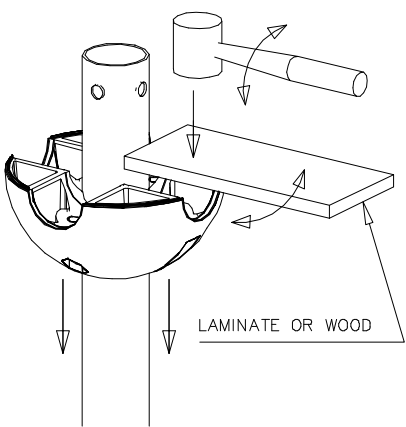
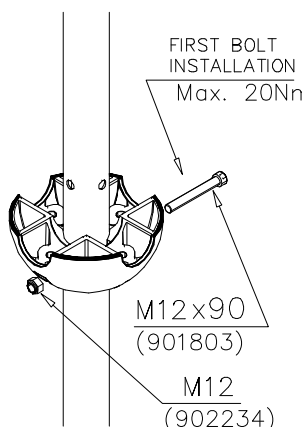
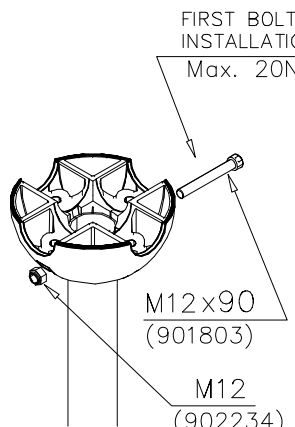
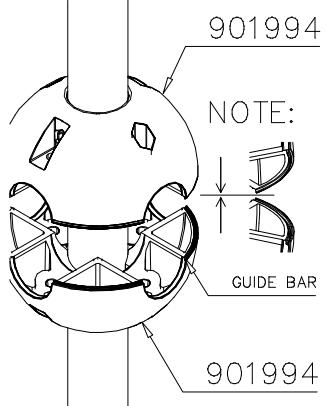
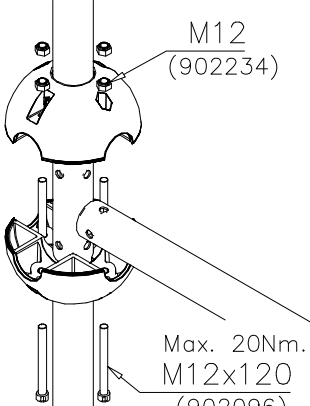
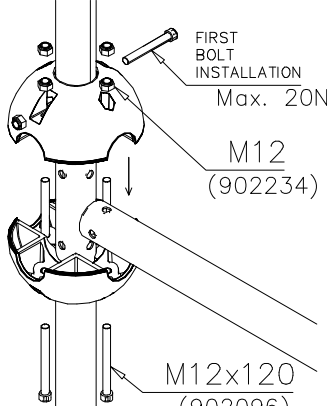
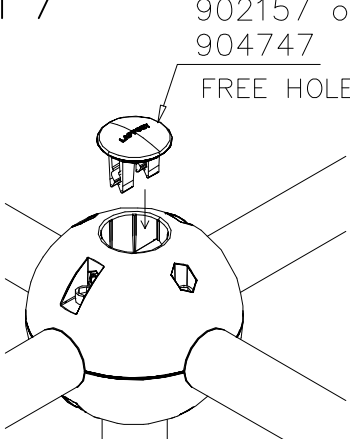
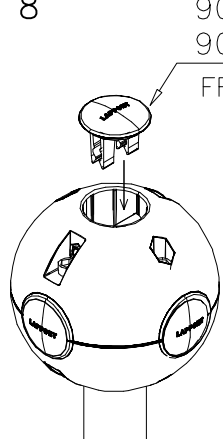
NOTE:
Use a wire marked pairs of the same junction.

Huom!
Käytä langalla merkittyä paria samassa liitoksessa.



DO NOT TIGHTEN THE JOINTS UNTIL THE STRUCTURE IS COMPLETE.

① 901803	PCS	② 901994	PCS
	2		2
M12x90		Ø190	
③ 902096	PCS	④ 902234	PCS
	4		6
M12x120		M12	
	PCS		PCS
	PCS		PCS
	PCS		PCS
	PCS		PCS
	PCS		PCS

<p>DET 1</p>  <p>LAMINATE OR WOOD</p>	<p>DET 2</p>  <p>FIRST BOLT INSTALLATION Max. 20Nm.</p> <p>M12x90 (901803)</p> <p>M12 (902234)</p>	<p>DET 3</p>  <p>FIRST BOLT INSTALLATION Max. 20Nm.</p> <p>M12x90 (901803)</p> <p>M12 (902234)</p>
<p>DET 4</p>  <p>901994</p> <p>NOTE:</p> <p>GUIDE BAR</p> <p>901994</p>	<p>DET 5</p>  <p>M12 (902234)</p> <p>Max. 20Nm. M12x120 (902096)</p>	<p>DET 6</p>  <p>FIRST BOLT INSTALLATION Max. 20Nm.</p> <p>M12 (902234)</p> <p>M12x120 (902096)</p>
<p>REMEMBER FINAL TIGHTENING</p>	<p>DET 7</p>  <p>902157 or 904747</p> <p>FREE HOLE</p>	<p>DET 8</p>  <p>902157 or 904747</p> <p>FREE HOLE</p>