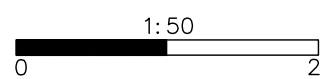




WINAM GROUP

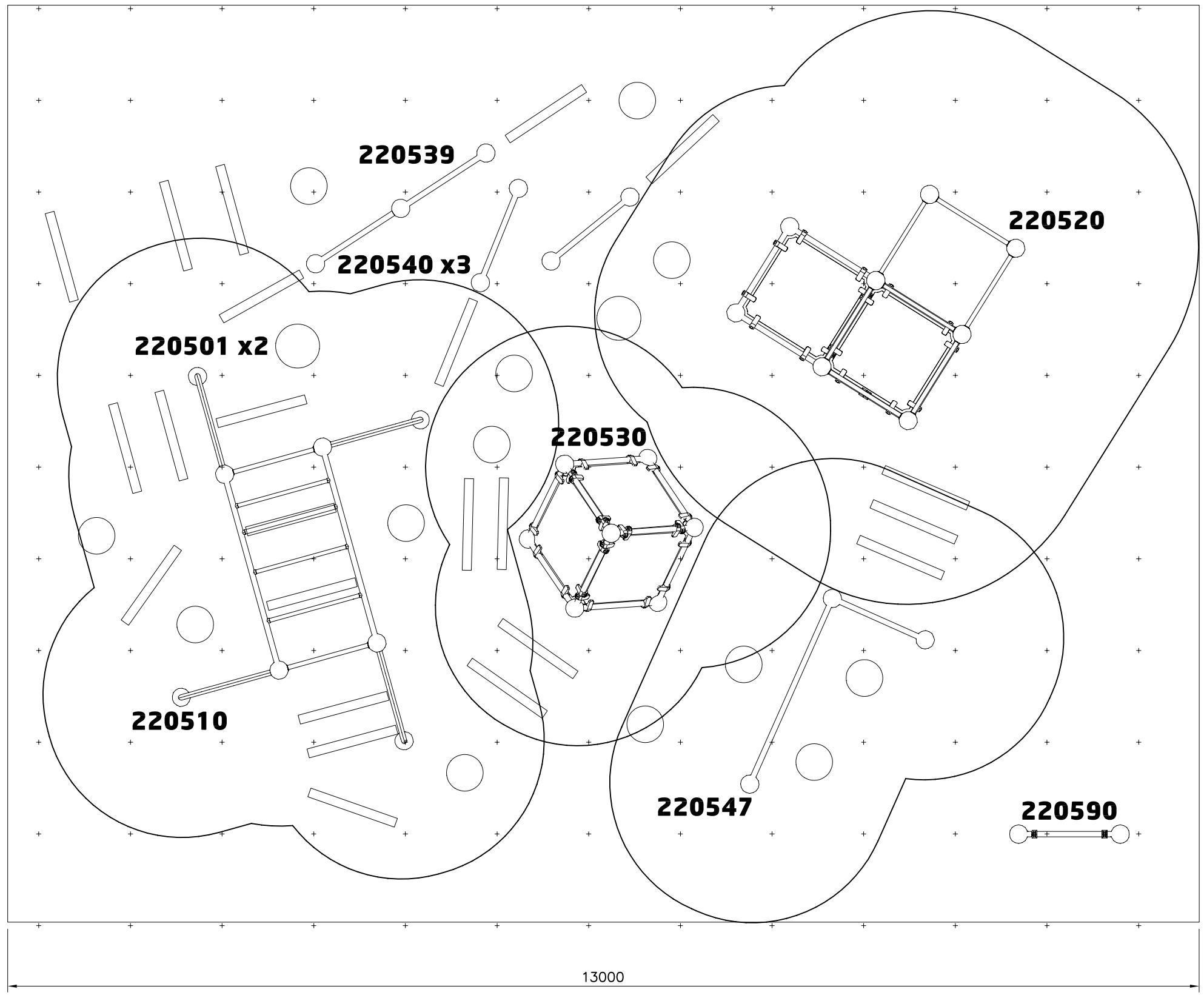
PARKOUR S-SIZE FOR CHILDREN

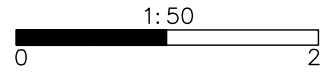
Grid Size = 1000 mm



220591

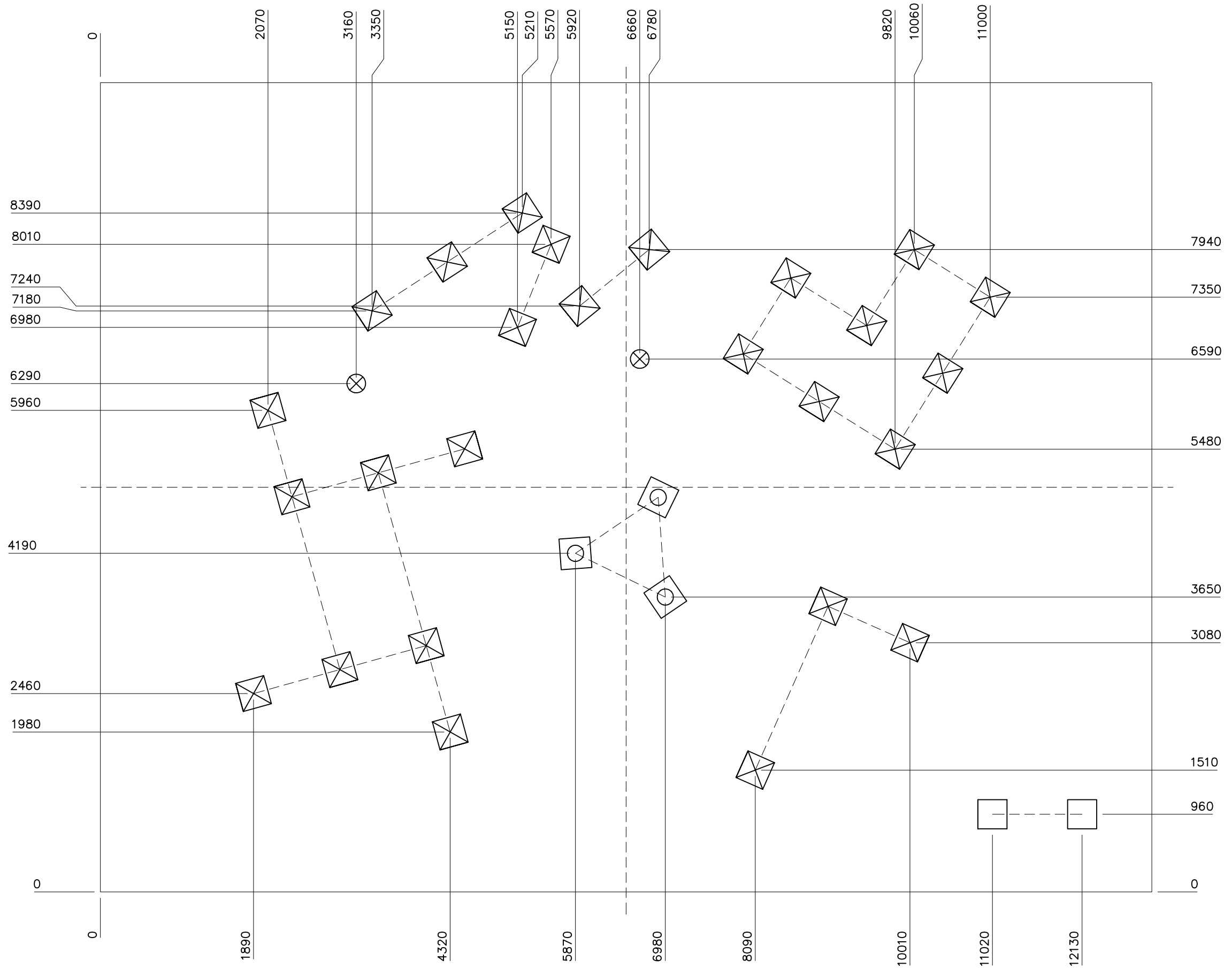
DATE: 16.3.2011



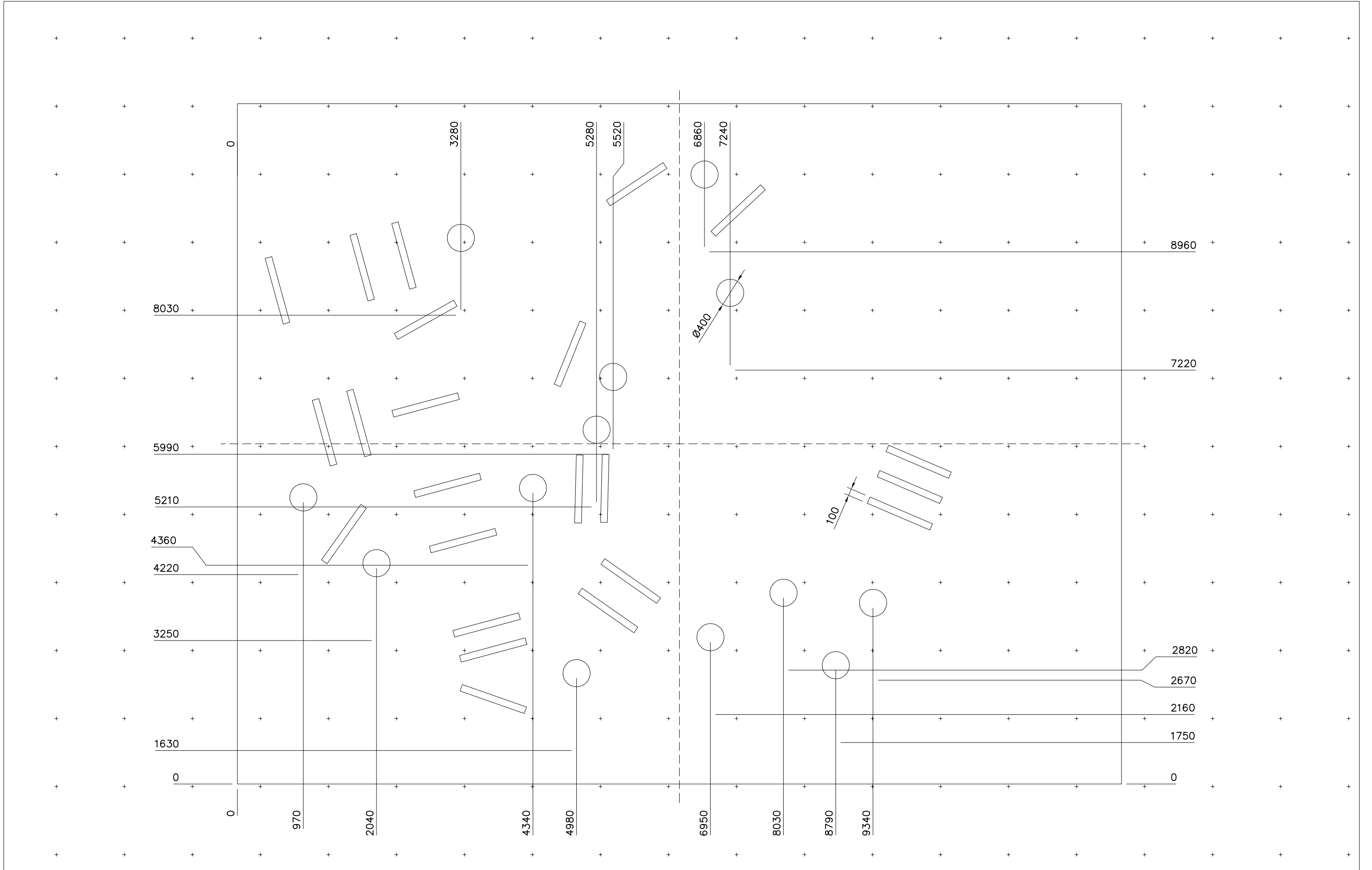


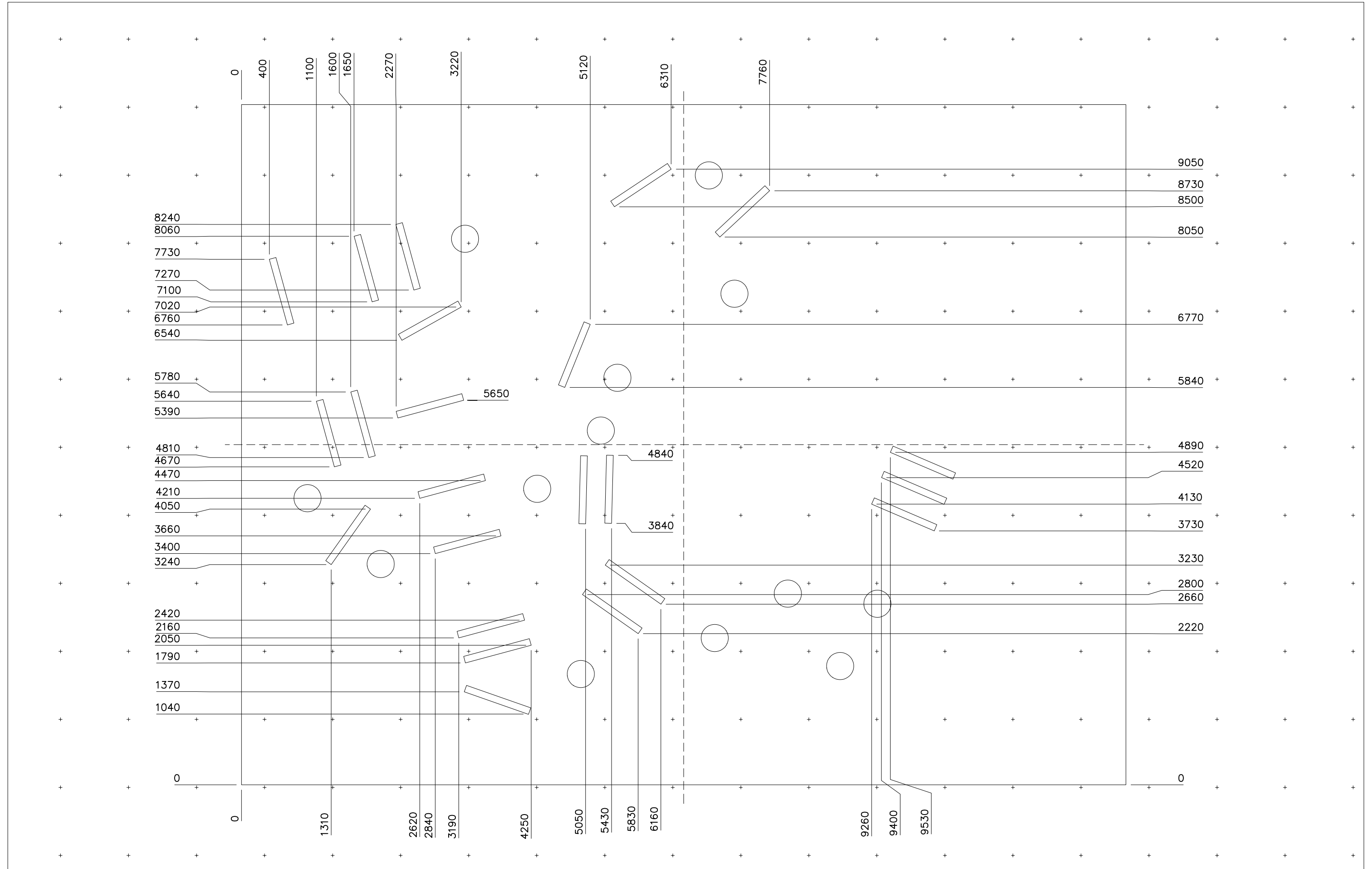
220591

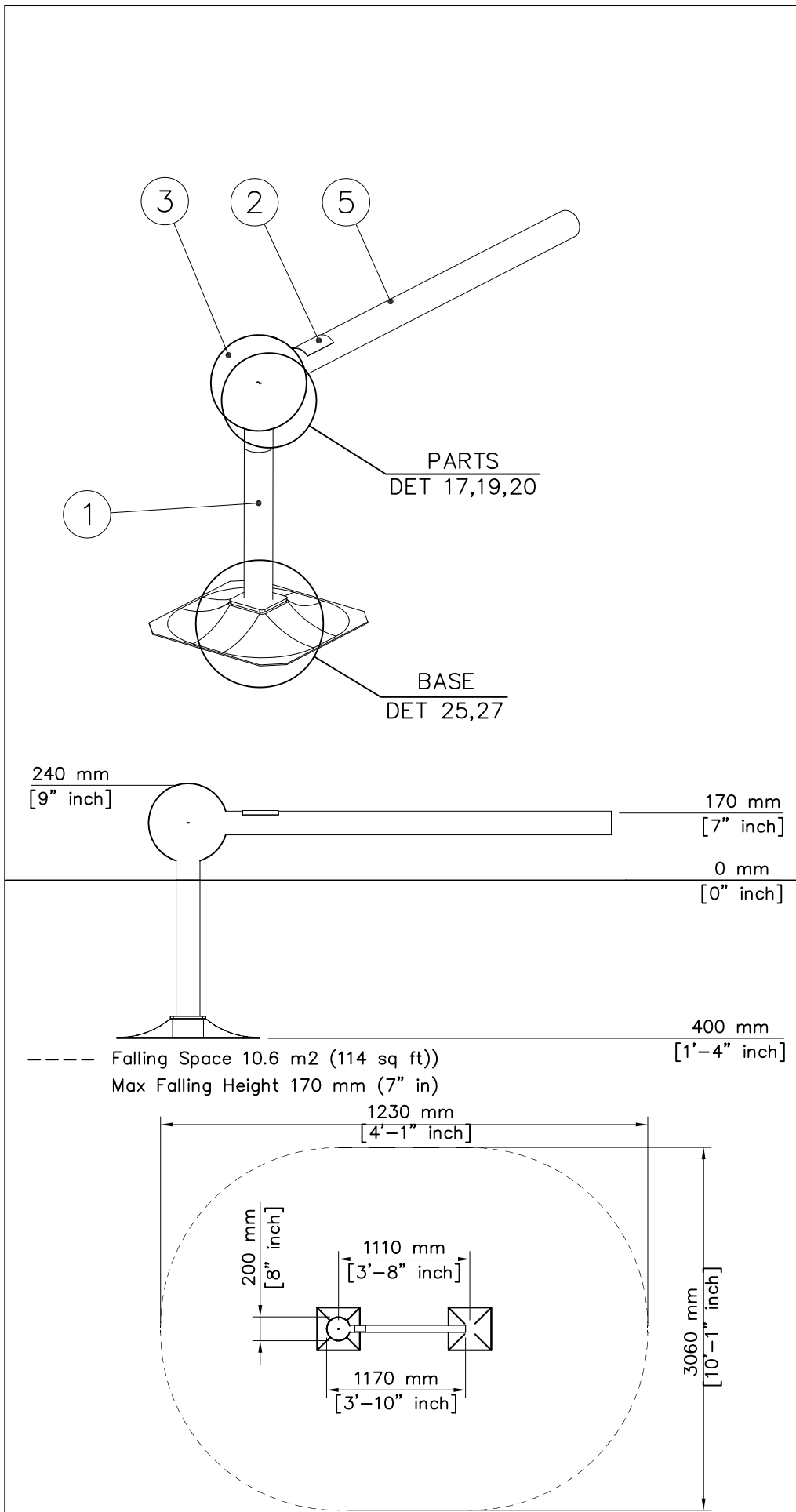
DATE: 16.3.2011

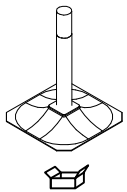
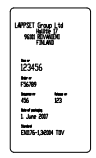
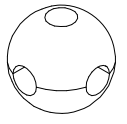
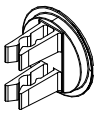
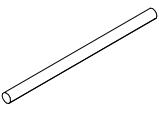


DATE: 16.3.2011

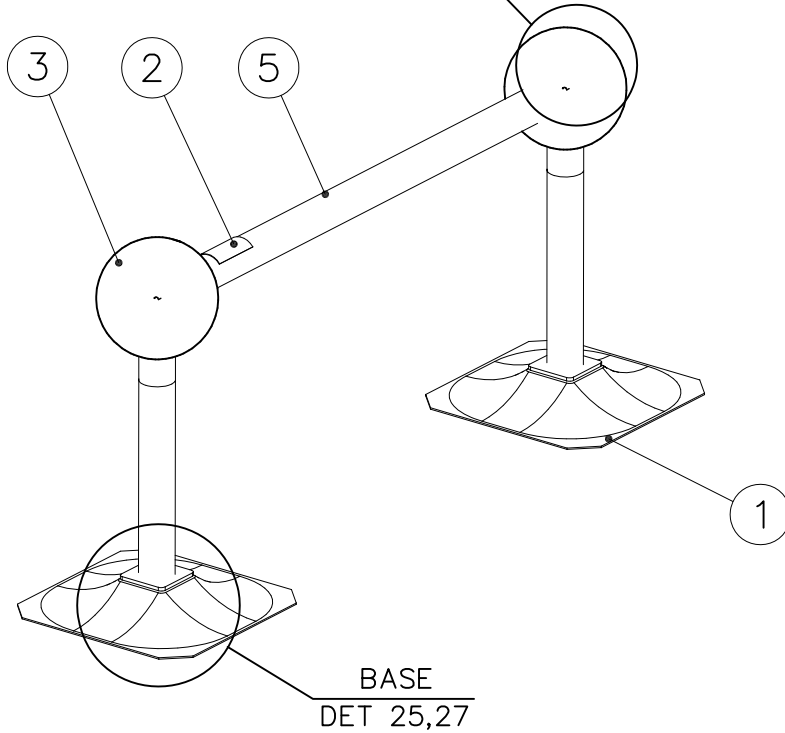


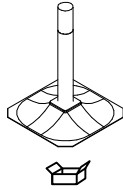

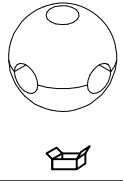

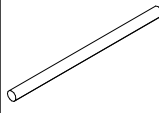


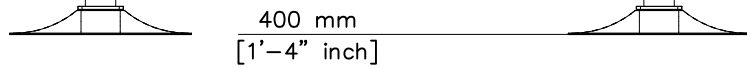
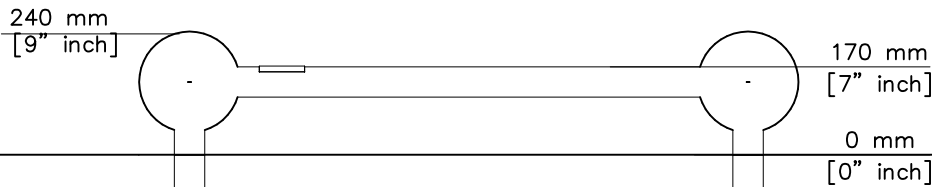


| | | | |
|---|-----|---|-----|
| ① 701985 | PCS | ② 702341 | PCS |
|  | 1 |  | 1 |
| | | 90x50 | |
| ③ 902134 | PCS | ④ 904747 | PCS |
|  | 1 |  | 4 |
| | | 60x60x2 | |
| ⑤ 902424 | PCS | | PCS |
|  | 1 | | |
| L 1034 | | | |
| | PCS | | PCS |
| | | | |
| | PCS | | PCS |
| | | | |
| | PCS | | PCS |
| | | | |
| | PCS | | PCS |
| | | | |

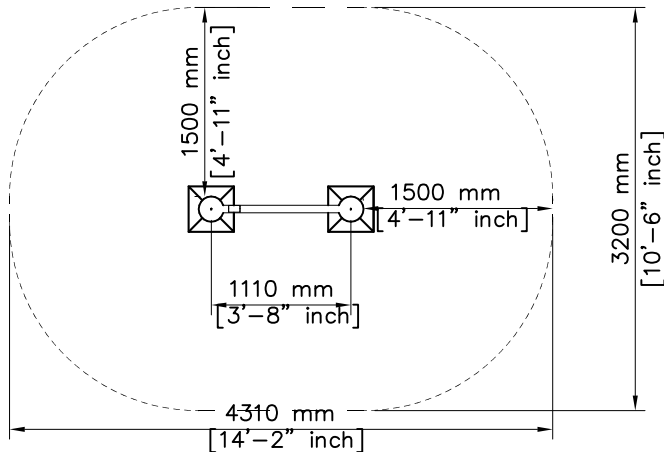
PARTS
DET 17,19,20

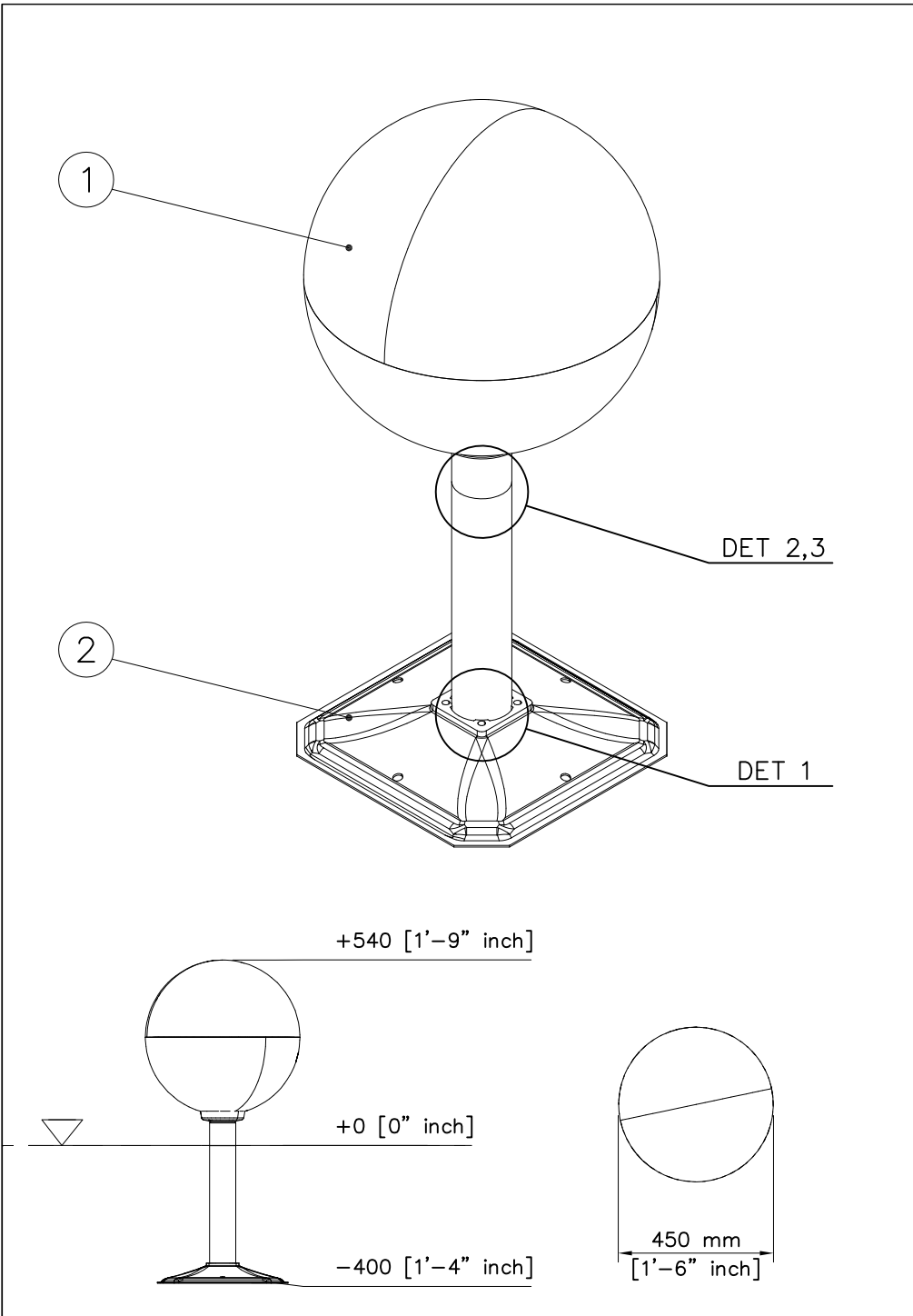


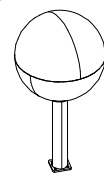
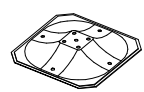

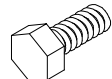
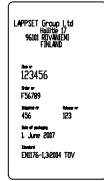
| | | | |
|---|-----|---|-----|
| ① 701985 | PCS | ② 702341 | PCS |
|  | 2 |  | 1 |
| | | 90x50 | |
| ③ 902134 | PCS | ④ 904747 | PCS |
|  | 2 |  | 8 |
| | | 60x60x2 | |
| ⑤ 902424 | PCS | | PCS |
|  | 1 | | |
| L 1034 | | | |
| | PCS | | PCS |
| | | | |
| | PCS | | PCS |
| | | | |
| | PCS | | PCS |
| | | | |
| | PCS | | PCS |
| | | | |

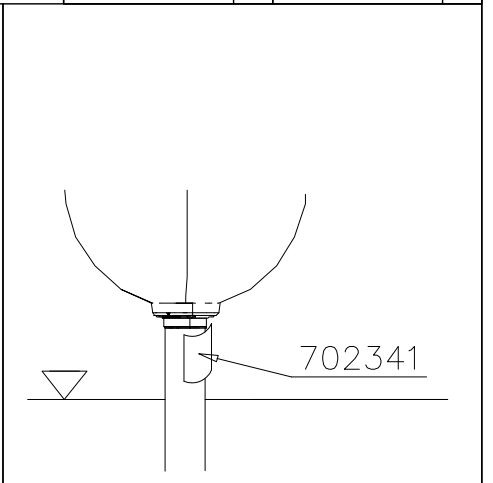
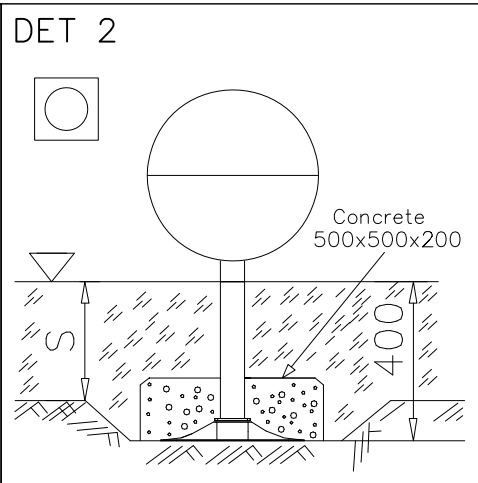
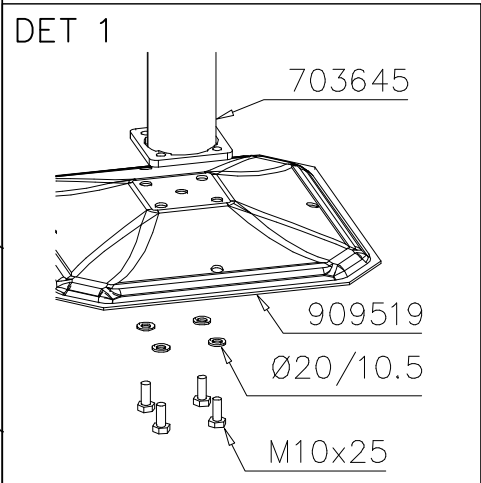


Falling Space 11.9 m² (128.4 sq ft)
Max Falling Height 170mm (7" in)

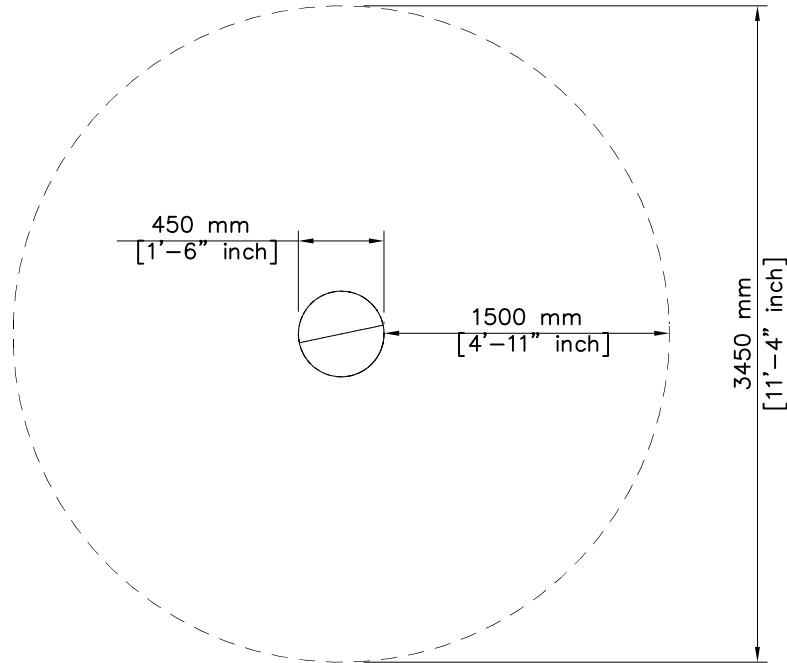
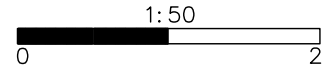




| | | | |
|---|-----|---|-----|
| ① 703645 | PCS | ② 909519 | PCS |
|  | 1 |  | 1 |
| | | 380x380 | |
| ③ 909638 | PCS | ④ 909639 | PCS |
|  | 4 |  | 4 |
| Ø20/10.5 | | M10x25 | |
| ⑤ 702341 | PCS | | PCS |
|  | 1 | | |
| | PCS | | PCS |
| | PCS | | PCS |
| | PCS | | PCS |



----- Falling Space 9.3 m² (100 sq ft)
Max Falling Height 540 mm (1'-9" in)



WINAM GROUP

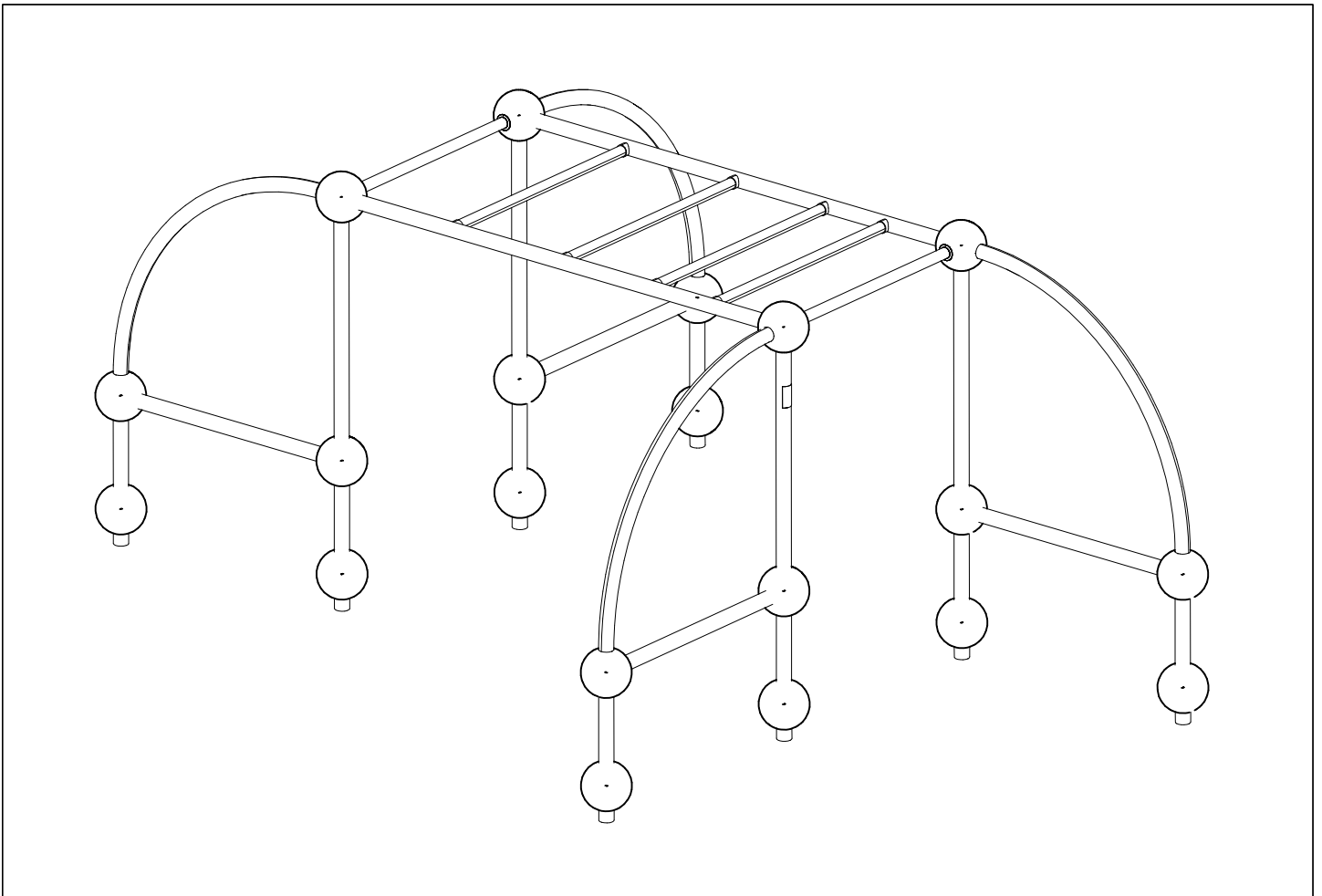
PARKOUR



ASENNUSOHJE
MONTERINGSANSVISNING
INSTALLATION INSTRUCTION
AUFBAUANLEITUNG
NOTICE D'INSTALLATION

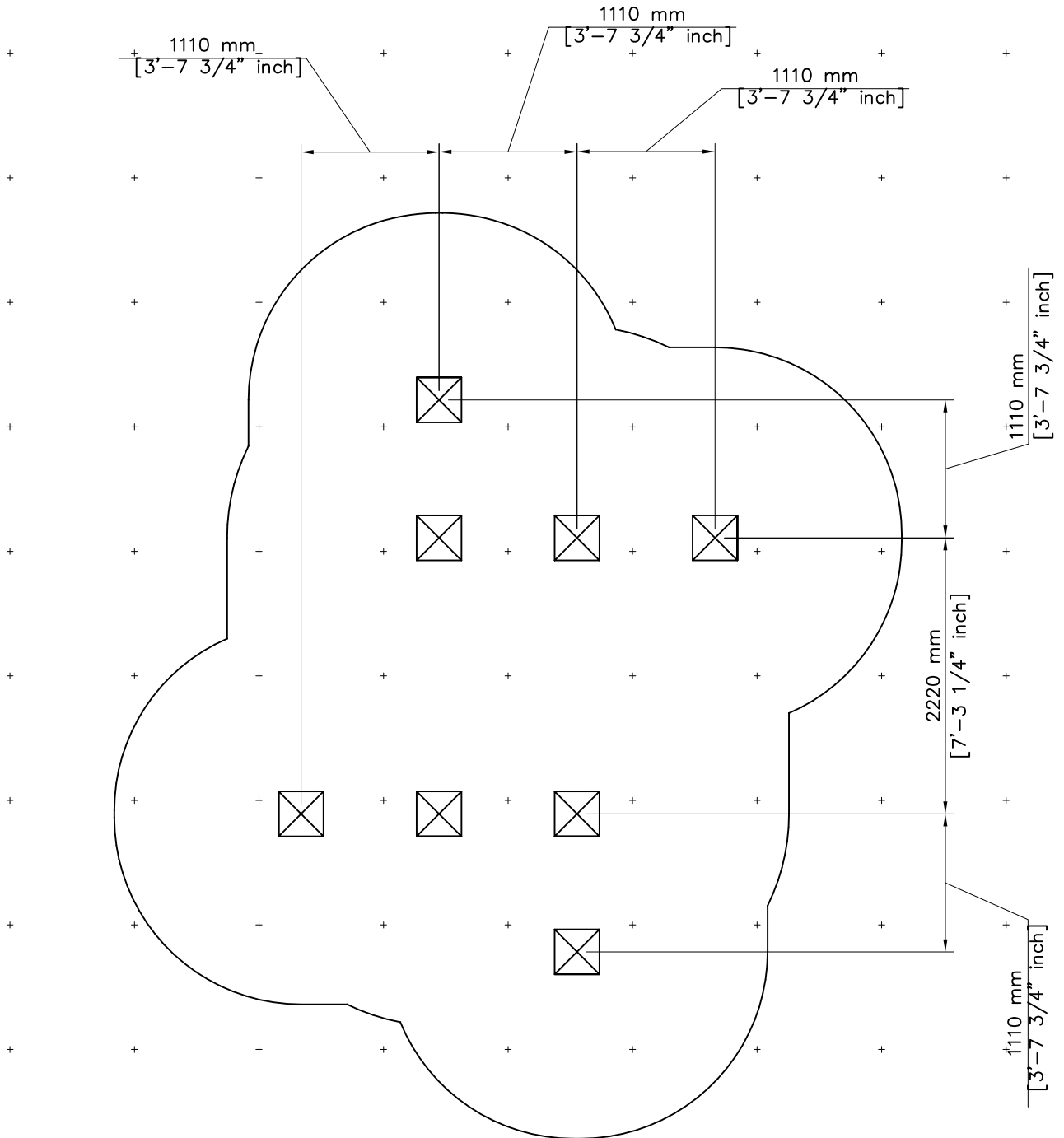
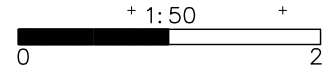
DATE: 20.2.2015

220510

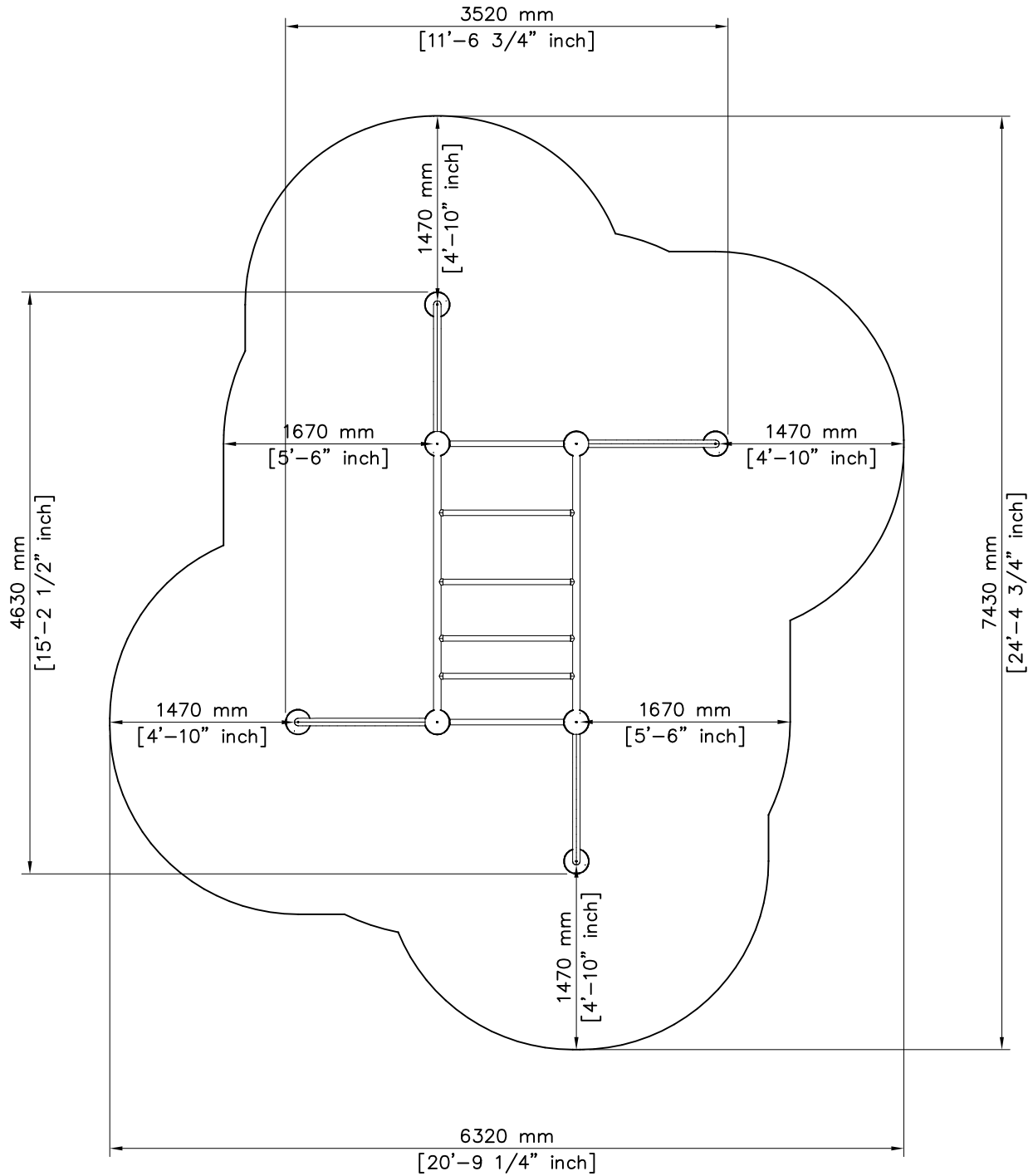
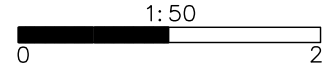


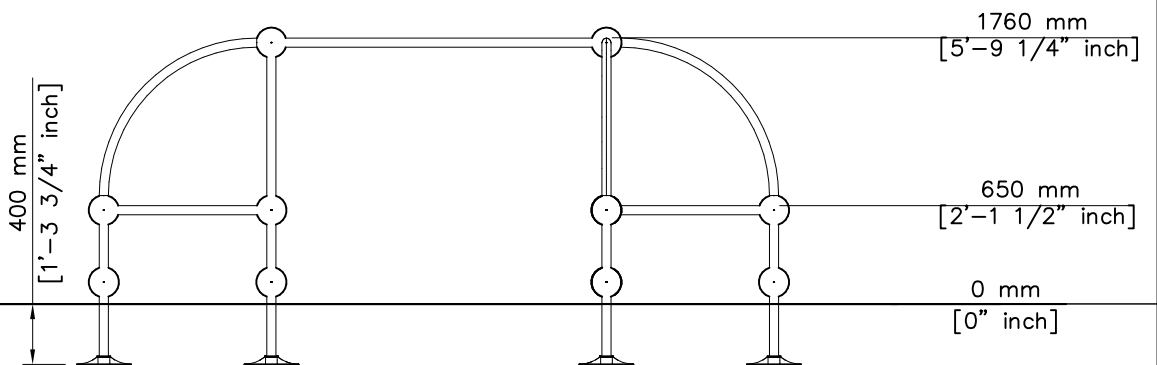
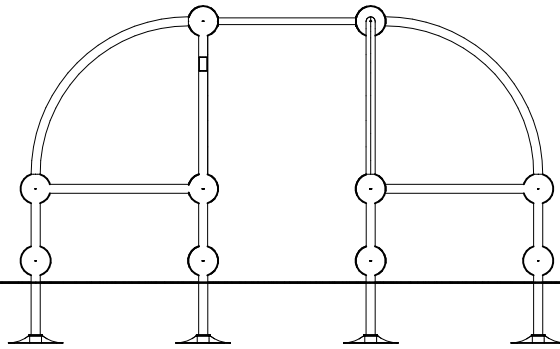
EN/AS Impact Area 31.9 m² (344 sq ft)

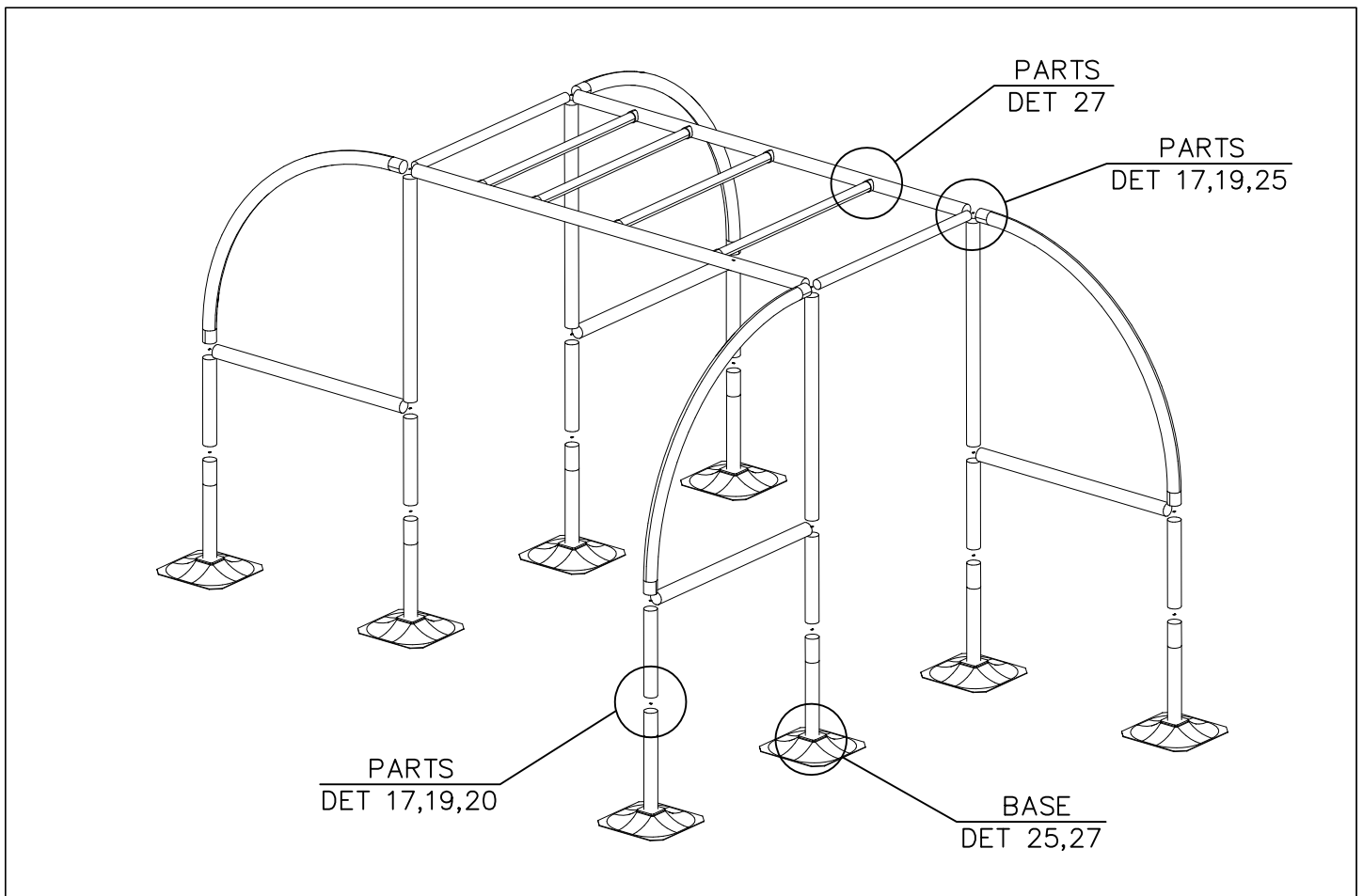
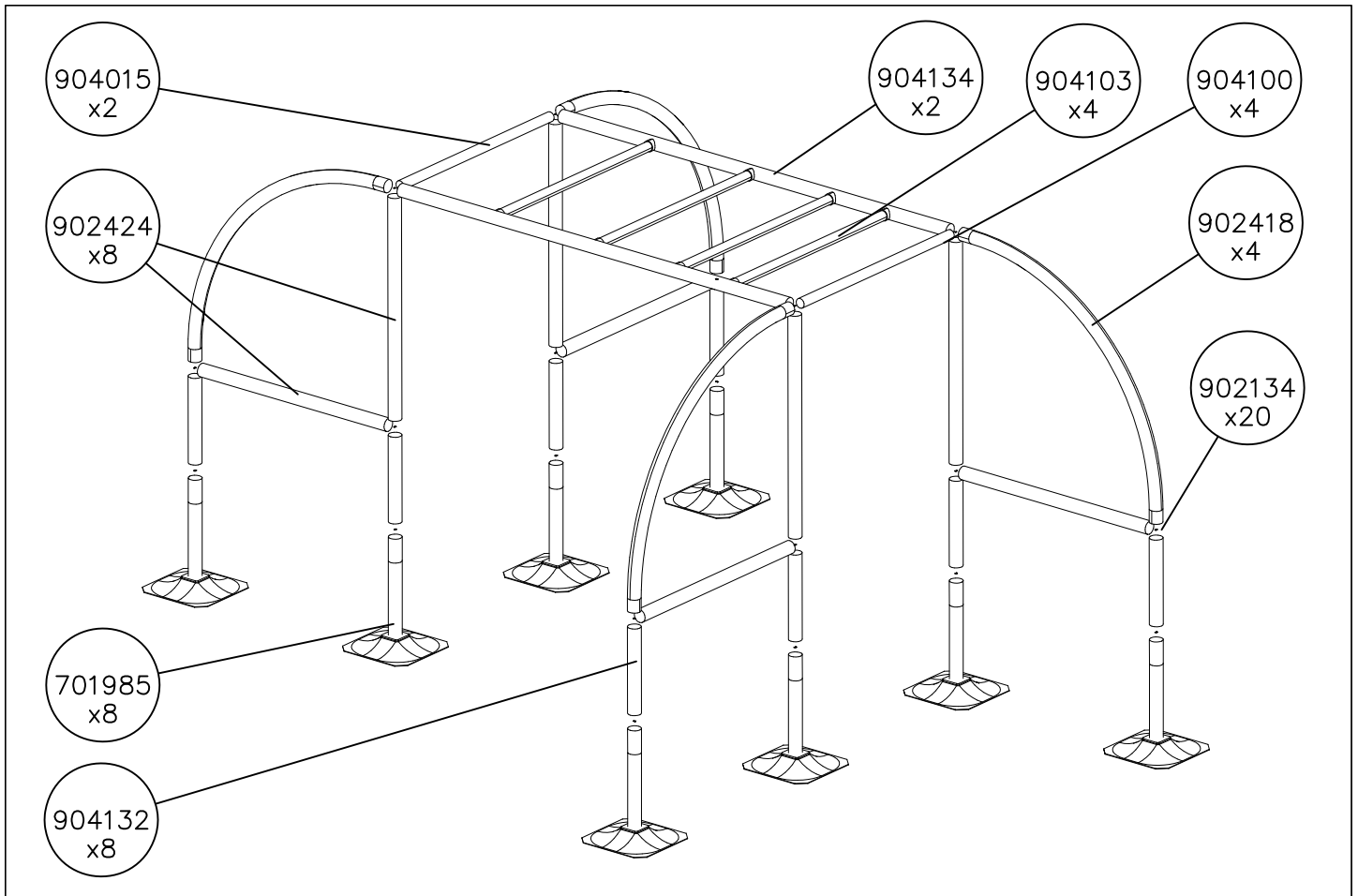
Grid Size 1000 mm (40" in)

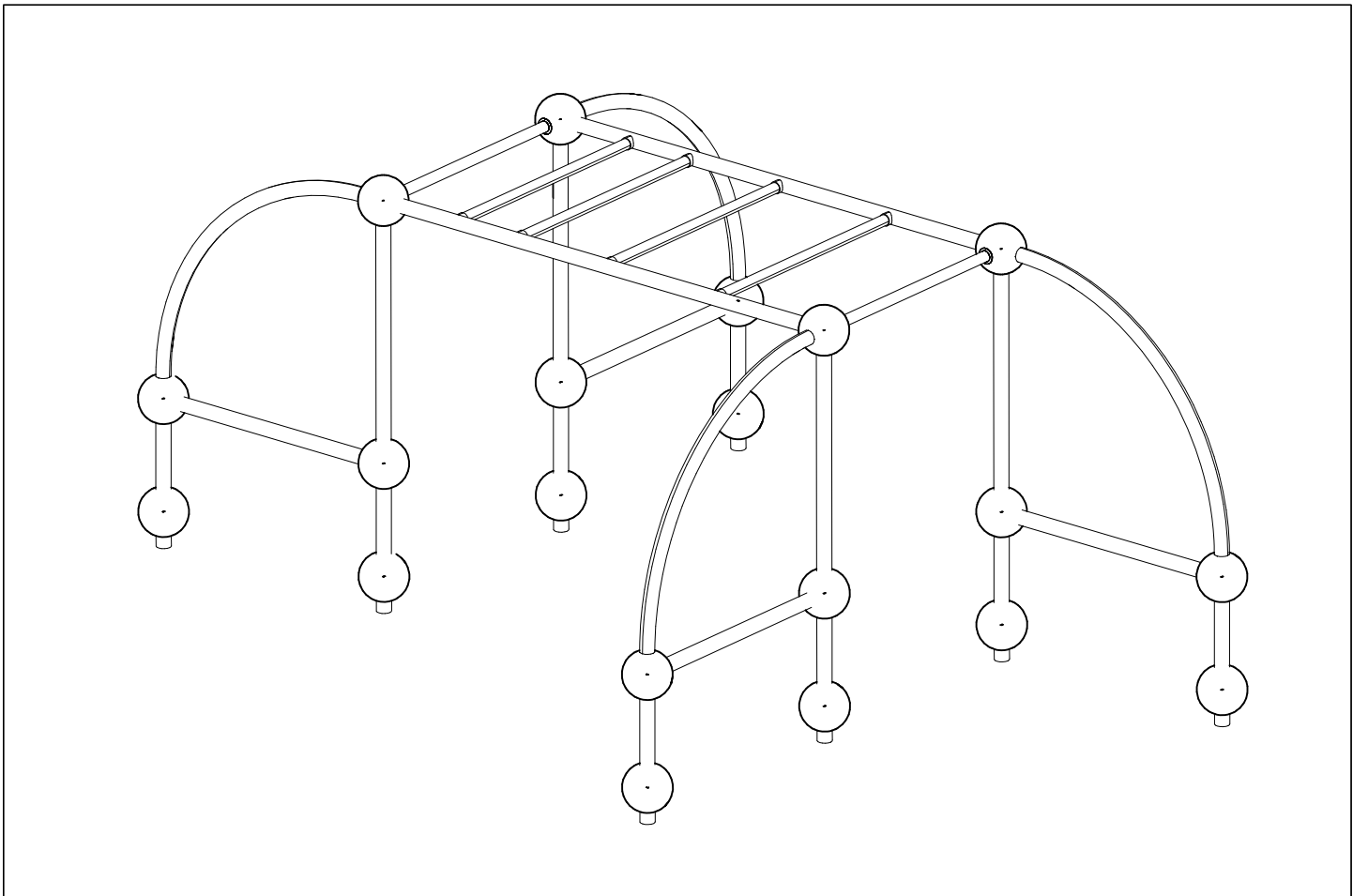
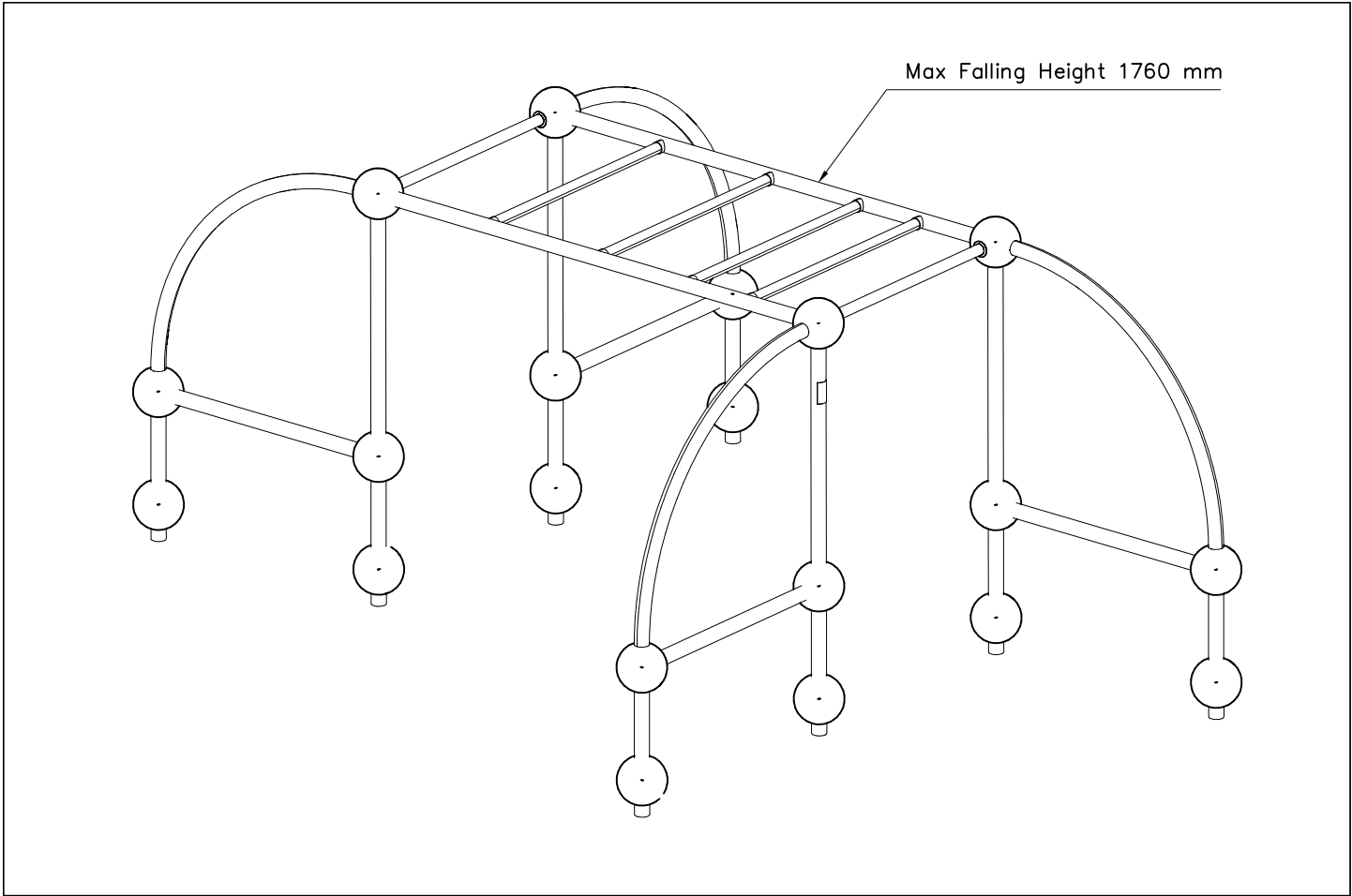


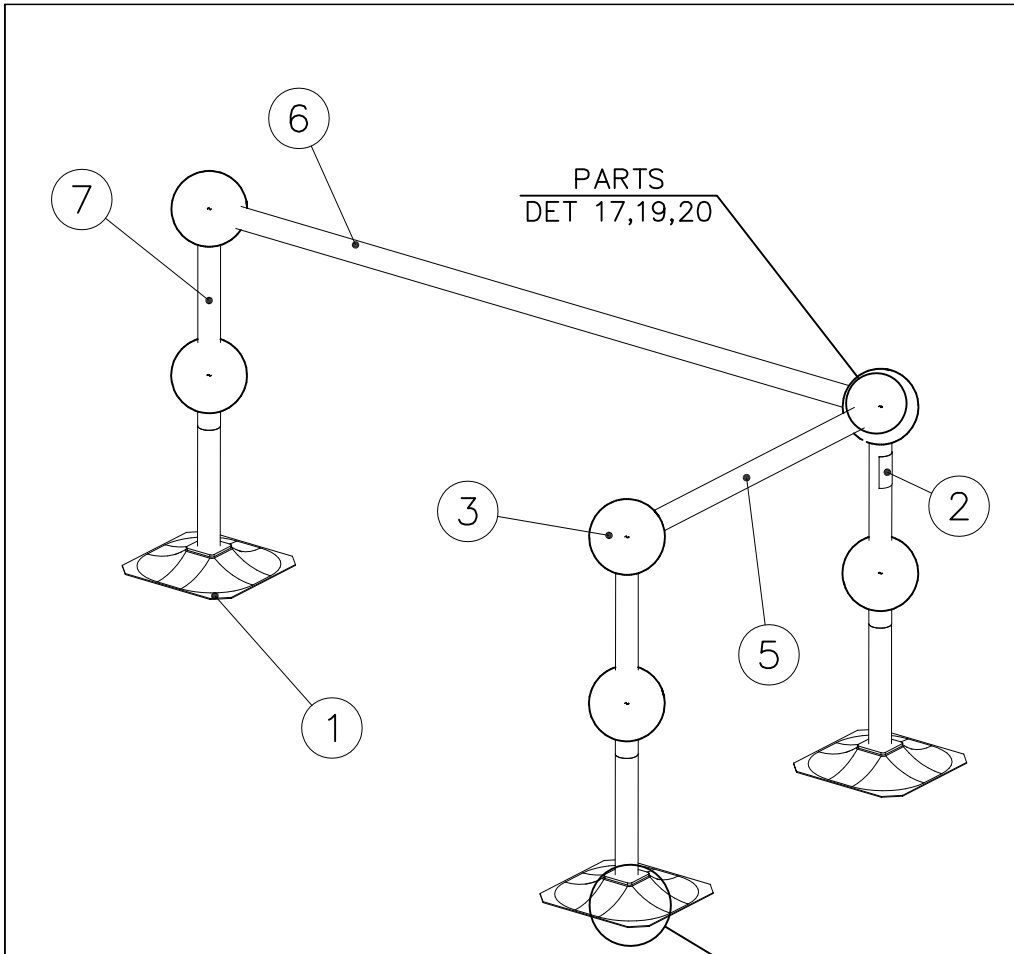
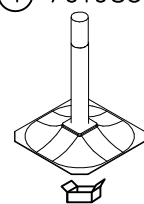
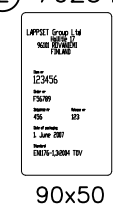
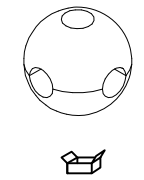
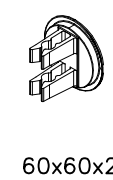
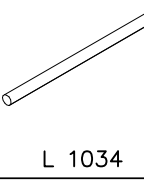
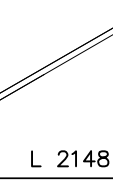
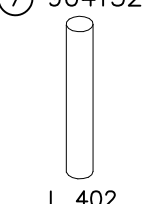
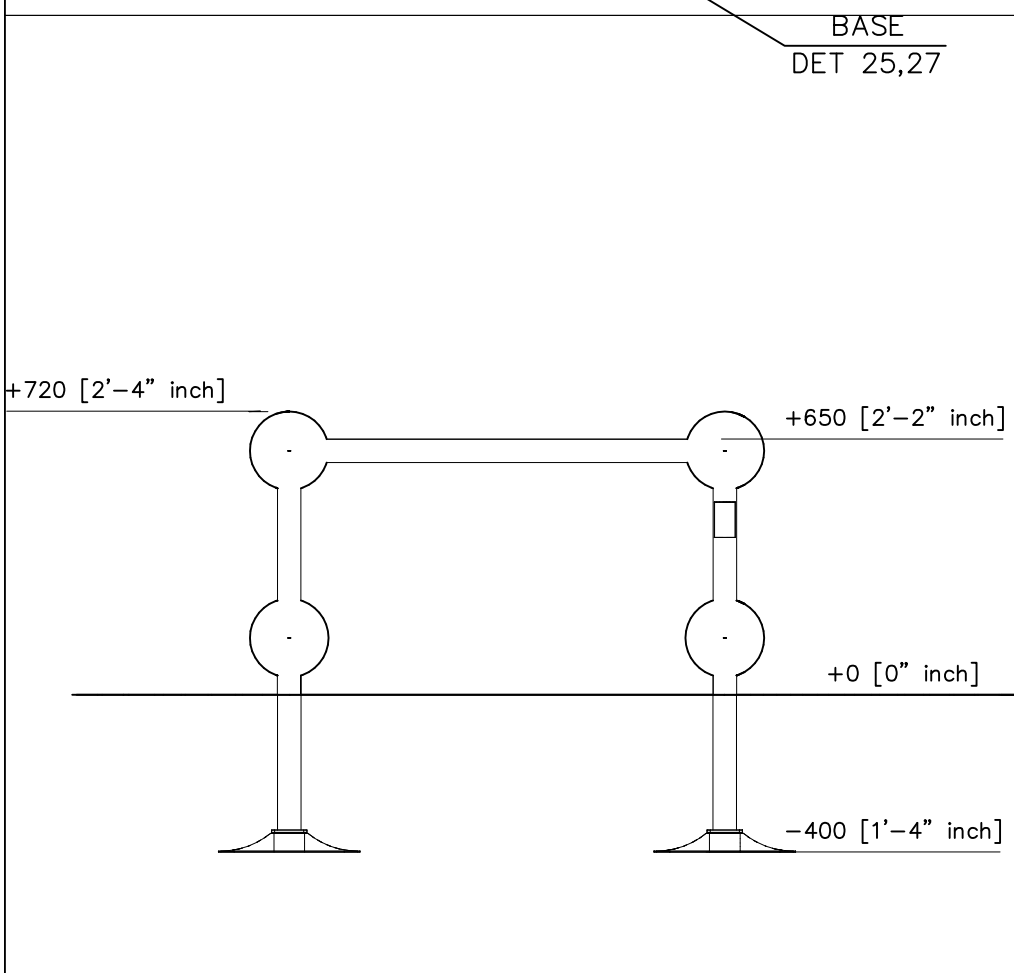
EN/AS Impact Area 31.9 m² (344 sq ft)
Falling Space Area 31.9 m² (344 sq ft)
Max Falling Height 1760 mm (5'-9 1/4" in)





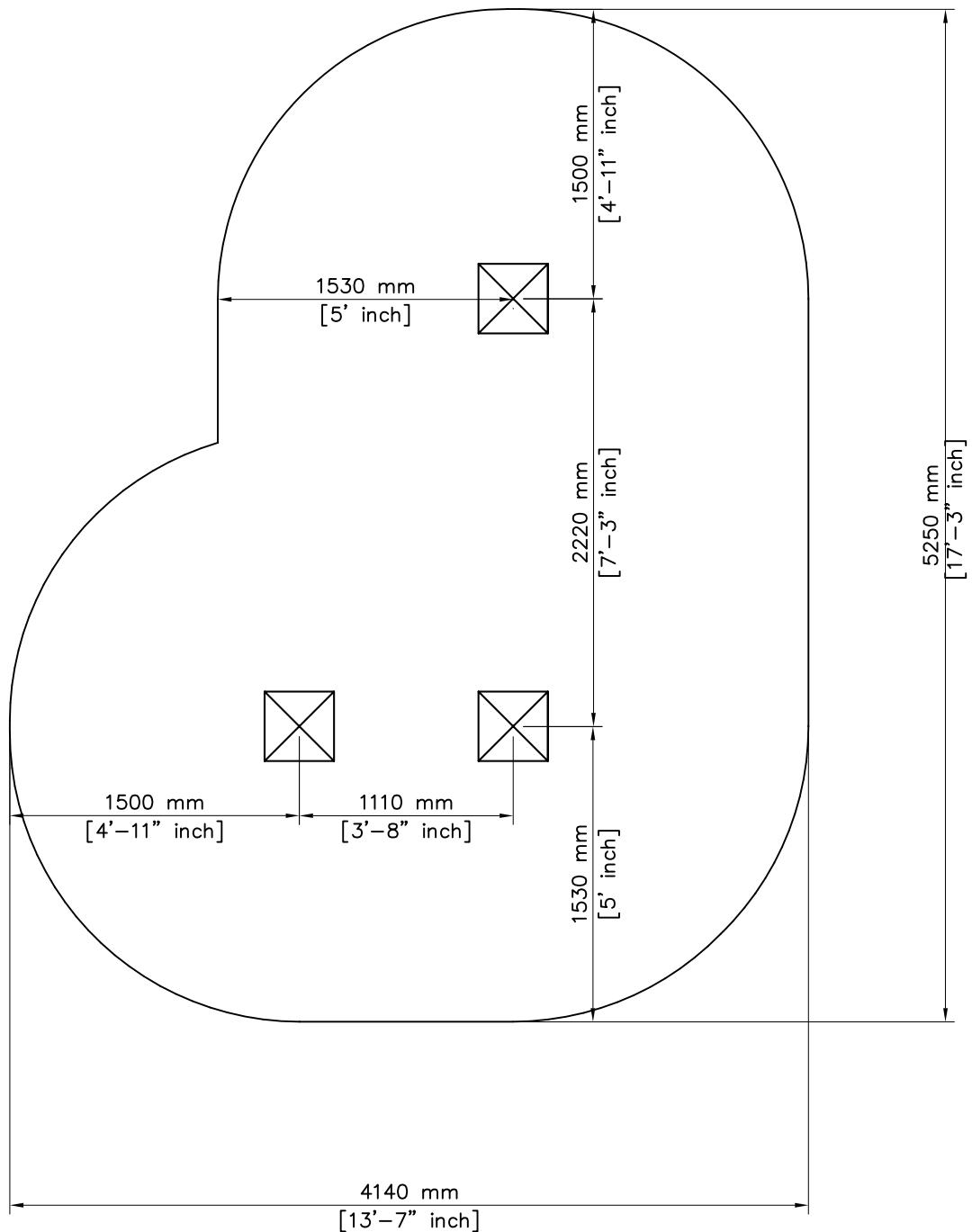




| | | | |
|--|---|---|-----|
|  <p>PARTS DET 17,19,20</p> <p>BASE DET 25,27</p> | <p>① 701985 PCS</p>  <p>3</p> | <p>② 702341 PCS</p>  <p>1</p> | |
| | <p>③ 902134 PCS</p>  <p>6</p> | <p>④ 902157 PCS</p>  <p>23</p> | |
| | <p>⑤ 902424 PCS</p>  <p>L 1034</p> | <p>⑥ 904130 PCS</p>  <p>L 2148</p> | |
| | <p>⑦ 904132 PCS</p>  <p>L 402</p> | | |
| | | PCS | PCS |
| | | PCS | PCS |
| | | PCS | PCS |
| <p>+720 [2'-4" inch]</p>  <p>+650 [2'-2" inch]</p> <p>+0 [0" inch]</p> <p>-400 [1'-4" inch]</p> | | | |

EN Impact Area 16.9 m² (182 sq ft)

Max Falling Height 650 mm (2'-2" in)



WINAM GROUP

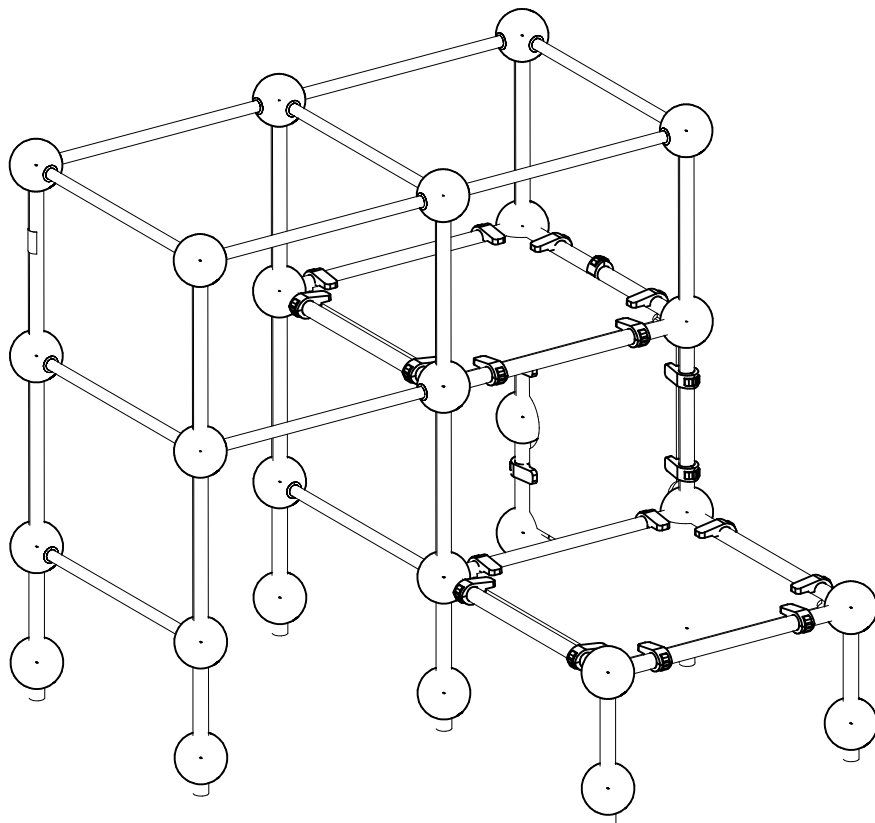
PARKOUR

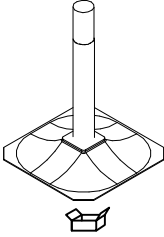

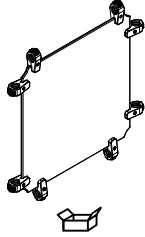
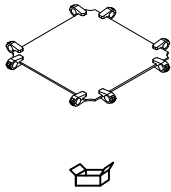
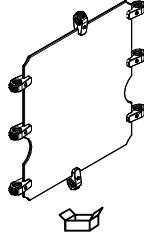

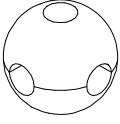
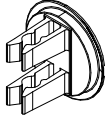
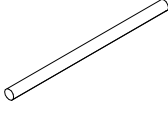
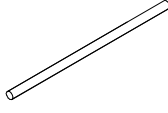
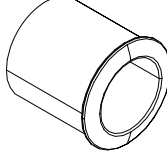
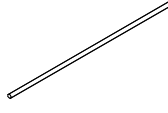



ASENNUSOHJE
MONTERINGSANSVISNING
INSTALLATION INSTRUCTION
AUFBAUANLEITUNG
NOTICE D'INSTALLATION

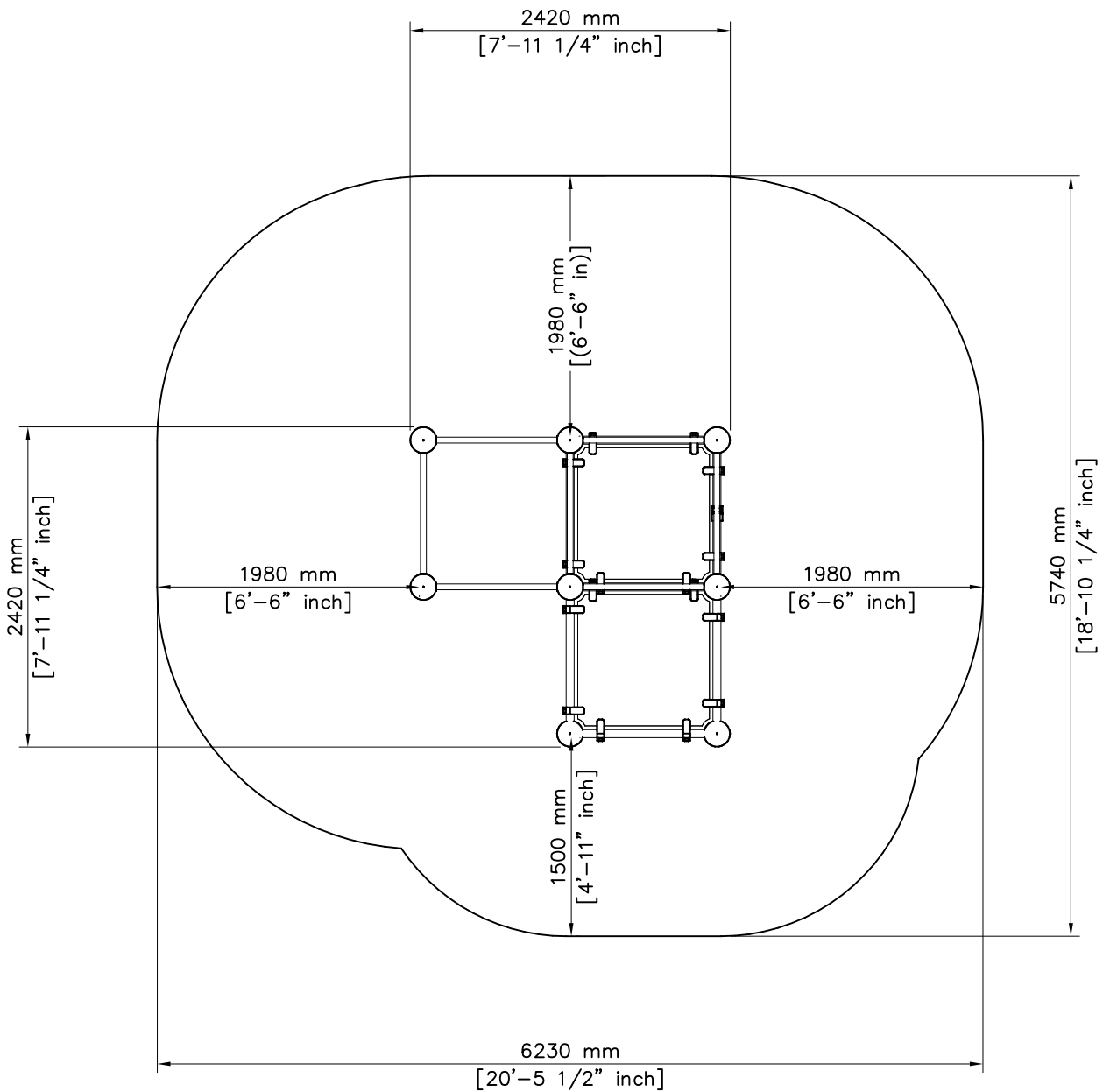
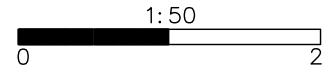
DATE: 23.2.2015

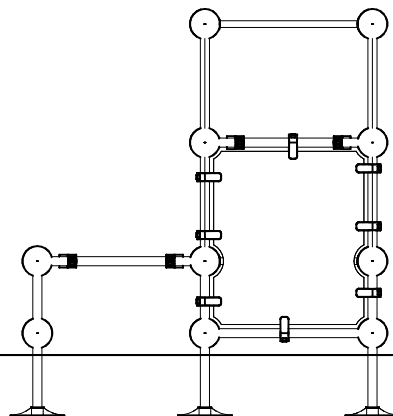
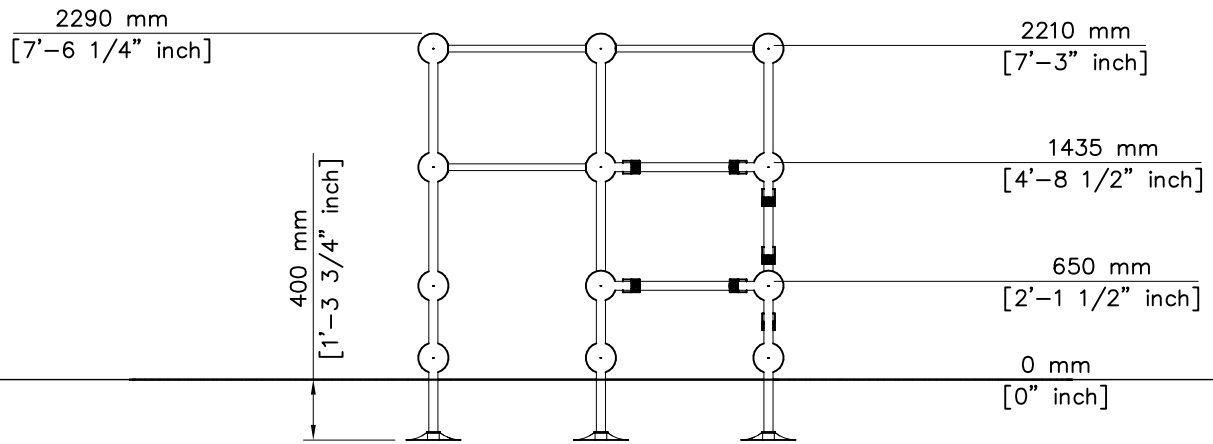
220520

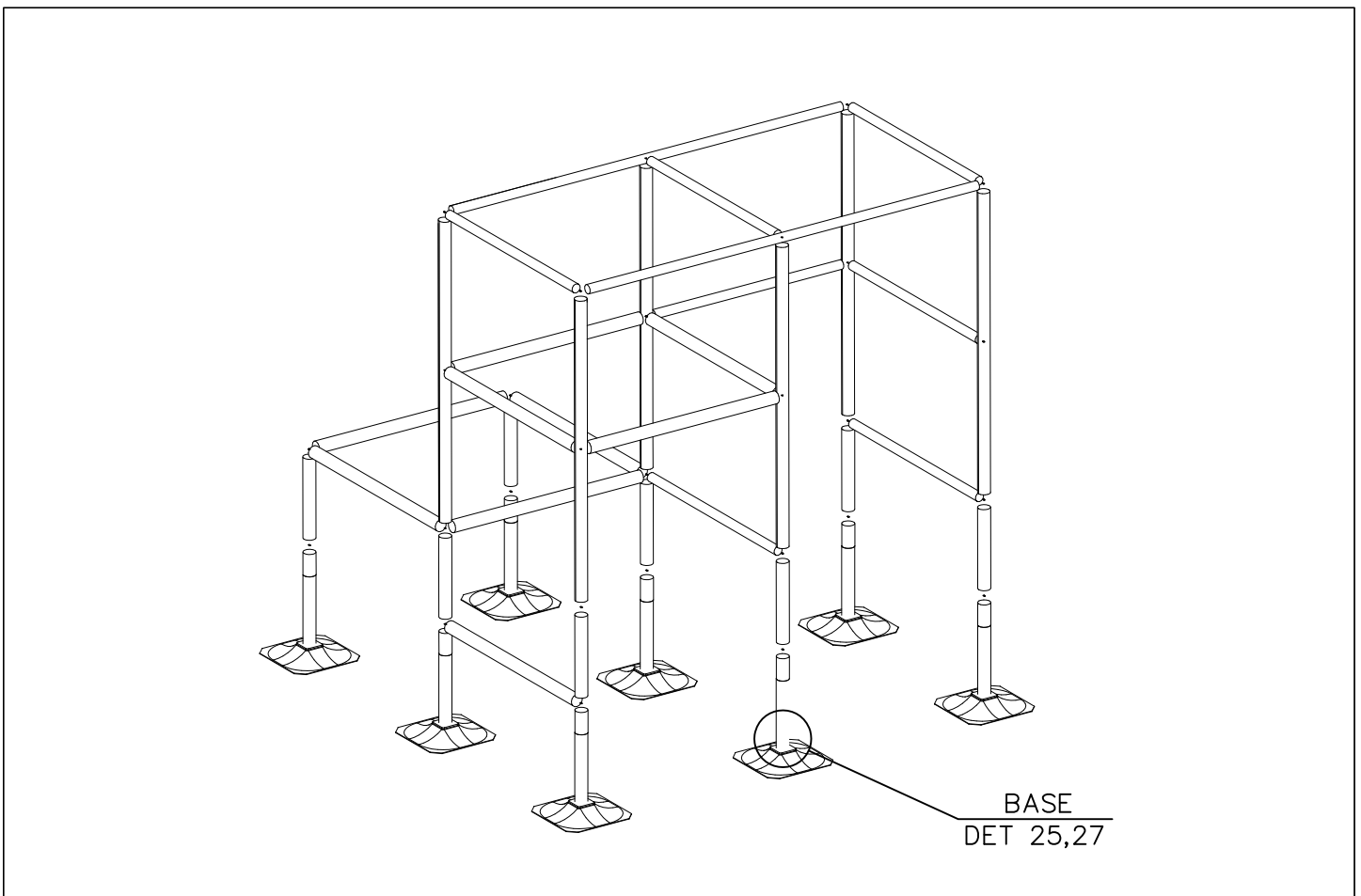
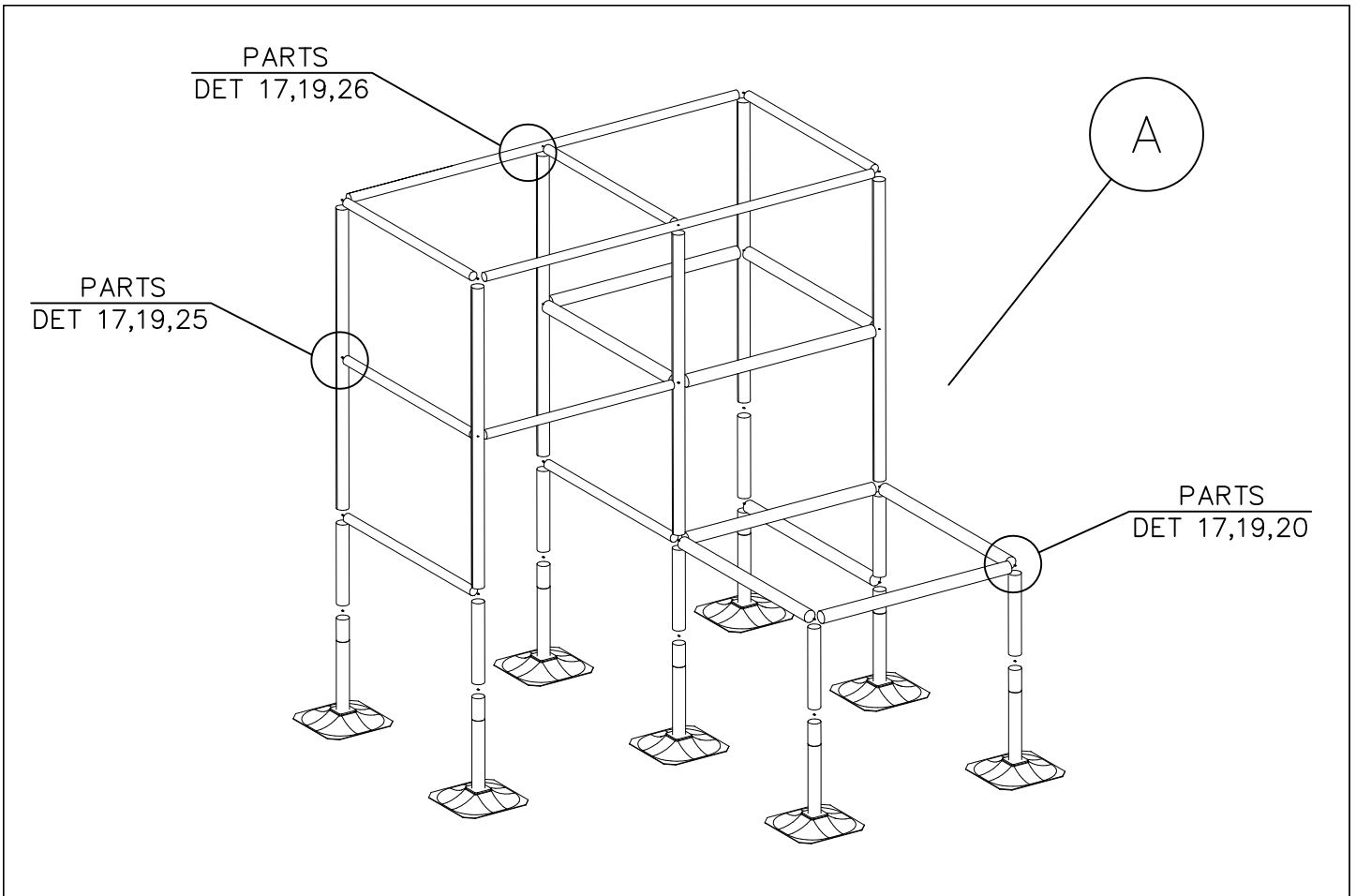


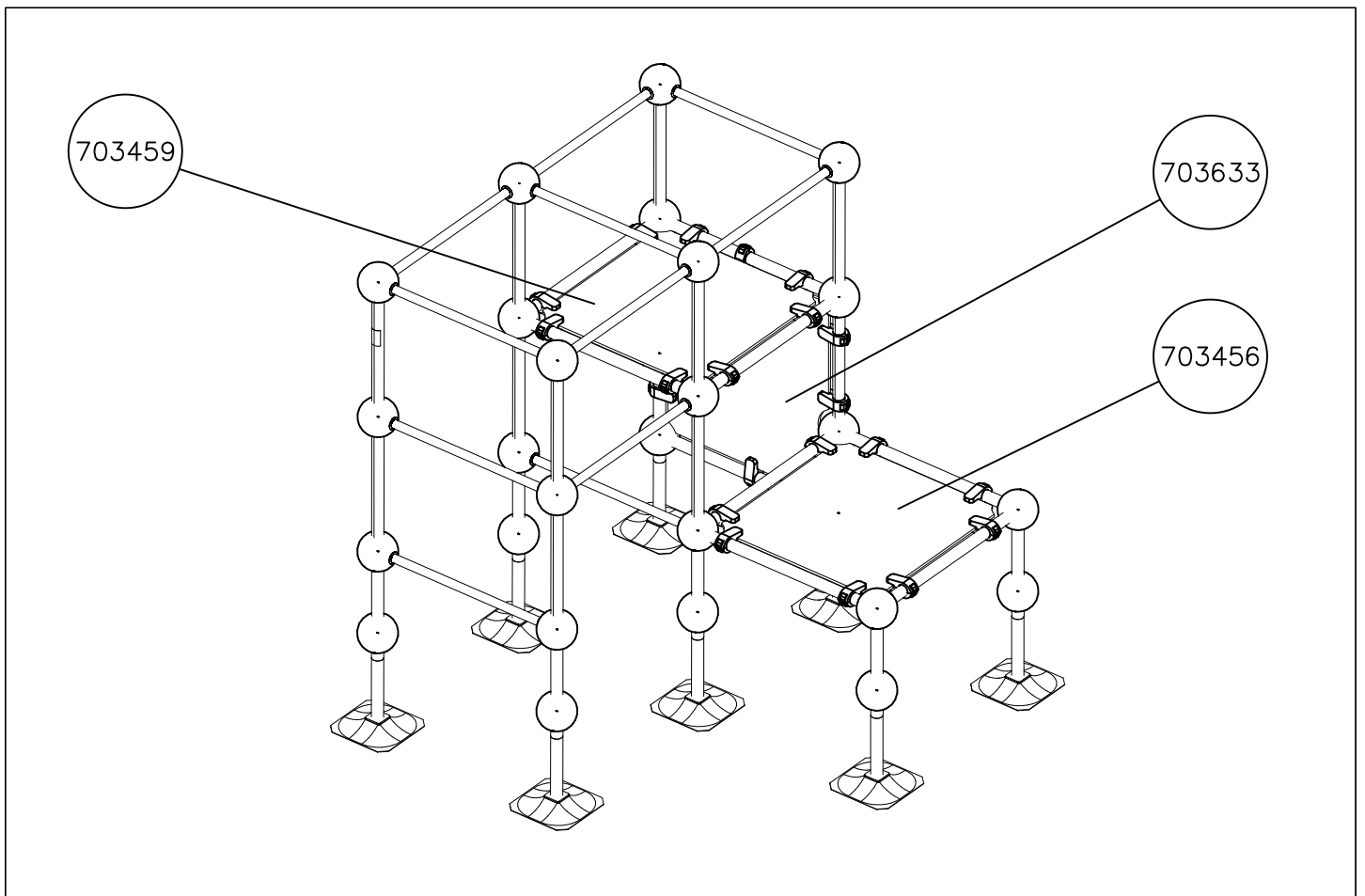
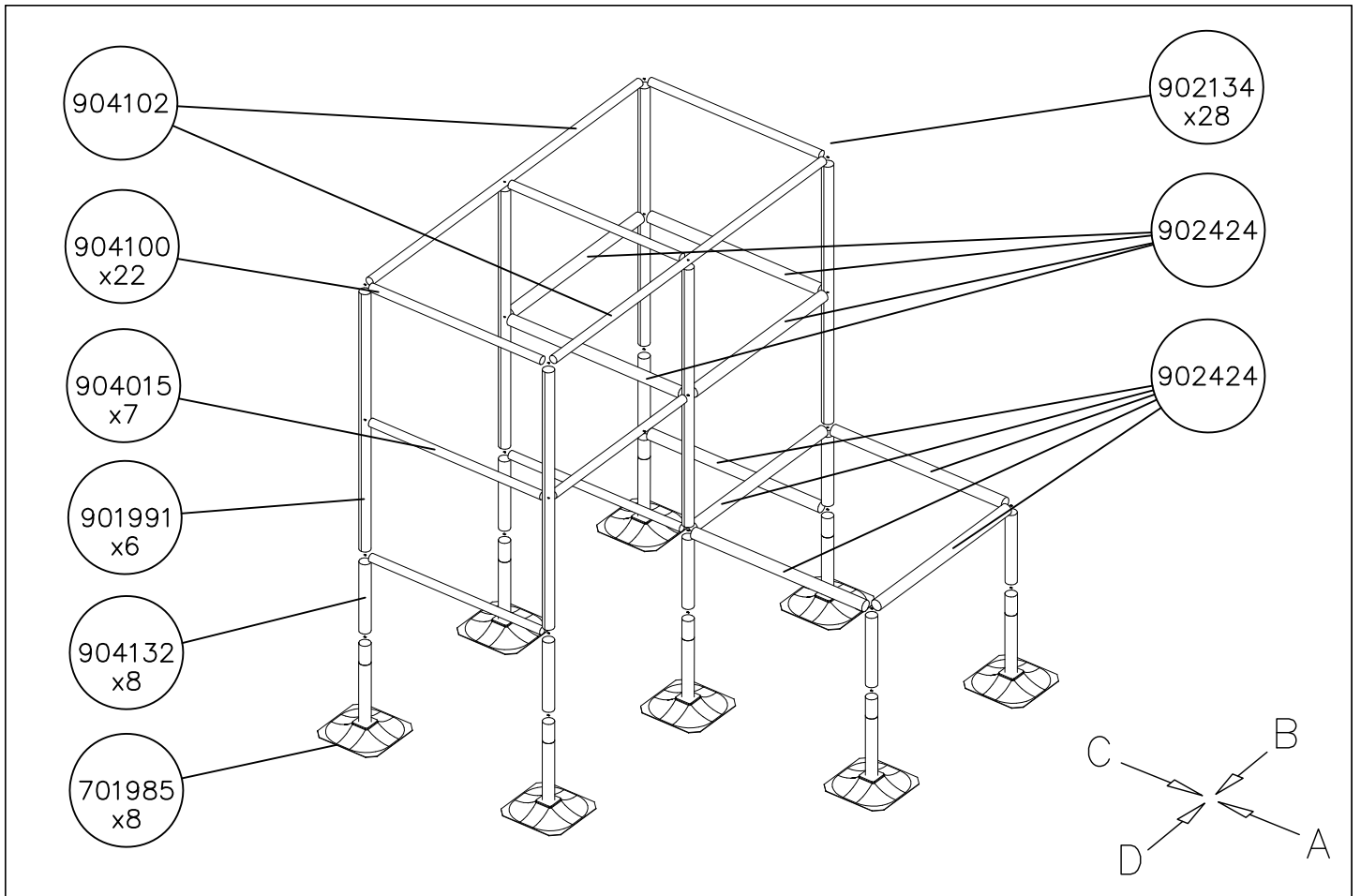
| | | | | | |
|--|--|--|--|--|--|
| <p>701985</p>  <p>PCS 8</p> | <p>702341</p>  <p>PCS 1</p> <p>90x50</p> | <p>703456</p>  <p>PCS 1</p> | <p>703459</p>  <p>PCS 1</p> | <p>703632</p>  <p>PCS 1</p> | <p>901991</p>  <p>PCS 6</p> <p>L 1493</p> |
| <p>902134</p>  <p>PCS 28</p> | <p>904747</p>  <p>PCS 83</p> <p>60x60x2</p> | <p>902424</p>  <p>PCS 9</p> <p>L 1034</p> | <p>904015</p>  <p>PCS 7</p> <p>Ø44.5x1034</p> | <p>904100</p>  <p>PCS 22</p> <p>44.5-60.3</p> | <p>904102</p>  <p>PCS 2</p> <p>Ø44.5x2148</p> |
| <p>904132</p>  <p>PCS 8</p> <p>L 402</p> | | | | | |
| | | | | | |
| | | | | | |
| | | | | | |
| | | | | | |

EN/AS Impact Area 30.4 m² (327 sq ft)
Falling Space Area 30.4 m² (327 sq ft)
Max Falling Height 2210 mm (7'-3" in)



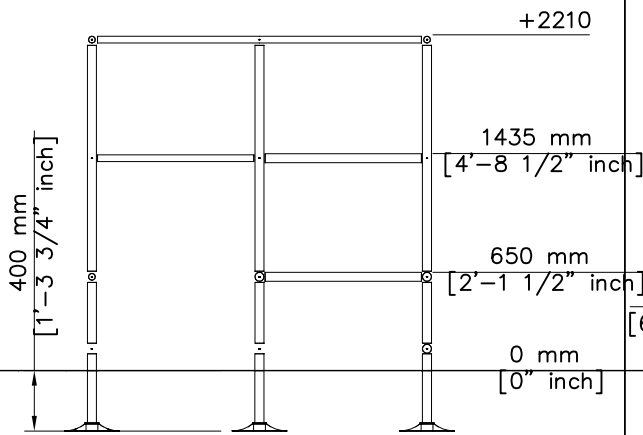




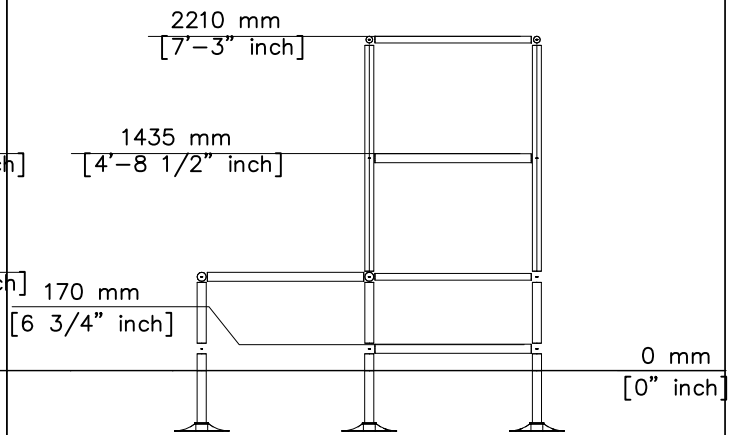


1:50

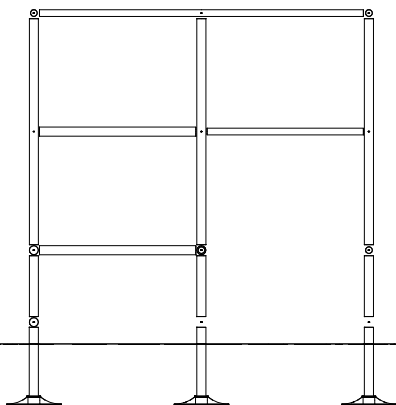
A



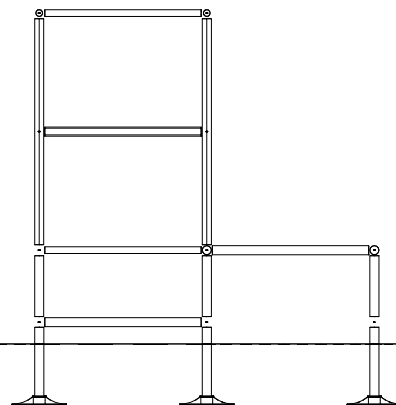
B

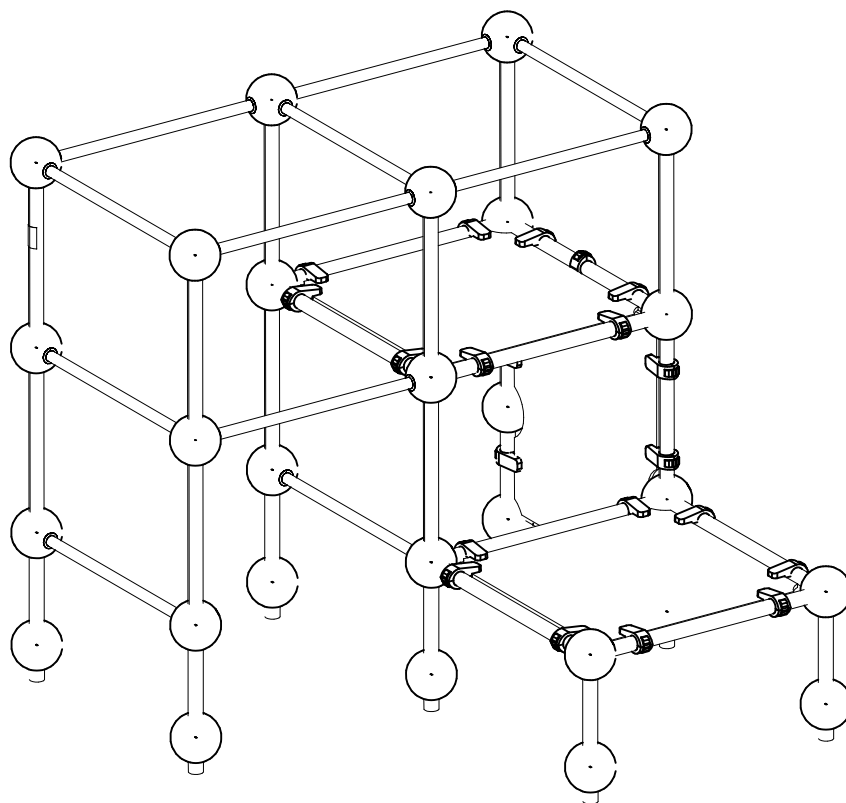


C

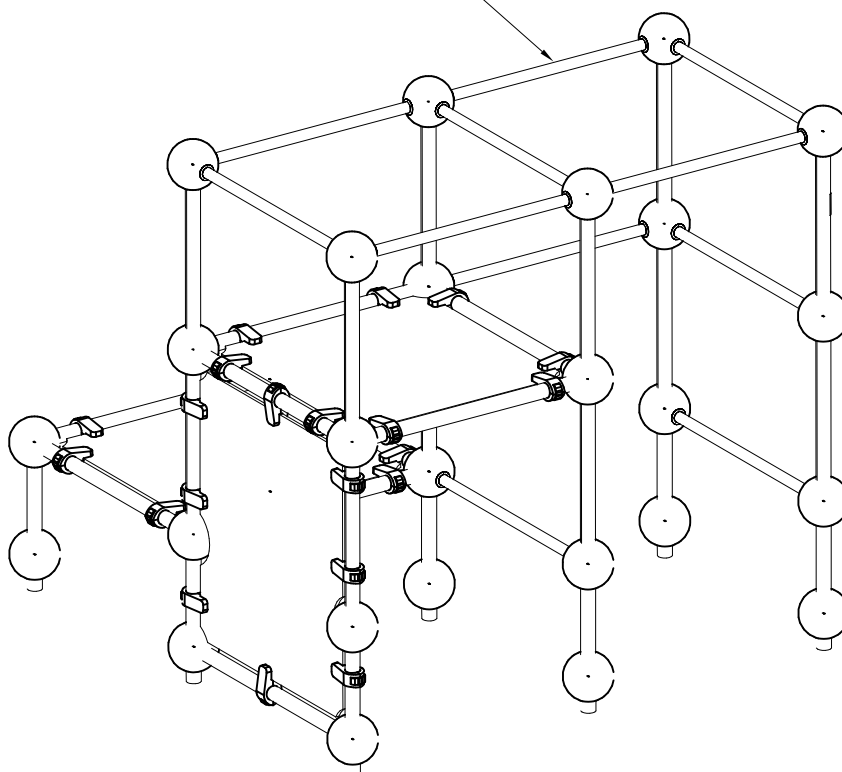


D





Max Falling Height 2210 mm



WINAM GROUP PARKOUR

220590

DATE: 24.5.2018



| | | |
|--|--|---|
| | 1 702341 PCS 90x50 | 2 704599 PCS 8x STICKERS 90x50 |
| | 3 902134 PCS 2 | 4 902157 PCS 8 60x60x2 |
| | 5 902424 PCS 1 L 1034 | 6 904130 PCS 2 L 2148 |
| | 7 902124 PCS 12 150x50x50 | 8 980161 PCS 12 M10 |
| | 9 902232 PCS 6 M10x55 | 10 902233 PCS 6 M10x30 |
| | 11 704829 PCS 1 15x913x993 | 13 909855 PCS 8 M8x35 |
| | 14 909256 PCS 8 Ø16/8.4x1.6 | 15 909633 PCS 8 M8 |
| | 16 909873 PCS 8 M8x40 | 17 704855-704866 PCS 1 NOT INCLUDED 8x560x640 |

WINAM GROUP

PARKOUR

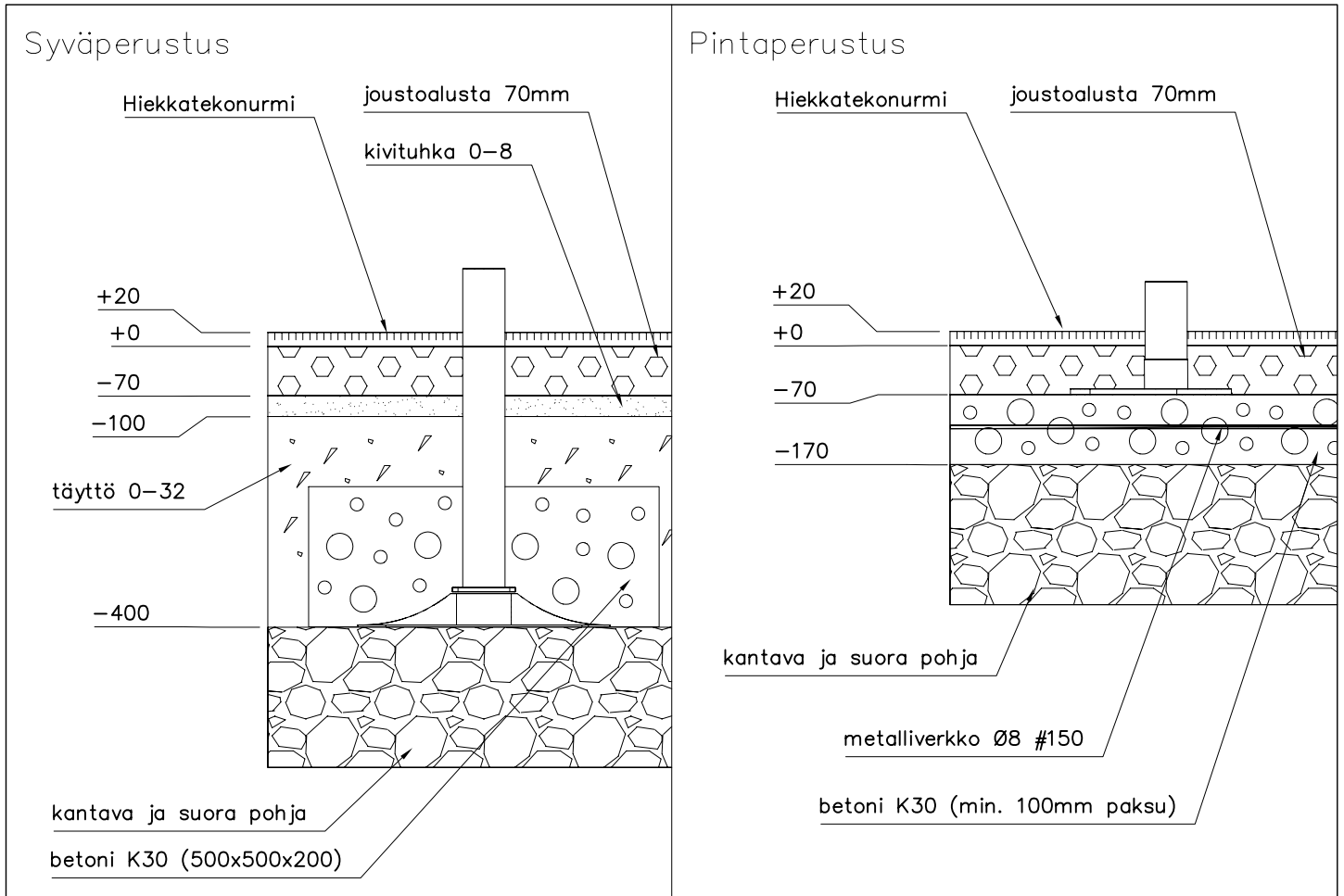
220590

DATE: 24.5.2018



| | | |
|---|--|---|
| <p>DET 1</p> <p>RIBBED BAR $\varnothing 8 \times 300$</p> | <p>DET 2</p> <p>Concrete 500x500x200</p> <p>R100</p> <p>400</p> | <p>DET 3</p> <p>M10x55</p> <p>M10</p> <p>902124</p> <p>M10x30</p> |
| <p>DET 4</p> <p>M10x55</p> <p>M10x30</p> <p>902124</p> <p>M10</p> | <p>DET 5</p> <p>NOTE: Various signs.</p> <p>HUOM: Useita erilaisia kylttejä.</p> <p>M8x35 (909855)</p> <p>$\varnothing 16 / 8.4 \times 1.6$ (909256)</p> <p>M8 (909633)</p> | <p>NOTE: Use a wire marked pairs of the same junction.</p> <p>Huom! Käytä langalla merkittyä paria samassa liitoksessa.</p> |
| <p>OPTIONAL</p> <p>$\varnothing 16 / 8.4 \times 1.6$ (909256)</p> <p>M8 (909633)</p> <p>M8x40 (909873)</p> | | |
| | | |

DATE: 18.8.2011



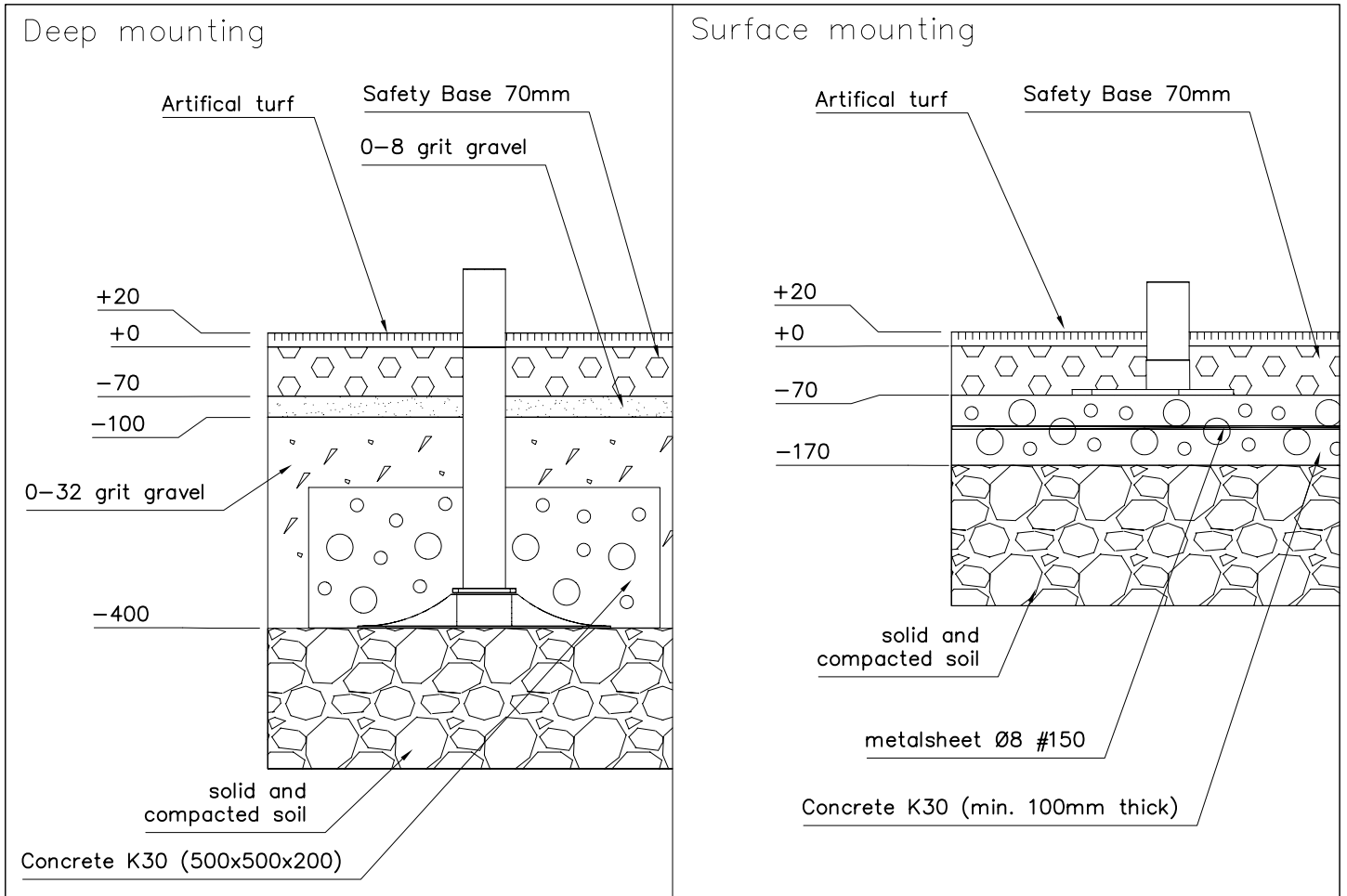
Syväperustus

1. Kaivetaan 400mm syvä kaivanto pinnan korosta. Jotkin välineet tarvitsevat syvämmän kaivannon (katso tuotteiden asennusohjeet).
Huom! Kantava ja suora perustusten pohja.
2. Asennetaan välineet.
3. Valetaan betonit. Jotkin välineet voivat vaatia isomman valun, katso yksittäisten tuotteiden asennusohjeet.
4. Täytetään 0-32 oikeaan korkoon.
5. Tiivistetään täyttö.
6. Täytetään kivituhkalla (0-8) n.30mm kerros jonka jälkeen tasoitetaan ja tiivistetään hyvin.(+/-10mm/4m oikolauta)
7. Tämän jälkeen asennetaan nurmi (katso asennusohje).

Pintaperustus

1. Kaivetaan 170mm syvä kaivanto pinnan korosta.
Huom! Kantava ja suora perustusten pohja.
2. Valetaan betonilaatta (min. 100mm paksu). Koko riippuu kentän koosta (S,M,L).
3. Asennetaan välineet.
4. Asennetaan joustopalat ohjeen mukaisesti (katso asennusohje).
5. Tämän jälkeen asennetaan nurmi (katso asennusohje).

DATE: 18.8.2011



Deep mounting

1. Start by digging 400 mm deep excavation. Some equipment may need more depth, see assembly instructions for individual equipment.
2. Assemble the equipment according to assembly instructions.
3. Make concrete blocks. Some equipment may need bigger block, see assembly instructions.
4. Fill with 0–32 grit to correct level.
5. Compact the layer.
6. Spread 30 mm thick layer using grit 0–8 gravel. Compact and level it thoroughly. (+/-10mm/4m)
7. Assemble the safety base according to assembly instructions.
8. Assemble the turf according to assembly instructions.

NOTE: Also the soil below the starting level (-400) needs to be solid and compact.

Surface mounting

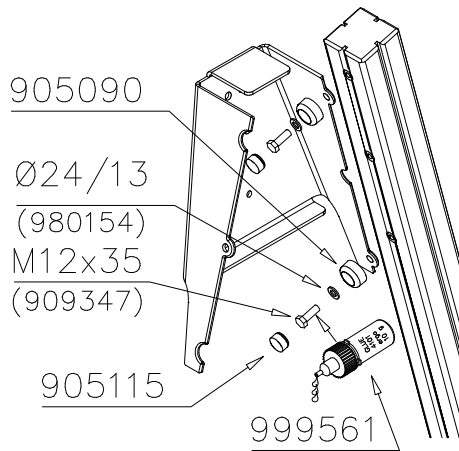
1. Start by digging 170 mm deep excavation.
2. Make concrete plate, see illustration (min. 100mm thick). Size depends on the size of the Parkour field (S,M,L).
3. Assemble the equipment according to assembly instructions.
4. Assemble the safety base according to assembly instructions.
5. Assemble the turf according to assembly instructions.

FINNO

REF: SWING
DATE: 31.3.2017

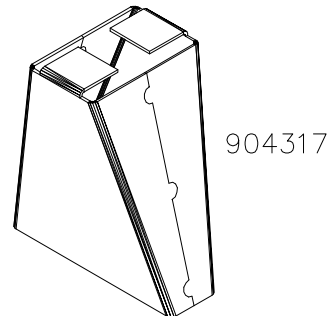
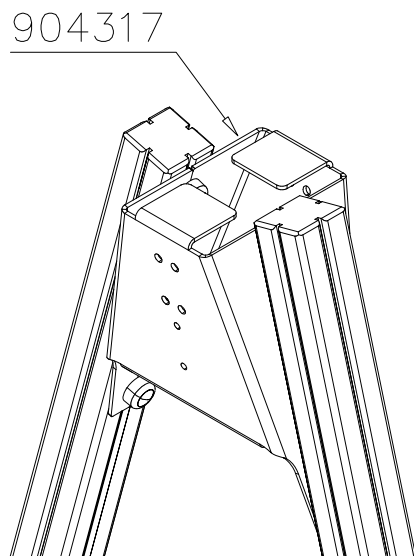
| | |
|--------------|--|
| <p>DET A</p> | |
| <p>DET A</p> | |
| <p>DET B</p> | |

DET B

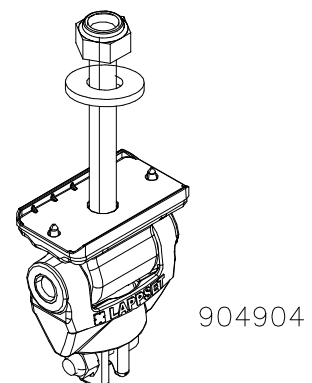
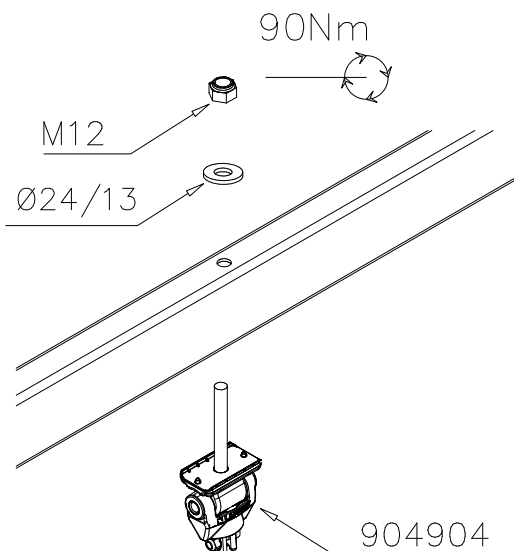


-  M12x35 6 pcs
-  Ø24/13 6 pcs
-  Ø45 6 pcs
-  Ø30 6 pcs
-  GLUE

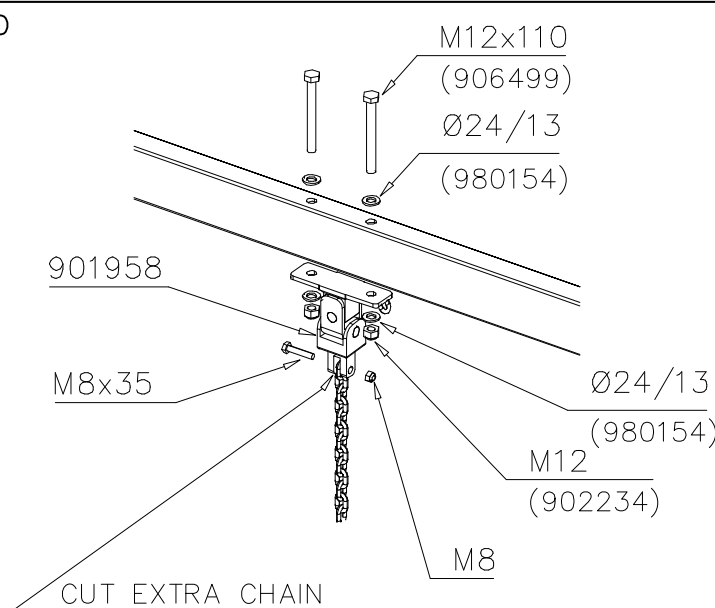
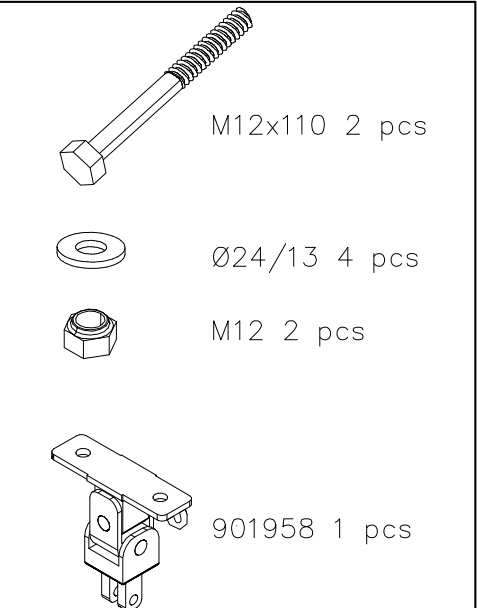
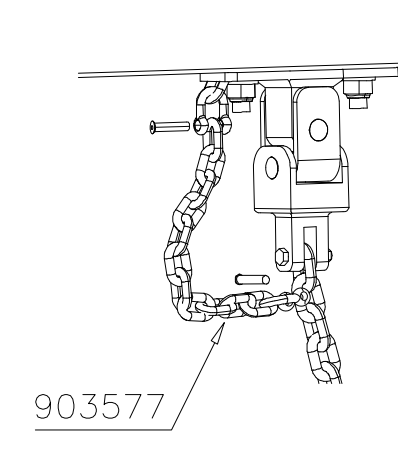
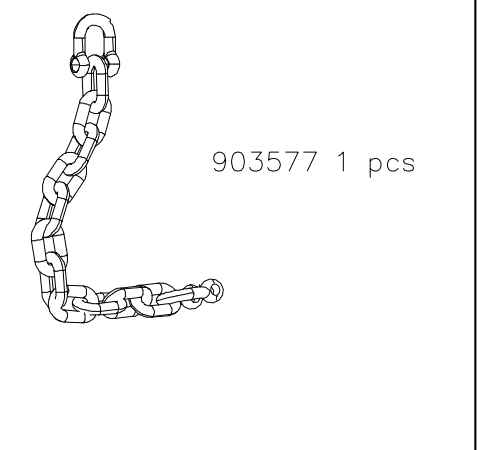
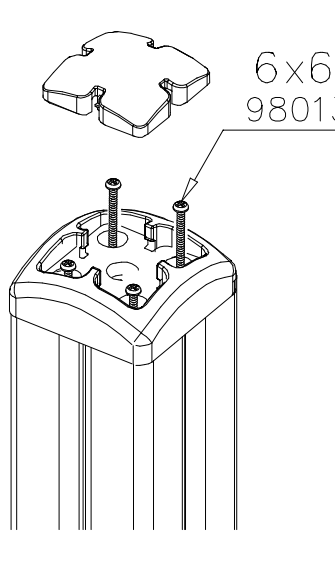
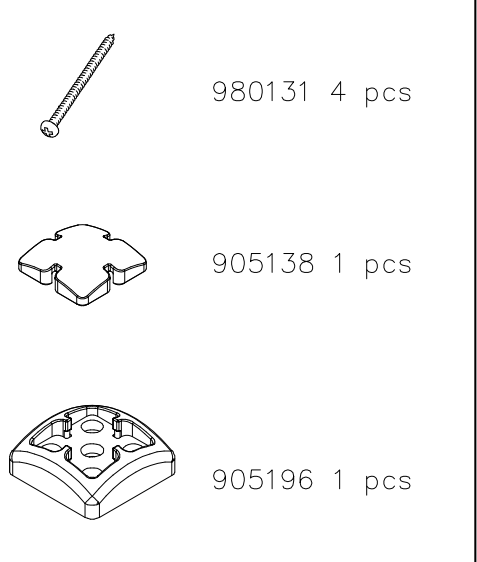
DET B

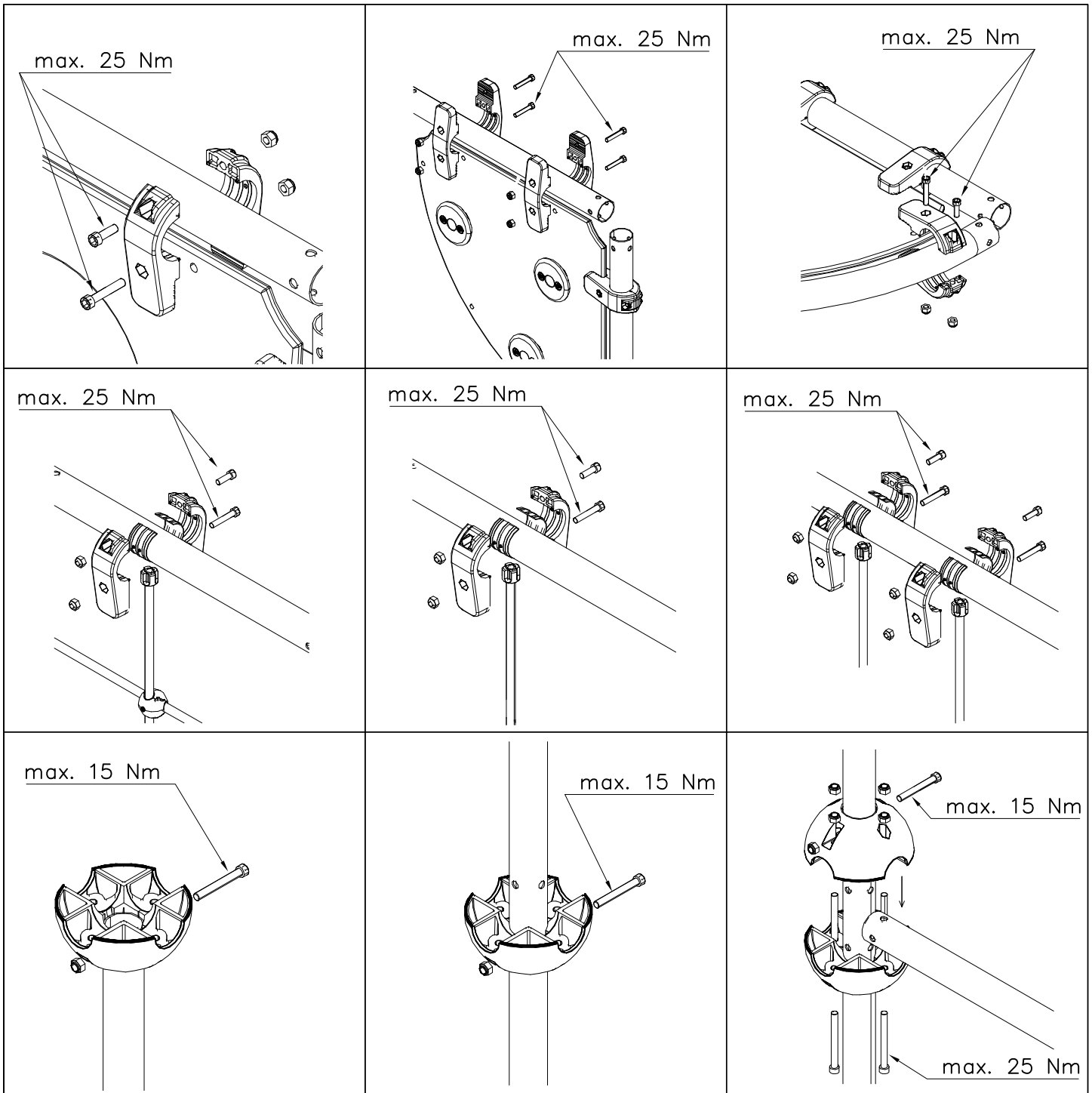


DET C



FINNO

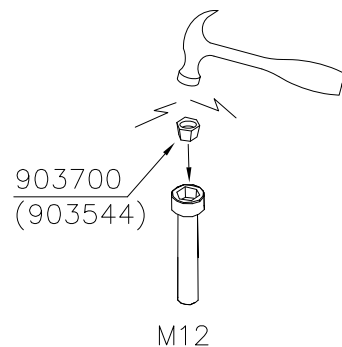
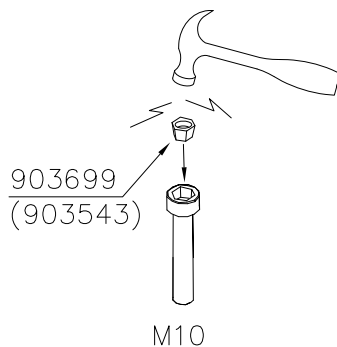
| | |
|---|--|
| <p>DET D</p>  <p>M12x110 (906499) Ø24/13 (980154) 901958 M8x35 Ø24/13 (980154) M12 (902234) M8 CUT EXTRA CHAIN</p> |  <p>M12x110 2 pcs Ø24/13 4 pcs M12 2 pcs 901958 1 pcs</p> |
| <p>DET D</p>  <p>903577</p> |  <p>903577 1 pcs</p> |
| <p>DET E</p>  <p>6x60 980131</p> |  <p>980131 4 pcs 905138 1 pcs 905196 1 pcs</p> |

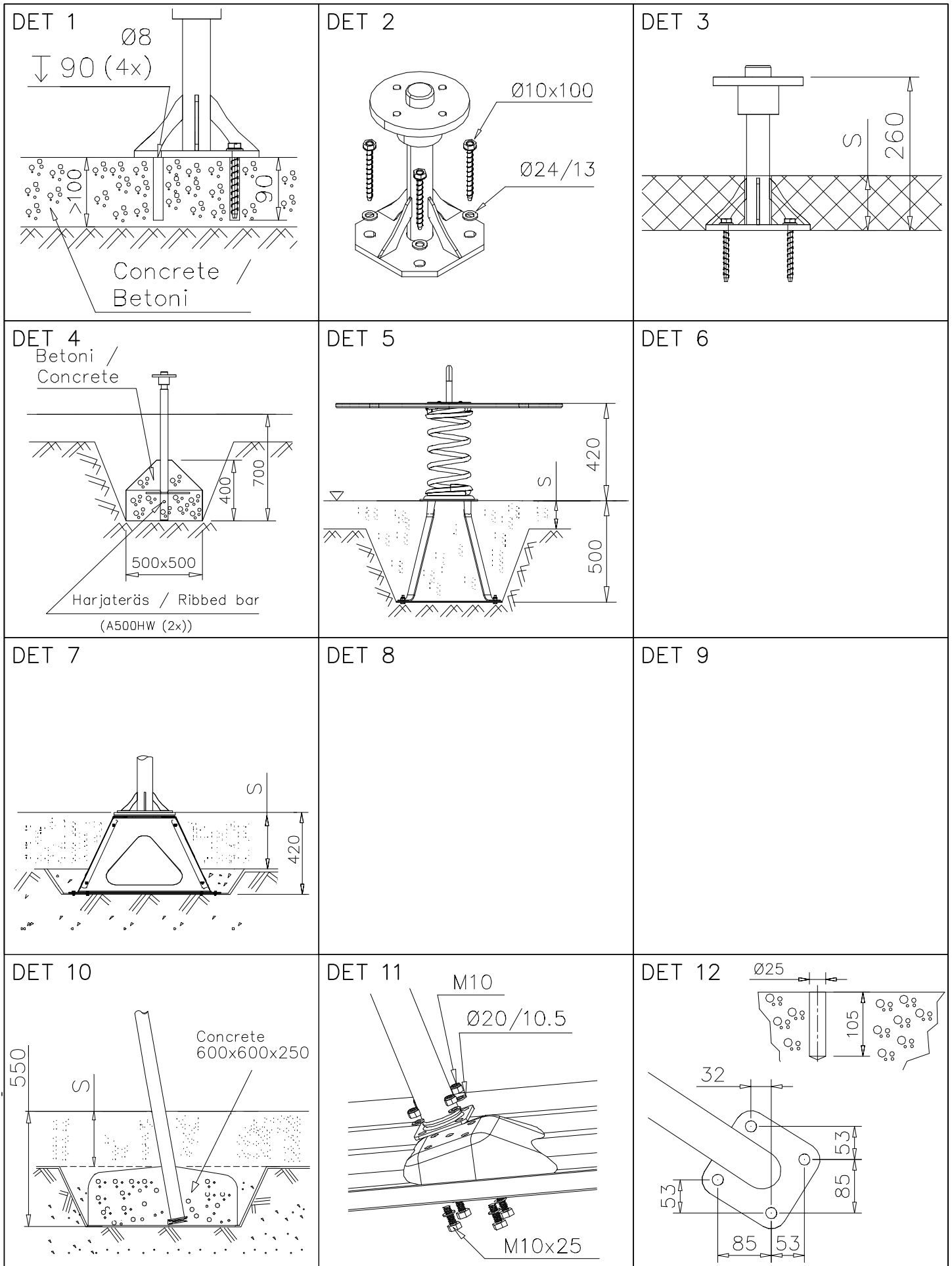


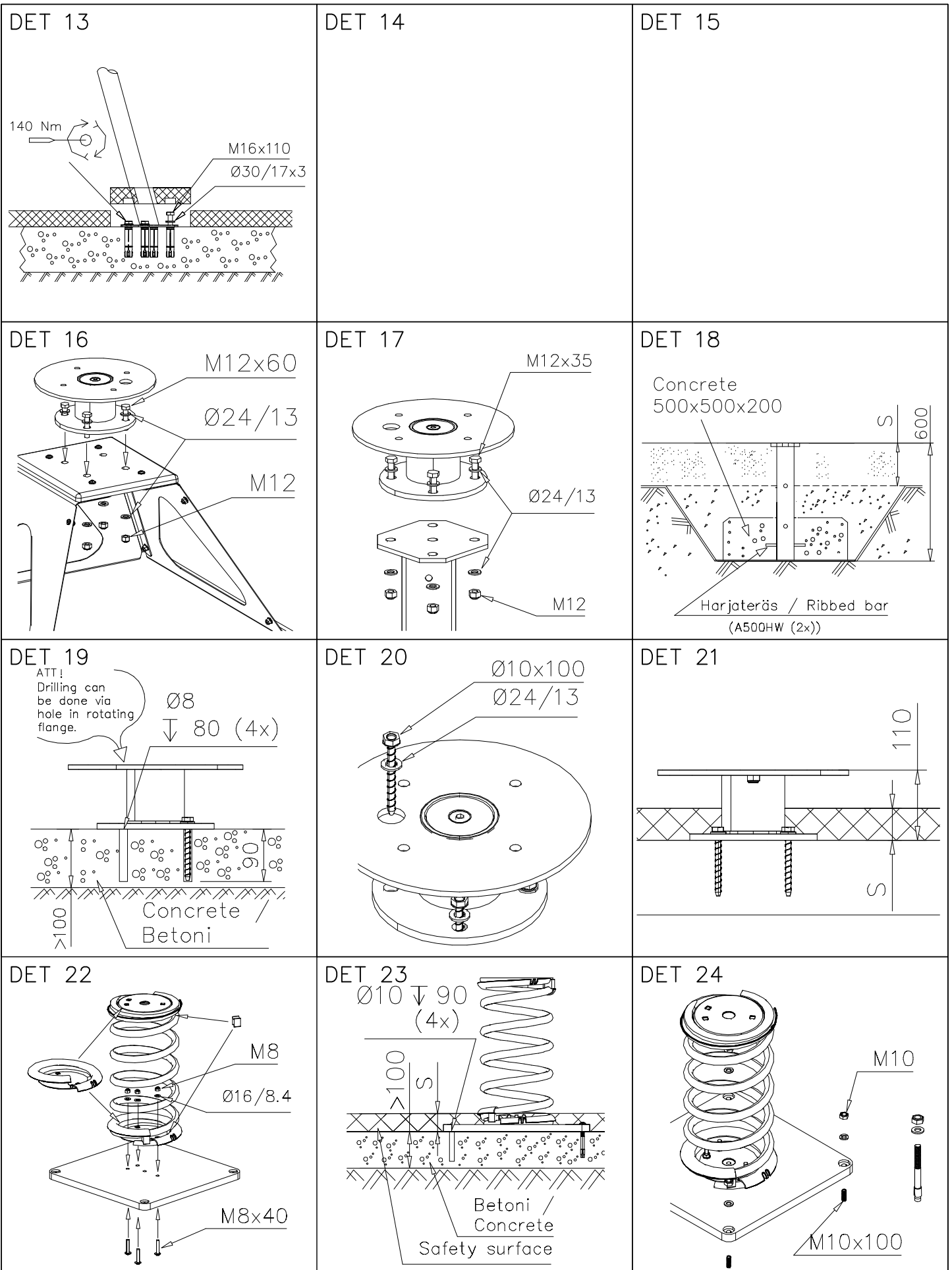
Security plugs are included only for selected products.

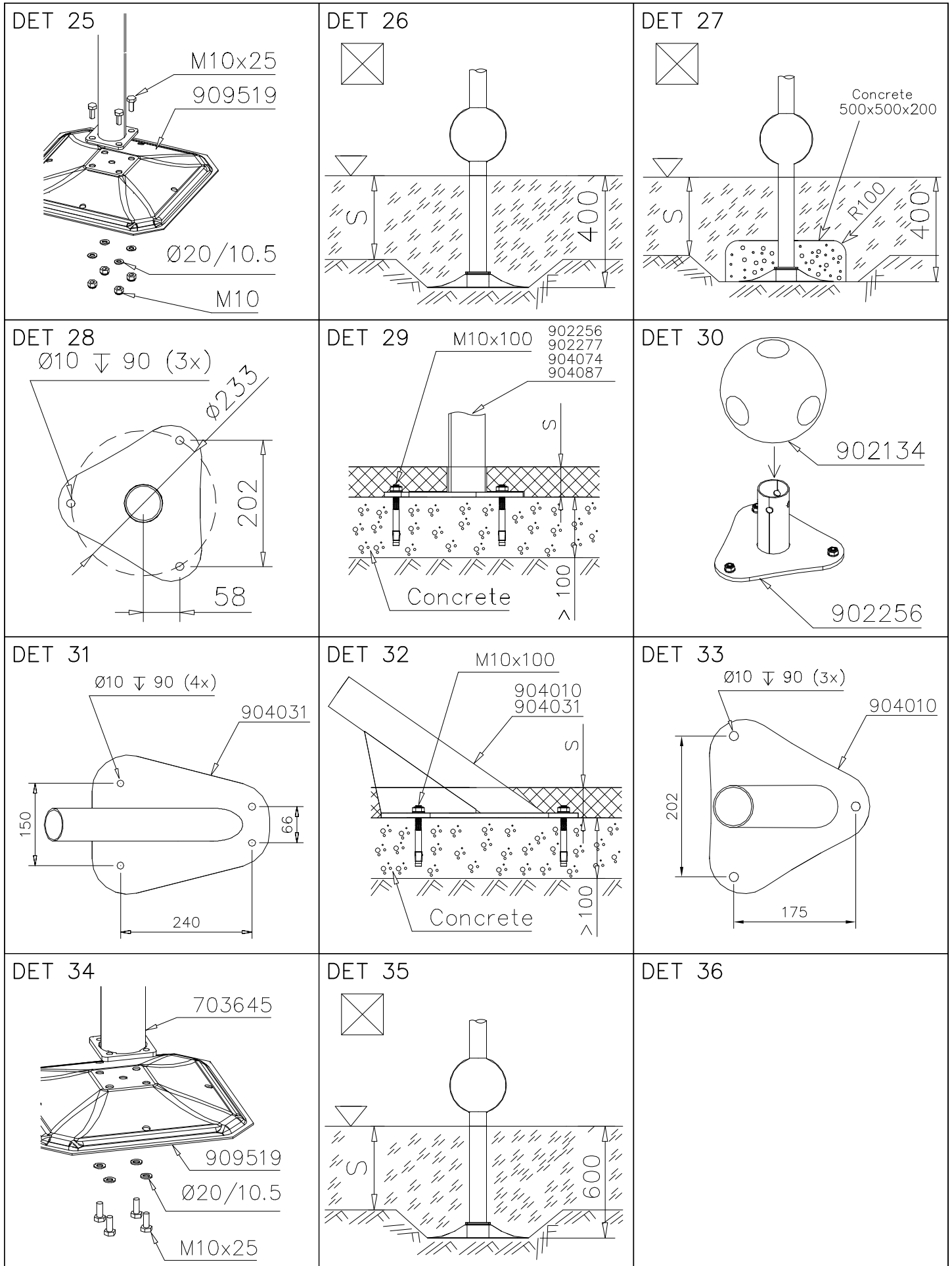
Hoi!
Pultit on kiristettävä lopulliseen kireyteen, ennen turvapinnien asennusta.

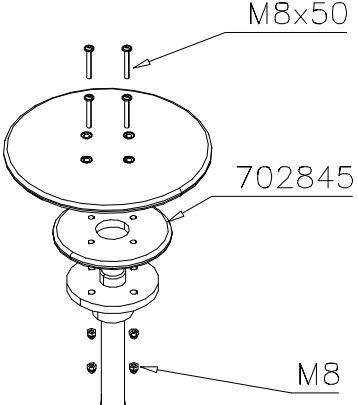
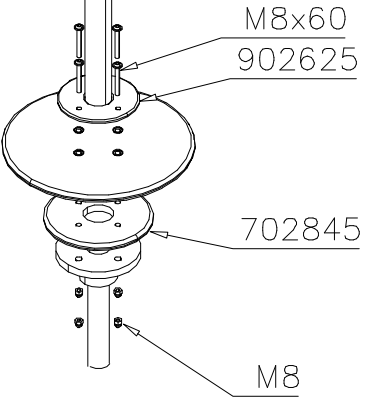

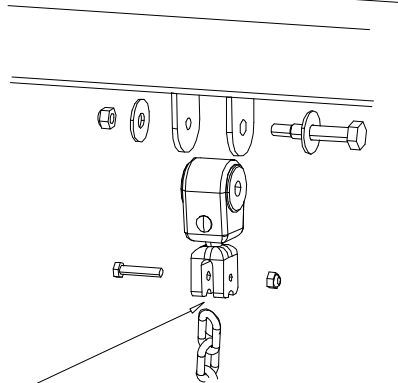
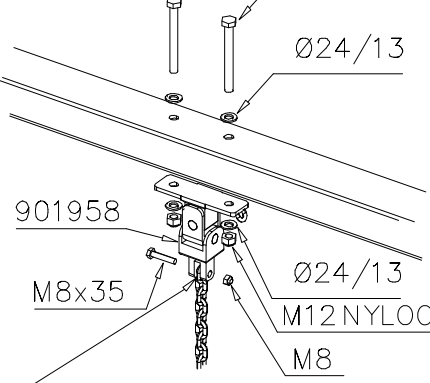
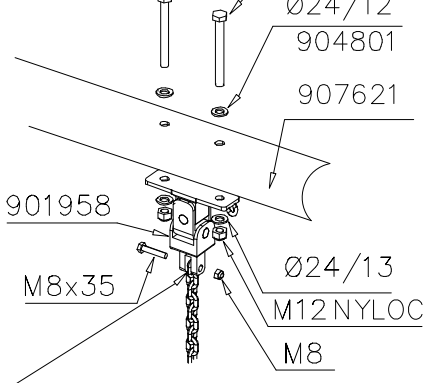
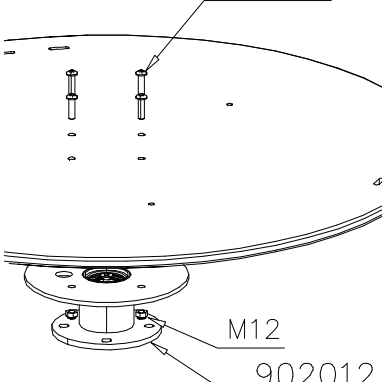
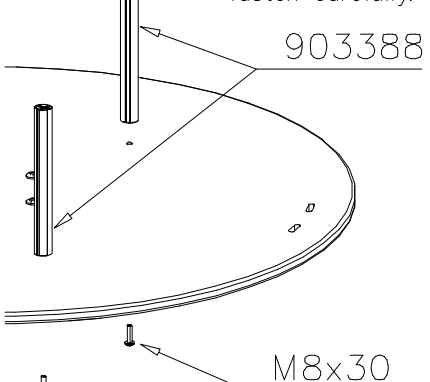
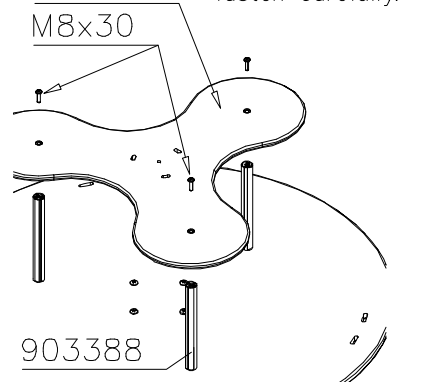
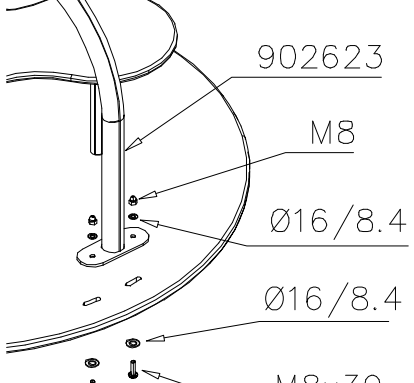
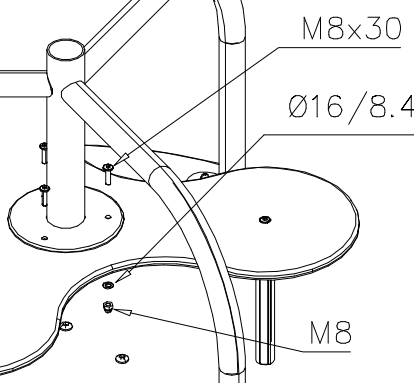
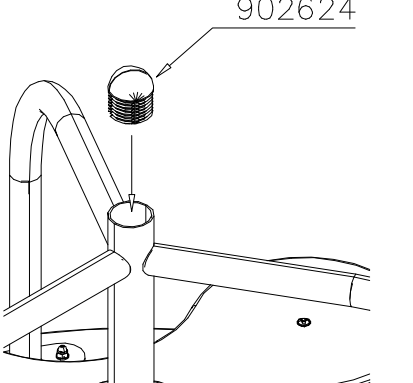
Note!
Tighten bolts properly, before installing security plugs.





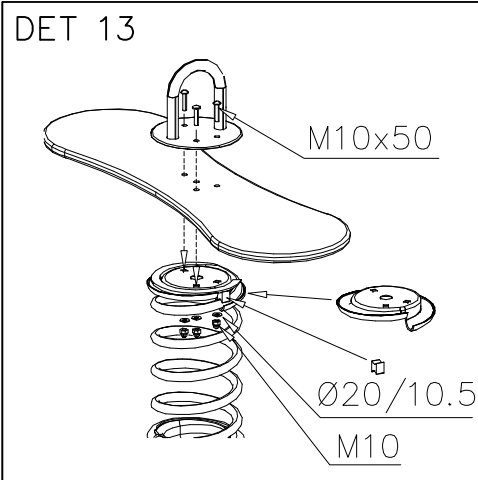
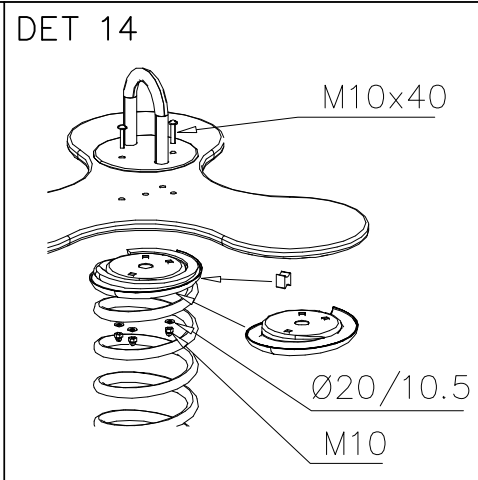
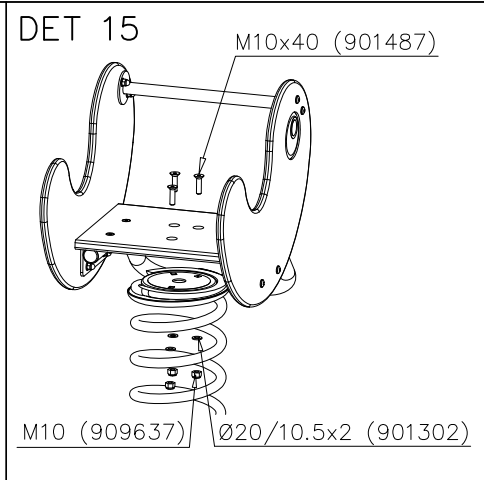
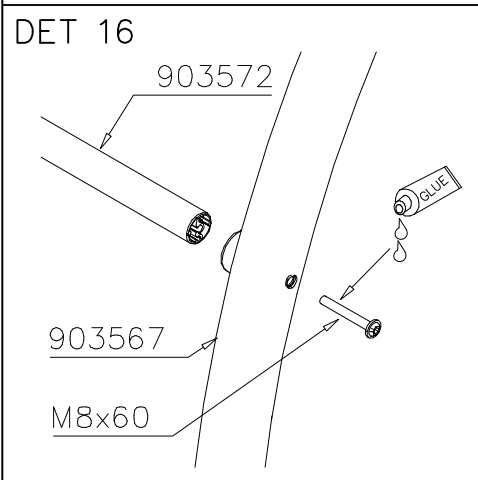
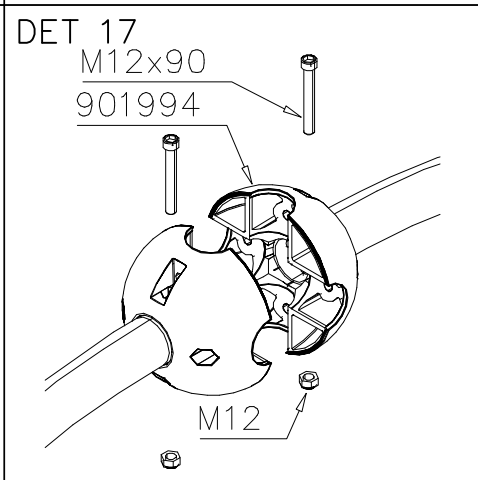
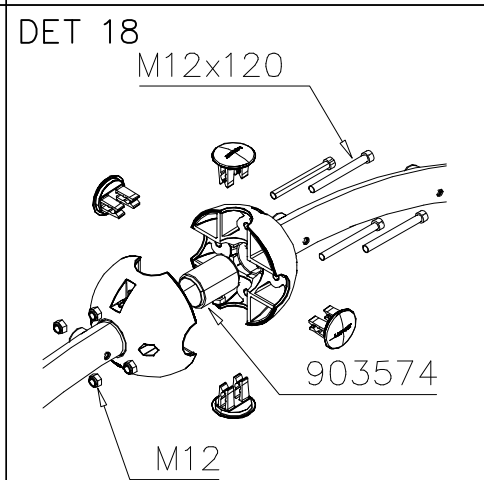
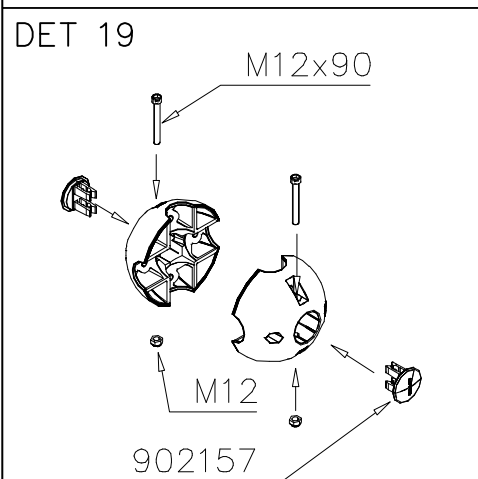
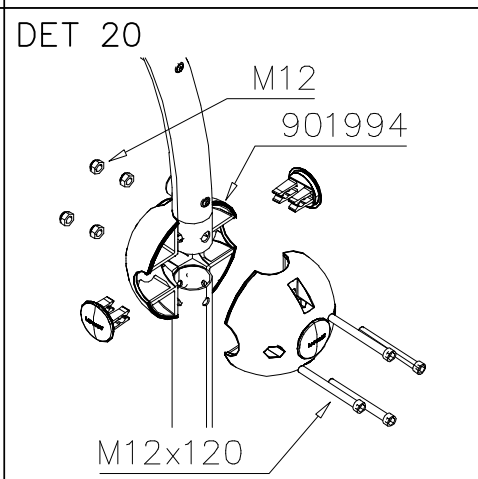
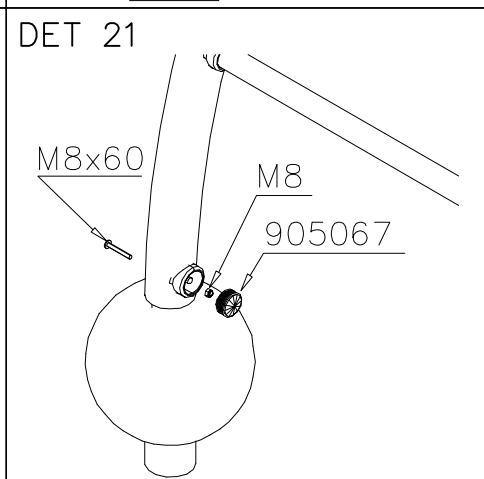
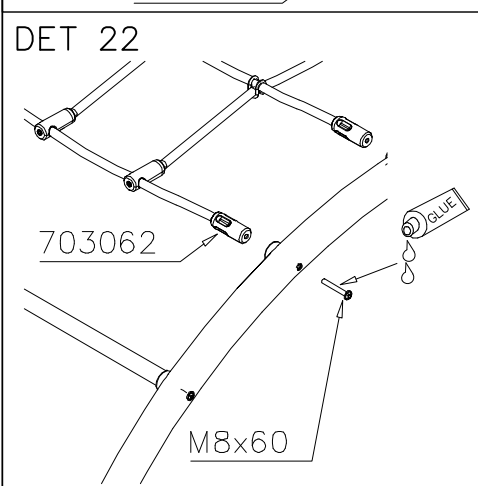
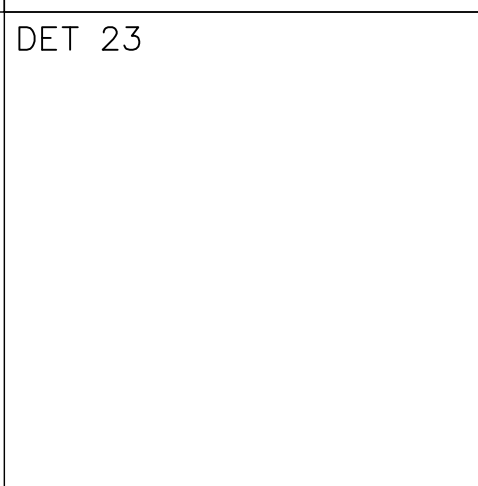
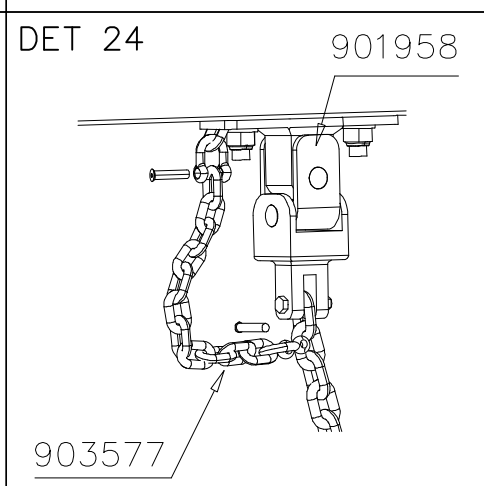




| | | |
|--|--|--|
| <p>DET 1</p>  <p>M8x50</p> <p>702845</p> <p>M8</p> | <p>DET 2</p>  <p>M8x60 902625</p> <p>702845</p> <p>M8</p> | <p>DET 3</p>  |
| <p>DET 4</p>  <p>CUT EXTRA CHAIN</p> | <p>DET 5</p>  <p>M12x110</p> <p>Ø24/13</p> <p>901958</p> <p>M8x35</p> <p>Ø24/13</p> <p>M12 NYLOC</p> <p>M8</p> <p>CUT EXTRA CHAIN</p> | <p>DET 6</p>  <p>M12x120</p> <p>Ø24/12 904801</p> <p>907621</p> <p>901958</p> <p>M8x35</p> <p>Ø24/13</p> <p>M12 NYLOC</p> <p>M8</p> <p>CUT EXTRA CHAIN</p> |
| <p>DET 7</p>  <p>M12x40</p> <p>M12</p> <p>902012</p> | <p>DET 8</p>  <p>NOTE: Aluminum thread fasten carefully.</p> <p>903388</p> <p>M8x30</p> | <p>DET 9</p>  <p>NOTE: Aluminum thread fasten carefully.</p> <p>702850</p> <p>M8x30</p> <p>903388</p> |
| <p>DET 10</p>  <p>902623</p> <p>M8</p> <p>Ø16/8.4</p> <p>Ø16/8.4</p> <p>M8x30</p> | <p>DET 11</p>  <p>M8x30</p> <p>Ø16/8.4</p> <p>M8</p> | <p>DET 12</p>  <p>902624</p> |

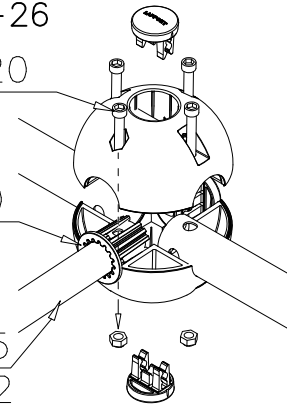
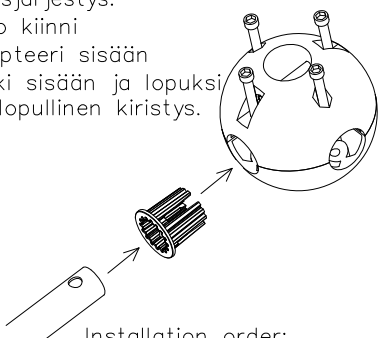
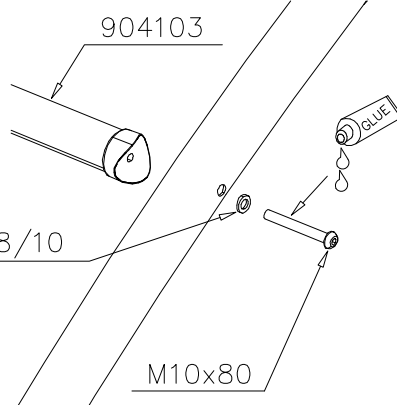
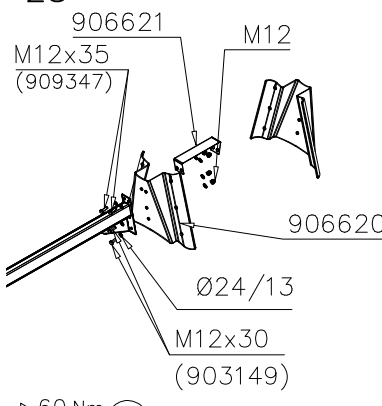
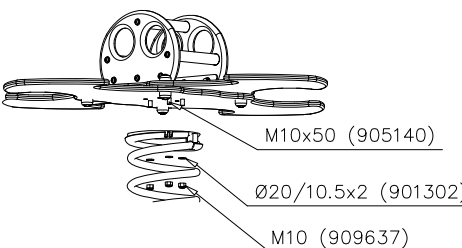
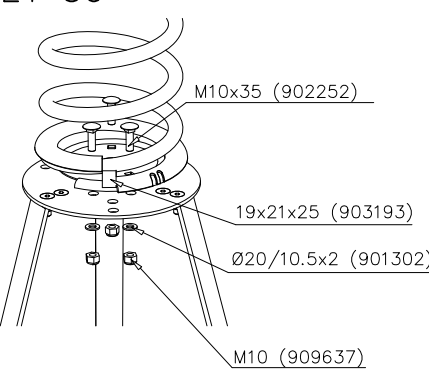
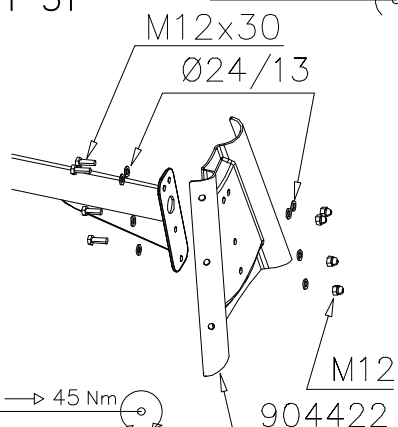
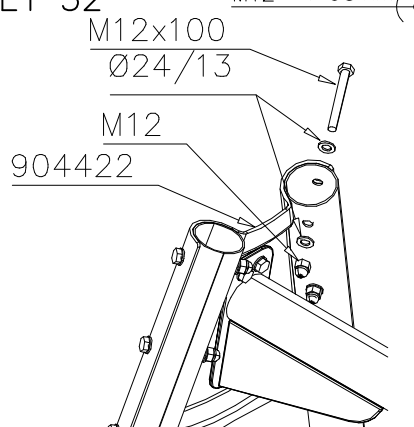
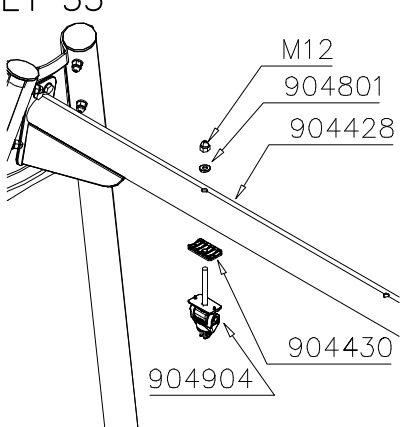
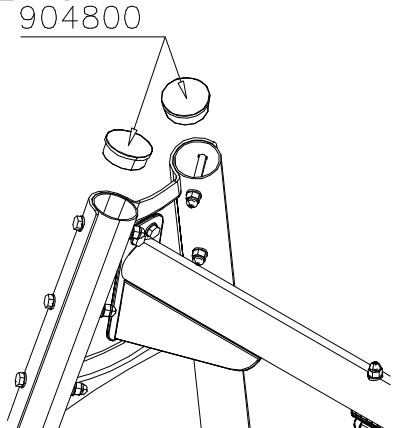
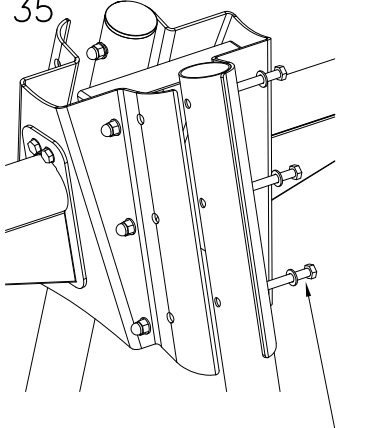

CLOXX / FINNO ABC

DATE: 12.9.2017

| | | |
|--|--|---|
| <p>DET 13</p>  <p>M10x50</p> <p>Ø20/10.5</p> <p>M10</p> | <p>DET 14</p>  <p>M10x40</p> <p>Ø20/10.5</p> <p>M10</p> | <p>DET 15</p>  <p>M10x40 (901487)</p> <p>M10 (909637)</p> <p>Ø20/10.5x2 (901302)</p> |
| <p>DET 16</p>  <p>903572</p> <p>903567</p> <p>M8x60</p> <p>GLUE</p> | <p>DET 17</p>  <p>M12x90 (901994)</p> <p>M12</p> | <p>DET 18</p>  <p>M12x120</p> <p>M12</p> <p>903574</p> |
| <p>DET 19</p>  <p>M12x90</p> <p>M12</p> <p>902157</p> | <p>DET 20</p>  <p>M12</p> <p>901994</p> <p>M12x120</p> | <p>DET 21</p>  <p>M8x60</p> <p>M8 (905067)</p> |
| <p>DET 22</p>  <p>703062</p> <p>M8x60</p> <p>GLUE</p> | <p>DET 23</p>  <p>703062</p> <p>M8x60</p> | <p>DET 24</p>  <p>901958</p> <p>903577</p> |

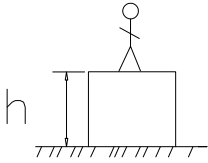



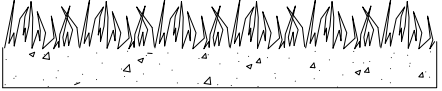
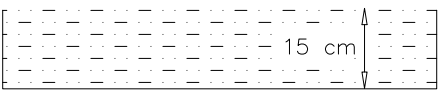
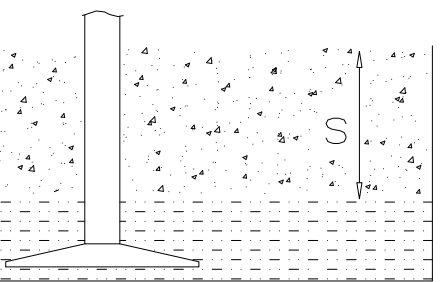
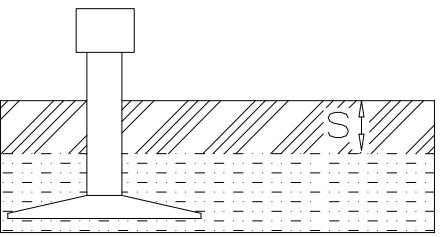
CLOXX / FINNO ABC

DATE: 12.9.2017

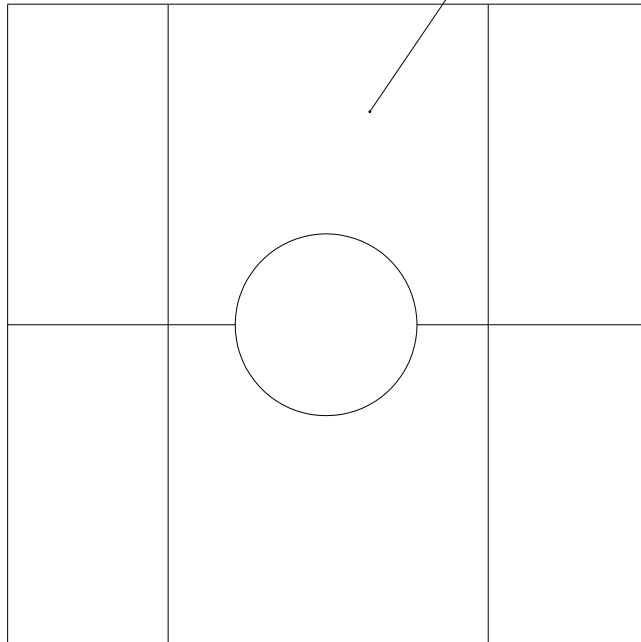
| | | |
|---|---|---|
| <p>DET 25-26</p> <p>M12x120</p> <p>904100</p> <p>904015</p> <p>904102</p> <p>Kun putken pää osuu adapterin kynsiin, adapteri tiukentuu paikoilleen.</p>  | <p>Asennusjärjestys:</p> <ol style="list-style-type: none"> 1) Pallo kiinni 2) Adapteri sisään 3) putki sisään ja lopuksi pallon lopullinen kiristys. <p>Installation order:</p> <ol style="list-style-type: none"> 1) Close the ball 2) Insert adapter 3) Insert tube and tighten screws.  | <p>DET 27</p> <p>904103</p> <p>Ø18/10</p> <p>M10x80</p>  |
| <p>DET 28</p> <p>906621</p> <p>M12x35 (909347)</p> <p>M12</p> <p>906620</p> <p>Ø24/13</p> <p>M12x30 (903149)</p> <p>M12 → 60 Nm</p>  | <p>DET 29</p> <p>M10x50 (905140)</p> <p>Ø20/10.5x2 (901302)</p> <p>M10 (909637)</p>  | <p>DET 30</p> <p>M10x35 (902252)</p> <p>19x21x25 (903193)</p> <p>Ø20/10.5x2 (901302)</p> <p>M10 (909637)</p>  |
| <p>DET 31</p> <p>M12 → 60 Nm</p> <p>M12x30</p> <p>Ø24/13</p> <p>M12</p> <p>904422</p> <p>M10 → 45 Nm</p>  | <p>DET 32</p> <p>M12 → 60 Nm</p> <p>M12x100</p> <p>Ø24/13</p> <p>M12</p> <p>904422</p>  | <p>DET 33</p> <p>M12</p> <p>904801</p> <p>904428</p> <p>904430</p> <p>904904</p>  |
| <p>DET 34</p> <p>904800</p>  | <p>DET 35</p> <p>M12x110</p>  | <p>DET 36</p>  |

Impact Area EN 1176

REF:
DATE: 20.2.2018

| | | | | | | | | | | | | |
|---|---|--|-----------------|-----------------|----------------|---------|----------------|---------|----------------|-------|----------------|---|
|  | | | | | | | | | | | | |
| <p>$h < 600$</p> <p>Without movement and therefore without Impact Area</p> | <p>Totally hard surfaces.</p> <p>Note. Lappset does <u>not</u> recommend totally hard surfaces at all.</p> | <p>E.g. concrete or asphalt</p>  | | | | | | | | | | |
| <p>$h < 600$</p> <p>With movement e.g. rocking</p> | <p>Materials with very limited impact attenuating properties.</p> | <p>E.g. wood</p>  | | | | | | | | | | |
| <p>$h < 1000$</p> | <p>Materials with significant impact attenuating properties.</p> | <p>fine gravel 0–8 mm</p>  <p>grass</p>  <p>unsorted sand</p>  | | | | | | | | | | |
| <p>$h < 3000$</p> | <p>Loose fill material</p> <p>E.g. sand/gravel 0,25...8 mm D60/D10<3,0 Woodchips 5...30 mm bark 20...80 mm</p> |  <table border="0" data-bbox="1024 1691 1324 1792"> <tr> <td>\underline{S}</td> <td>\underline{h}</td> </tr> <tr> <td>30 cm</td> <td>< 2,0 m</td> </tr> <tr> <td>40 cm</td> <td>< 3,0 m</td> </tr> </table> | \underline{S} | \underline{h} | 30 cm | < 2,0 m | 40 cm | < 3,0 m | | | | |
| \underline{S} | \underline{h} | | | | | | | | | | | |
| 30 cm | < 2,0 m | | | | | | | | | | | |
| 40 cm | < 3,0 m | | | | | | | | | | | |
| | <p>Syntethic granulates</p> <table border="0" data-bbox="406 1892 750 2060"> <tr> <td>\underline{S}</td> <td>\underline{h}</td> </tr> <tr> <td>40 mm</td> <td>~> 1,2...1,3 m</td> </tr> <tr> <td>50 mm</td> <td>~> 1,5...1,7 m</td> </tr> <tr> <td>60 mm</td> <td>~> 1,8...2,0 m</td> </tr> <tr> <td>70 mm</td> <td>~> 2,1...2,5 m</td> </tr> </table> <p>Note. For accurate values, see manufacturer's instructions.</p> | \underline{S} | \underline{h} | 40 mm | ~> 1,2...1,3 m | 50 mm | ~> 1,5...1,7 m | 60 mm | ~> 1,8...2,0 m | 70 mm | ~> 2,1...2,5 m |  |
| \underline{S} | \underline{h} | | | | | | | | | | | |
| 40 mm | ~> 1,2...1,3 m | | | | | | | | | | | |
| 50 mm | ~> 1,5...1,7 m | | | | | | | | | | | |
| 60 mm | ~> 1,8...2,0 m | | | | | | | | | | | |
| 70 mm | ~> 2,1...2,5 m | | | | | | | | | | | |

REMOVE SAFETY SURFACE/SAND/GRAVEL
TO CHECK FOUNDATION



REMOVE SAFETY SURFACE/SAND/GRAVEL
TO CHECK FOUNDATION

