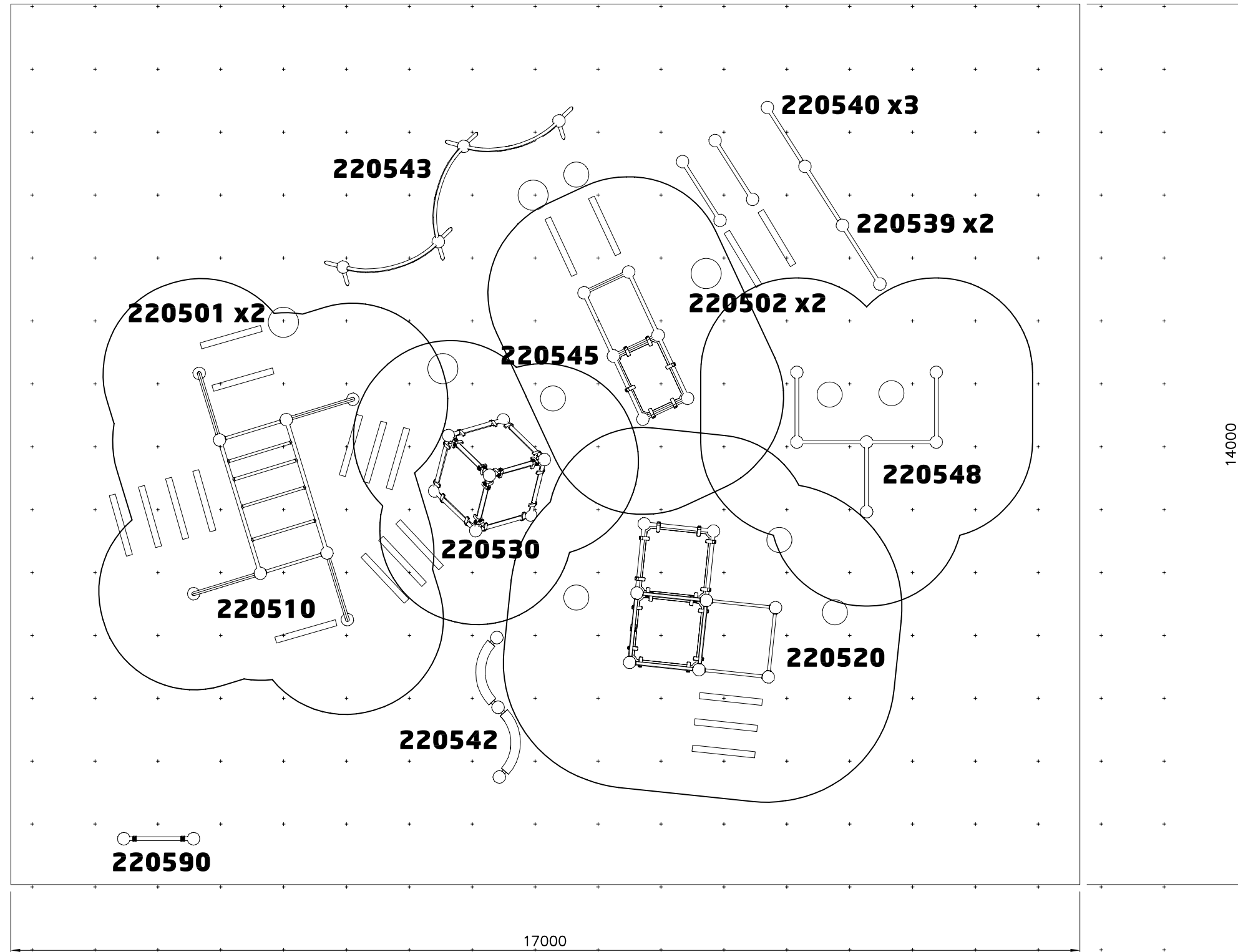
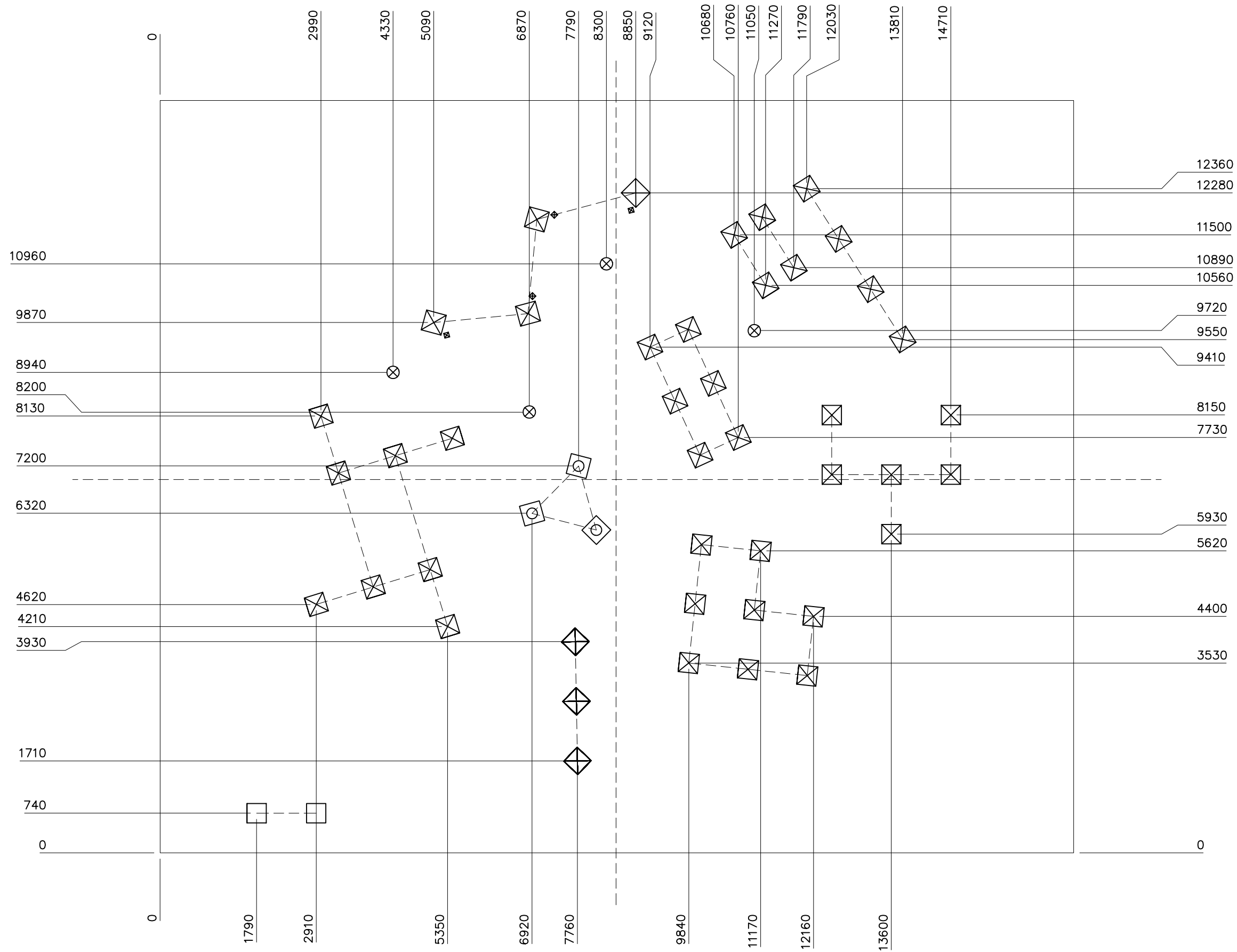


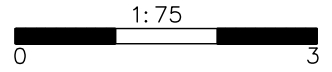
DATE: 16.3.2011





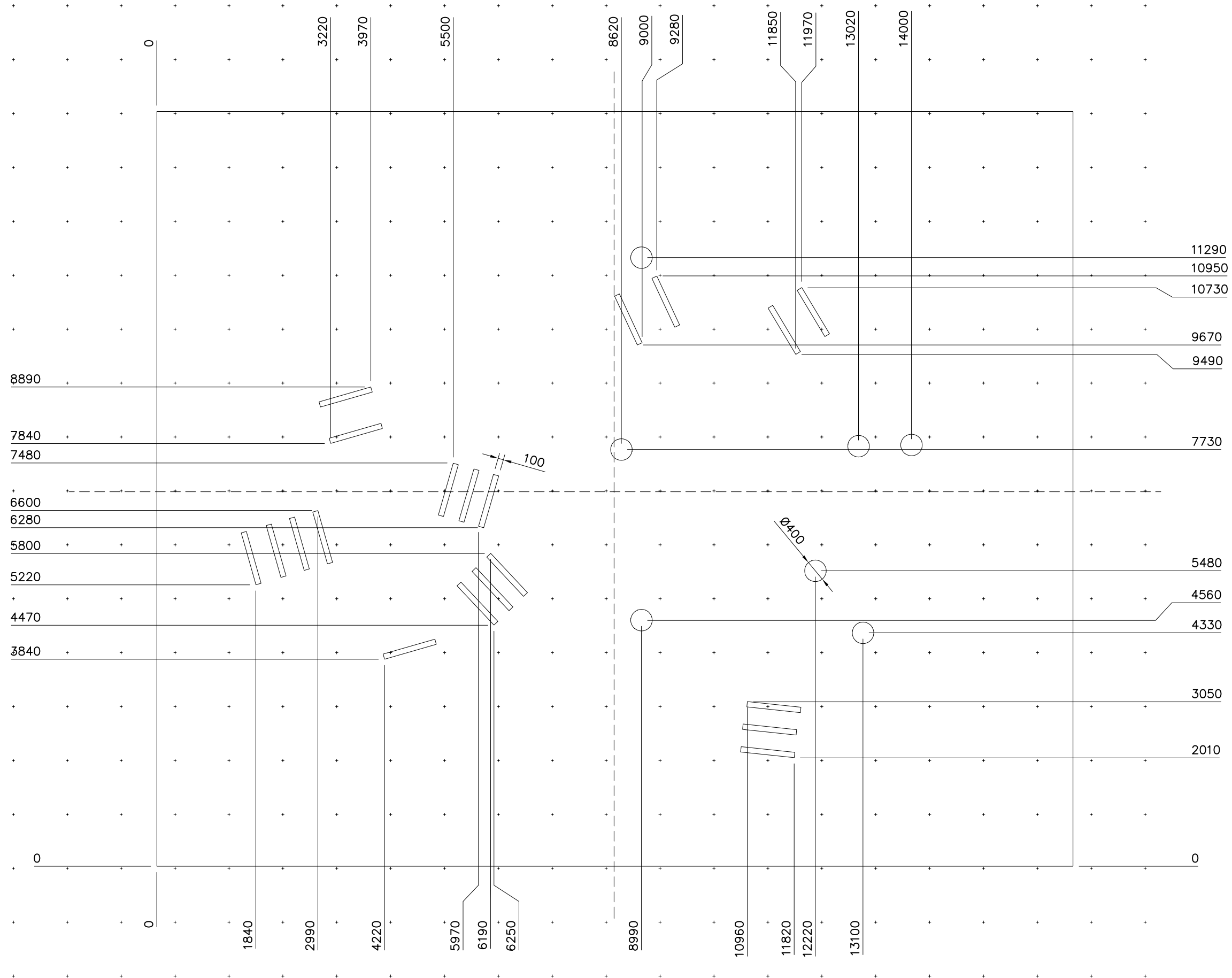
PARKOUR JUMP TARGETS

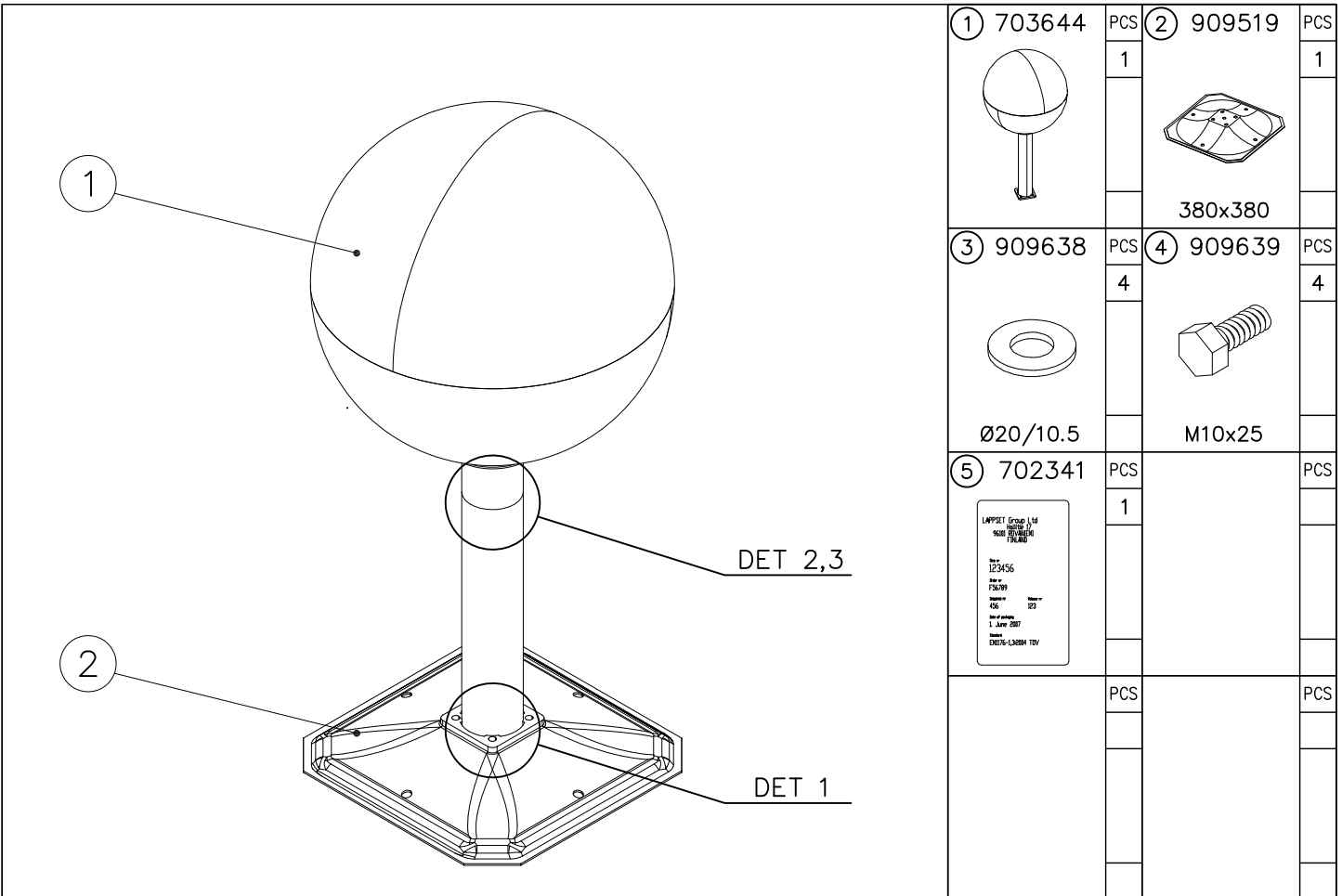
Grid Size = 1000 mm

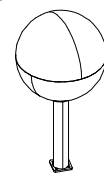
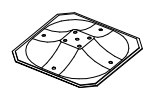

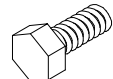
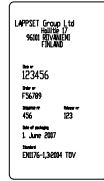


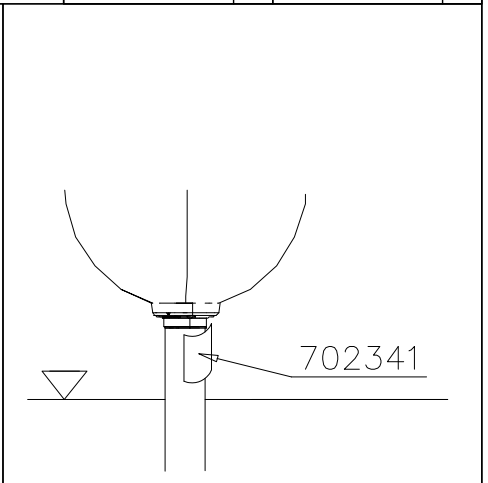
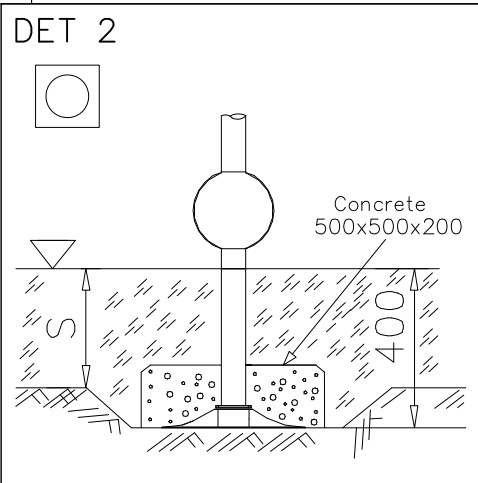
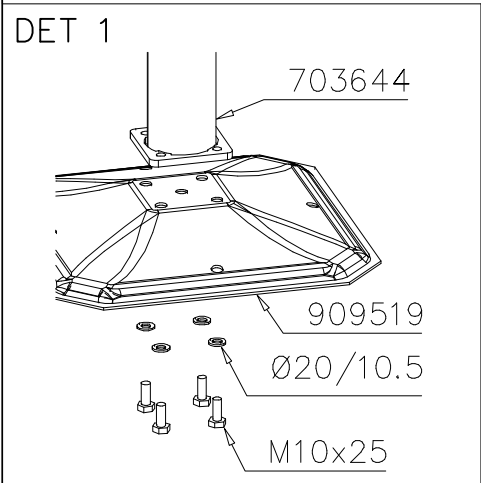
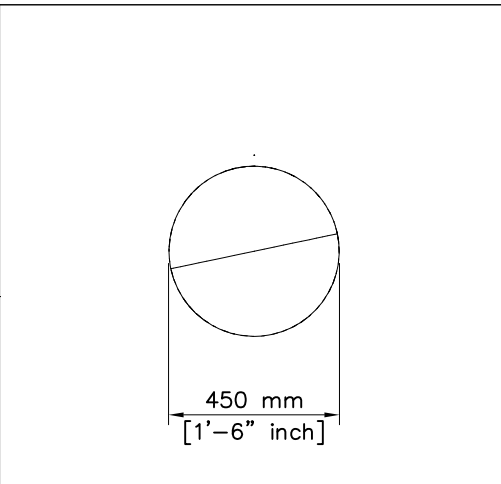
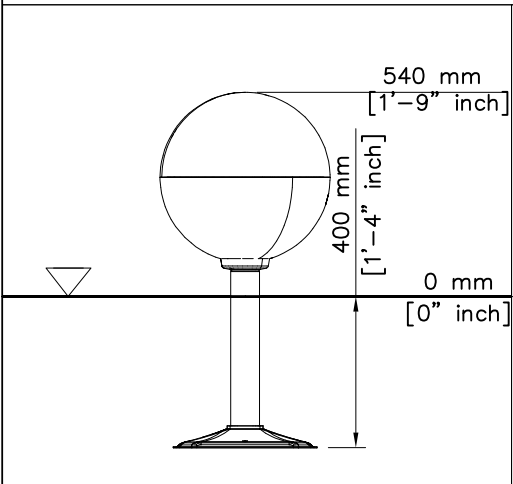
220593

DATE: 16.3.2011





① 703644	PCS	② 909519	PCS
	1		1
		380x380	
③ 909638	PCS	④ 909639	PCS
	4		4
Ø20/10.5		M10x25	
⑤ 702341	PCS		PCS
	1		
	PCS		PCS



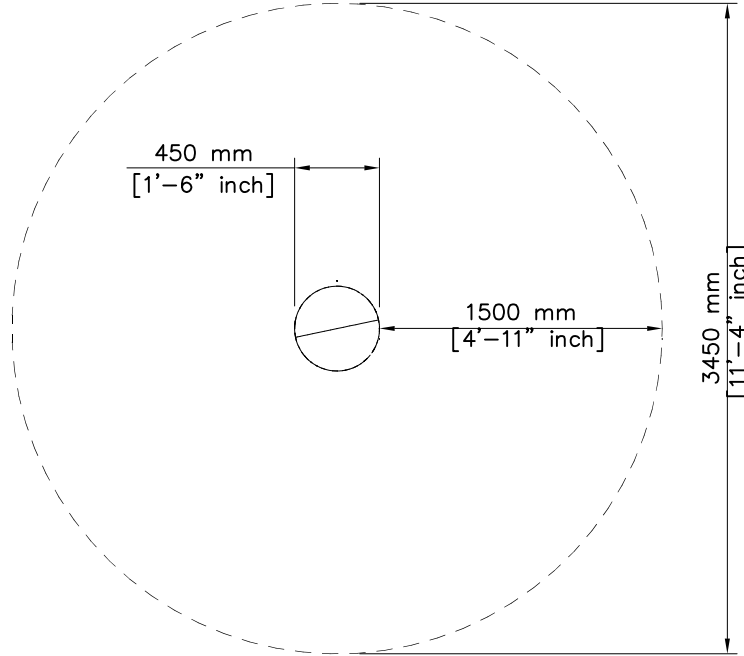
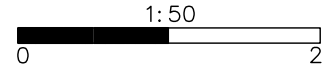
WINAM GROUP PARKOUR

220502

DATE: 13.3.2013



----- Falling Space 9.3 m² (100 sq ft)
Max Falling Height 540 mm (1'-9" in)



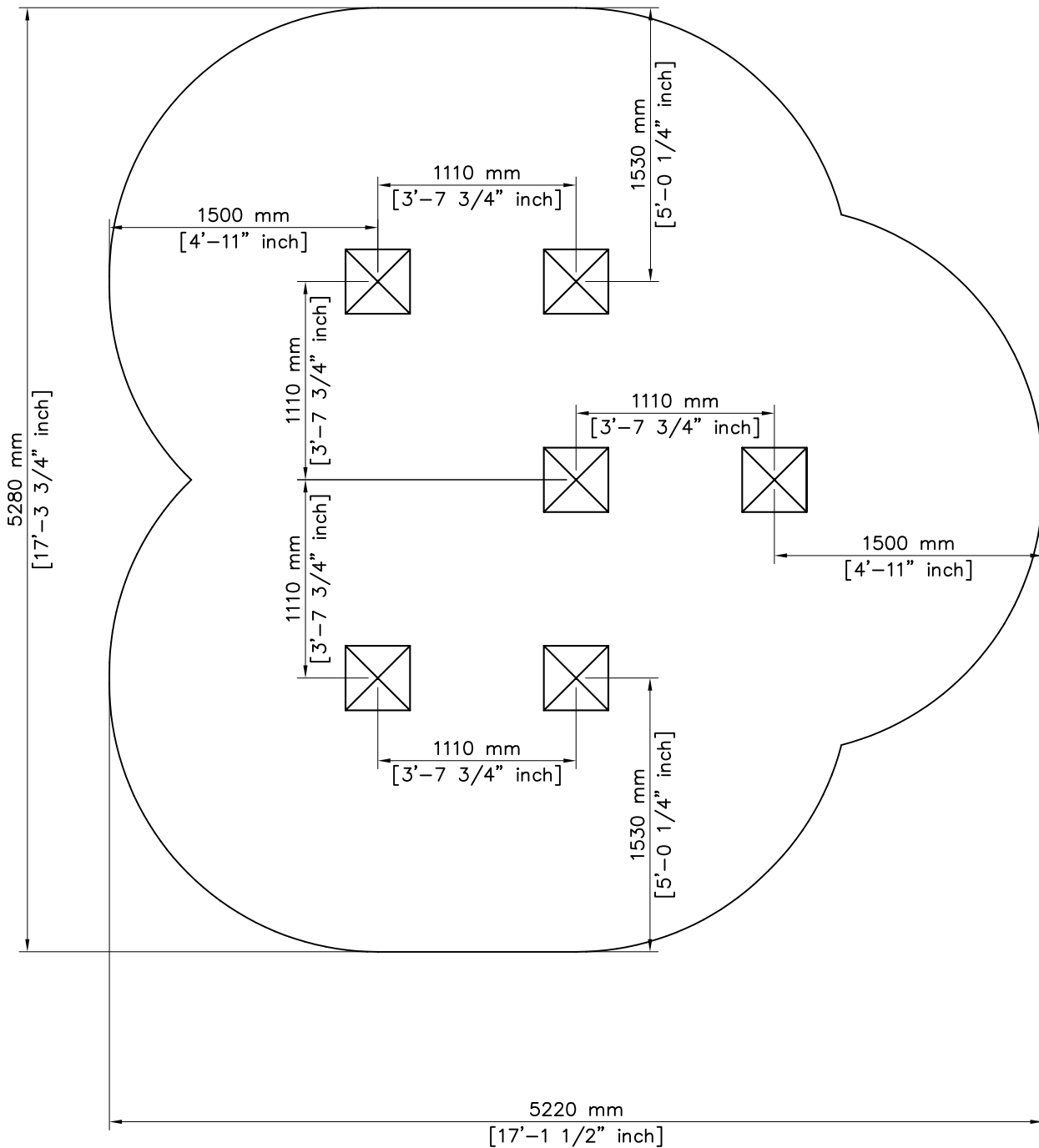
WINAM GROUP PARKOUR

220548

DATE: 20.6.2019



EN/AS Impact Area 21.9 m² (235.7 sq ft)
Falling Space Area 21.9 m² (235.7 sq ft)
Max Falling Height 960 mm (3' - 1 3/4" in)



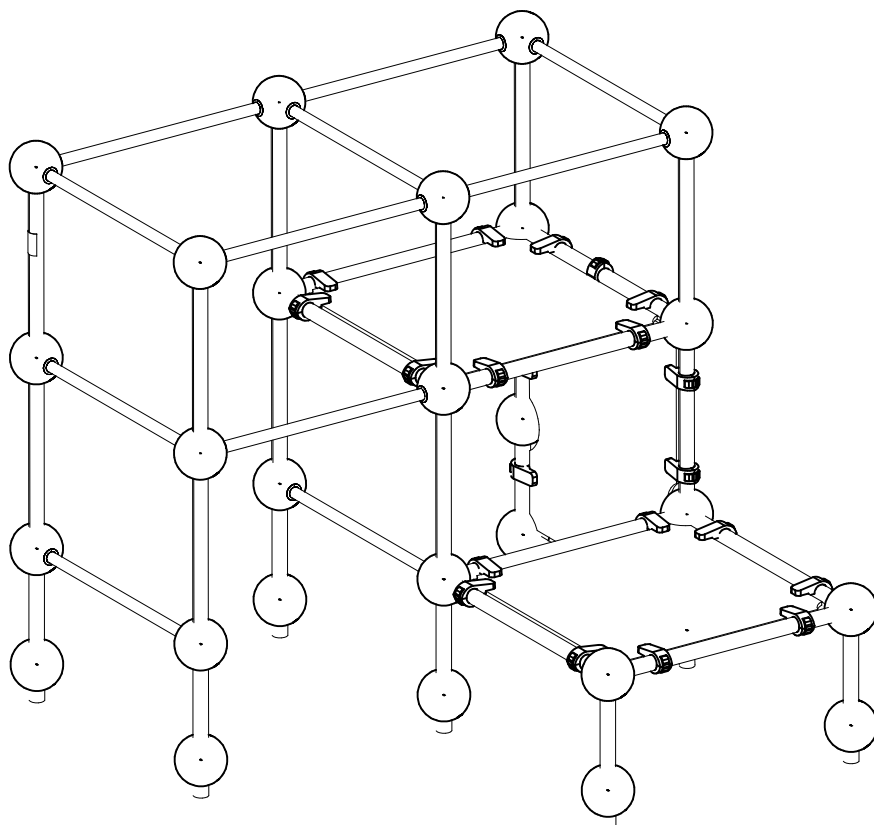
WINAM GROUP PARKOUR



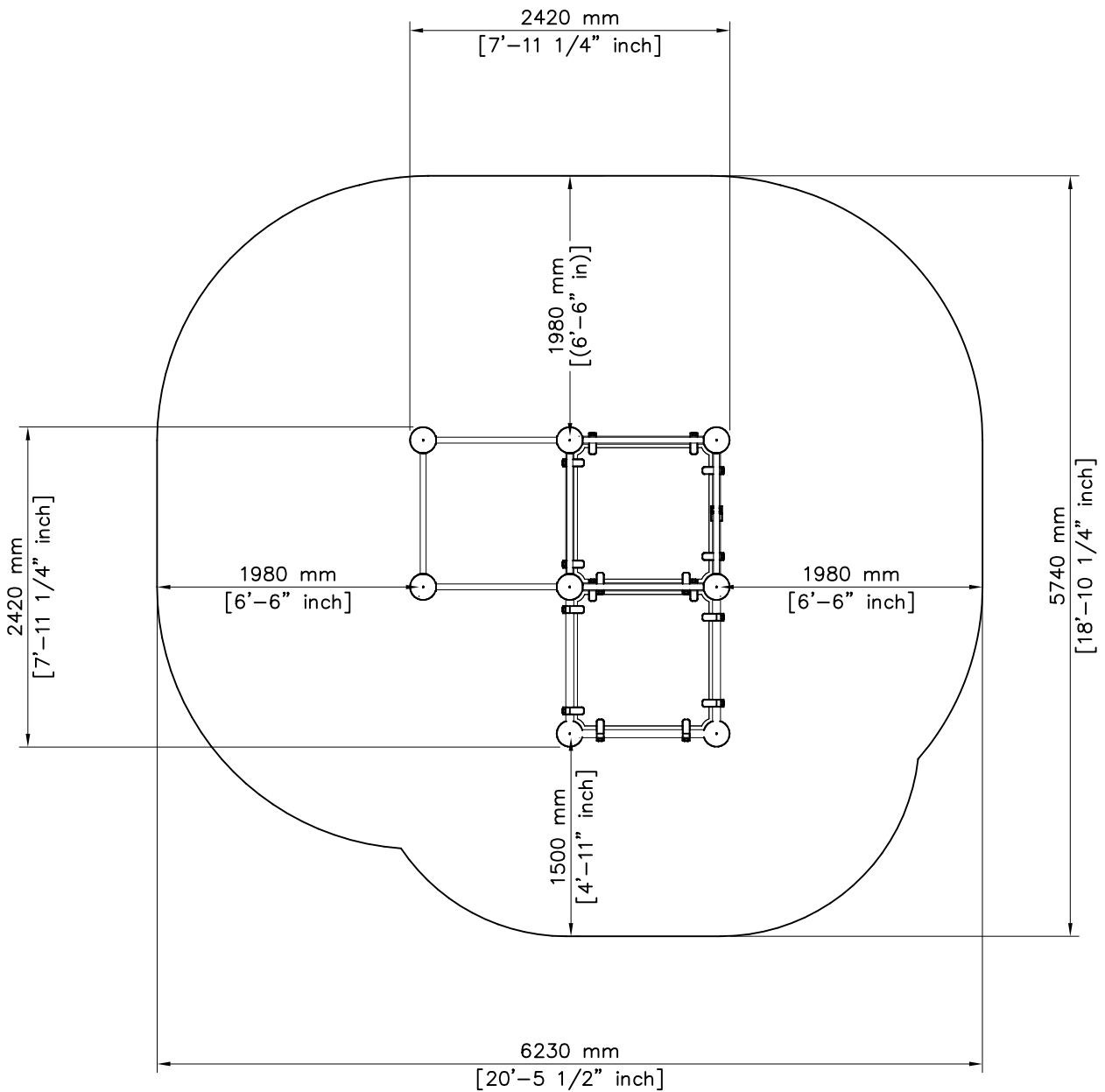
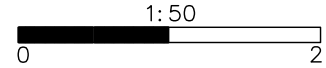
ASENNUSOHJE
MONTERINGSANSVISNING
INSTALLATION INSTRUCTION
AUFBAUANLEITUNG
NOTICE D'INSTALLATION

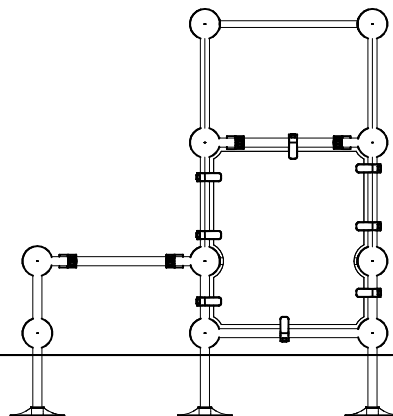
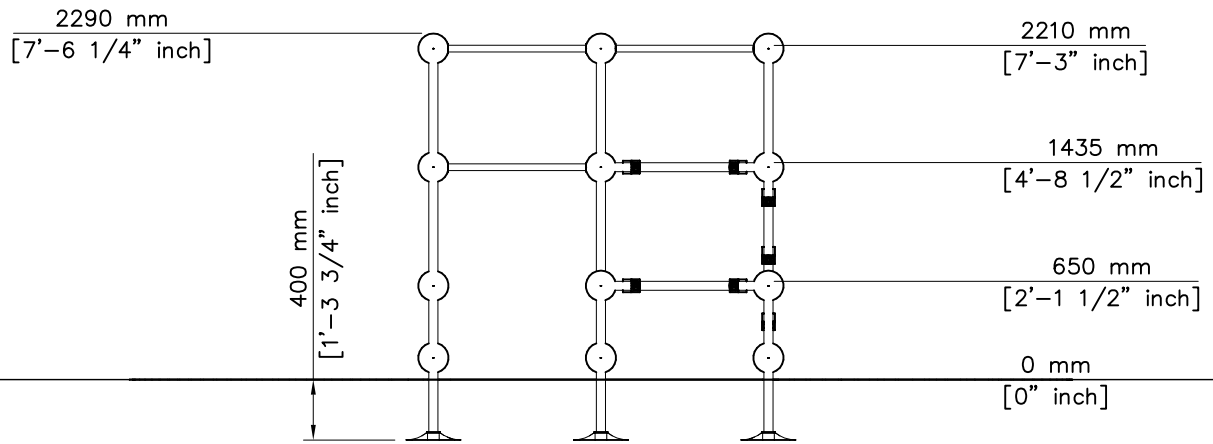
DATE: 23.2.2015

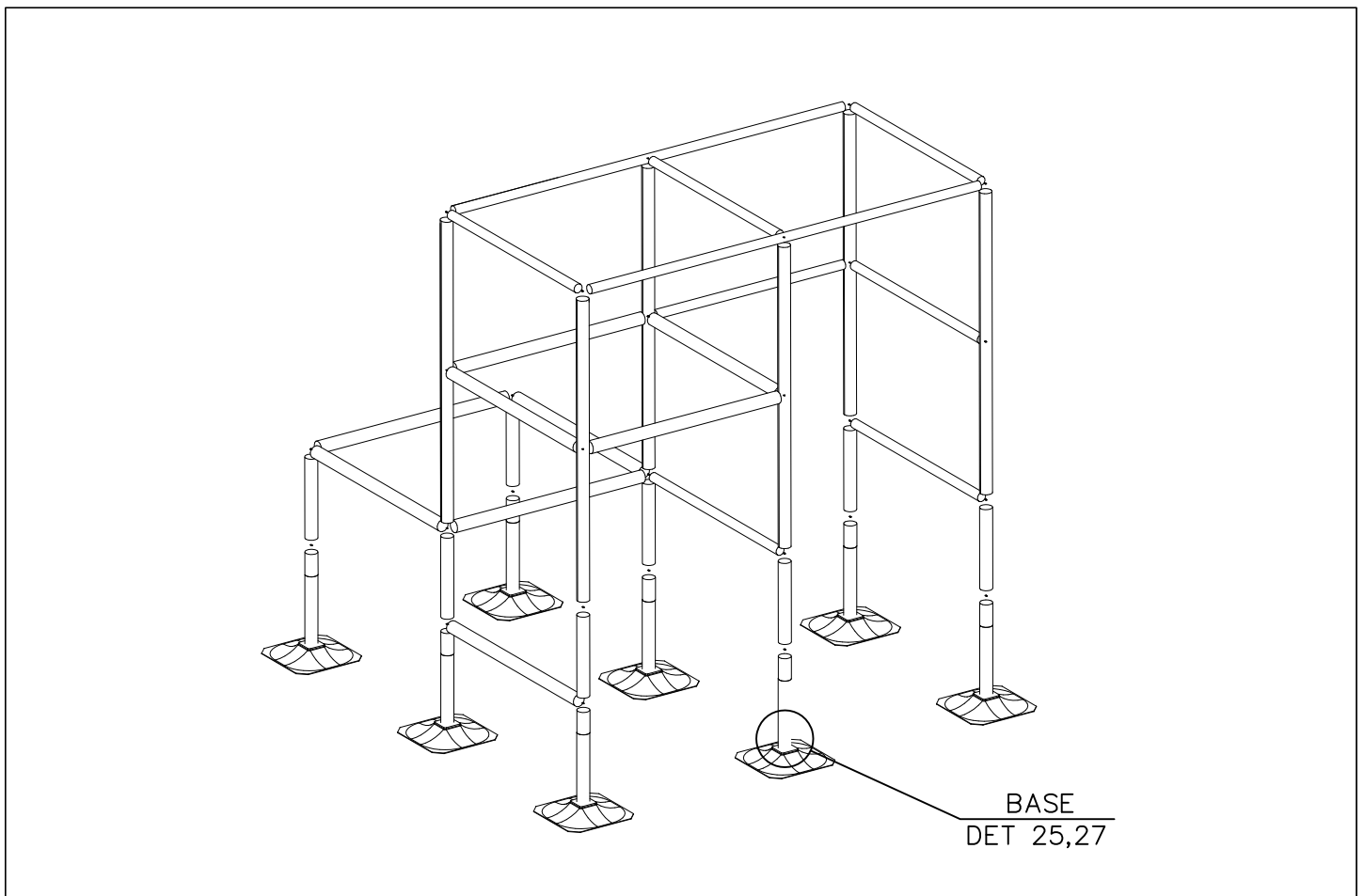
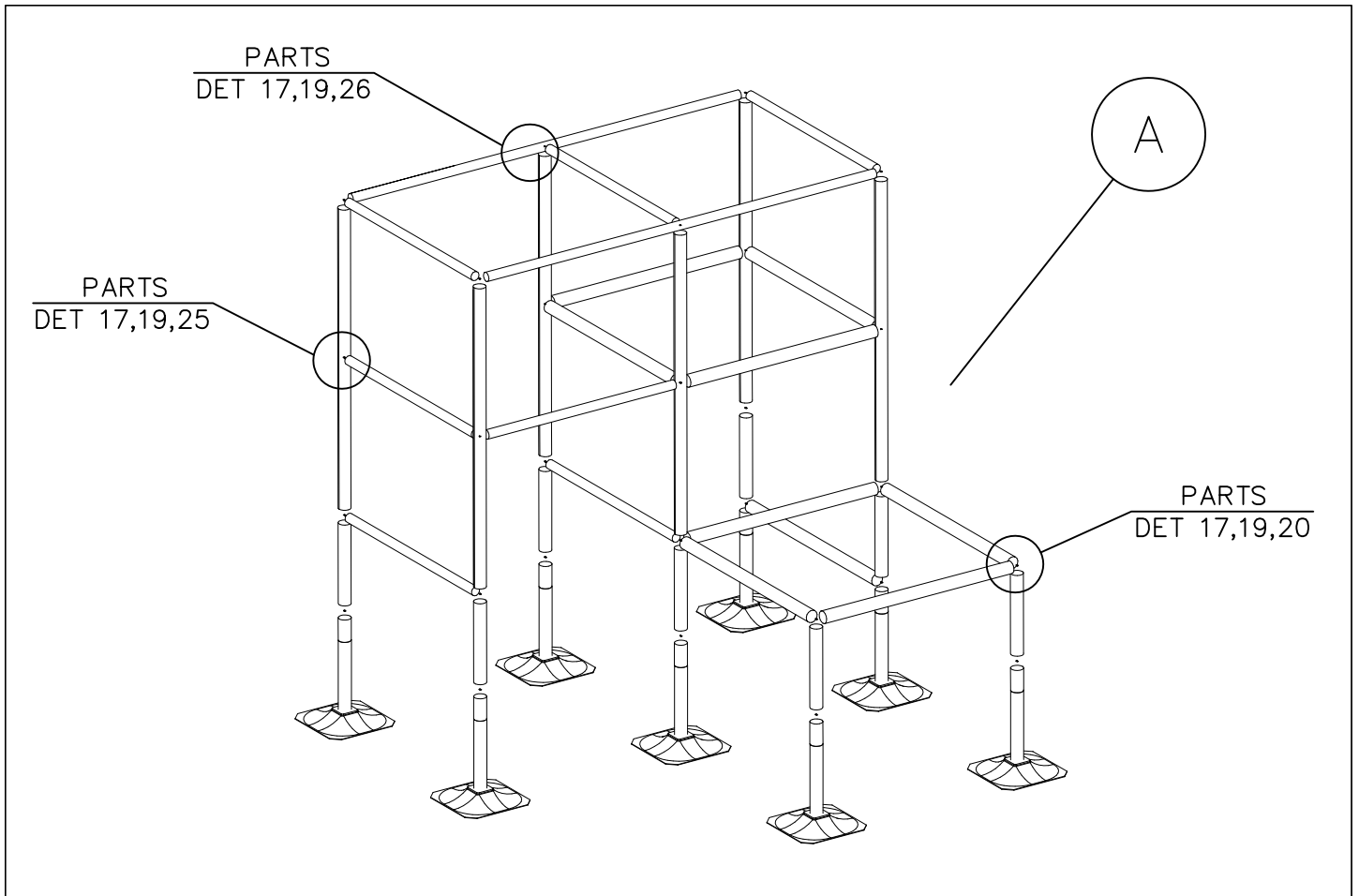
220520

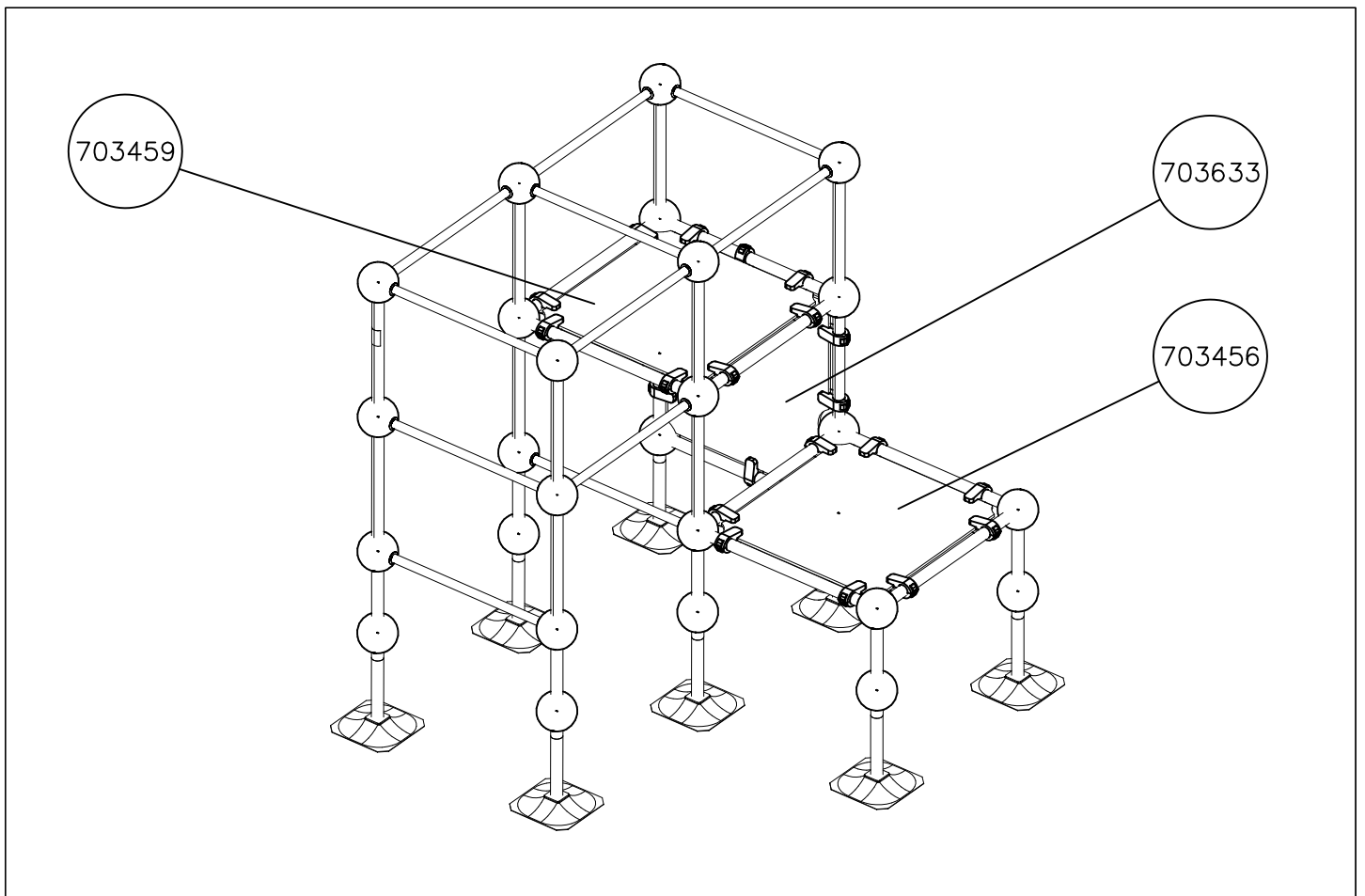
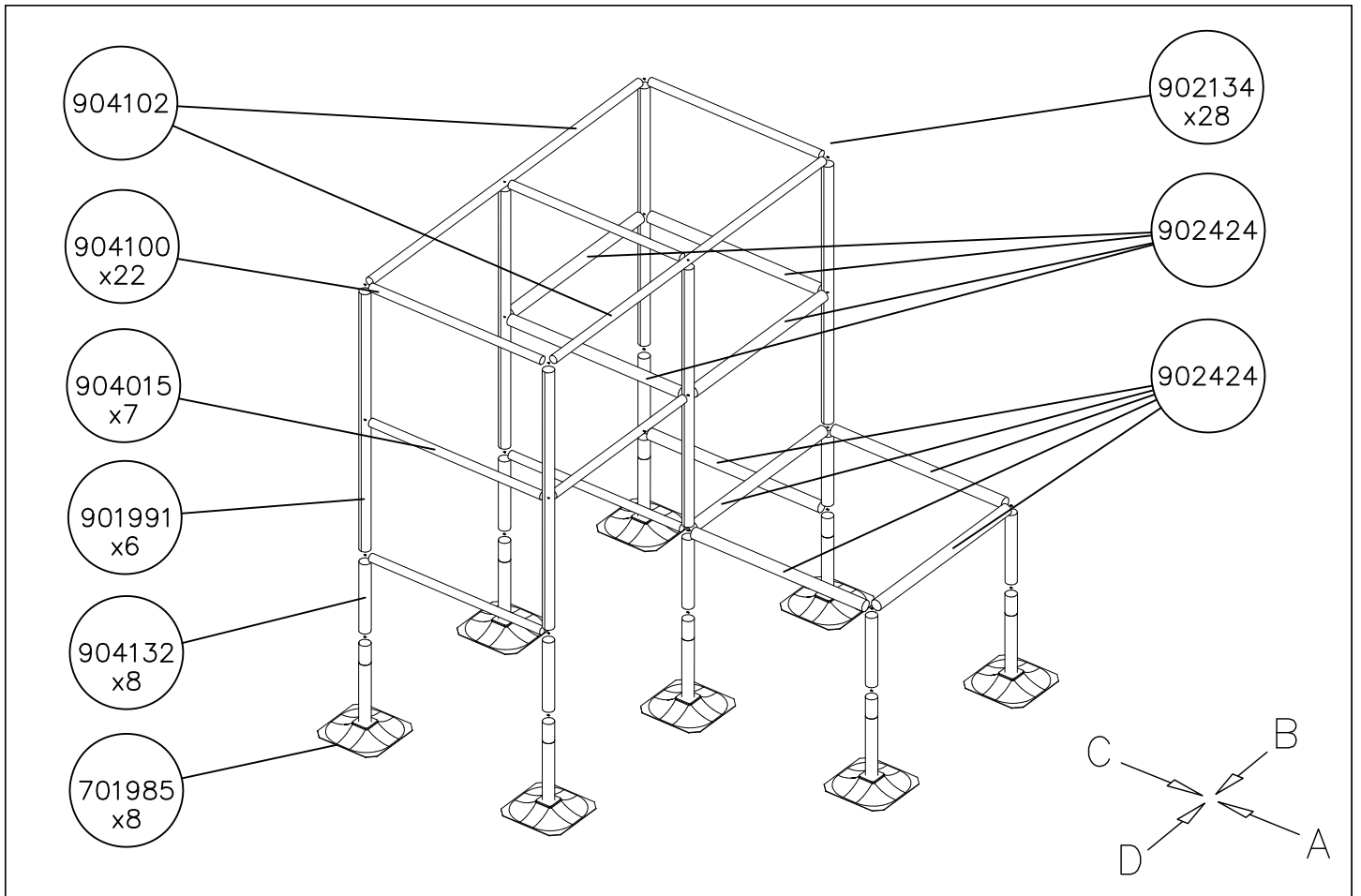


EN/AS Impact Area 30.4 m² (327 sq ft)
Falling Space Area 30.4 m² (327 sq ft)
Max Falling Height 2210 mm (7'-3" in)



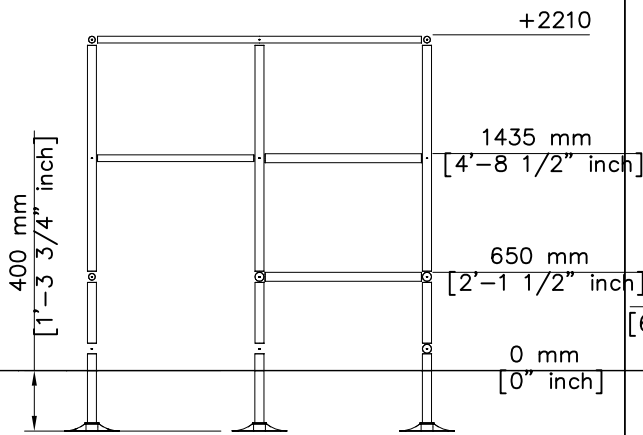




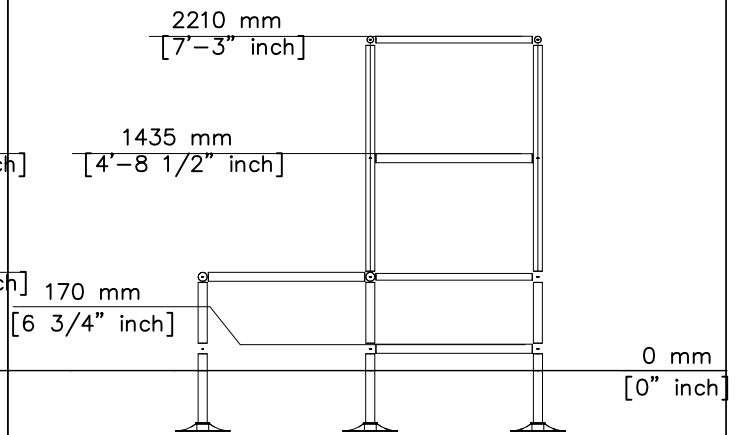


1:50

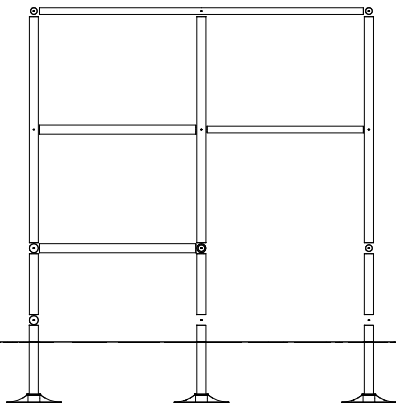
(A)



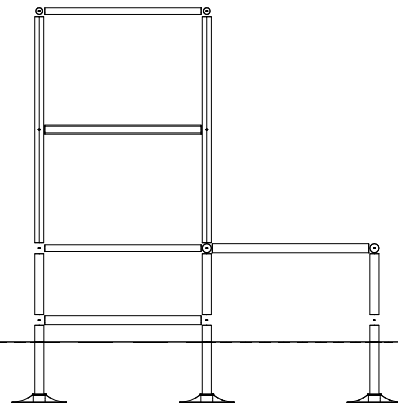
(B)

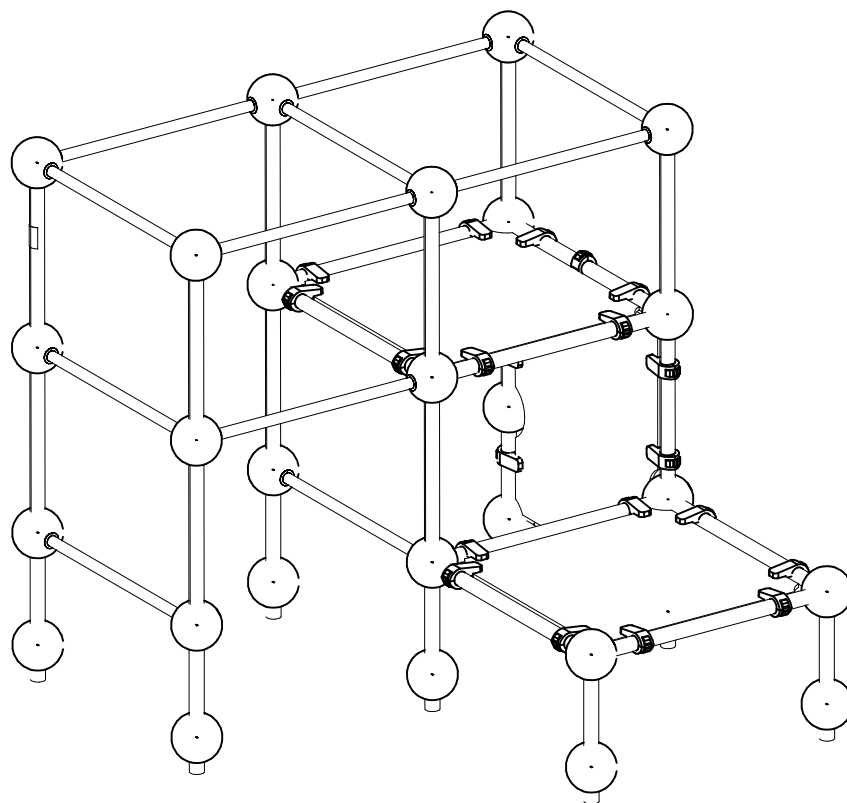


(C)

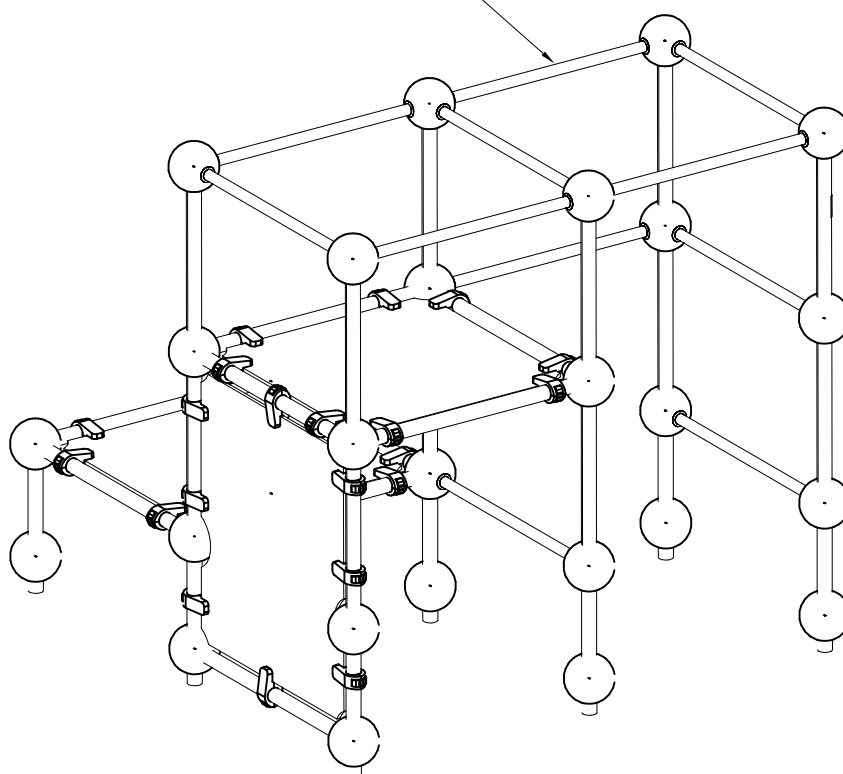


(D)





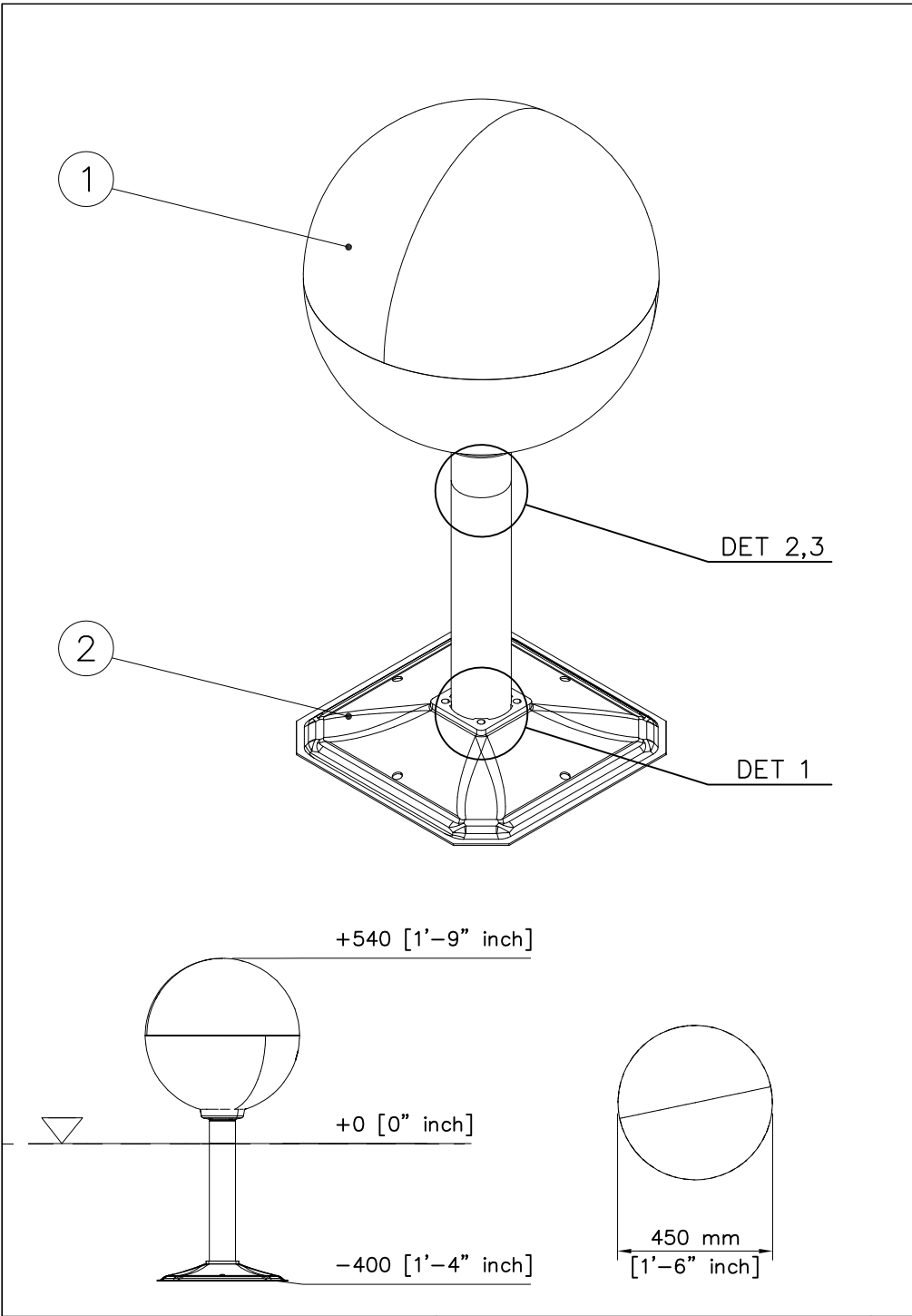
Max Falling Height 2210 mm



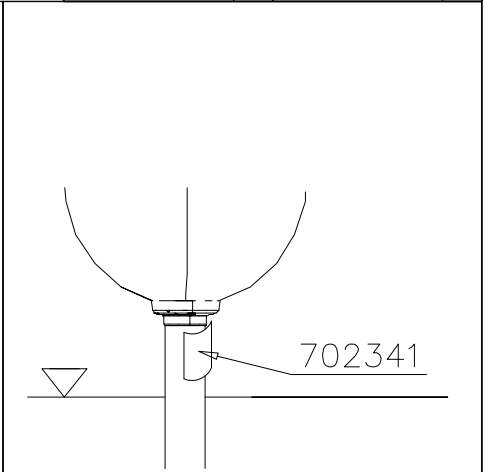
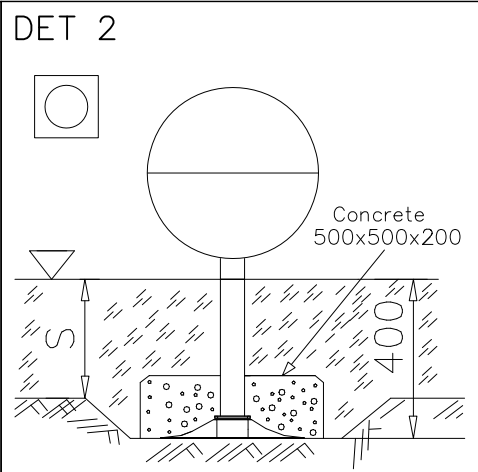
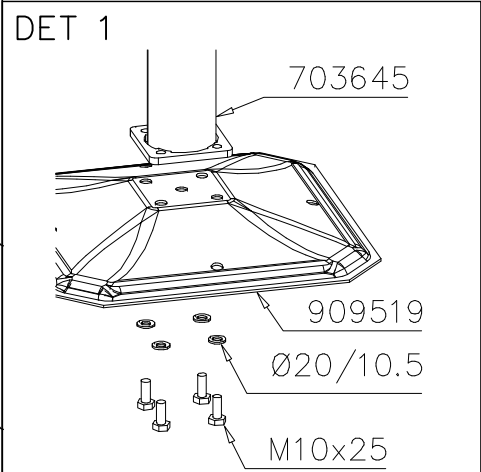
WINAM GROUP PARKOUR

220501

DATE: 26.5.2014



① 703645	PCS	② 909519	PCS
	1		1
		380x380	
③ 909638	PCS	④ 909639	PCS
	4		4
Ø20/10.5		M10x25	
⑤ 702341	PCS		PCS
	1		
	PCS		PCS
	PCS		PCS
	PCS		PCS



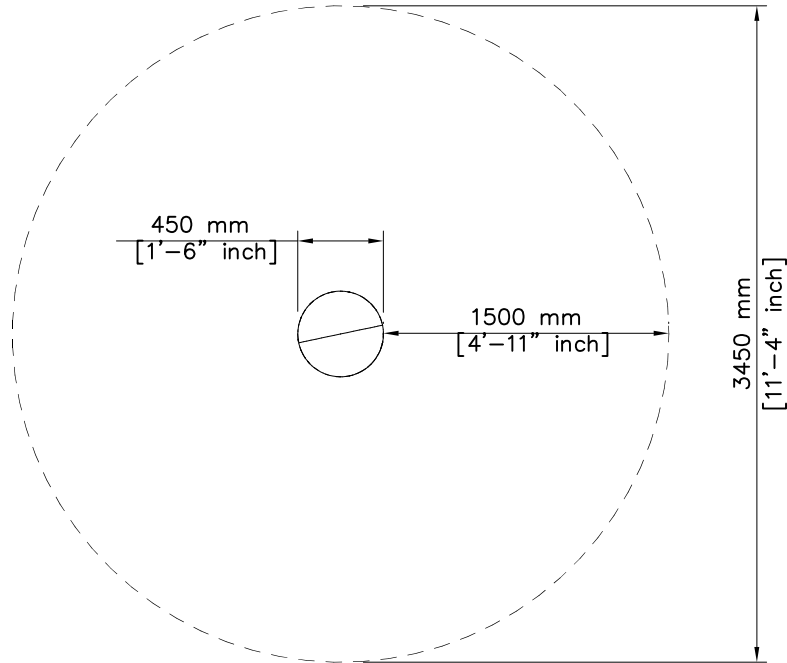
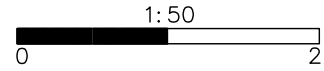
WINAM GROUP PARKOUR

220501

DATE: 11.2.2013



----- Falling Space 9.3 m² (100 sq ft)
Max Falling Height 540 mm (1'-9" in)



WINAM GROUP

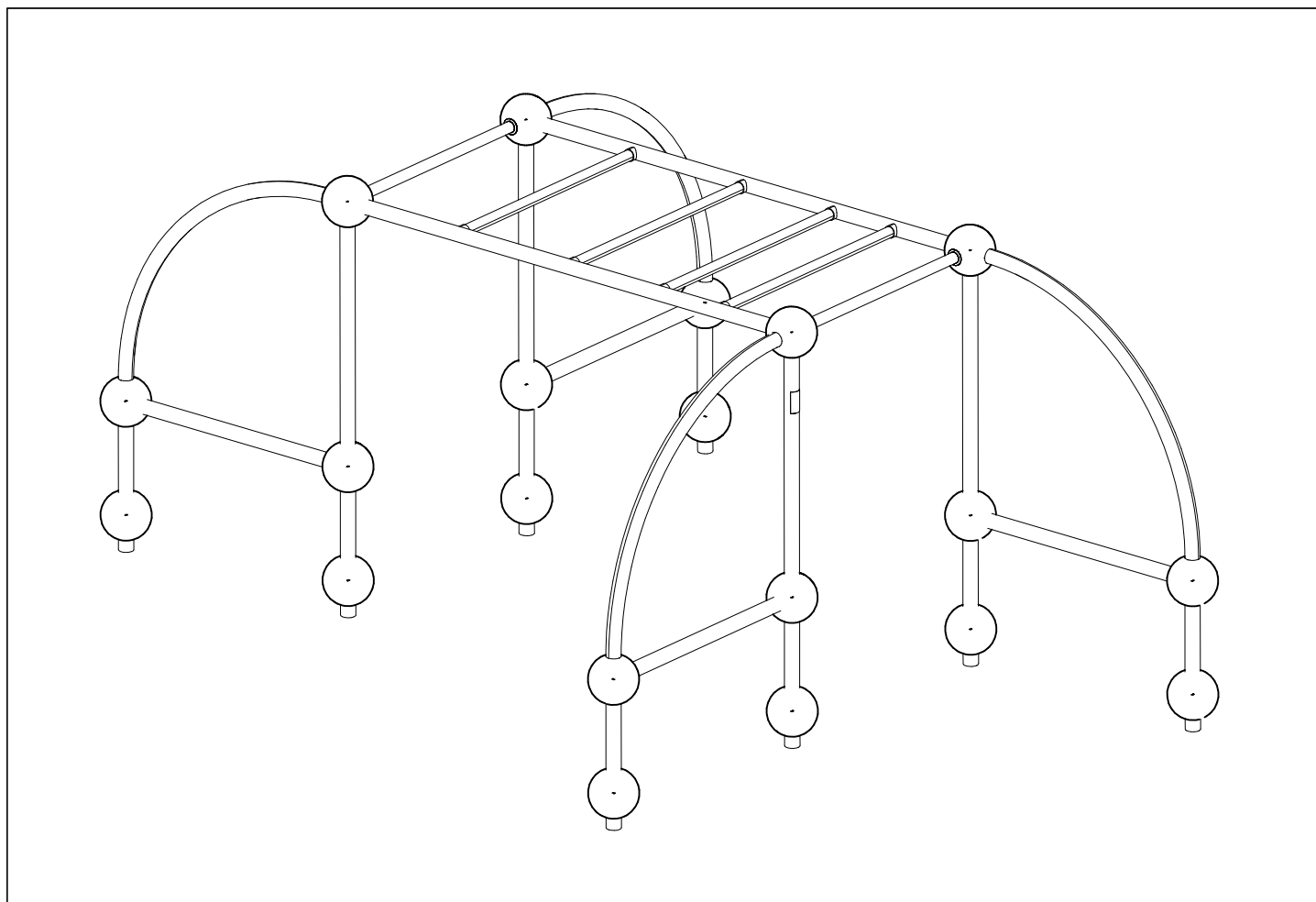
PARKOUR



ASENNUSOHJE
MONTERINGSANSVISNING
INSTALLATION INSTRUCTION
AUFBAUANLEITUNG
NOTICE D'INSTALLATION

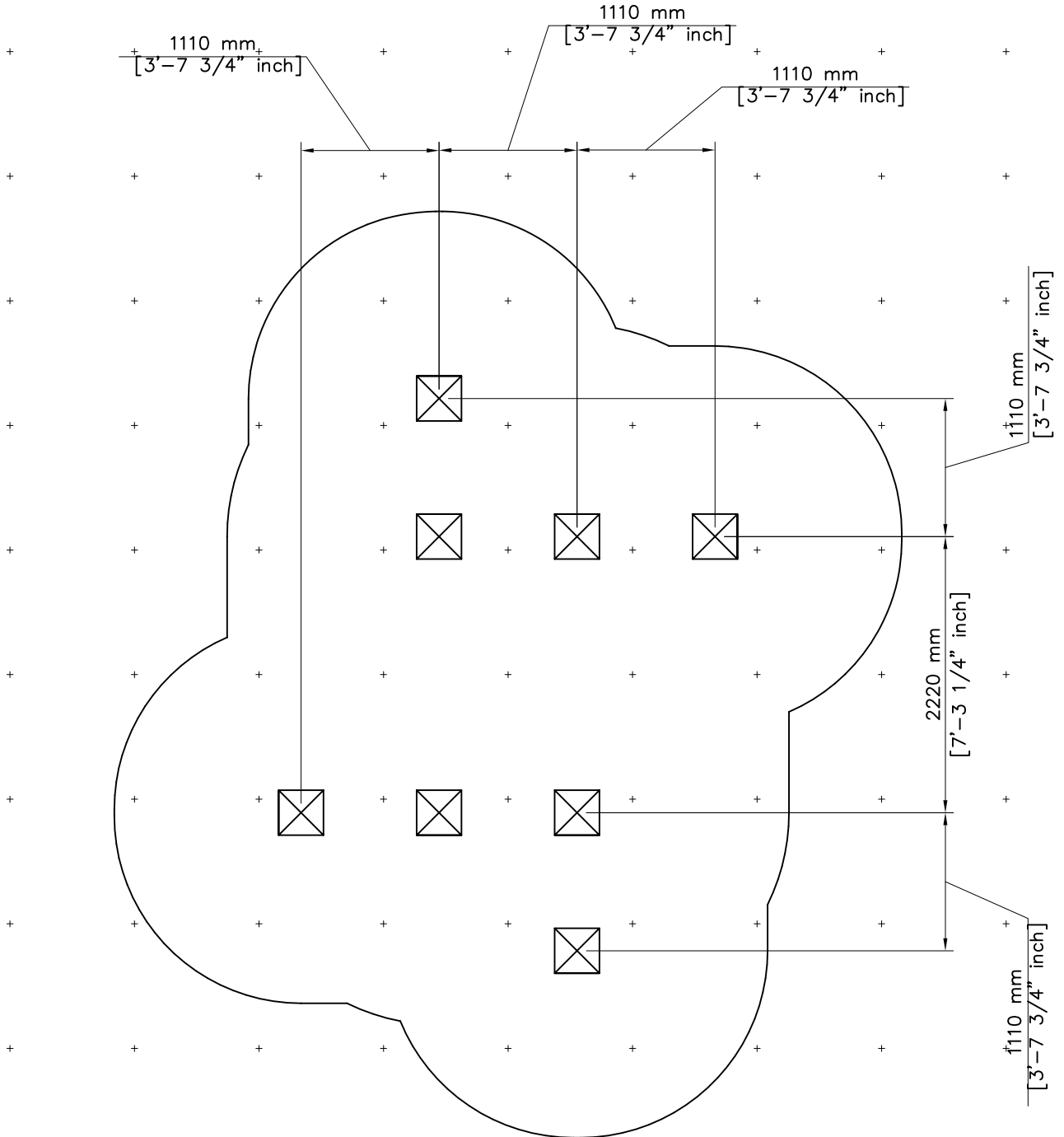
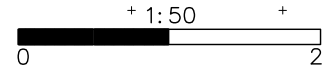
DATE: 20.2.2015

220510

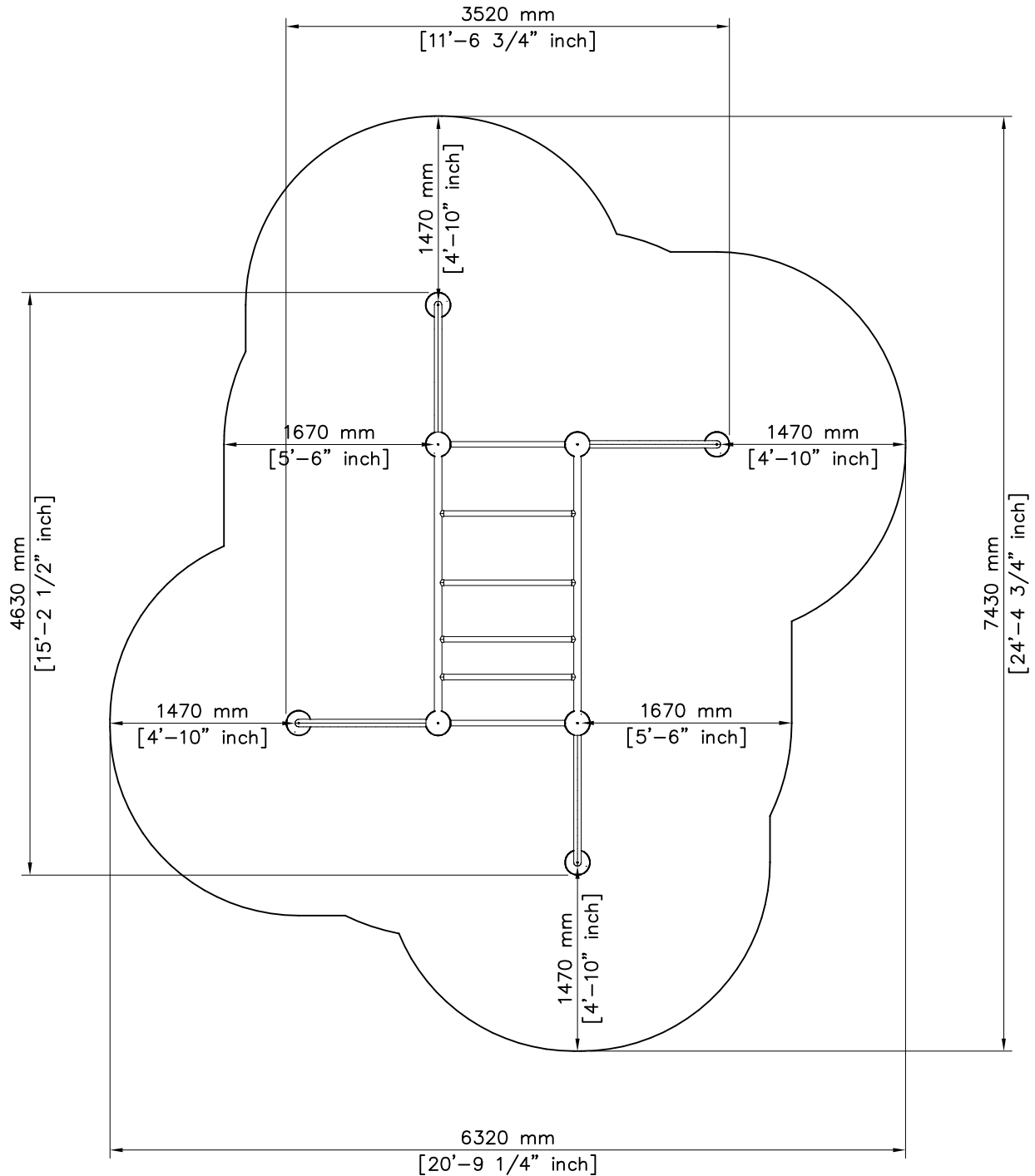
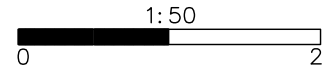


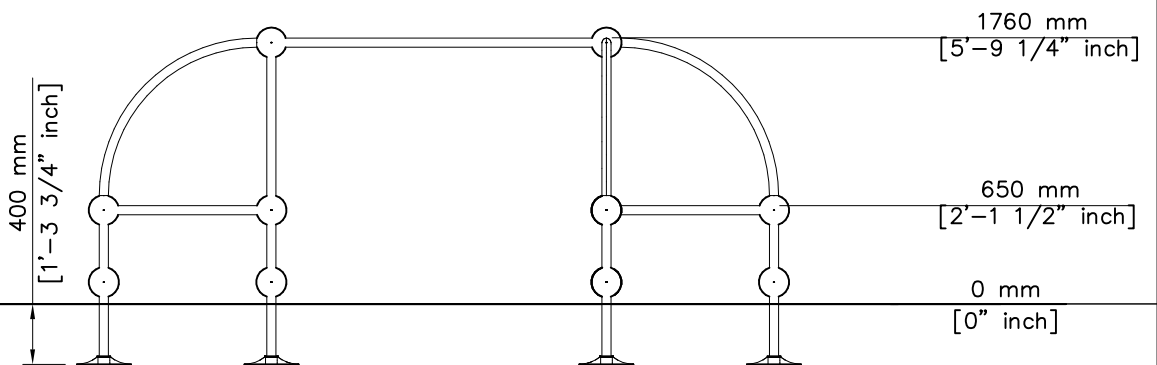
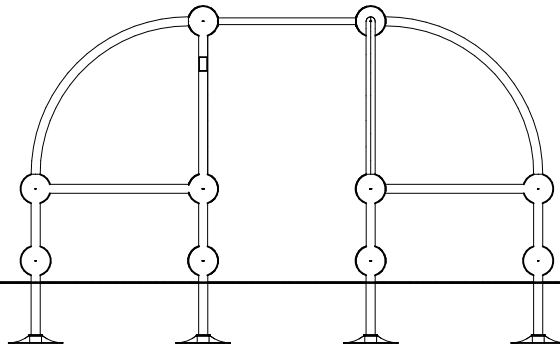
EN/AS Impact Area 31.9 m² (344 sq ft)

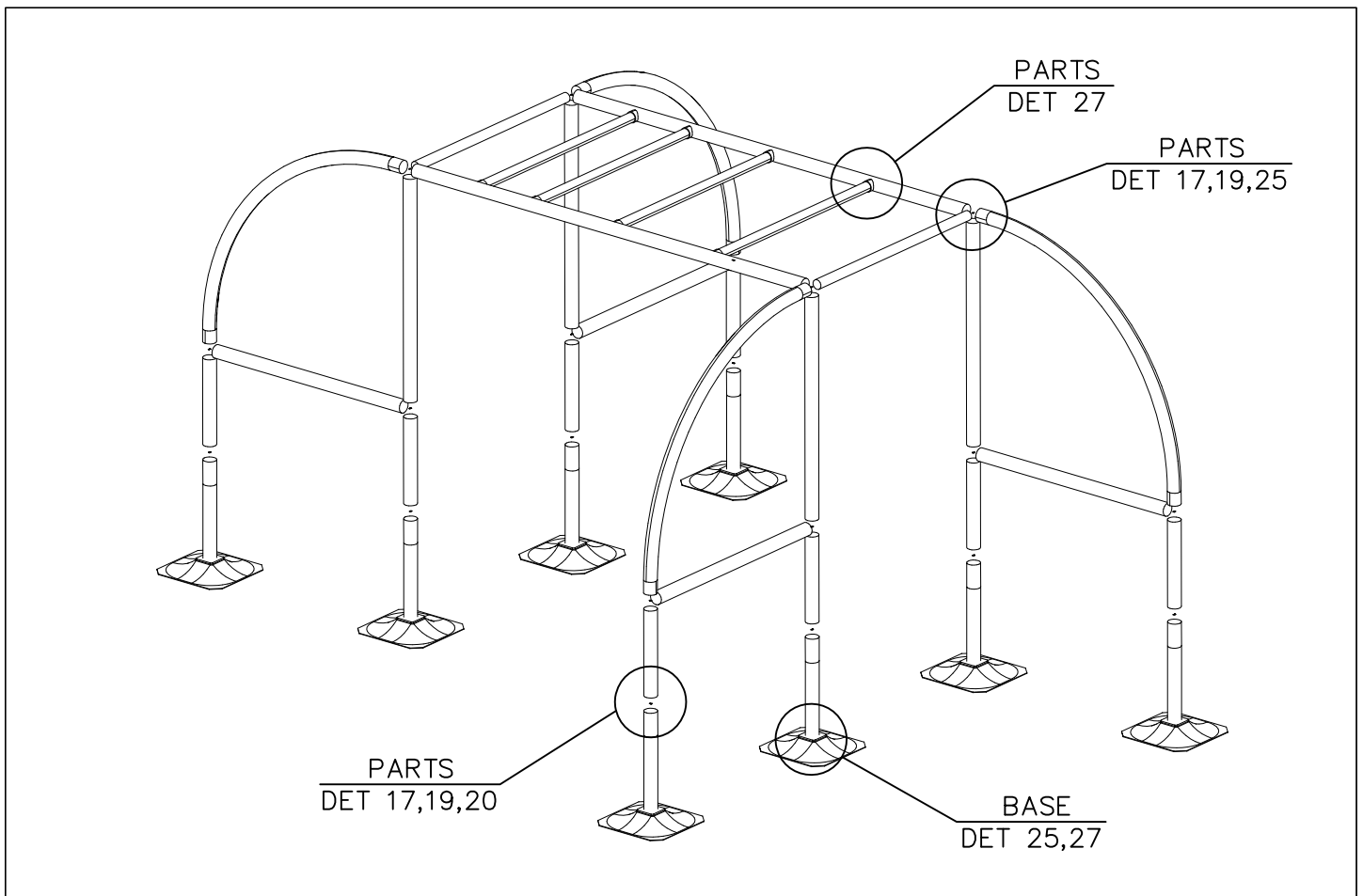
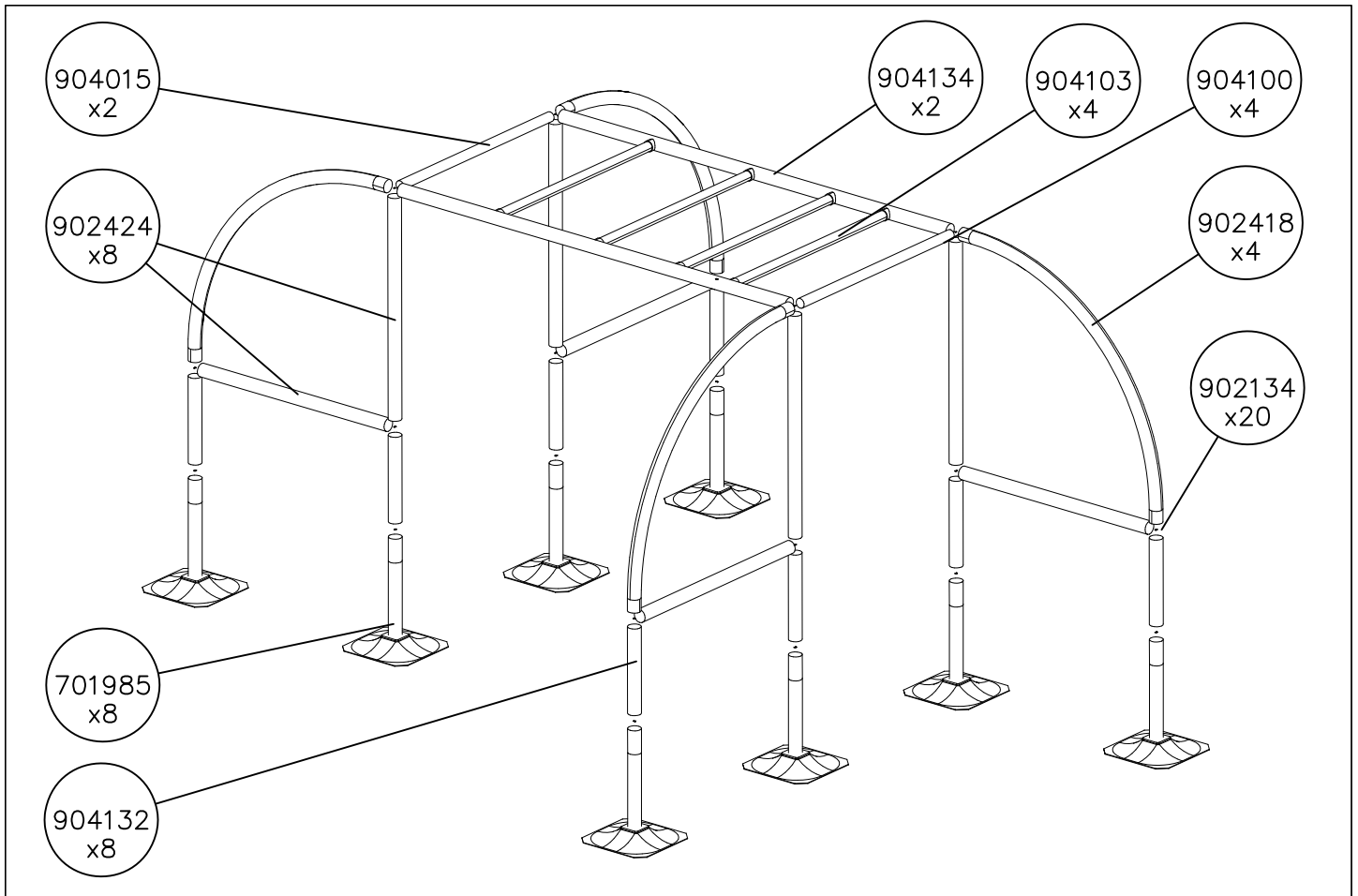
Grid Size 1000 mm (40" in)

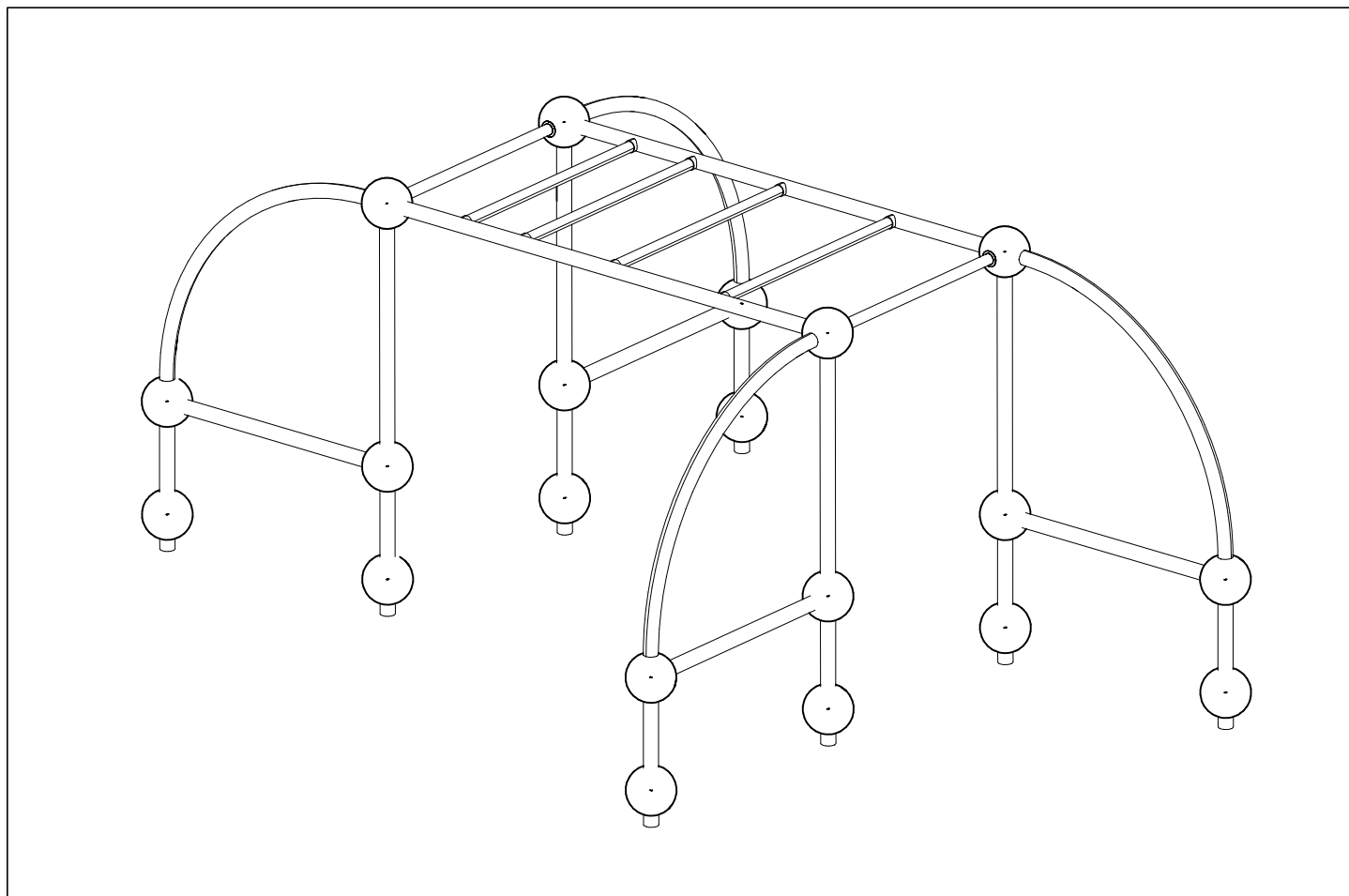
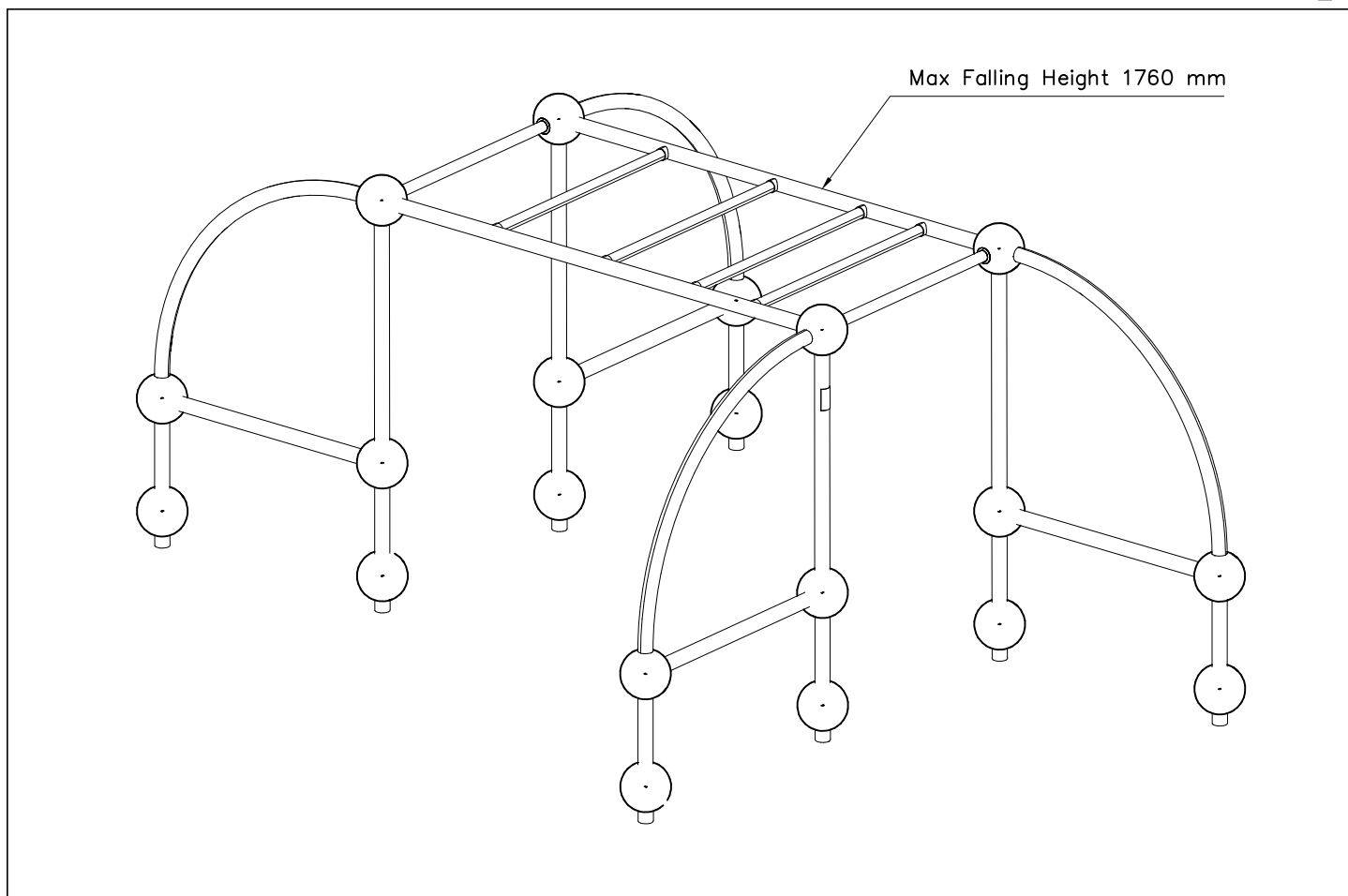


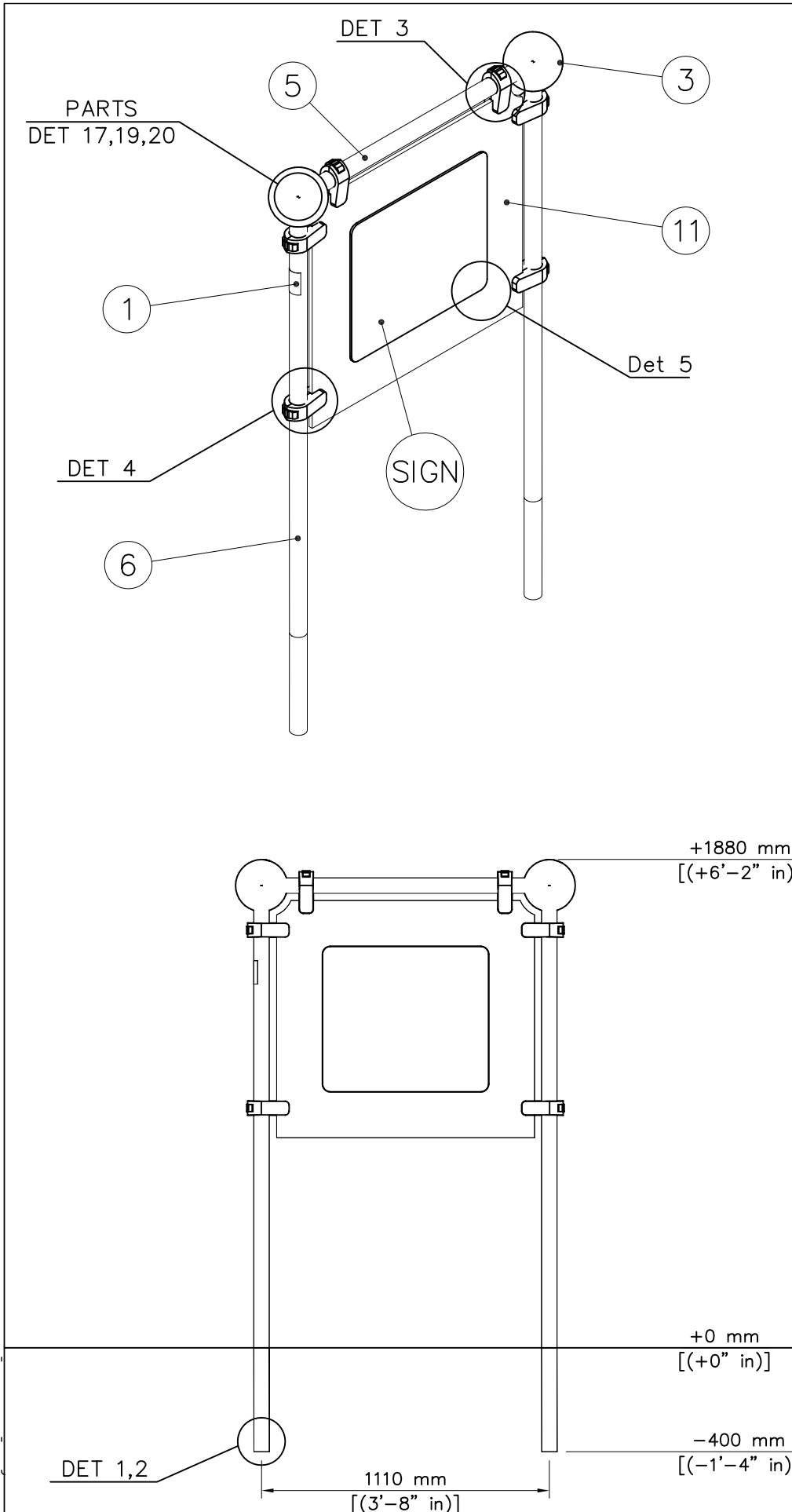
EN/AS Impact Area 31.9 m² (344 sq ft)
Falling Space Area 31.9 m² (344 sq ft)
Max Falling Height 1760 mm (5'-9 1/4" in)


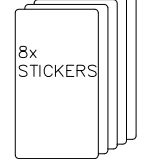
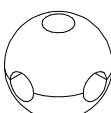

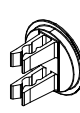
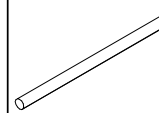
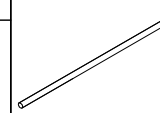
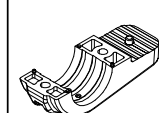
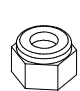
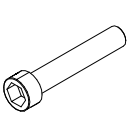
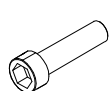
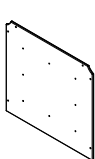
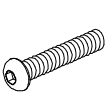
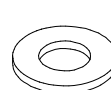
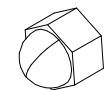
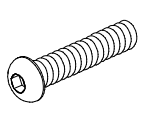



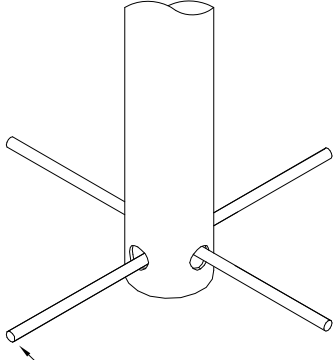
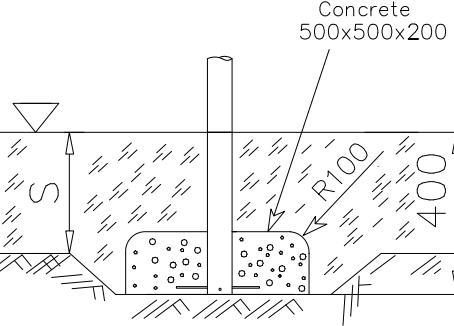
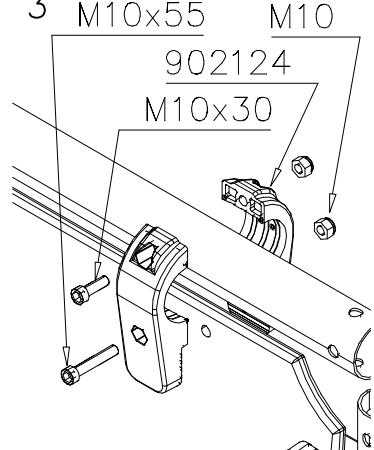
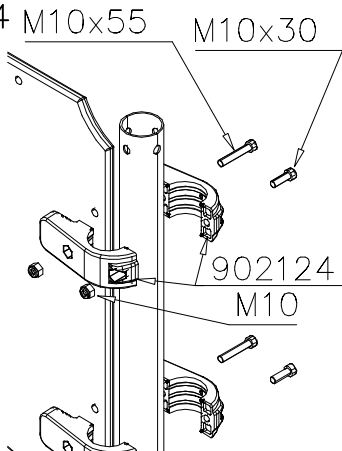
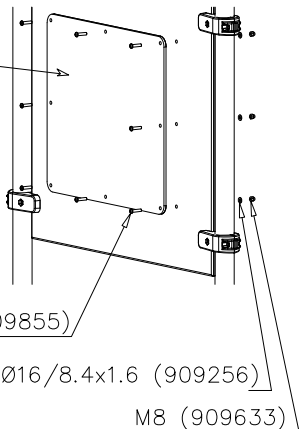
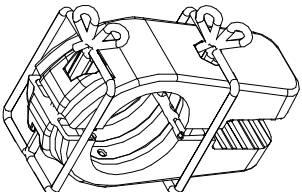
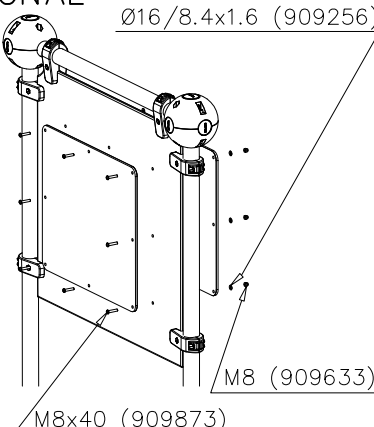








① 702341	PCS	② 704599	PCS
 LAPPEL Group Ltd NON SLIP 123456 7890 111111 222222 333333 444444 555555 666666 777777 888888 999999 000000	1	 8x STICKERS	1
90x50		90x50	
③ 902134	PCS	④ 902157	PCS
 	2		8
		60x60x2	
⑤ 902424	PCS	⑥ 904130	PCS
	1		2
L 1034		L 2148	
⑦ 902124	PCS	⑧ 980161	PCS
	12		12
150x50x50		M10	
⑨ 902232	PCS	⑩ 902233	PCS
	6		6
M10x55		M10x30	
⑪ 704829	PCS	⑬ 909855	PCS
	1		8
15x913x993		M8x35	
⑭ 909256	PCS	⑮ 909633	PCS
	8		8
Ø16/8.4x1.6		M8	
⑯ 909873	PCS	○ 704855- 704866	PCS
	8	 NOT INCLUDED 8x560x640	1
M8x40			

<p>DET 1</p>  <p>RIBBED BAR Ø8x300</p>	<p>DET 2</p>  <p>Concrete 500x500x200</p>	<p>DET 3</p>  <p>M10x55 M10 902124 M10x30</p>
<p>DET 4</p>  <p>M10x55 M10x30 902124 M10</p>	<p>DET 5</p>  <p>NOTE: Various signs.</p> <p>HUOM: Useita erilaisia kyttejä.</p> <p>M8x35 (909855) Ø16/8.4x1.6 (909256) M8 (909633)</p>	 <p>NOTE: Use a wire marked pairs of the same junction.</p> <p>Huom! Käytä langalla merkittyä paria samassa liitoksessa.</p>
<p>OPTIONAL</p>  <p>Ø16/8.4x1.6 (909256) M8 (909633) M8x40 (909873)</p>		

WINAM GROUP PARKOUR

220543

DATE: 31.7.2015

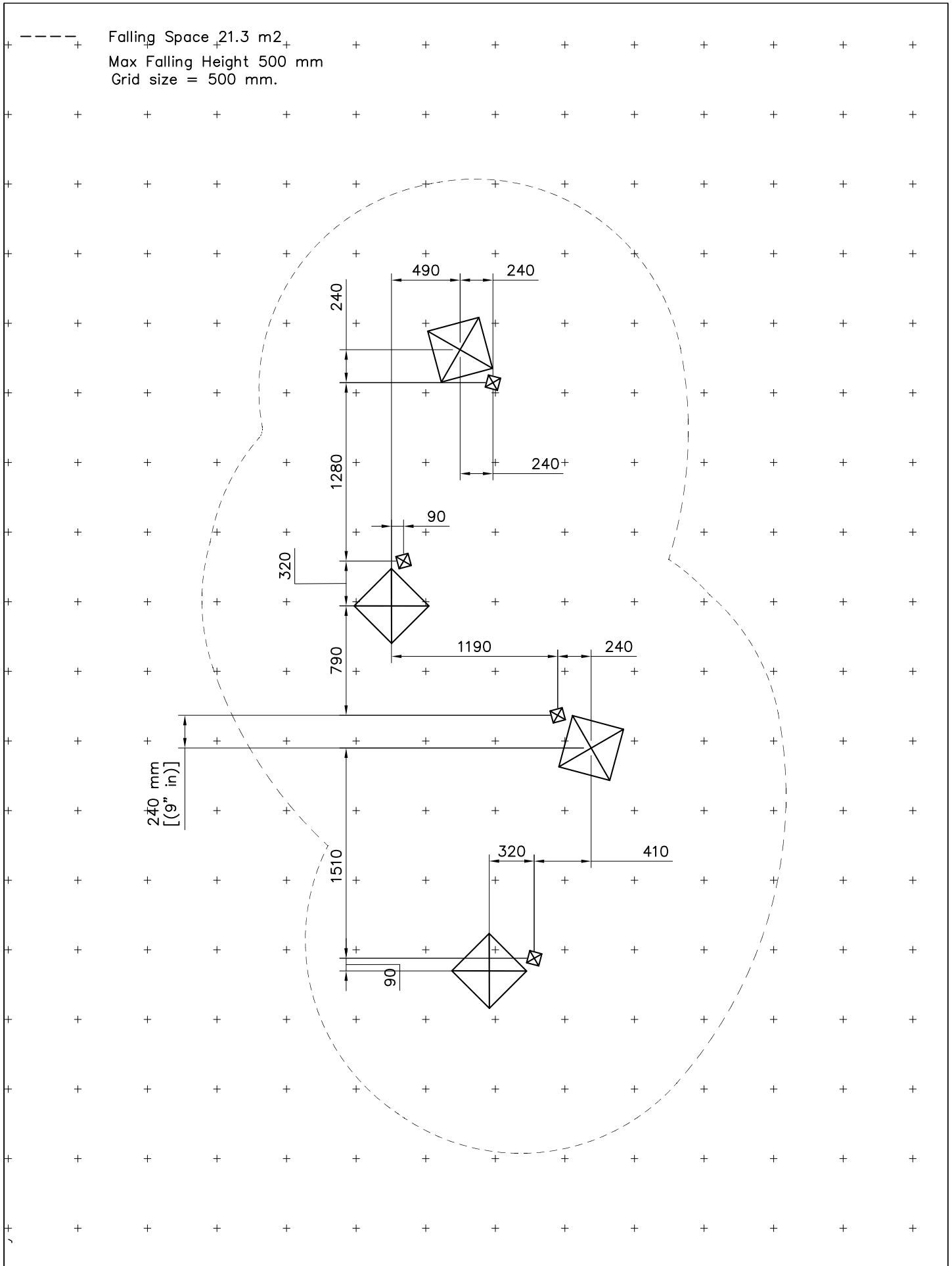


	<p>① 702341 PCS 1 90x50</p>	<p>② 703638 PCS 4</p>
	<p>③ 902134 PCS 4</p>	<p>④ 904747 PCS 10 60x60x2</p>
<p>DET 1</p> <p>Concrete 550x550x200</p> <p>350 400 S</p> <p>DET 2</p> <p>550 550</p>	<p>⑤ 902418 PCS 3</p>	<p>⑥ 904146 PCS 4</p>
	<p>PCS</p>	<p>PCS</p>
<p>+500 +0</p>	<p>PCS</p>	<p>PCS</p>
<p>PCS</p>	<p>PCS</p>	<p>PCS</p>
<p>PCS</p>	<p>PCS</p>	<p>PCS</p>
<p>PCS</p>	<p>PCS</p>	<p>PCS</p>

WINAM GROUP PARKOUR

220543

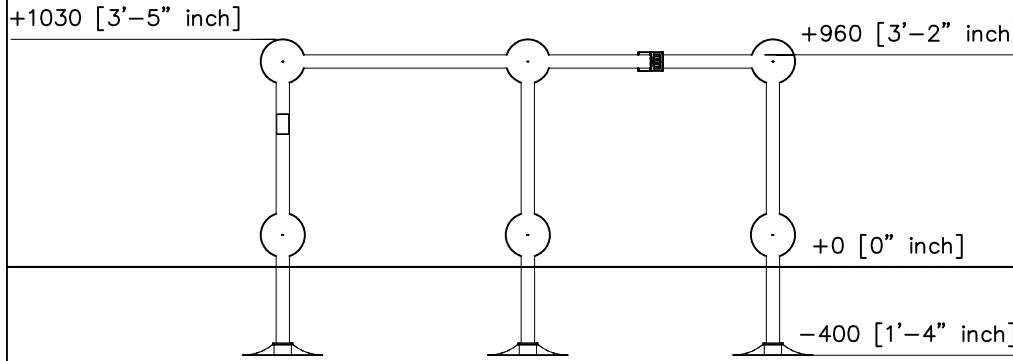
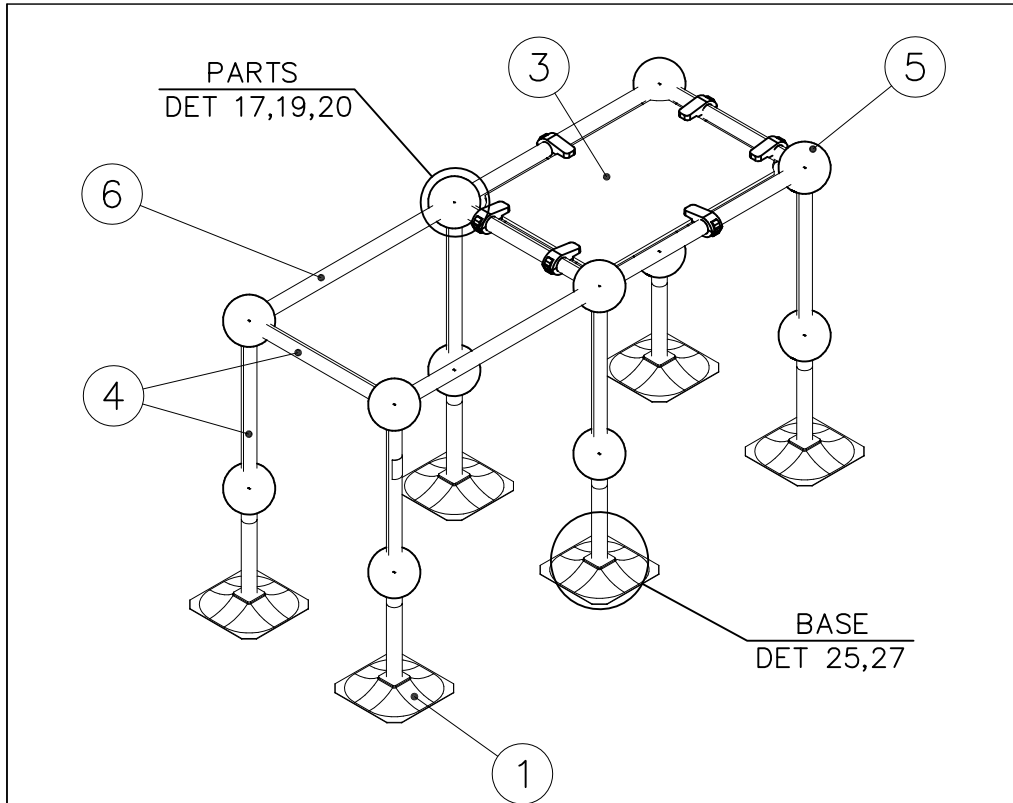
DATE: 31.7.2015



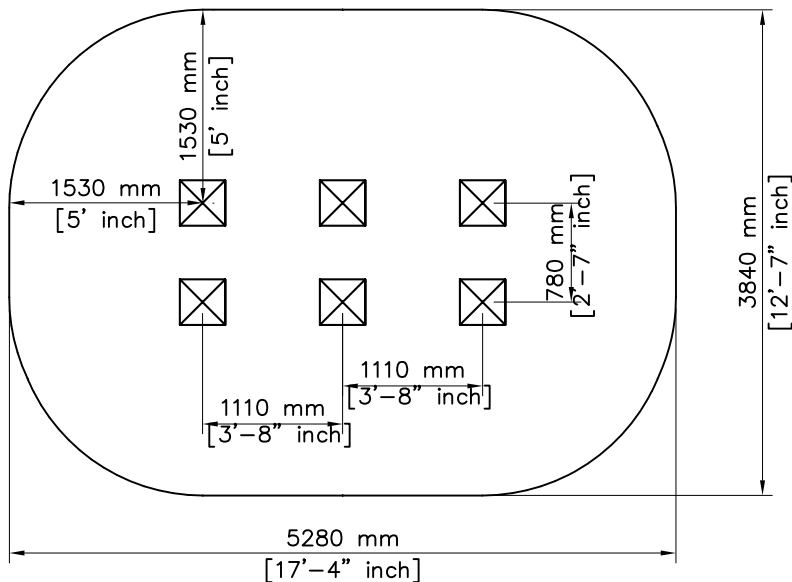
WINAM GROUP PARKOUR

220545

DATE: 24.2.2015



EN/AS Impact Area 18.2 m² (196 sq ft)
 Falling Space Area 18.2 m² (196 sq ft)
 Max Falling Height 960 mm (3'-2" in)

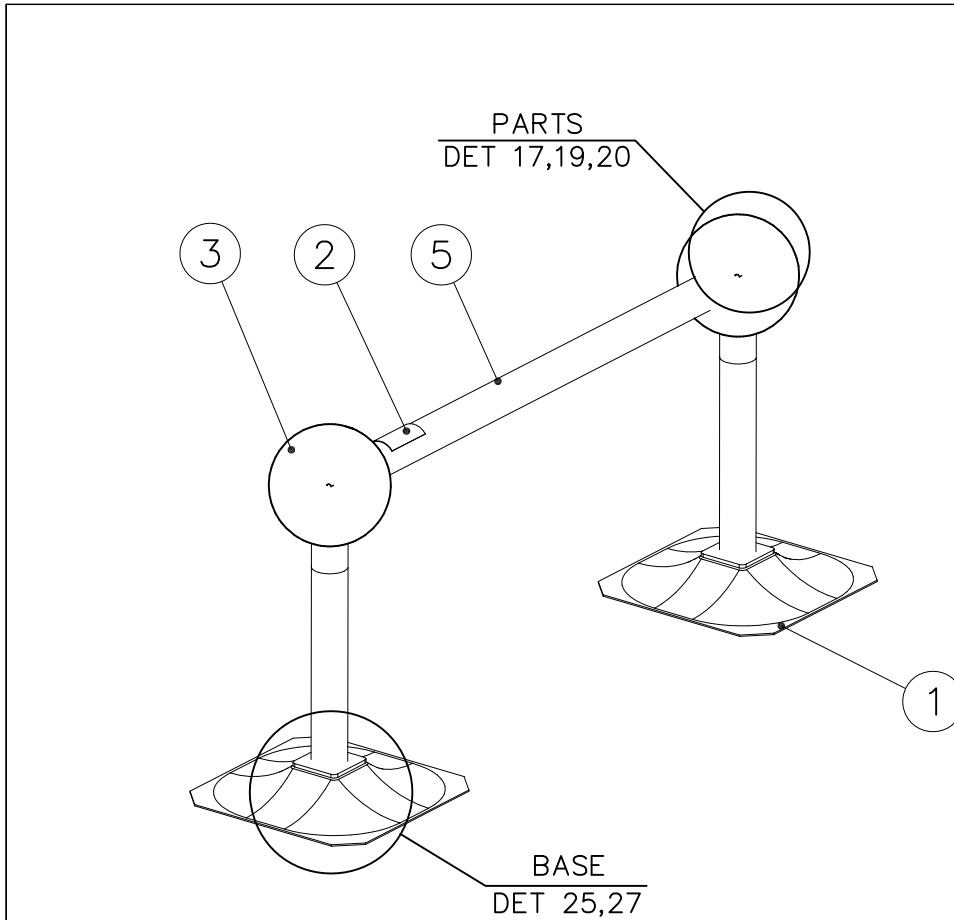


① 701985	PCS	② 702341	PCS
	6		1
		90x50	
③ 703486	PCS	④ 902022	PCS
	1		9
		L 710	
⑤ 902134	PCS	⑥ 902424	PCS
	12		4
		L 1034	
⑦ 904747	PCS		PCS
	40		
		60x60x2	
	PCS		PCS
	PCS		PCS
	PCS		PCS

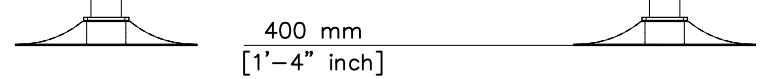
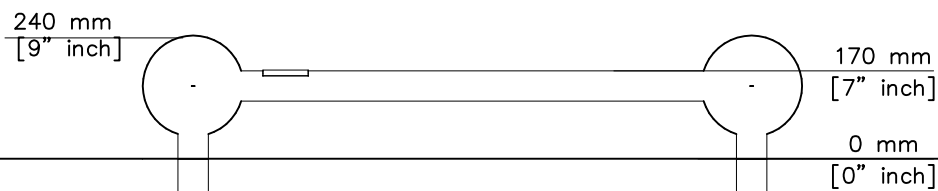
WINAM GROUP PARKOUR

220540

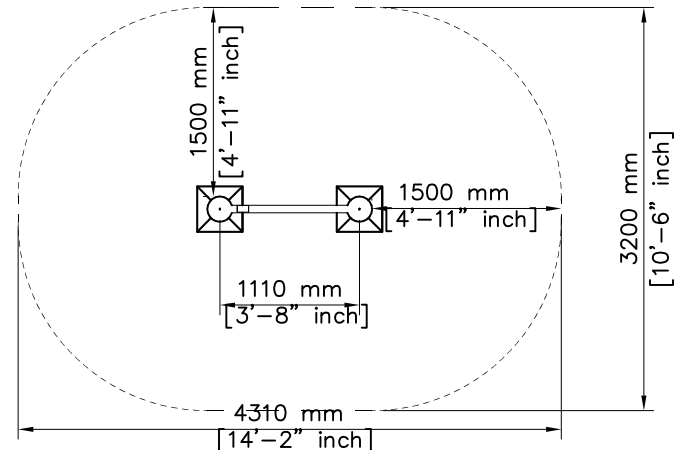
DATE: 7.1.2016

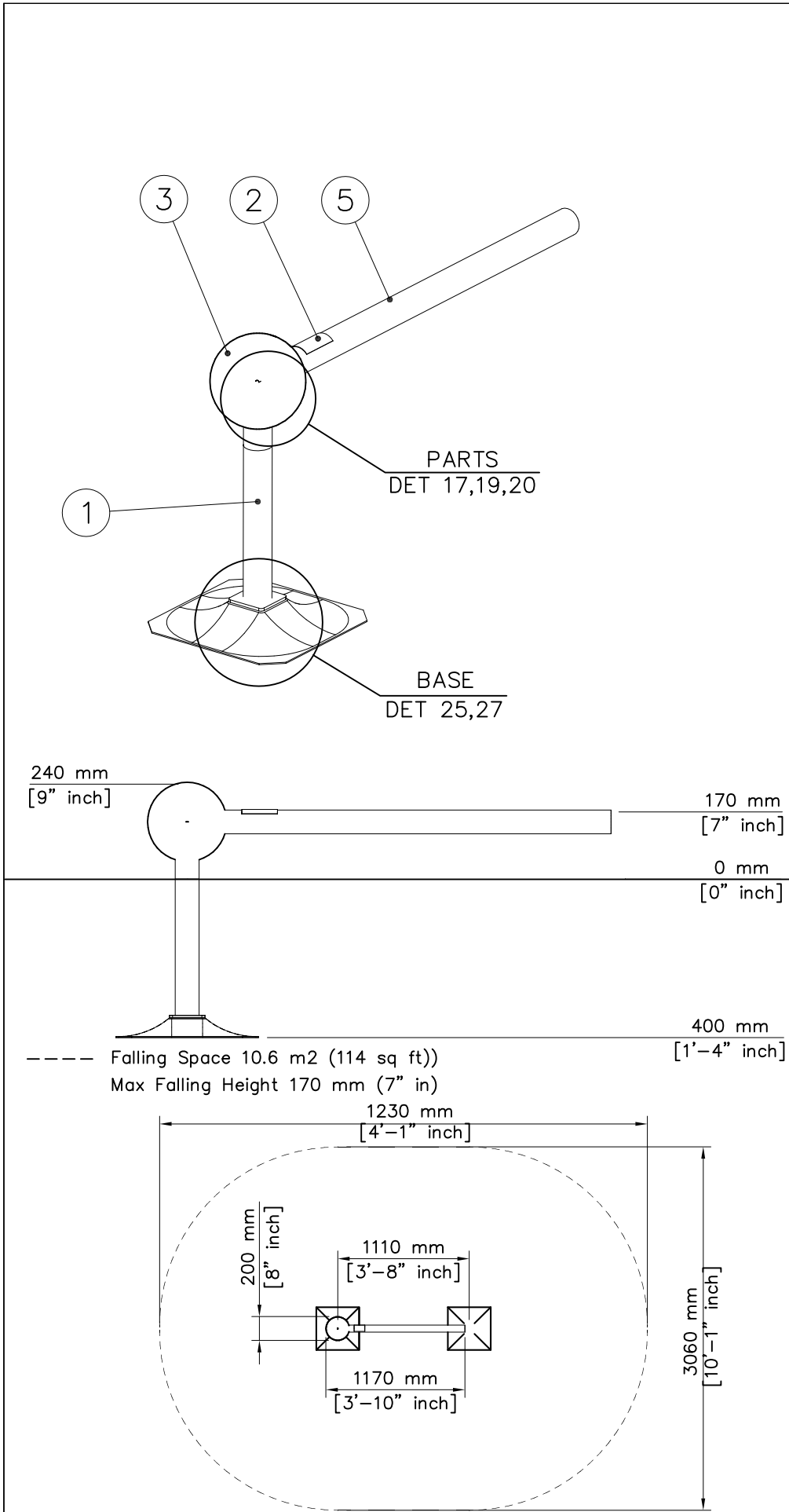


① 701985	PCS	② 702341	PCS
	2		1
		90x50	
③ 902134	PCS	④ 904747	PCS
	2		8
		60x60x2	
⑤ 902424	PCS		PCS
	1		
L 1034			
	PCS		PCS
	PCS		PCS
	PCS		PCS
	PCS		PCS



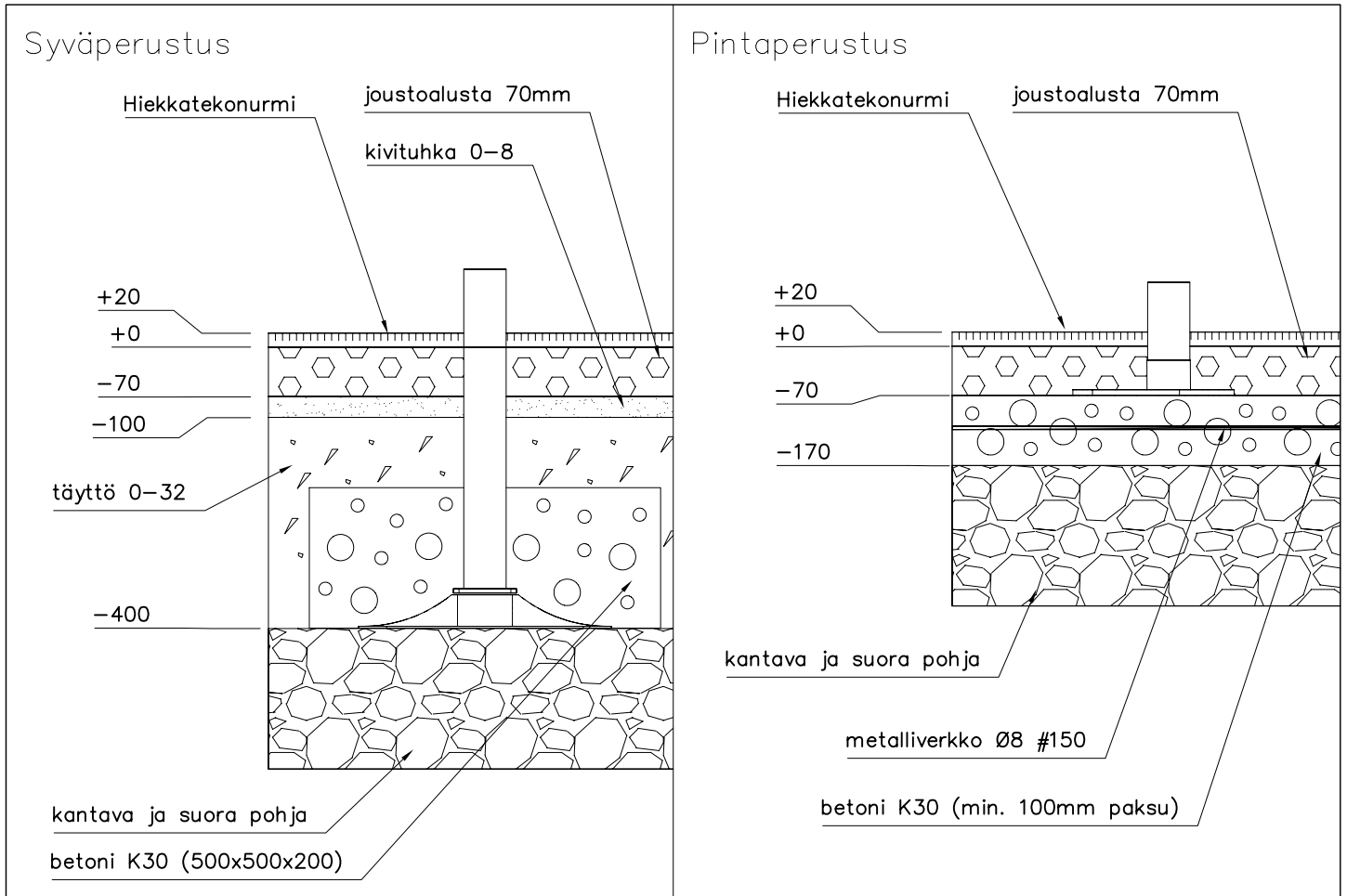
Falling Space 11.9 m² (128.4 sq ft)
Max Falling Height 170mm (7" in)





① 701985	PCS	② 702341	PCS
	1		1
		90x50	
③ 902134	PCS	④ 904747	PCS
	1		4
		60x60x2	
⑤ 902424	PCS		PCS
	1		
L 1034			
	PCS		PCS
	PCS		PCS
	PCS		PCS
	PCS		PCS

DATE: 18.8.2011



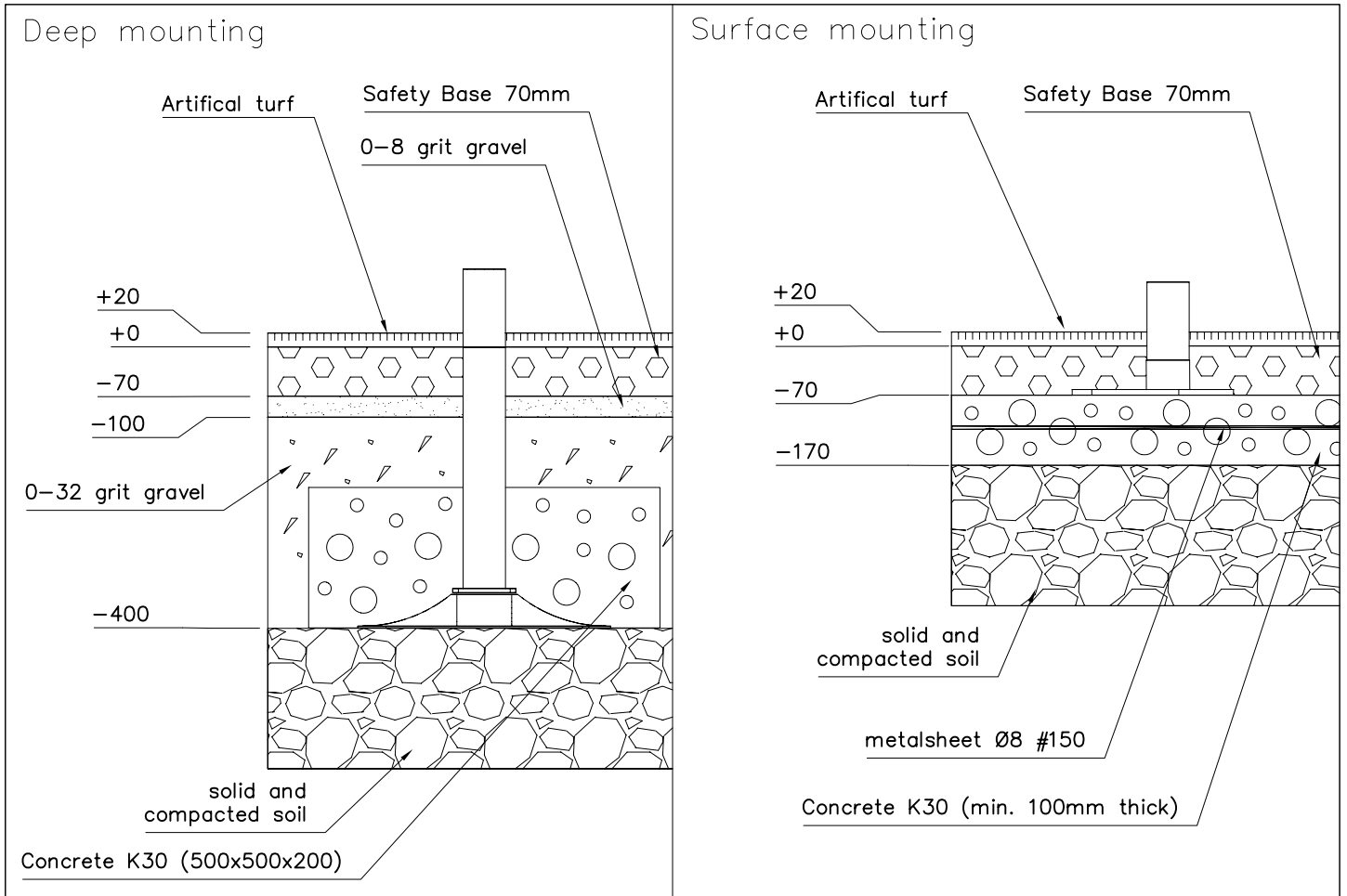
Syväperustus

1. Kaivetaan 400mm syvä kaivanto pinnan korosta. Jotkin välineet tarvitsevat syvämmän kaivannon (katso tuotteiden asennusohjeet).
Huom! Kantava ja suora perustusten pohja.
2. Asennetaan välineet.
3. Valetaan betonit. Jotkin välineet voivat vaatia isomman valun, katso yksittäisten tuotteiden asennusohjeet.
4. Täytetään 0-32 oikeaan korkoon.
5. Tiivistetään täyttö.
6. Täytetään kivituhkalla (0-8) n.30mm kerros jonka jälkeen tasoitetaan ja tiivistetään hyvin.(+/-10mm/4m oikolauta)
7. Tämän jälkeen asennetaan nurmi (katso asennusohje).

Pintaperustus

1. Kaivetaan 170mm syvä kaivanto pinnan korosta.
Huom! Kantava ja suora perustusten pohja.
2. Valetaan betonilaatta (min. 100mm paksu). Koko riippuu kentän koosta (S,M,L).
3. Asennetaan välineet.
4. Asennetaan joustopalat ohjeen mukaisesti (katso asennusohje).
5. Tämän jälkeen asennetaan nurmi (katso asennusohje).

DATE: 18.8.2011



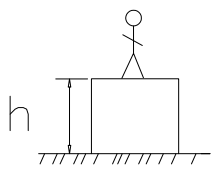



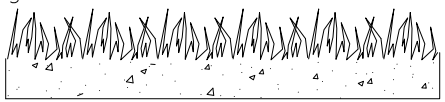
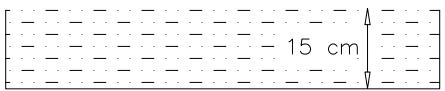
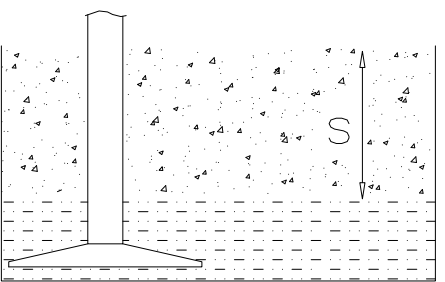
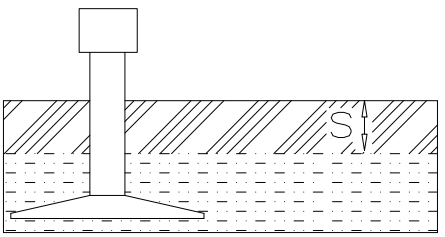
Deep mounting

1. Start by digging 400 mm deep excavation. Some equipment may need more depth, see assembly instructions for individual equipment.
2. Assemble the equipment according to assembly instructions.
3. Make concrete blocks. Some equipment may need bigger block, see assembly instructions.
4. Fill with 0–32 grit to correct level.
5. Compact the layer.
6. Spread 30 mm thick layer using grit 0–8 gravel. Compact and level it thoroughly. (+/-10mm/4m)
7. Assemble the safety base according to assembly instructions.
8. Assemble the turf according to assembly instructions.

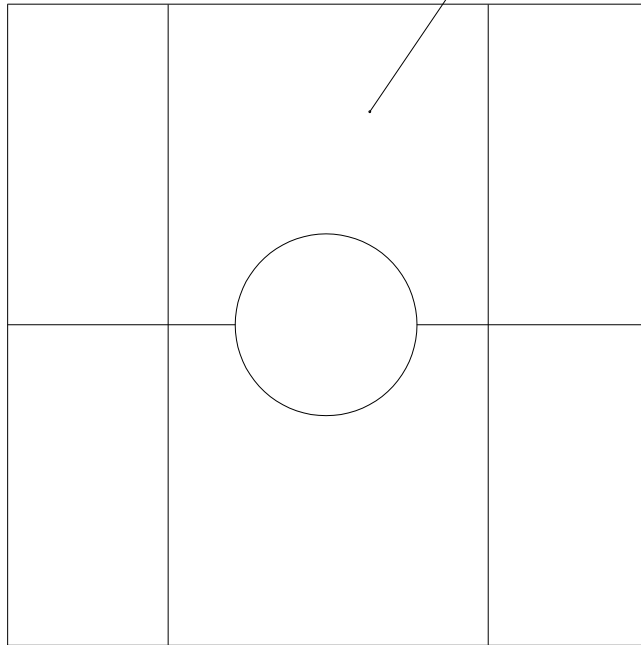
NOTE: Also the soil below the starting level (-400) needs to be solid and compact.

Surface mounting

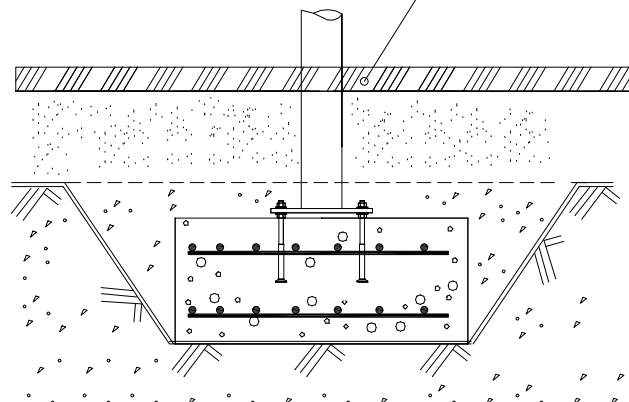
1. Start by digging 170 mm deep excavation.
2. Make concrete plate, see illustration (min. 100mm thick). Size depends on the size of the Parkour field (S,M,L).
3. Assemble the equipment according to assembly instructions.
4. Assemble the safety base according to assembly instructions.
5. Assemble the turf according to assembly instructions.

												
<p>$h < 600$</p> <p>Without movement and therefore without Impact Area</p>	<p>Totally hard surfaces.</p> <p>Note. Lappset does <u>not recommend</u> totally hard surfaces at all.</p>	<p>E.g. concrete or asphalt</p> 										
<p>$h < 600$</p> <p>With movement e.g. rocking</p>	<p>Materials with very limited impact attenuating properties.</p>	<p>E.g. wood</p> 										
<p>$h < 1000$</p>	<p>Materials with significant impact attenuating properties.</p>	<p>fine gravel 0–8 mm</p>  <p>grass</p>  <p>unsorted sand</p> 										
<p>$h < 3000$</p>	<p>Loose fill material</p> <p>E.g. sand/gravel 0,25...8 mm D60/D10<3,0 Woodchips 5...30 mm bark 20...80 mm</p>	 <table data-bbox="1021 1680 1324 1792"> <tr> <td>\underline{S}</td> <td>\underline{h}</td> </tr> <tr> <td>30 cm</td> <td>< 2,0 m</td> </tr> <tr> <td>40 cm</td> <td>< 3,0 m</td> </tr> </table>	\underline{S}	\underline{h}	30 cm	< 2,0 m	40 cm	< 3,0 m				
\underline{S}	\underline{h}											
30 cm	< 2,0 m											
40 cm	< 3,0 m											
	<p>Syntethic granulates</p> <table data-bbox="399 1881 766 2060"> <tr> <td>\underline{S}</td> <td>\underline{h}</td> </tr> <tr> <td>40 mm</td> <td>~> 1,2...1,3 m</td> </tr> <tr> <td>50 mm</td> <td>~> 1,5...1,7 m</td> </tr> <tr> <td>60 mm</td> <td>~> 1,8...2,0 m</td> </tr> <tr> <td>70 mm</td> <td>~> 2,1...2,5 m</td> </tr> </table> <p>Note. For accurate values, see manufacturer's instructions.</p>	\underline{S}	\underline{h}	40 mm	~> 1,2...1,3 m	50 mm	~> 1,5...1,7 m	60 mm	~> 1,8...2,0 m	70 mm	~> 2,1...2,5 m	
\underline{S}	\underline{h}											
40 mm	~> 1,2...1,3 m											
50 mm	~> 1,5...1,7 m											
60 mm	~> 1,8...2,0 m											
70 mm	~> 2,1...2,5 m											

REMOVE SAFETY SURFACE/SAND/GRAVEL
TO CHECK FOUNDATION



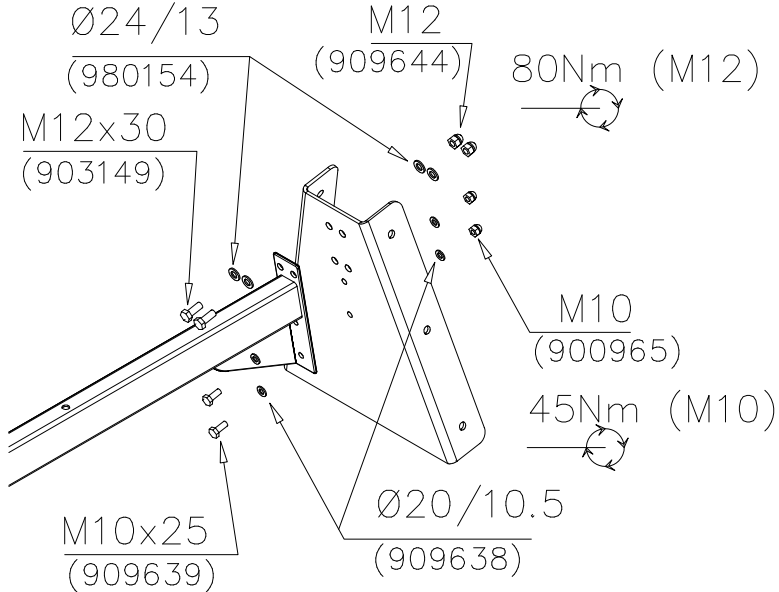
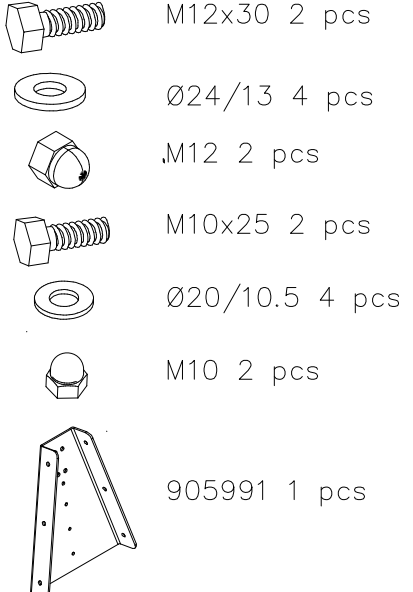
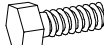





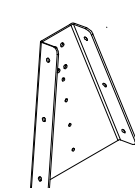
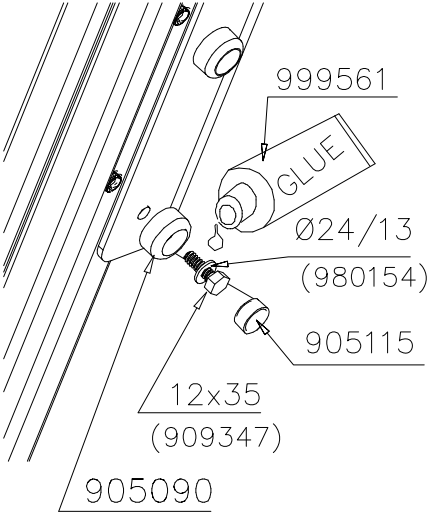
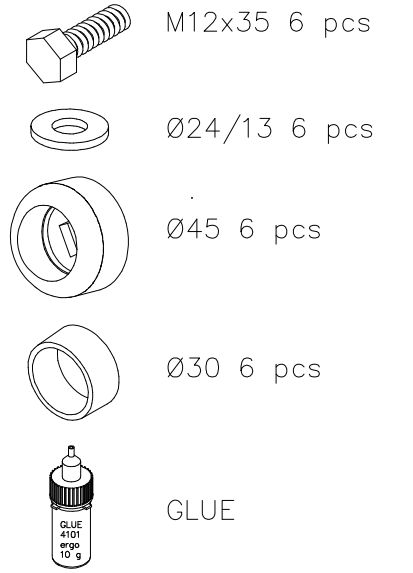
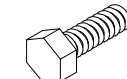

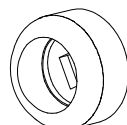


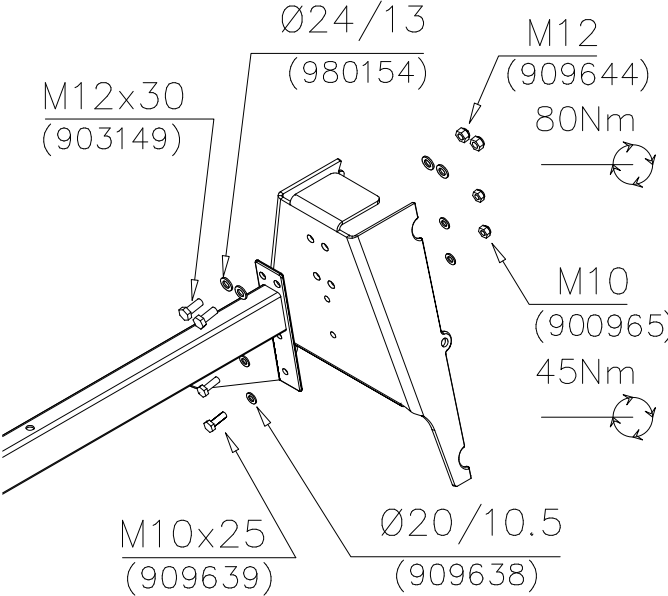
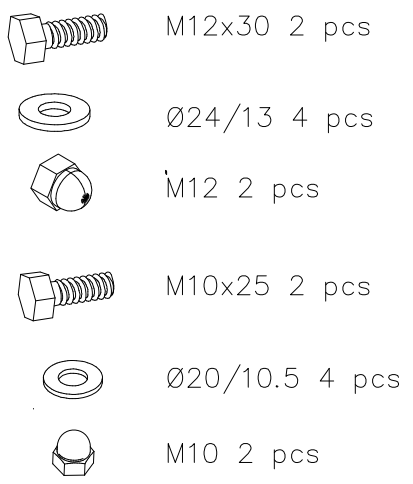
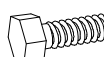





REMOVE SAFETY SURFACE/SAND/GRAVEL
TO CHECK FOUNDATION



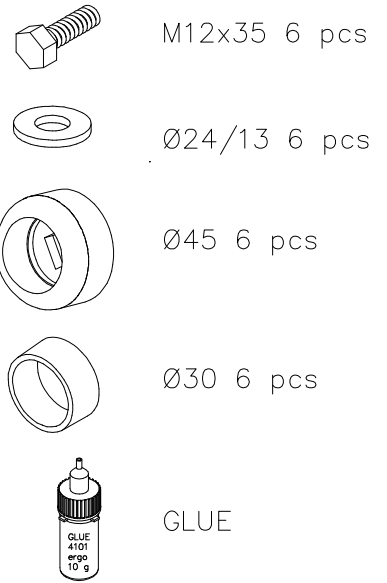
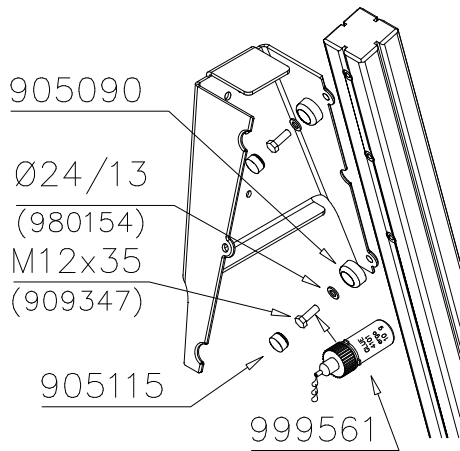
FINNO

REF:
DATE:

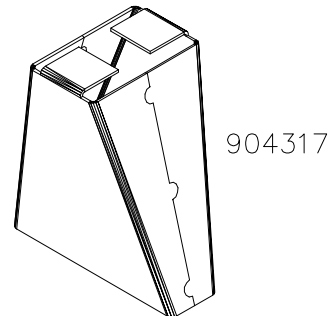
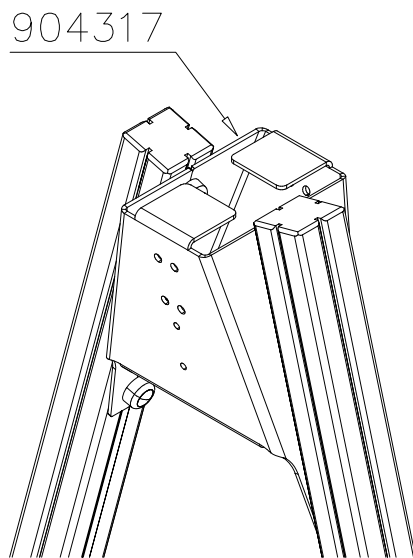
SWING
31.3.2017

<p>DET A</p> 	 <ul style="list-style-type: none">  M12x30 2 pcs  Ø24/13 4 pcs  M12 2 pcs  M10x25 2 pcs  Ø20/10.5 4 pcs  M10 2 pcs  905991 1 pcs
<p>DET A</p> 	 <ul style="list-style-type: none">  M12x35 6 pcs  Ø24/13 6 pcs  Ø45 6 pcs  Ø30 6 pcs  GLUE
<p>DET B</p> 	 <ul style="list-style-type: none">  M12x30 2 pcs  Ø24/13 4 pcs  M12 2 pcs  M10x25 2 pcs  Ø20/10.5 4 pcs  M10 2 pcs

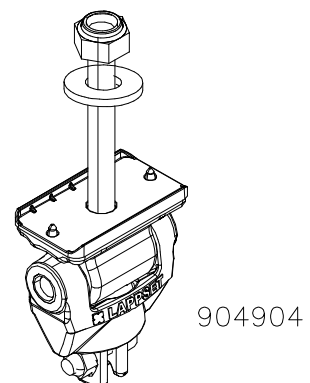
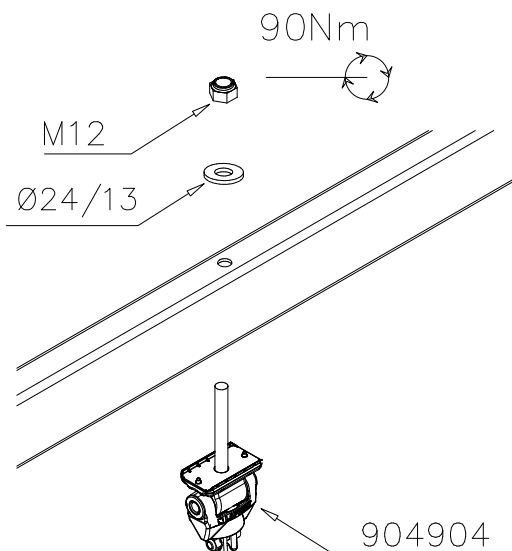
DET B



DET B

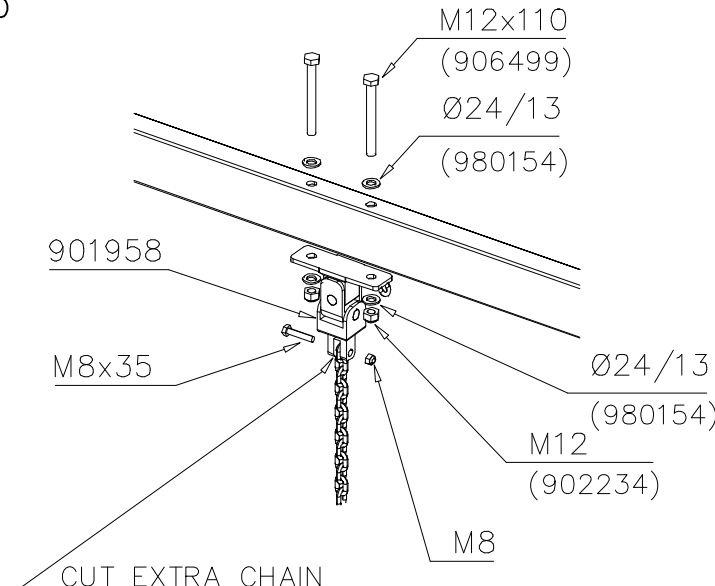

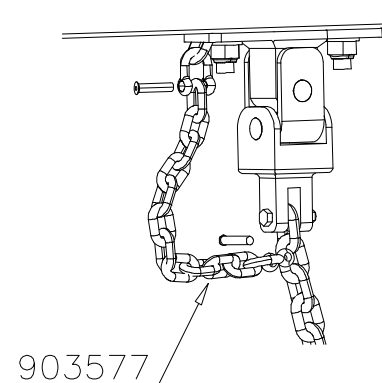
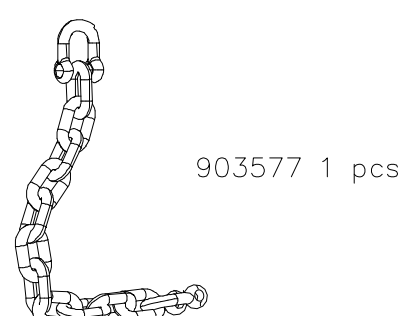
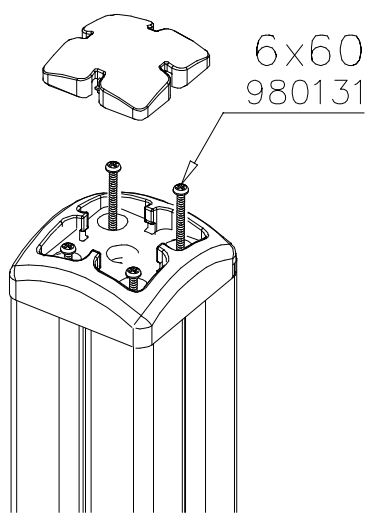
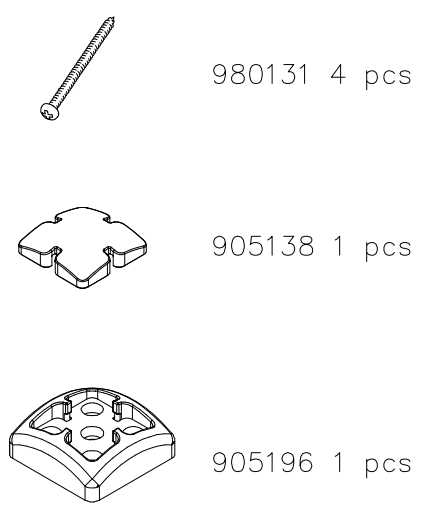


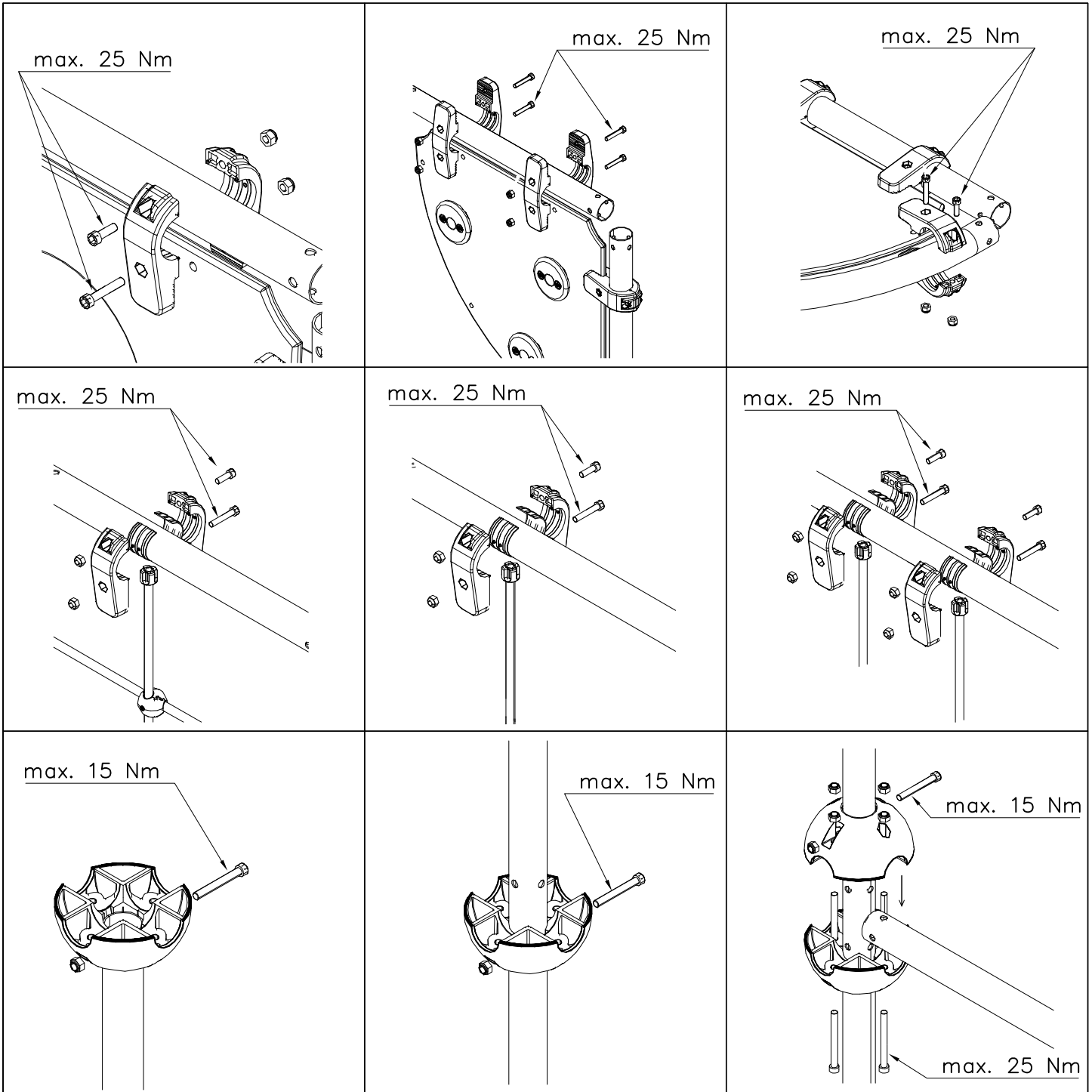
DET C



FINNO

REF: SWING
DATE: 31.3.2017

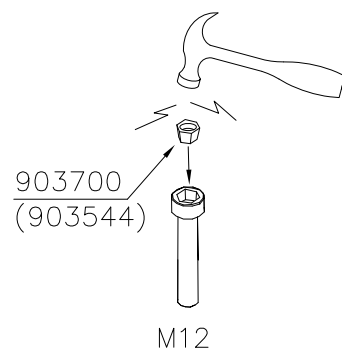
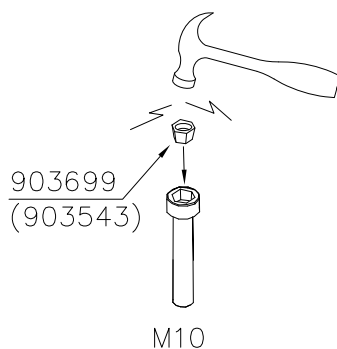
<p>DET D</p>  <p>M12x110 (906499) Ø24/13 (980154) 901958 M8x35 Ø24/13 (980154) M12 (902234) M8 CUT EXTRA CHAIN</p>	 <p>M12x110 2 pcs Ø24/13 4 pcs M12 2 pcs 901958 1 pcs</p>
<p>DET D</p>  <p>903577</p>	 <p>903577 1 pcs</p>
<p>DET E</p>  <p>6x60 980131 905196</p>	 <p>980131 4 pcs 905138 1 pcs 905196 1 pcs</p>

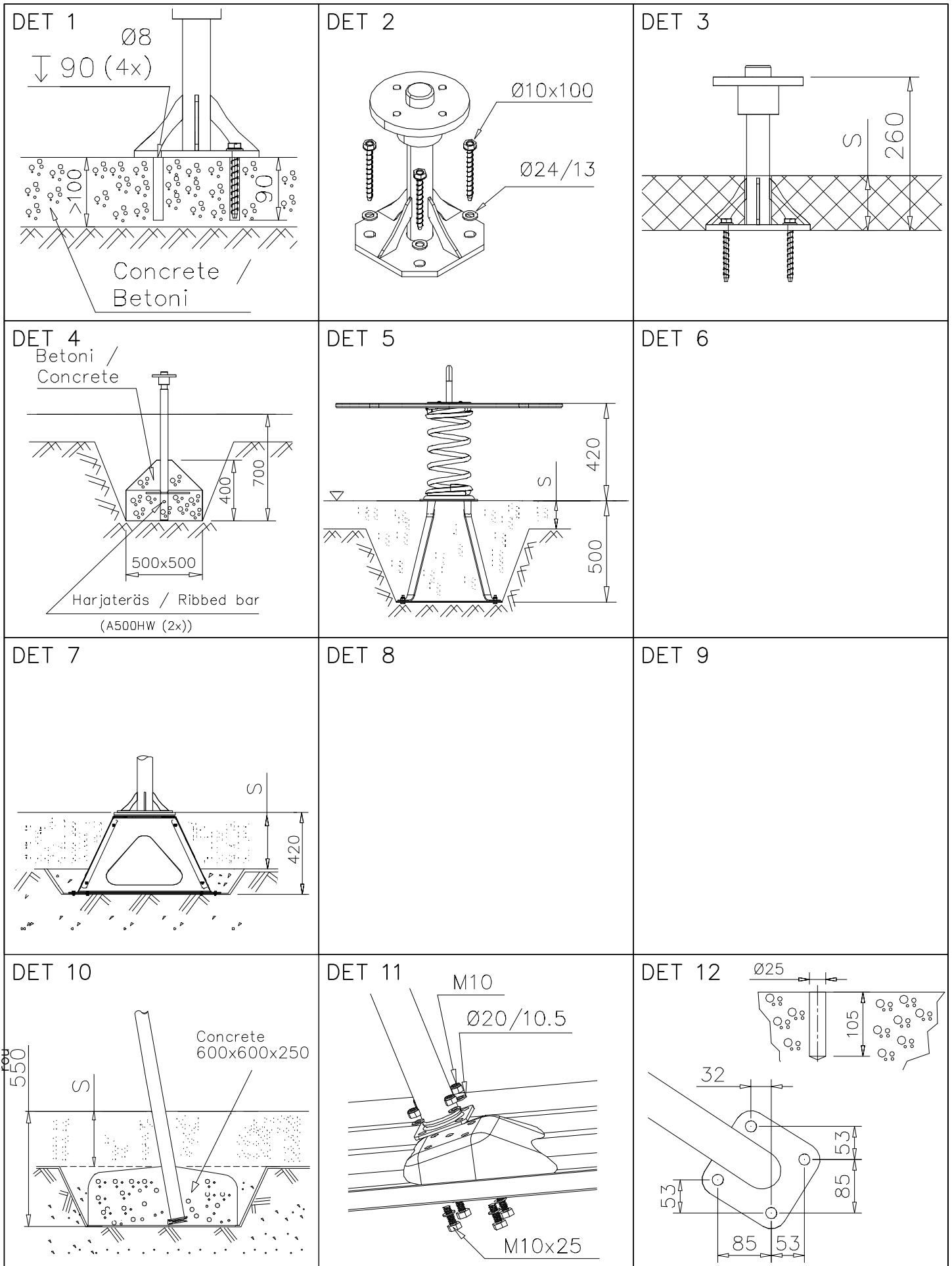


Security plugs are included only for selected products.

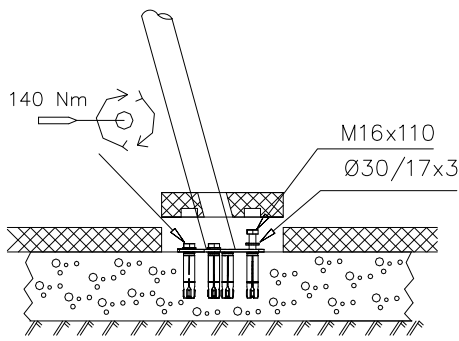
Hoi!
Pultit on kiristettävä lopulliseen kireyteen, ennen turvapinnien asennusta.

Note!
Tighten bolts properly, before installing security plugs.





DET 13



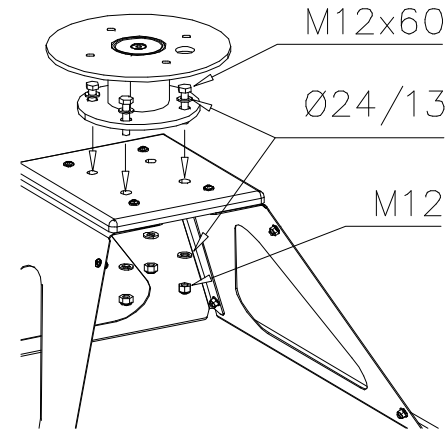
DET 14



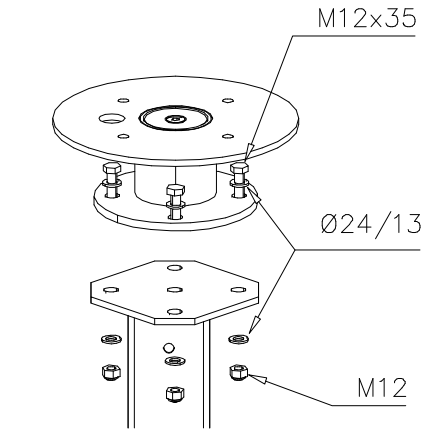
DET 15



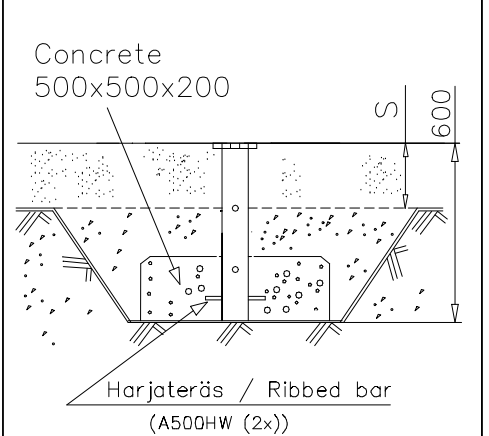
DET 16



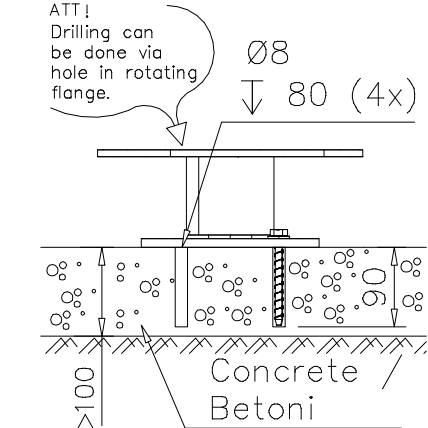
DET 17



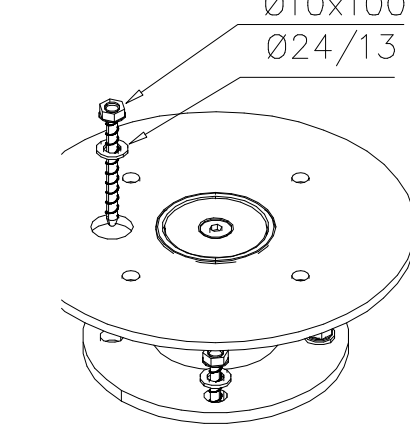
DET 18



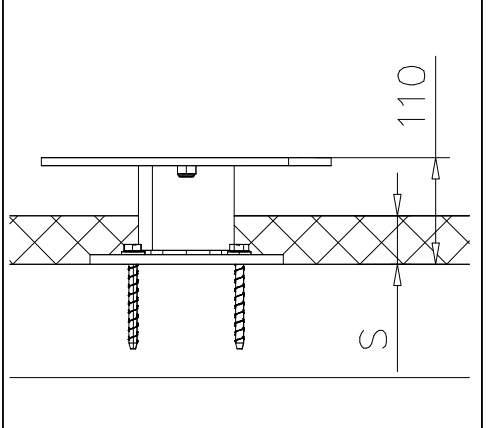
DET 19



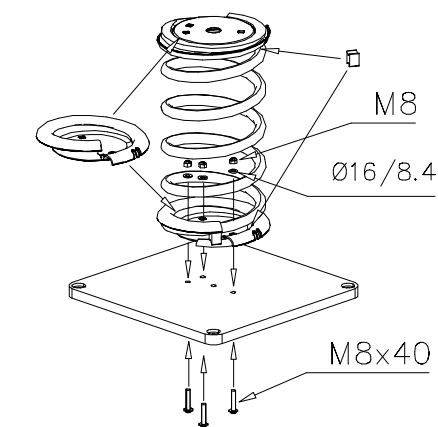
DET 20



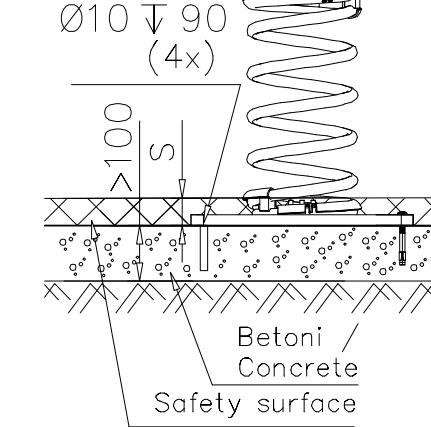
DET 21



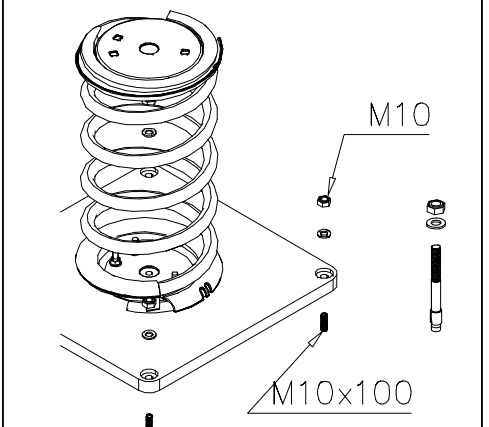
DET 22

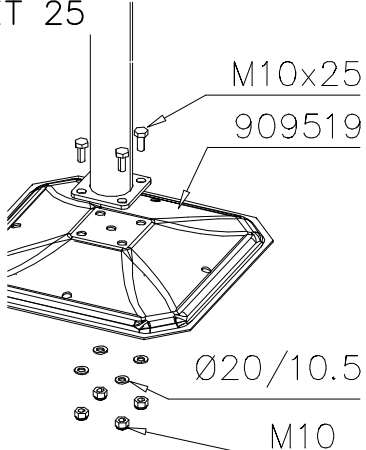
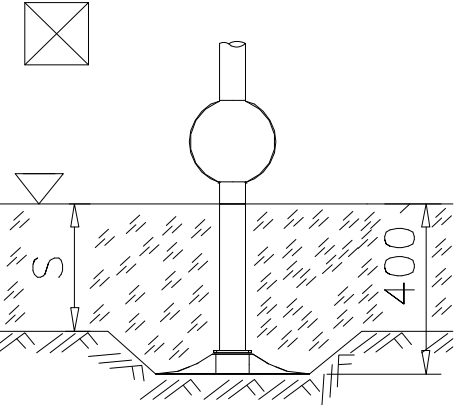
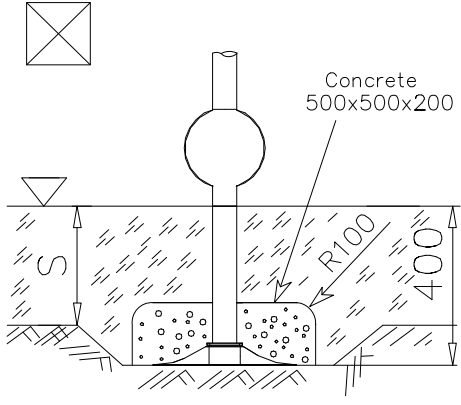
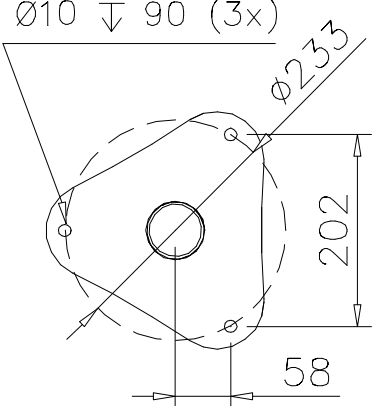
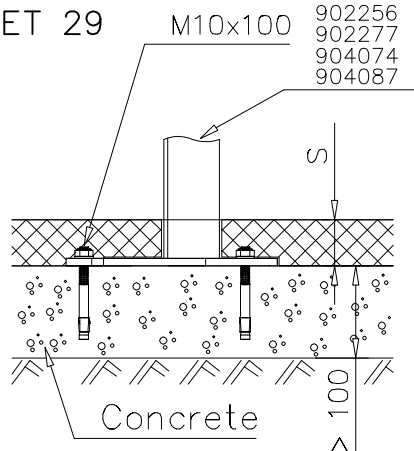
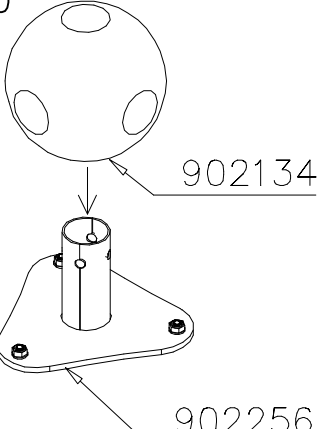
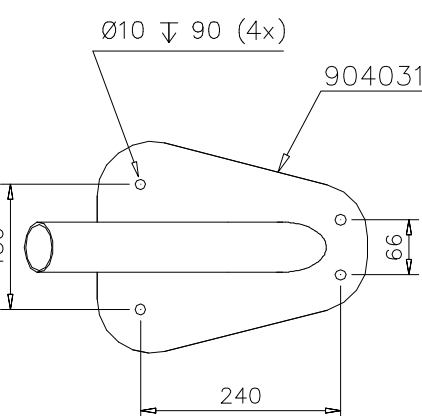
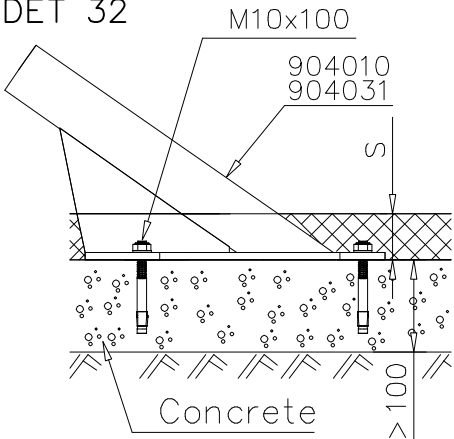
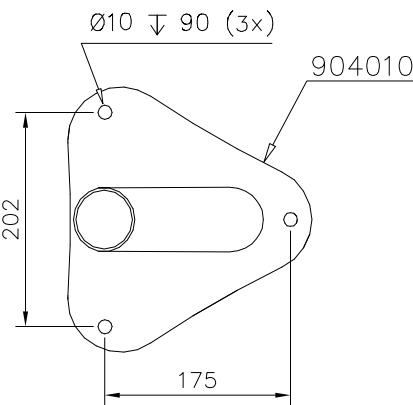
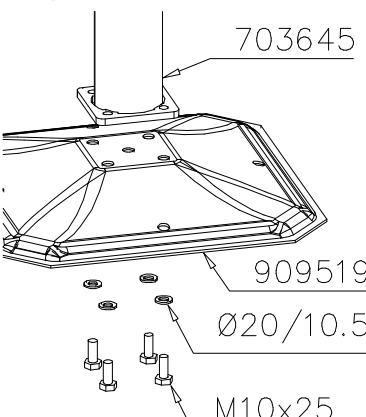
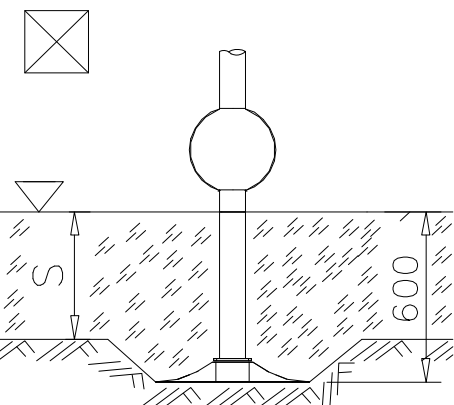



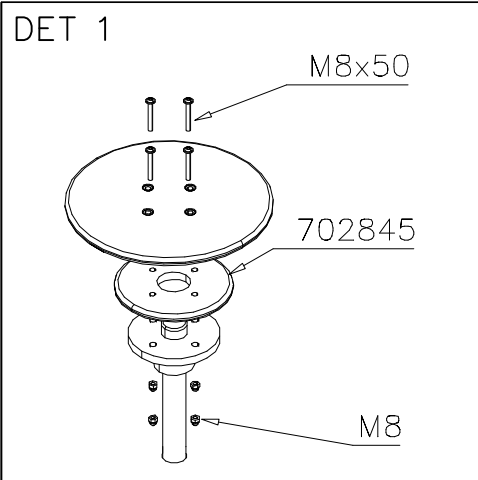
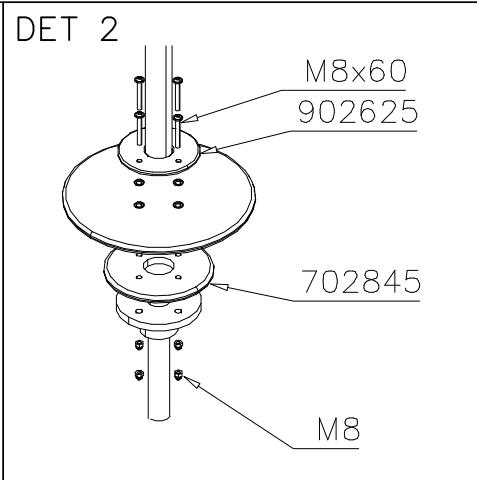
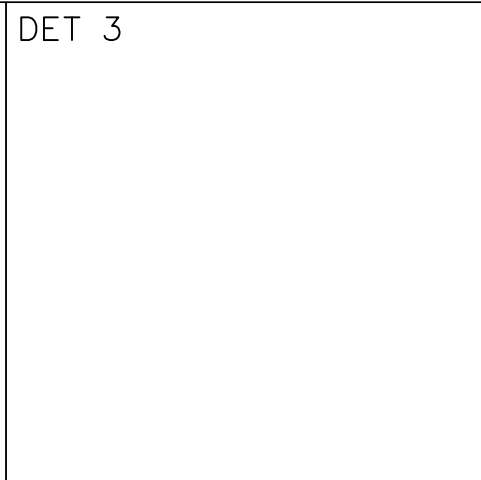
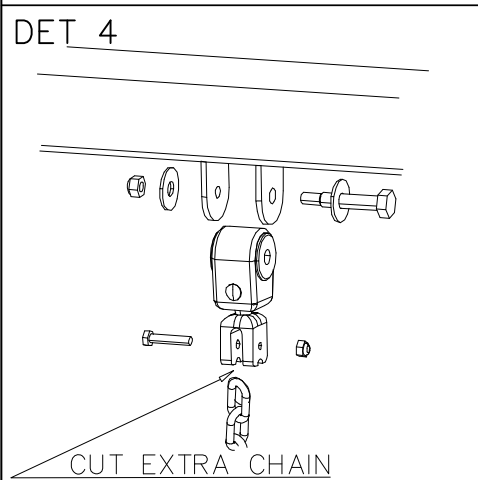
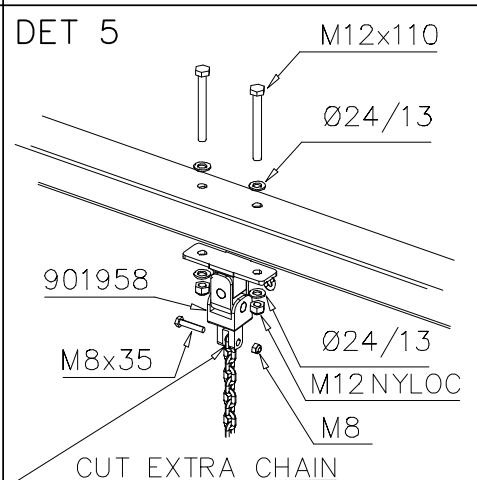
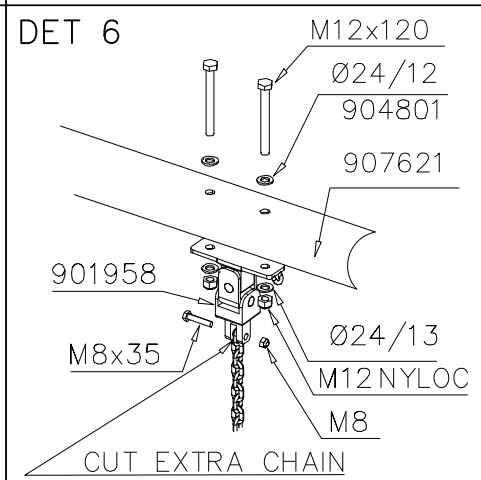
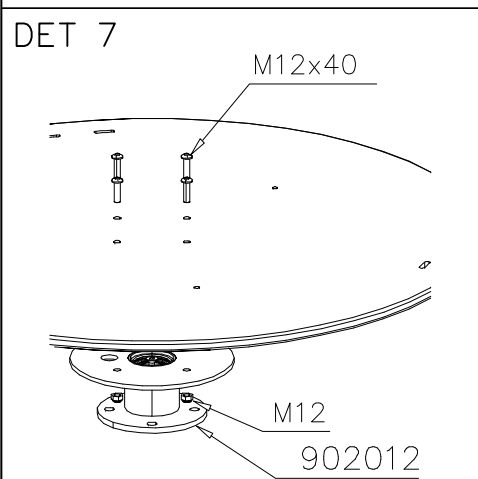
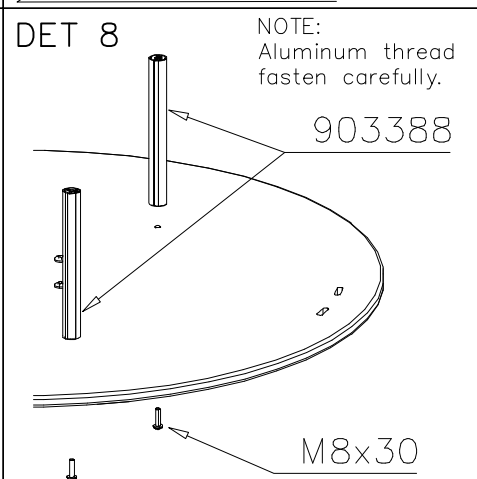
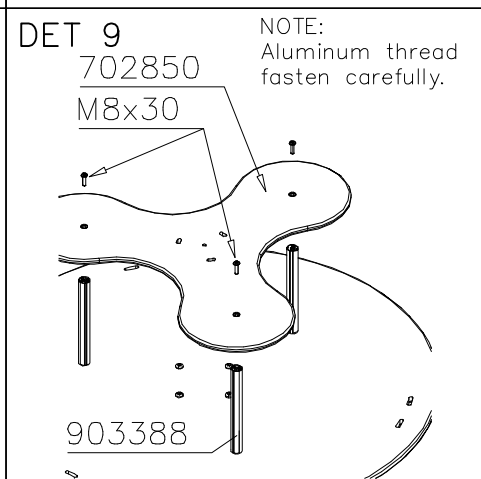
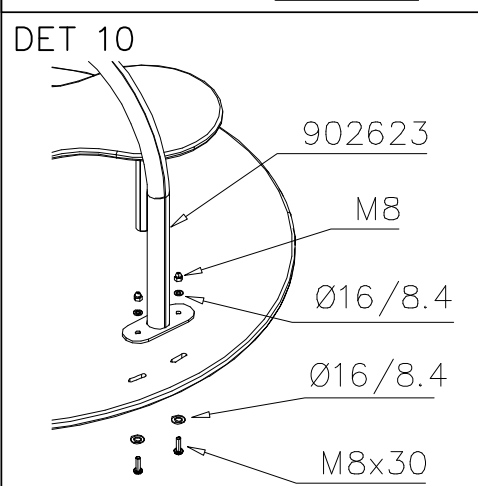
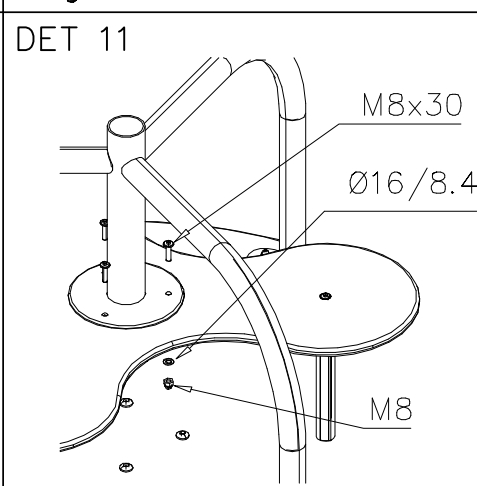
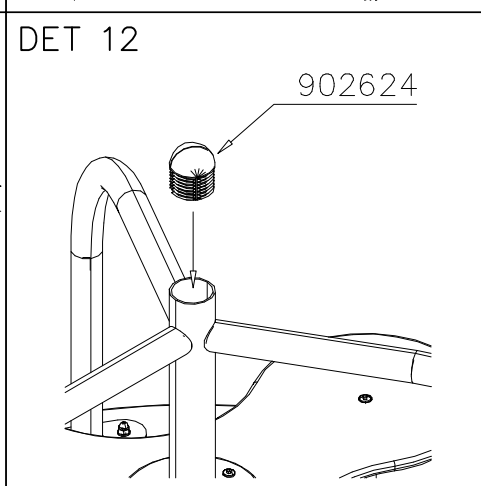
DET 23



DET 24

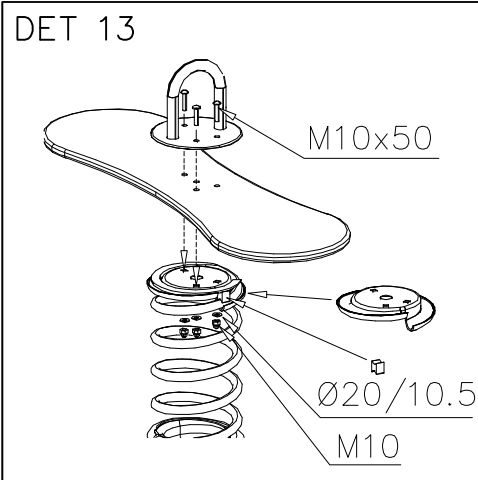
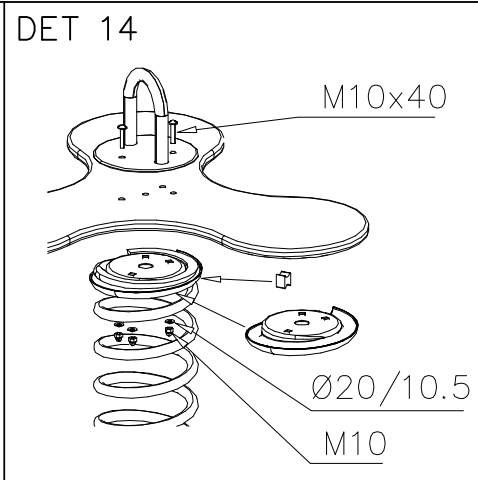
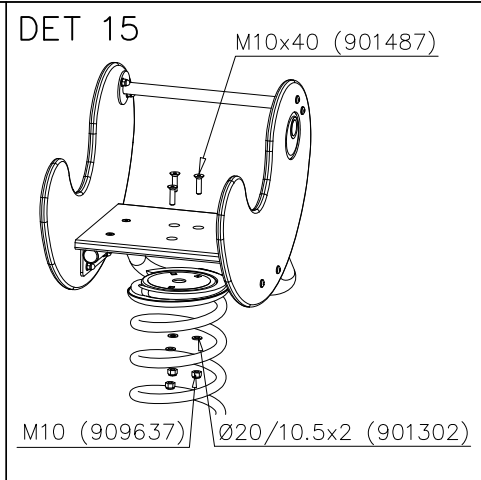
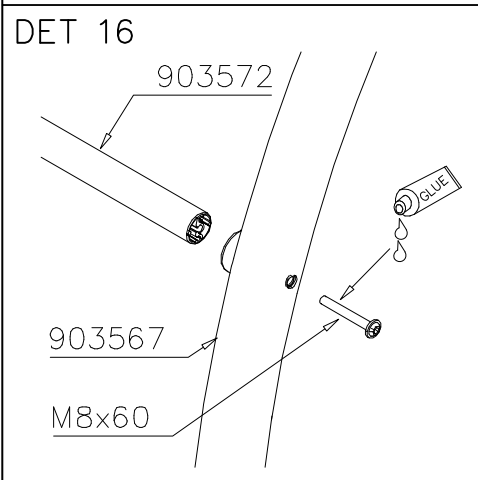
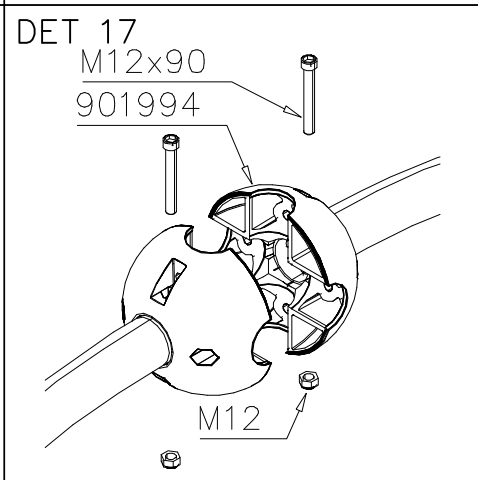
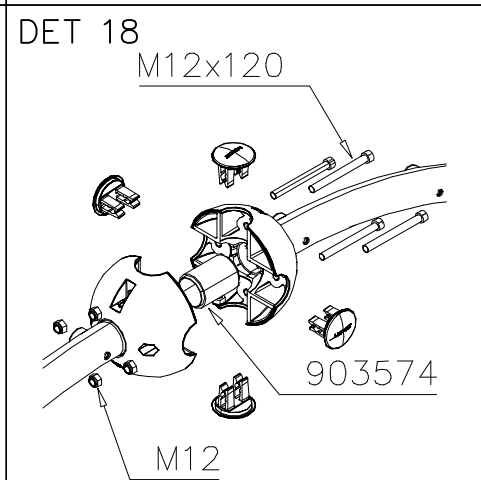
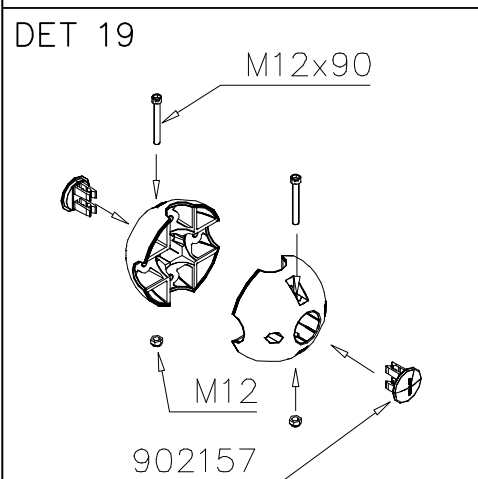
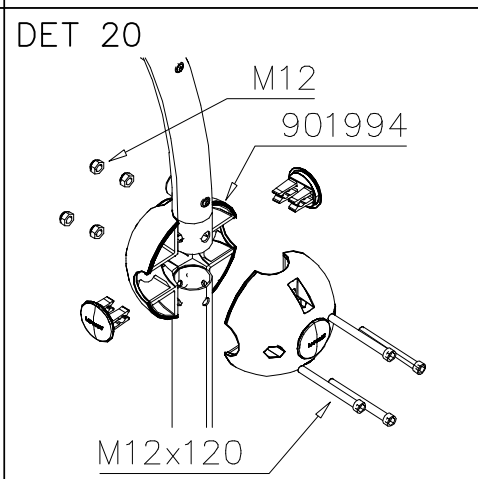
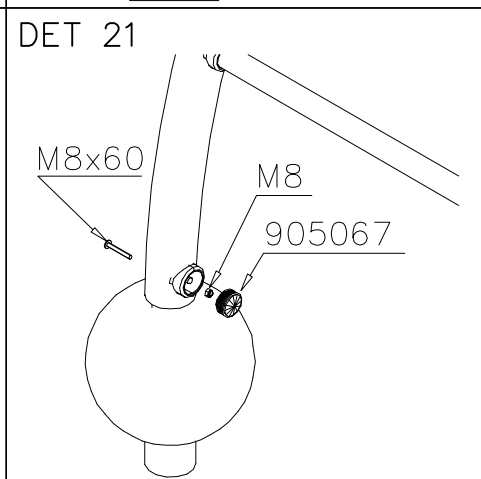
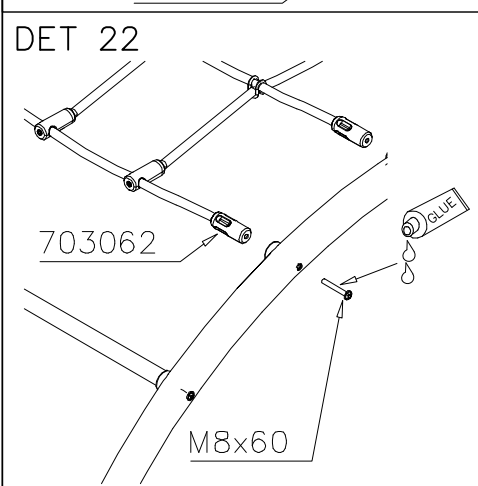
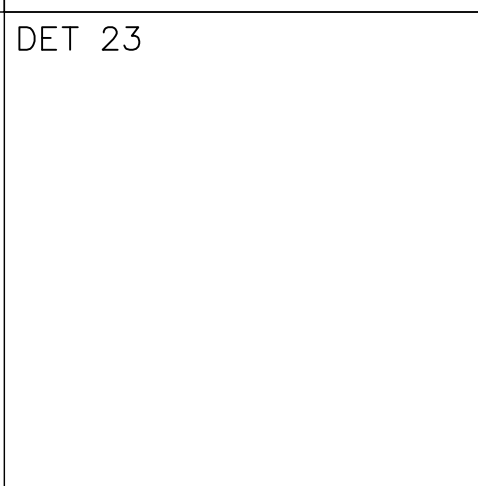
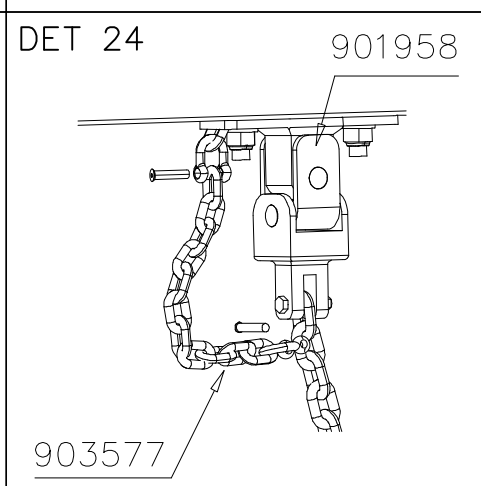


<p>DET 25</p> 	<p>DET 26</p> 	<p>DET 27</p> 
<p>DET 28</p> 	<p>DET 29</p> 	<p>DET 30</p> 
<p>DET 31</p> 	<p>DET 32</p> 	<p>DET 33</p> 
<p>DET 34</p> 	<p>DET 35</p> 	<p>DET 36</p> 

<p>DET 1</p>  <p>M8x50</p> <p>702845</p> <p>M8</p>	<p>DET 2</p>  <p>M8x60</p> <p>902625</p> <p>702845</p> <p>M8</p>	<p>DET 3</p> 
<p>DET 4</p>  <p>CUT EXTRA CHAIN</p>	<p>DET 5</p>  <p>M12x110</p> <p>Ø24/13</p> <p>901958</p> <p>M8x35</p> <p>Ø24/13</p> <p>M12 NYLOC</p> <p>M8</p> <p>CUT EXTRA CHAIN</p>	<p>DET 6</p>  <p>M12x120</p> <p>Ø24/12</p> <p>904801</p> <p>907621</p> <p>901958</p> <p>M8x35</p> <p>Ø24/13</p> <p>M12 NYLOC</p> <p>M8</p> <p>CUT EXTRA CHAIN</p>
<p>DET 7</p>  <p>M12x40</p> <p>M12</p> <p>902012</p>	<p>DET 8</p>  <p>NOTE: Aluminum thread fasten carefully.</p> <p>903388</p> <p>M8x30</p>	<p>DET 9</p>  <p>NOTE: Aluminum thread fasten carefully.</p> <p>702850</p> <p>M8x30</p> <p>903388</p>
<p>DET 10</p>  <p>902623</p> <p>M8</p> <p>Ø16/8.4</p> <p>Ø16/8.4</p> <p>M8x30</p>	<p>DET 11</p>  <p>M8x30</p> <p>Ø16/8.4</p> <p>M8</p>	<p>DET 12</p>  <p>902624</p>

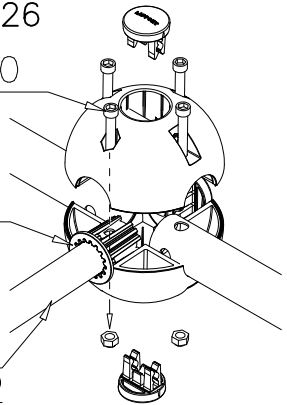
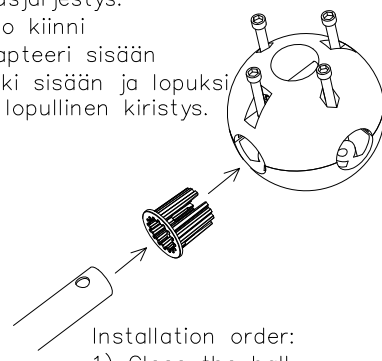
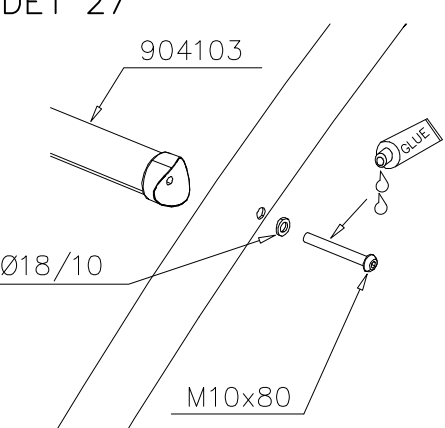
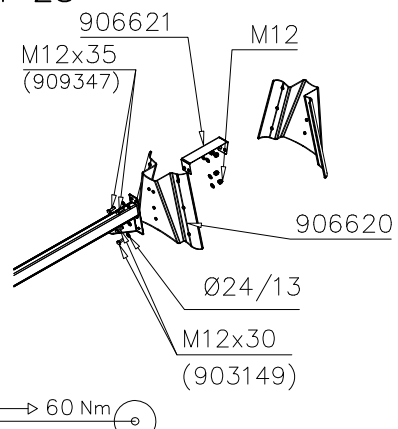
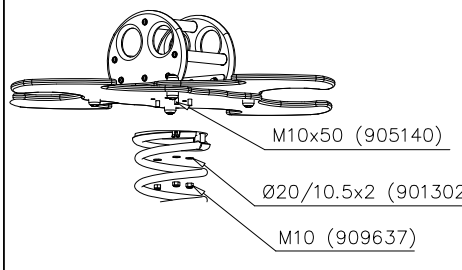
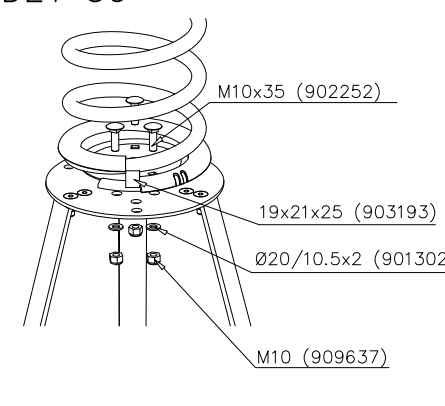
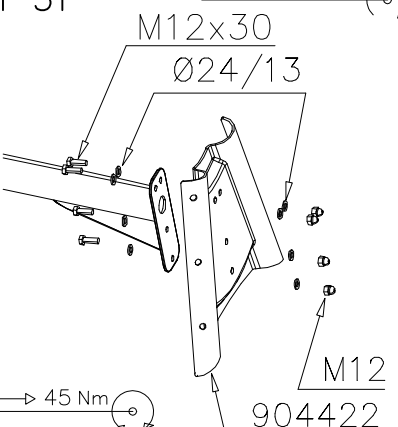
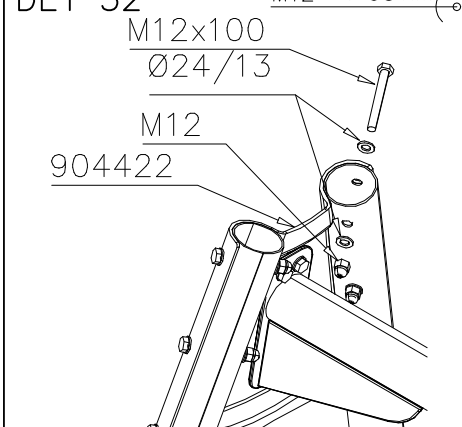
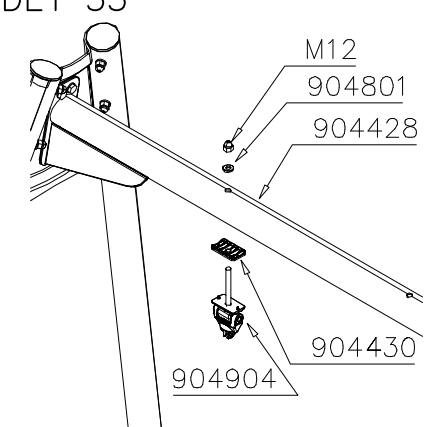
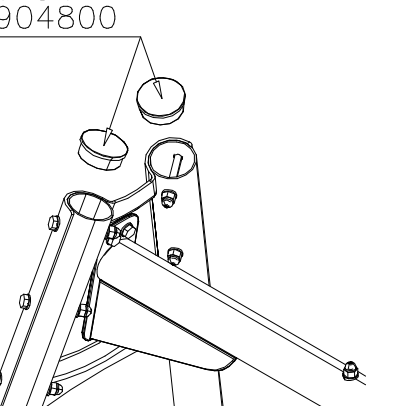
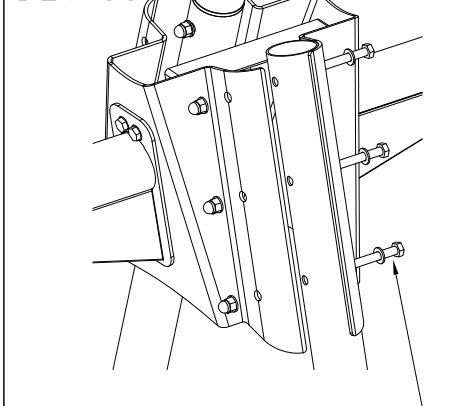
CLOXX / FINNO ABC

DATE: 12.9.2017

<p>DET 13</p>  <p>M10x50 Ø20/10.5 M10</p>	<p>DET 14</p>  <p>M10x40 Ø20/10.5 M10</p>	<p>DET 15</p>  <p>M10x40 (901487) M10 (909637) Ø20/10.5x2 (901302)</p>
<p>DET 16</p>  <p>903572 903567 M8x60 GLUE</p>	<p>DET 17</p>  <p>M12x90 901994 M12</p>	<p>DET 18</p>  <p>M12x120 903574 M12</p>
<p>DET 19</p>  <p>M12x90 902157 M12</p>	<p>DET 20</p>  <p>M12 901994 M12x120</p>	<p>DET 21</p>  <p>M8x60 M8 905067</p>
<p>DET 22</p>  <p>703062 M8x60 GLUE</p>	<p>DET 23</p>  <p>M8x60 GLUE</p>	<p>DET 24</p>  <p>901958 903577</p>

CLOXX / FINNO ABC

DATE: 12.9.2017

<p>DET 25-26</p> <p>M12x120</p> <p>904100</p> <p>904015</p> <p>904102</p> <p>Kun putken pää osuu adapterin kynsiin, adapteri tiukentuu paikoilleen.</p> 	<p>Asennusjärjestys:</p> <ol style="list-style-type: none"> 1) Pallo kiinni 2) Adapteri sisään 3) putki sisään ja lopuksi pallon lopullinen kiristys. <p>Installation order:</p> <ol style="list-style-type: none"> 1) Close the ball 2) Insert adapter 3) Insert tube and tighten screws. 	<p>DET 27</p> <p>904103</p> <p>Ø18/10</p> <p>M10x80</p> 
<p>DET 28</p> <p>906621</p> <p>M12x35 (909347)</p> <p>M12</p> <p>906620</p> <p>Ø24/13</p> <p>M12x30 (903149)</p> <p>M12 → 60 Nm</p> 	<p>DET 29</p> <p>M10x50 (905140)</p> <p>Ø20/10.5x2 (901302)</p> <p>M10 (909637)</p> 	<p>DET 30</p> <p>M10x35 (902252)</p> <p>19x21x25 (903193)</p> <p>Ø20/10.5x2 (901302)</p> <p>M10 (909637)</p> 
<p>DET 31</p> <p>M12 → 60 Nm</p> <p>M12x30</p> <p>Ø24/13</p> <p>M10 → 45 Nm</p> <p>M12</p> <p>904422</p> 	<p>DET 32</p> <p>M12 → 60 Nm</p> <p>M12x100</p> <p>Ø24/13</p> <p>M12</p> <p>904422</p> 	<p>DET 33</p> <p>M12</p> <p>904801</p> <p>904428</p> <p>904904</p> <p>904430</p> 
<p>DET 34</p> <p>904800</p> 	<p>DET 35</p> <p>M12x110</p> 	<p>DET 36</p> 