

WINAM GROUP

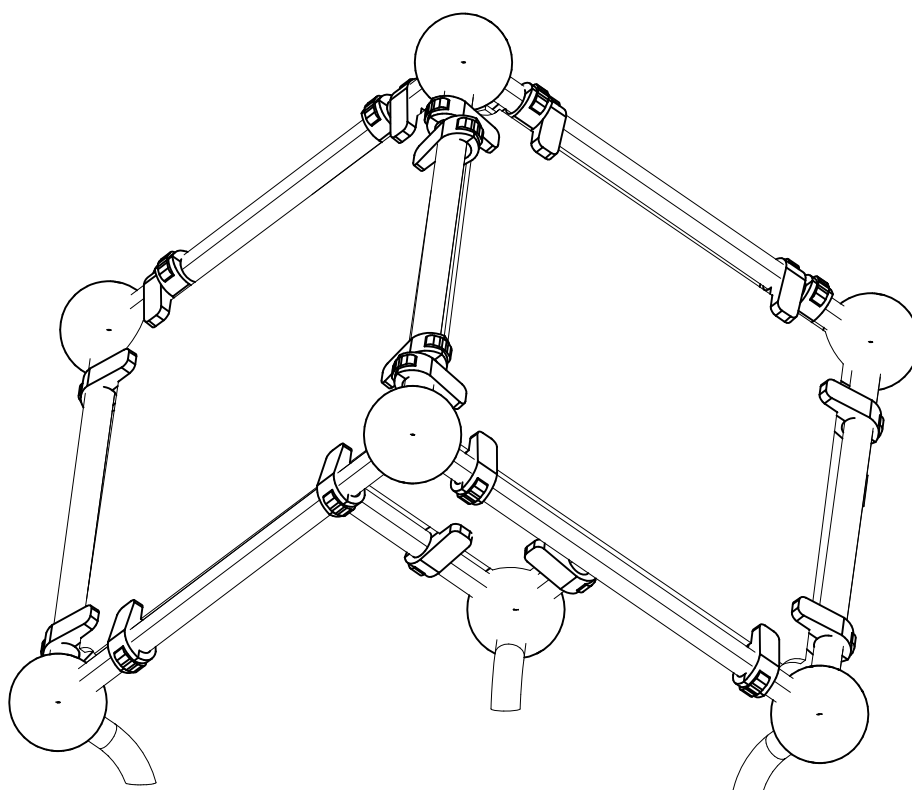


PARKOUR

A SENNUSOHJE
MONTERINGSANSVISNING
INSTALLATION INSTRUCTION
AUFBAUANLEITUNG
NOTICE D'INSTALLATION


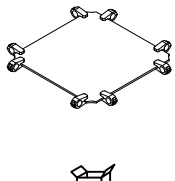
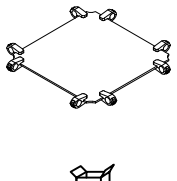
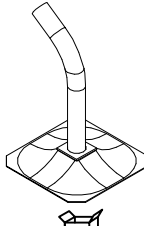
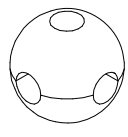
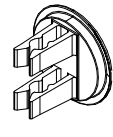
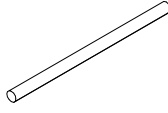
DATE: 20.4.2017

220530

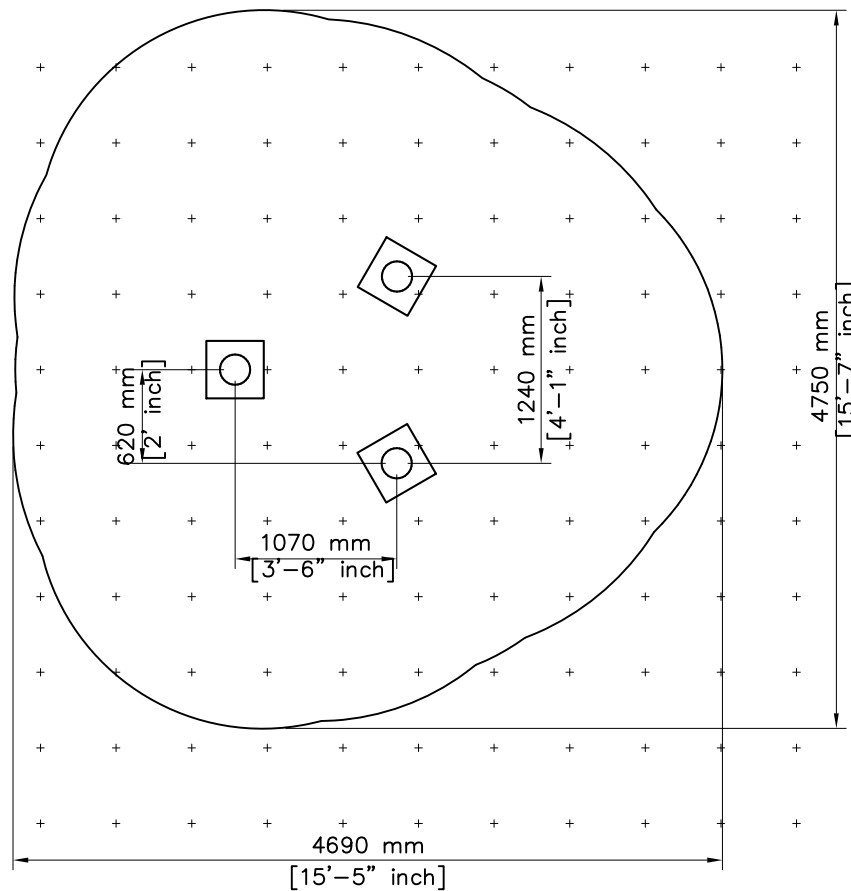
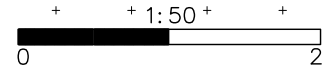


PARKOUR

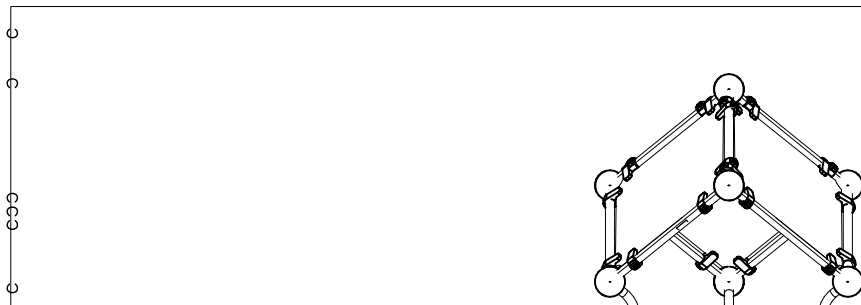
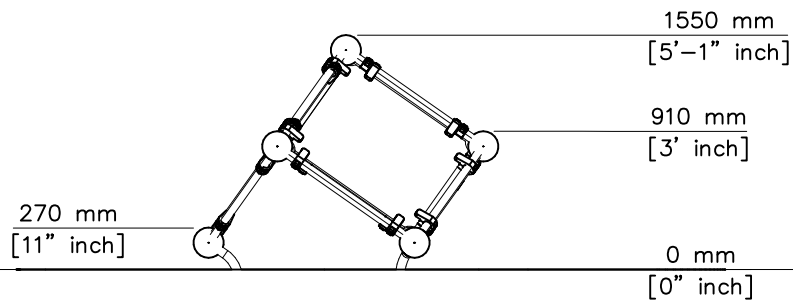
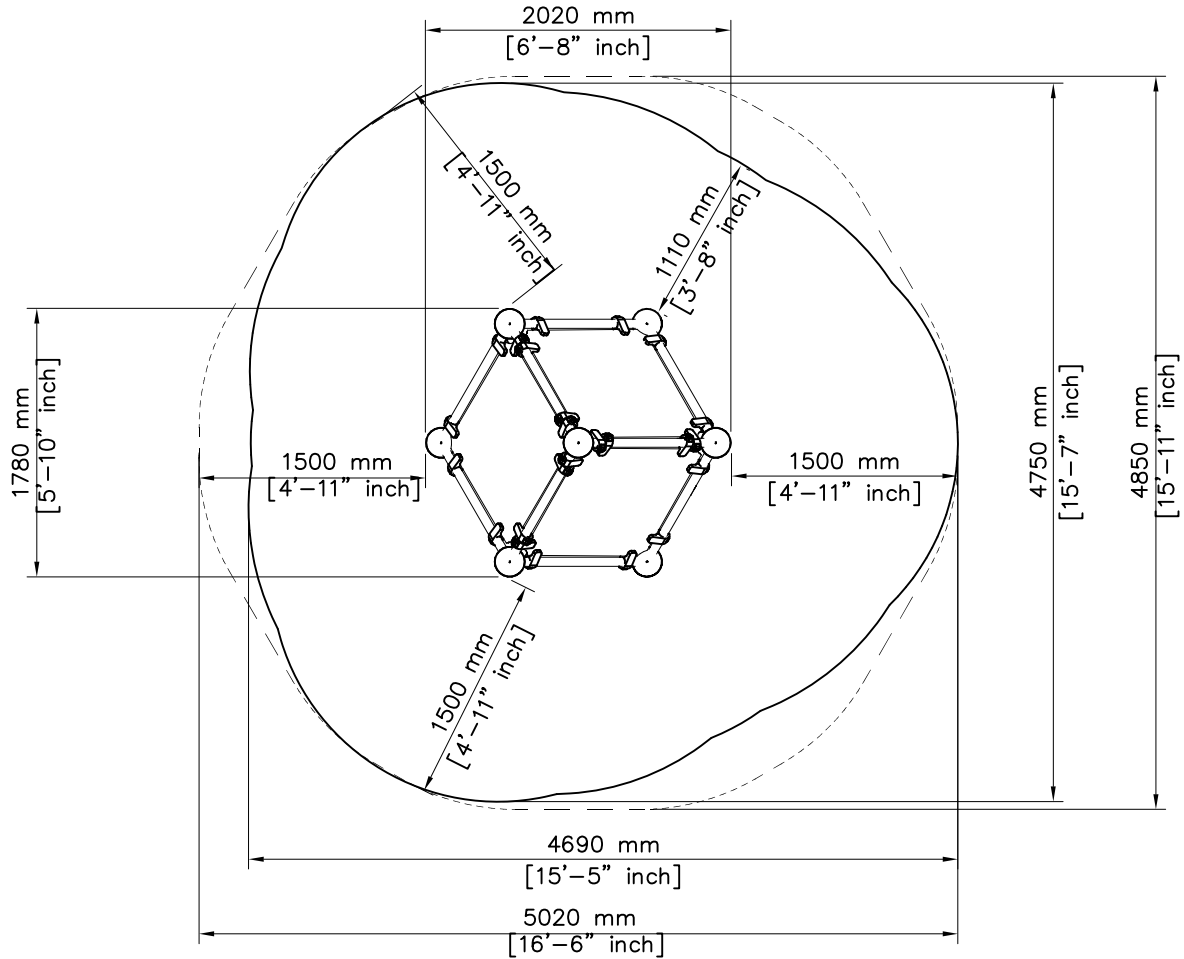
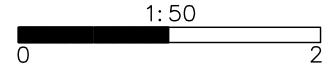
DATE: 20.4.2017

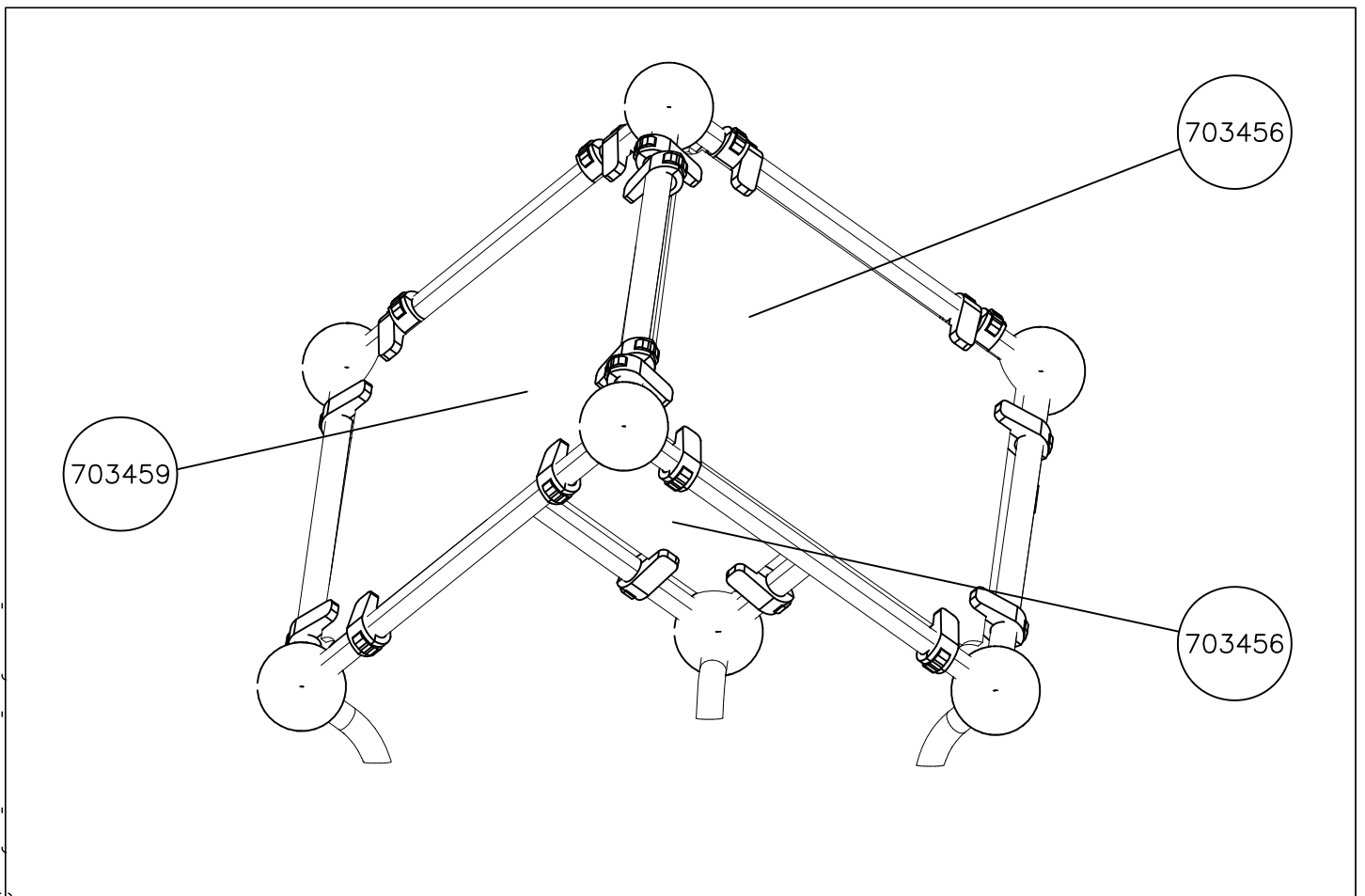
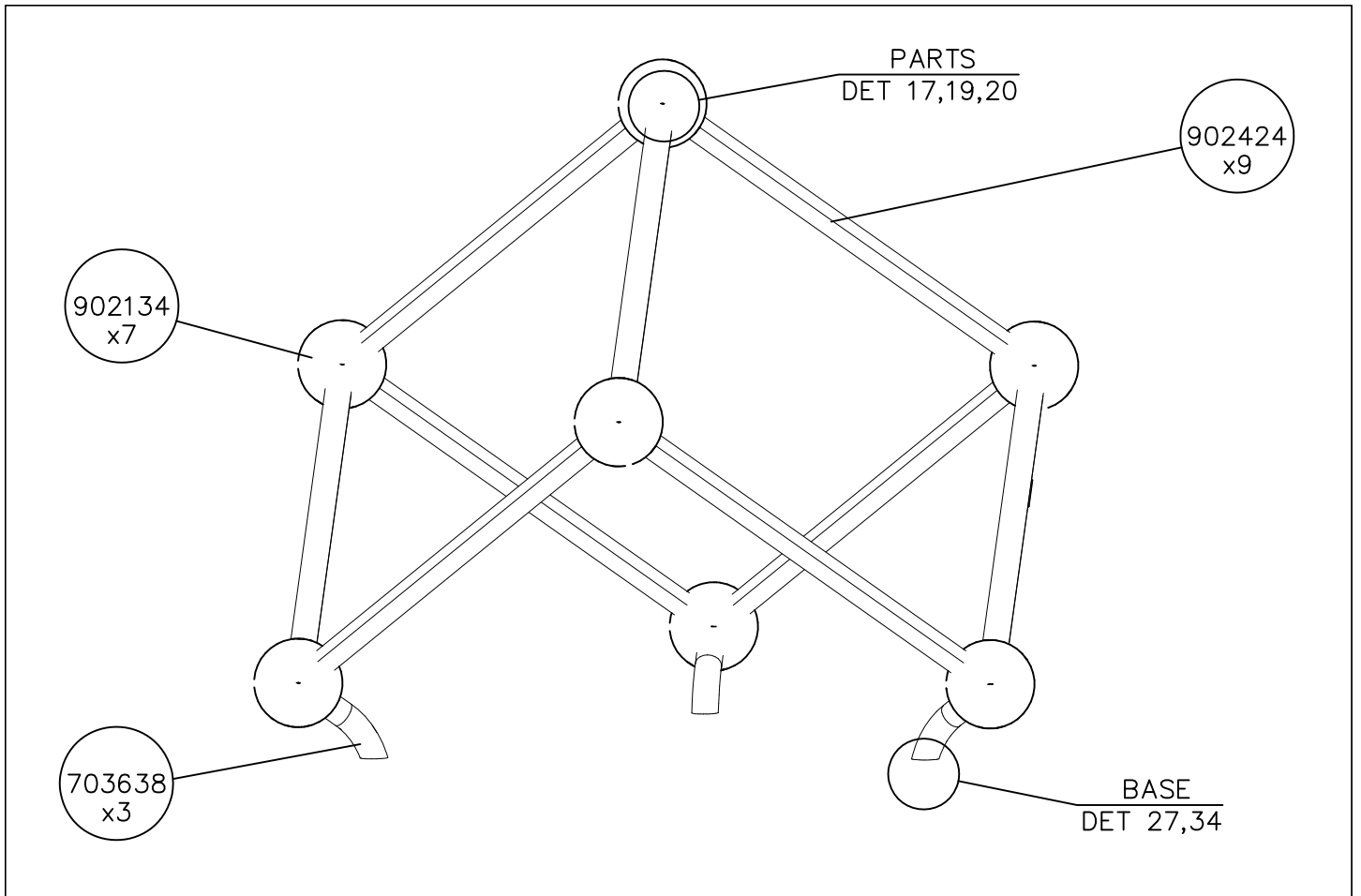
<p>702341</p>  <p>90x50</p>	<p>PCS</p> <p>1</p>	<p>703456</p> 	<p>PCS</p> <p>2</p>	<p>703459</p> 	<p>PCS</p> <p>1</p>	<p>703638</p> 	<p>PCS</p> <p>3</p>	<p>902134</p> 	<p>PCS</p> <p>7</p>	<p>904747</p>  <p>60x60x2</p>	<p>PCS</p> <p>21</p>
<p>902424</p>  <p>L 1034</p>	<p>PCS</p> <p>9</p>		<p>PCS</p>		<p>PCS</p>		<p>PCS</p>		<p>PCS</p>		<p>PCS</p>
	<p>PCS</p>		<p>PCS</p>		<p>PCS</p>		<p>PCS</p>		<p>PCS</p>		<p>PCS</p>
	<p>PCS</p>		<p>PCS</p>		<p>PCS</p>		<p>PCS</p>		<p>PCS</p>		<p>PCS</p>
	<p>PCS</p>		<p>PCS</p>		<p>PCS</p>		<p>PCS</p>		<p>PCS</p>		<p>PCS</p>
	<p>PCS</p>		<p>PCS</p>		<p>PCS</p>		<p>PCS</p>		<p>PCS</p>		<p>PCS</p>
	<p>PCS</p>		<p>PCS</p>		<p>PCS</p>		<p>PCS</p>		<p>PCS</p>		<p>PCS</p>

EN/AS Impact Area 17.2 m² (186 sq ft)
Grid size = 500 mm (20" in)

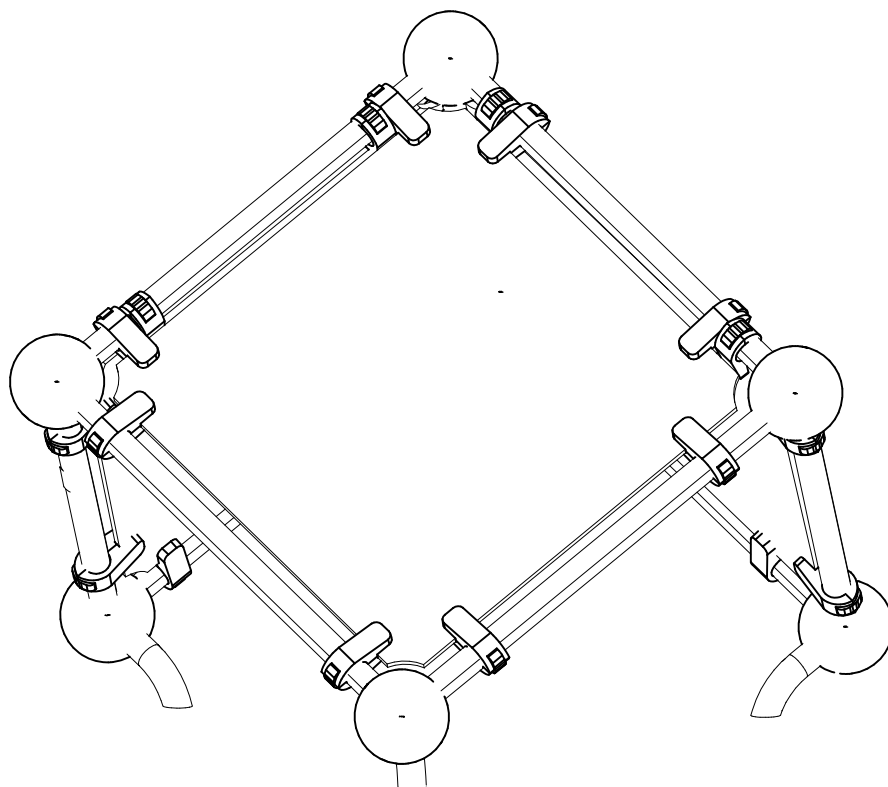
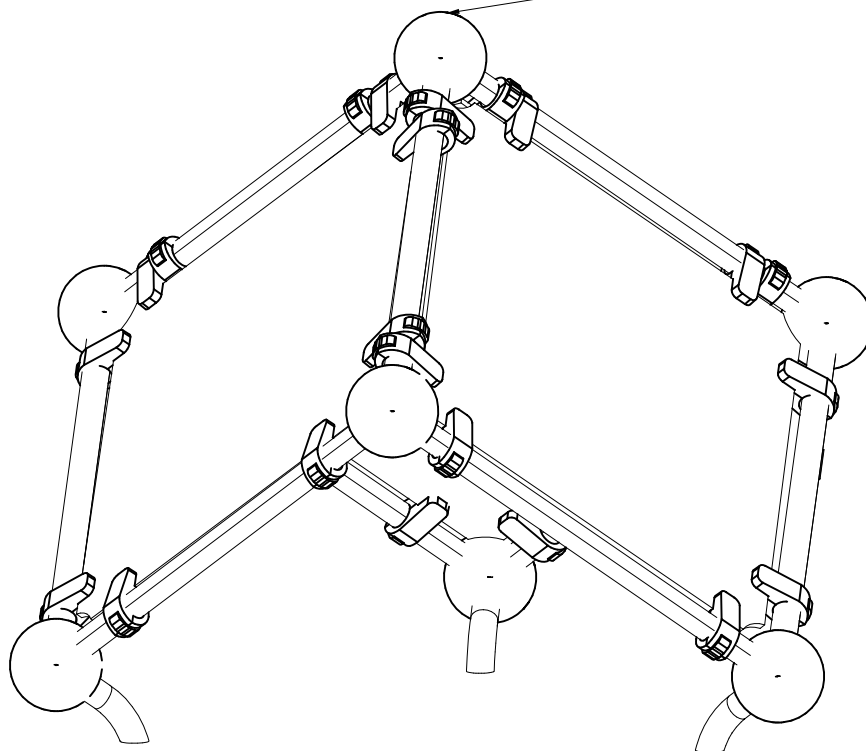


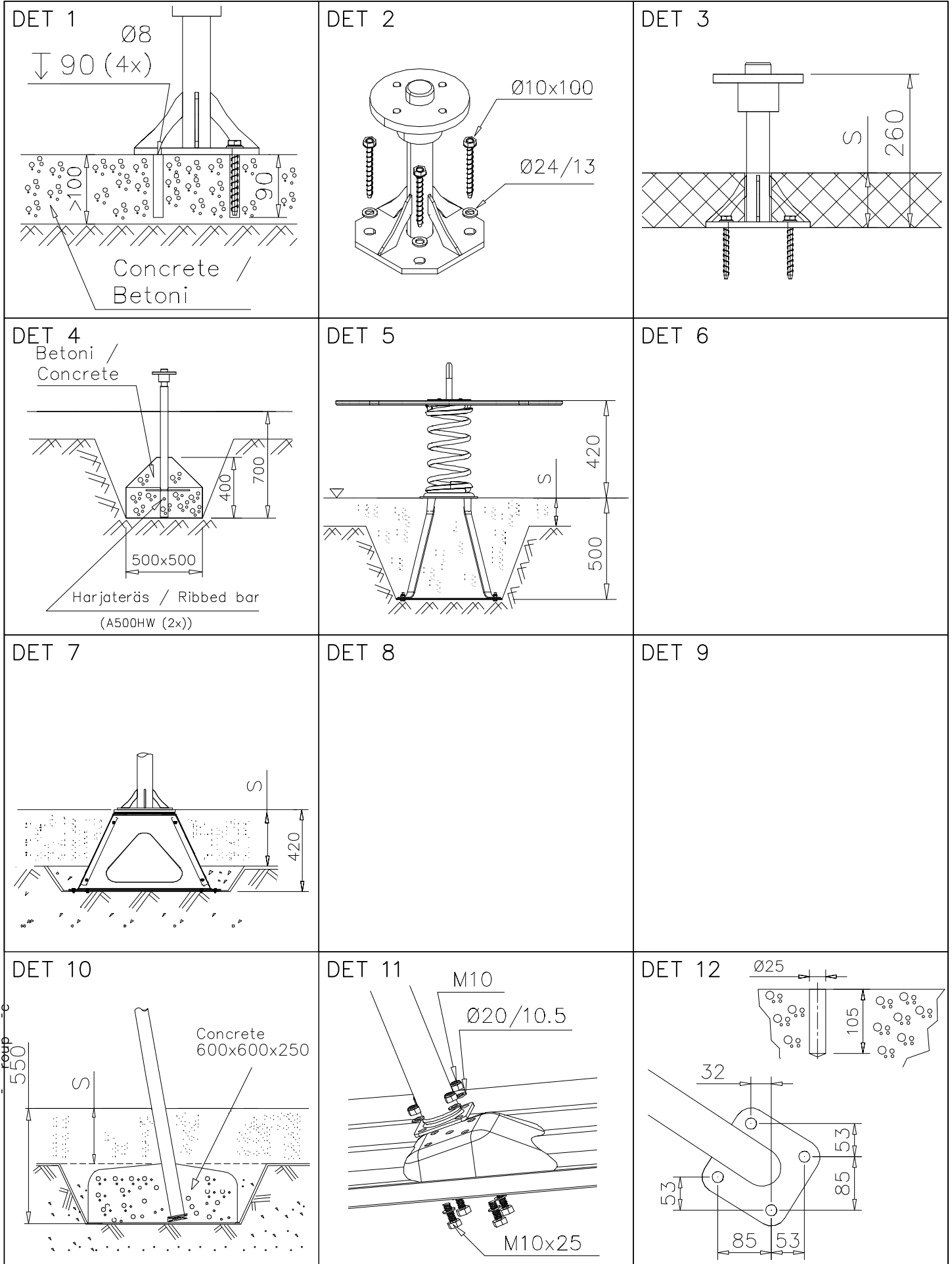
EN/AS Impact Area 17.2 m² (186 sq ft)
 Max falling height 1550 mm. (5'-1" in)
 Falling Space Area 19.3 m² (208 sq ft)



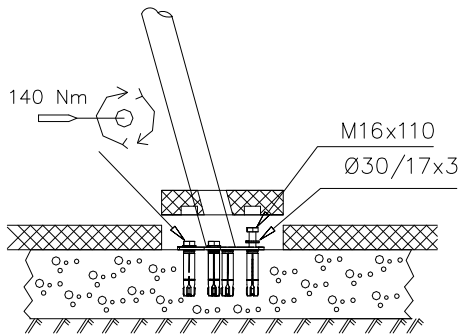


Max Falling Height 1550 mm





DET 13



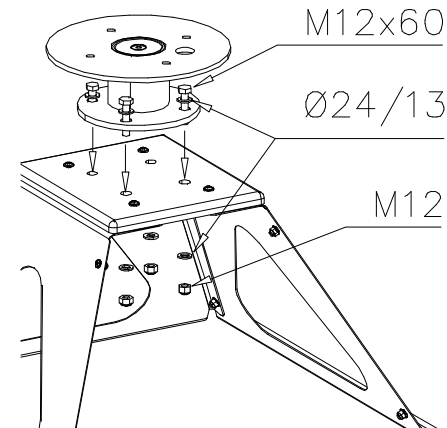
DET 14



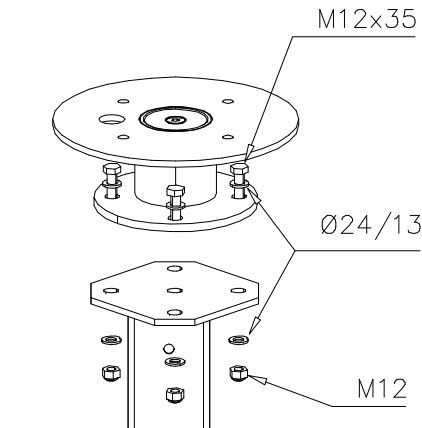
DET 15



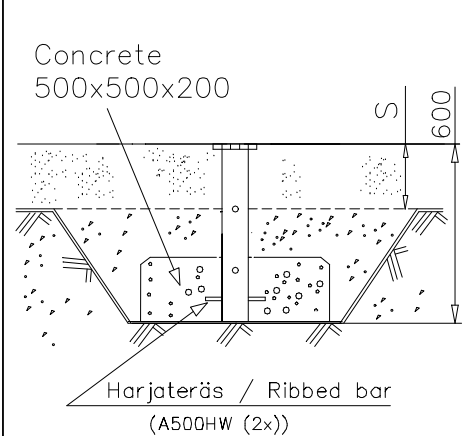
DET 16



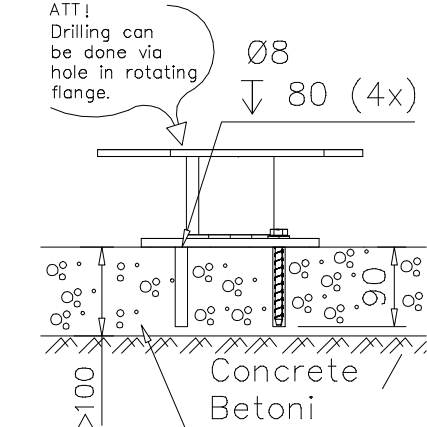
DET 17



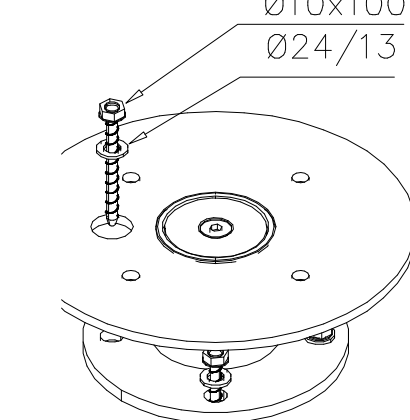
DET 18



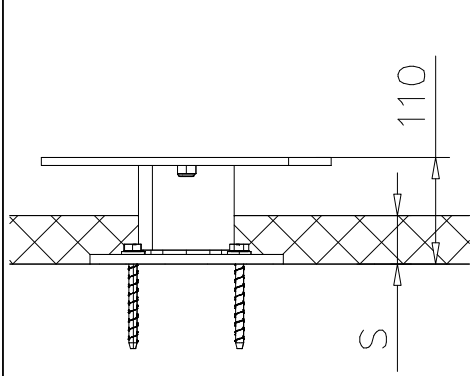
DET 19



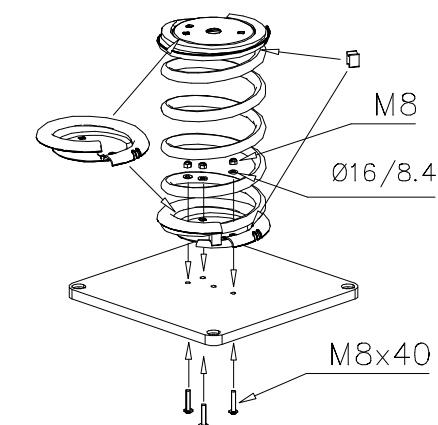
DET 20



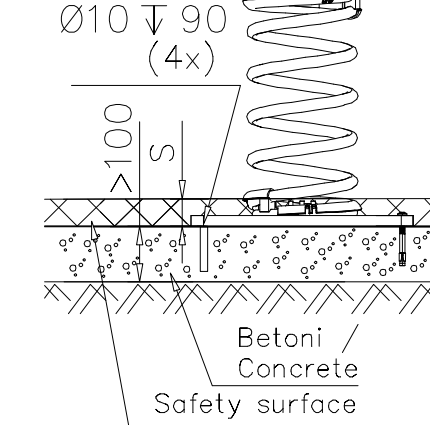
DET 21



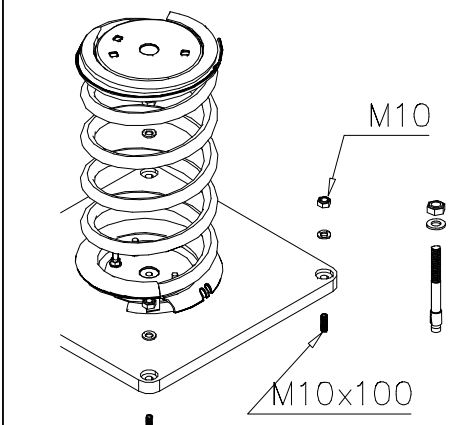
DET 22

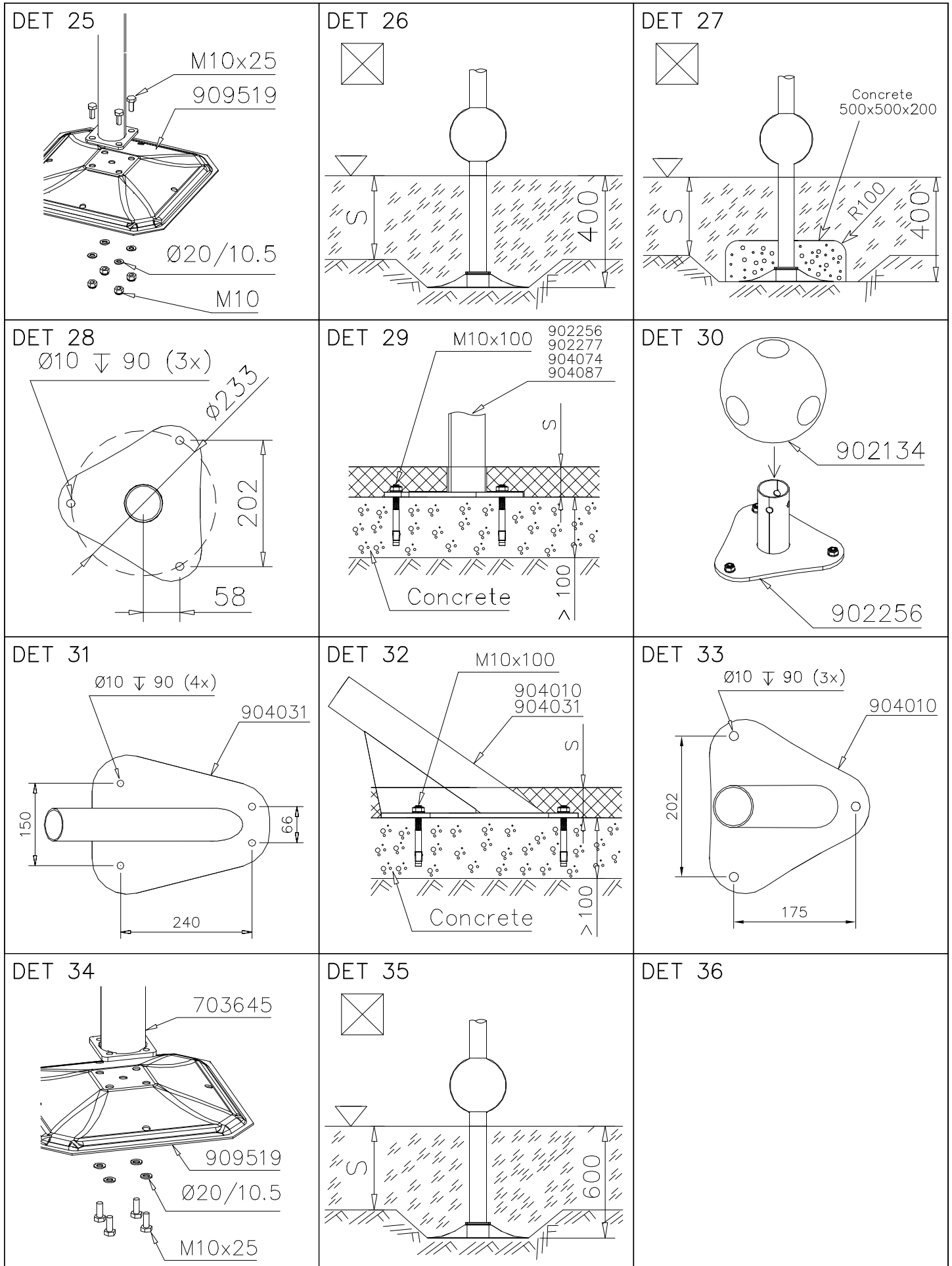


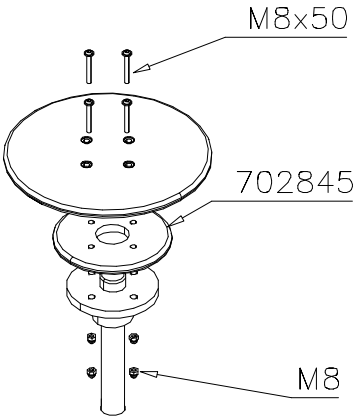
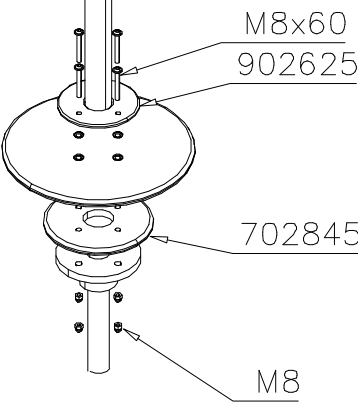
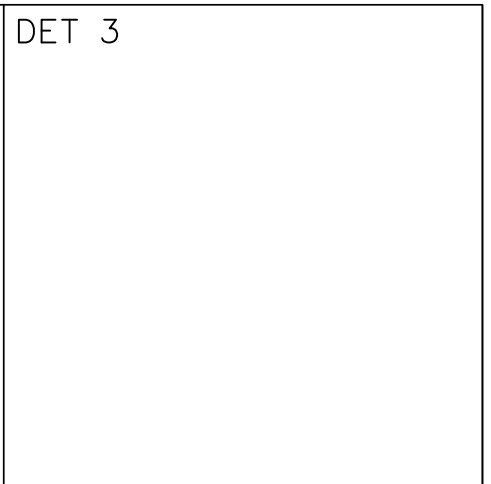
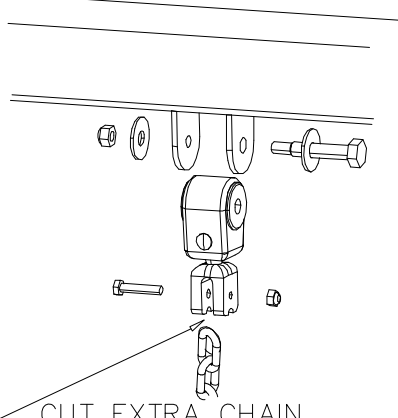
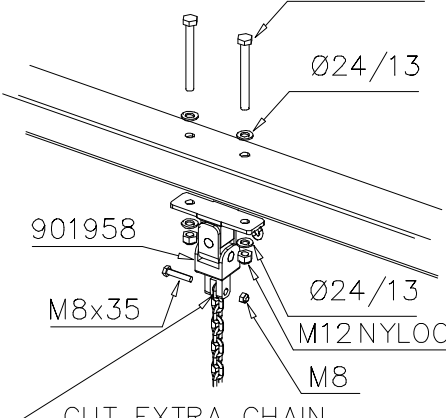
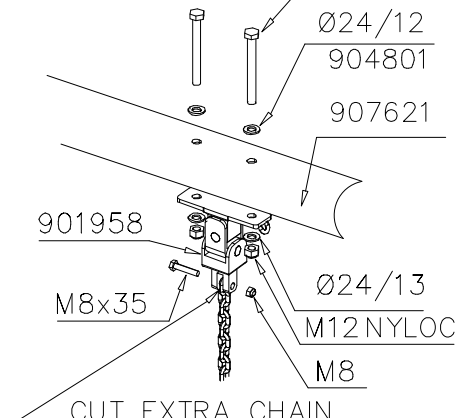
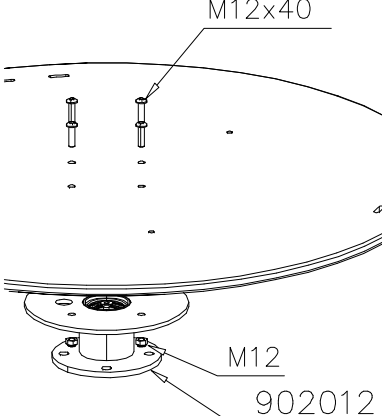
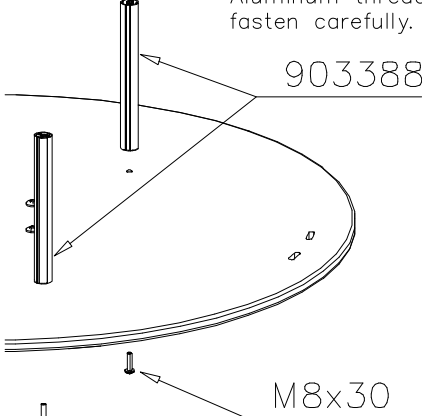
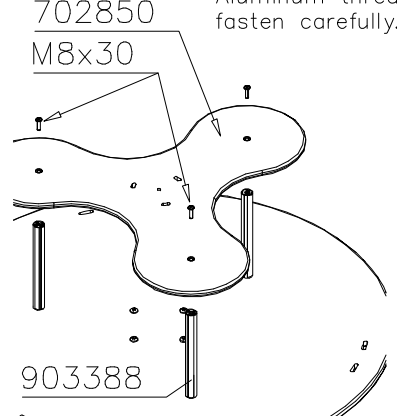
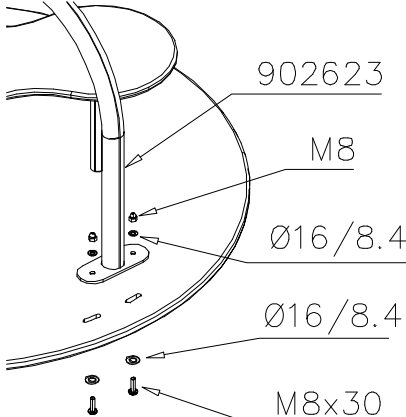
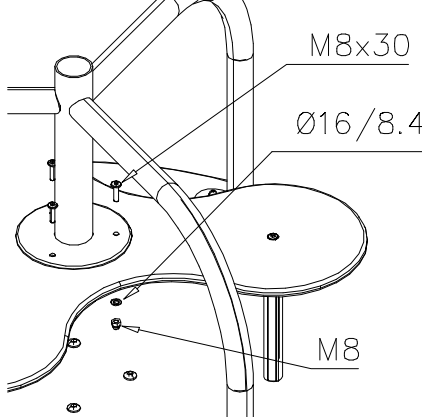
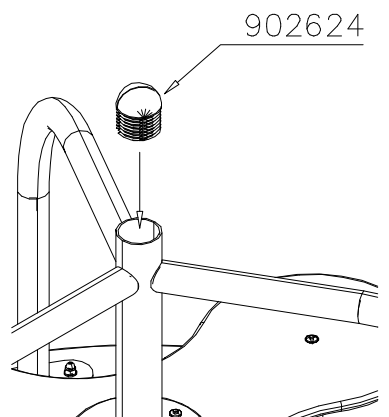
DET 23

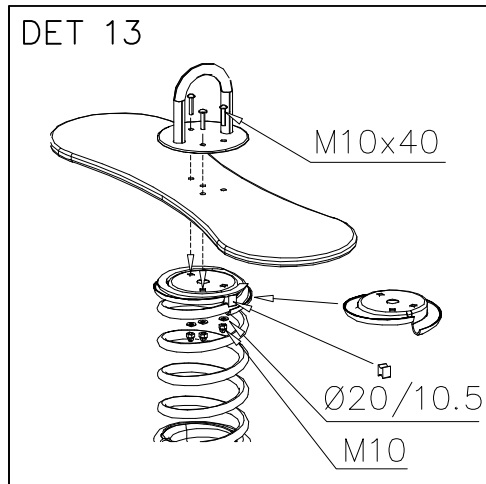
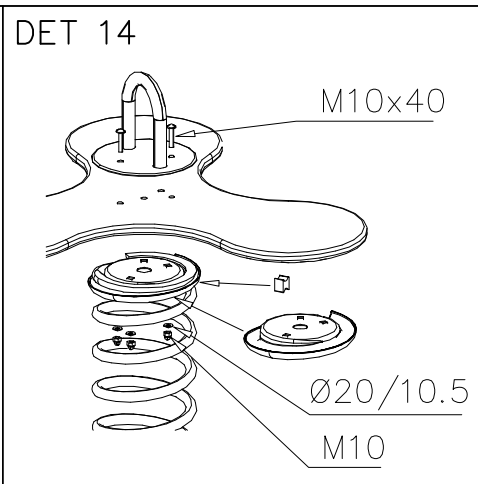
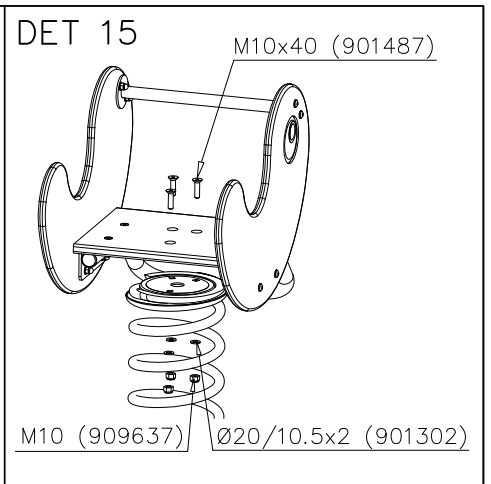
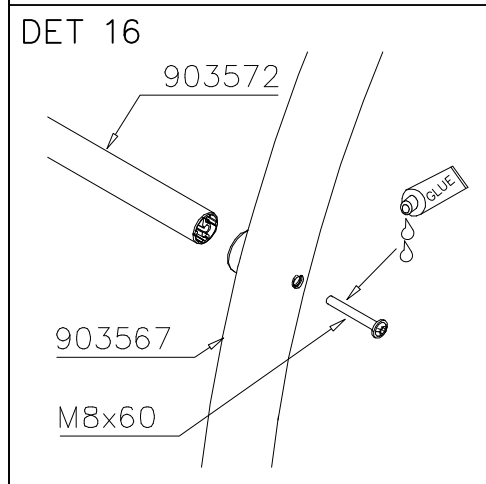
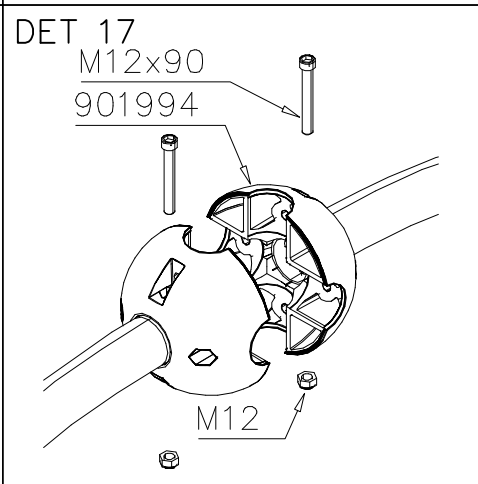
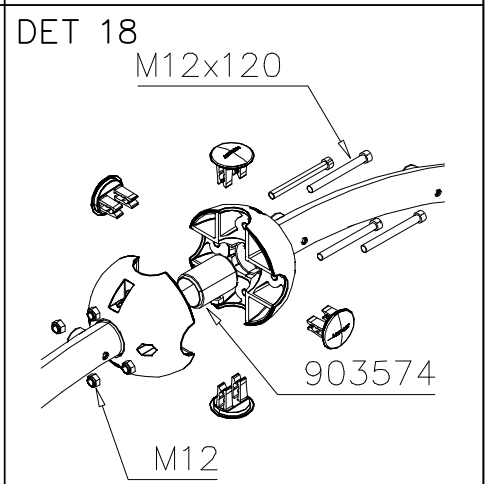
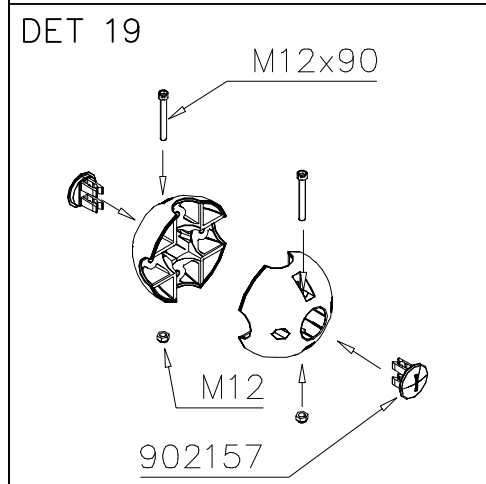
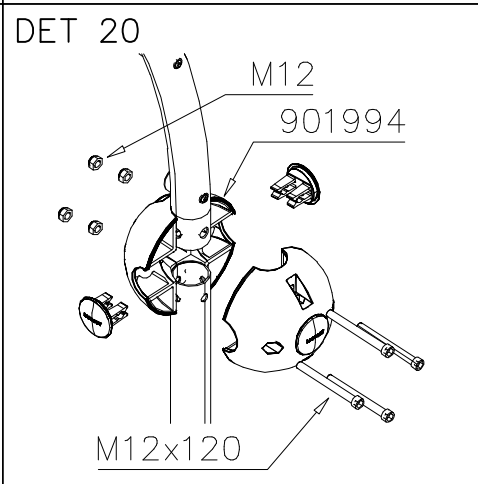
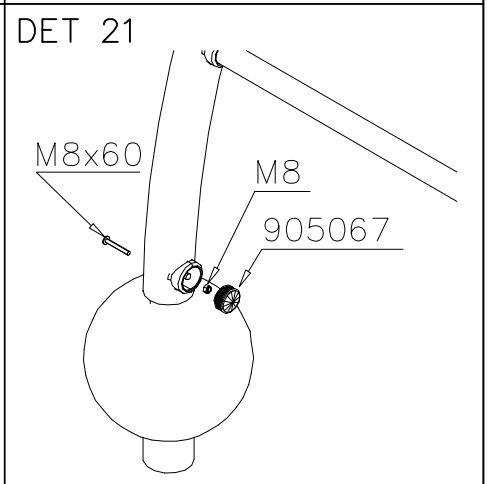
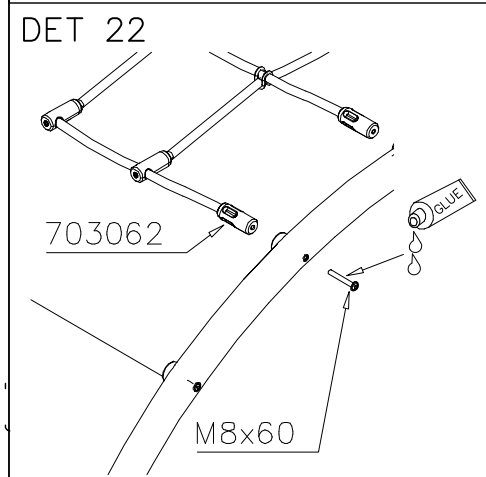
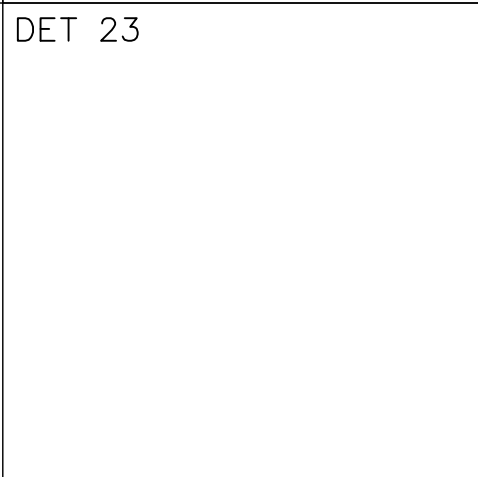
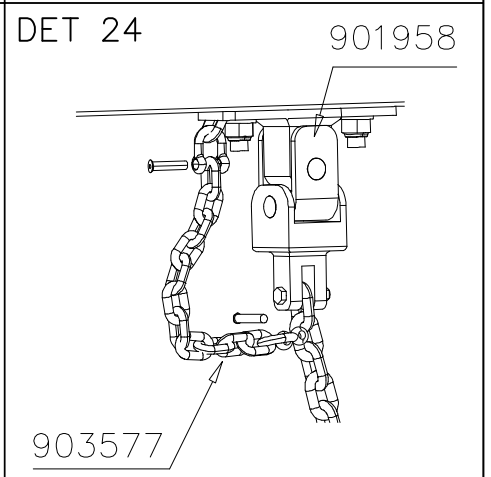


DET 24





<p>DET 1</p>  <p>M8x50</p> <p>702845</p> <p>M8</p>	<p>DET 2</p>  <p>M8x60</p> <p>902625</p> <p>702845</p> <p>M8</p>	<p>DET 3</p> 
<p>DET 4</p>  <p>CUT EXTRA CHAIN</p>	<p>DET 5</p>  <p>M12x110</p> <p>Ø24/13</p> <p>901958</p> <p>M8x35</p> <p>Ø24/13</p> <p>M12 NYLOC</p> <p>M8</p> <p>CUT EXTRA CHAIN</p>	<p>DET 6</p>  <p>M12x120</p> <p>Ø24/12</p> <p>904801</p> <p>907621</p> <p>901958</p> <p>M8x35</p> <p>Ø24/13</p> <p>M12 NYLOC</p> <p>M8</p> <p>CUT EXTRA CHAIN</p>
<p>DET 7</p>  <p>M12x40</p> <p>M12</p> <p>902012</p>	<p>DET 8</p> <p>NOTE: Aluminum thread fasten carefully.</p>  <p>903388</p> <p>M8x30</p>	<p>DET 9</p> <p>NOTE: Aluminum thread fasten carefully.</p>  <p>702850</p> <p>M8x30</p> <p>903388</p>
<p>DET 10</p>  <p>902623</p> <p>M8</p> <p>Ø16/8.4</p> <p>Ø16/8.4</p> <p>M8x30</p>	<p>DET 11</p>  <p>M8x30</p> <p>Ø16/8.4</p> <p>M8</p>	<p>DET 12</p>  <p>902624</p>

<p>DET 13</p>  <p>M10x40</p> <p>Ø20/10.5</p> <p>M10</p>	<p>DET 14</p>  <p>M10x40</p> <p>Ø20/10.5</p> <p>M10</p>	<p>DET 15</p>  <p>M10x40 (901487)</p> <p>M10 (909637)</p> <p>Ø20/10.5x2 (901302)</p>
<p>DET 16</p>  <p>903572</p> <p>903567</p> <p>M8x60</p> <p>GLUE</p>	<p>DET 17</p>  <p>M12x90</p> <p>901994</p> <p>M12</p>	<p>DET 18</p>  <p>M12x120</p> <p>903574</p> <p>M12</p>
<p>DET 19</p>  <p>M12x90</p> <p>902157</p> <p>M12</p>	<p>DET 20</p>  <p>M12</p> <p>901994</p> <p>M12x120</p>	<p>DET 21</p>  <p>M8x60</p> <p>M8</p> <p>905067</p>
<p>DET 22</p>  <p>703062</p> <p>M8x60</p> <p>GLUE</p>	<p>DET 23</p> 	<p>DET 24</p>  <p>901958</p> <p>903577</p>

DET 25-26

M12x120

904100

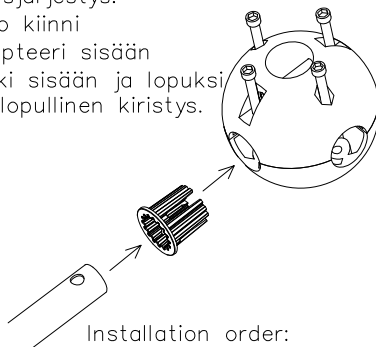
904015

904102

Kun putken pää osuu adapterin kynsiin, adapteri tiukentuu paikoilleen.

Asennusjärjestys:

- 1) Pallo kiinni
- 2) Adapteri sisään
- 3) putki sisään ja lopuksi pallon lopullinen kiristys.



Installation order:

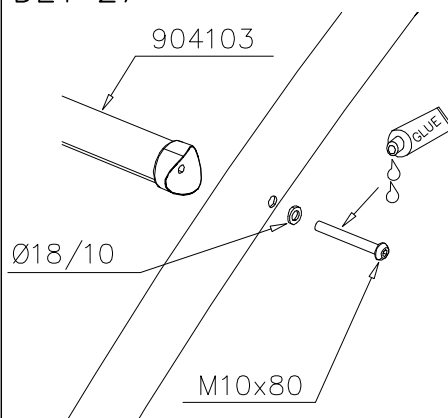
- 1) Close the ball
- 2) Insert adapter
- 3) Insert tube and tighten screws.

DET 27

904103

Ø18/10

M10x80



DET 28

906621
M12x35
(909347)

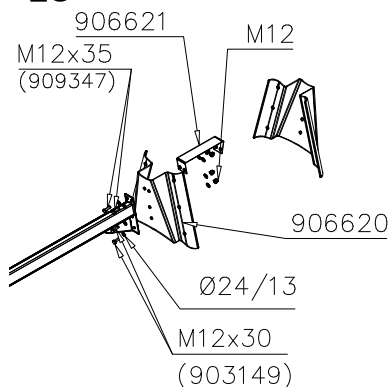
M12

906620

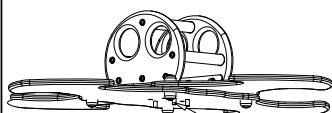
Ø24/13

M12x30
(903149)

M12 → 60 Nm



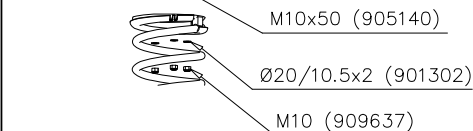
DET 29



M10x50 (905140)

Ø20/10.5x2 (901302)

M10 (909637)



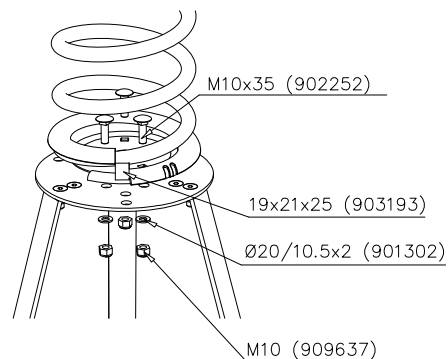
DET 30

M10x35 (902252)

19x21x25 (903193)

Ø20/10.5x2 (901302)

M10 (909637)



DET 31

M12 → 60 Nm

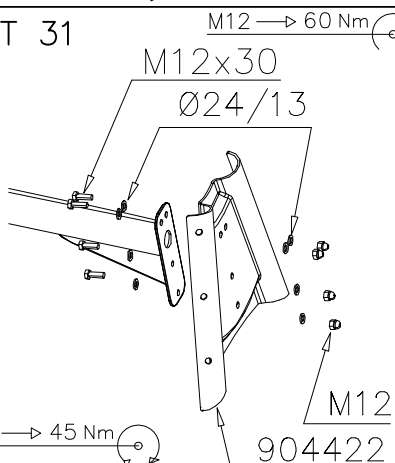
M12x30

Ø24/13

M10 → 45 Nm

M12

904422



DET 32

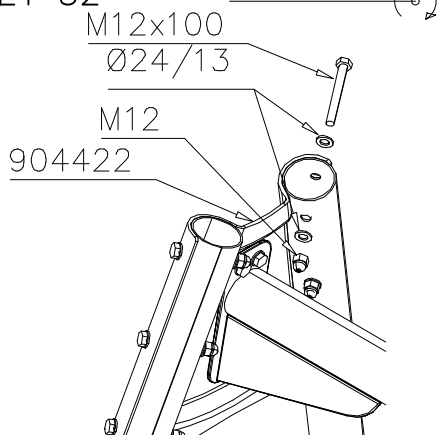
M12 → 60 Nm

M12x100

Ø24/13

M12

904422



DET 33

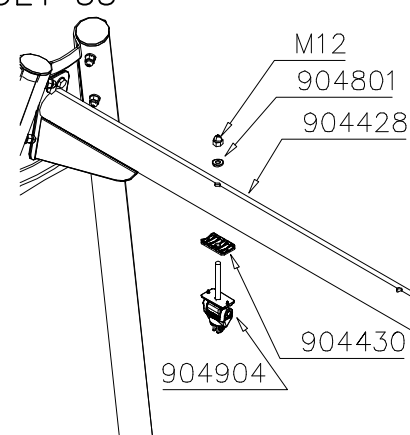
M12

904801

904428

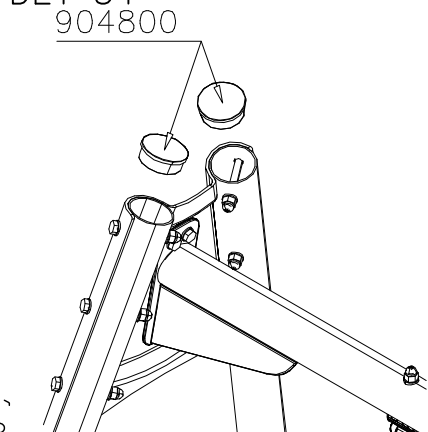
904904

904430

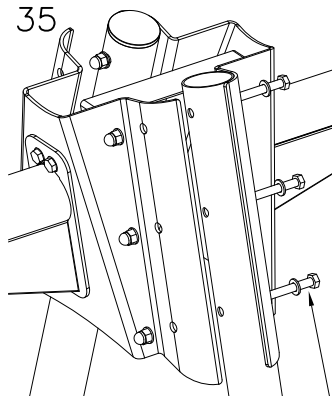


DET 34

904800

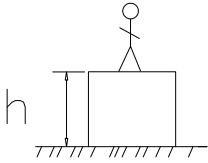



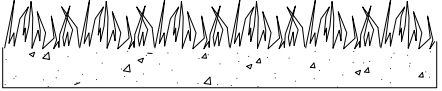
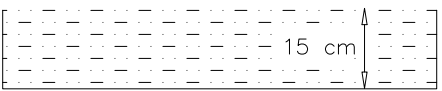
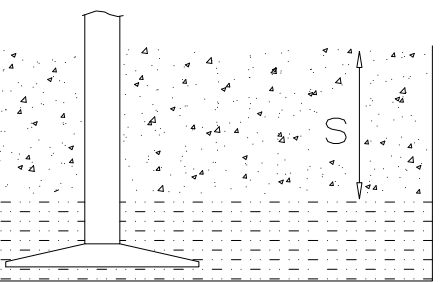
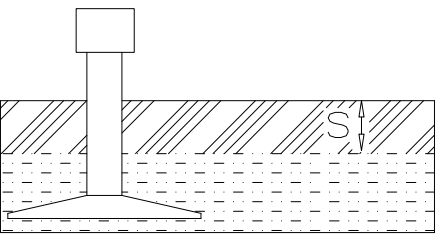


DET 35

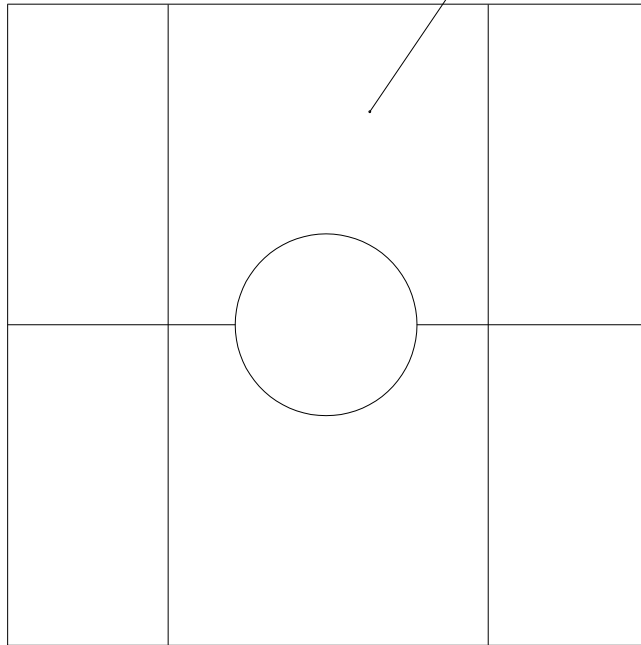


M12x110

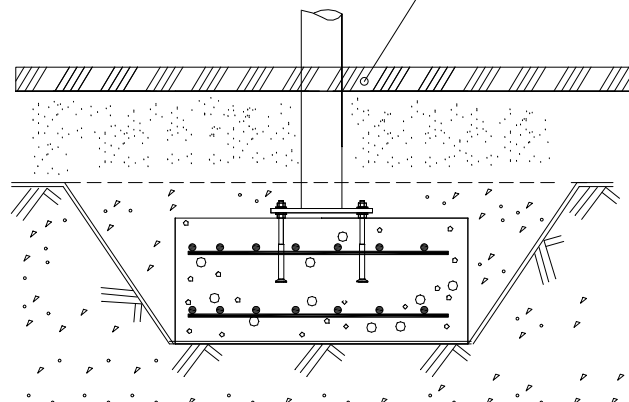
DET 36

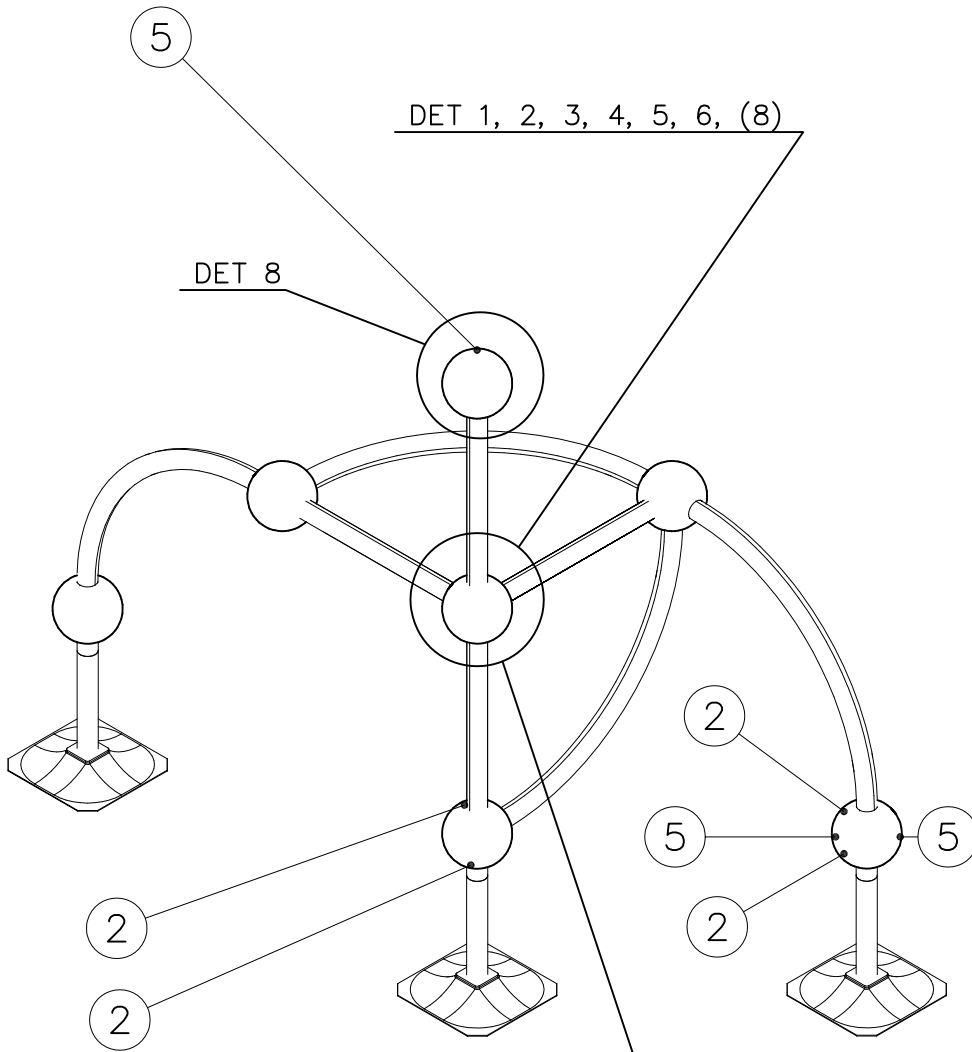
																		
<p>$h < 600$</p> <p>Without movement and therefore without Impact Area</p>	<p>Totally hard surfaces.</p> <p>Note. Lappset does <u>not</u> recommend totally hard surfaces at all.</p>	<p>E.g. concrete or asphalt</p> 																
<p>$h < 600$</p> <p>With movement e.g. rocking</p>	<p>Materials with very limited impact attenuating properties.</p>	<p>E.g. wood</p> 																
<p>$h < 1000$</p>	<p>Materials with significant impact attenuating properties.</p>	<p>fine gravel 0–8 mm</p>  <p>grass</p>  <p>unsorted sand</p> 																
<p>$h < 3000$</p>	<p>Loose fill material</p> <p>E.g. sand/gravel 0,25...8 mm D60/D10<3,0 Woodchips 5...30 mm bark 20...80 mm</p> <p>Syntethic granulates</p> <table data-bbox="399 1881 766 2060"> <thead> <tr> <th>\underline{S}</th> <th>\underline{h}</th> </tr> </thead> <tbody> <tr> <td>40 mm</td> <td>~> 1,2...1,3 m</td> </tr> <tr> <td>50 mm</td> <td>~> 1,5...1,7 m</td> </tr> <tr> <td>60 mm</td> <td>~> 1,8...2,0 m</td> </tr> <tr> <td>70 mm</td> <td>~> 2,1...2,5 m</td> </tr> </tbody> </table> <p>Note. For accurate values, see manufacturer's instructions.</p>	\underline{S}	\underline{h}	40 mm	~> 1,2...1,3 m	50 mm	~> 1,5...1,7 m	60 mm	~> 1,8...2,0 m	70 mm	~> 2,1...2,5 m	 <table data-bbox="1021 1680 1356 1792"> <thead> <tr> <th>\underline{S}</th> <th>\underline{h}</th> </tr> </thead> <tbody> <tr> <td>30 cm</td> <td>< 2,0 m</td> </tr> <tr> <td>40 cm</td> <td>< 3,0 m</td> </tr> </tbody> </table> 	\underline{S}	\underline{h}	30 cm	< 2,0 m	40 cm	< 3,0 m
\underline{S}	\underline{h}																	
40 mm	~> 1,2...1,3 m																	
50 mm	~> 1,5...1,7 m																	
60 mm	~> 1,8...2,0 m																	
70 mm	~> 2,1...2,5 m																	
\underline{S}	\underline{h}																	
30 cm	< 2,0 m																	
40 cm	< 3,0 m																	

REMOVE SAFETY SURFACE/SAND/GRAVEL
TO CHECK FOUNDATION

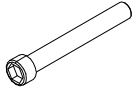

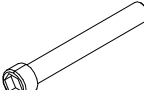



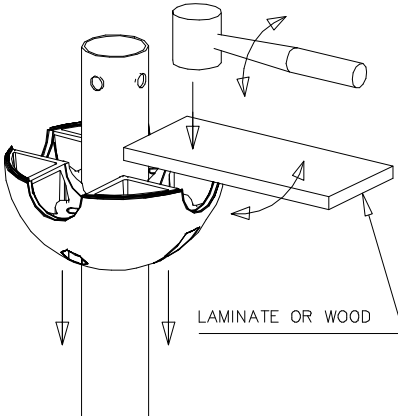
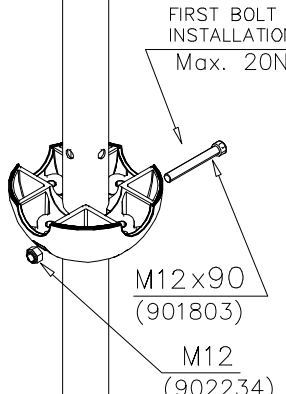
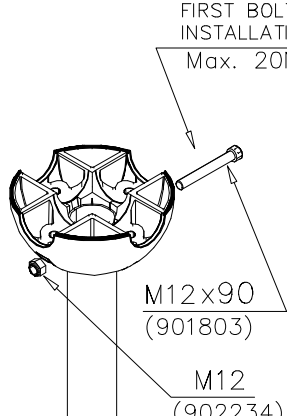
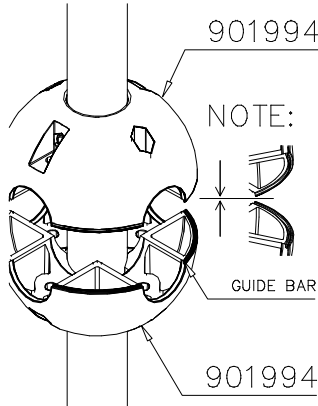
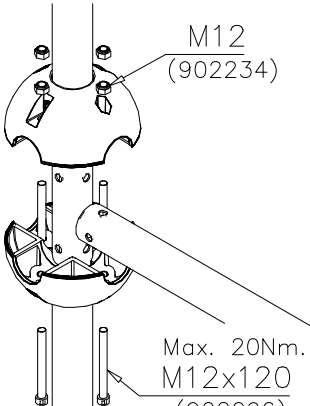
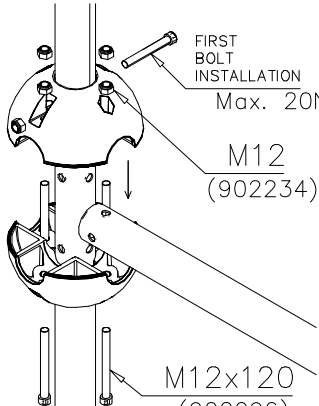
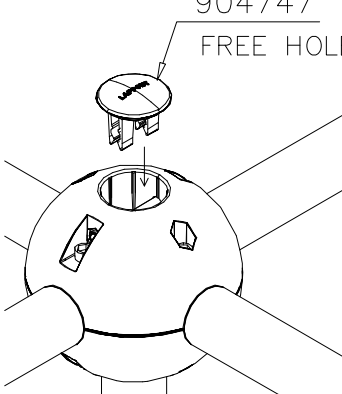

REMOVE SAFETY SURFACE/SAND/GRAVEL
TO CHECK FOUNDATION





DO NOT TIGHTEN THE JOINTS UNTIL THE STRUCTURE IS COMPLETE.

① 901803	PCS	② 901994	PCS
	2		2
M12x90		Ø190	
③ 902096	PCS	④ 902234	PCS
	4		6
M12x120		M12	
	PCS		PCS
	PCS		PCS
	PCS		PCS
	PCS		PCS
	PCS		PCS
	PCS		PCS

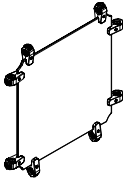
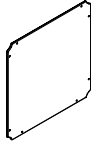
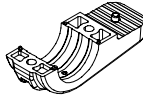
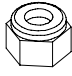
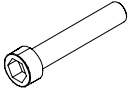
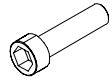
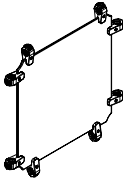
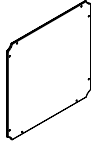
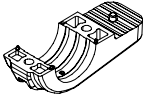
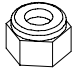
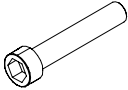
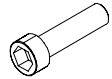
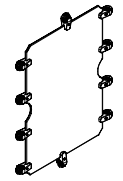
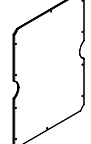
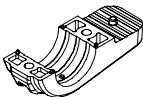
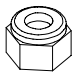
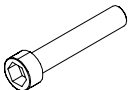
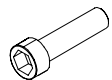
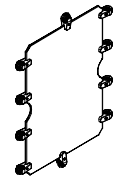
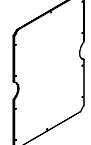
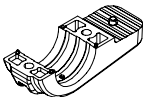
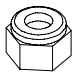
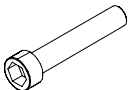
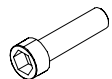
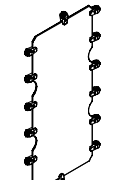
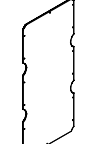
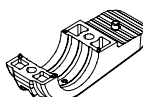
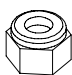
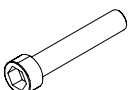
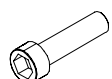
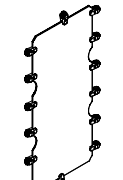
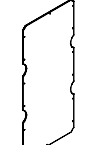
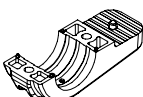
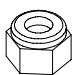
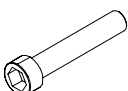
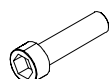
<p>DET 1</p>  <p>LAMINATE OR WOOD</p>	<p>DET 2</p>  <p>FIRST BOLT INSTALLATION Max. 20Nm.</p> <p>M12x90 (901803)</p> <p>M12 (902234)</p>	<p>DET 3</p>  <p>FIRST BOLT INSTALLATION Max. 20Nm.</p> <p>M12x90 (901803)</p> <p>M12 (902234)</p>
<p>DET 4</p>  <p>901994</p> <p>NOTE:</p> <p>GUIDE BAR</p> <p>901994</p>	<p>DET 5</p>  <p>M12 (902234)</p> <p>Max. 20Nm. M12x120 (902096)</p>	<p>DET 6</p>  <p>FIRST BOLT INSTALLATION Max. 20Nm.</p> <p>M12 (902234)</p> <p>M12x120 (902096)</p>
<p>REMEMBER FINAL TIGHTENING</p>	<p>DET 7</p>  <p>902157 or 904747</p> <p>FREE HOLE</p>	<p>DET 8</p>  <p>902157 or 904747</p> <p>FREE HOLE</p>

WINAM GROUP WALL

PARKOUR

DATE: 17.11.2010



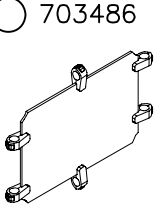
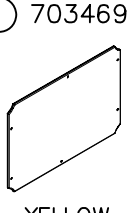
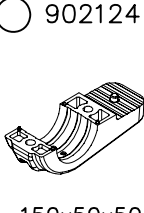
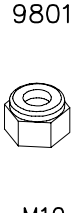
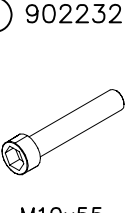
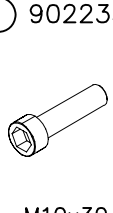
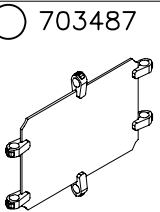
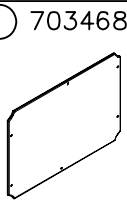
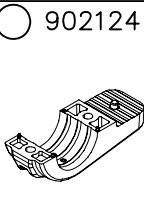
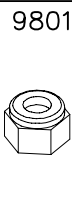
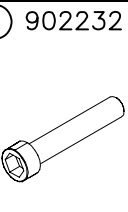
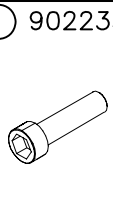
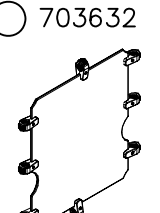
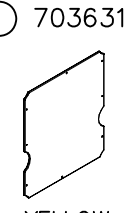
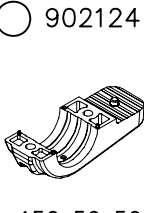
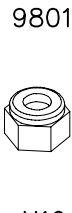
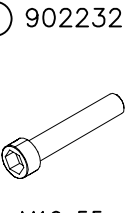
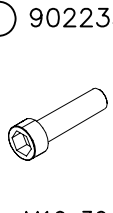
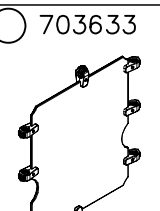
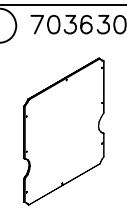
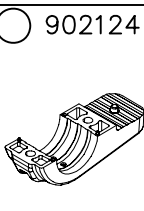
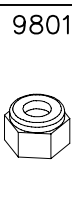
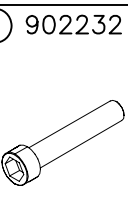
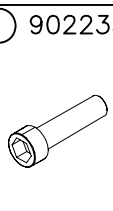
○ 703456 	○ 703457 GRAY 	PCS 1	○ 902124  150x50x50	PCS 16	○ 980161  M10	PCS 16	○ 902232  M10x55	PCS 8	○ 902233  M10x30	PCS 8		PCS
○ 703459 	○ 703458 YELLOW 	PCS 1	○ 902124  150x50x50	PCS 16	○ 980161  M10	PCS 16	○ 902232  M10x55	PCS 8	○ 902233  M10x30	PCS 8		PCS
		PCS		PCS		PCS		PCS		PCS		PCS
○ 703479 	○ 703471 YELLOW 	PCS 1	○ 902124  150x50x50	PCS 20	○ 980161  M10	PCS 20	○ 902232  M10x55	PCS 10	○ 902233  M10x30	PCS 10		PCS
○ 703485 	○ 703470 GRAY 	PCS 1	○ 902124  150x50x50	PCS 20	○ 980161  M10	PCS 20	○ 902232  M10x55	PCS 10	○ 902233  M10x30	PCS 10		PCS
		PCS		PCS		PCS		PCS		PCS		PCS
○ 703480 	○ 703473 YELLOW 	PCS 1	○ 902124  150x50x50	PCS 28	○ 980161  M10	PCS 28	○ 902232  M10x55	PCS 14	○ 902233  M10x30	PCS 14		PCS
○ 703484 	○ 703472 GRAY 	PCS 1	○ 902124  150x50x50	PCS 28	○ 980161  M10	PCS 28	○ 902232  M10x55	PCS 14	○ 902233  M10x30	PCS 14		PCS

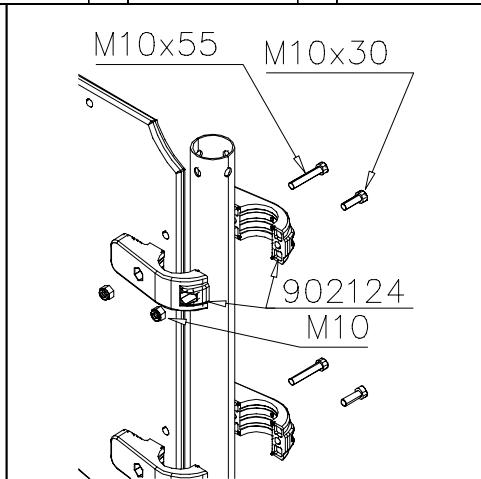
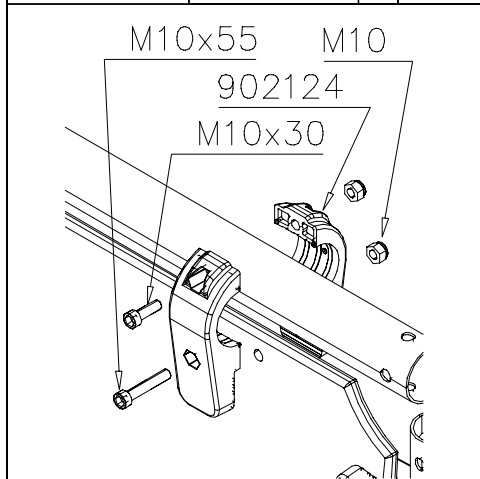
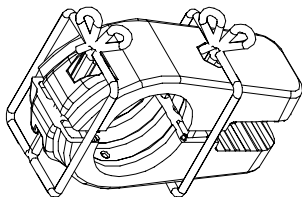
WINAM GROUP WALL

PARKOUR

DATE: 17.11.2010

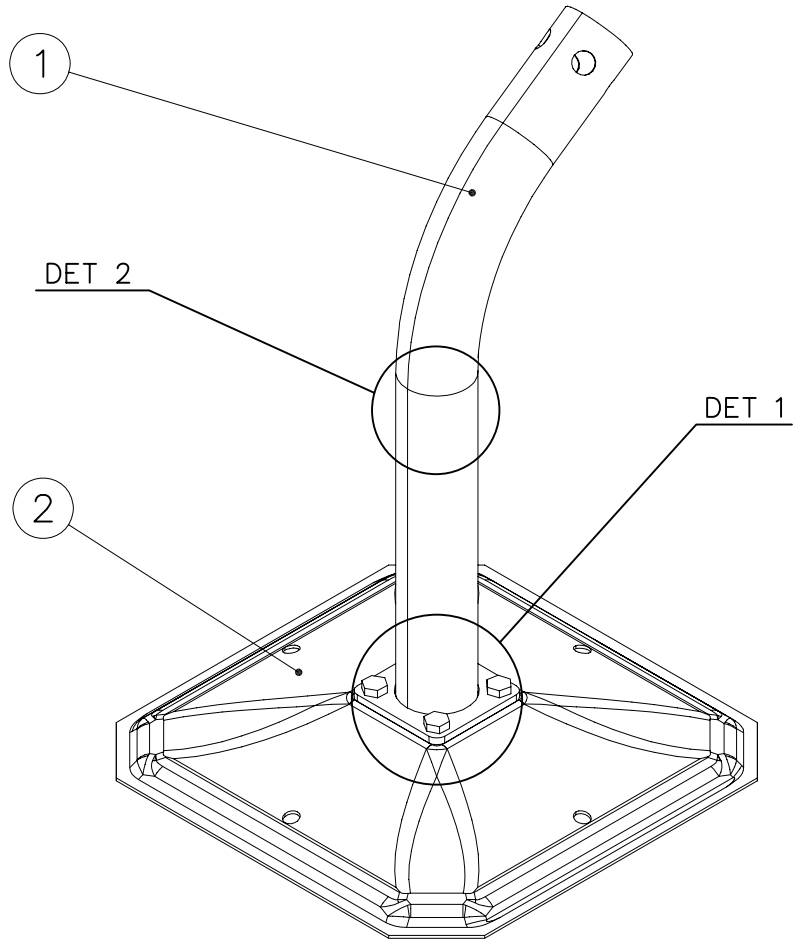
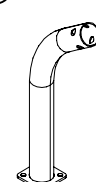
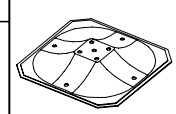
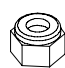

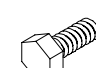


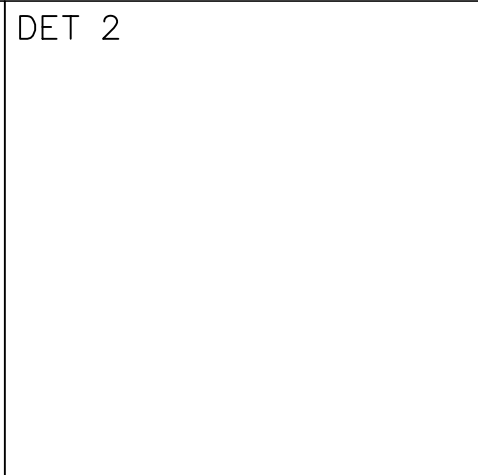
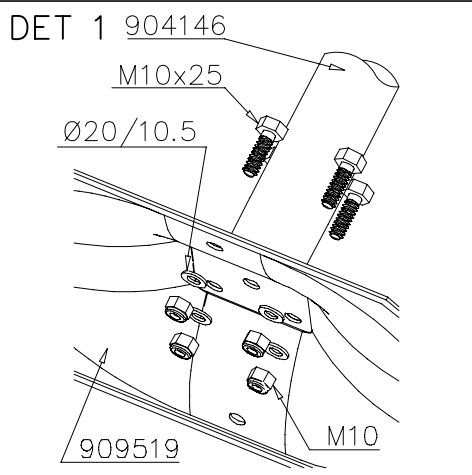
	 YELLOW	PCS 1	 150x50x50	PCS 12	 M10	PCS 12	 M10x55	PCS 6	 M10x30	PCS 6		PCS
	 GRAY	PCS 1	 150x50x50	PCS 12	 M10	PCS 12	 M10x55	PCS 6	 M10x30	PCS 6		PCS
		PCS		PCS		PCS		PCS		PCS		PCS
	 YELLOW	PCS 1	 150x50x50	PCS 16	 M10	PCS 16	 M10x55	PCS 8	 M10x30	PCS 8		PCS
	 GRAY	PCS 1	 150x50x50	PCS 16	 M10	PCS 16	 M10x55	PCS 8	 M10x30	PCS 8		PCS
		PCS		PCS		PCS		PCS		PCS		PCS

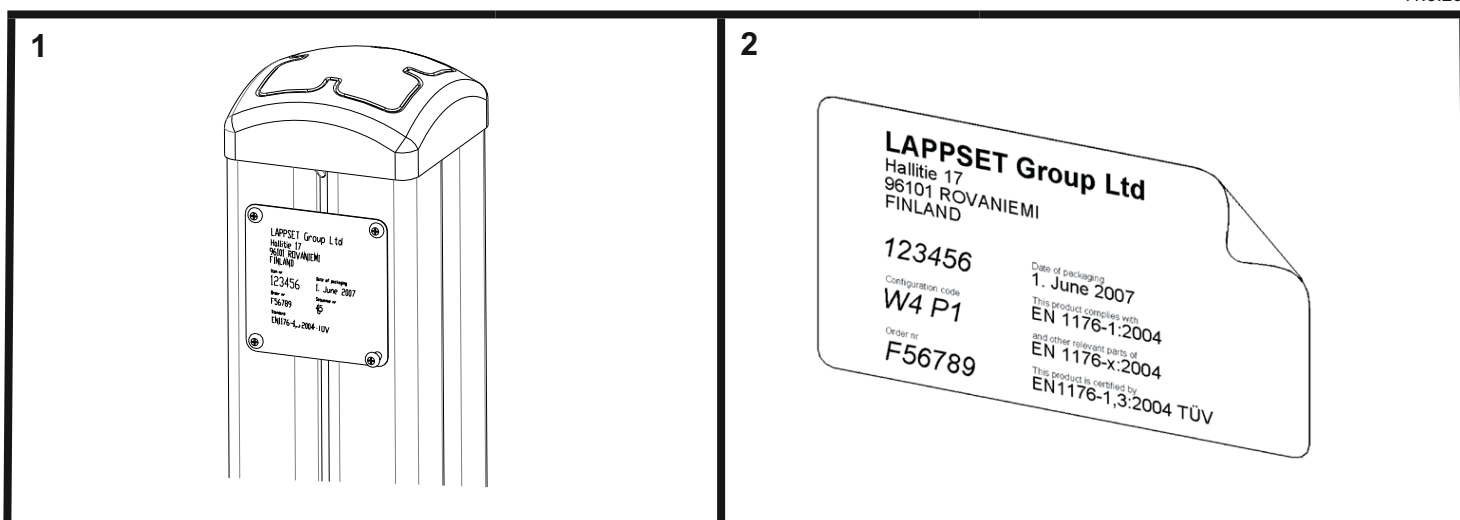



NOTE:
Use a wire marked pairs
of the same junction.

Huom!
Käytä langalla merkittyä
paria samassa liitoksessa.

	① 904146 	PCS 1	② 909519 	PCS 1
	③ 909637 	PCS 4 M10	④ 909638 	PCS 4 Ø20/10.5
	⑤ 909639 	PCS 4 M10x25		PCS
		PCS		PCS
		PCS		PCS
		PCS		PCS





Tuotekyltti tulee tuotteen mukana yhdellä seuraavista tavoista:

1) Metallinen tuotekyltti ja kiinnitysruuvit

- Kiinnitä tuotekyltti ruuveilla tolppaan noin 2 metrin korkeuteen kuvan 2 mukaisesti.

2) Tuotekylttitarra

- Puhdista maalattu metalli- tai vaneripinta pölystä ja kosteudesta. Liimaa tarra kuvan 3 mukaisesti.
- Huom. Älä kiinnitä tarraa karheapintaiseen laminaattiin tai maalattuun puuhun.

Vår produktmärkning levereras på ett av följande sätt:

1) Produktskylt i metall

- Fäst skylten med de medföljande skruvarna

2) Självhäftande produktetikett

- Rengör den pulverlackerad metallytan eller laminerad ytan så att den blir fri från smuts och fukt. Fäst etiketten enligt fig. 3.
- Obs! Fäst ej etiketten på detaljer med skrovlig yta eller på målat trä.

Product label is delivered by one of following ways:

1) Metal product label and screws

- Fasten the label with screws.

2) Label sticker

- Clean the painted metal or plywood surface from dirt and moisture. Fasten the sticker as shown in the figure 3.
- Note. Do not attach the sticker to rough surfaced laminate or painted wood.

La plaque d'informations produit est livrée sous l'une de ces 3 formes :

1) Plaque métallique et vis

- Fixez la plaque à l'aide des vis.

2) Etiquette autocollante

- Avant de coller l'étiquette, nettoyez le composant métallique peint ou la plaque de contreplaqué, de toute saleté. La surface doit être sèche (voir image 3).
- Attention, ne pas coller l'étiquette sur une surface lamellé-collée irrégulière ou sur du bois peint.

Die Auslieferung des Produktaufklebers erfolgt auf eine dieser Arten:

1) Produkt-Schild aus Metall incl. Schrauben

- Die Befestigung des Schildes erfolgt mittels der Schrauben.

2) Aufkleber

- Entfernen Sie zunächst Schmutz und Feuchtigkeit vom lackierten Metall bzw. von der Holzoberfläche und bringen Sie den Aufkleber wie im Bild oben rechts beschrieben auf den gesäuberten Untergrund auf.
- Beachten Sie: Bringen Sie den Aufkleber nicht auf raues laminiertes oder lackiertes Holz an.