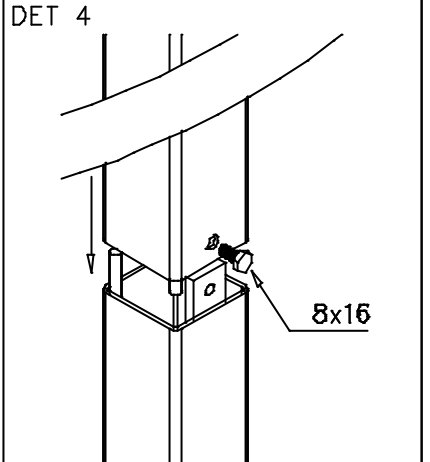


Dimensions:
 - Total width: 1520
 - Spacing between posts: 1020
 - Post diameter: 200
 - Post height: 630
 - Arc radius: 1135
 - Arc height: 492.5

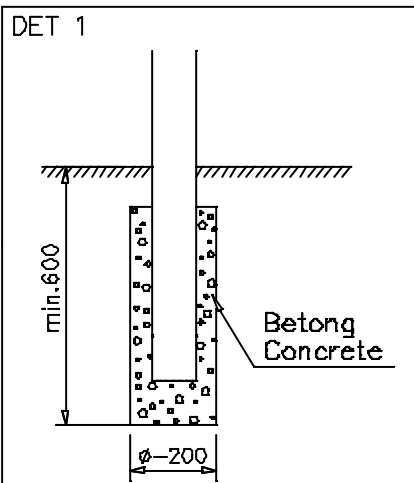
Details:
 - DET 1: Foundation in concrete (min. 600 depth, 200 diameter)
 - DET 2: Post connection detail
 - DET 3: Arc connection detail
 - DET 4: Corner joint detail

①	N01816	ST	②	N01830	ST
	8x16	3		8x30	16
③	N76411	ST	④	N76412	ST
		1			1
⑤	N76413	ST	⑥	N76605	ST
		2			8
⑦	N76606	ST			ST
		16			

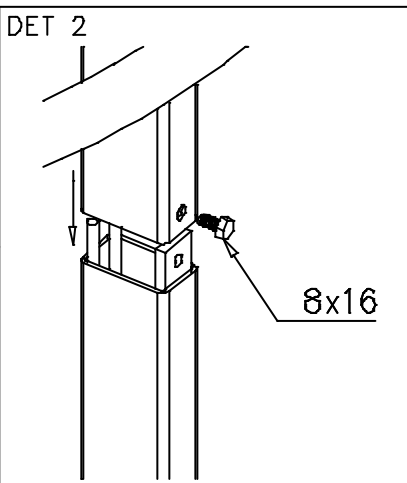
DET 4



DET 1



DET 2



DET 3

