

WINAM GROUP

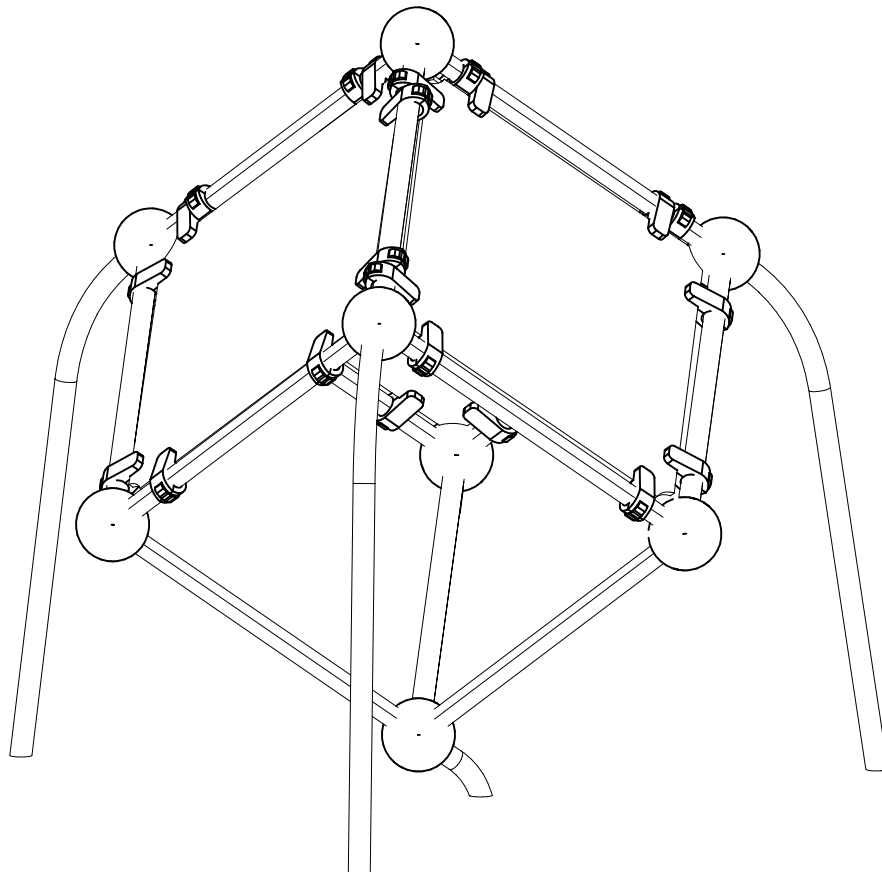


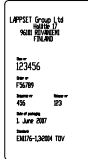
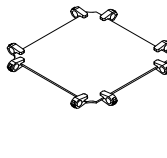
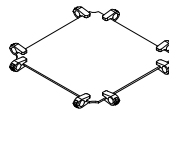
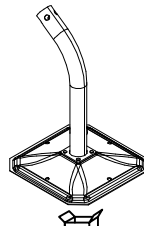

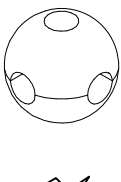
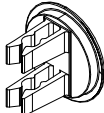
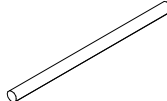
PARKOUR

ASENNUSOHJE
MONTERINGSANSVISNING
INSTALLATION INSTRUCTION
AUFBAUANLEITUNG
NOTICE D'INSTALLATION

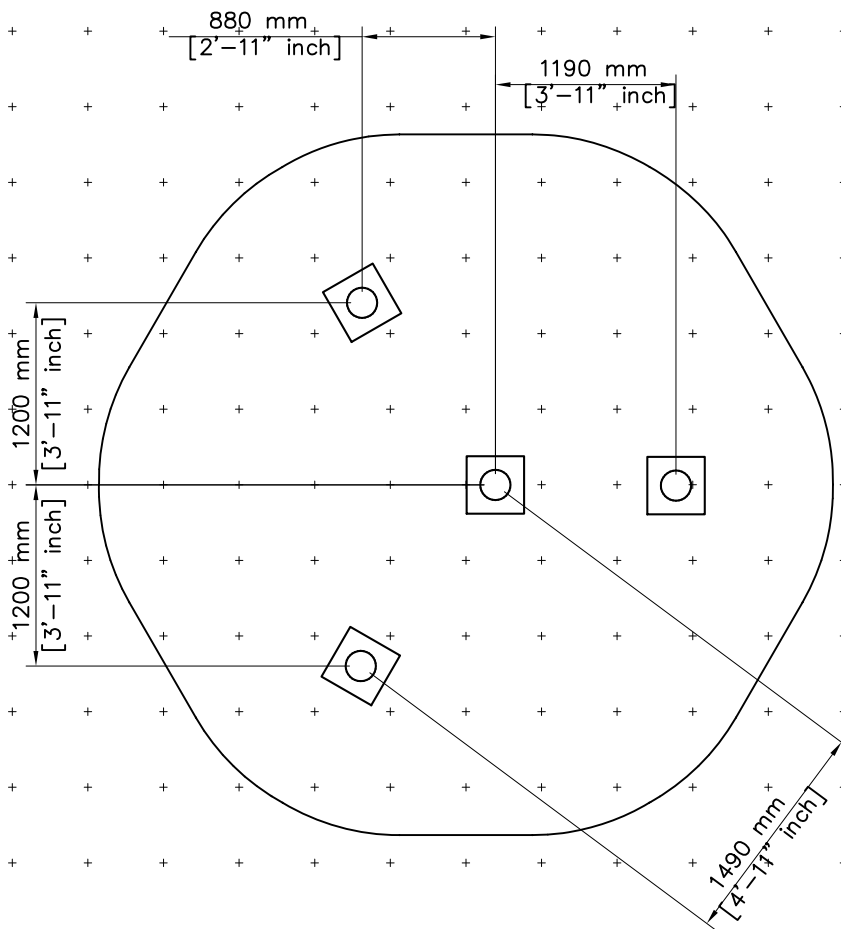
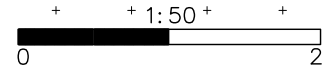
DATE: 23.2.2015

220531

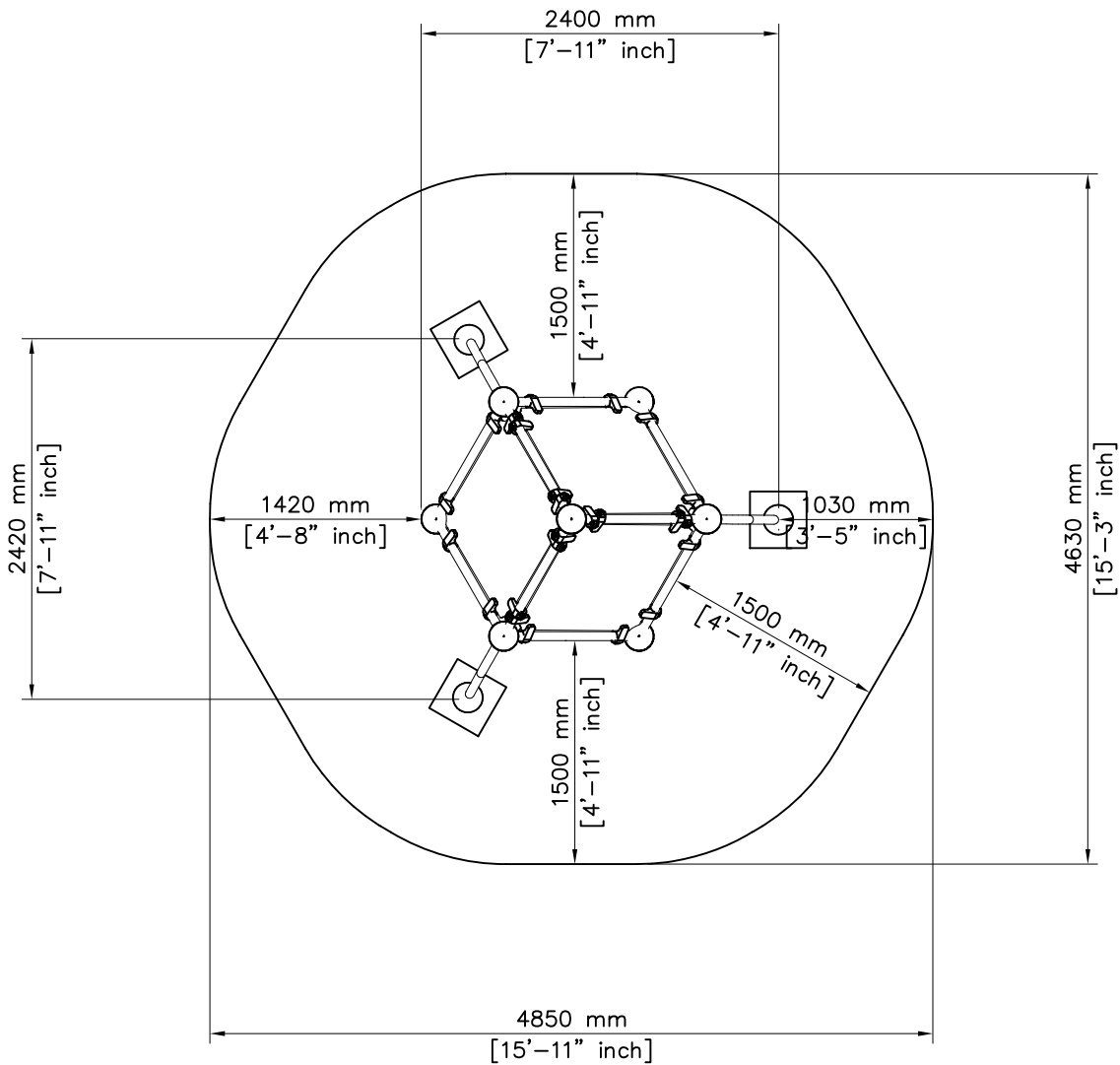
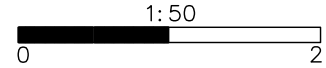


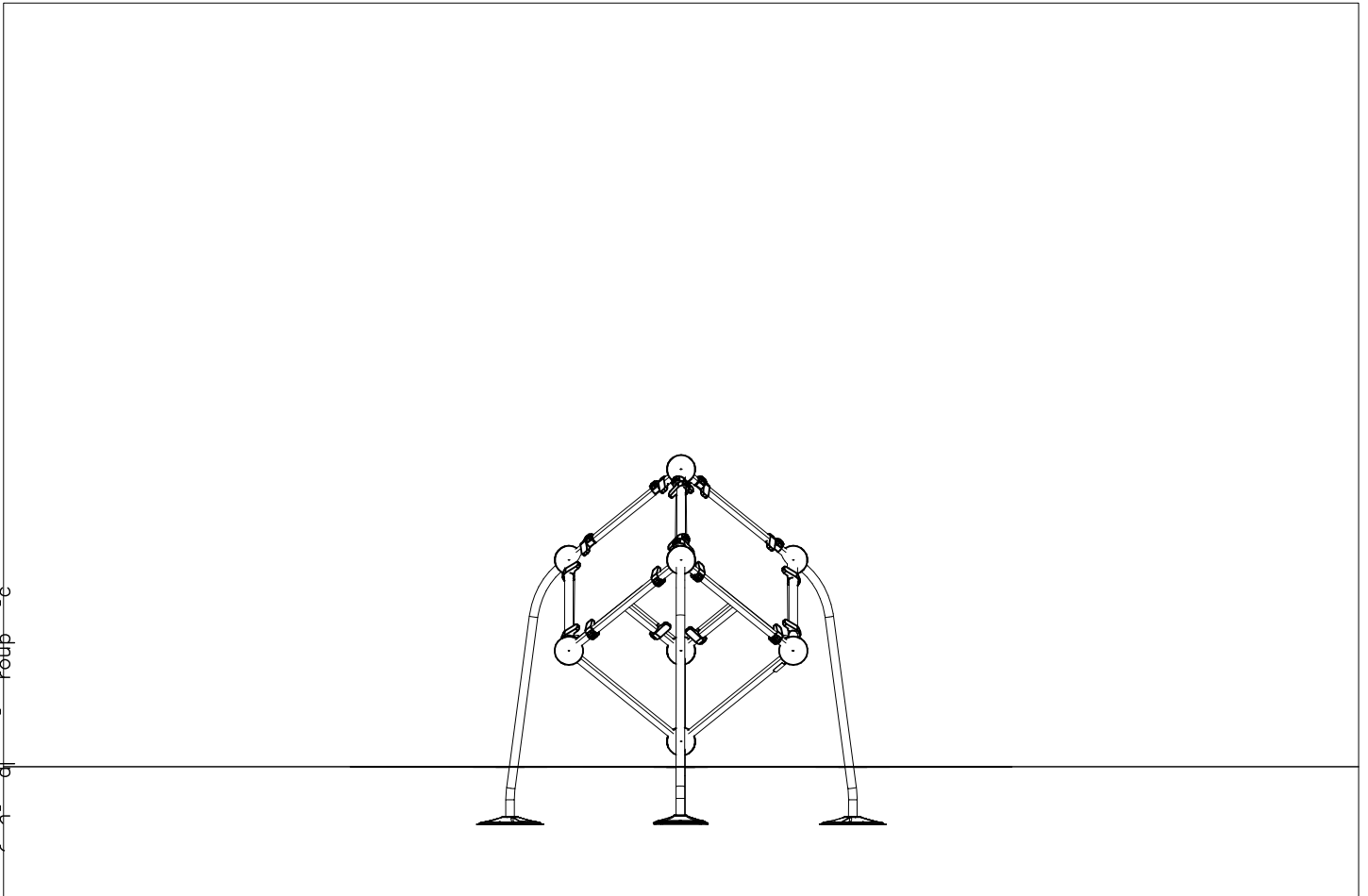
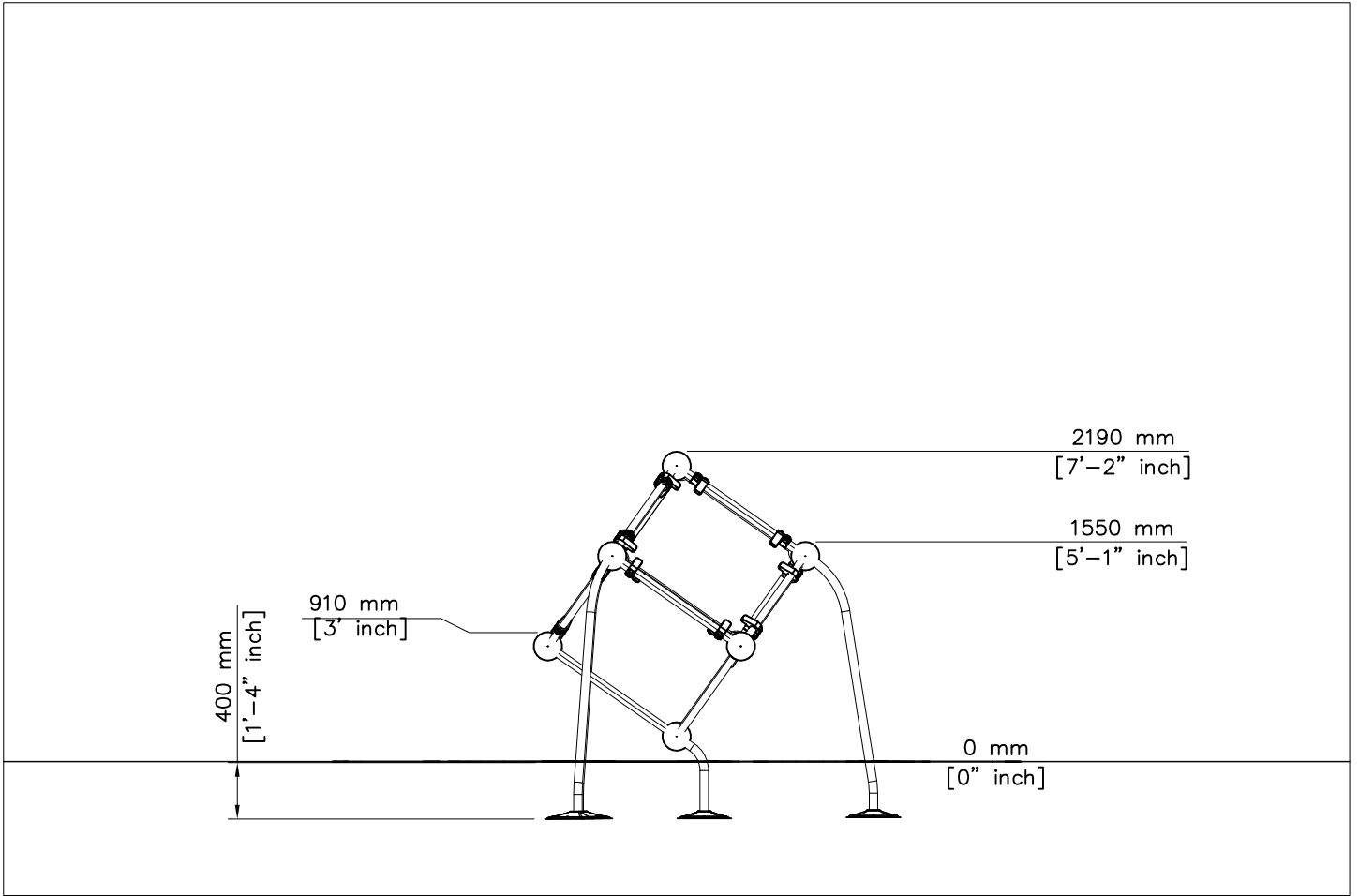
| | | | | | |
|---|--|---|---|---|---|
| <p>702341</p> <p>PCS</p> <p>1</p>  <p>90x50</p> | <p>703456</p> <p>PCS</p> <p>2</p>  | <p>703459</p> <p>PCS</p> <p>1</p>  | <p>703638</p> <p>PCS</p> <p>1</p>  | <p>703640</p> <p>PCS</p> <p>3</p>  | <p>902134</p> <p>PCS</p> <p>8</p>  |
| <p>904747</p> <p>PCS</p> <p>20</p>  <p>60x60x2</p> | <p>902424</p> <p>PCS</p> <p>12</p>  <p>L 1034</p> | | | | |
| | | | | | |
| | | | | | |
| | | | | | |
| | | | | | |
| | | | | | |

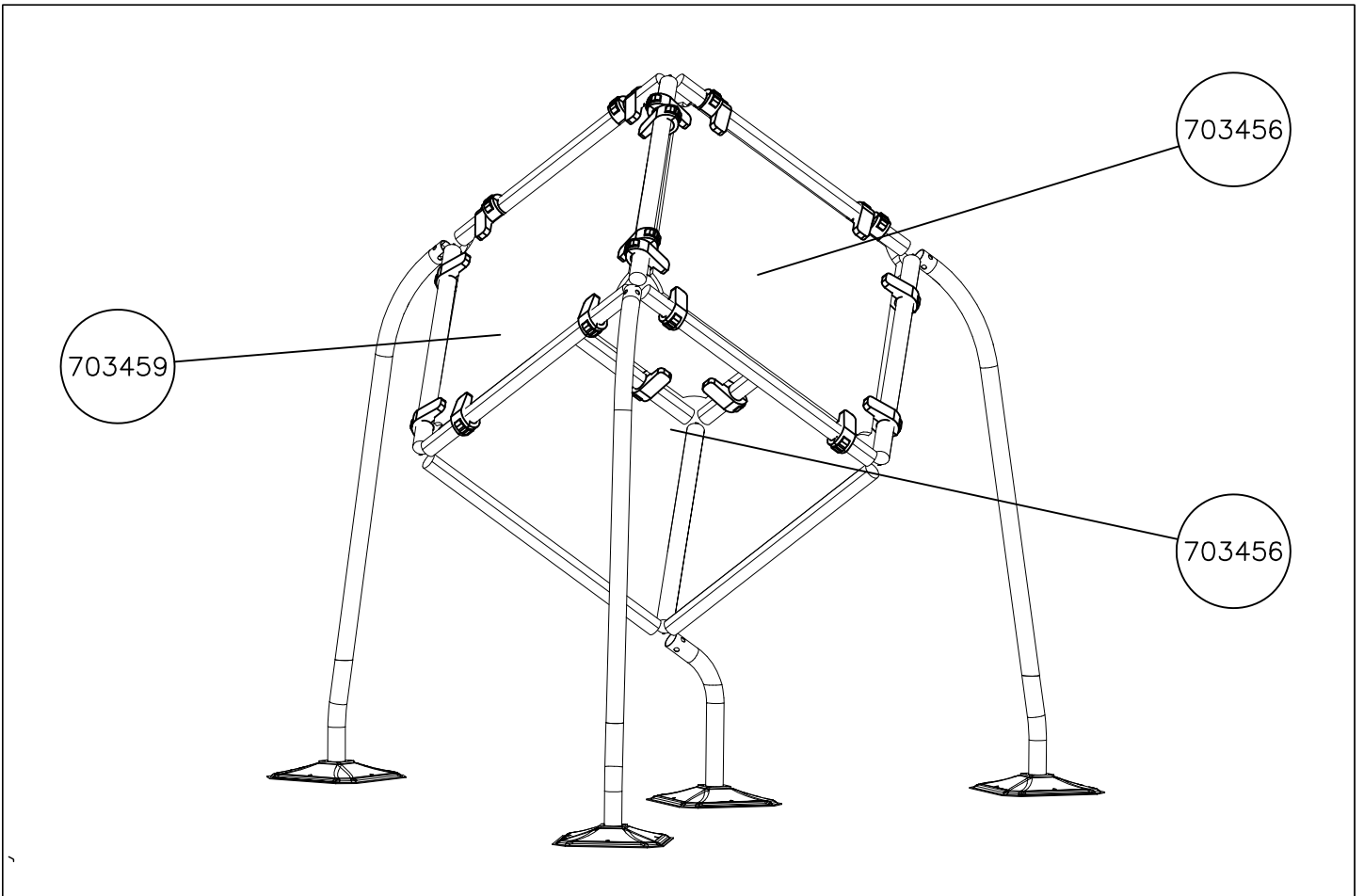
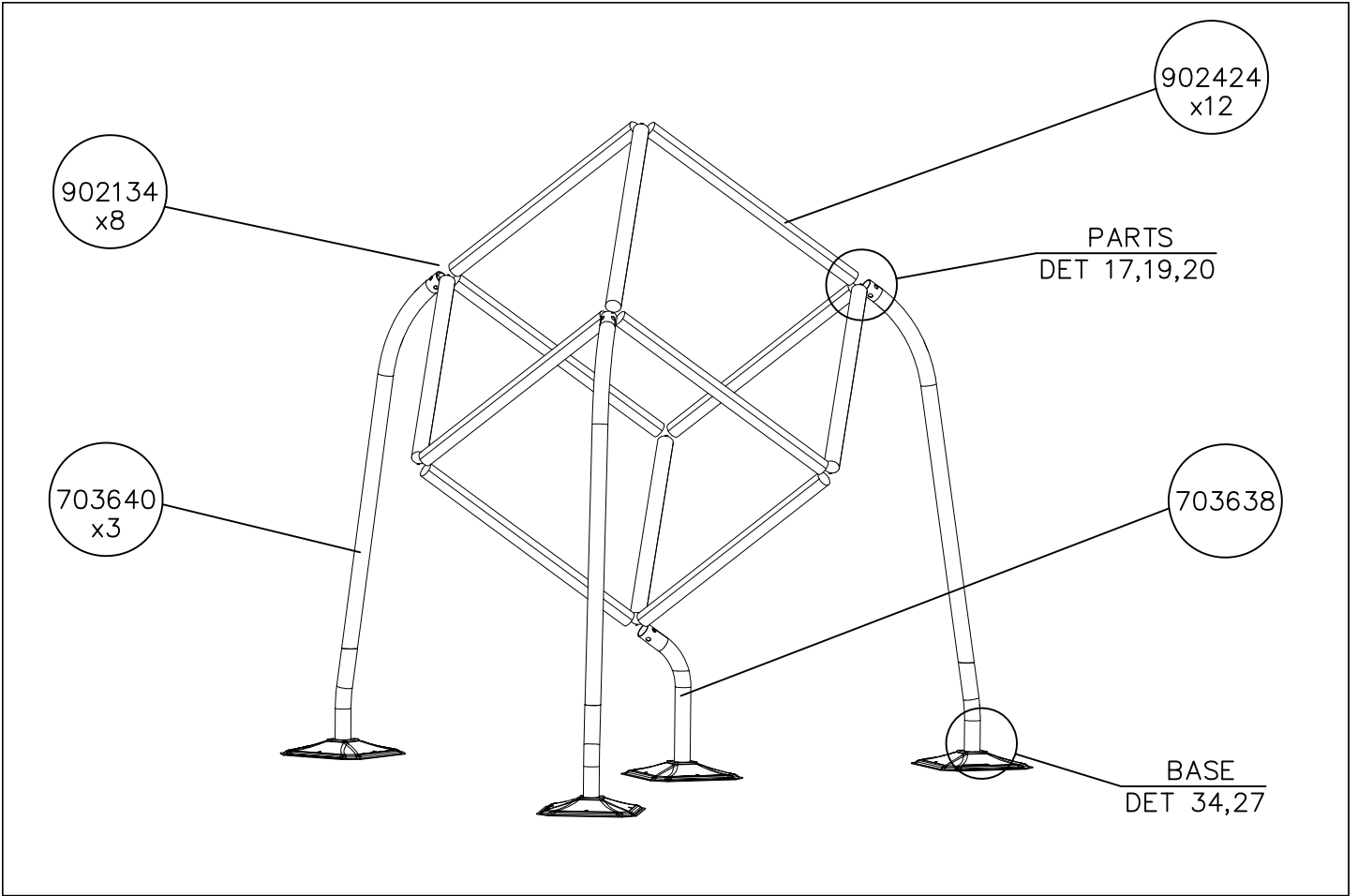
EN/AS Impact Area 17.8 m² (192 sq ft)
Falling Space Area 17.8 m² (192 sq ft)
Grid size = 500 mm (20" in)



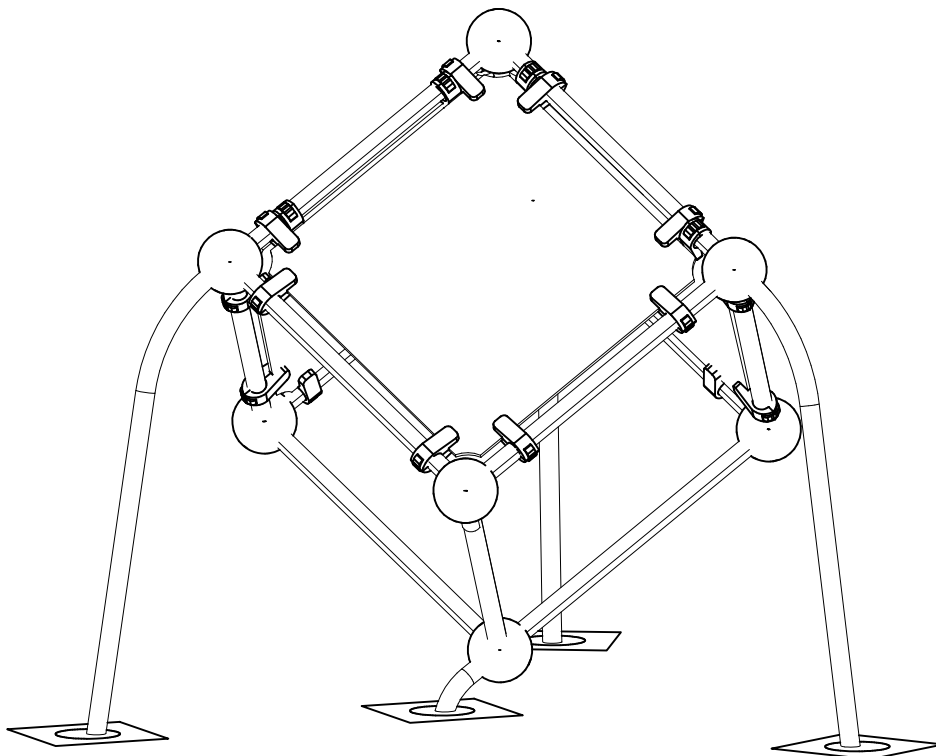
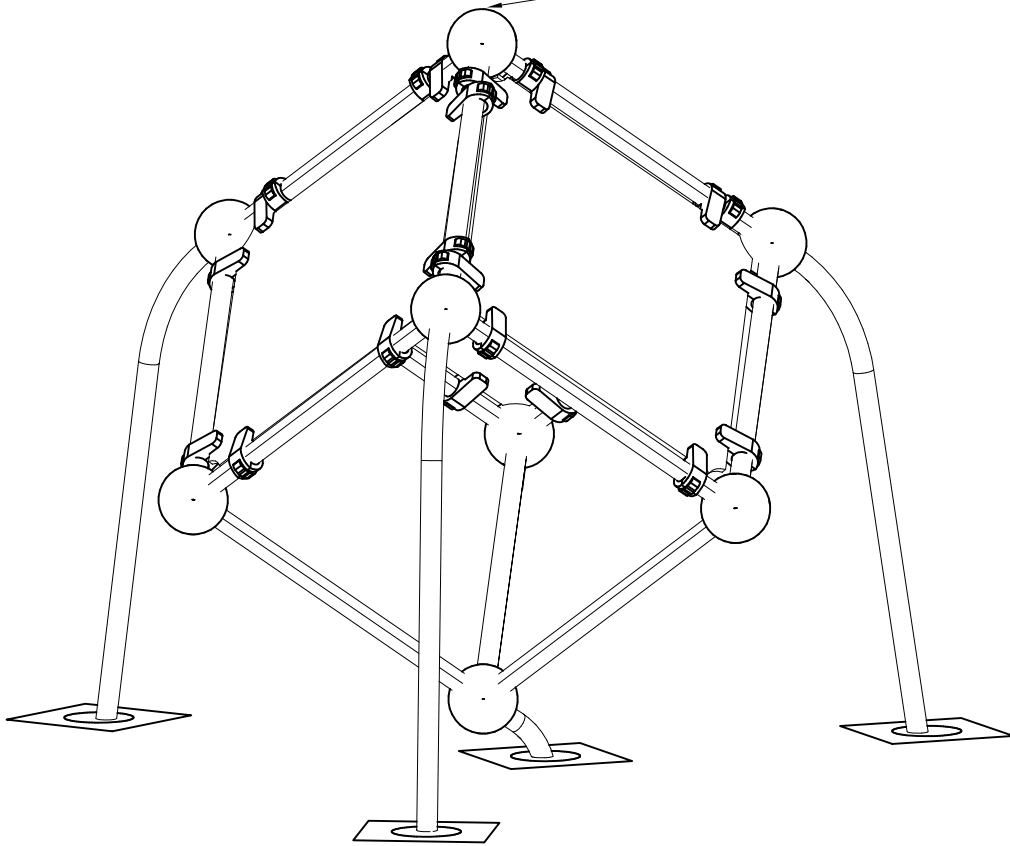
EN Impact Area 17.8 m² (192 sq ft)
Falling Space Area 17.8 m² (192 sq ft)
Max Falling Height 2190 mm (7'-2" in)

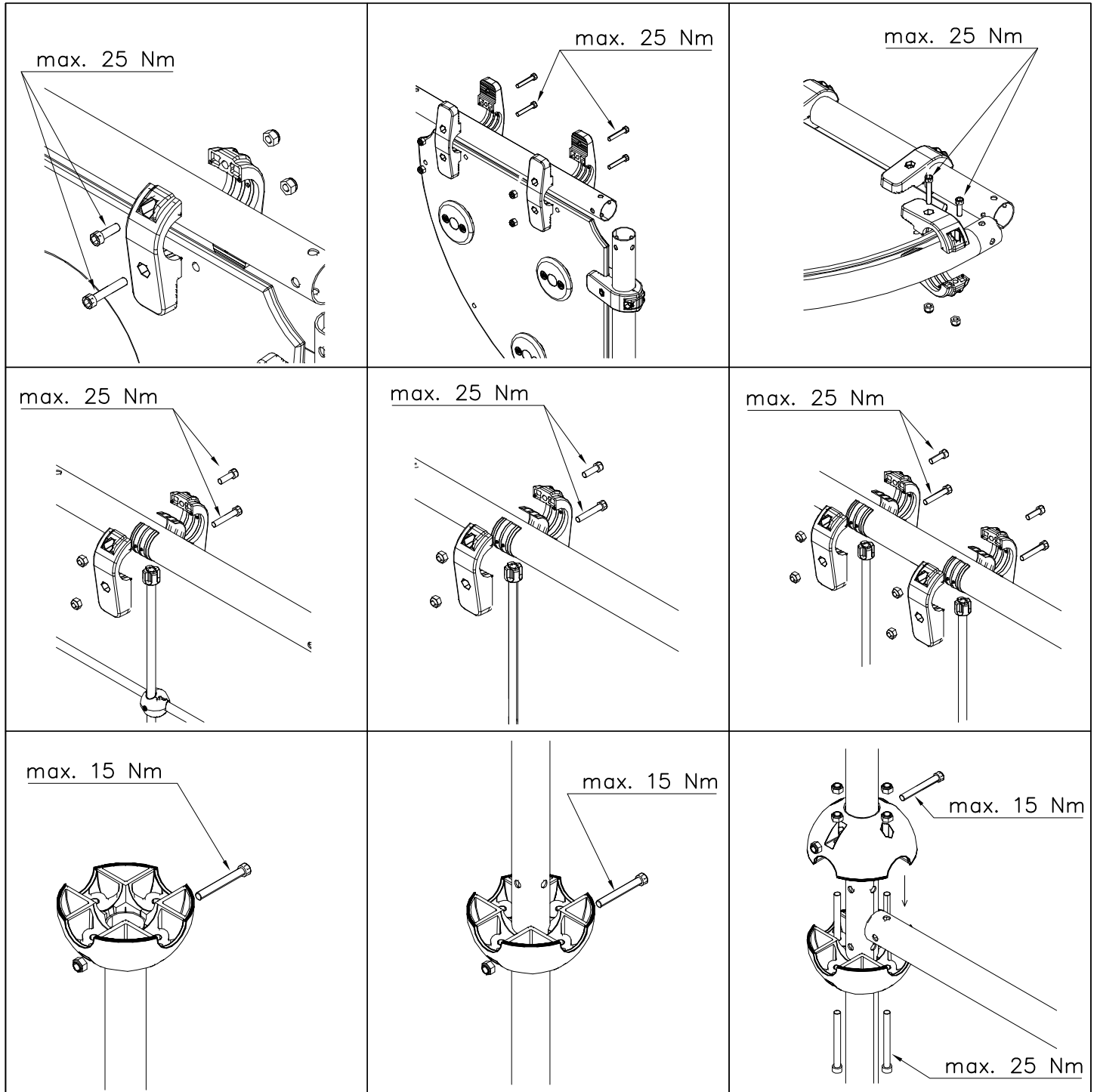






Max Falling Height 2190 mm

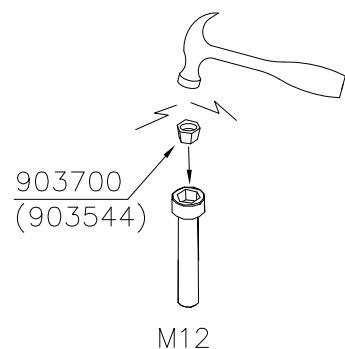
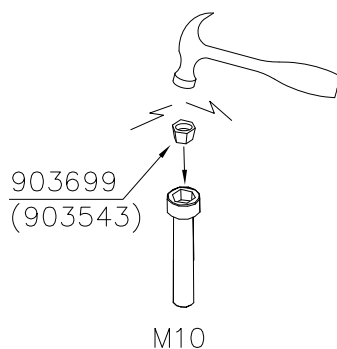


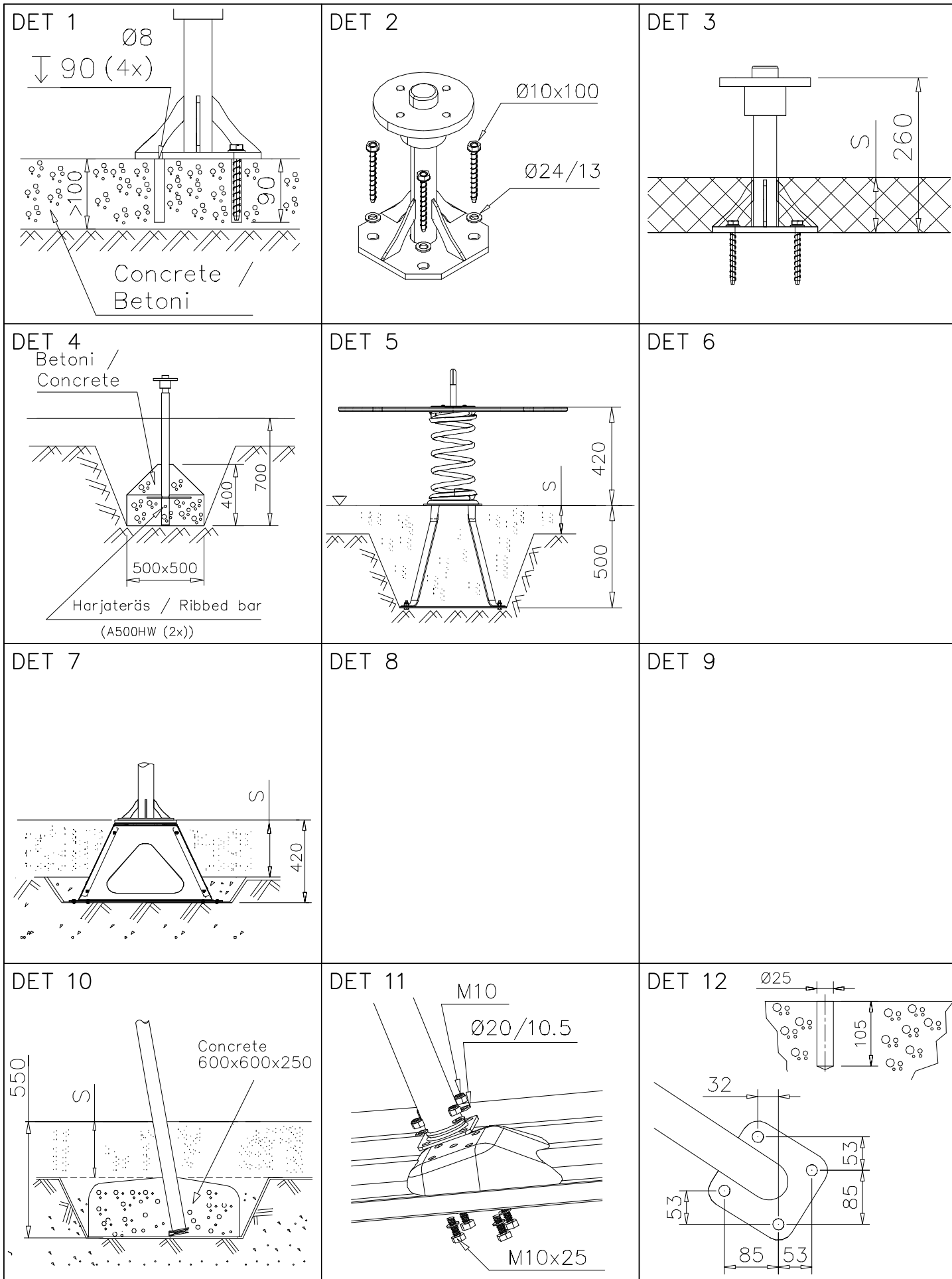


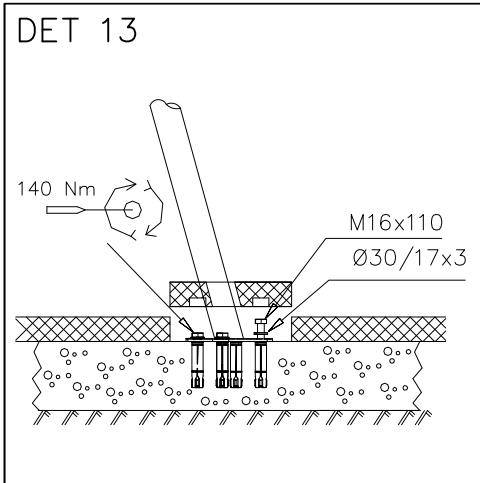
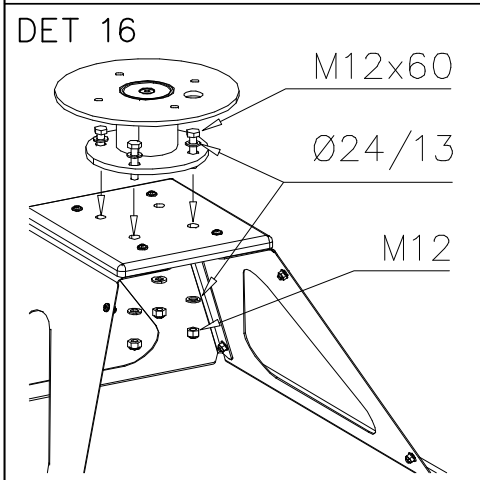
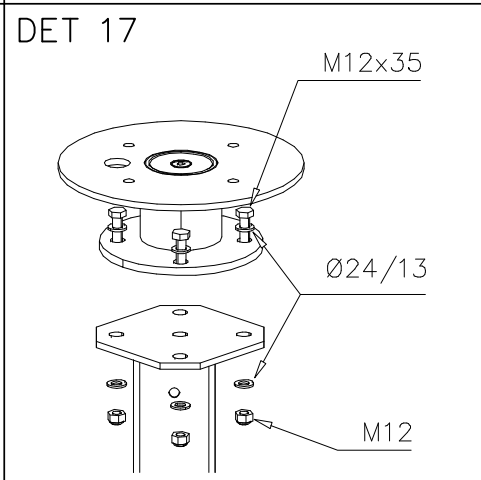
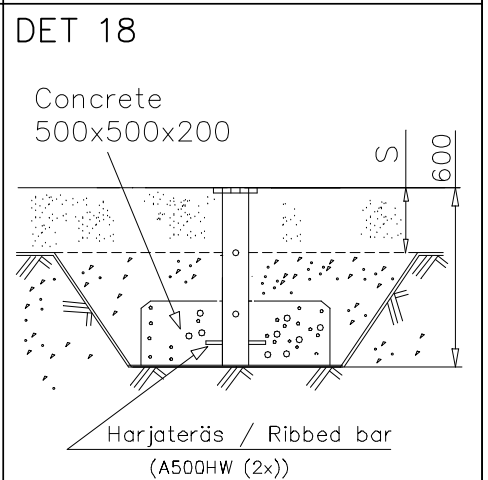
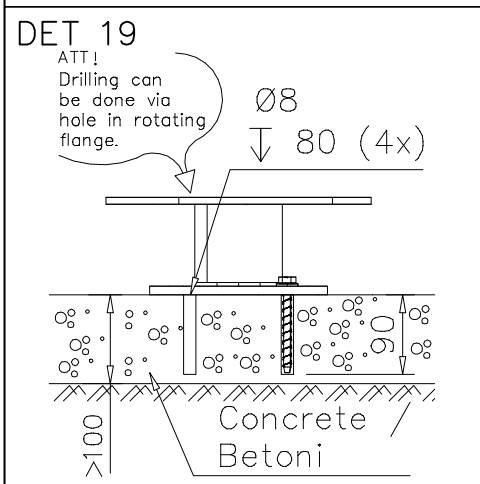
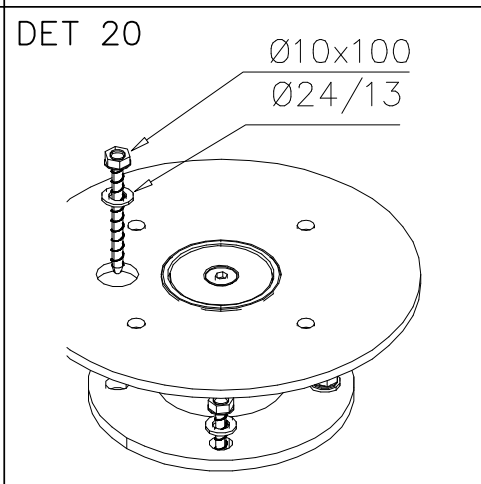
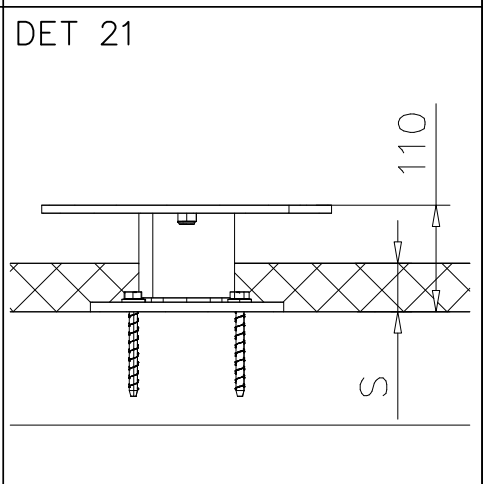
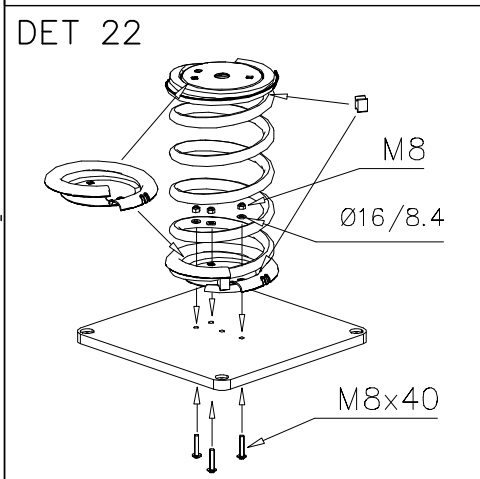
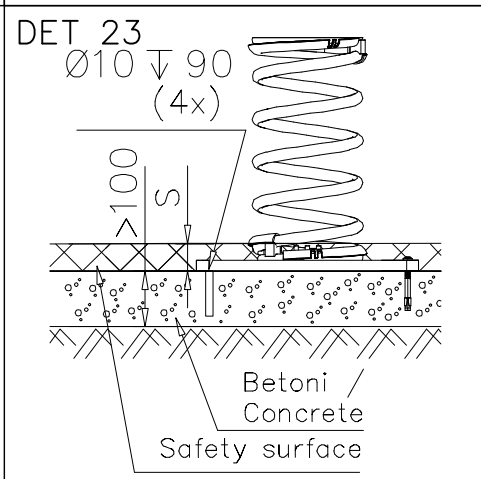
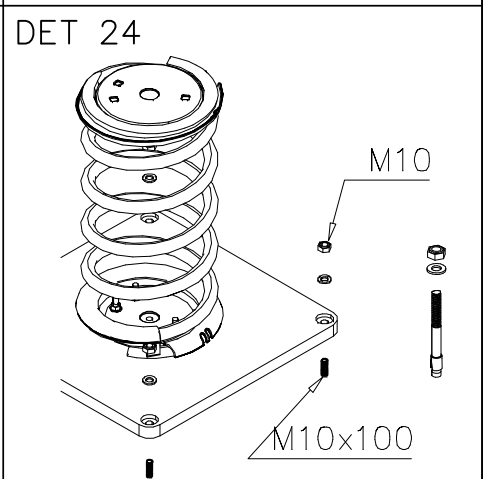
Security plugs are included only for selected products.

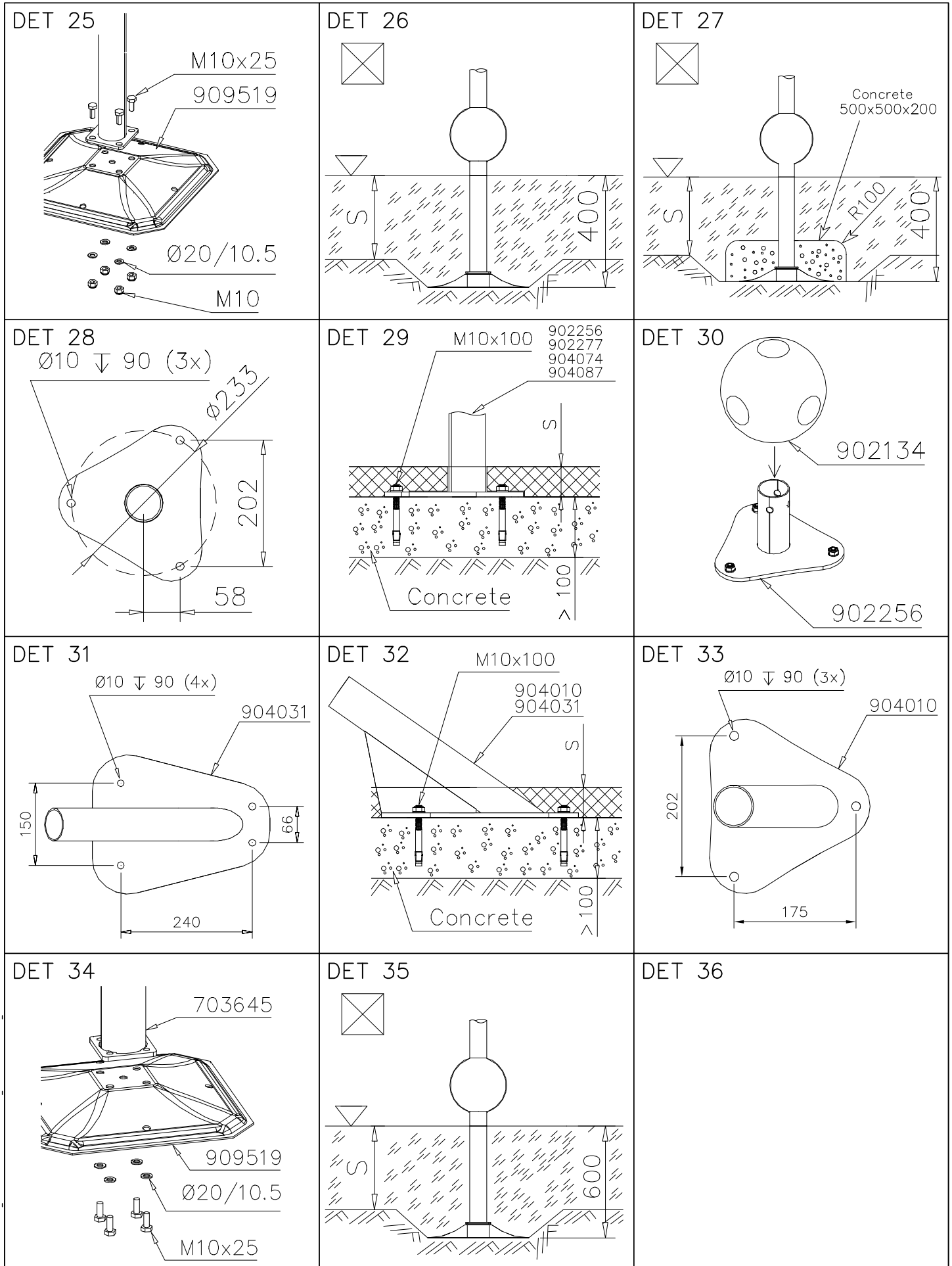
Hox!
Pultit on kiristettävä lopulliseen kireyteen, ennen turvapinnien asennusta.

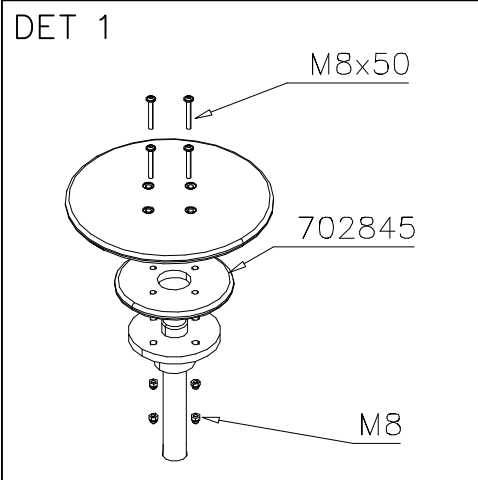
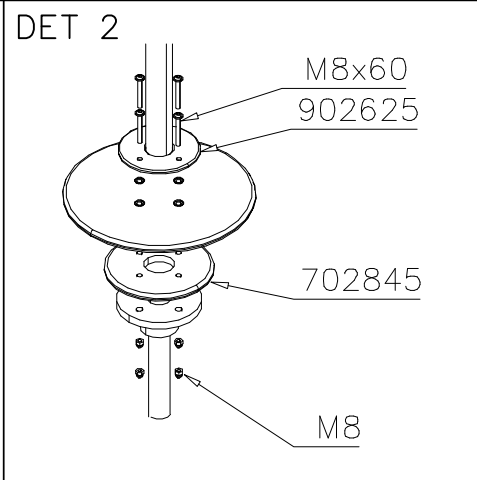
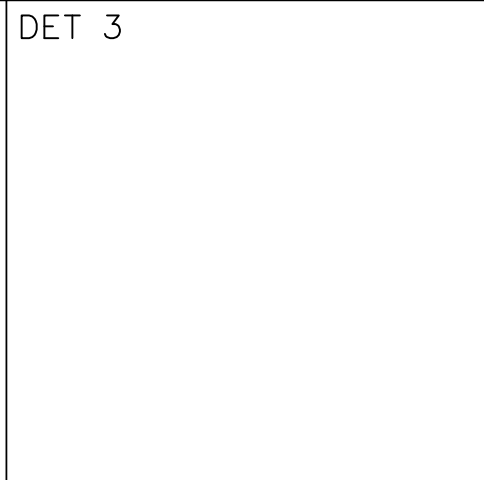
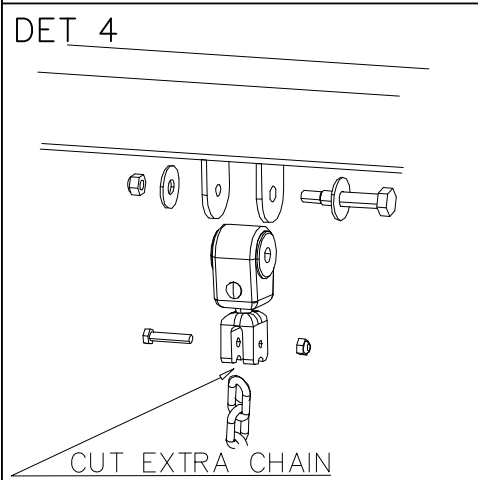
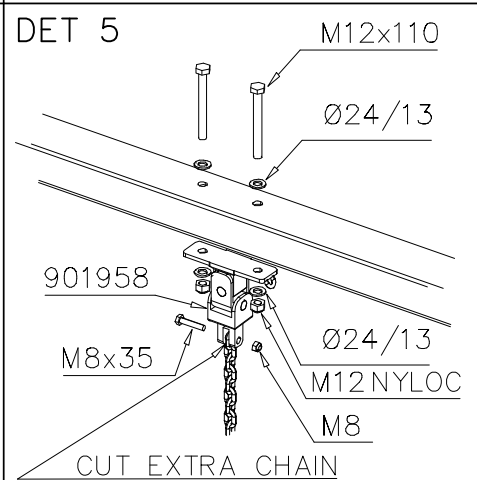
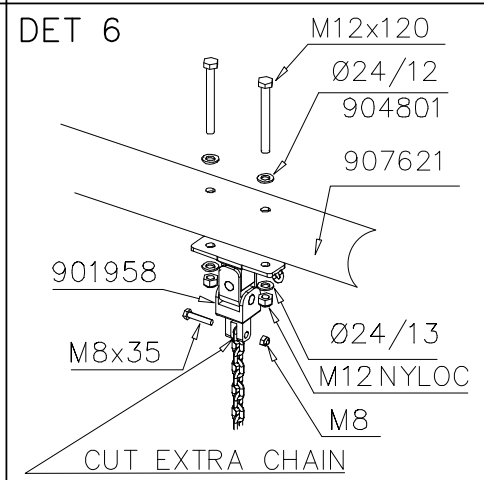
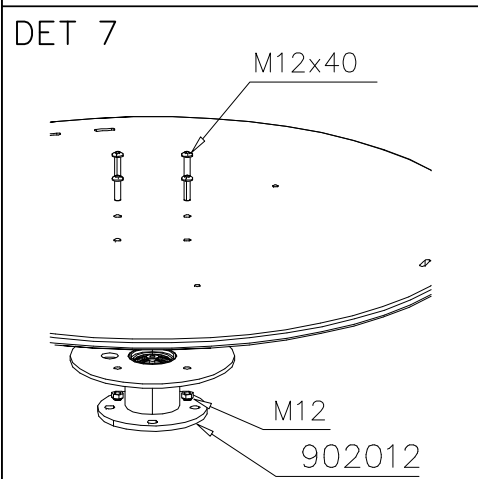
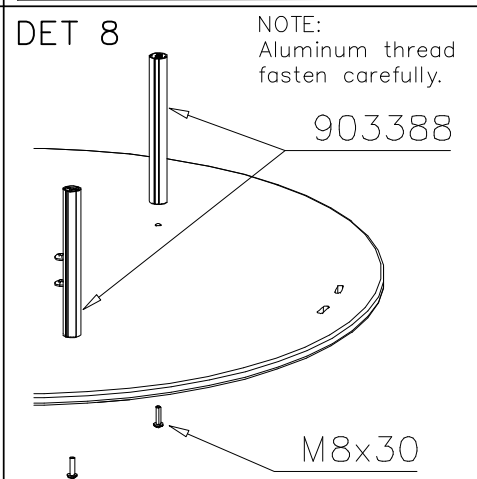
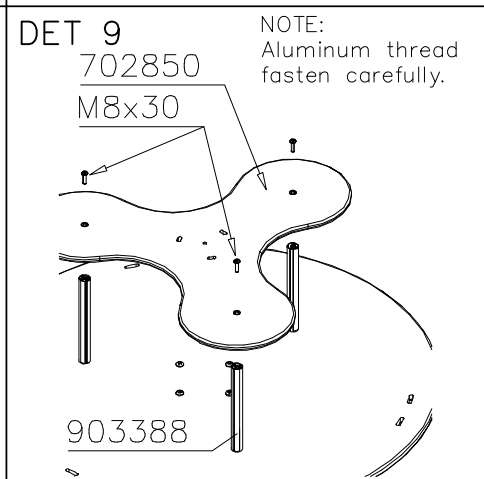
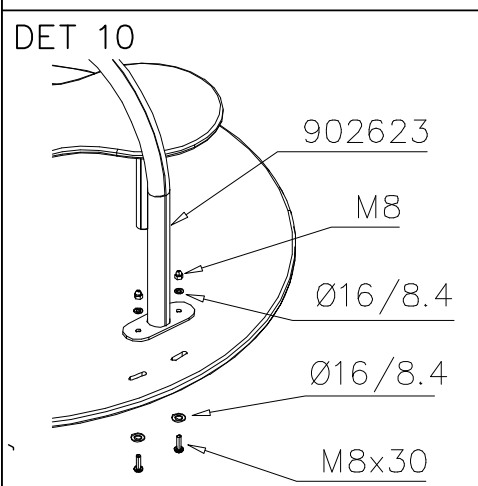
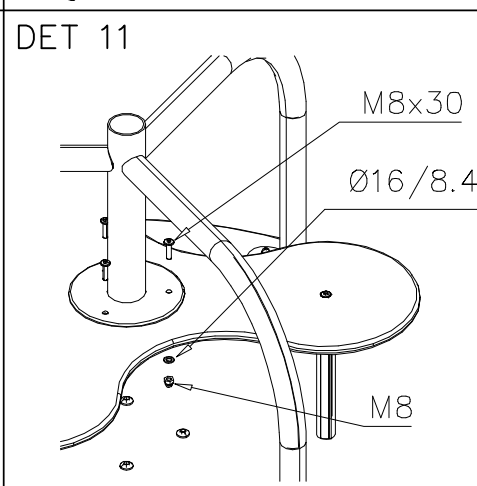
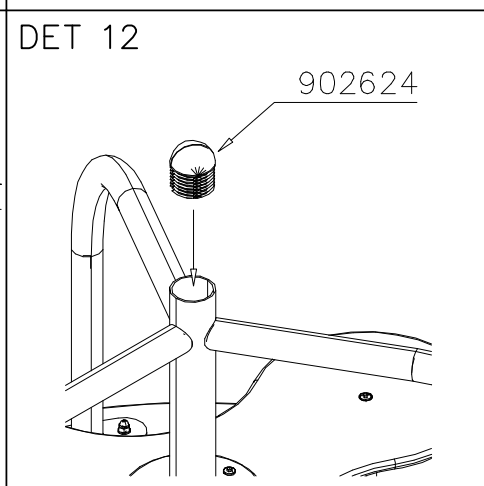
Note!
Tighten bolts properly, before installing security plugs.

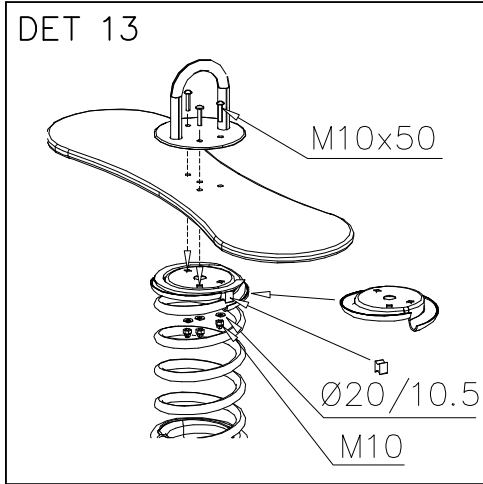
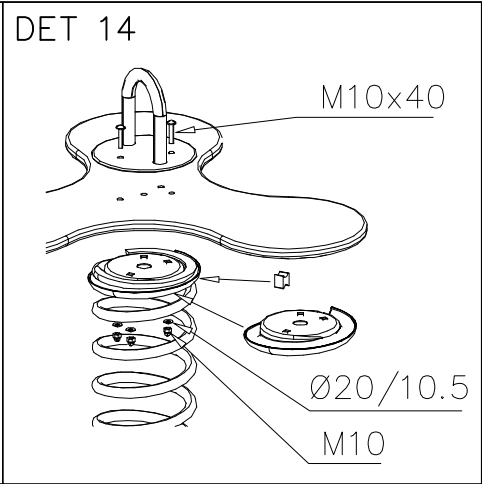
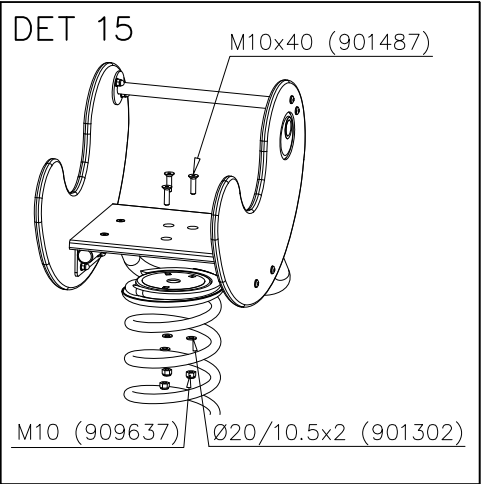
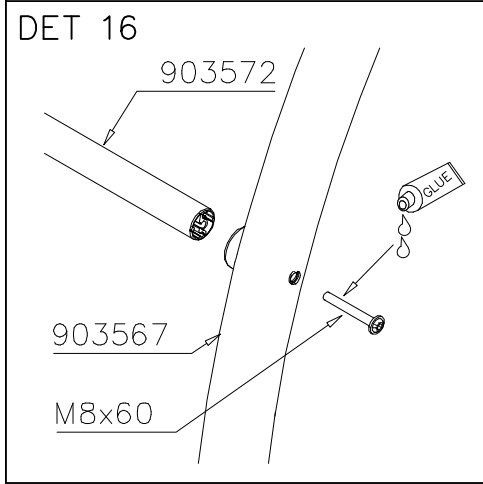
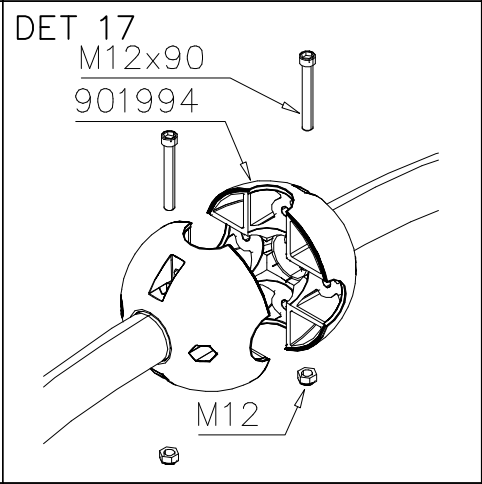
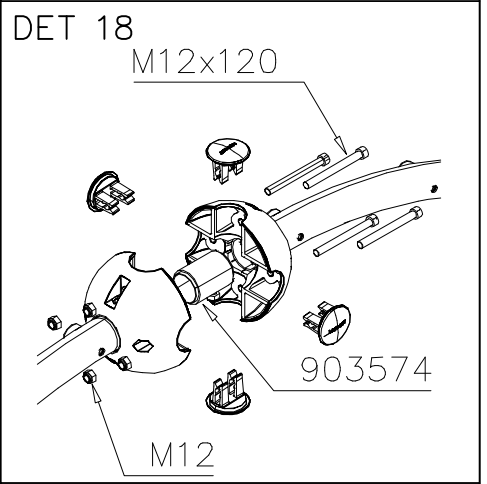
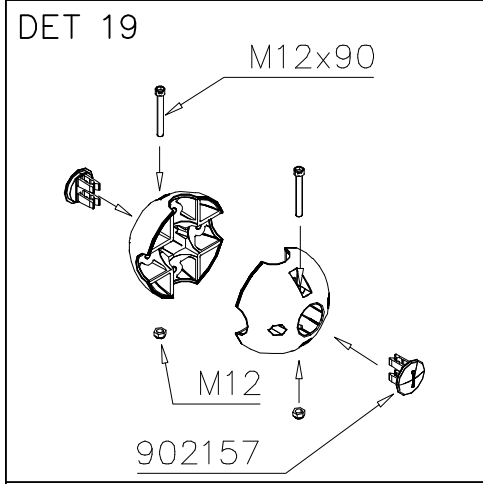
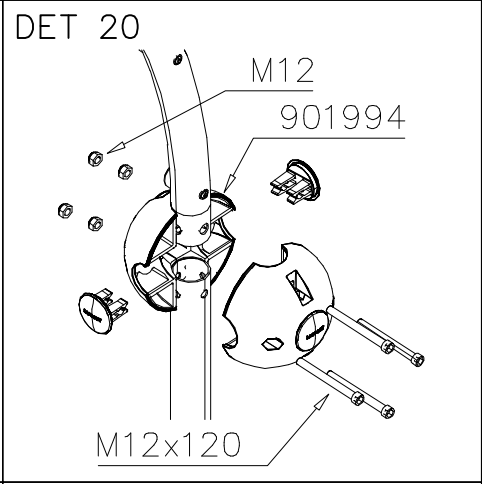
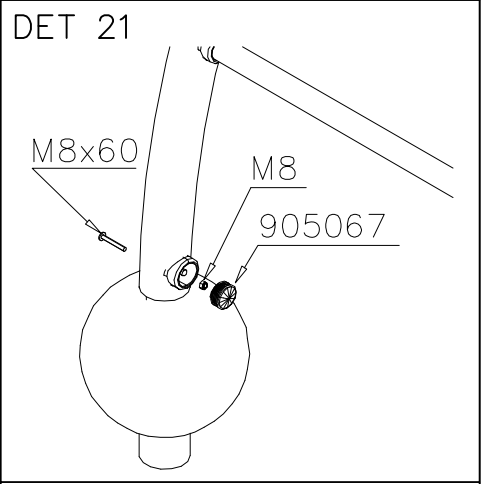
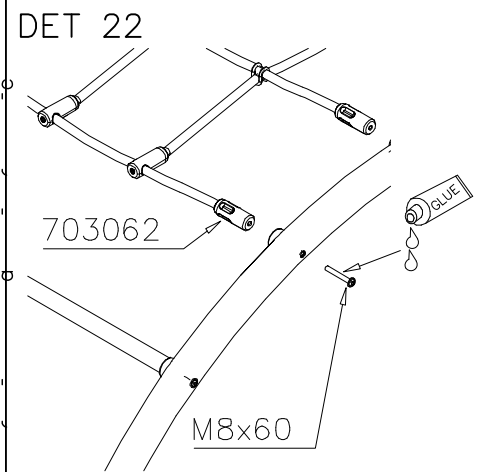

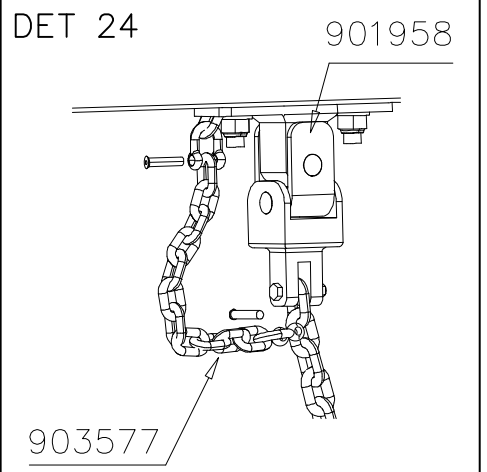




| | | |
|---|---|--|
| <p>DET 13</p>  <p>140 Nm</p> <p>M16x110</p> <p>Ø30/17x3</p> | <p>DET 14</p> | <p>DET 15</p> |
| <p>DET 16</p>  <p>M12x60</p> <p>Ø24/13</p> <p>M12</p> | <p>DET 17</p>  <p>M12x35</p> <p>Ø24/13</p> <p>M12</p> | <p>DET 18</p>  <p>Concrete 500x500x200</p> <p>600</p> <p>Harjateräs / Ribbed bar (A500HW (2x))</p> |
| <p>DET 19</p> <p>ATT! Drilling can be done via hole in rotating flange.</p>  <p>Ø8</p> <p>80 (4x)</p> <p>Concrete / Betoni</p> <p>>100</p> | <p>DET 20</p>  <p>Ø10x100</p> <p>Ø24/13</p> | <p>DET 21</p>  <p>110</p> <p>S</p> |
| <p>DET 22</p>  <p>M8</p> <p>Ø16/8.4</p> <p>M8x40</p> | <p>DET 23</p>  <p>Ø10</p> <p>90 (4x)</p> <p>>100</p> <p>S</p> <p>Betoni / Concrete</p> <p>Safety surface</p> | <p>DET 24</p>  <p>M10</p> <p>M10x100</p> |



| | | |
|---|---|--|
| <p>DET 1</p>  <p>M8x50 702845 M8</p> | <p>DET 2</p>  <p>M8x60 902625 702845 M8</p> | <p>DET 3</p>  |
| <p>DET 4</p>  <p>CUT EXTRA CHAIN</p> | <p>DET 5</p>  <p>M12x110 Ø24/13 901958 M8x35 Ø24/13 M12 NYLOC M8 CUT EXTRA CHAIN</p> | <p>DET 6</p>  <p>M12x120 Ø24/12 904801 907621 901958 M8x35 Ø24/13 M12 NYLOC M8 CUT EXTRA CHAIN</p> |
| <p>DET 7</p>  <p>M12x40 M12 902012</p> | <p>DET 8</p>  <p>NOTE: Aluminum thread fasten carefully. 903388 M8x30</p> | <p>DET 9</p>  <p>NOTE: Aluminum thread fasten carefully. 702850 M8x30 903388</p> |
| <p>DET 10</p>  <p>902623 M8 Ø16/8.4 Ø16/8.4 M8x30</p> | <p>DET 11</p>  <p>M8x30 Ø16/8.4 M8</p> | <p>DET 12</p>  <p>902624</p> |

| | | |
|--|--|---|
| <p>DET 13</p>  <p>M10x50</p> <p>Ø20/10.5</p> <p>M10</p> | <p>DET 14</p>  <p>M10x40</p> <p>Ø20/10.5</p> <p>M10</p> | <p>DET 15</p>  <p>M10x40 (901487)</p> <p>M10 (909637)</p> <p>Ø20/10.5x2 (901302)</p> |
| <p>DET 16</p>  <p>903572</p> <p>903567</p> <p>M8x60</p> <p>GLUE</p> | <p>DET 17</p>  <p>M12x90</p> <p>901994</p> <p>M12</p> | <p>DET 18</p>  <p>M12x120</p> <p>903574</p> <p>M12</p> |
| <p>DET 19</p>  <p>M12x90</p> <p>M12</p> <p>902157</p> | <p>DET 20</p>  <p>M12</p> <p>901994</p> <p>M12x120</p> | <p>DET 21</p>  <p>M8x60</p> <p>M8</p> <p>905067</p> |
| <p>DET 22</p>  <p>703062</p> <p>M8x60</p> <p>GLUE</p> | <p>DET 23</p>  | <p>DET 24</p>  <p>901958</p> <p>903577</p> |

DET 25-26

M12x120

904100

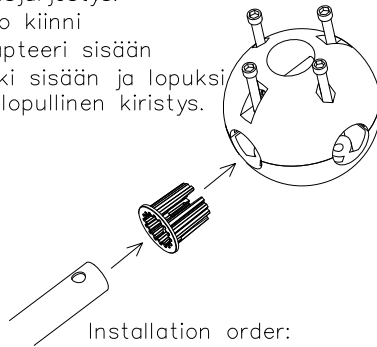
904015

904102

Kun putken pää osuu adapterin kynsiin, adapteri tiukentuu paikoilleen.

Asennusjärjestys:

- 1) Pallo kiinni
- 2) Adapteri sisään
- 3) putki sisään ja lopuksi pallon lopullinen kiristys.



Installation order:

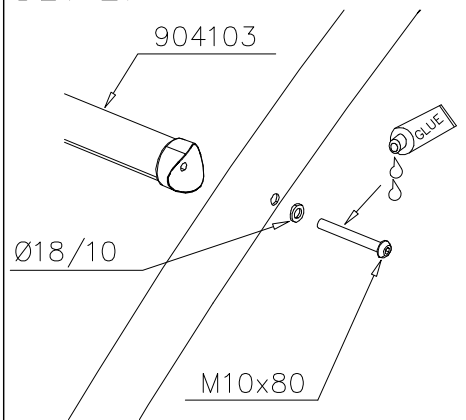
- 1) Close the ball
- 2) Insert adapter
- 3) Insert tube and tighten screws.

DET 27

904103

Ø18/10

M10x80



DET 28

906621

M12x35
(909347)

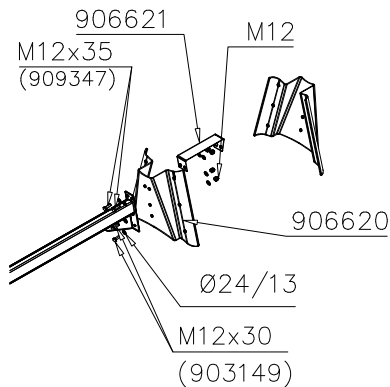
M12

906620

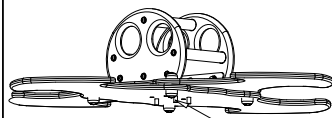
Ø24/13

M12x30
(903149)

M12 → 60 Nm



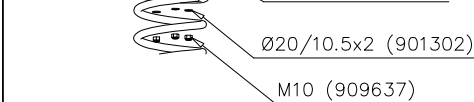
DET 29



M10x50 (905140)

Ø20/10.5x2 (901302)

M10 (909637)



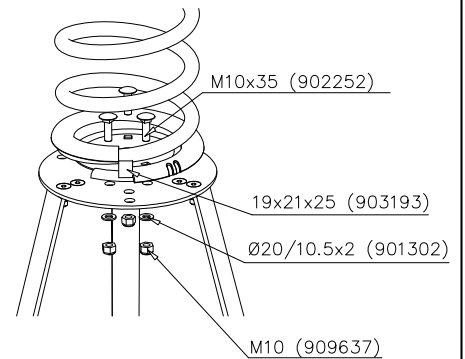
DET 30

M10x35 (902252)

19x21x25 (903193)

Ø20/10.5x2 (901302)

M10 (909637)



DET 31

M12 → 60 Nm

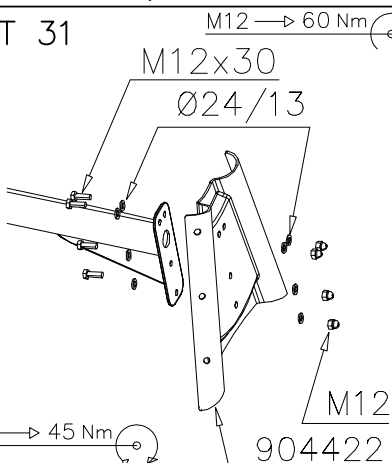
M12x30

Ø24/13

M10 → 45 Nm

M12

904422



DET 32

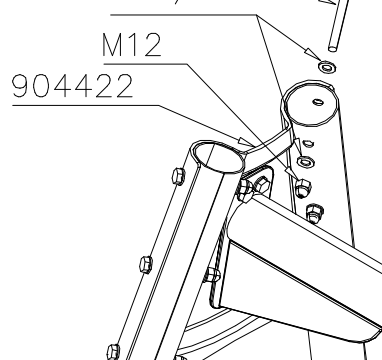
M12 → 60 Nm

M12x100

Ø24/13

M12

904422



DET 33

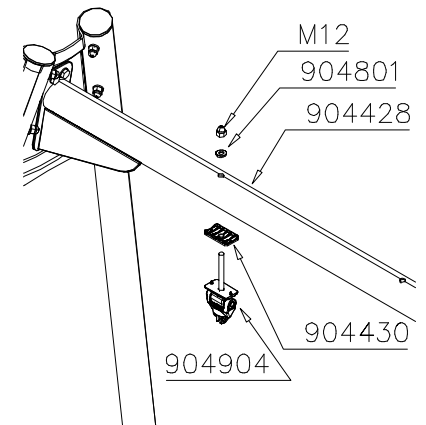
M12

904801

904428

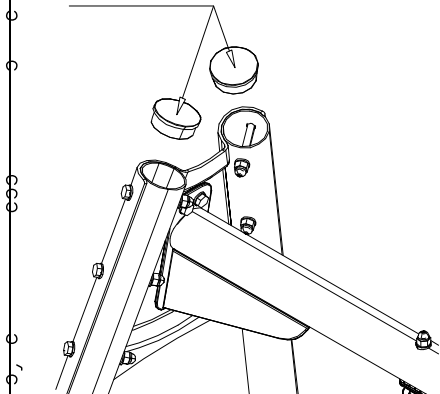
904904

904430

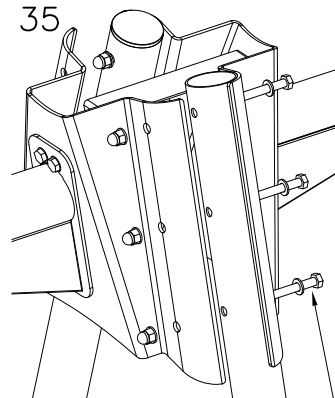


DET 34

904800

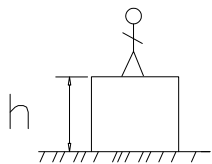



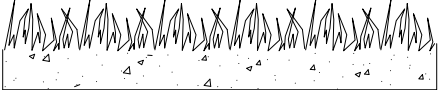
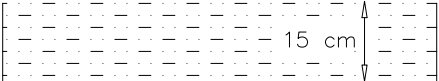
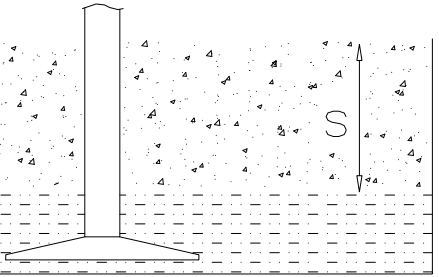
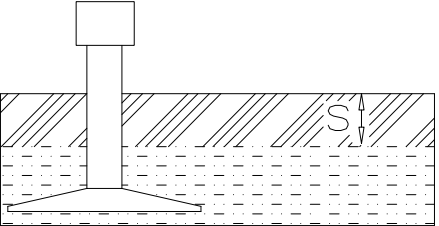


DET 35

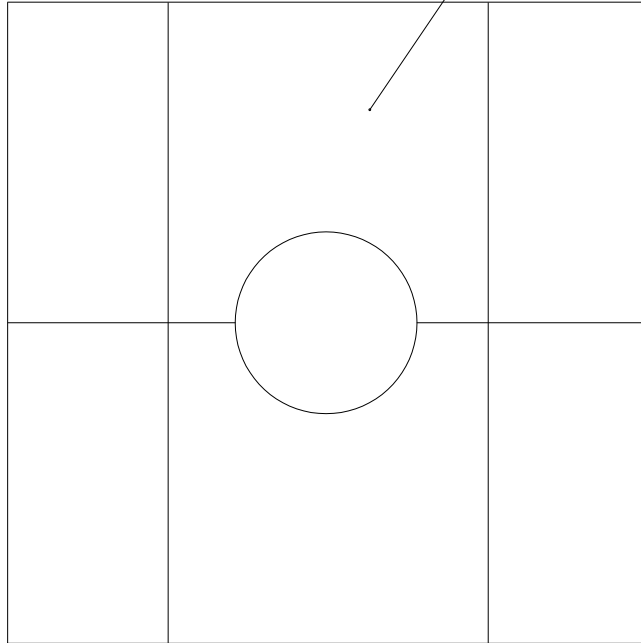


M12x110

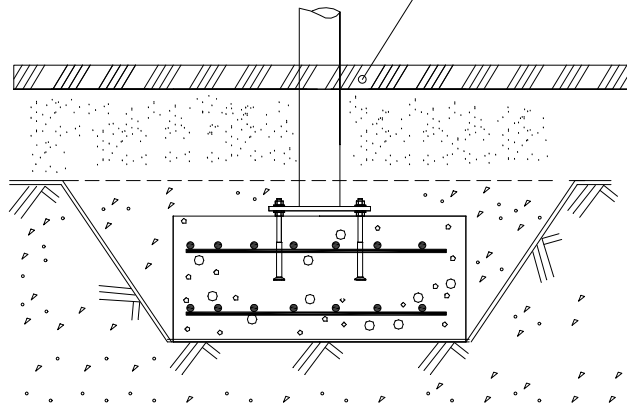
DET 36

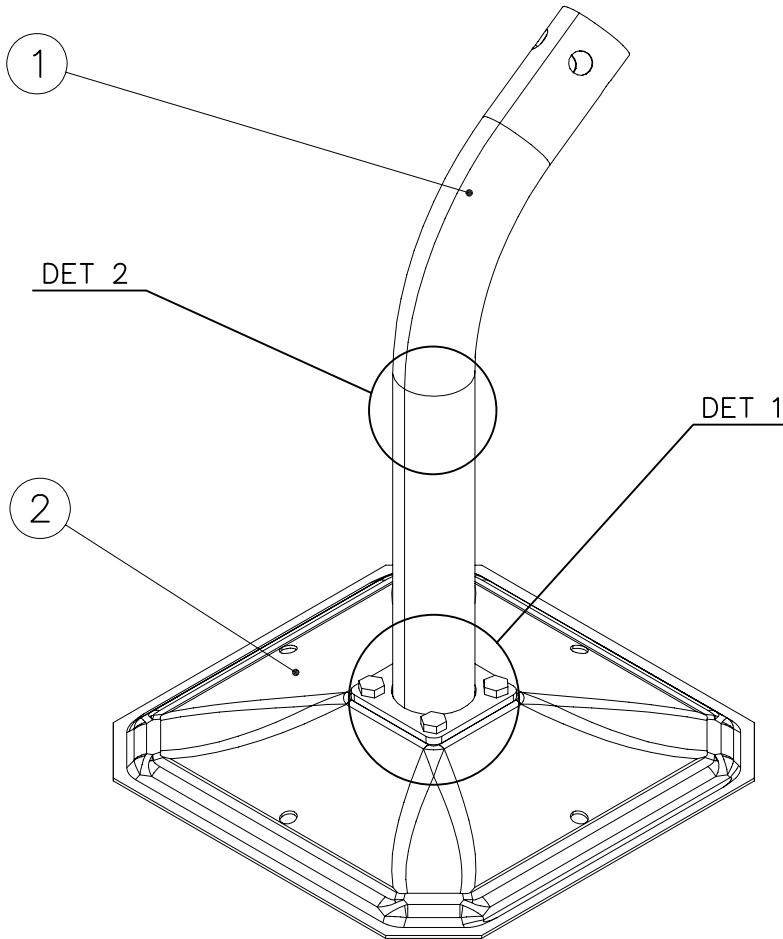
| | | | | | | | | | | | | |
|---|--|---|-----------------|-----------------|----------------|---------|----------------|---------|----------------|-------|----------------|---|
|  | | | | | | | | | | | | |
| <p>$h < 600$</p> <p>Without movement and therefore without Impact Area</p> | <p>Totally hard surfaces.</p> <p>Note. Lappset does <u>not</u> recommend totally hard surfaces at all.</p> | <p>E.g. concrete or asphalt</p>  | | | | | | | | | | |
| <p>$h < 600$</p> <p>With movement e.g. rocking</p> | <p>Materials with very limited impact attenuating properties.</p> | <p>E.g. wood</p>  | | | | | | | | | | |
| <p>$h < 1000$</p> | <p>Materials with significant impact attenuating properties.</p> | <p>fine gravel 0–8 mm</p>  <p>grass</p>  <p>unsorted sand</p>  | | | | | | | | | | |
| <p>$h < 3000$</p> | <p>Loose fill material</p> <p>E.g. sand/gravel 0,25...8 mm D60/D10<3,0 Woodchips 5...30 mm bark 20...80 mm</p> |  <table data-bbox="1018 1688 1326 1783"> <tr> <td>\underline{S}</td> <td>\underline{h}</td> </tr> <tr> <td>30 cm</td> <td>< 2,0 m</td> </tr> <tr> <td>40 cm</td> <td>< 3,0 m</td> </tr> </table> | \underline{S} | \underline{h} | 30 cm | < 2,0 m | 40 cm | < 3,0 m | | | | |
| \underline{S} | \underline{h} | | | | | | | | | | | |
| 30 cm | < 2,0 m | | | | | | | | | | | |
| 40 cm | < 3,0 m | | | | | | | | | | | |
| | <p>Syntethic granulates</p> <table data-bbox="405 1895 751 2056"> <tr> <td>\underline{S}</td> <td>\underline{h}</td> </tr> <tr> <td>40 mm</td> <td>~> 1,2...1,3 m</td> </tr> <tr> <td>50 mm</td> <td>~> 1,5...1,7 m</td> </tr> <tr> <td>60 mm</td> <td>~> 1,8...2,0 m</td> </tr> <tr> <td>70 mm</td> <td>~> 2,1...2,5 m</td> </tr> </table> <p>Note. For accurate values, see manufacturer's instructions.</p> | \underline{S} | \underline{h} | 40 mm | ~> 1,2...1,3 m | 50 mm | ~> 1,5...1,7 m | 60 mm | ~> 1,8...2,0 m | 70 mm | ~> 2,1...2,5 m |  |
| \underline{S} | \underline{h} | | | | | | | | | | | |
| 40 mm | ~> 1,2...1,3 m | | | | | | | | | | | |
| 50 mm | ~> 1,5...1,7 m | | | | | | | | | | | |
| 60 mm | ~> 1,8...2,0 m | | | | | | | | | | | |
| 70 mm | ~> 2,1...2,5 m | | | | | | | | | | | |

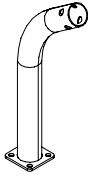
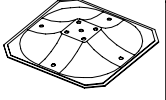


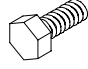
REMOVE SAFETY SURFACE/SAND/GRAVEL
TO CHECK FOUNDATION

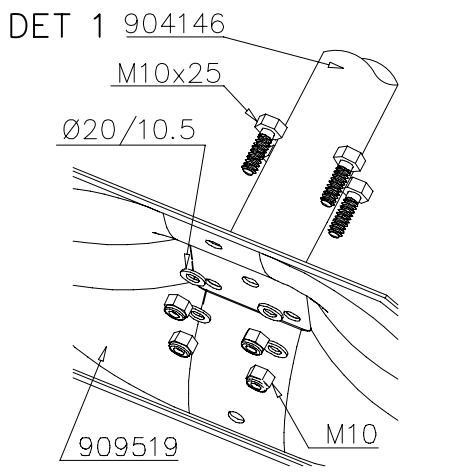


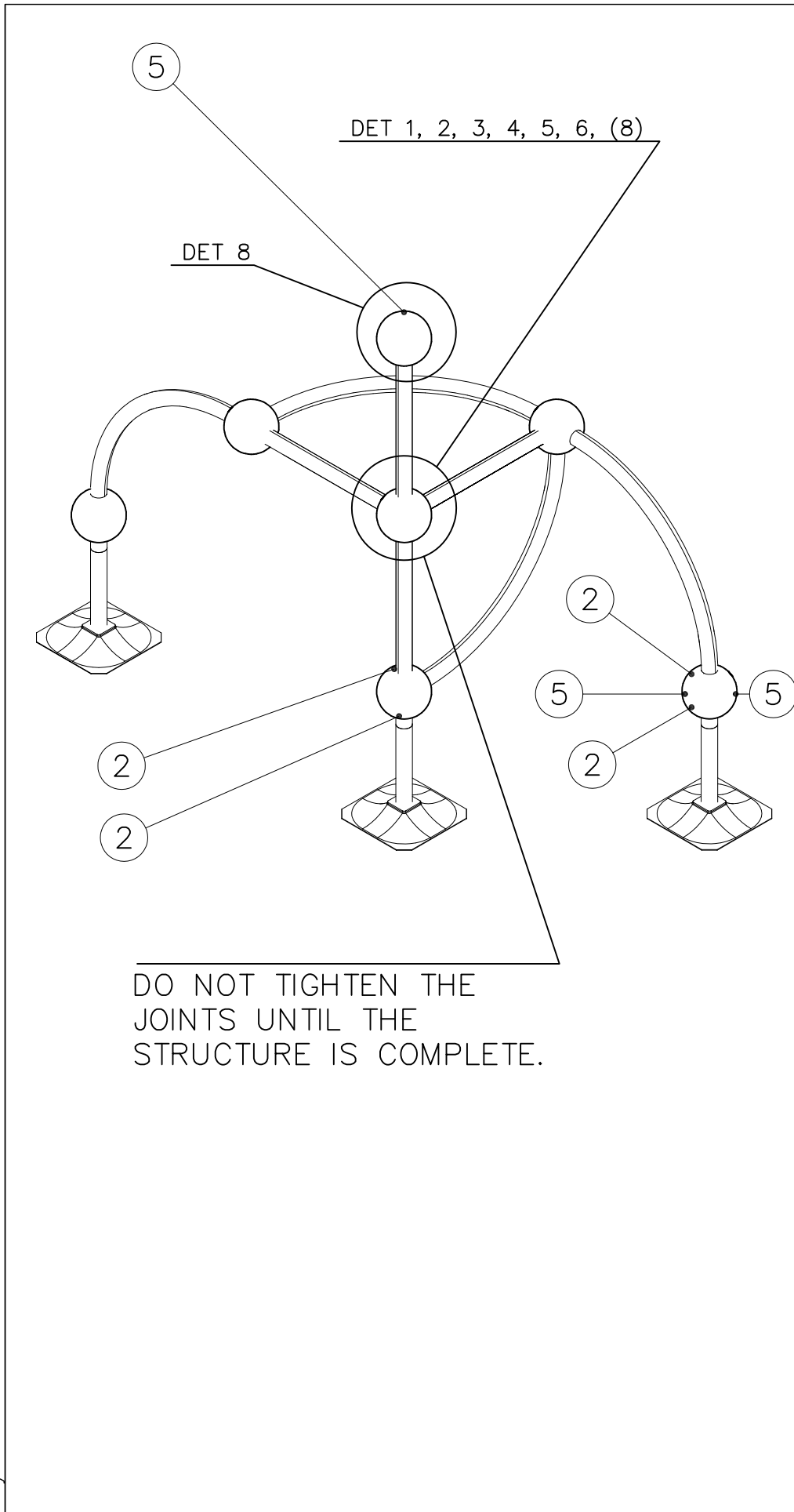
REMOVE SAFETY SURFACE/SAND/GRAVEL
TO CHECK FOUNDATION

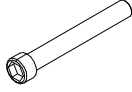

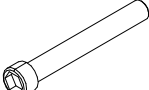



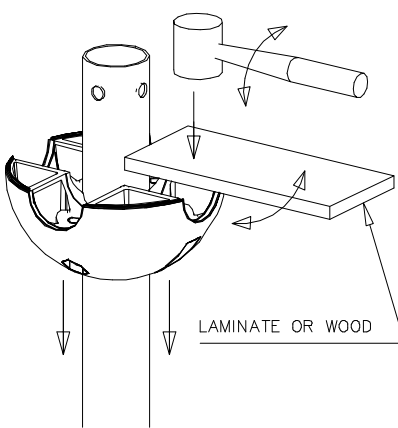
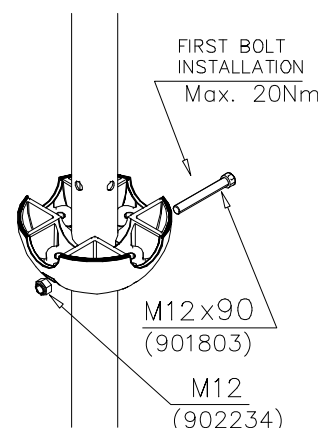
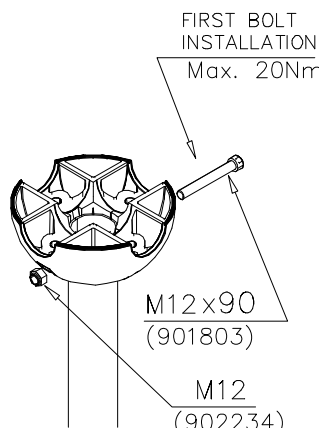
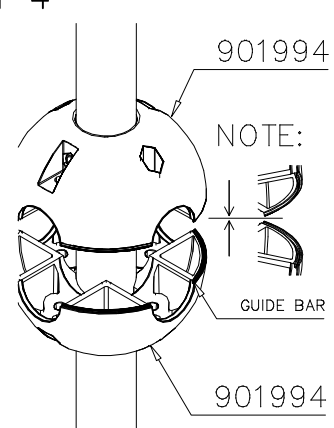
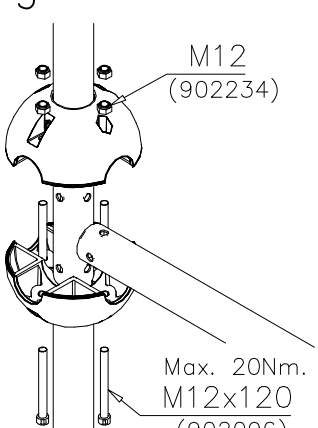
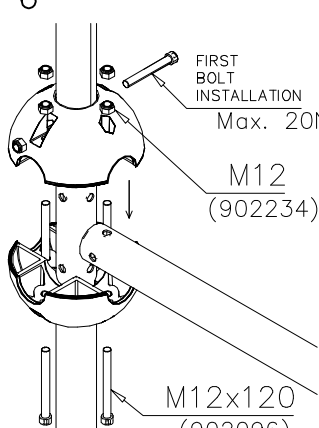
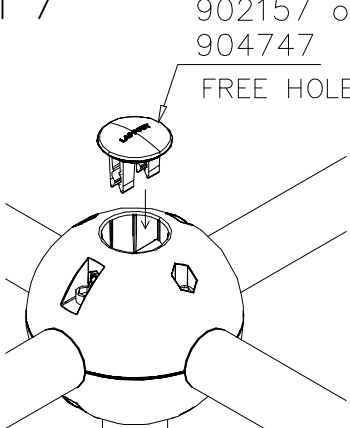



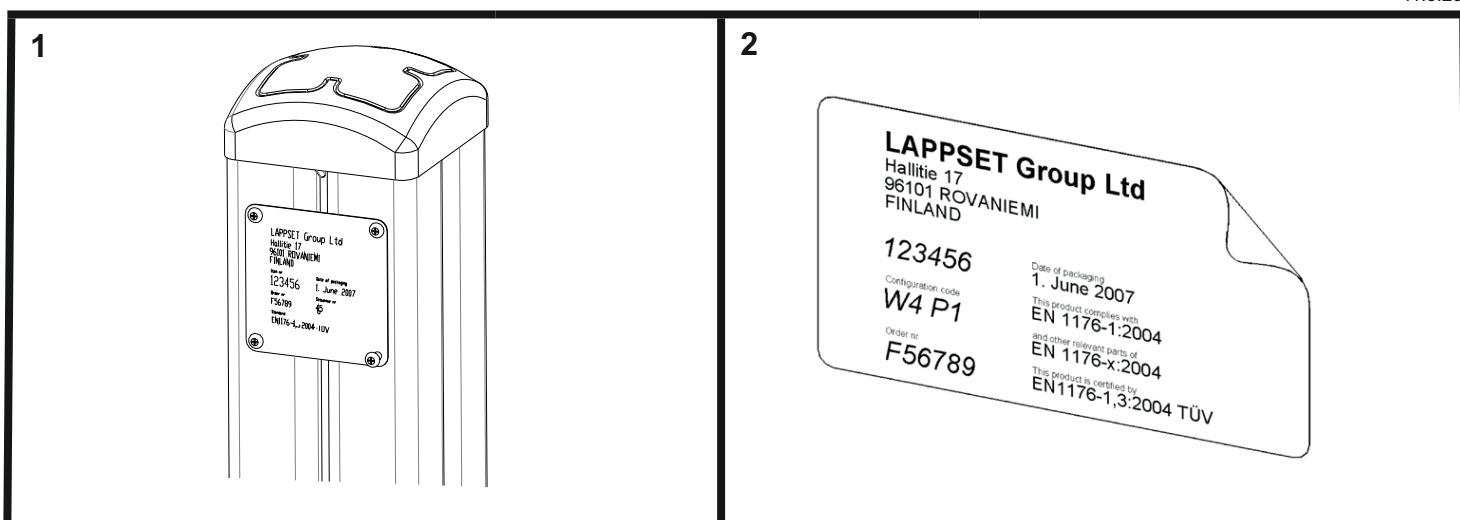
| | | | |
|---|----------|---|----------|
| ① 904146 | PCS 1 | ② 909519 | PCS 1 |
|  | |  | |
| ③ 909637 | PCS 4 | ④ 909638 | PCS 4 |
|  | |  | |
| M10 | | Ø20/10.5 | |
| ⑤ 909639 | PCS 4 | | PCS |
|  | | | |
| M10x25 | | | |
| | PCS | | PCS |
| | | | |
| | PCS | | PCS |
| | | | |
| | PCS | | PCS |
| | | | |





| | | | |
|---|-----|---|-----|
| ① 901803 | PCS | ② 901994 | PCS |
|  | 2 |  | 2 |
| M12x90 | | Ø190 | |
| ③ 902096 | PCS | ④ 902234 | PCS |
|  | 4 |  | 6 |
| M12x120 | | M12 | |
| | PCS | | PCS |
| | | | |
| | PCS | | PCS |
| | | | |
| | PCS | | PCS |
| | | | |
| | PCS | | PCS |
| | | | |
| | PCS | | PCS |
| | | | |
| | PCS | | PCS |
| | | | |

| | | |
|---|---|---|
| <p>DET 1</p>  <p>LAMINATE OR WOOD</p> | <p>DET 2</p>  <p>FIRST BOLT INSTALLATION Max. 20Nm.</p> <p>M12x90 (901803)</p> <p>M12 (902234)</p> | <p>DET 3</p>  <p>FIRST BOLT INSTALLATION Max. 20Nm.</p> <p>M12x90 (901803)</p> <p>M12 (902234)</p> |
| <p>DET 4</p>  <p>901994</p> <p>NOTE:</p> <p>GUIDE BAR</p> <p>901994</p> | <p>DET 5</p>  <p>M12 (902234)</p> <p>Max. 20Nm.</p> <p>M12x120 (902096)</p> | <p>DET 6</p>  <p>FIRST BOLT INSTALLATION Max. 20Nm.</p> <p>M12 (902234)</p> <p>M12x120 (902096)</p> |
| <p>REMEMBER FINAL TIGHTENING</p> | <p>DET 7</p>  <p>902157 or 904747</p> <p>FREE HOLE</p> | <p>DET 8</p>  <p>902157 or 904747</p> <p>FREE HOLE</p> |
| | | |



Tuotekyltti tulee tuotteen mukana yhdellä seuraavista tavoista:

1) Metallinen tuotekyltti ja kiinnitysruuvit

- Kiinnitä tuotekyltti ruuveilla tolppaan noin 2 metrin korkeuteen kuvan 2 mukaisesti.

2) Tuotekylttitarra

- Puhdista maalattu metalli- tai vaneripinta pölystä ja kosteudesta. Liimaa tarra kuvan 3 mukaisesti.
- Huom. Älä kiinnitä tarraa karheapintaiseen laminaattiin tai maalattuun puuhun.

Vår produktmärkning levereras på ett av följande sätt:

1) Produktskylt i metall

- Fäst skylten med de medföljande skruvarna

2) Självhäftande produktetikett

- Rengör den pulverlackerade metallytan eller laminerat ytans åttan blir frifrån smuts och fukt. Fäst etiketten enligt fig. 3.
- Obs! Fäst ej etiketten på detaljer med skrovlig yta eller på målat trä.

Product label is delivered by one of following ways:

1) Metal product label and screws

- Fasten the label with screws.

2) Label sticker

- Clean the painted metal or plywood surface from dirt and moisture. Fasten the sticker as shown in the figure 3.
- Note. Do not attach the sticker to rough surfaced laminate or painted wood.

La plaque d'informations produit est livrée sous l'une de ces 3 formes :

1) Plaque métallique et vis

- Fixez la plaque à l'aide des vis.

2) Etiquette autocollante

- Avant de coller l'étiquette, nettoyez le composant métallique peint ou la plaque de contreplaqué, de toute saleté. La surface doit être sèche (voir image 3).
- Attention, ne pas coller l'étiquette sur une surface lamellé-collée irrégulière ou sur du bois peint.

Die Auslieferung des Produktaufklebers erfolgt auf eine dieser Arten:

1) Produkt-Schild aus Metall incl. Schrauben

- Die Befestigung des Schildes erfolgt mittels der Schrauben.

2) Aufkleber

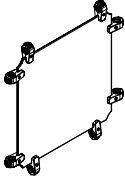
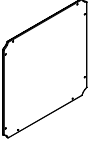
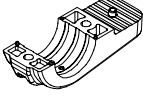
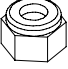
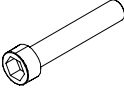
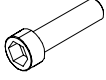
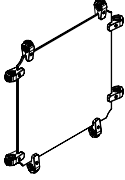
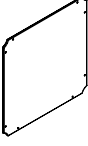
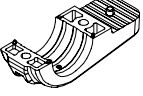
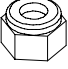
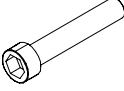
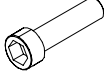
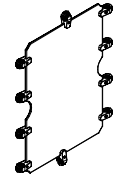

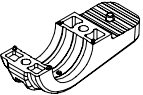
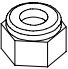
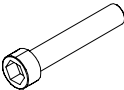
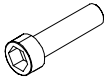
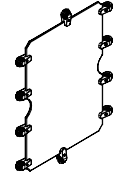

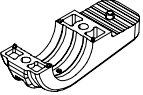
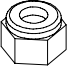
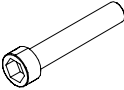
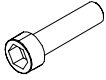
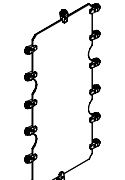
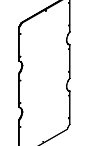
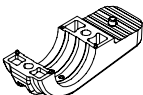
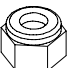
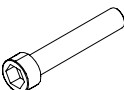
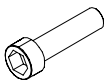
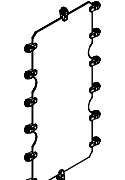
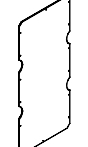
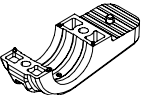

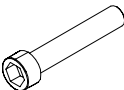
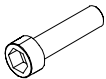
- Entfernen Sie zunächst Schmutz und Feuchtigkeit vom lackierten Metall bzw. von der Holzoberfläche und bringen Sie den Aufkleber wie im Bild oben rechts beschrieben auf den gesäuberten Untergrund auf.
- Beachten Sie: Bringen Sie den Aufkleber nicht auf raues laminiertes oder lackiertes Holz an.

WINAM GROUP WALL

PARKOUR

DATE: 17.11.2010



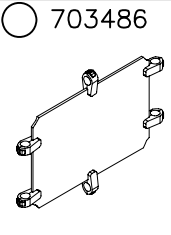
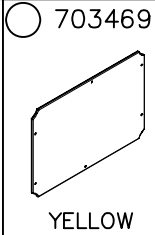
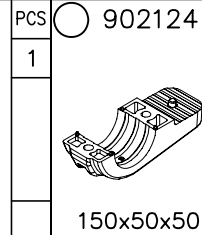
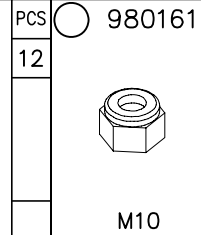
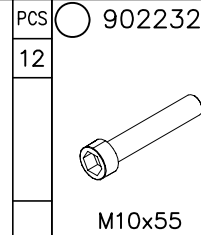
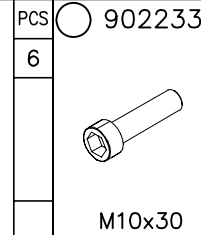
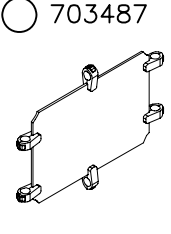
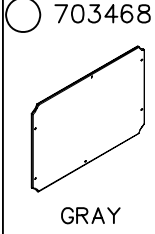
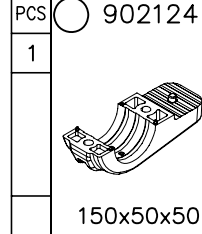
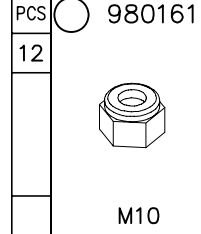
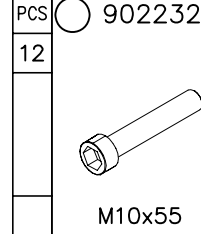
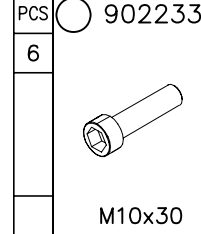
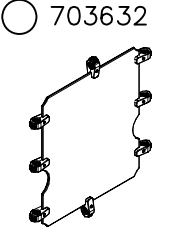
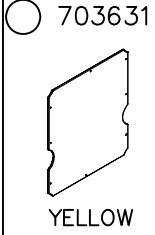
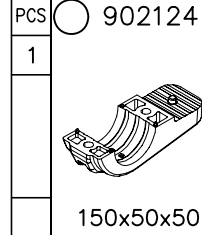
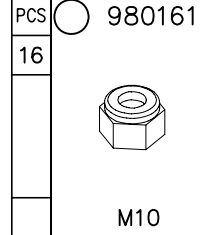
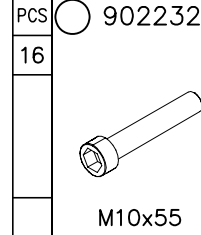
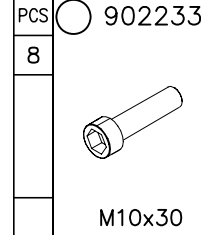
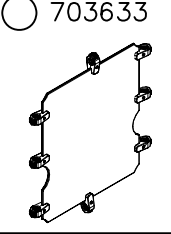
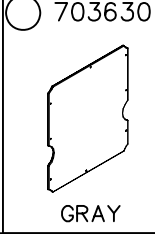
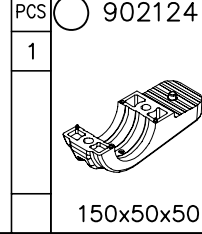
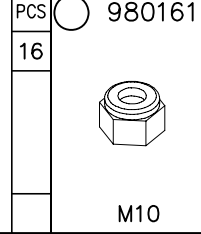
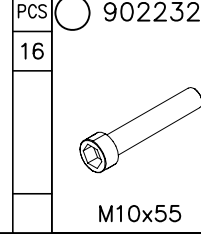
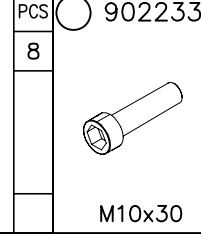
| | | | | | | | | | | | | |
|--|---|----------|---|-----------|---|-----------|--|-----------|---|-----------|--|-----|
| ○ 703456  | ○ 703457 GRAY  | PCS 1 | ○ 902124  | PCS 16 | ○ 980161  | PCS 16 | ○ 902232  | PCS 8 | ○ 902233  | PCS 8 | | PCS |
| ○ 703459  | ○ 703458 YELLOW  | PCS 1 | ○ 902124  | PCS 16 | ○ 980161  | PCS 16 | ○ 902232  | PCS 8 | ○ 902233  | PCS 8 | | PCS |
| | | PCS | | PCS | | PCS | | PCS | | PCS | | PCS |
| ○ 703479  | ○ 703471 YELLOW  | PCS 1 | ○ 902124  | PCS 20 | ○ 980161  | PCS 20 | ○ 902232  | PCS 10 | ○ 902233  | PCS 10 | | PCS |
| ○ 703485  | ○ 703470 GRAY  | PCS 1 | ○ 902124  | PCS 20 | ○ 980161  | PCS 20 | ○ 902232  | PCS 10 | ○ 902233  | PCS 10 | | PCS |
| | | PCS | | PCS | | PCS | | PCS | | PCS | | PCS |
| ○ 703480  | ○ 703473 YELLOW  | PCS 1 | ○ 902124  | PCS 28 | ○ 980161  | PCS 28 | ○ 902232  | PCS 14 | ○ 902233  | PCS 14 | | PCS |
| ○ 703484  | ○ 703472 GRAY  | PCS 1 | ○ 902124  | PCS 28 | ○ 980161  | PCS 28 | ○ 902232  | PCS 14 | ○ 902233  | PCS 14 | | PCS |

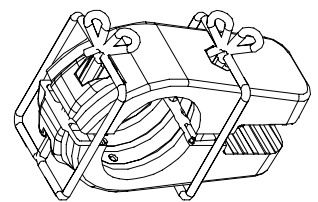
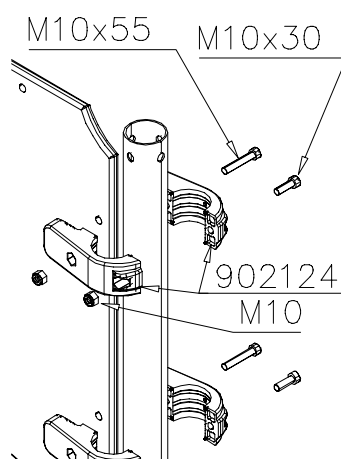
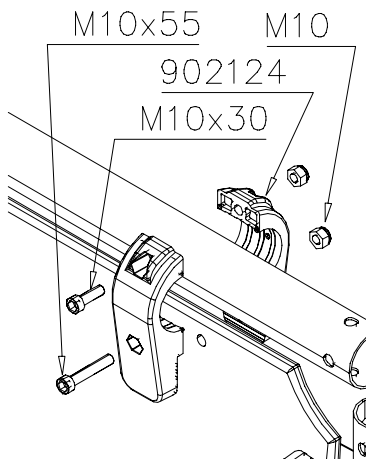
WINAM GROUP WALL

PARKOUR

DATE: 17.11.2010

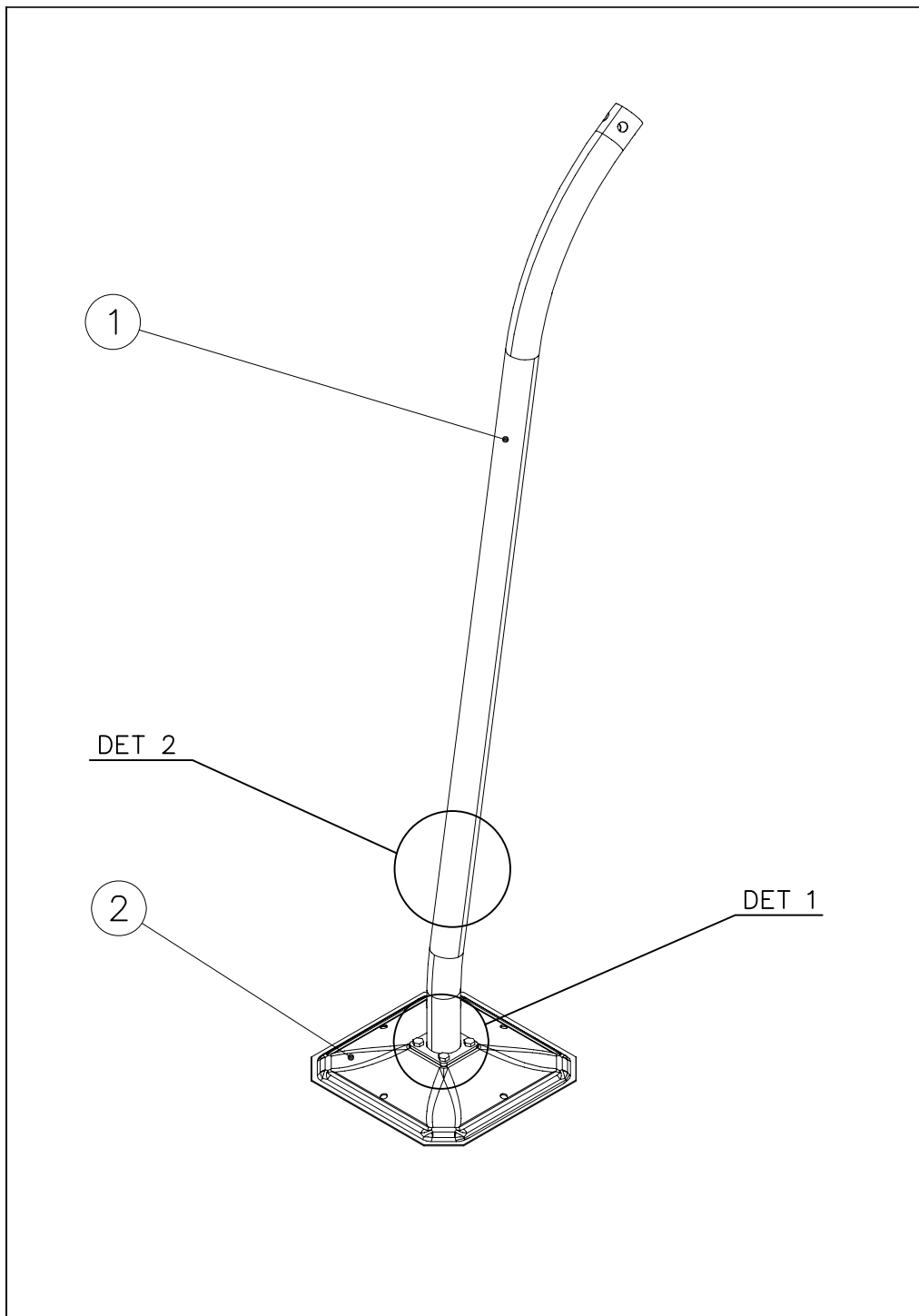



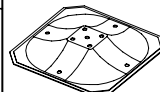
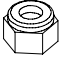

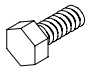
| | | | | | | | | | | | | |
|--|--|----------|--|-----------|--|-----------|--|----------|---|----------|--|-----|
|  |  YELLOW | PCS 1 |  150x50x50 | PCS 12 |  M10 | PCS 12 |  M10x55 | PCS 6 |  M10x30 | PCS 6 | | PCS |
|  |  GRAY | PCS 1 |  150x50x50 | PCS 12 |  M10 | PCS 12 |  M10x55 | PCS 6 |  M10x30 | PCS 6 | | PCS |
| | | PCS | | PCS | | PCS | | PCS | | PCS | | PCS |
|  |  YELLOW | PCS 1 |  150x50x50 | PCS 16 |  M10 | PCS 16 |  M10x55 | PCS 8 |  M10x30 | PCS 8 | | PCS |
|  |  GRAY | PCS 1 |  150x50x50 | PCS 16 |  M10 | PCS 16 |  M10x55 | PCS 8 |  M10x30 | PCS 8 | | PCS |
| | | PCS | | PCS | | PCS | | PCS | | PCS | | PCS |



NOTE:
Use a wire marked pairs
of the same junction.

Huom!
Käytä langalla merkittyjä
paria samassa liitoksessa.



| | | | |
|---|-----|---|-----|
| ① 904152 | PCS | ② 909519 | PCS |
|  | 1 |  | 1 |
| ③ 909637 | PCS | ④ 909638 | PCS |
|  | 4 |  | 4 |
| M10 | | Ø20/10.5 | |
| ⑤ 909639 | PCS | | PCS |
|  | 4 | | |
| M10x25 | | | |
| | PCS | | PCS |
| | | | |
| | PCS | | PCS |
| | | | |
| | PCS | | PCS |
| | | | |

