
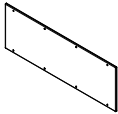

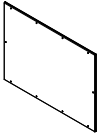

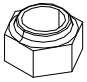

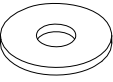
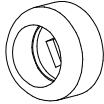
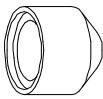

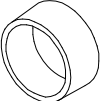

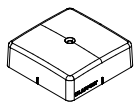
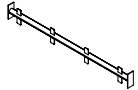
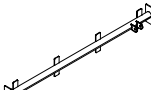
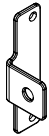
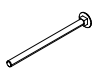




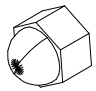



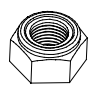
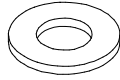
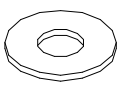

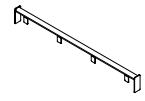
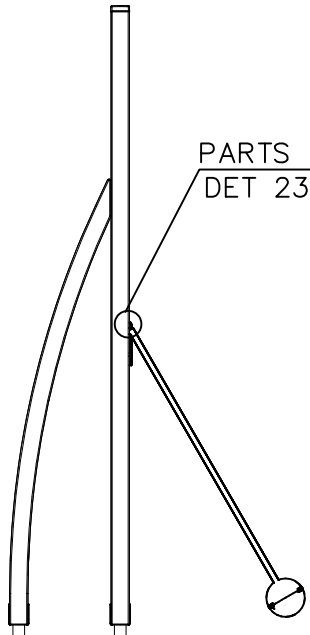


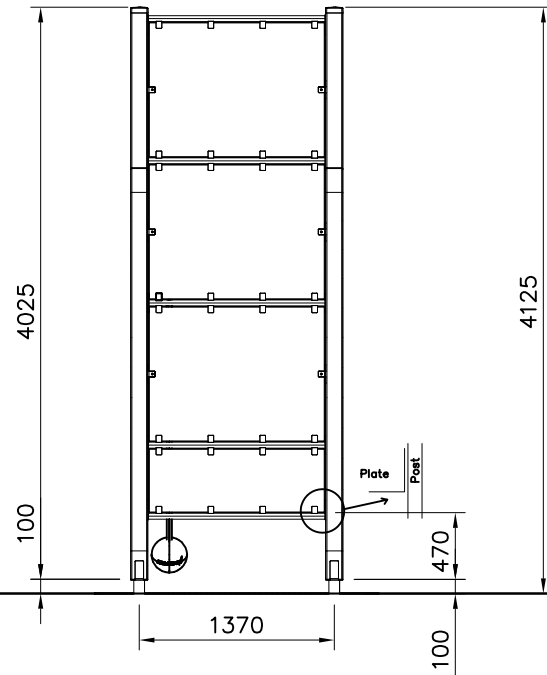
①	706029	PCS	②	705041	PCS
		1			1
				19x451x1240	
③	705048	PCS	④	705063	PCS
		2			3
	120x120			19x951x1240	
⑤	705350	PCS	⑥	902234	PCS
		2			2
	120x120x3990			M12	
⑦	980114	PCS	⑧	905051	PCS
		8			4
	Ø4x20			Ø24/8.4	
⑨	905083	PCS	⑩	905104	PCS
		2			16
	Ø32			M10	
⑪	704881	PCS	⑫	905112	PCS
		1			2
	118x78			Ø22	
⑬	905761	PCS	⑭	905830	PCS
		4			2
	120x120x700			123x123x40	
⑮	906021	PCS	⑯	907538	PCS
		2			1
	Ø42,4x1252			Ø42,4x1252	

<p>⑰ 906117</p>  <p>130x44x52</p>	<p>PCS</p> <p>6</p>	<p>⑱ 909102</p>  <p>M12x200</p>	<p>PCS</p> <p>2</p>	<p>⑲ 909203</p>  <p>M8x75</p>	<p>PCS</p> <p>1</p>	<p>⑳ 909233</p>  <p>8x100</p>	<p>PCS</p> <p>4</p>	<p>㉑ 909253</p>  <p>Ø32/13.5/2</p>	<p>PCS</p> <p>2</p>	<p>㉒ 909256</p>  <p>Ø16/8.4</p>	<p>PCS</p> <p>68</p>
<p>㉓ 909633</p>  <p>M8</p>	<p>PCS</p> <p>38</p>	<p>㉔ 909852</p>  <p>M8x30</p>	<p>PCS</p> <p>38</p>	<p>㉕ 980104</p>  <p>Ø5x90</p>	<p>PCS</p> <p>2</p>	<p>㉖ 980123</p>  <p>Ø7x60</p>	<p>PCS</p> <p>68</p>	<p>㉗ 980150</p>  <p>M8</p>	<p>PCS</p> <p>1</p>	<p>㉘ 980151</p>  <p>Ø16/8.4</p>	<p>PCS</p> <p>2</p>
<p>㉙ 980152</p>  <p>Ø24/8.4x2</p>	<p>PCS</p> <p>38</p>	<p>⑳ 906751</p> 	<p>PCS</p> <p>1</p>	<p>㉑ 906009</p>  <p>Ø42,4x1252</p>	<p>PCS</p> <p>2</p>						

1: 49

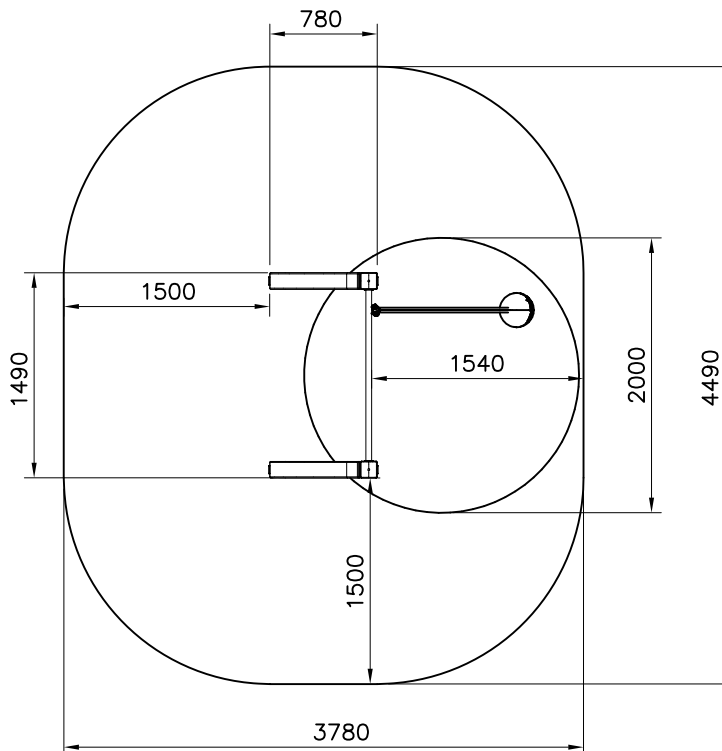


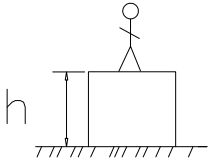



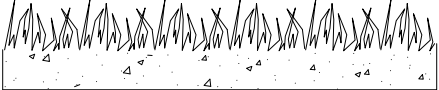
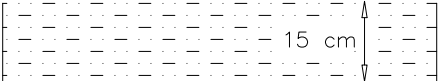
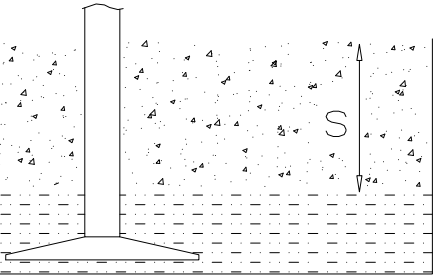
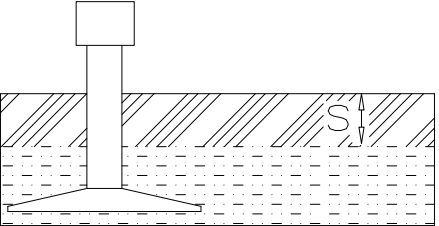
1: 53



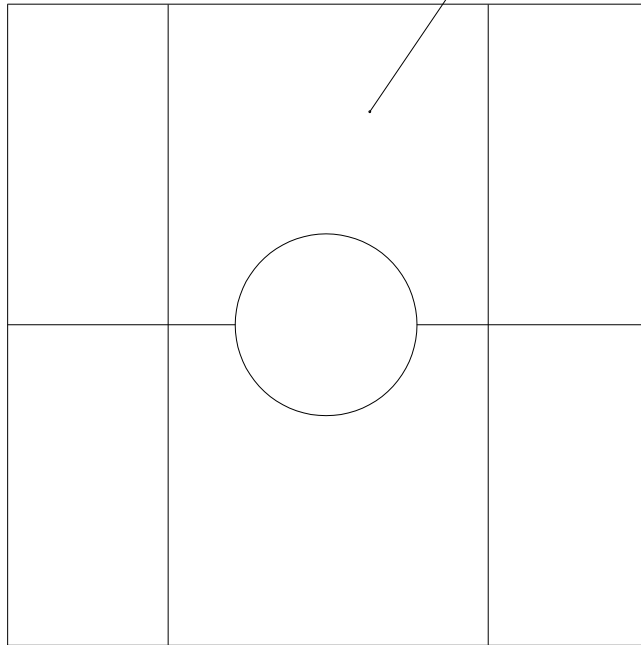
Area of Movement 15 m<sup>2</sup>  
Training Space 3.1 m<sup>2</sup>  
Max Falling Height 0 mm

1: 55

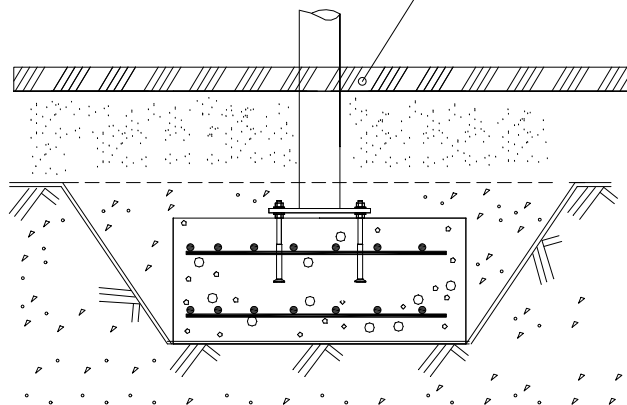


		
<p><b><math>h &lt; 600</math></b></p> <p>Without movement and therefore without Impact Area</p>	<p>Totally hard surfaces.</p> <p>Note. Lappset does <u>not recommend</u> totally hard surfaces at all.</p>	<p>E.g. concrete or asphalt</p> 
<p><b><math>h &lt; 600</math></b></p> <p>With movement e.g. rocking</p>	<p>Materials with very limited impact attenuating properties.</p>	<p>E.g. wood</p> 
<p><b><math>h &lt; 1000</math></b></p>	<p>Materials with significant impact attenuating properties.</p>	<p>fine gravel 0–8 mm</p>  <p>grass</p>  <p>unsorted sand</p> 
<p><b><math>h &lt; 3000</math></b></p>	<p>Loose fill material</p> <p>E.g. sand/gravel 0,25...8 mm D60/D10&lt;3,0 Woodchips 5...30 mm bark 20...80 mm</p>	 <p><math>\underline{S}</math>                      <math>\underline{h}</math></p> <p>30 cm                      &lt; 2,0 m</p> <p>40 cm                      &lt; 3,0 m</p>
	<p>Syntethic granulates</p> <p><math>\underline{S}</math>                      <math>\underline{h}</math></p> <p>40 mm ~&gt; 1,2...1,3 m</p> <p>50 mm ~&gt; 1,5...1,7 m</p> <p>60 mm ~&gt; 1,8...2,0 m</p> <p>70 mm ~&gt; 2,1...2,5 m</p> <p>Note. For accurate values, see manufacturer's instructions.</p>	

REMOVE SAFETY SURFACE/SAND/GRAVEL  
TO CHECK FOUNDATION

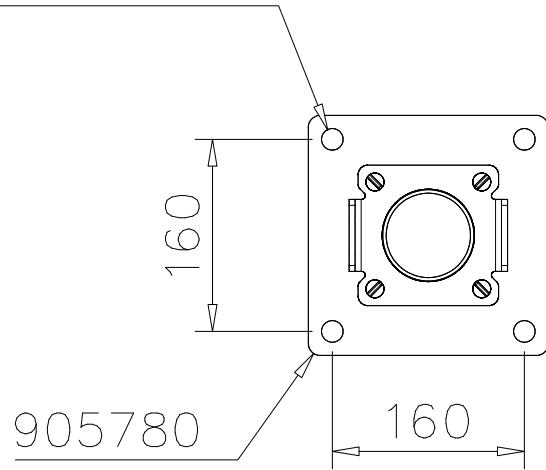


REMOVE SAFETY SURFACE/SAND/GRAVEL  
TO CHECK FOUNDATION

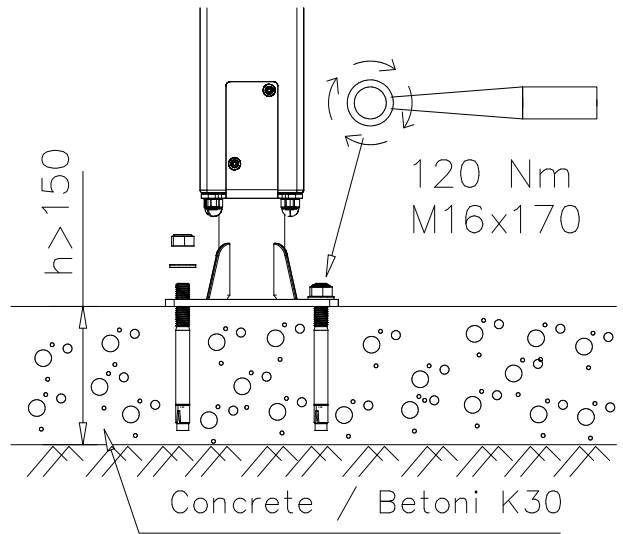


DET 1

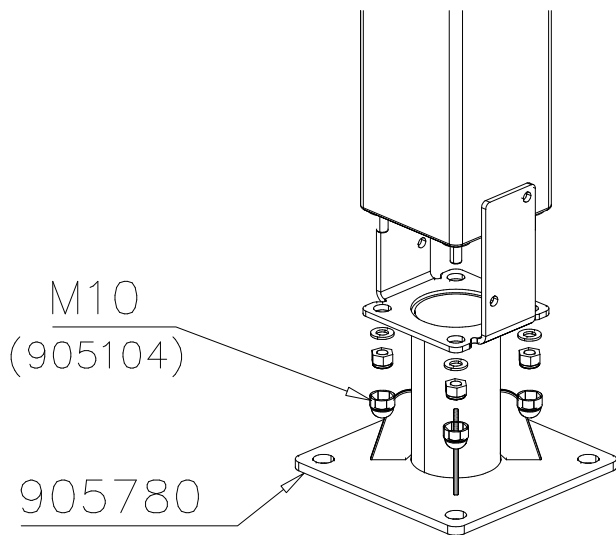
$\varnothing 16 \downarrow > 130$



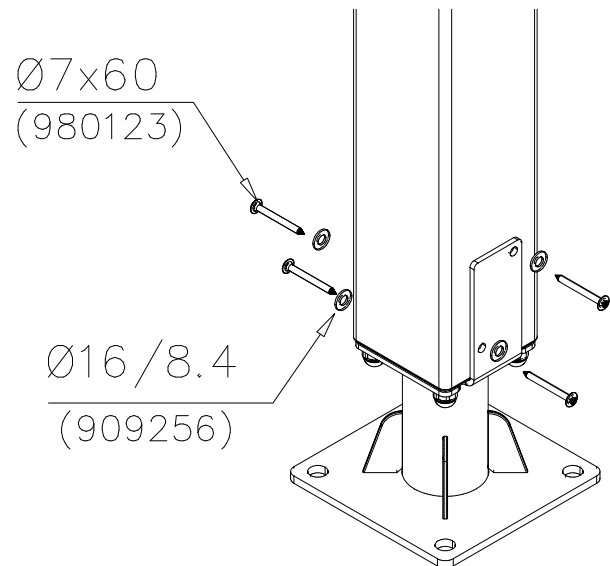
DET 2



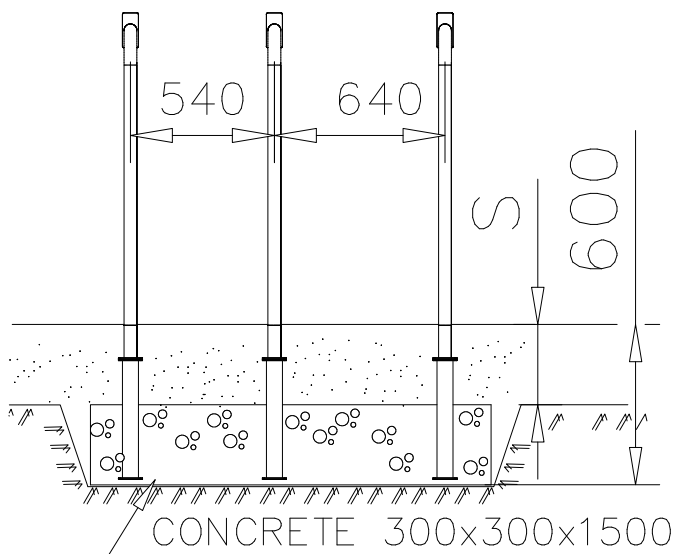
DET 3



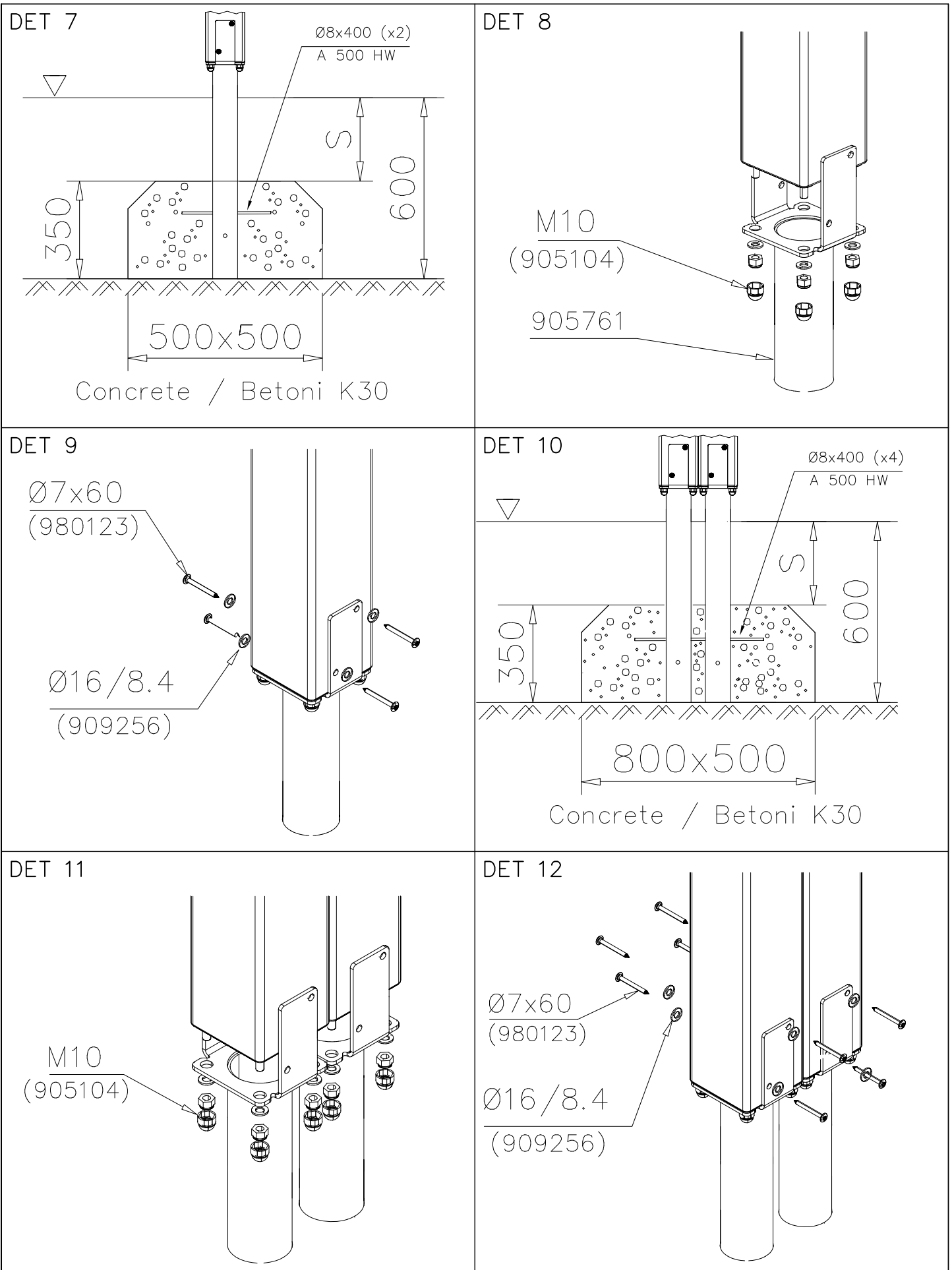
DET 4



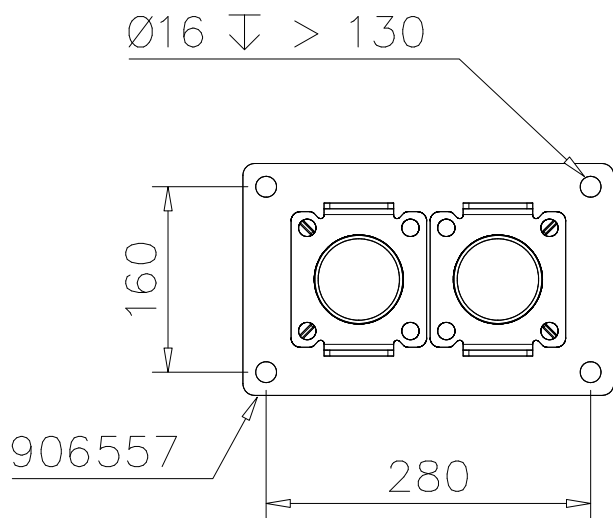
DET 5



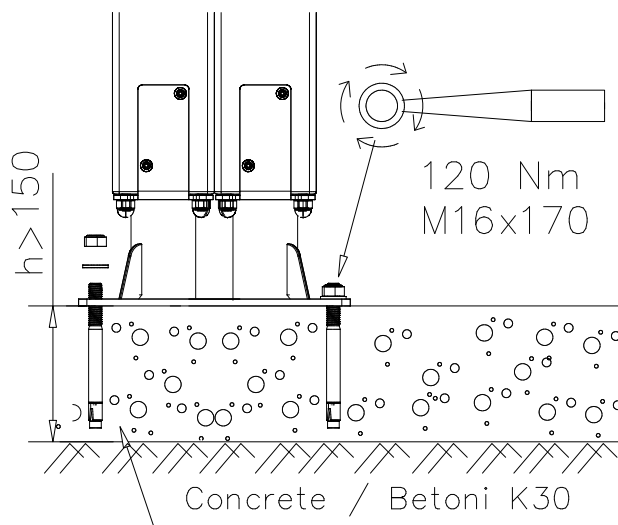
DET 6



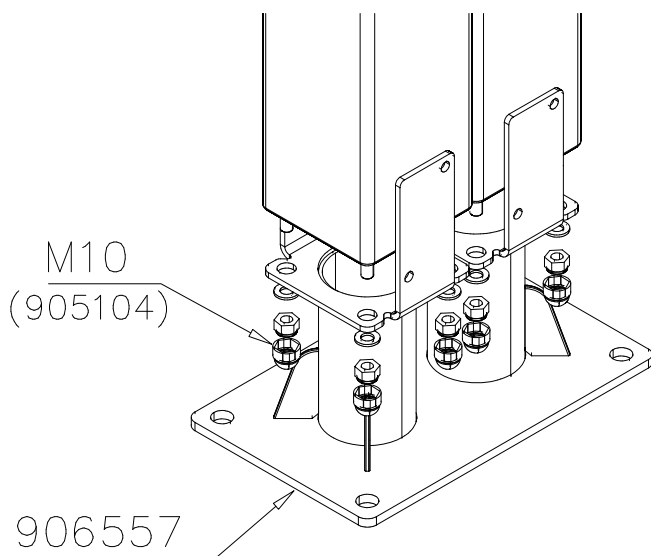
DET 13



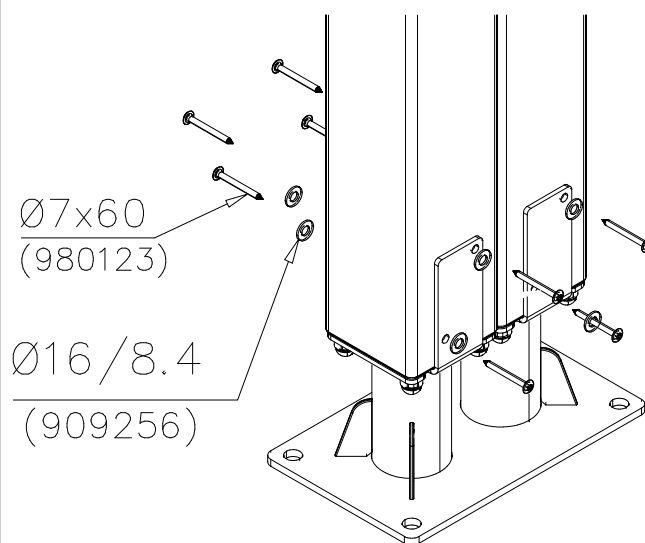
DET 14



DET 15



DET 16

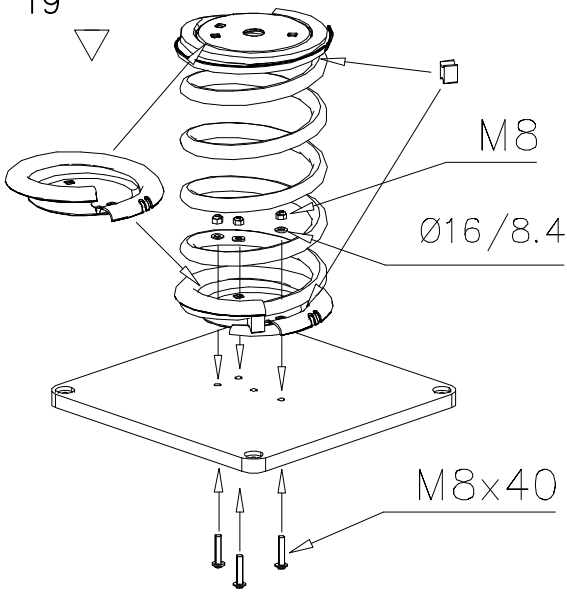


DET 17

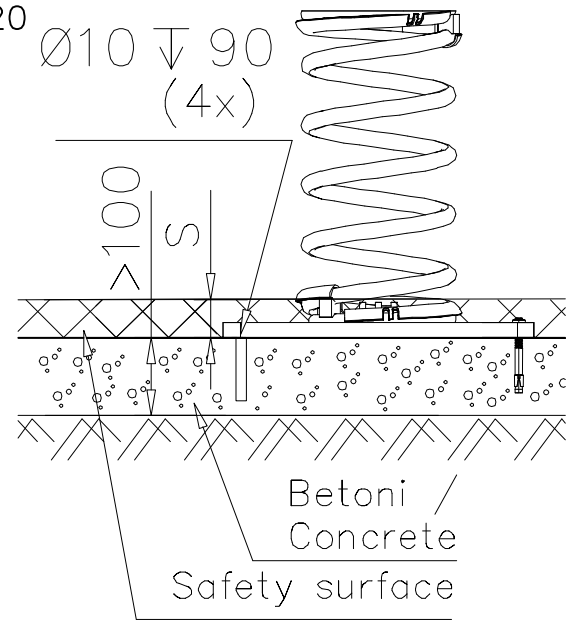
DET 18



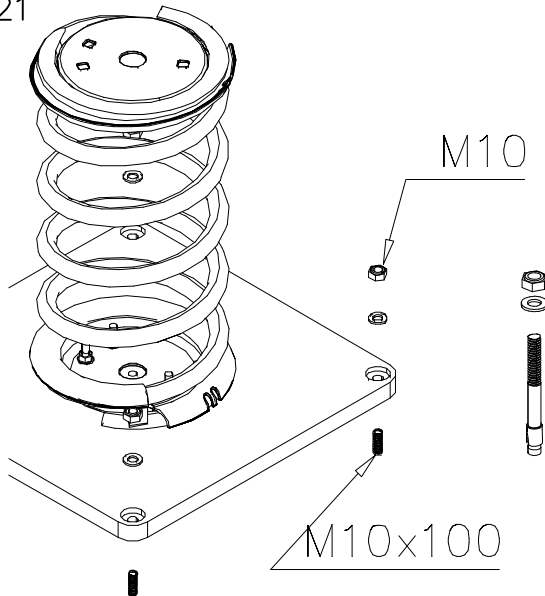
DET 19



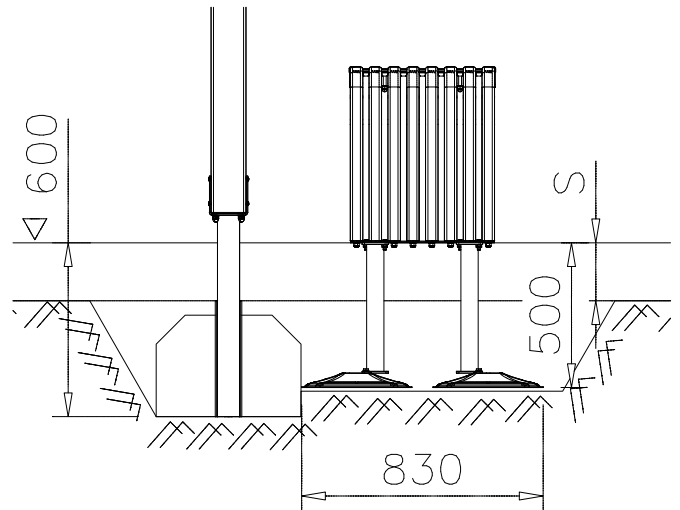
DET 20



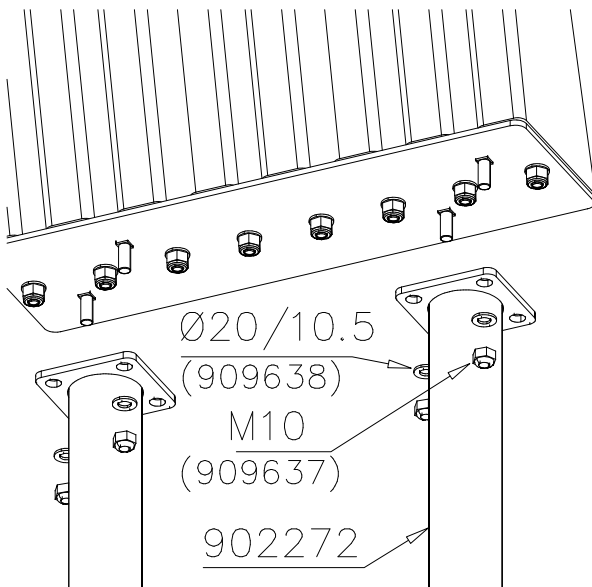
DET 21



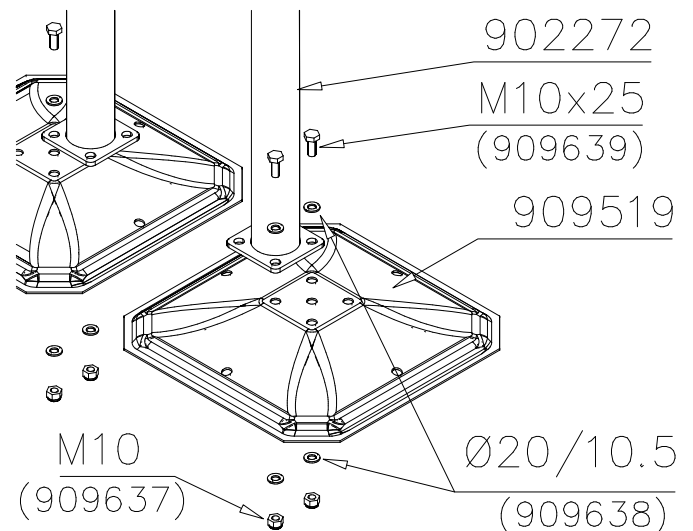
DET 22

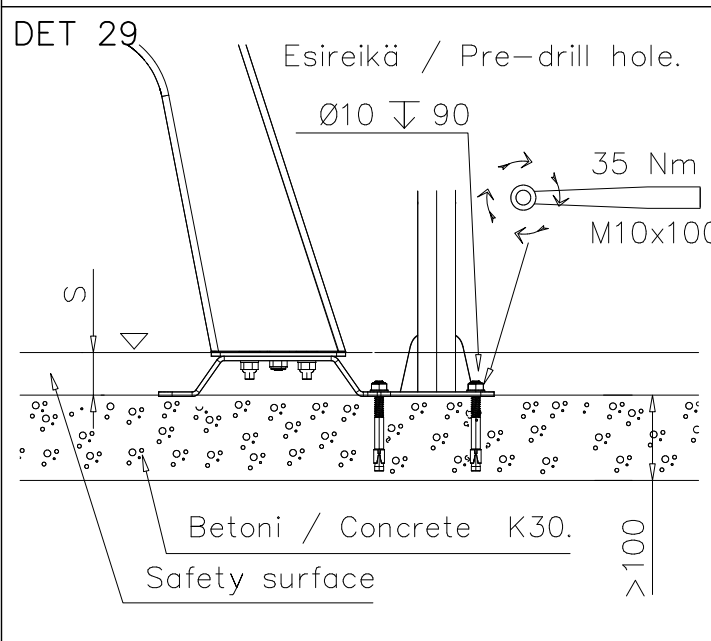
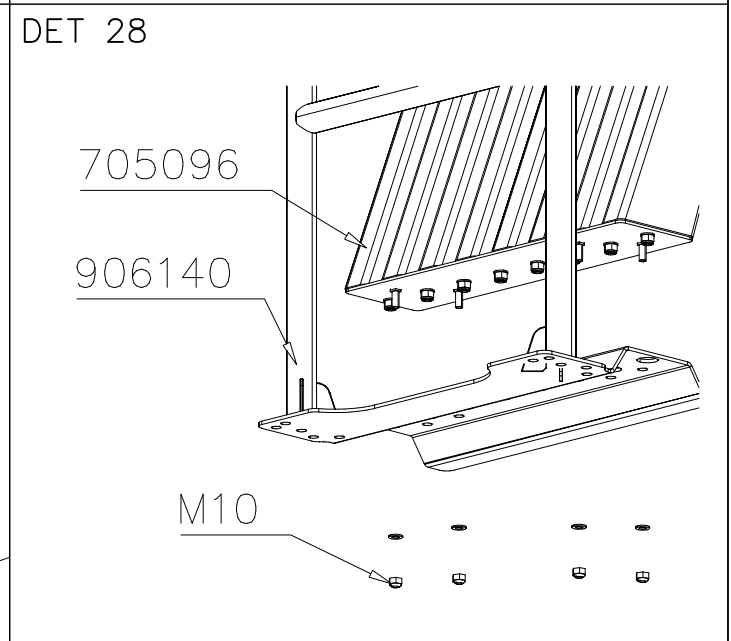
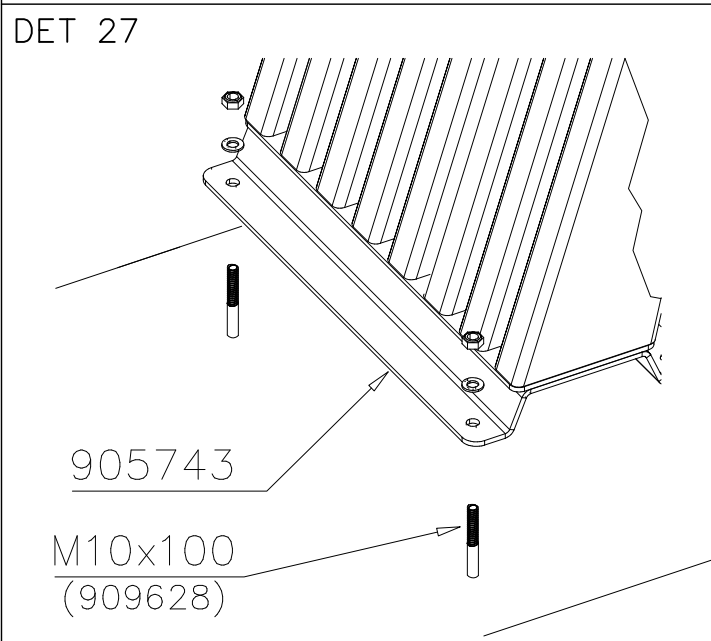
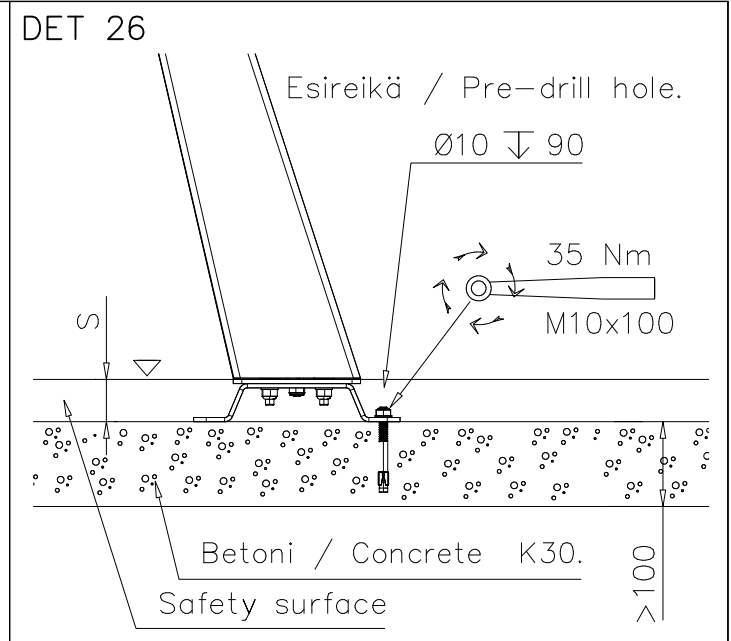
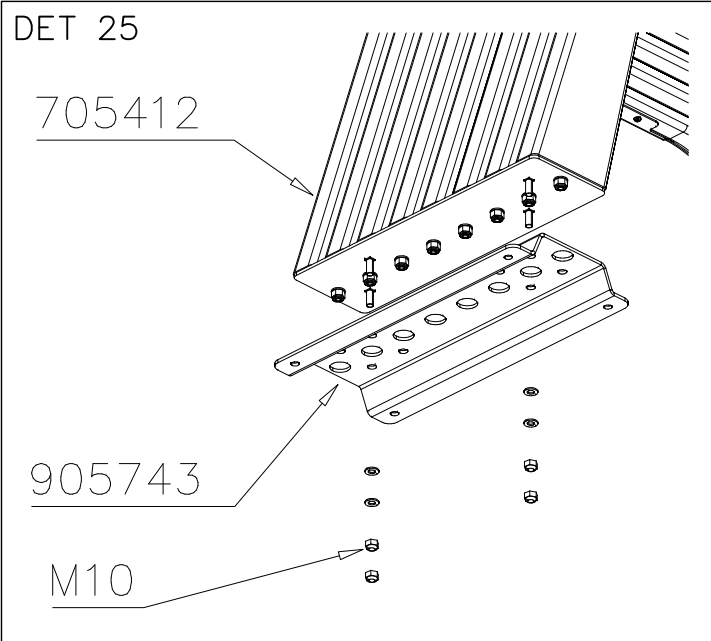


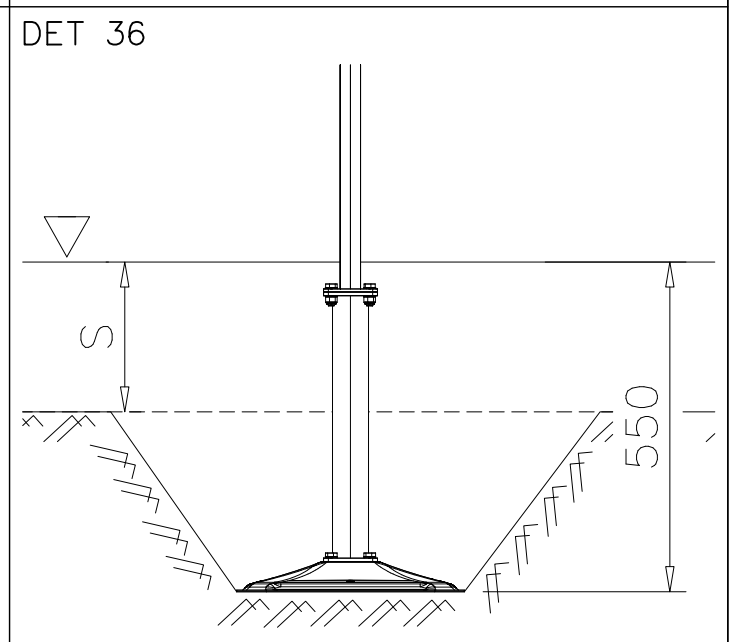
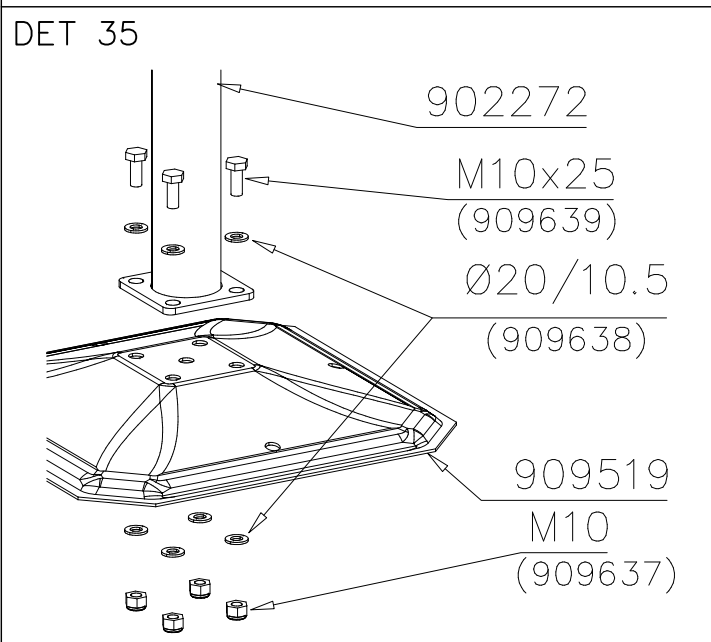
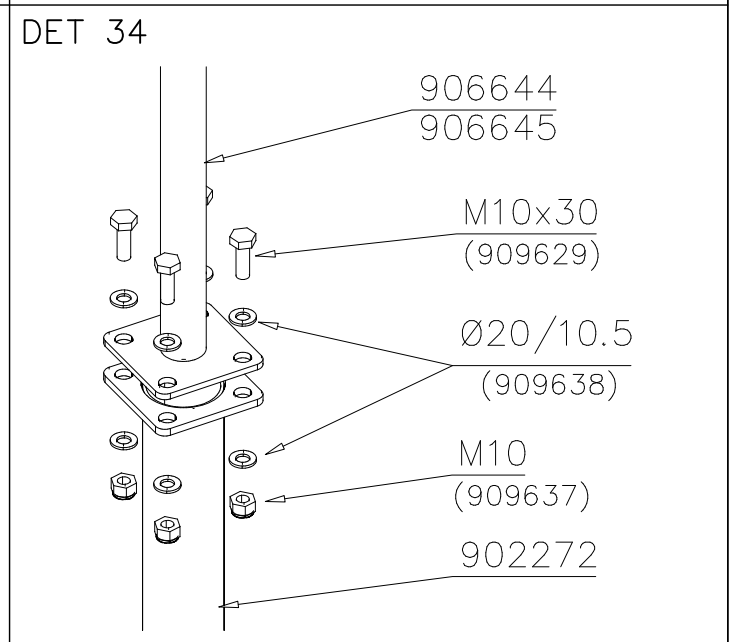
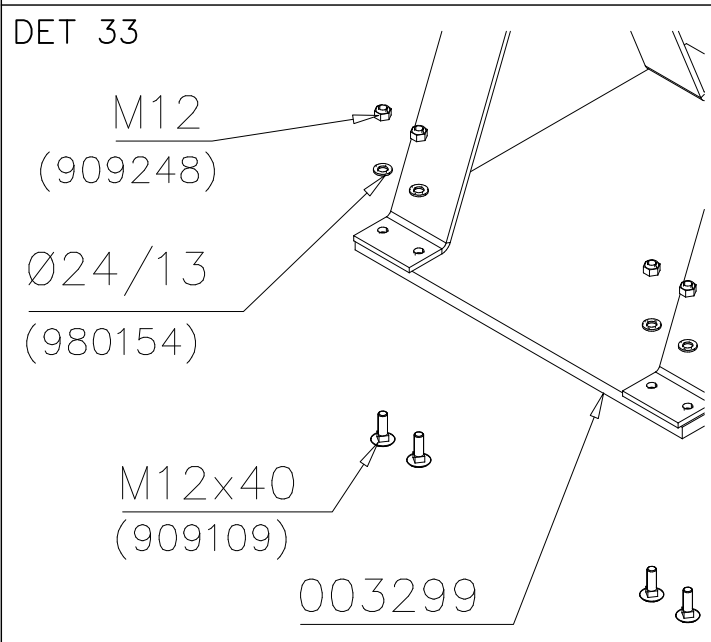
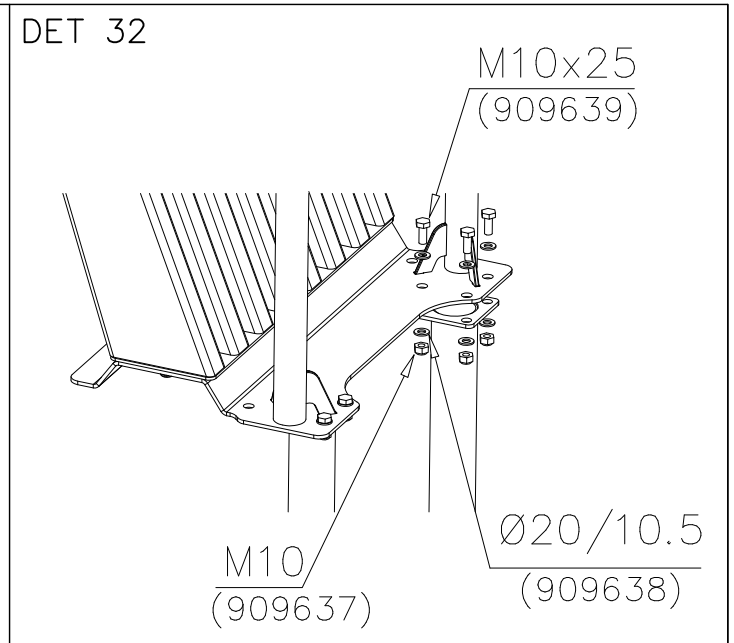
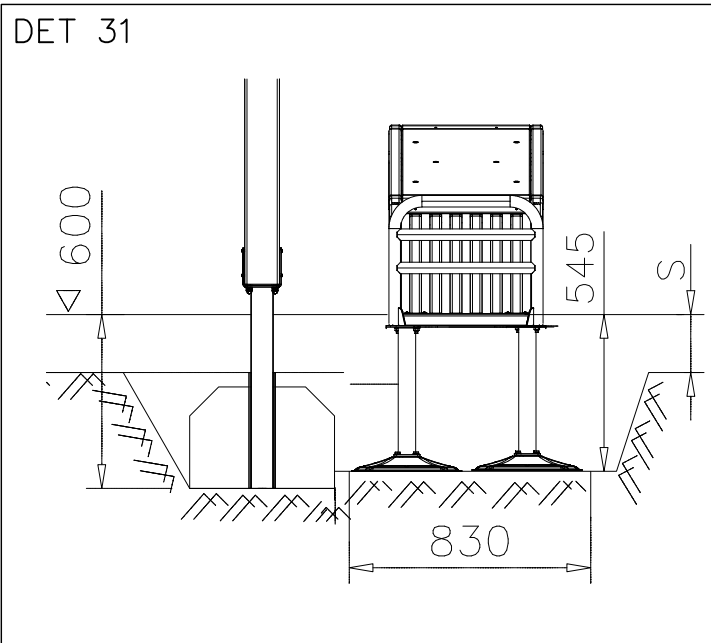
DET 23

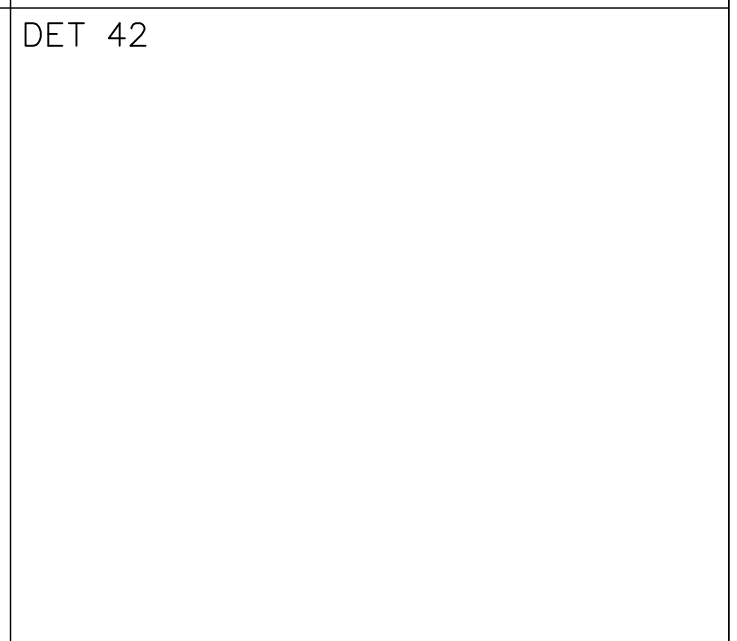
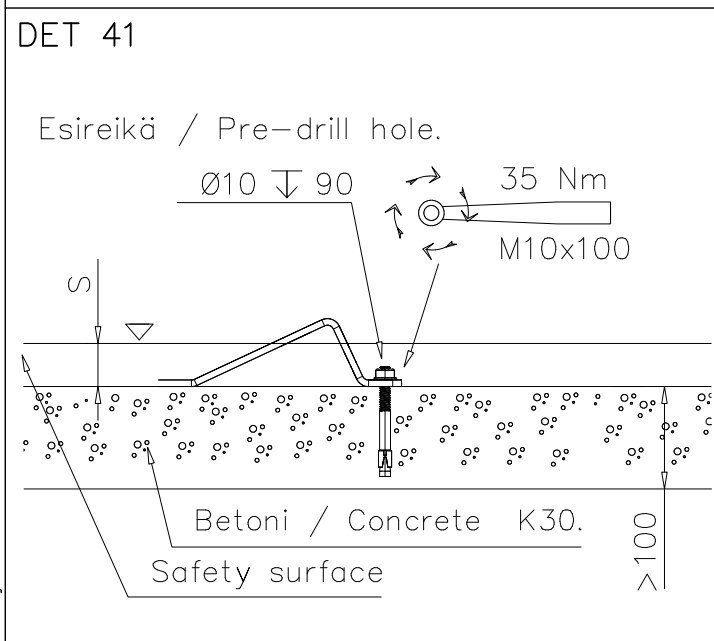
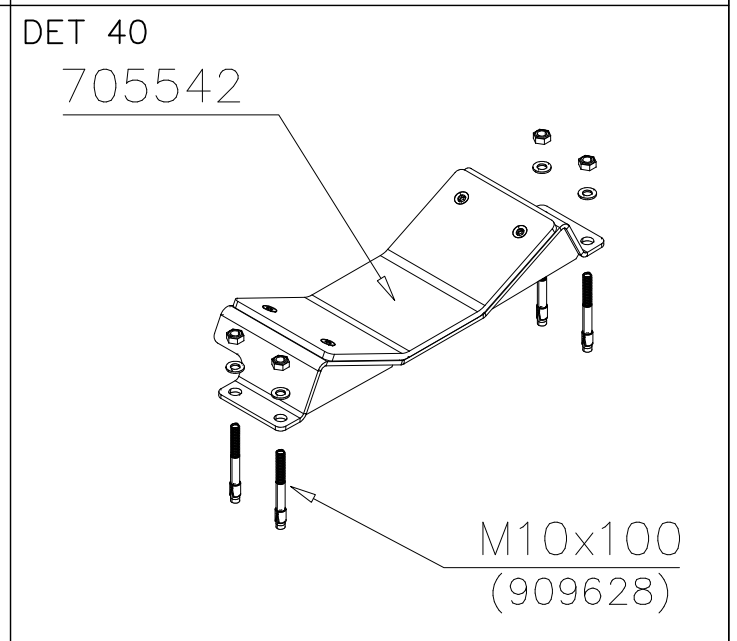
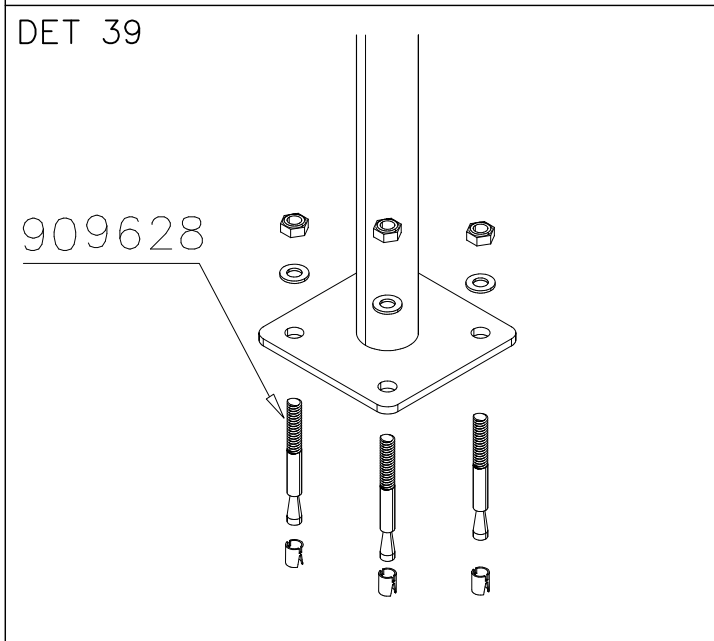
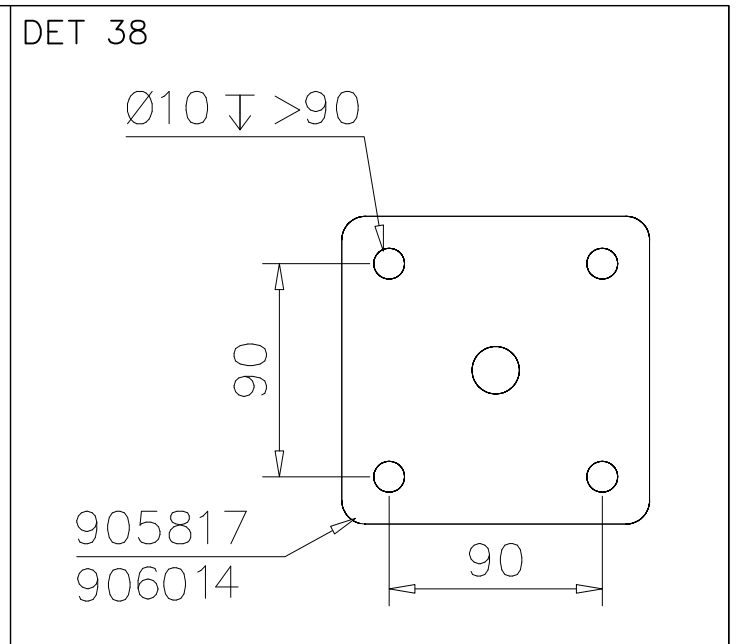
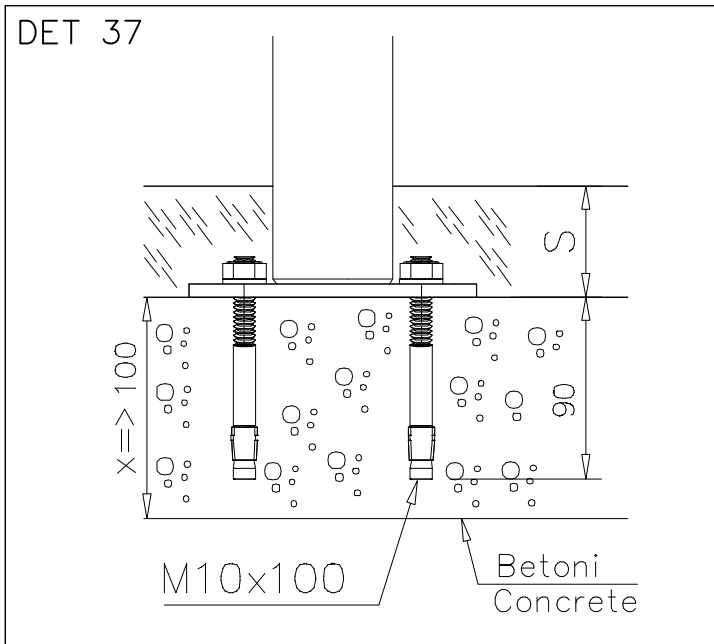


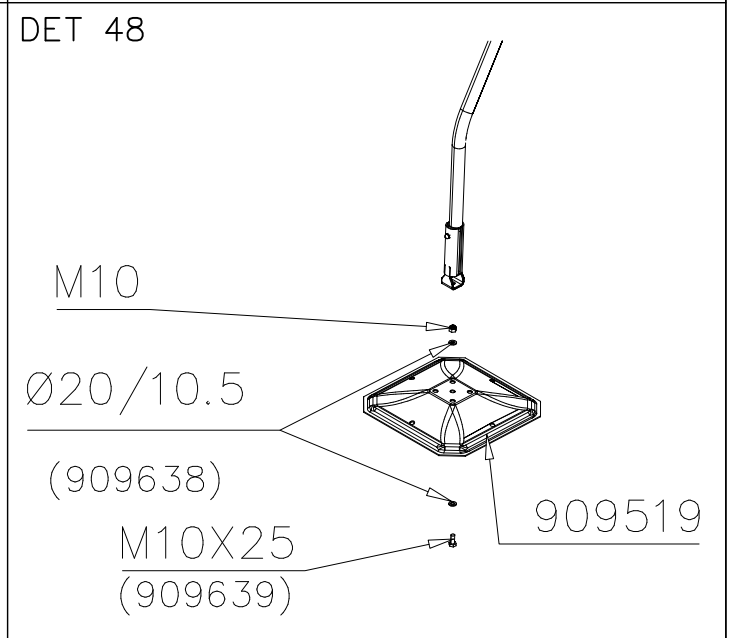
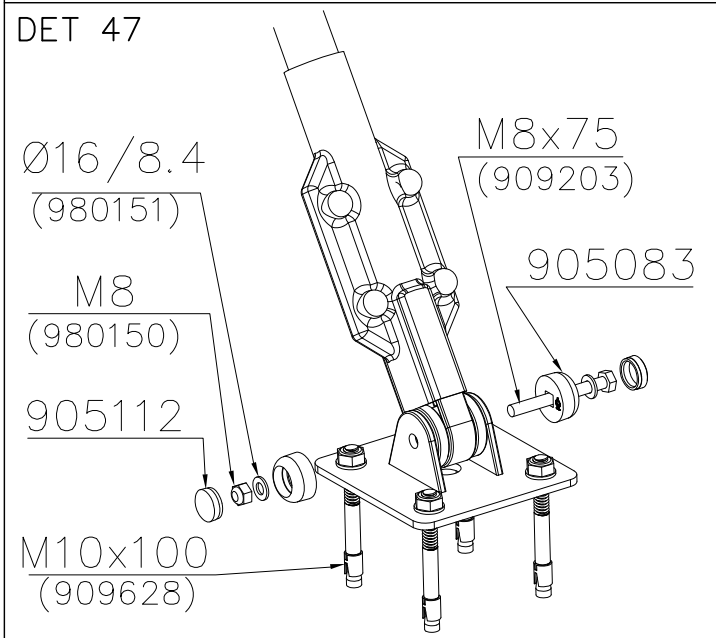
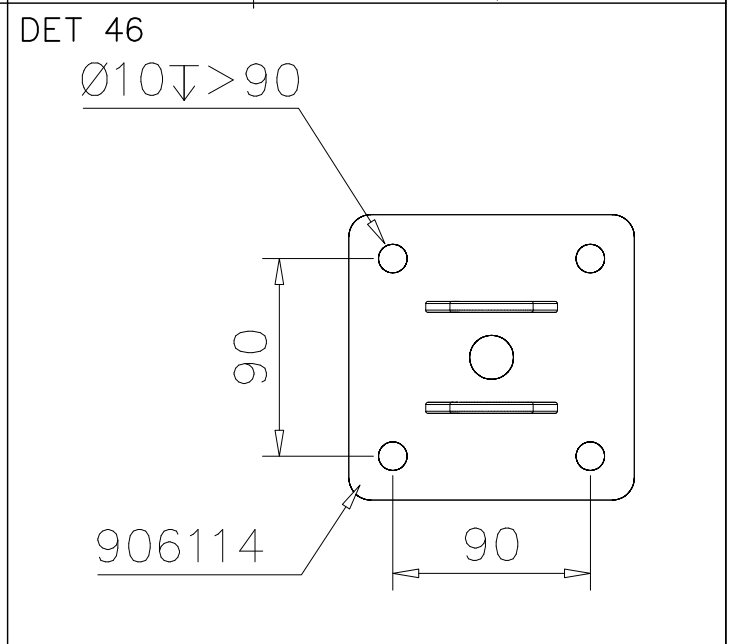
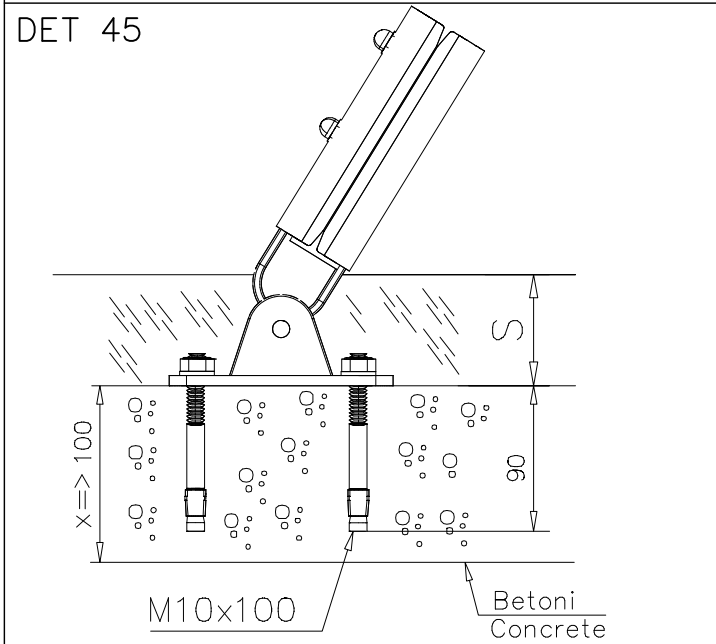
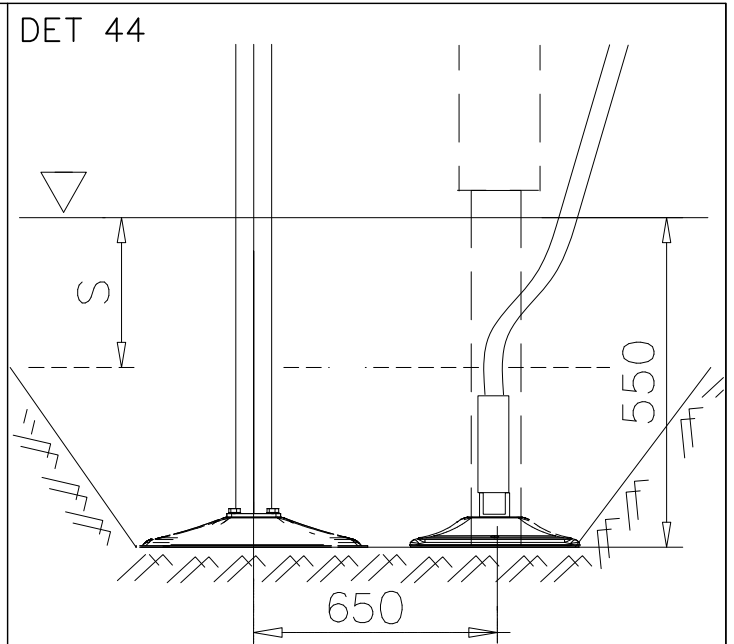
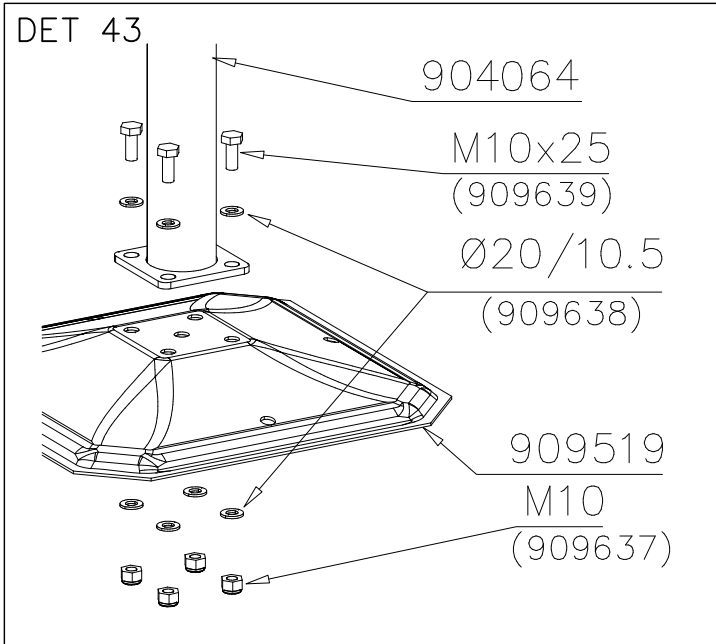
DET 24



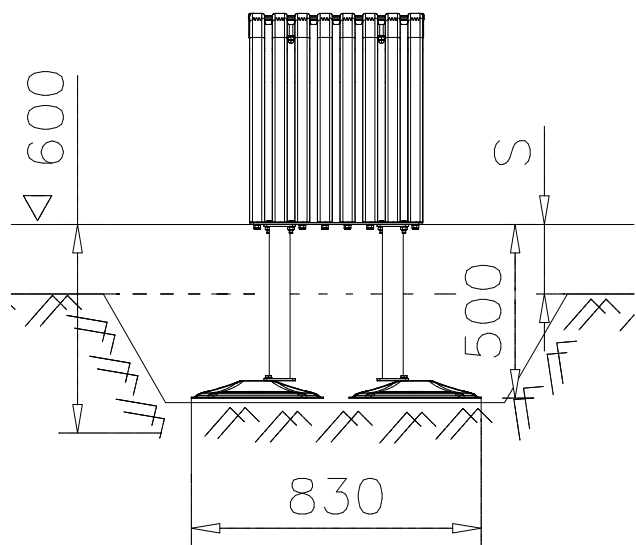




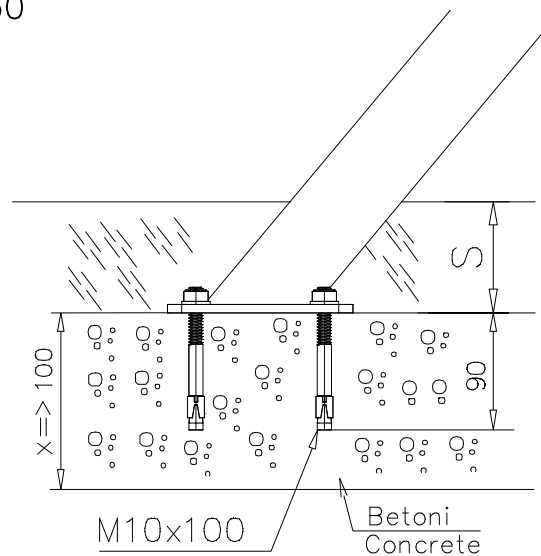




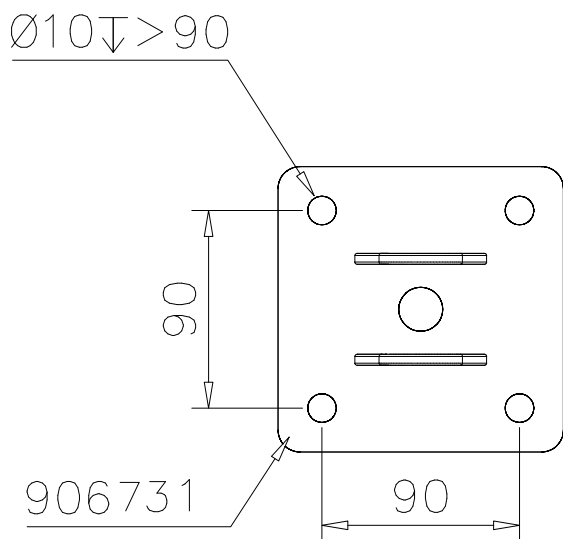
DET 49



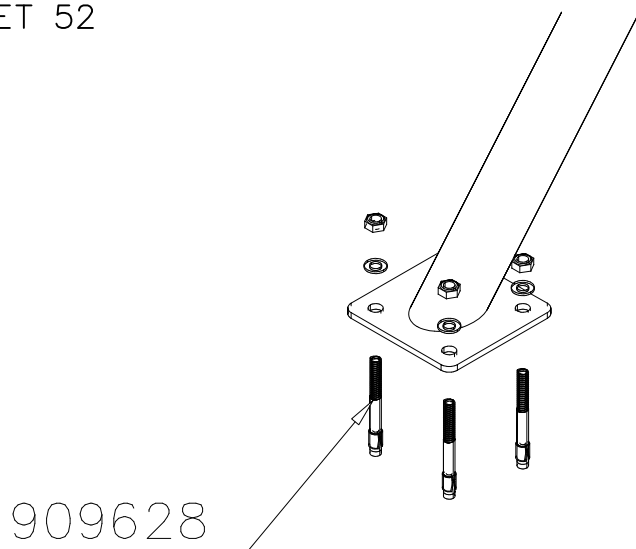
DET 50



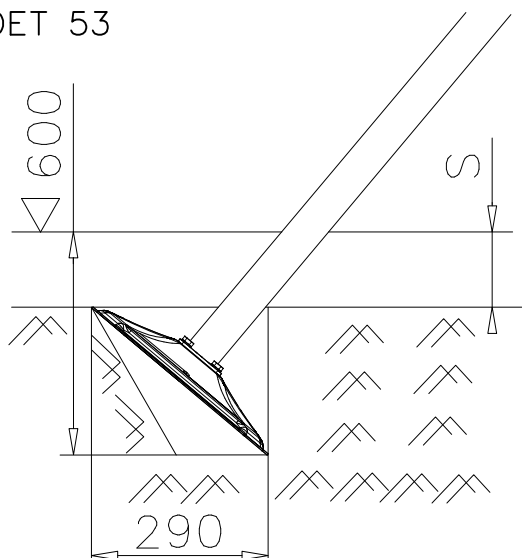
DET 51



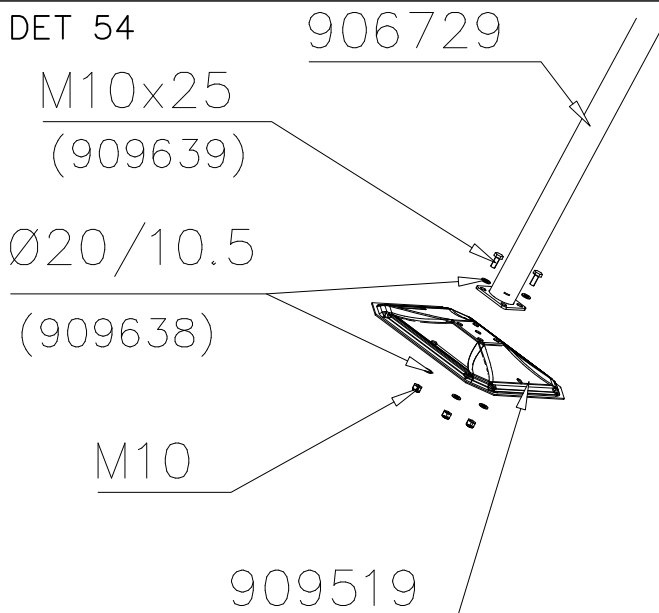
DET 52



DET 53

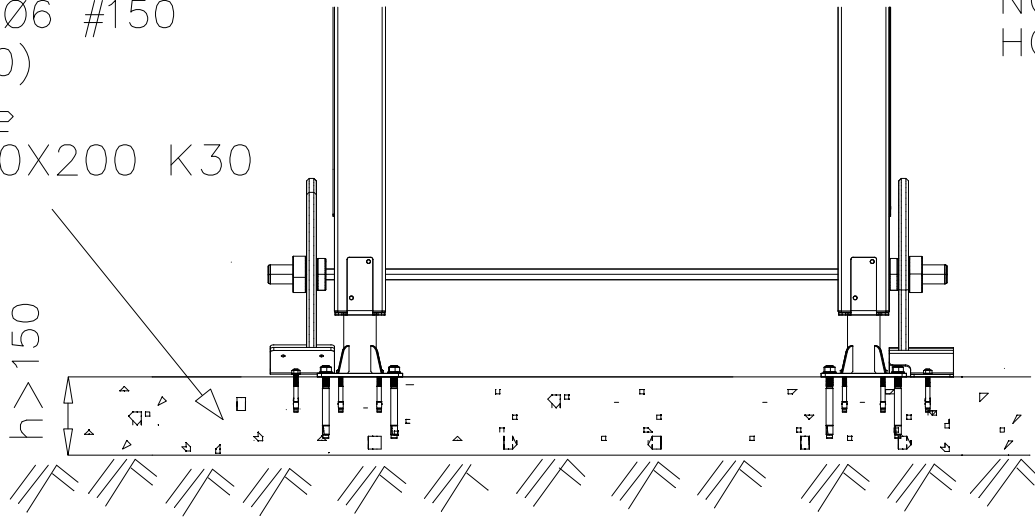


DET 54



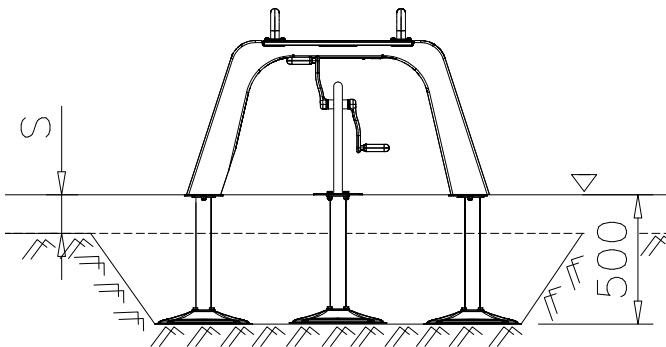
DET 55

STEELNET Ø6 #150  
(1400x2100)  
Concrete  
1500X2200X200 K30

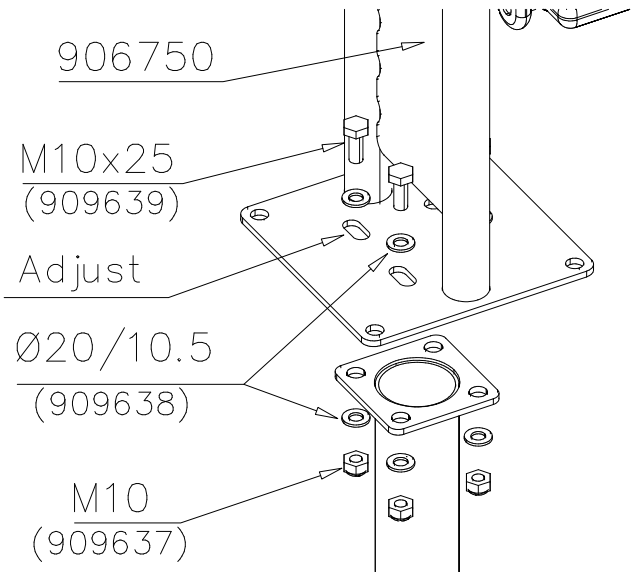


NOTE!  
HOX!

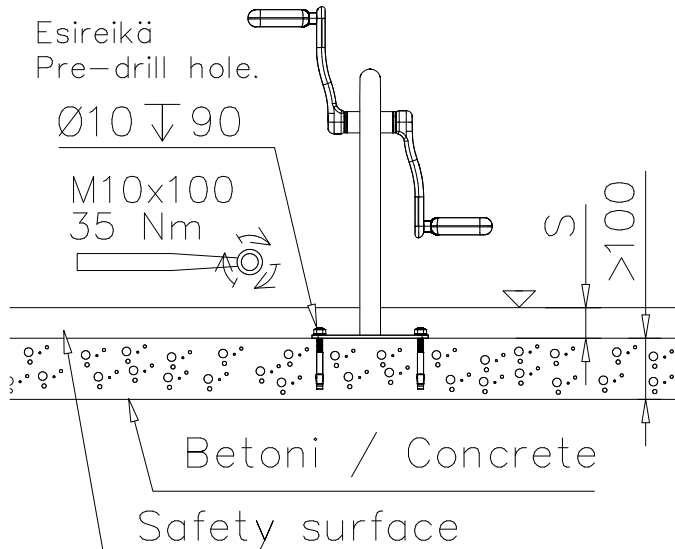
DET 56



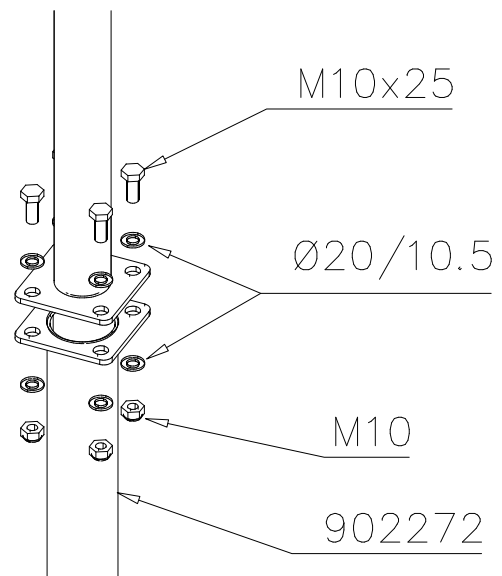
DET 57



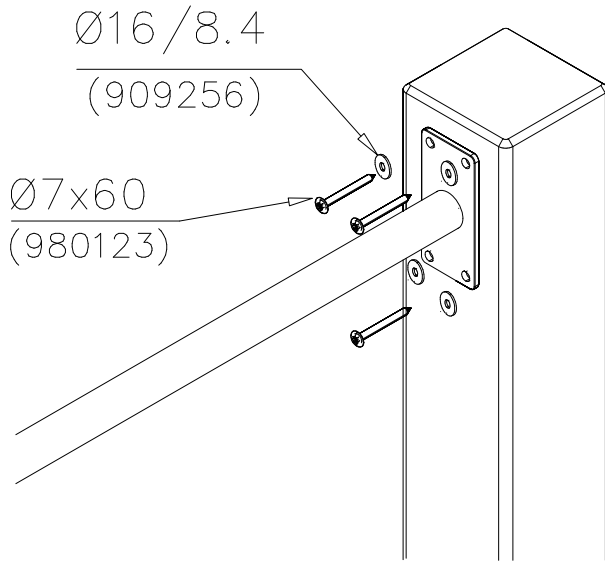
DET 58



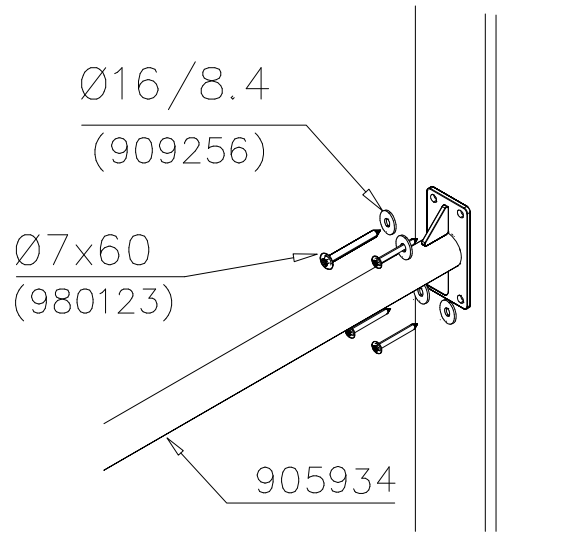
DET 59



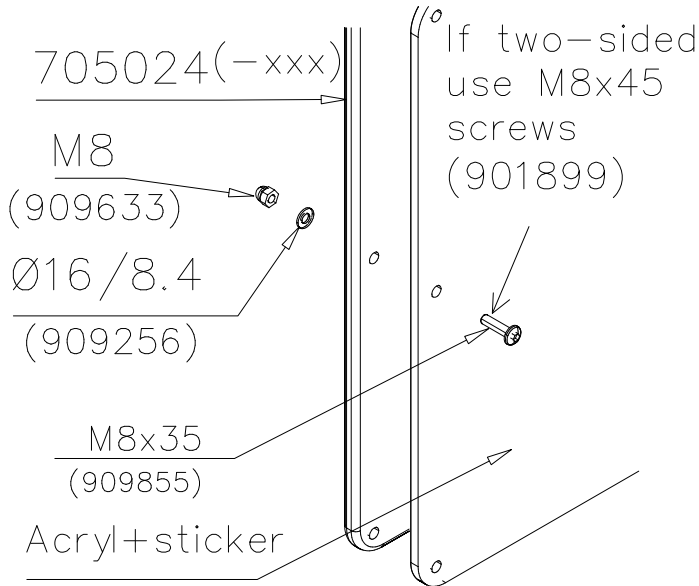
DET 1



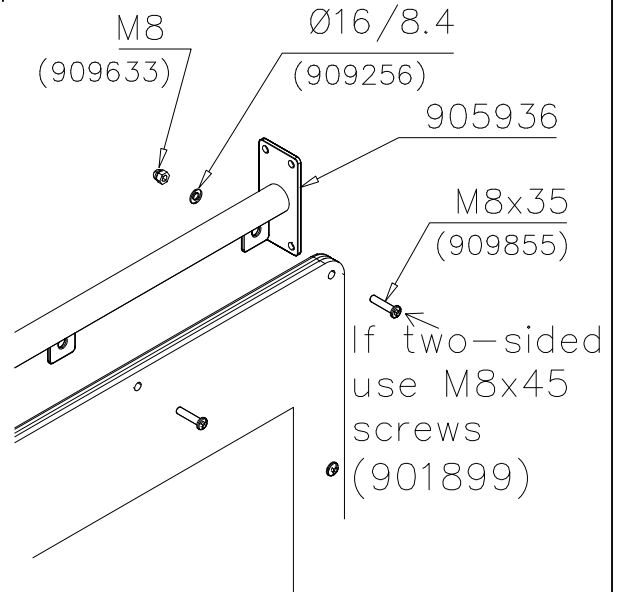
DET 2



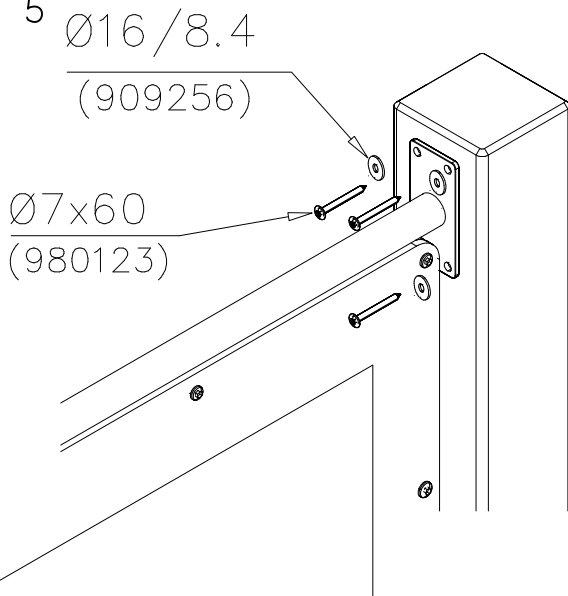
DET 3



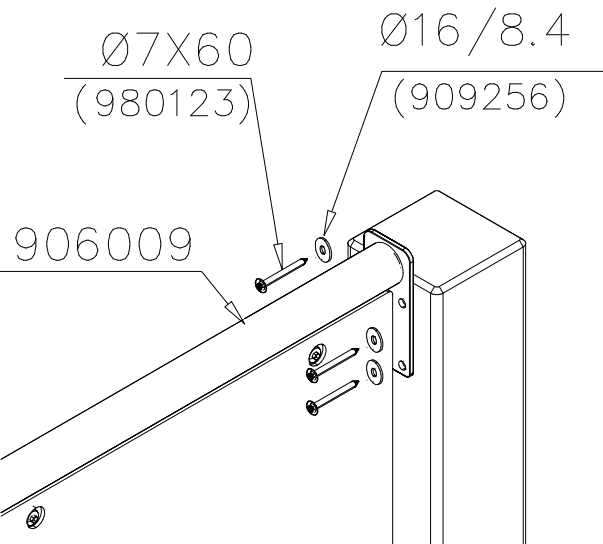
DET 4



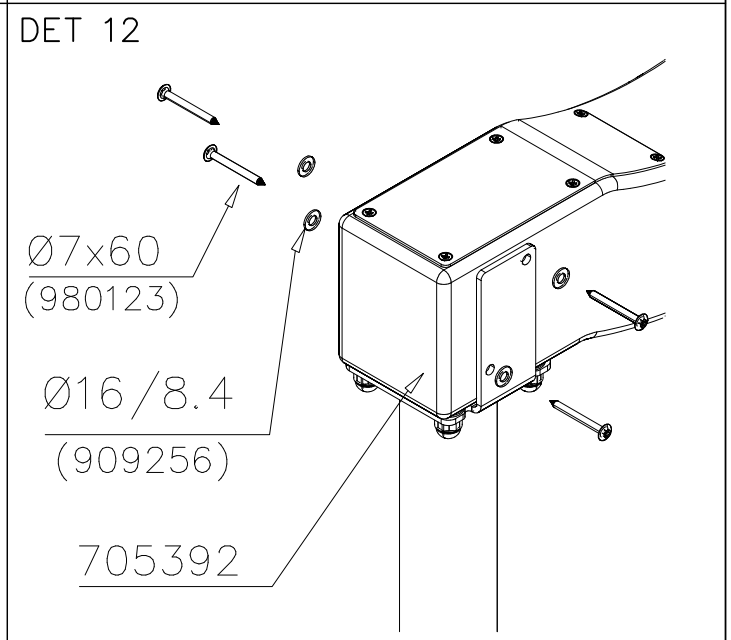
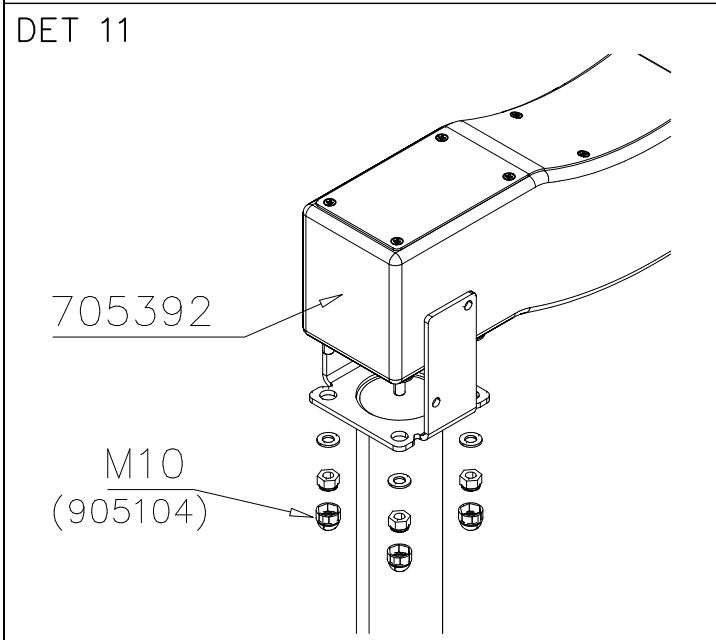
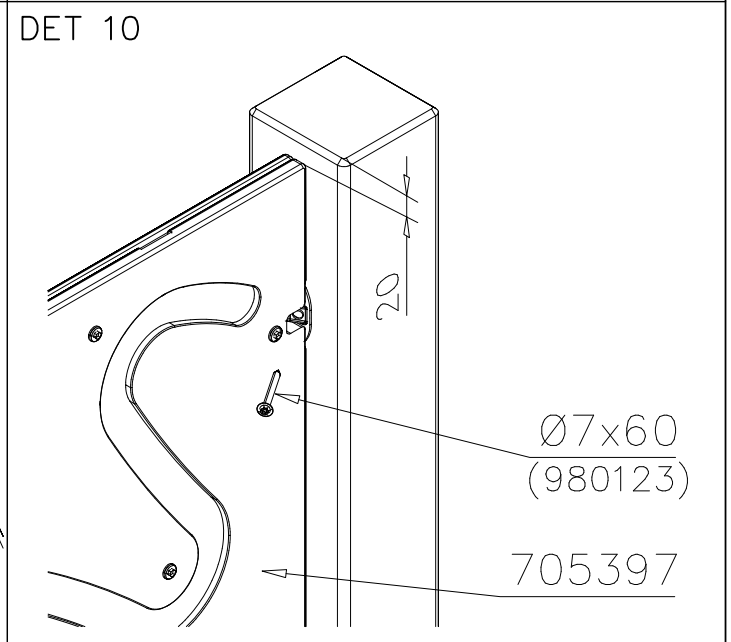
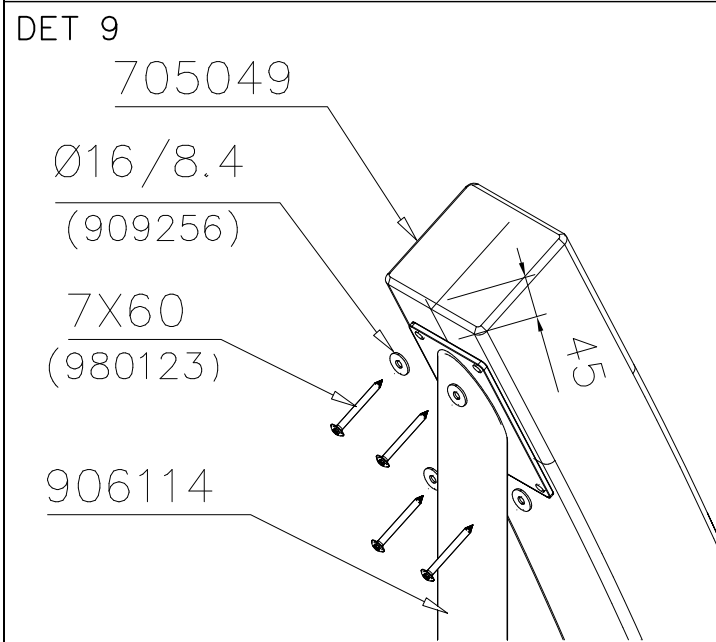
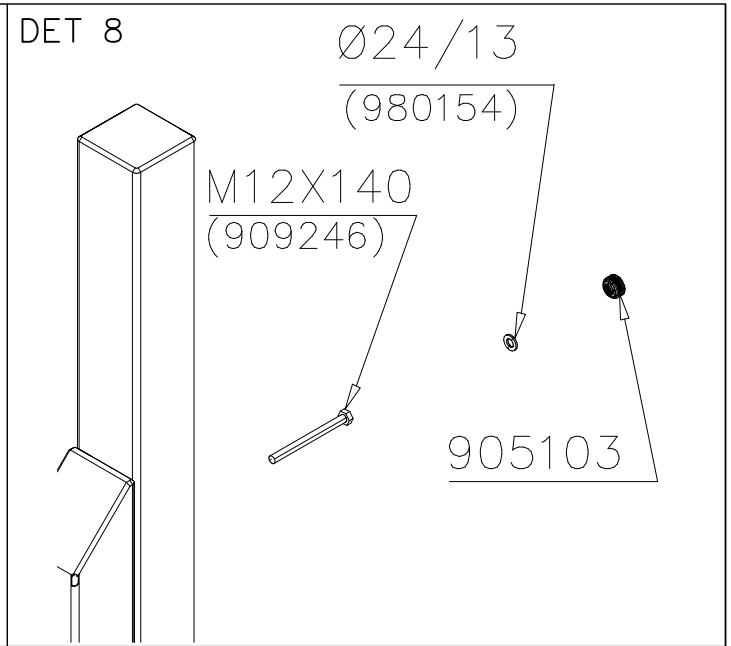
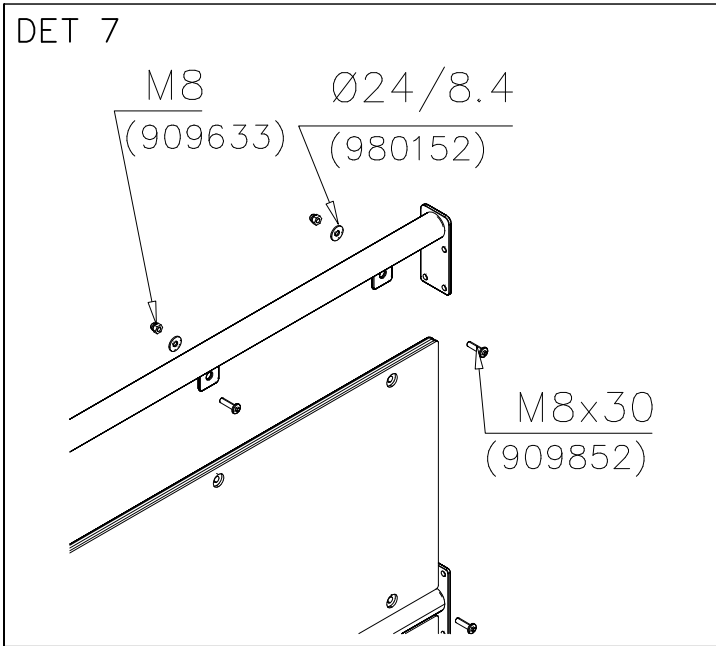
DET 5



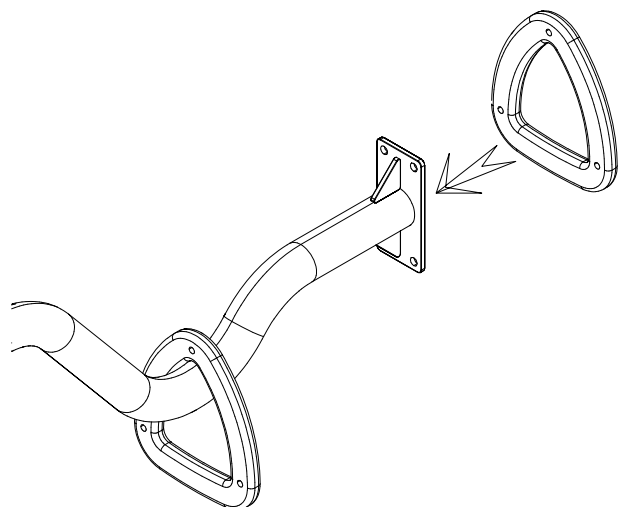
DET 6



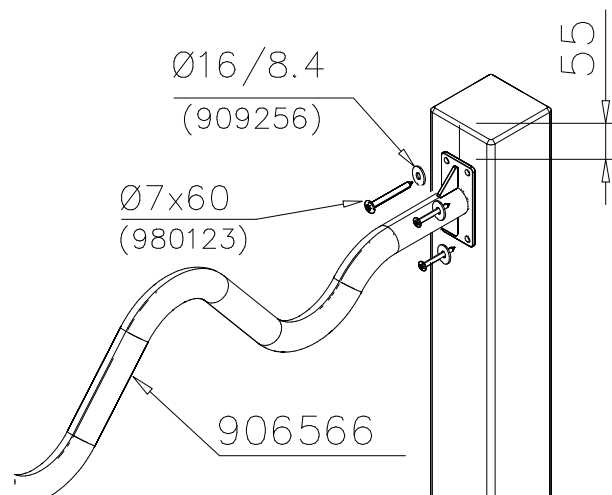




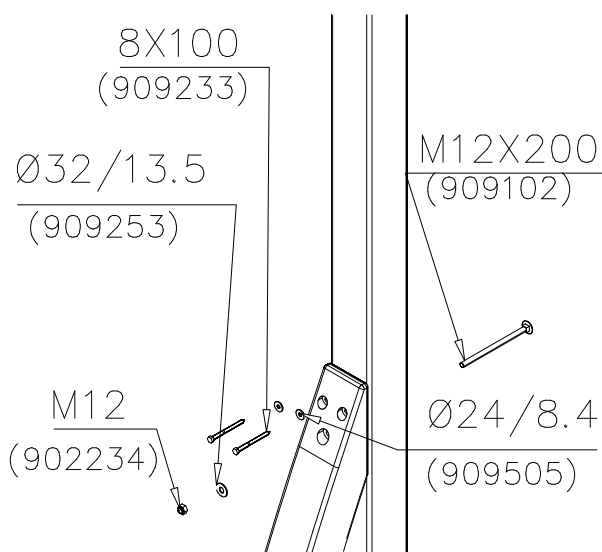
DET 13



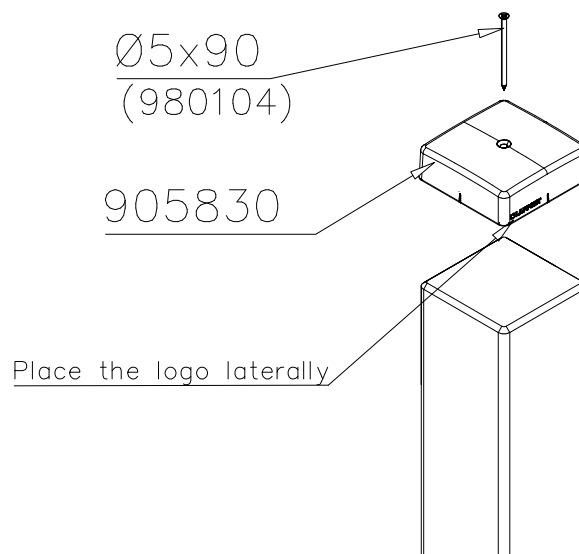
DET 14



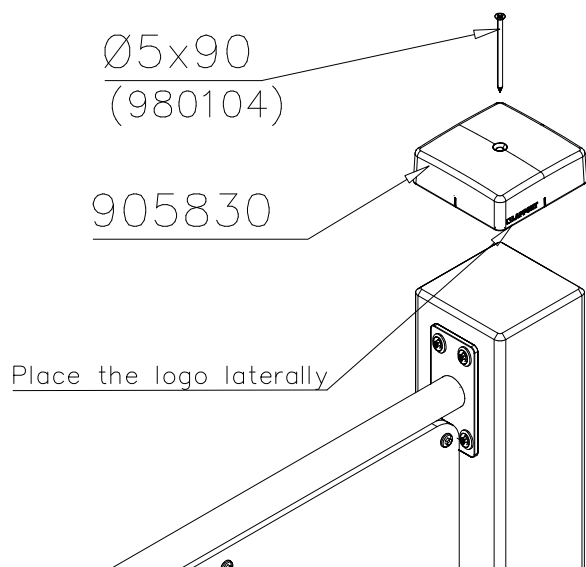
DET 15



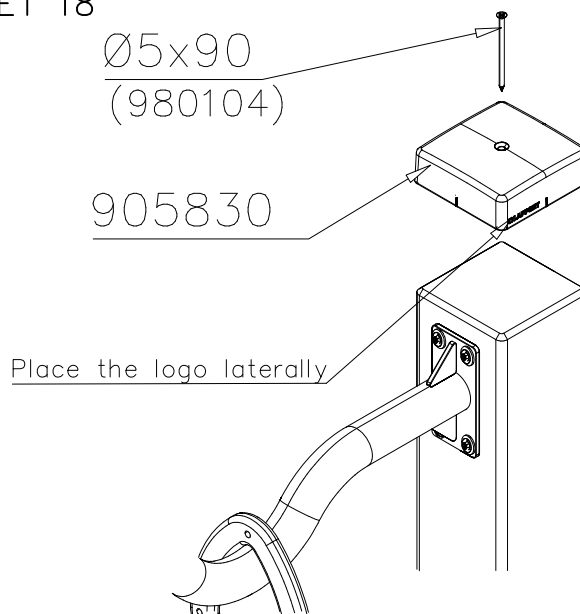
DET 16

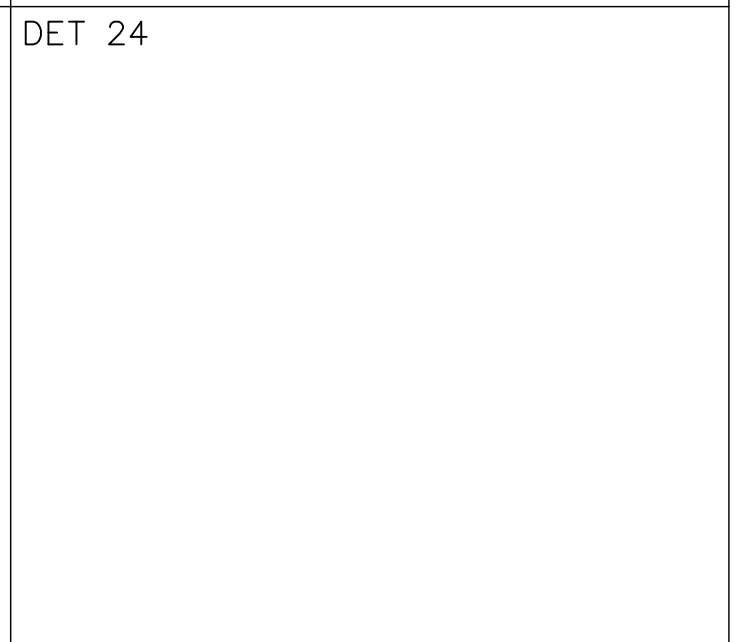
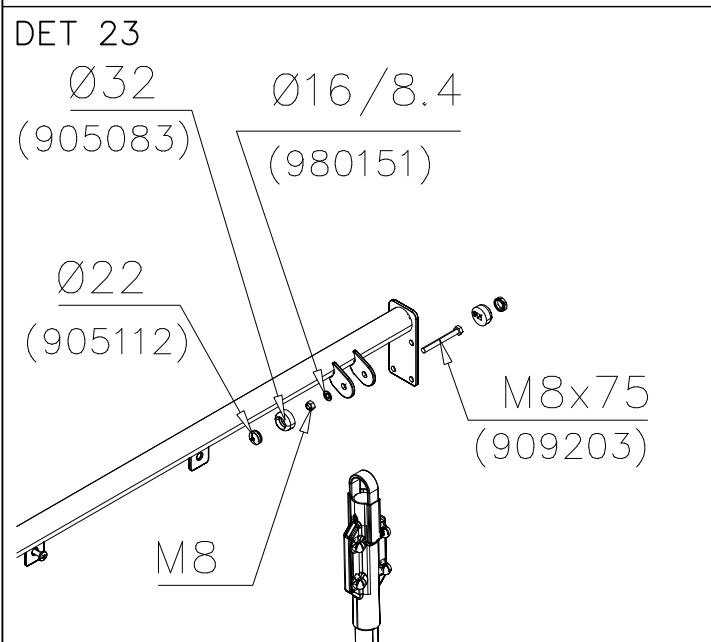
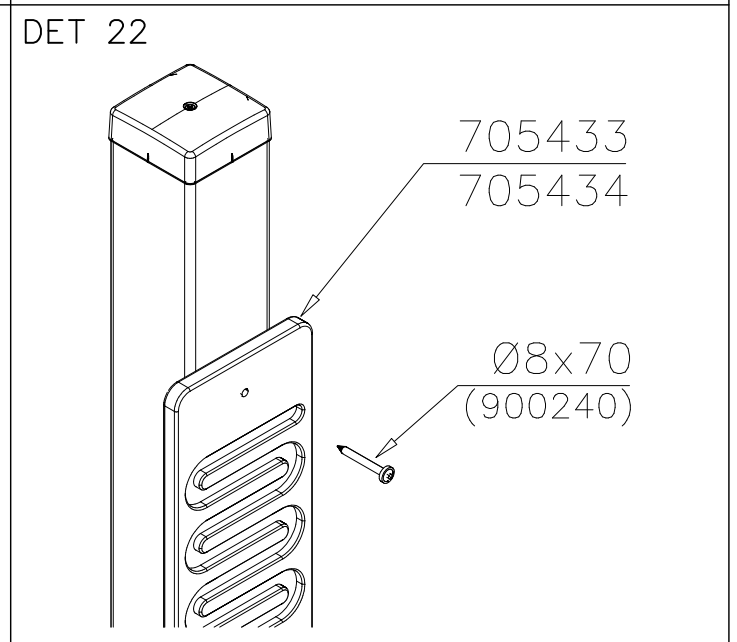
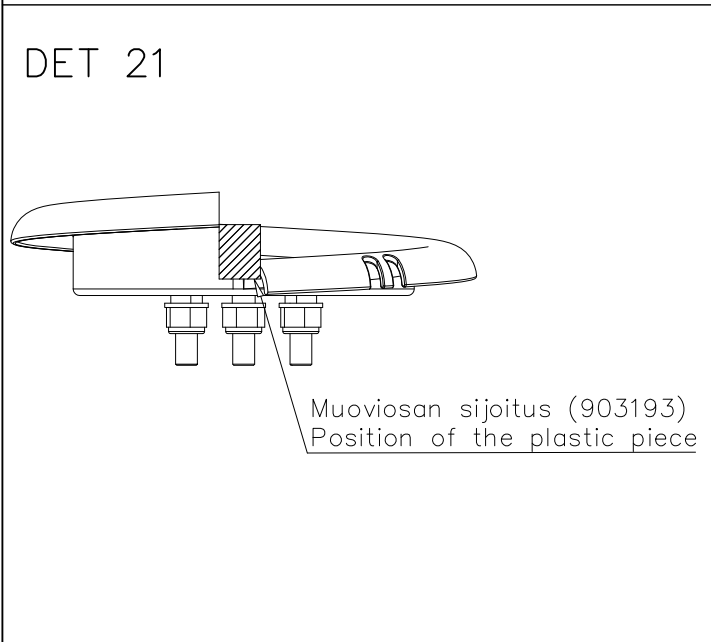
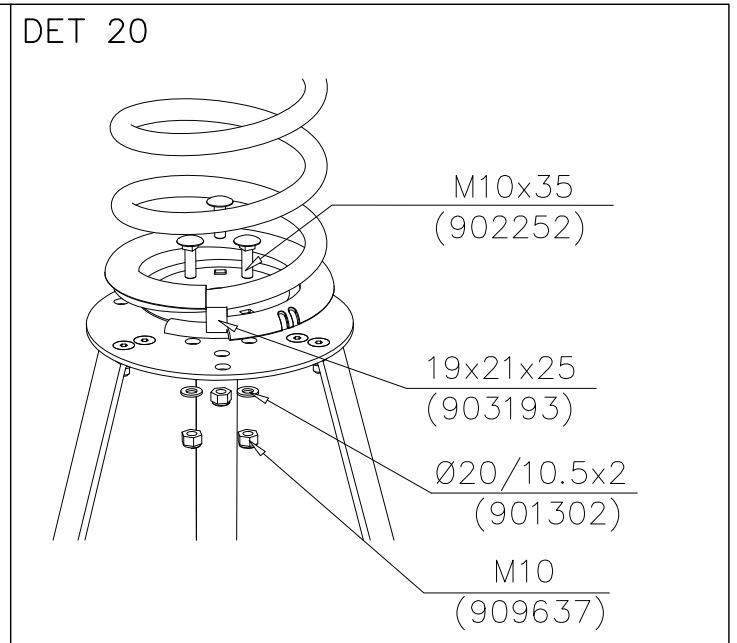
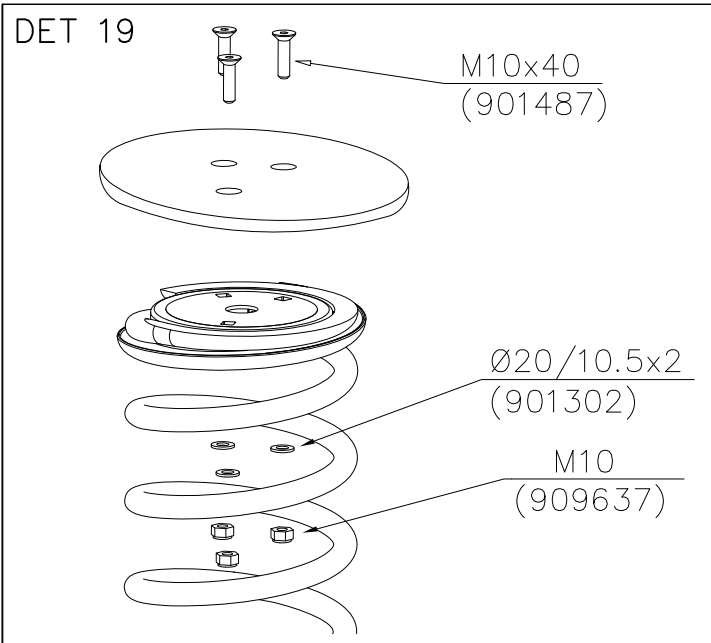


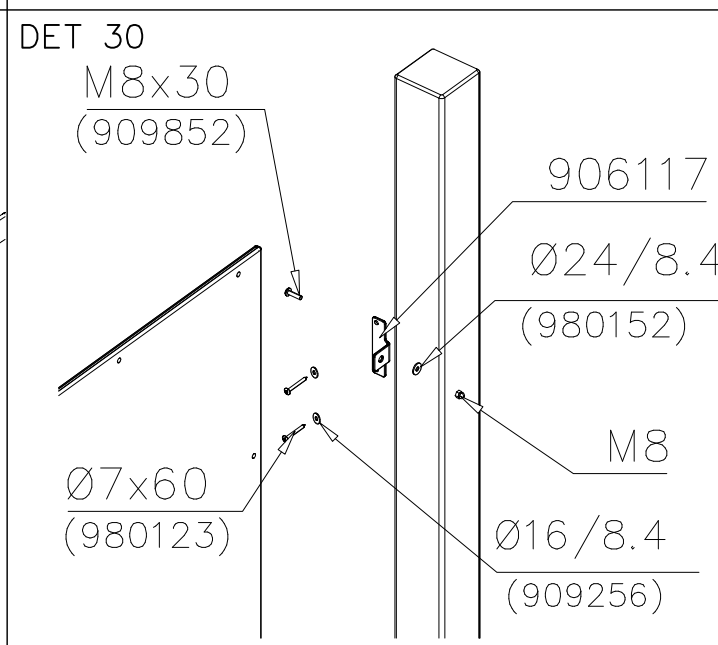
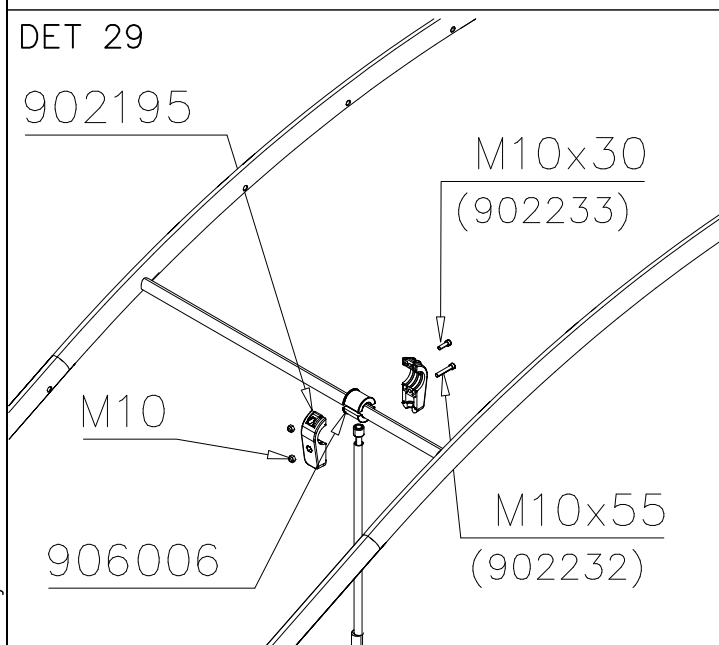
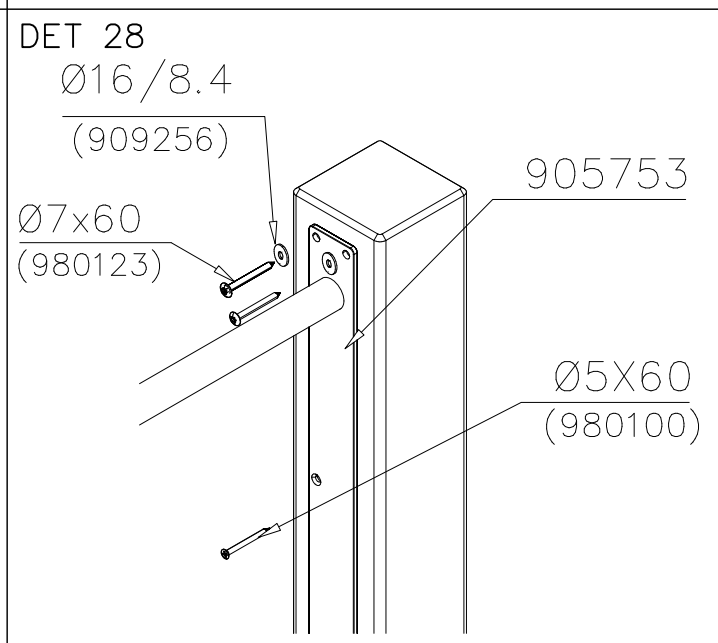
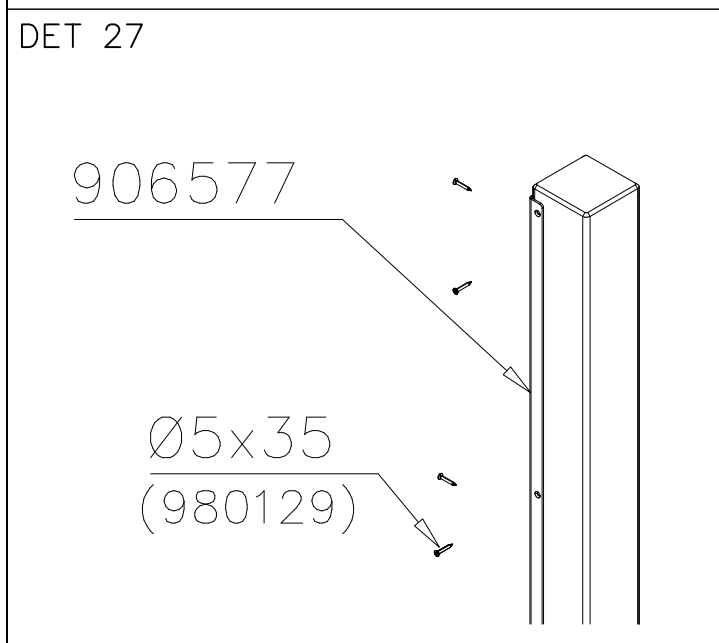
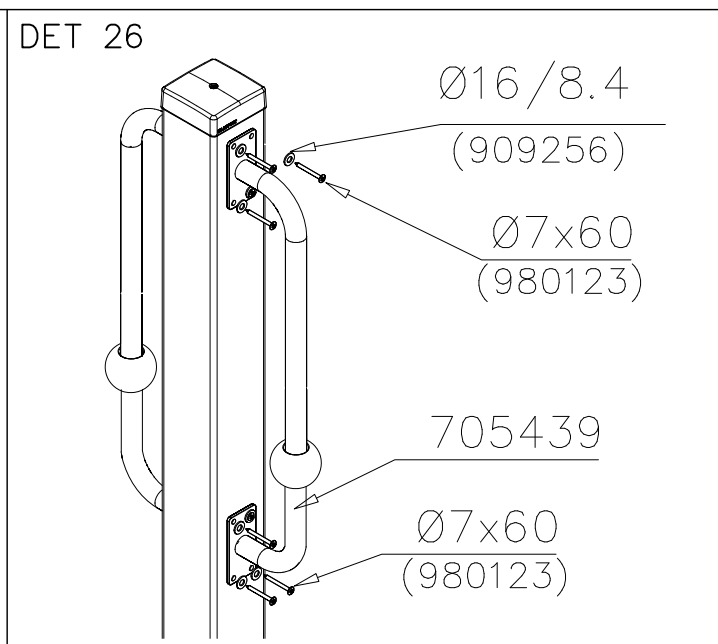
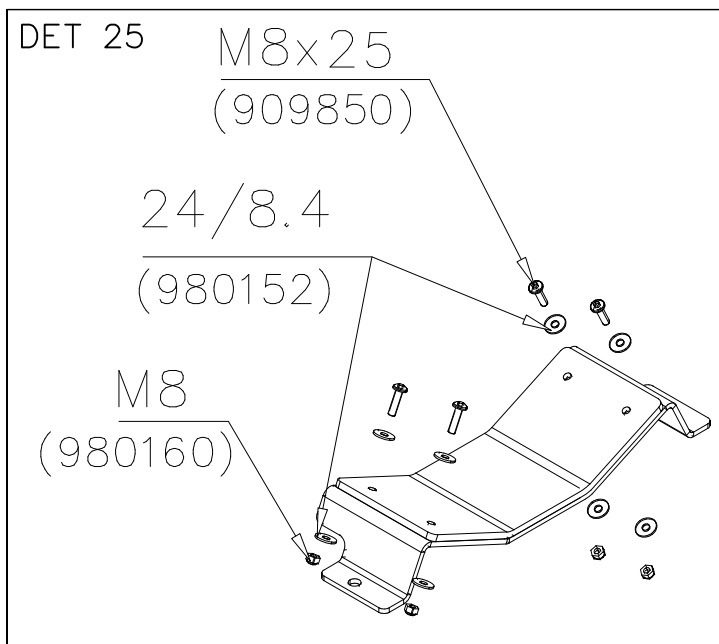
DET 17



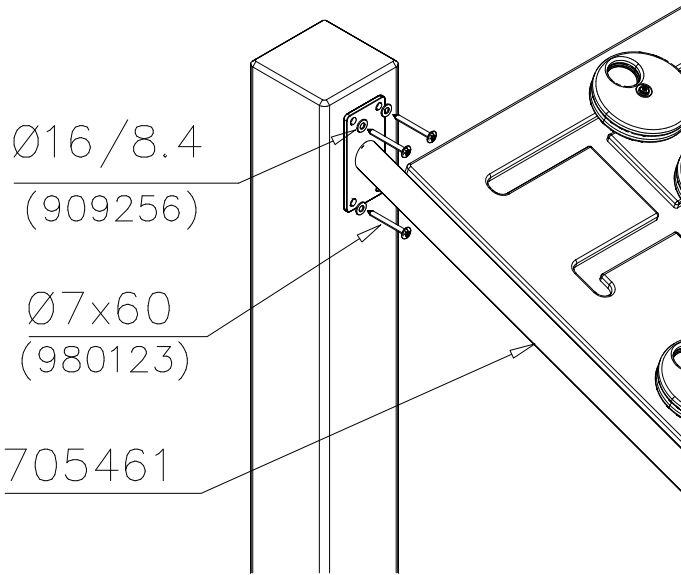
DET 18



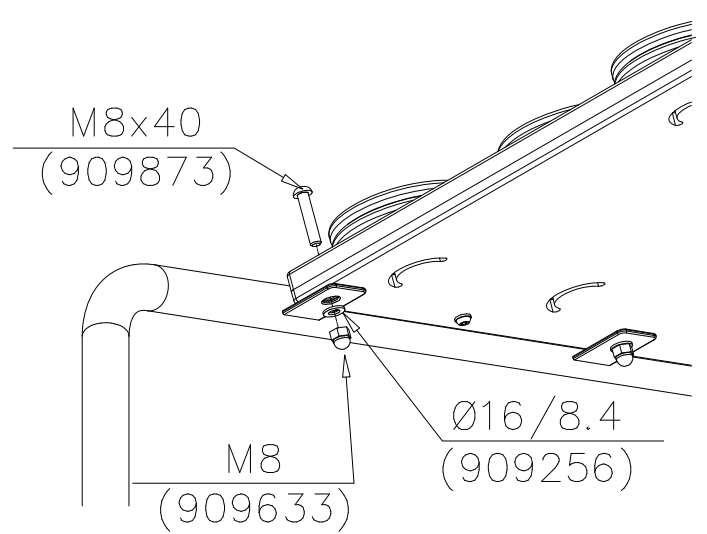




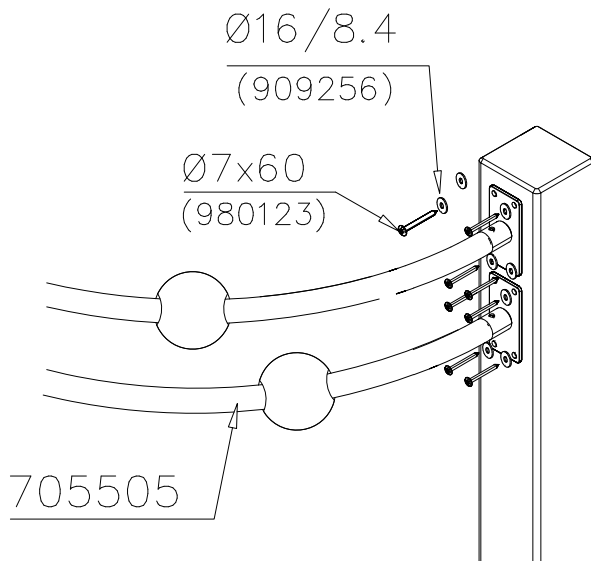
DET 31



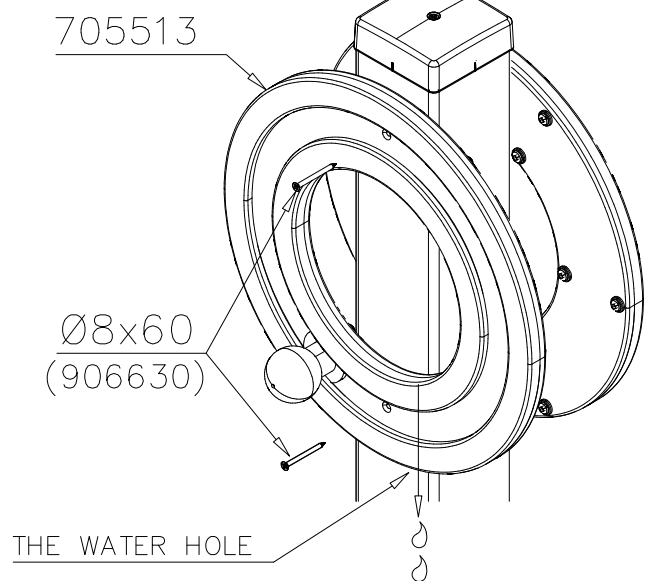
DET 32



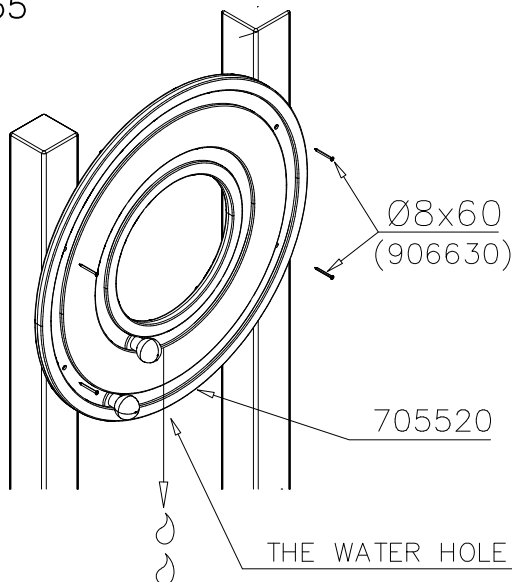
DET 33



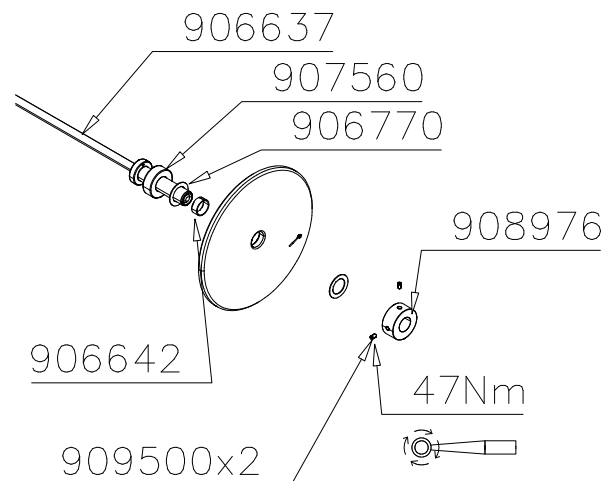
DET 34

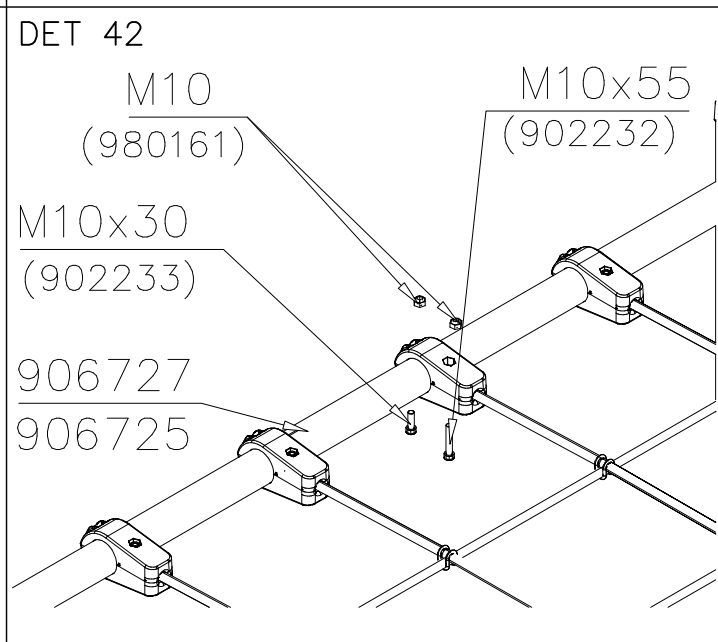
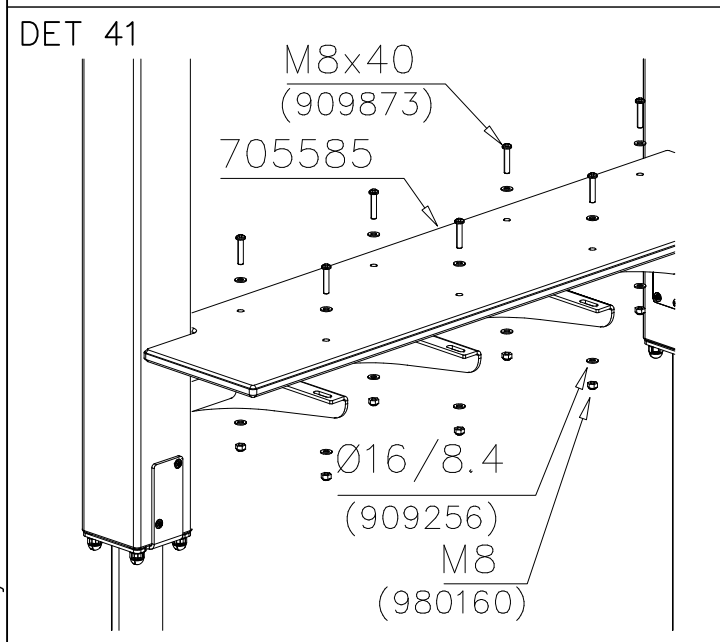
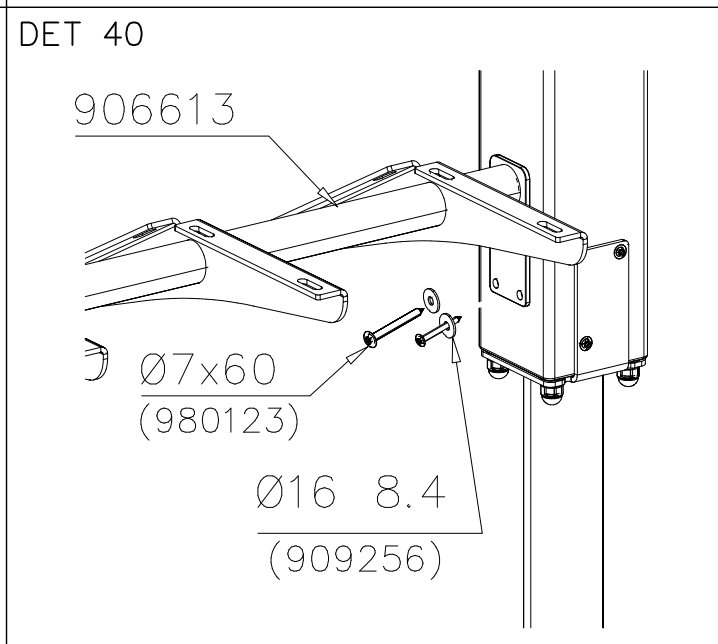
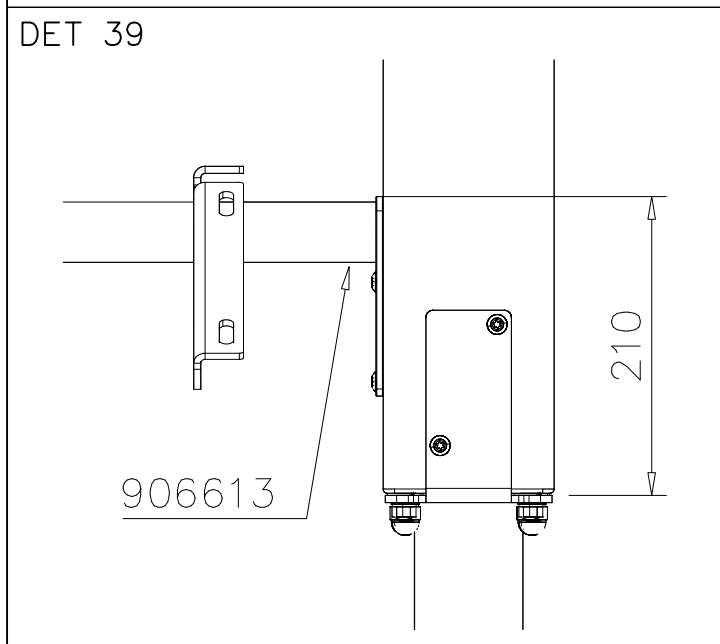
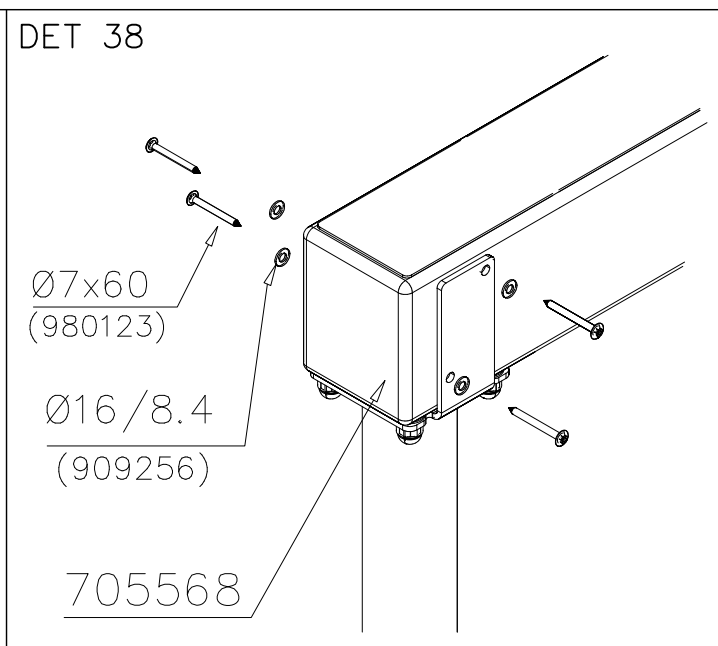
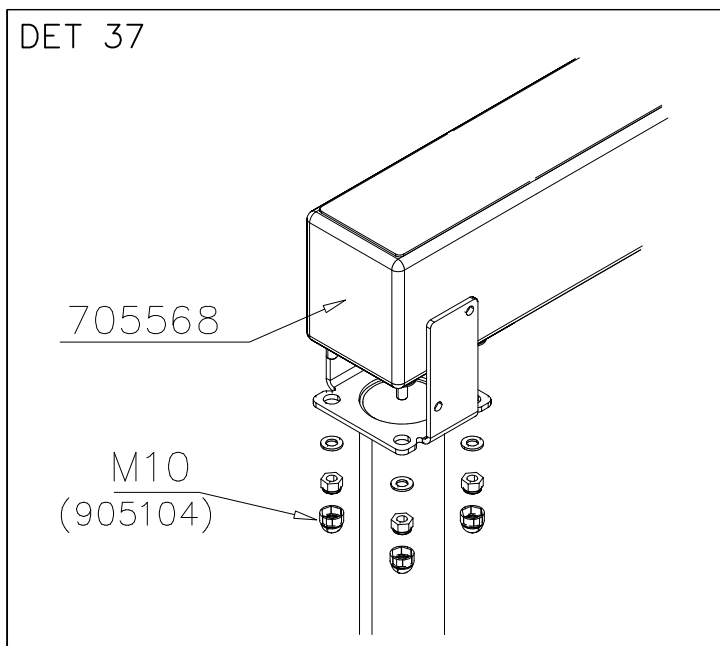


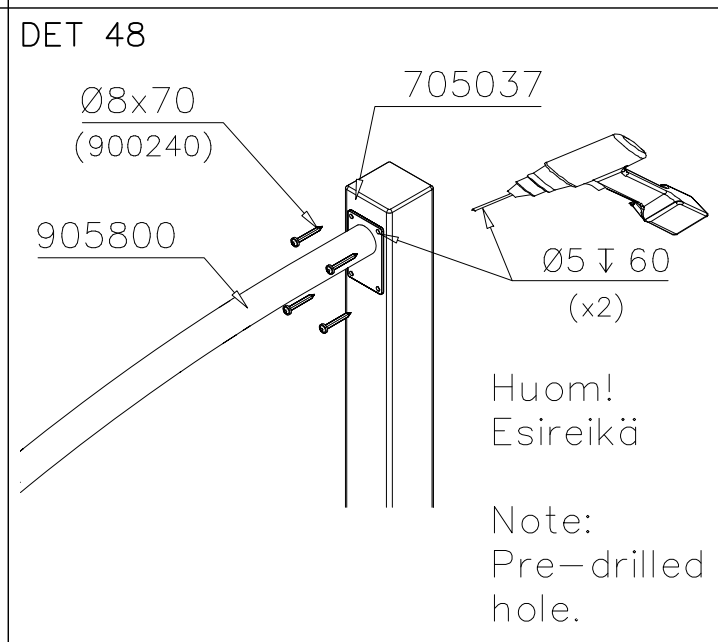
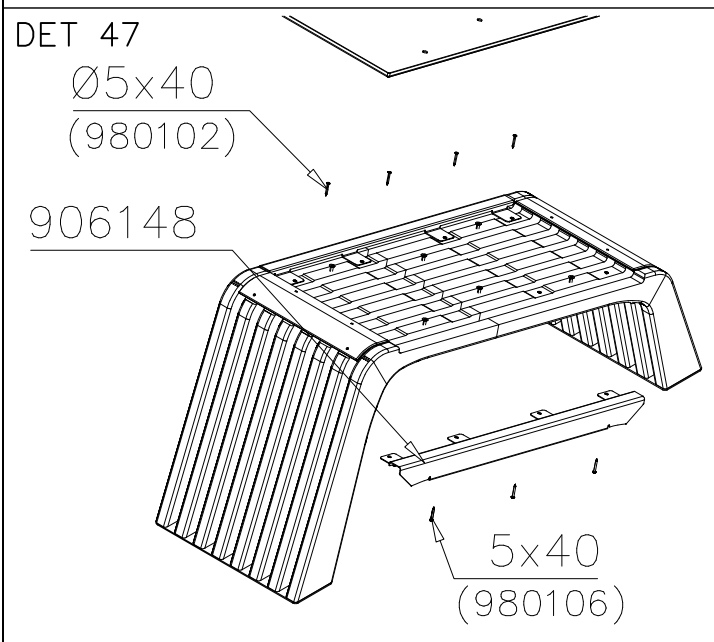
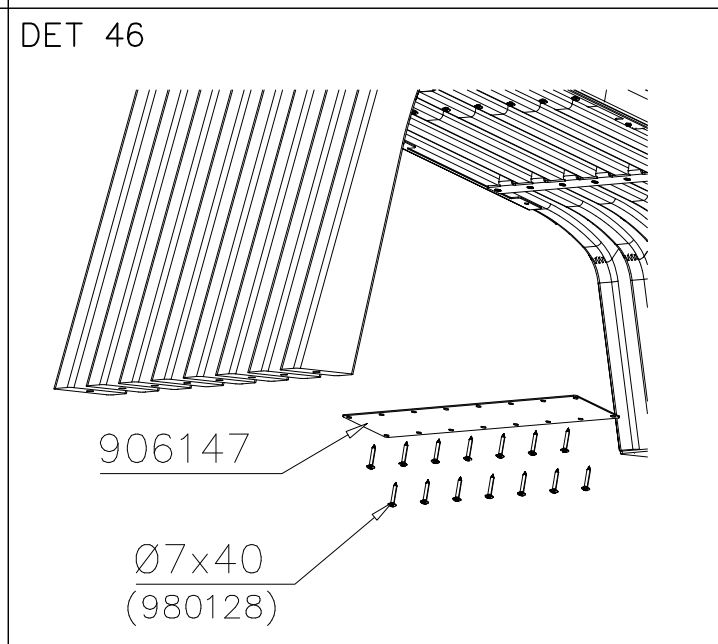
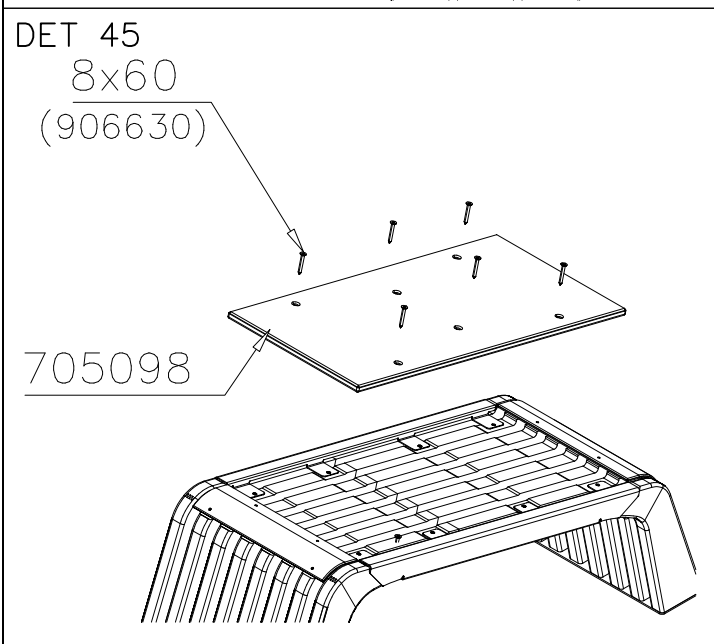
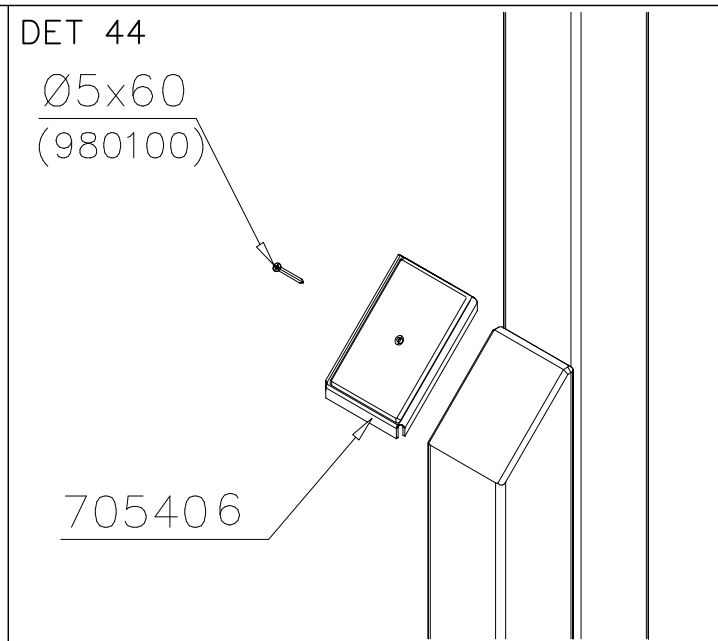
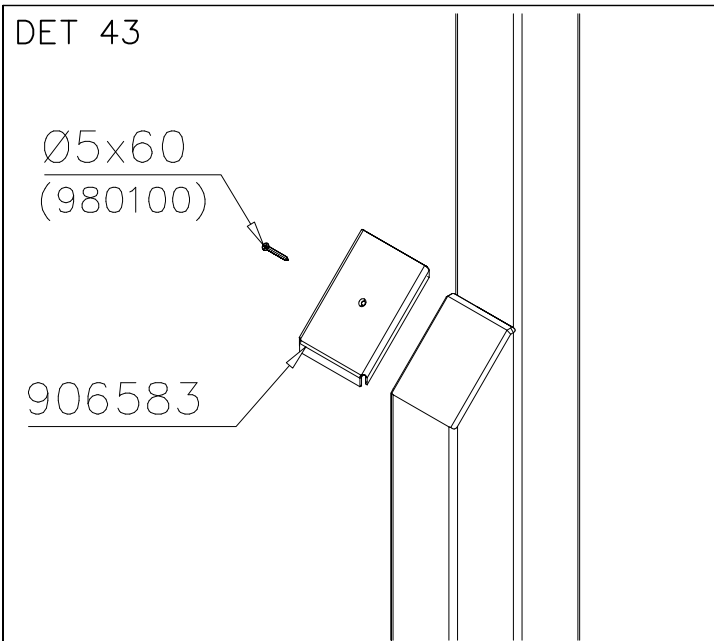
DET 35

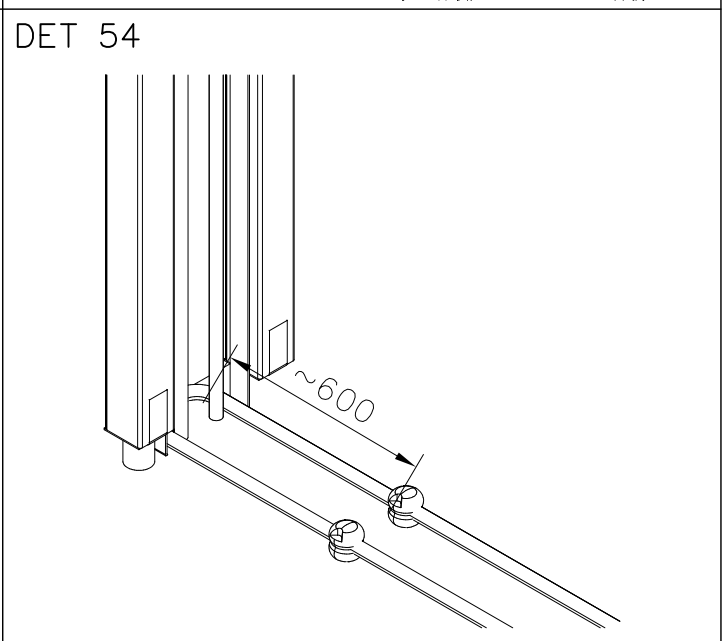
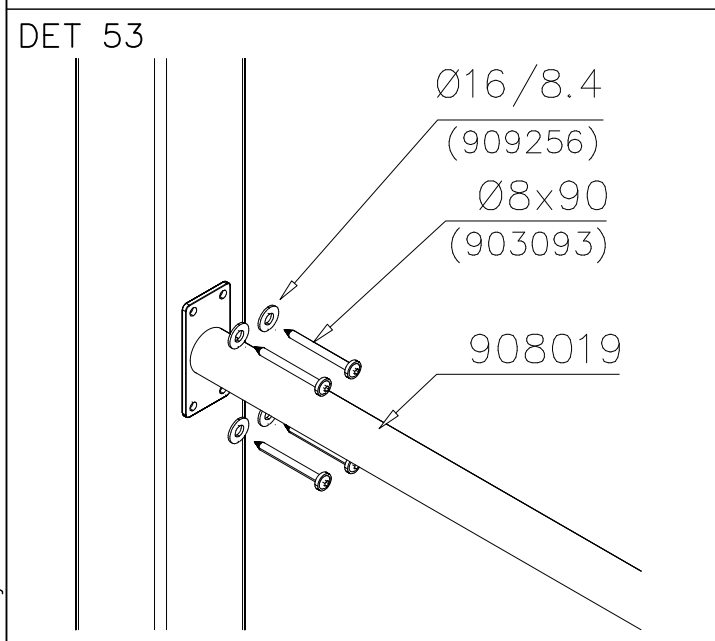
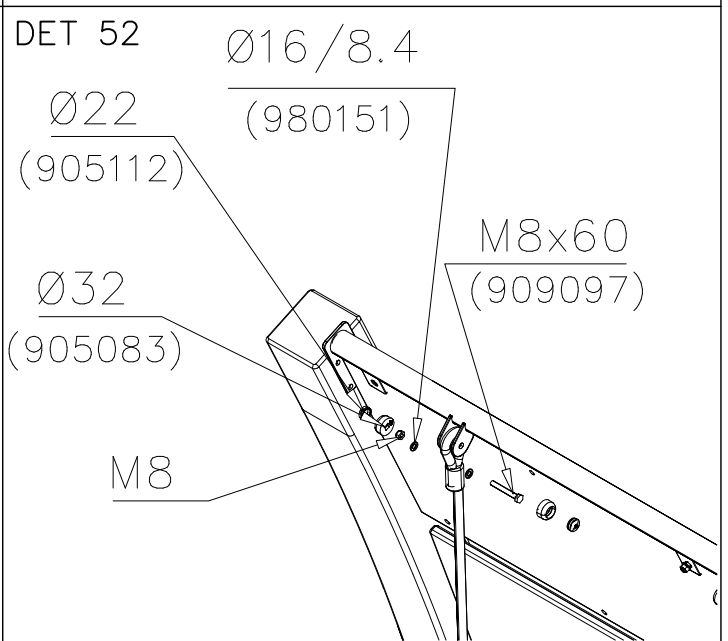
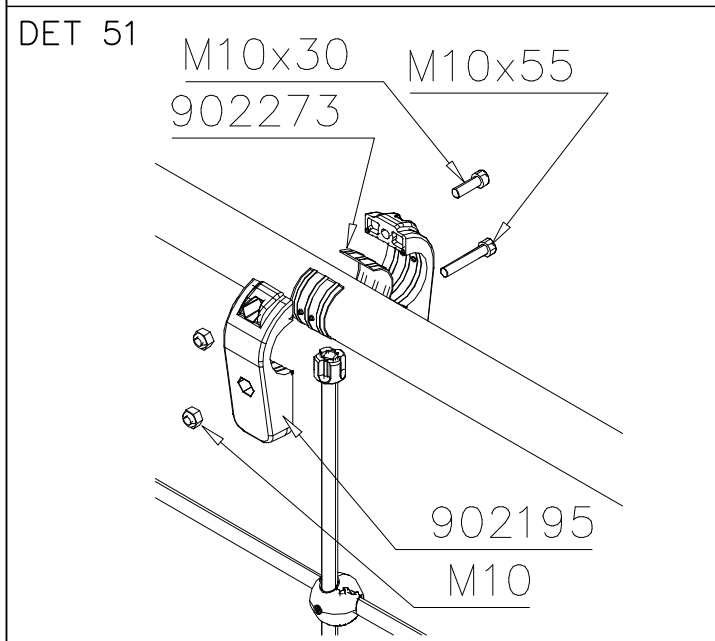
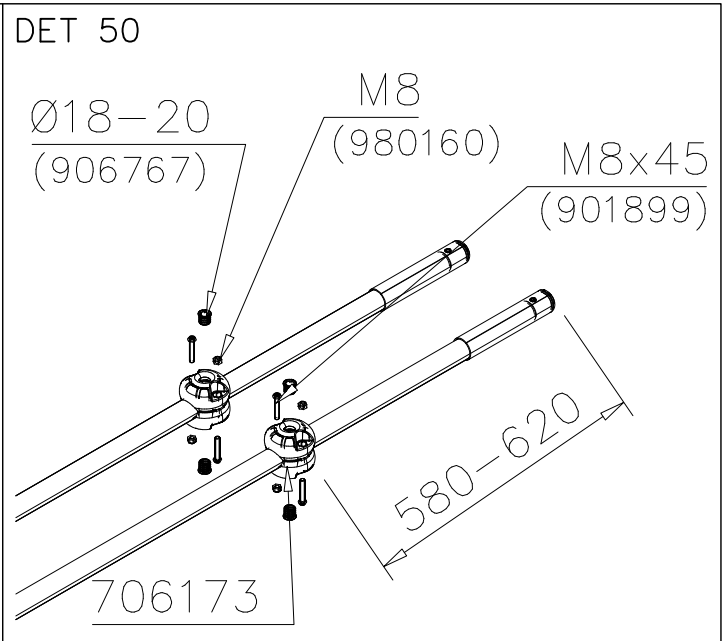
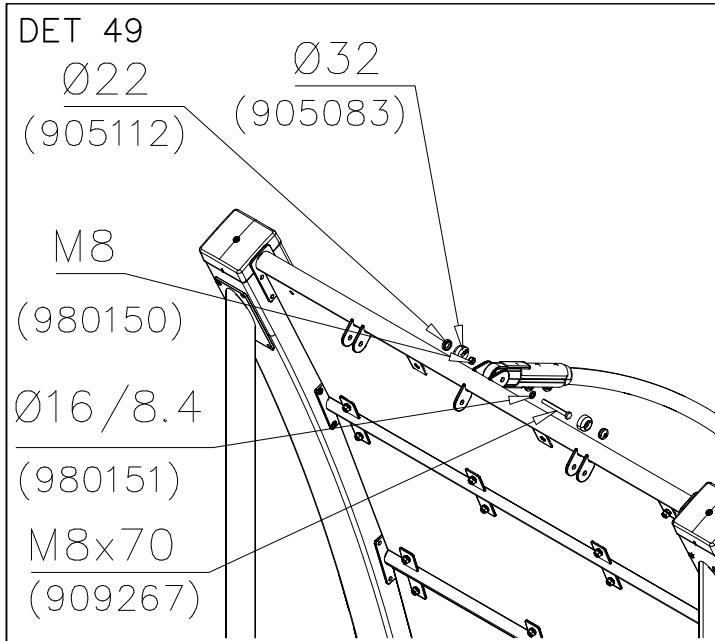


DET 36



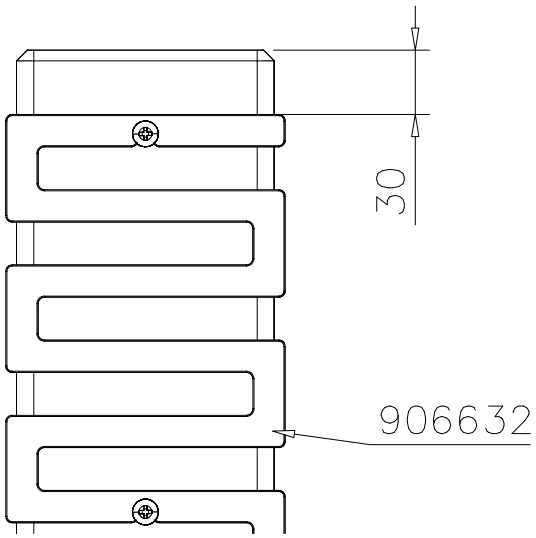




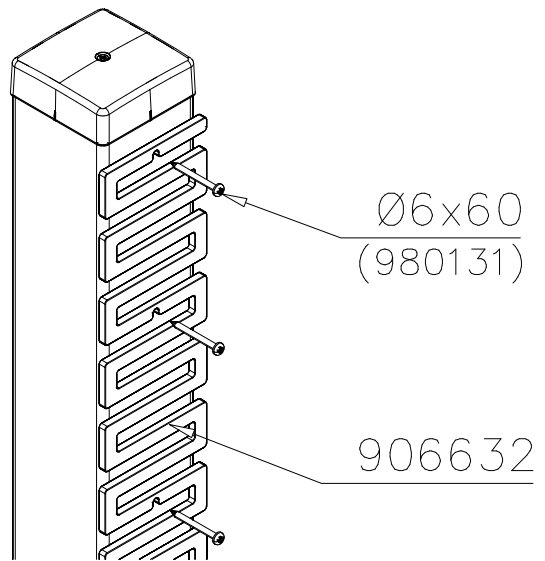




DET 55



DET 56



DET 57

DET 58

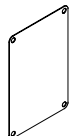

DET 59

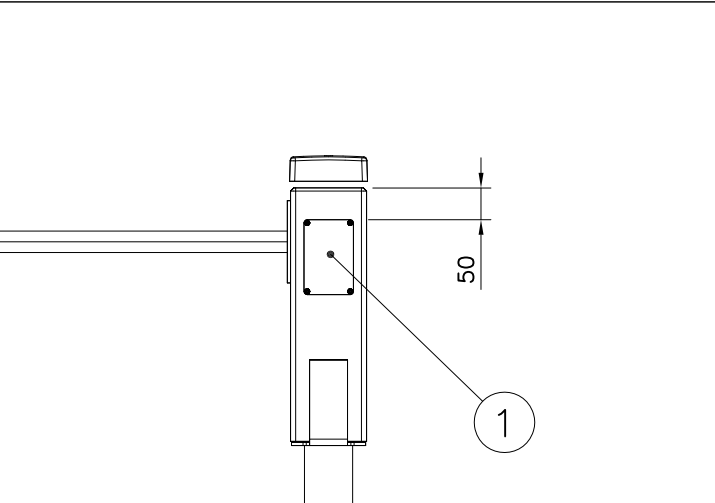
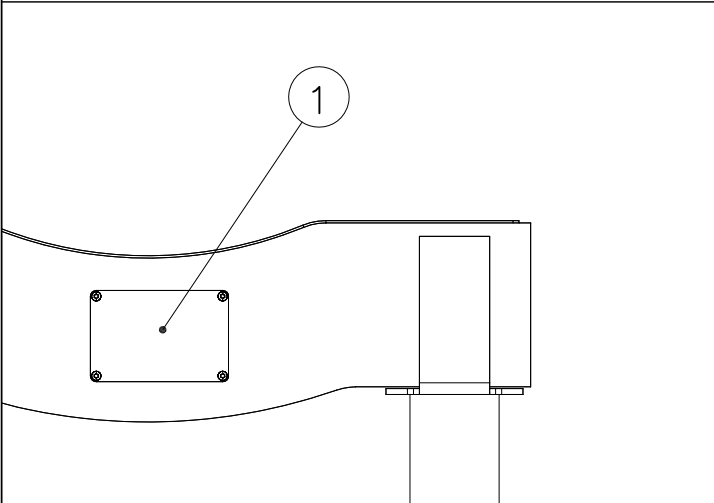
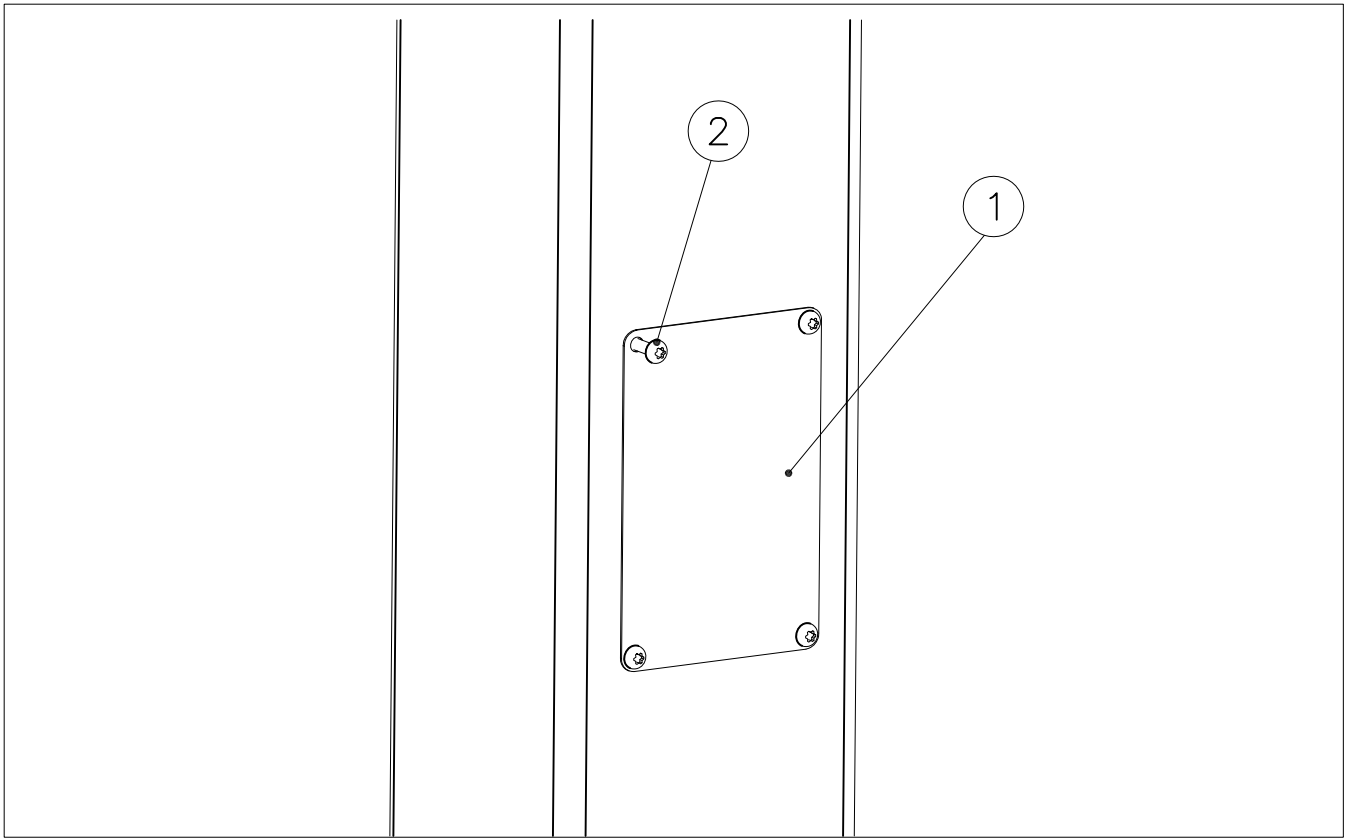
DET 60

# WINAM GROUP PRODUCT SIGN SPORT

DATE: 22.8.2017

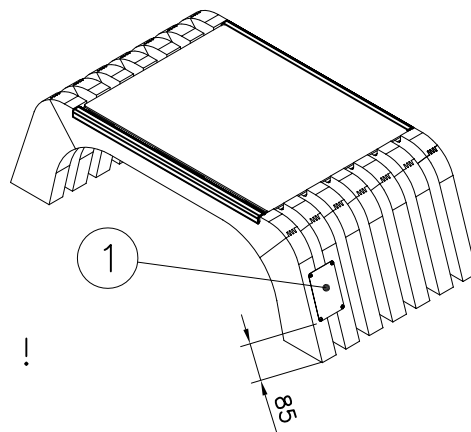
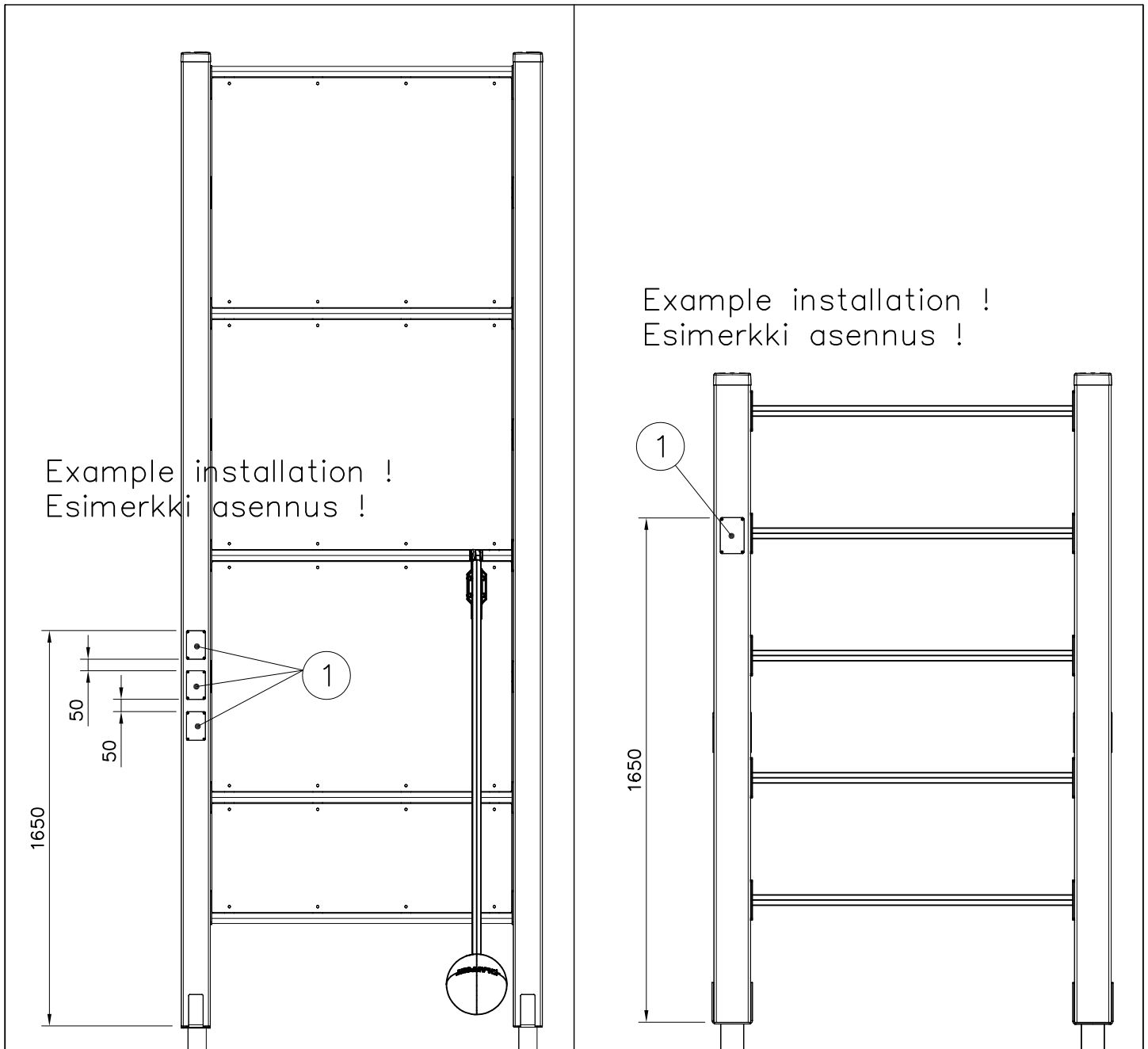


① SHEET METAL  118x78x0.7	PCS	② 980114  Ø4x20	PCS
	1		4



Example installation !  
Esimerkki asennus !

Example installation !  
Esimerkki asennus !



Example installation !  
Esimerkki asennus !