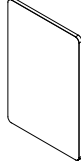
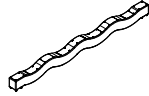

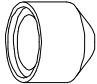



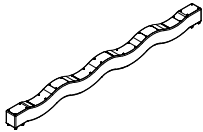
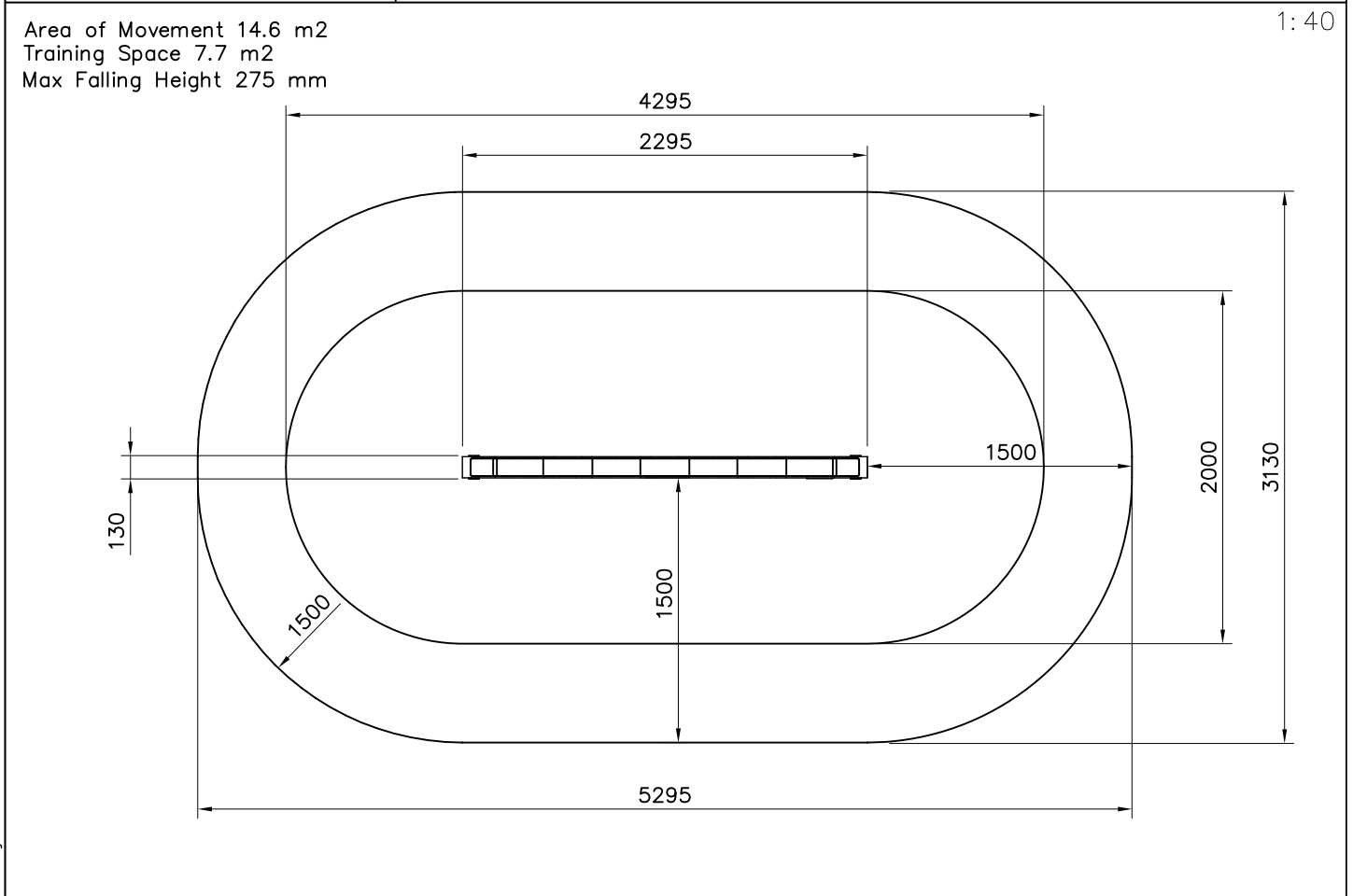
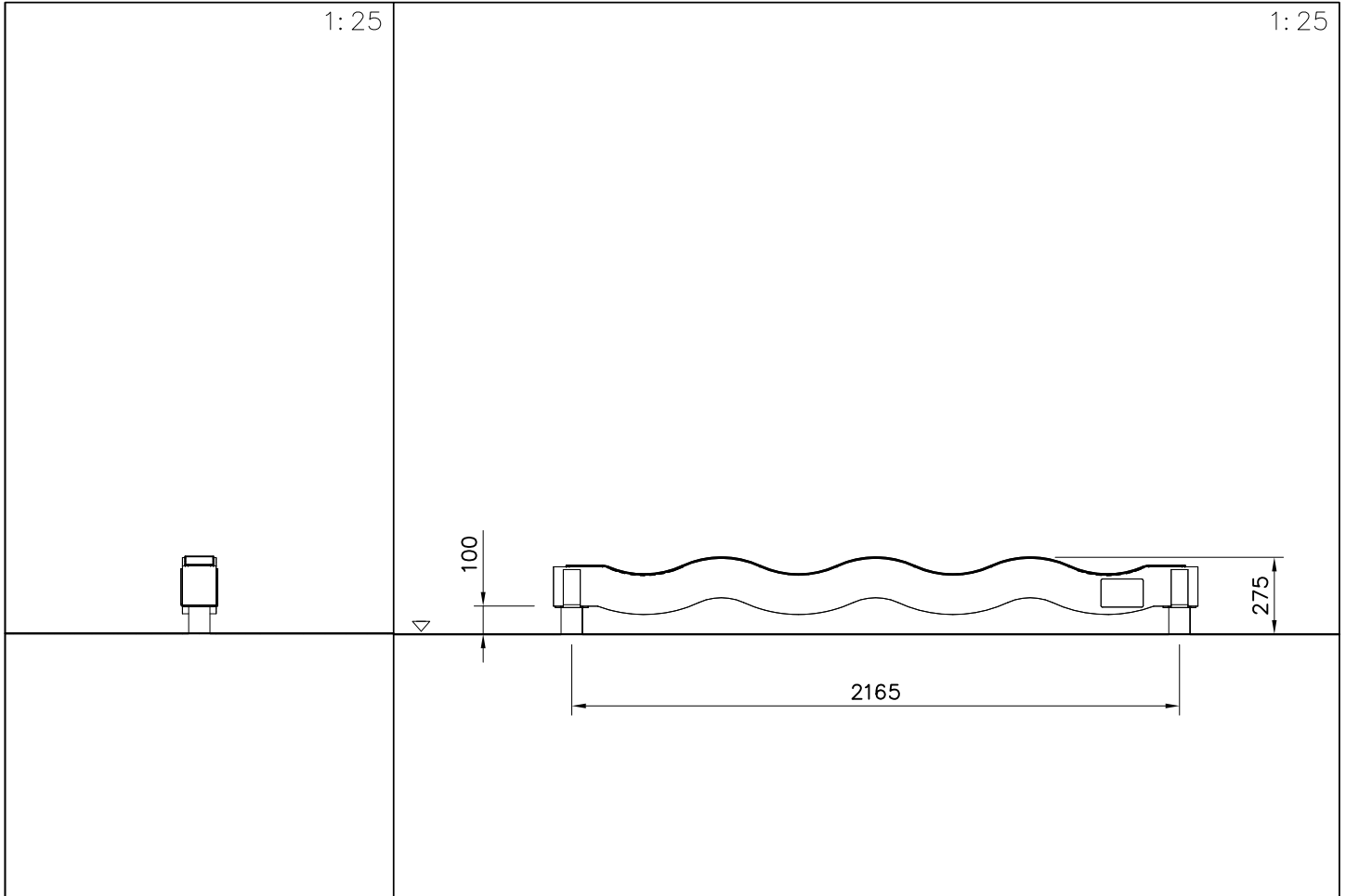
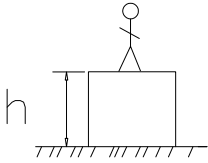



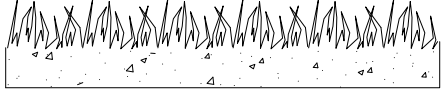
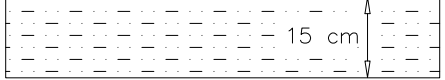
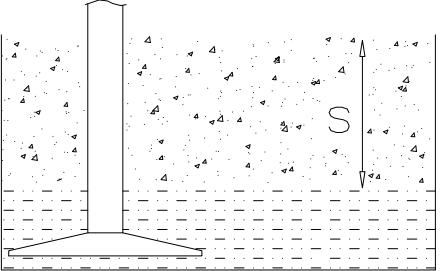
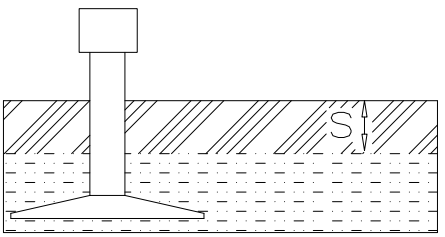


①	706041	PCS	②	705590	PCS
		1			1
				120x200x2294	
③	980114	PCS	④	905104	PCS
		4			8
	Ø4x20			M10	
⑤	905761	PCS	⑥	980123	PCS
		2			8
	120x120x700			Ø7x60	
⑦	909256	PCS			PCS
		8			
	Ø16/8.4				
		PCS			PCS
		PCS			PCS

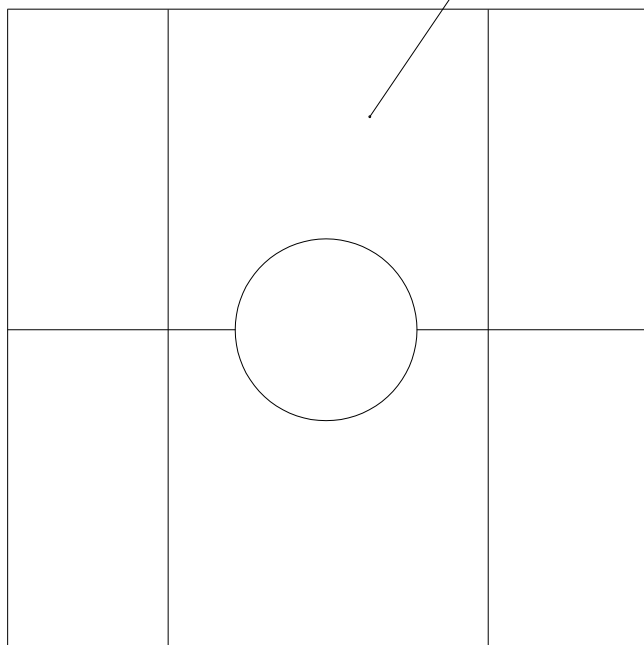
Boom options:

	705590-602	Dark Brown
	705590-603	Light Brown
	705590-604	Gray
120x200x2294		

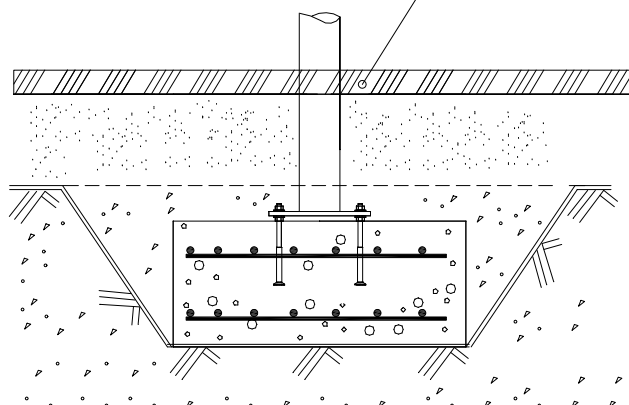


												
<p>$h < 600$</p> <p>Without movement and therefore without Impact Area</p>	<p>Totally hard surfaces.</p> <p>Note. Lappset does <u>not recommend</u> totally hard surfaces at all.</p>	<p>E.g. concrete or asphalt</p> 										
<p>$h < 600$</p> <p>With movement e.g. rocking</p>	<p>Materials with very limited impact attenuating properties.</p>	<p>E.g. wood</p> 										
<p>$h < 1000$</p>	<p>Materials with significant impact attenuating properties.</p>	<p>fine gravel 0–8 mm</p>  <p>grass</p>  <p>unsorted sand</p> 										
<p>$h < 3000$</p>	<p>Loose fill material</p> <p>E.g. sand/gravel 0,25...8 mm D60/D10<3,0 Woodchips 5...30 mm bark 20...80 mm</p>	 <table data-bbox="1021 1691 1324 1792"> <tr> <td>\underline{S}</td> <td>\underline{h}</td> </tr> <tr> <td>30 cm</td> <td>< 2,0 m</td> </tr> <tr> <td>40 cm</td> <td>< 3,0 m</td> </tr> </table>	\underline{S}	\underline{h}	30 cm	< 2,0 m	40 cm	< 3,0 m				
\underline{S}	\underline{h}											
30 cm	< 2,0 m											
40 cm	< 3,0 m											
	<p>Syntethic granulates</p> <table data-bbox="399 1892 750 2060"> <tr> <td>\underline{S}</td> <td>\underline{h}</td> </tr> <tr> <td>40 mm</td> <td>~> 1,2...1,3 m</td> </tr> <tr> <td>50 mm</td> <td>~> 1,5...1,7 m</td> </tr> <tr> <td>60 mm</td> <td>~> 1,8...2,0 m</td> </tr> <tr> <td>70 mm</td> <td>~> 2,1...2,5 m</td> </tr> </table> <p>Note. For accurate values, see manufacturer's instructions.</p>	\underline{S}	\underline{h}	40 mm	~> 1,2...1,3 m	50 mm	~> 1,5...1,7 m	60 mm	~> 1,8...2,0 m	70 mm	~> 2,1...2,5 m	
\underline{S}	\underline{h}											
40 mm	~> 1,2...1,3 m											
50 mm	~> 1,5...1,7 m											
60 mm	~> 1,8...2,0 m											
70 mm	~> 2,1...2,5 m											

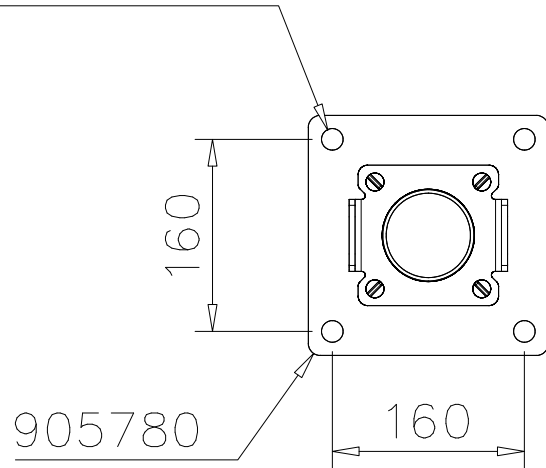
REMOVE SAFETY SURFACE/SAND/GRAVEL
TO CHECK FOUNDATION



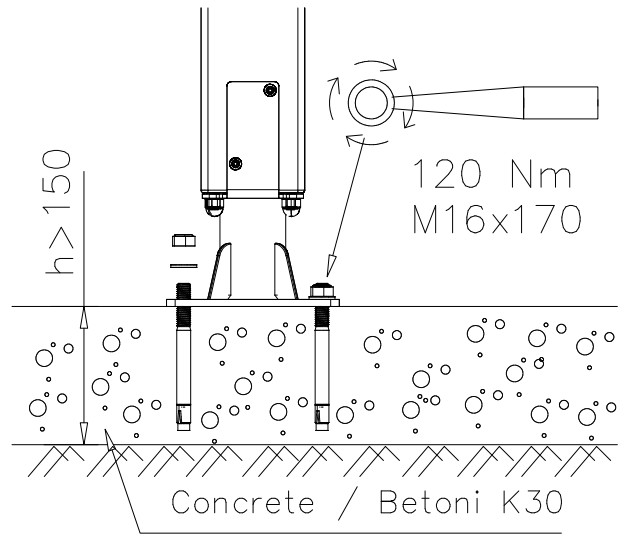
REMOVE SAFETY SURFACE/SAND/GRAVEL
TO CHECK FOUNDATION



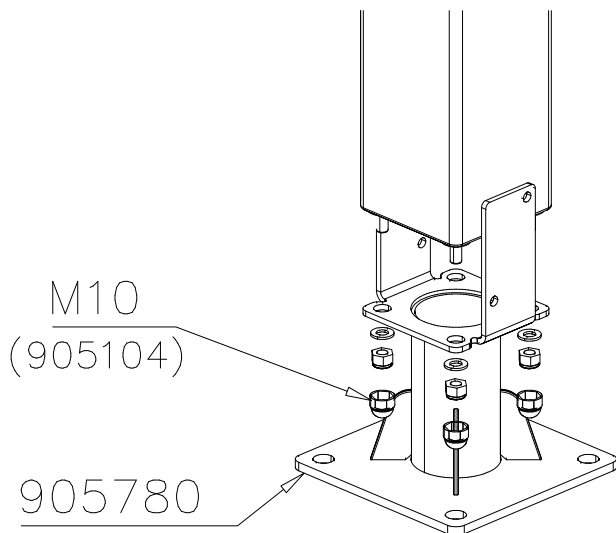
DET 1

 $\varnothing 16 \downarrow > 130$ 

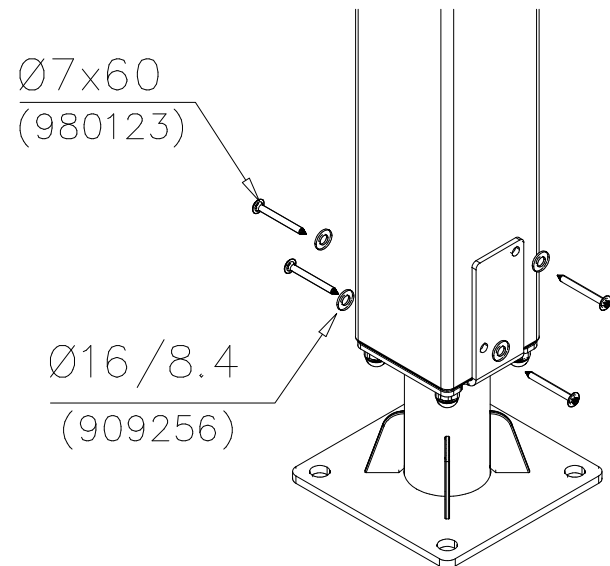
DET 2



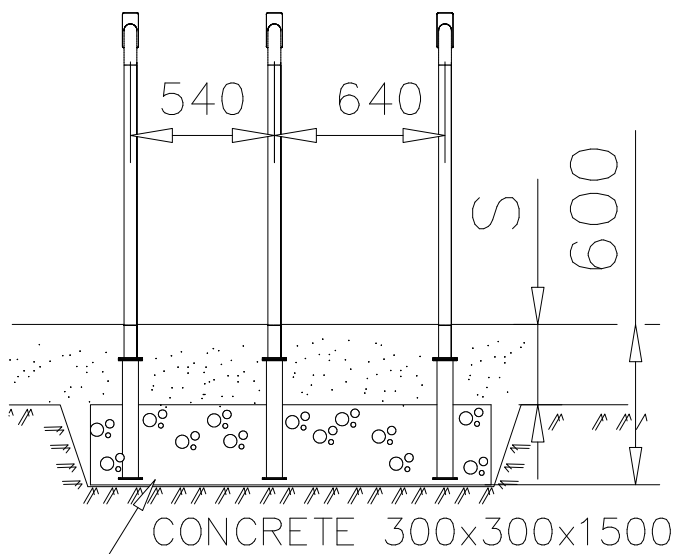
DET 3



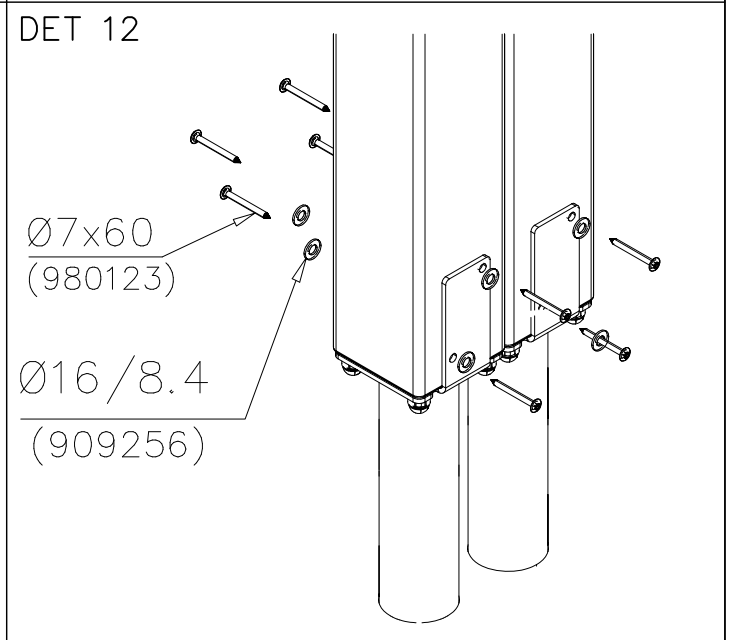
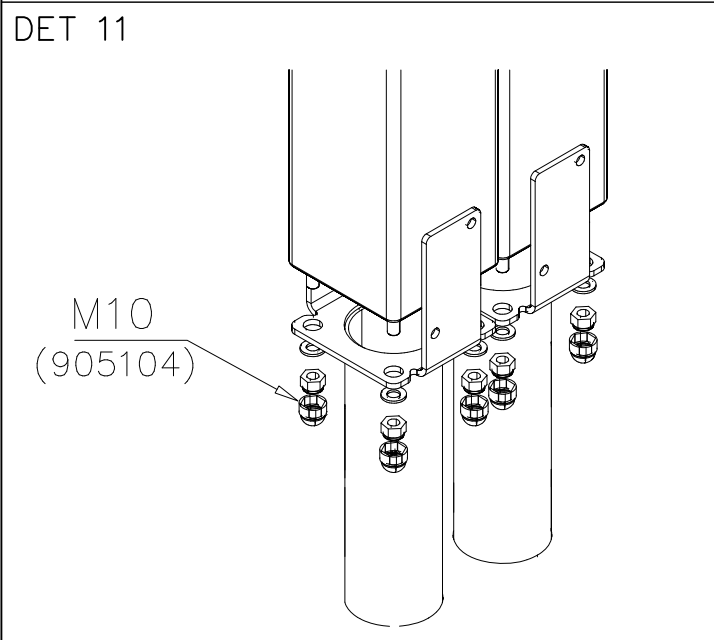
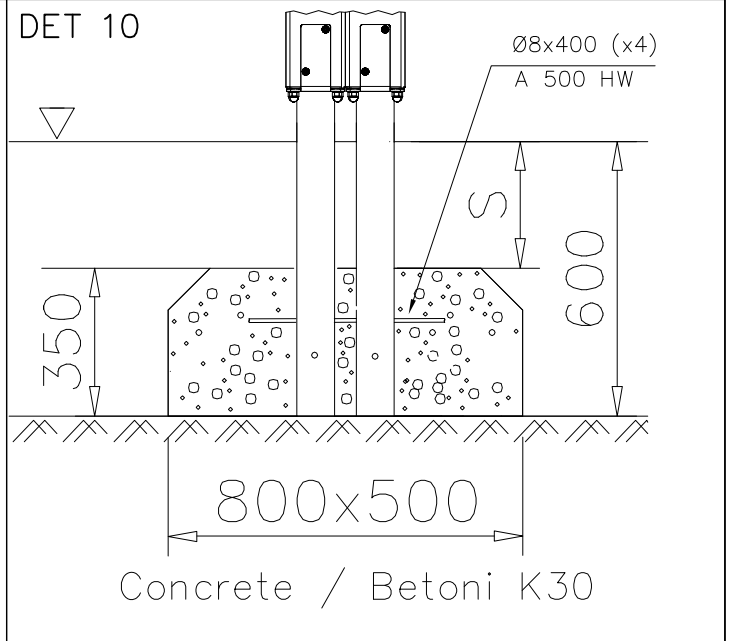
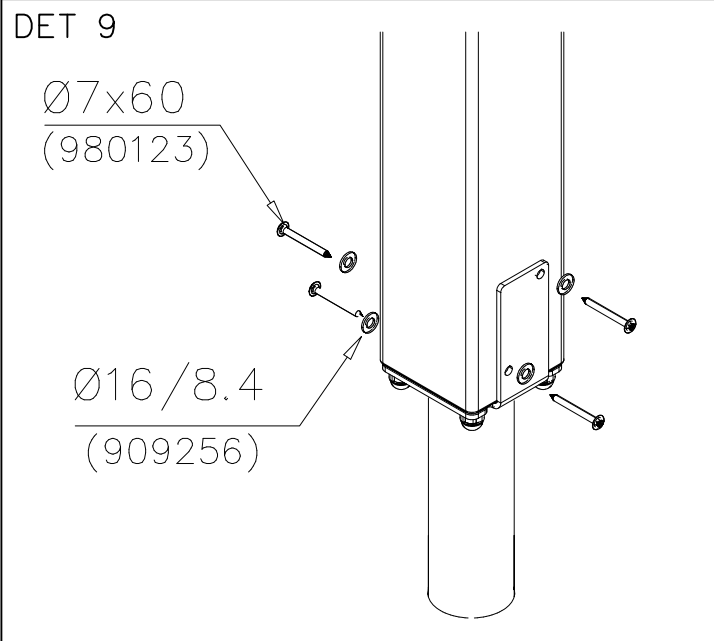
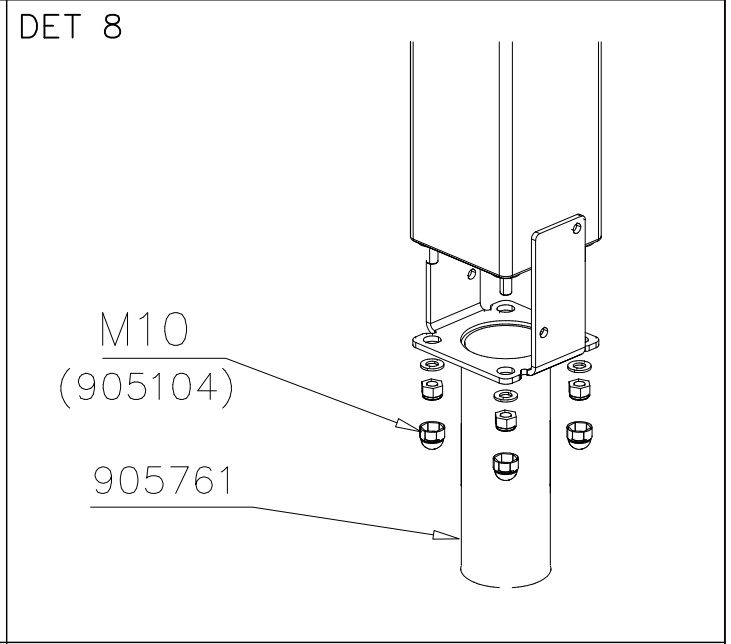
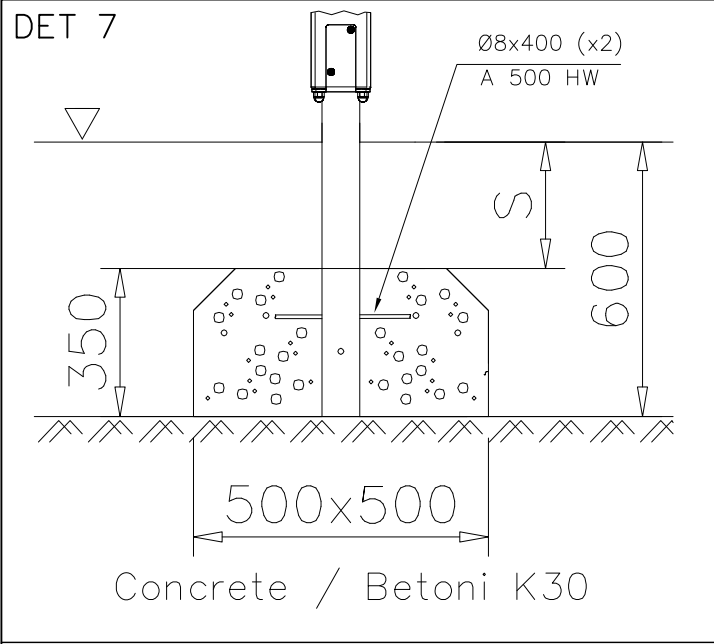
DET 4



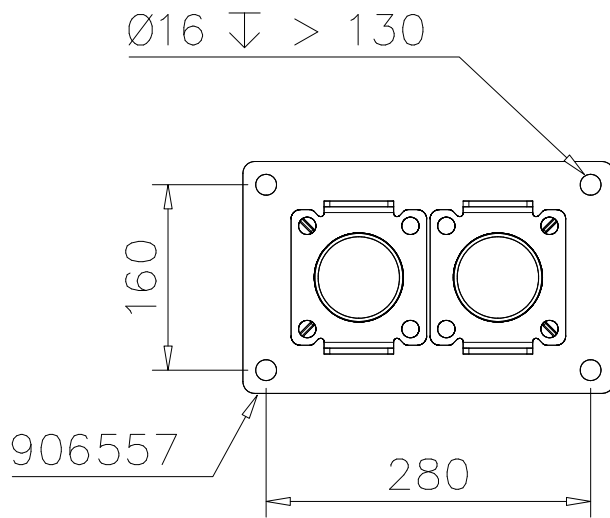
DET 5



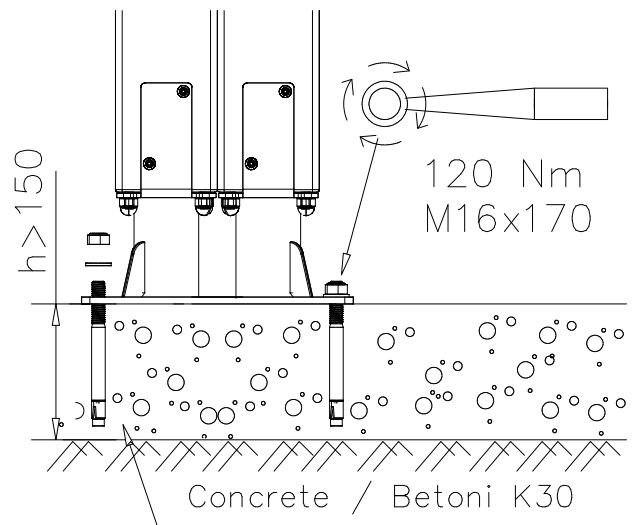
DET 6



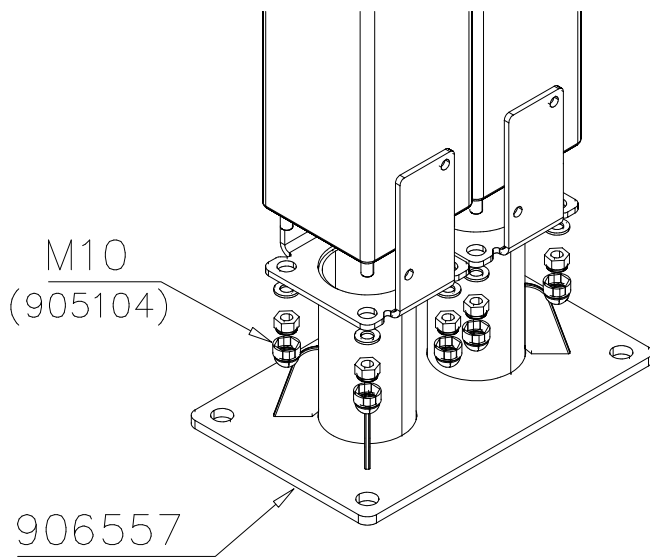
DET 13



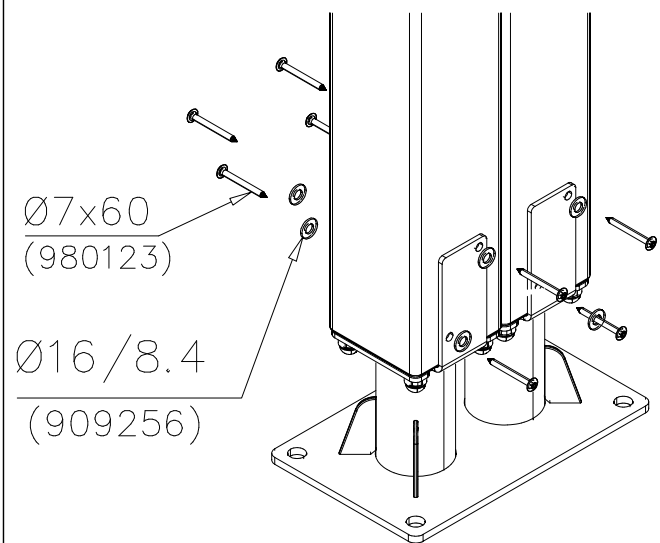
DET 14



DET 15

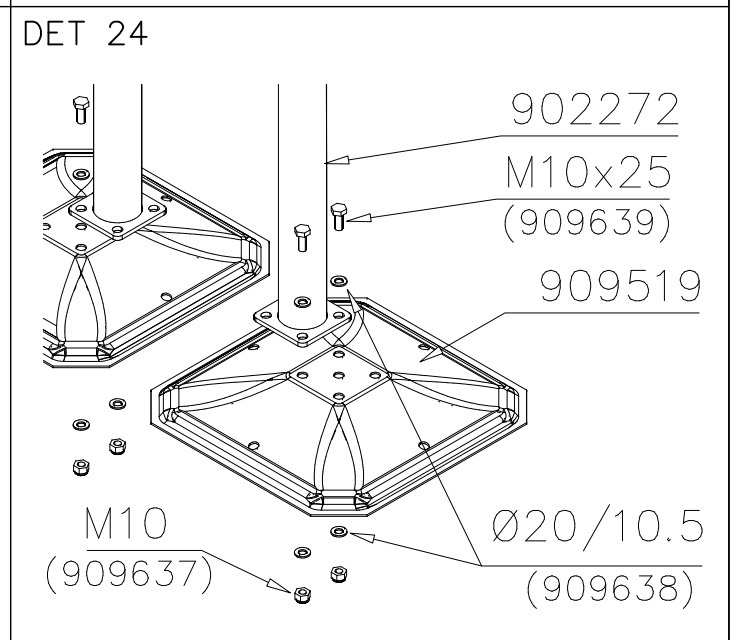
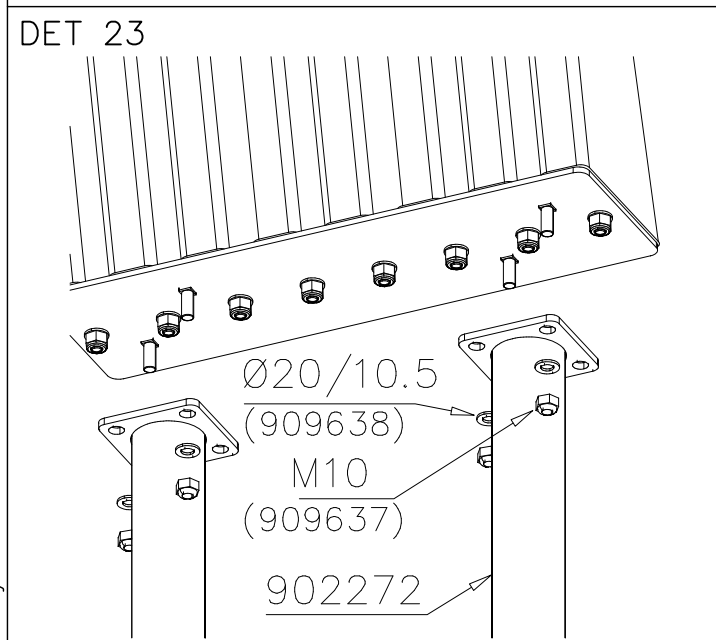
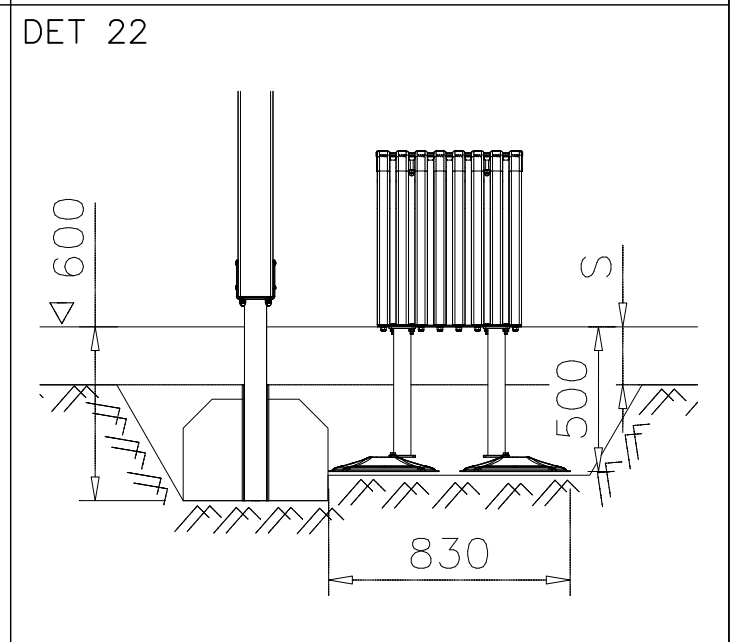
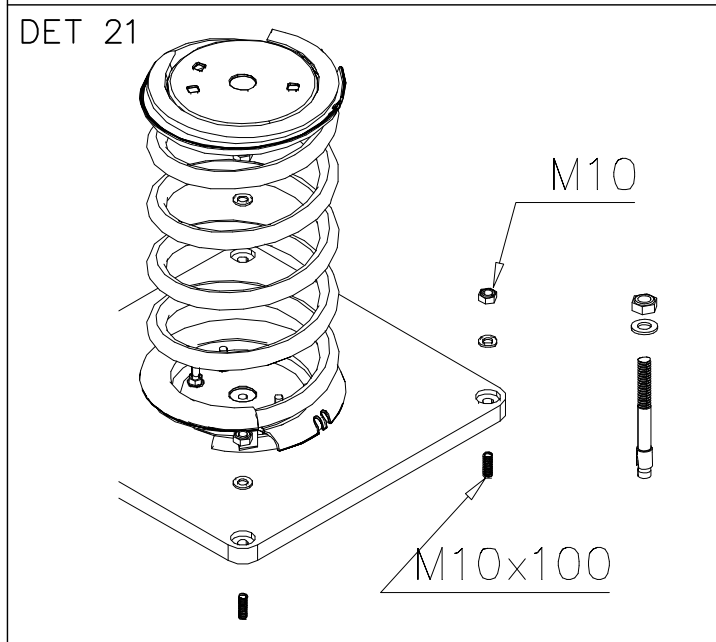
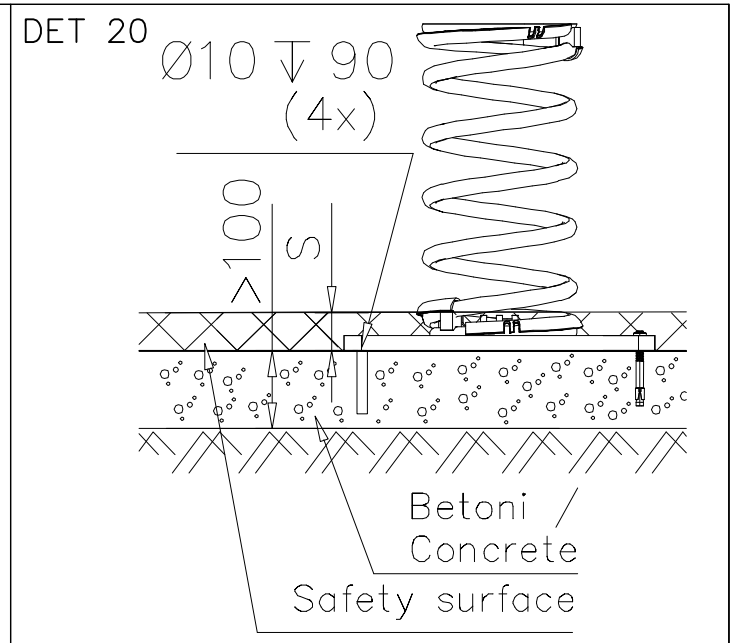
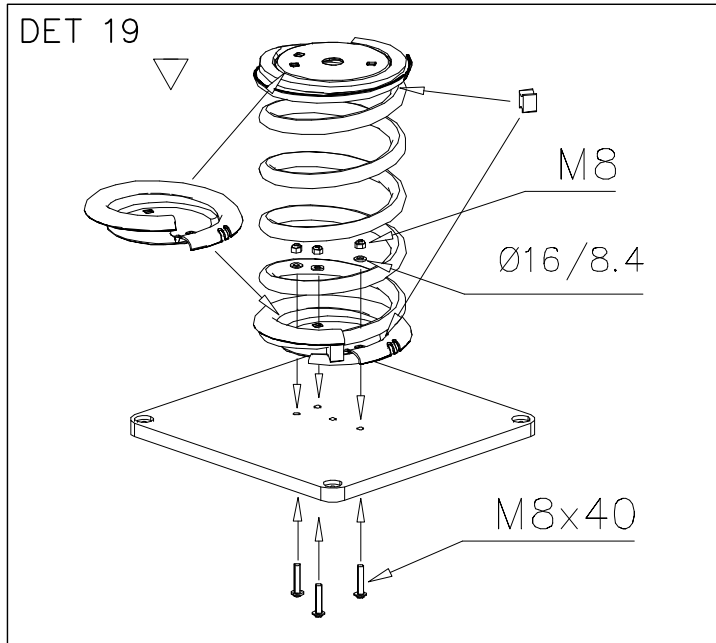


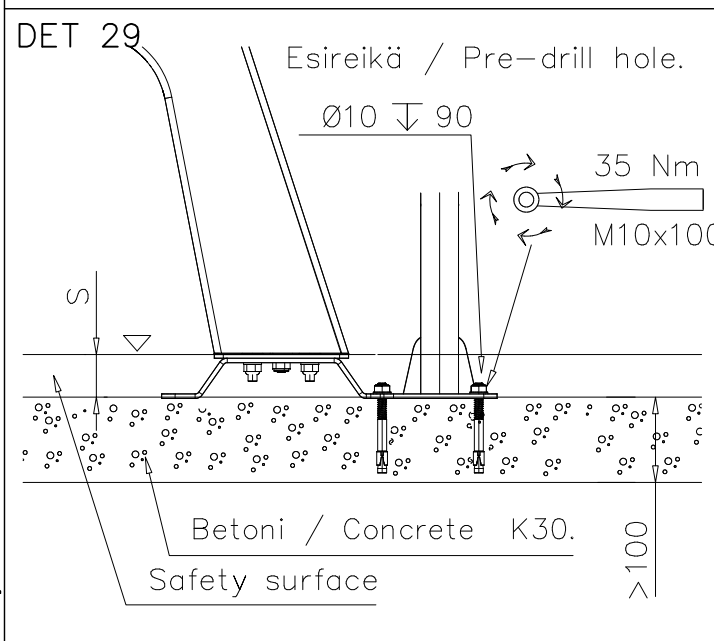
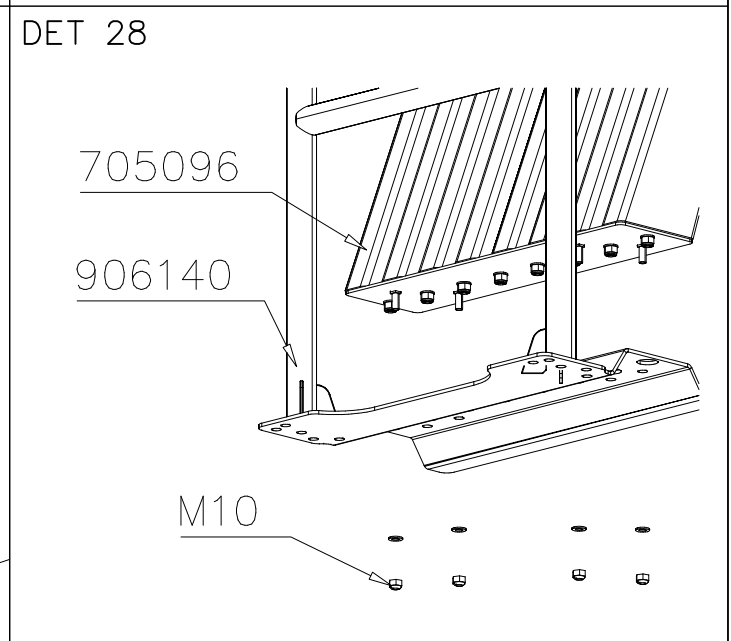
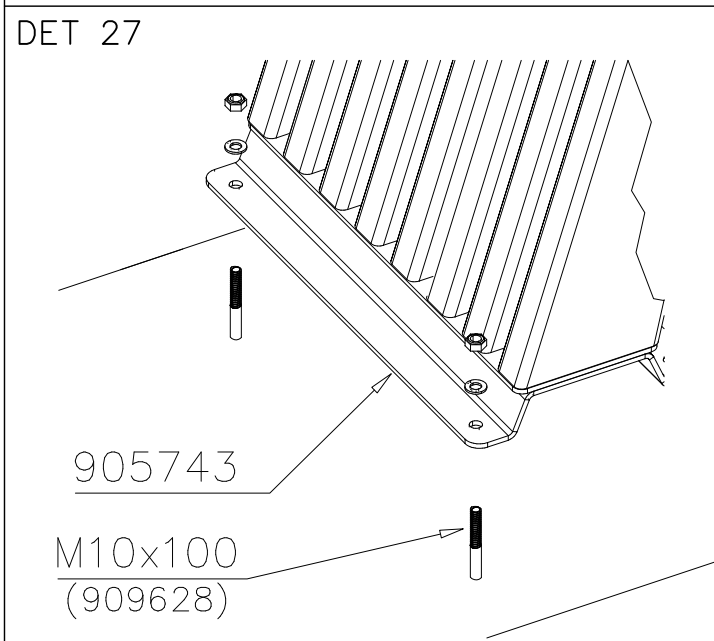
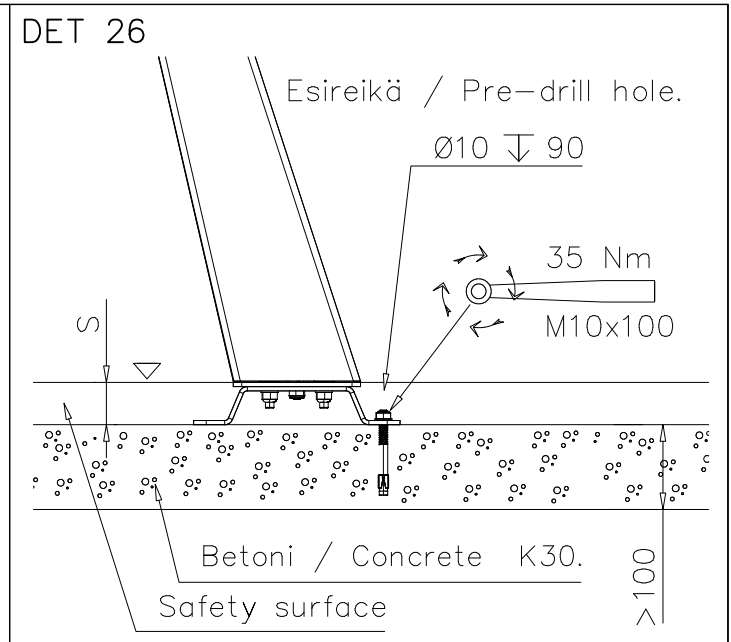
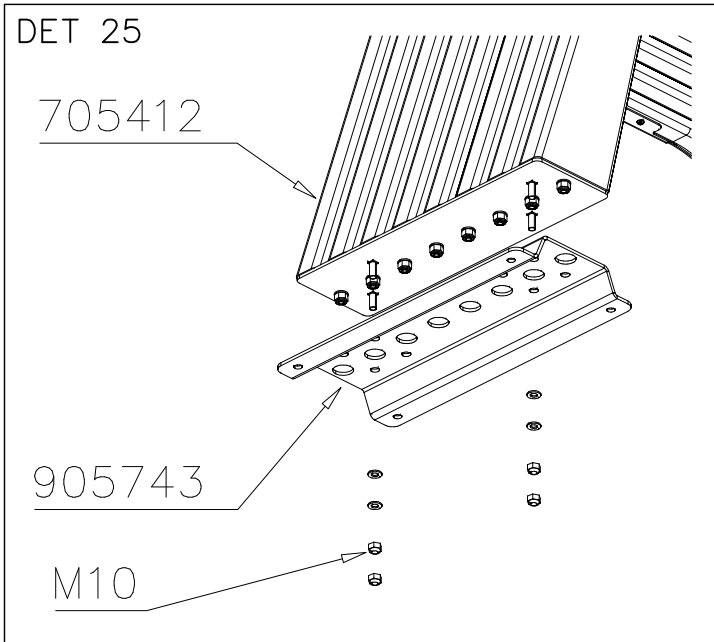
DET 16

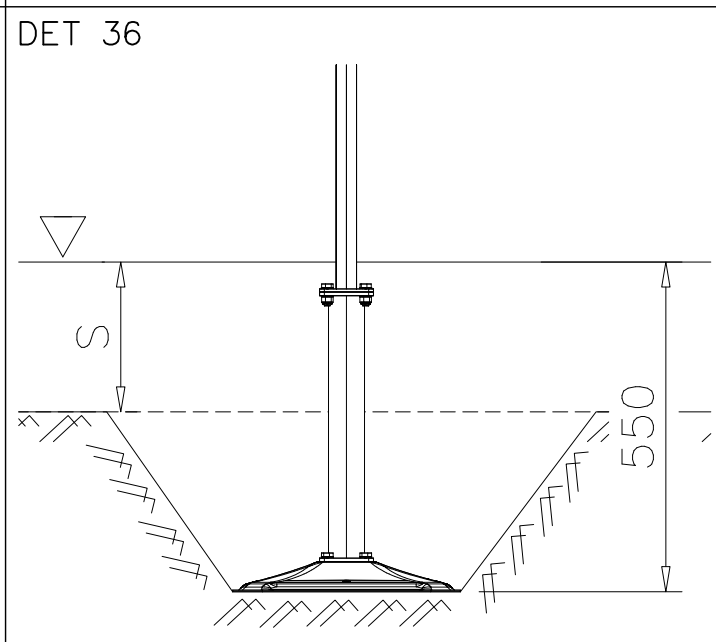
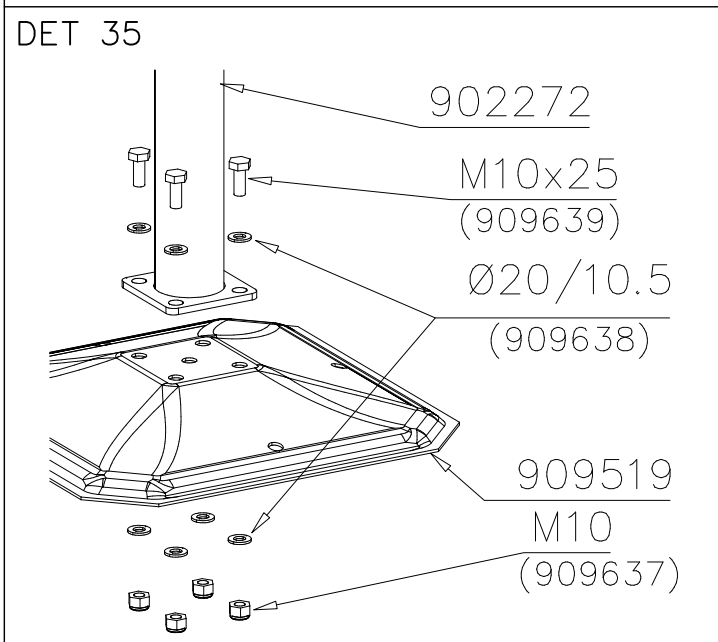
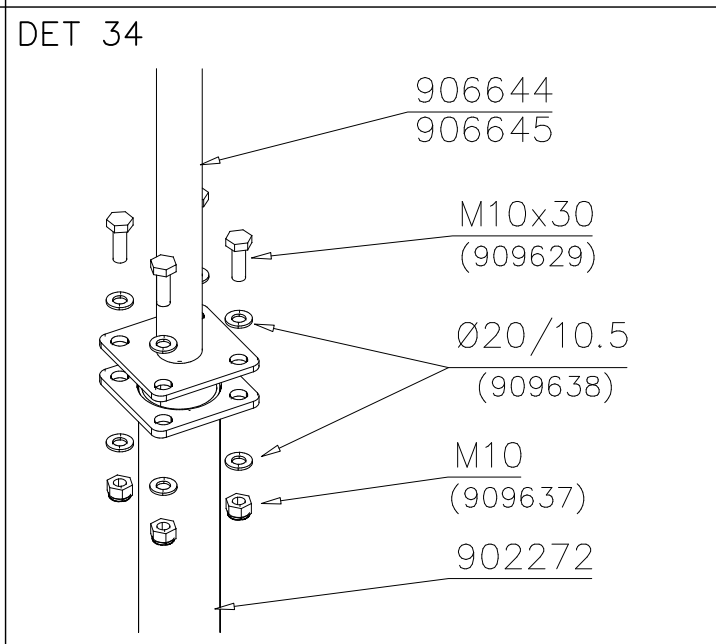
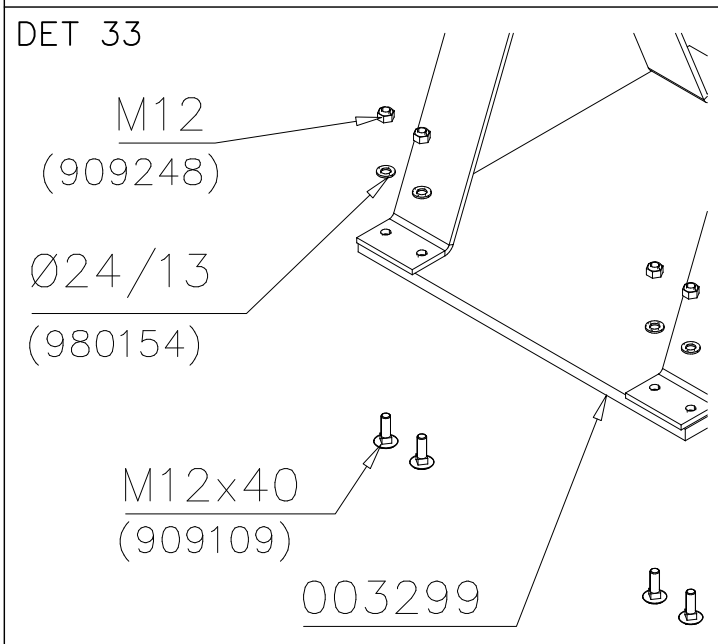
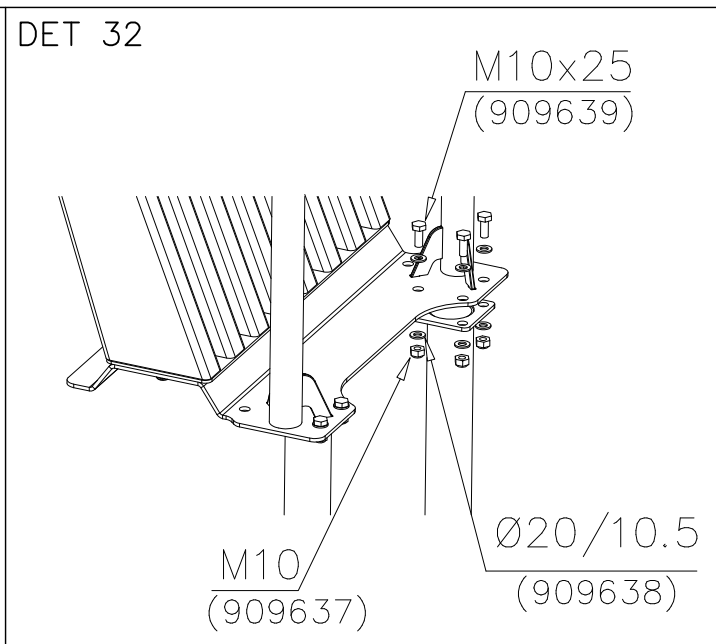
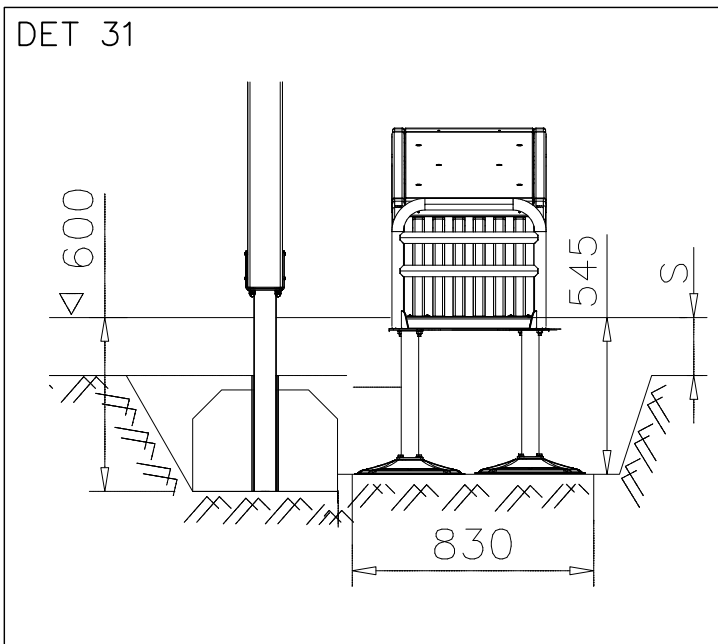


DET 17

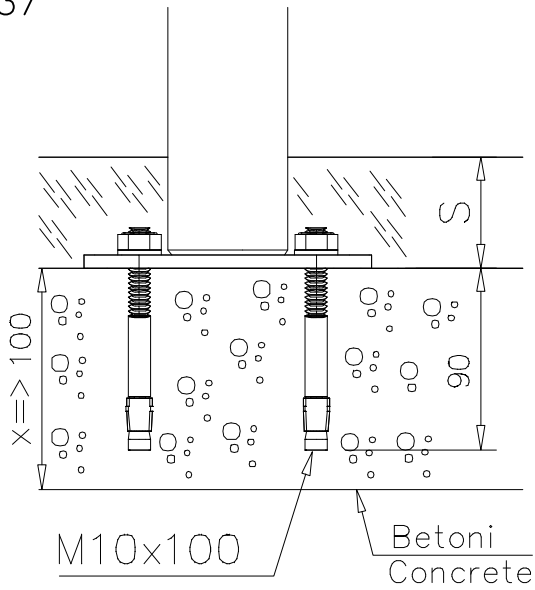
DET 18



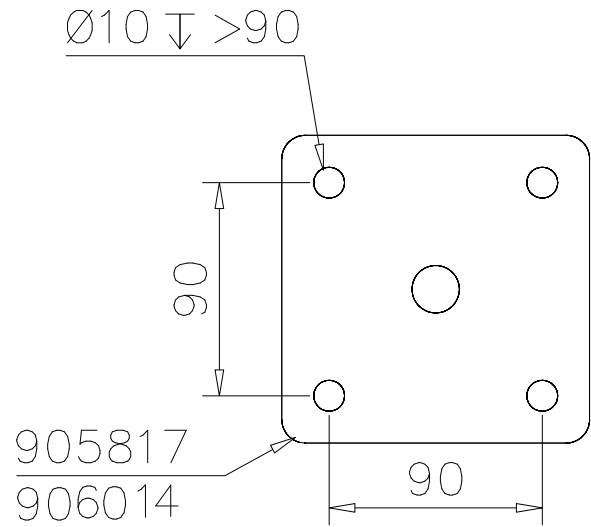




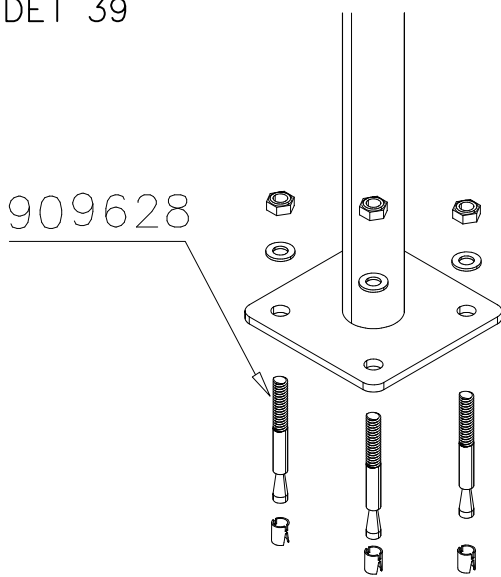
DET 37



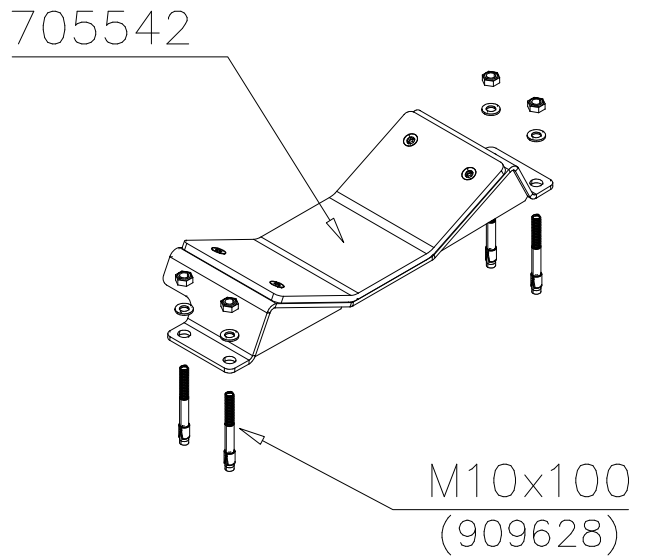
DET 38



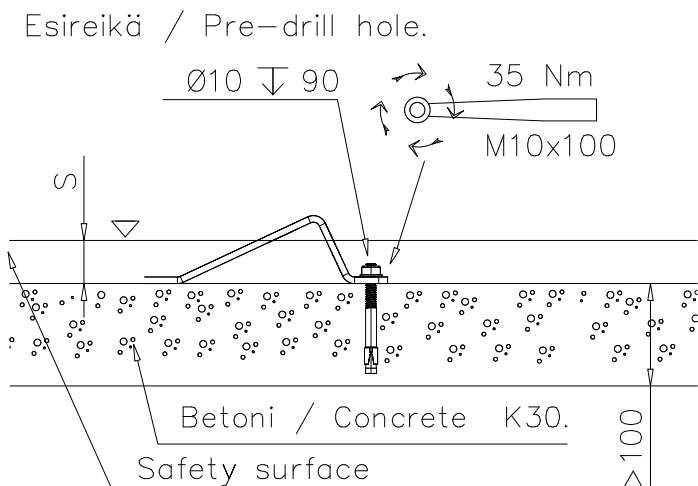
DET 39



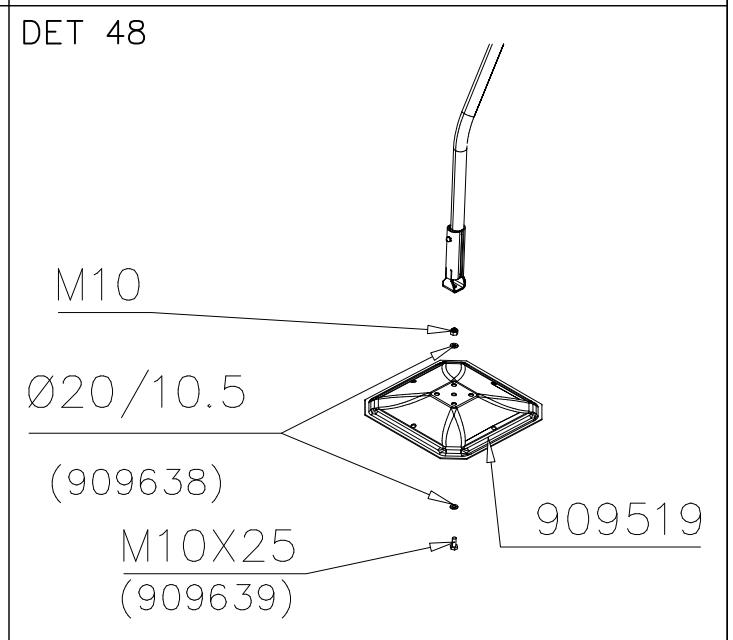
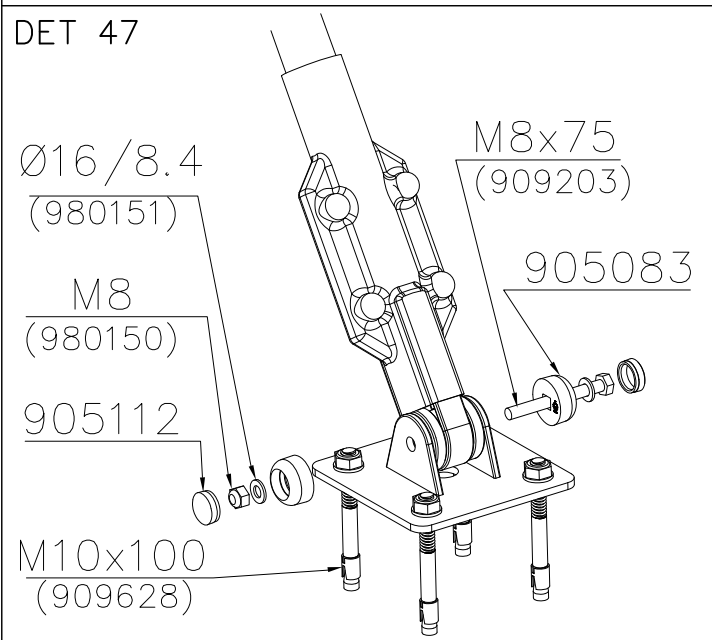
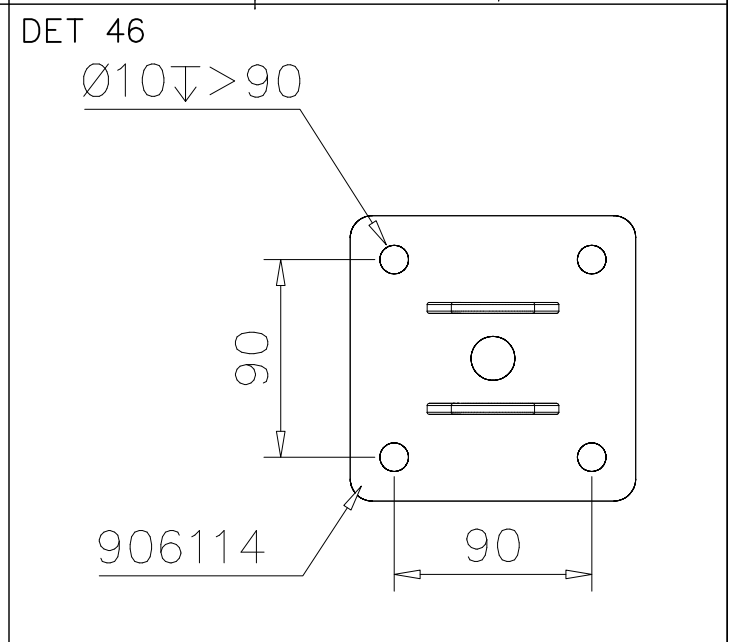
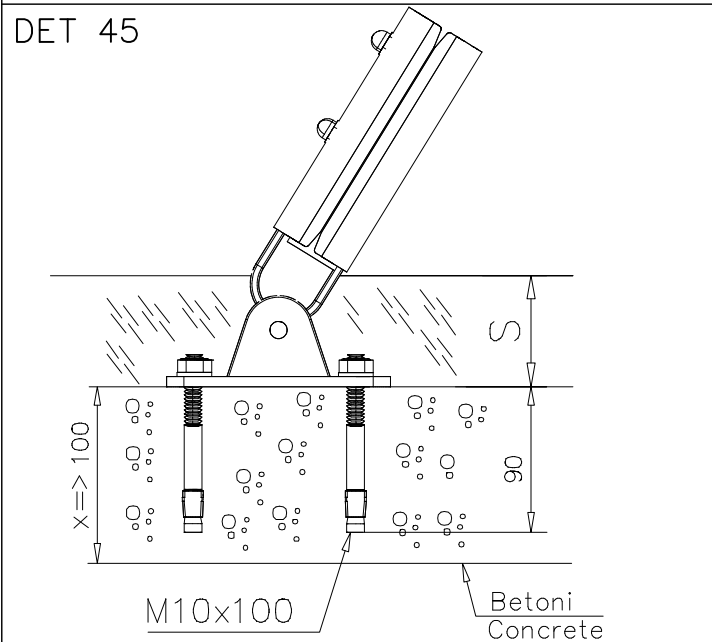
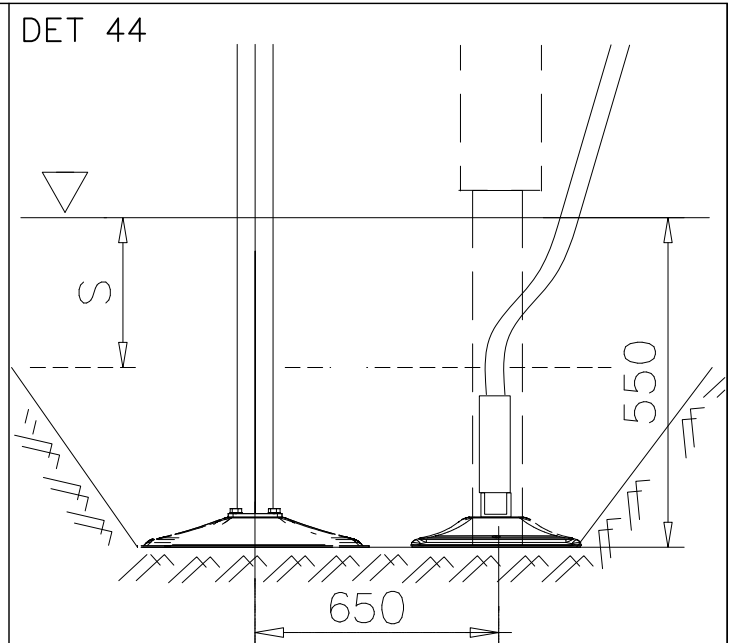
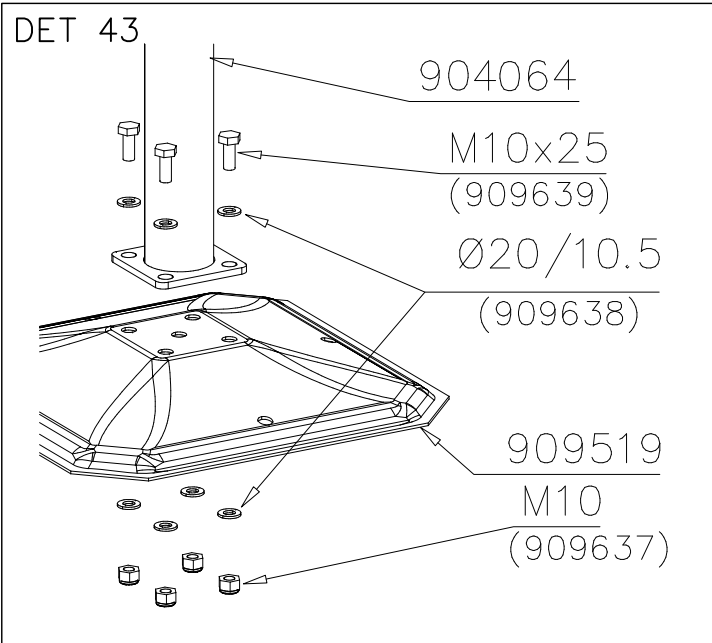
DET 40



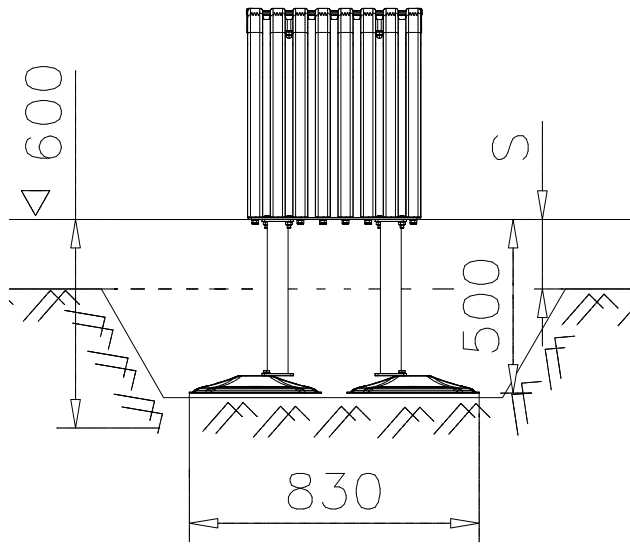
DET 41



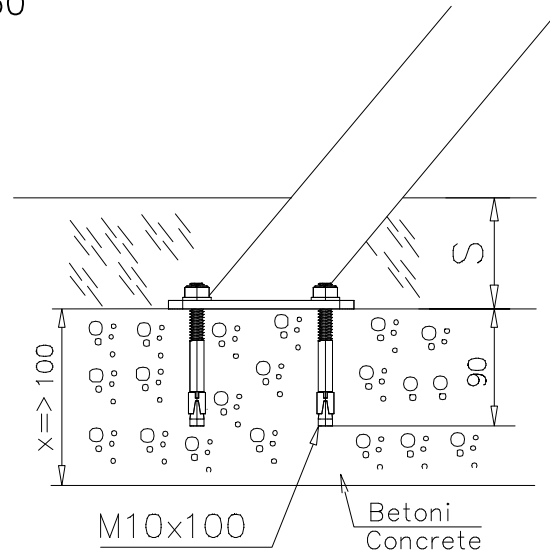
DET 42



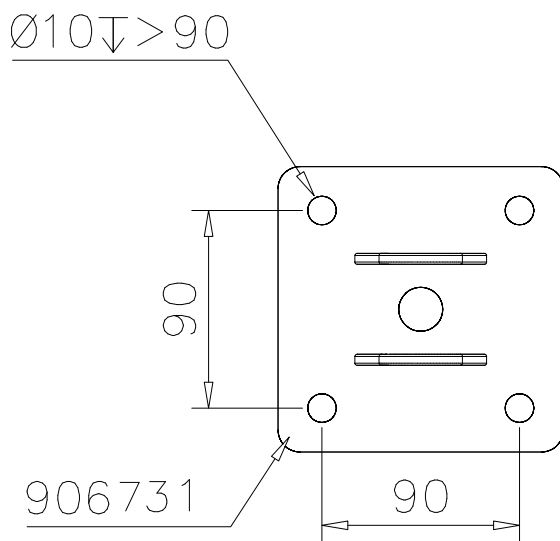
DET 49



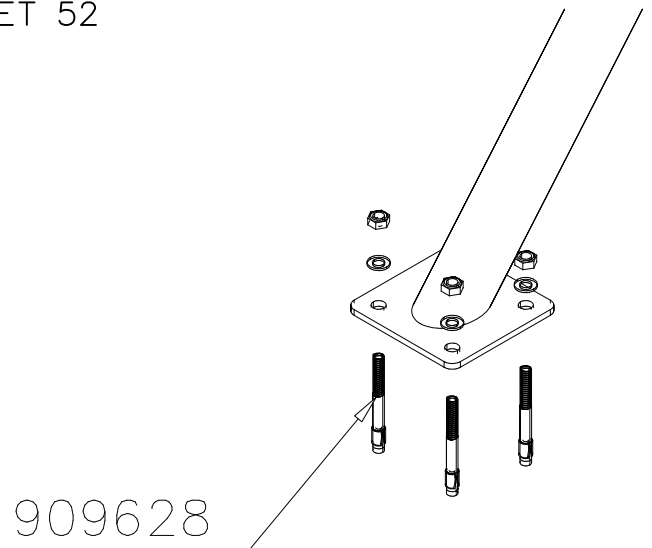
DET 50



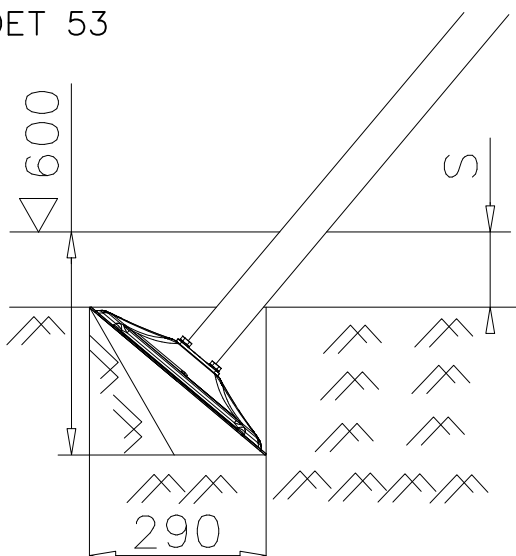
DET 51



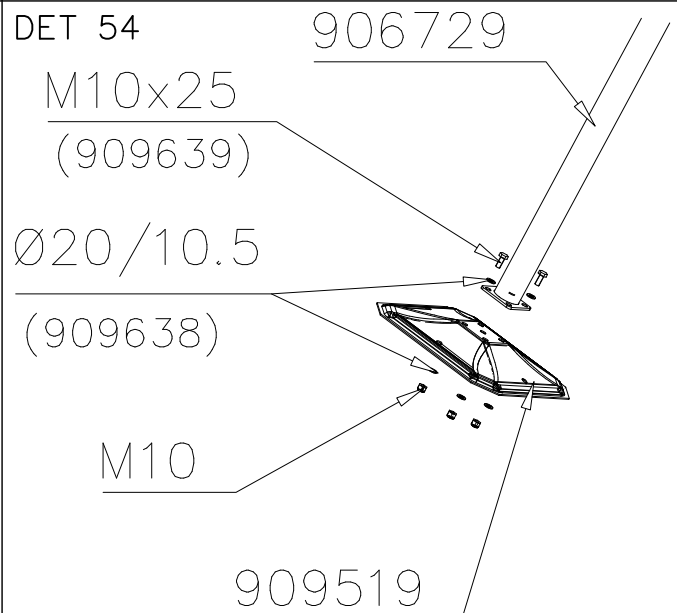
DET 52



DET 53



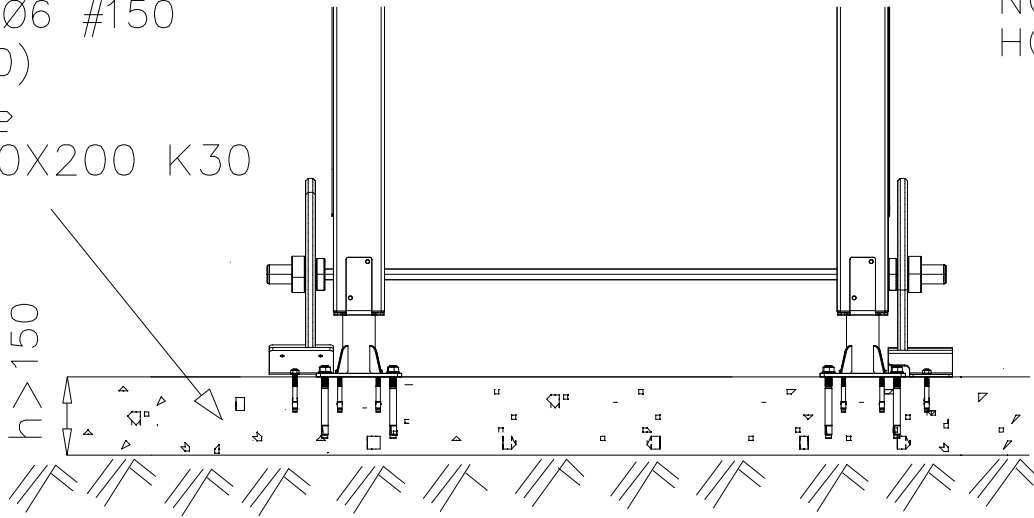
DET 54



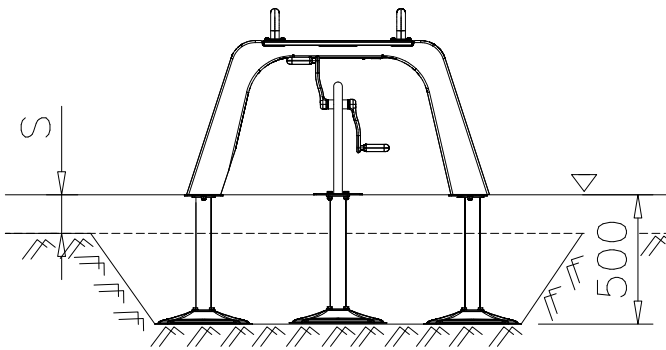
DET 55

STEELNET Ø6 #150
(1400x2100)
Concrete
1500X2200X200 K30

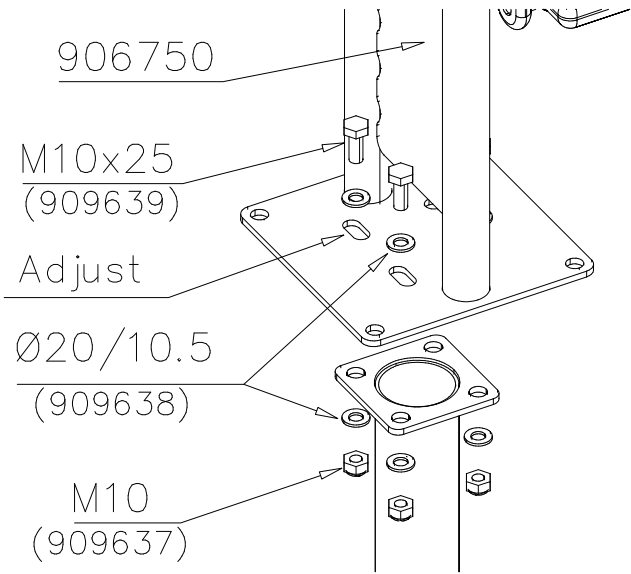
NOTE!
HOX!



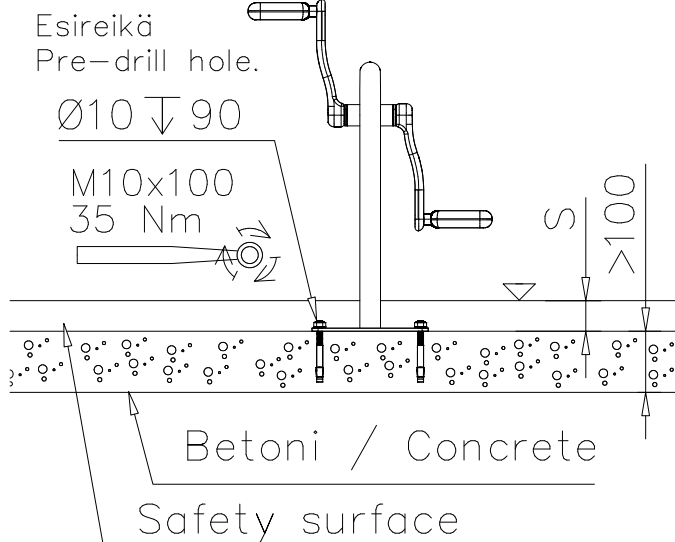
DET 56



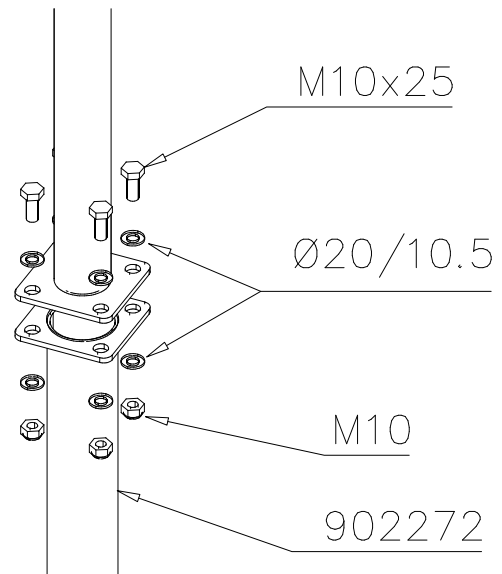
DET 57



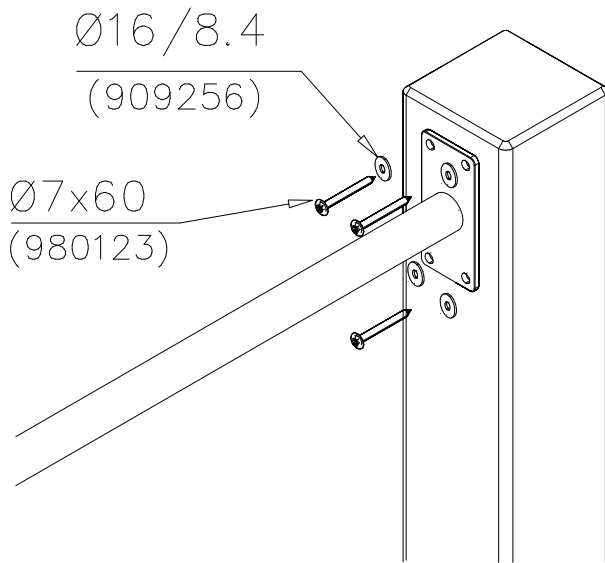
DET 58



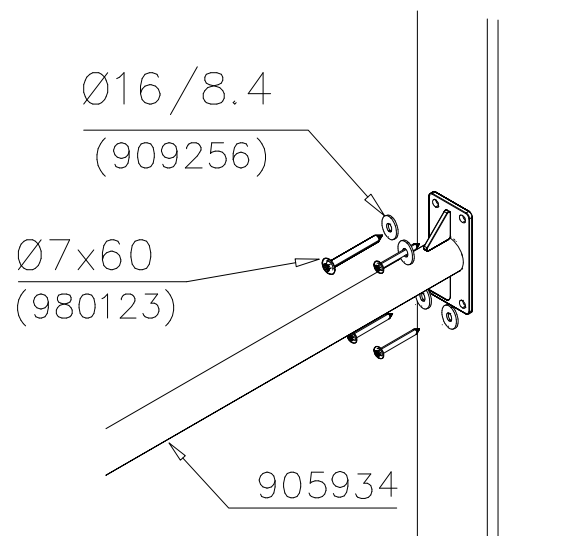
DET 59



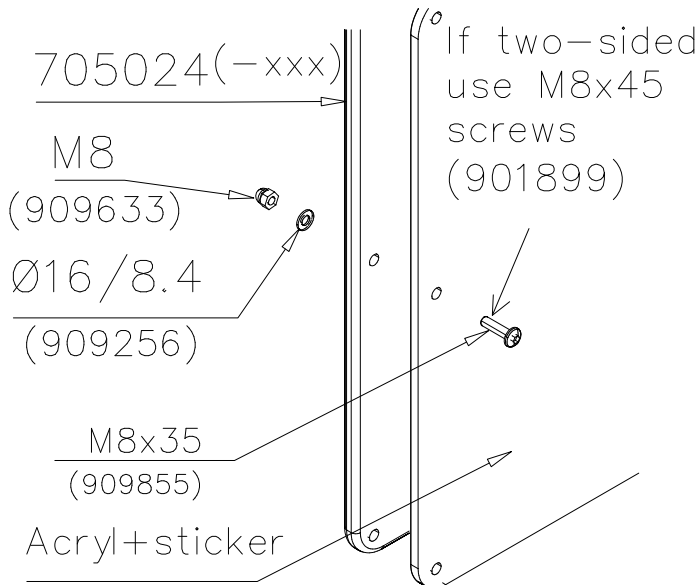
DET 1



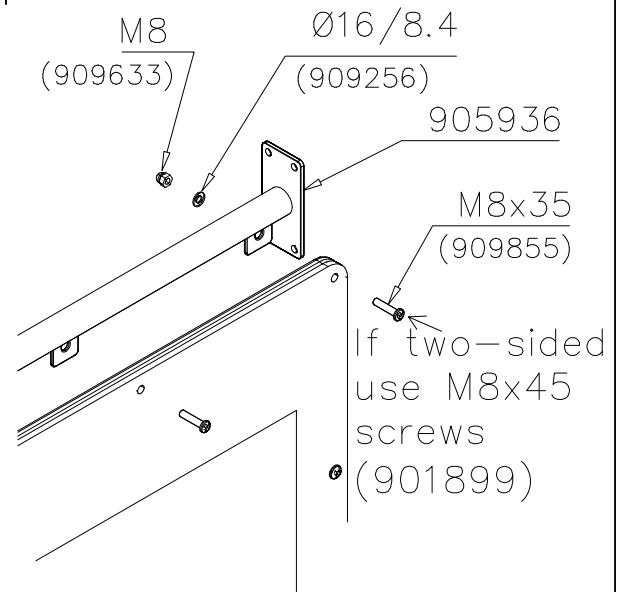
DET 2



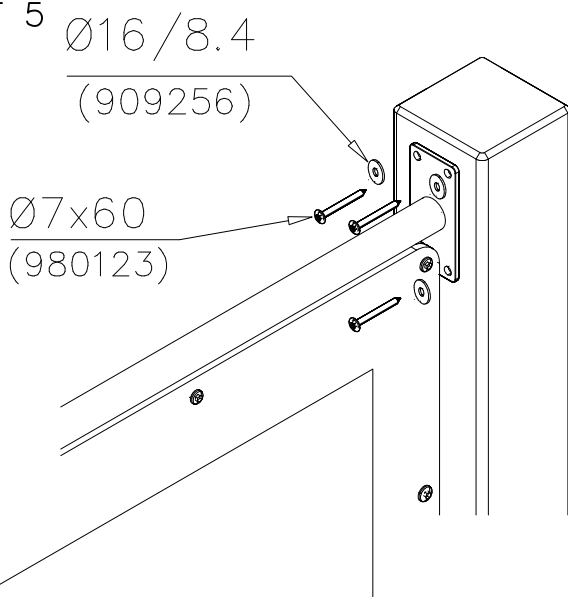
DET 3



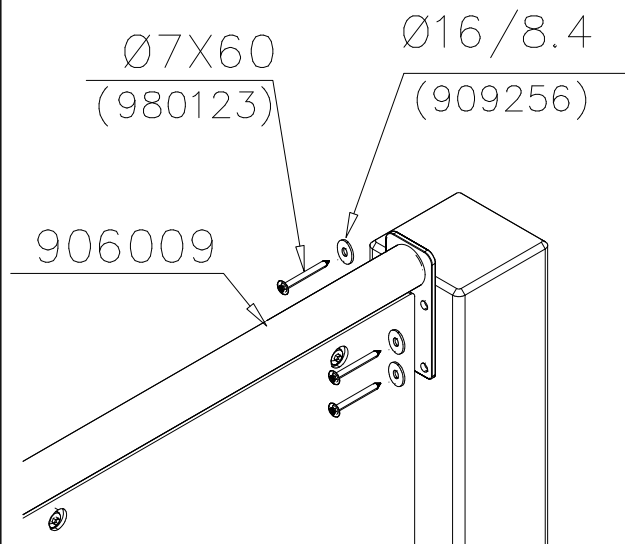
DET 4

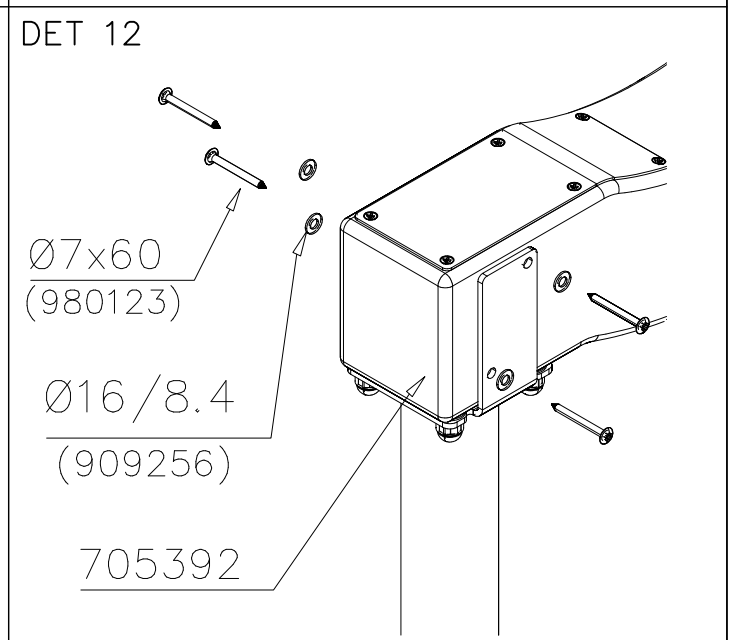
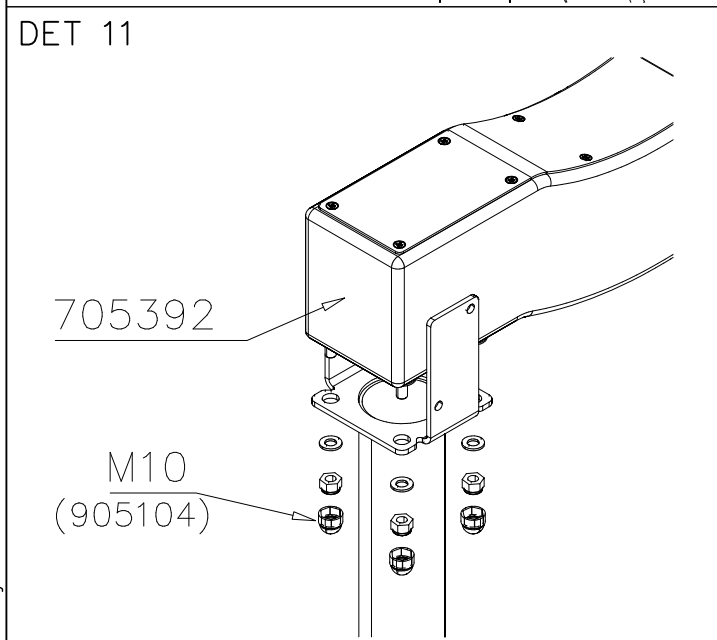
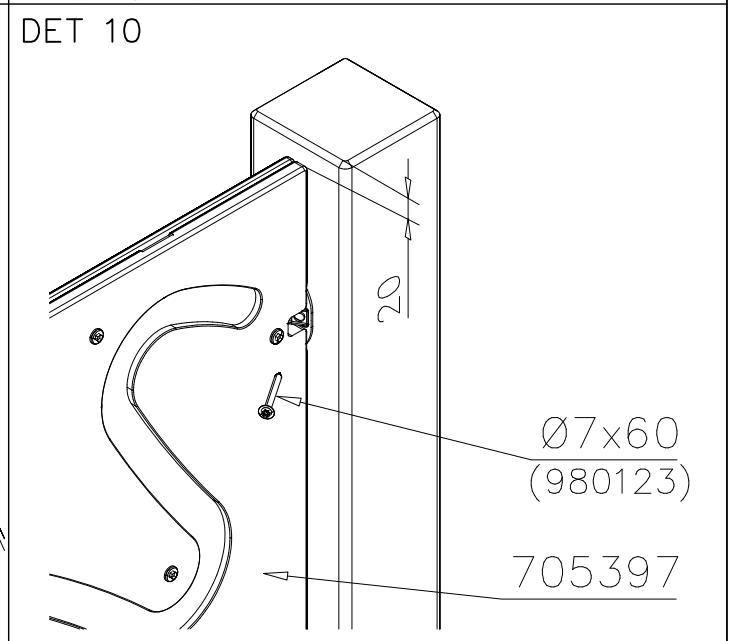
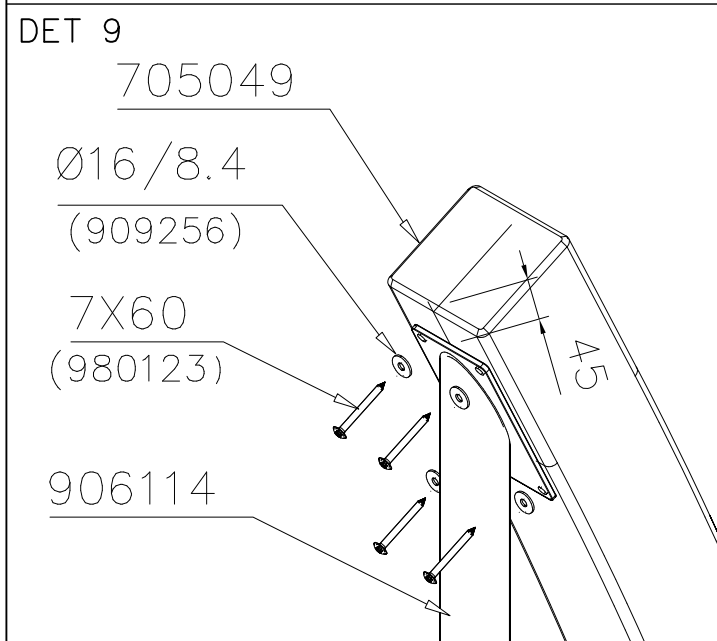
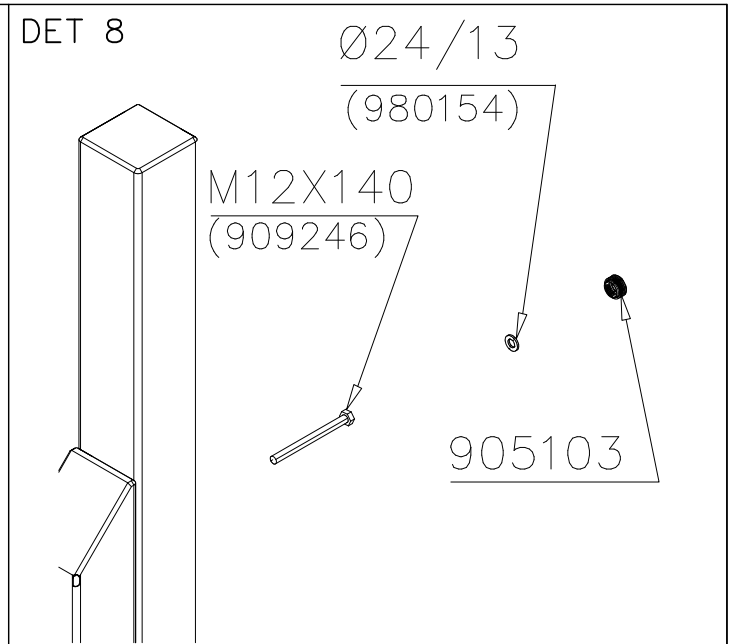
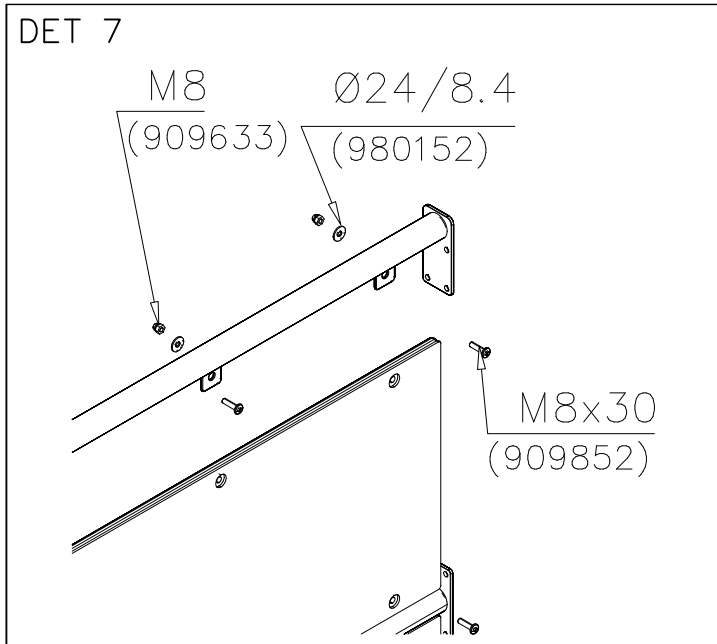


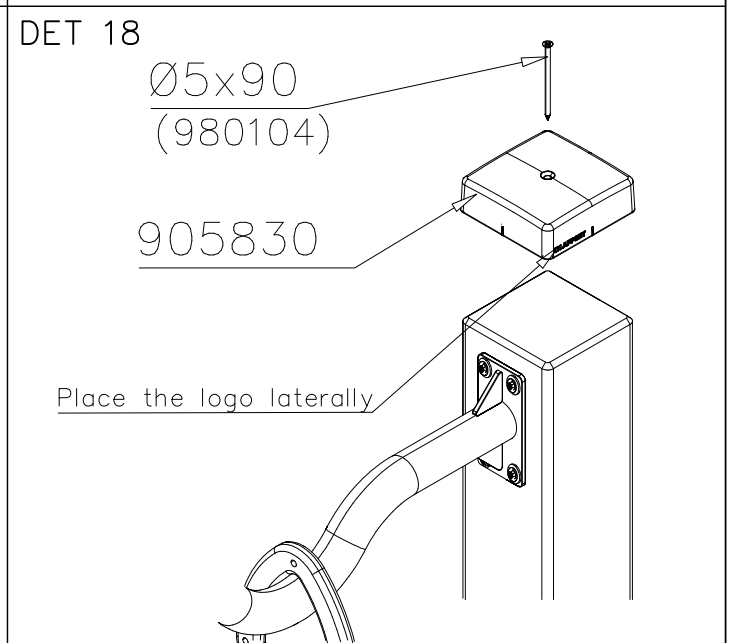
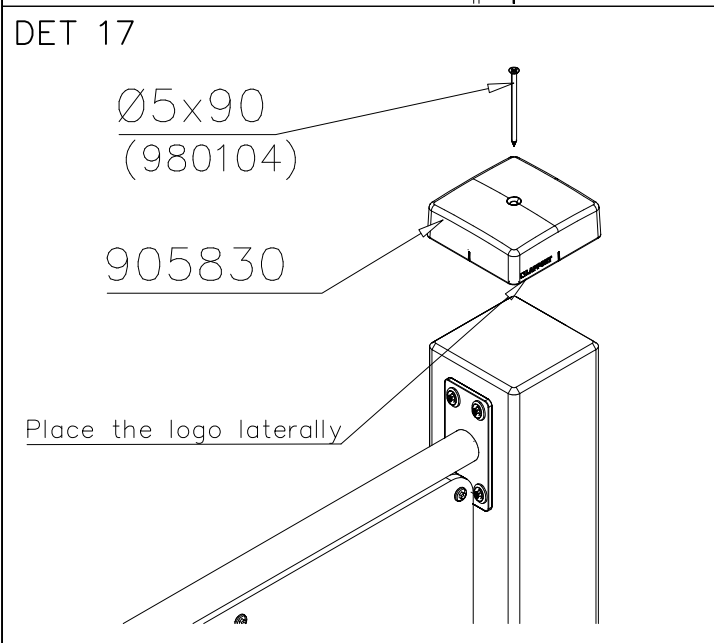
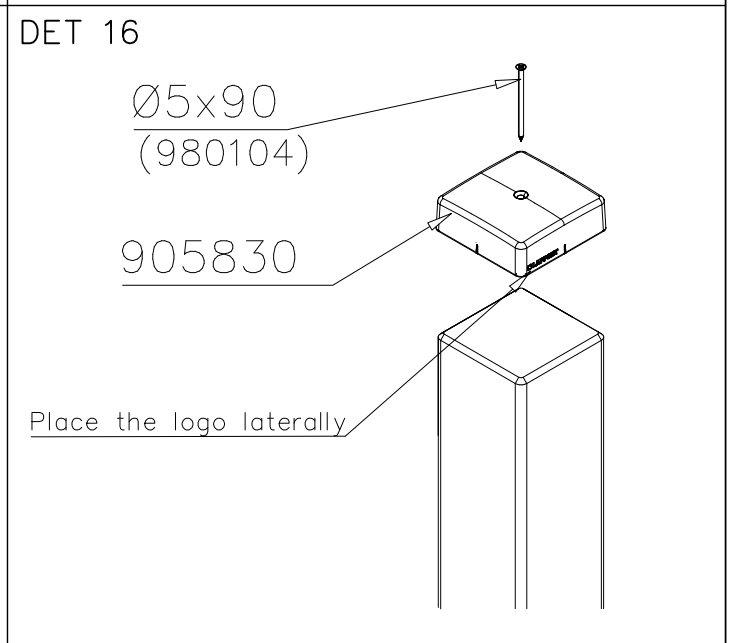
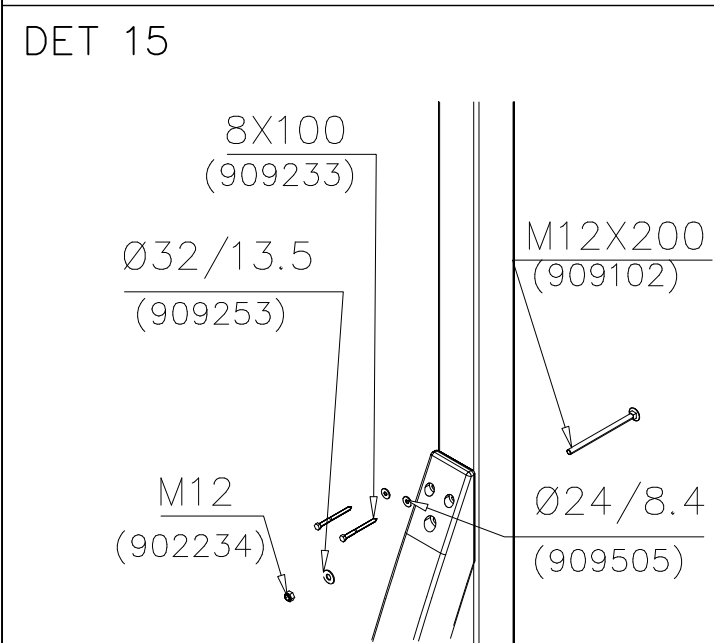
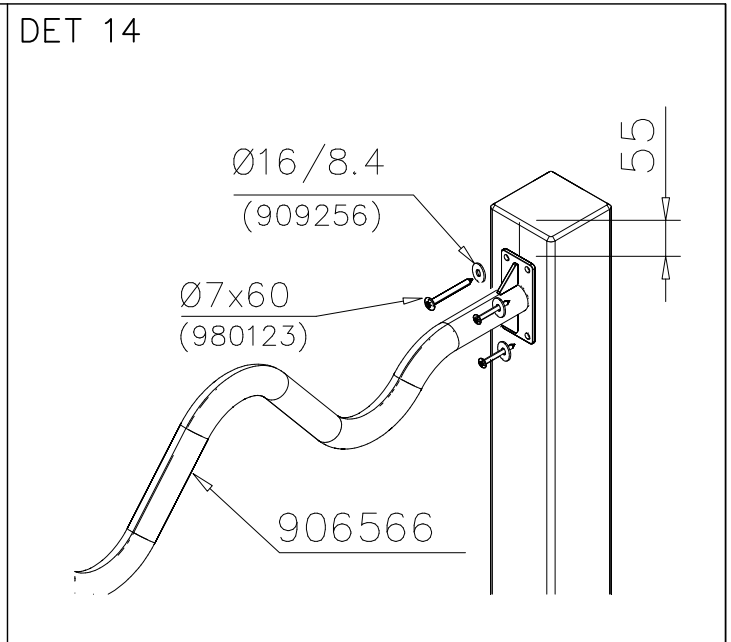
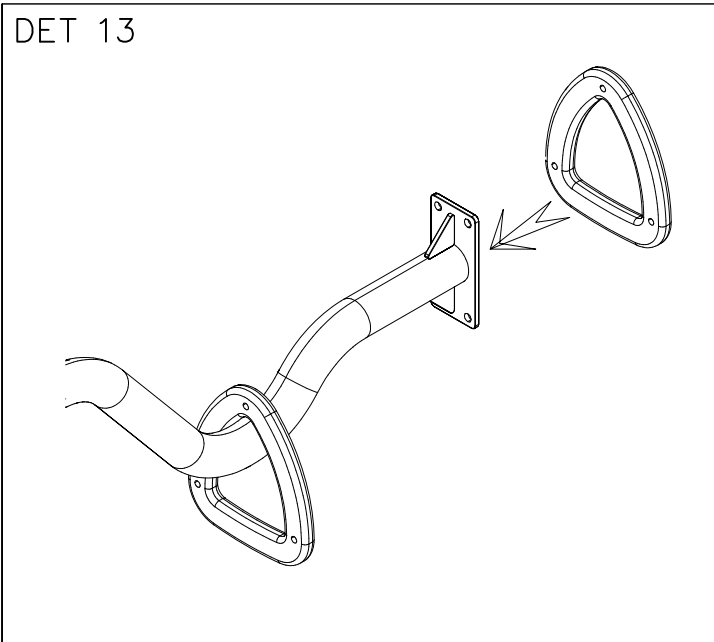
DET 5

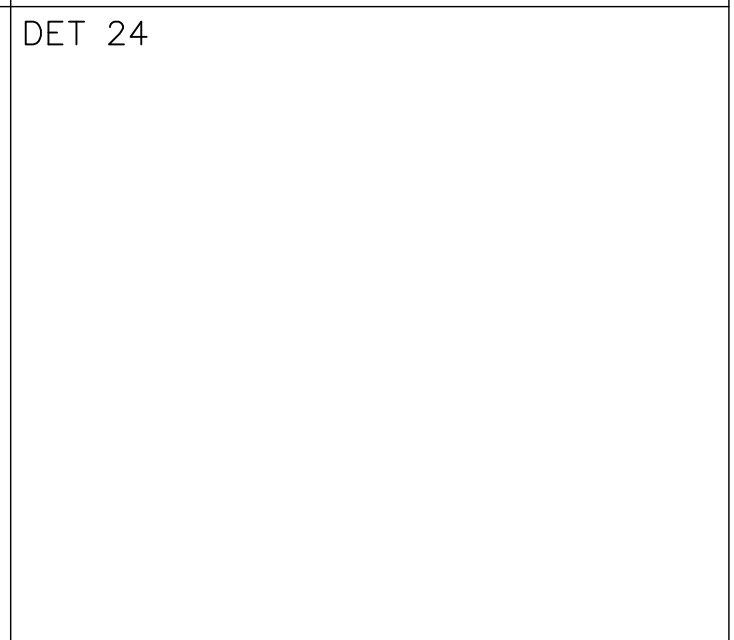
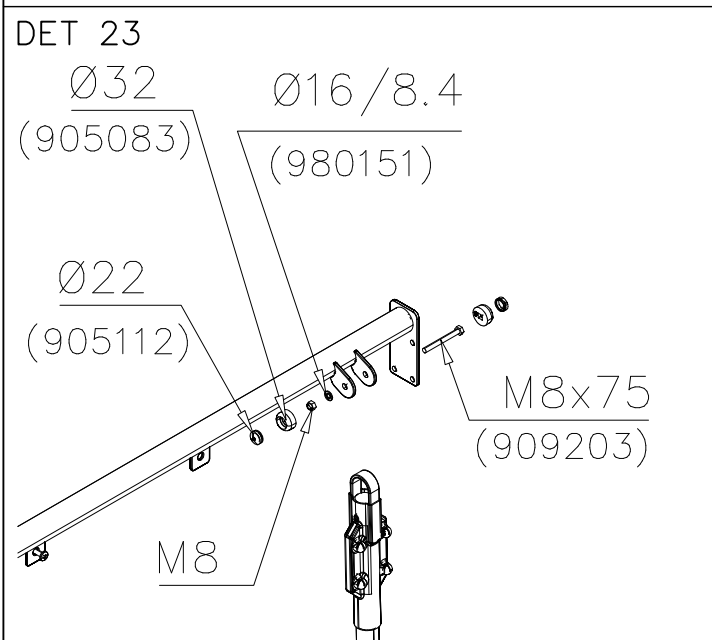
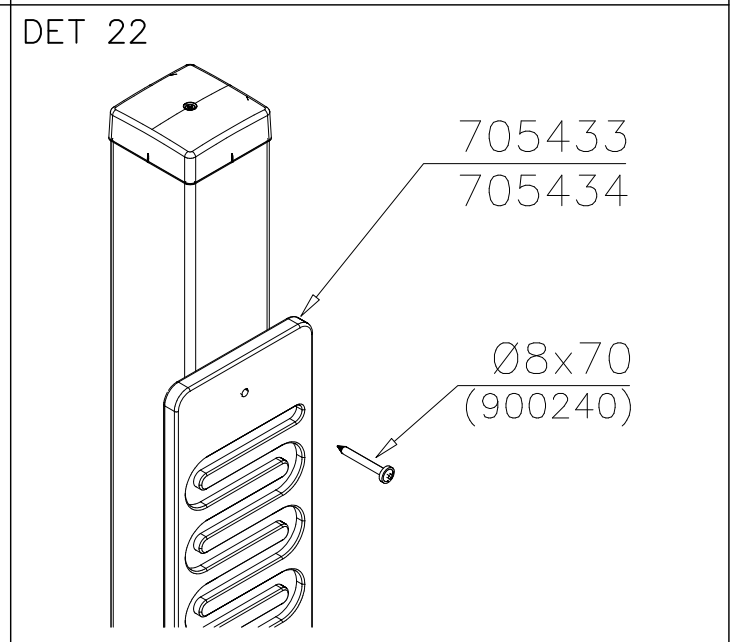
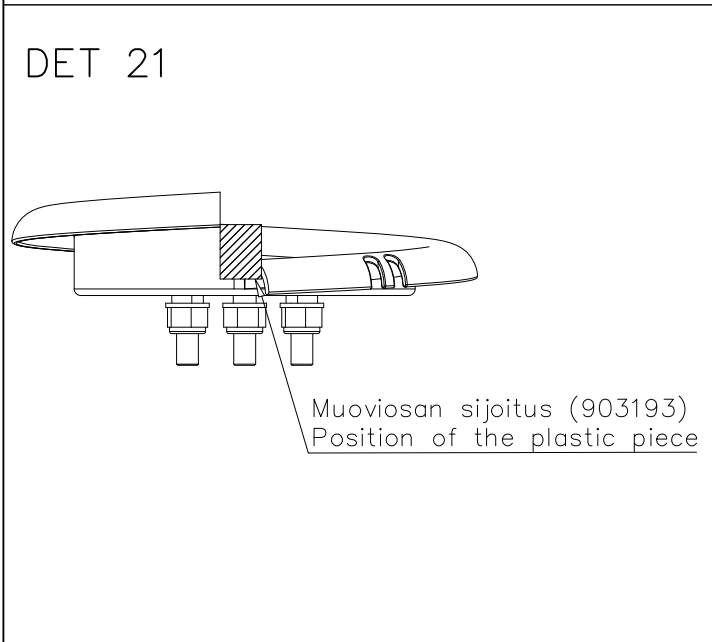
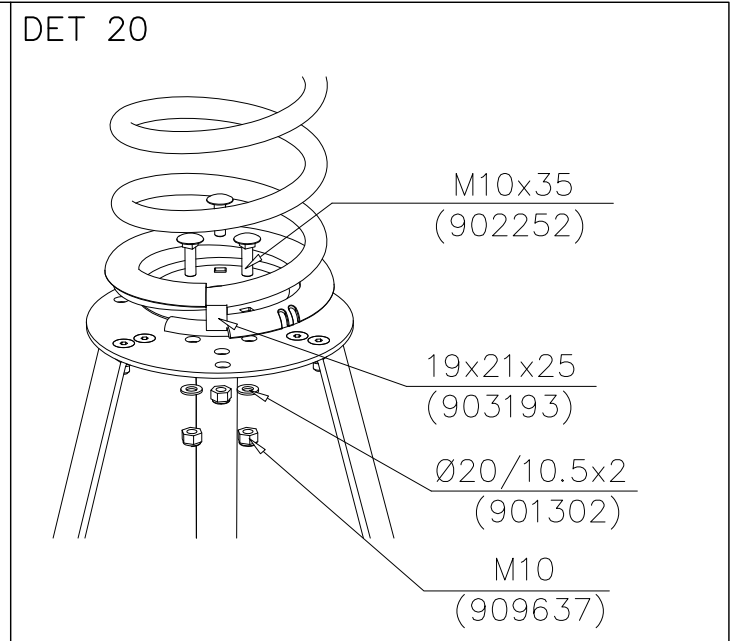
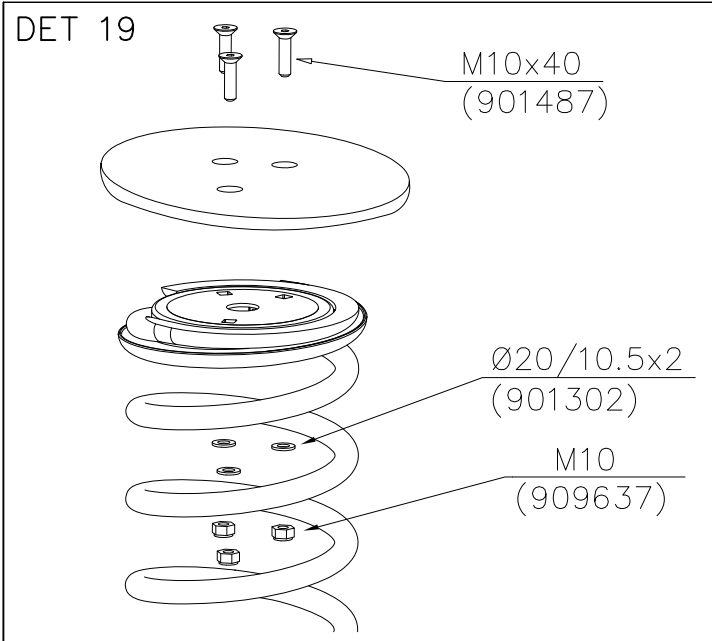


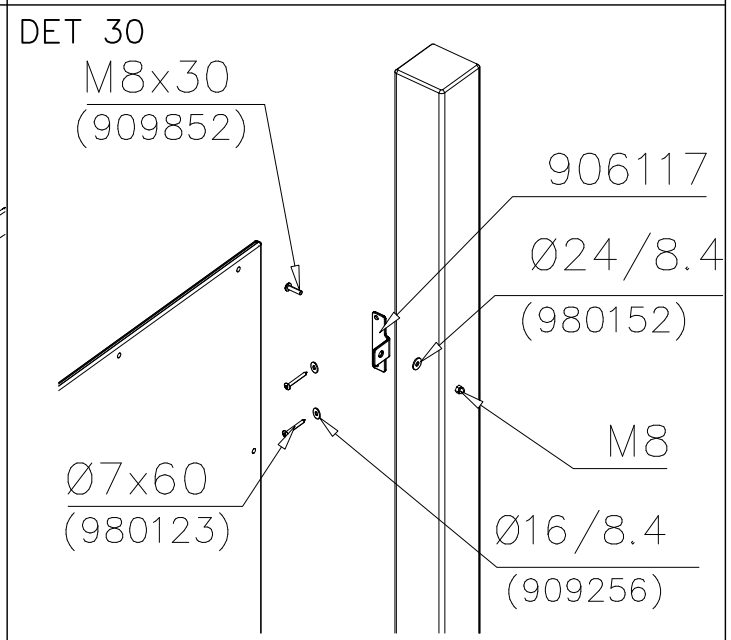
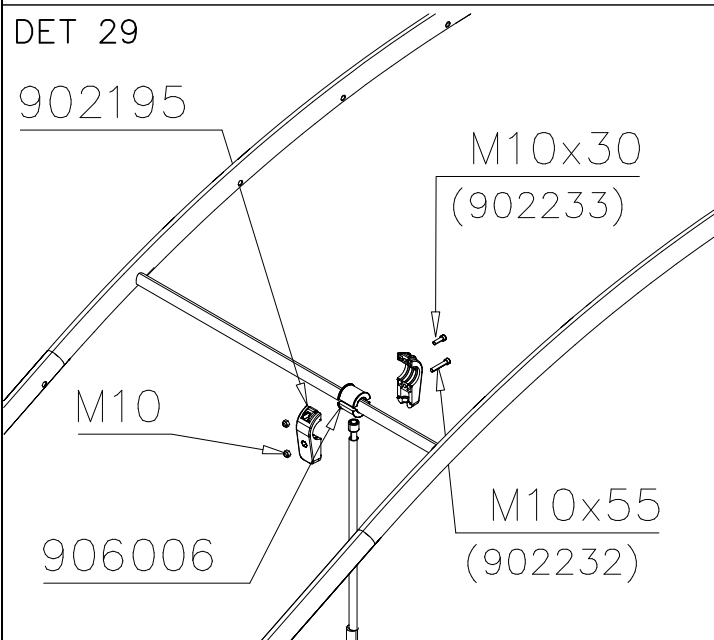
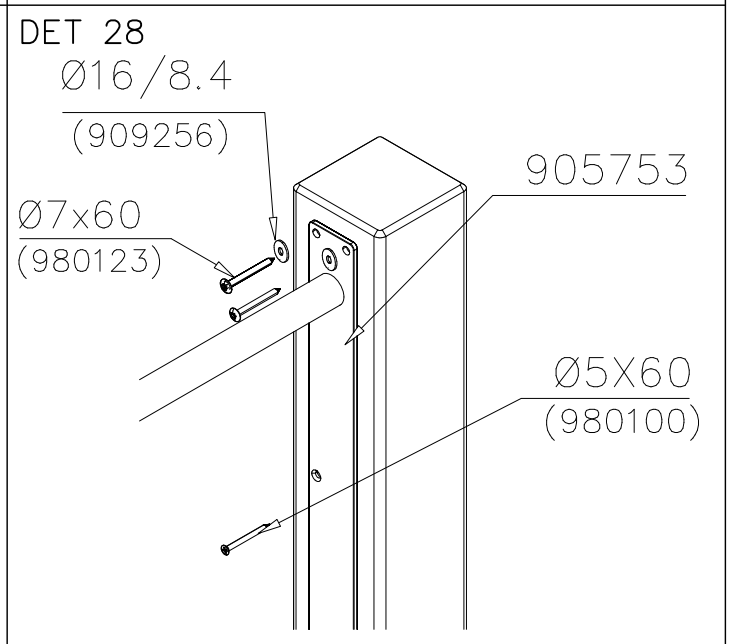
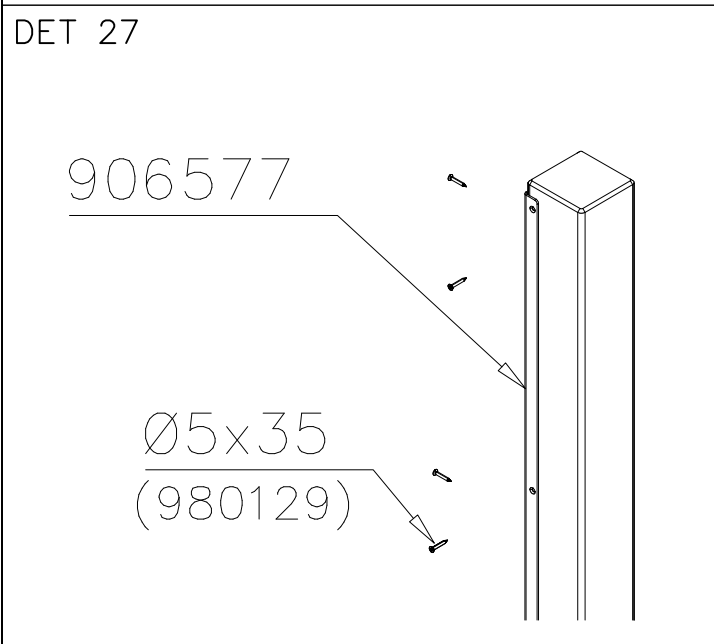
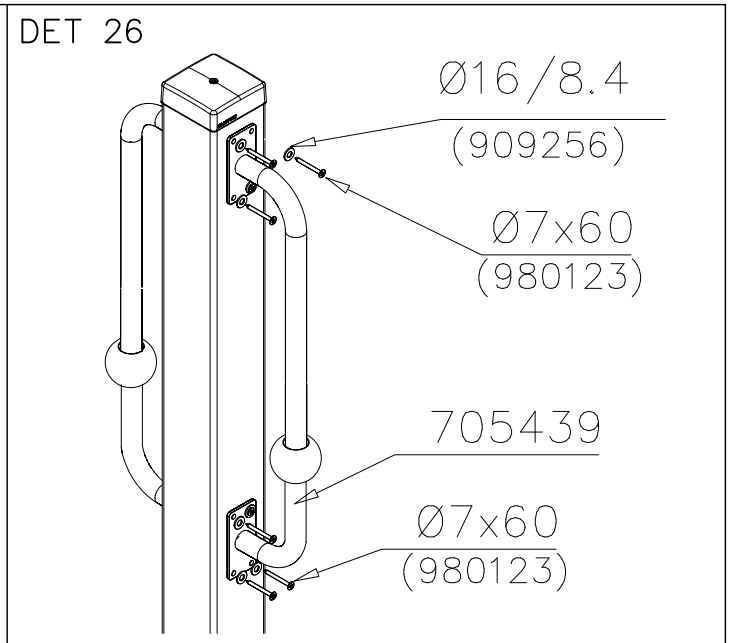
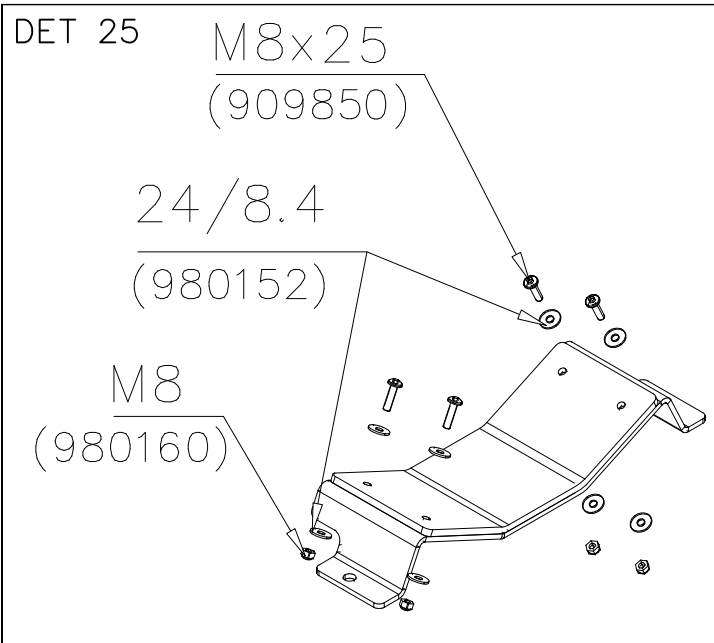
DET 6





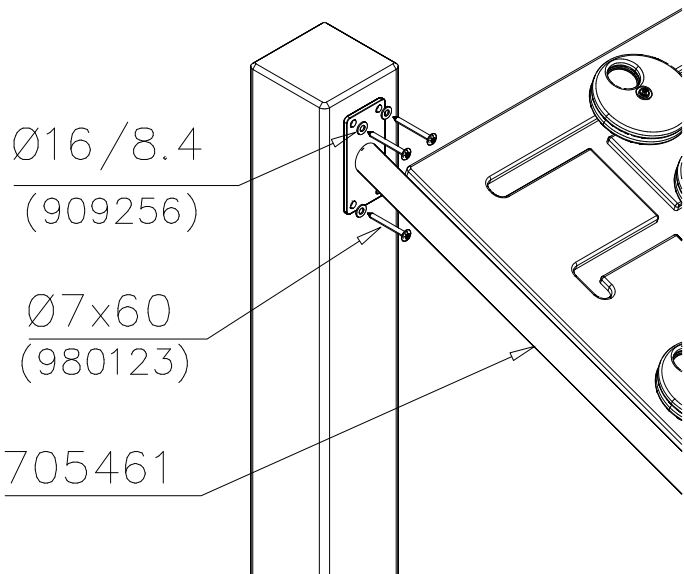




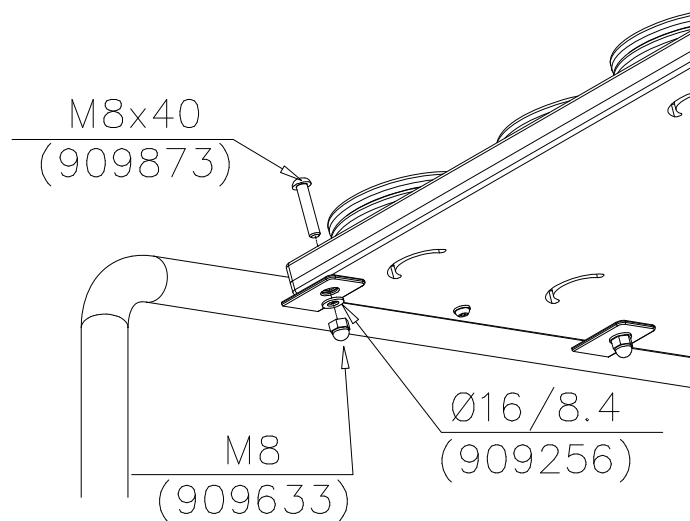




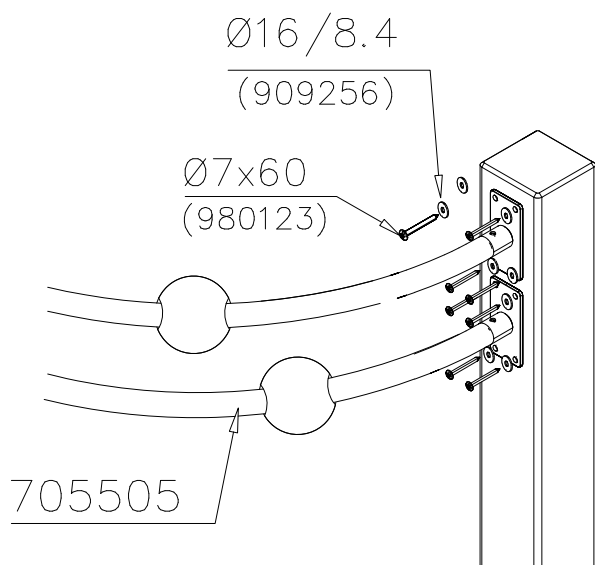
DET 31



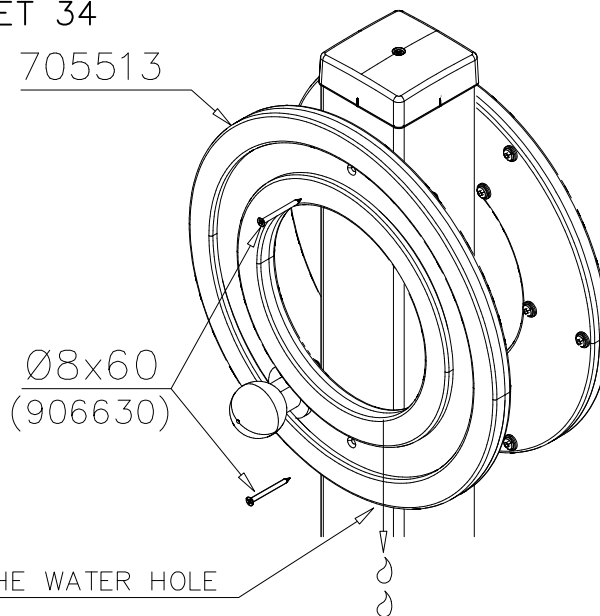
DET 32



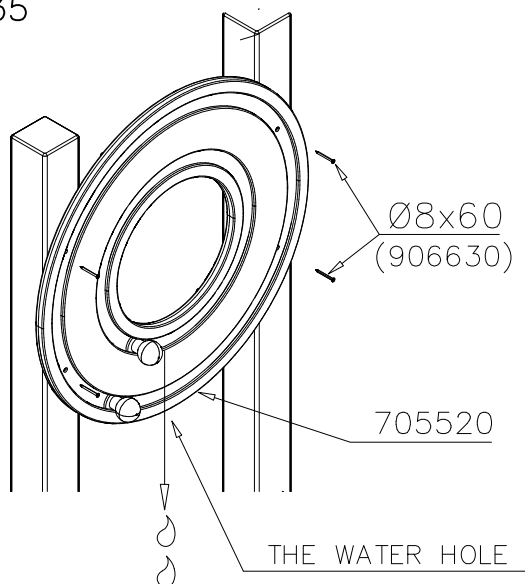
DET 33



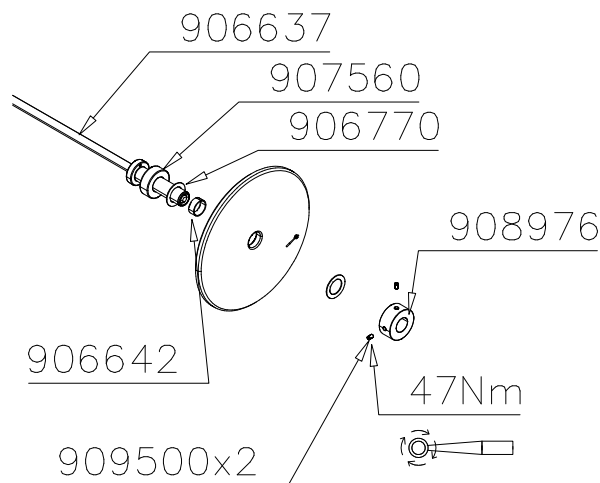
DET 34

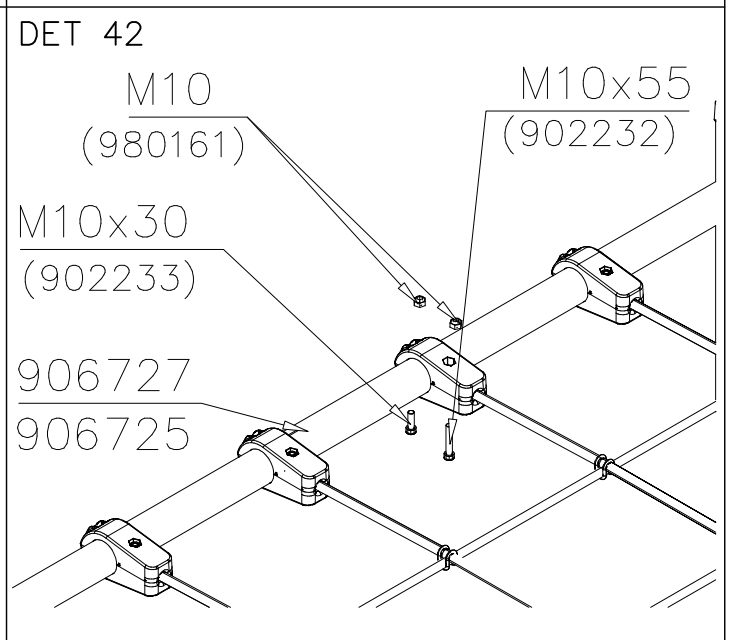
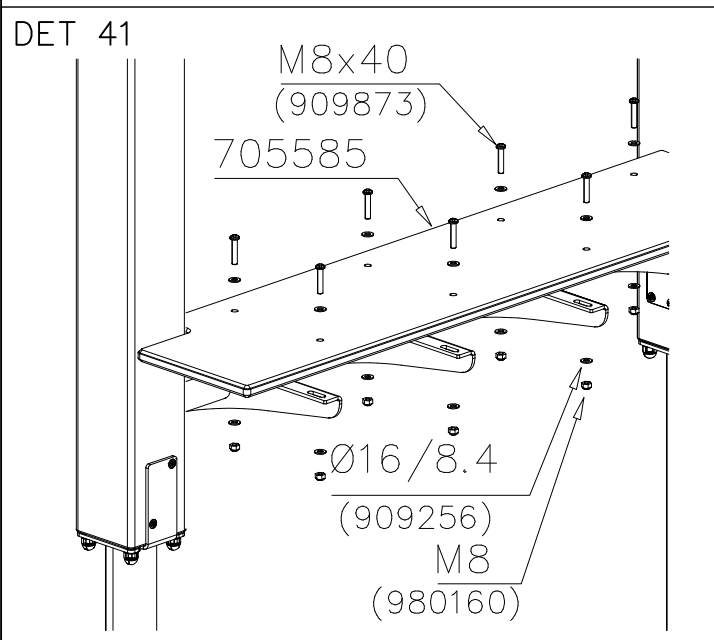
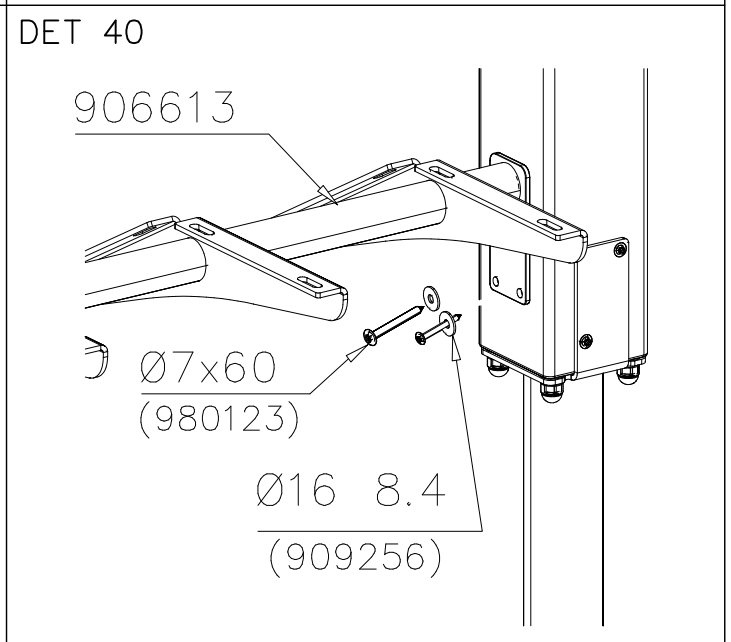
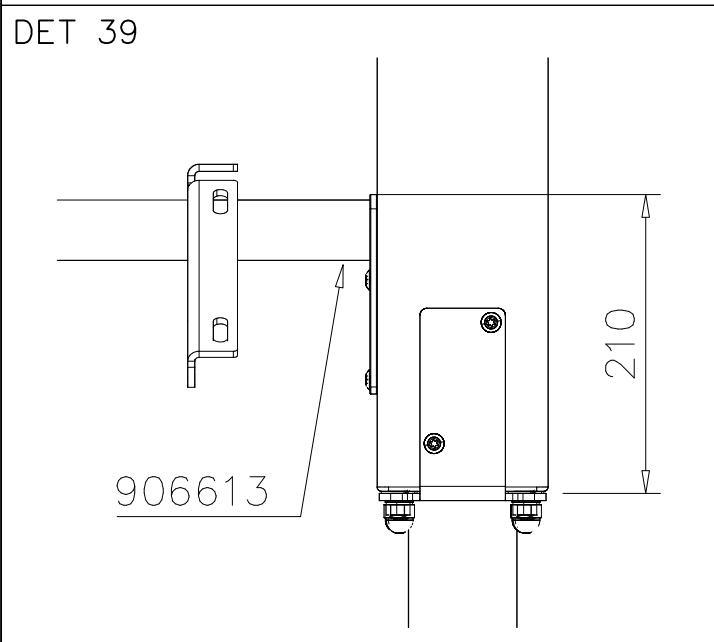
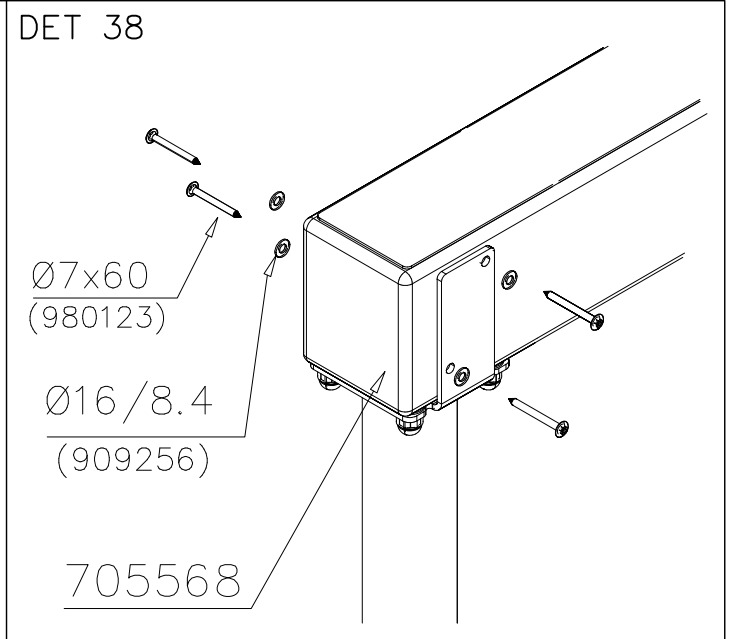
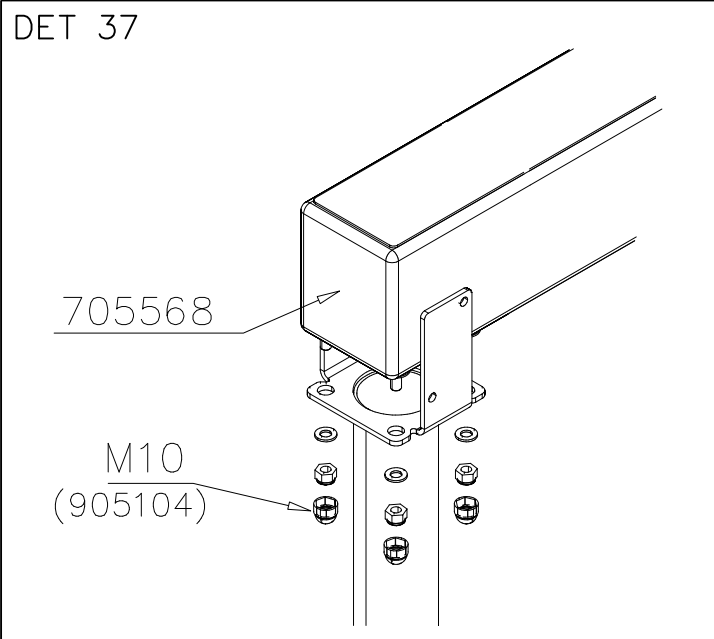


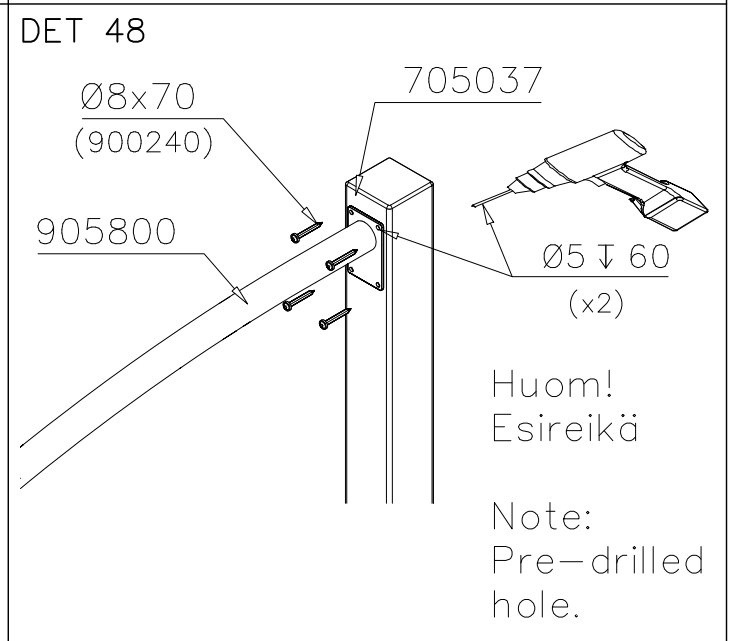
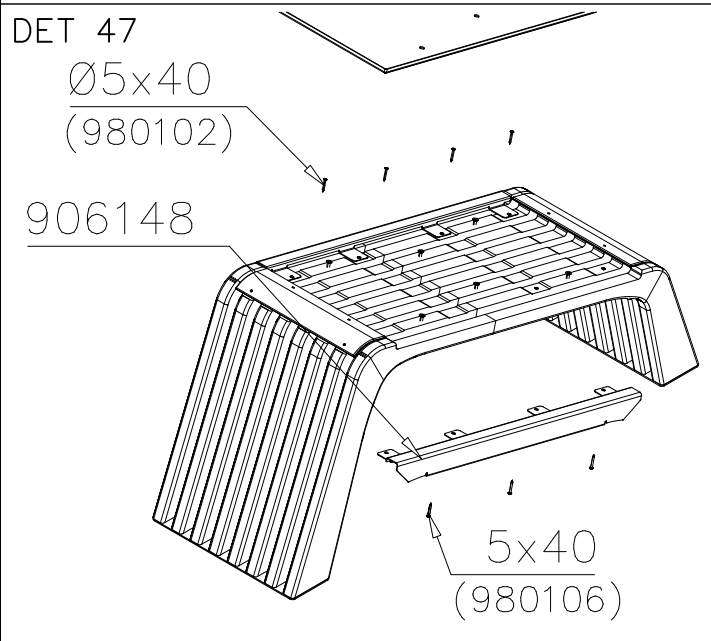
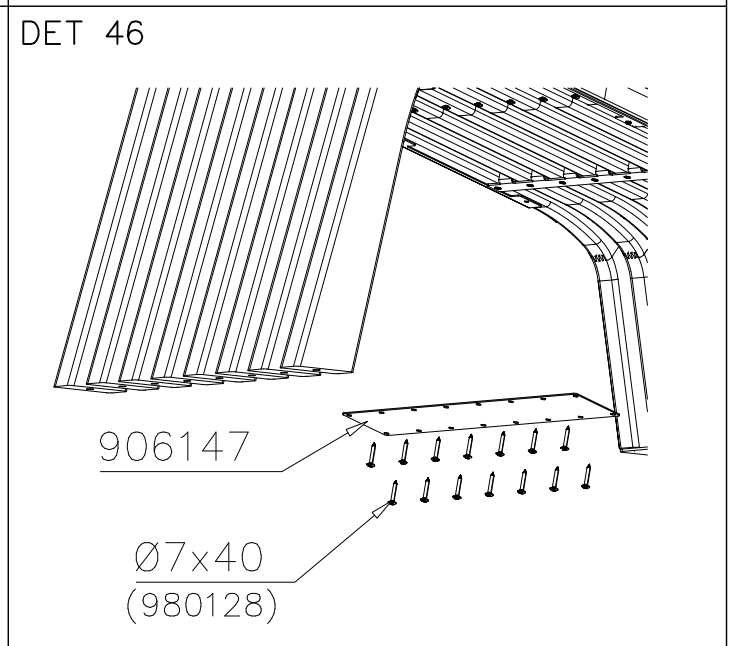
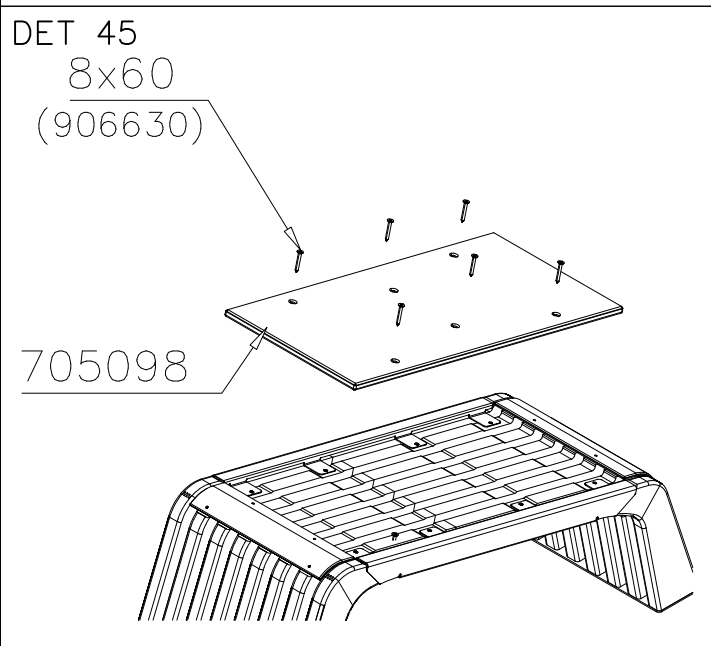
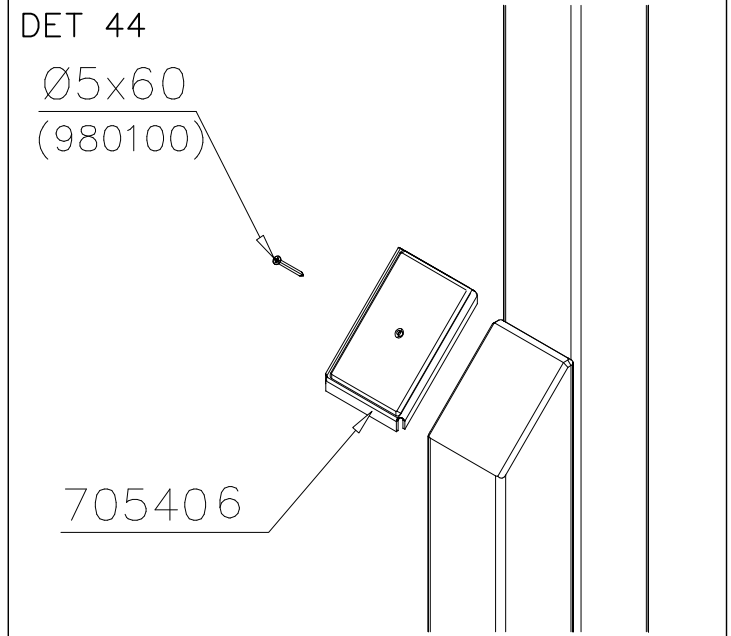
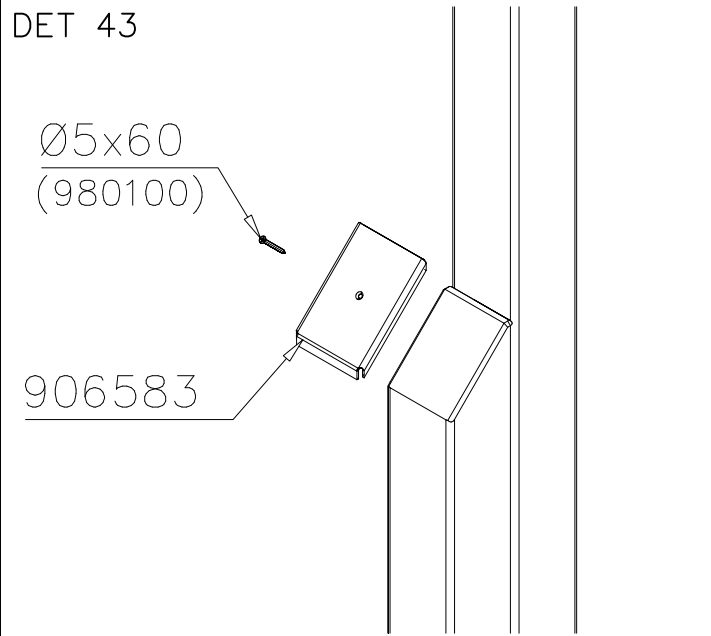
DET 35

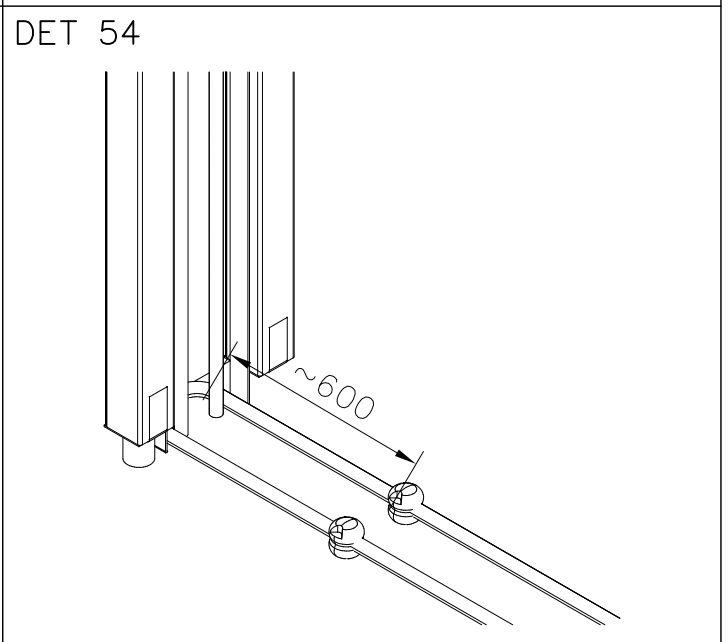
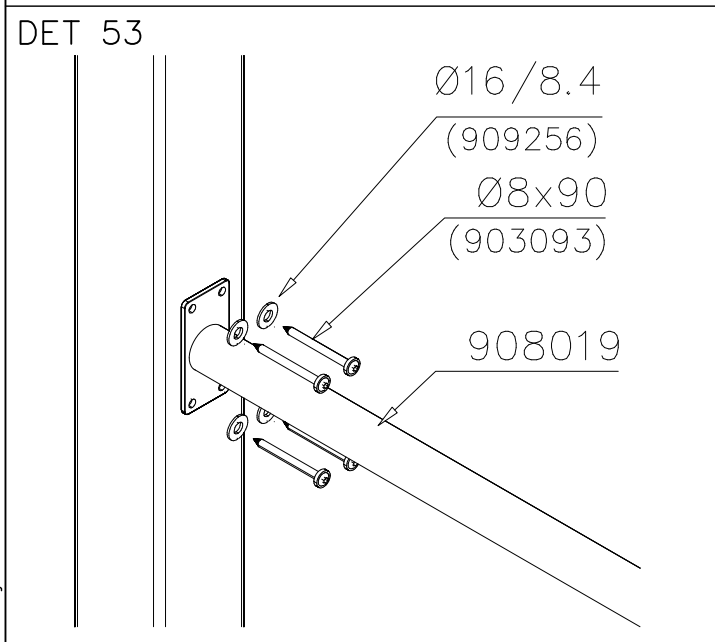
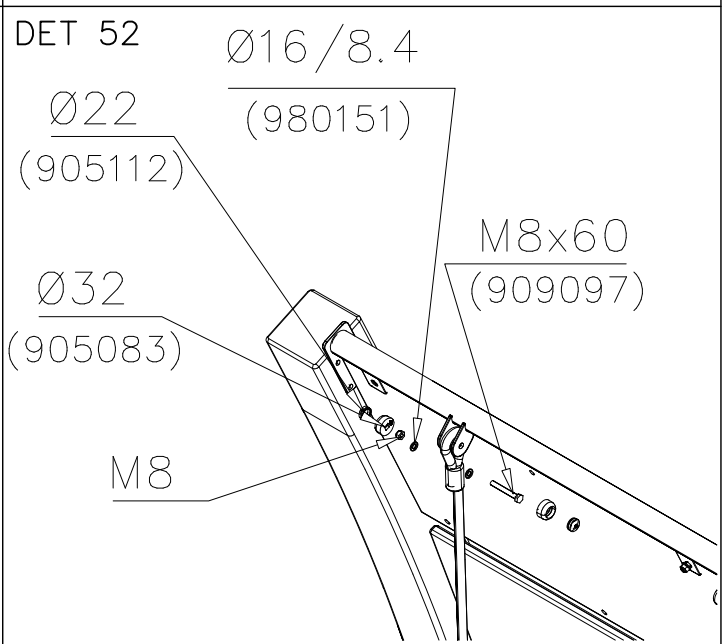
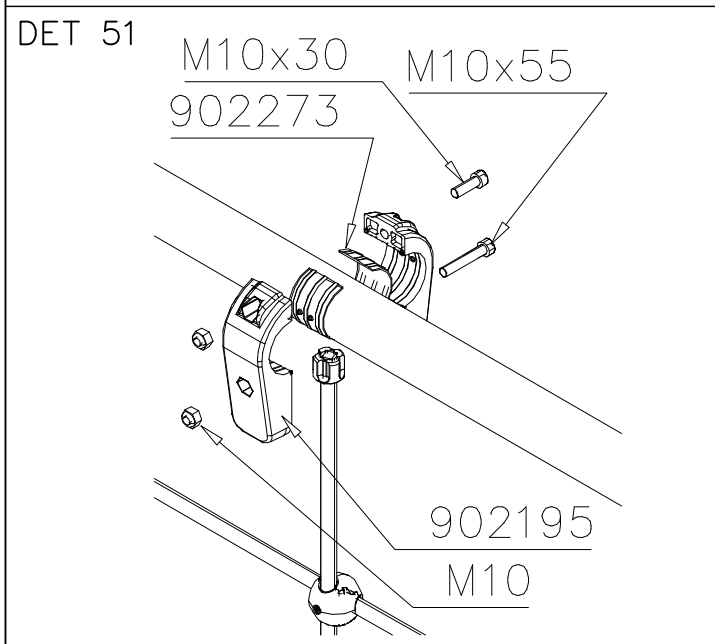
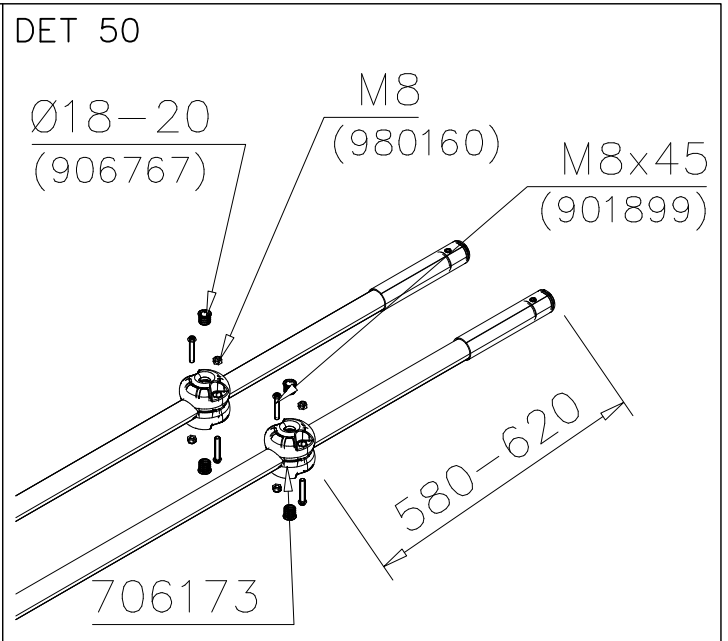
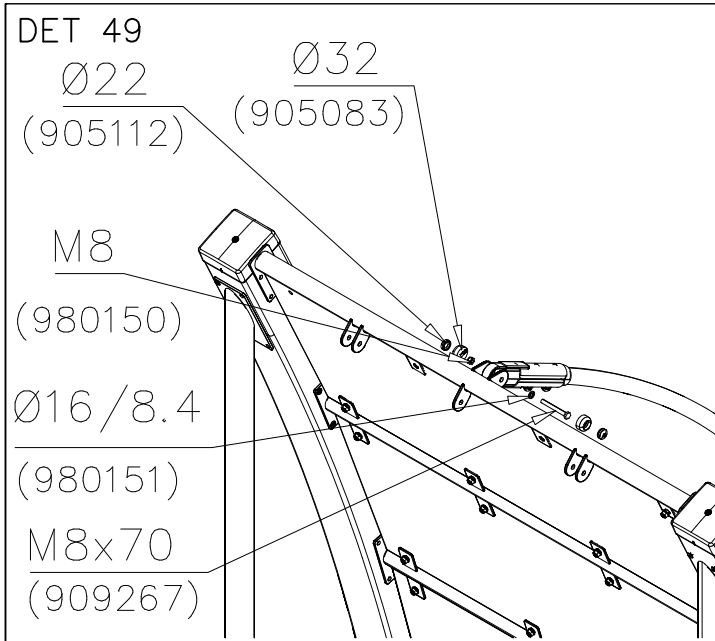


DET 36

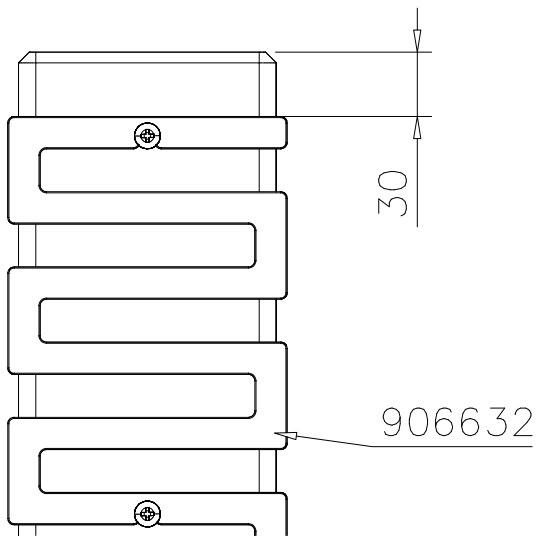




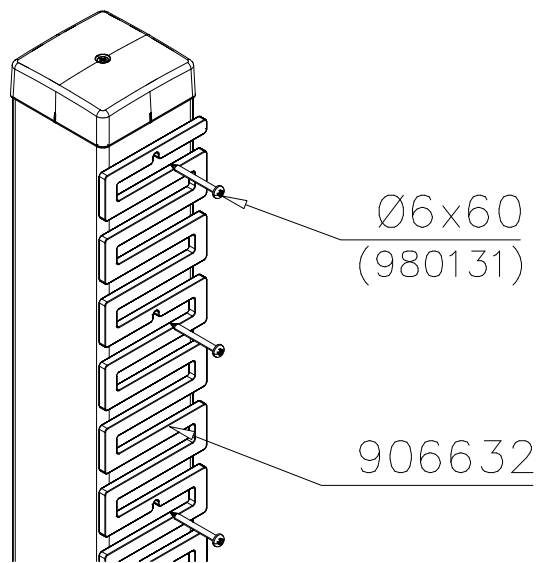




DET 55



DET 56

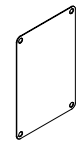



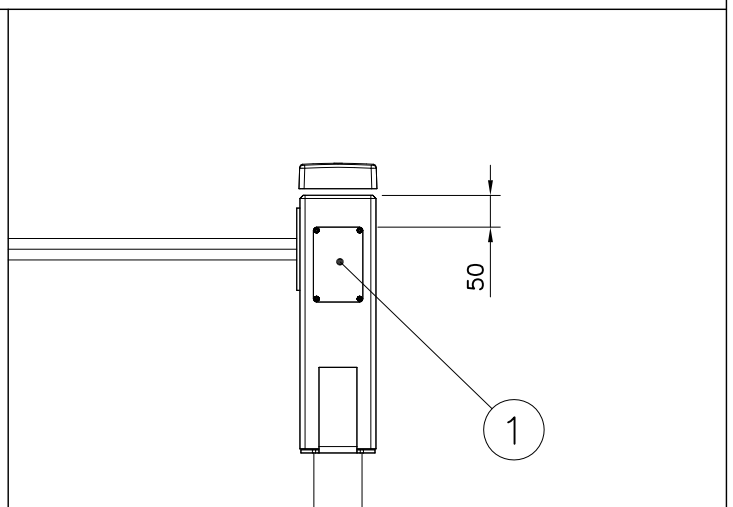
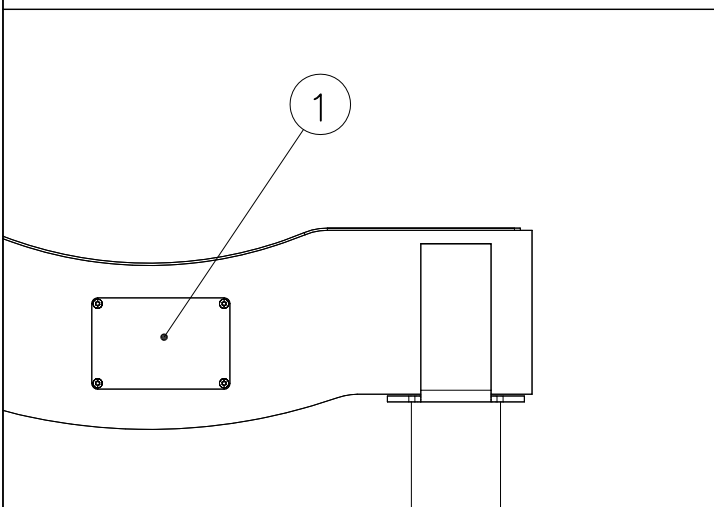
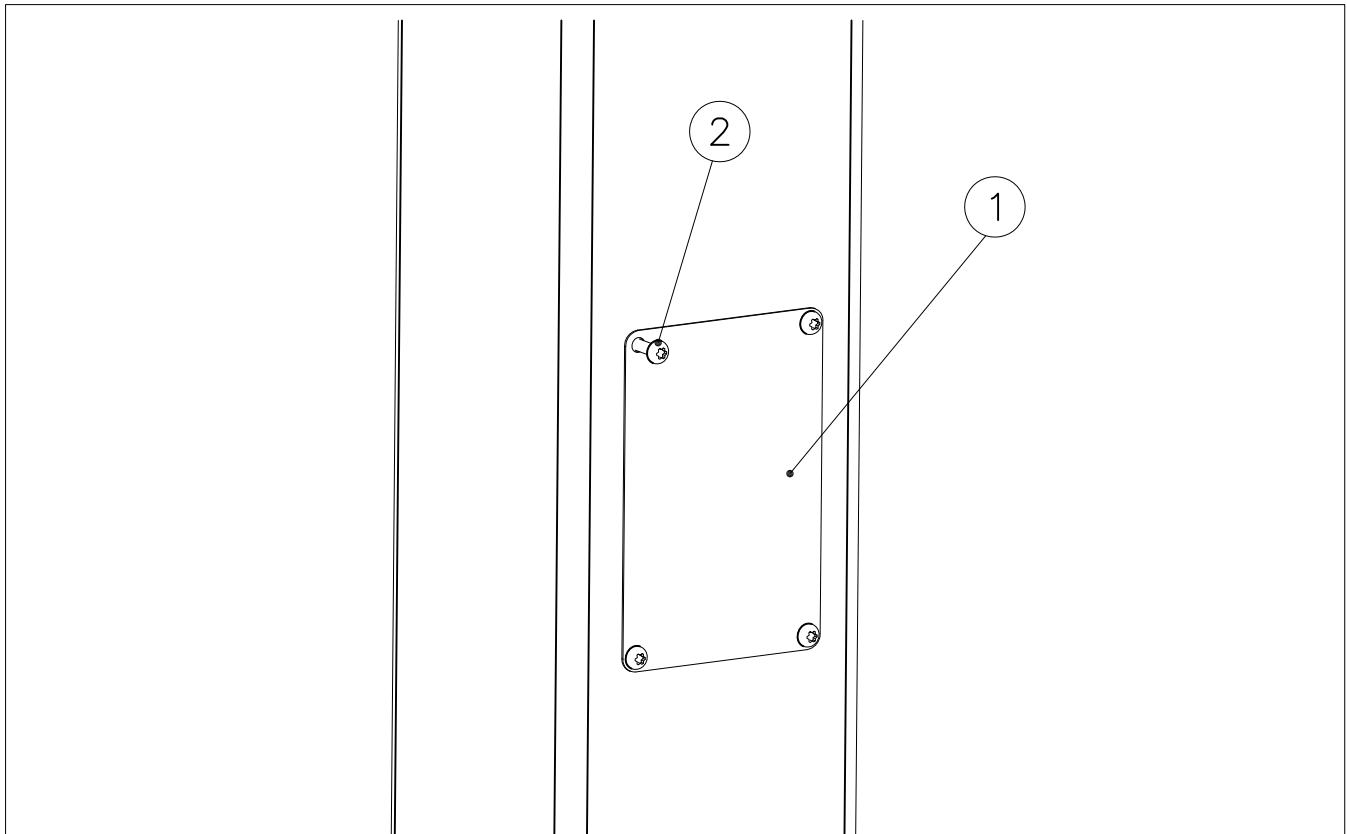
DET 57

DET 58

DET 59

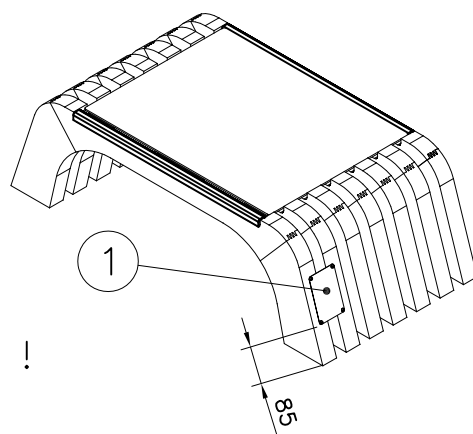
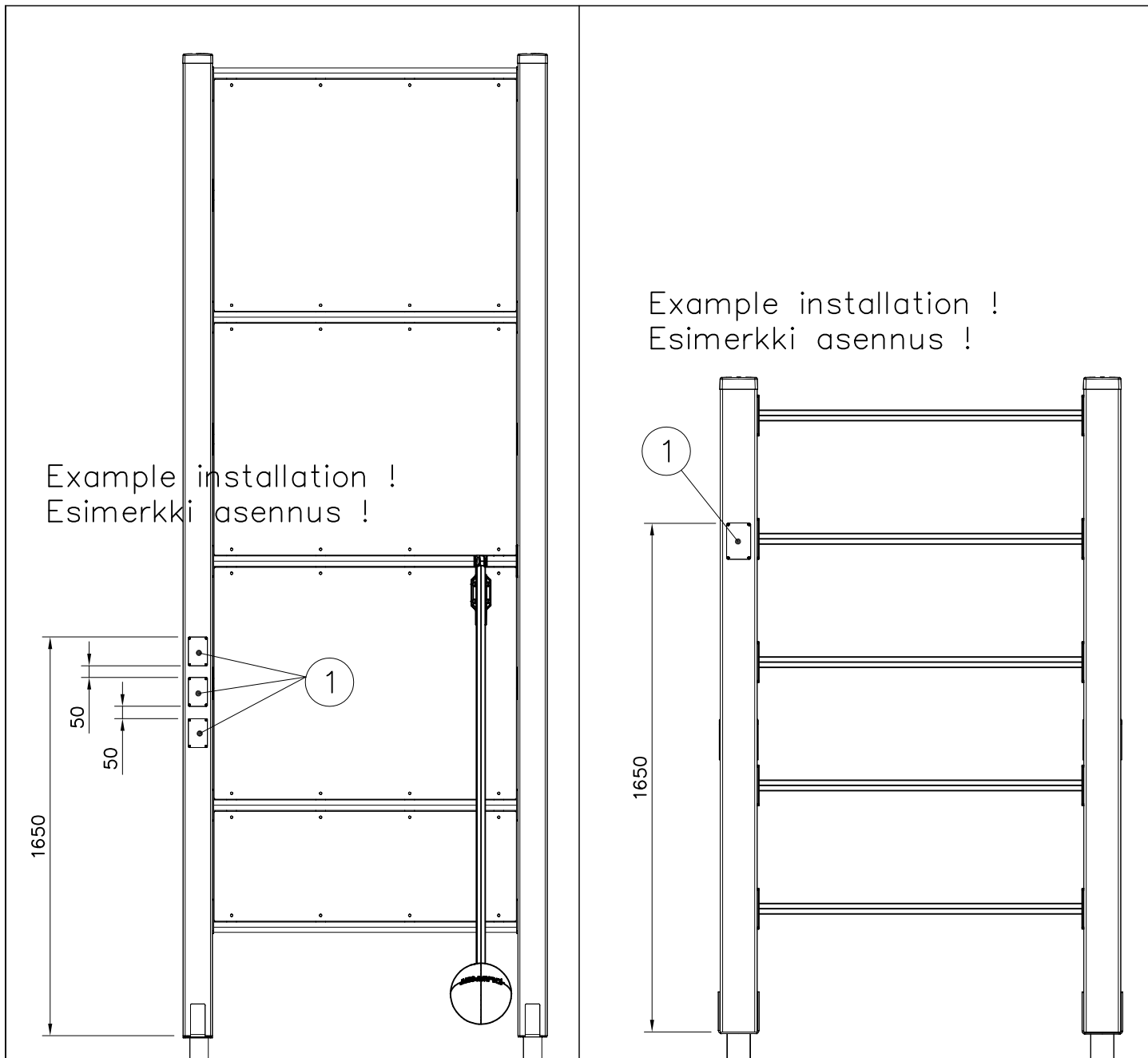
DET 60

① SHEET METAL	PCS	② 980114	PCS
	1		4
118x78x0.7		Ø4x20	



Example installation !
Esimerkki asennus !

Example installation !
Esimerkki asennus !



Example installation !
Esimerkki asennus !