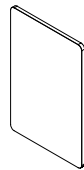
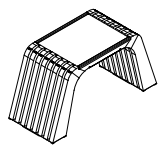


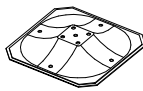
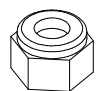
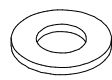
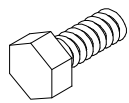
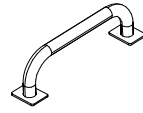
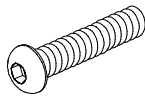


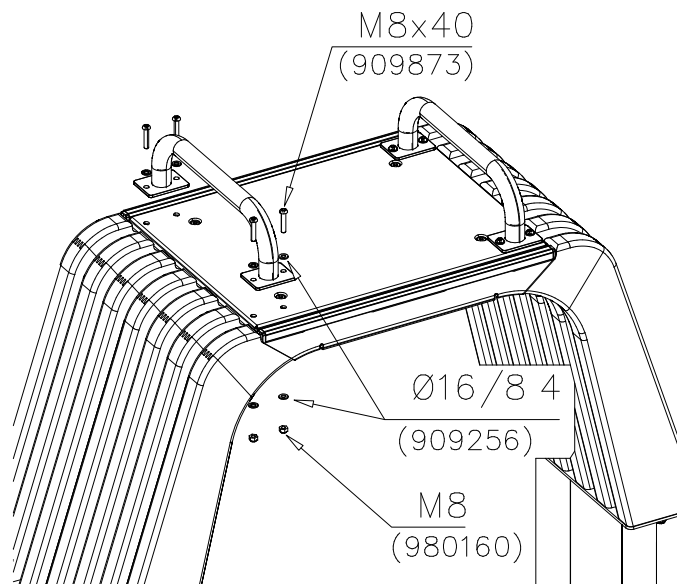


①	706057	PCS	②	705580	PCS
		1			1
③	902272	PCS	④	980114	PCS
		4			4
	90x90x450		Ø4x20		
⑤	909519	PCS	⑥	909637	PCS
		4			8
	50x380x380		M10		
⑦	909638	PCS	⑧	909639	PCS
		16			8
	Ø20/10.5		M10x25		
⑨	906635	PCS	⑩	909873	PCS
		2			8
			M8x40		
⑪	909256	PCS	⑫	980160	PCS
		16			8
	Ø16/8.4		M8 A2		
		PCS			PCS
		PCS			PCS

DET 1

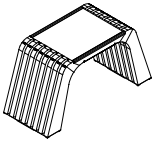
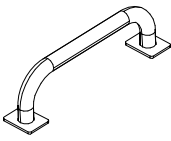


# WINAM GROUP SPORT

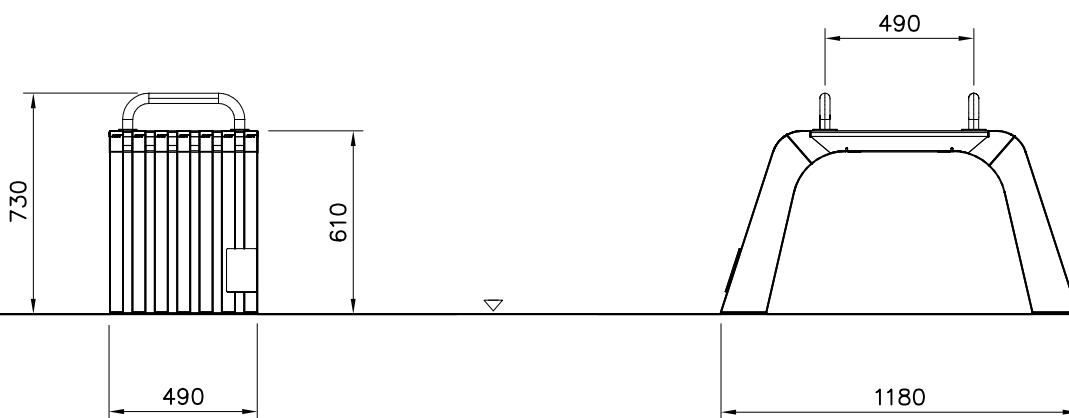
## 081470M

DATE: 25.8.2017



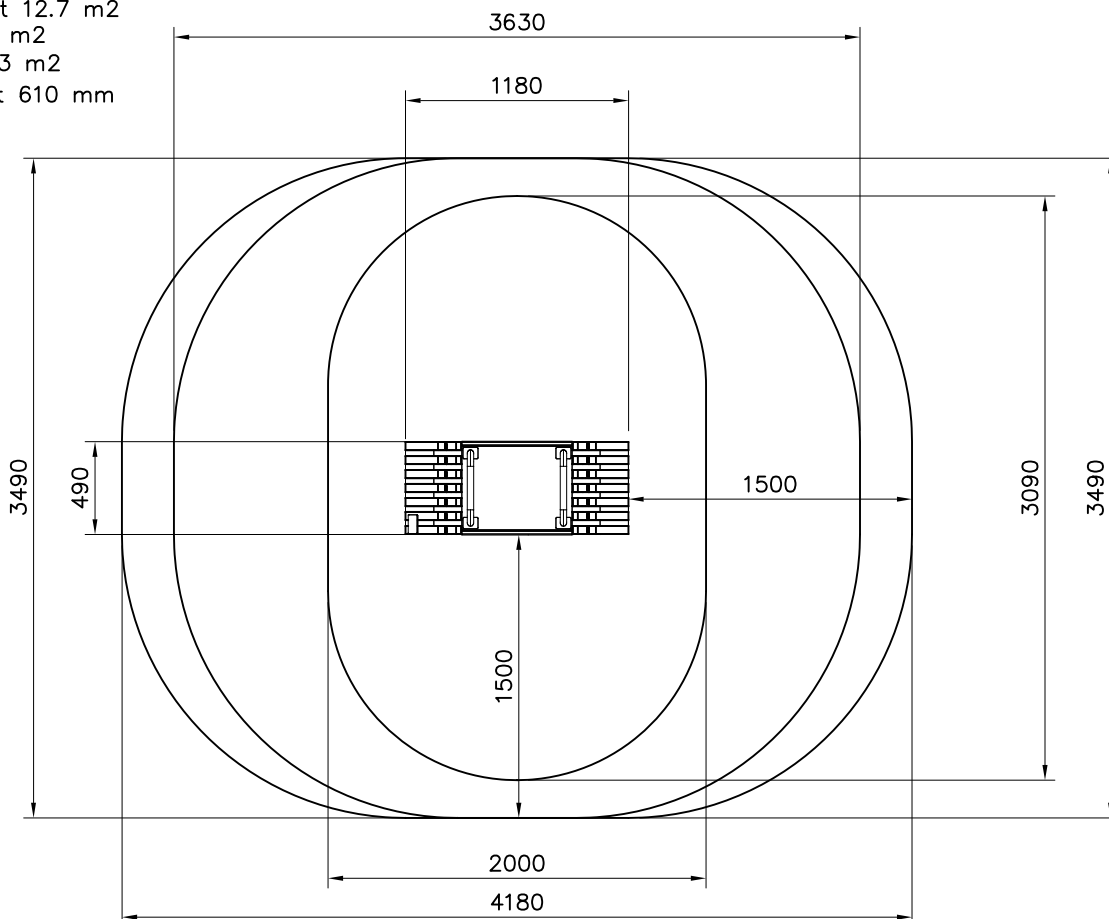
Box L options:		Bars options:	
 BOX L	705580-602	Dark Brown	 BAR
	705580-603	Light Brown	
	705580-604	Gray	

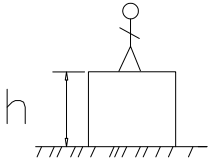



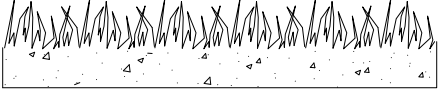

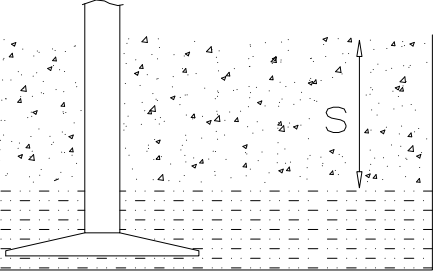
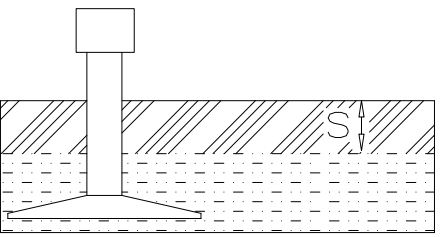
1: 25



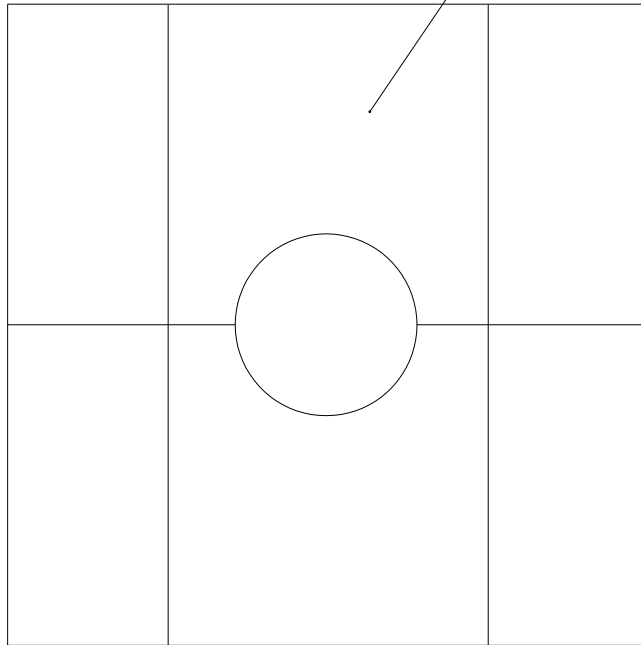
Area of Movement 12.7 m<sup>2</sup>  
 Impact Area 10.7 m<sup>2</sup>  
 Training Space 5.3 m<sup>2</sup>  
 Max Falling Height 610 mm

1: 40

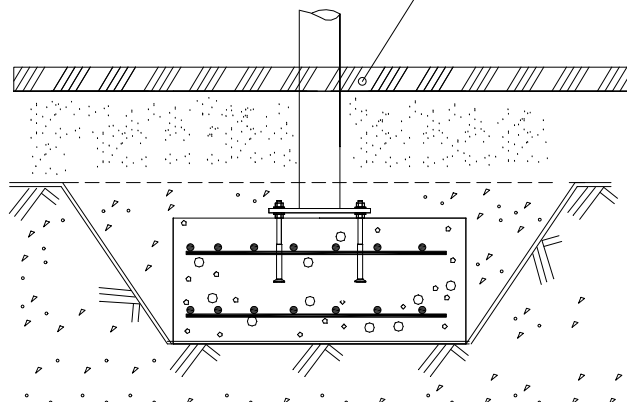


												
<p><b><math>h &lt; 600</math></b></p> <p>Without movement and therefore without Impact Area</p>	<p>Totally hard surfaces.</p> <p>Note. Lappset does <u>not</u> recommend totally hard surfaces at all.</p>	<p>E.g. concrete or asphalt</p> 										
<p><b><math>h &lt; 600</math></b></p> <p>With movement e.g. rocking</p>	<p>Materials with very limited impact attenuating properties.</p>	<p>E.g. wood</p> 										
<p><b><math>h &lt; 1000</math></b></p>	<p>Materials with significant impact attenuating properties.</p>	<p>fine gravel 0–8 mm</p>  <p>grass</p>  <p>unsorted sand</p> 										
<p><b><math>h &lt; 3000</math></b></p>	<p>Loose fill material</p> <p>E.g. sand/gravel 0,25...8 mm D60/D10&lt;3,0 Woodchips 5...30 mm bark 20...80 mm</p>	 <table data-bbox="1021 1691 1332 1792"> <tr> <td><math>\underline{S}</math></td> <td><math>\underline{h}</math></td> </tr> <tr> <td>30 cm</td> <td>&lt; 2,0 m</td> </tr> <tr> <td>40 cm</td> <td>&lt; 3,0 m</td> </tr> </table>	$\underline{S}$	$\underline{h}$	30 cm	< 2,0 m	40 cm	< 3,0 m				
$\underline{S}$	$\underline{h}$											
30 cm	< 2,0 m											
40 cm	< 3,0 m											
	<p>Syntethic granulates</p> <table data-bbox="406 1892 758 2060"> <tr> <td><math>\underline{S}</math></td> <td><math>\underline{h}</math></td> </tr> <tr> <td>40 mm</td> <td>~&gt; 1,2...1,3 m</td> </tr> <tr> <td>50 mm</td> <td>~&gt; 1,5...1,7 m</td> </tr> <tr> <td>60 mm</td> <td>~&gt; 1,8...2,0 m</td> </tr> <tr> <td>70 mm</td> <td>~&gt; 2,1...2,5 m</td> </tr> </table> <p>Note. For accurate values, see manufacturer's instructions.</p>	$\underline{S}$	$\underline{h}$	40 mm	~> 1,2...1,3 m	50 mm	~> 1,5...1,7 m	60 mm	~> 1,8...2,0 m	70 mm	~> 2,1...2,5 m	
$\underline{S}$	$\underline{h}$											
40 mm	~> 1,2...1,3 m											
50 mm	~> 1,5...1,7 m											
60 mm	~> 1,8...2,0 m											
70 mm	~> 2,1...2,5 m											

REMOVE SAFETY SURFACE/SAND/GRAVEL  
TO CHECK FOUNDATION



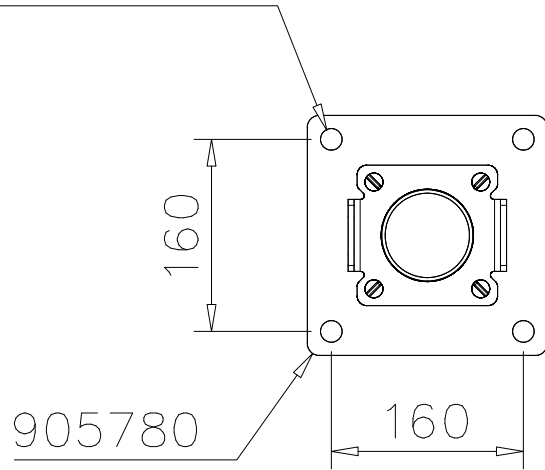
REMOVE SAFETY SURFACE/SAND/GRAVEL  
TO CHECK FOUNDATION



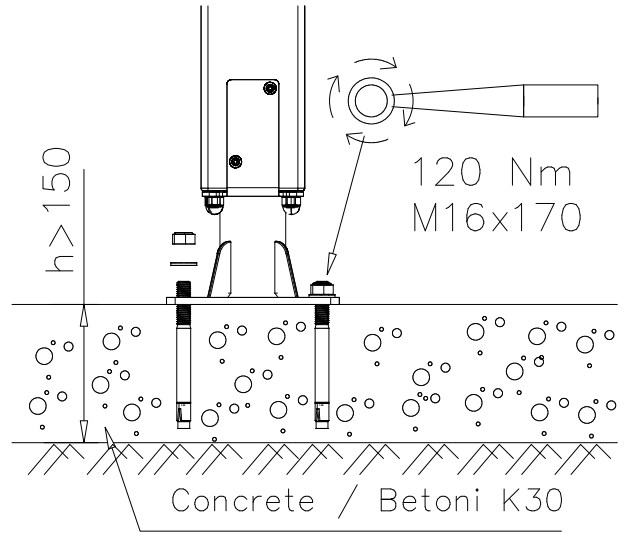


DET 1

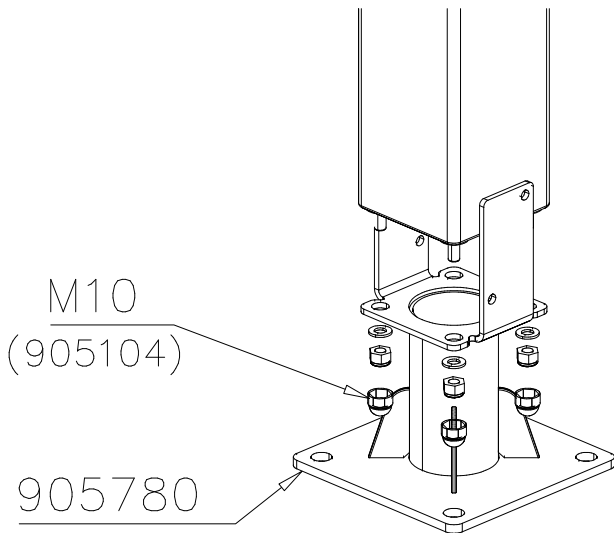
$\varnothing 16 \downarrow > 130$



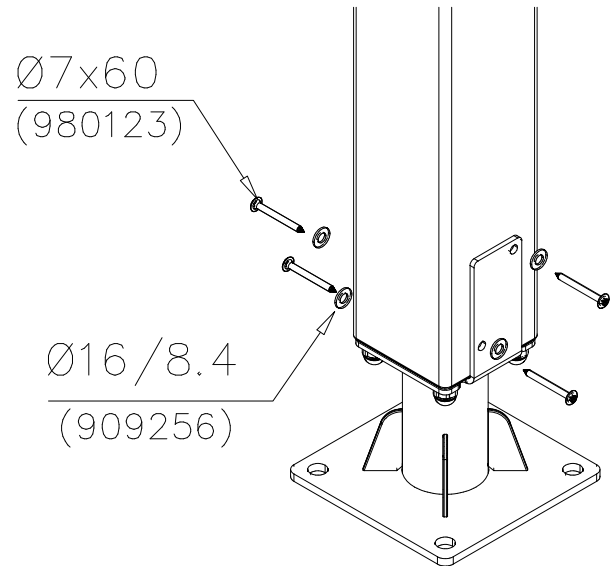
DET 2



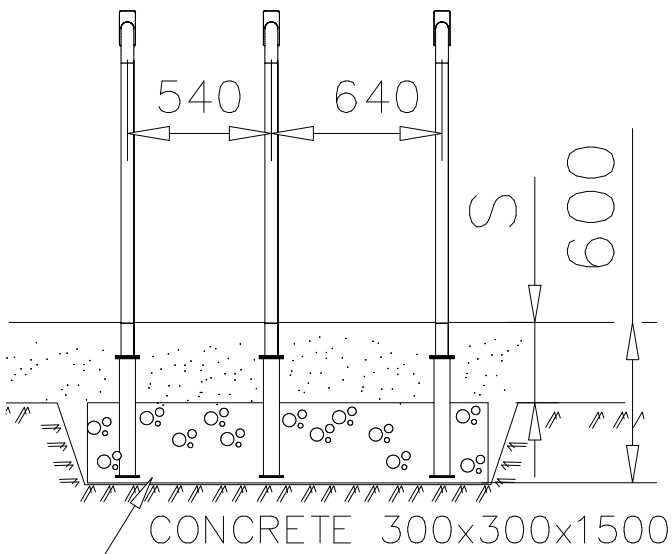
DET 3



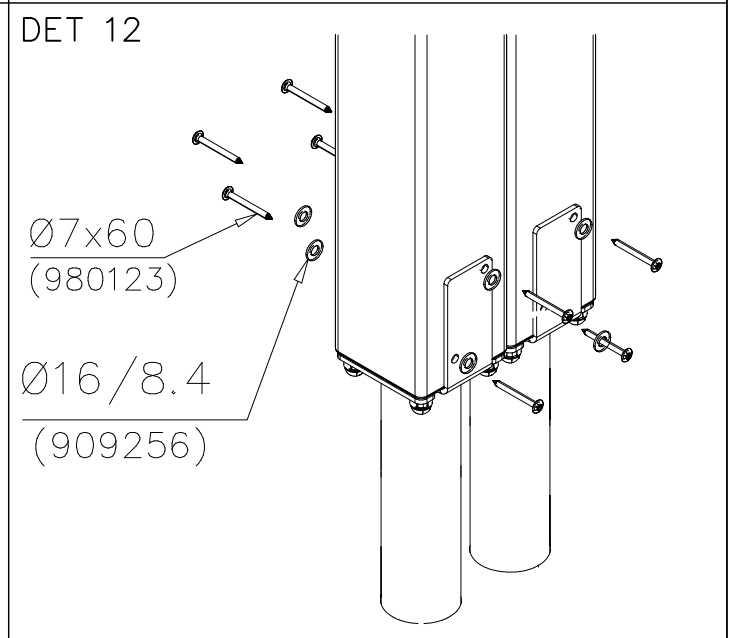
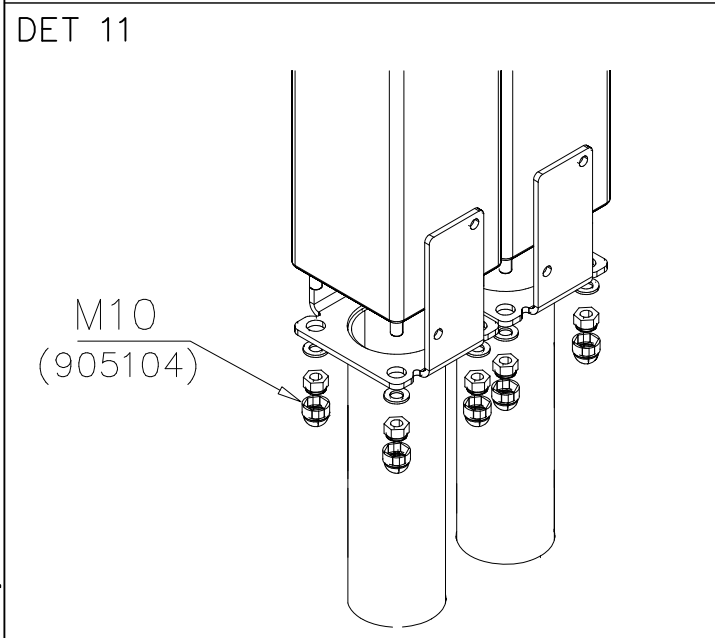
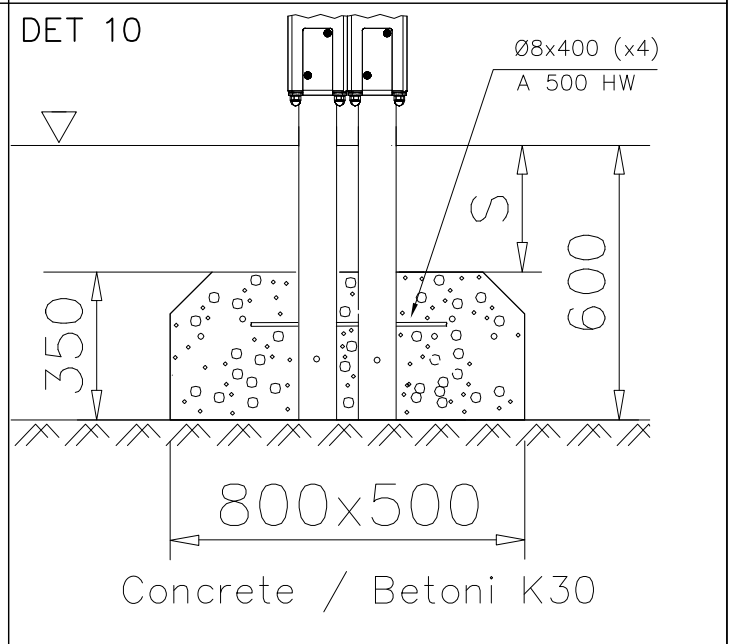
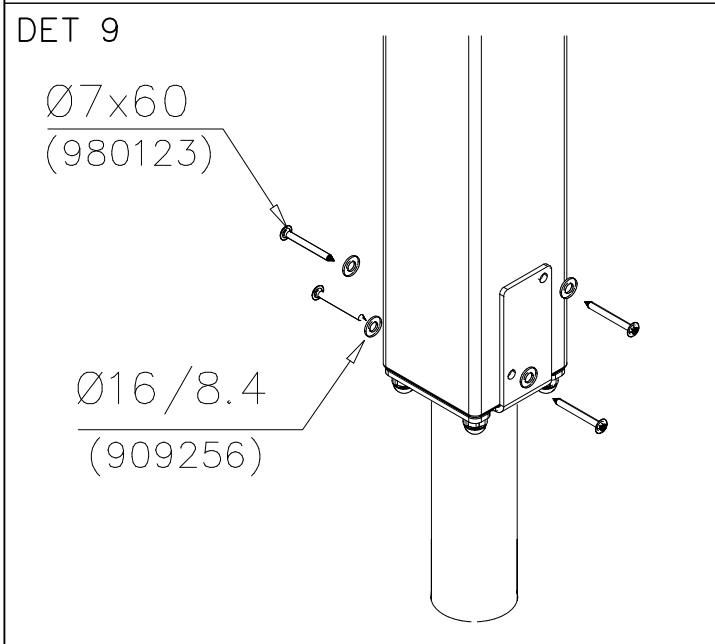
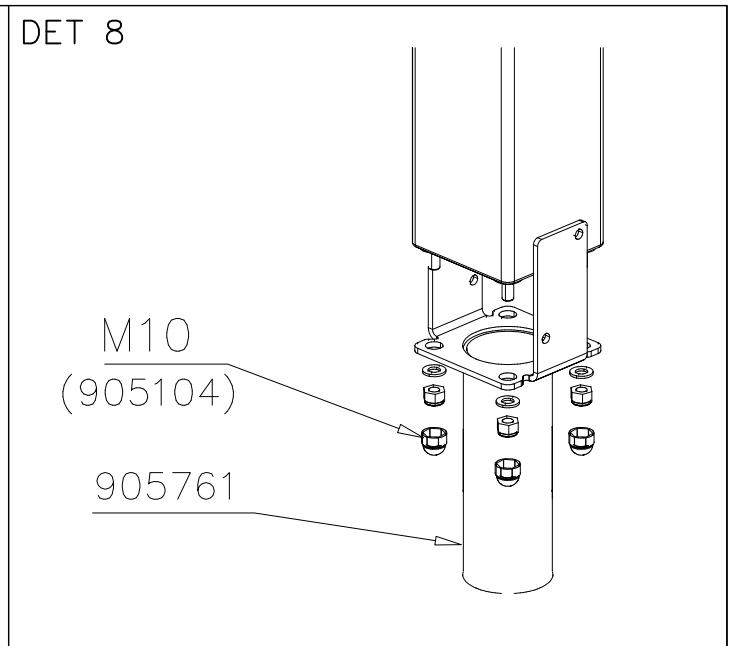
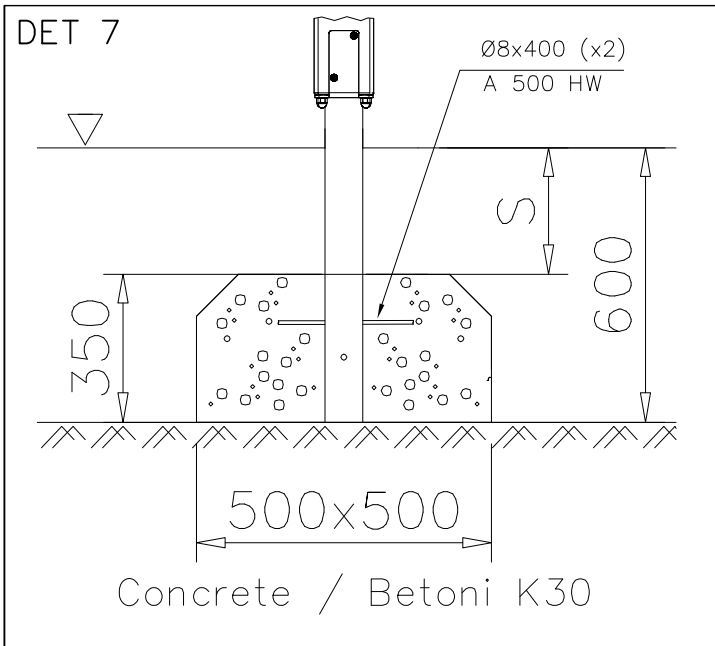
DET 4

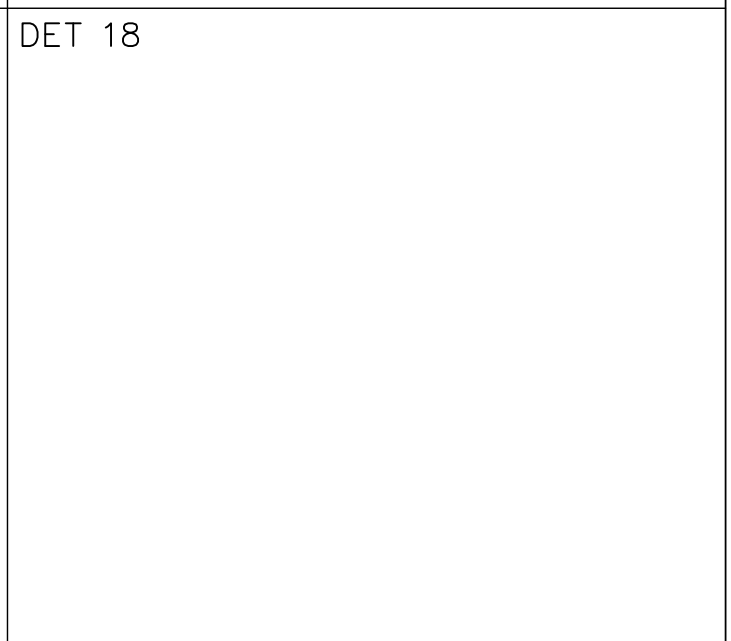
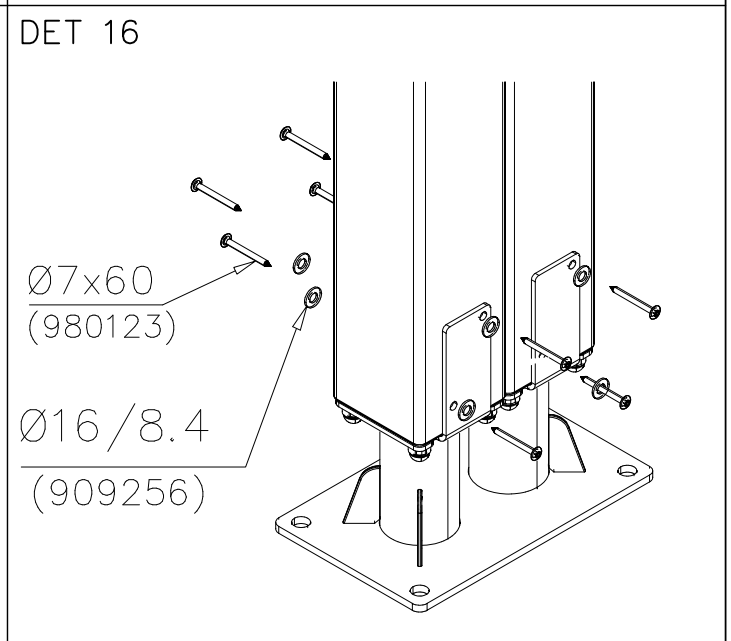
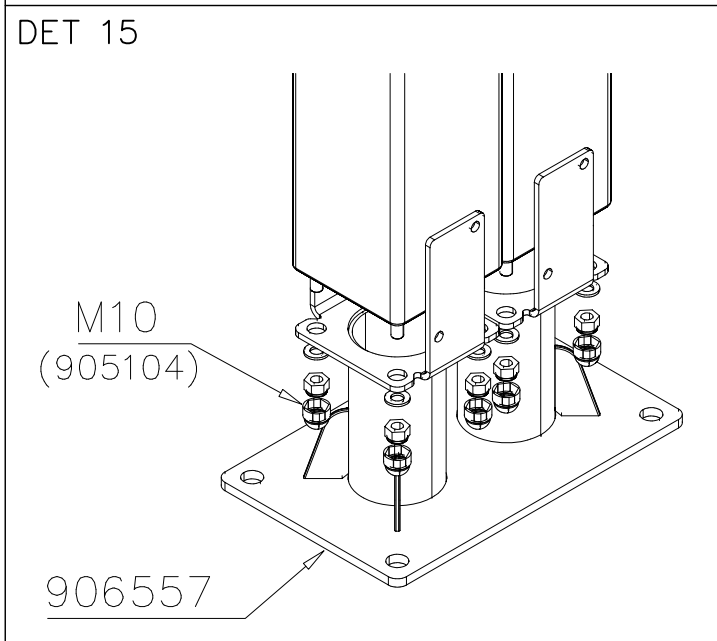
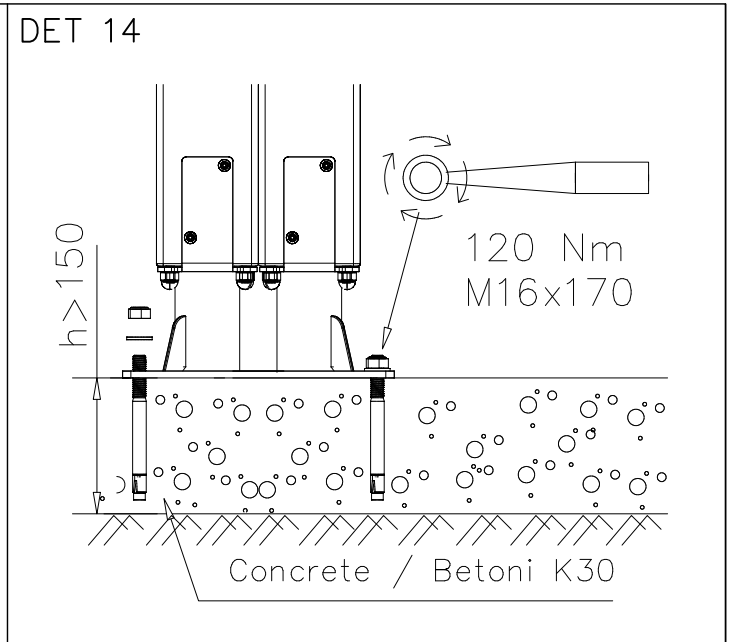
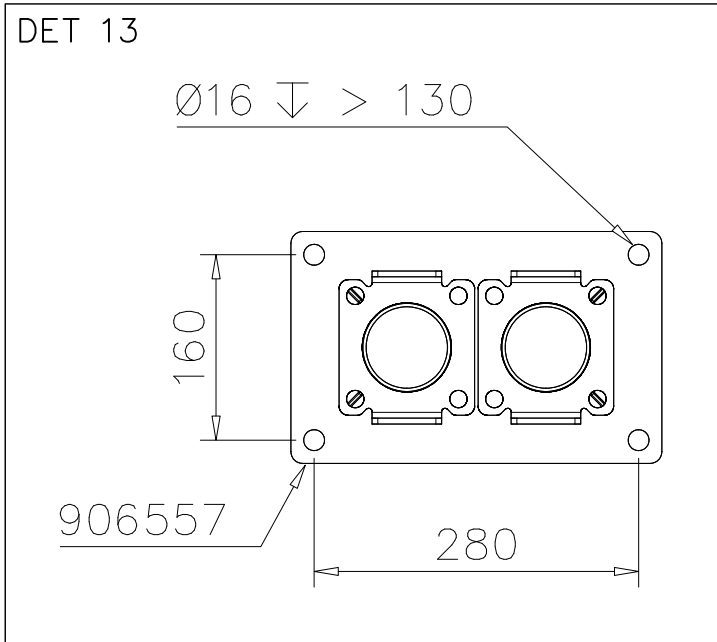


DET 5



DET 6

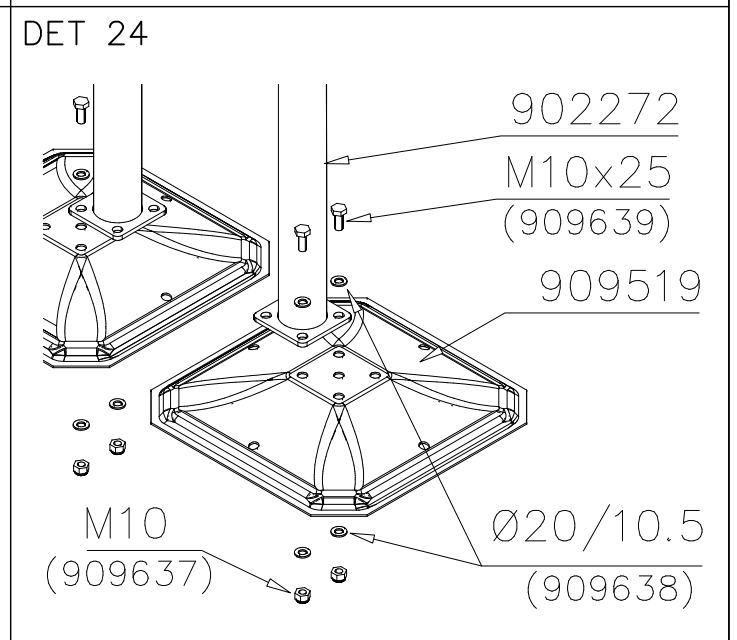
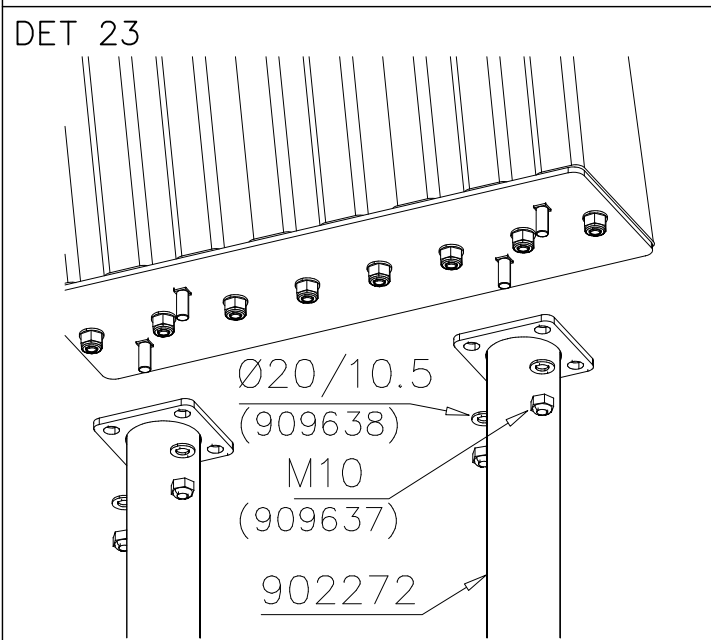
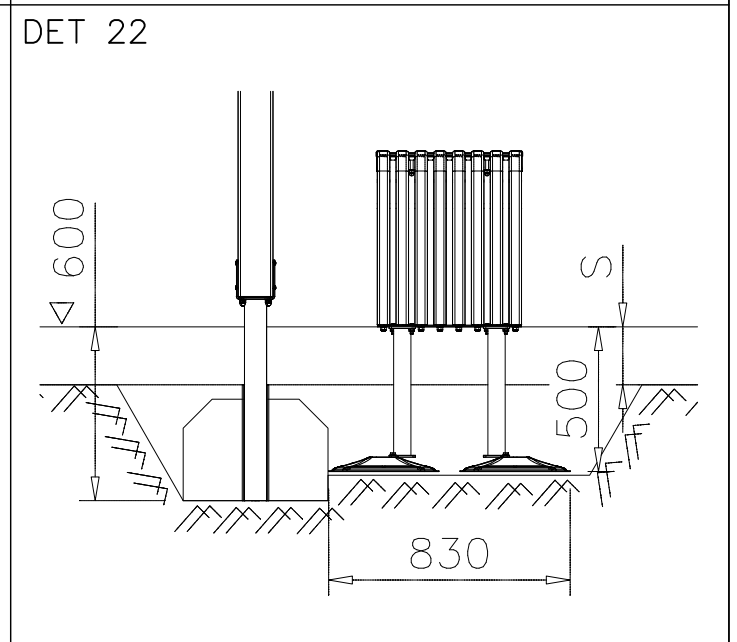
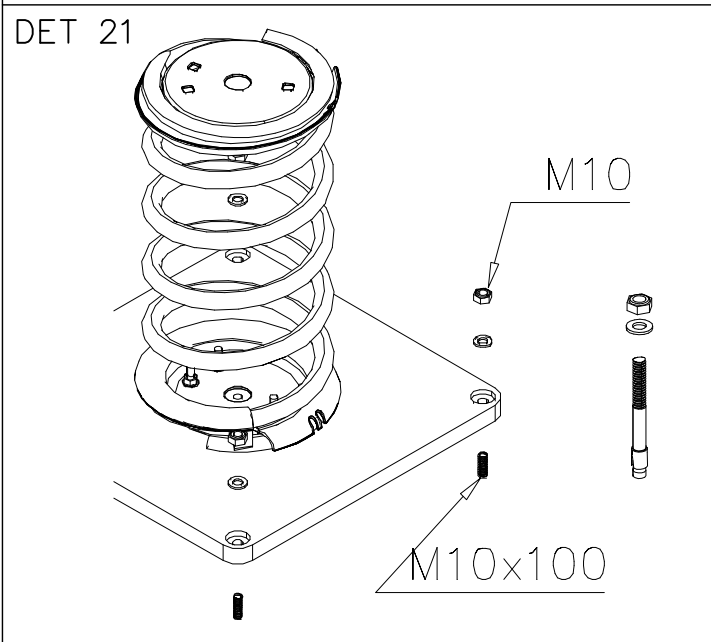
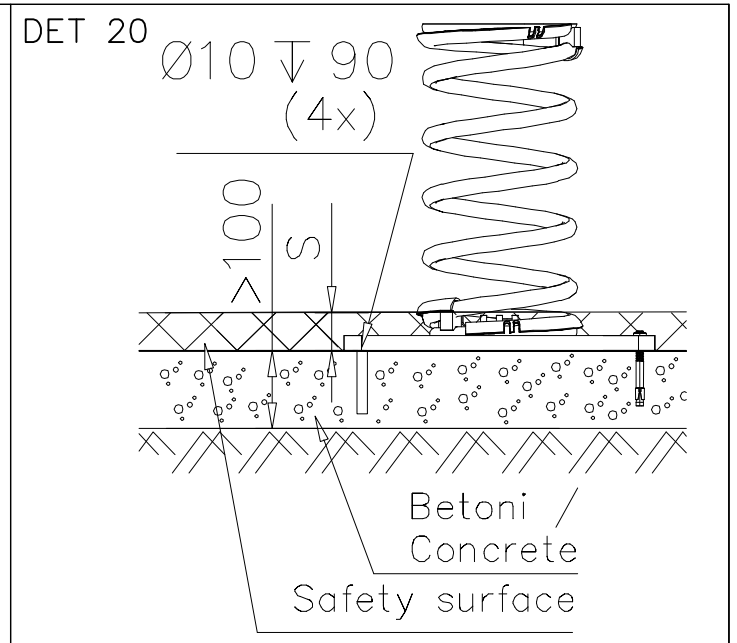
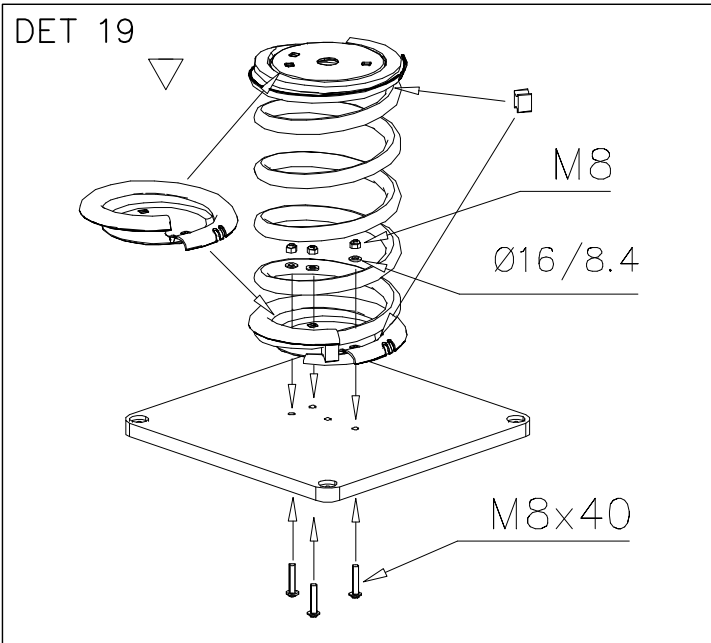


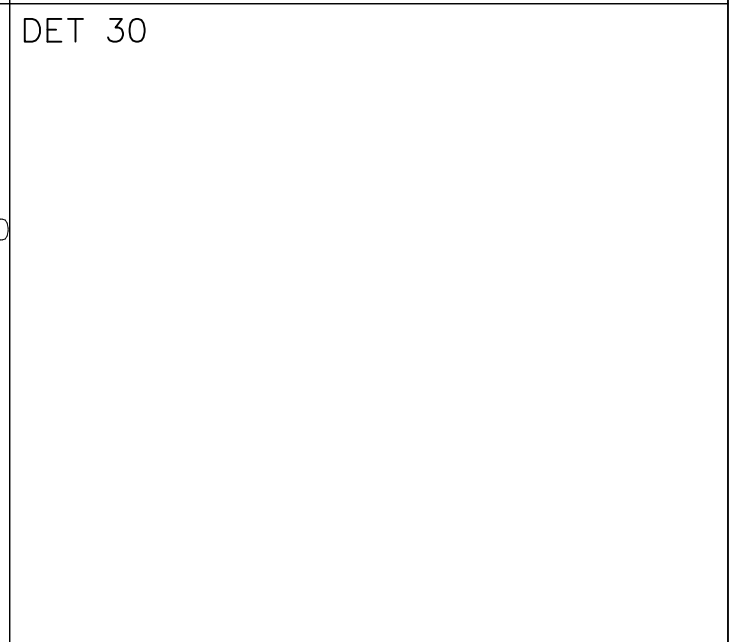
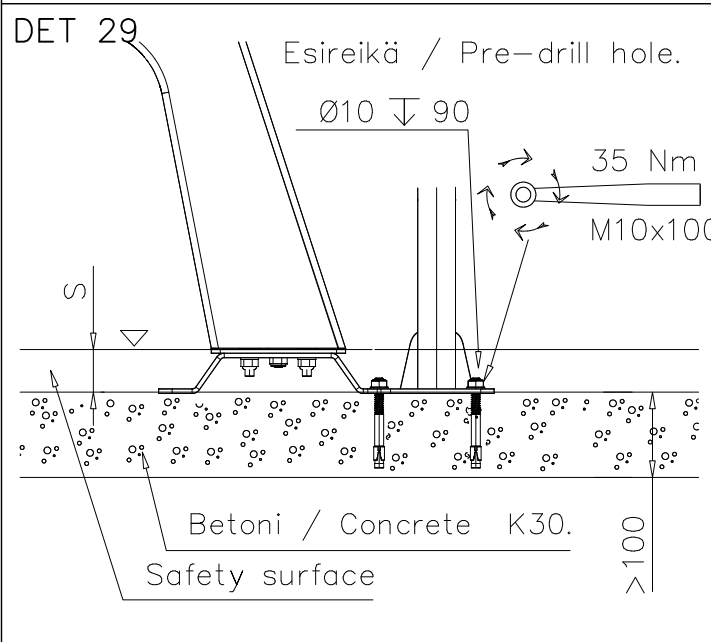
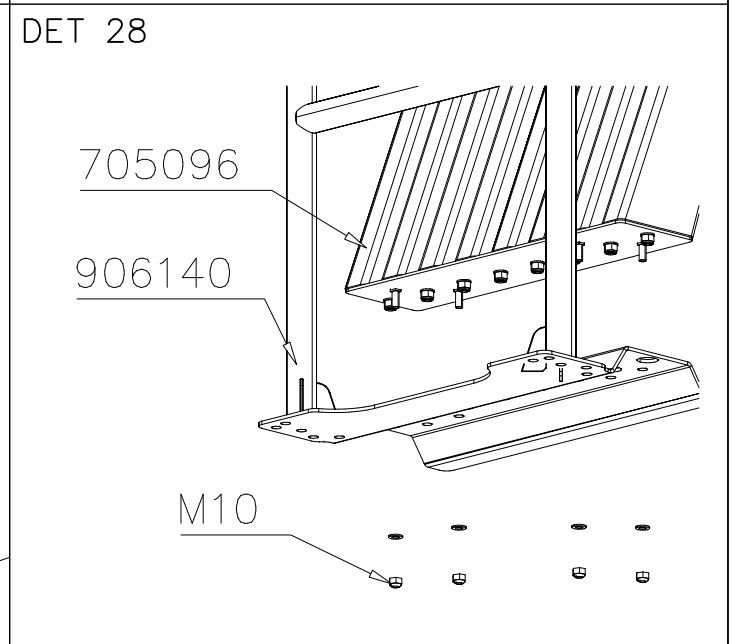
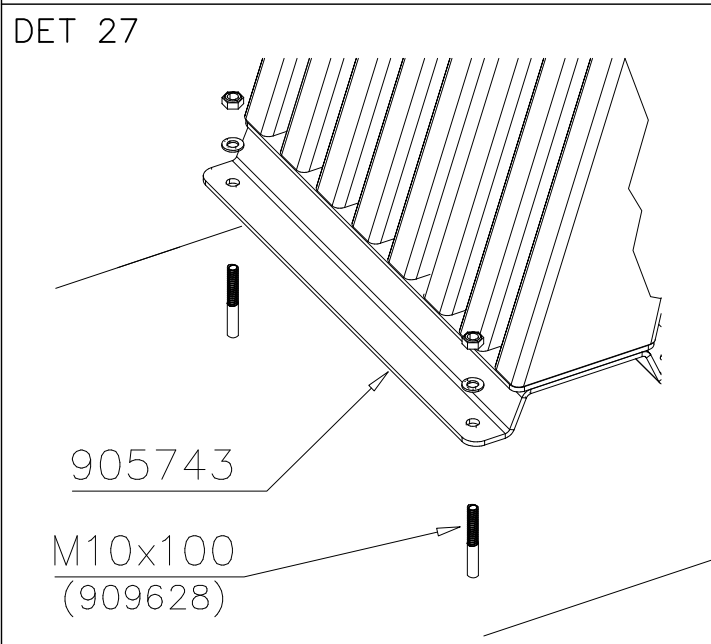
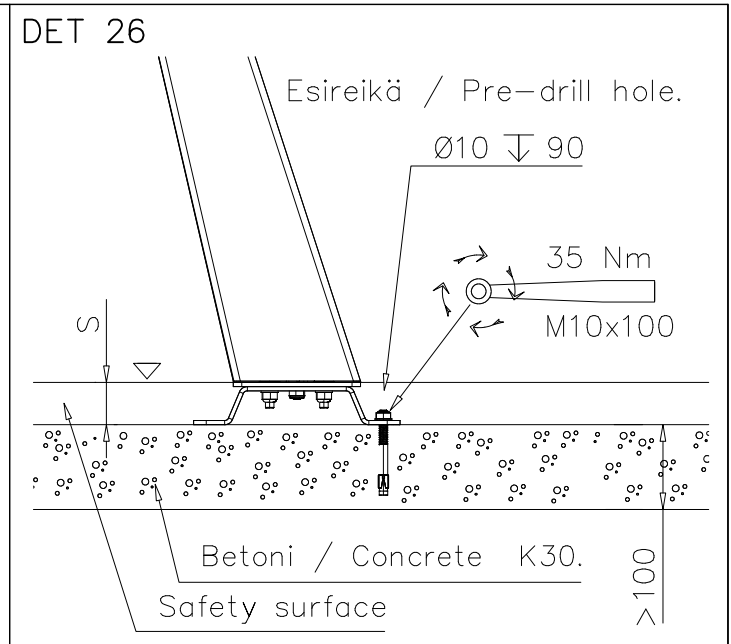
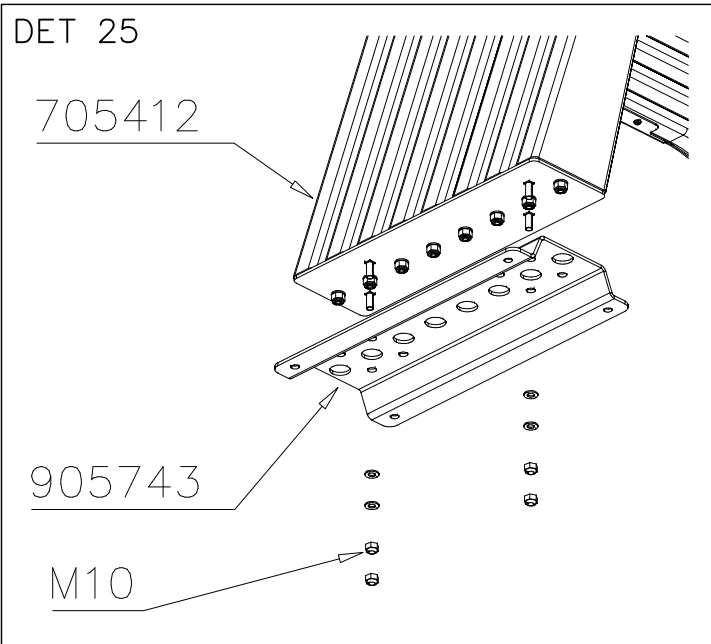


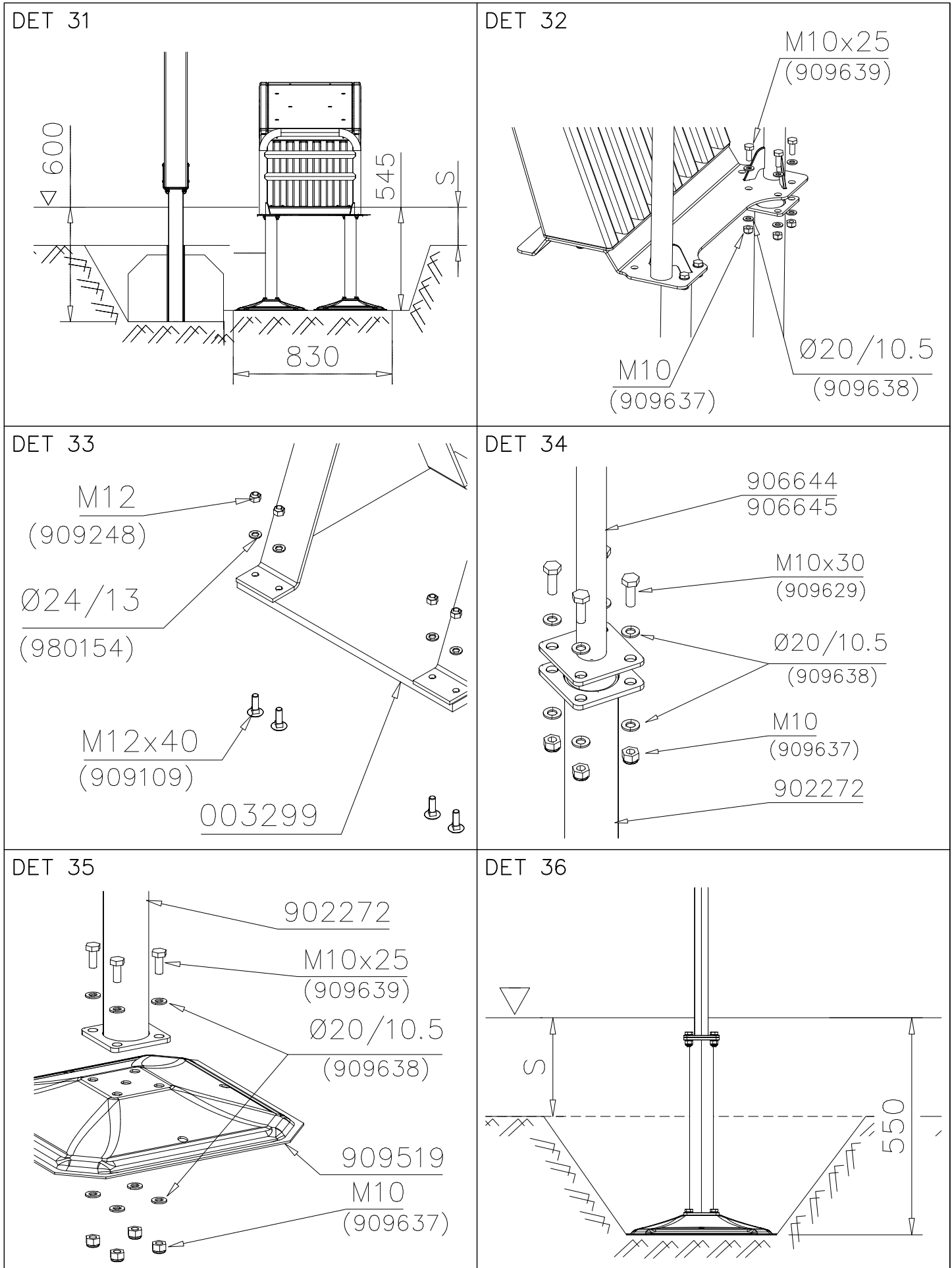
# WINAM GROUP SPORT

# BASE

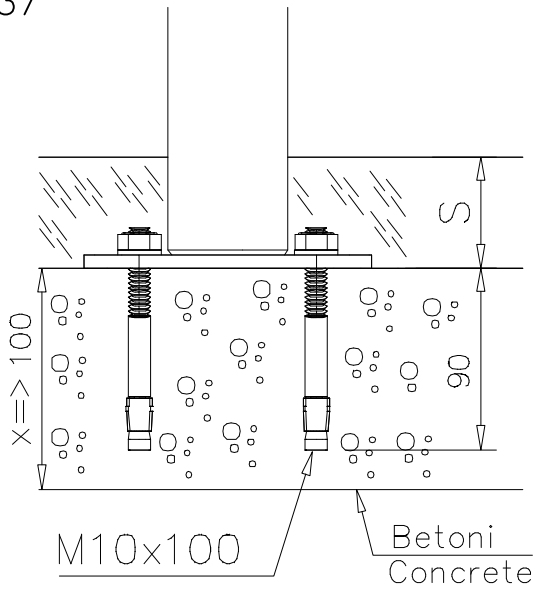
DATE: 29.4.2015



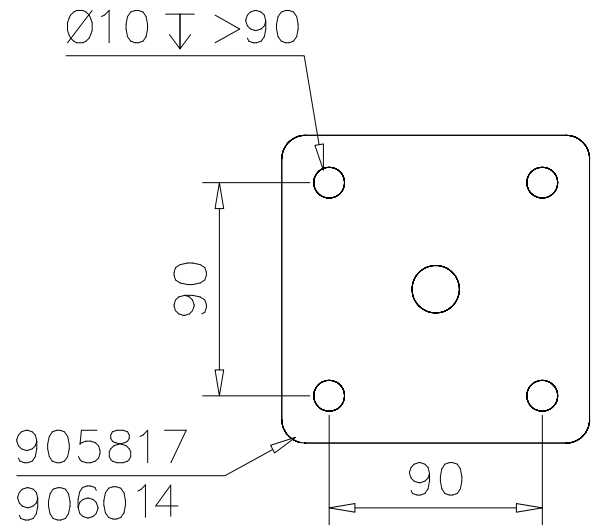




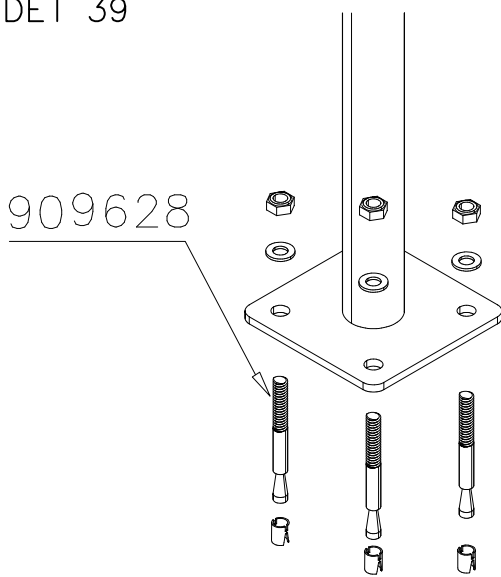
DET 37



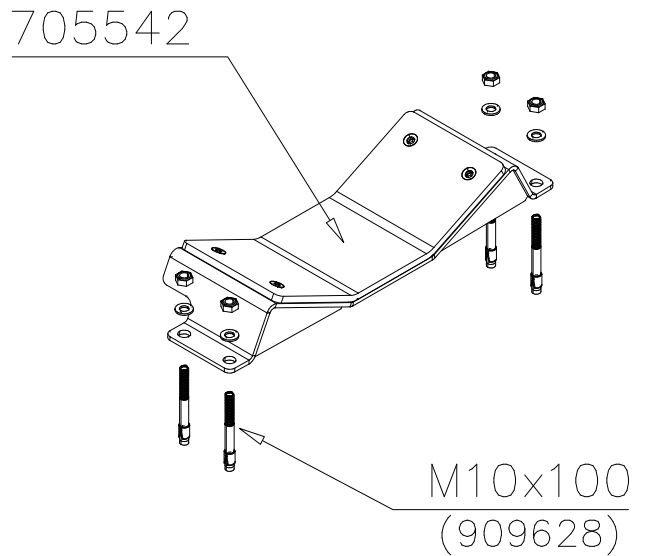
DET 38



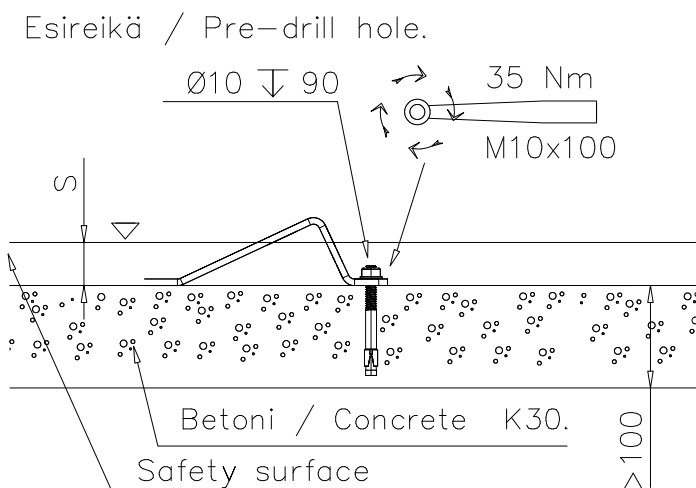
DET 39



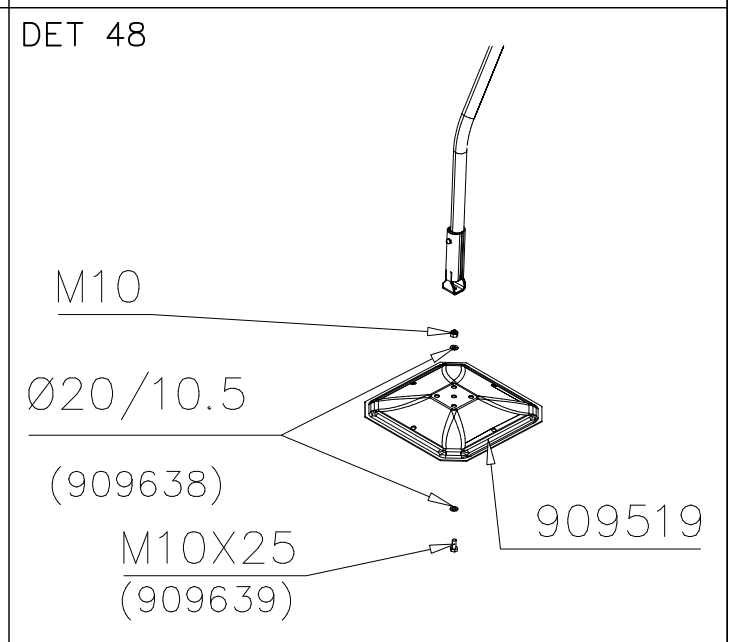
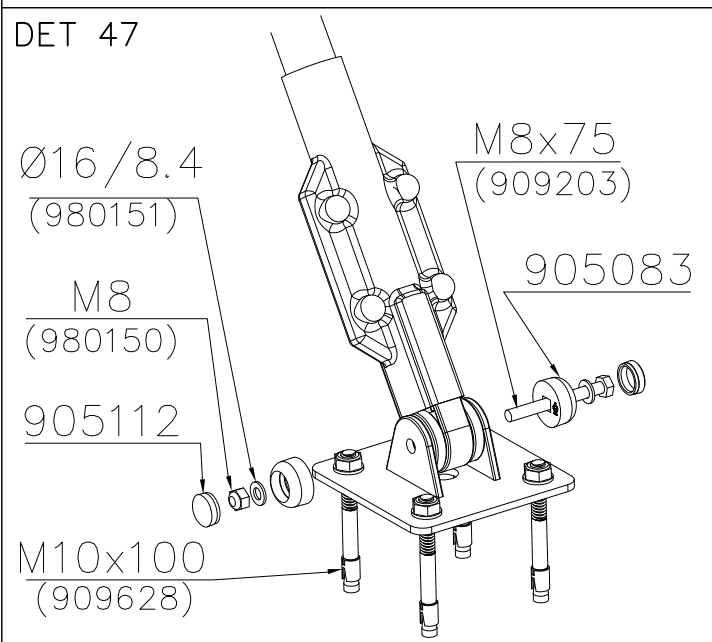
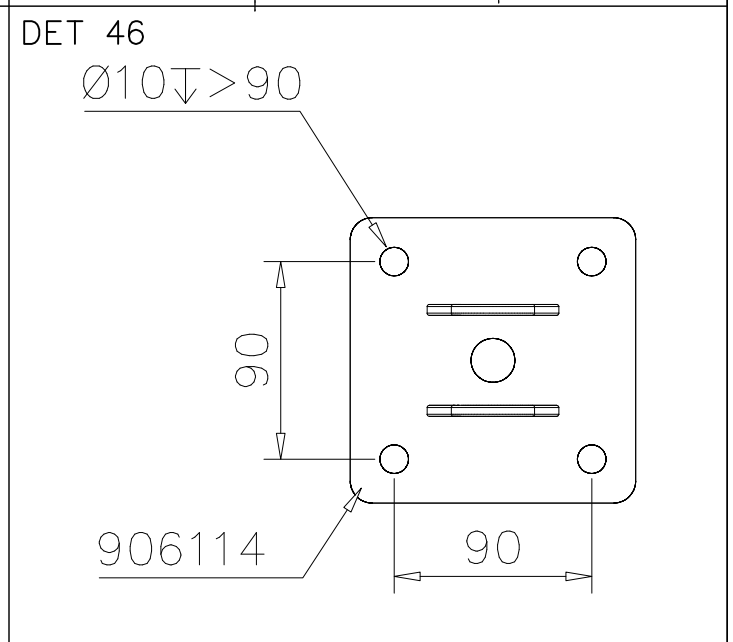
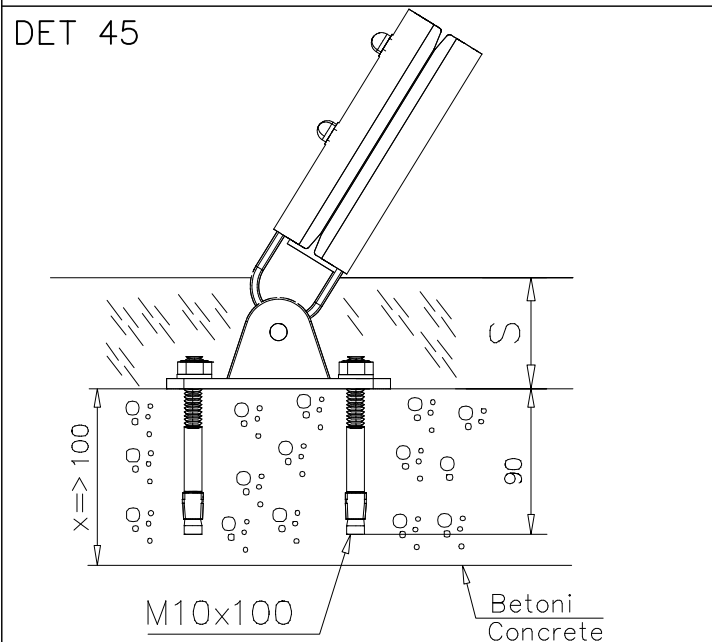
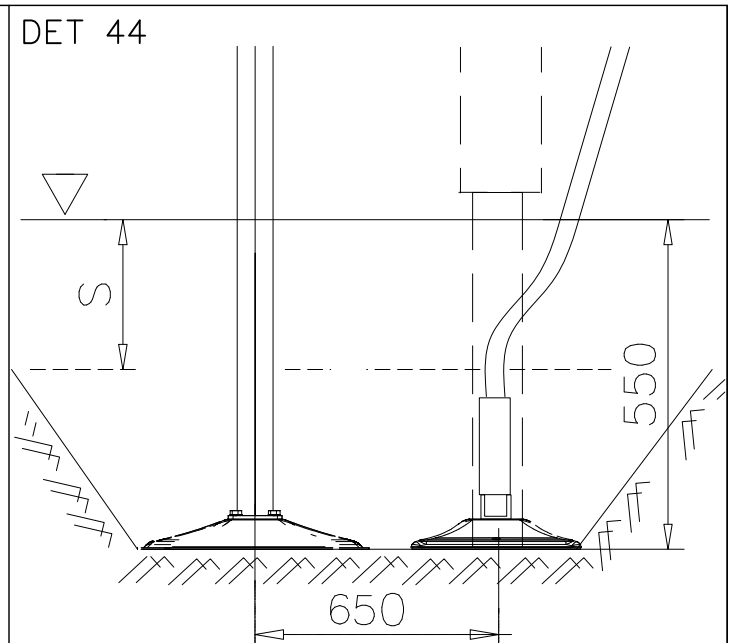
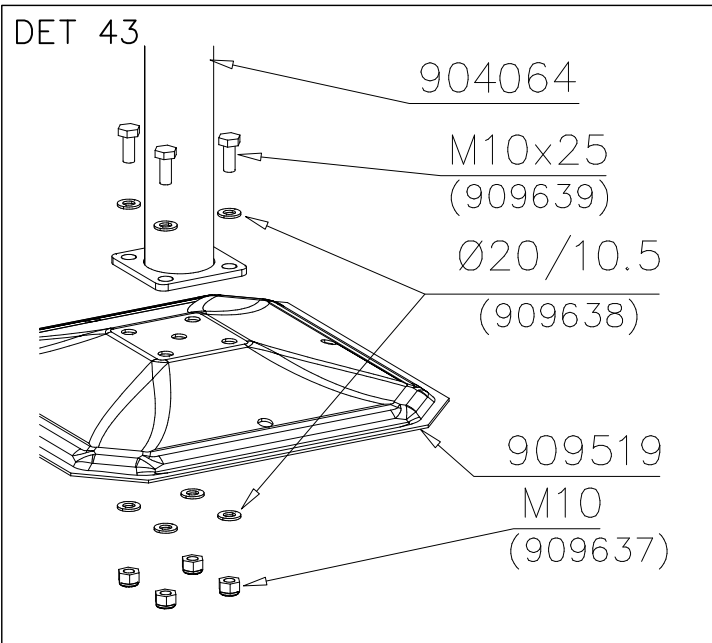
DET 40



DET 41

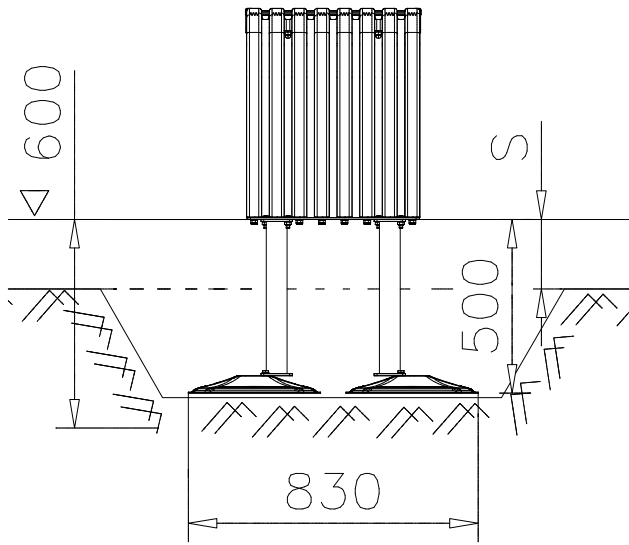


DET 42

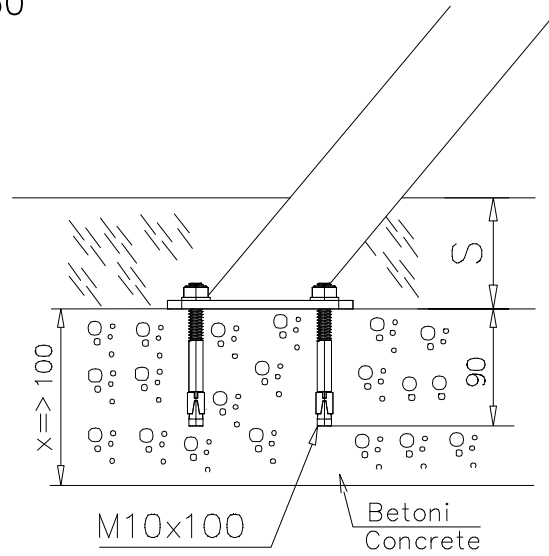




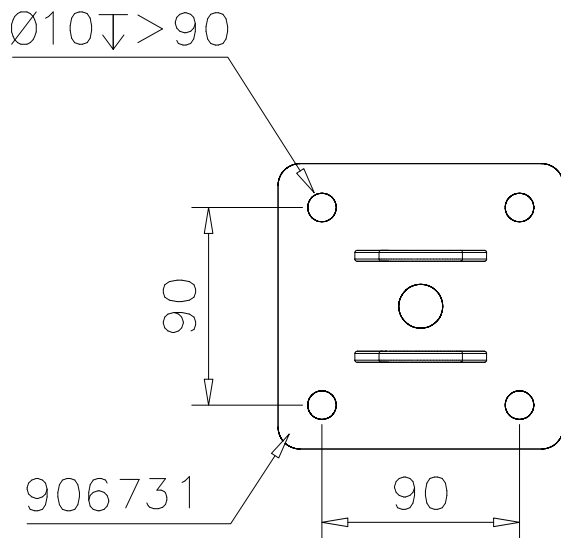
DET 49



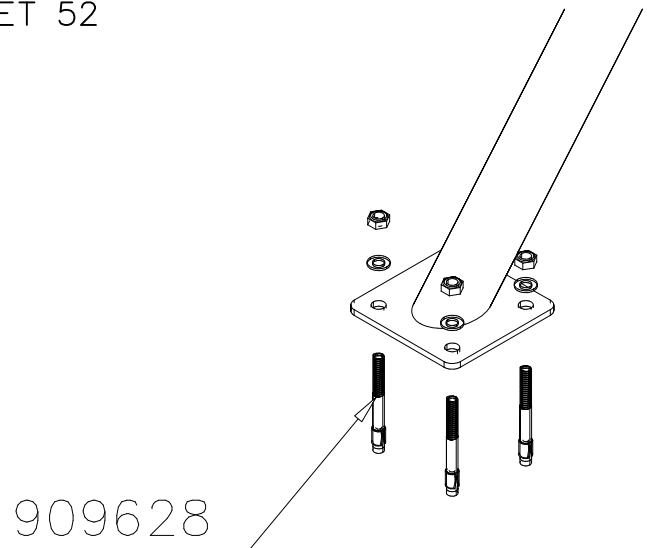
DET 50



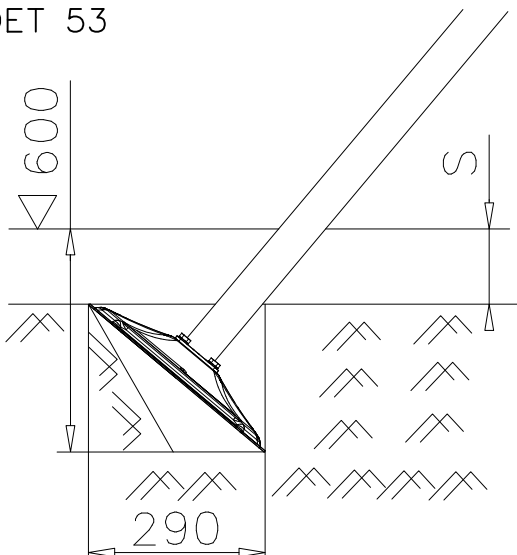
DET 51



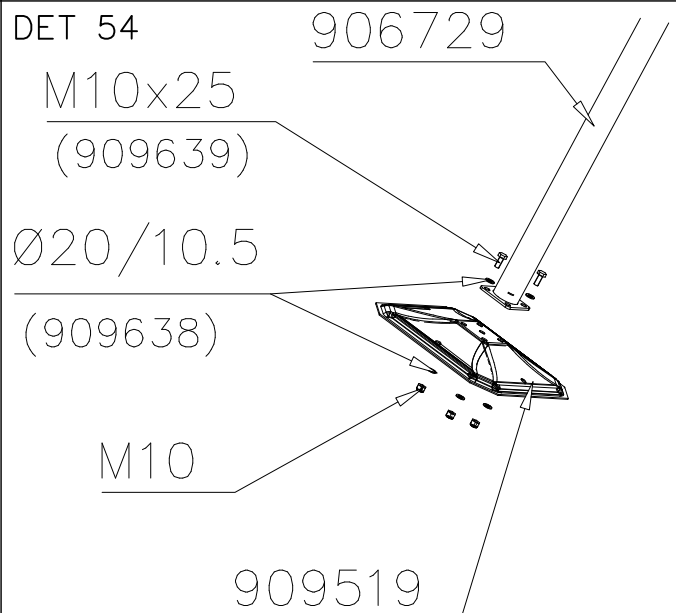
DET 52



DET 53

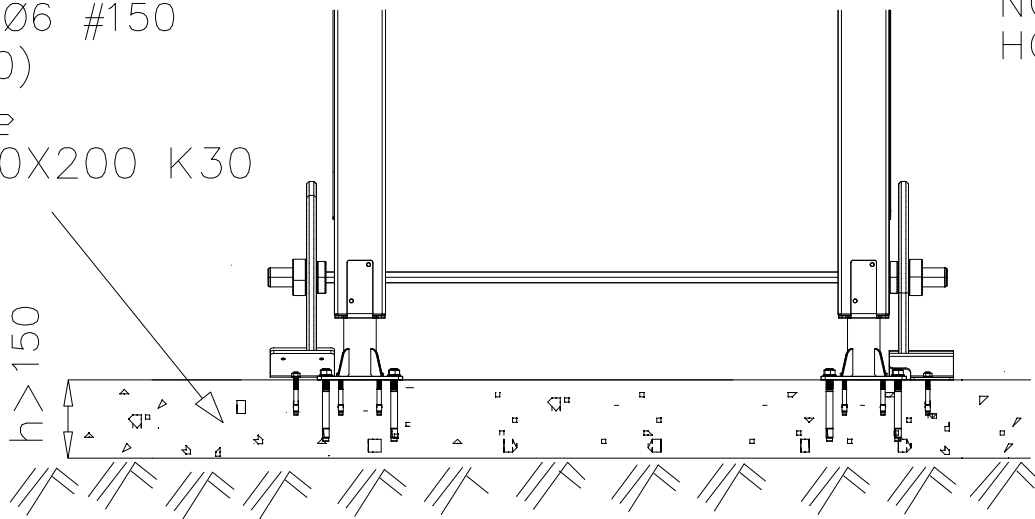


DET 54



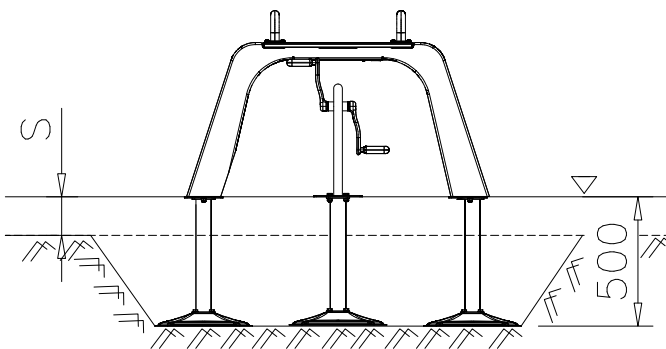
DET 55

STEELNET Ø6 #150  
(1400x2100)  
Concrete  
1500X2200X200 K30

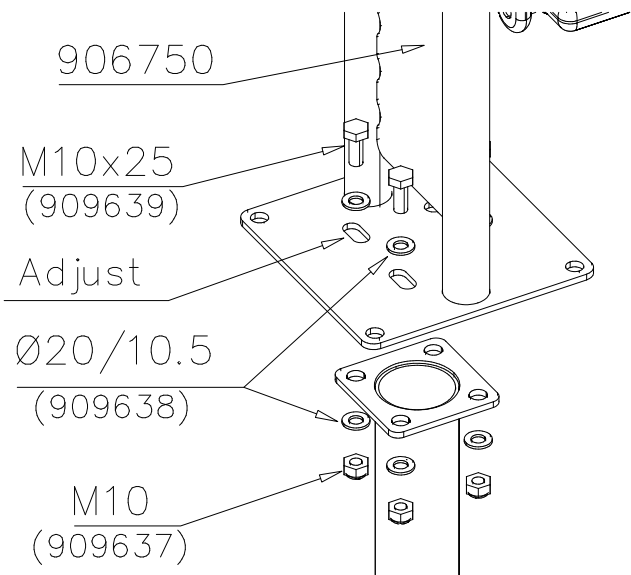


NOTE!  
HOX!

DET 56



DET 57

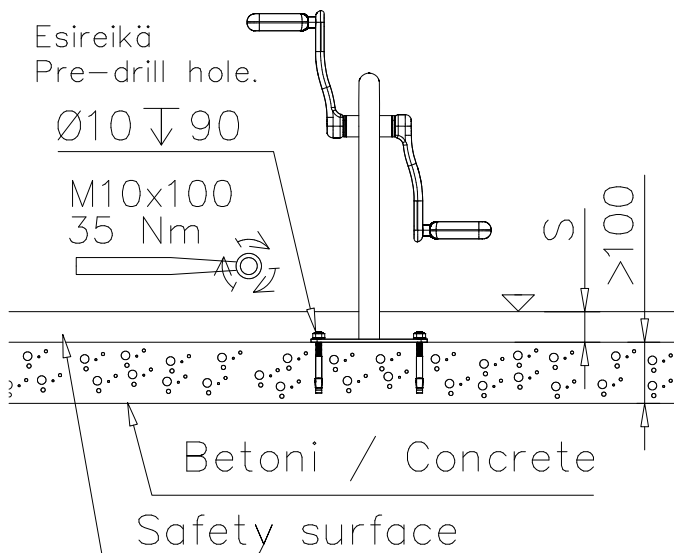


DET 58

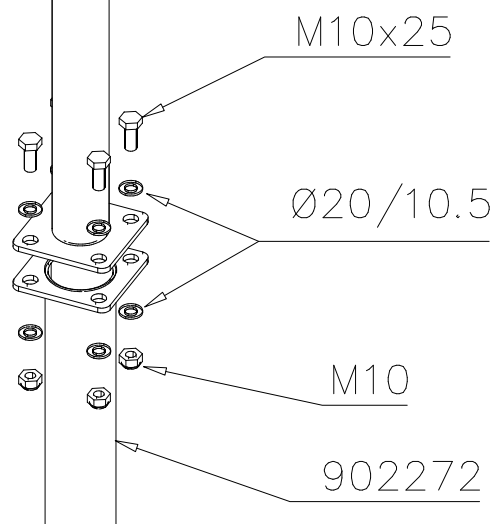
Esireikä  
Pre-drill hole.

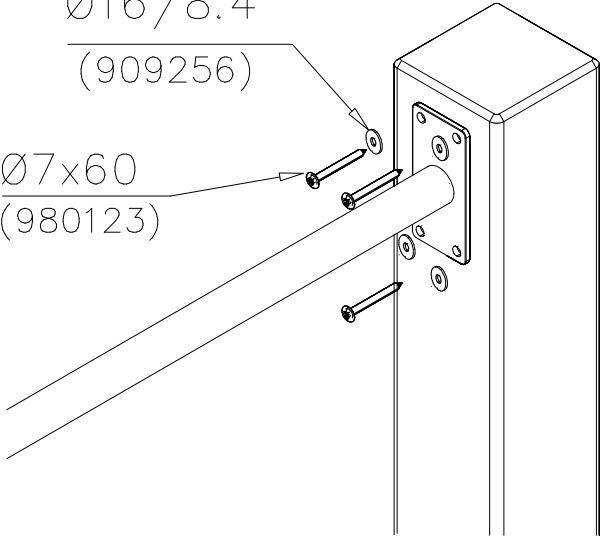
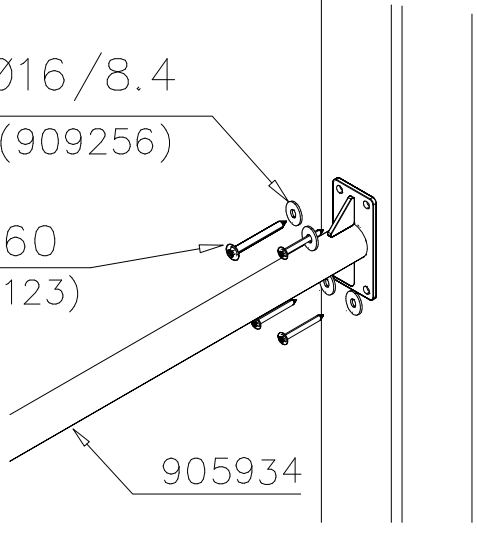
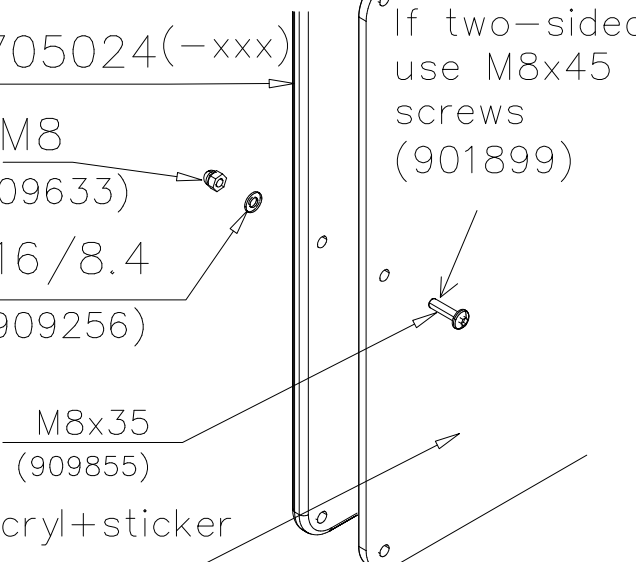
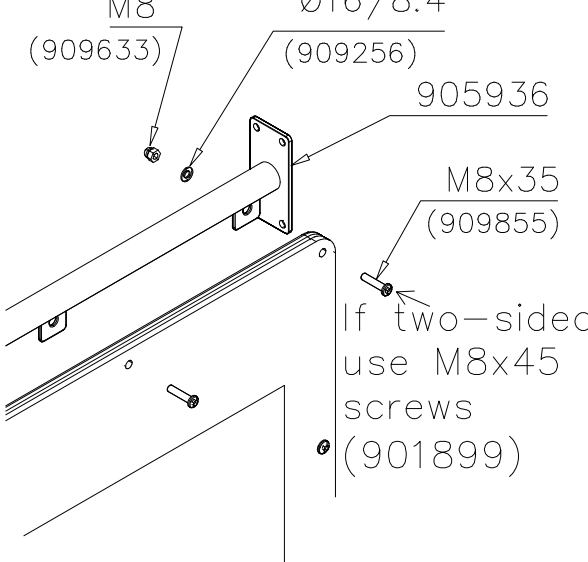
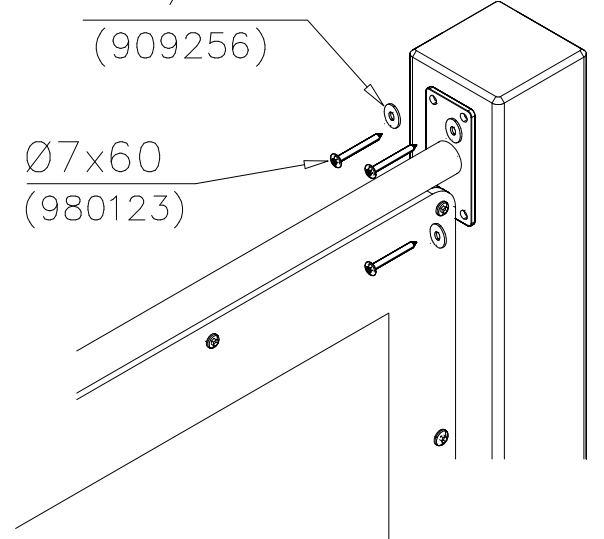
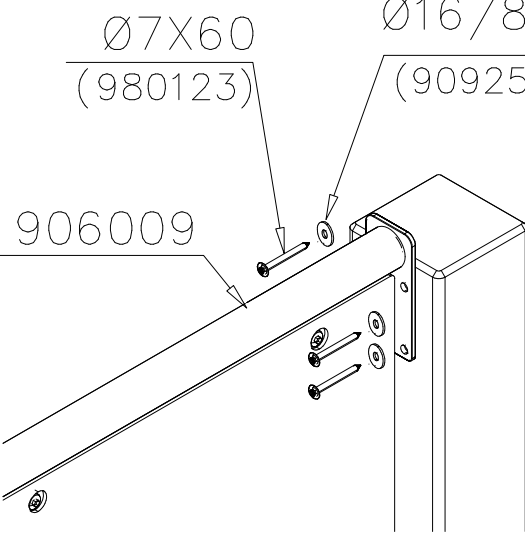
Ø10 ↓ 90

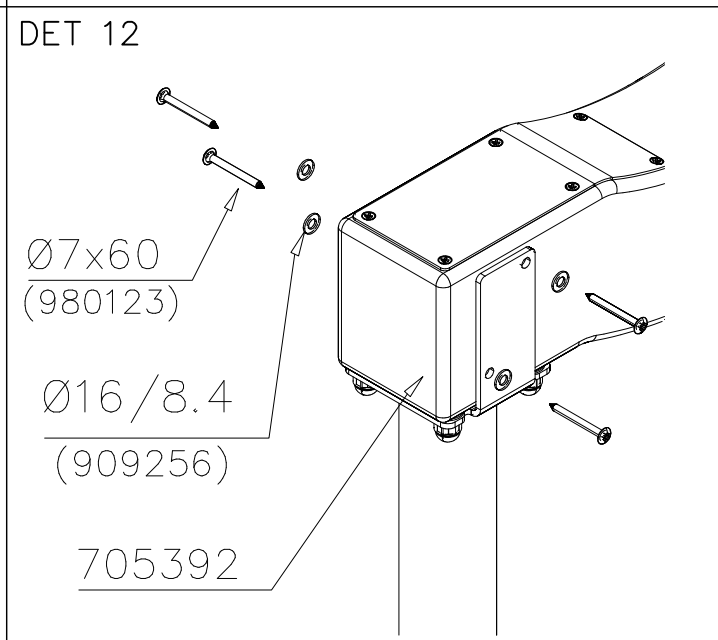
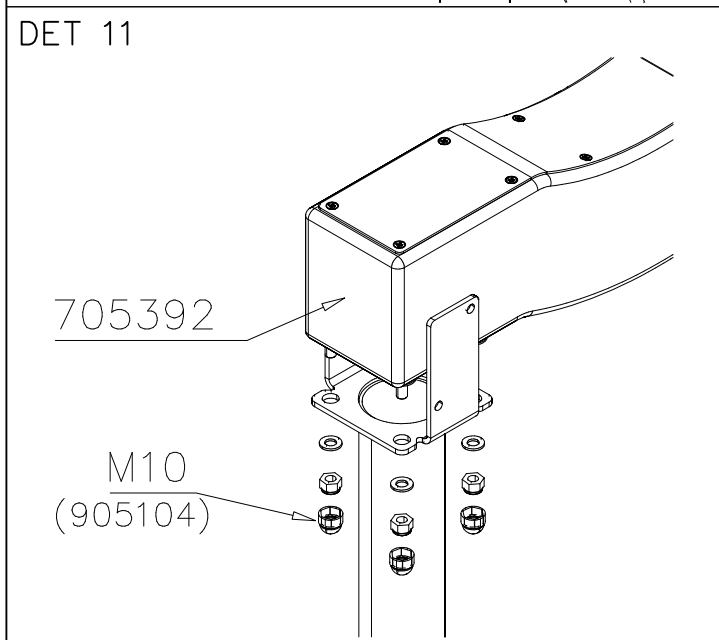
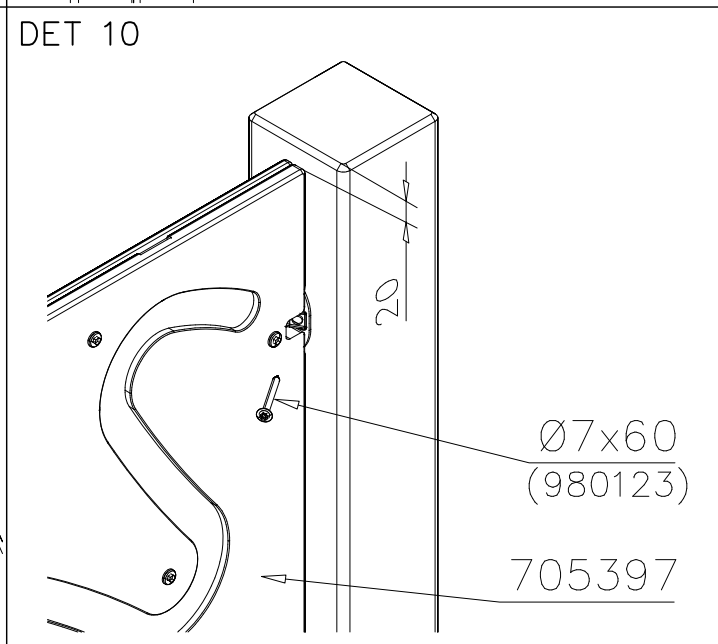
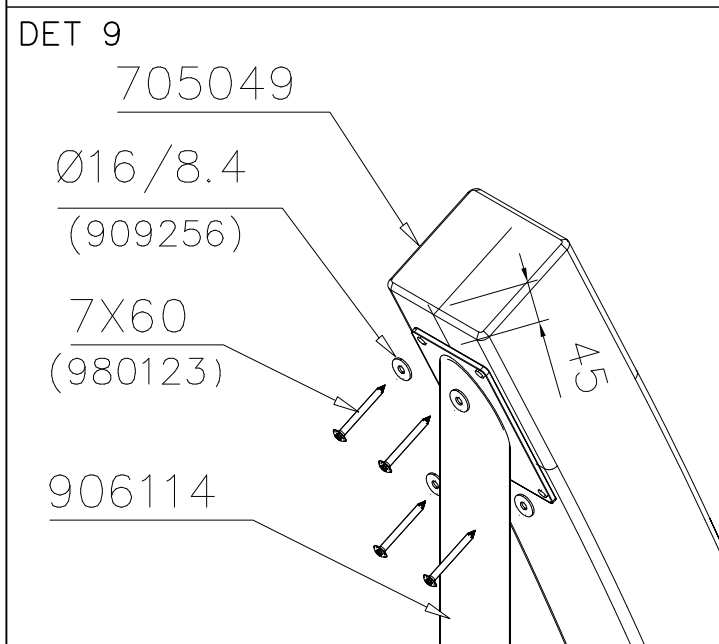
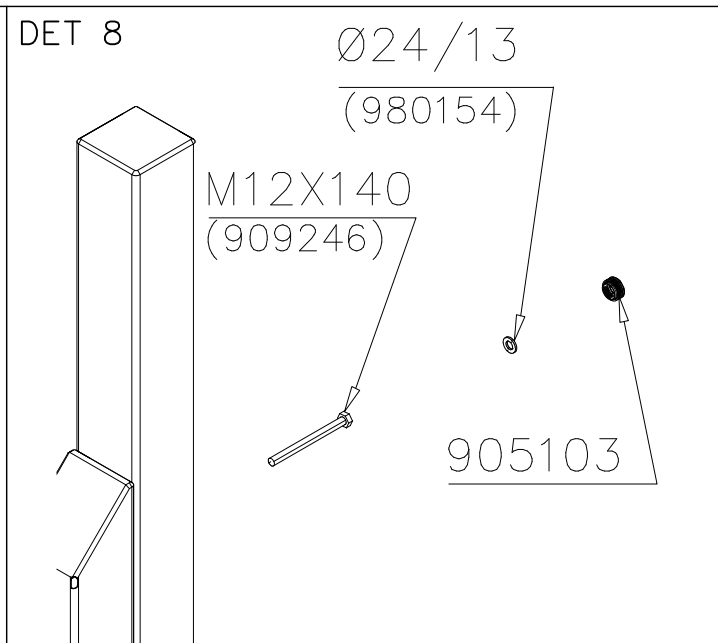
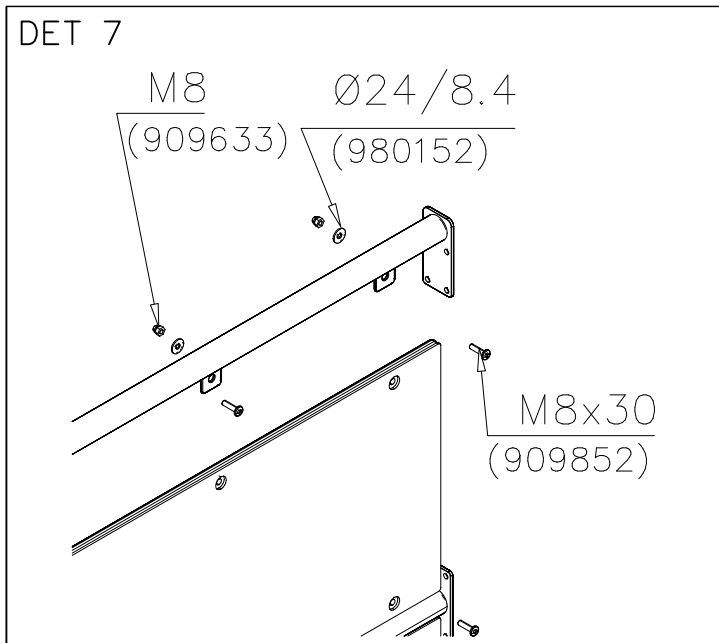
M10x100  
35 Nm



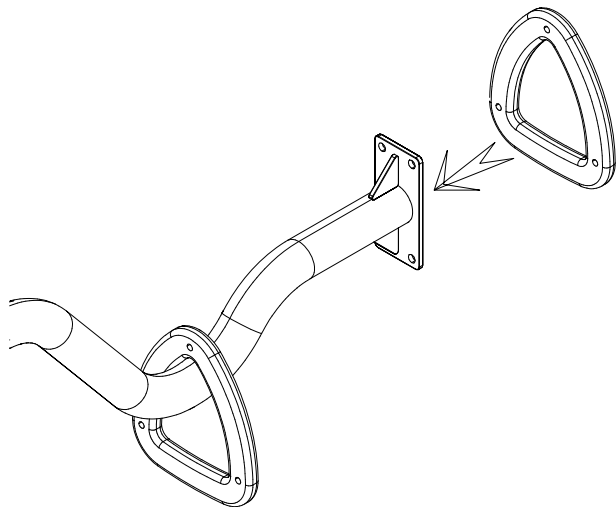
DET 59



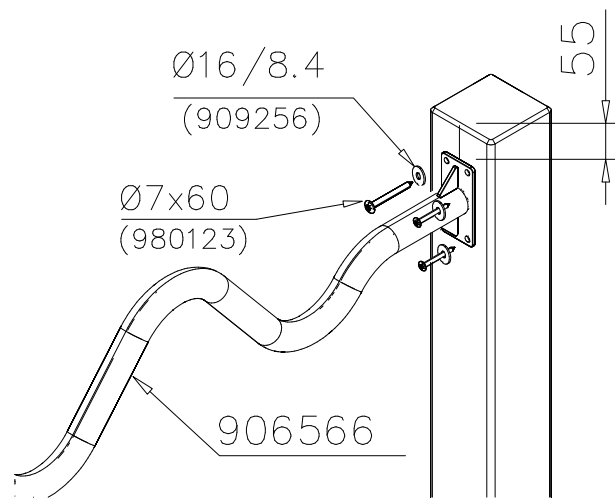
<p>DET 1</p> <p>Ø16 / 8.4 (909256)</p> <p>Ø7x60 (980123)</p> 	<p>DET 2</p> <p>Ø16 / 8.4 (909256)</p> <p>Ø7x60 (980123)</p> <p>905934</p> 
<p>DET 3</p> <p>705024(-xxx)</p> <p>M8 (909633)</p> <p>Ø16 / 8.4 (909256)</p> <p>M8x35 (909855)</p> <p>Acryl+sticker</p> <p>If two-sided use M8x45 screws (901899)</p> 	<p>DET 4</p> <p>M8 (909633)</p> <p>Ø16 / 8.4 (909256)</p> <p>905936</p> <p>M8x35 (909855)</p> <p>If two-sided use M8x45 screws (901899)</p> 
<p>DET 5</p> <p>Ø16 / 8.4 (909256)</p> <p>Ø7x60 (980123)</p> 	<p>DET 6</p> <p>Ø7x60 (980123)</p> <p>Ø16 / 8.4 (909256)</p> <p>906009</p> 



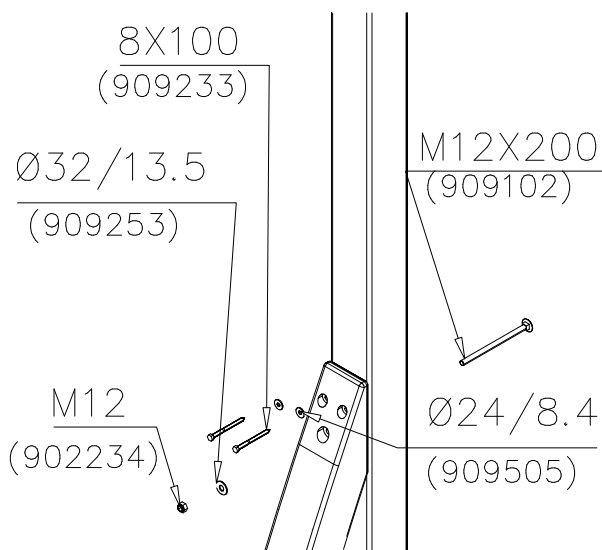
DET 13



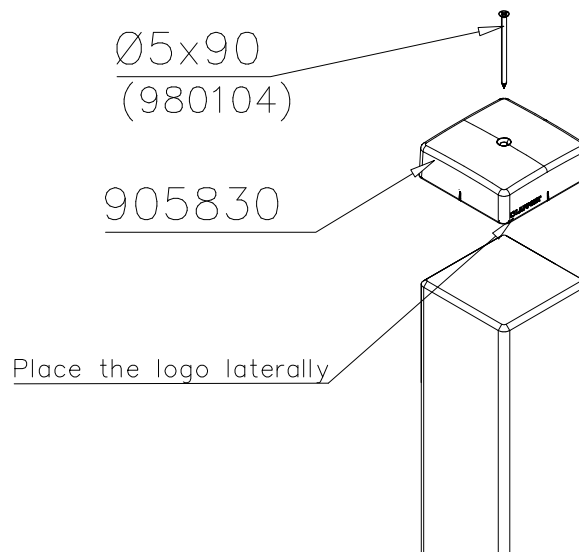
DET 14



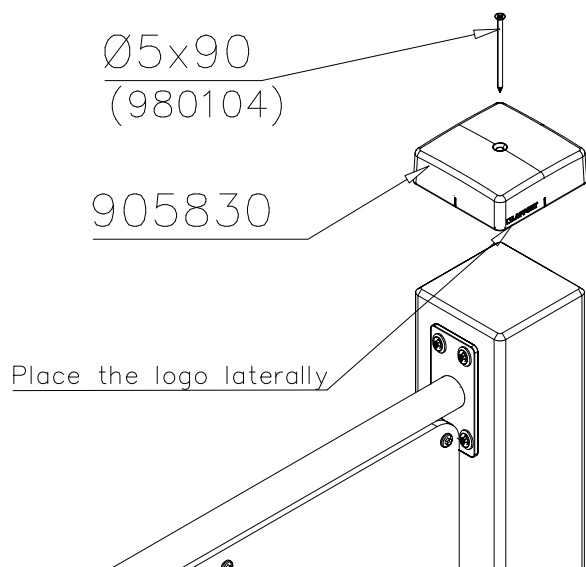
DET 15



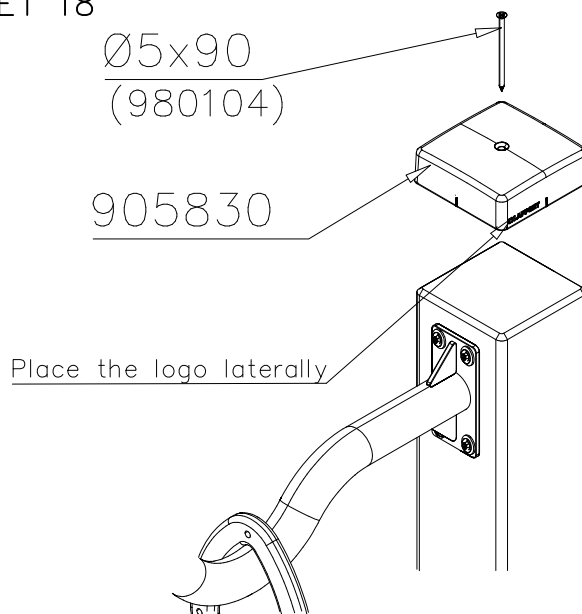
DET 16

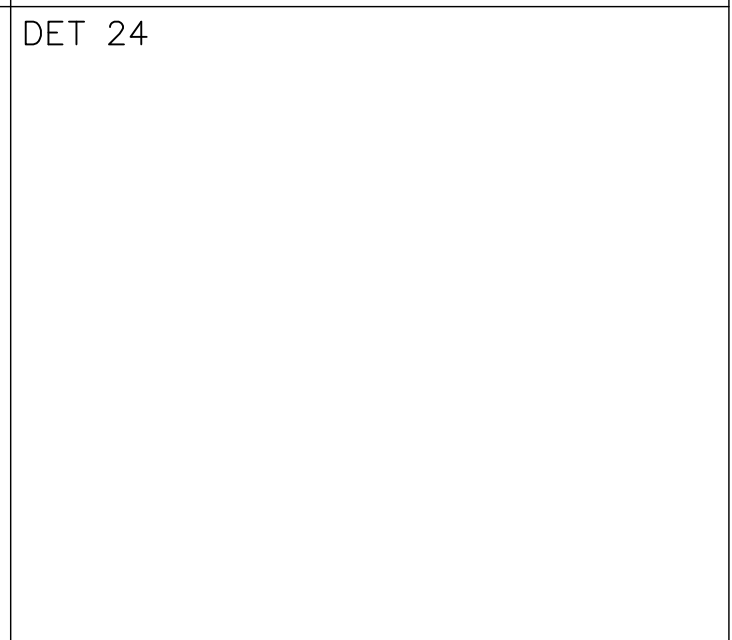
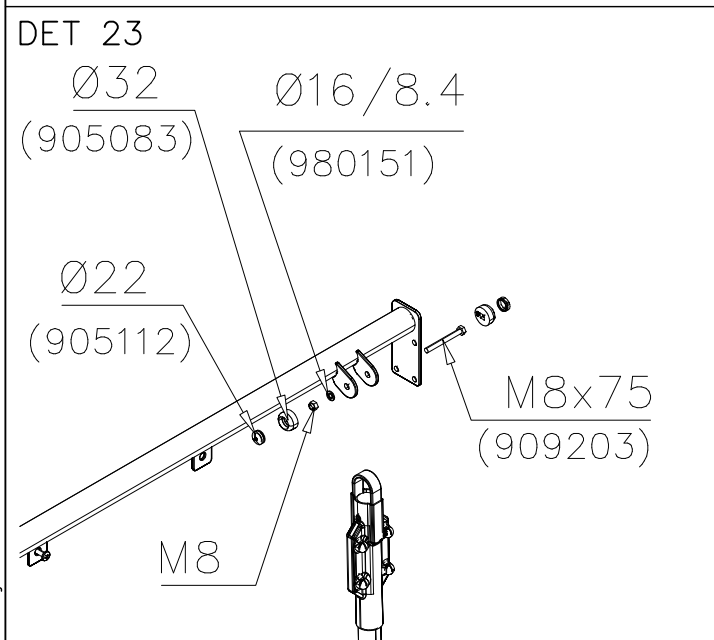
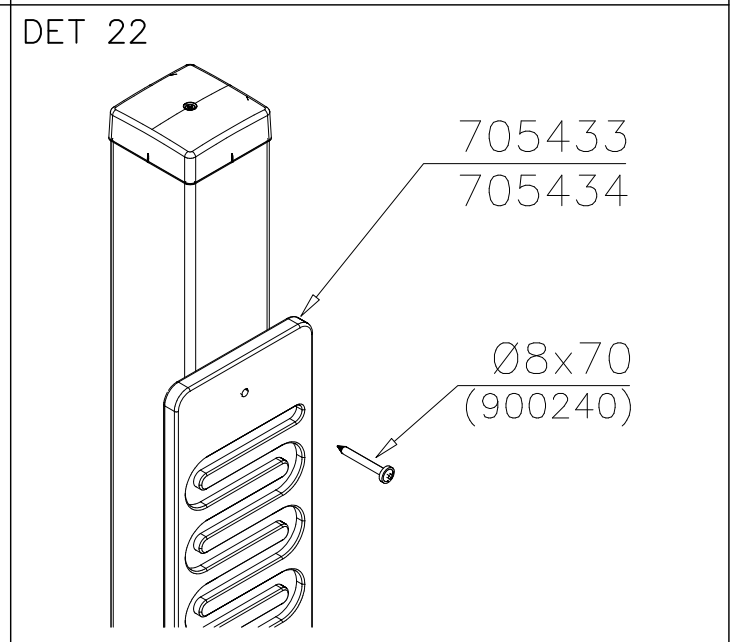
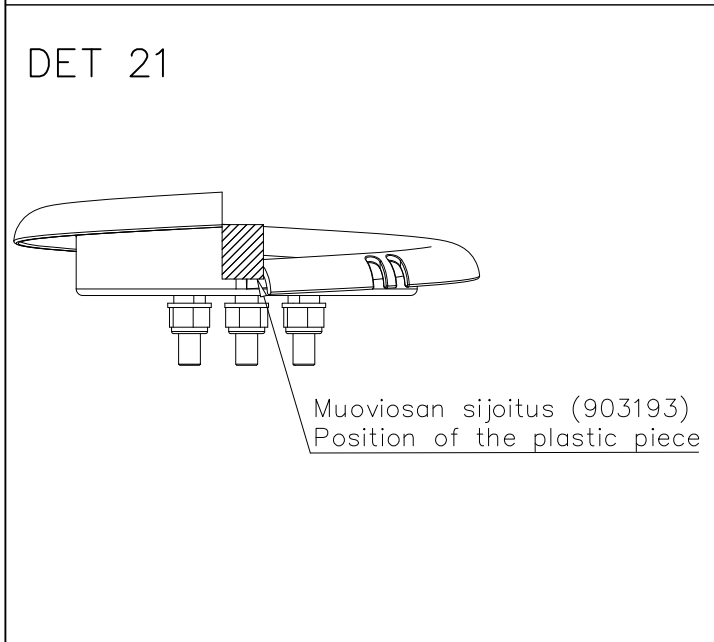
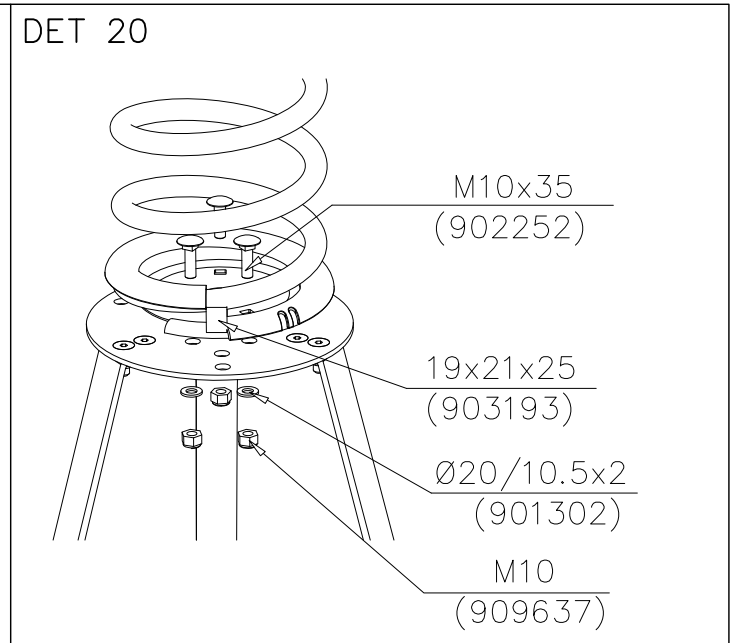
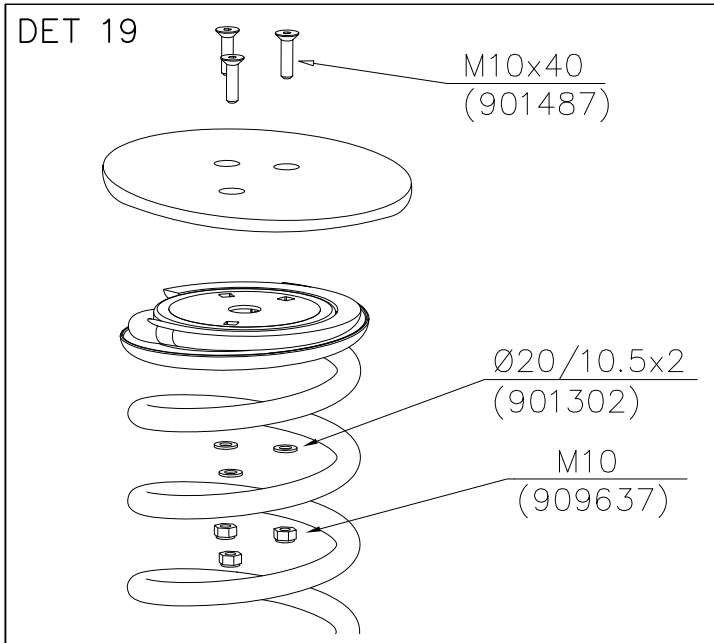


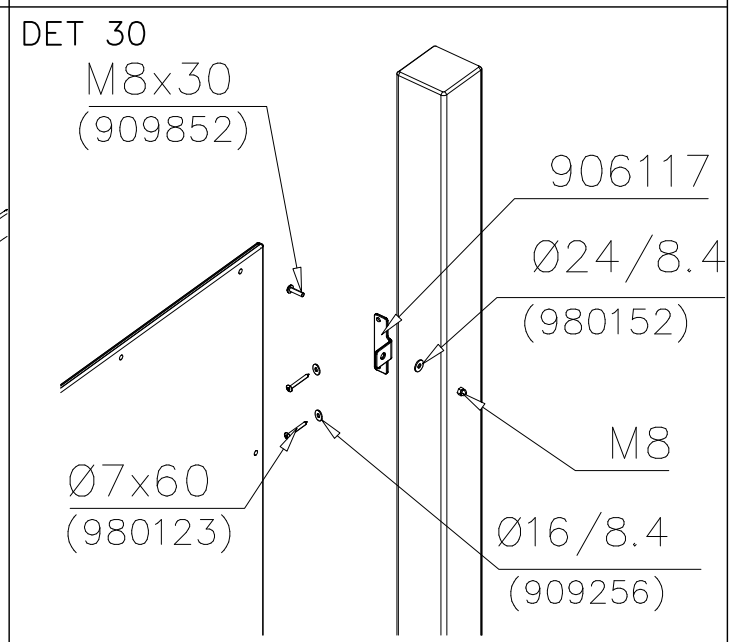
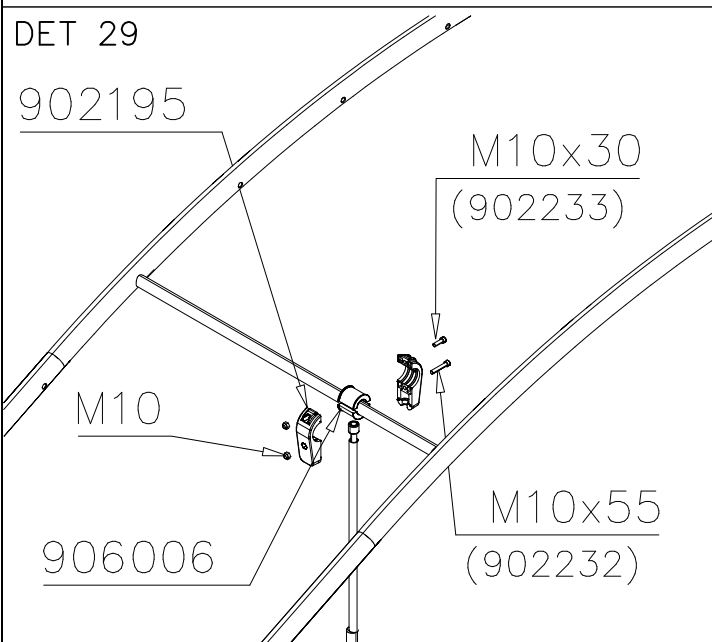
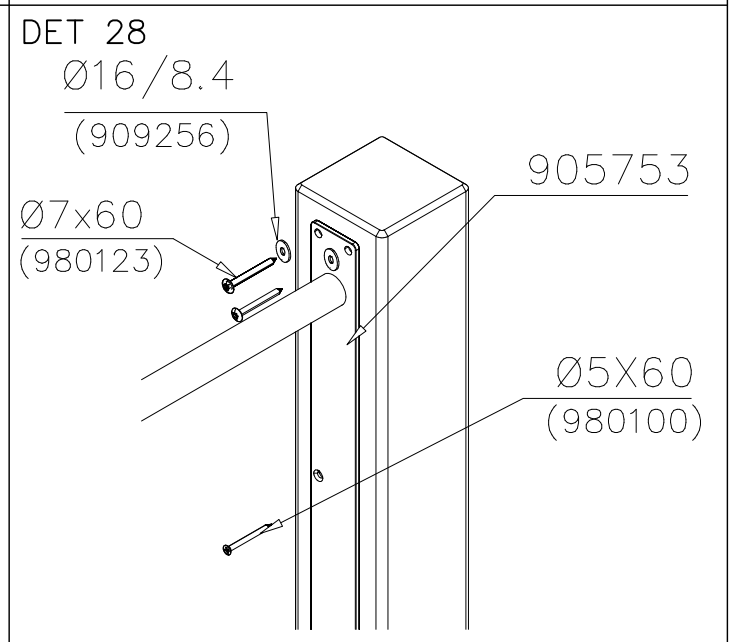
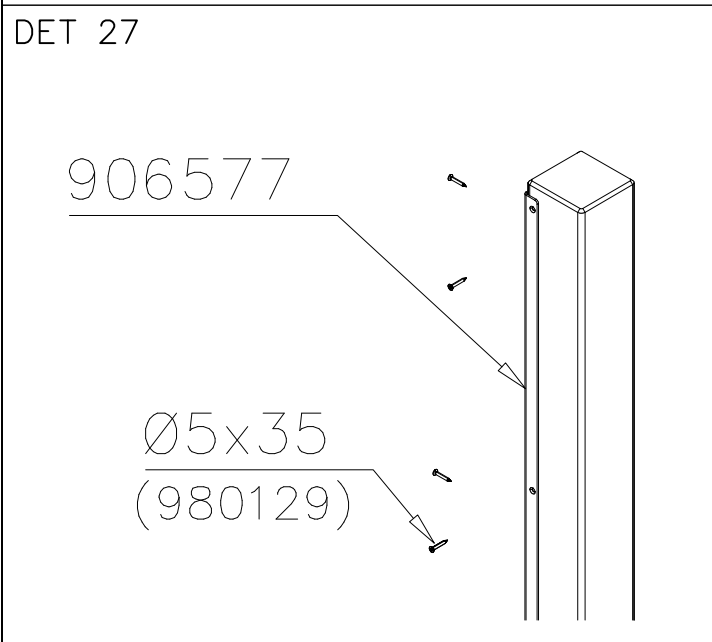
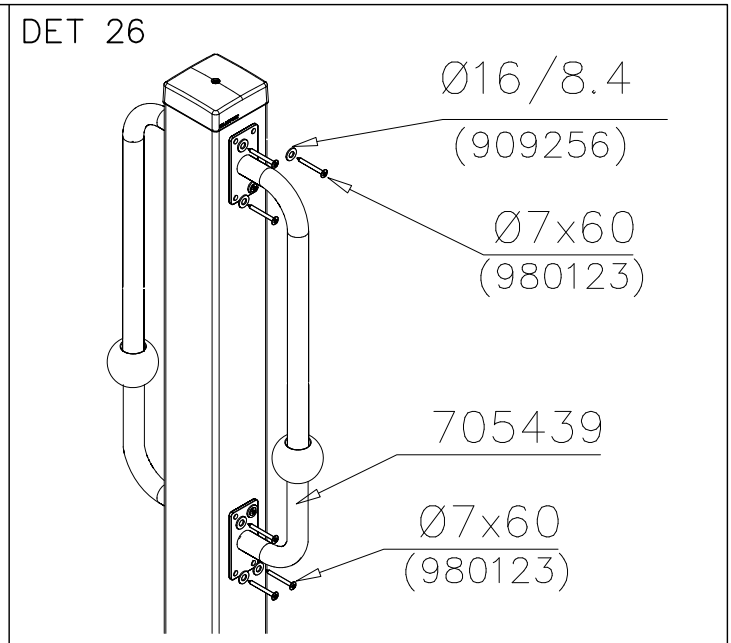
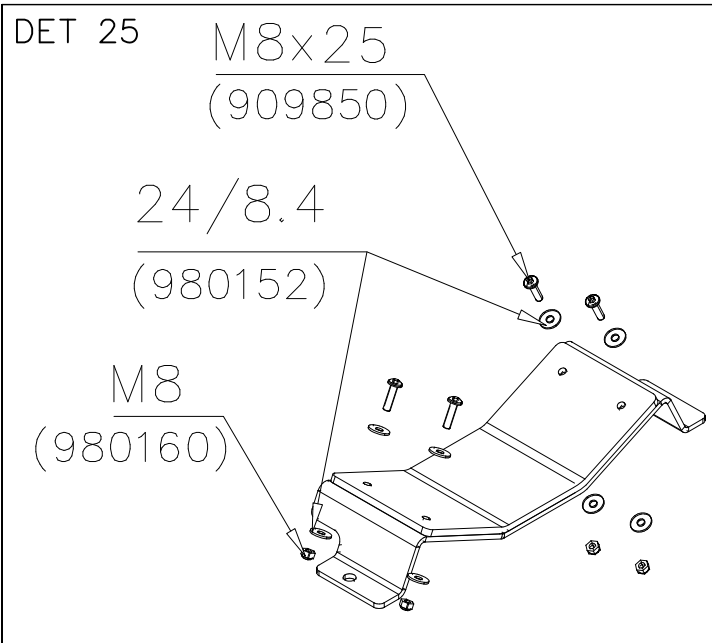
DET 17



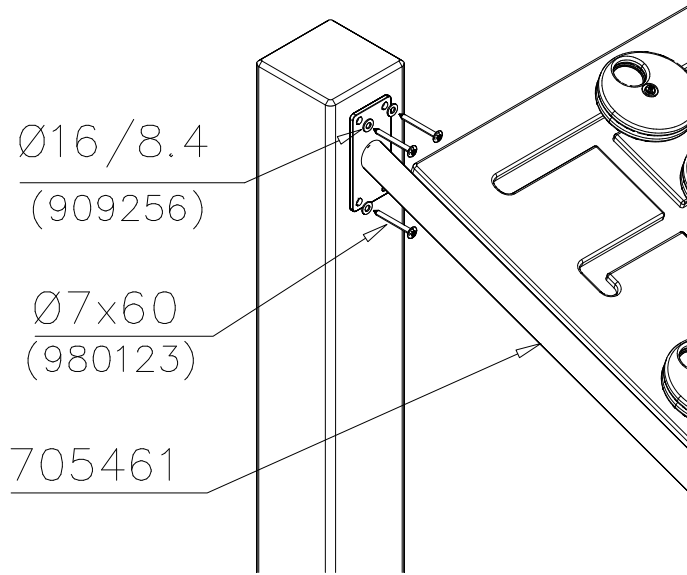
DET 18



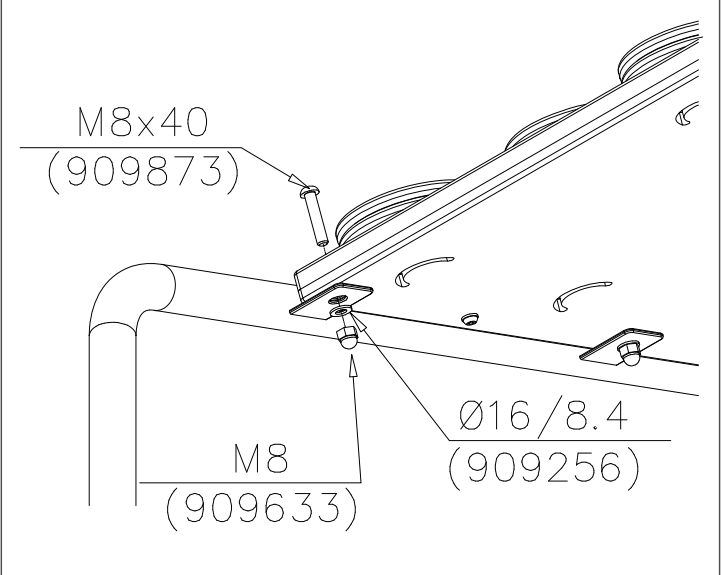




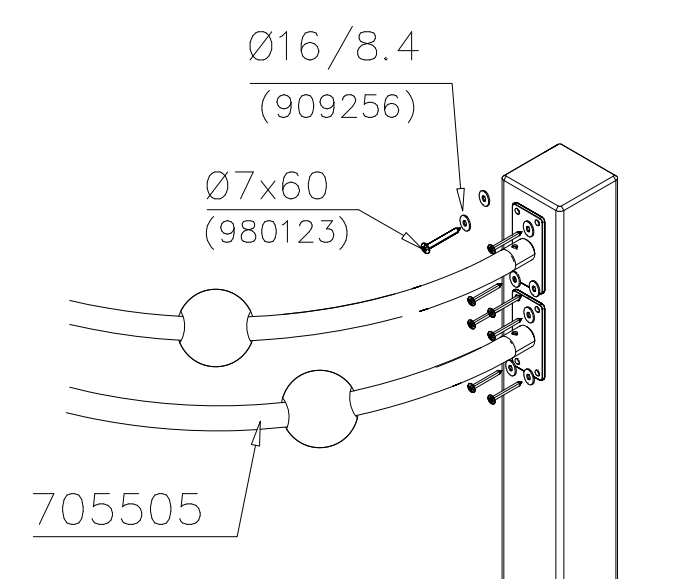
DET 31



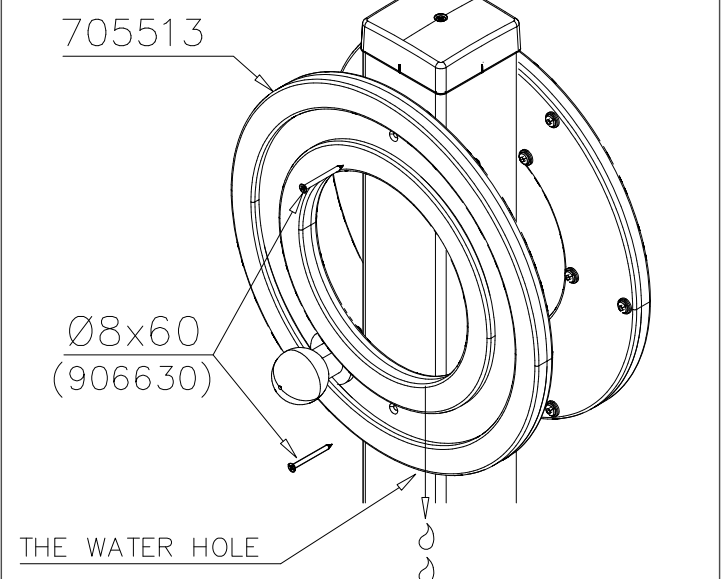
DET 32



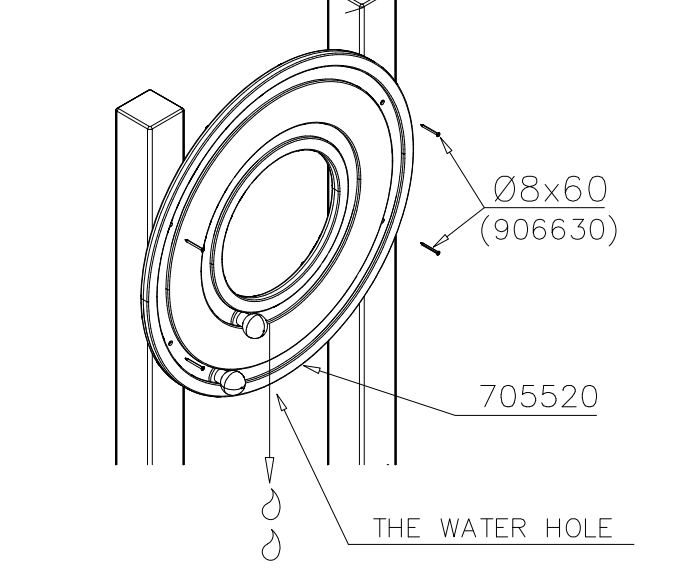
DET 33



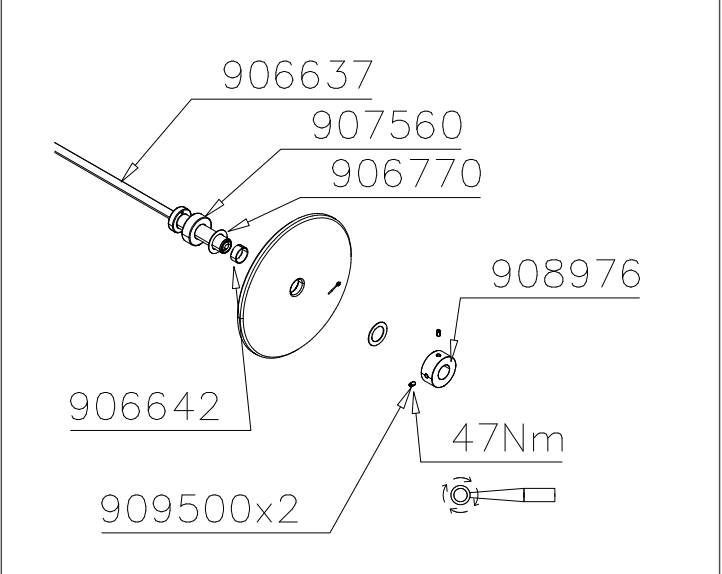
DET 34



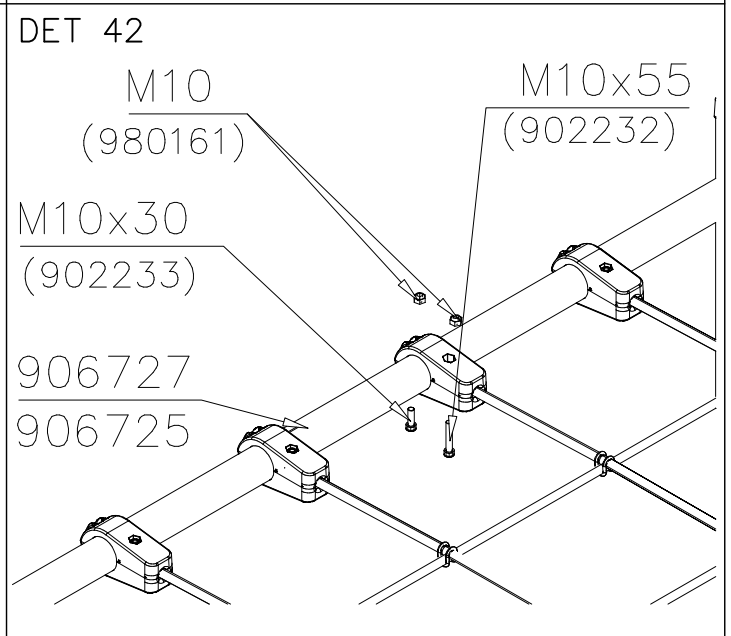
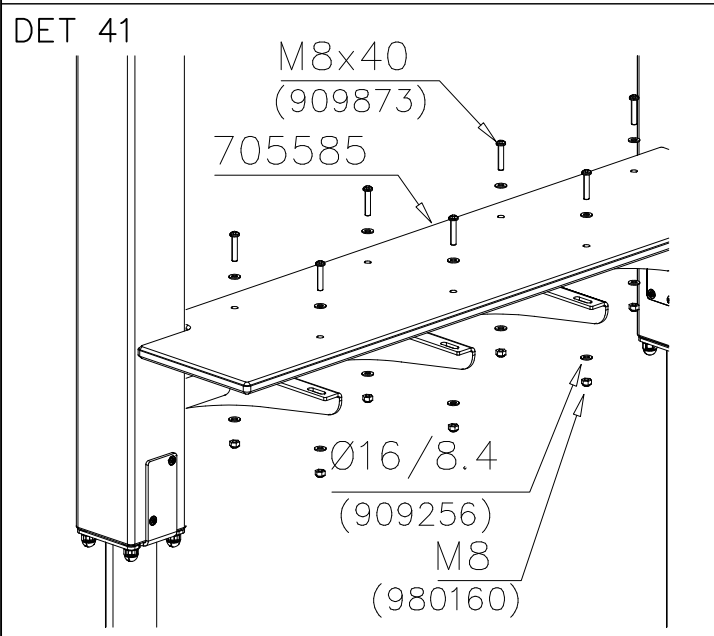
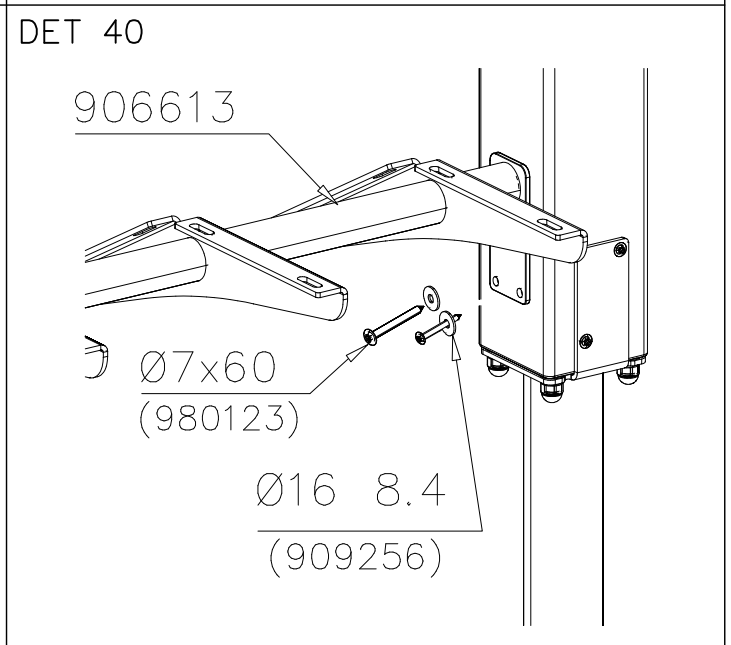
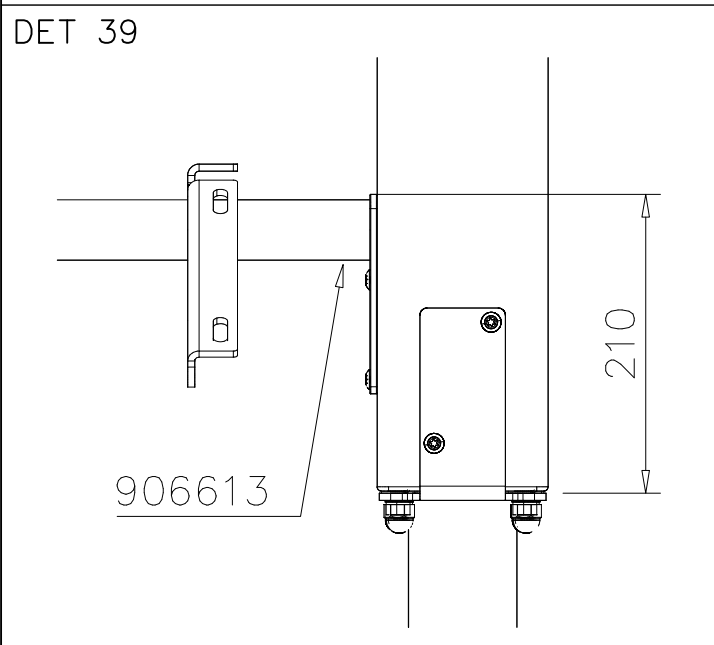
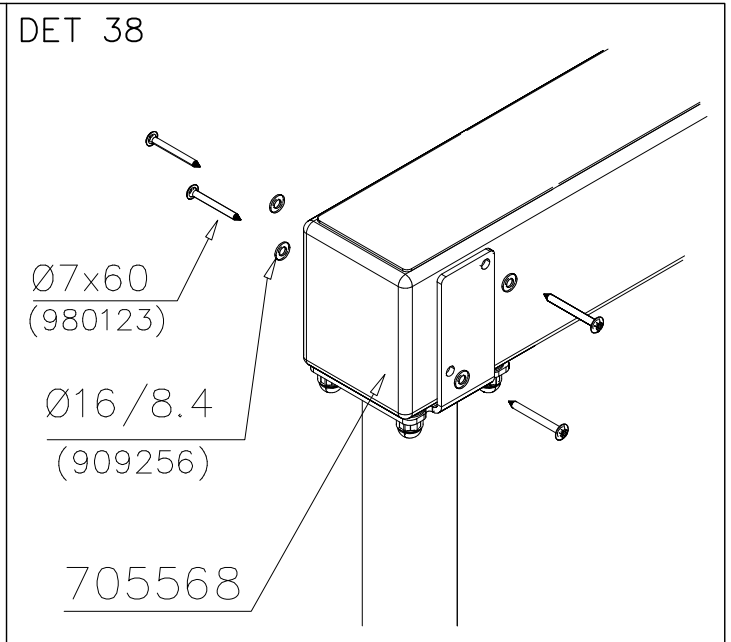
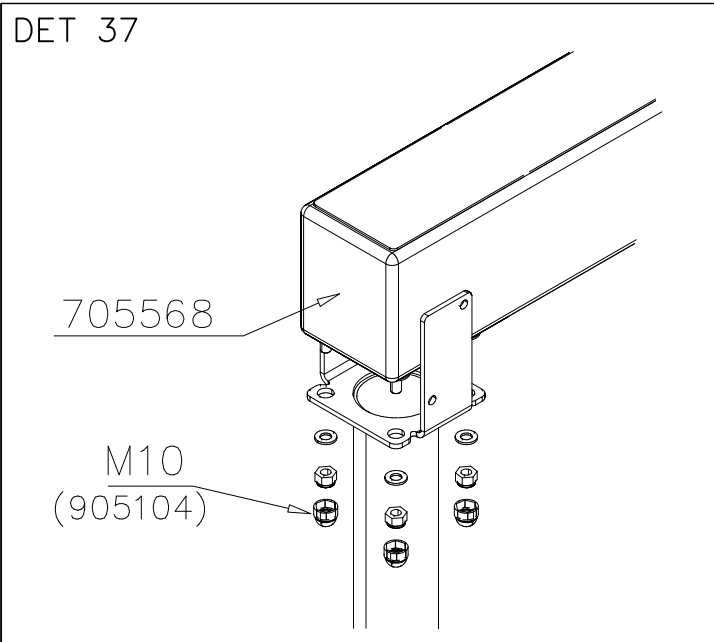
DET 35

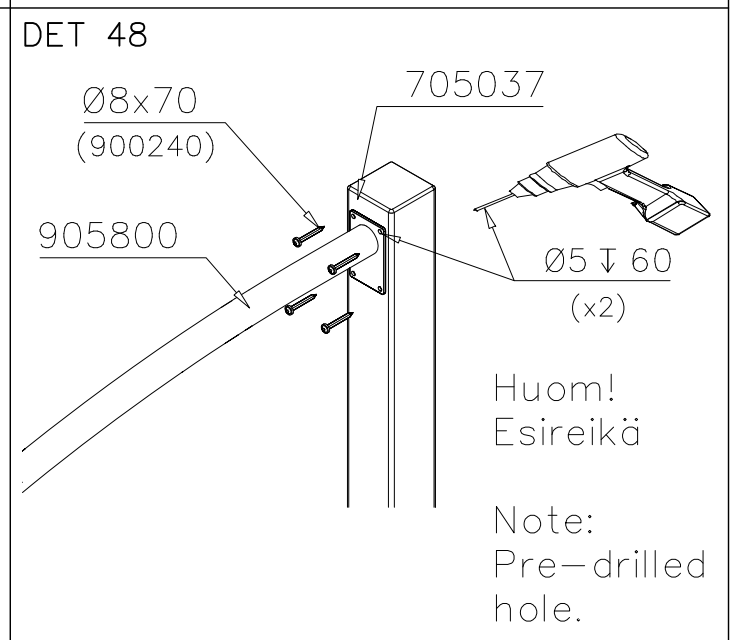
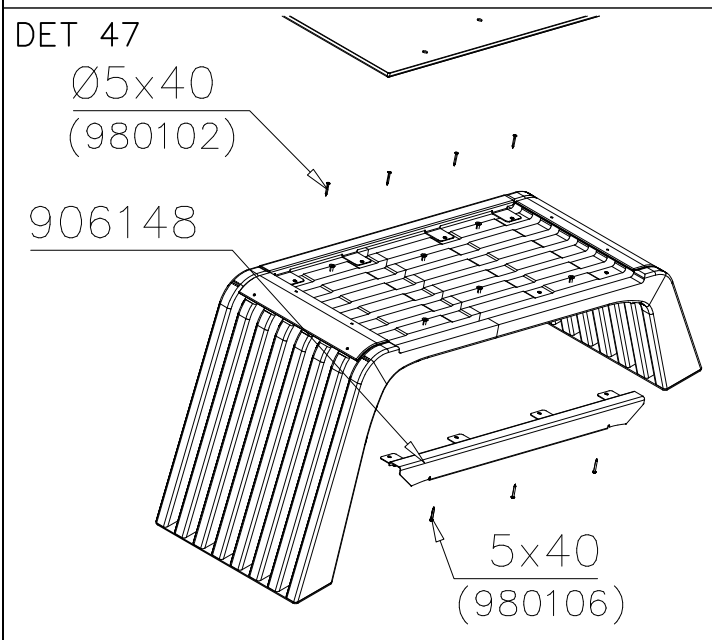
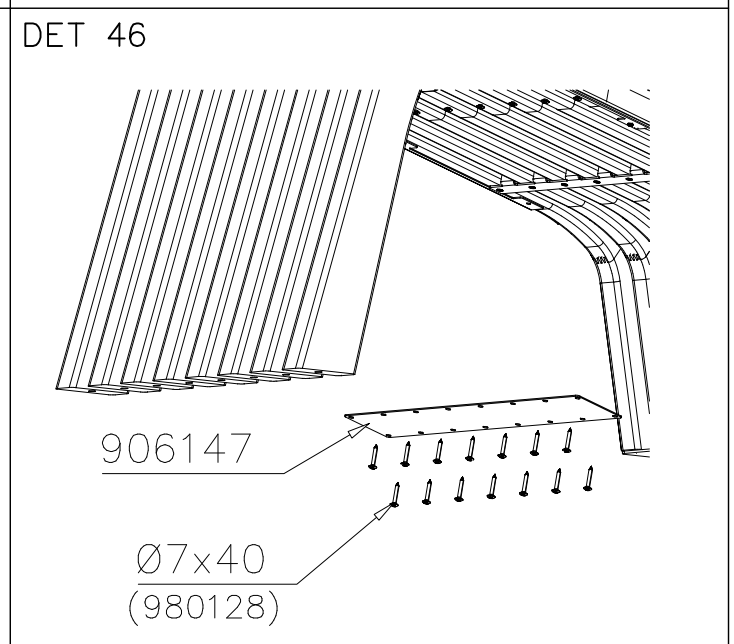
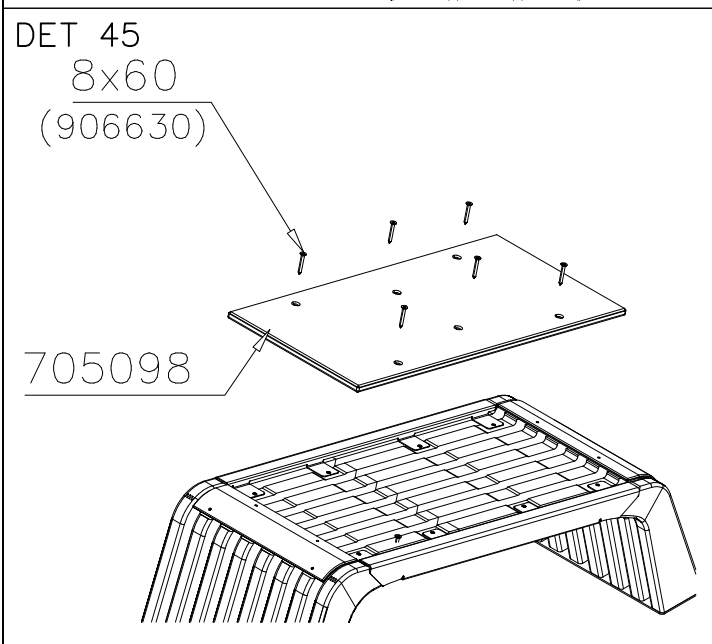
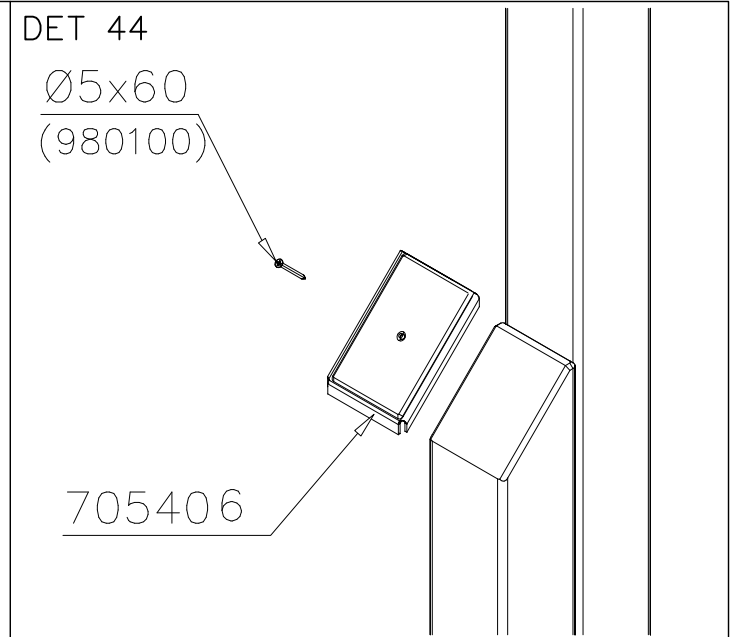
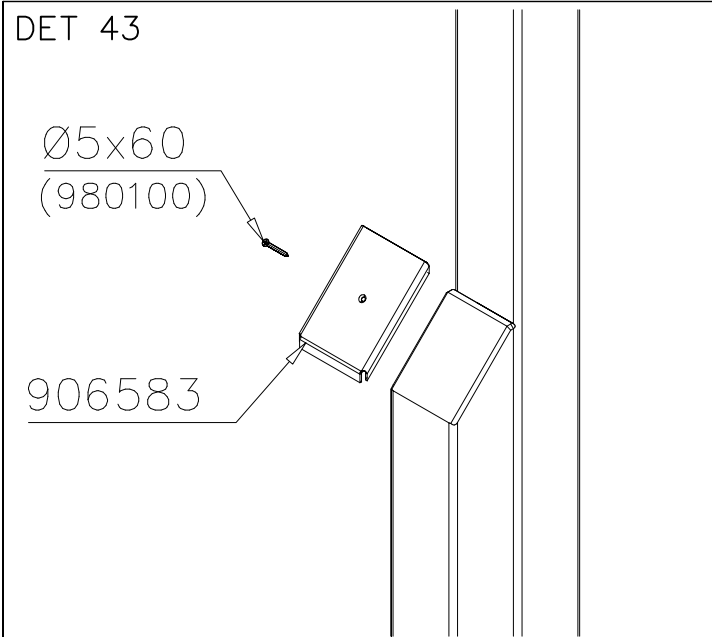


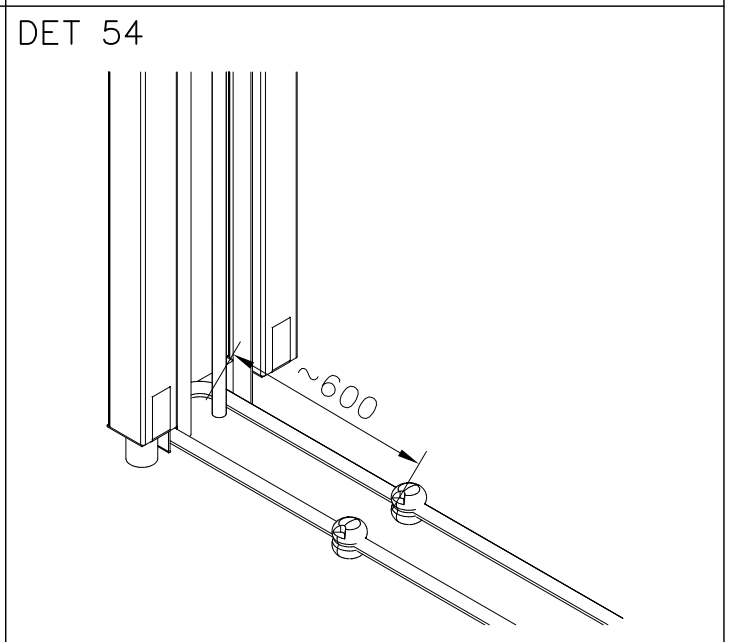
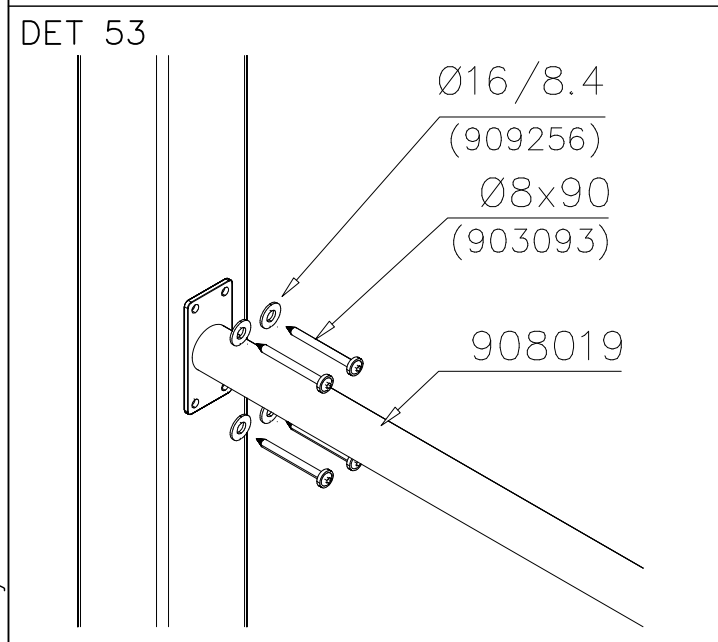
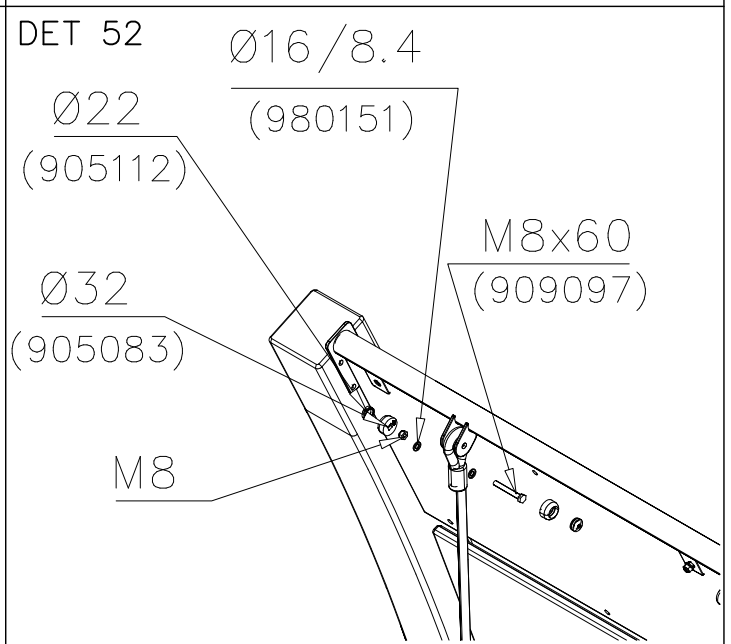
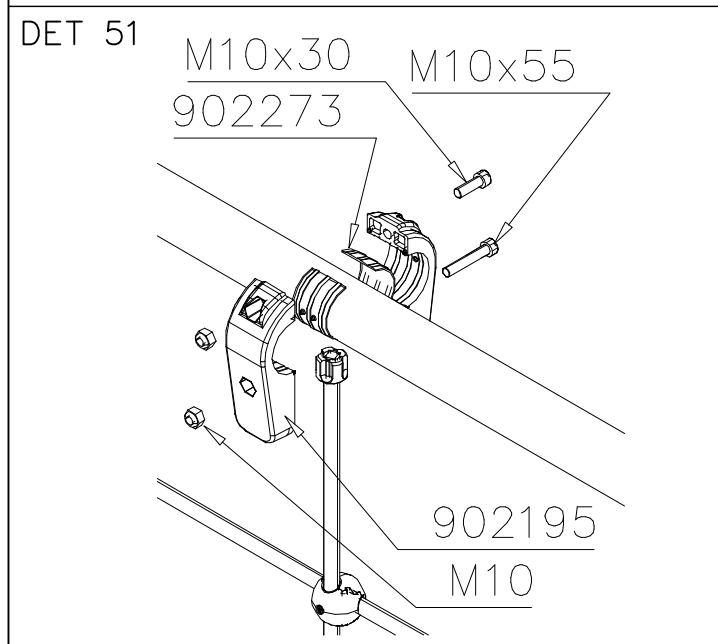
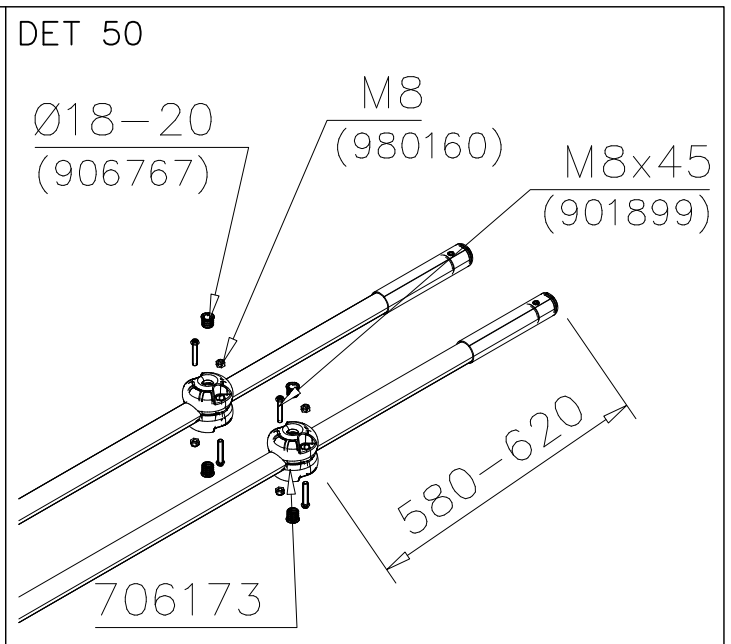
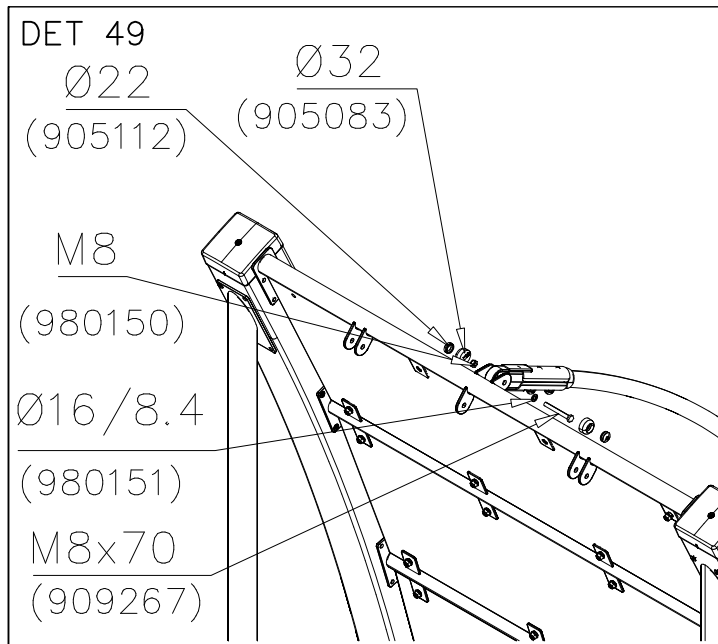
DET 36



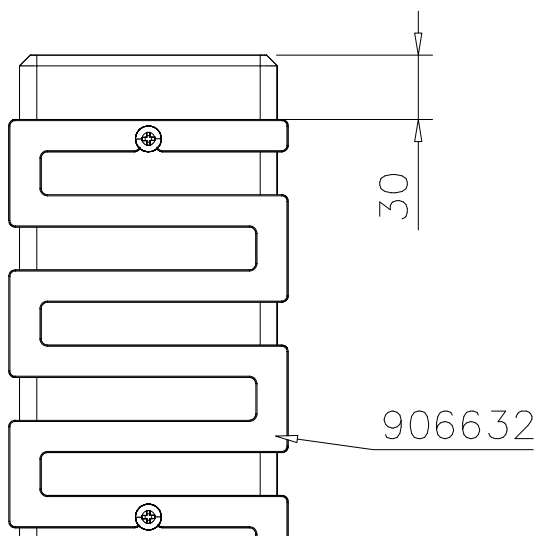




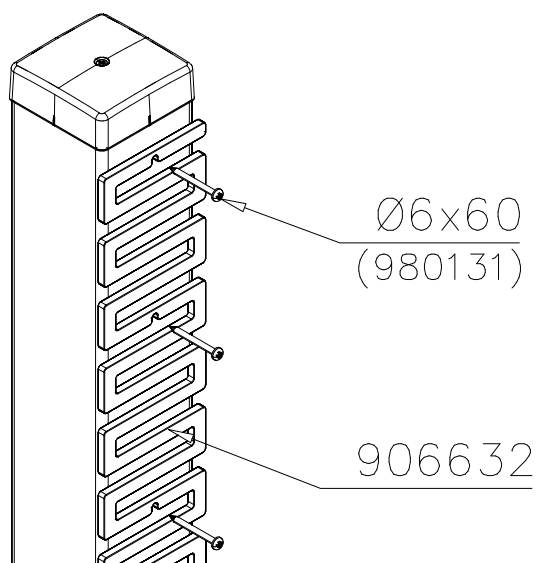




DET 55



DET 56





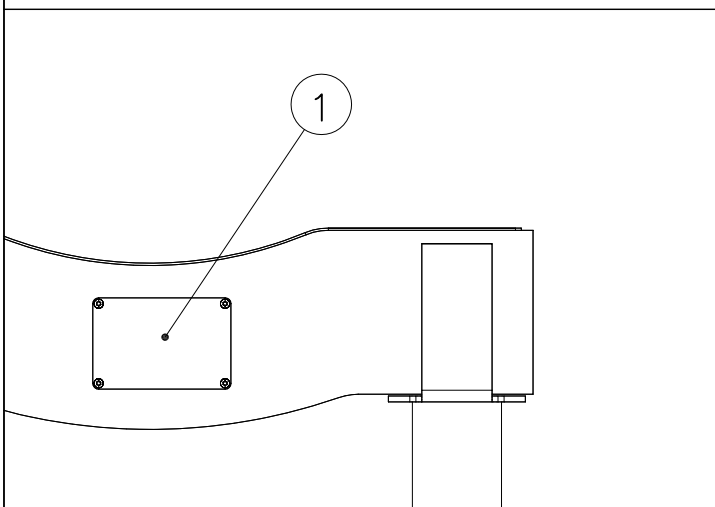
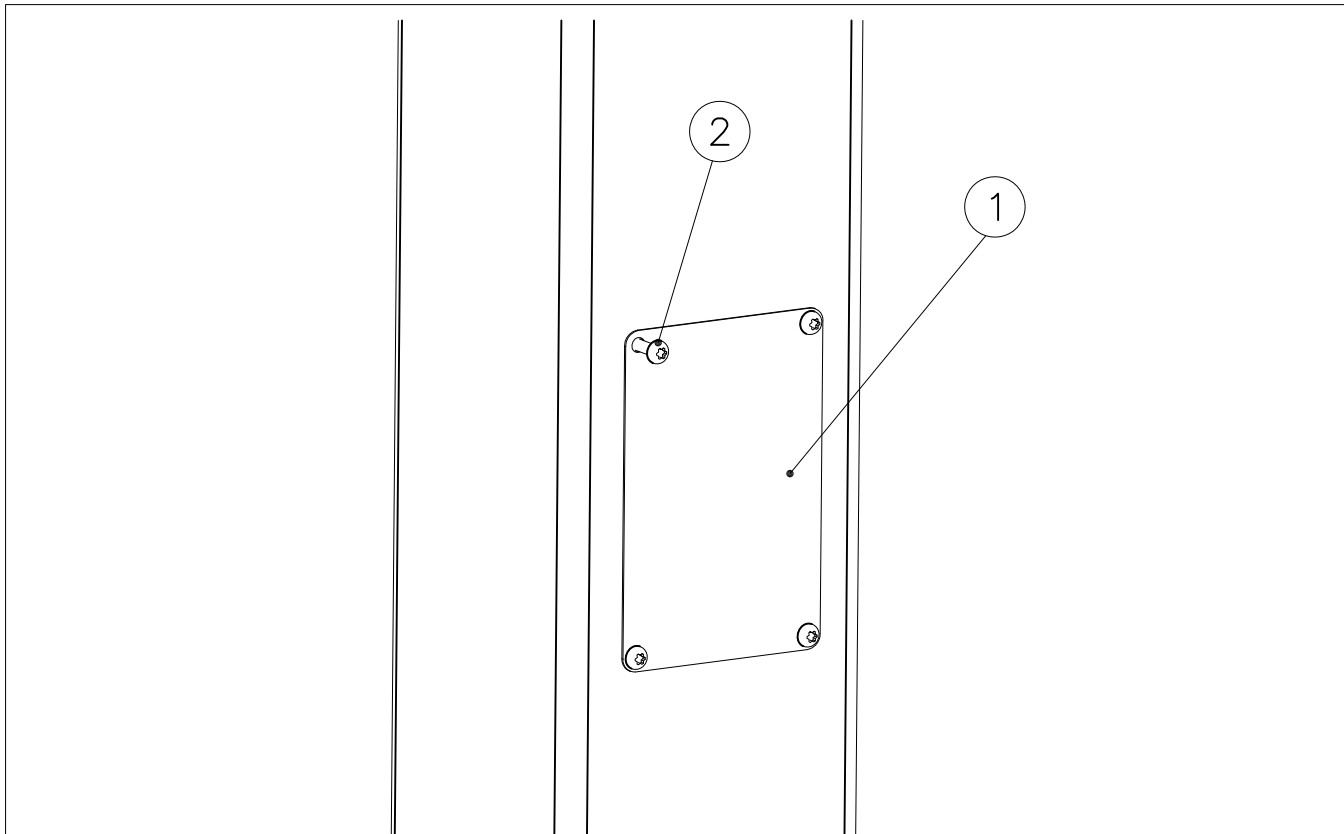
DET 57

DET 58

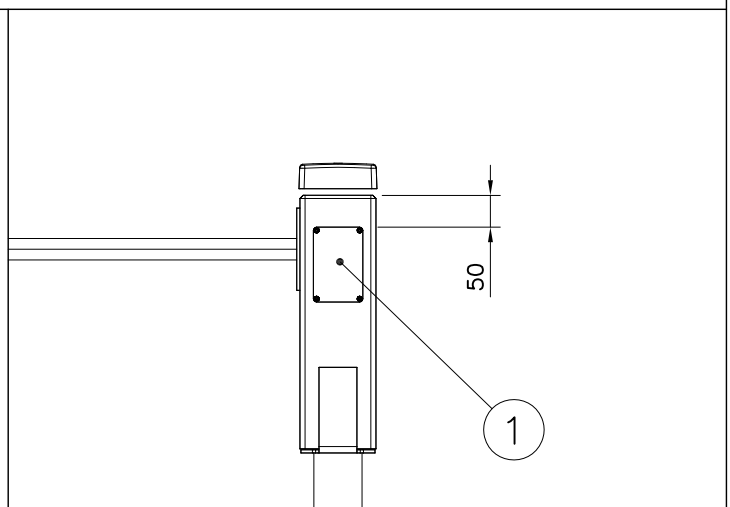
DET 59

DET 60

① SHEET METAL	PCS	② 980114	PCS
	1		4
118x78x0.7		Ø4x20	



Example installation !  
Esimerkki asennus !



Example installation !  
Esimerkki asennus !

