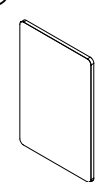

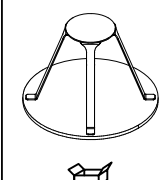

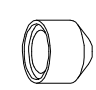
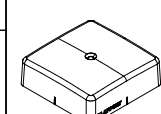
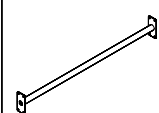

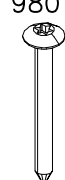


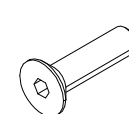

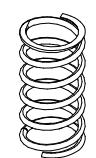
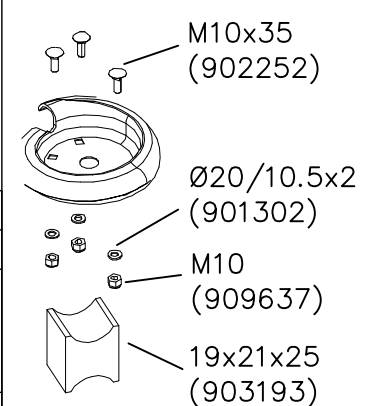
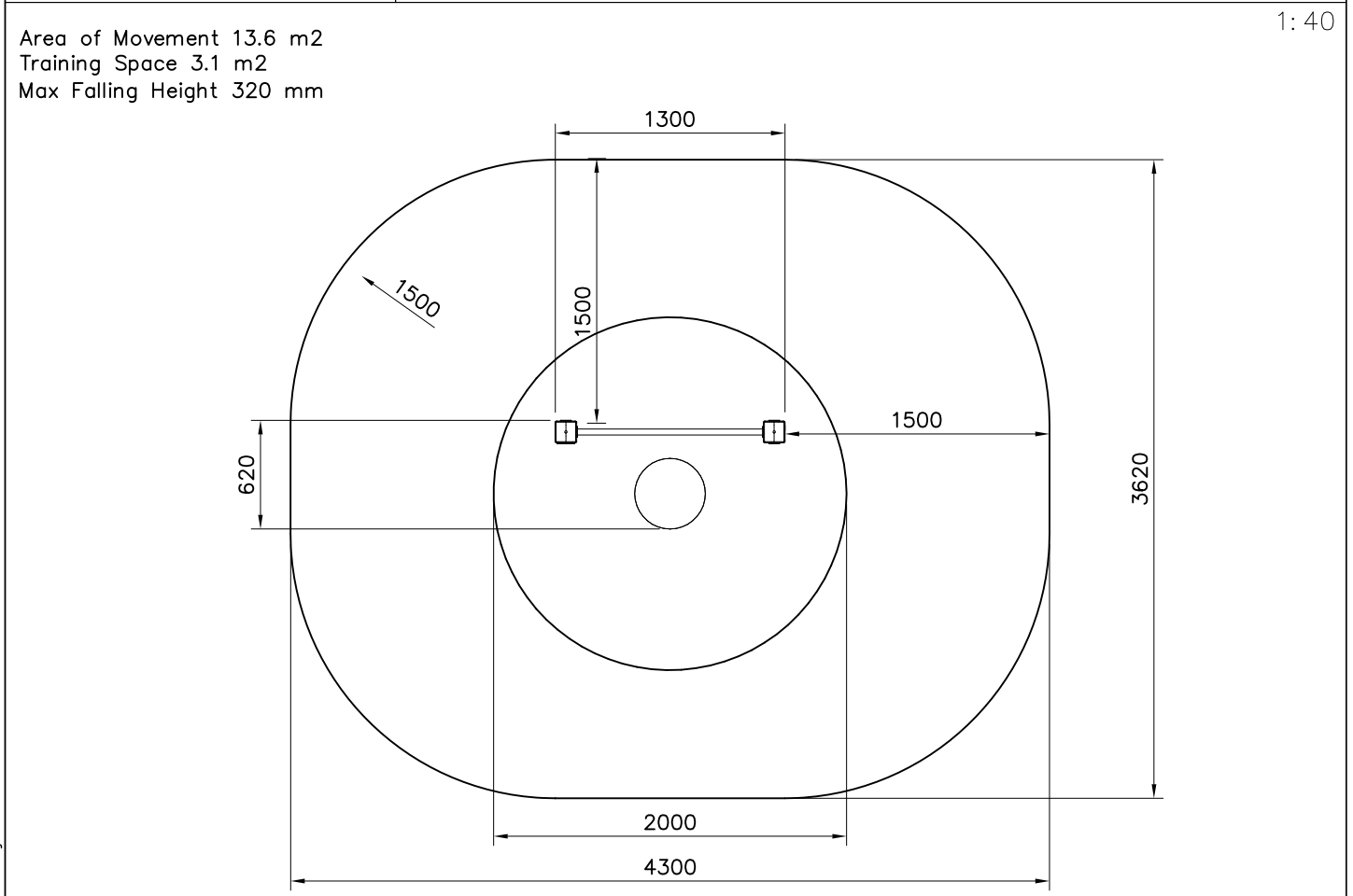
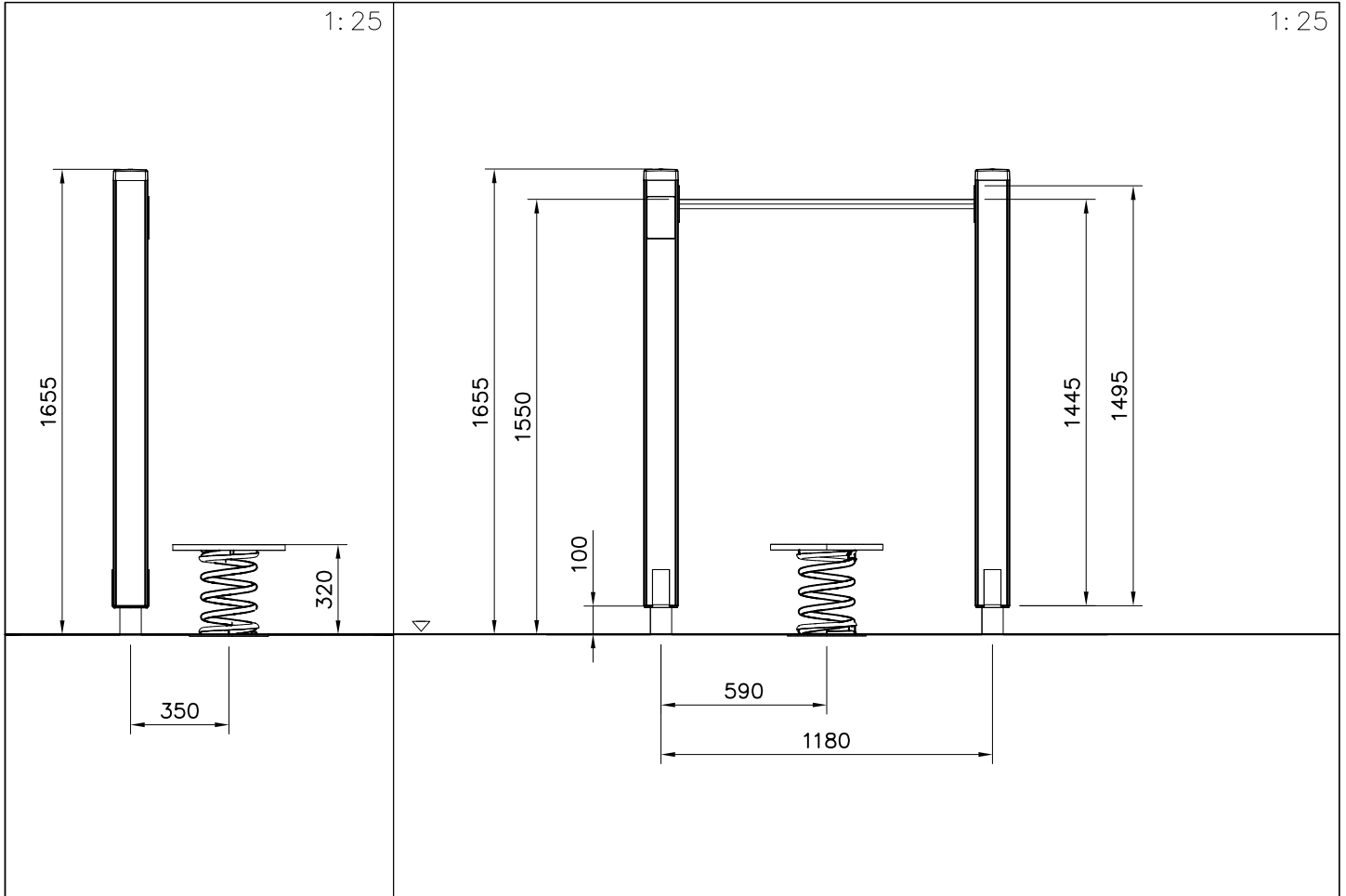
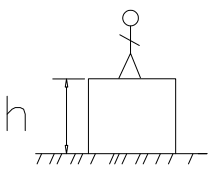



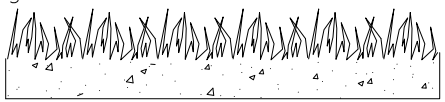
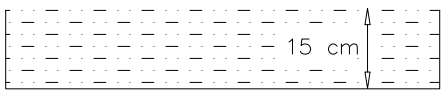
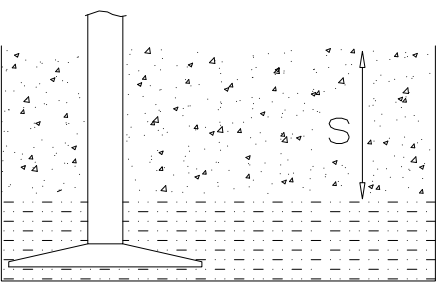
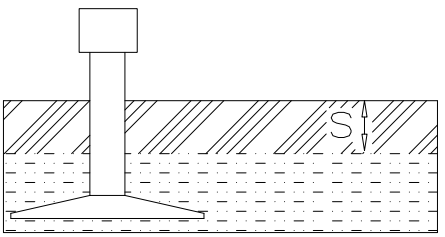
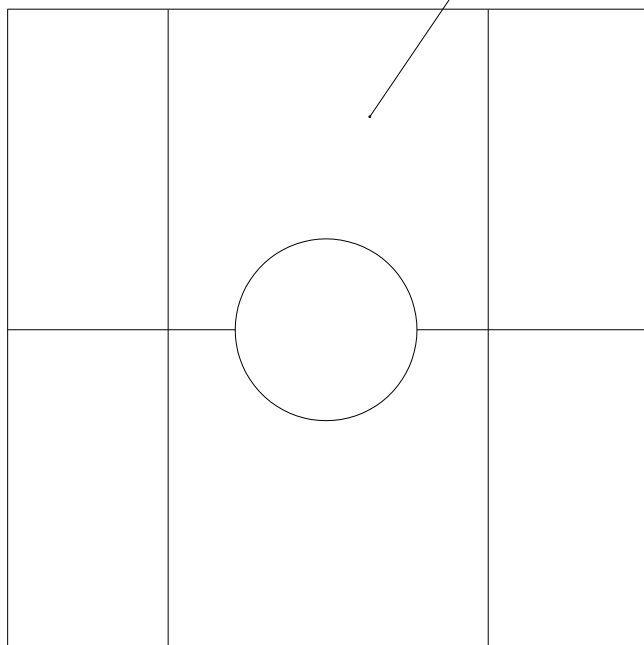


| | | | | | |
|---|---|-----|--|---|-----|
| ① | 706045 | PCS | ② | 705345 | PCS |
| |  | 1 | |  | 2 |
| | | | | 120x120x1520 | |
| ③ | 705101 | PCS | ④ | 980114 | PCS |
| |  | 1 | |  | 4 |
| | | | | Ø4x20 | |
| ⑤ | 905104 | PCS | ⑥ | 905830 | PCS |
| |  | 8 | |  | 2 |
| | M10 | | | 123x123x40 | |
| ⑦ | 905838 | PCS | ⑧ | 980104 | PCS |
| |  | 1 | |  | 2 |
| | 1060 Lime | | | Ø5x90 | |
| ⑨ | 980123 | PCS | ⑩ | 905761 | PCS |
| |  | 16 | |  | 2 |
| | Ø7x60 | | | 120x120x700 | |
| ⑪ | 705432 | PCS | ⑫ | 901487 | PCS |
| |  | 1 | |  | 3 |
| | Ø400 | | | M10x40 | |
| ⑬ | 909256 | PCS | ⑭ | 906316 | PCS |
| |  | 16 | |  | 1 |
| | Ø16/8.4 | | | 20x200x300 | |
| ⑮ | 903191 | PCS |  <p>M10x35 (902252)</p> <p>Ø20/10.5x2 (901302)</p> <p>M10 (909637)</p> <p>19x21x25 (903193)</p> | | |
| | | 2 | | | |

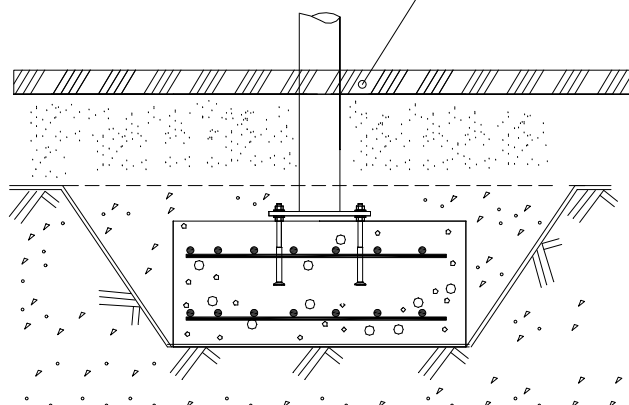


| | | | | | | | | | | | | |
|---|--|---|-----------------|-----------------|----------------|---------|----------------|---------|----------------|-------|----------------|---|
|  | | | | | | | | | | | | |
| <p>$h < 600$</p> <p>Without movement and therefore without Impact Area</p> | <p>Totally hard surfaces.</p> <p>Note. Lappset does <u>not recommend</u> totally hard surfaces at all.</p> | <p>E.g. concrete or asphalt</p>  | | | | | | | | | | |
| <p>$h < 600$</p> <p>With movement e.g. rocking</p> | <p>Materials with very limited impact attenuating properties.</p> | <p>E.g. wood</p>  | | | | | | | | | | |
| <p>$h < 1000$</p> | <p>Materials with significant impact attenuating properties.</p> | <p>fine gravel 0–8 mm</p>  <p>grass</p>  <p>unsorted sand</p>  | | | | | | | | | | |
| <p>$h < 3000$</p> | <p>Loose fill material</p> <p>E.g. sand/gravel 0,25...8 mm D60/D10<3,0 Woodchips 5...30 mm bark 20...80 mm</p> |  <table data-bbox="1021 1680 1356 1792"> <tr> <td>\underline{S}</td> <td>\underline{h}</td> </tr> <tr> <td>30 cm</td> <td>< 2,0 m</td> </tr> <tr> <td>40 cm</td> <td>< 3,0 m</td> </tr> </table> | \underline{S} | \underline{h} | 30 cm | < 2,0 m | 40 cm | < 3,0 m | | | | |
| \underline{S} | \underline{h} | | | | | | | | | | | |
| 30 cm | < 2,0 m | | | | | | | | | | | |
| 40 cm | < 3,0 m | | | | | | | | | | | |
| | <p>Syntethic granulates</p> <table data-bbox="399 1881 766 2060"> <tr> <td>\underline{S}</td> <td>\underline{h}</td> </tr> <tr> <td>40 mm</td> <td>~> 1,2...1,3 m</td> </tr> <tr> <td>50 mm</td> <td>~> 1,5...1,7 m</td> </tr> <tr> <td>60 mm</td> <td>~> 1,8...2,0 m</td> </tr> <tr> <td>70 mm</td> <td>~> 2,1...2,5 m</td> </tr> </table> <p>Note. For accurate values, see manufacturer's instructions.</p> | \underline{S} | \underline{h} | 40 mm | ~> 1,2...1,3 m | 50 mm | ~> 1,5...1,7 m | 60 mm | ~> 1,8...2,0 m | 70 mm | ~> 2,1...2,5 m |  |
| \underline{S} | \underline{h} | | | | | | | | | | | |
| 40 mm | ~> 1,2...1,3 m | | | | | | | | | | | |
| 50 mm | ~> 1,5...1,7 m | | | | | | | | | | | |
| 60 mm | ~> 1,8...2,0 m | | | | | | | | | | | |
| 70 mm | ~> 2,1...2,5 m | | | | | | | | | | | |

REMOVE SAFETY SURFACE/SAND/GRAVEL
TO CHECK FOUNDATION

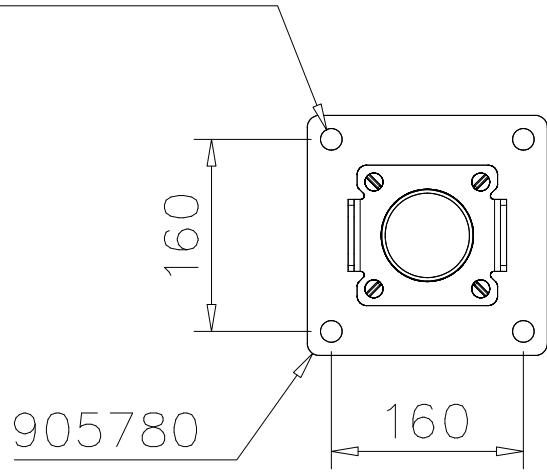


REMOVE SAFETY SURFACE/SAND/GRAVEL
TO CHECK FOUNDATION

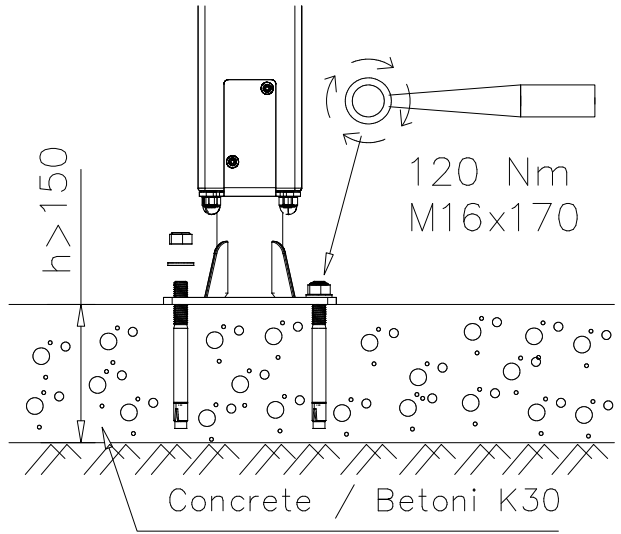


DET 1

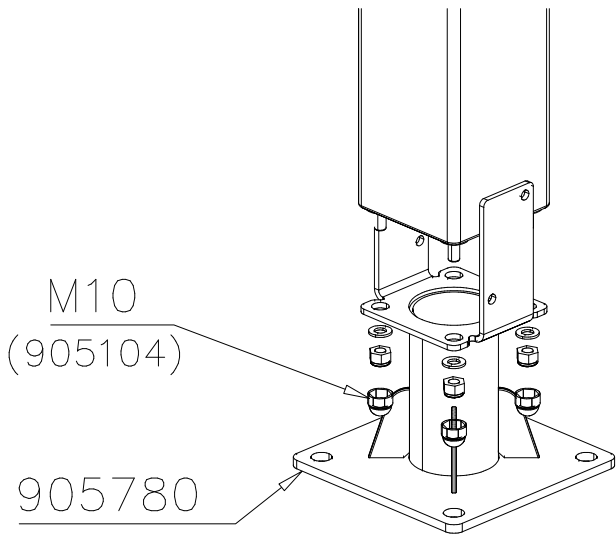
$\varnothing 16 \downarrow > 130$



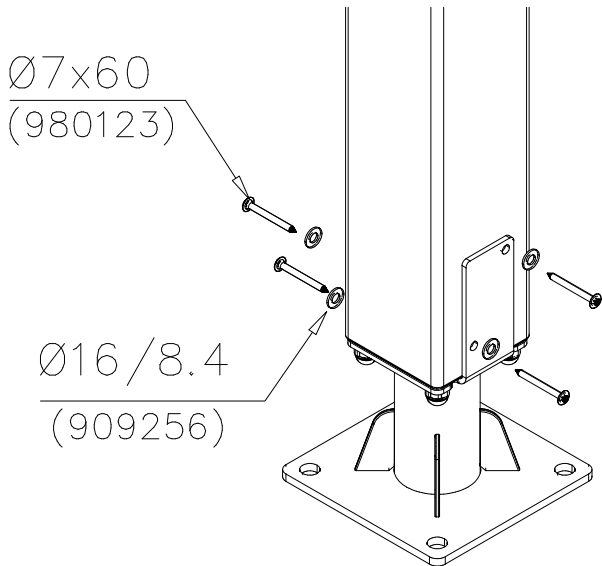
DET 2



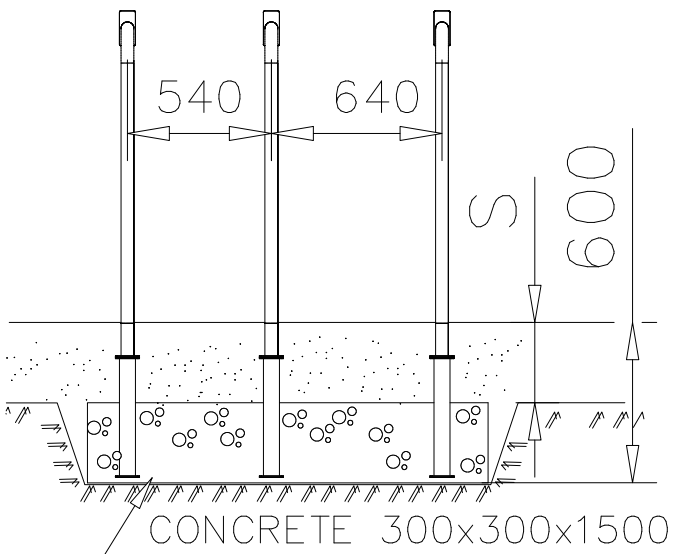
DET 3



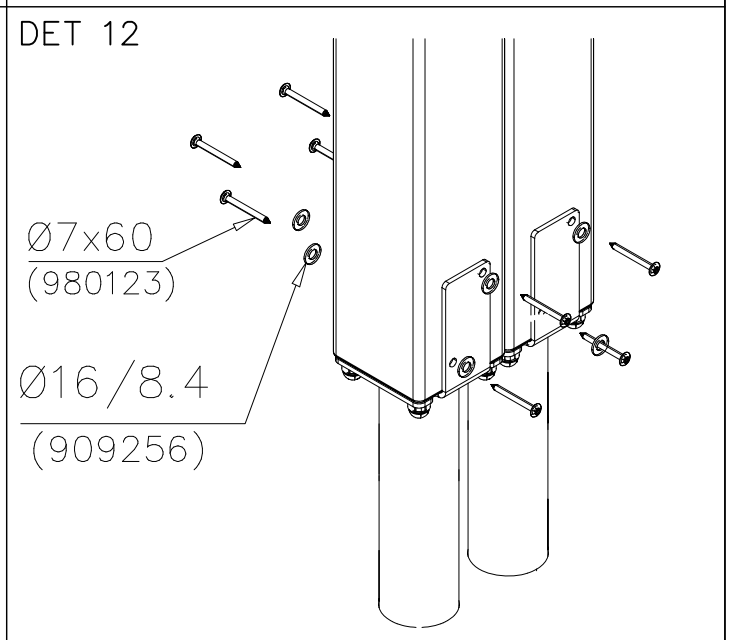
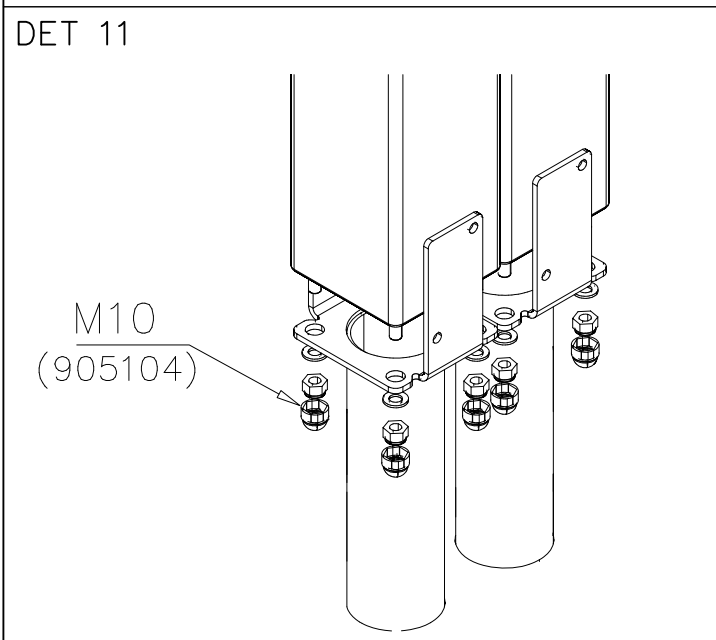
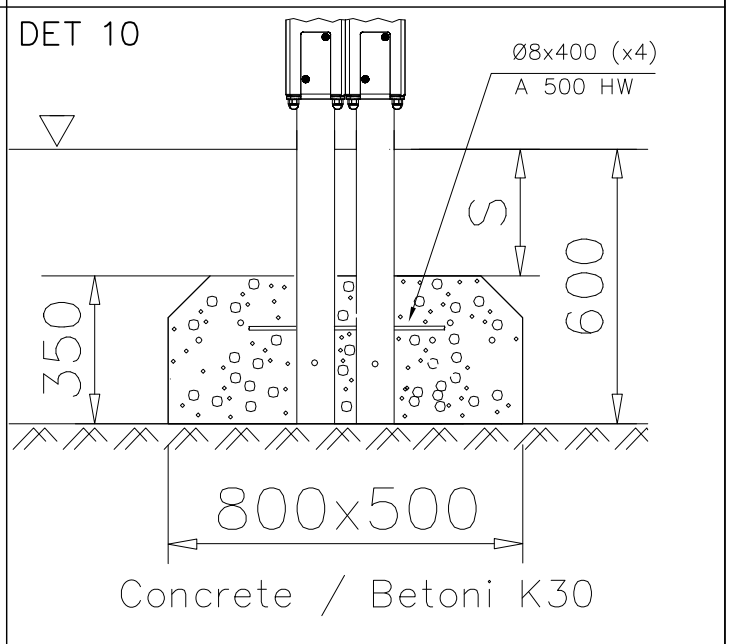
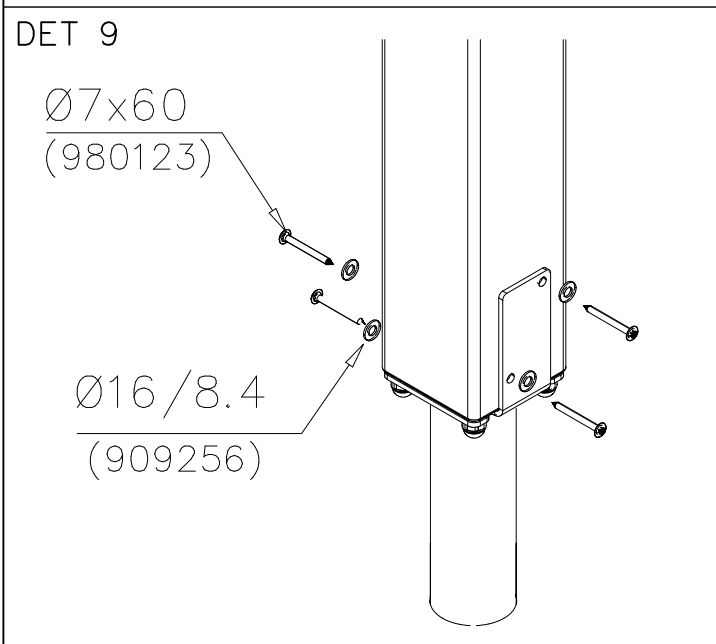
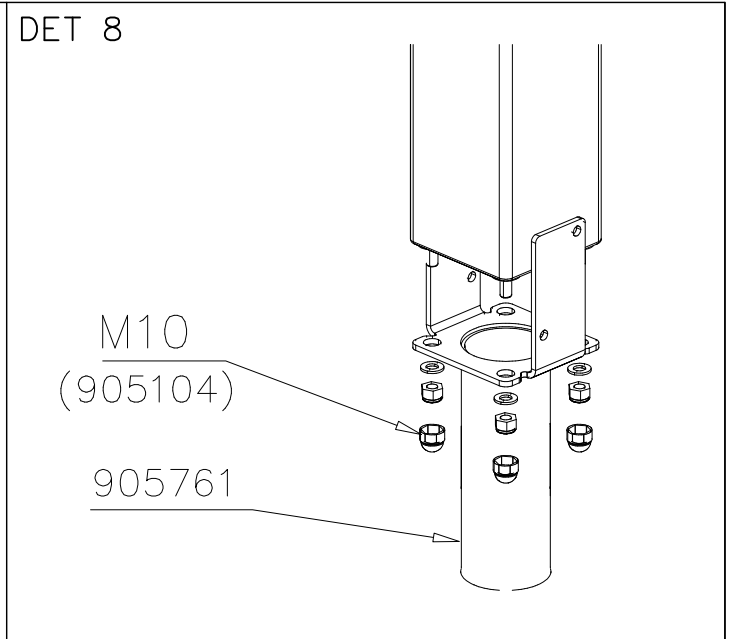
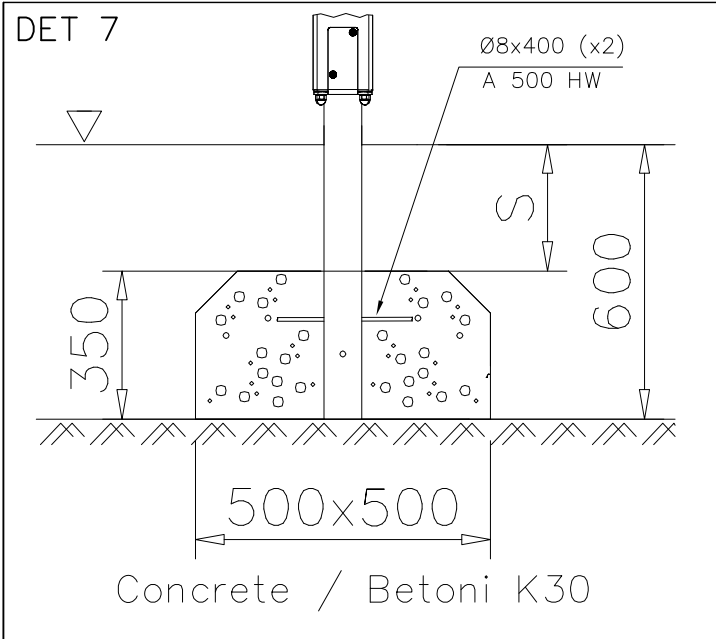
DET 4

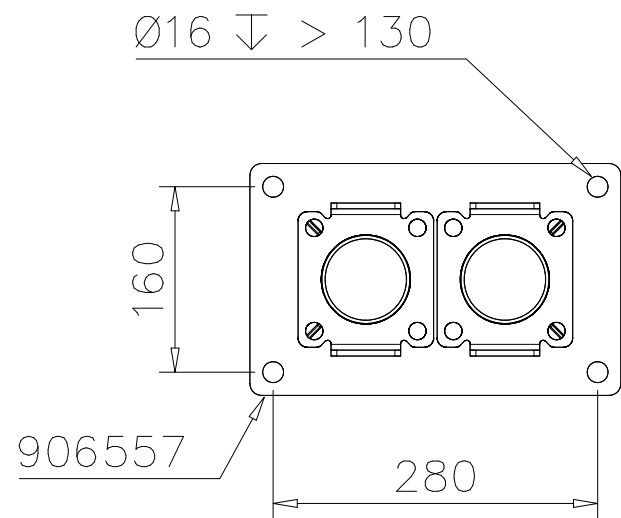
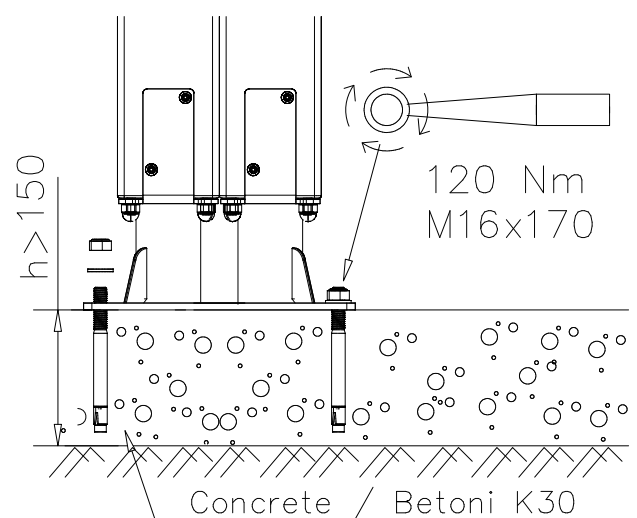
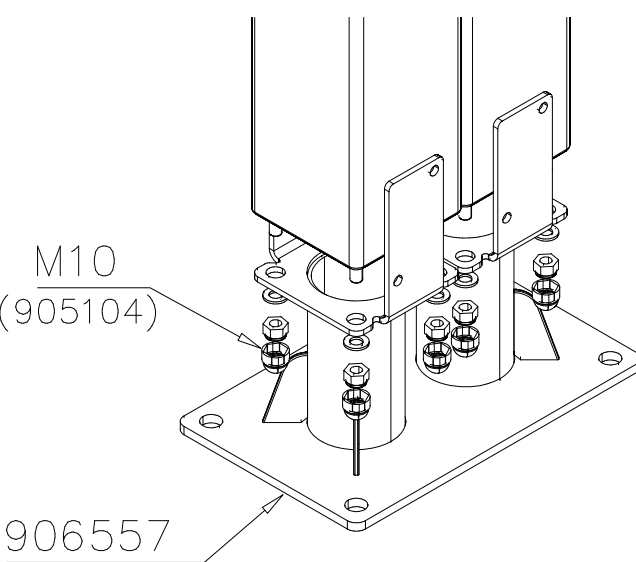
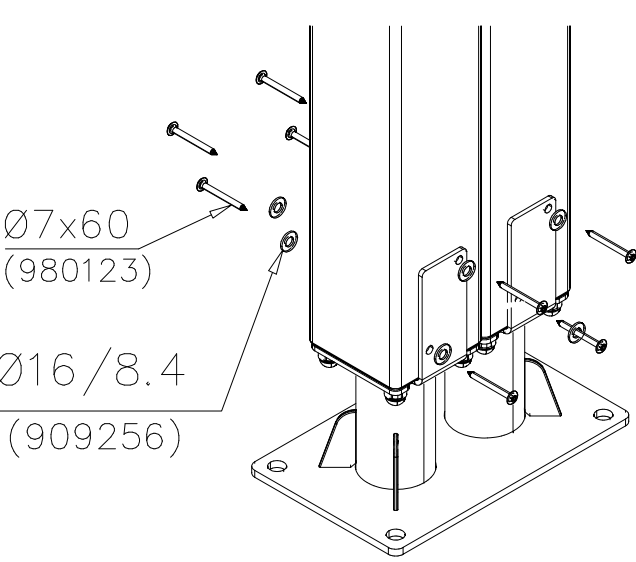


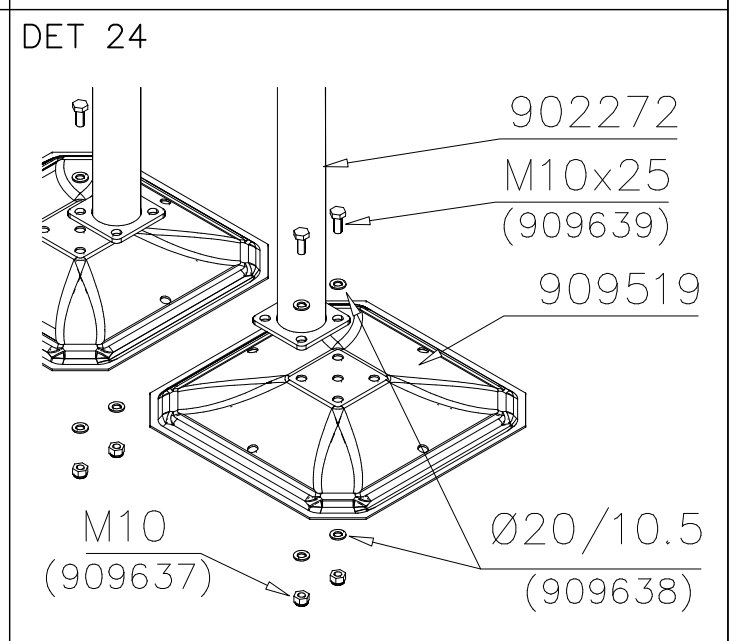
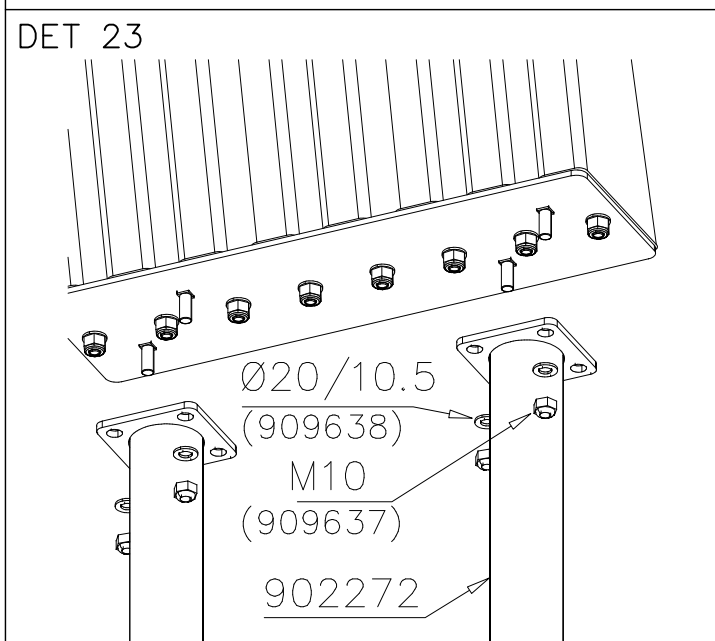
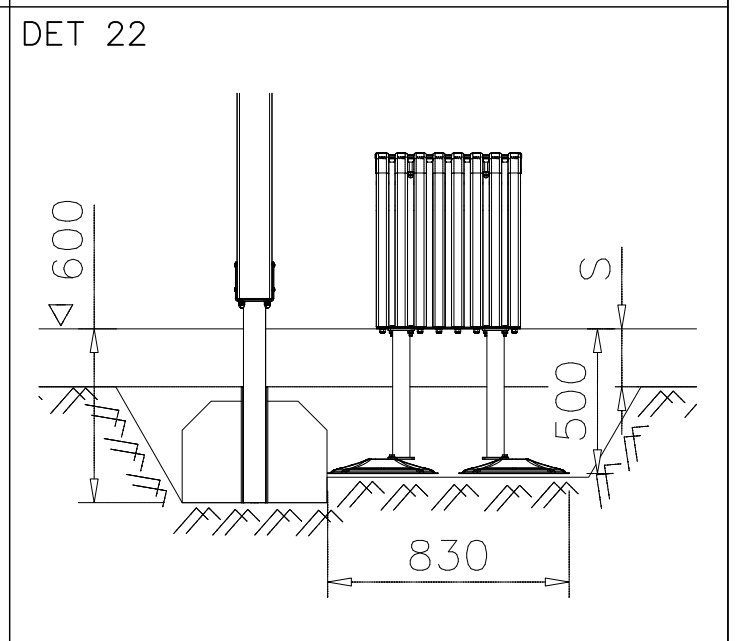
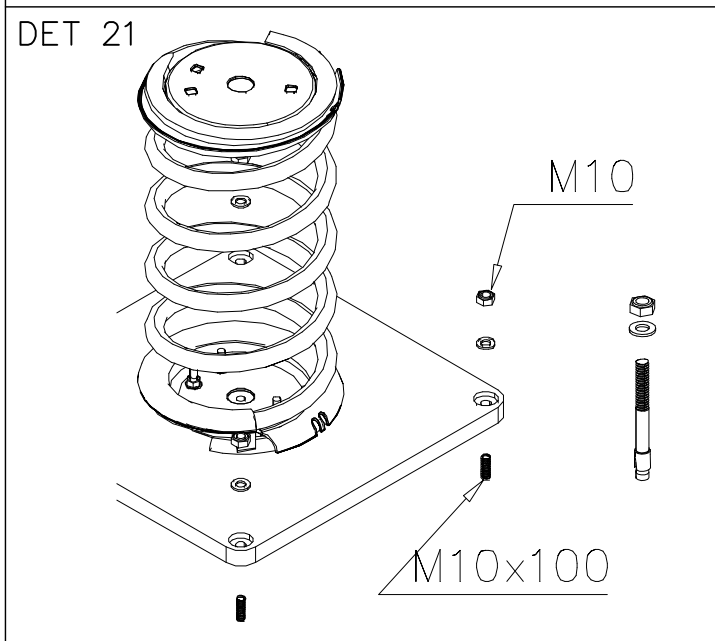
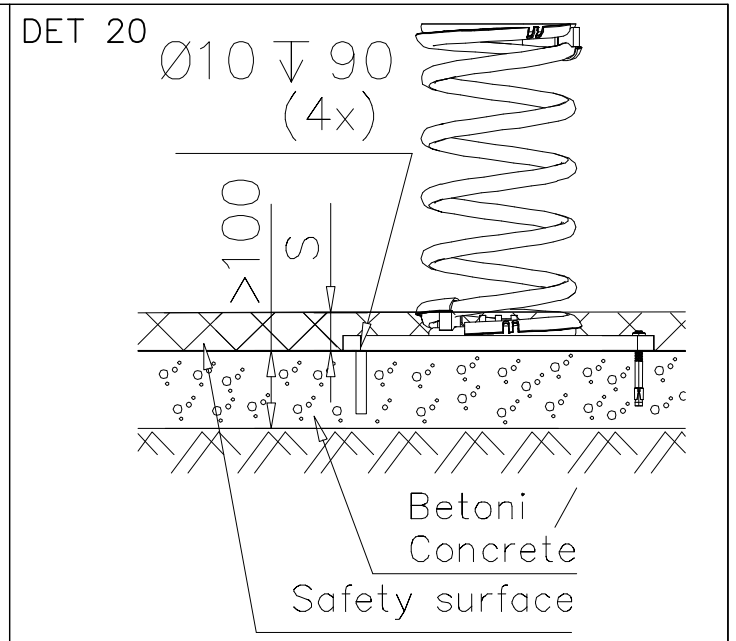
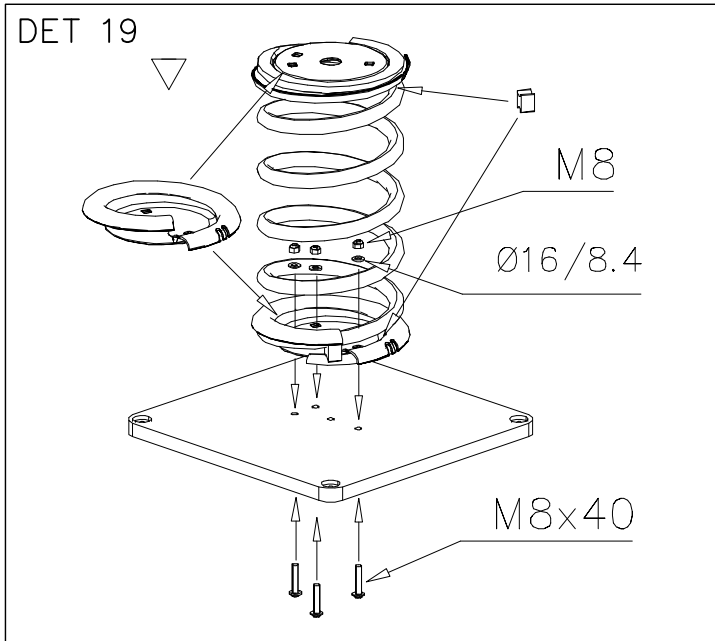
DET 5

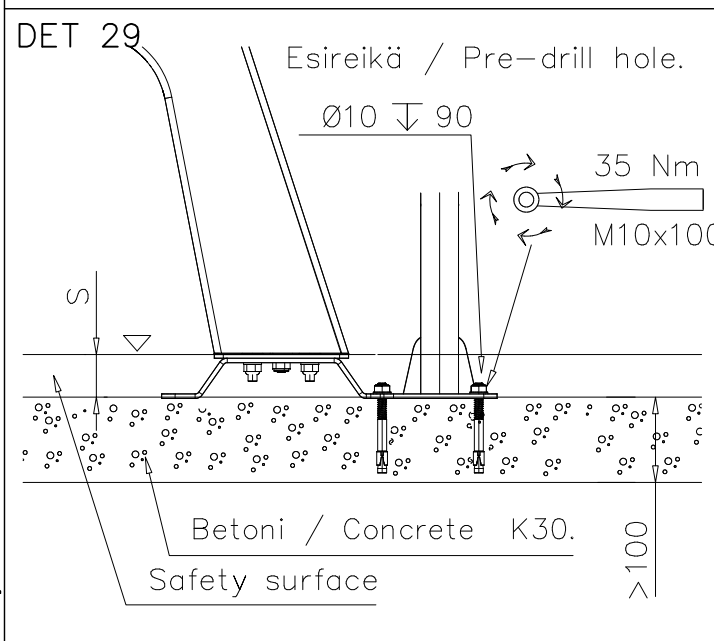
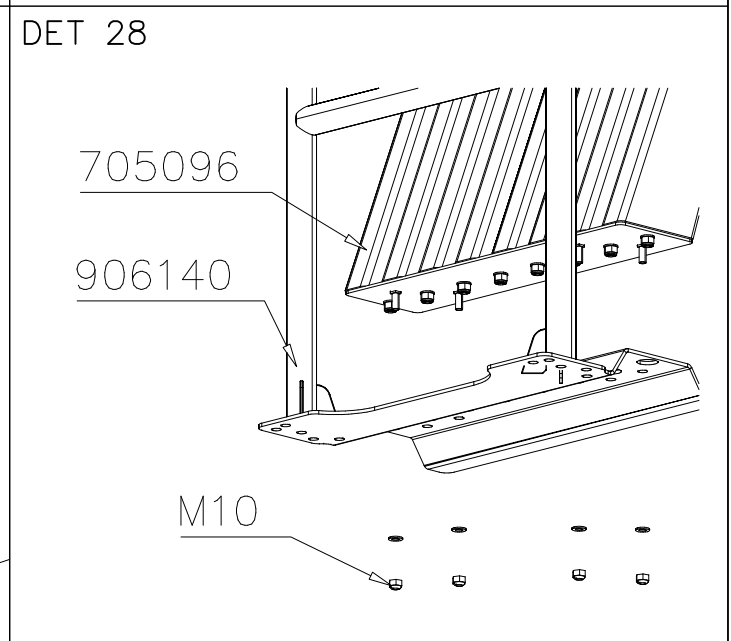
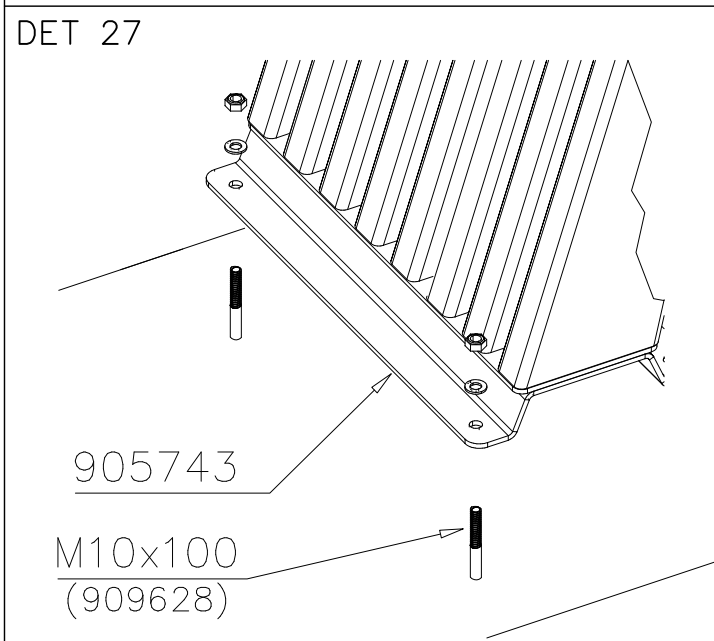
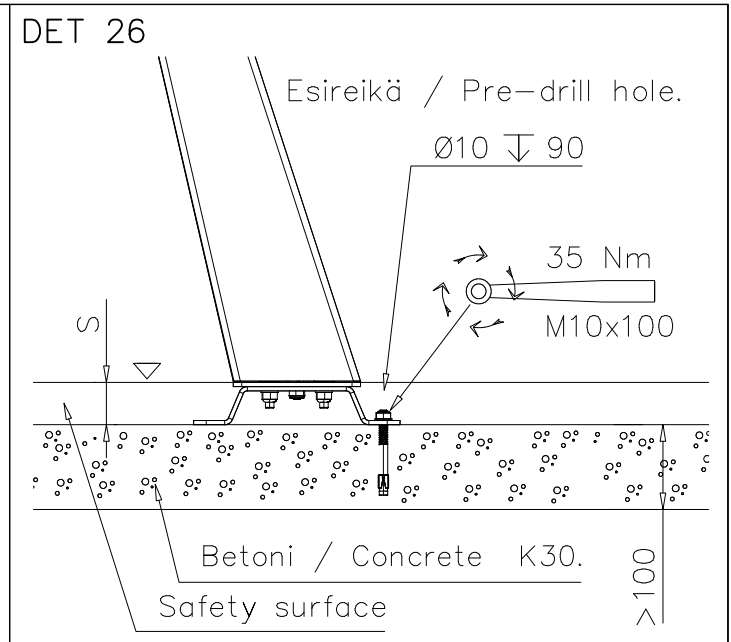
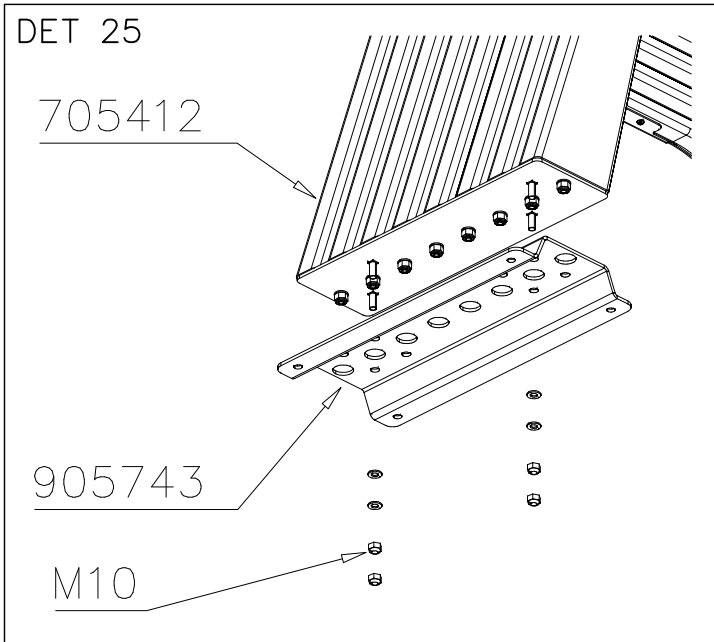


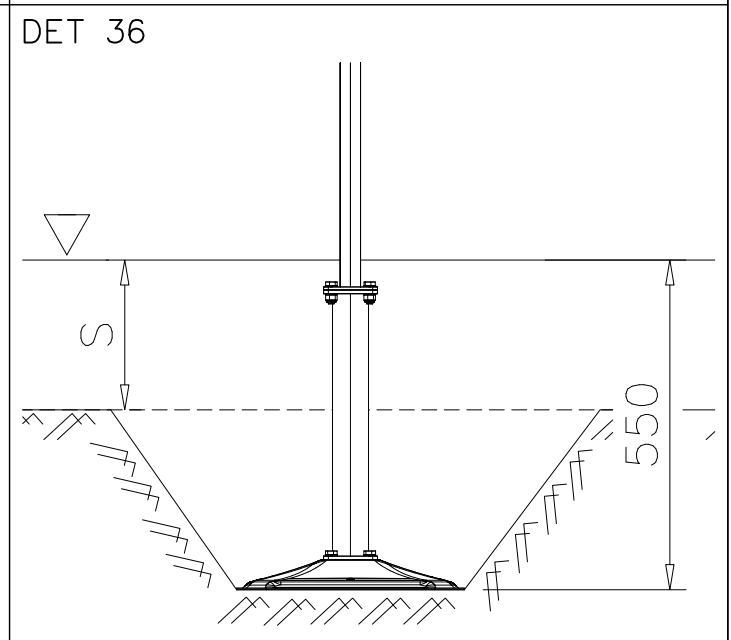
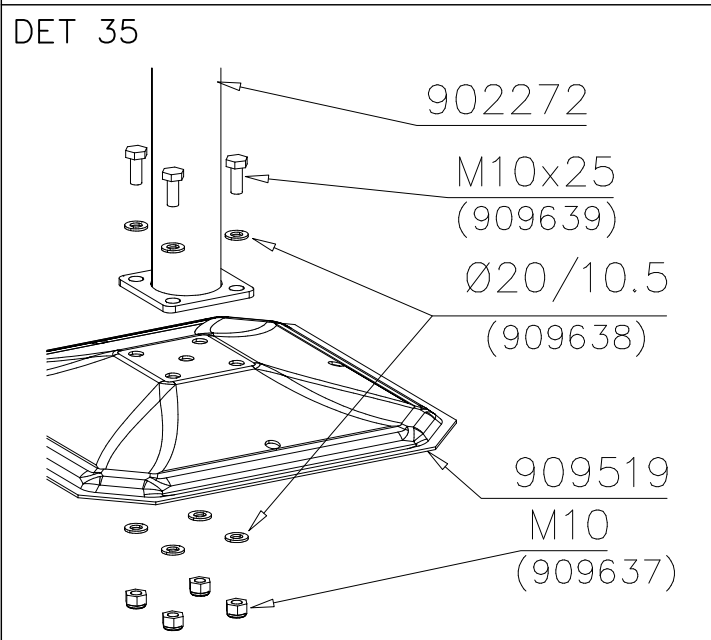
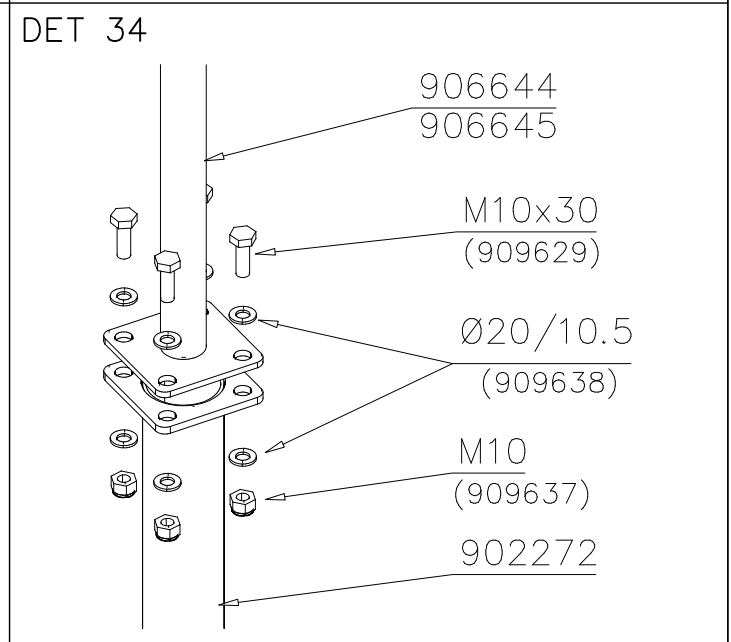
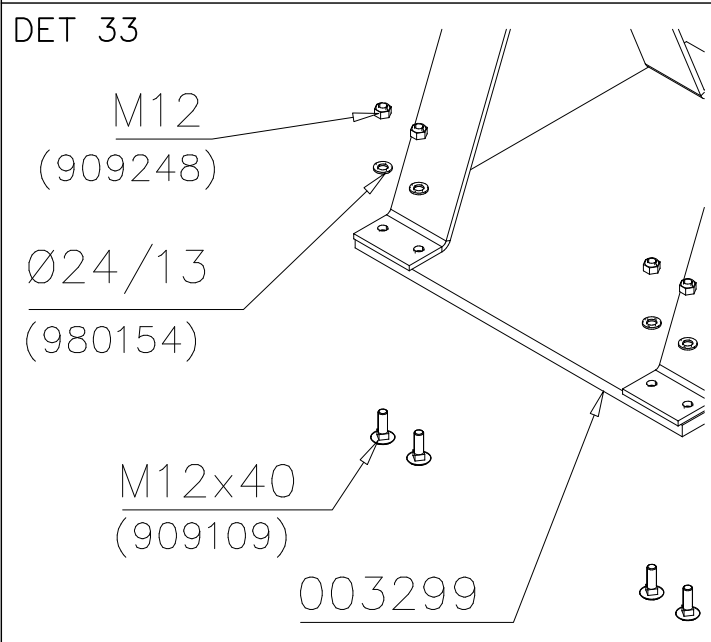
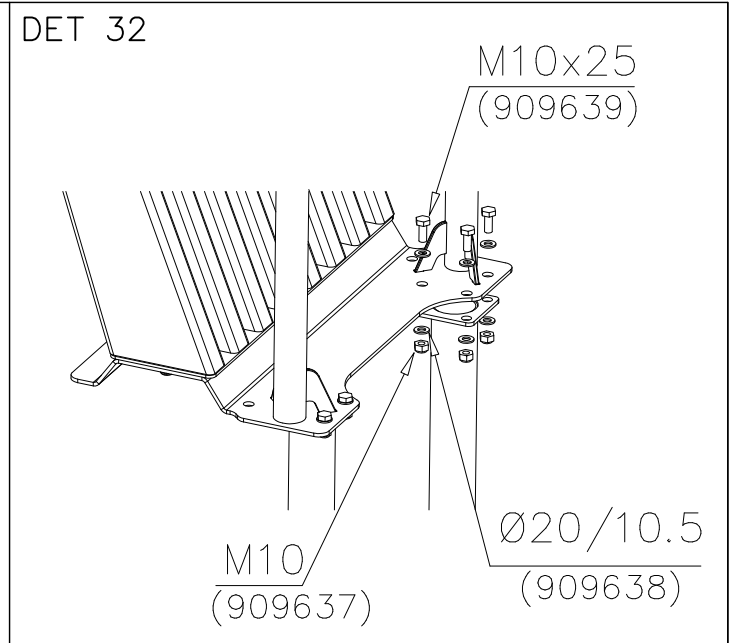
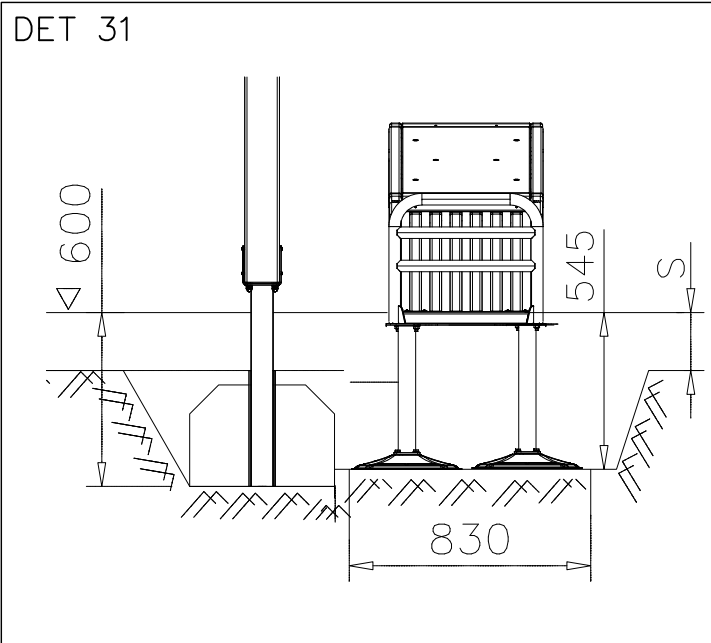
DET 6

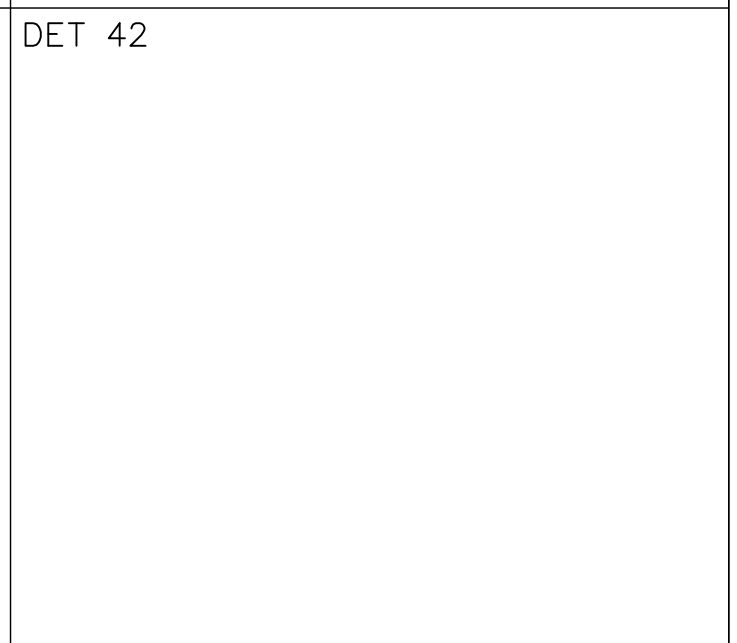
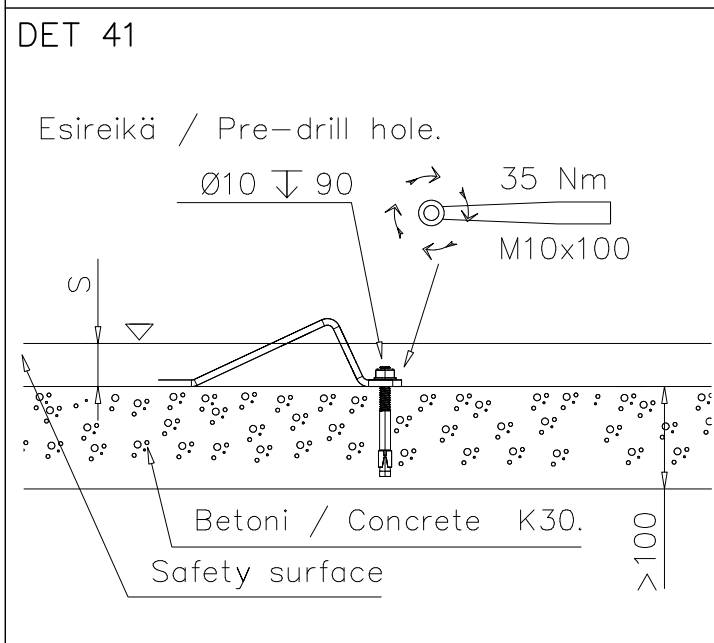
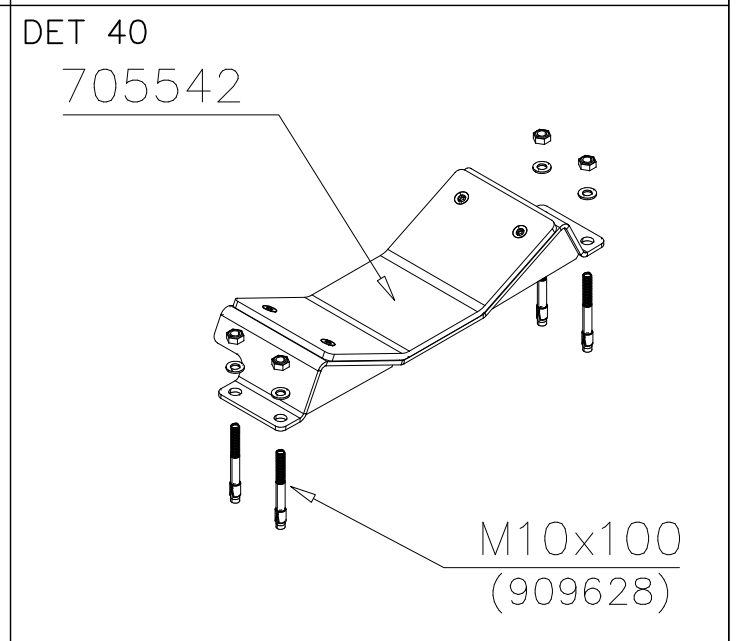
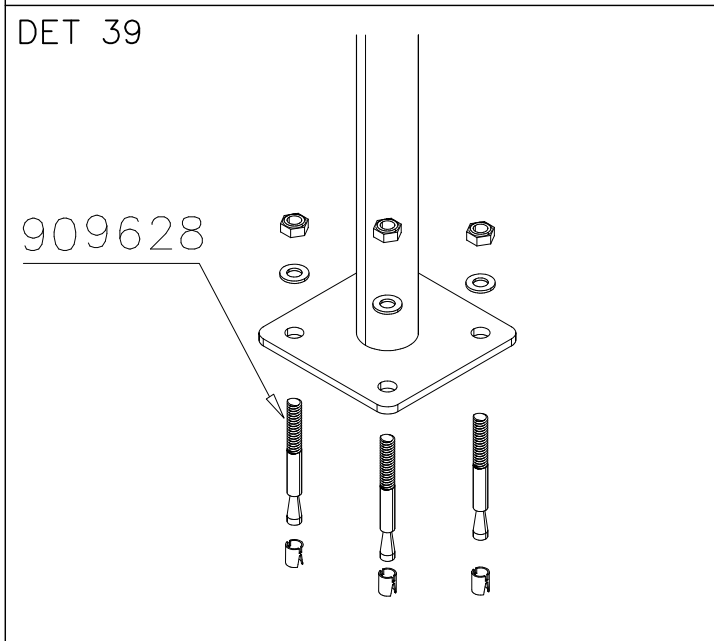
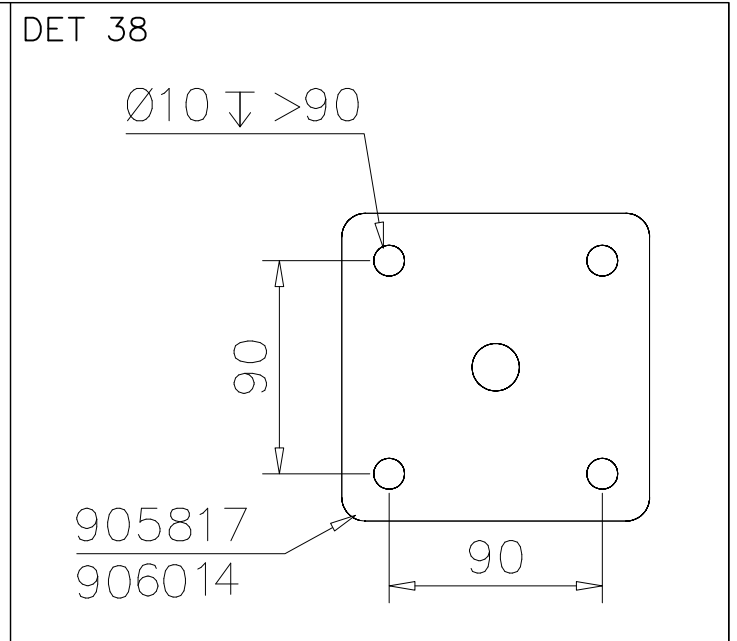
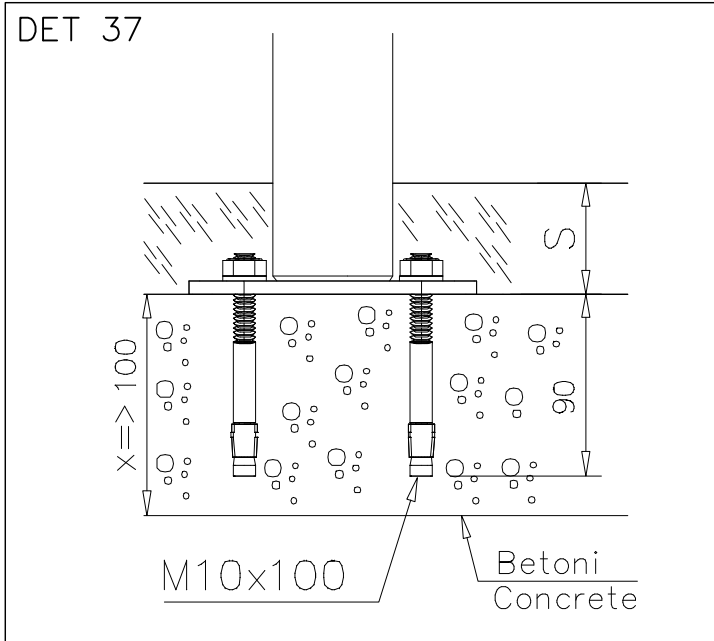


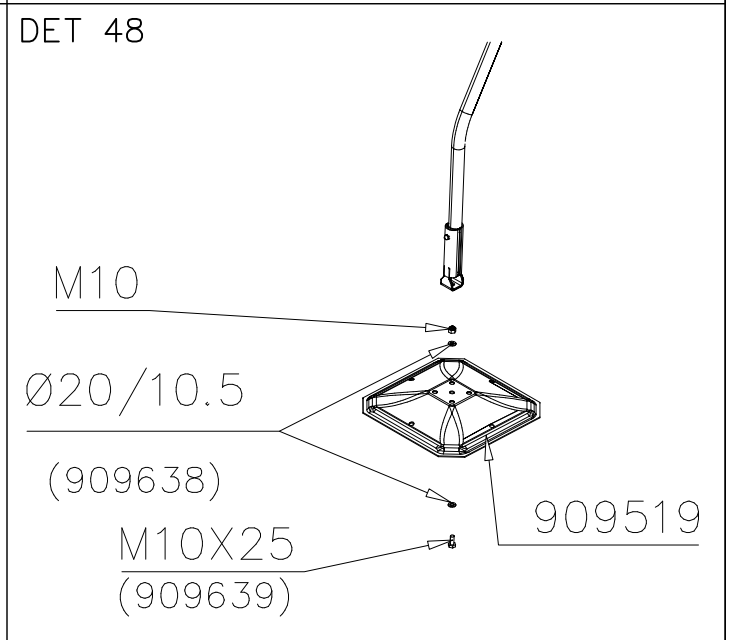
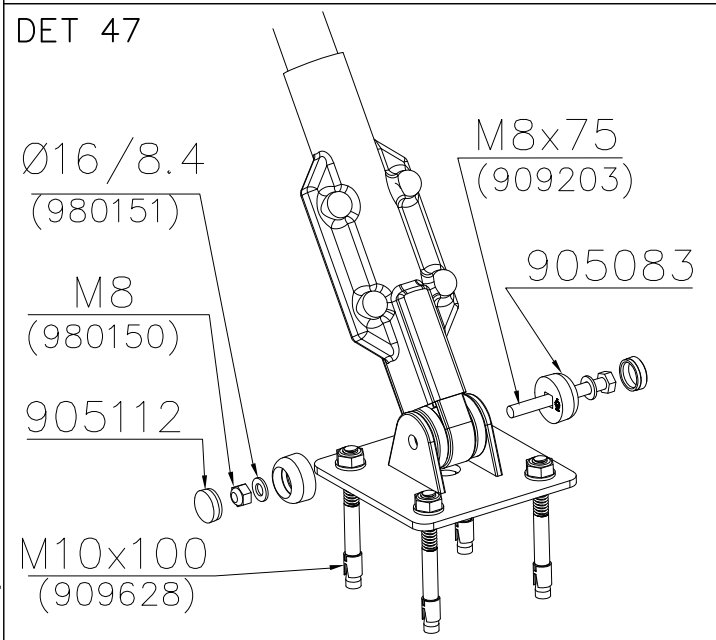
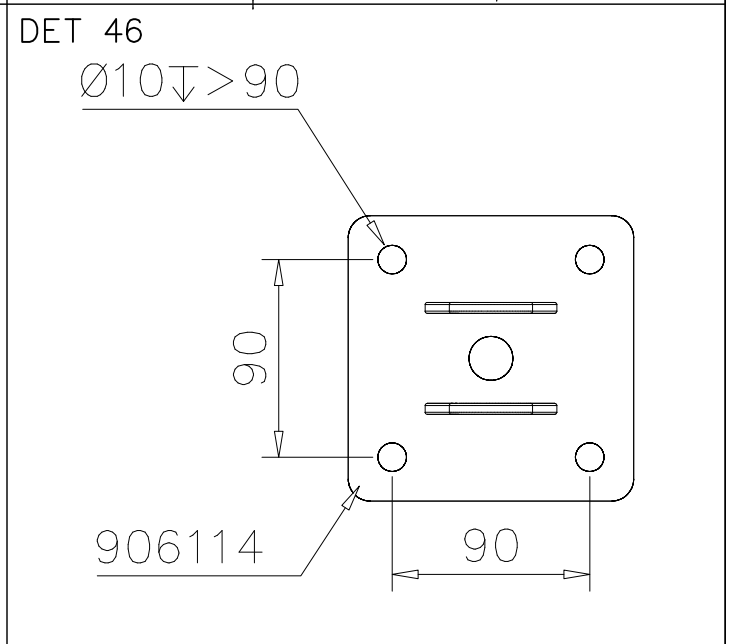
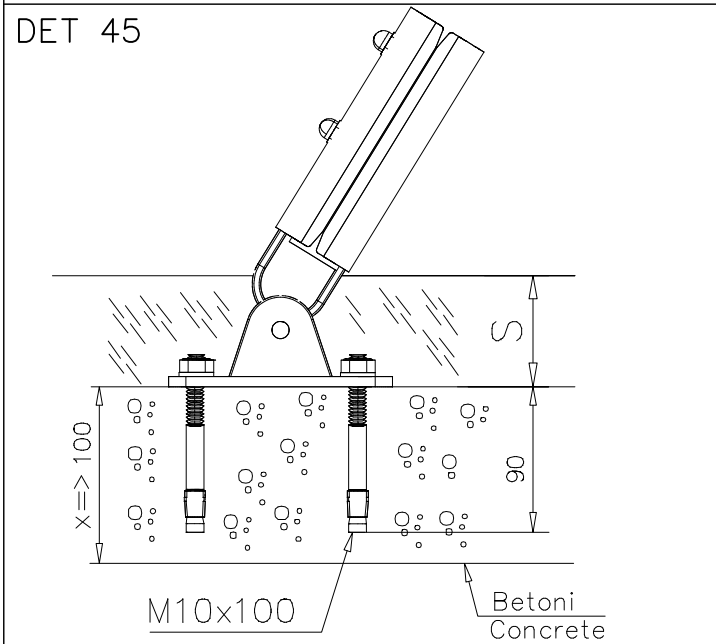
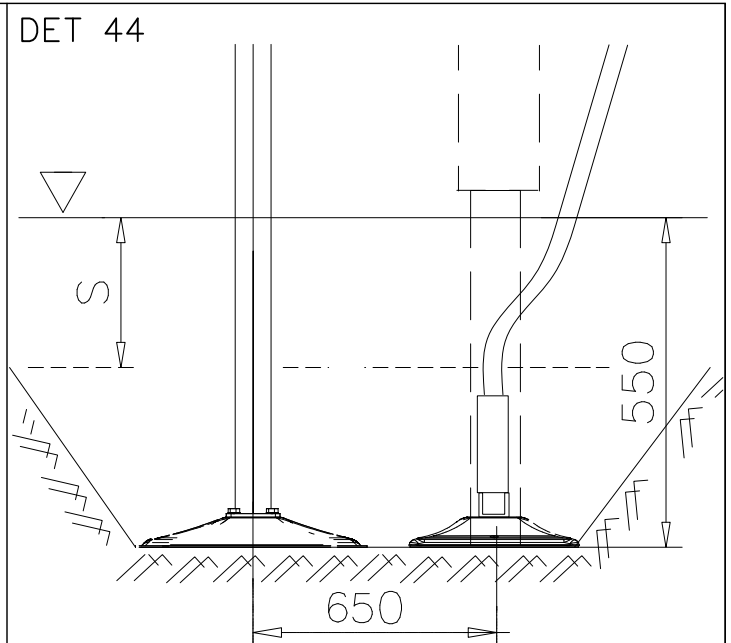
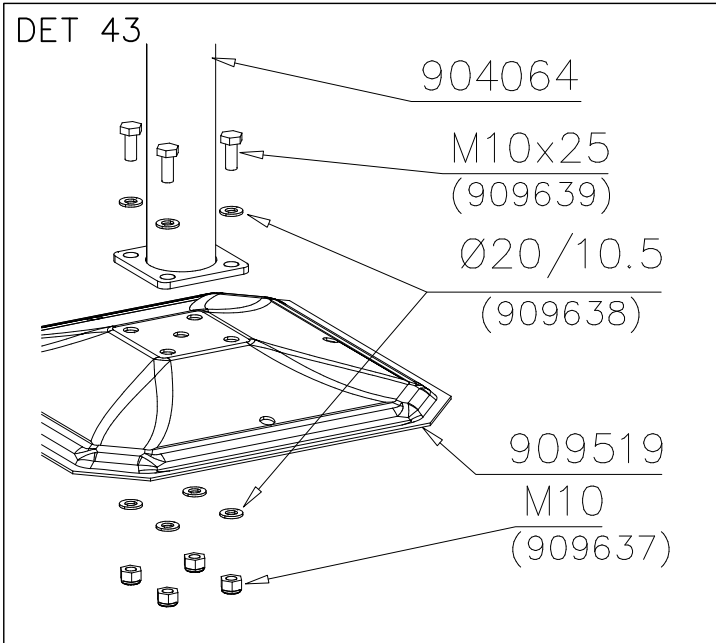
| | |
|--|---|
| <p>DET 13</p>  <p>Ø16 \Downarrow > 130</p> <p>160</p> <p>906557</p> <p>280</p> | <p>DET 14</p>  <p>h > 150</p> <p>120 Nm M16x170</p> <p>Concrete / Betoni K30</p> |
| <p>DET 15</p>  <p>M10 (905104)</p> <p>906557</p> | <p>DET 16</p>  <p>Ø7x60 (980123)</p> <p>Ø16 / 8.4 (909256)</p> |
| <p>DET 17</p> | <p>DET 18</p> |



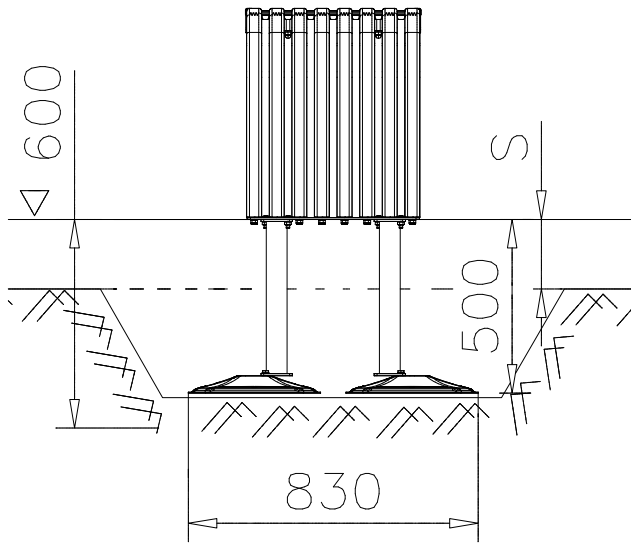




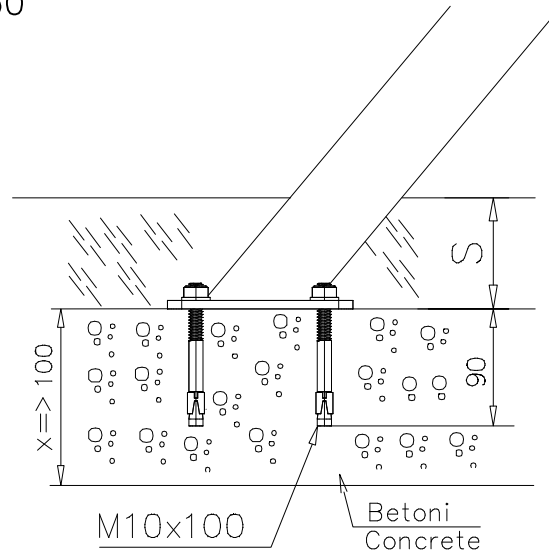




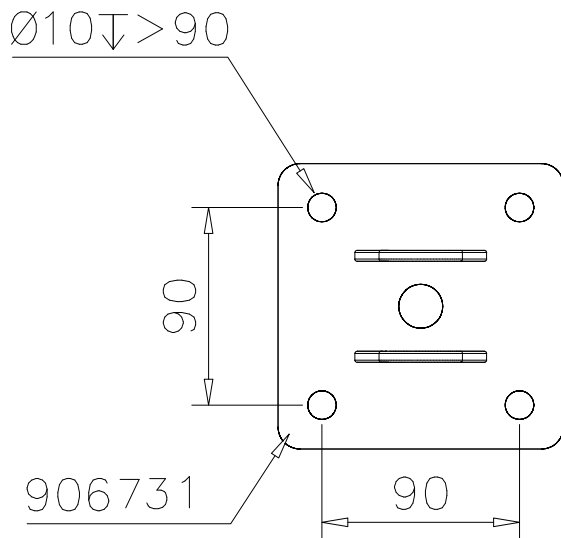
DET 49



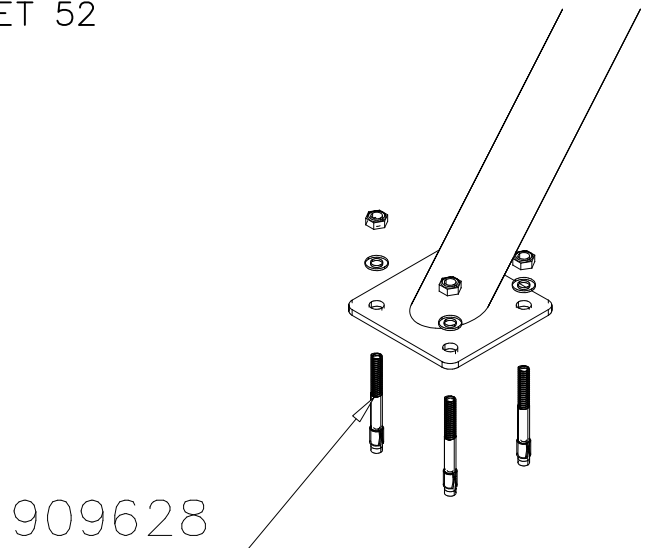
DET 50



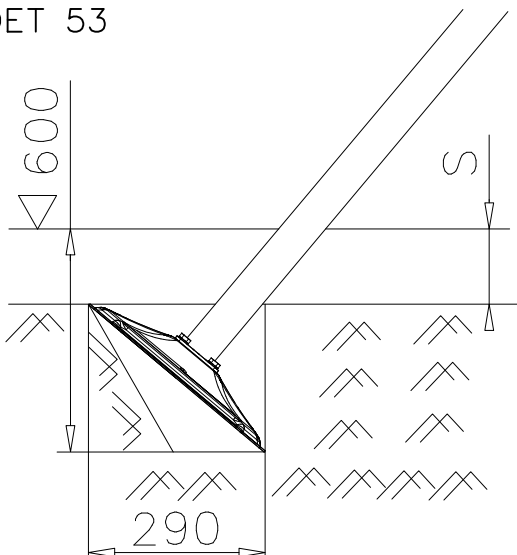
DET 51



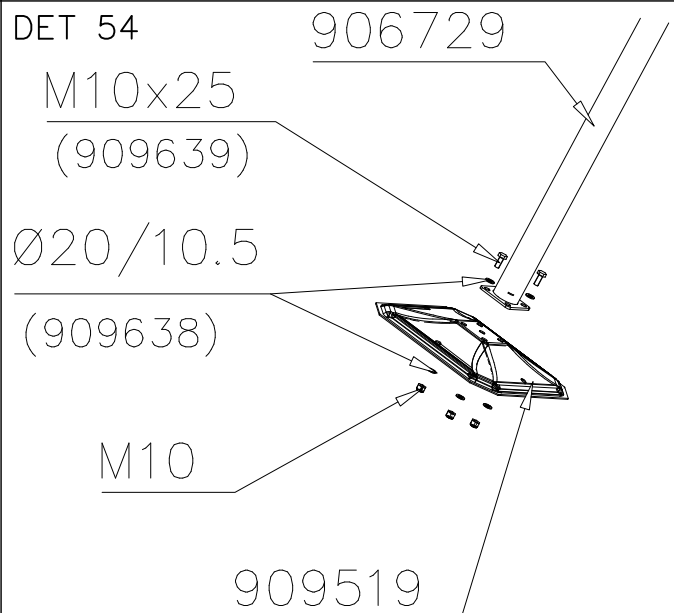
DET 52



DET 53

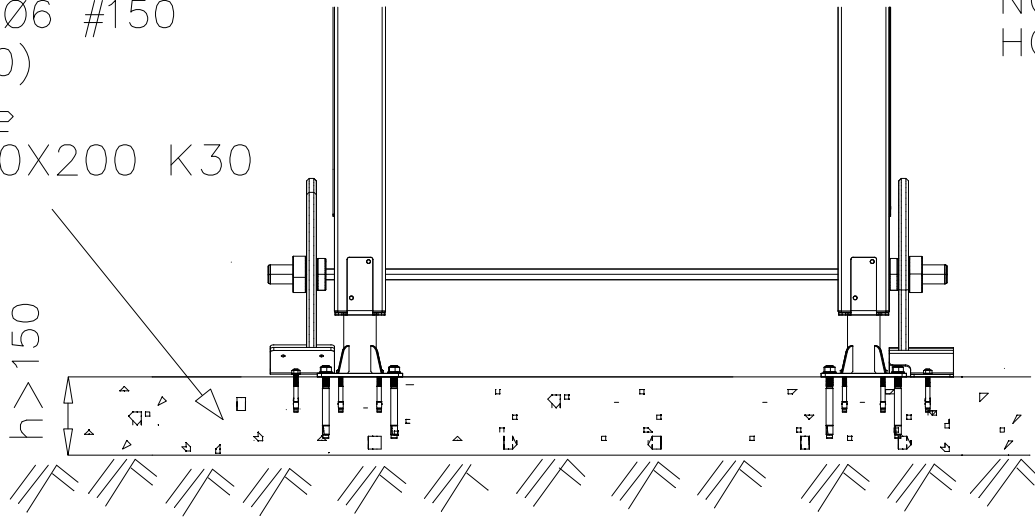


DET 54



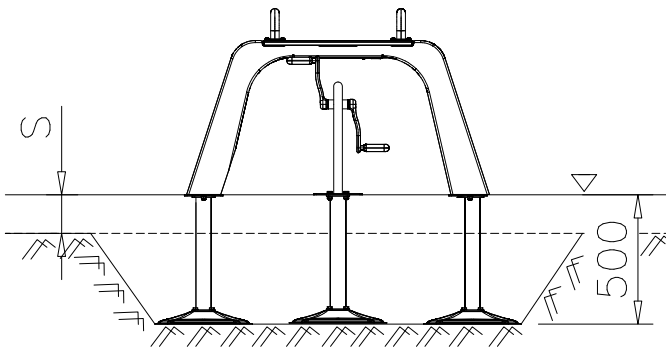
DET 55

STEELNET Ø6 #150
(1400x2100)
Concrete
1500X2200X200 K30

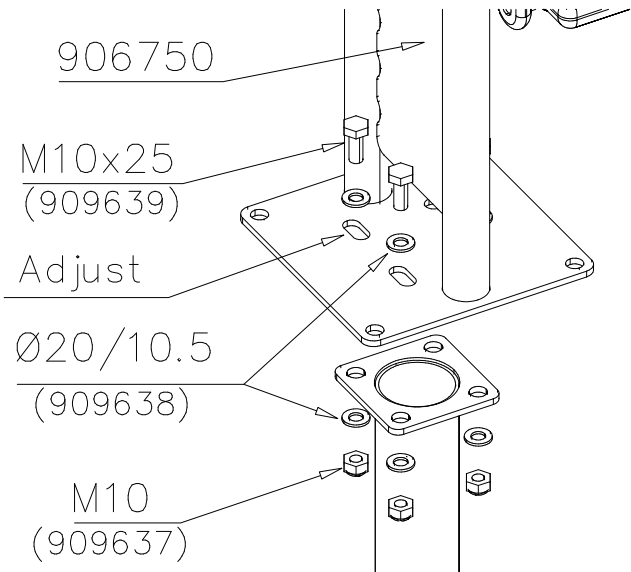


NOTE!
HOX!

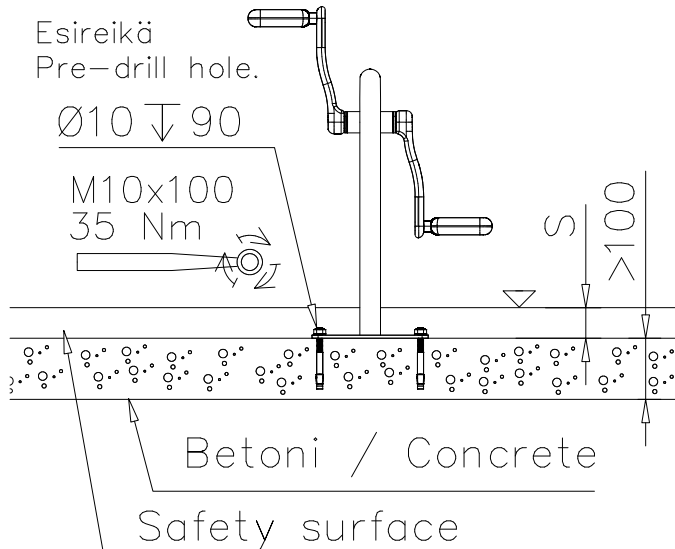
DET 56



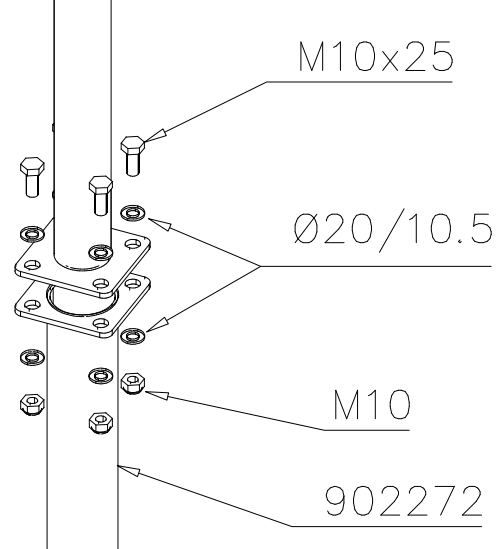
DET 57

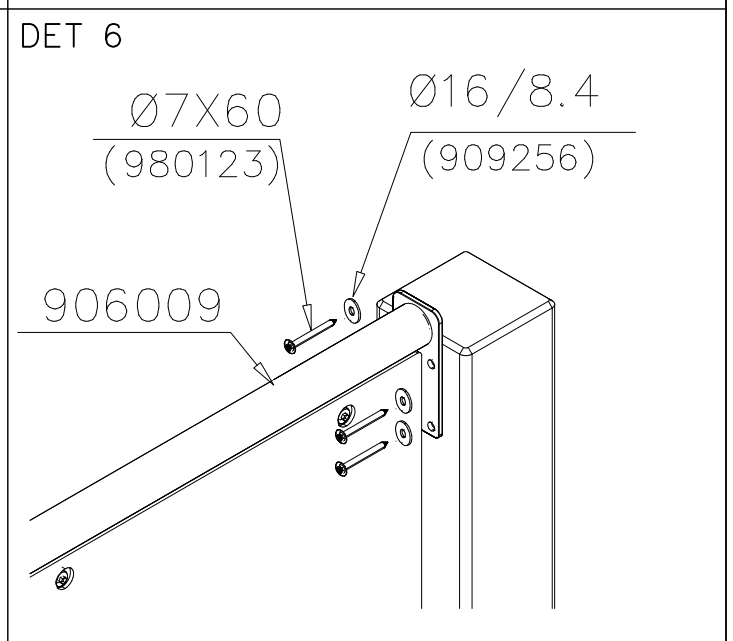
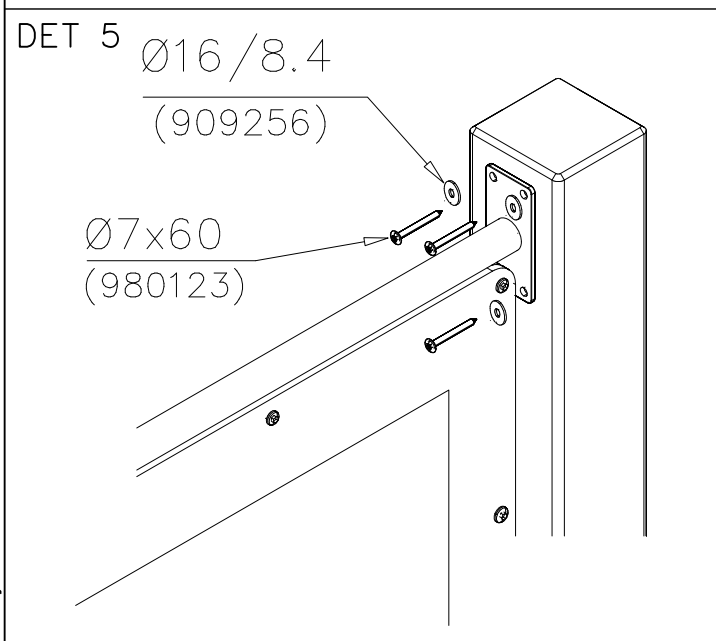
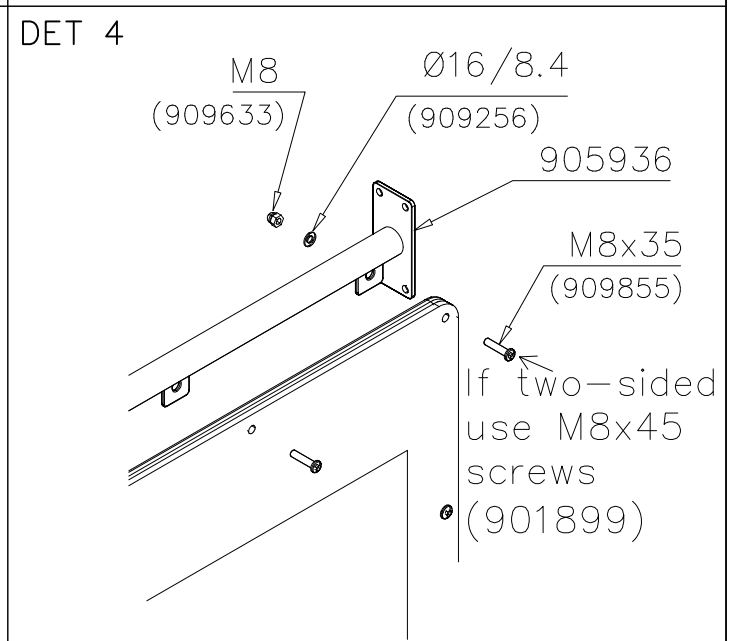
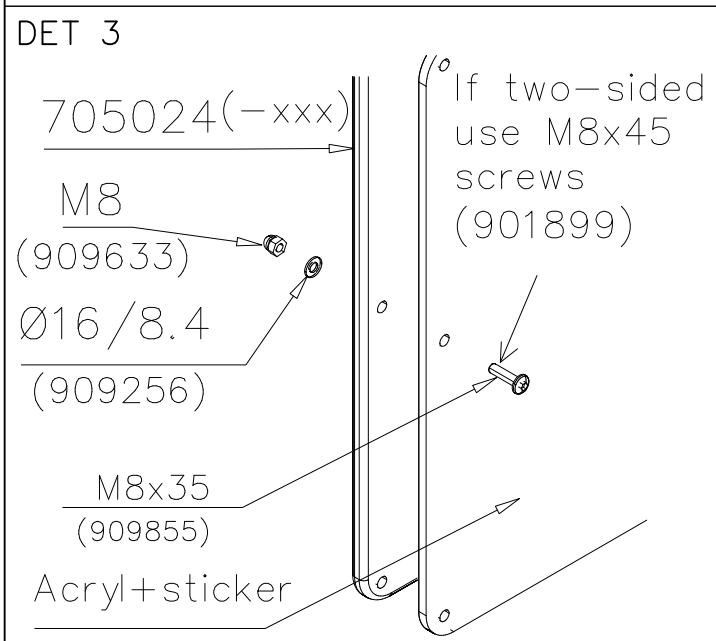
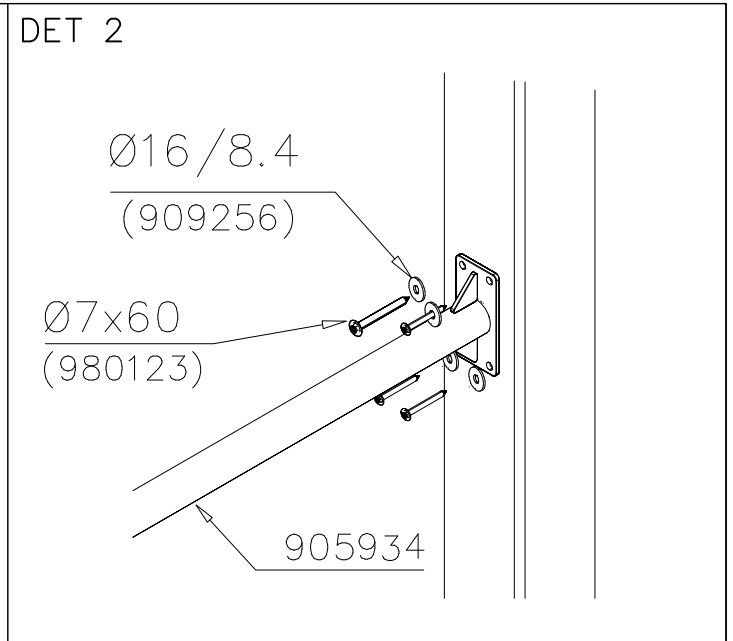
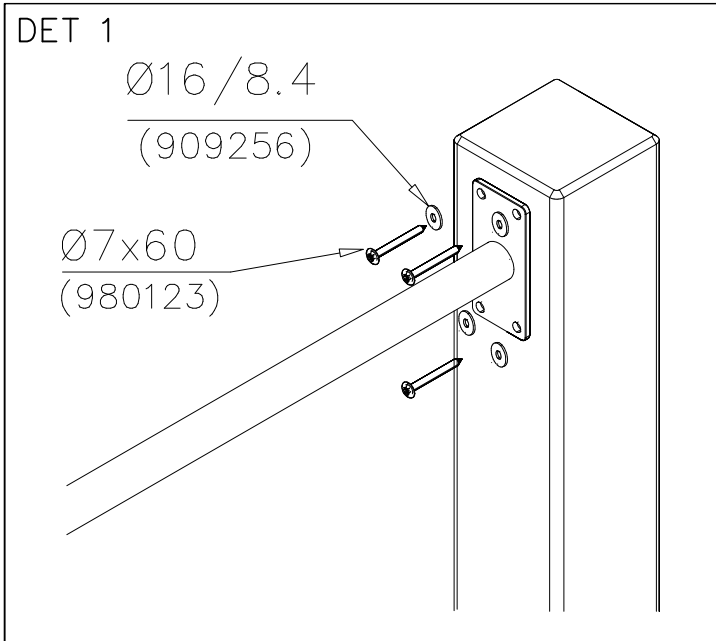


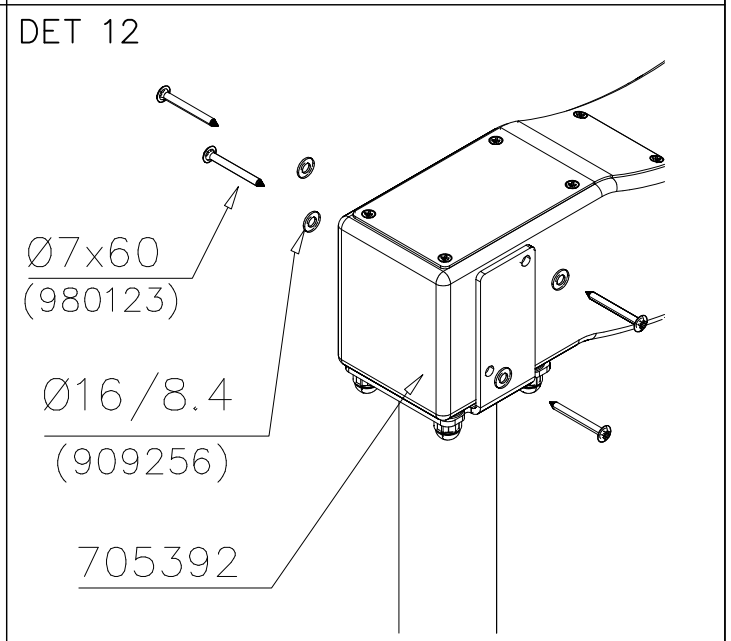
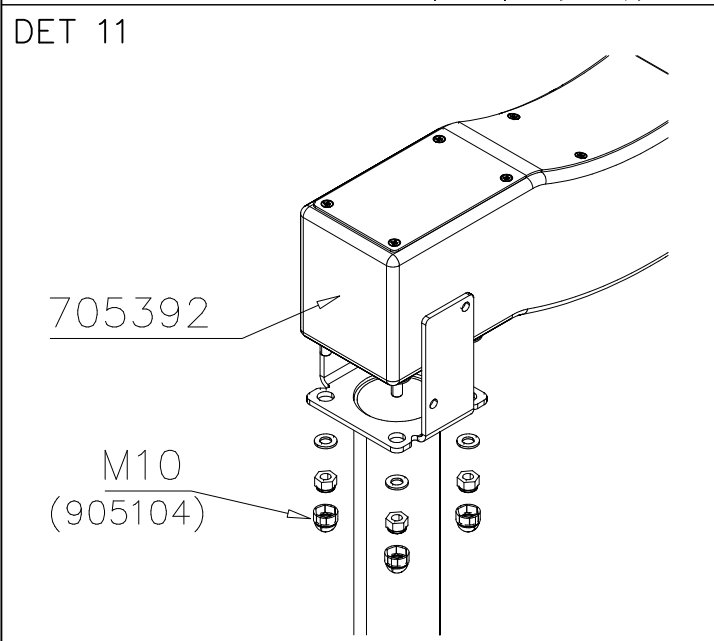
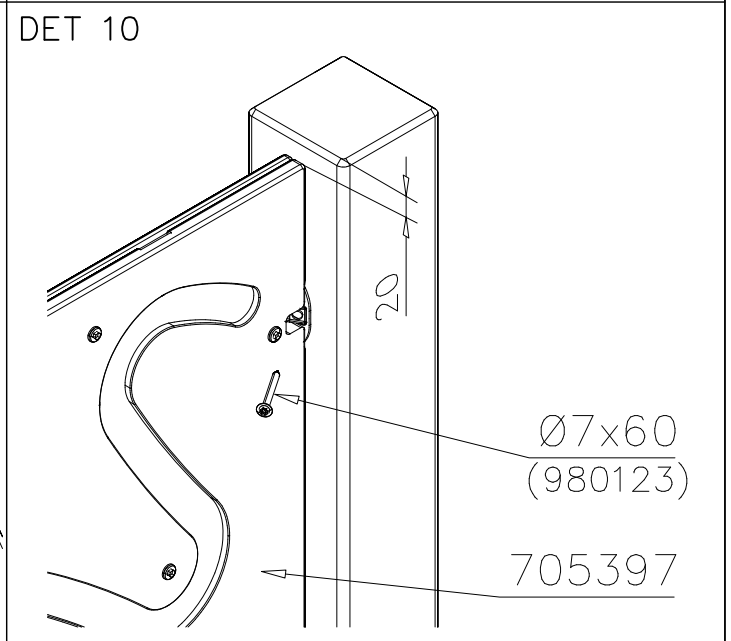
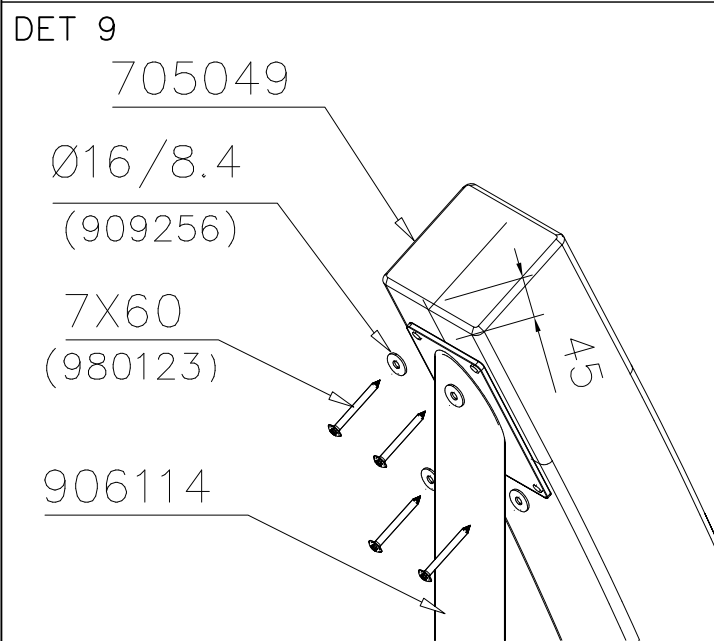
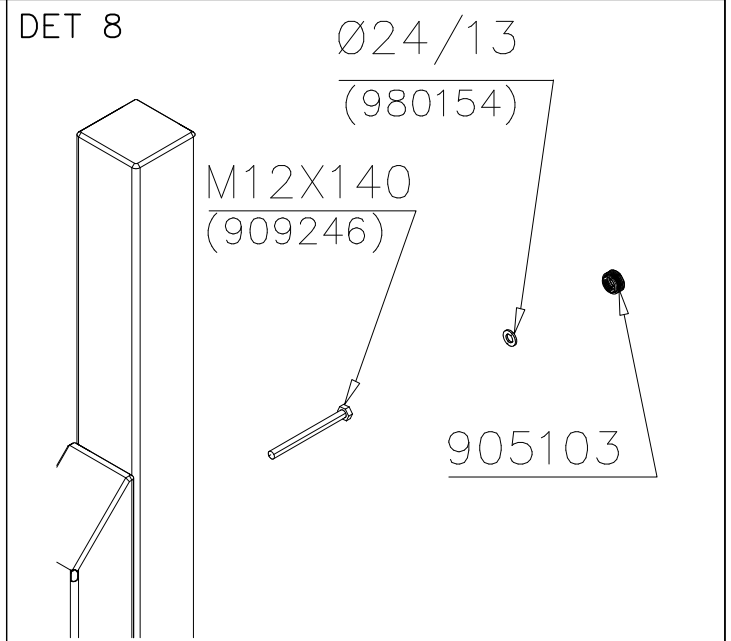
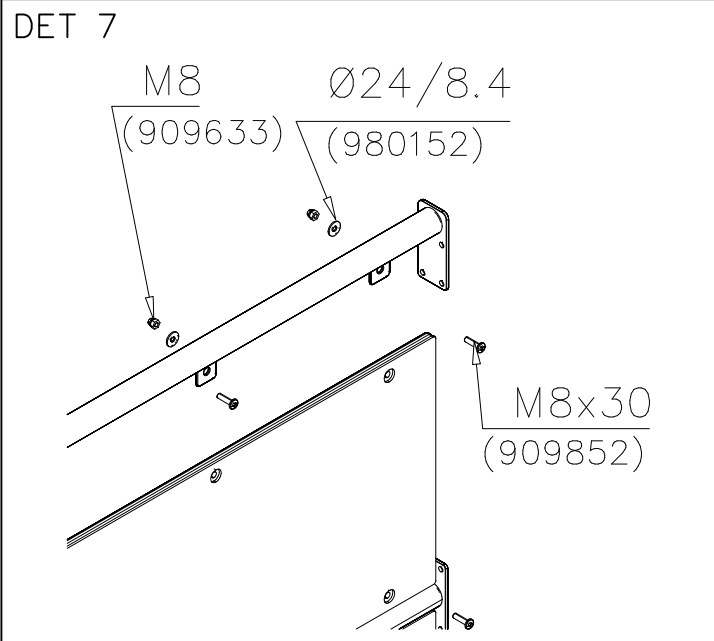
DET 58

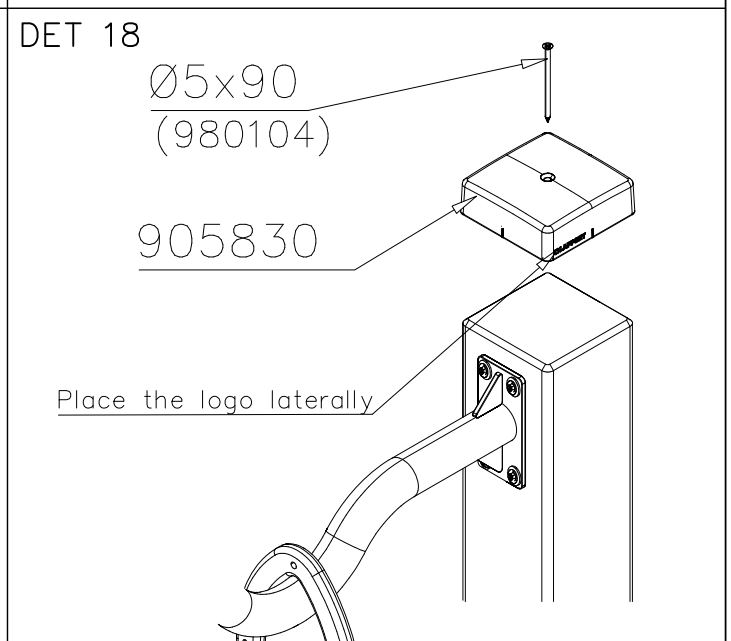
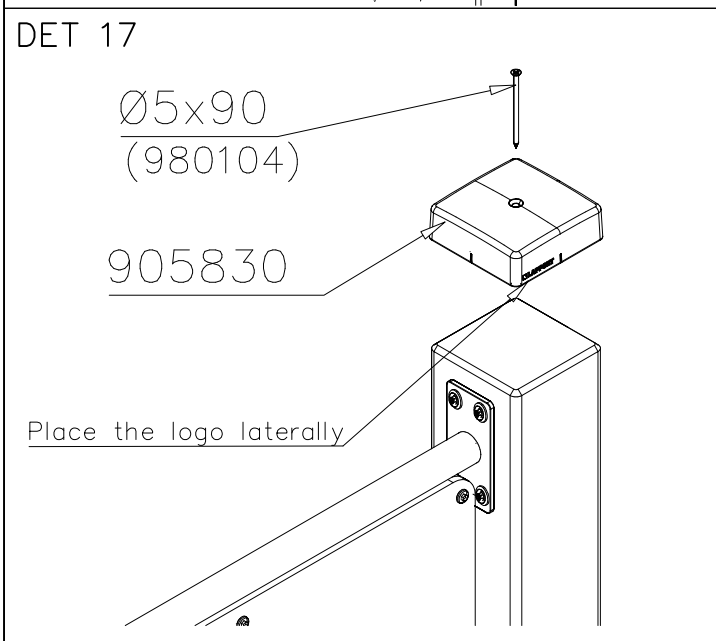
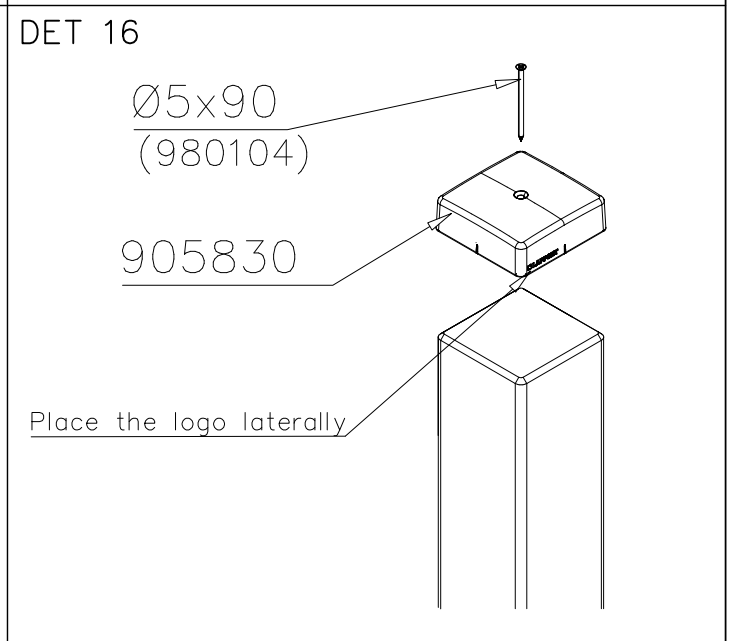
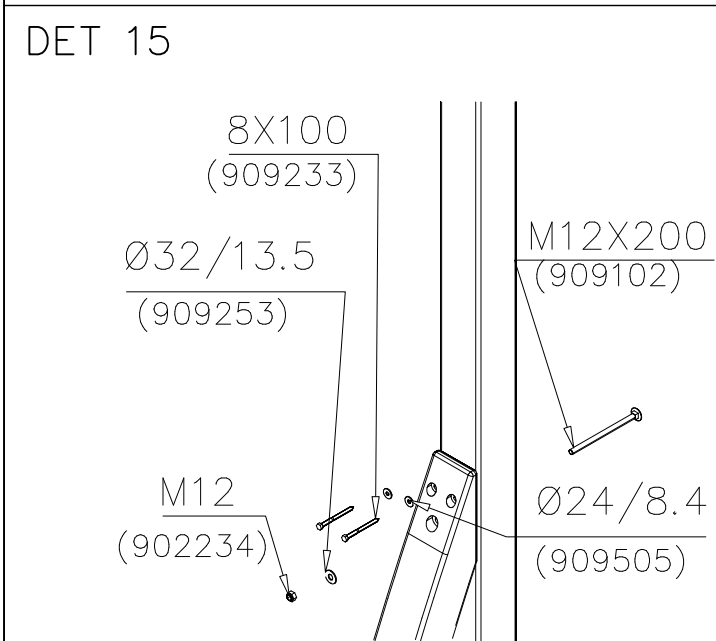
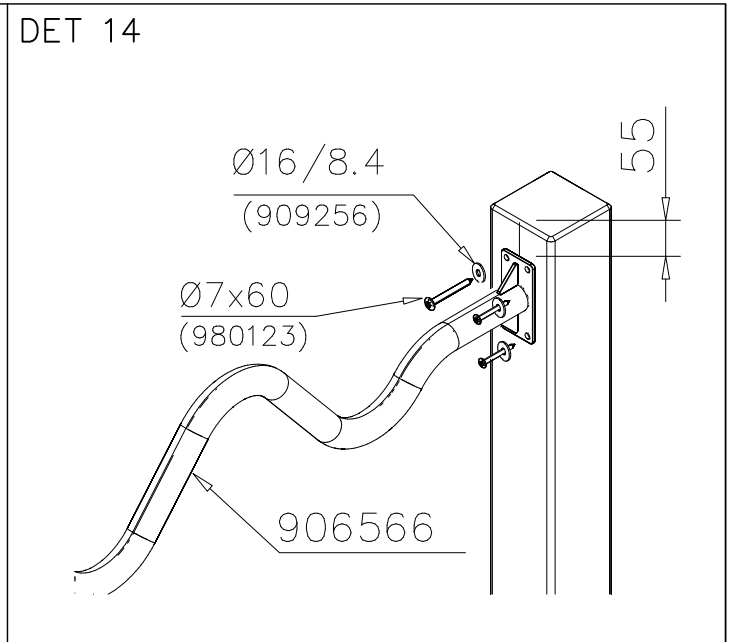
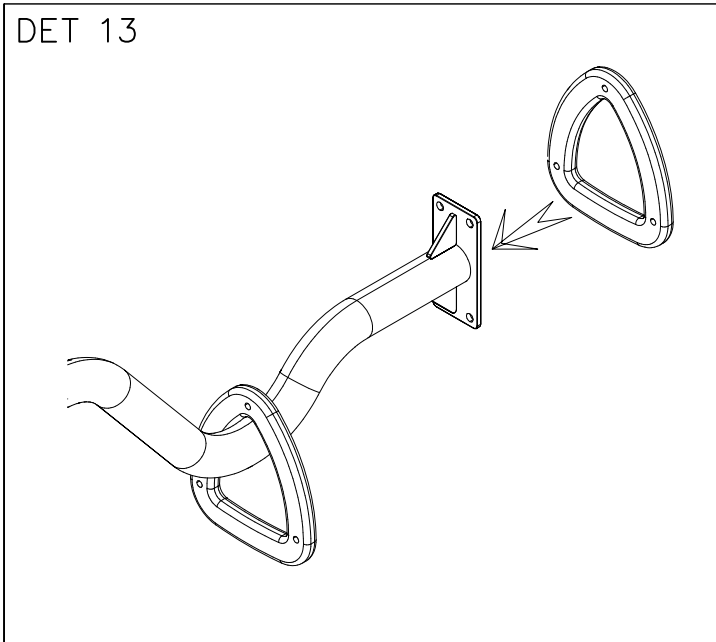


DET 59



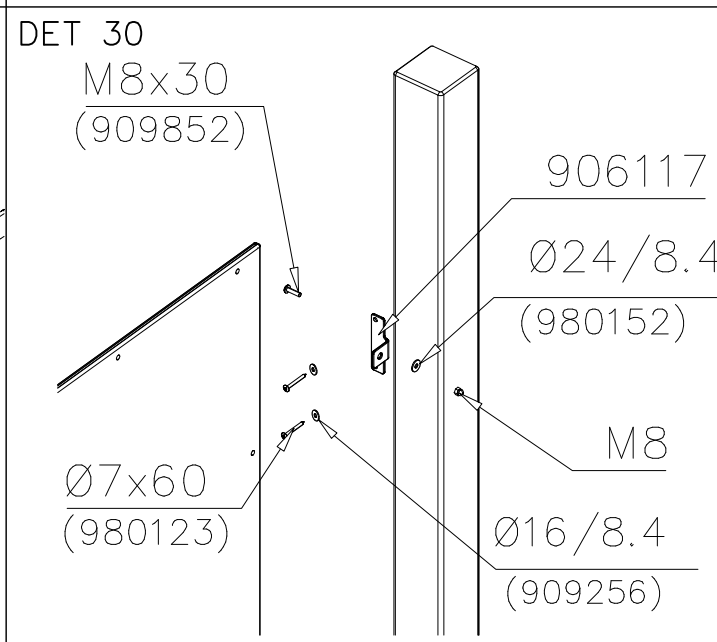
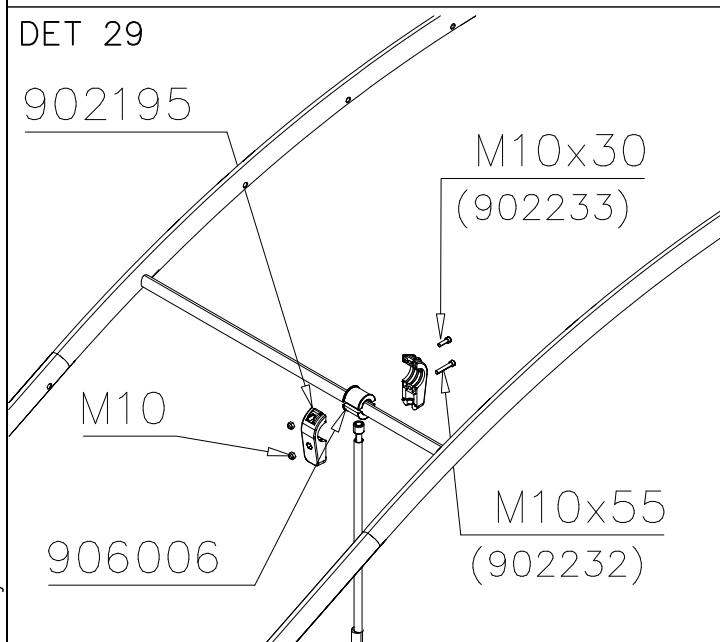
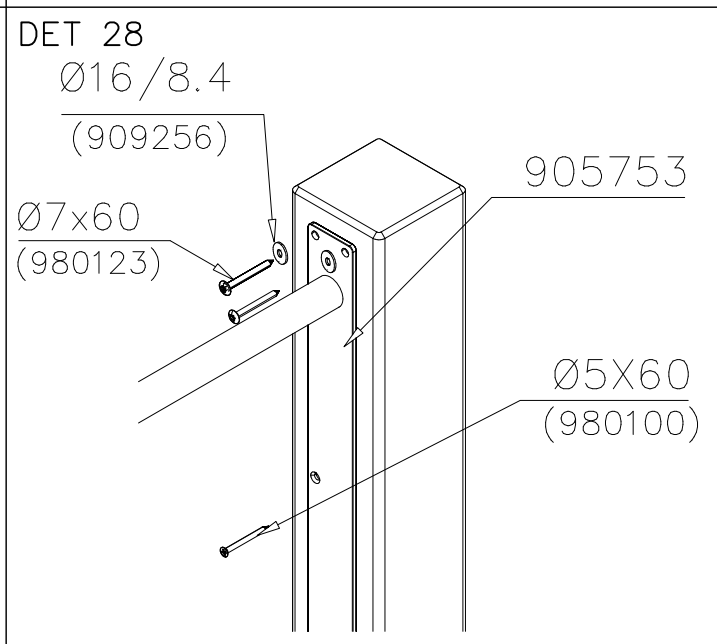
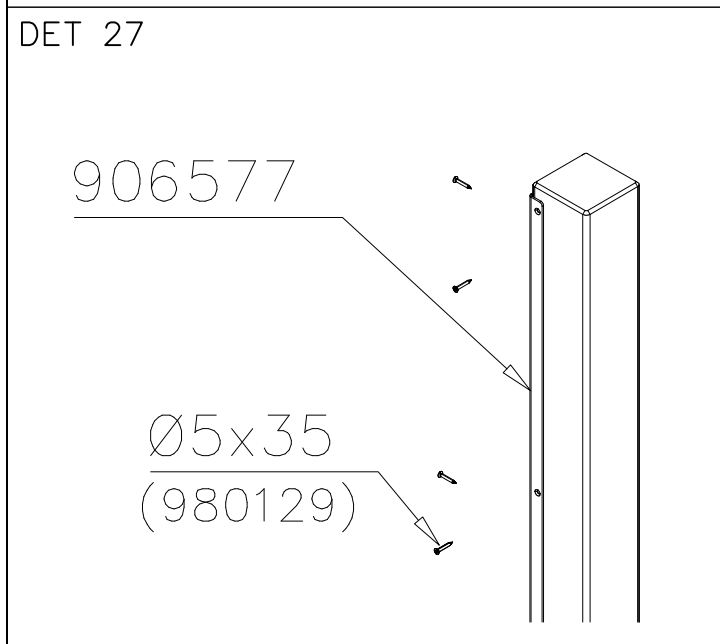
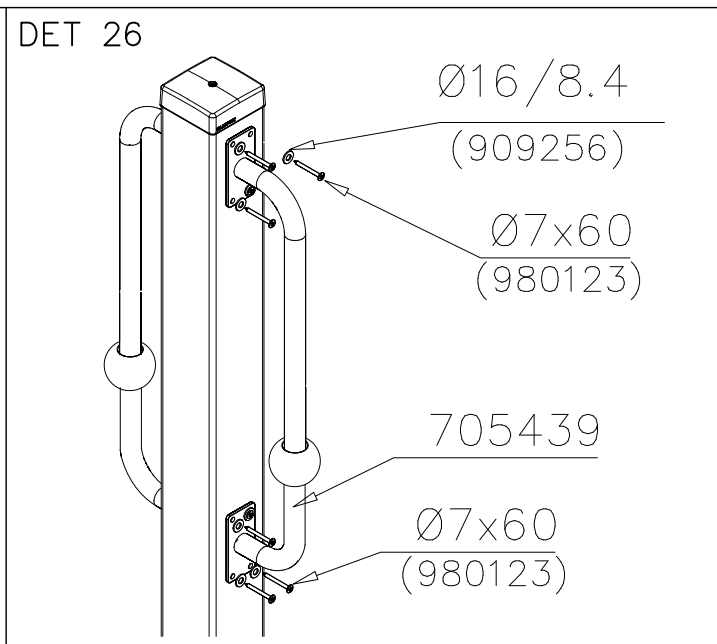
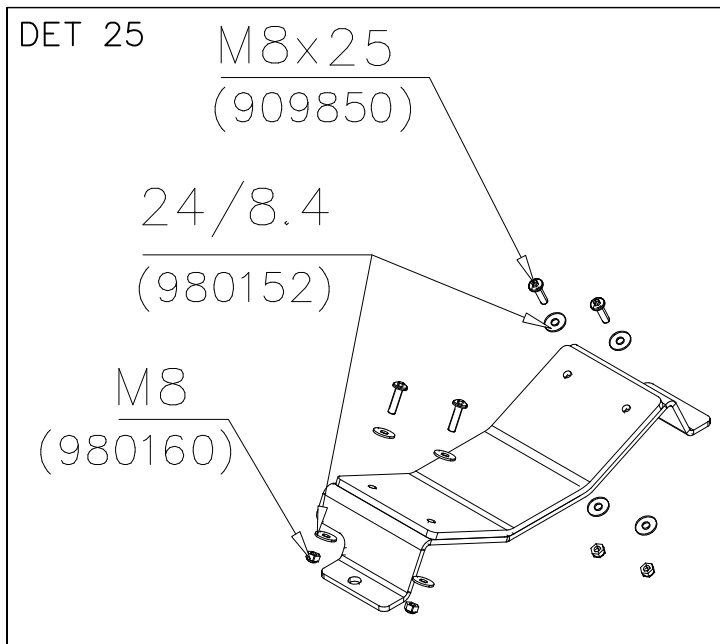




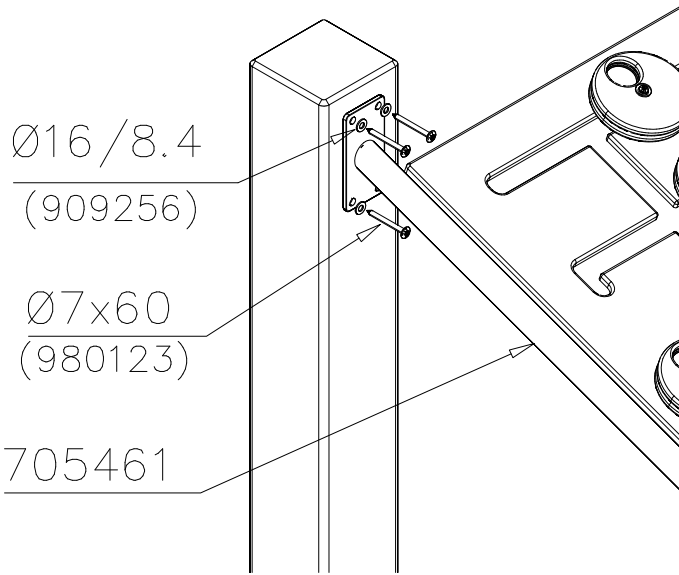




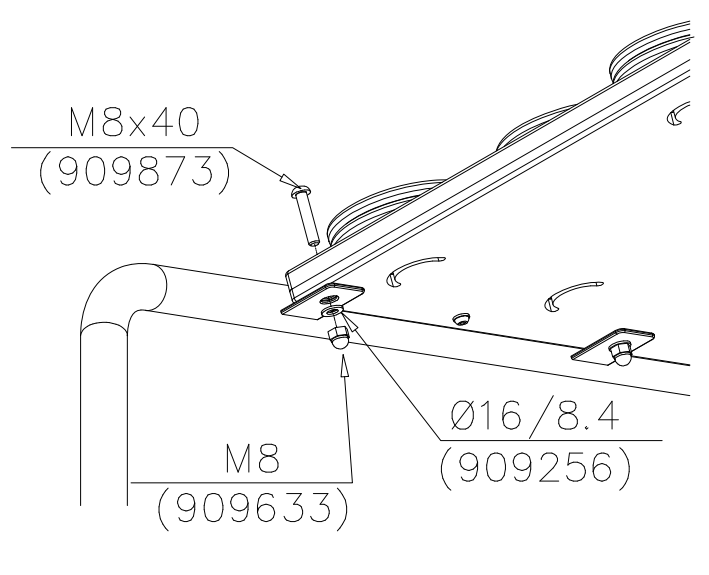
| | |
|---|--|
| <p>DET 19</p> <p>M10x40 (901487)</p> <p>Ø20/10.5x2 (901302)</p> <p>M10 (909637)</p> | <p>DET 20</p> <p>M10x35 (902252)</p> <p>19x21x25 (903193)</p> <p>Ø20/10.5x2 (901302)</p> <p>M10 (909637)</p> |
| <p>DET 21</p> <p>Muoviosan sijoitus (903193) Position of the plastic piece</p> | <p>DET 22</p> <p>705433 705434</p> <p>Ø8x70 (900240)</p> |
| <p>DET 23</p> <p>Ø32 (905083)</p> <p>Ø16/8.4 (980151)</p> <p>Ø22 (905112)</p> <p>M8x75 (909203)</p> <p>M8</p> | <p>DET 24</p> |



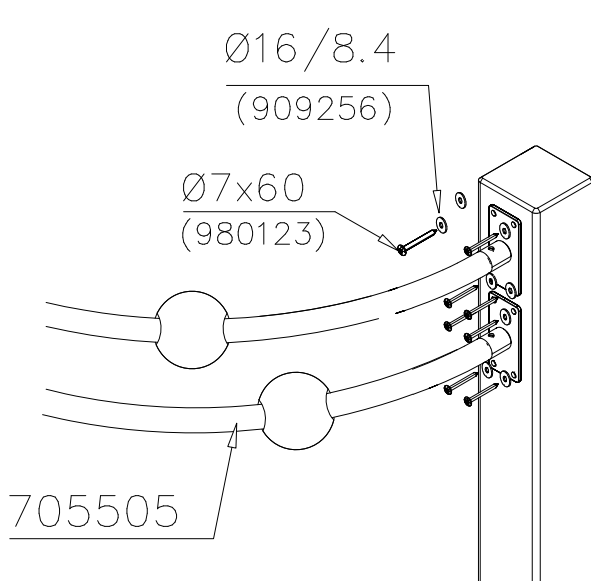
DET 31



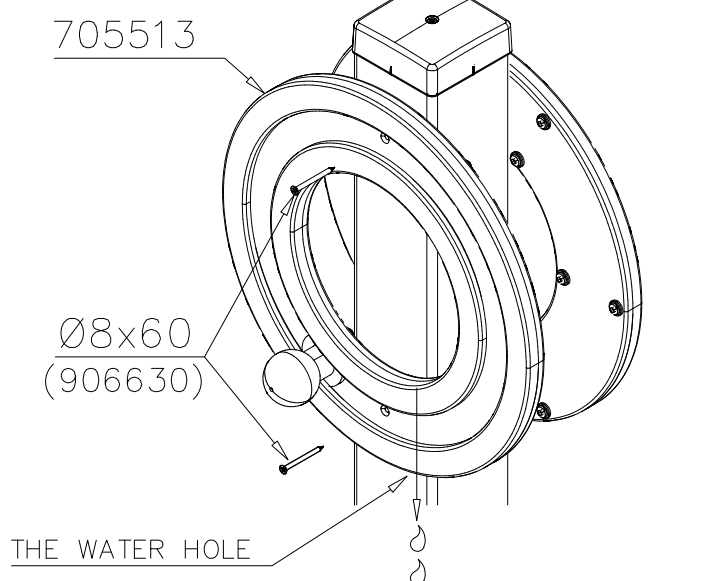
DET 32



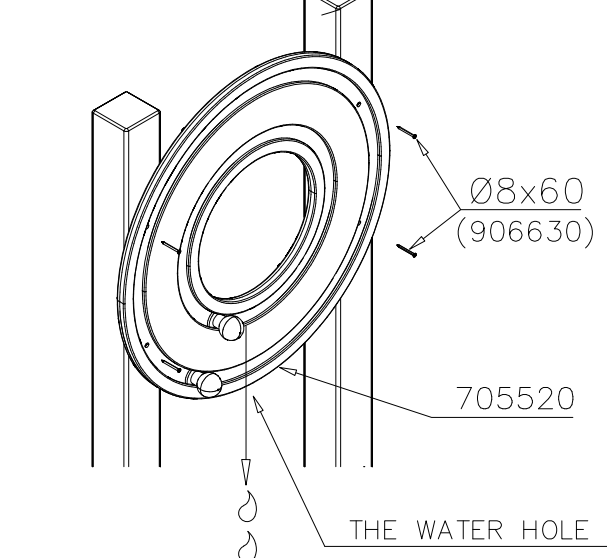
DET 33



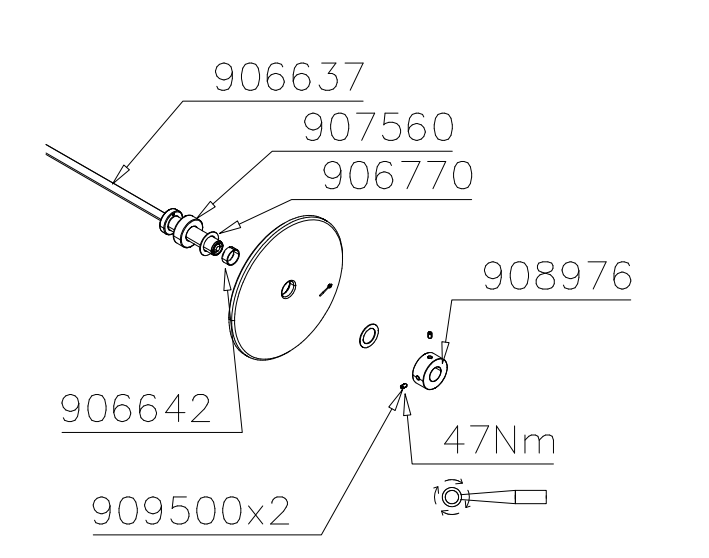
DET 34

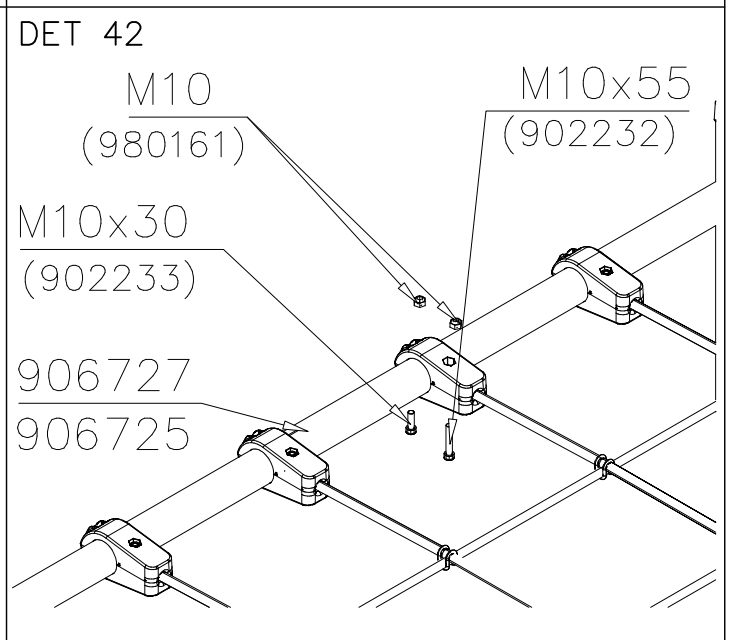
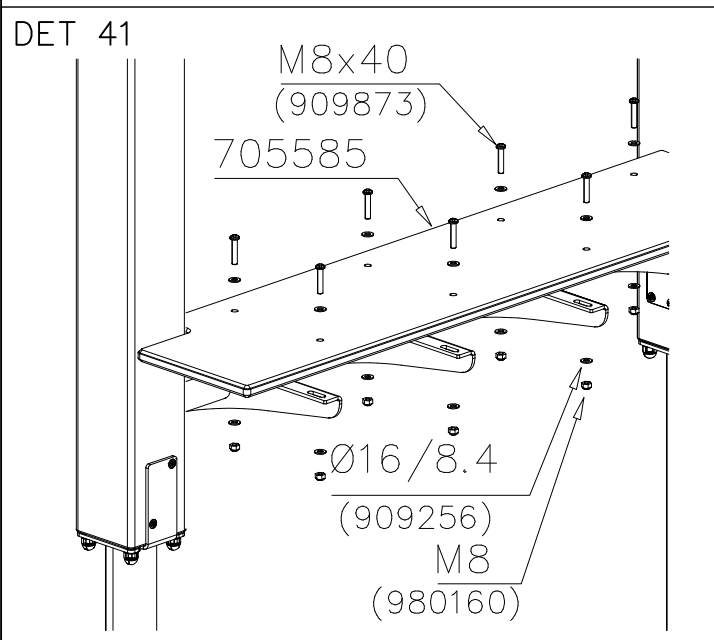
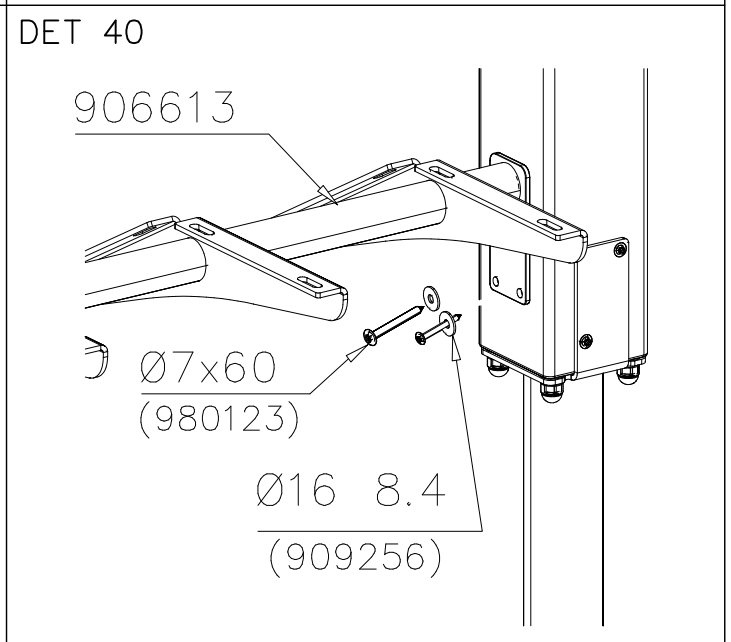
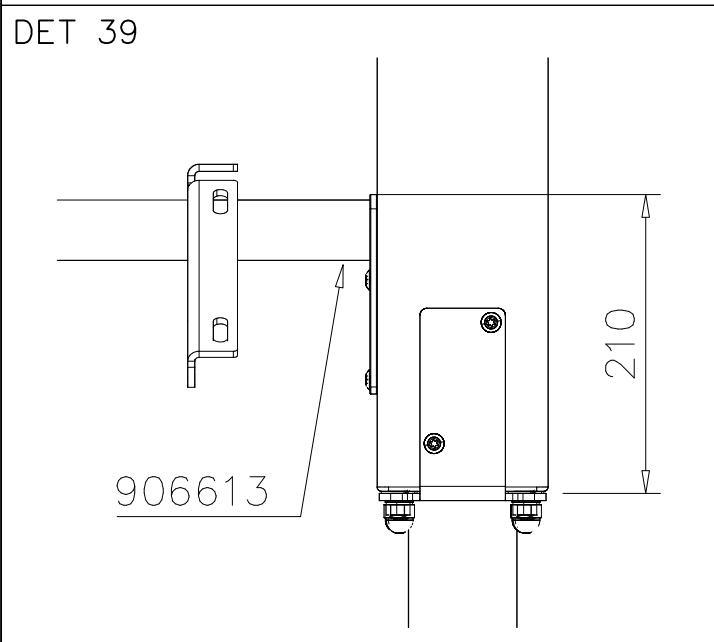
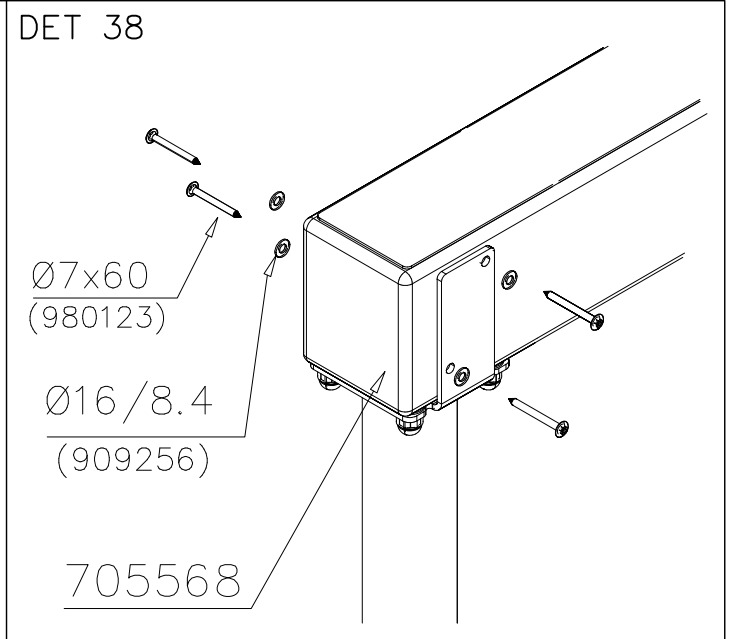
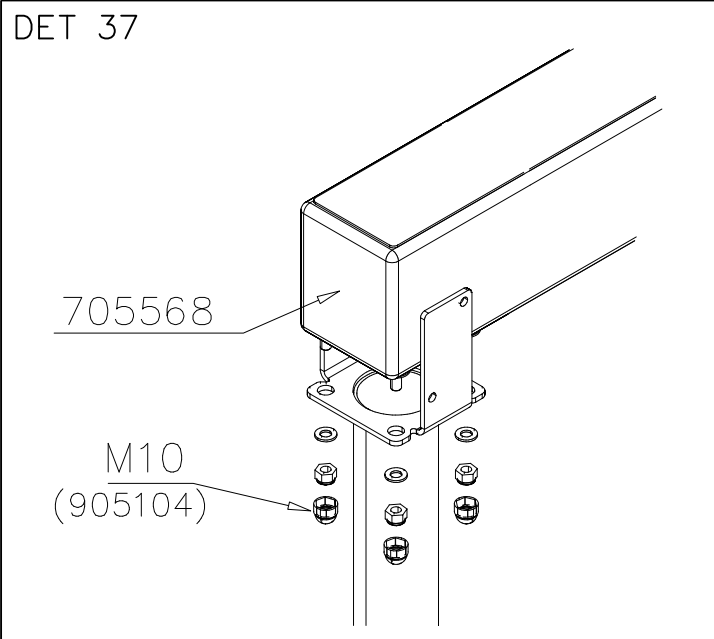


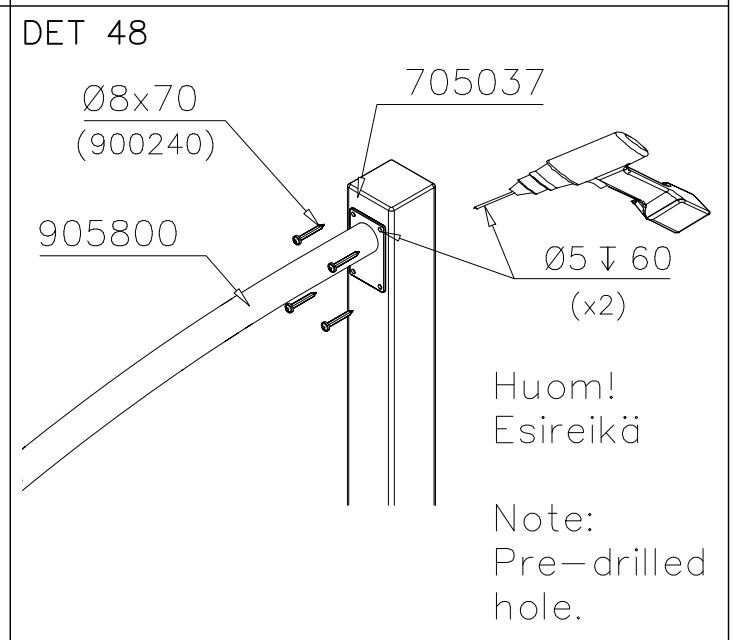
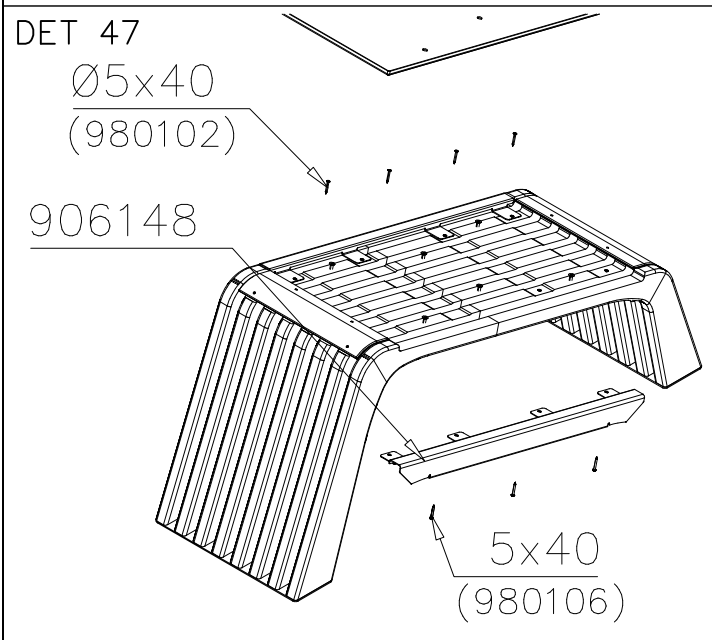
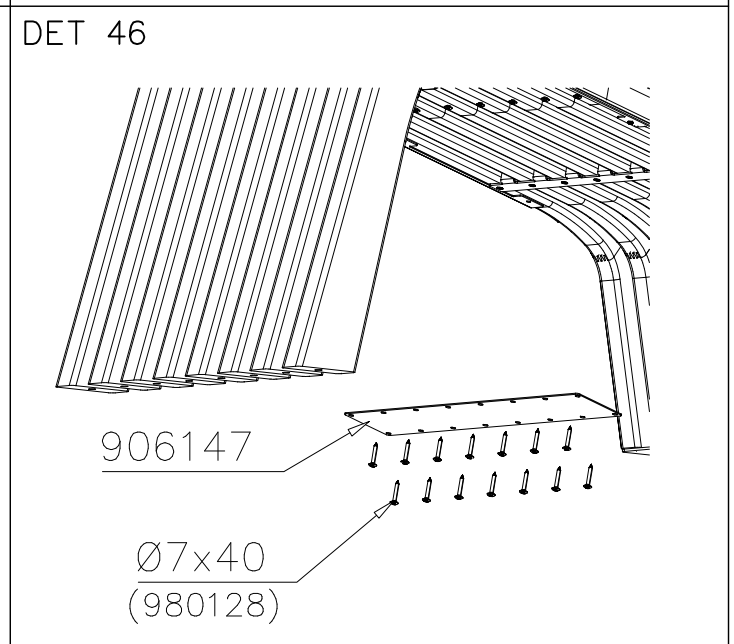
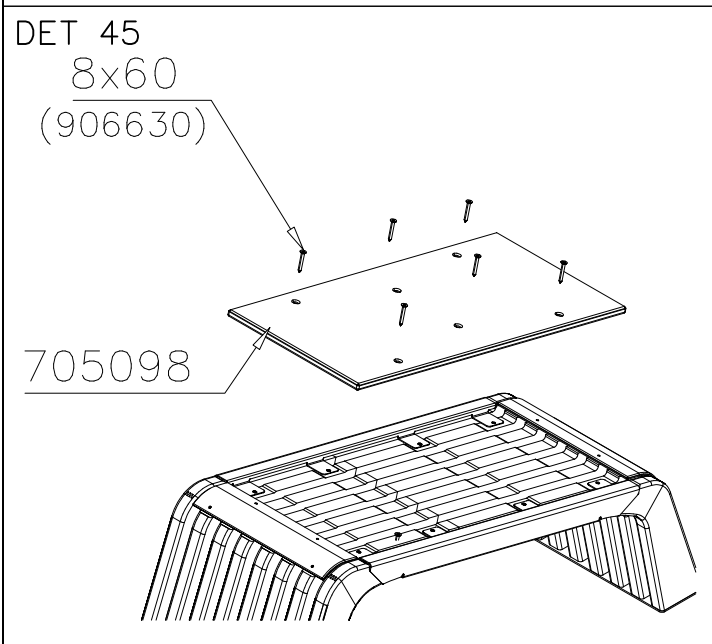
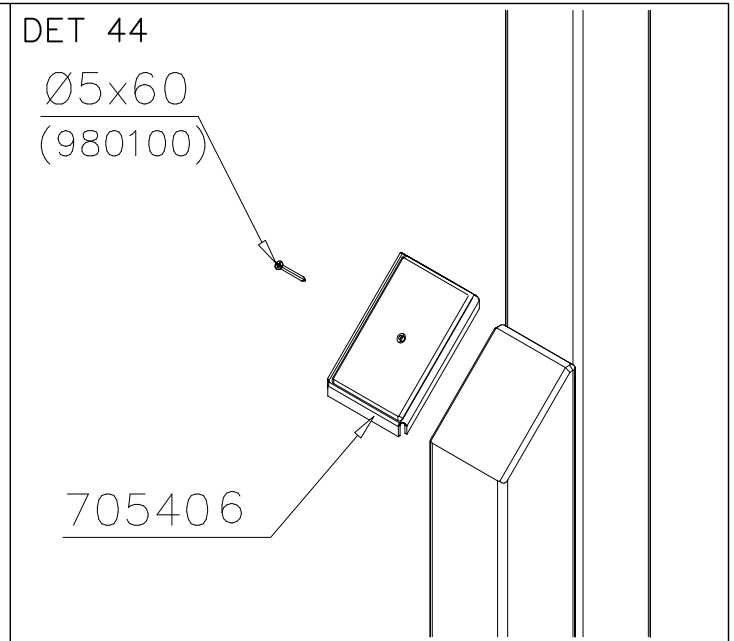
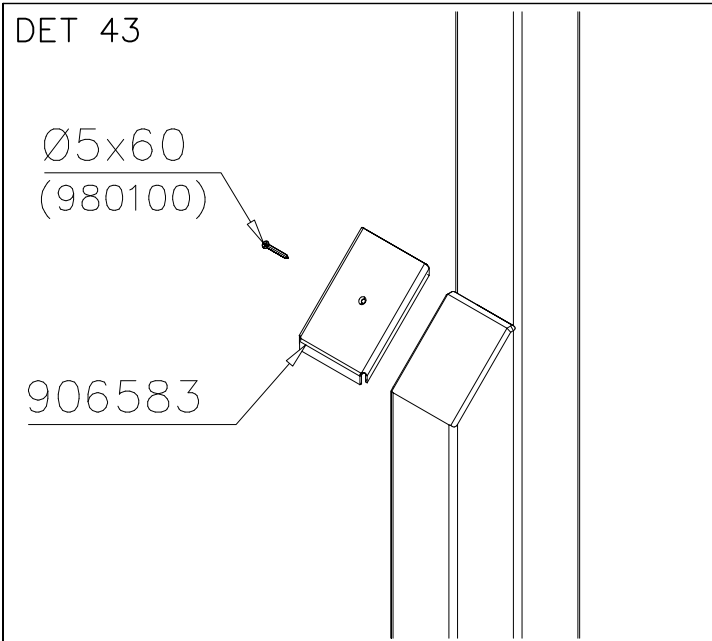
DET 35

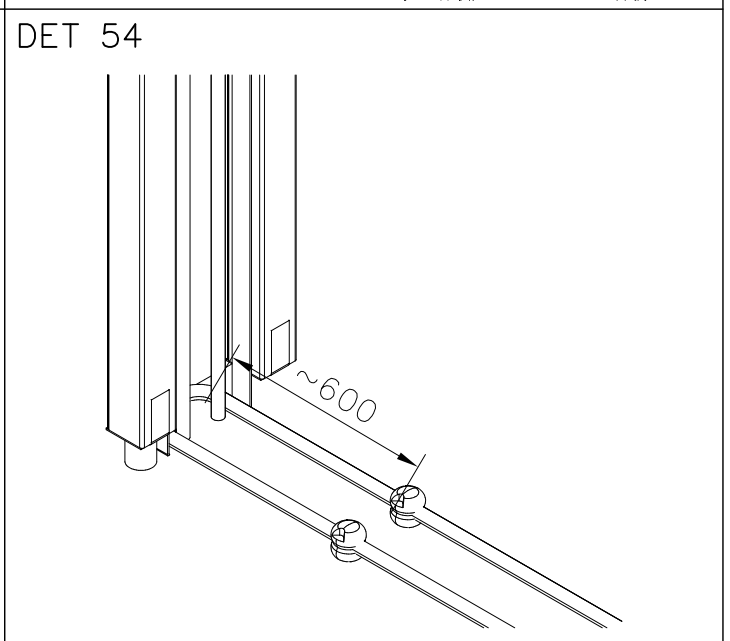
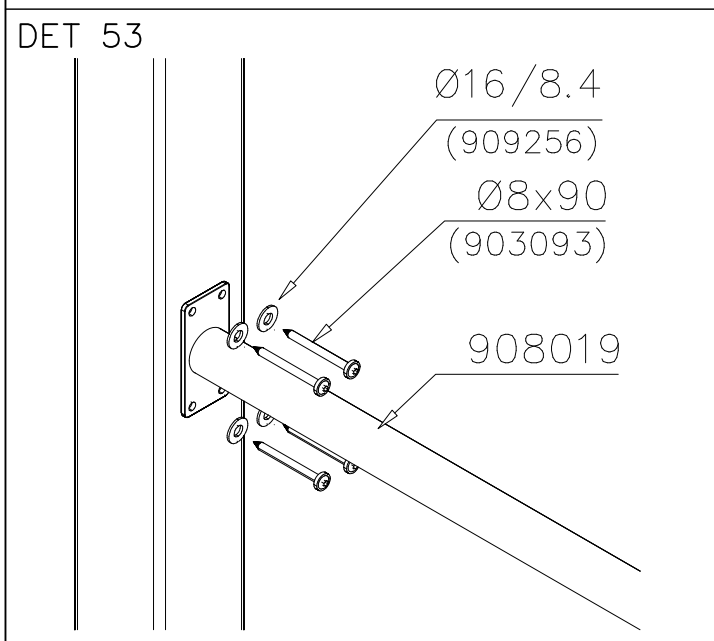
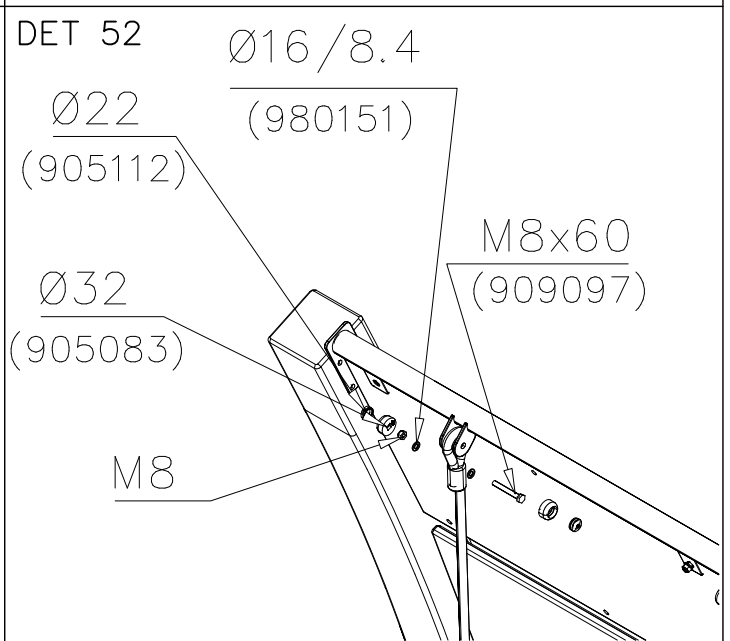
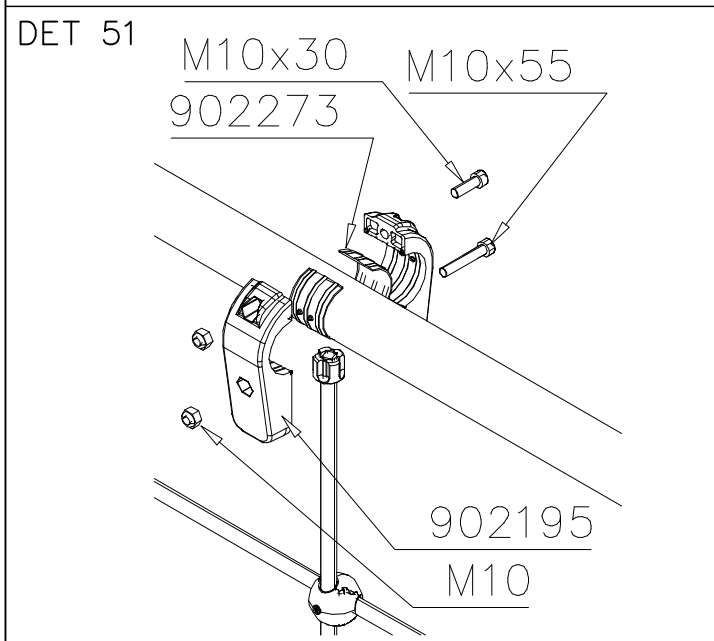
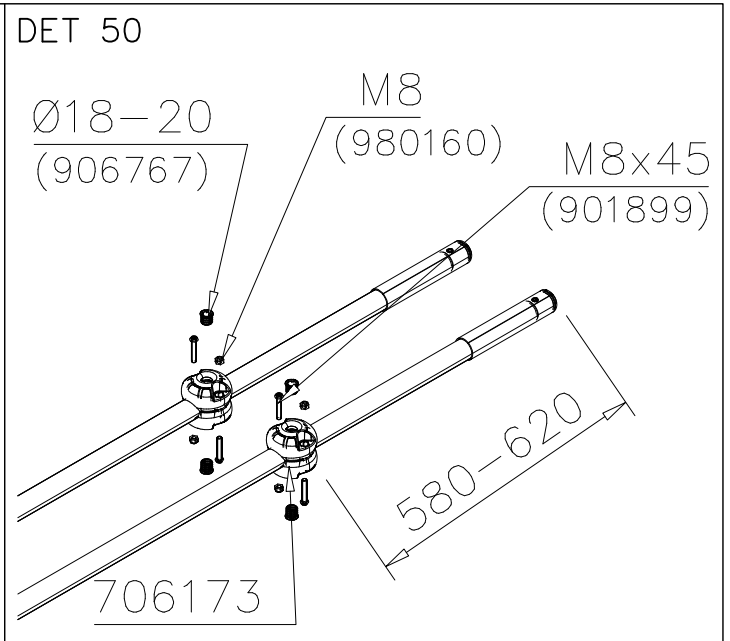
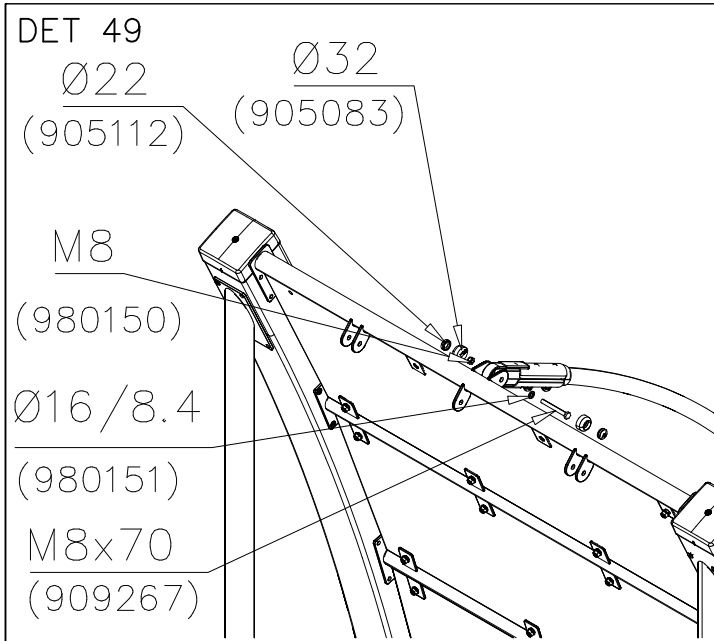


DET 36

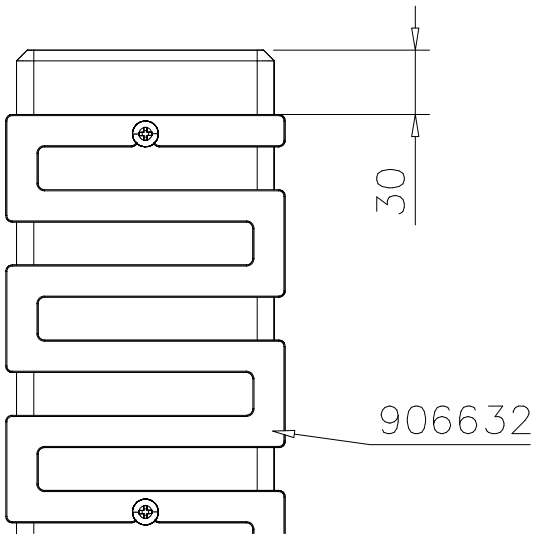




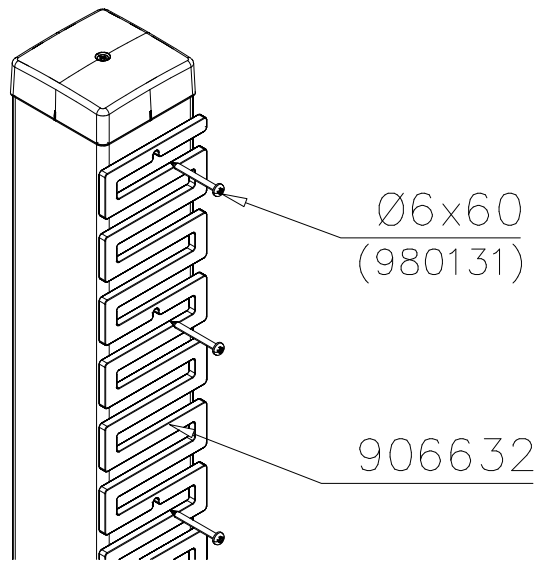




DET 55



DET 56

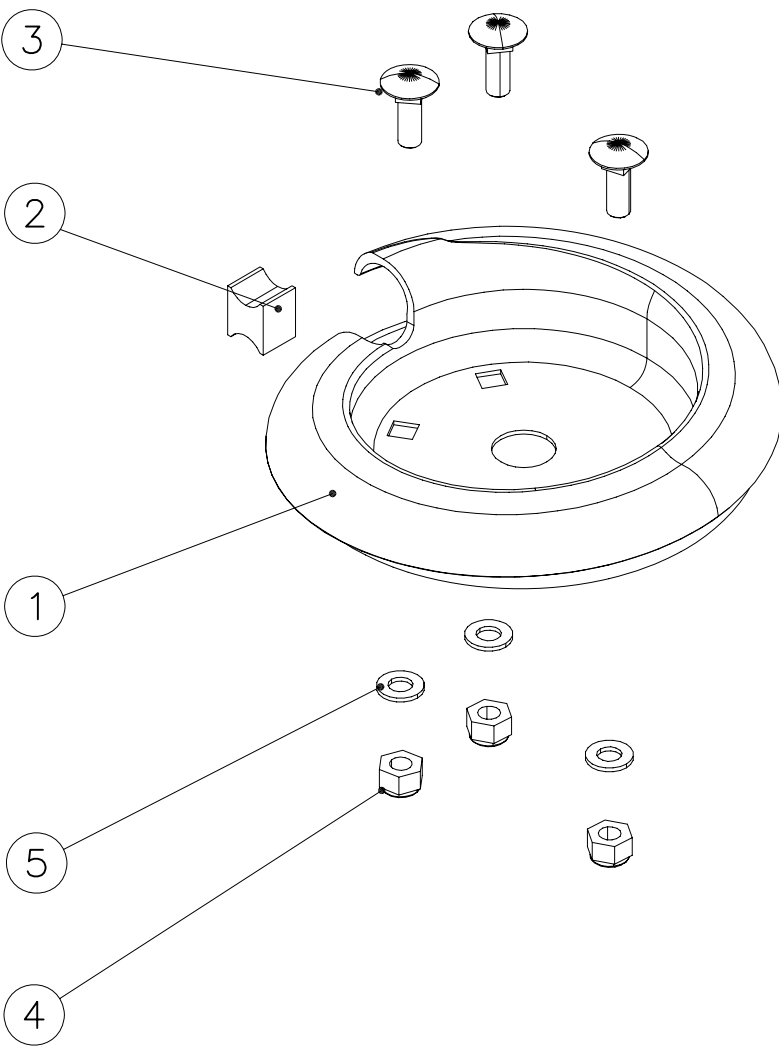
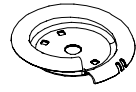
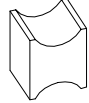
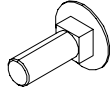

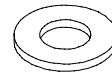


DET 57

DET 58

DET 59

DET 60

| | | | | |
|--|---|-----|---|-----|
|  | ① | PCS | ② | PCS |
| |  | 1 |  | 1 |
| | | | 19x21x25 | |
| | ③ | PCS | ④ | PCS |
| |  | 3 |  | 3 |
| | M10x35 | | M10 | |
| | ⑤ | PCS | | PCS |
| |  | 3 | | |
| | Ø20/10.5 | | | |
| | | PCS | | PCS |
| | PCS | | PCS | |
| | PCS | | PCS | |
| | PCS | | PCS | |
| | PCS | | PCS | |

Jousen ja kiinnityslevyn kiinnittäminen Fixing the spring and gable plate

Aseta jousen kiinnityslevy jousen kierteiden väliin.
Place the spring berch between the bottom coils



Kierrä kiinnityslevyä kohti kiinnitysalustaa.
Turn the spring berch towards the anchor



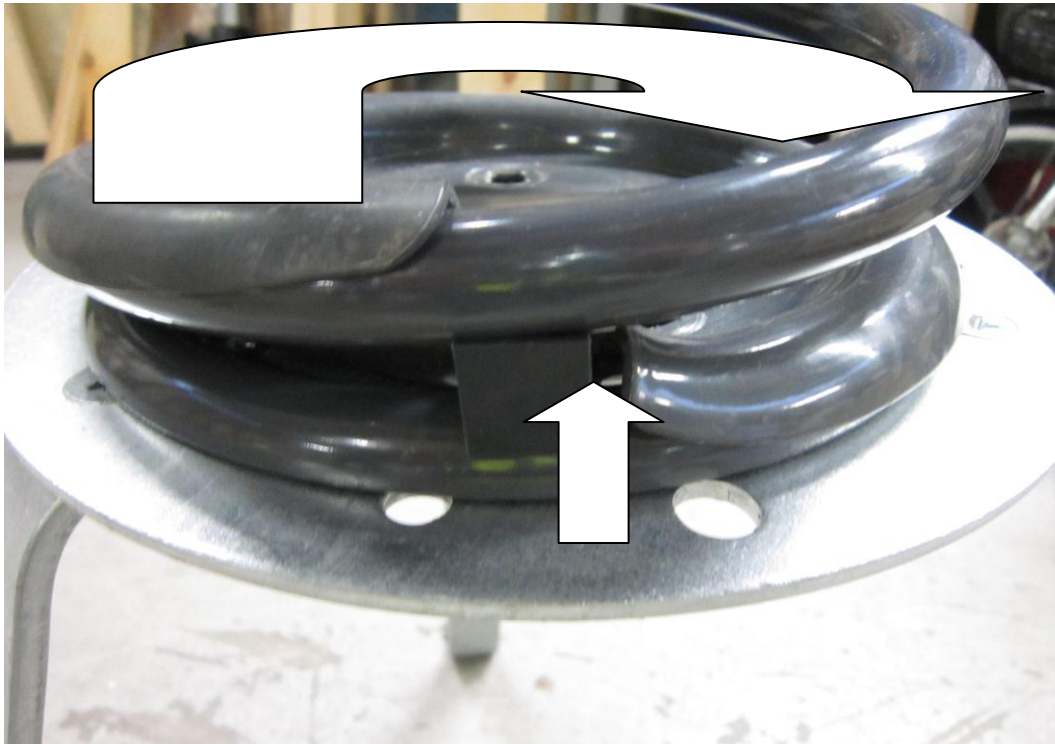
Aseta muovipala kiinnityslevyn kierteen aloitus- ja lopetus osan väliin kuvan osoittamalla tavalla.

Place the plastic piece between coils as shown below



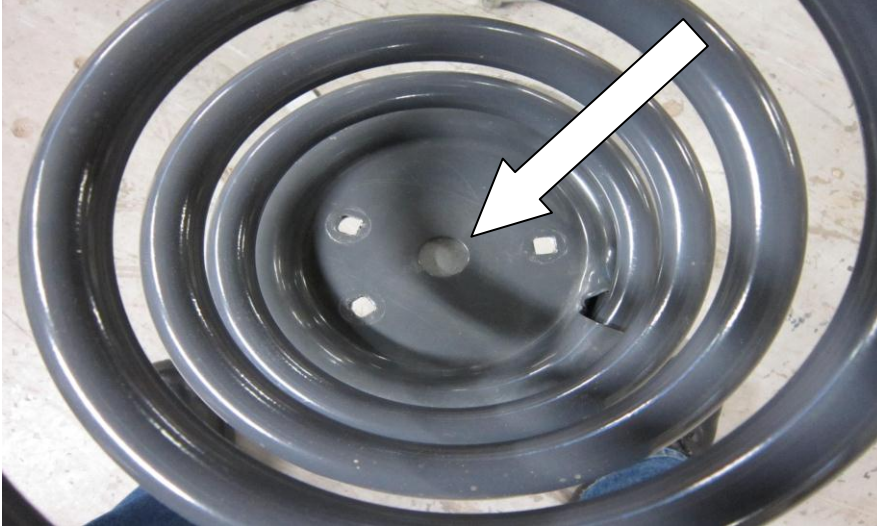
Kierrä kiinnitys levyä myötäpäivää, kunnes muovipala koskettaa jousen kierrettä.

Turn the spring berch clockwise until the plastic piece is in contact to coils below and underneath.



Kohdista kiinnityslevyn pulttien reiät ja perustuksen kiinnitysreiät kohdalleen. 5mm – 10mm rako ennen kiristystä.

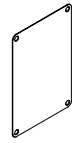

Center the fixing holes of anchor and spring berch. There should be 5-10 mm gap between the parts prior to tightening.

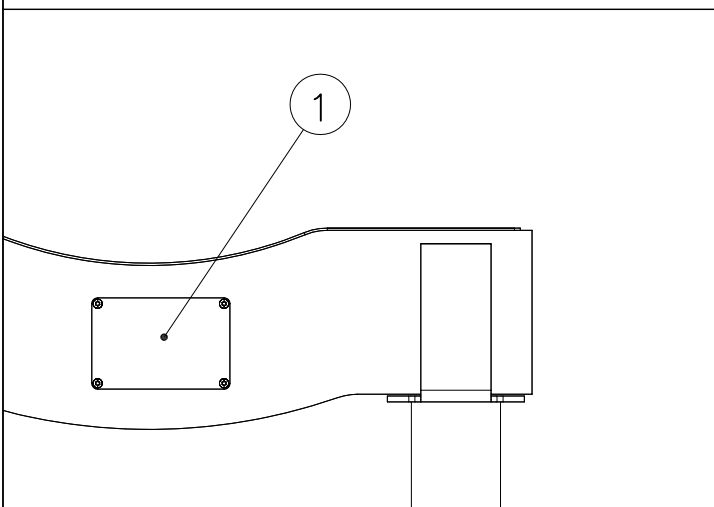
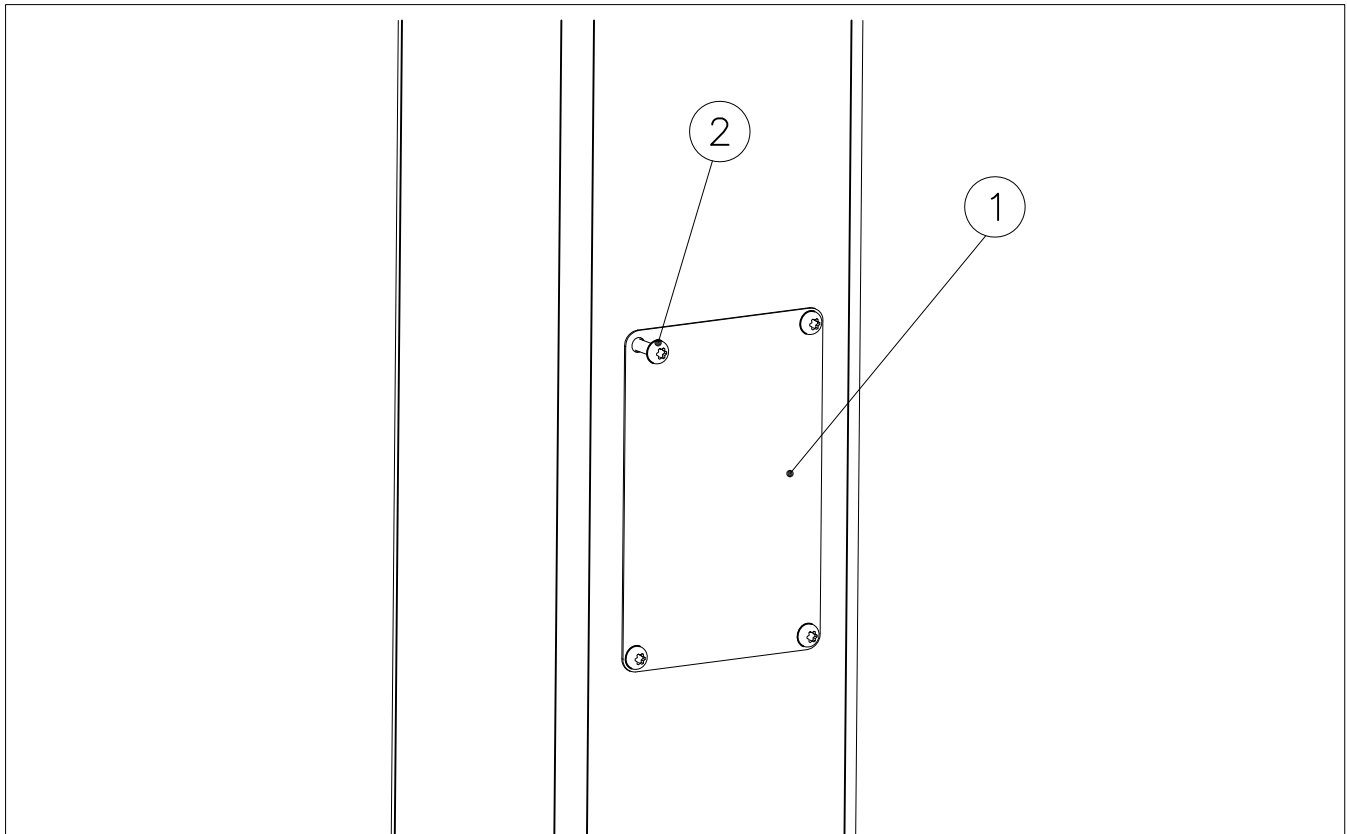


Kiristä huolellisesti pultit vuorotellen kiristäen. Kiristuksen jälkeen osien välillä saa olla korkeintaan 1mm rako keskireiästä katsoen.

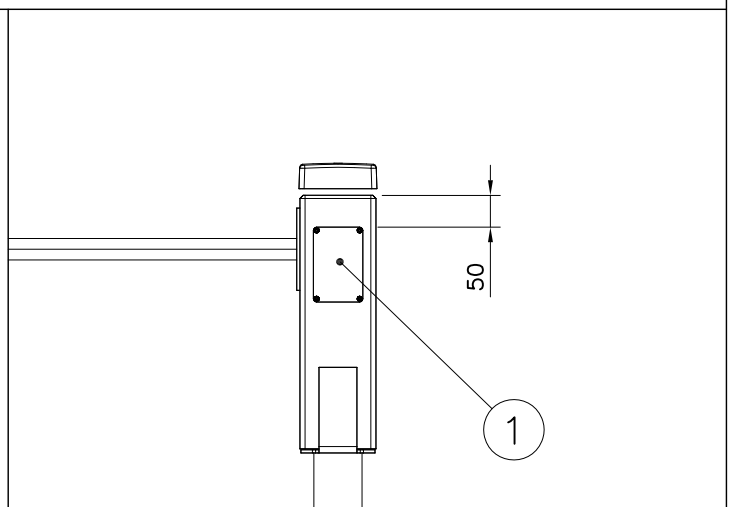
Tighten the bolts gradually, about 1 turn at the time. After the tightening, there must not be more than 1mm gap between the parts



| | | | |
|---|-----|---|-----|
| ① SHEET METAL | PCS | ② 980114 | PCS |
|  | 1 |  | 4 |
| 118x78x0.7 | | Ø4x20 | |

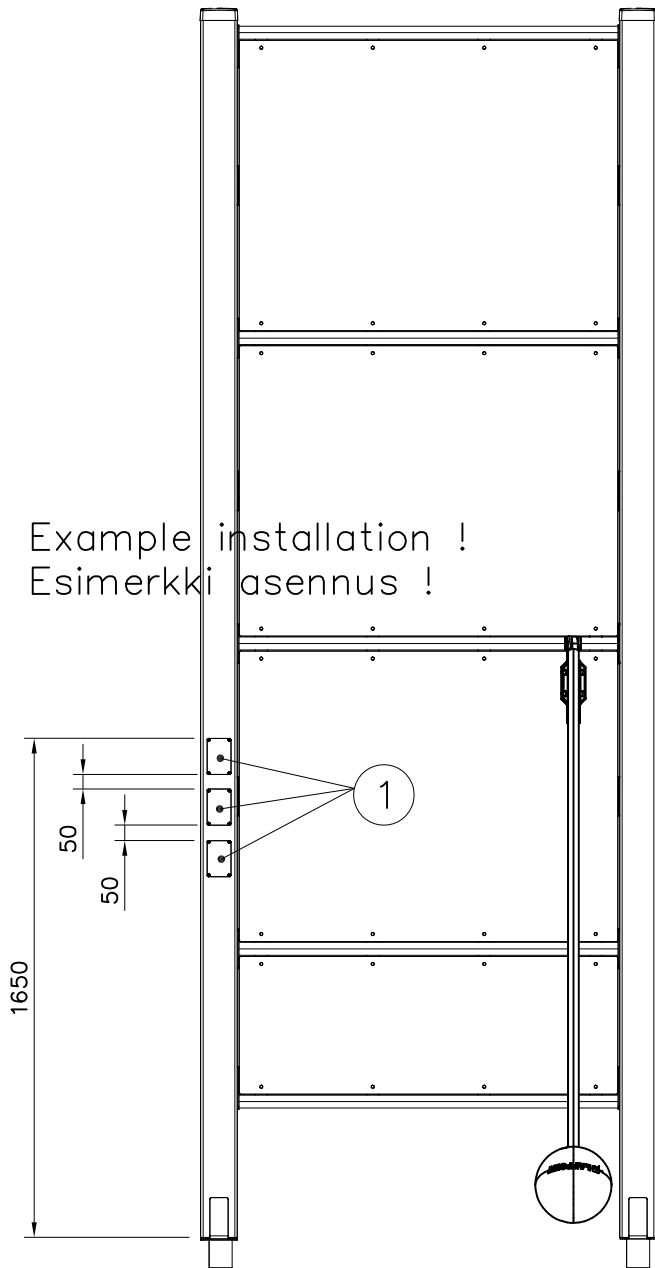


Example installation !
Esimerkki asennus !

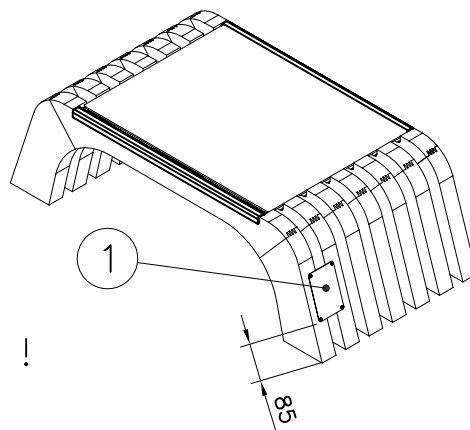
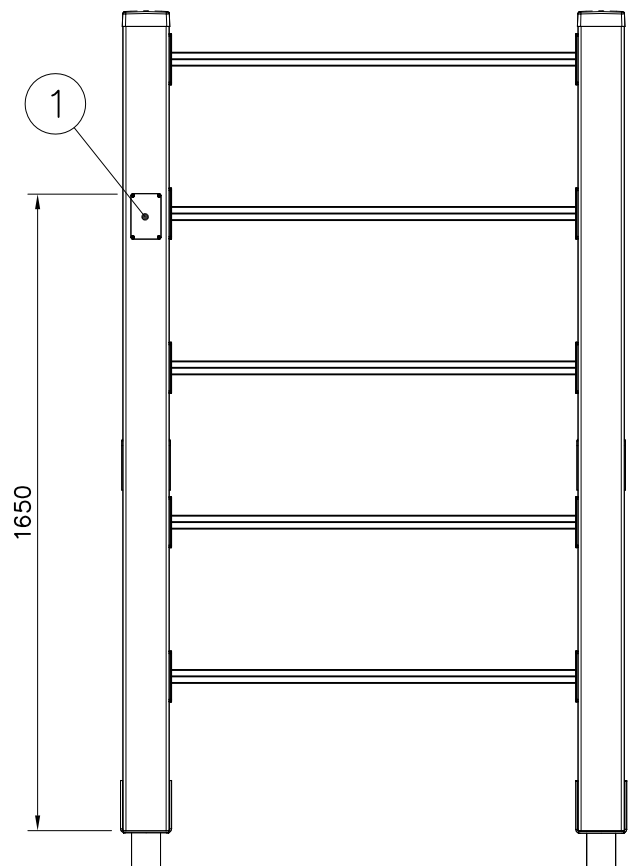


Example installation !
Esimerkki asennus !

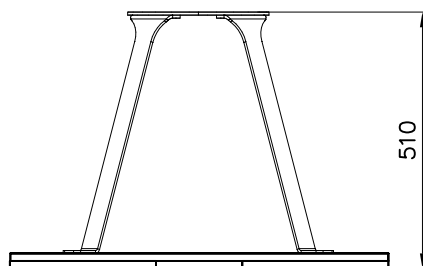
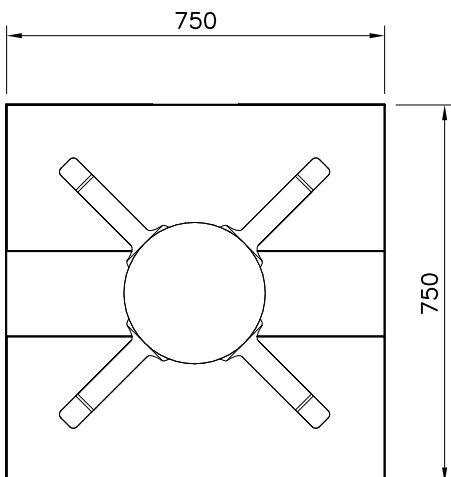
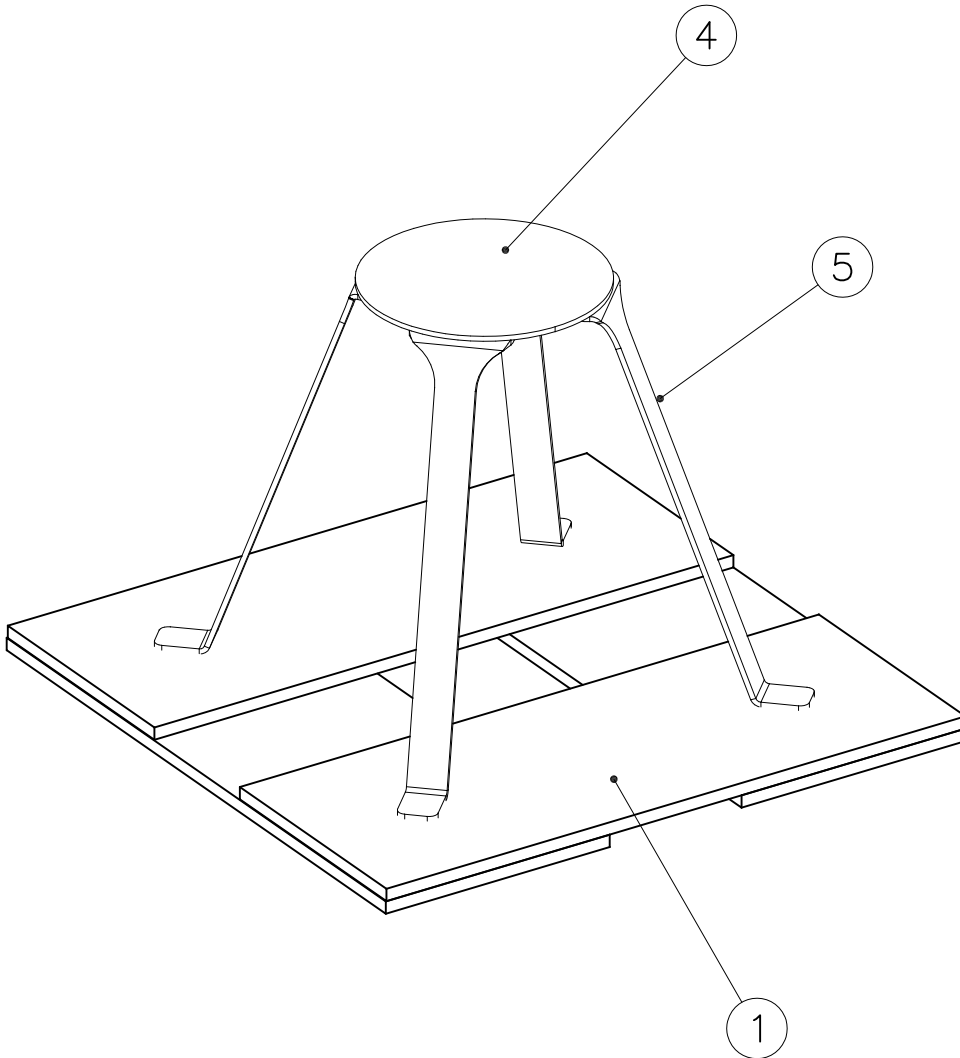
Example installation !
Esimerkki asennus !

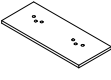

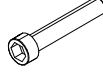
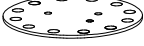


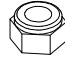


Example installation !
Esimerkki asennus !



Example installation !
Esimerkki asennus !



| | | | |
|---|-----|---|-----|
| ① 707138 | PCS | ② 900958 | PCS |
|  | 4 |  | 8 |
| 260x595 | | M10x30 | |
| ③ 902232 | PCS | ④ 905993 | PCS |
|  | 4 |  | 1 |
| M10x55 | | | |
| ⑤ 906000 | PCS | ⑥ 909255 | PCS |
|  | 4 |  | 8 |
| | | Ø30/10.5 | |
| ⑦ 980161 | PCS | | PCS |
|  | 12 | | |
| M10 | | | |
| | PCS | | PCS |
| | | | |
| | PCS | | PCS |
| | | | |
| | PCS | | PCS |
| | | | |
| | PCS | | PCS |
| | | | |

