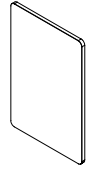
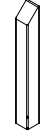

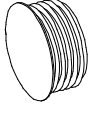
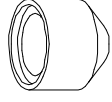

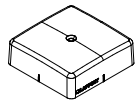
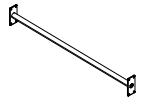
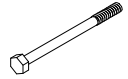



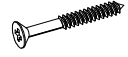


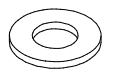
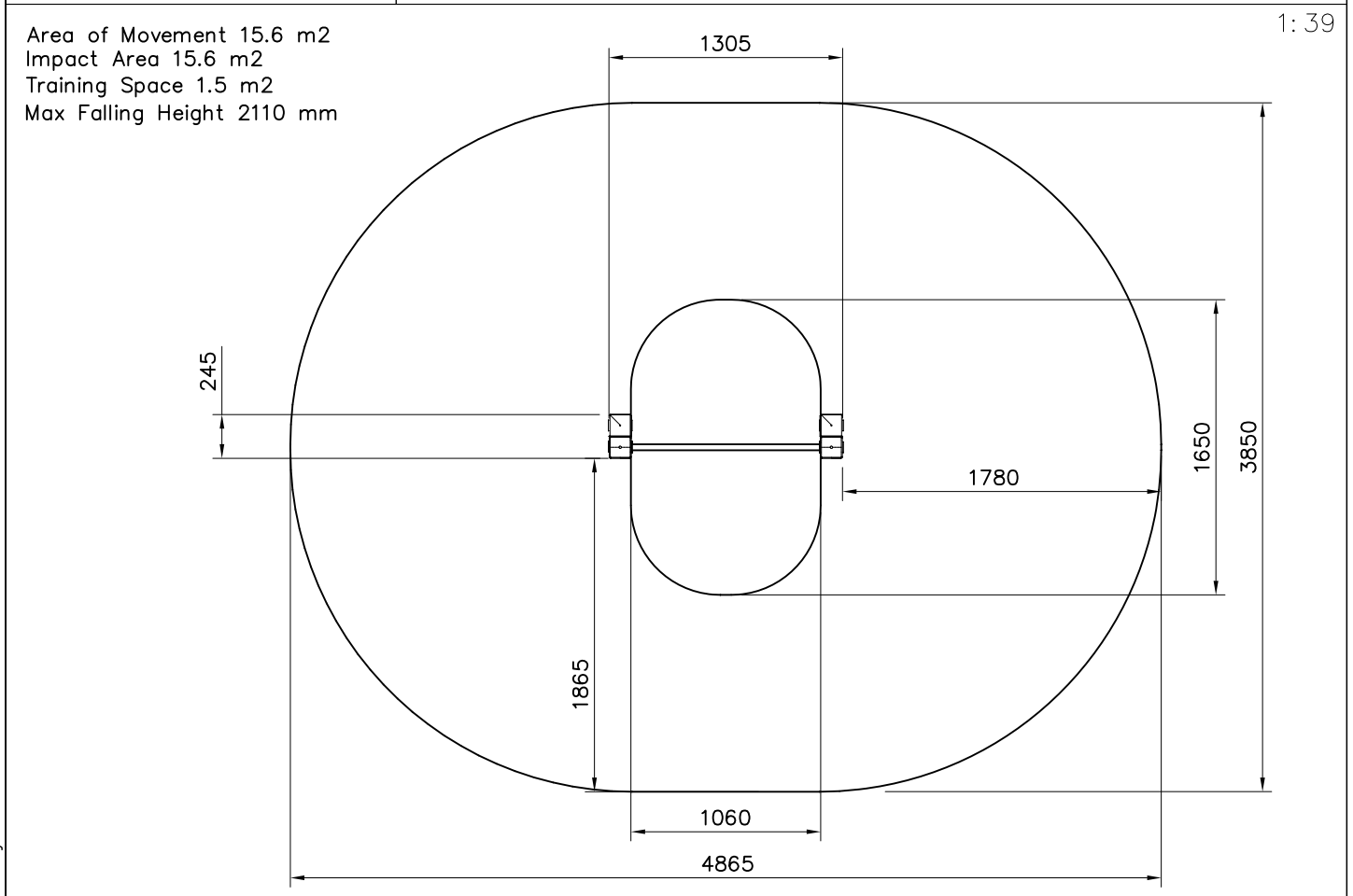
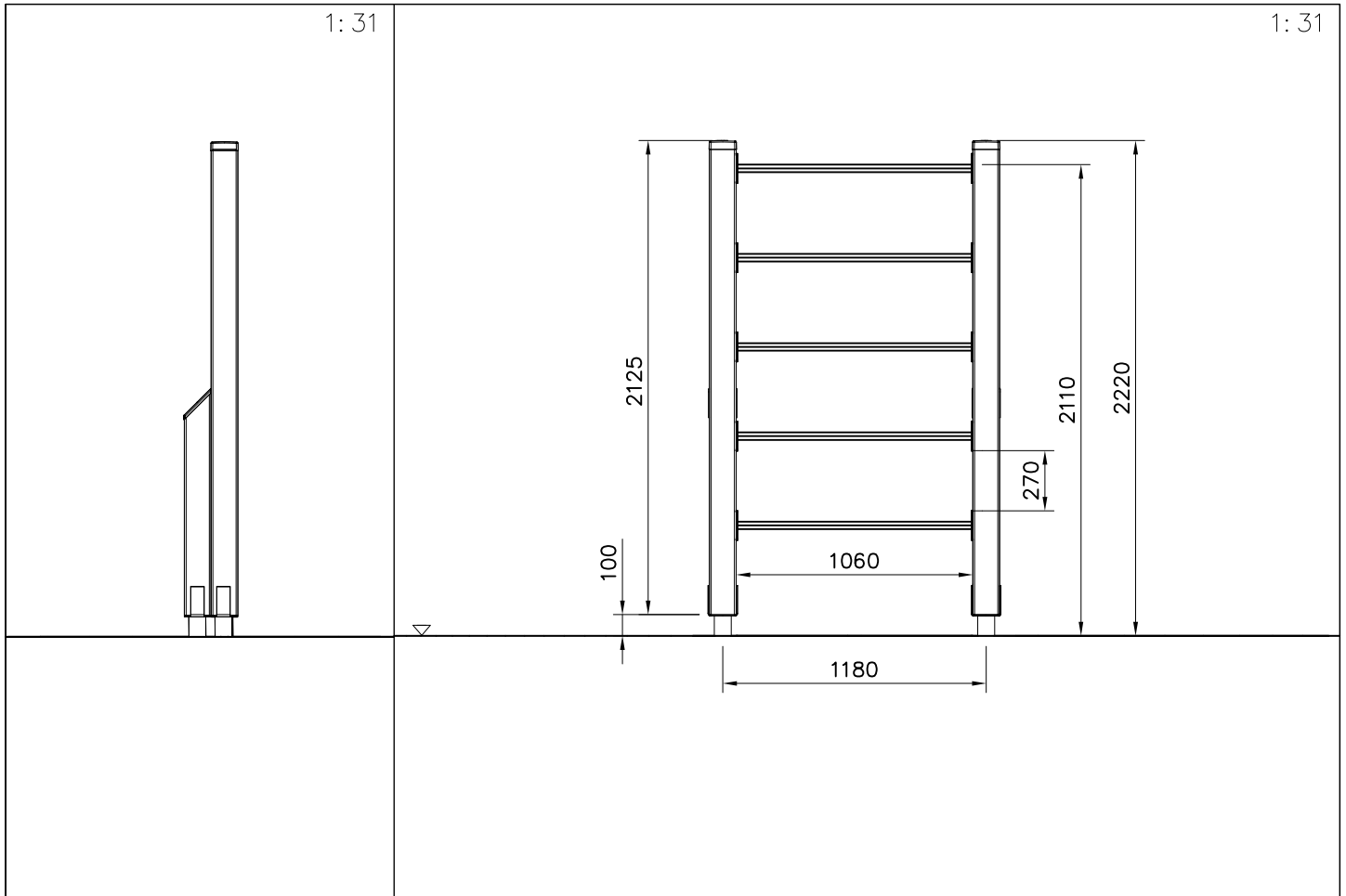
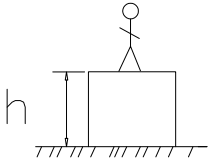



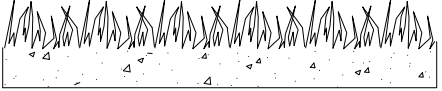
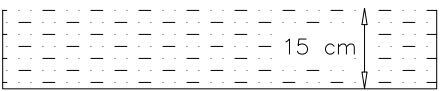
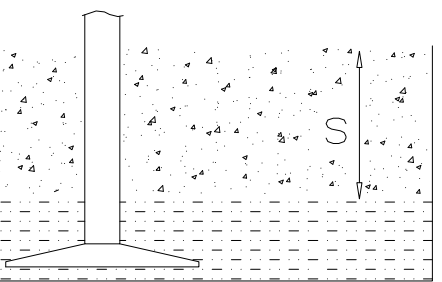
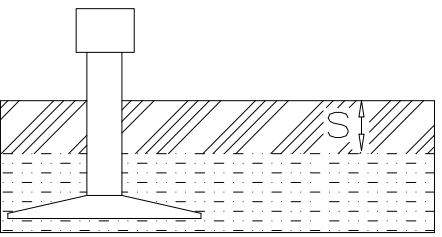
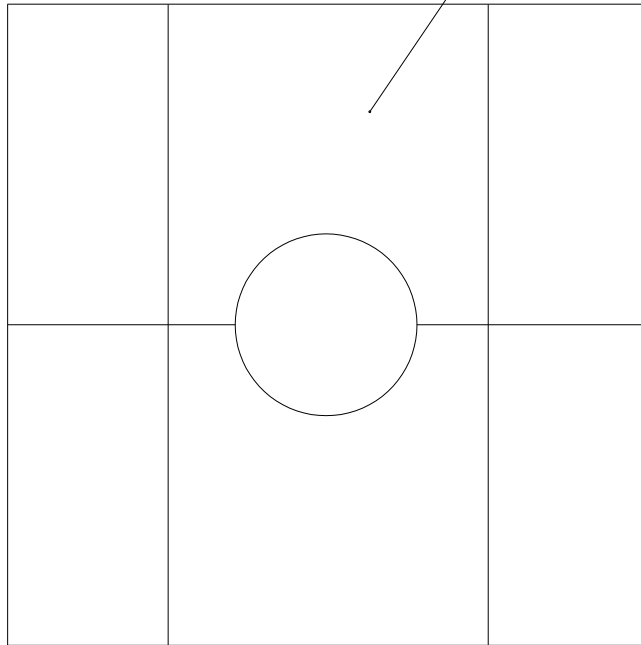
	① 706037	PCS	② 705335	PCS
		1		2
			120x120x1000	
	③ 980114	PCS	④ 905103	PCS
		4		6
	Ø4x20		PT-28/32-H	
	⑤ 905104	PCS	⑥ 905761	PCS
		16		4
	M10		120x120x700	
	⑦ 905830	PCS	⑧ 905838	PCS
		2		5
	123x123x40		L=1060	
	⑨ 909246	PCS	⑩ 906583	PCS
		6		2
	M12x140		126x181x14x3	
	⑪ 980104	PCS	⑫ 980123	PCS
	2		56	
Ø5x90		Ø7x60		
⑬ 980100	PCS	⑭ 980154	PCS	
	2		6	
Ø5x60		Ø24/13		
⑮ 705388	PCS	⑯ 909256	PCS	
	2		56	
120x120x2090		Ø16/8.4		

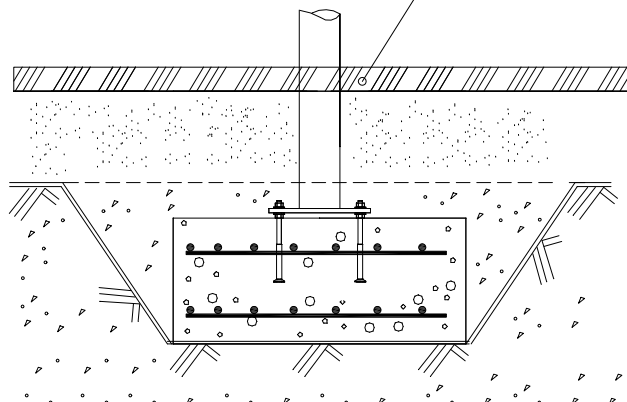


		
<p>$h < 600$</p> <p>Without movement and therefore without Impact Area</p>	<p>Totally hard surfaces.</p> <p>Note. Lappset does <u>not recommend</u> totally hard surfaces at all.</p>	<p>E.g. concrete or asphalt</p> 
<p>$h < 600$</p> <p>With movement e.g. rocking</p>	<p>Materials with very limited impact attenuating properties.</p>	<p>E.g. wood</p> 
<p>$h < 1000$</p>	<p>Materials with significant impact attenuating properties.</p>	<p>fine gravel 0–8 mm</p>  <p>grass</p>  <p>unsorted sand</p> 
<p>$h < 3000$</p>	<p>Loose fill material</p> <p>E.g. sand/gravel 0,25...8 mm D60/D10<3,0 Woodchips 5...30 mm bark 20...80 mm</p>	 <p>\underline{S} \underline{h}</p> <p>30 cm < 2,0 m</p> <p>40 cm < 3,0 m</p>
	<p>Syntethic granulates</p> <p>\underline{S} \underline{h}</p> <p>40 mm ~> 1,2...1,3 m</p> <p>50 mm ~> 1,5...1,7 m</p> <p>60 mm ~> 1,8...2,0 m</p> <p>70 mm ~> 2,1...2,5 m</p> <p>Note. For accurate values, see manufacturer's instructions.</p>	

REMOVE SAFETY SURFACE/SAND/GRAVEL
TO CHECK FOUNDATION

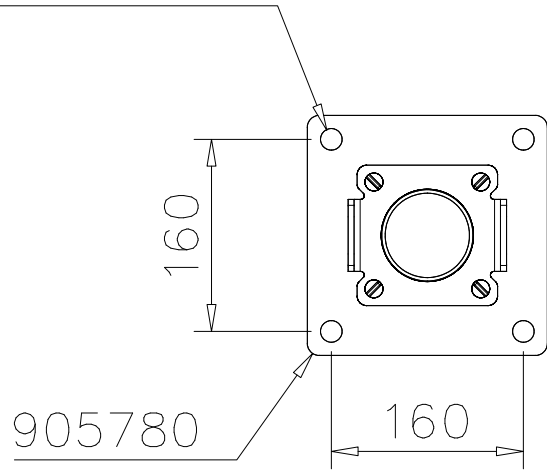


REMOVE SAFETY SURFACE/SAND/GRAVEL
TO CHECK FOUNDATION

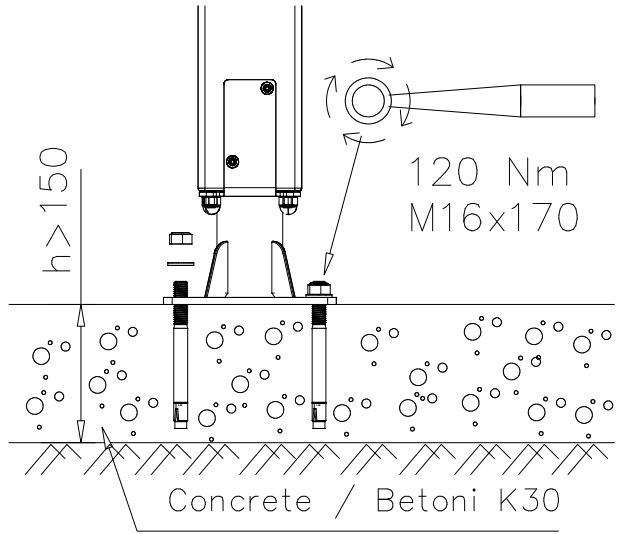


DET 1

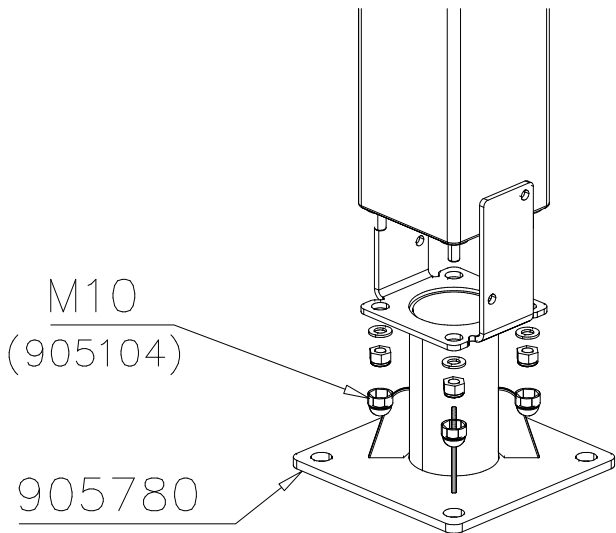
$\varnothing 16 \downarrow > 130$



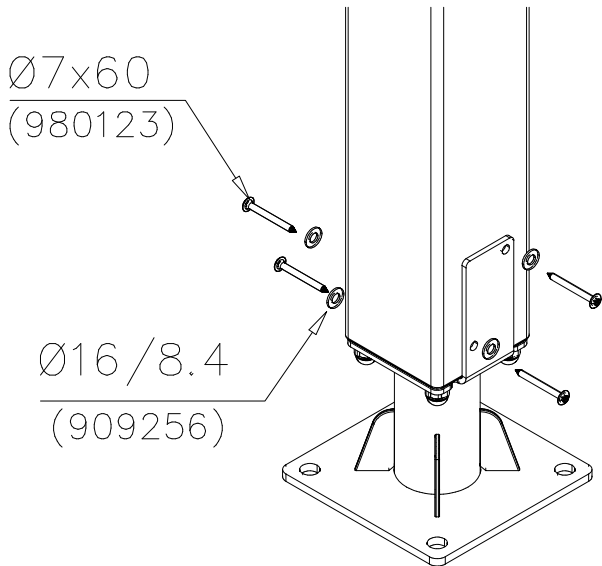
DET 2



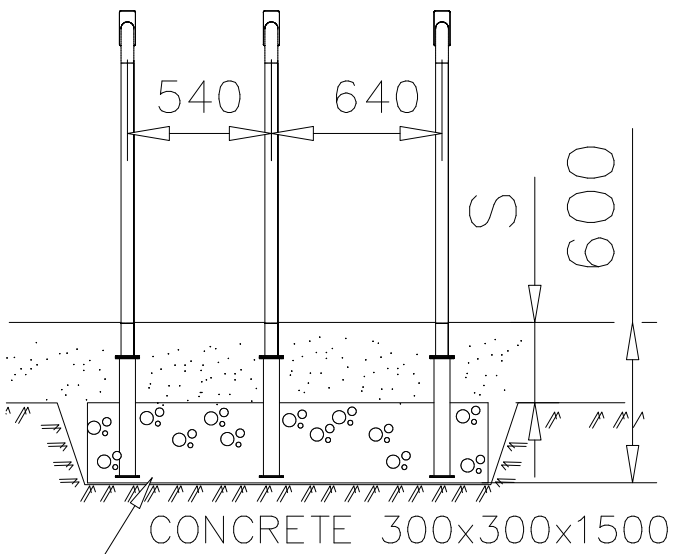
DET 3



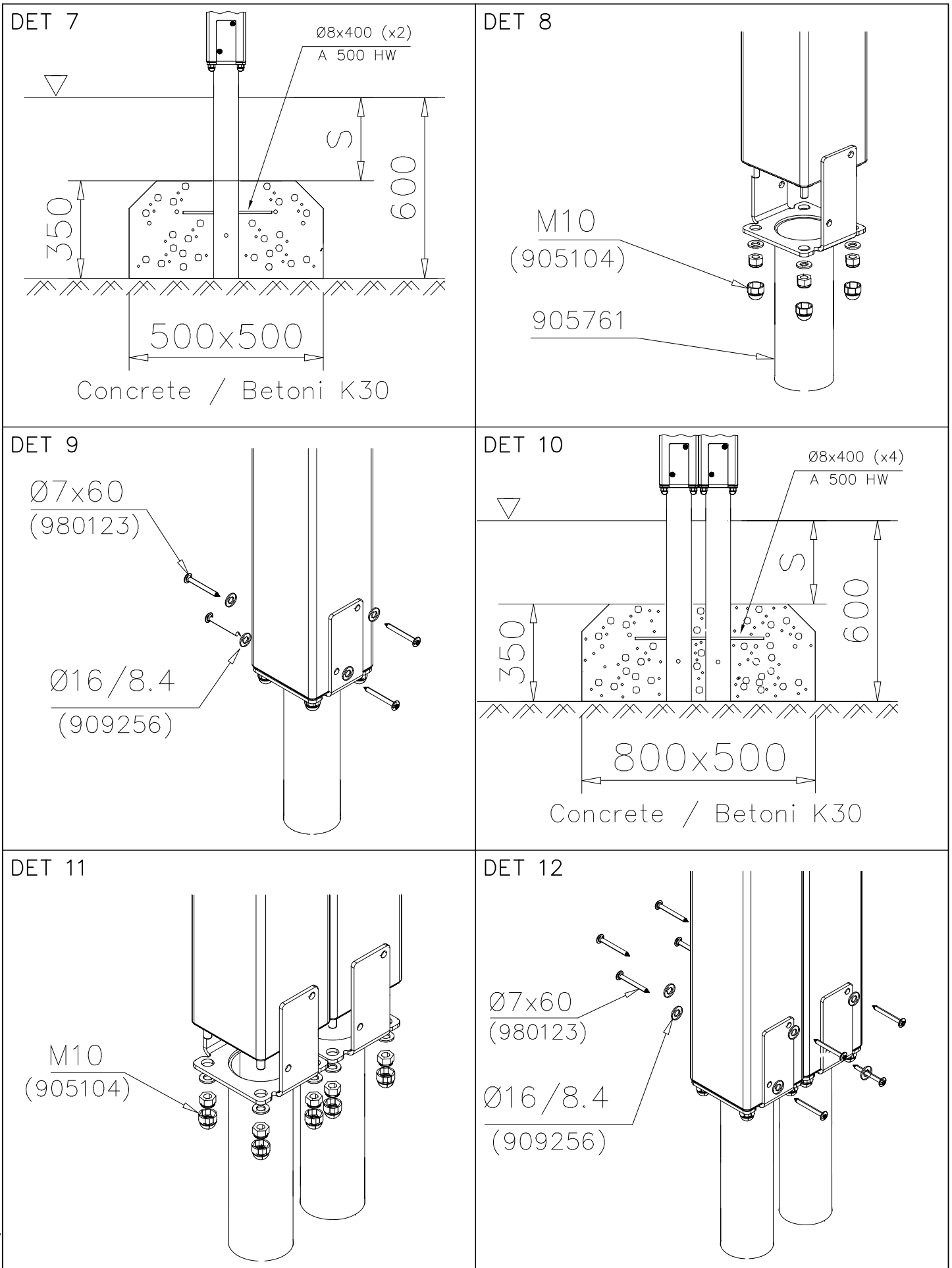
DET 4



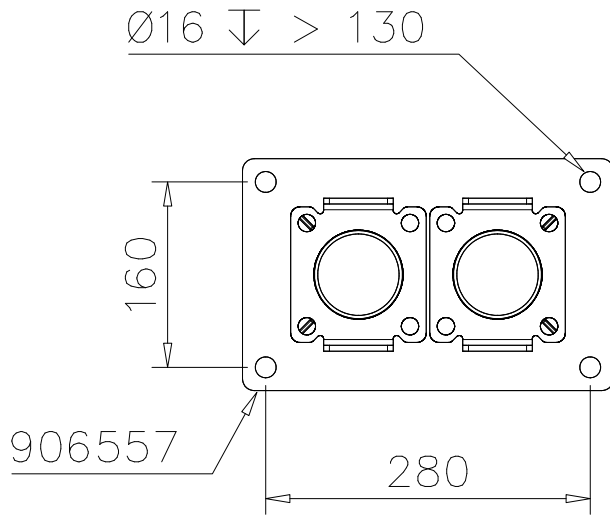
DET 5



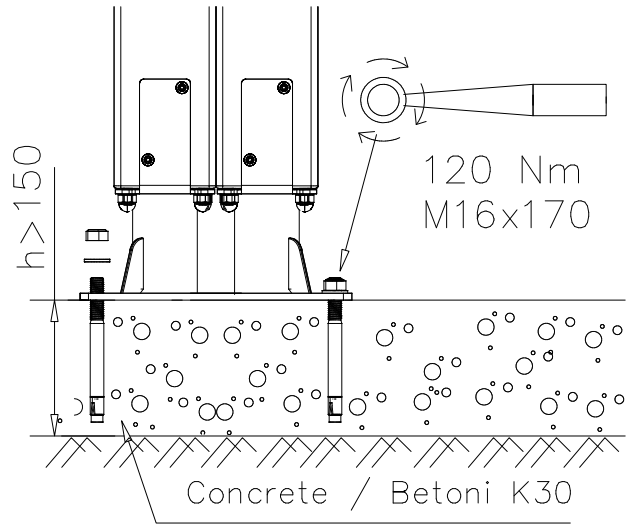
DET 6



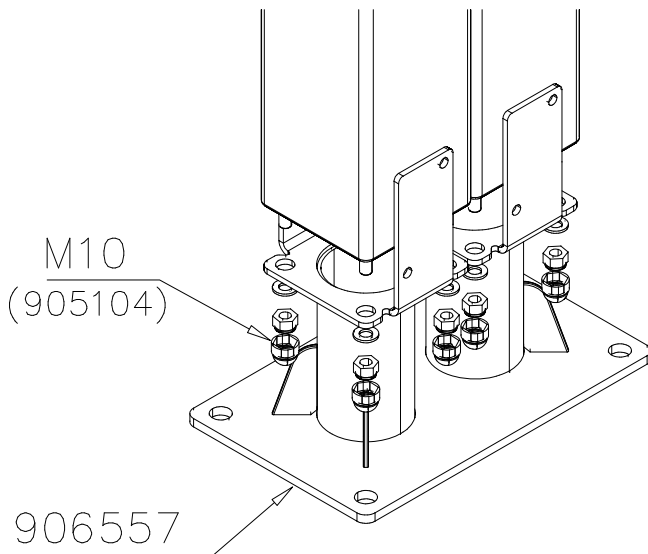
DET 13



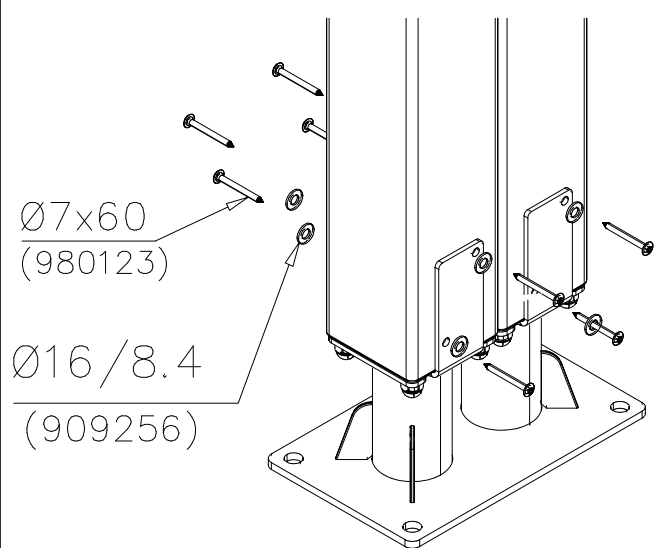
DET 14



DET 15

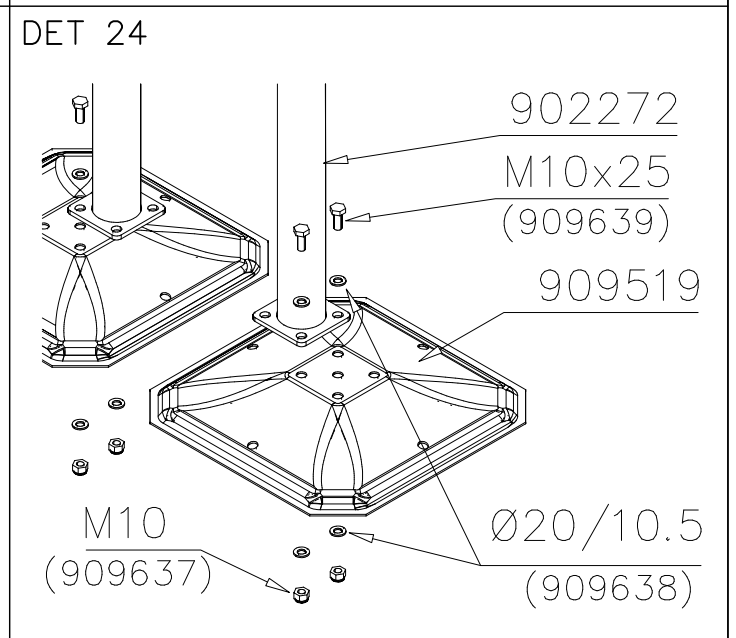
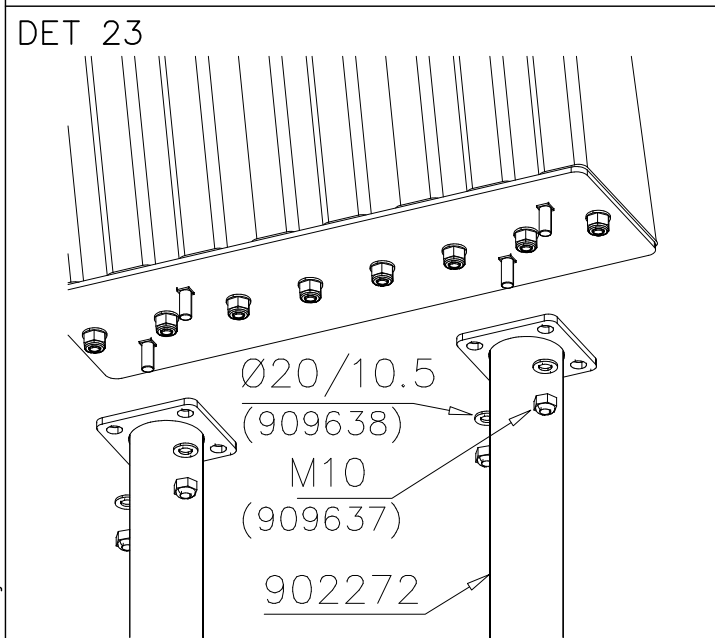
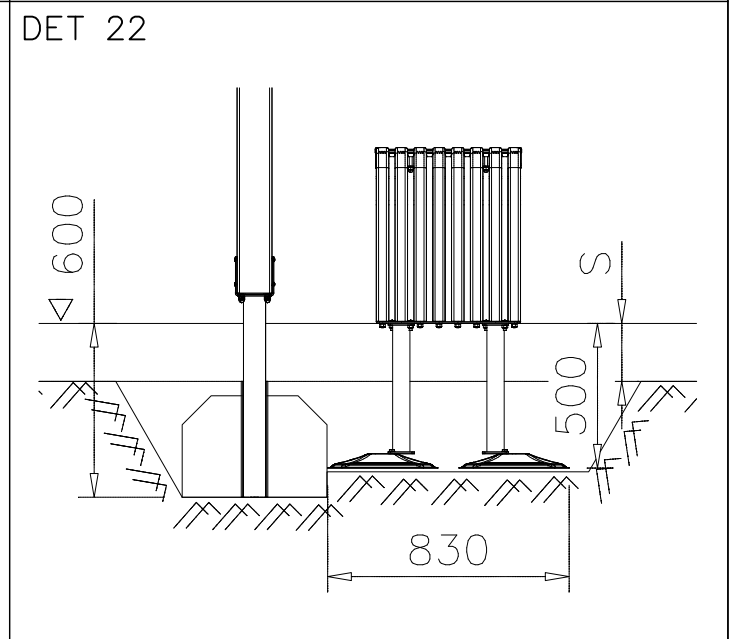
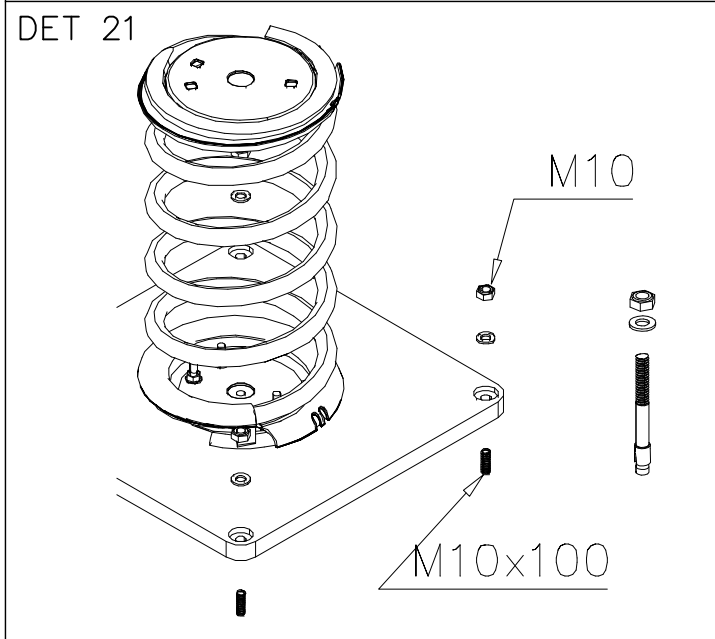
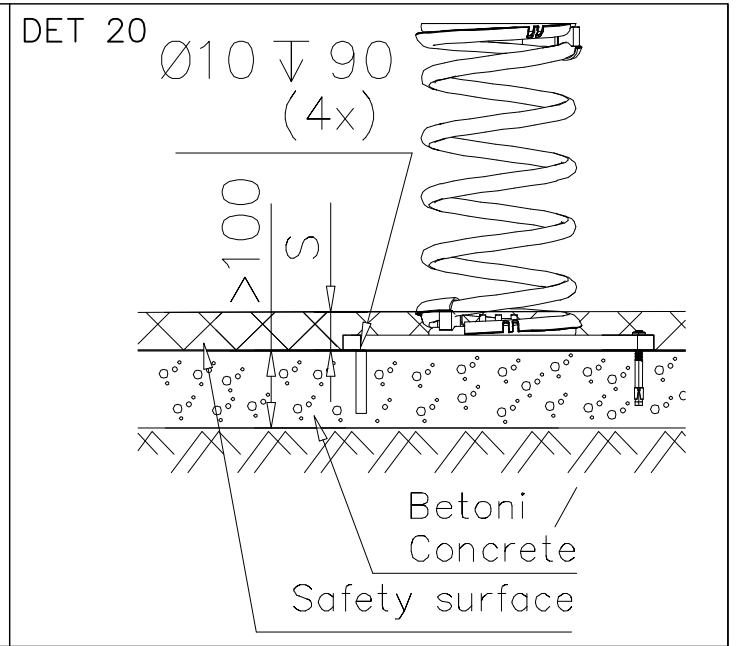
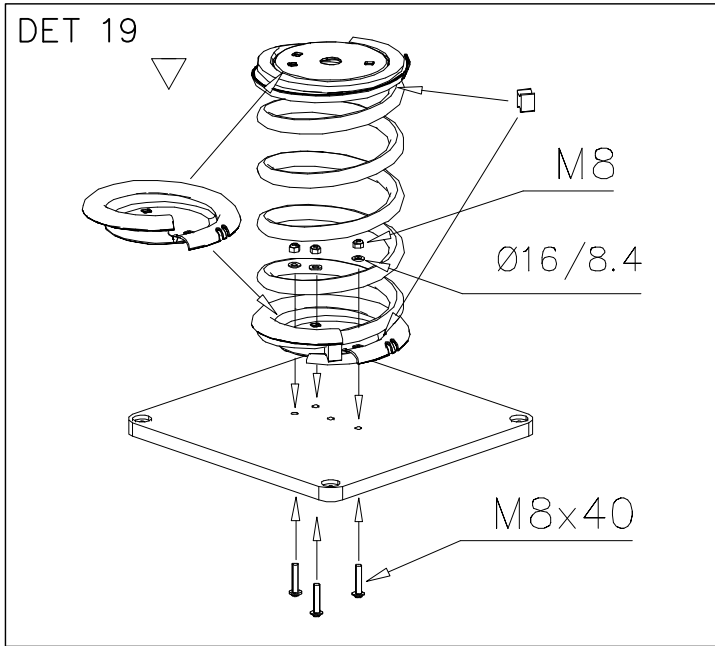


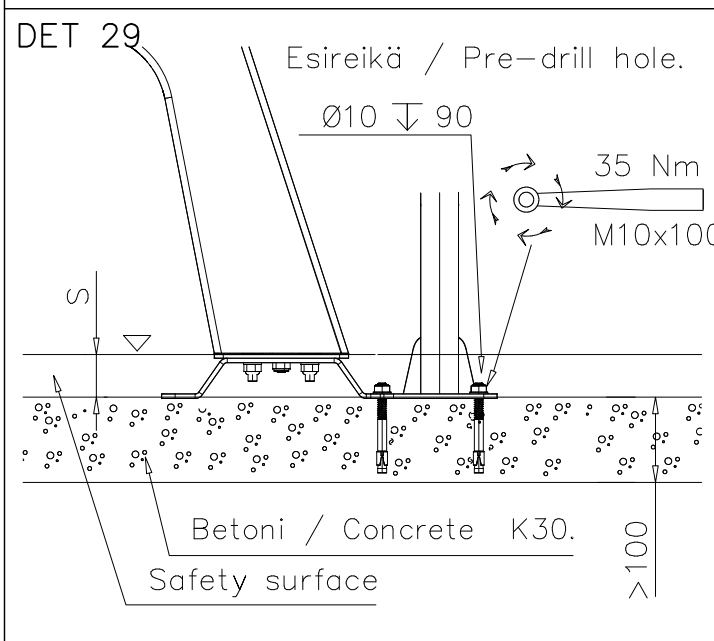
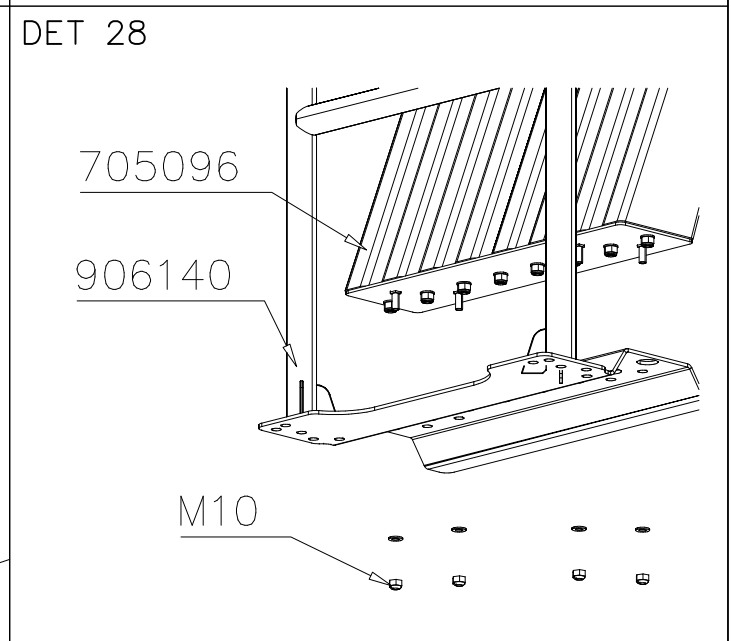
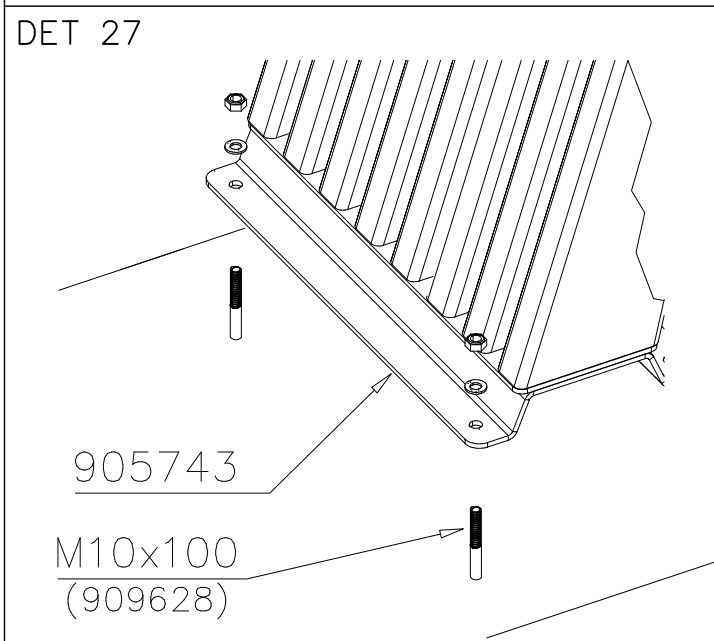
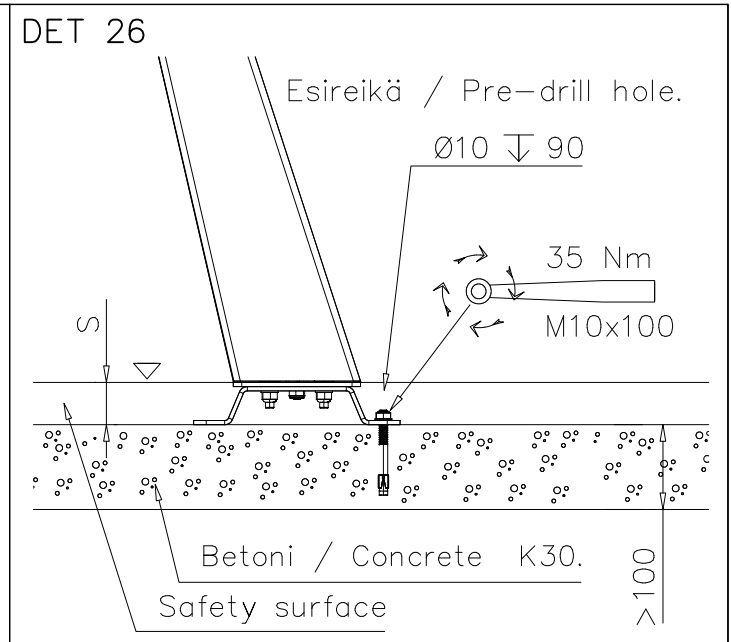
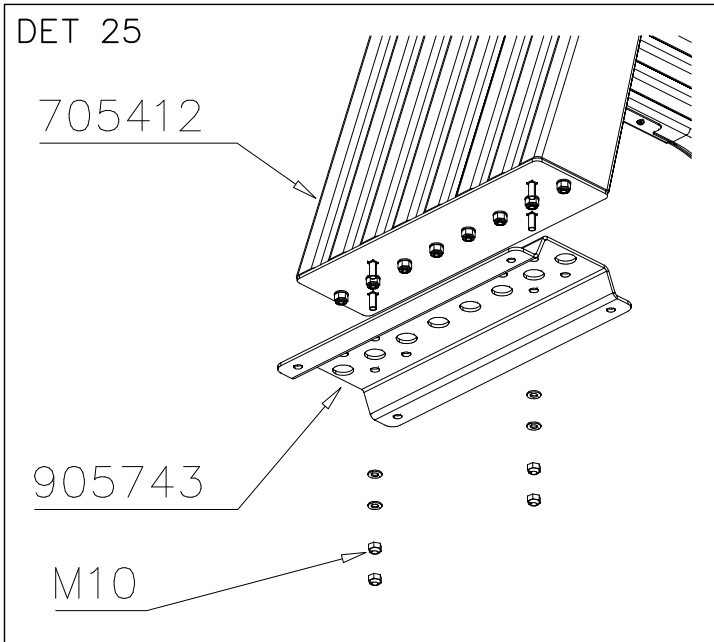
DET 16

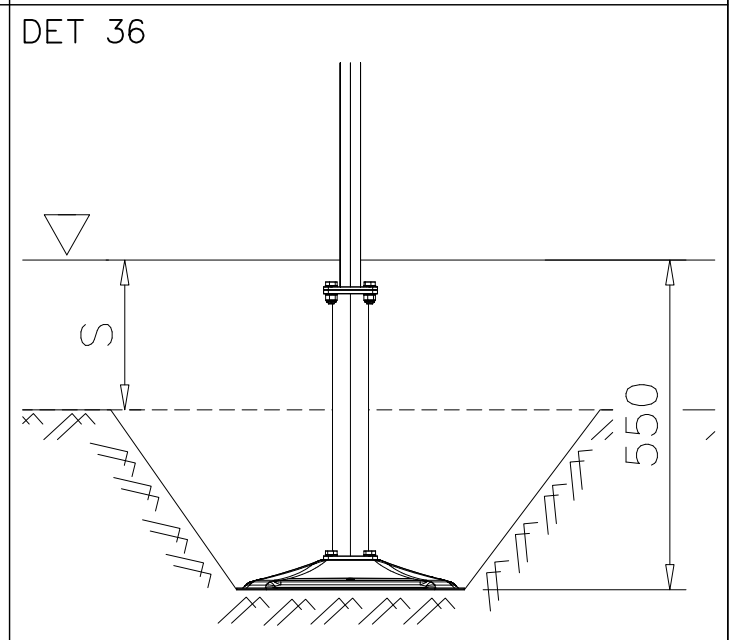
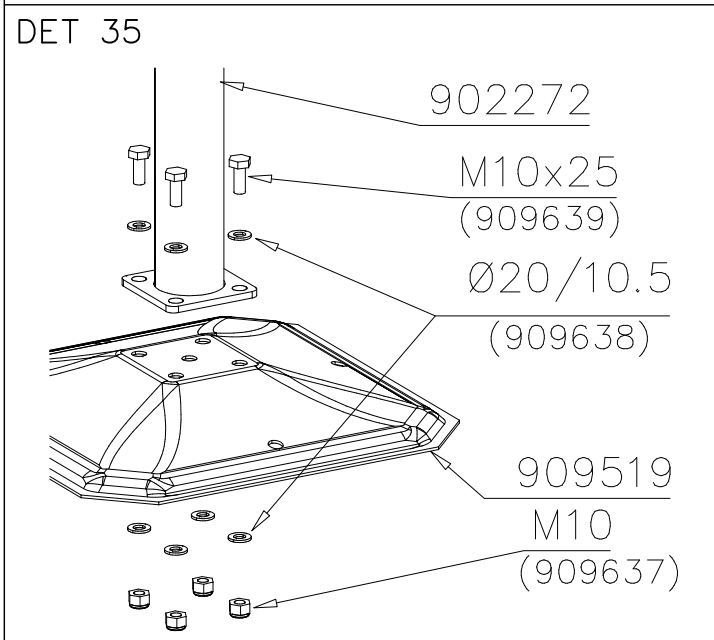
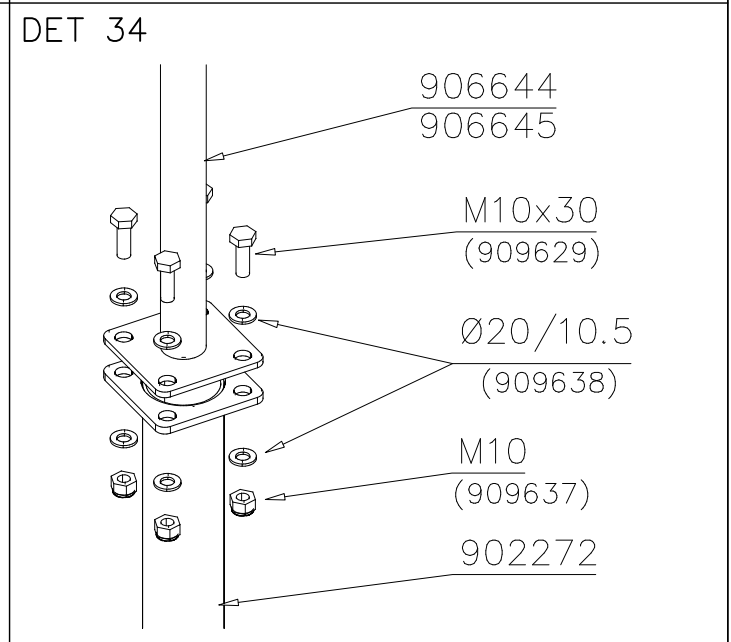
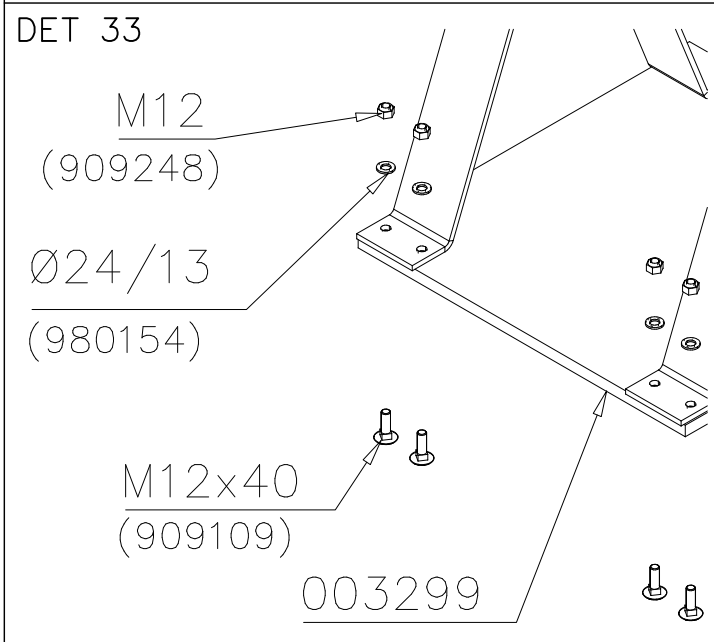
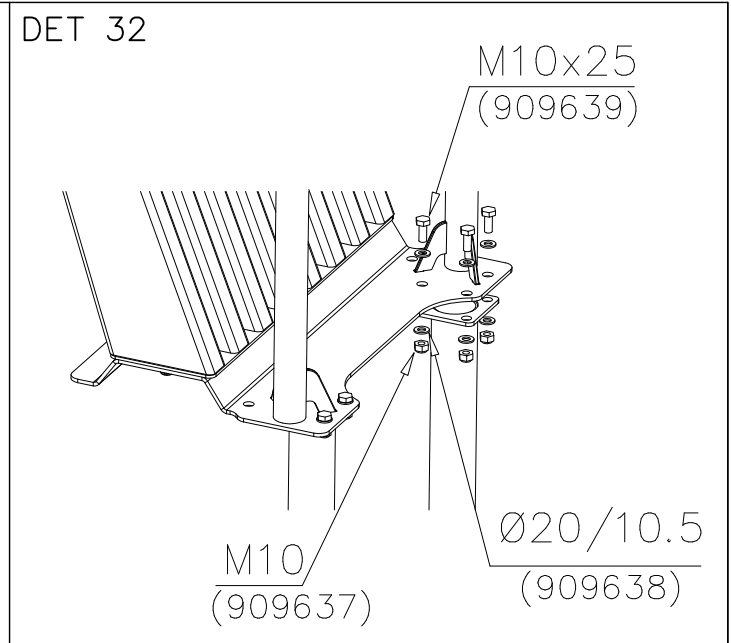
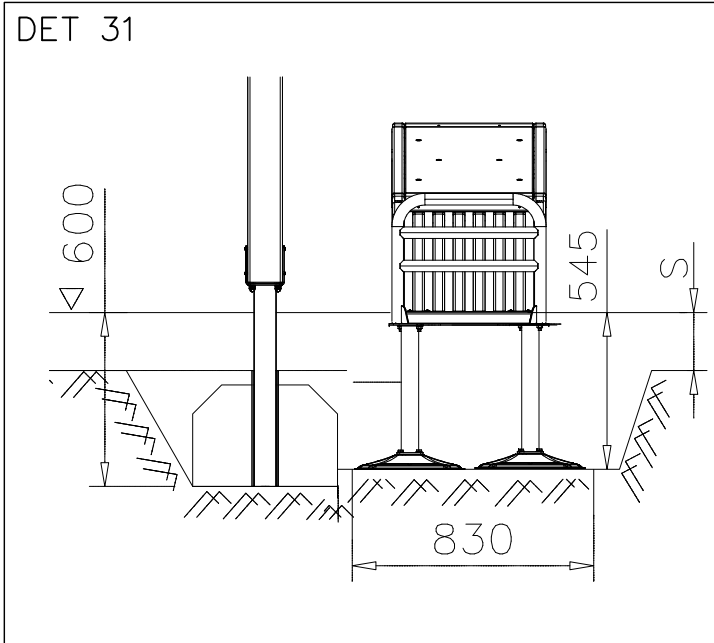


DET 17

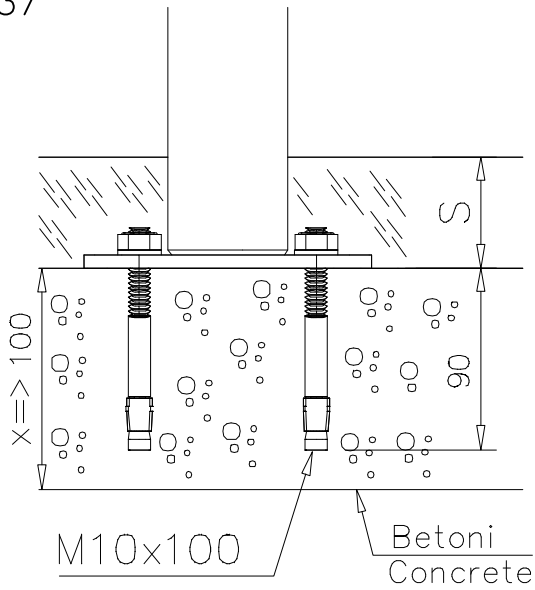
DET 18



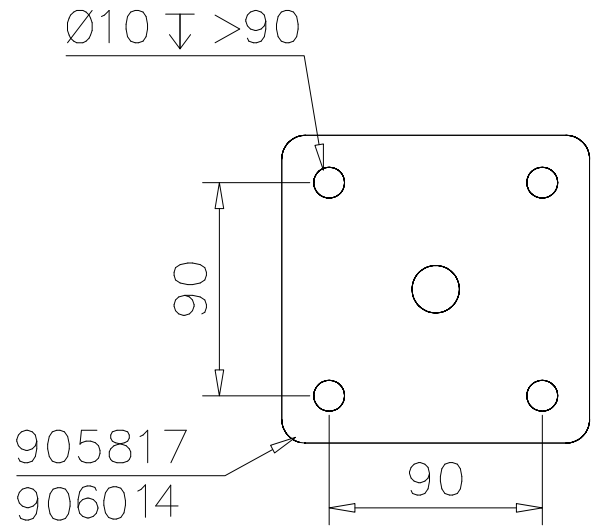




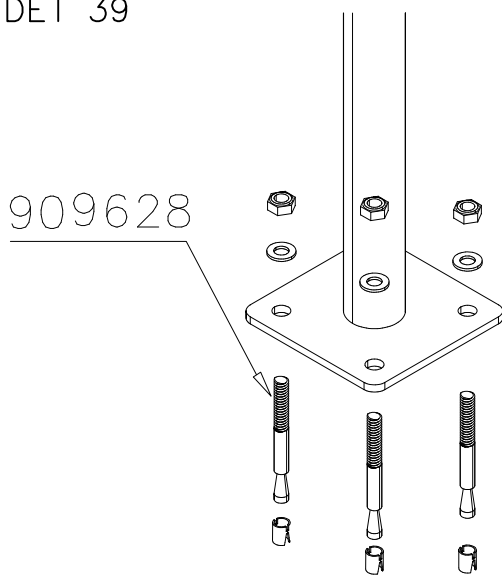
DET 37



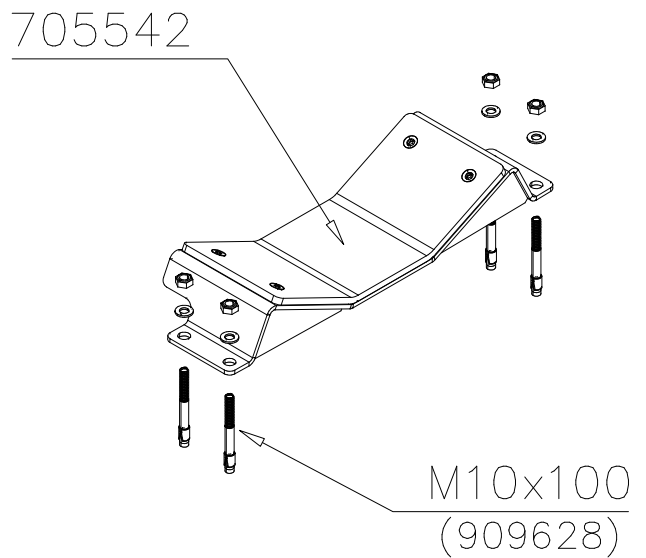
DET 38



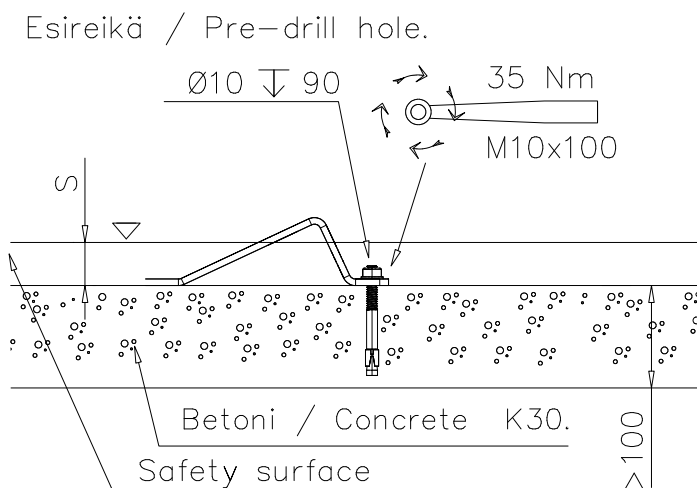
DET 39



DET 40



DET 41

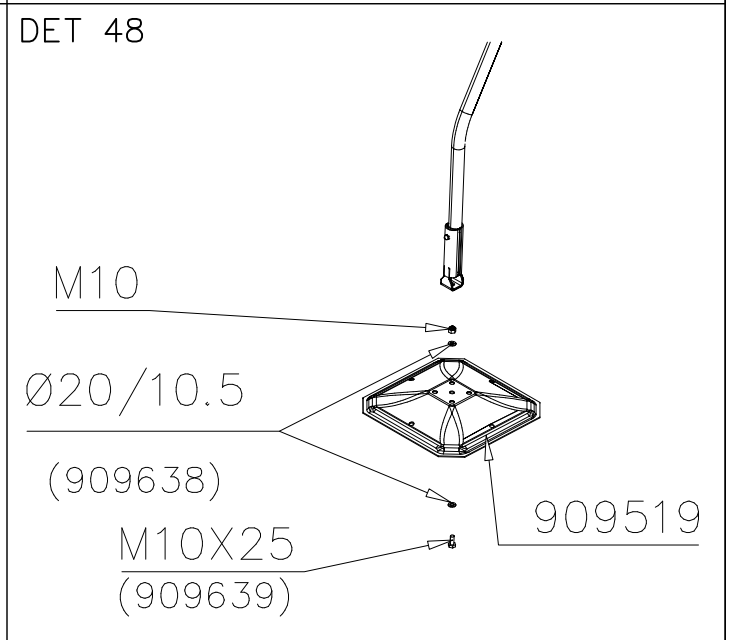
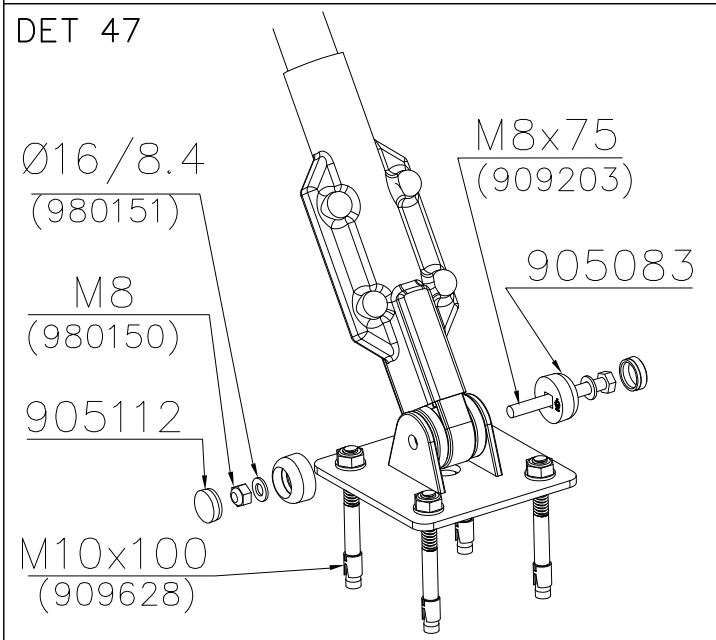
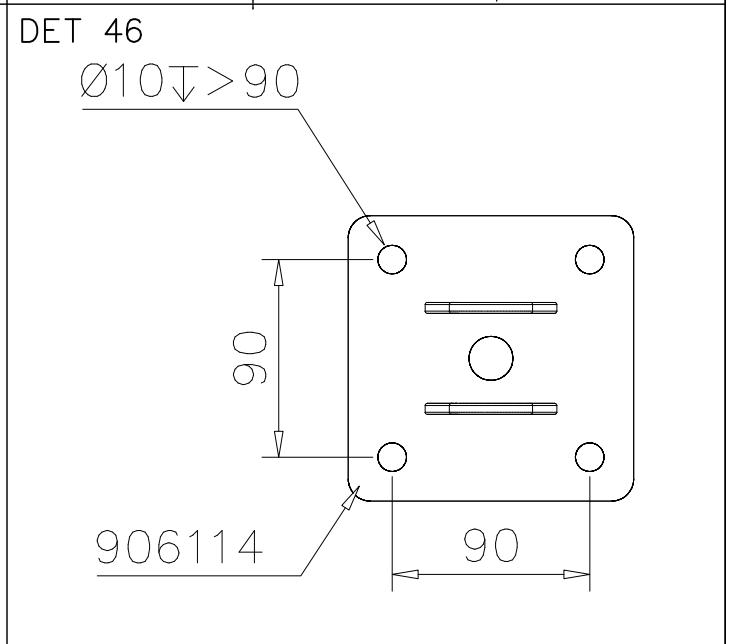
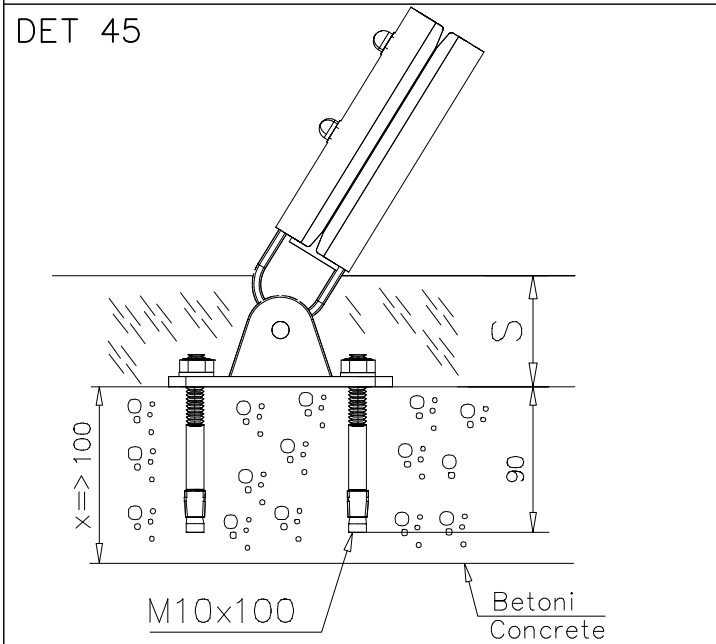
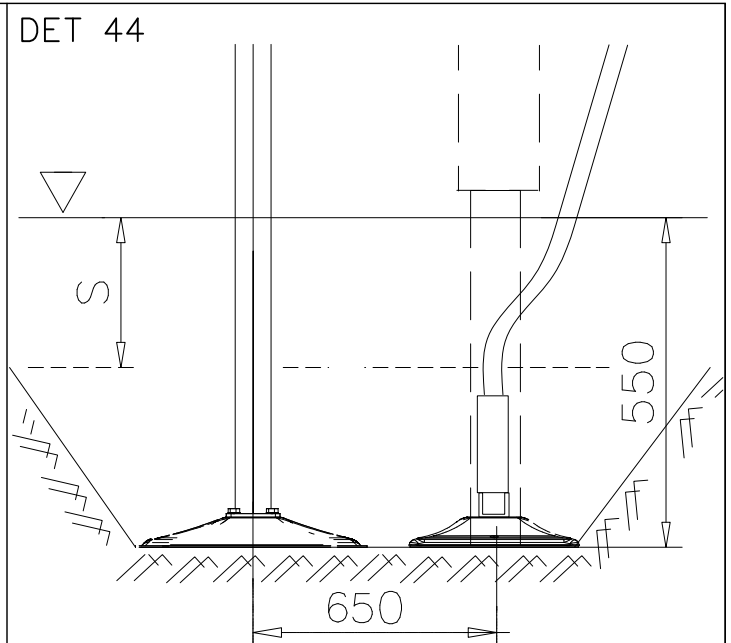
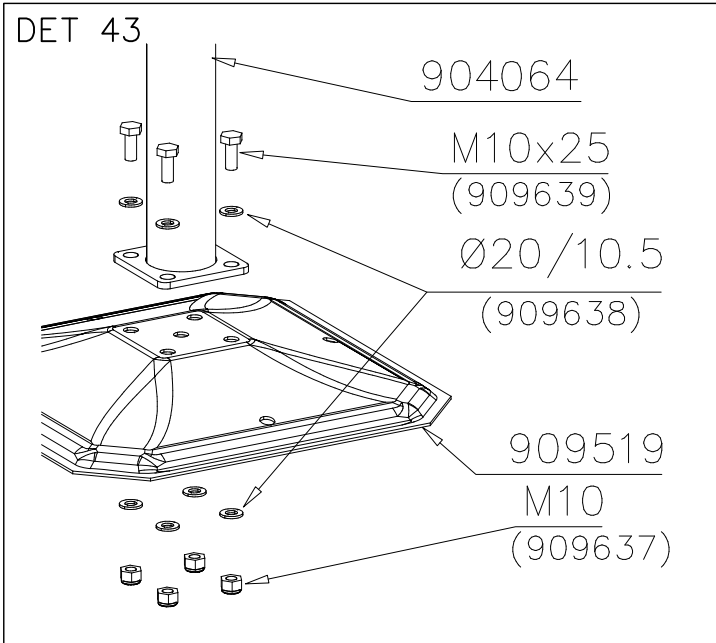


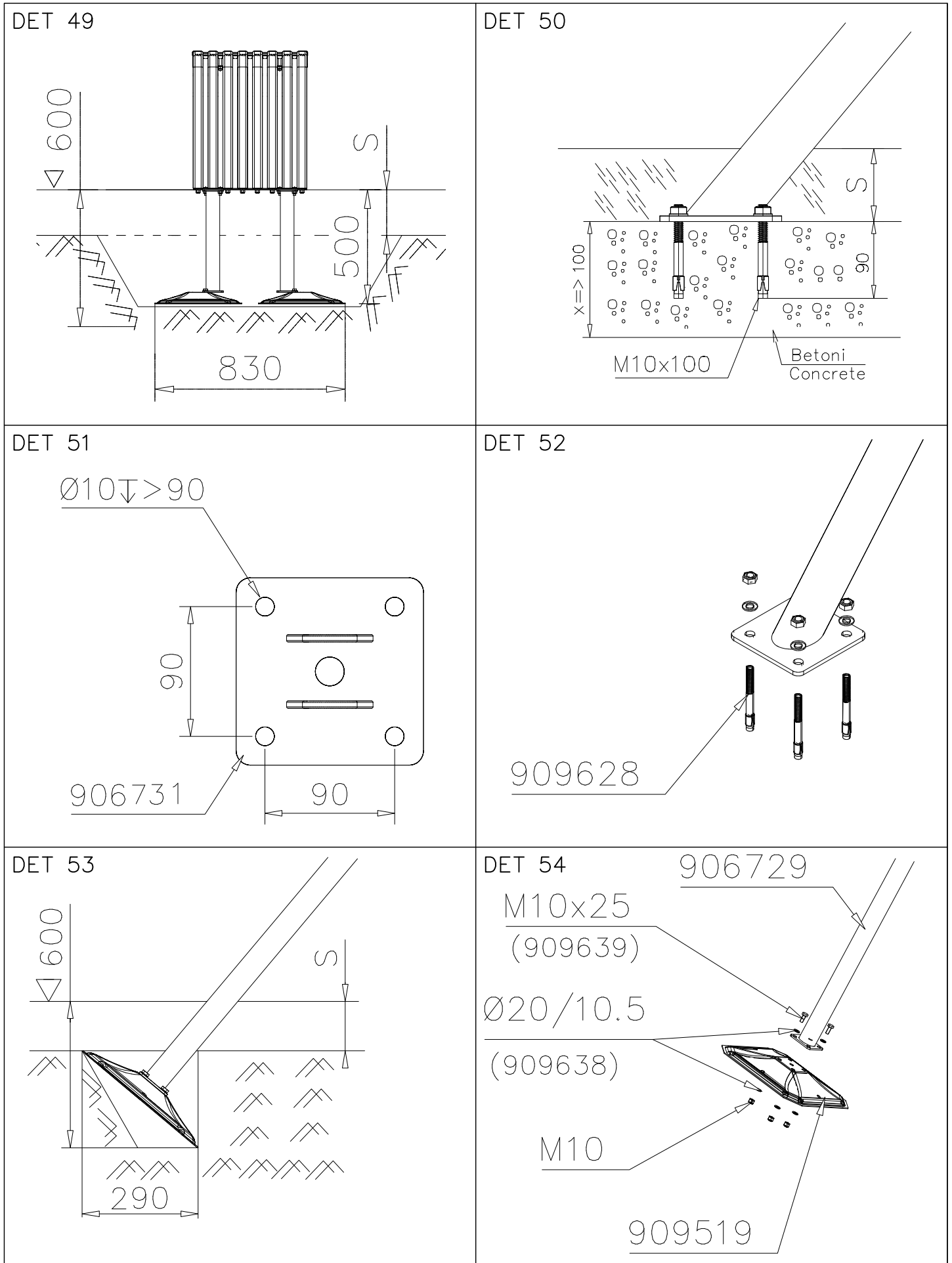
DET 42

WINAM GROUP SPORT

BASE

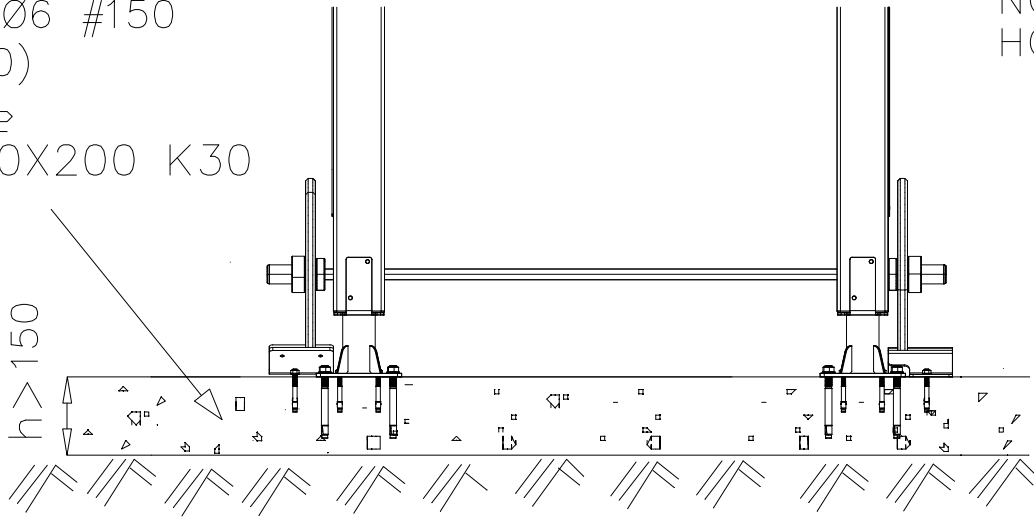
DATE: 15.8.2017





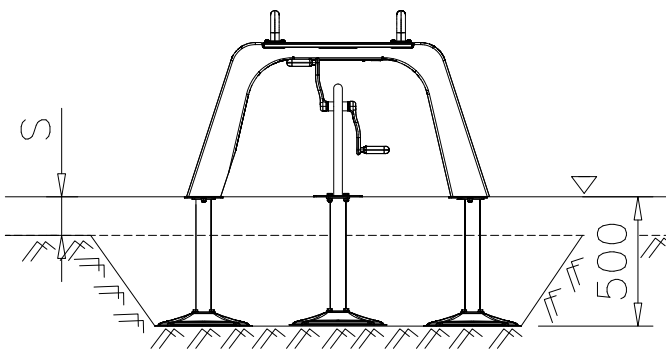
DET 55

STEELNET Ø6 #150
(1400x2100)
Concrete
1500X2200X200 K30

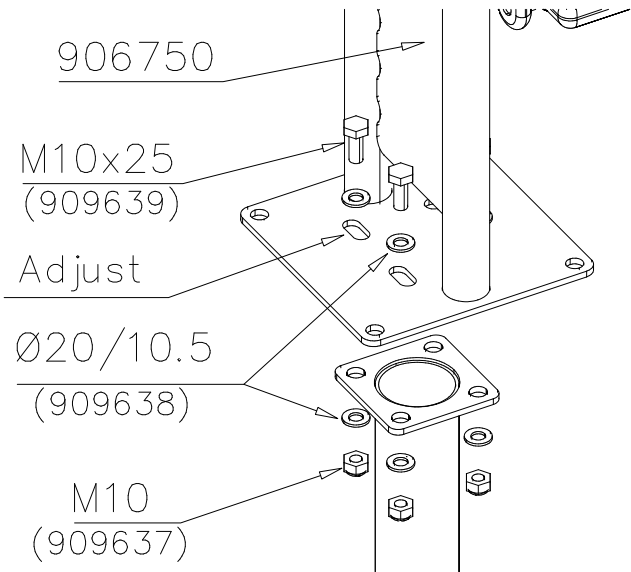


NOTE!
HOX!

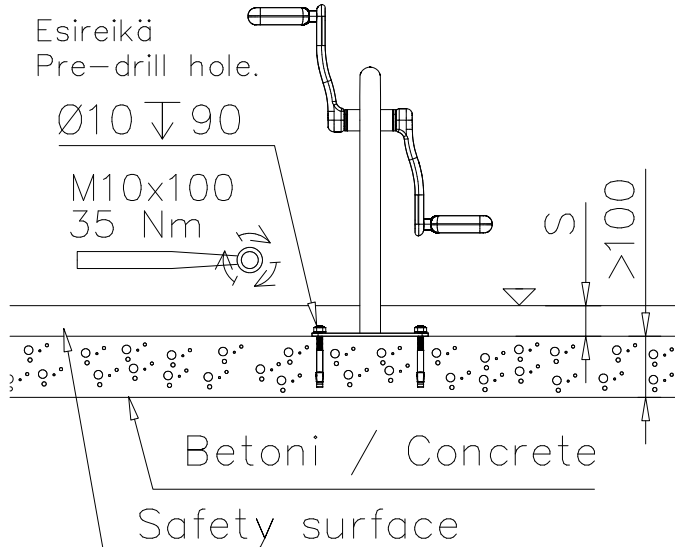
DET 56



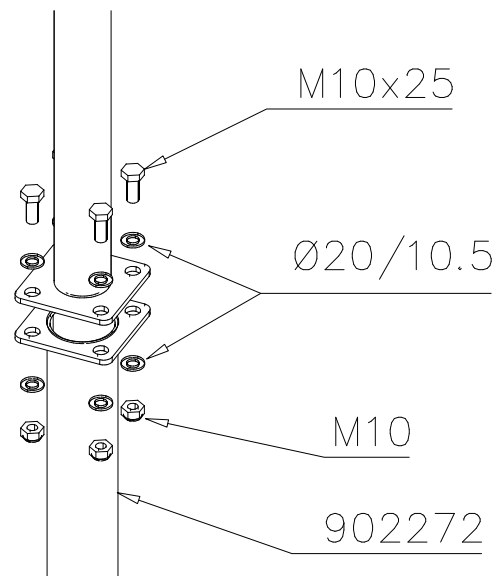
DET 57

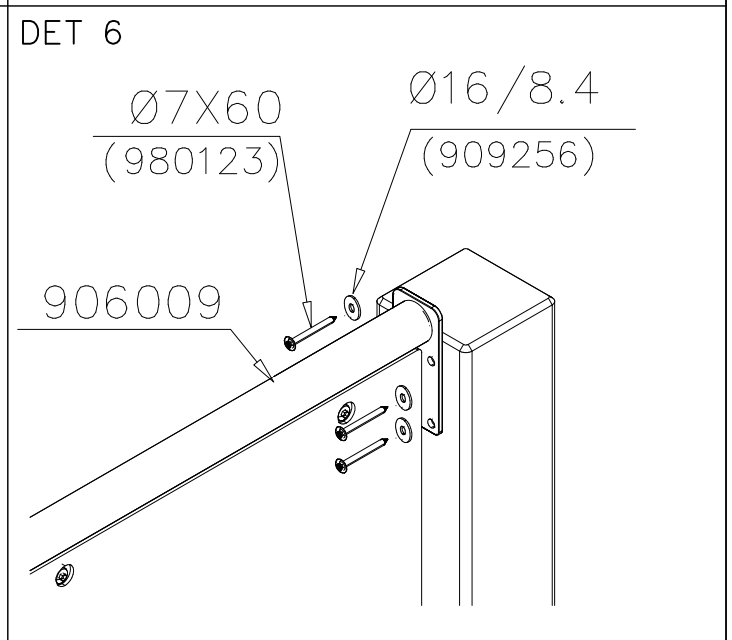
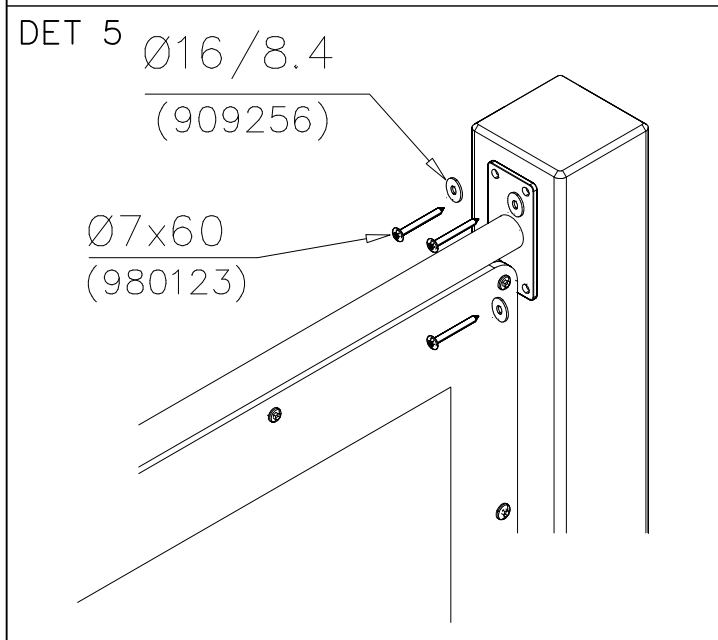
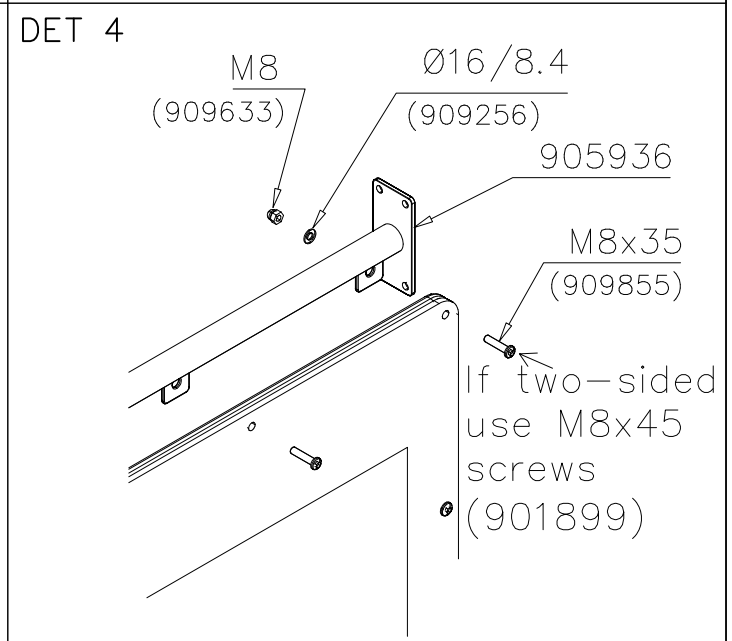
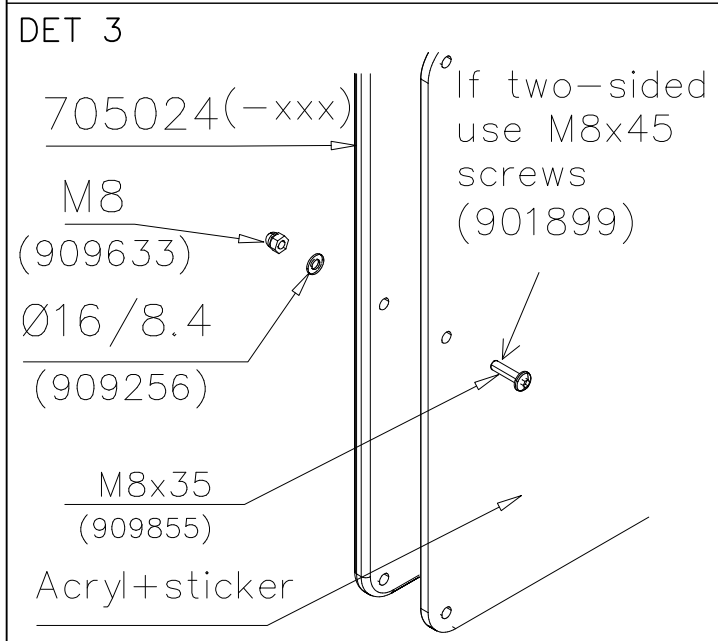
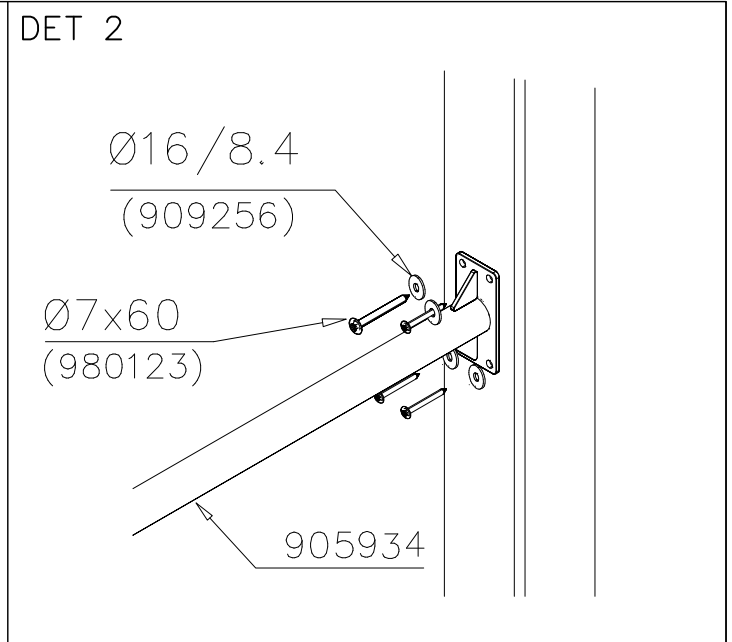
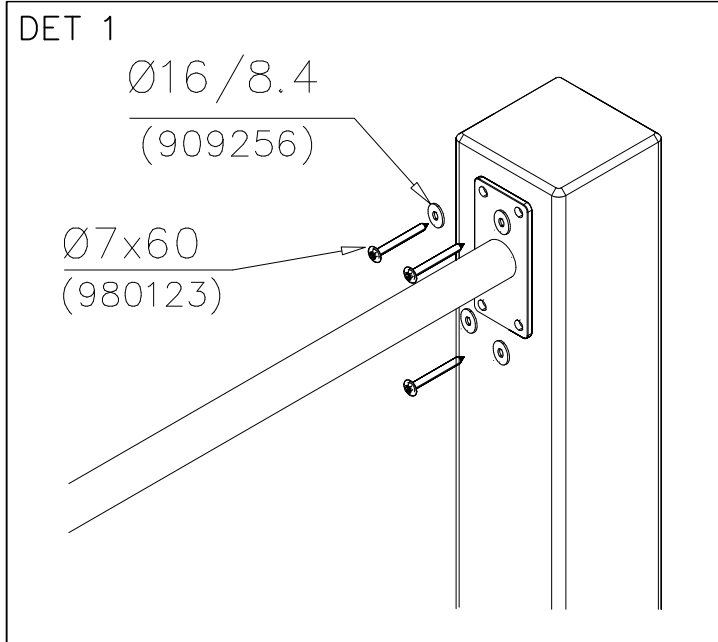


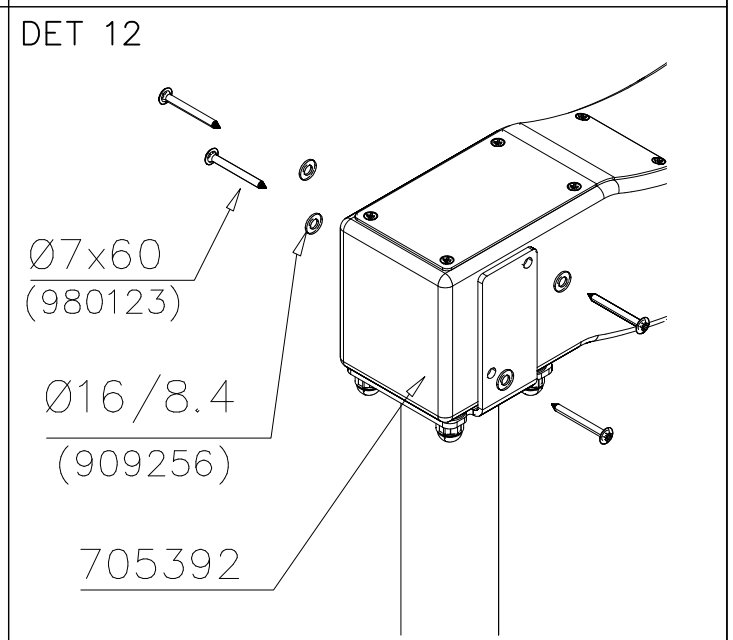
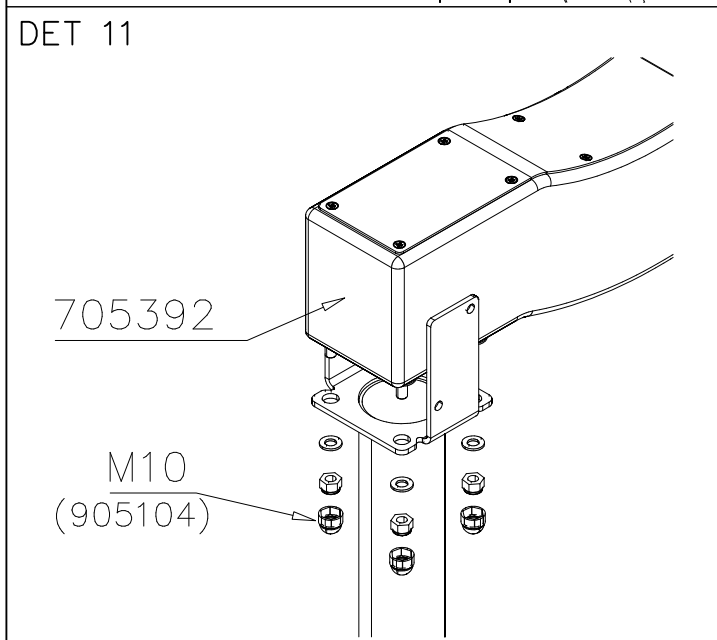
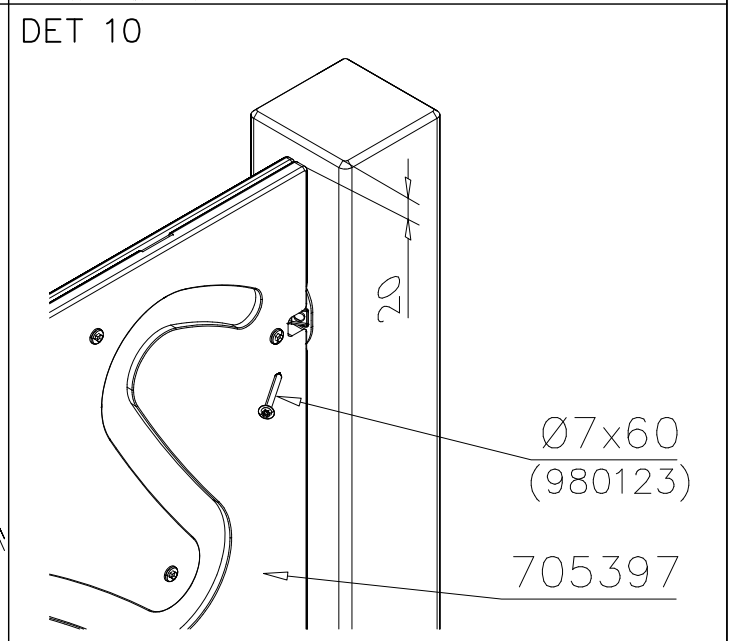
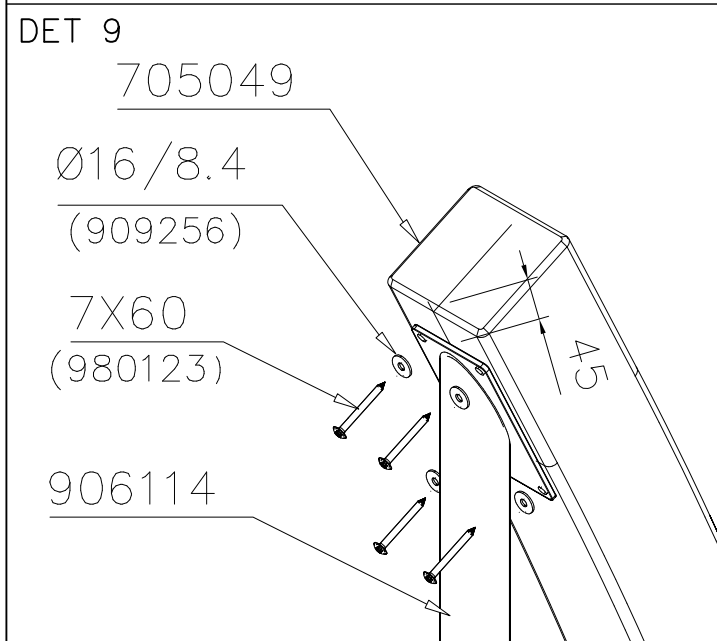
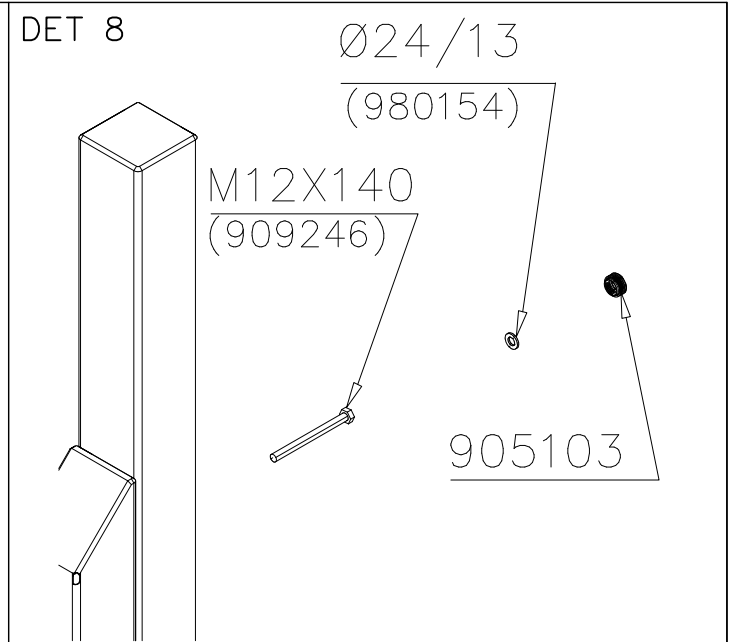
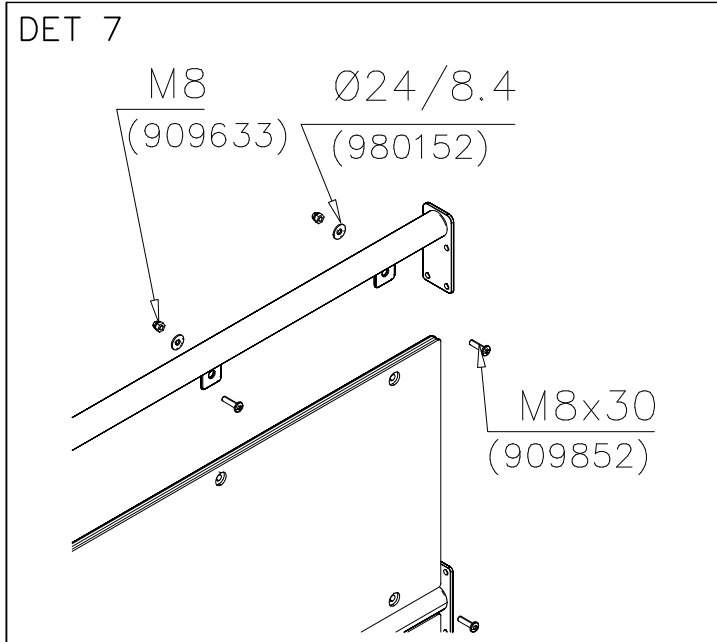
DET 58



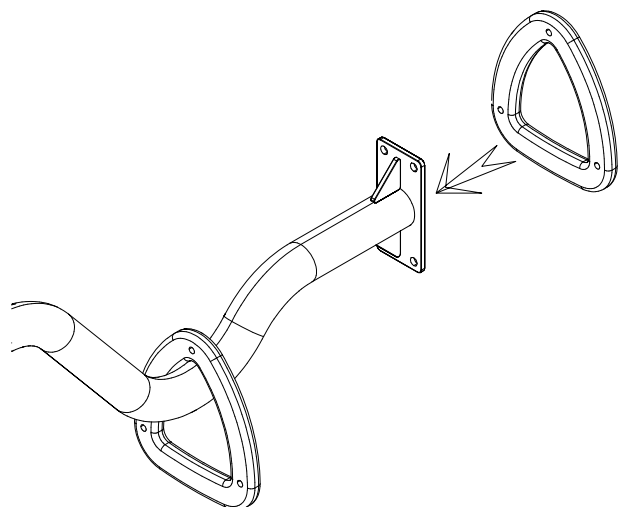
DET 59



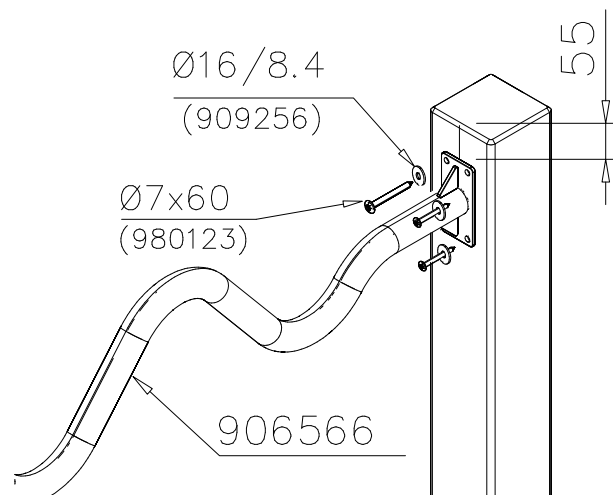




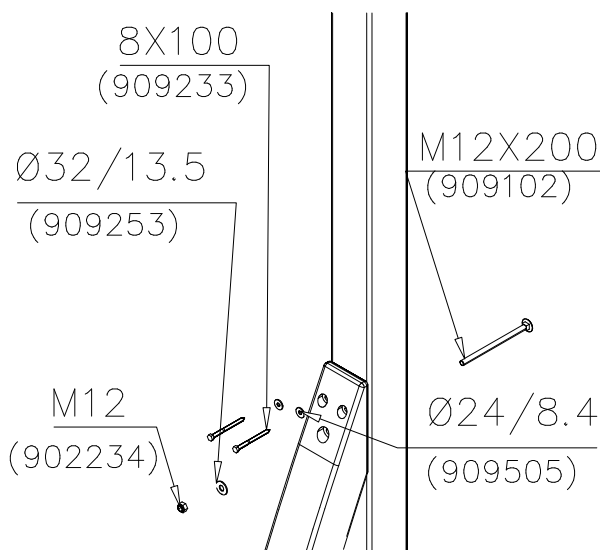
DET 13



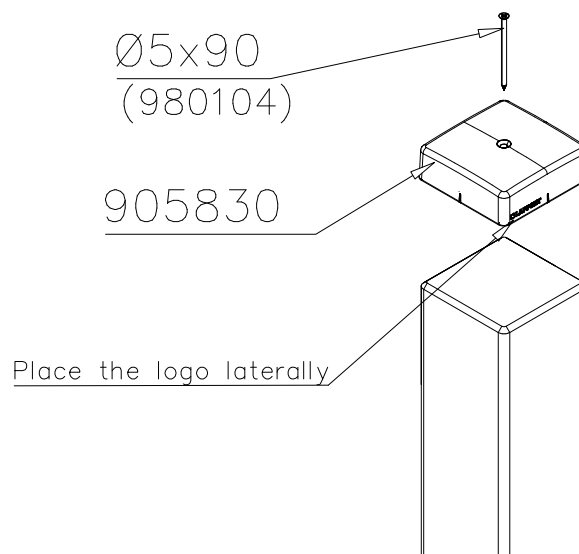
DET 14



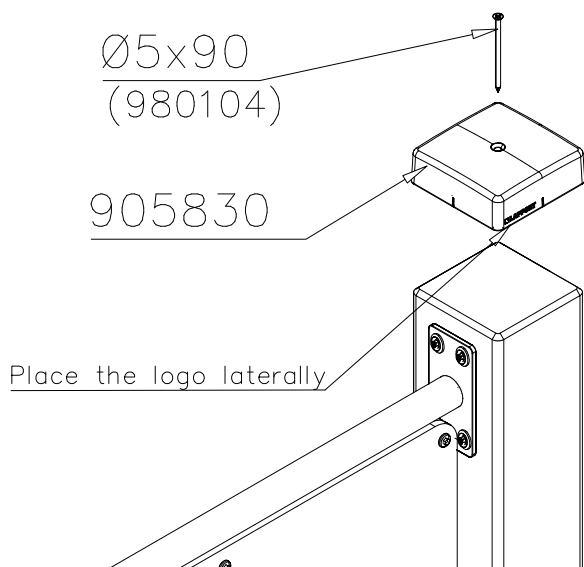
DET 15



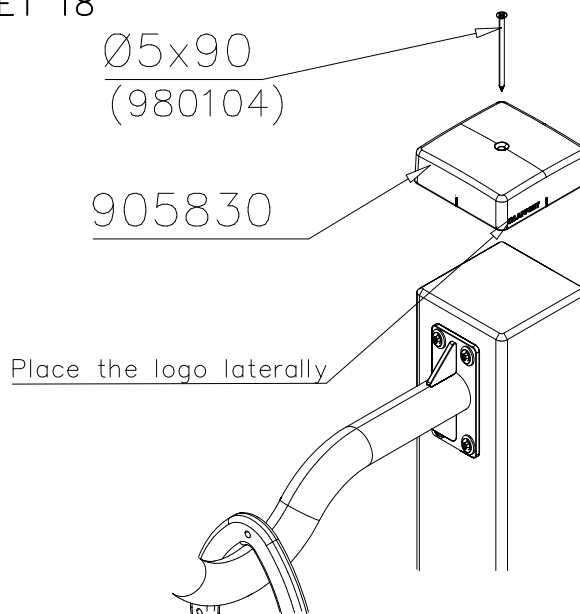
DET 16

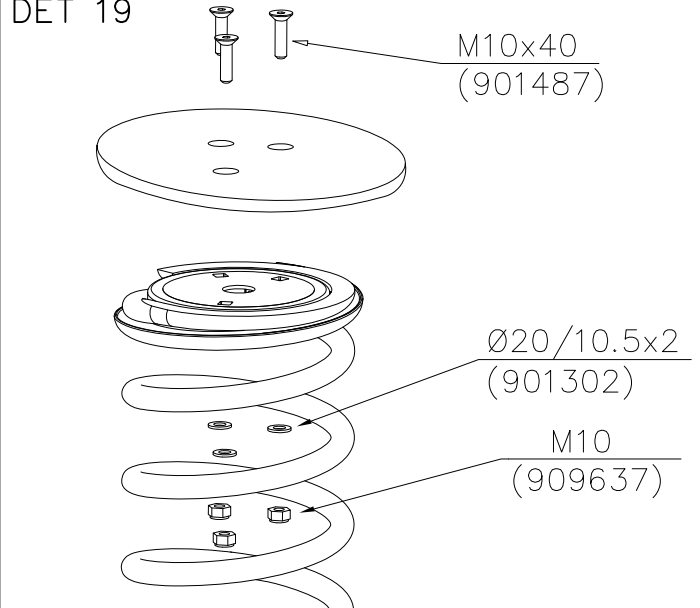
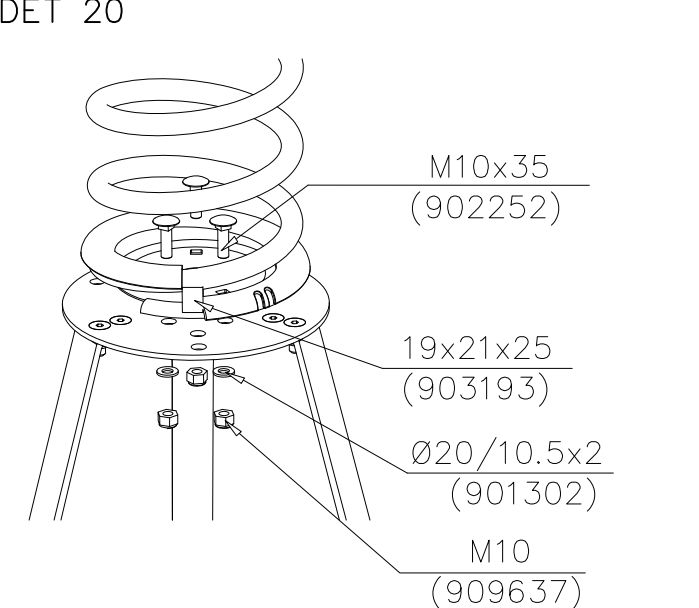
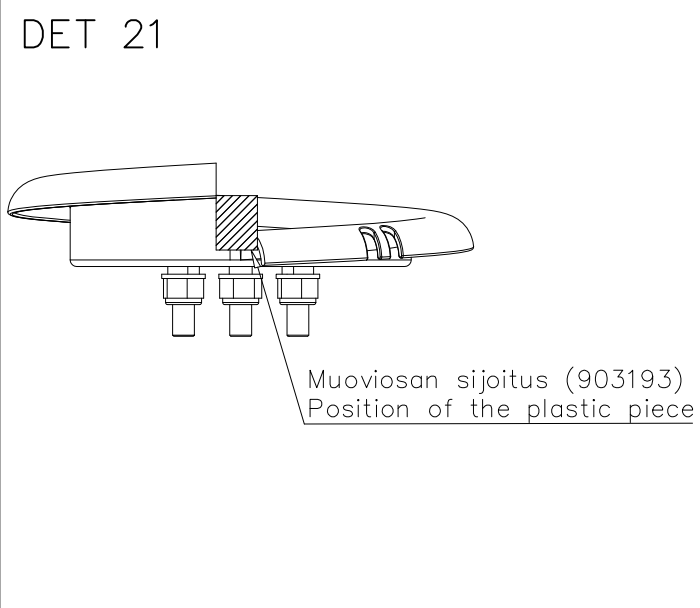
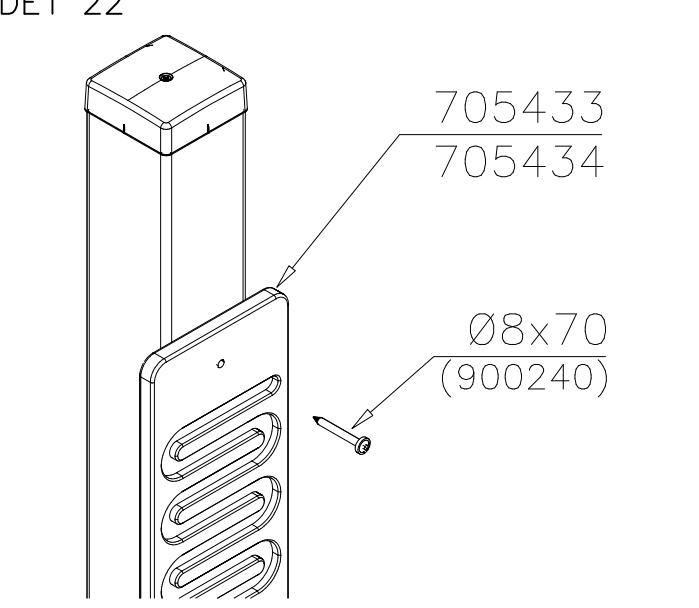
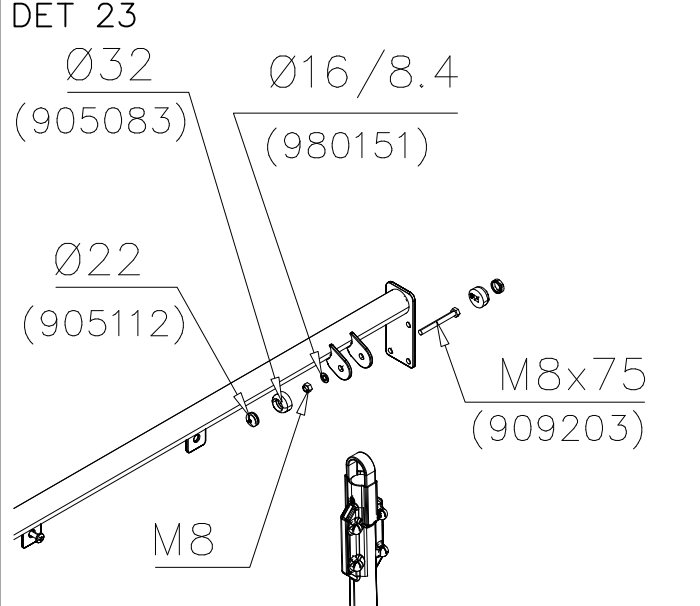
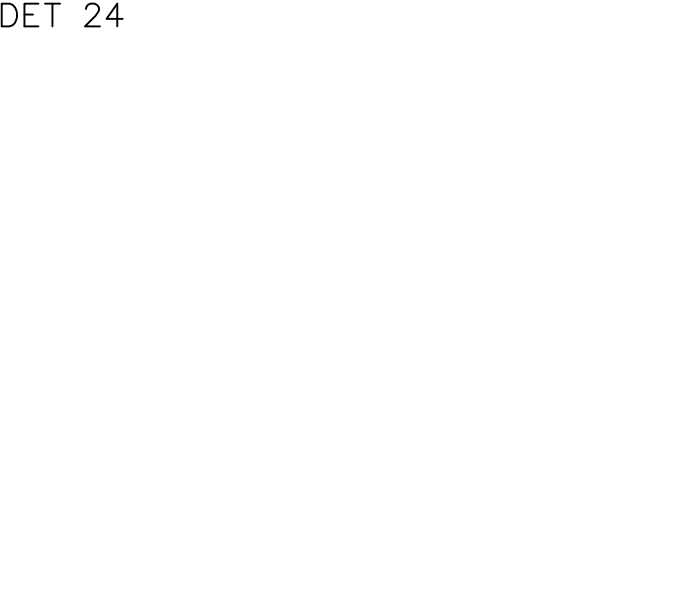


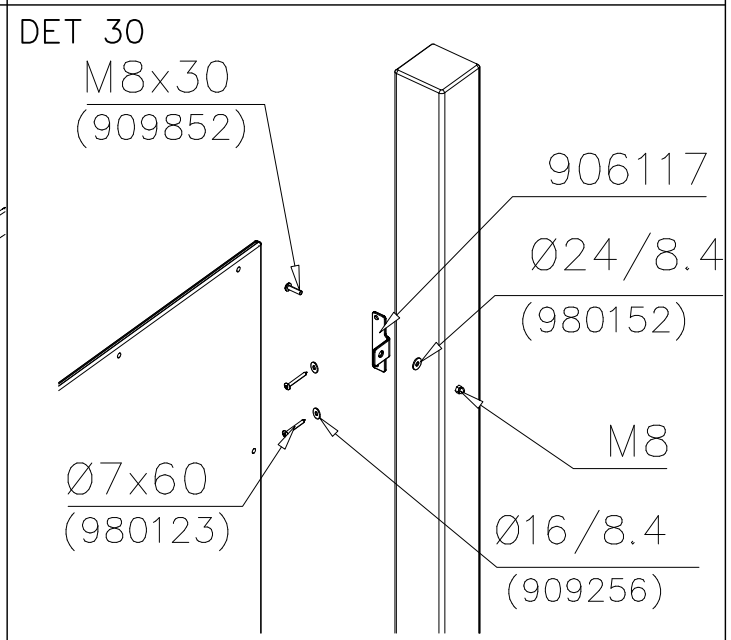
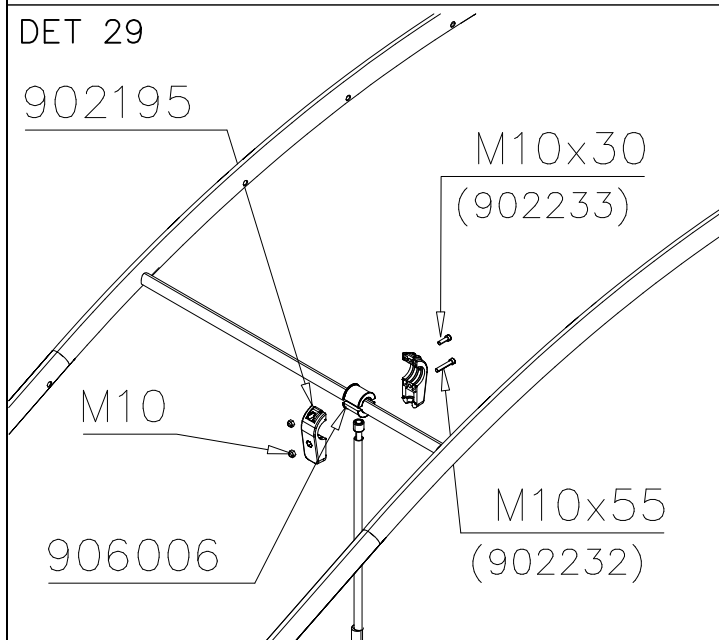
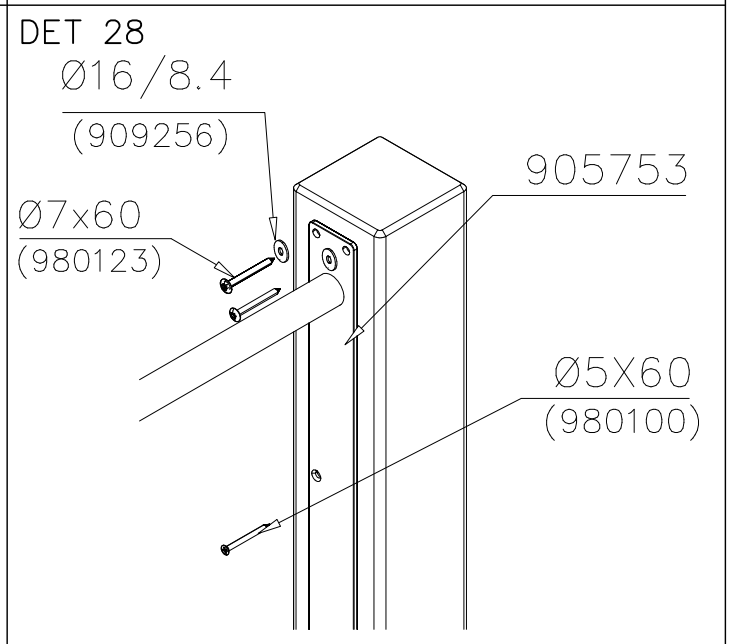
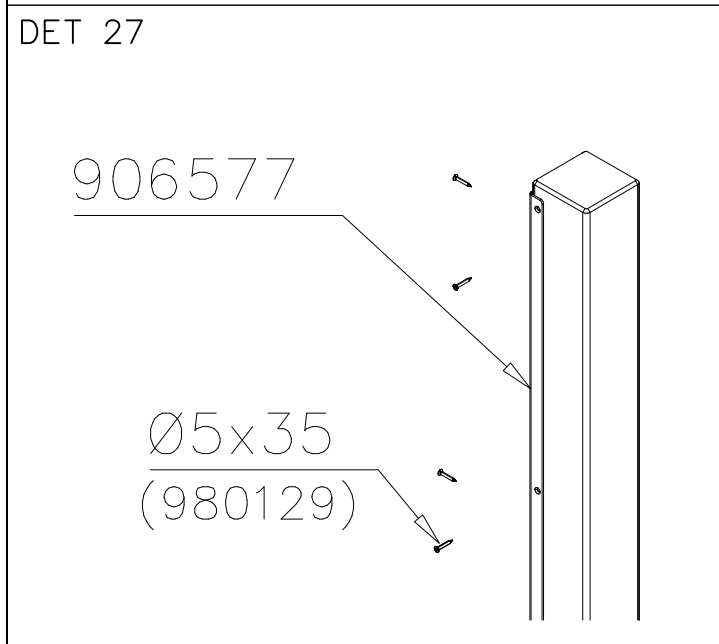
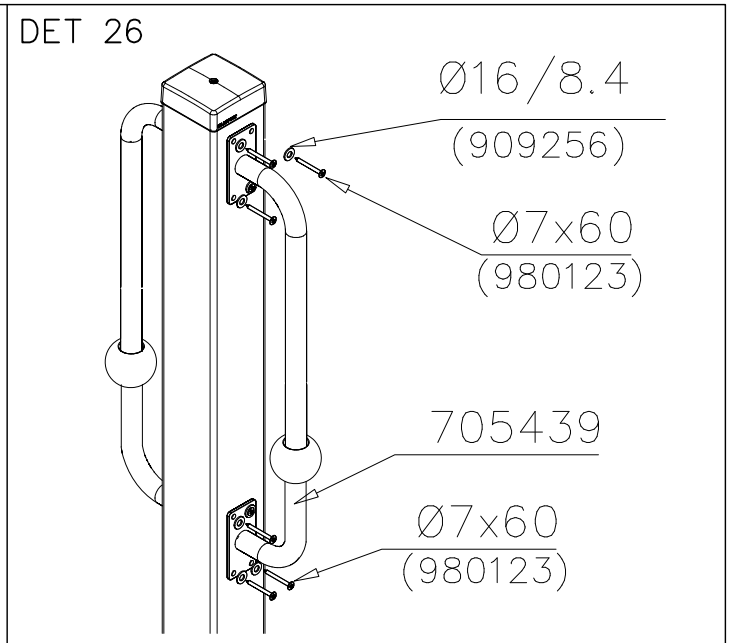
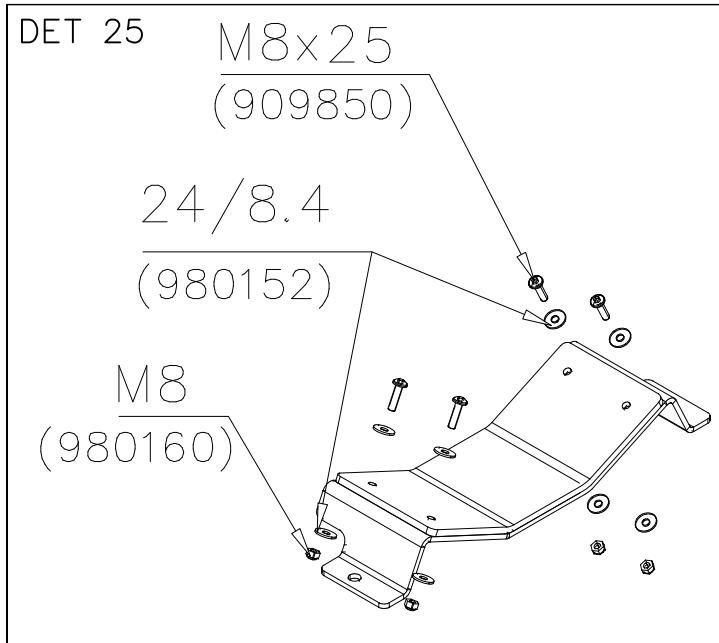
DET 17



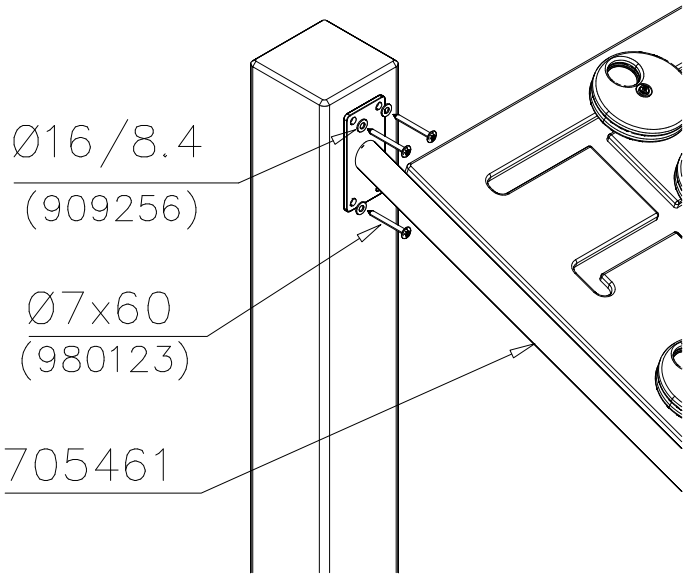
DET 18



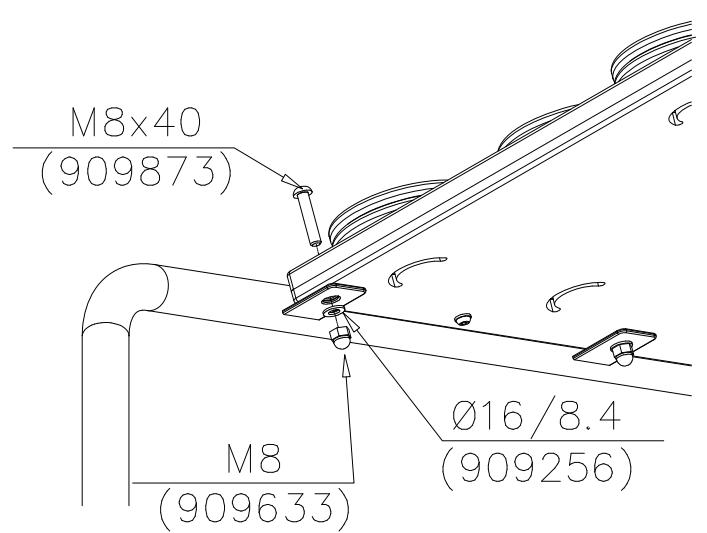
<p>DET 19</p>  <p>M10x40 (901487)</p> <p>Ø20/10.5x2 (901302)</p> <p>M10 (909637)</p>	<p>DET 20</p>  <p>M10x35 (902252)</p> <p>19x21x25 (903193)</p> <p>Ø20/10.5x2 (901302)</p> <p>M10 (909637)</p>
<p>DET 21</p>  <p>Muoviosan sijoitus (903193) Position of the plastic piece</p>	<p>DET 22</p>  <p>705433 705434</p> <p>Ø8x70 (900240)</p>
<p>DET 23</p>  <p>Ø32 (905083)</p> <p>Ø16/8.4 (980151)</p> <p>Ø22 (905112)</p> <p>M8x75 (909203)</p> <p>M8</p>	<p>DET 24</p> 



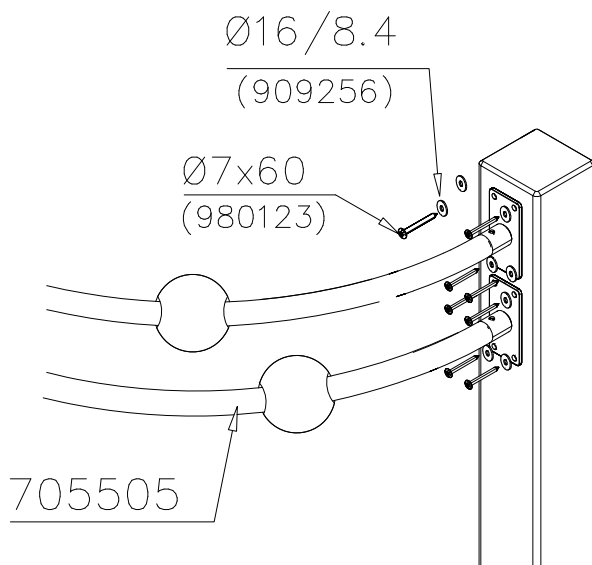
DET 31



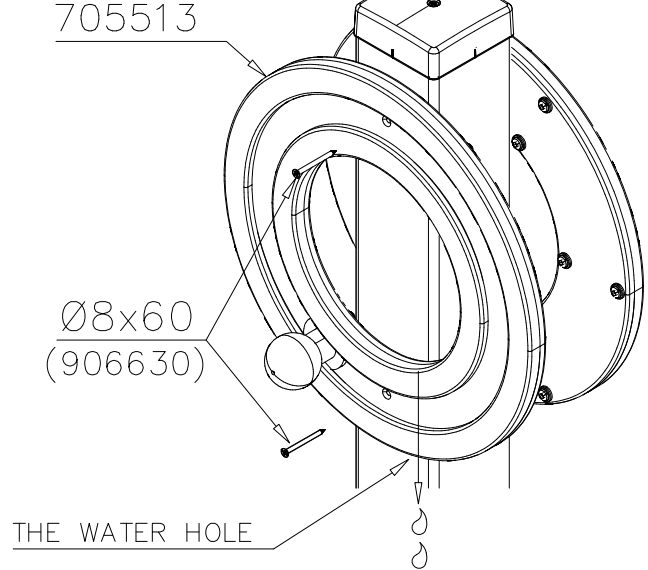
DET 32



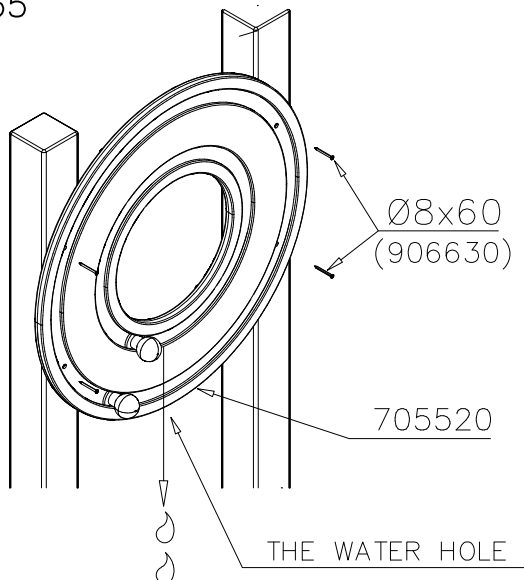
DET 33



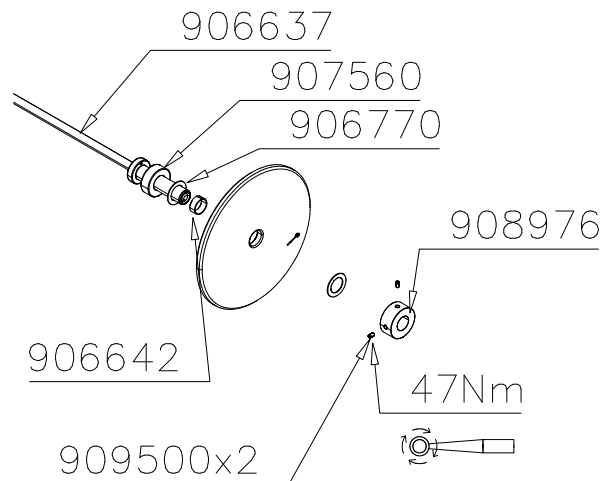
DET 34

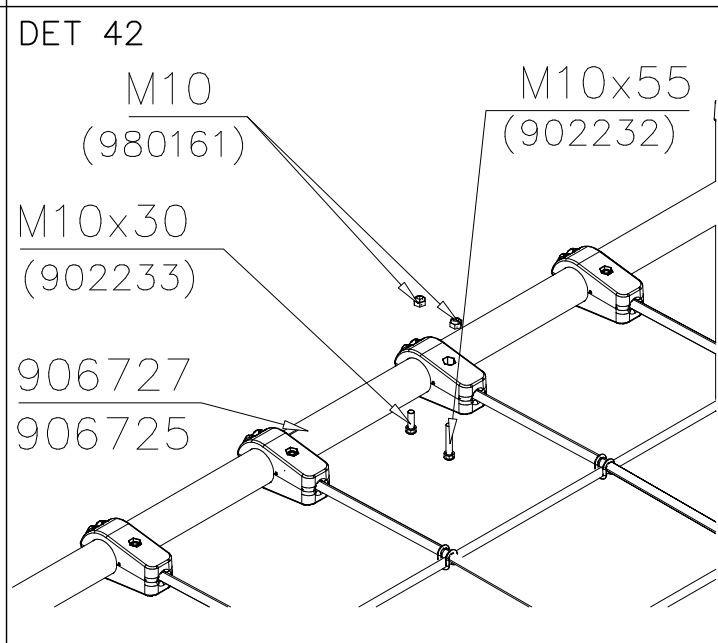
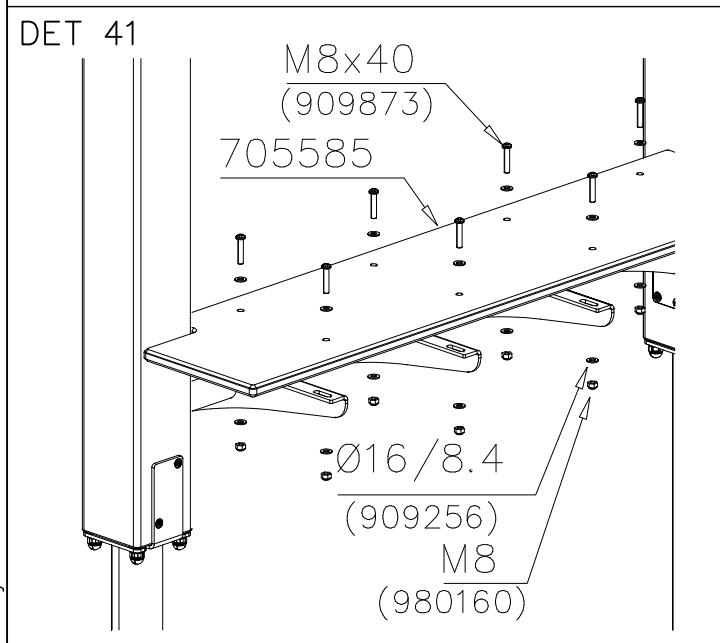
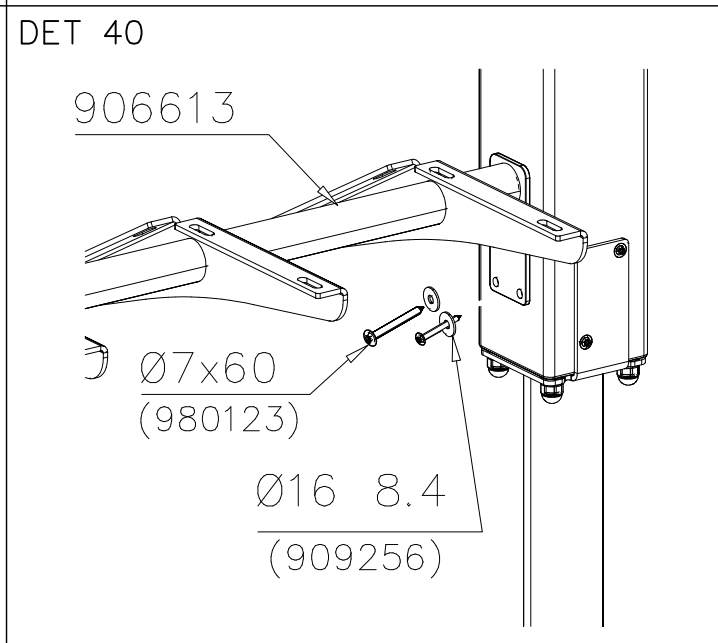
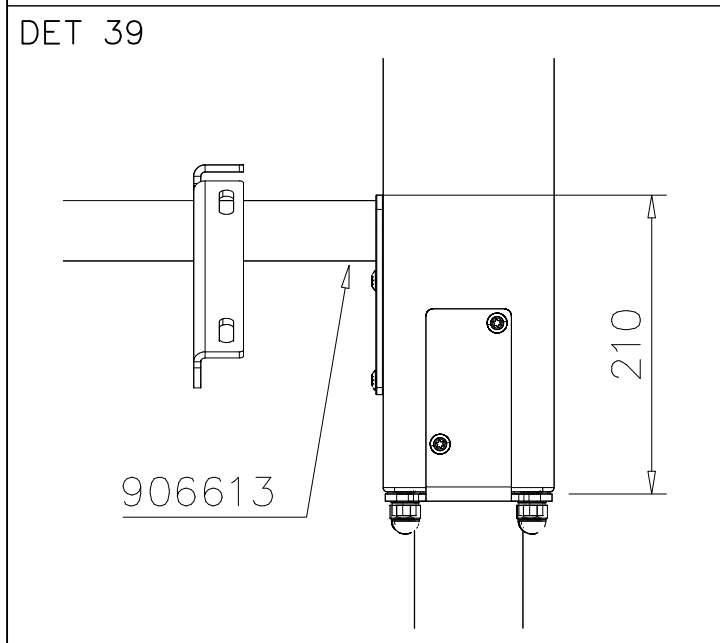
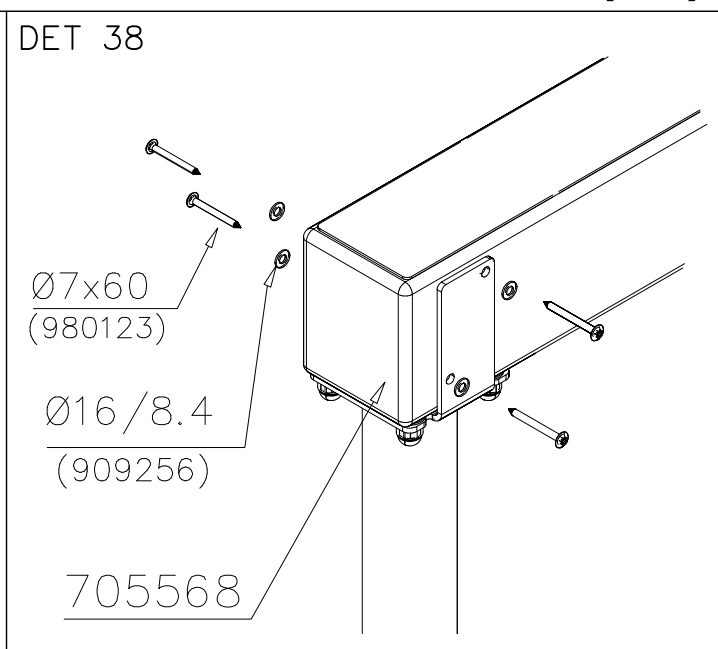
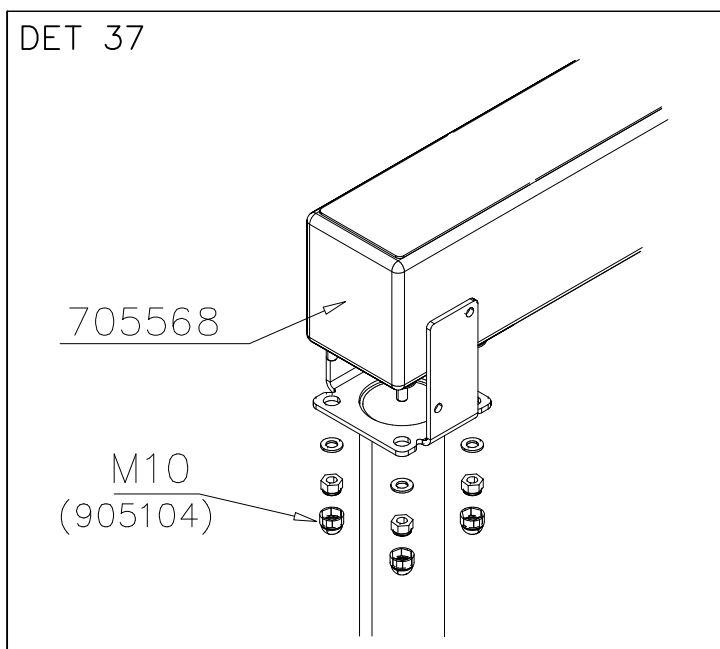


DET 35



DET 36

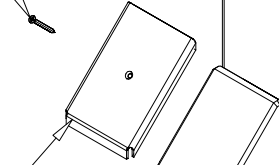




DET 43

Ø5x60
(980100)

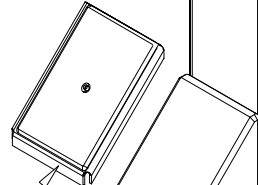
906583



DET 44

Ø5x60
(980100)

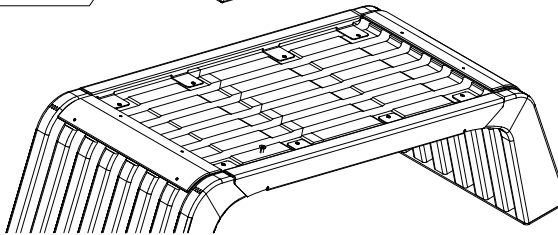
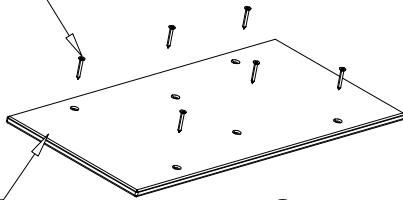
705406



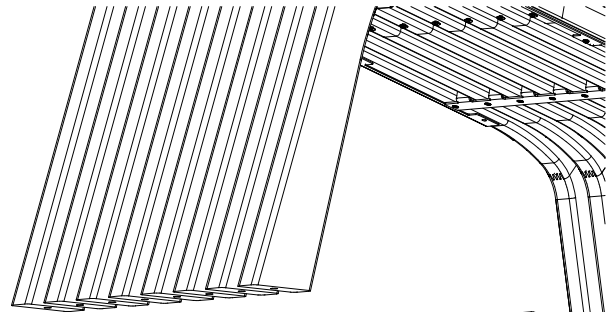
DET 45

8x60
(906630)

705098



DET 46



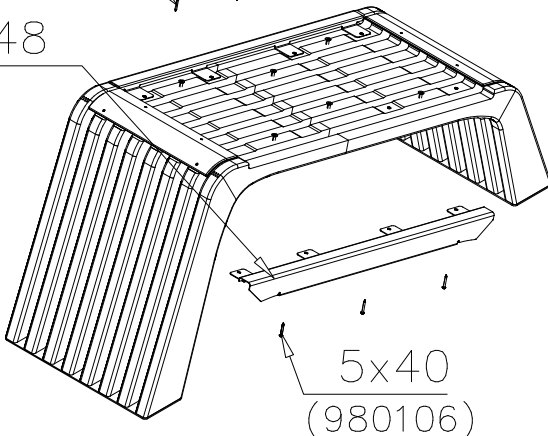
906147

Ø7x40
(980128)

DET 47

Ø5x40
(980102)

906148



5x40
(980106)

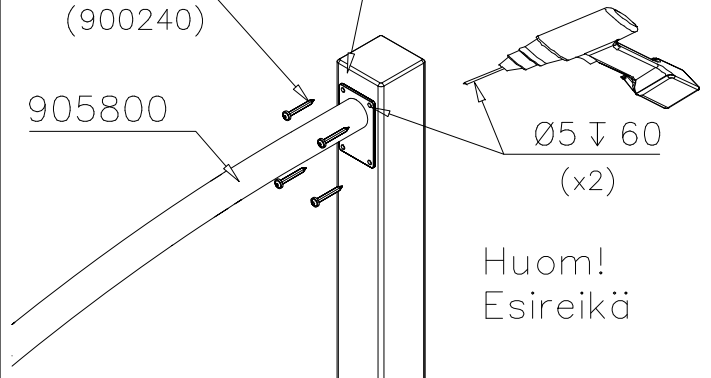
DET 48

Ø8x70
(900240)

905800

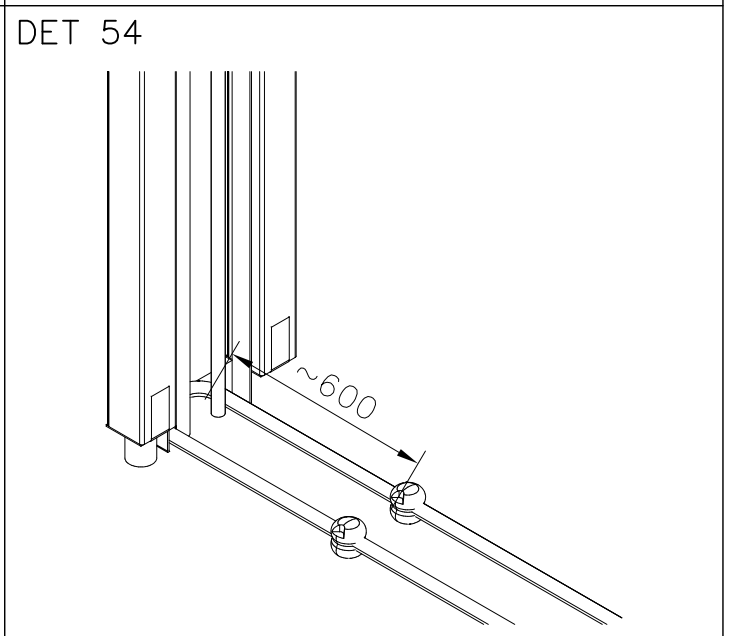
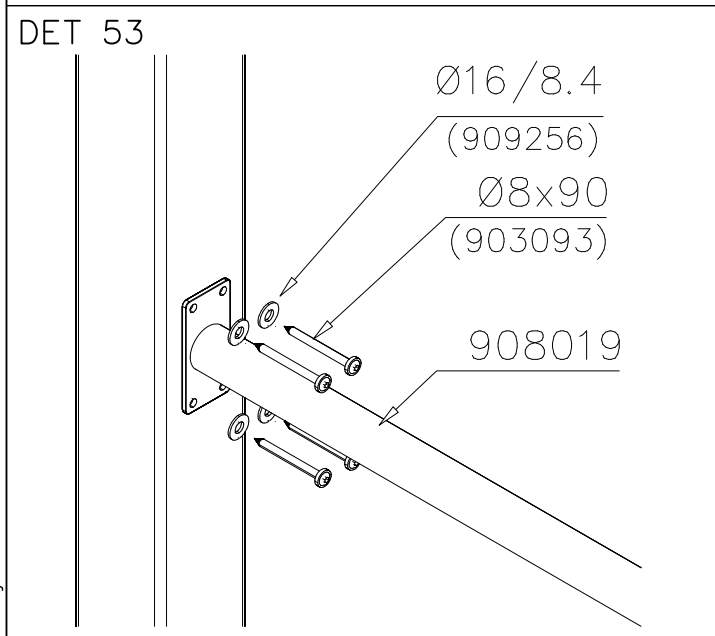
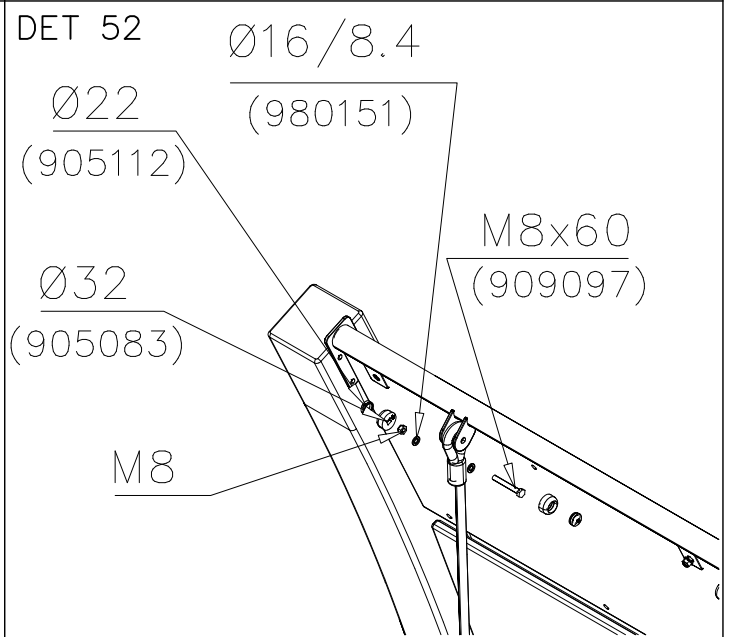
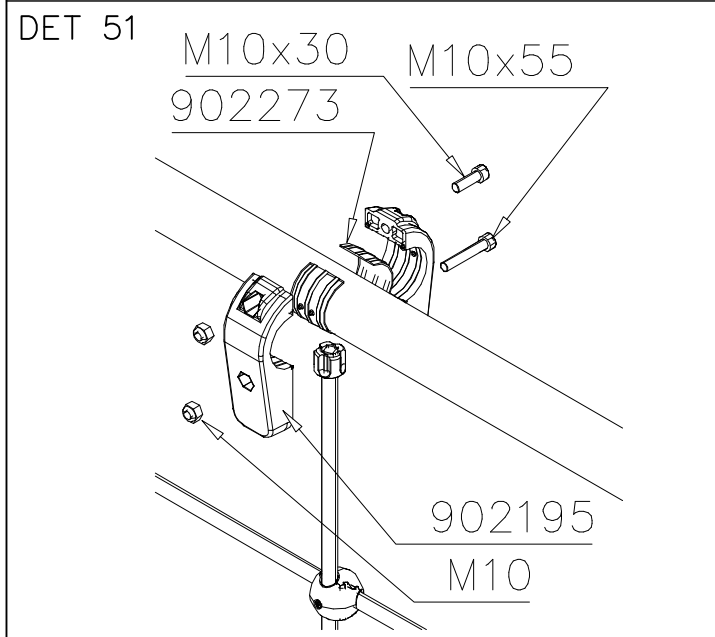
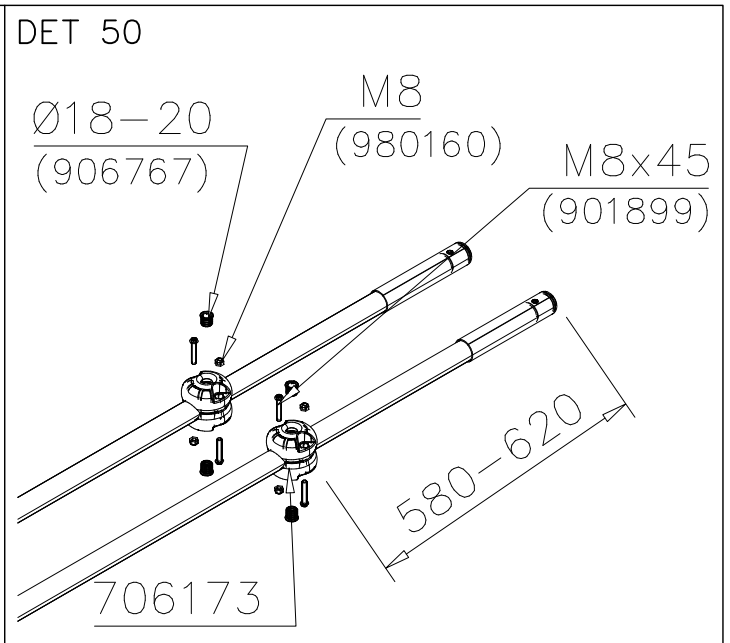
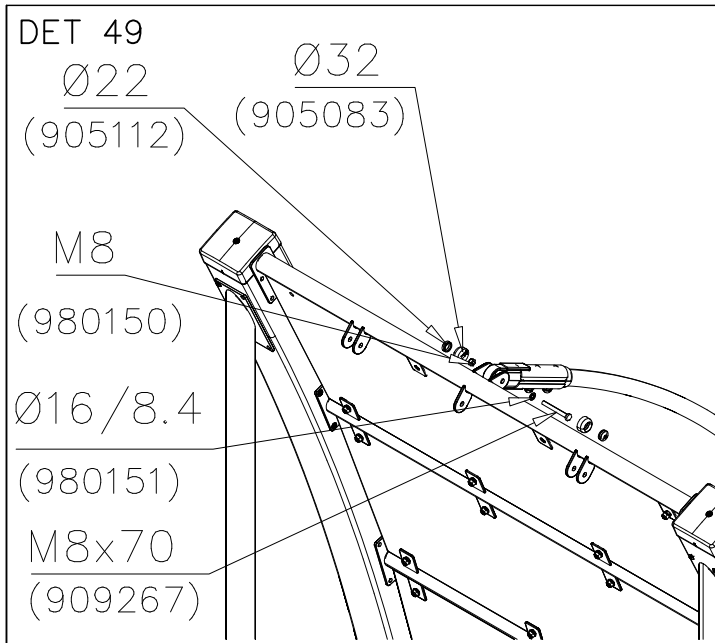
705037

Ø5 ↓ 60
(x2)

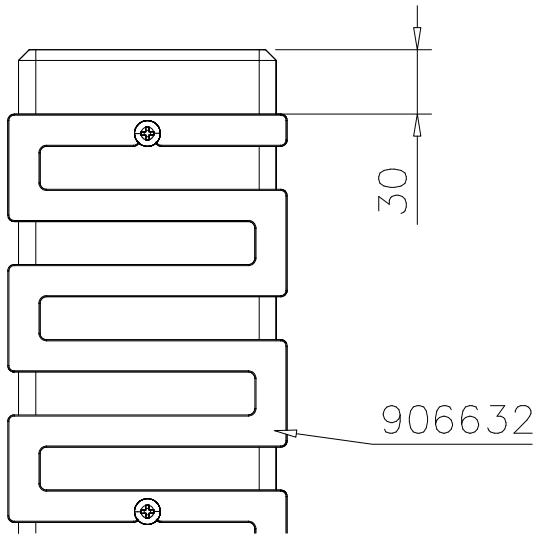


Huom!
Esireikä

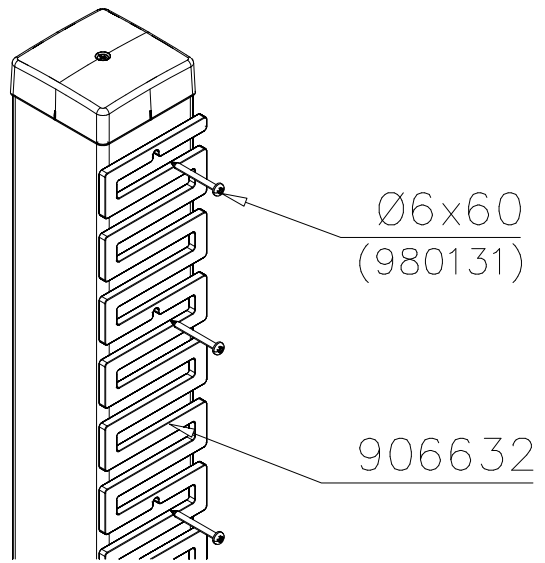
Note:
Pre-drilled
hole.



DET 55



DET 56

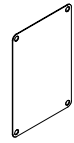



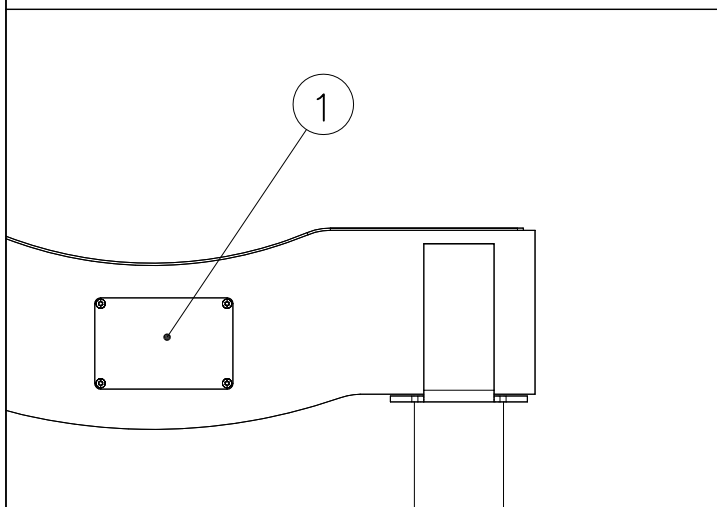
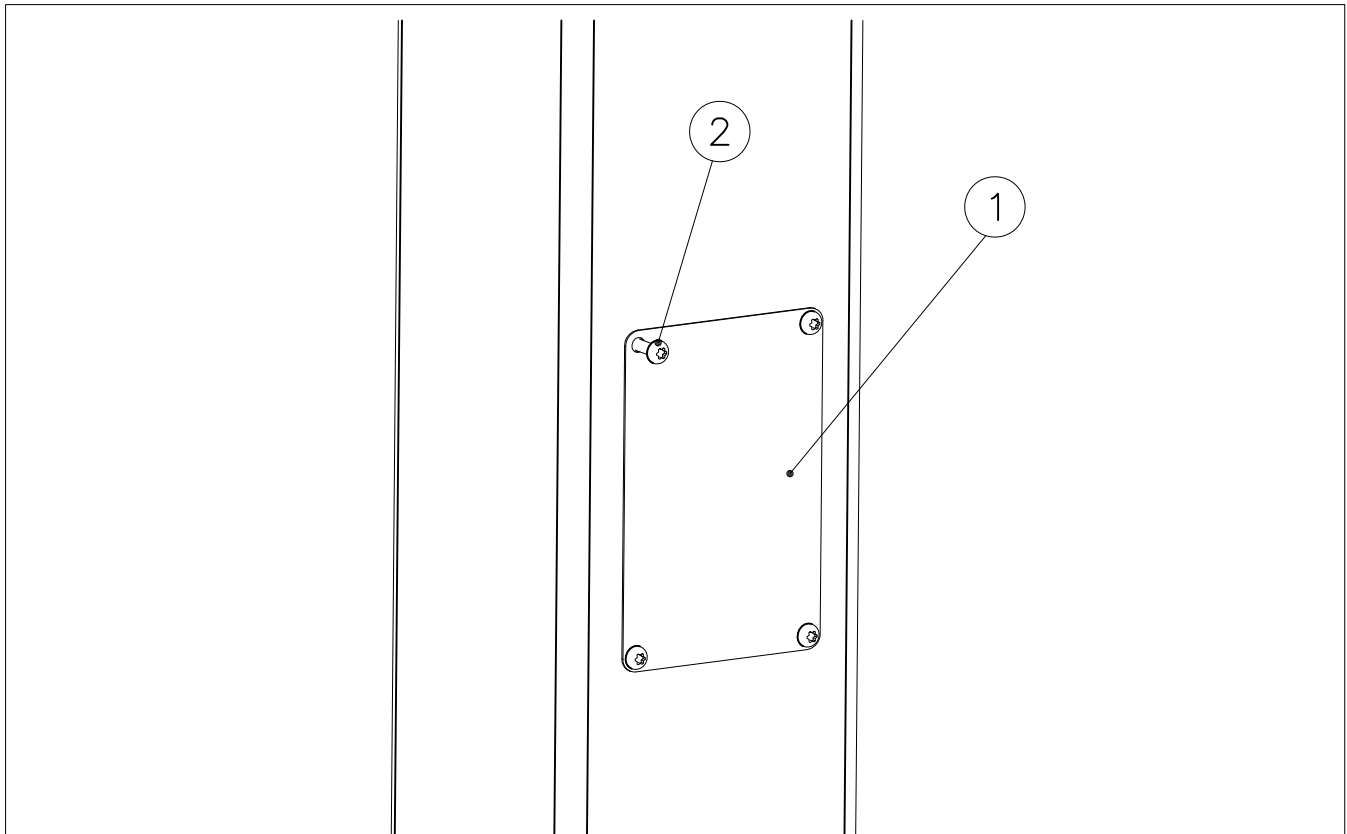
DET 57

DET 58

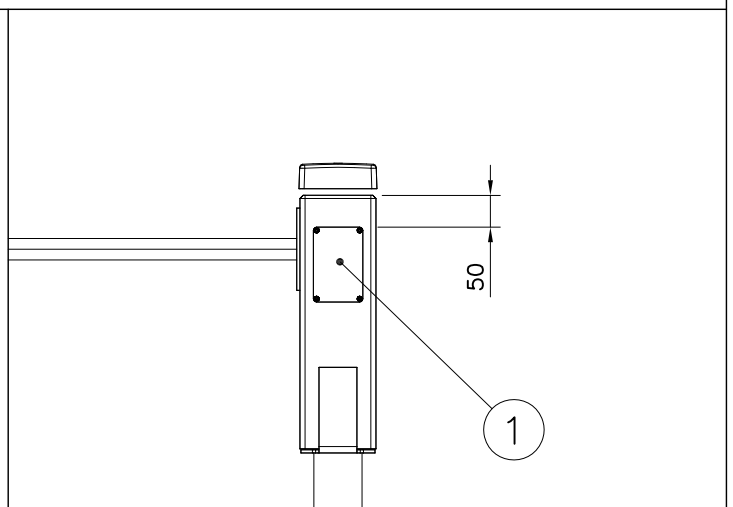
DET 59

DET 60

① SHEET METAL	PCS	② 980114	PCS
	1		4
118x78x0.7		Ø4x20	



Example installation !
Esimerkki asennus !



Example installation !
Esimerkki asennus !

