

WINAM GROUP SPORT

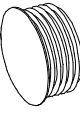

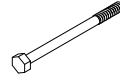
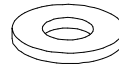
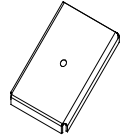

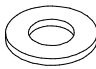
081270M

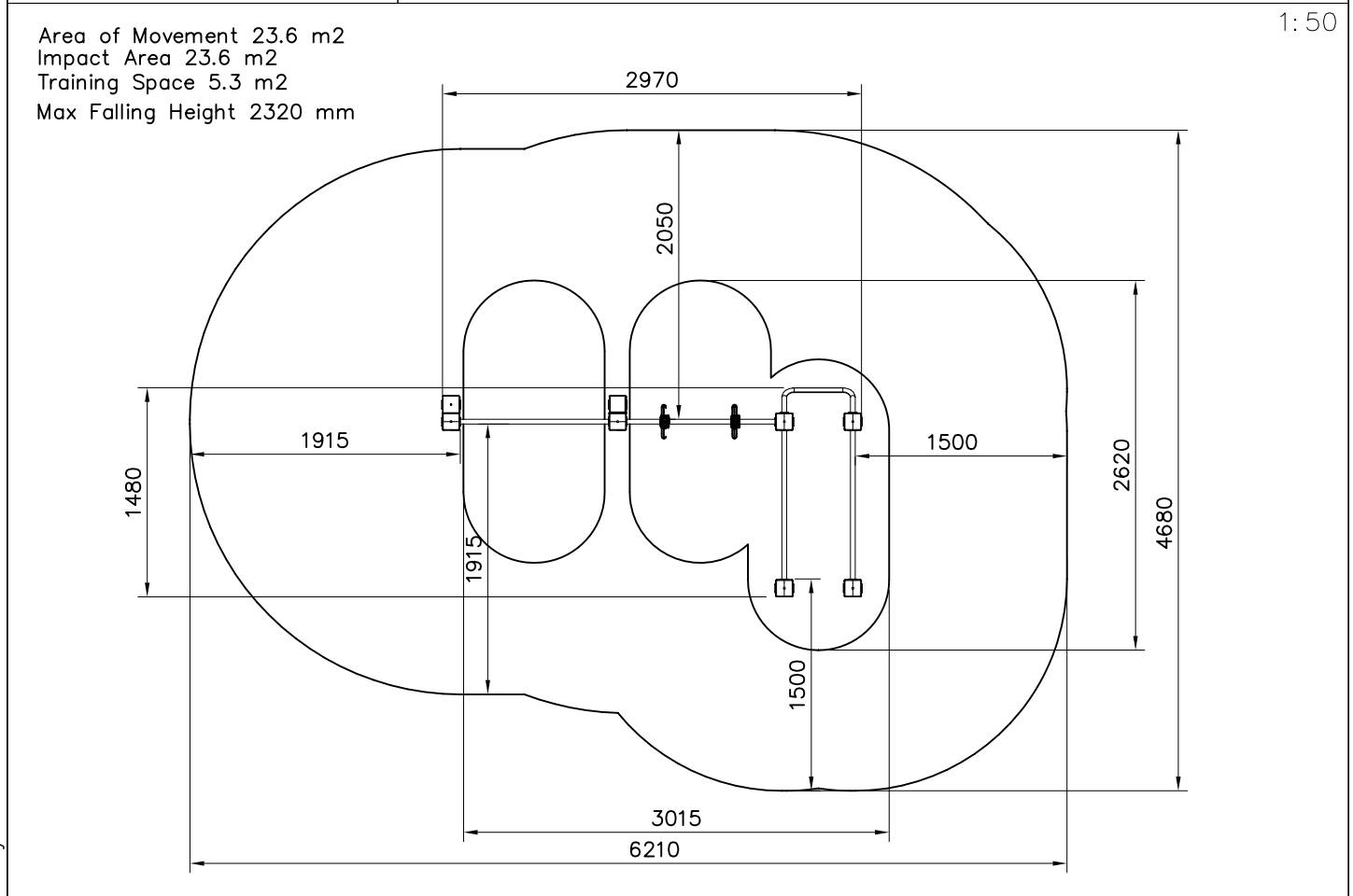
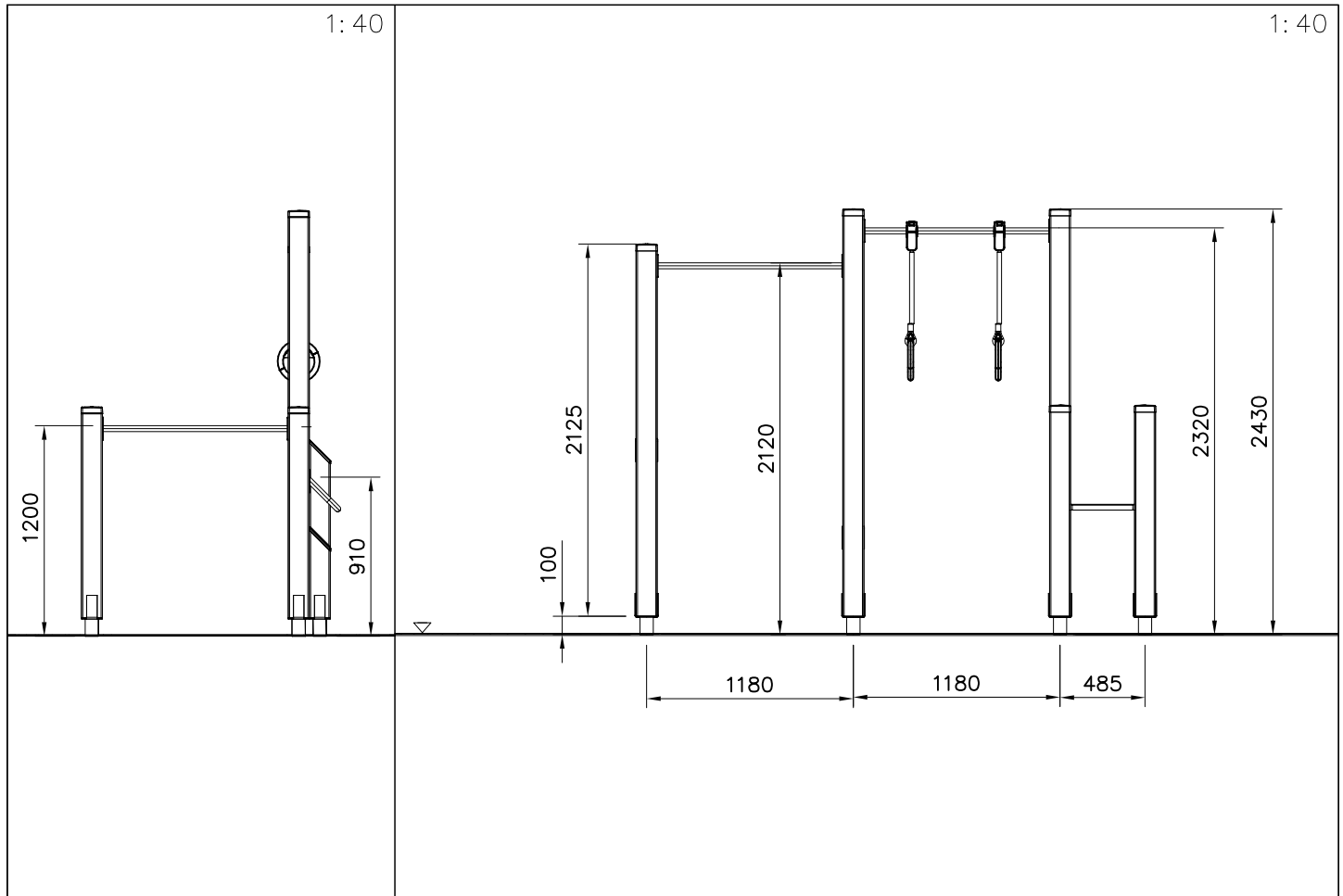
DATE: 23.8.2017

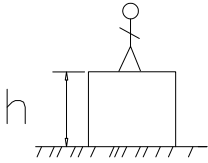



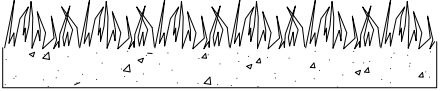
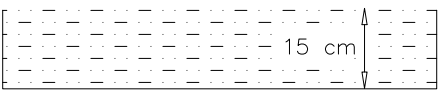
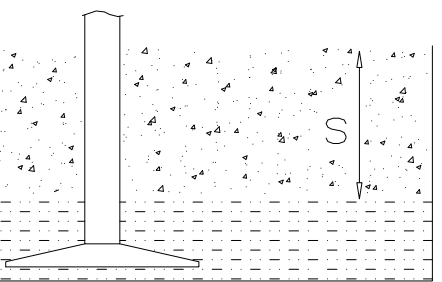
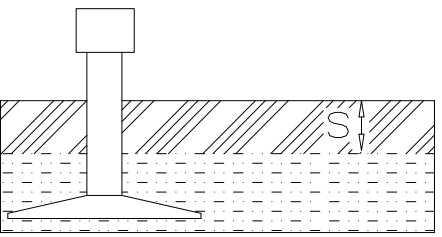


1(3)

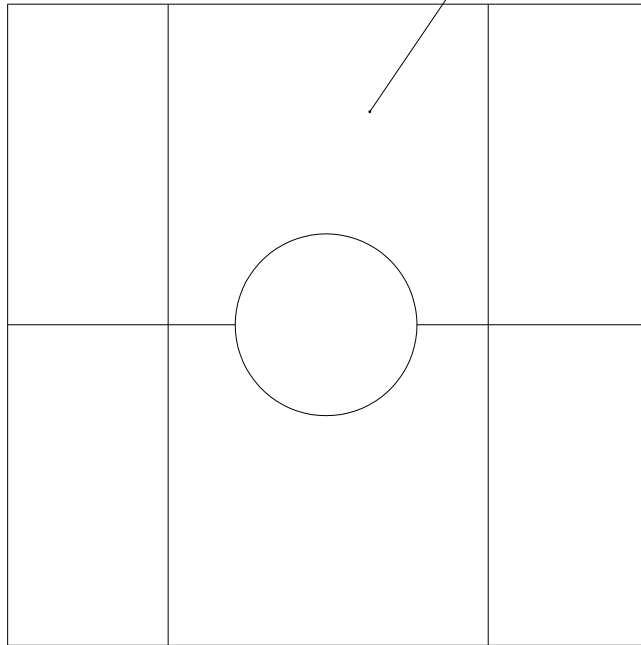
| | | | | | | | | | | | | | | | | | | | | | | | | | | | | |
|--|--------------|--------|-----|--|--------------|--------|-----|---|--------------|--------|-----|----|--|--|--|----|--|--------------|--|---|--|--------------|--|--|--|--------------|--|--|
| | | | | <table border="1"> <tr> <td>①</td> <td>706034</td> <td>PCS</td> <td></td> <td>②</td> <td>705040</td> <td>PCS</td> <td></td> </tr> <tr> <td></td> <td></td> <td></td> <td>1</td> <td></td> <td></td> <td></td> <td>2</td> </tr> <tr> <td></td> <td></td> <td></td> <td></td> <td></td> <td>Ø16x764</td> <td></td> <td></td> </tr> </table> | ① | 706034 | PCS | | ② | 705040 | PCS | | | | | 1 | | | | 2 | | | | | | Ø16x764 | | |
| | | | | ① | 706034 | PCS | | ② | 705040 | PCS | | | | | | | | | | | | | | | | | | |
| | | | | | | | 1 | | | | 2 | | | | | | | | | | | | | | | | | |
| | | | | | | | | | Ø16x764 | | | | | | | | | | | | | | | | | | | |
| | | | | <table border="1"> <tr> <td>③</td> <td>705018</td> <td>PCS</td> <td></td> <td>④</td> <td>705388</td> <td>PCS</td> <td></td> </tr> <tr> <td></td> <td></td> <td></td> <td>3</td> <td></td> <td></td> <td></td> <td>1</td> </tr> <tr> <td></td> <td>120x120x1170</td> <td></td> <td></td> <td></td> <td>120x120x2090</td> <td></td> <td></td> </tr> </table> | ③ | 705018 | PCS | | ④ | 705388 | PCS | | | | | 3 | | | | 1 | | 120x120x1170 | | | | 120x120x2090 | | |
| | | | | ③ | 705018 | PCS | | ④ | 705388 | PCS | | | | | | | | | | | | | | | | | | |
| | | | | | | | 3 | | | | 1 | | | | | | | | | | | | | | | | | |
| | | | | | 120x120x1170 | | | | 120x120x2090 | | | | | | | | | | | | | | | | | | | |
| | | | | <table border="1"> <tr> <td>⑤</td> <td>902195</td> <td>PCS</td> <td></td> <td>⑥</td> <td>902232</td> <td>PCS</td> <td></td> </tr> <tr> <td></td> <td></td> <td></td> <td>4</td> <td></td> <td></td> <td></td> <td>2</td> </tr> <tr> <td></td> <td>150x50x50</td> <td></td> <td></td> <td></td> <td>M10x55</td> <td></td> <td></td> </tr> </table> | ⑤ | 902195 | PCS | | ⑥ | 902232 | PCS | | | | | 4 | | | | 2 | | 150x50x50 | | | | M10x55 | | |
| | | | | ⑤ | 902195 | PCS | | ⑥ | 902232 | PCS | | | | | | | | | | | | | | | | | | |
| | | | | | | | 4 | | | | 2 | | | | | | | | | | | | | | | | | |
| | | | | | 150x50x50 | | | | M10x55 | | | | | | | | | | | | | | | | | | | |
| | | | | <table border="1"> <tr> <td>⑦</td> <td>902233</td> <td>PCS</td> <td></td> <td>⑧</td> <td>706089</td> <td>PCS</td> <td></td> </tr> <tr> <td></td> <td></td> <td></td> <td>2</td> <td></td> <td></td> <td></td> <td>1</td> </tr> <tr> <td></td> <td>M10x30</td> <td></td> <td></td> <td></td> <td></td> <td></td> <td></td> </tr> </table> | ⑦ | 902233 | PCS | | ⑧ | 706089 | PCS | | | | | 2 | | | | 1 | | M10x30 | | | | | | |
| | | | | ⑦ | 902233 | PCS | | ⑧ | 706089 | PCS | | | | | | | | | | | | | | | | | | |
| | | | | | | | 2 | | | | 1 | | | | | | | | | | | | | | | | | |
| | | | | | M10x30 | | | | | | | | | | | | | | | | | | | | | | | |
| | | | | <table border="1"> <tr> <td>⑨</td> <td>905104</td> <td>PCS</td> <td></td> <td>⑩</td> <td>905761</td> <td>PCS</td> <td></td> </tr> <tr> <td></td> <td></td> <td></td> <td>32</td> <td></td> <td></td> <td></td> <td>8</td> </tr> <tr> <td></td> <td>M10</td> <td></td> <td></td> <td></td> <td>120x120x700</td> <td></td> <td></td> </tr> </table> | ⑨ | 905104 | PCS | | ⑩ | 905761 | PCS | | | | | 32 | | | | 8 | | M10 | | | | 120x120x700 | | |
| | | | | ⑨ | 905104 | PCS | | ⑩ | 905761 | PCS | | | | | | | | | | | | | | | | | | |
| | | | | | | | 32 | | | | 8 | | | | | | | | | | | | | | | | | |
| | | | | | M10 | | | | 120x120x700 | | | | | | | | | | | | | | | | | | | |
| | | | | <table border="1"> <tr> <td>⑪</td> <td>905830</td> <td>PCS</td> <td></td> <td>⑫</td> <td>905838</td> <td>PCS</td> <td></td> </tr> <tr> <td></td> <td></td> <td></td> <td>6</td> <td></td> <td></td> <td></td> <td>4</td> </tr> <tr> <td></td> <td>123x123x40</td> <td></td> <td></td> <td></td> <td>L=1060</td> <td></td> <td></td> </tr> </table> | ⑪ | 905830 | PCS | | ⑫ | 905838 | PCS | | | | | 6 | | | | 4 | | 123x123x40 | | | | L=1060 | | |
| | | | | ⑪ | 905830 | PCS | | ⑫ | 905838 | PCS | | | | | | | | | | | | | | | | | | |
| | | | | | | | 6 | | | | 4 | | | | | | | | | | | | | | | | | |
| | 123x123x40 | | | | L=1060 | | | | | | | | | | | | | | | | | | | | | | | |
| <table border="1"> <tr> <td>⑬</td> <td>705335</td> <td>PCS</td> <td></td> <td>⑭</td> <td>705402</td> <td>PCS</td> <td></td> </tr> <tr> <td></td> <td></td> <td></td> <td>1</td> <td></td> <td></td> <td></td> <td>1</td> </tr> <tr> <td></td> <td>120x120x1000</td> <td></td> <td></td> <td></td> <td>120x120x2290</td> <td></td> <td></td> </tr> </table> | ⑬ | 705335 | PCS | | ⑭ | 705402 | PCS | | | | | 1 | | | | 1 | | 120x120x1000 | | | | 120x120x2290 | | | | | | |
| ⑬ | 705335 | PCS | | ⑭ | 705402 | PCS | | | | | | | | | | | | | | | | | | | | | | |
| | | | 1 | | | | 1 | | | | | | | | | | | | | | | | | | | | | |
| | 120x120x1000 | | | | 120x120x2290 | | | | | | | | | | | | | | | | | | | | | | | |
| <table border="1"> <tr> <td>⑮</td> <td>905934</td> <td>PCS</td> <td></td> <td>⑯</td> <td>906006</td> <td>PCS</td> <td></td> </tr> <tr> <td></td> <td></td> <td></td> <td>1</td> <td></td> <td></td> <td></td> <td>4</td> </tr> <tr> <td></td> <td>L=485</td> <td></td> <td></td> <td></td> <td>Ø64/34,5x59</td> <td></td> <td></td> </tr> </table> | ⑮ | 905934 | PCS | | ⑯ | 906006 | PCS | | | | | 1 | | | | 4 | | L=485 | | | | Ø64/34,5x59 | | | | | | |
| ⑮ | 905934 | PCS | | ⑯ | 906006 | PCS | | | | | | | | | | | | | | | | | | | | | | |
| | | | 1 | | | | 4 | | | | | | | | | | | | | | | | | | | | | |
| | L=485 | | | | Ø64/34,5x59 | | | | | | | | | | | | | | | | | | | | | | | |
| <table border="1"> <tr> <td>⑰</td> <td>706090</td> <td>PCS</td> <td></td> <td>⑱</td> <td>705406</td> <td>PCS</td> <td></td> </tr> <tr> <td></td> <td></td> <td></td> <td>1</td> <td></td> <td></td> <td></td> <td>1</td> </tr> <tr> <td></td> <td></td> <td></td> <td></td> <td></td> <td>126x181x18</td> <td></td> <td></td> </tr> </table> | ⑰ | 706090 | PCS | | ⑱ | 705406 | PCS | | | | | 1 | | | | 1 | | | | | | 126x181x18 | | | | | | |
| ⑰ | 706090 | PCS | | ⑱ | 705406 | PCS | | | | | | | | | | | | | | | | | | | | | | |
| | | | 1 | | | | 1 | | | | | | | | | | | | | | | | | | | | | |
| | | | | | 126x181x18 | | | | | | | | | | | | | | | | | | | | | | | |
| <table border="1"> <tr> <td>⑲</td> <td>705405</td> <td>PCS</td> <td></td> <td>⑳</td> <td>980104</td> <td>PCS</td> <td></td> </tr> <tr> <td></td> <td></td> <td></td> <td>1</td> <td></td> <td></td> <td></td> <td>6</td> </tr> <tr> <td></td> <td>120x120x500</td> <td></td> <td></td> <td></td> <td>Ø5x90</td> <td></td> <td></td> </tr> </table> | ⑲ | 705405 | PCS | | ⑳ | 980104 | PCS | | | | | 1 | | | | 6 | | 120x120x500 | | | | Ø5x90 | | | | | | |
| ⑲ | 705405 | PCS | | ⑳ | 980104 | PCS | | | | | | | | | | | | | | | | | | | | | | |
| | | | 1 | | | | 6 | | | | | | | | | | | | | | | | | | | | | |
| | 120x120x500 | | | | Ø5x90 | | | | | | | | | | | | | | | | | | | | | | | |
| <table border="1"> <tr> <td>㉑</td> <td>980123</td> <td>PCS</td> <td></td> <td>㉒</td> <td>980161</td> <td>PCS</td> <td></td> </tr> <tr> <td></td> <td></td> <td></td> <td>72</td> <td></td> <td></td> <td></td> <td>4</td> </tr> <tr> <td></td> <td>Ø7x60</td> <td></td> <td></td> <td></td> <td>M10</td> <td></td> <td></td> </tr> </table> | ㉑ | 980123 | PCS | | ㉒ | 980161 | PCS | | | | | 72 | | | | 4 | | Ø7x60 | | | | M10 | | | | | | |
| ㉑ | 980123 | PCS | | ㉒ | 980161 | PCS | | | | | | | | | | | | | | | | | | | | | | |
| | | | 72 | | | | 4 | | | | | | | | | | | | | | | | | | | | | |
| | Ø7x60 | | | | M10 | | | | | | | | | | | | | | | | | | | | | | | |
| <table border="1"> <tr> <td>㉓</td> <td>705320</td> <td>PCS</td> <td></td> <td></td> <td></td> <td></td> <td></td> </tr> <tr> <td></td> <td></td> <td></td> <td>1</td> <td></td> <td></td> <td></td> <td></td> </tr> <tr> <td></td> <td>120x120x2290</td> <td></td> <td></td> <td></td> <td></td> <td></td> <td></td> </tr> </table> | ㉓ | 705320 | PCS | | | | | | | | | 1 | | | | | | 120x120x2290 | | | | | | | | | | |
| ㉓ | 705320 | PCS | | | | | | | | | | | | | | | | | | | | | | | | | | |
| | | | 1 | | | | | | | | | | | | | | | | | | | | | | | | | |
| | 120x120x2290 | | | | | | | | | | | | | | | | | | | | | | | | | | | |

| | | | | | | | | | | | |
|--|----------------------|---|---------------------|---|---------------------|--|---------------------|---|---------------------|---|----------------------|
| <p>②④ 905103</p>  <p>PT-28/32-H</p> | <p>PCS</p> <p>4</p> | <p>②⑤ 980100</p>  <p>Ø5x60</p> | <p>PCS</p> <p>2</p> | <p>②⑥ 909246</p>  <p>M12x140</p> | <p>PCS</p> <p>4</p> | <p>②⑦ 980154</p>  <p>Ø24/13</p> | <p>PCS</p> <p>4</p> | <p>②⑧ 906583</p>  <p>126x181x14x3</p> | <p>PCS</p> <p>1</p> | <p>②⑨ 980114</p>  <p>Ø4x20</p> | <p>PCS</p> <p>12</p> |
| <p>③⑩ 909256</p>  <p>Ø16/8.4</p> | <p>PCS</p> <p>72</p> | | | | | | | | | | |

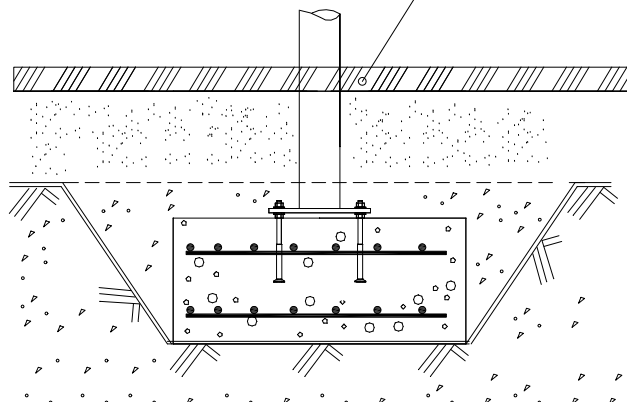


| | | | | | | | | | | | | |
|---|--|---|-----------------|-----------------|----------------|---------|----------------|---------|----------------|-------|----------------|---|
|  | | | | | | | | | | | | |
| <p>$h < 600$</p> <p>Without movement and therefore without Impact Area</p> | <p>Totally hard surfaces.</p> <p>Note. Lappset does <u>not recommend</u> totally hard surfaces at all.</p> | <p>E.g. concrete or asphalt</p>  | | | | | | | | | | |
| <p>$h < 600$</p> <p>With movement e.g. rocking</p> | <p>Materials with very limited impact attenuating properties.</p> | <p>E.g. wood</p>  | | | | | | | | | | |
| <p>$h < 1000$</p> | <p>Materials with significant impact attenuating properties.</p> | <p>fine gravel 0–8 mm</p>  <p>grass</p>  <p>unsorted sand</p>  | | | | | | | | | | |
| <p>$h < 3000$</p> | <p>Loose fill material</p> <p>E.g. sand/gravel 0,25...8 mm D60/D10<3,0 Woodchips 5...30 mm bark 20...80 mm</p> |  <table data-bbox="1024 1691 1332 1792"> <tr> <td>\underline{S}</td> <td>\underline{h}</td> </tr> <tr> <td>30 cm</td> <td>< 2,0 m</td> </tr> <tr> <td>40 cm</td> <td>< 3,0 m</td> </tr> </table> | \underline{S} | \underline{h} | 30 cm | < 2,0 m | 40 cm | < 3,0 m | | | | |
| \underline{S} | \underline{h} | | | | | | | | | | | |
| 30 cm | < 2,0 m | | | | | | | | | | | |
| 40 cm | < 3,0 m | | | | | | | | | | | |
| | <p>Syntethic granulates</p> <table data-bbox="406 1892 758 2060"> <tr> <td>\underline{S}</td> <td>\underline{h}</td> </tr> <tr> <td>40 mm</td> <td>~> 1,2...1,3 m</td> </tr> <tr> <td>50 mm</td> <td>~> 1,5...1,7 m</td> </tr> <tr> <td>60 mm</td> <td>~> 1,8...2,0 m</td> </tr> <tr> <td>70 mm</td> <td>~> 2,1...2,5 m</td> </tr> </table> <p>Note. For accurate values, see manufacturer's instructions.</p> | \underline{S} | \underline{h} | 40 mm | ~> 1,2...1,3 m | 50 mm | ~> 1,5...1,7 m | 60 mm | ~> 1,8...2,0 m | 70 mm | ~> 2,1...2,5 m |  |
| \underline{S} | \underline{h} | | | | | | | | | | | |
| 40 mm | ~> 1,2...1,3 m | | | | | | | | | | | |
| 50 mm | ~> 1,5...1,7 m | | | | | | | | | | | |
| 60 mm | ~> 1,8...2,0 m | | | | | | | | | | | |
| 70 mm | ~> 2,1...2,5 m | | | | | | | | | | | |

REMOVE SAFETY SURFACE/SAND/GRAVEL
TO CHECK FOUNDATION

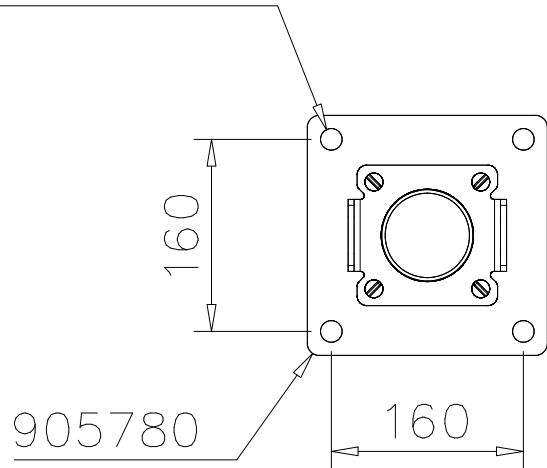


REMOVE SAFETY SURFACE/SAND/GRAVEL
TO CHECK FOUNDATION

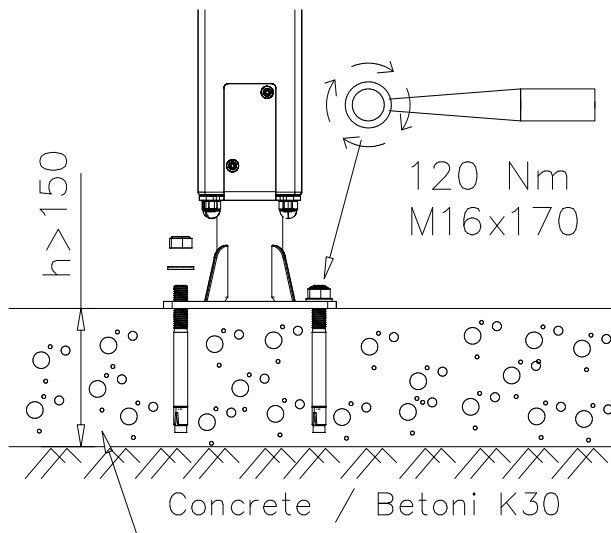


DET 1

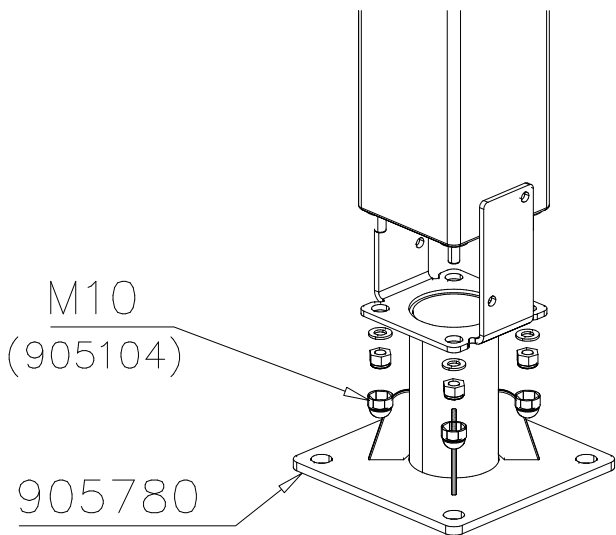
$\varnothing 16 \downarrow > 130$



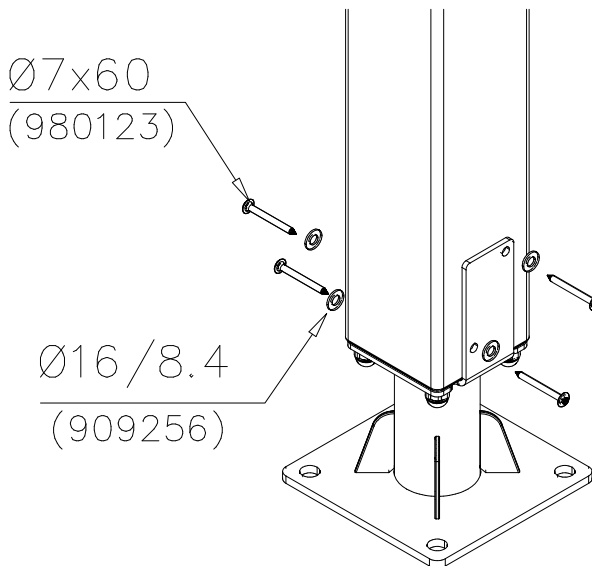
DET 2



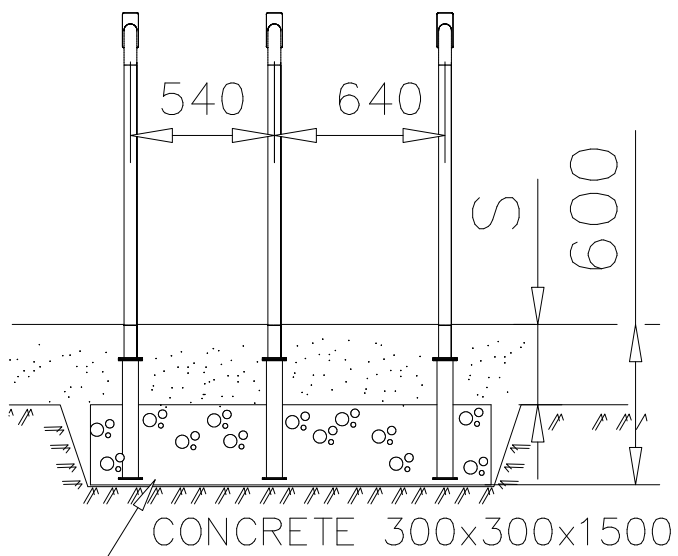
DET 3



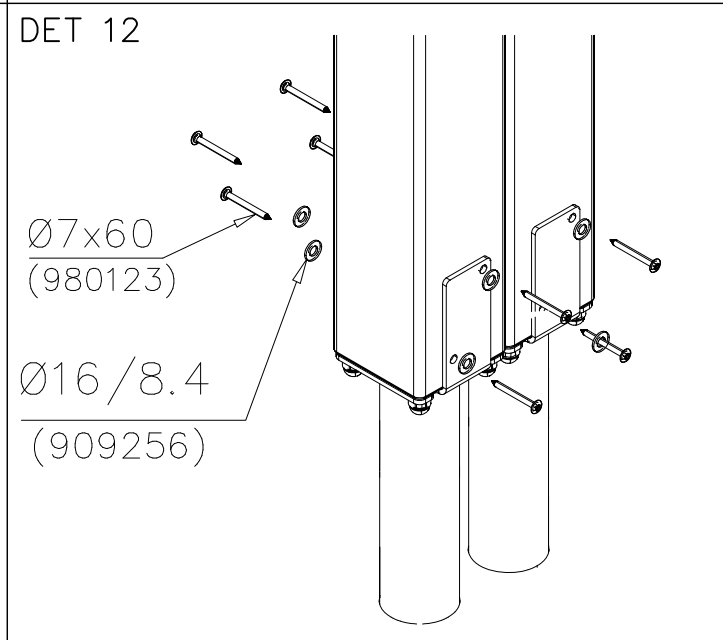
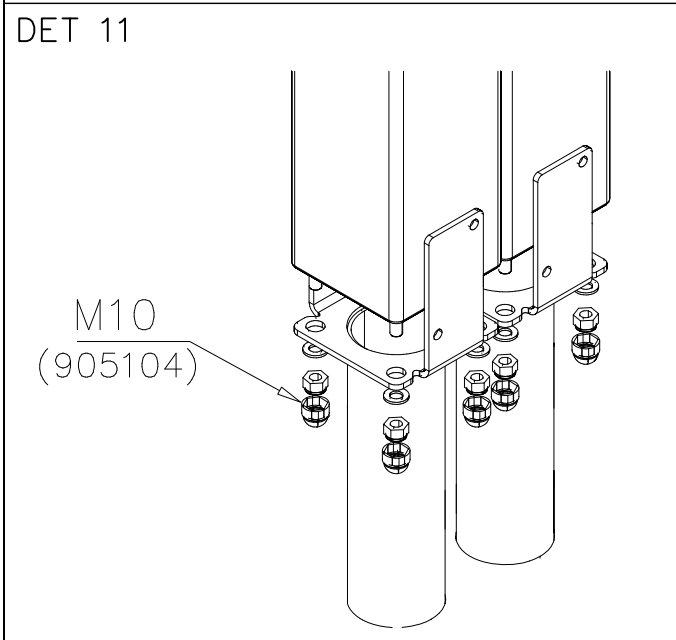
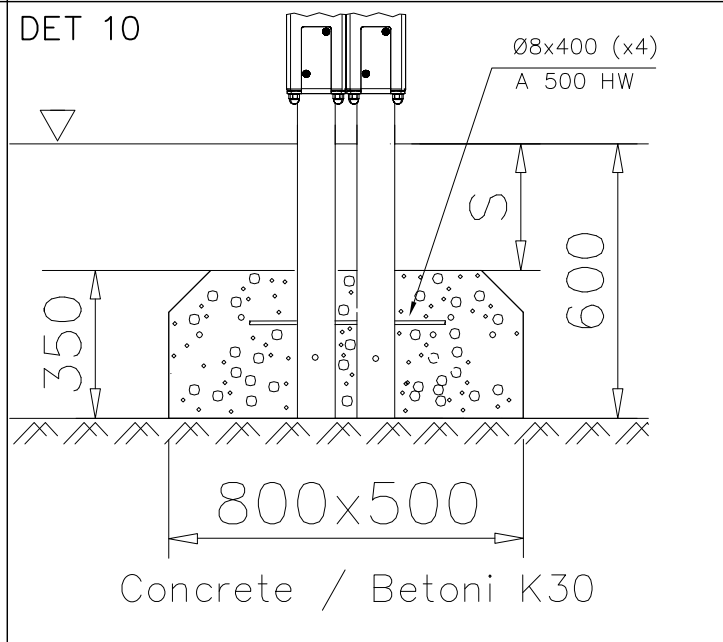
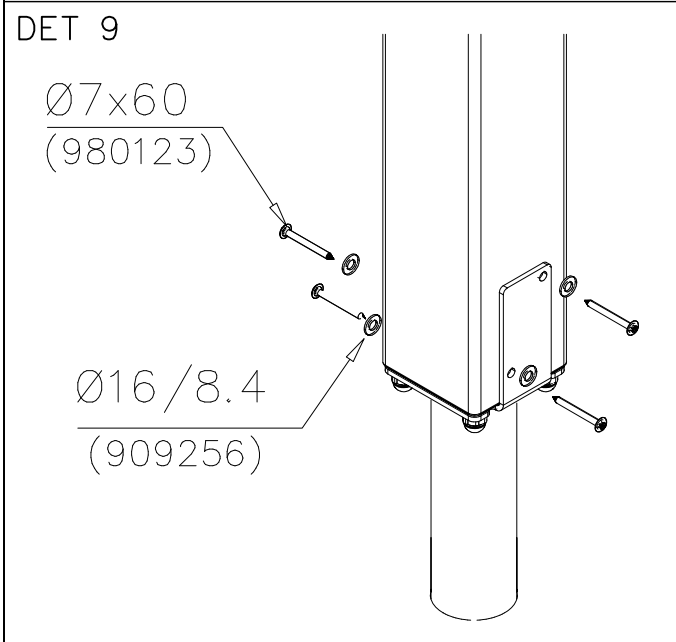
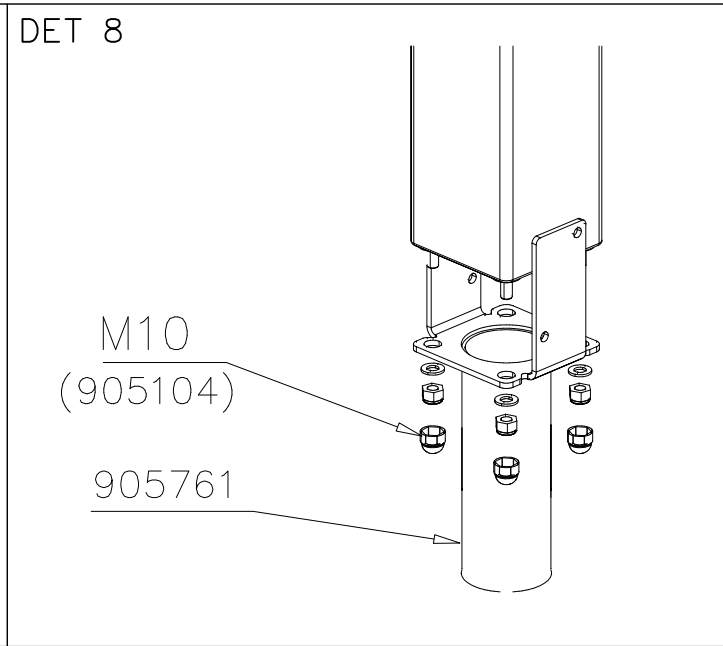
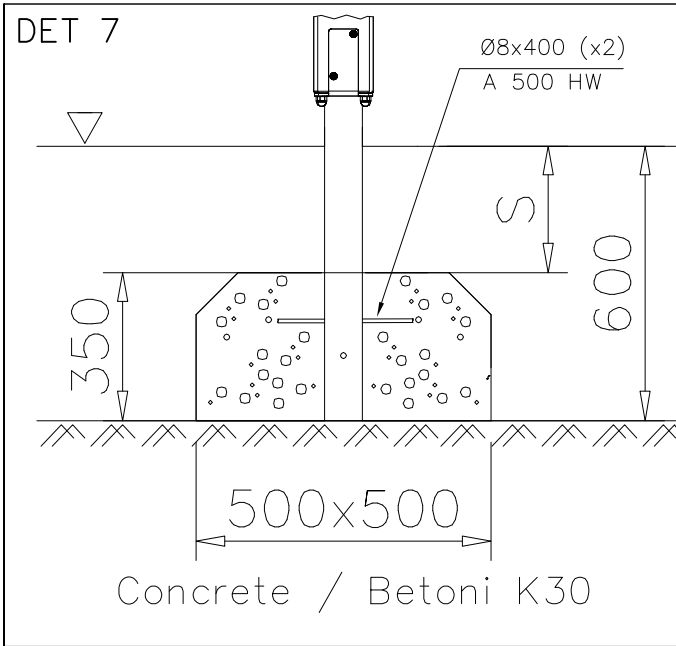
DET 4

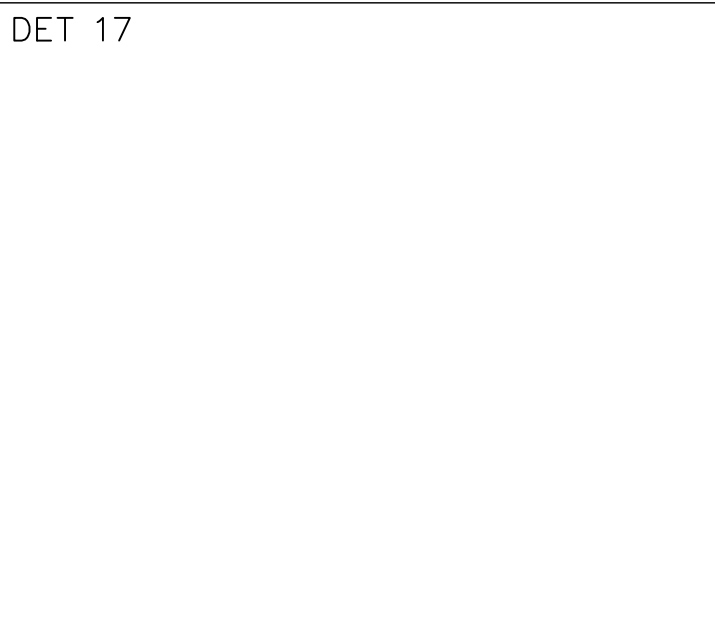
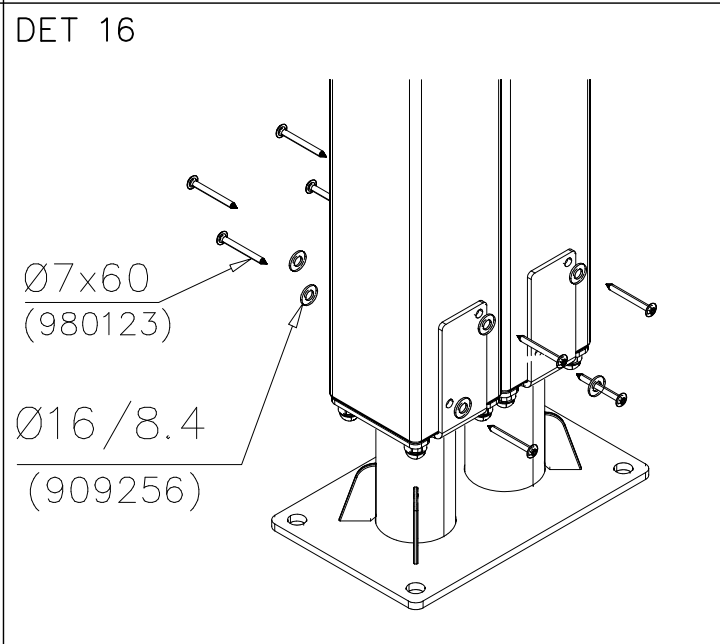
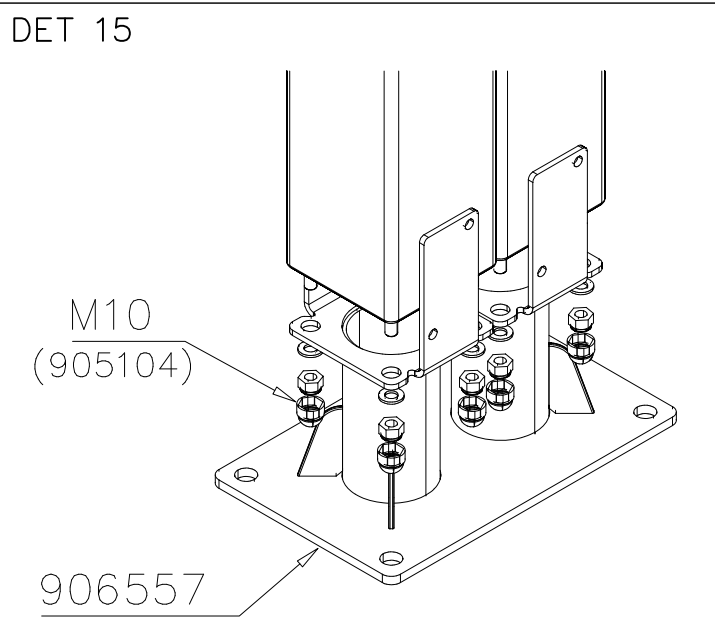
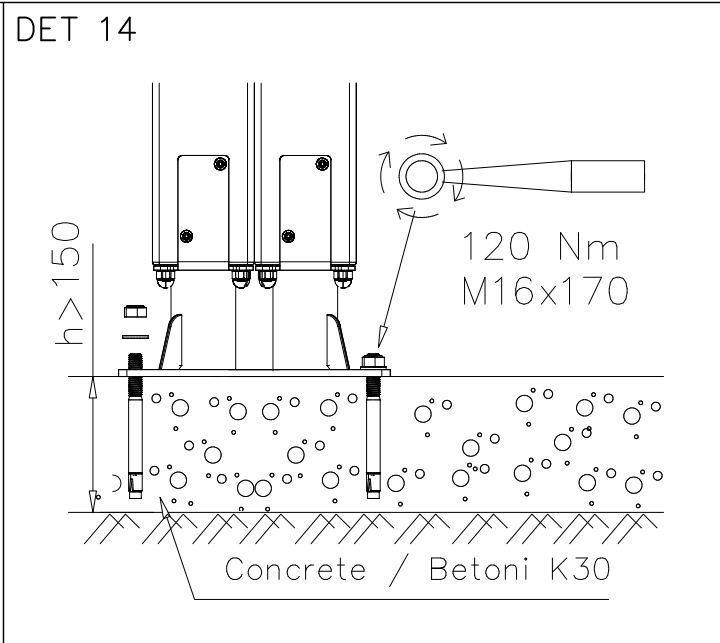
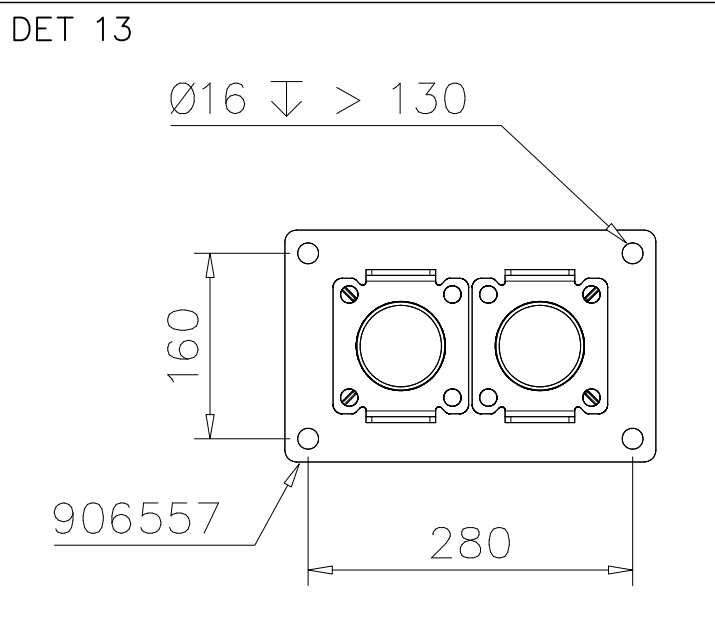


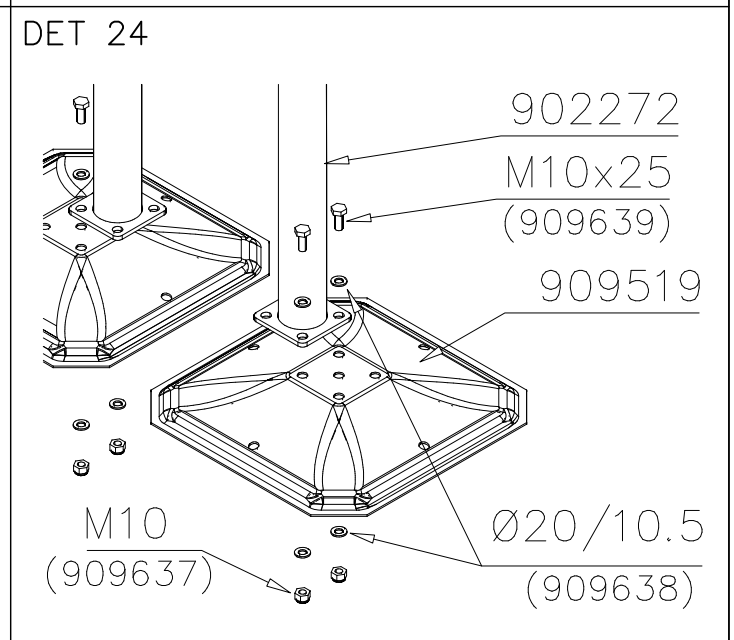
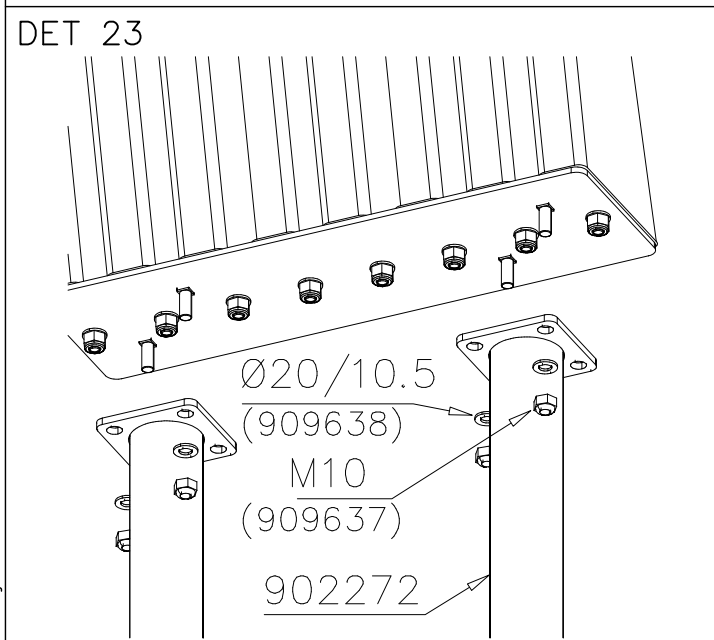
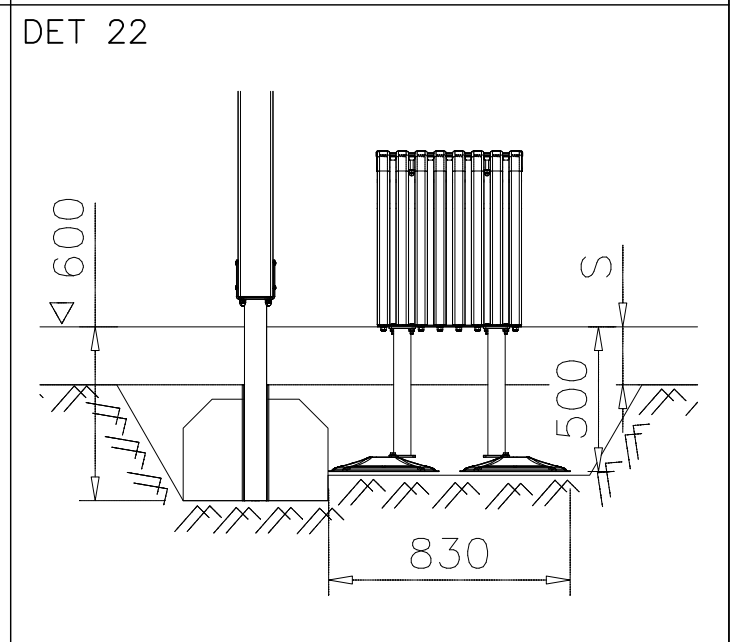
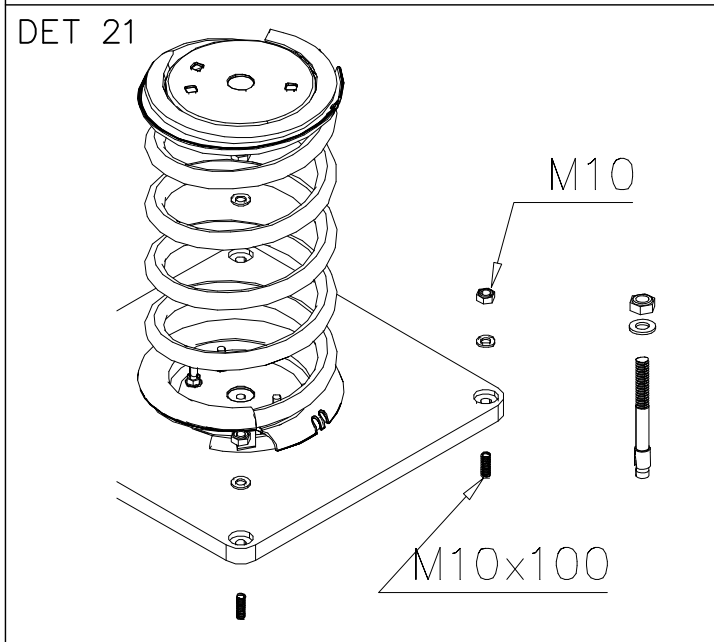
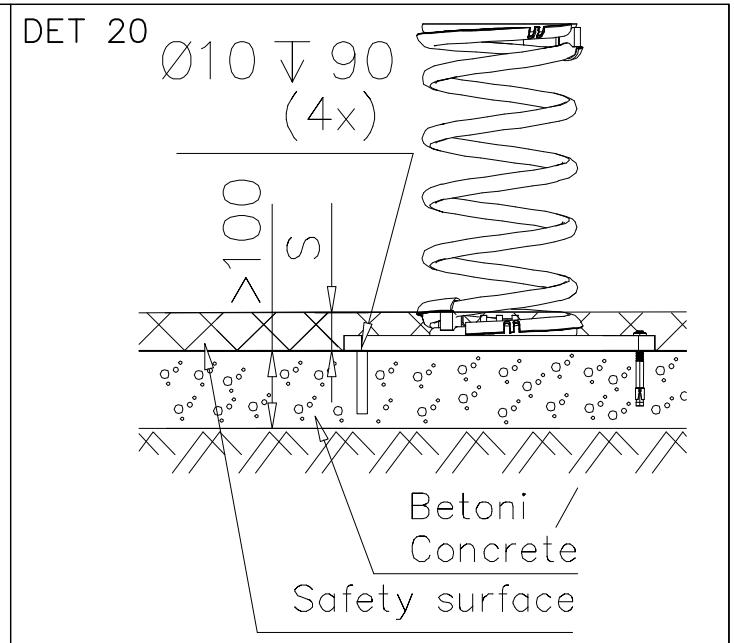
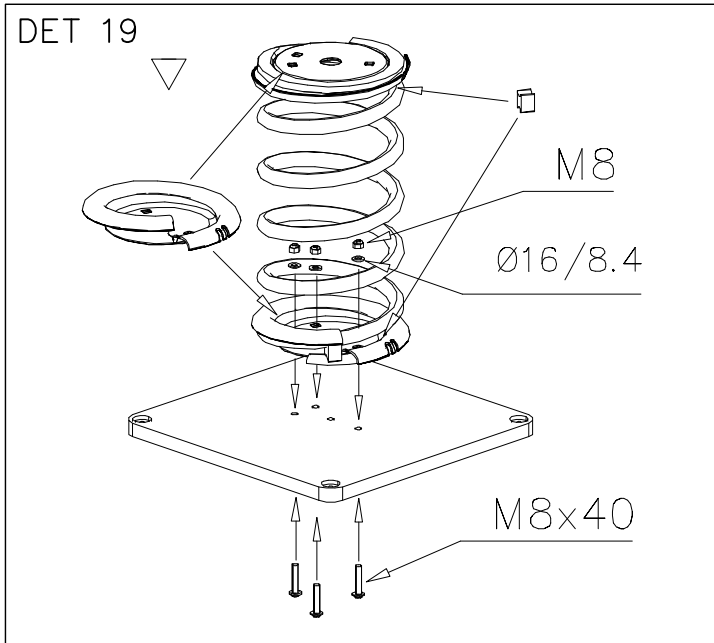
DET 5

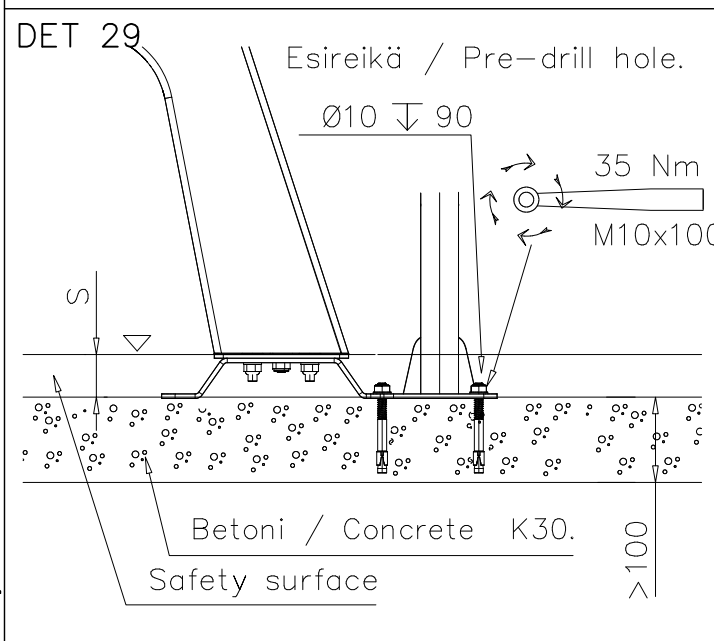
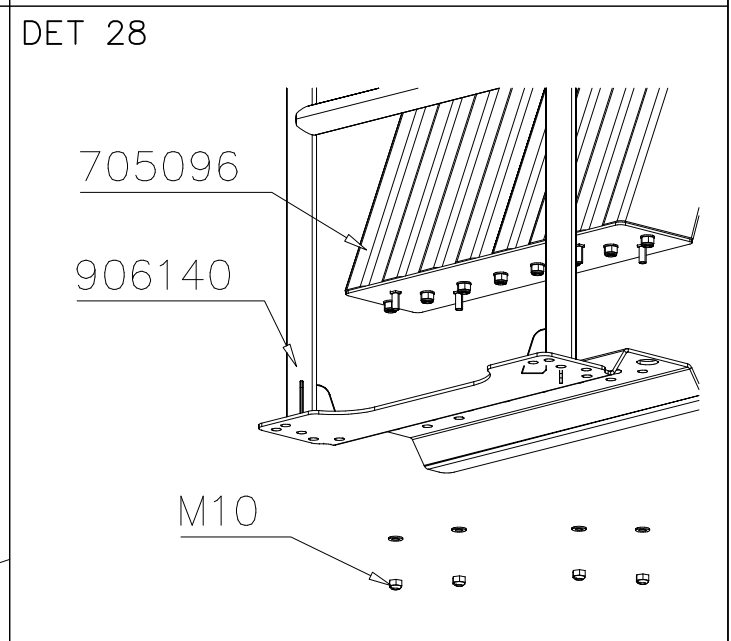
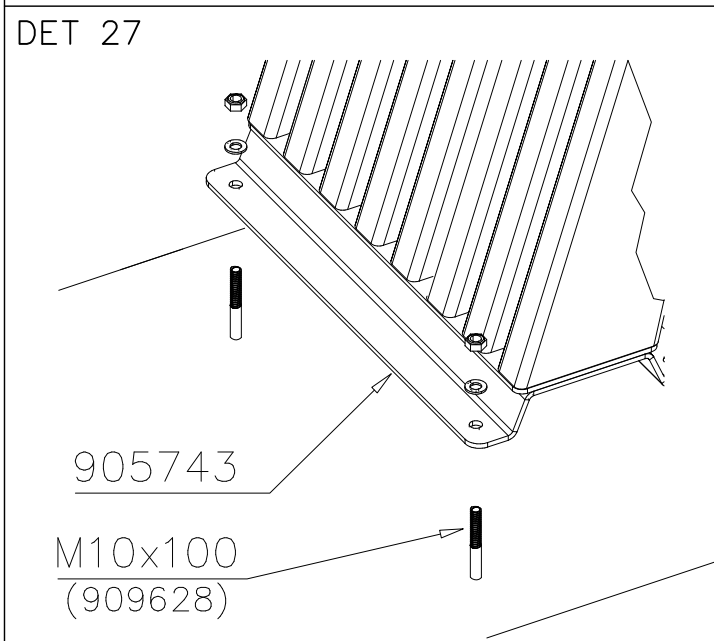
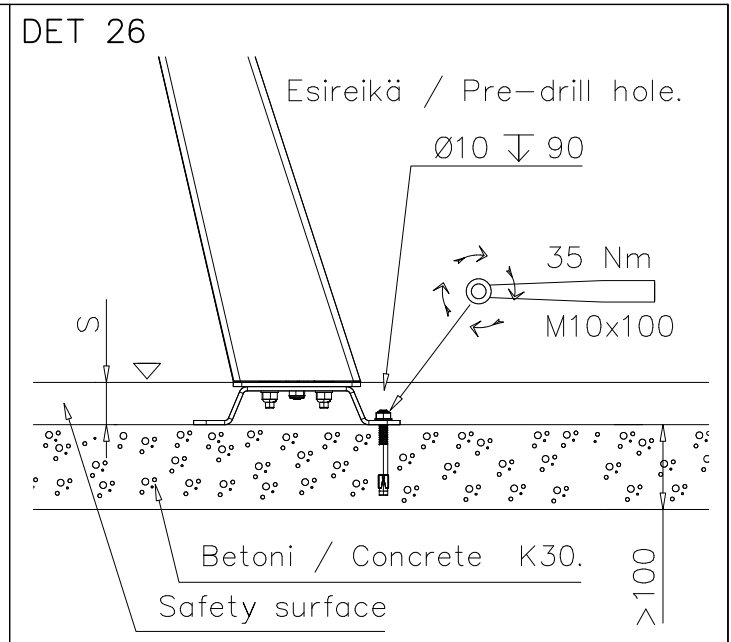
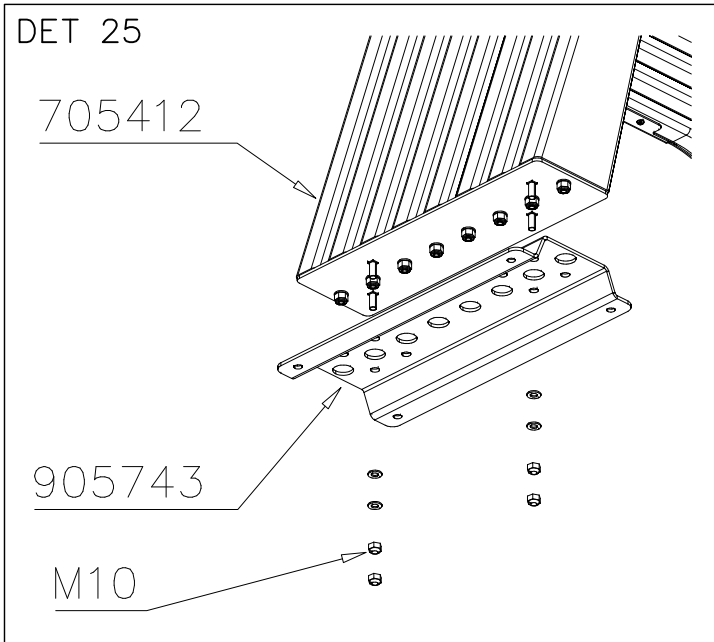


DET 6





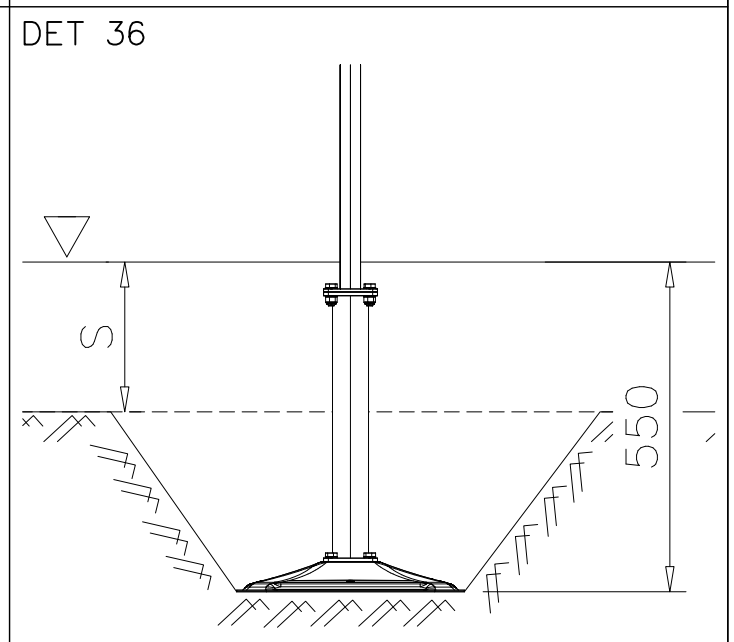
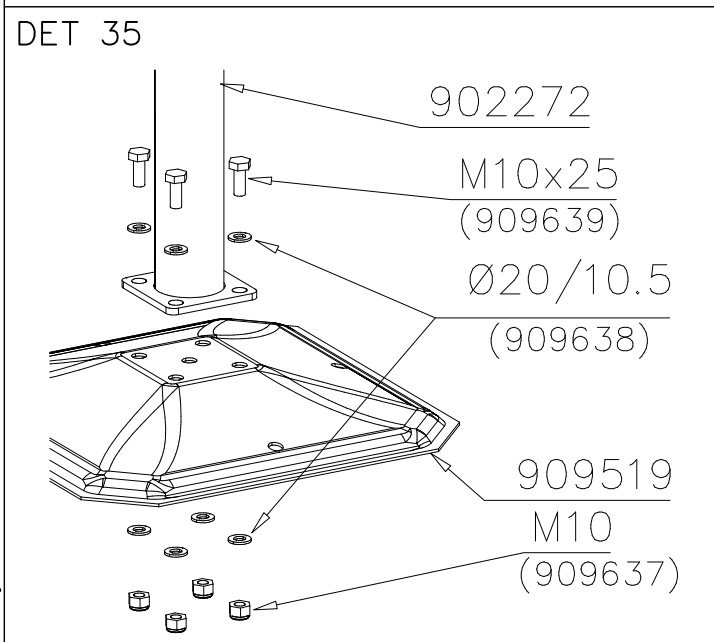
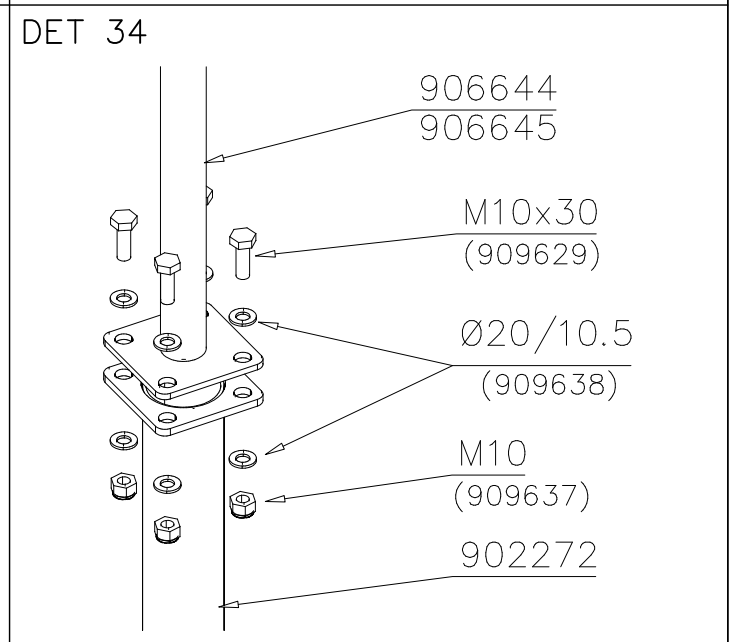
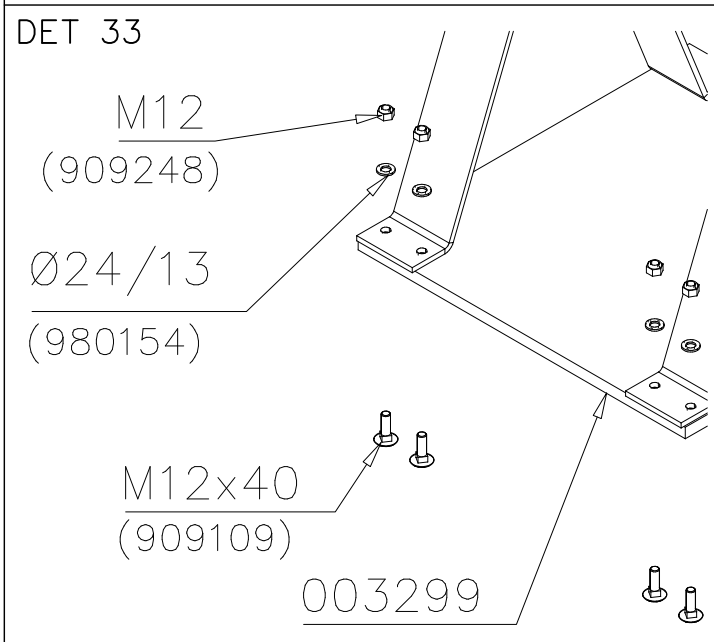
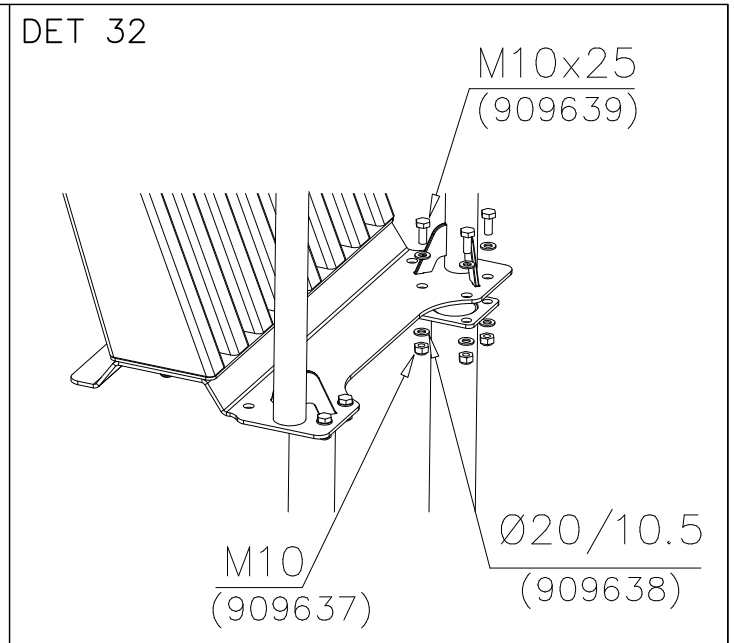
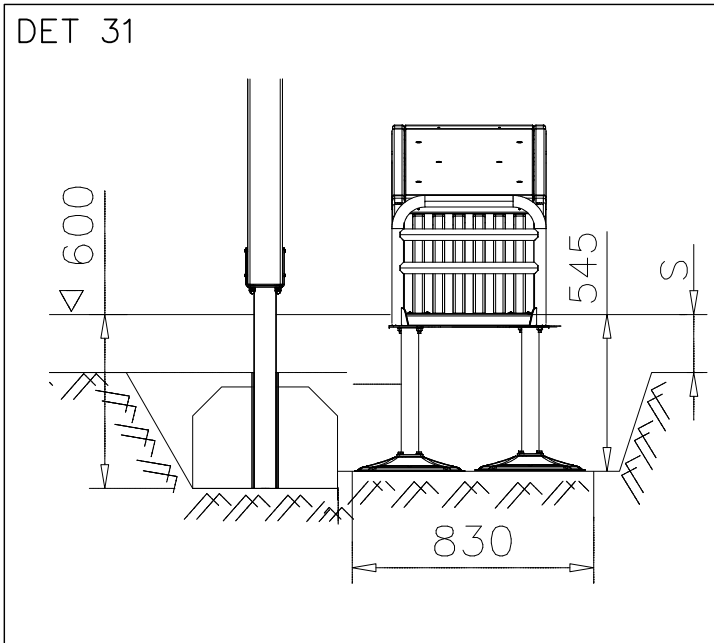




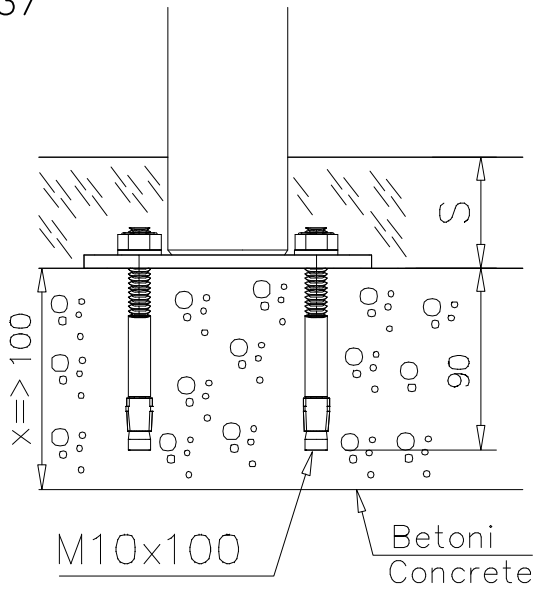
WINAM GROUP SPORT

BASE

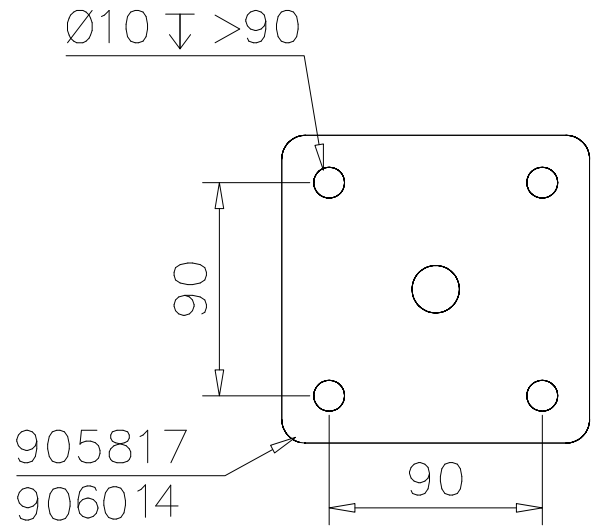
DATE: 29.4.2015



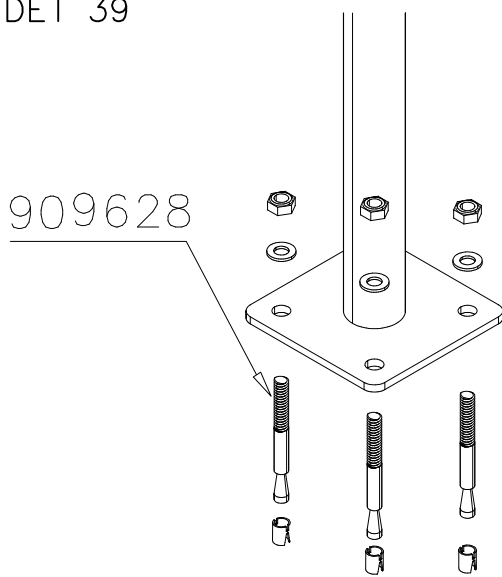
DET 37



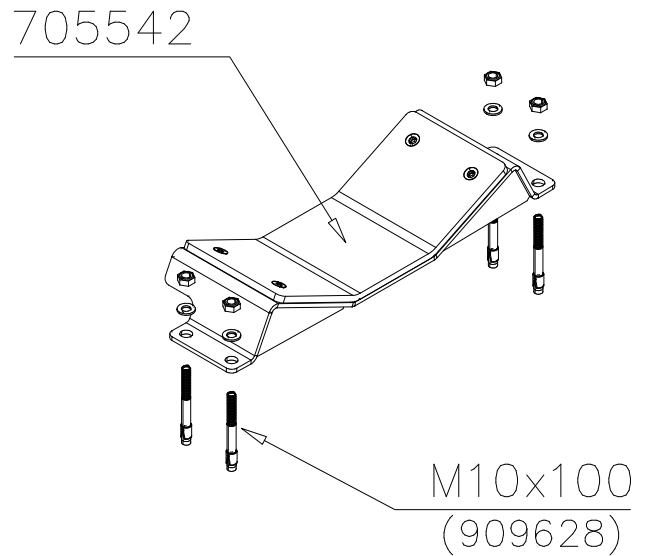
DET 38



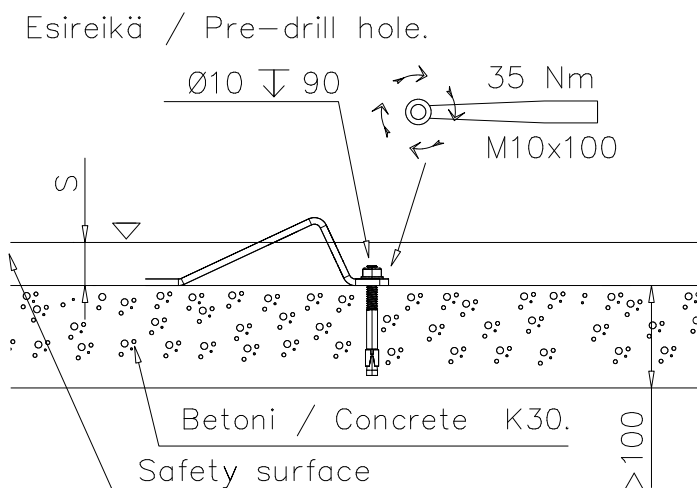
DET 39



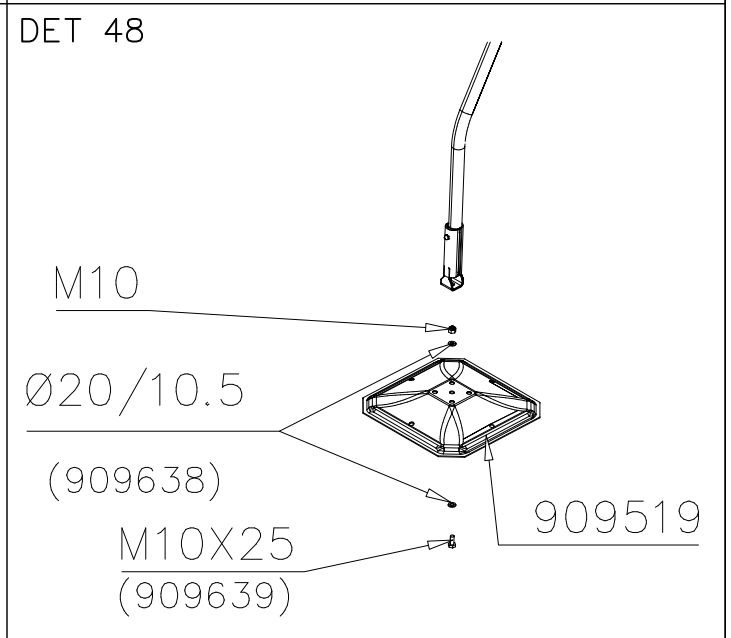
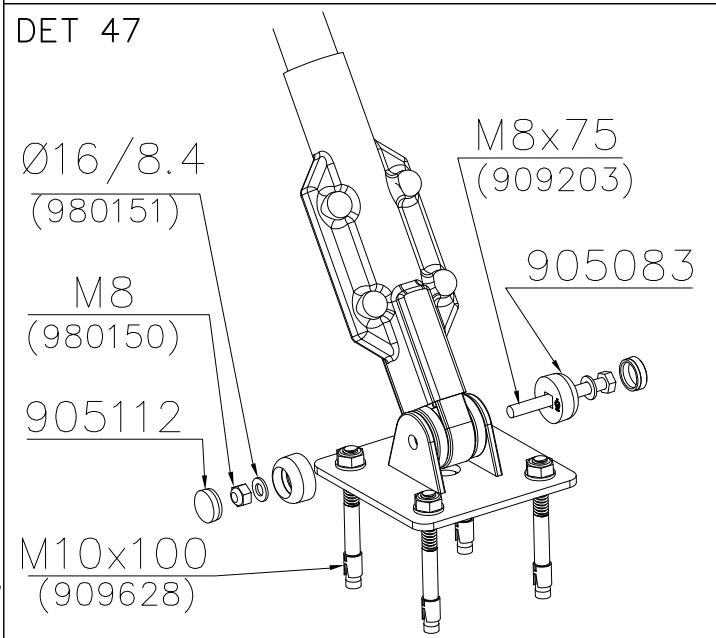
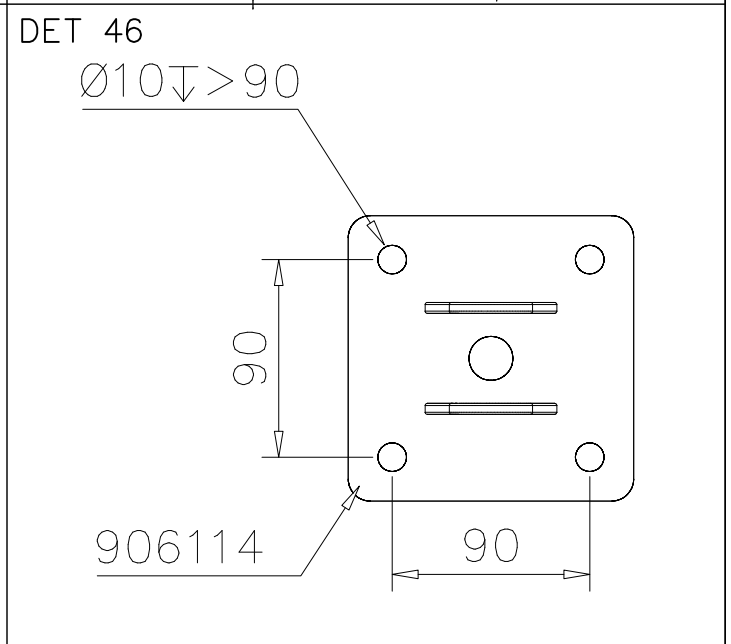
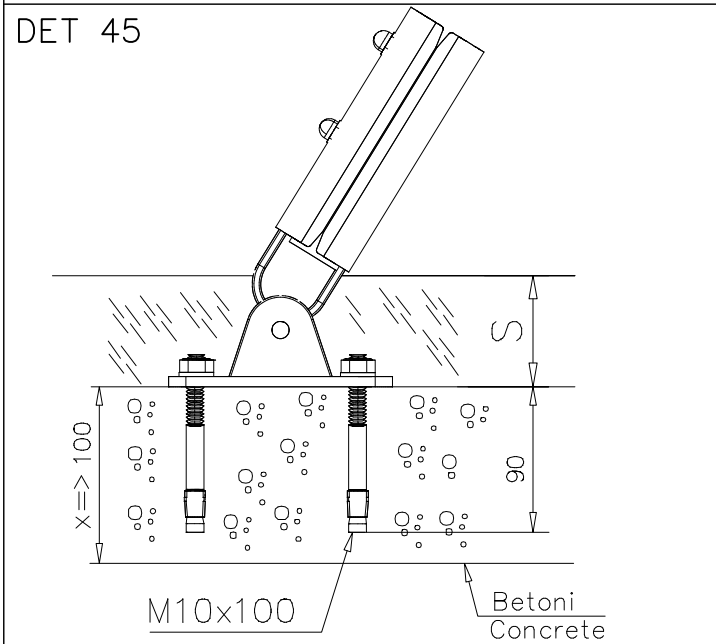
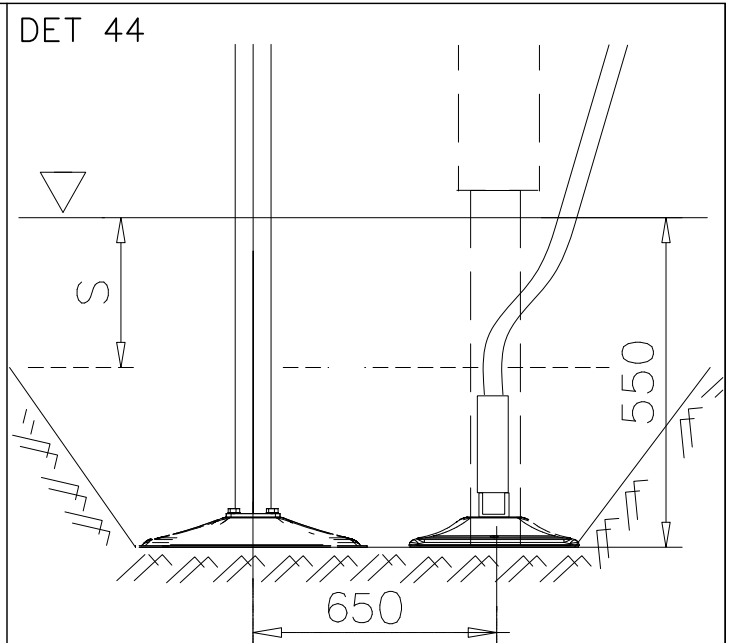
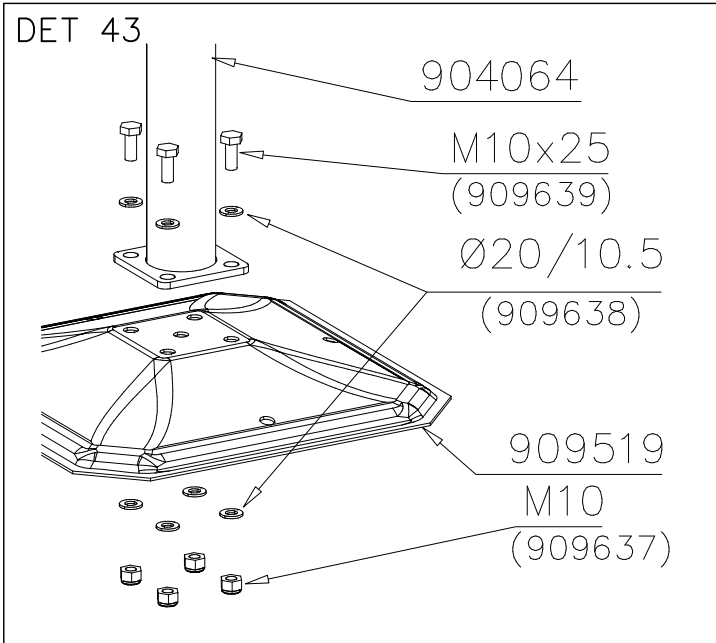
DET 40



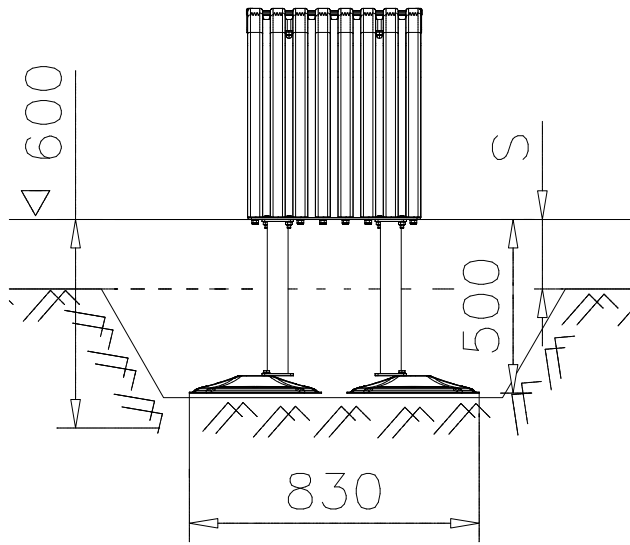
DET 41



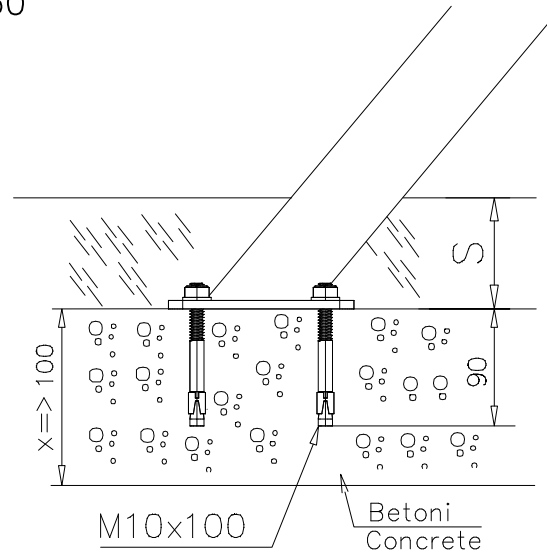
DET 42



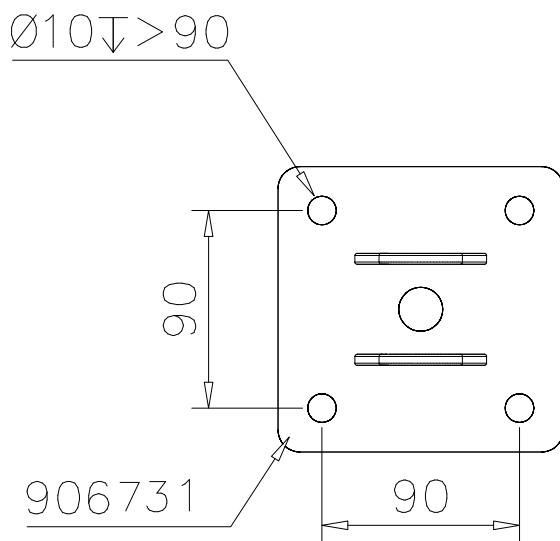
DET 49



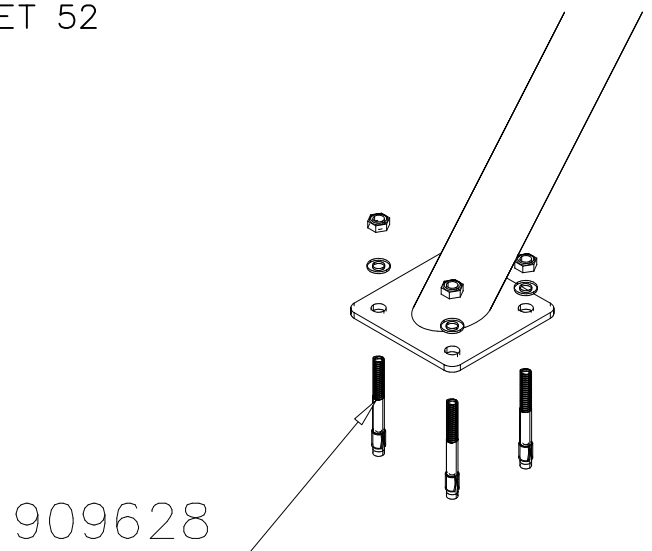
DET 50



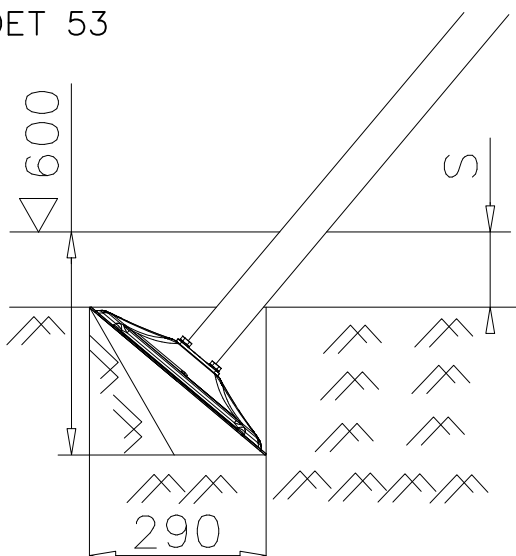
DET 51



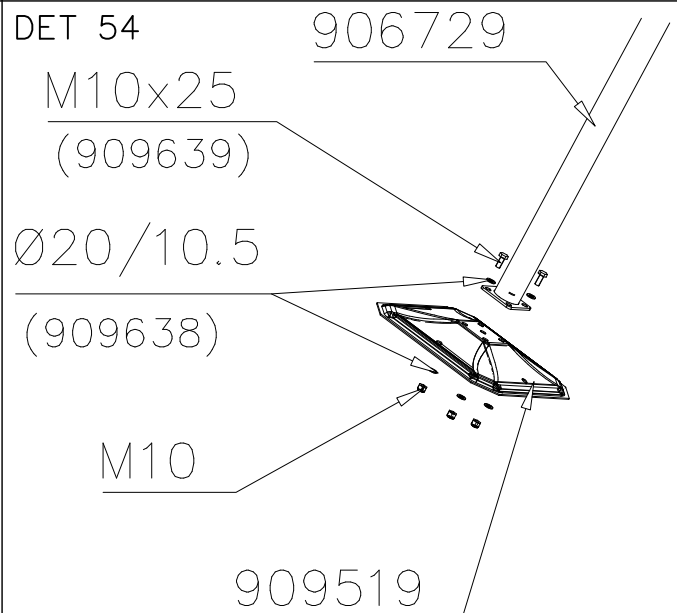
DET 52



DET 53



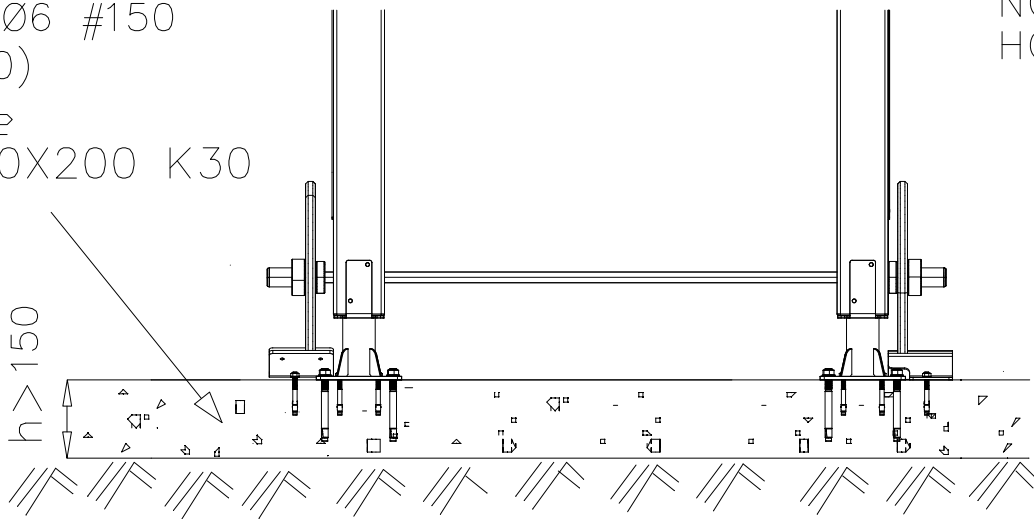
DET 54



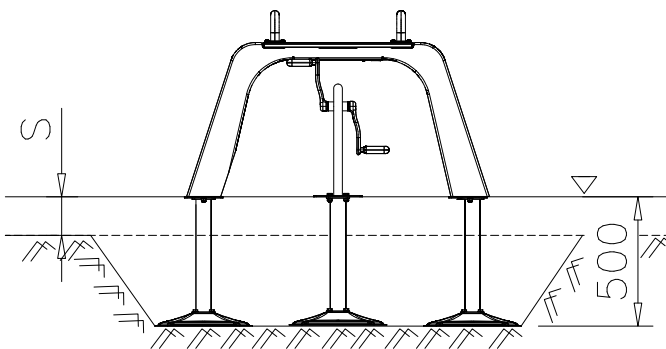
DET 55

STEELNET Ø6 #150
(1400x2100)
Concrete
1500X2200X200 K30

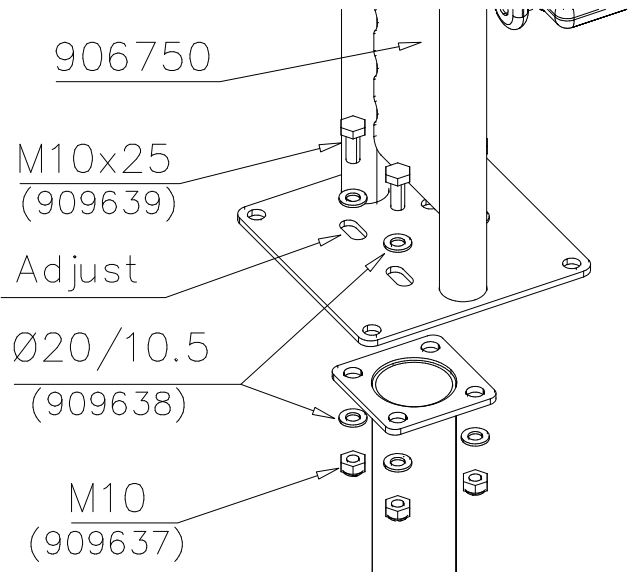
NOTE!
HOX!



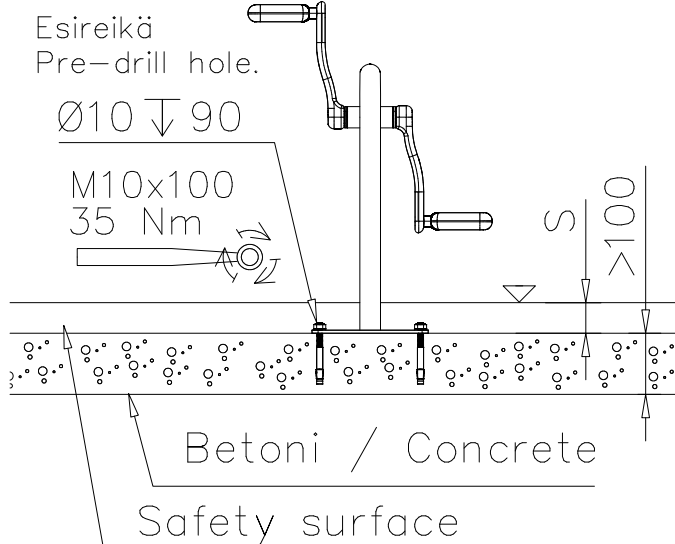
DET 56



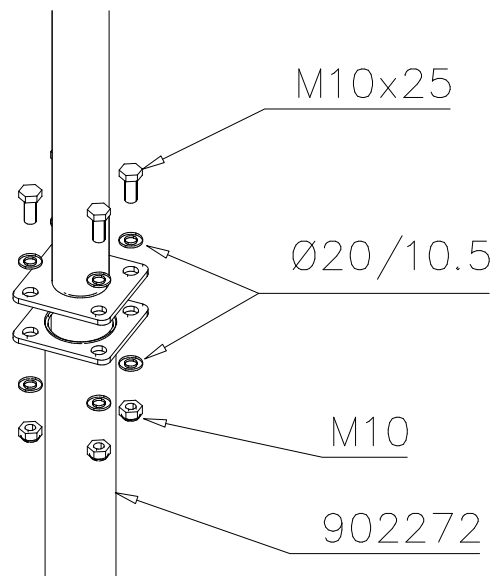
DET 57



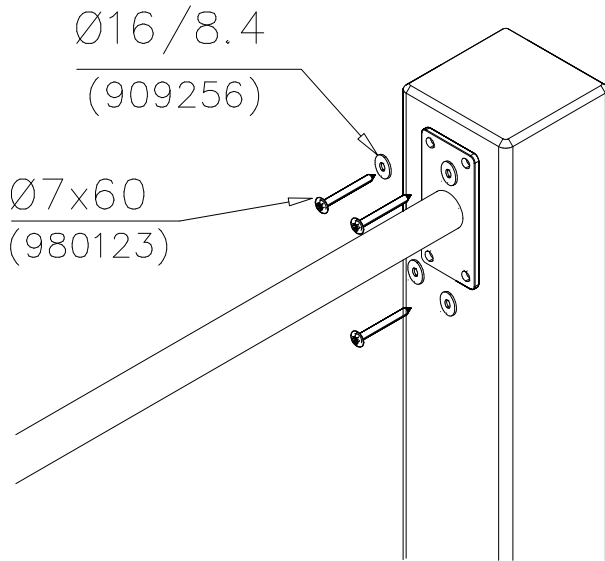
DET 58



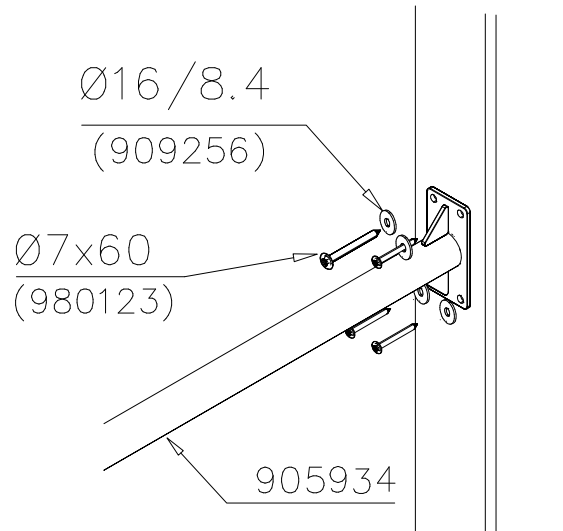
DET 59



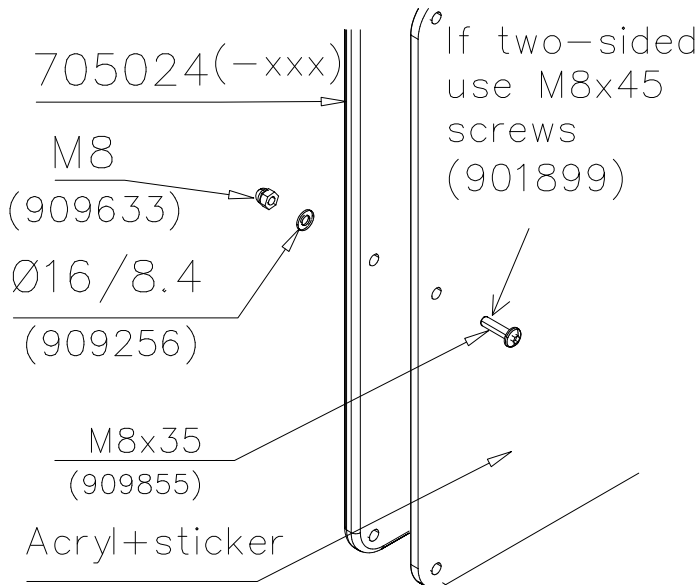
DET 1



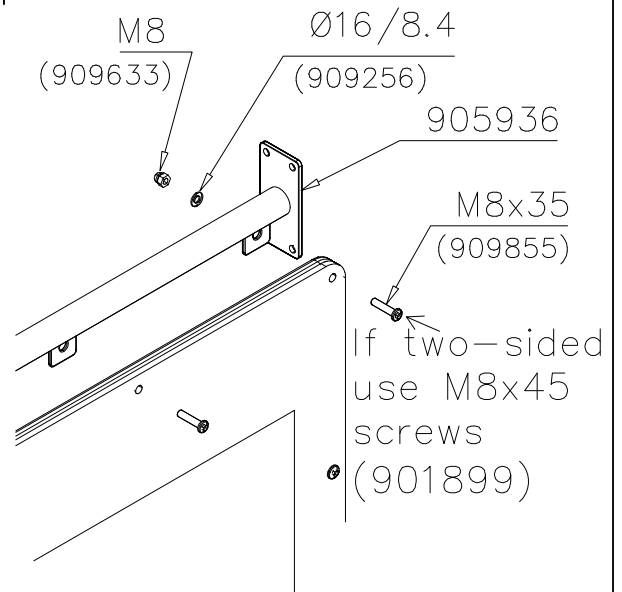
DET 2



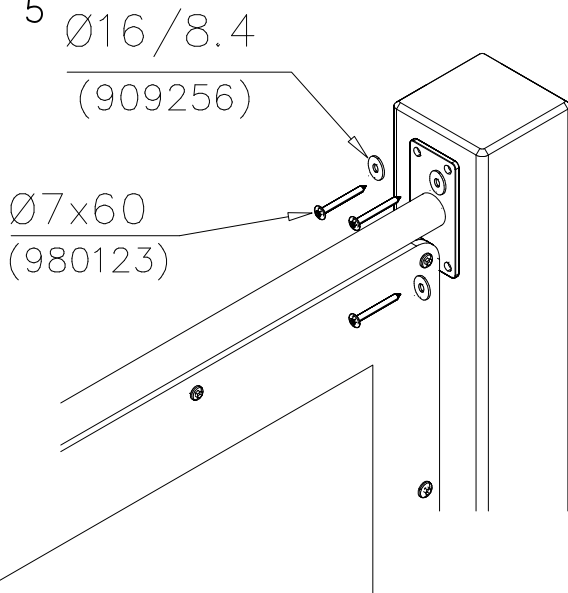
DET 3



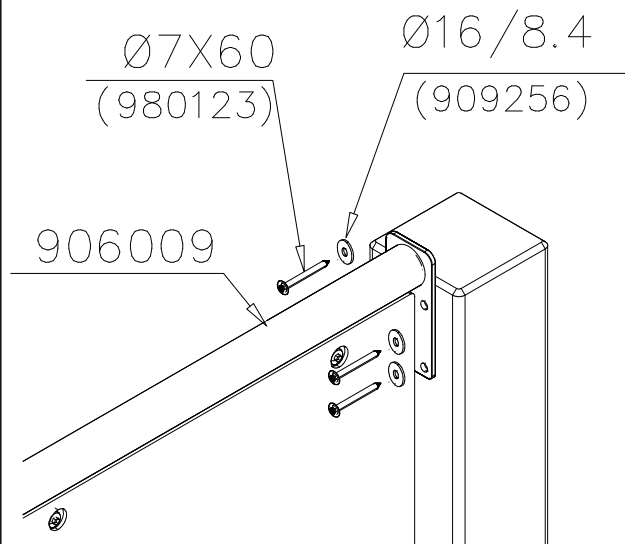
DET 4

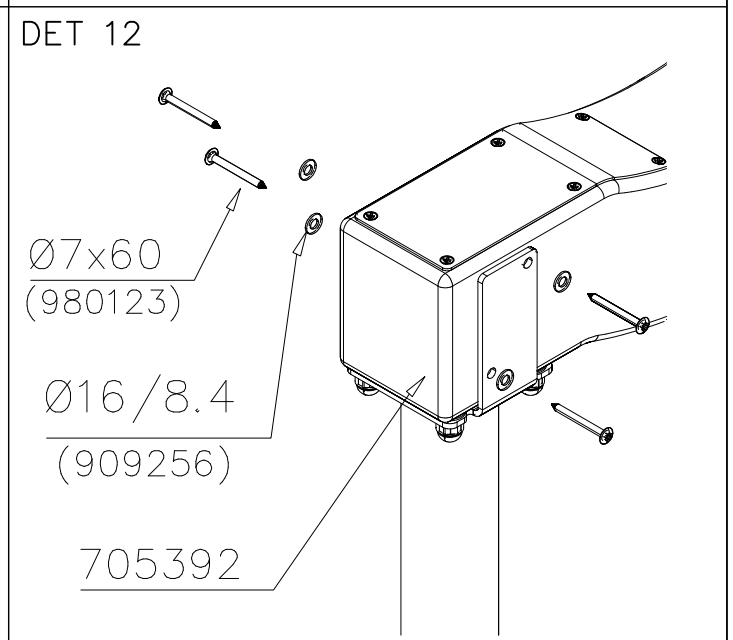
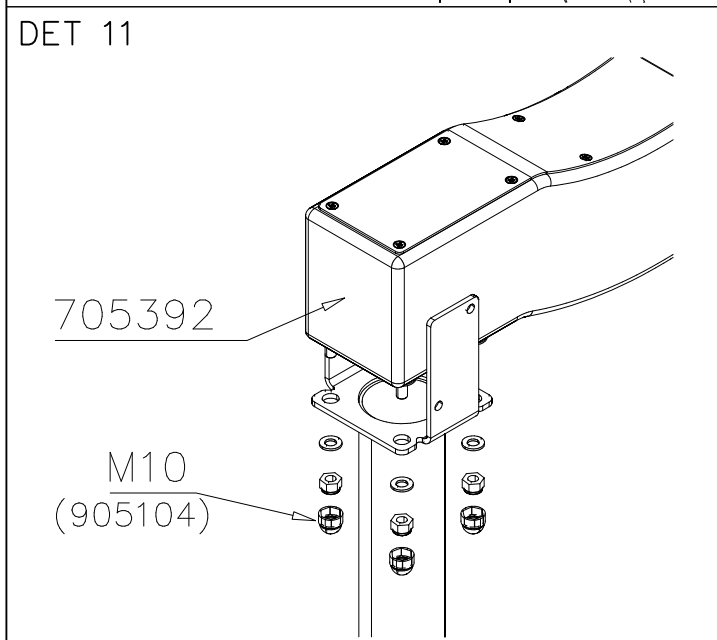
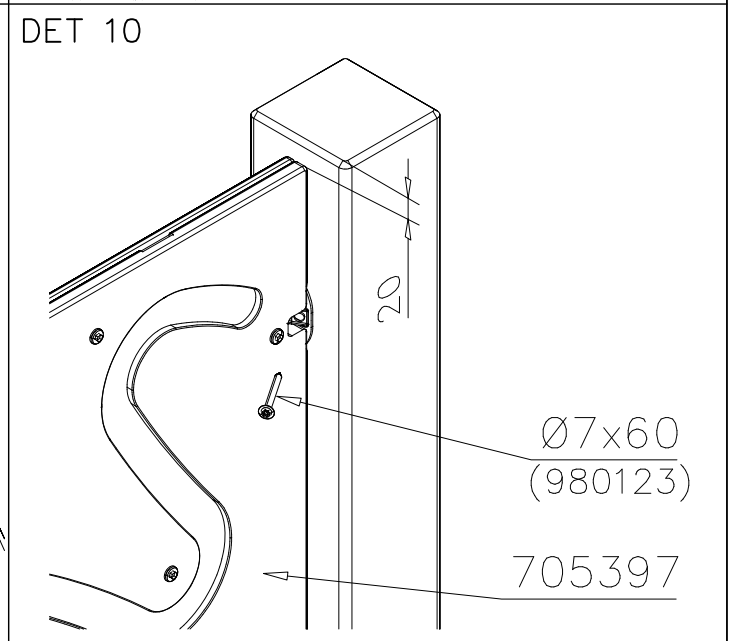
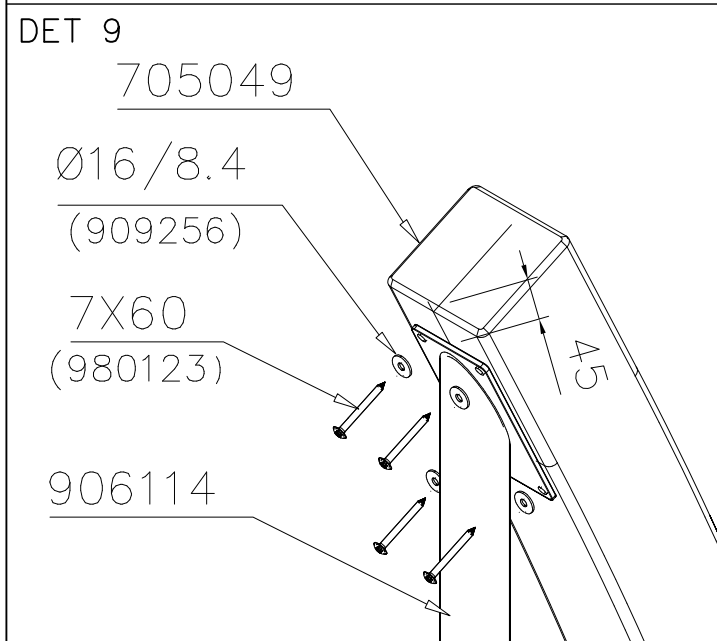
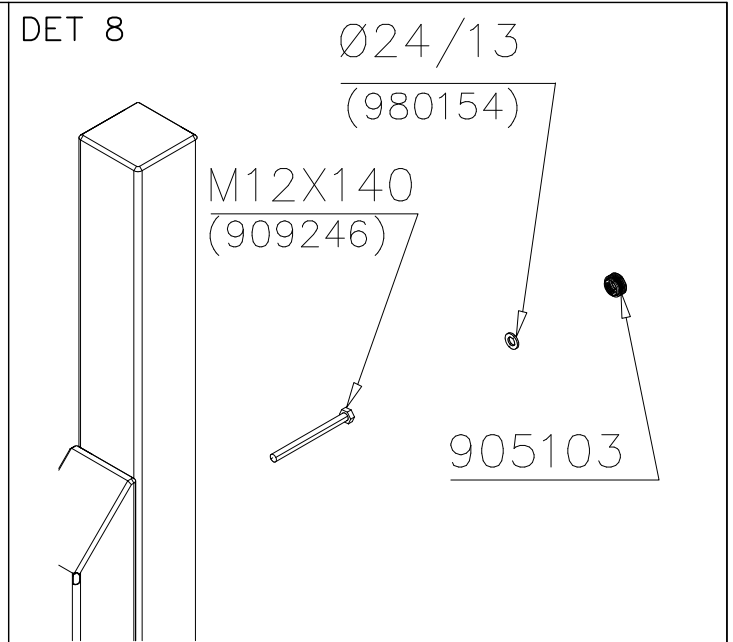
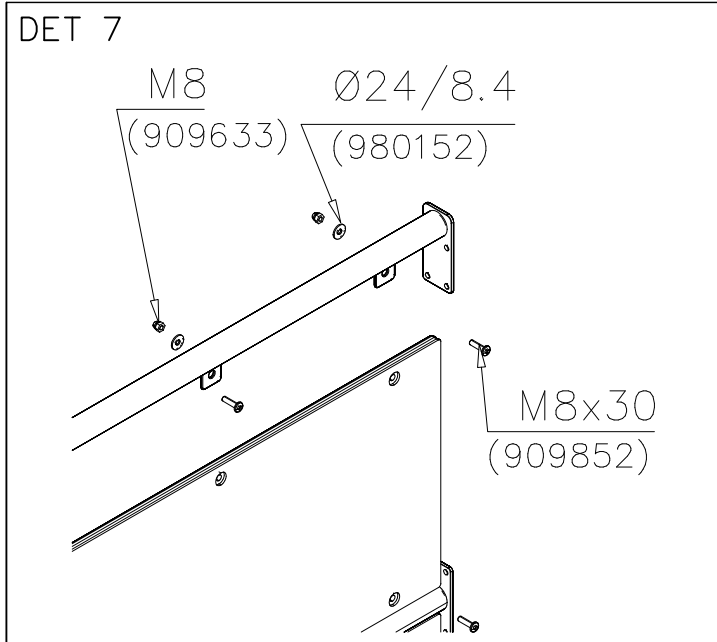


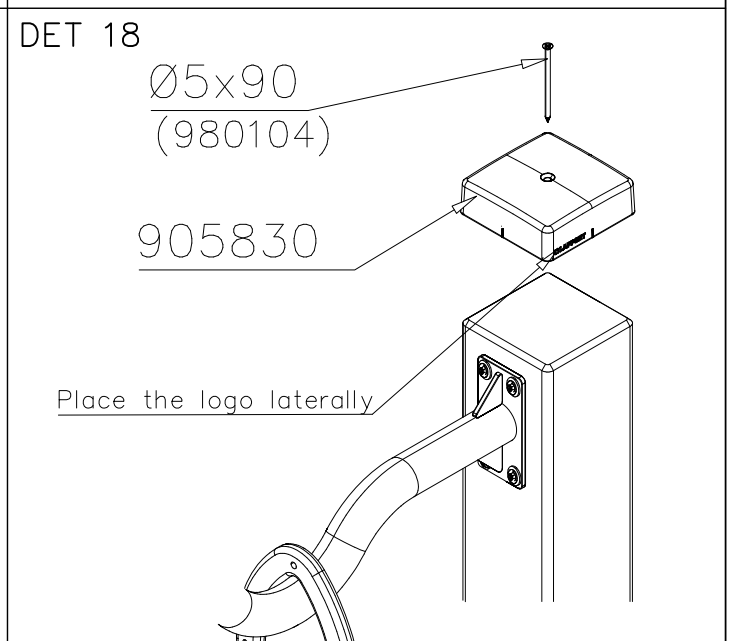
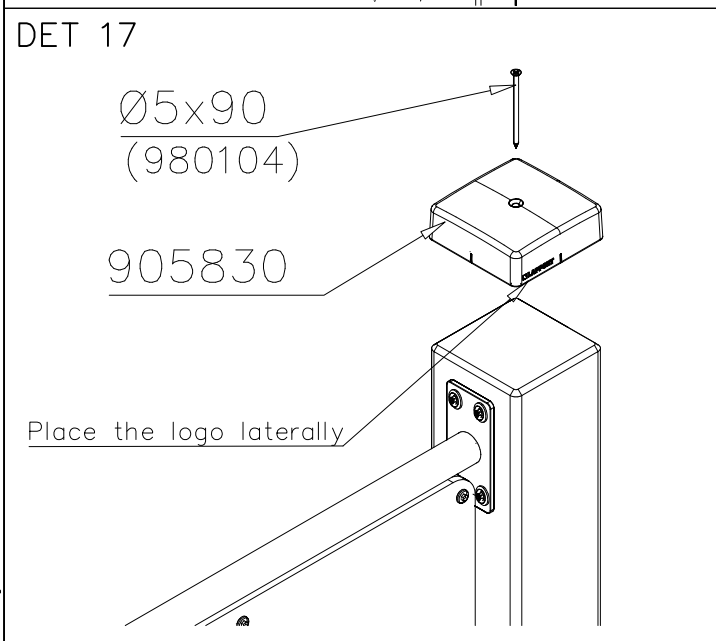
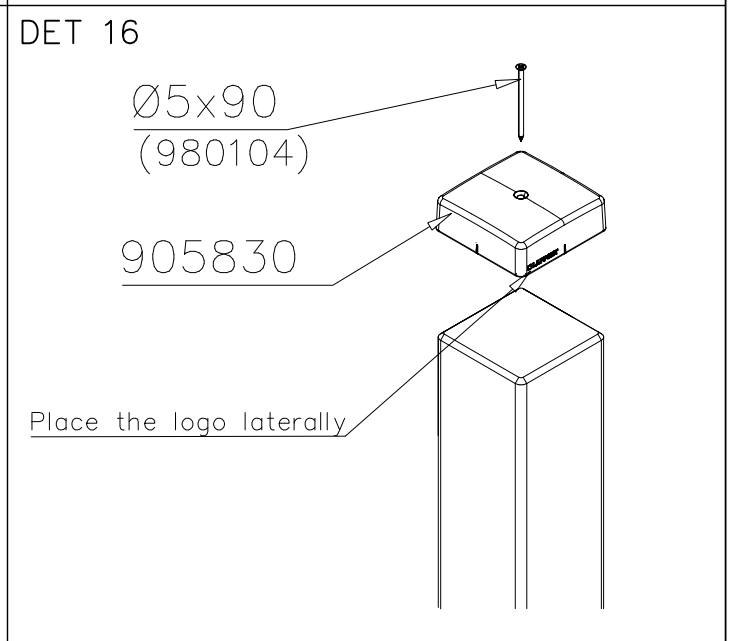
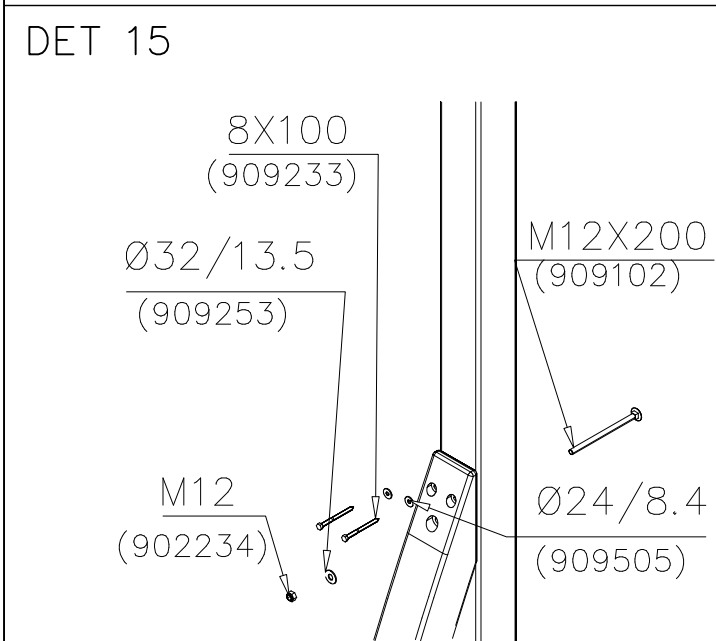
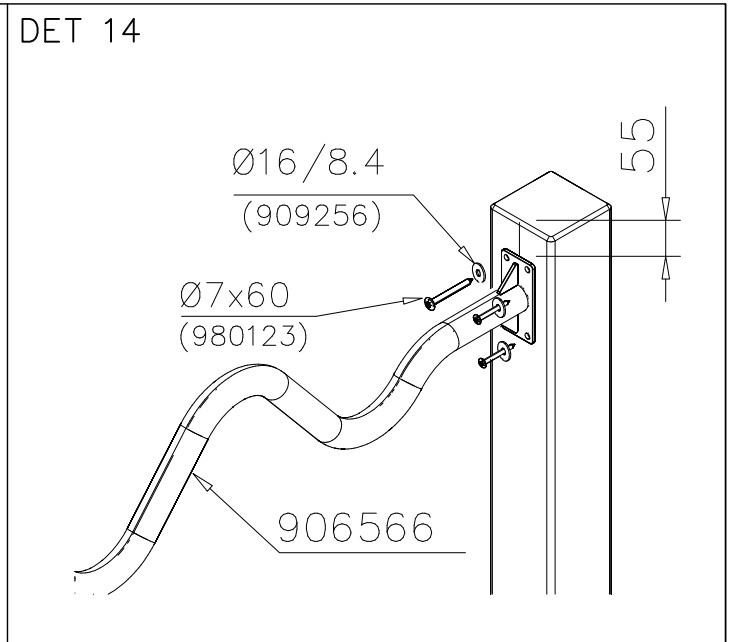
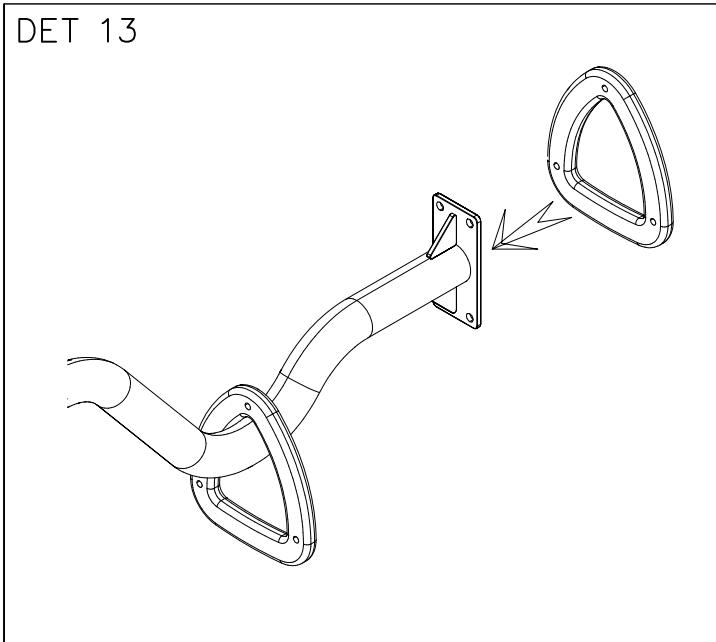
DET 5

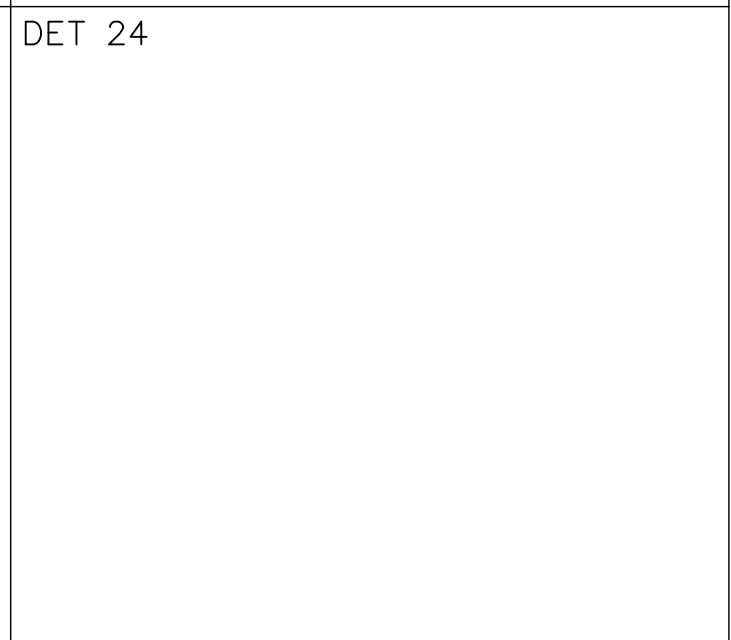
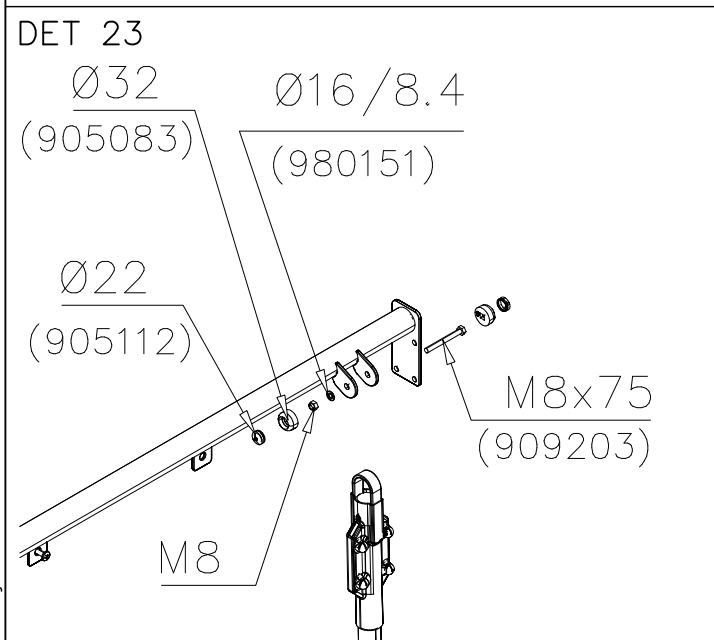
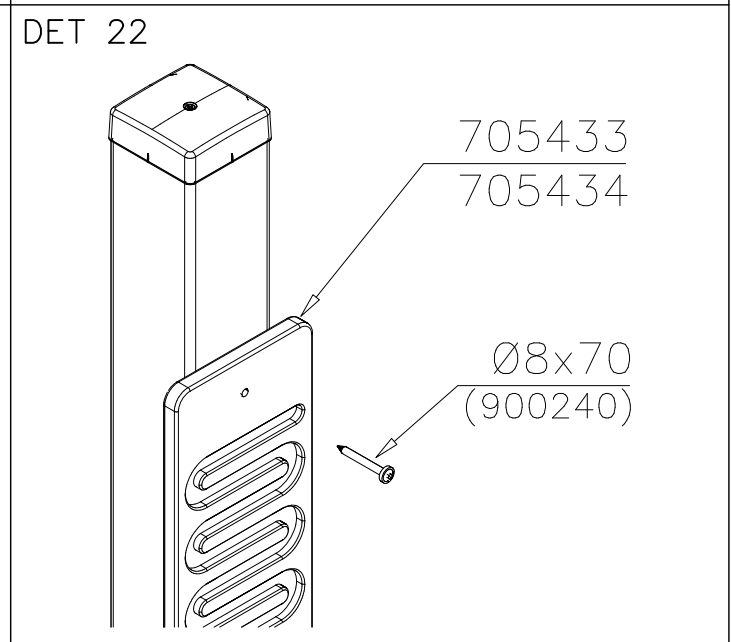
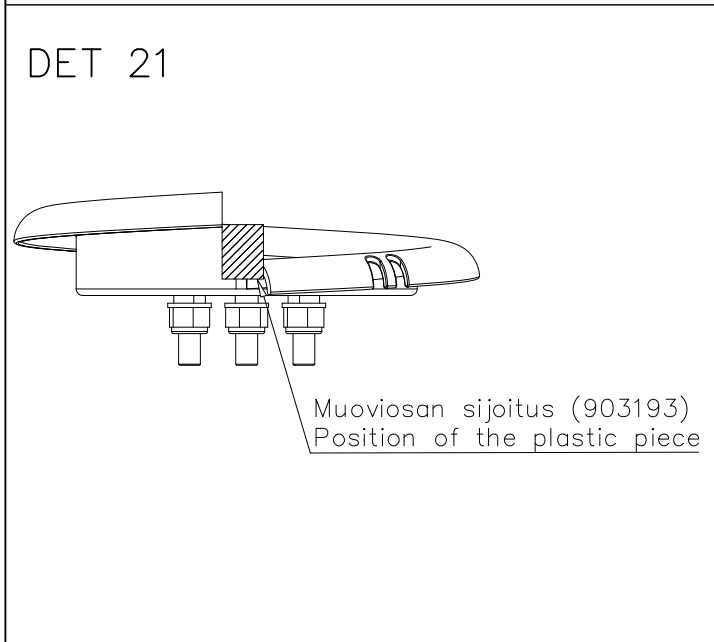
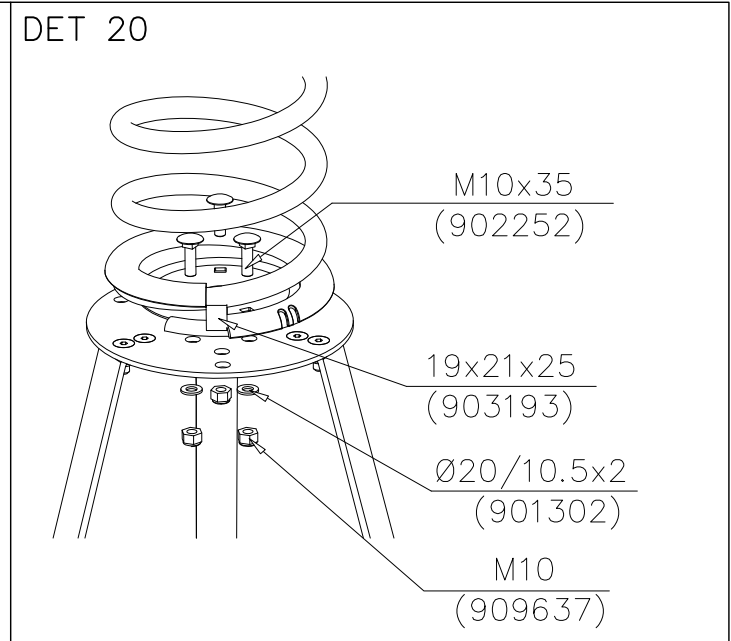
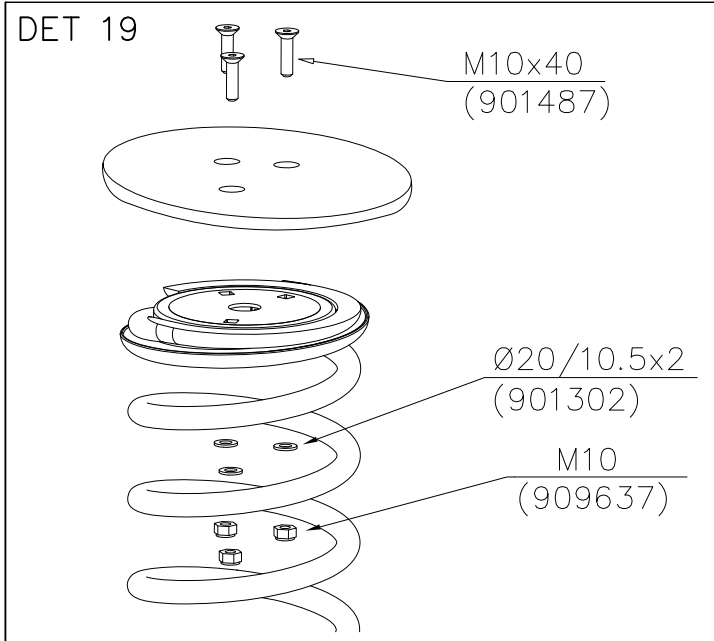


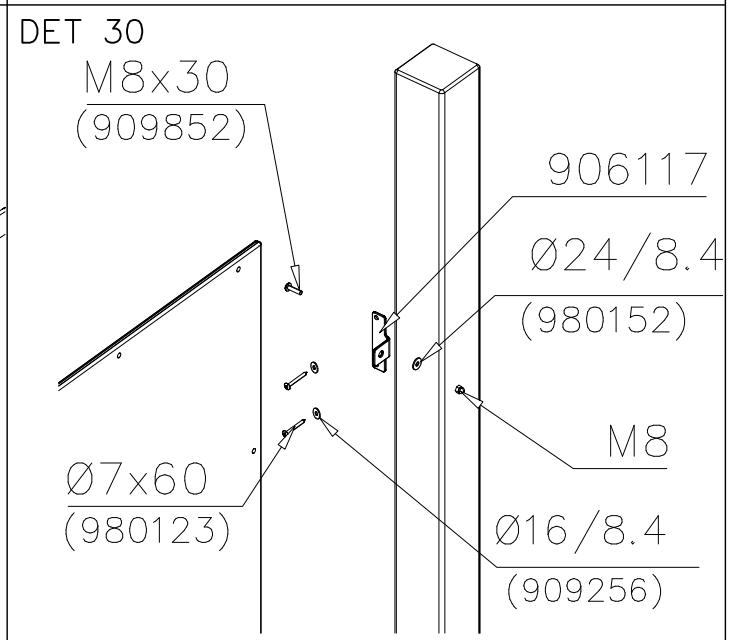
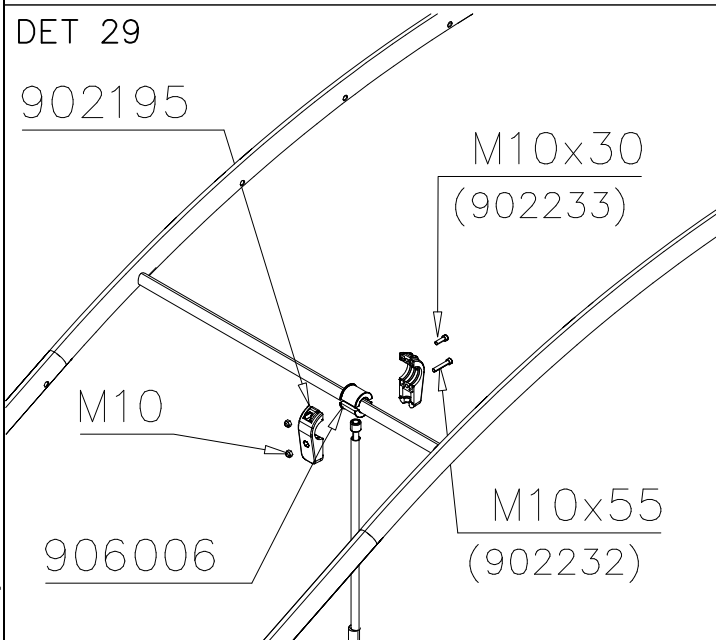
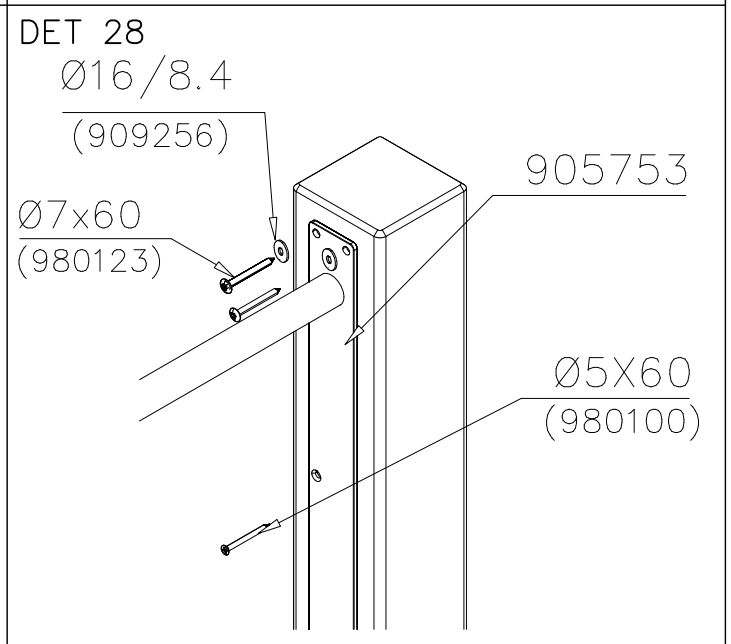
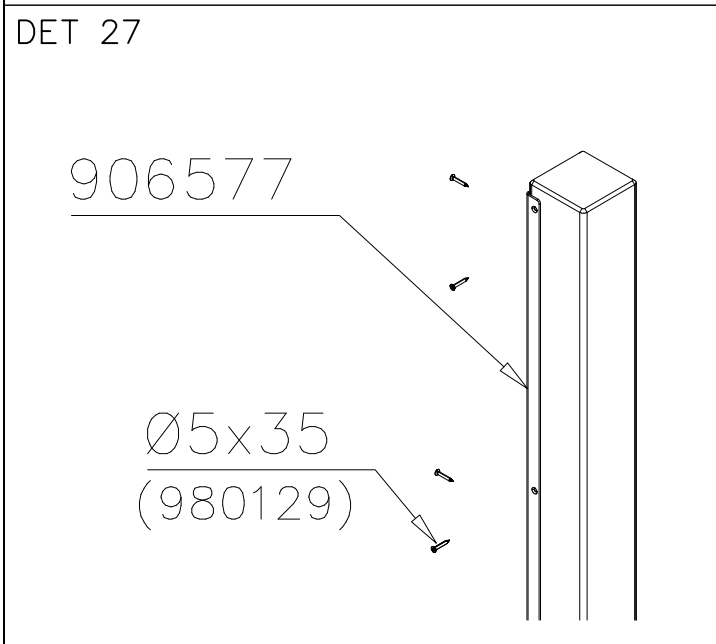
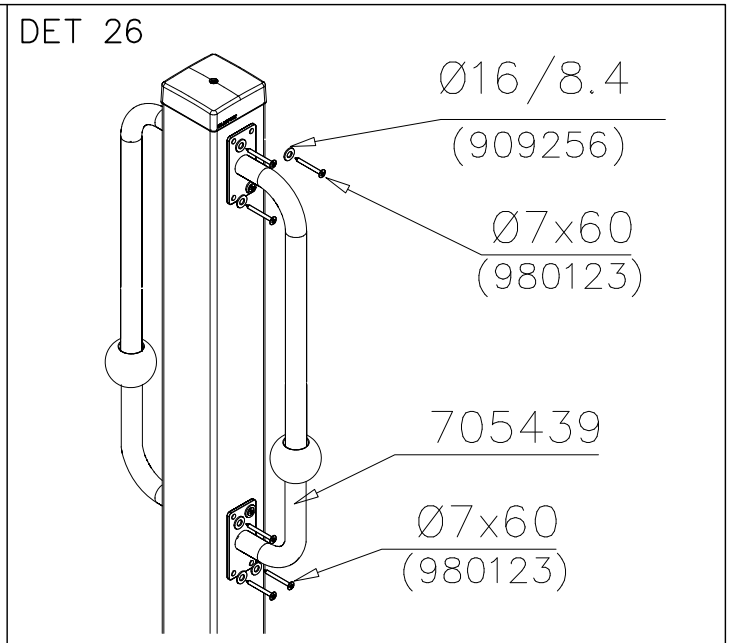
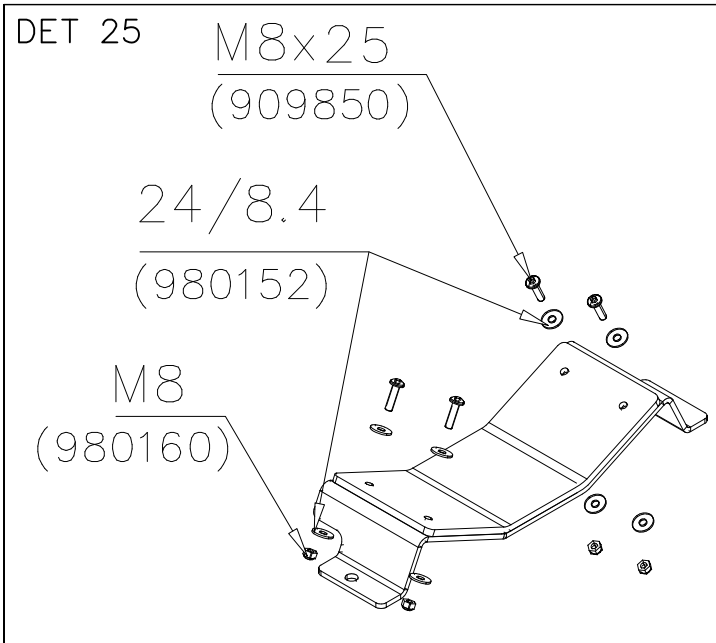
DET 6

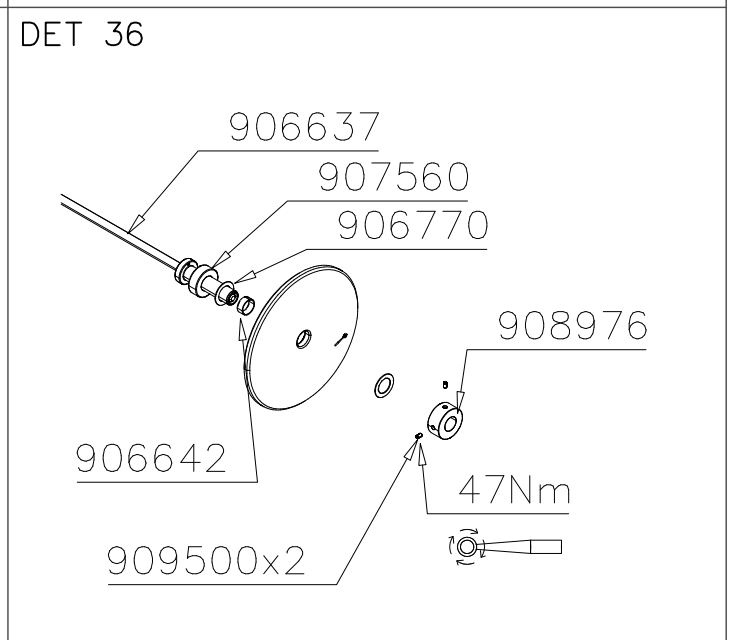
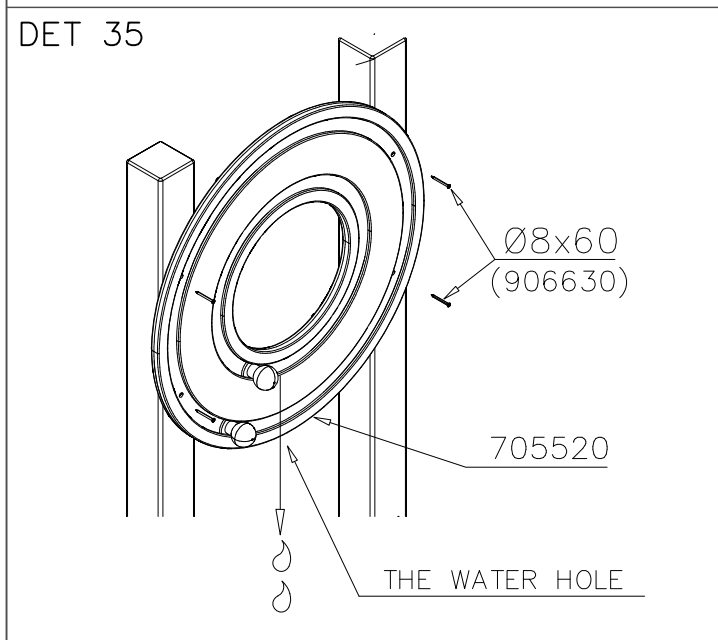
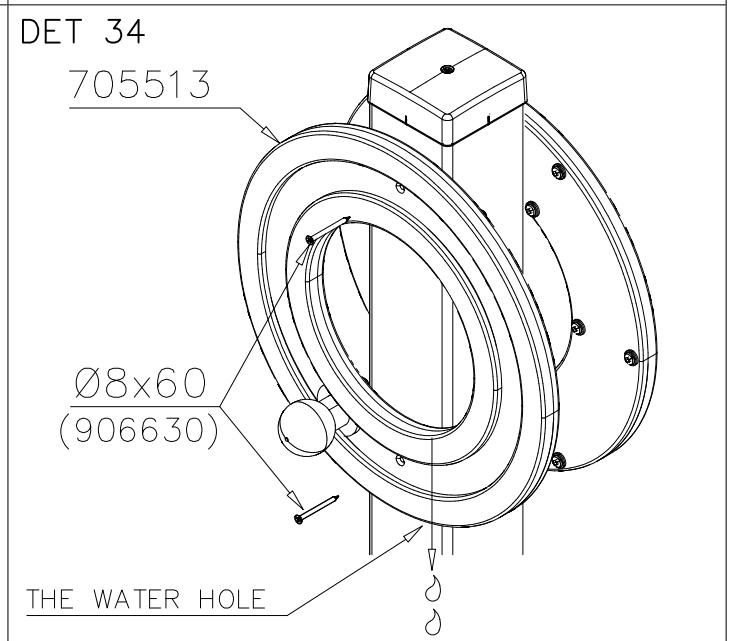
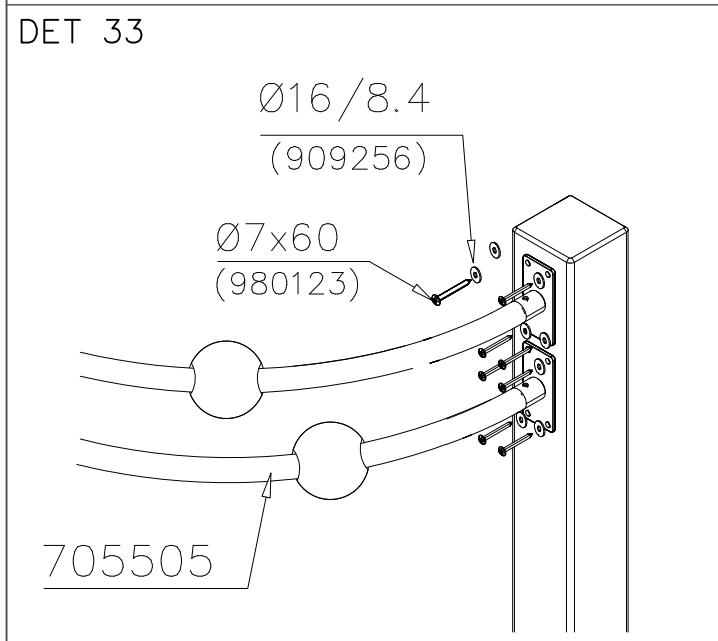
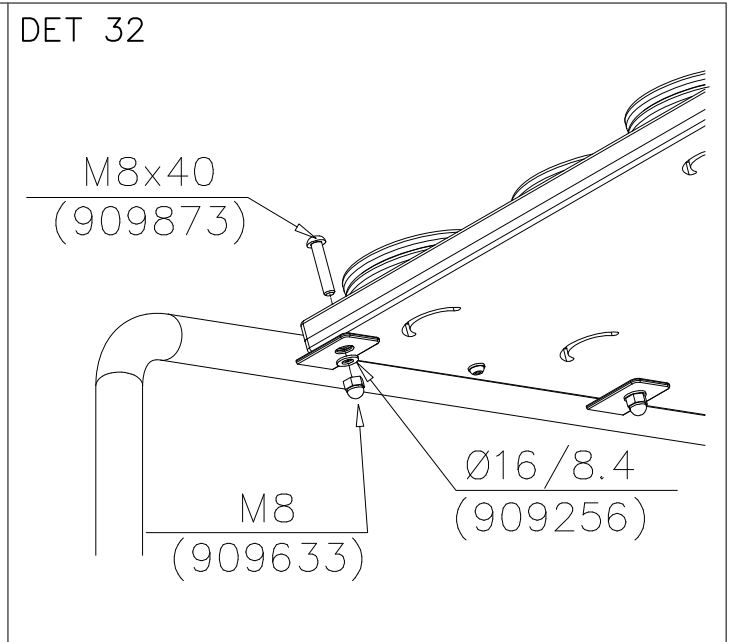
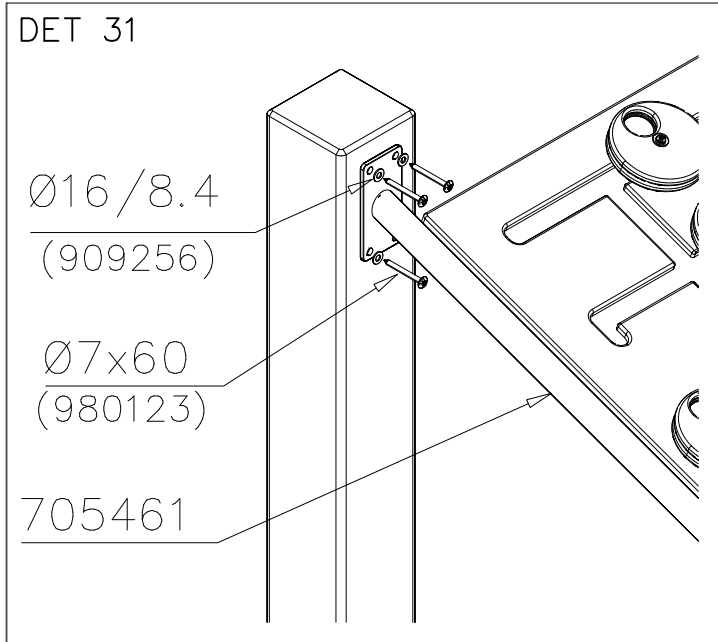


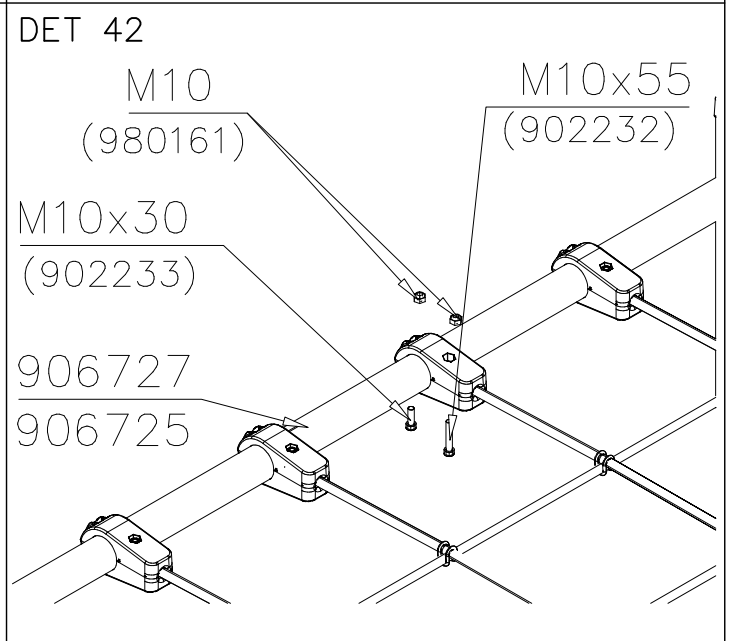
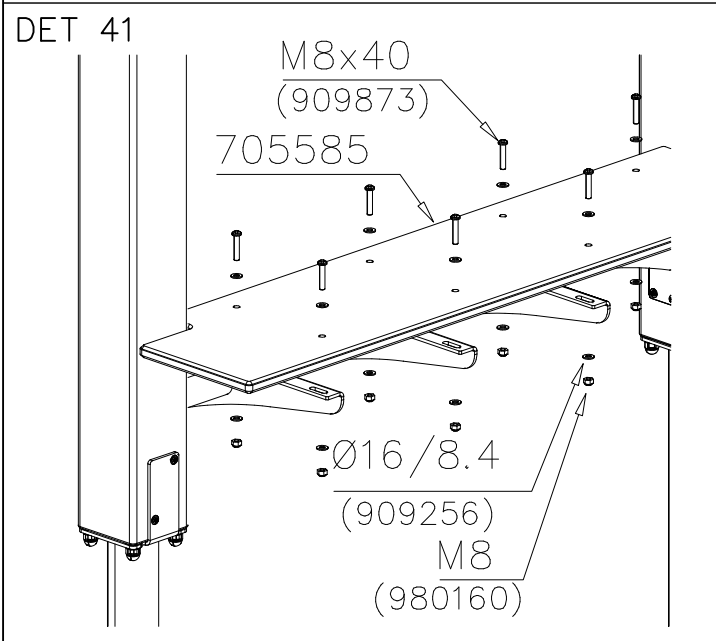
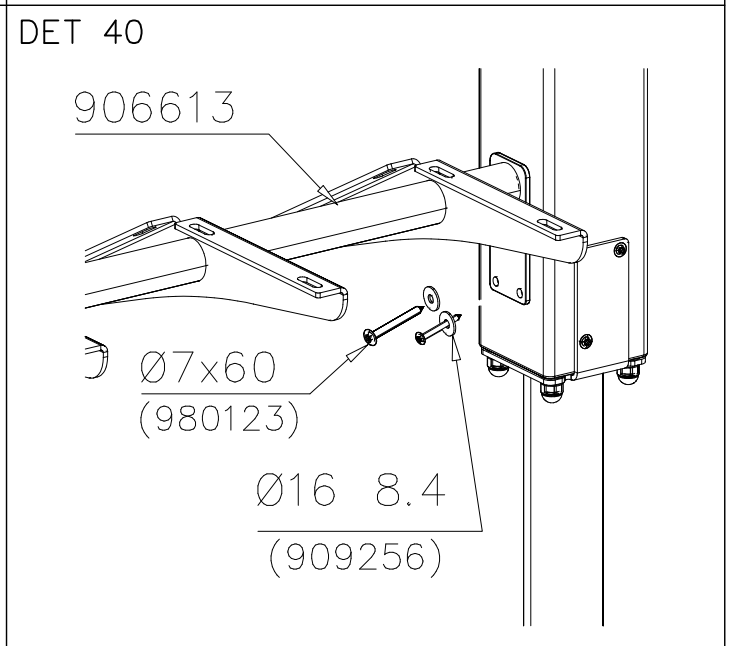
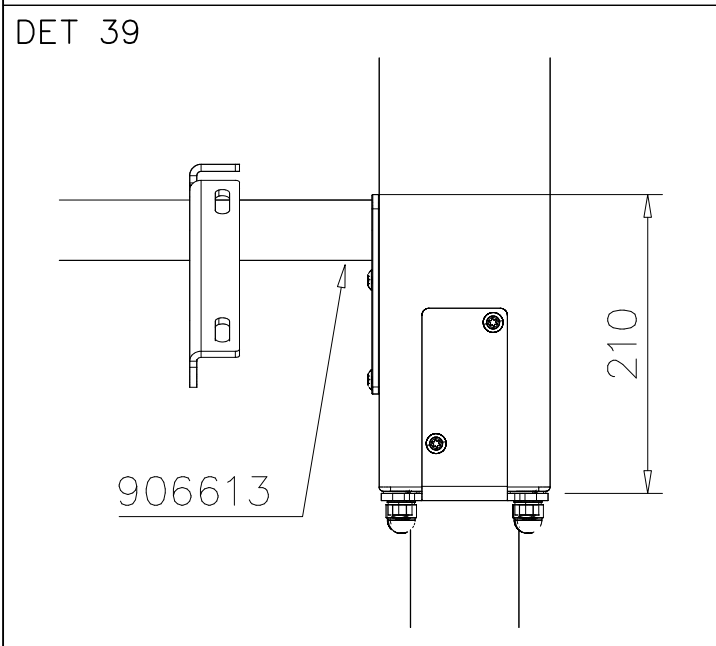
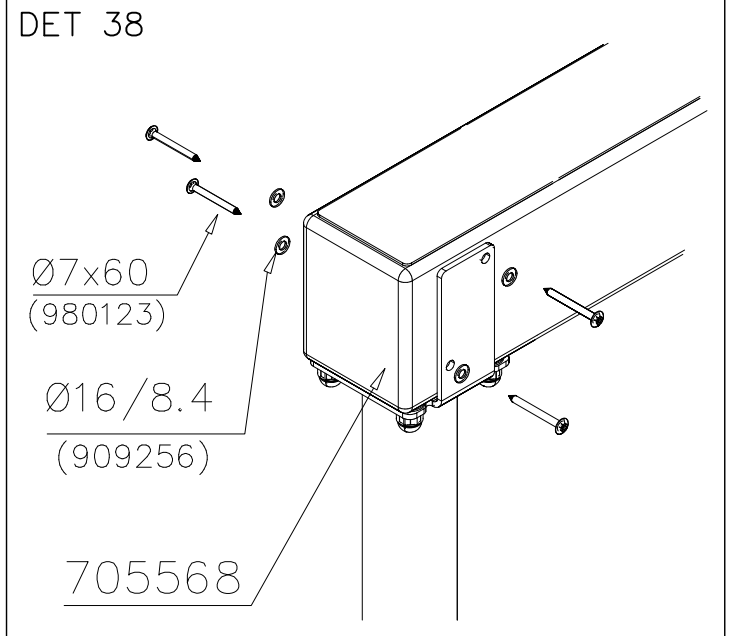
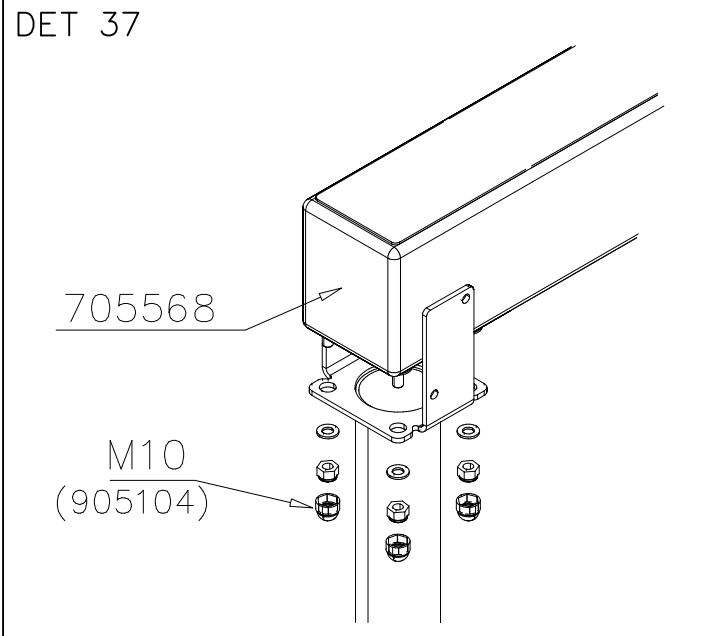


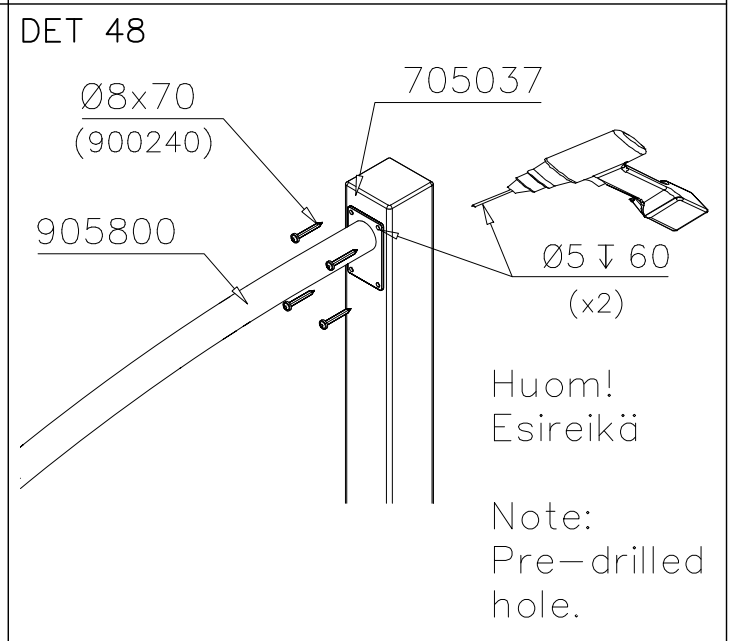
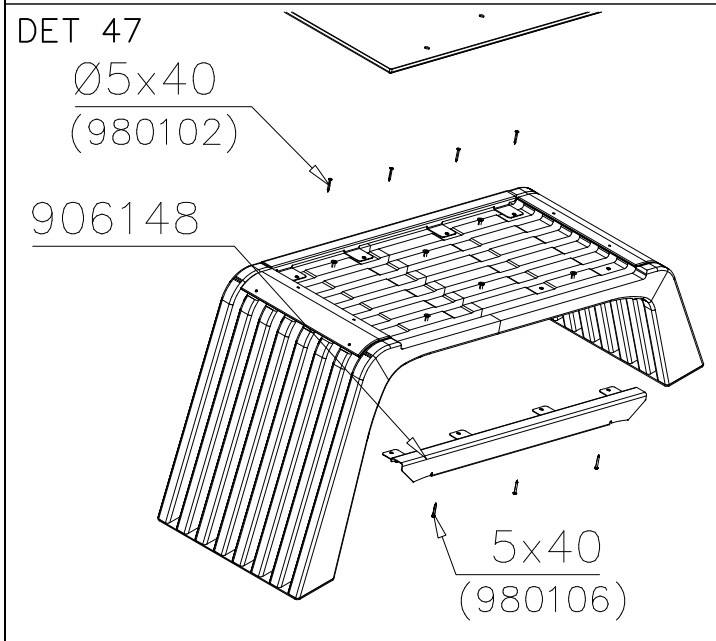
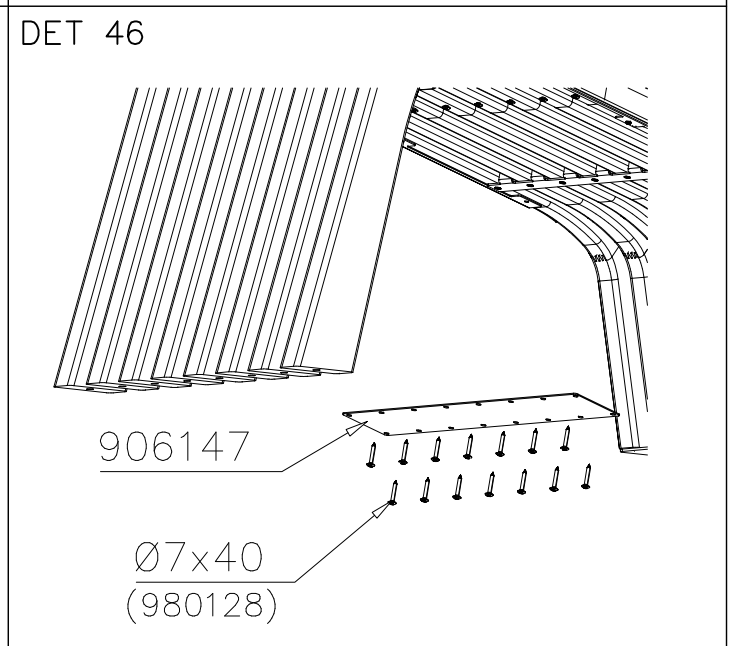
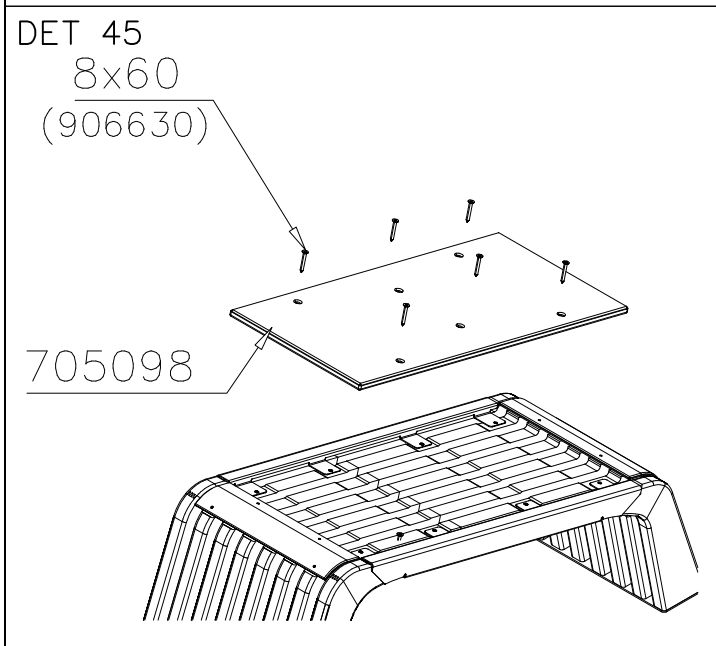
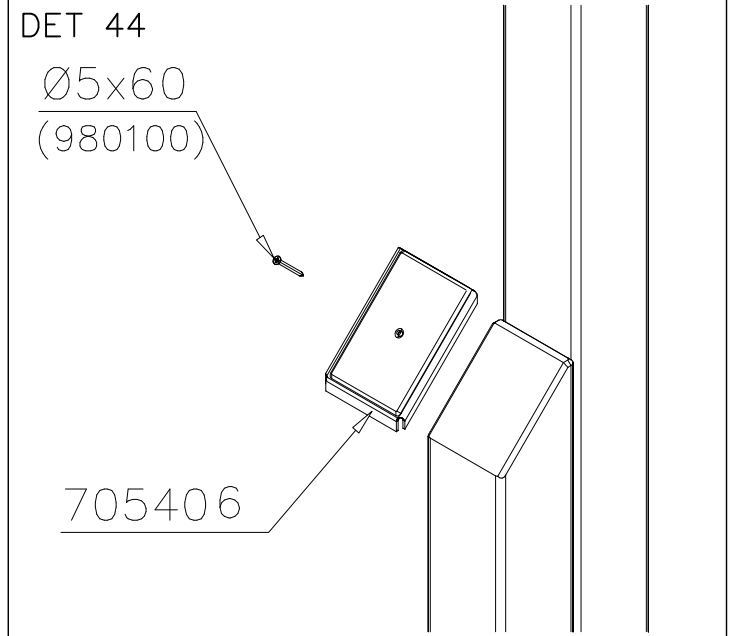
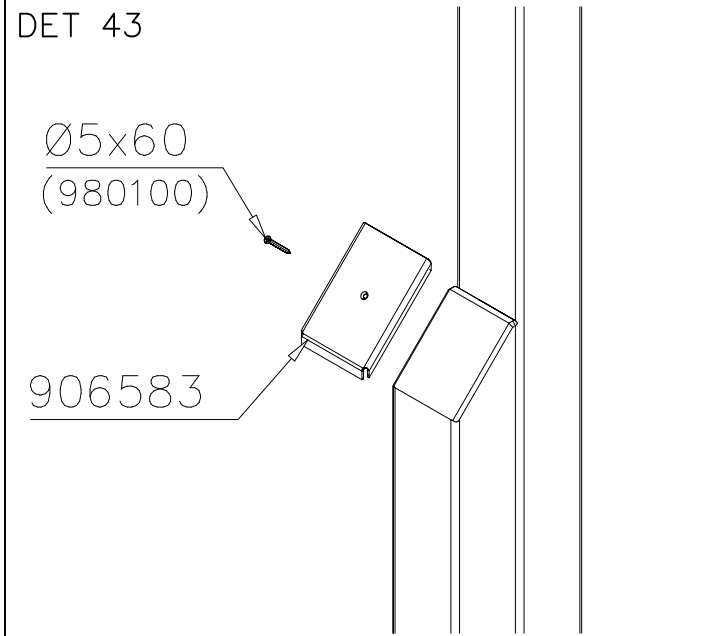


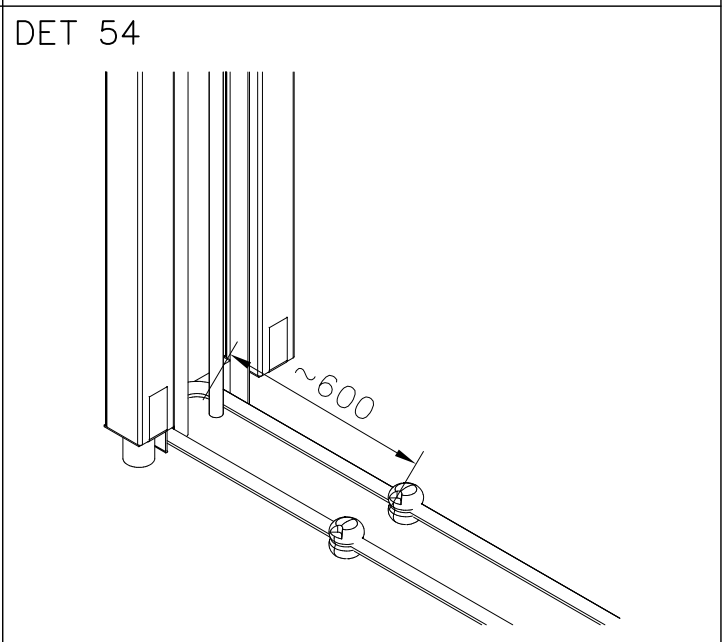
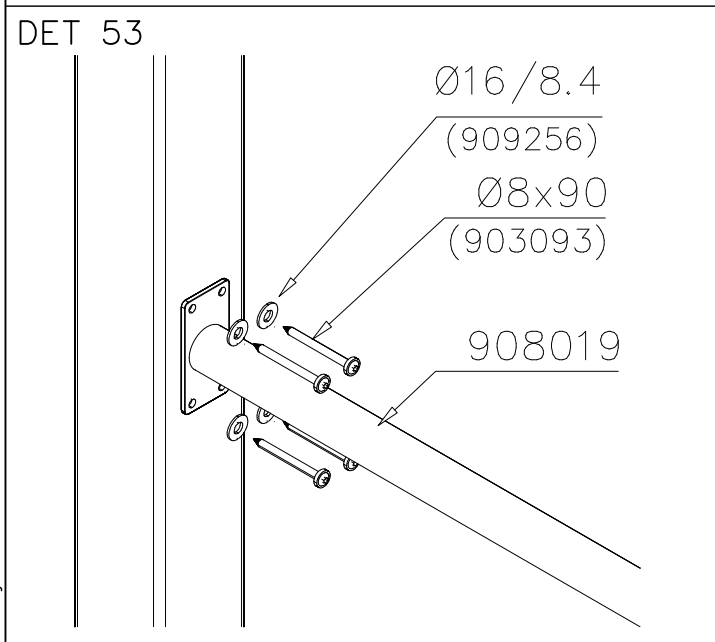
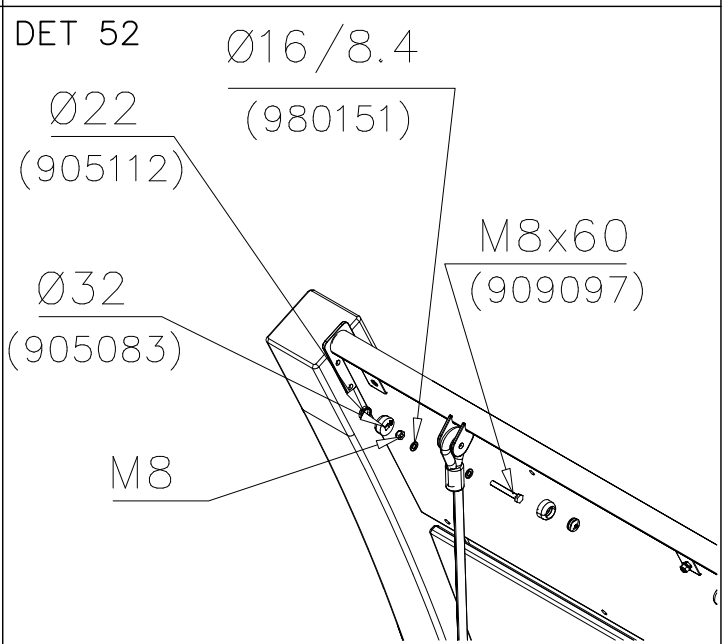
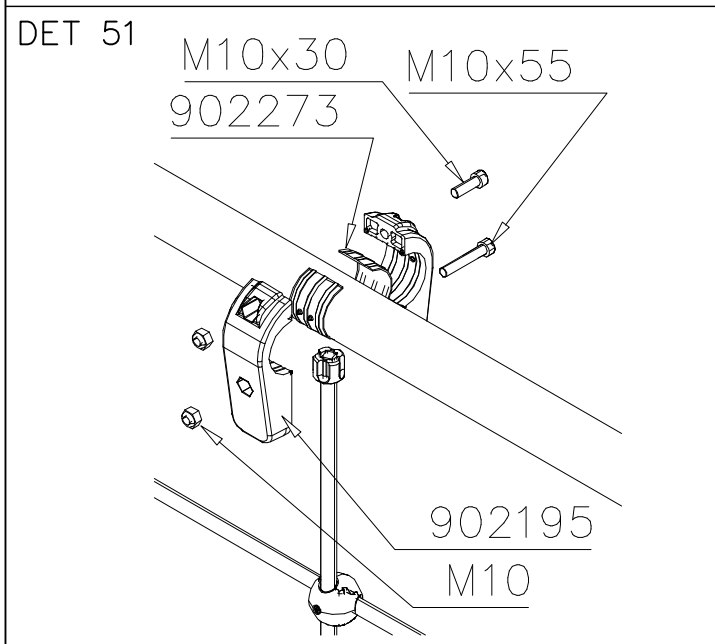
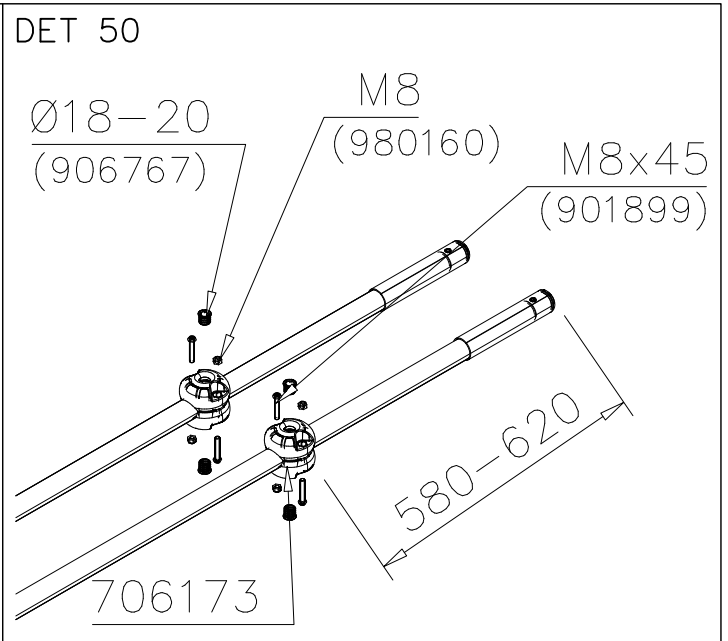
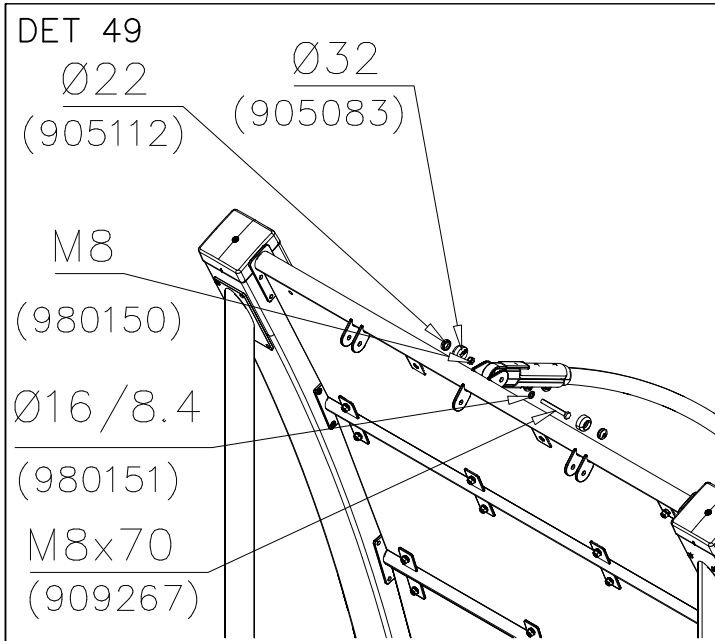




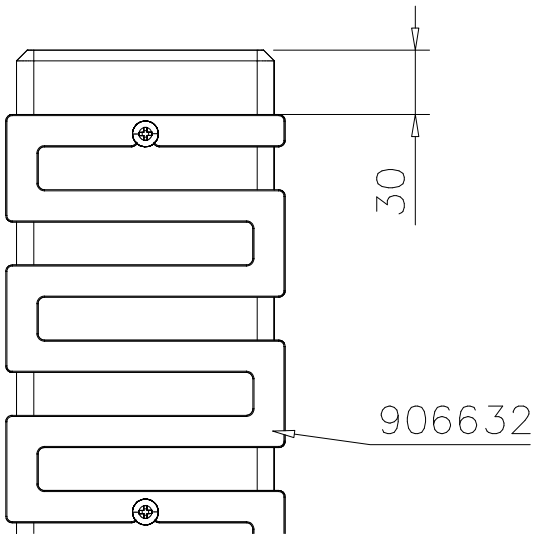




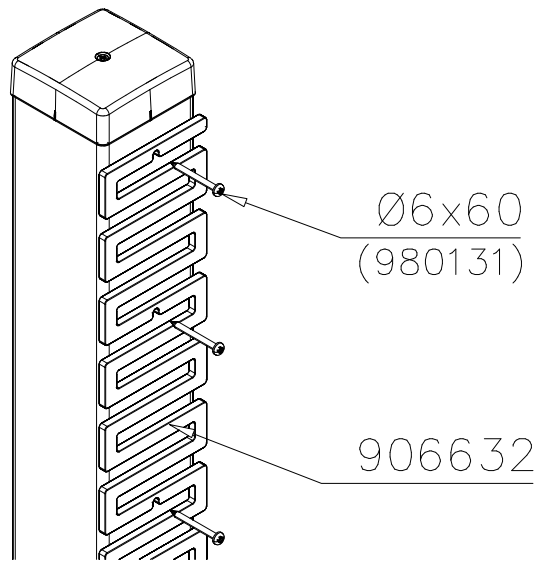




DET 55



DET 56

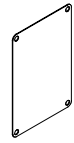



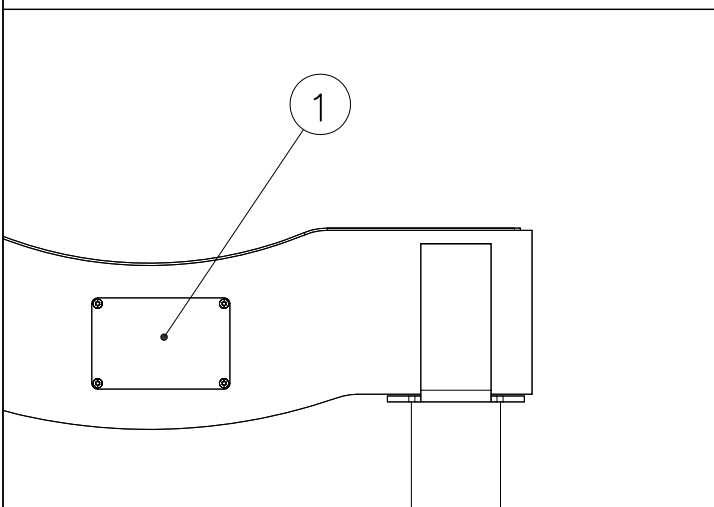
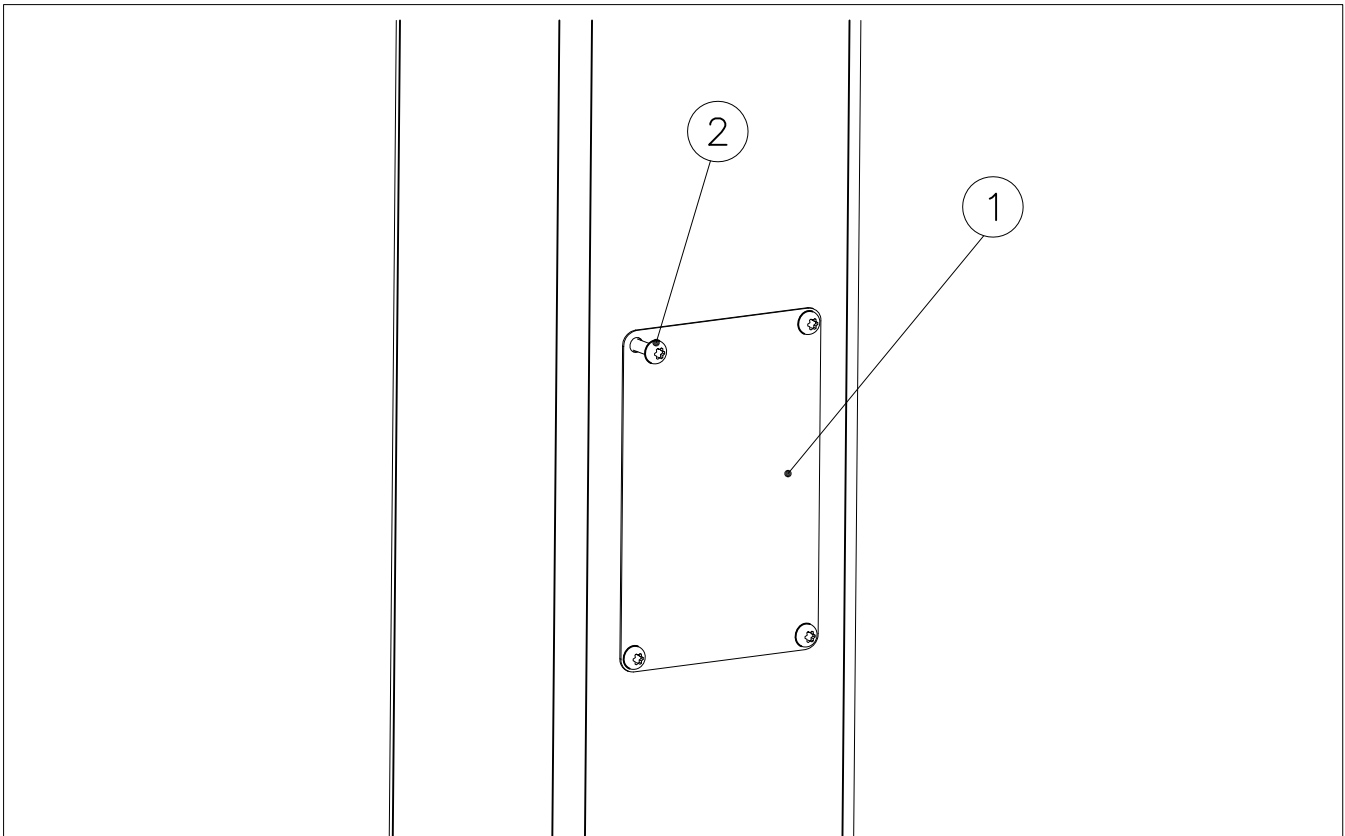
DET 57

DET 58

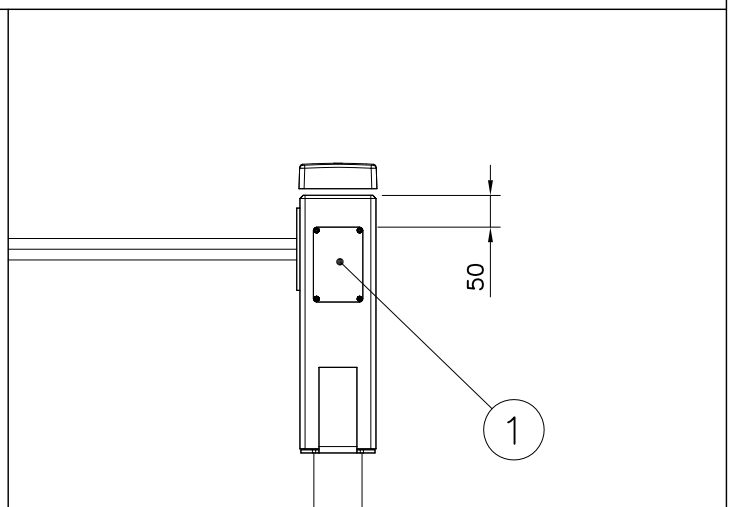
DET 59

DET 60

| | | | |
|---|-----|---|-----|
| ① SHEET METAL | PCS | ② 980114 | PCS |
|  | 1 |  | 4 |
| 118x78x0.7 | | Ø4x20 | |

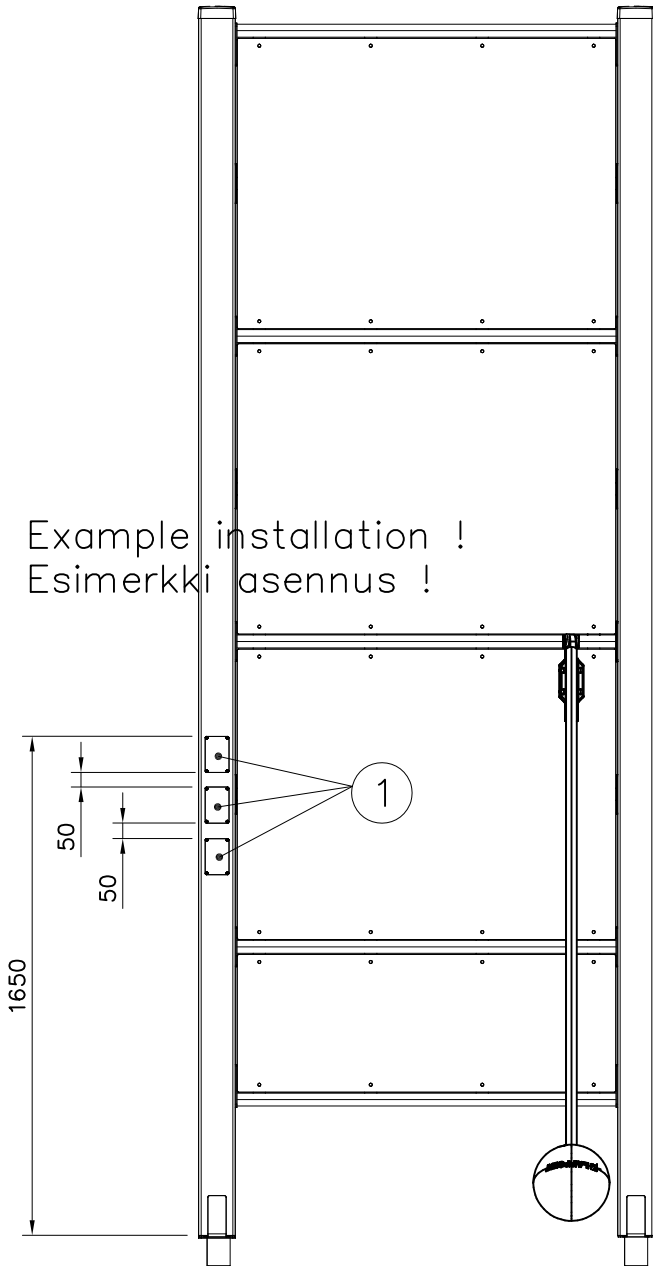


Example installation !
Esimerkki asennus !

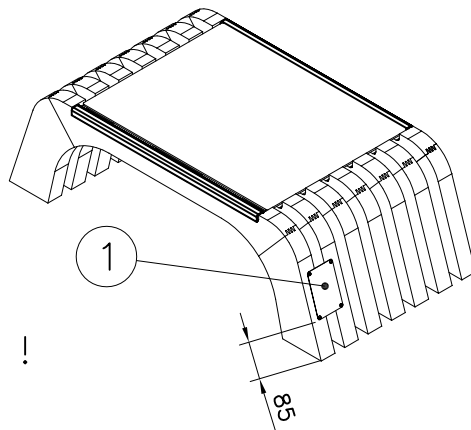
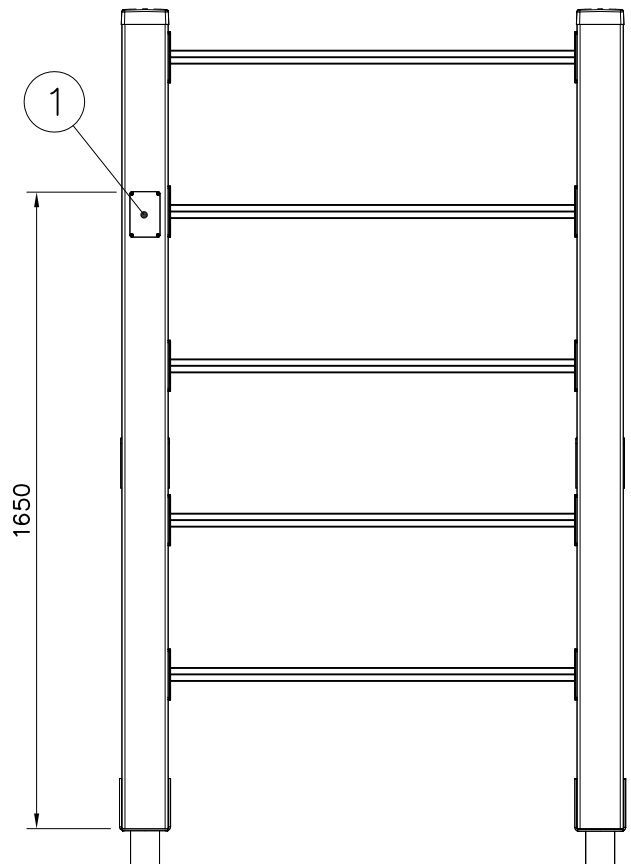


Example installation !
Esimerkki asennus !

Example installation !
Esimerkki asennus !



Example installation !
Esimerkki asennus !



Example installation !
Esimerkki asennus !