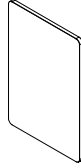
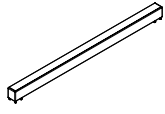

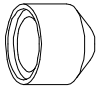
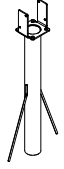


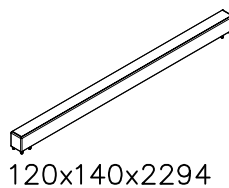
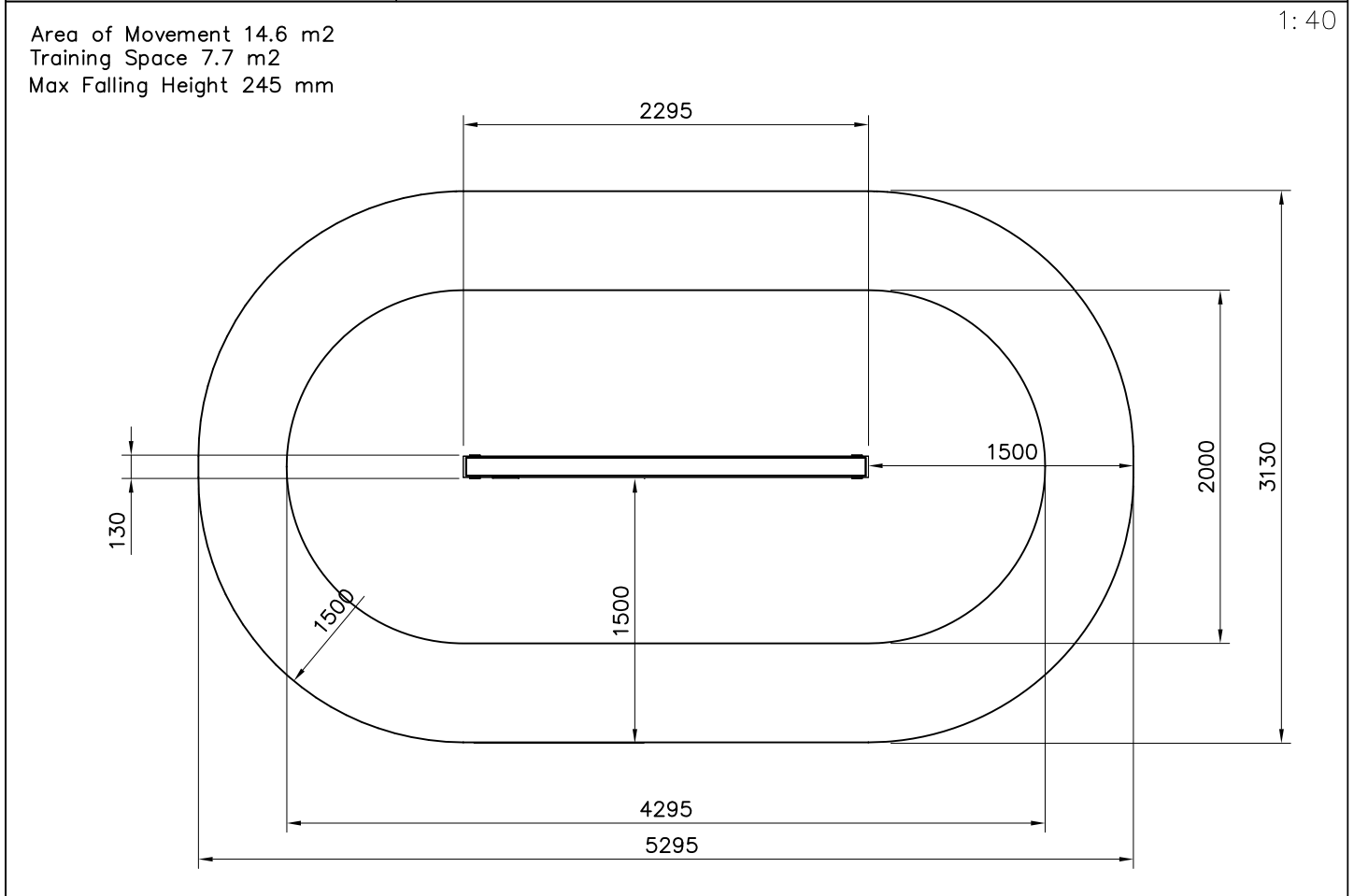
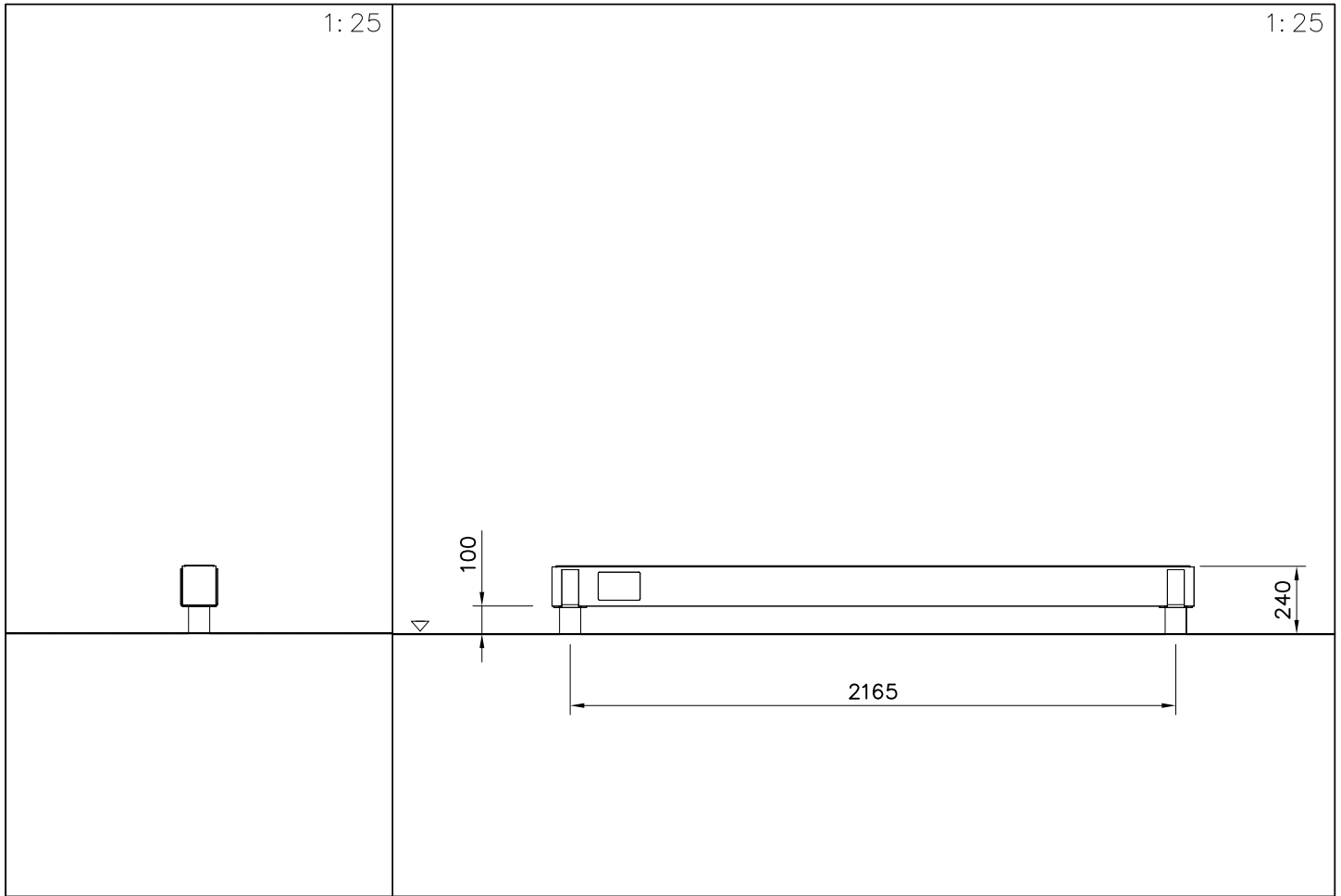


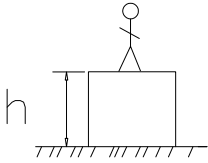



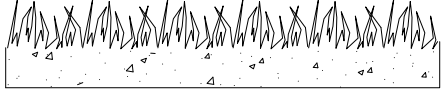
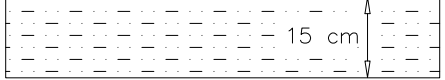
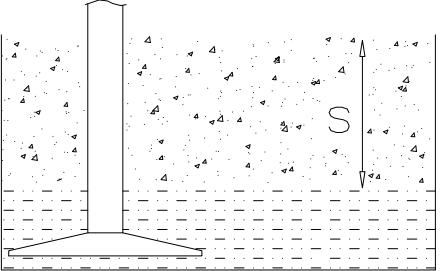
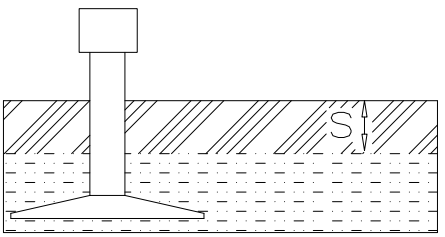
① 706042	PCS	② 705566	PCS
	1		1
		120x140x2294	
③ 980114	PCS	④ 905104	PCS
	4		8
Ø4x20		M10	
⑤ 905761	PCS	⑥ 980123	PCS
	2		8
120x120x700		Ø7x60	
⑦ 909256	PCS		PCS
	8		
Ø16/8.4			
	PCS		PCS
	PCS		PCS

Boom options:

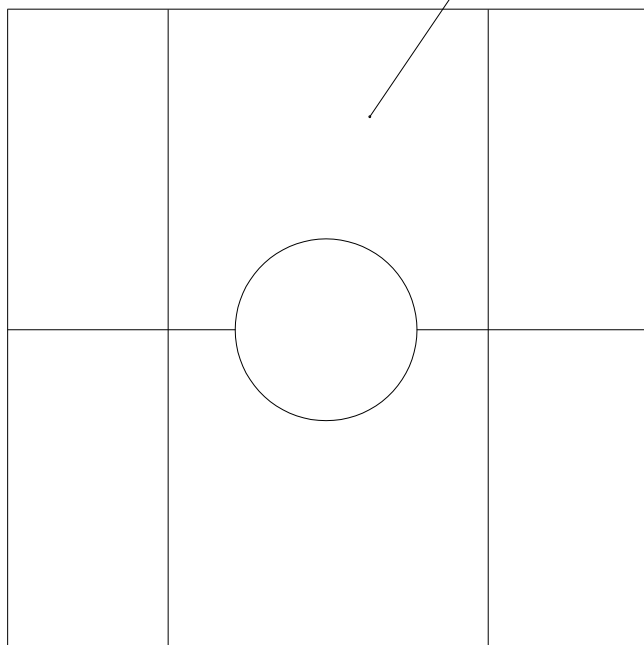


705566-602	Dark Brown
705566-603	Light Brown
705566-604	Gray

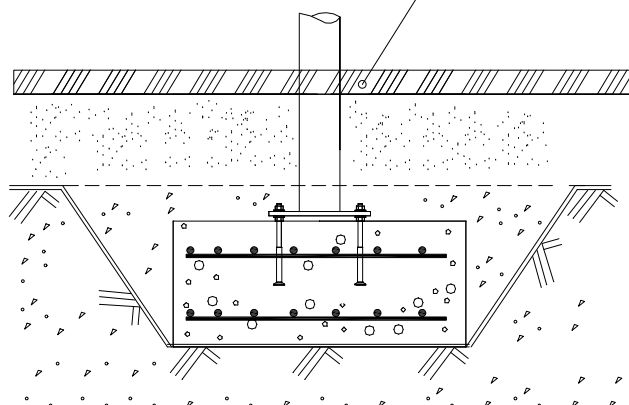


												
<p>$h < 600$</p> <p>Without movement and therefore without Impact Area</p>	<p>Totally hard surfaces.</p> <p>Note. Lappset does <u>not recommend</u> totally hard surfaces at all.</p>	<p>E.g. concrete or asphalt</p> 										
<p>$h < 600$</p> <p>With movement e.g. rocking</p>	<p>Materials with very limited impact attenuating properties.</p>	<p>E.g. wood</p> 										
<p>$h < 1000$</p>	<p>Materials with significant impact attenuating properties.</p>	<p>fine gravel 0–8 mm</p>  <p>grass</p>  <p>unsorted sand</p> 										
<p>$h < 3000$</p>	<p>Loose fill material</p> <p>E.g. sand/gravel 0,25...8 mm D60/D10<3,0 Woodchips 5...30 mm bark 20...80 mm</p>	 <table data-bbox="1021 1691 1324 1792"> <tr> <td>\underline{S}</td> <td>\underline{h}</td> </tr> <tr> <td>30 cm</td> <td>< 2,0 m</td> </tr> <tr> <td>40 cm</td> <td>< 3,0 m</td> </tr> </table>	\underline{S}	\underline{h}	30 cm	< 2,0 m	40 cm	< 3,0 m				
\underline{S}	\underline{h}											
30 cm	< 2,0 m											
40 cm	< 3,0 m											
	<p>Syntethic granulates</p> <table data-bbox="399 1892 750 2060"> <tr> <td>\underline{S}</td> <td>\underline{h}</td> </tr> <tr> <td>40 mm</td> <td>~> 1,2...1,3 m</td> </tr> <tr> <td>50 mm</td> <td>~> 1,5...1,7 m</td> </tr> <tr> <td>60 mm</td> <td>~> 1,8...2,0 m</td> </tr> <tr> <td>70 mm</td> <td>~> 2,1...2,5 m</td> </tr> </table> <p>Note. For accurate values, see manufacturer's instructions.</p>	\underline{S}	\underline{h}	40 mm	~> 1,2...1,3 m	50 mm	~> 1,5...1,7 m	60 mm	~> 1,8...2,0 m	70 mm	~> 2,1...2,5 m	
\underline{S}	\underline{h}											
40 mm	~> 1,2...1,3 m											
50 mm	~> 1,5...1,7 m											
60 mm	~> 1,8...2,0 m											
70 mm	~> 2,1...2,5 m											

REMOVE SAFETY SURFACE/SAND/GRAVEL
TO CHECK FOUNDATION

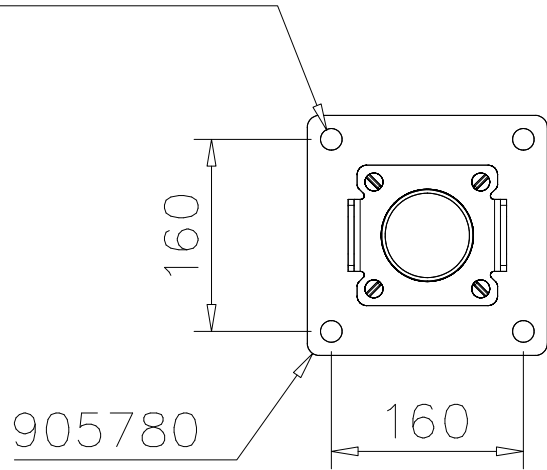


REMOVE SAFETY SURFACE/SAND/GRAVEL
TO CHECK FOUNDATION

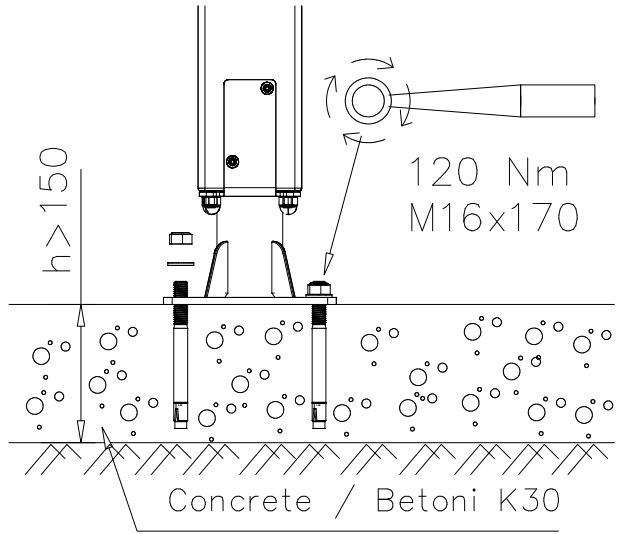


DET 1

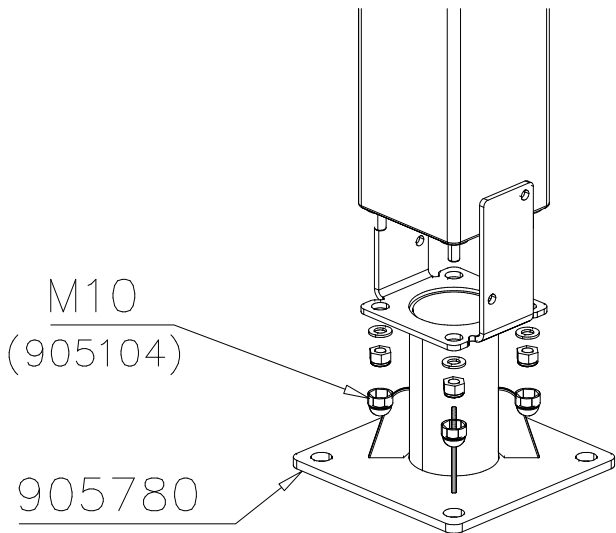
$\varnothing 16 \downarrow > 130$



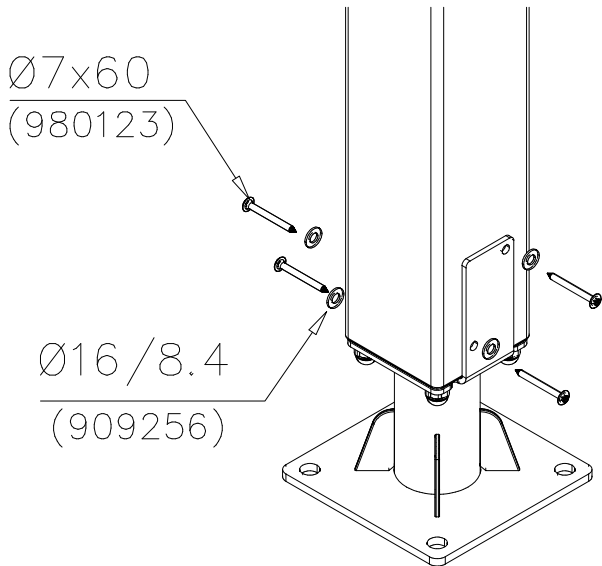
DET 2



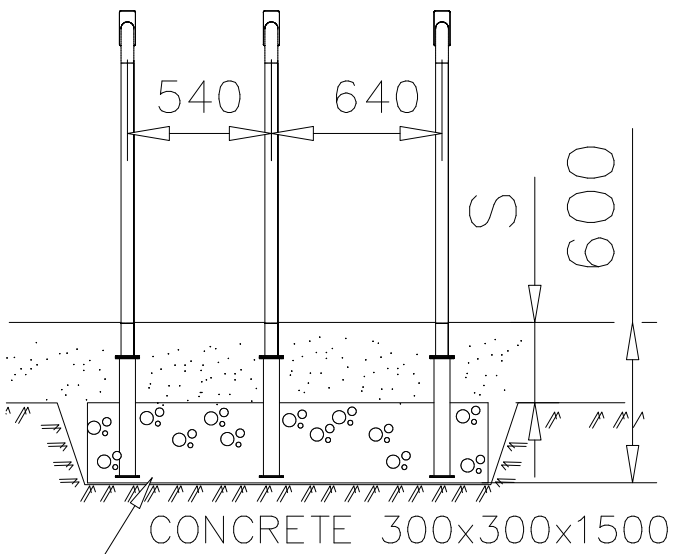
DET 3



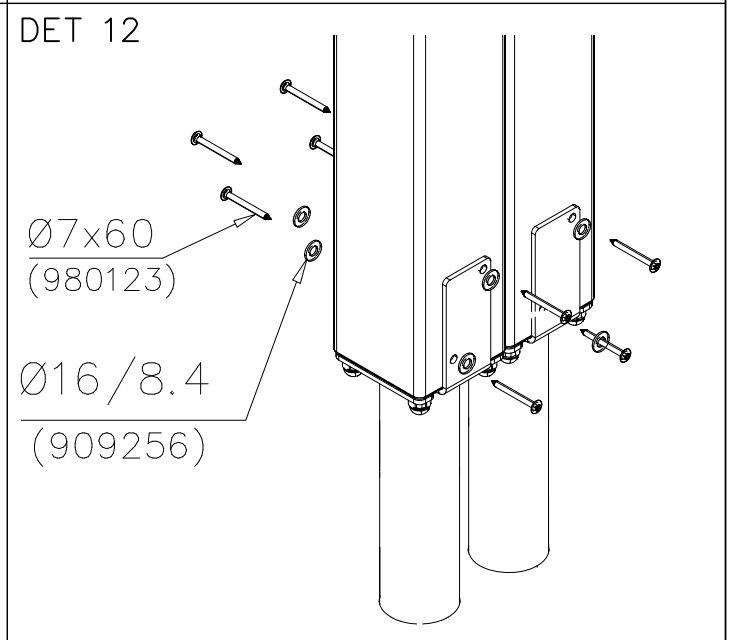
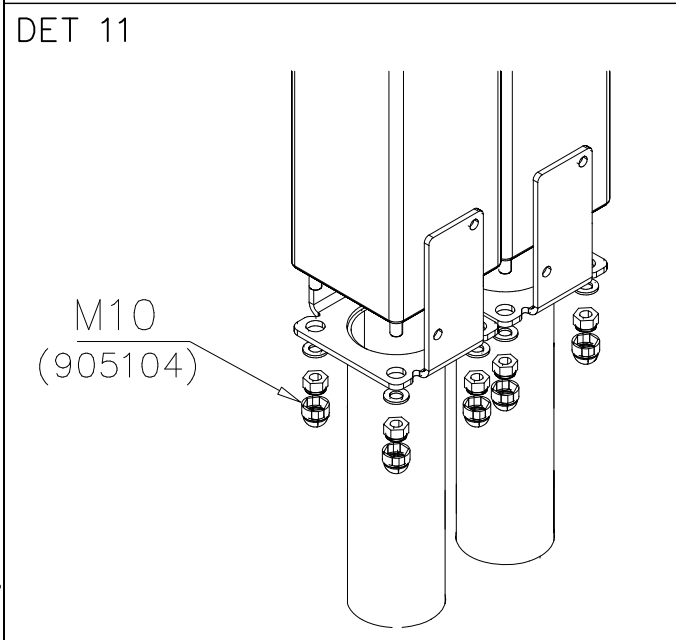
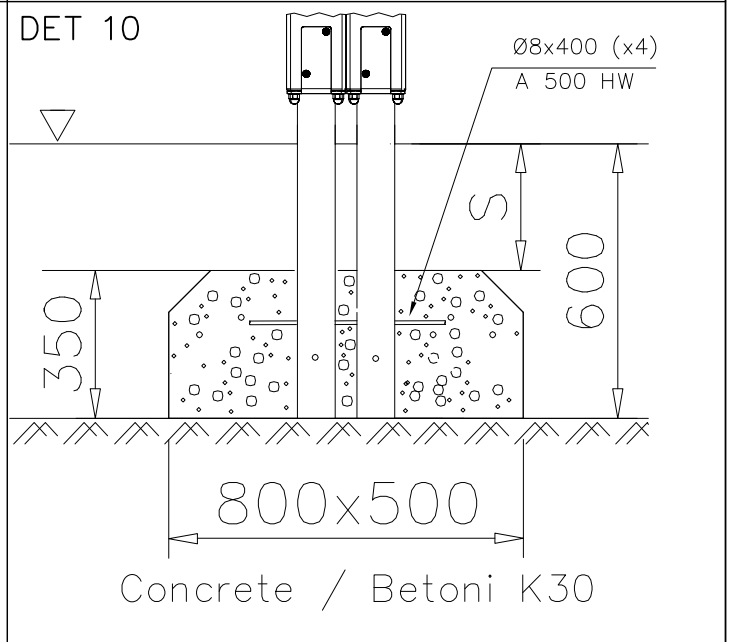
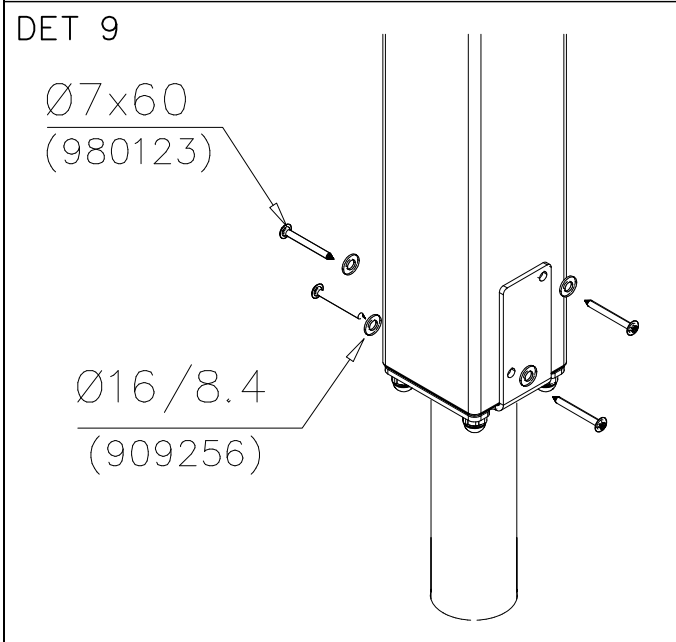
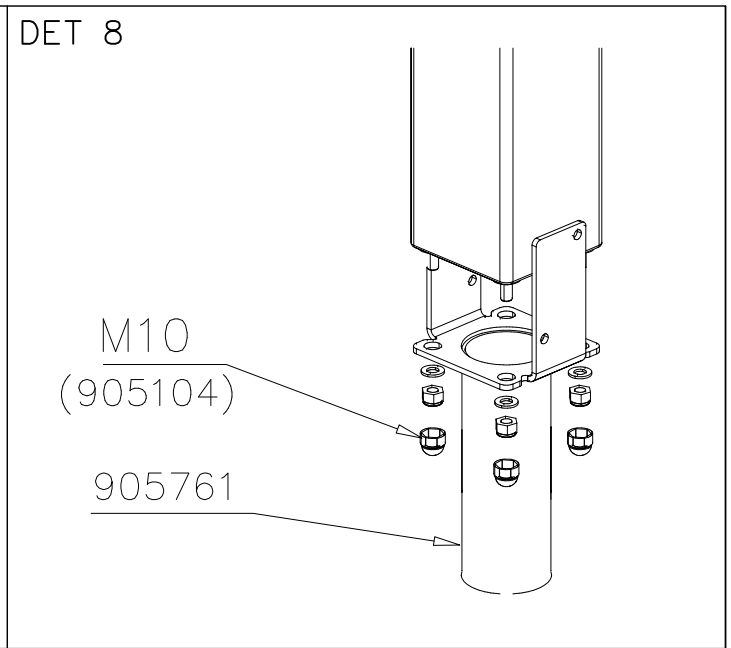
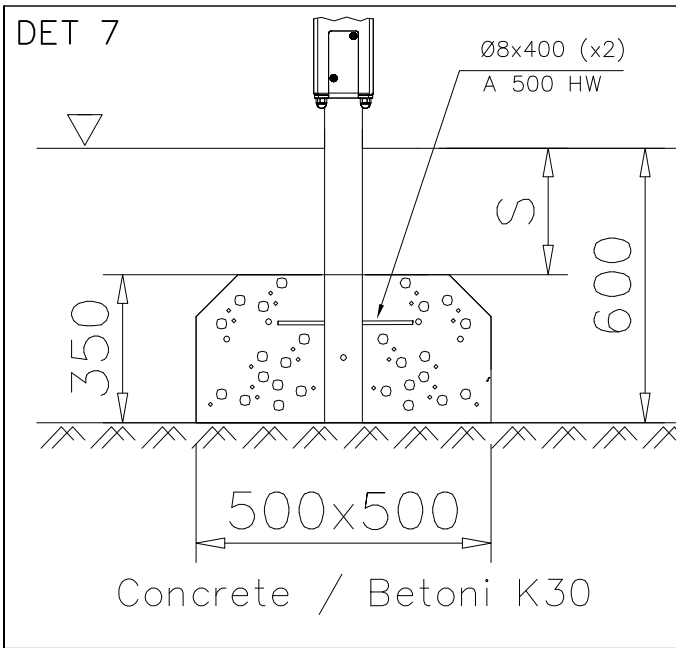
DET 4

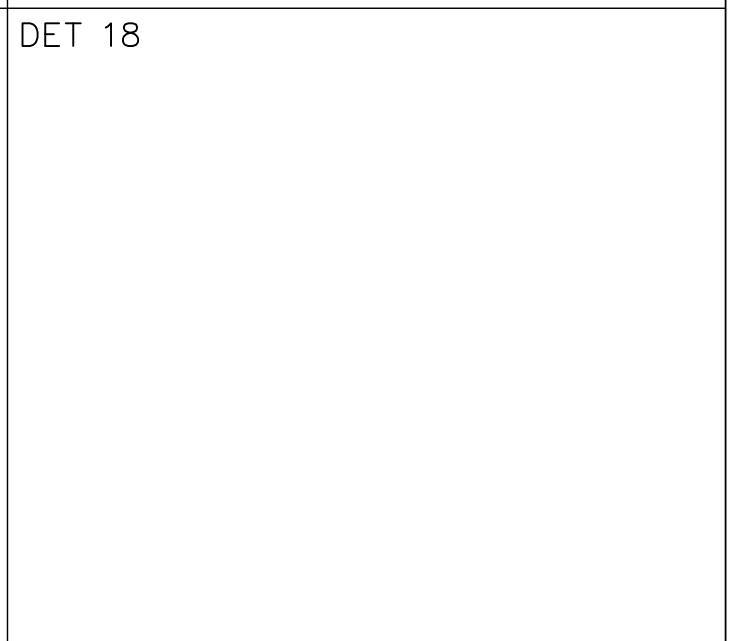
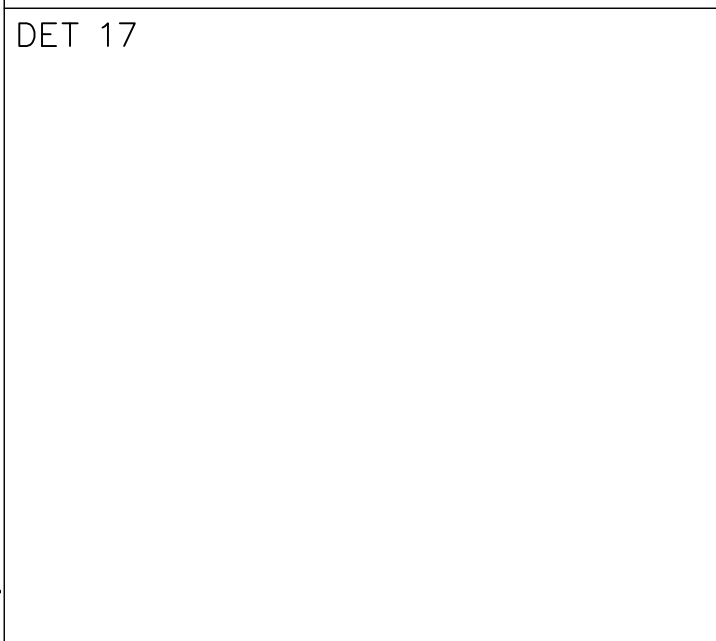
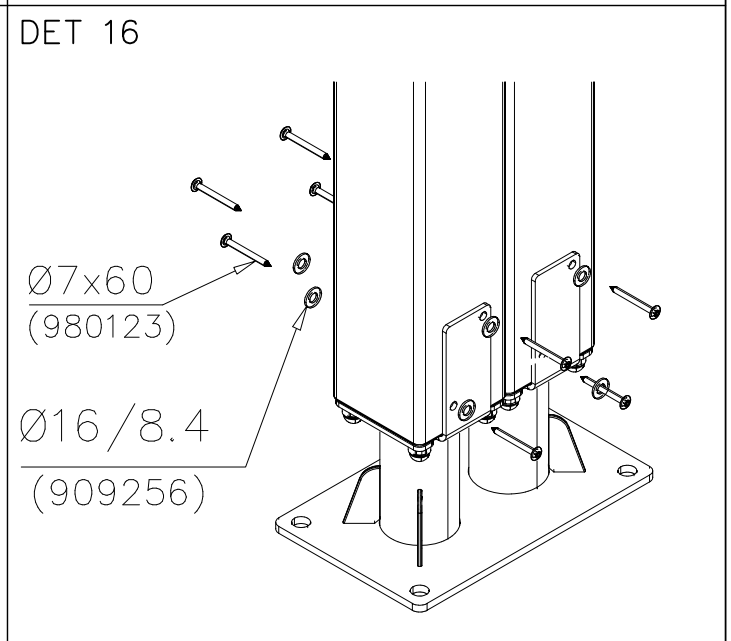
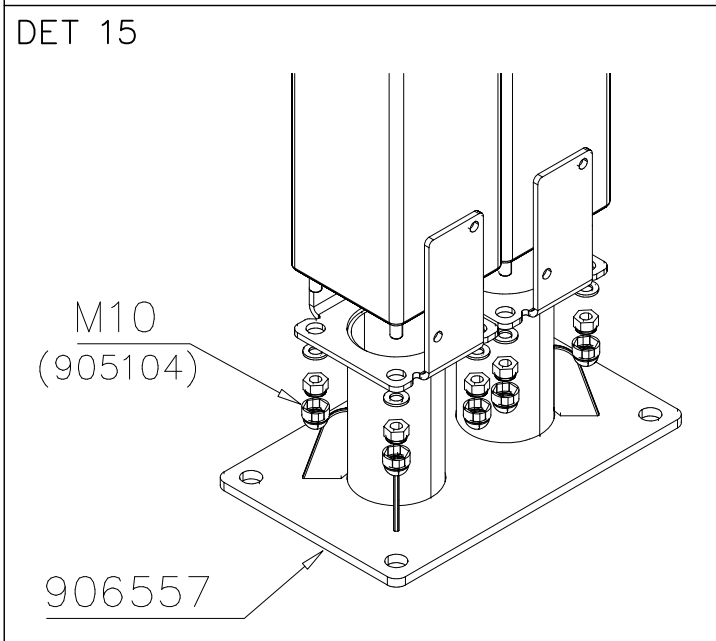
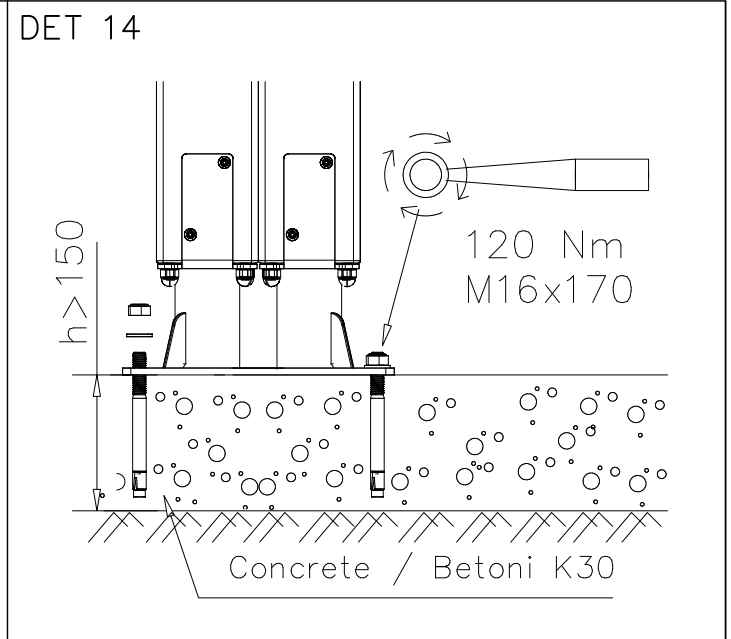
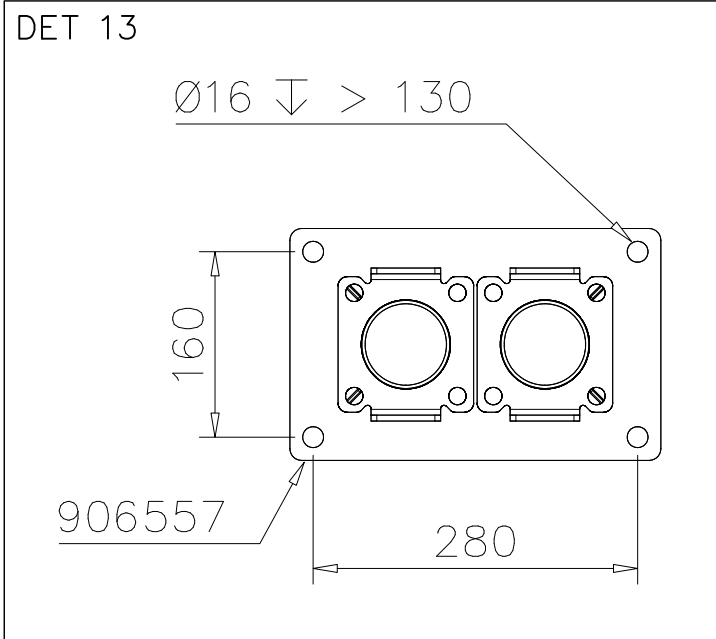


DET 5



DET 6





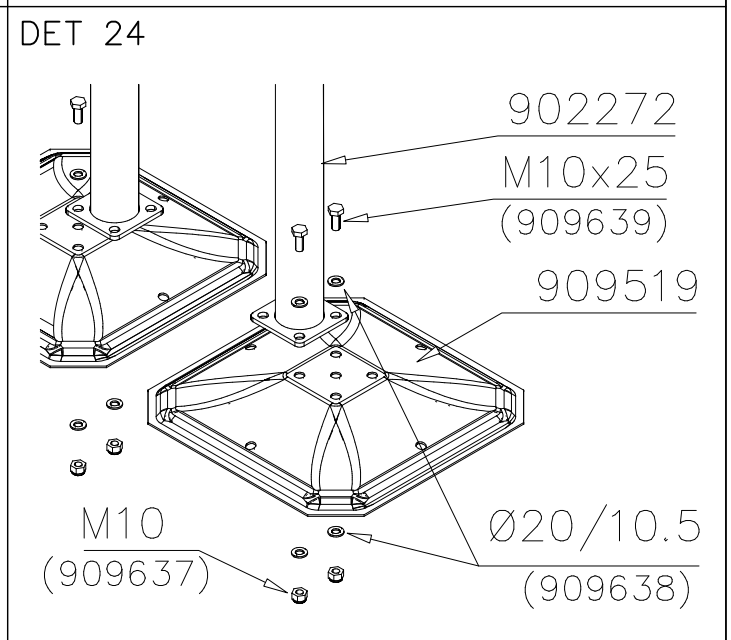
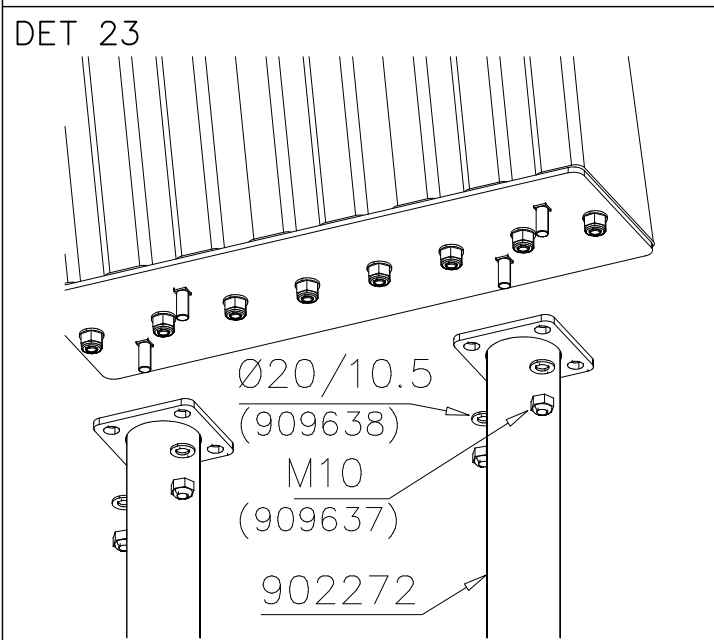
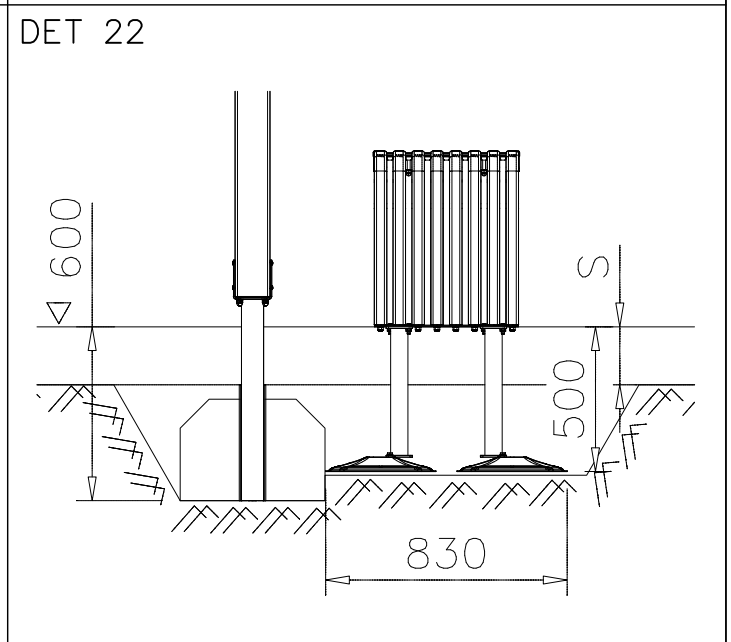
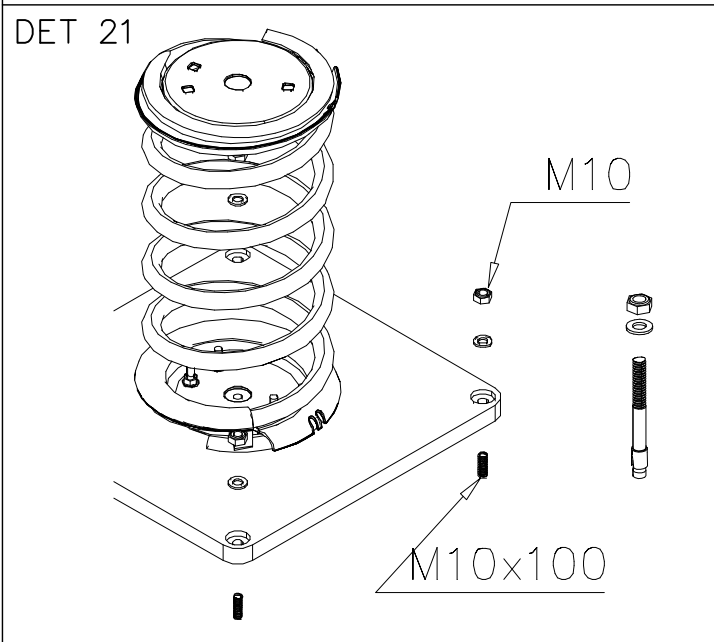
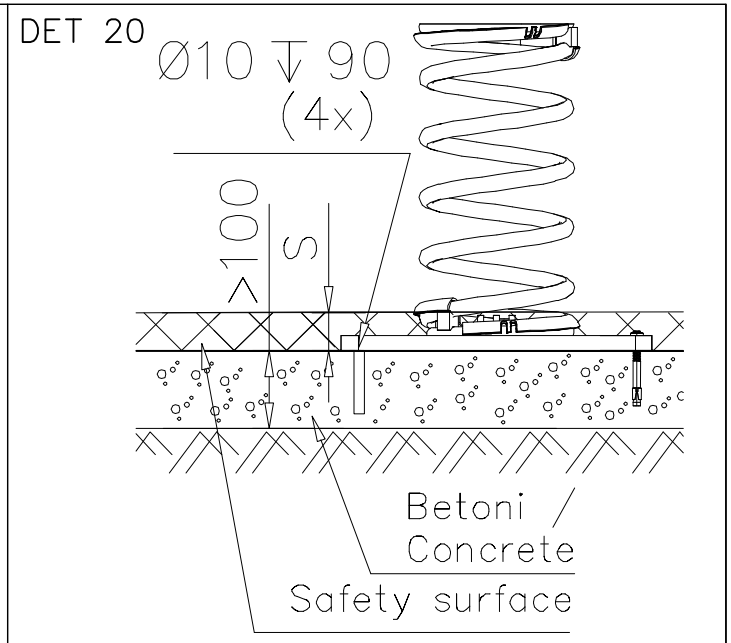
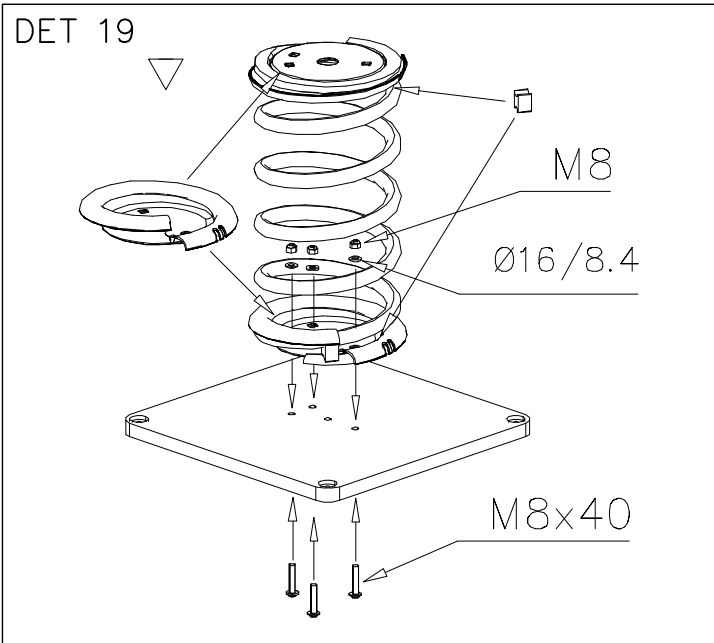
WINAM GROUP SPORT

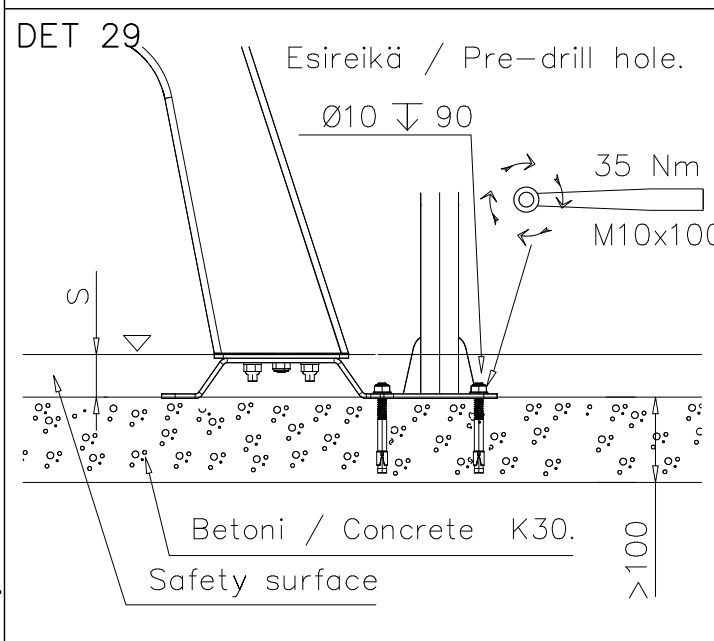
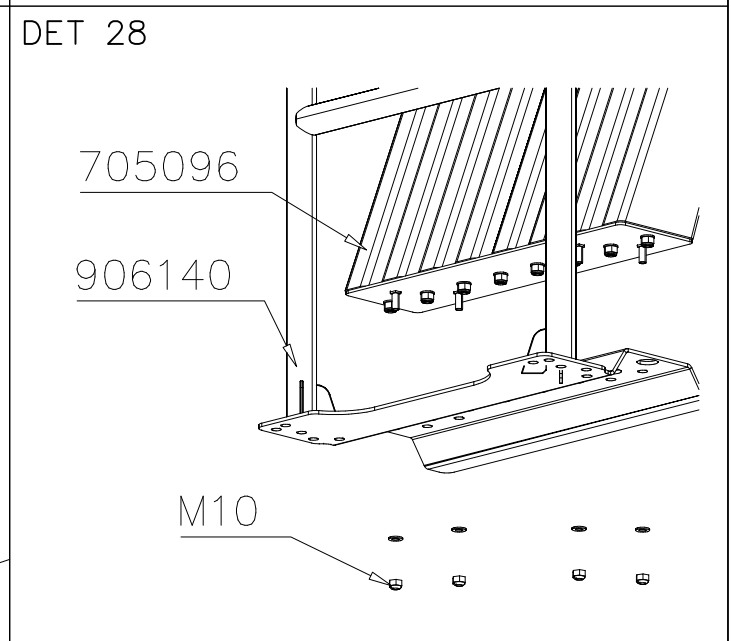
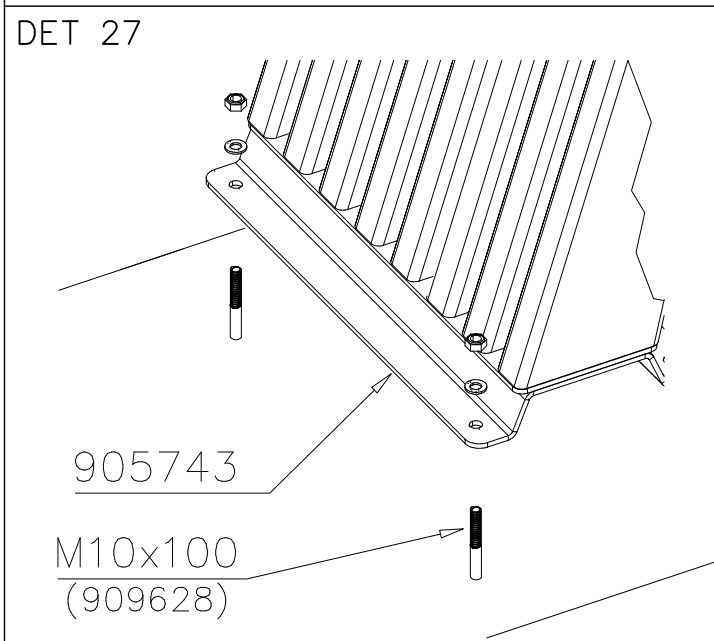
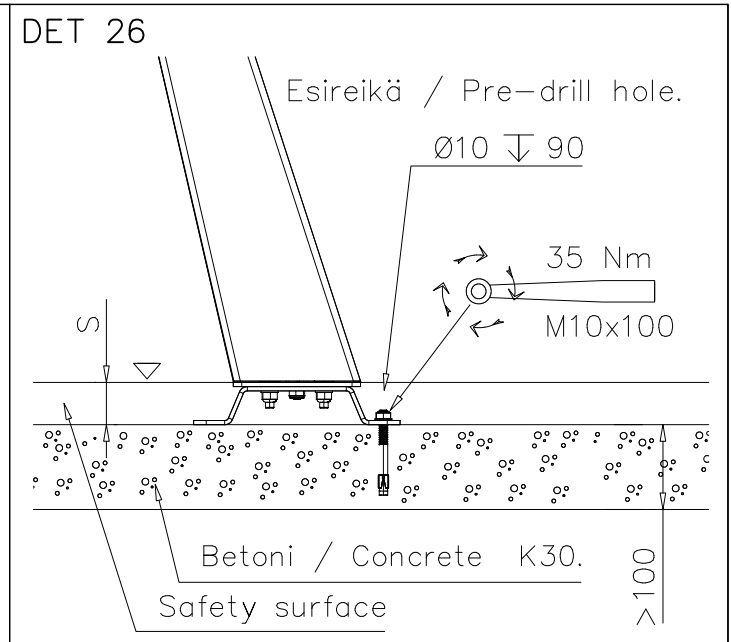
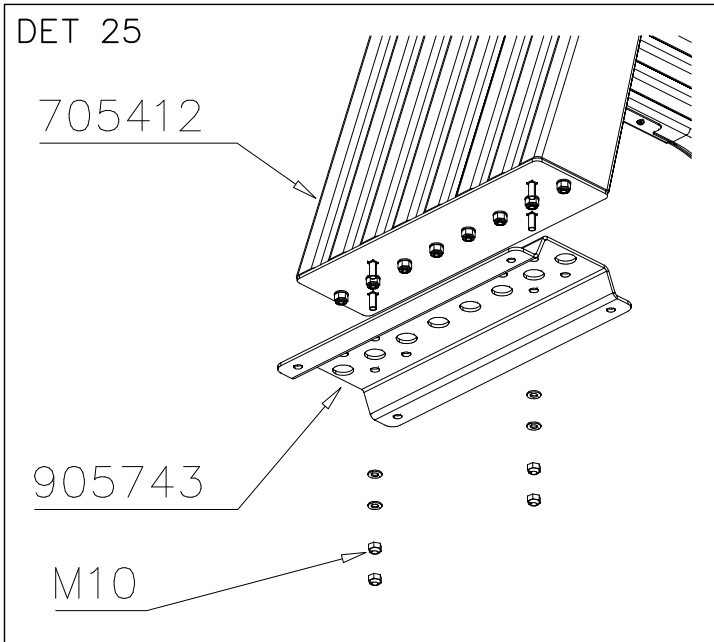
BASE

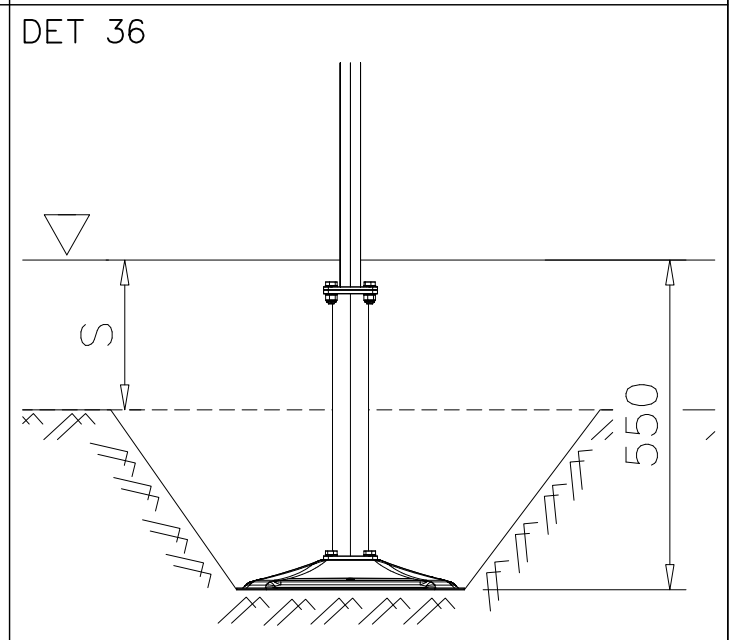
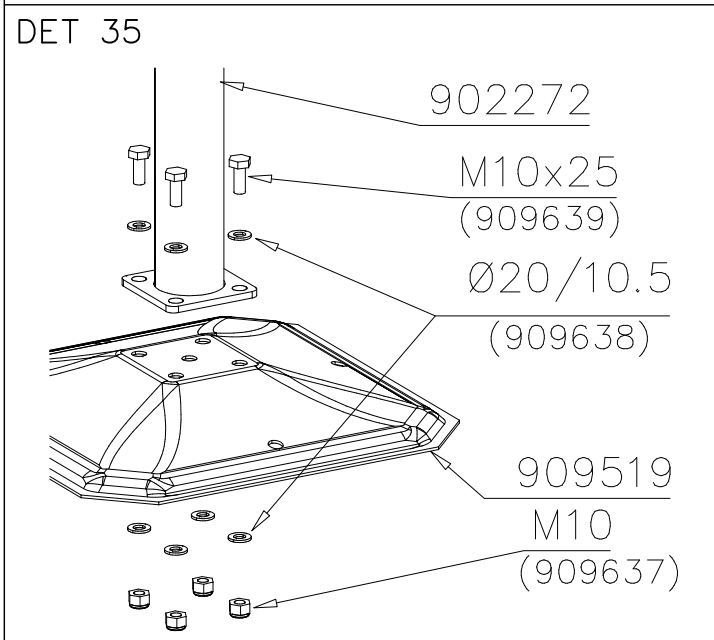
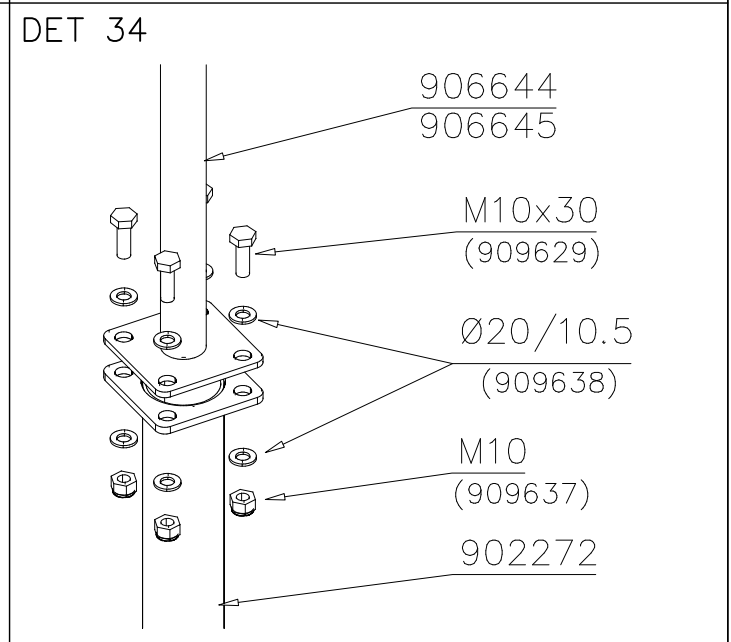
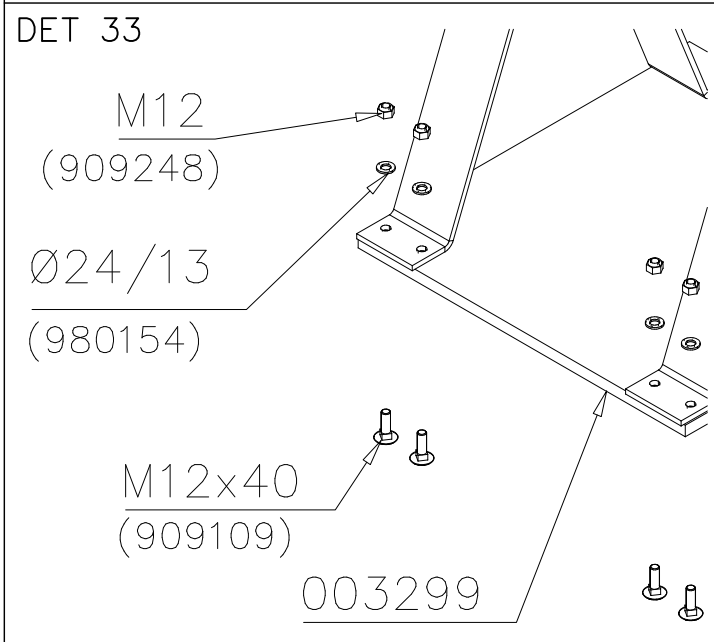
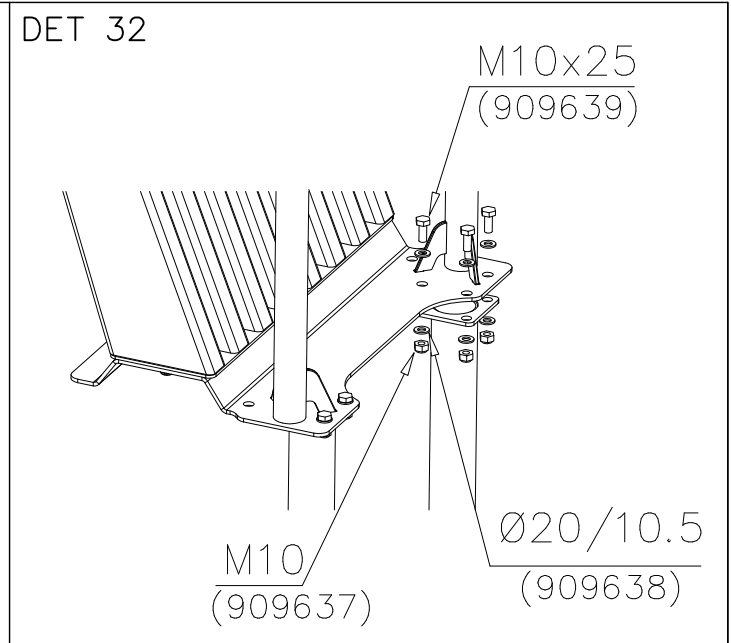
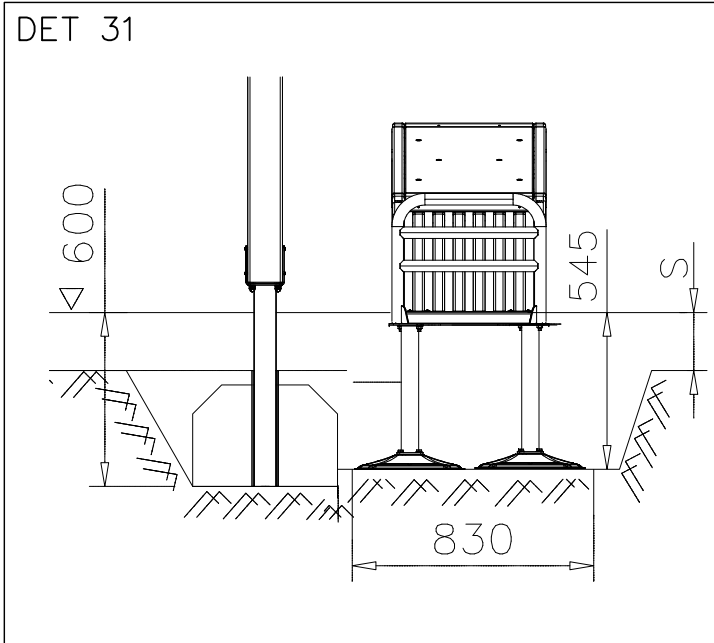


PLAY 4(10)

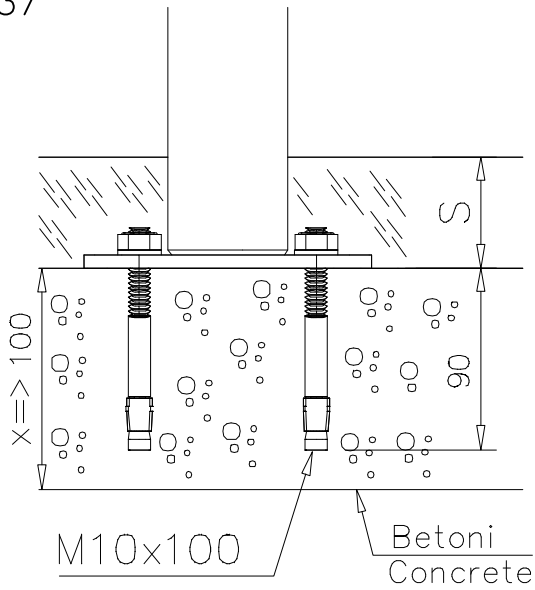
DATE: 29.4.2015



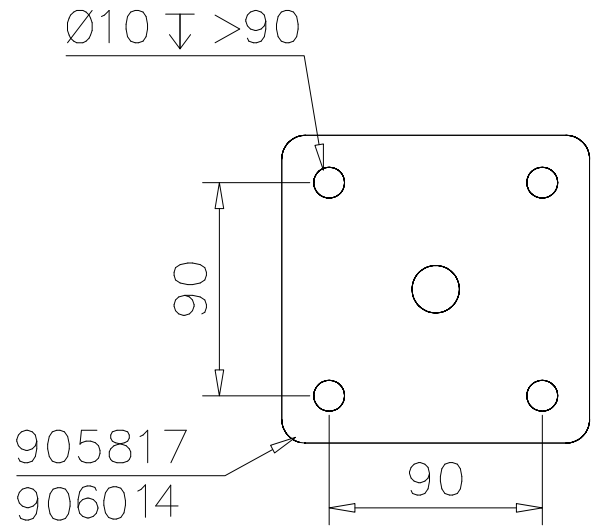




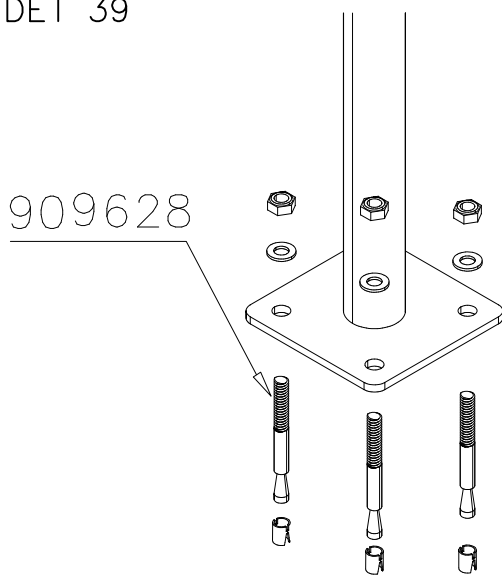
DET 37



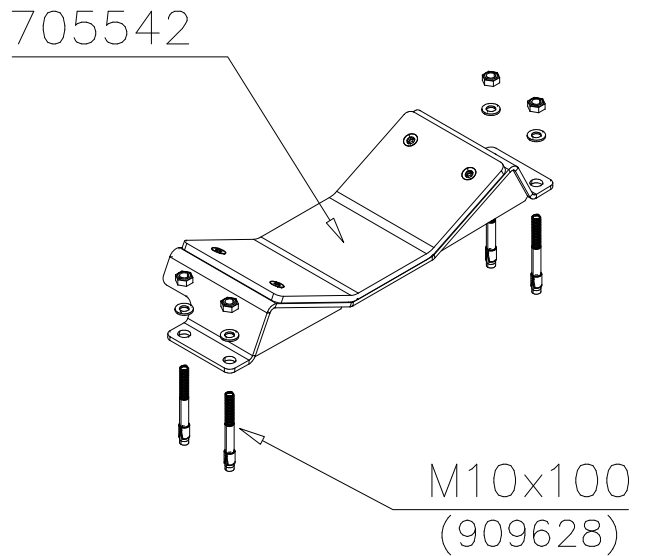
DET 38



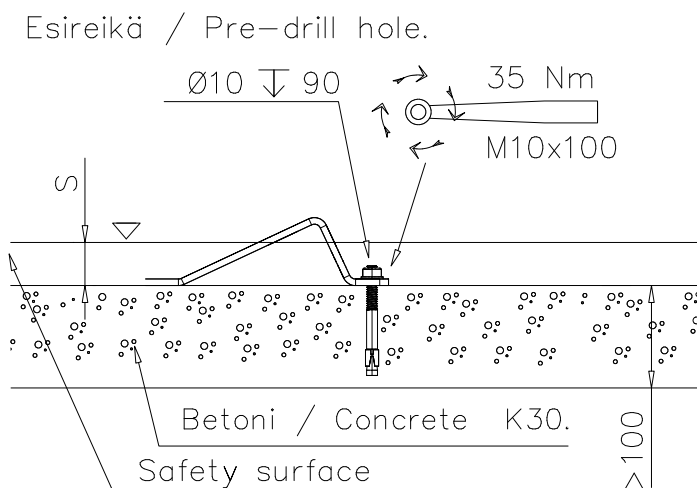
DET 39



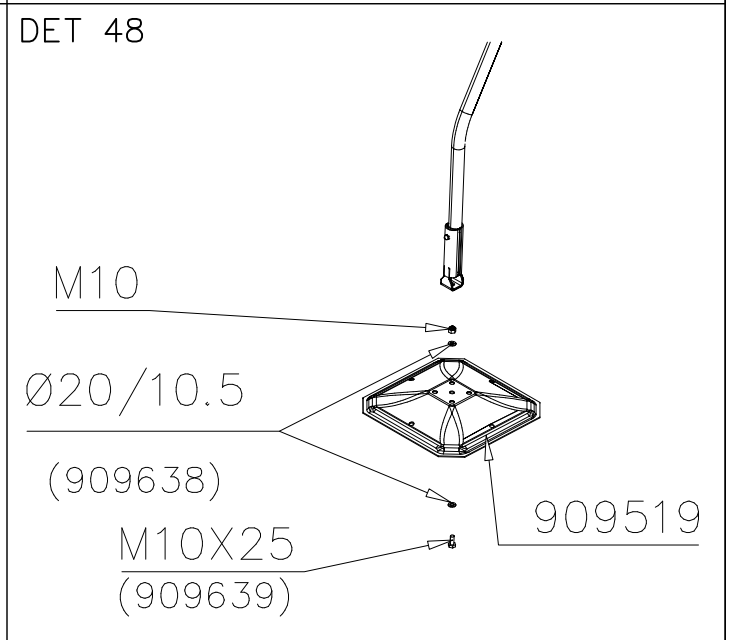
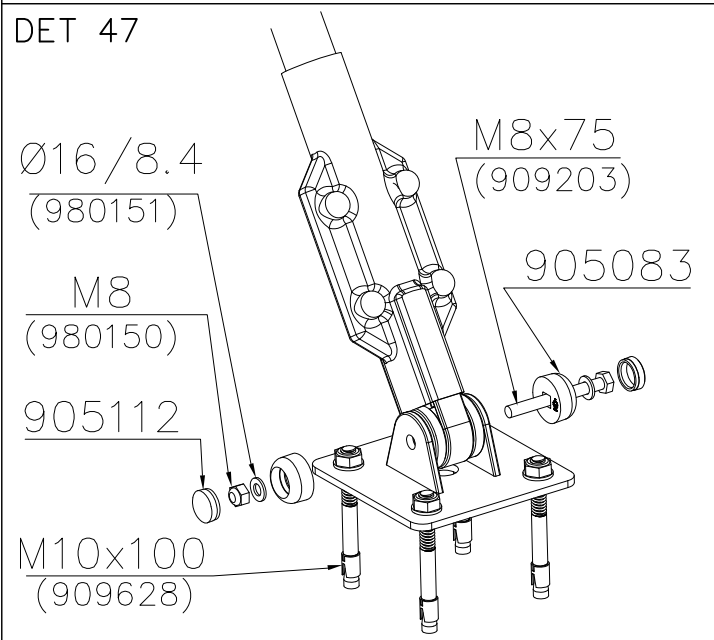
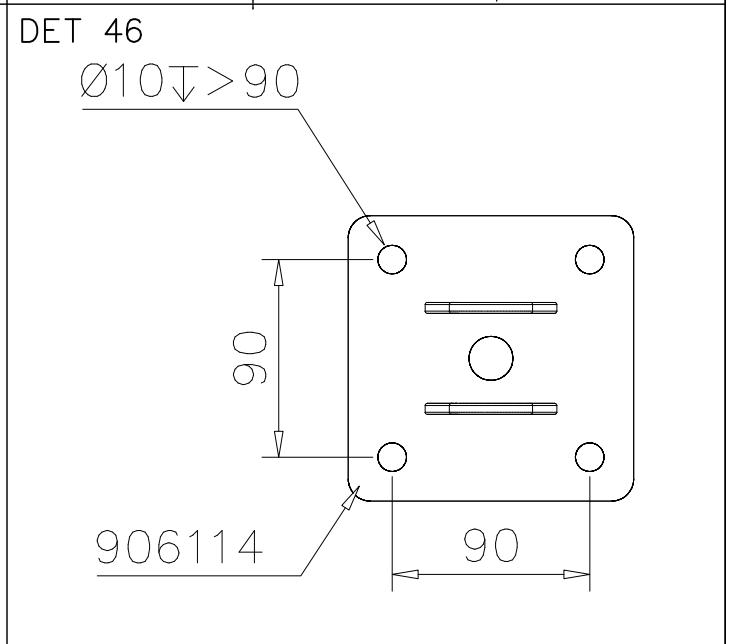
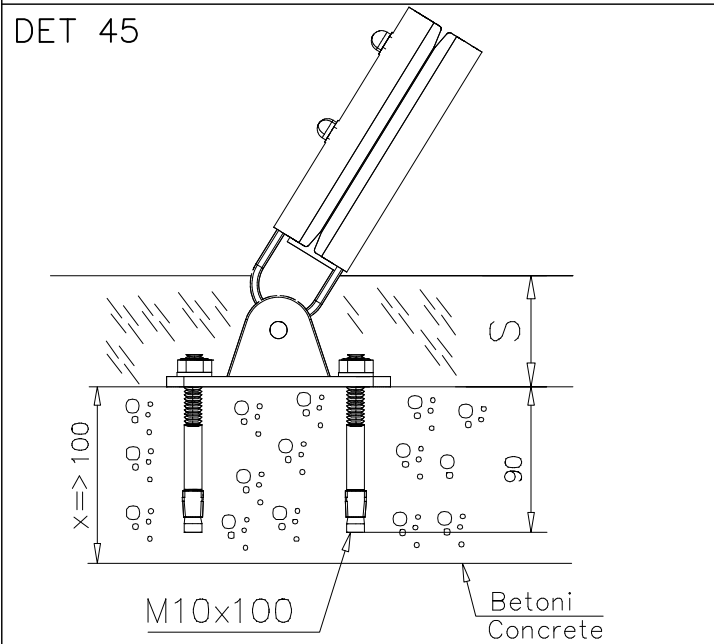
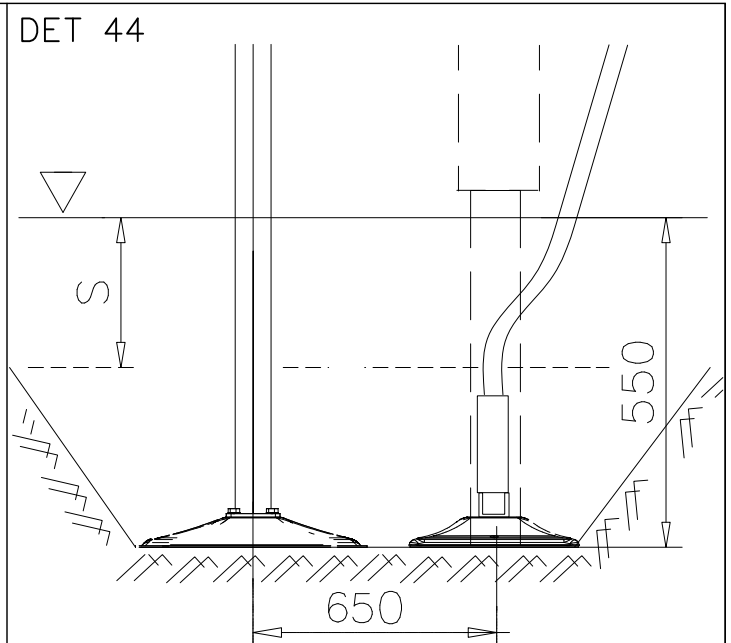
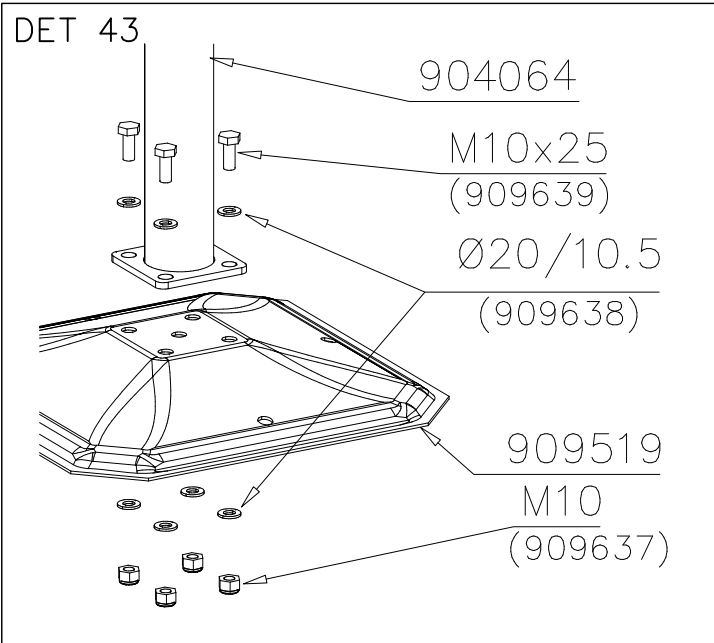
DET 40



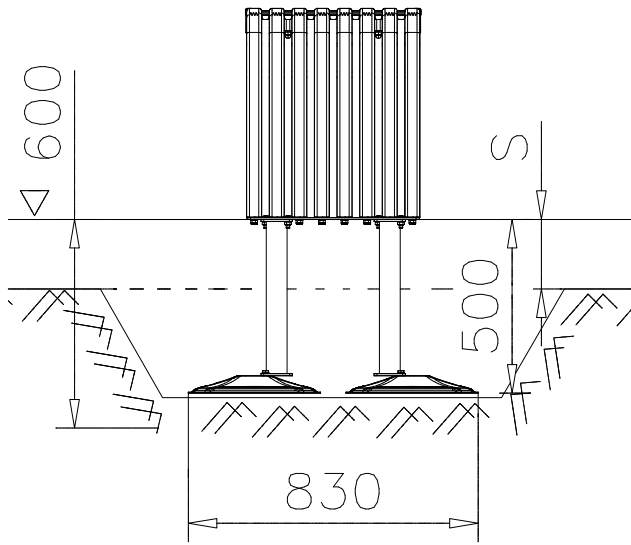
DET 41



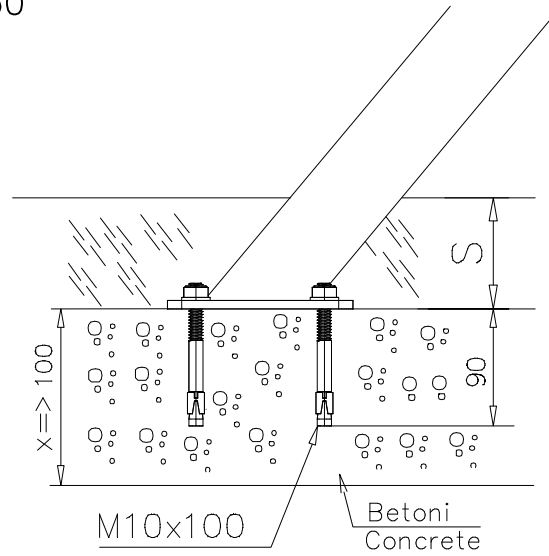
DET 42



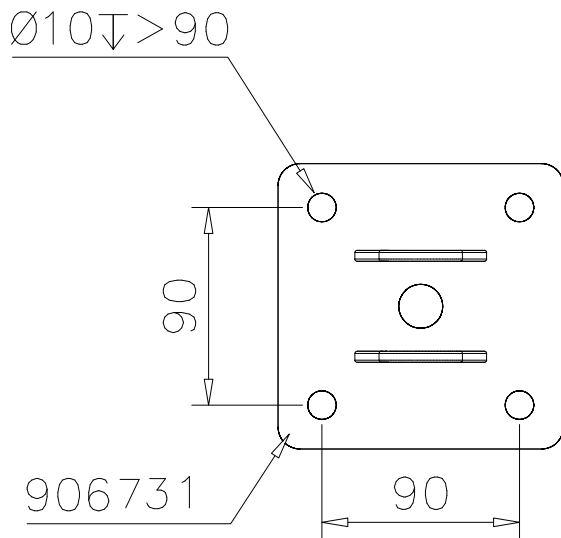
DET 49



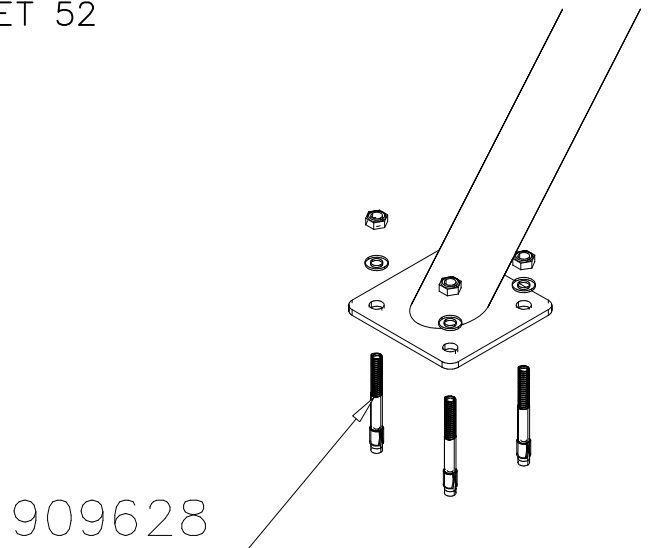
DET 50



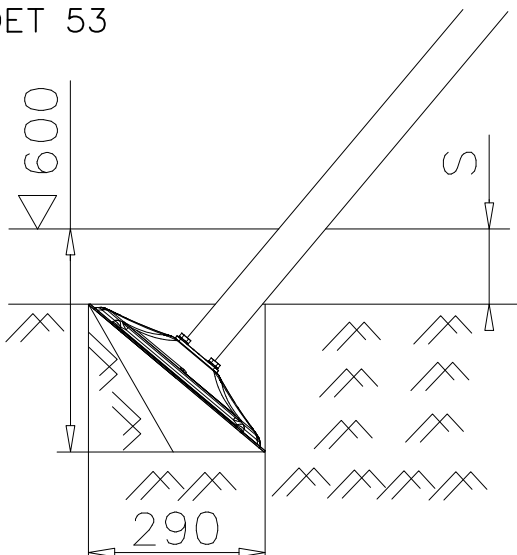
DET 51



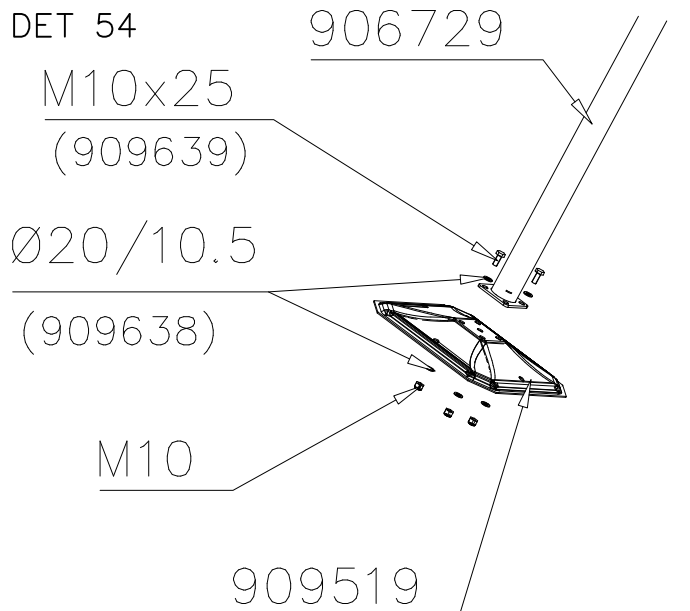
DET 52



DET 53

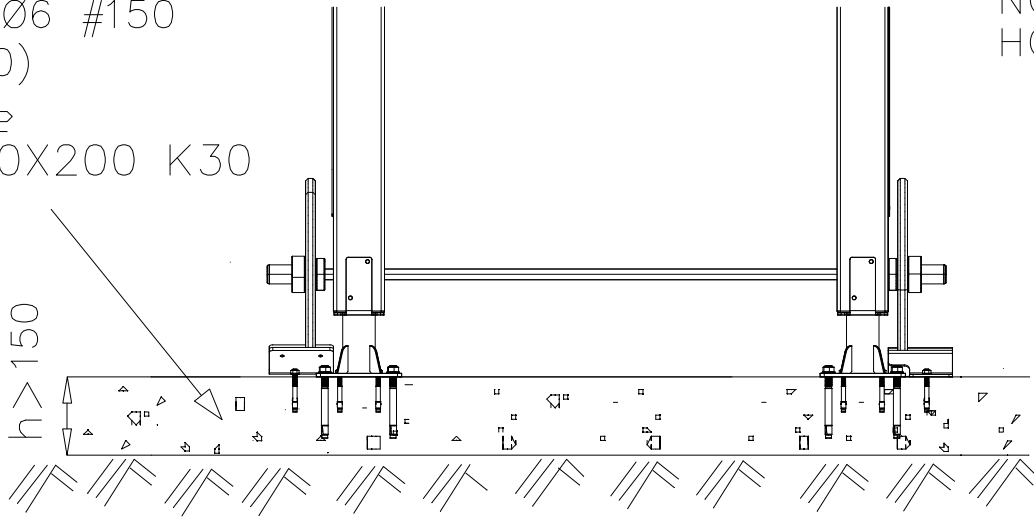


DET 54



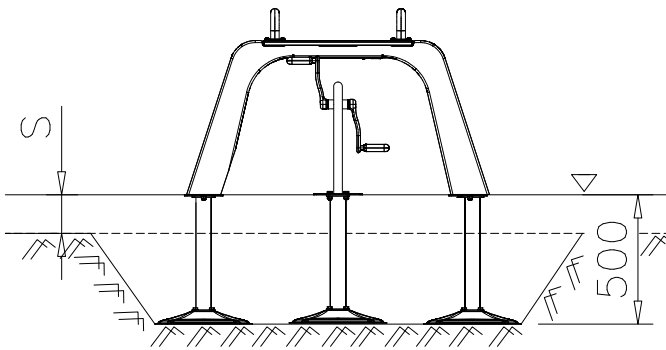
DET 55

STEELNET Ø6 #150
(1400x2100)
Concrete
1500X2200X200 K30

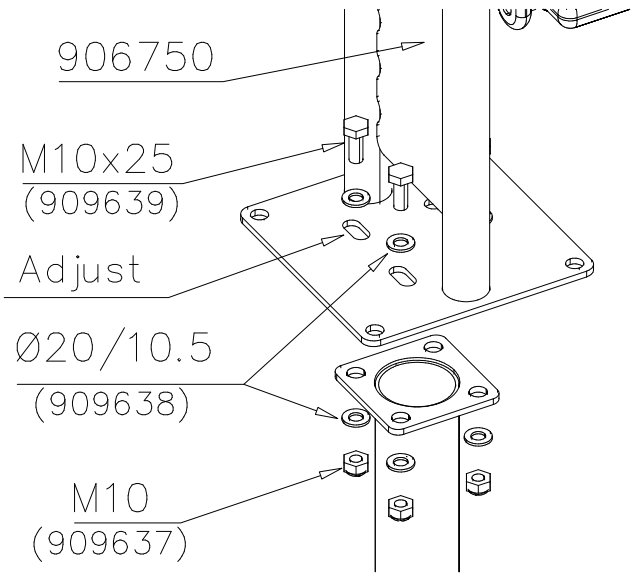


NOTE!
HOX!

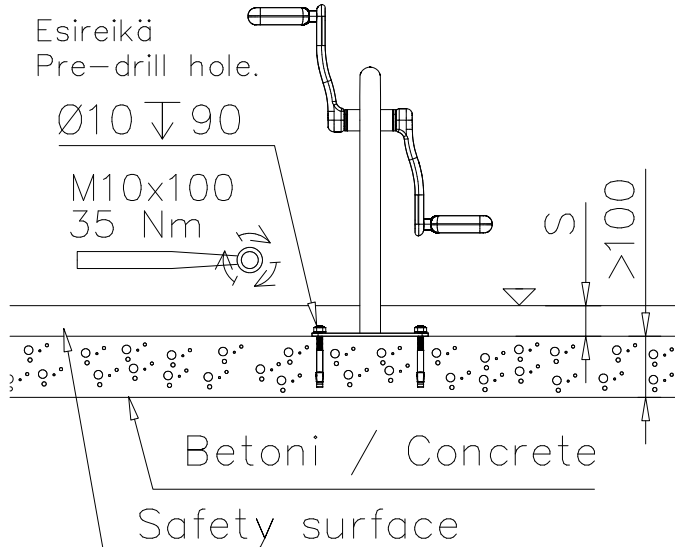
DET 56



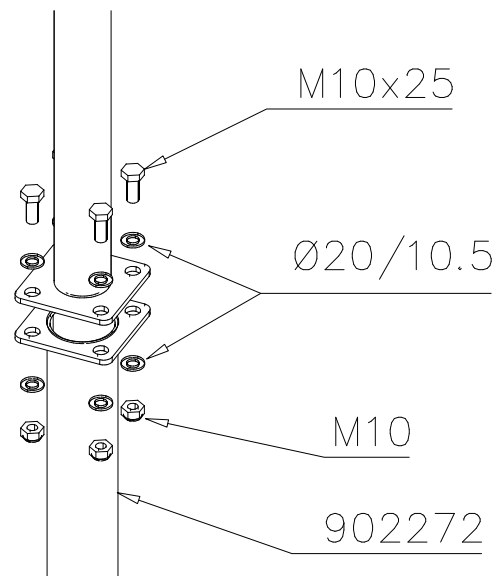
DET 57

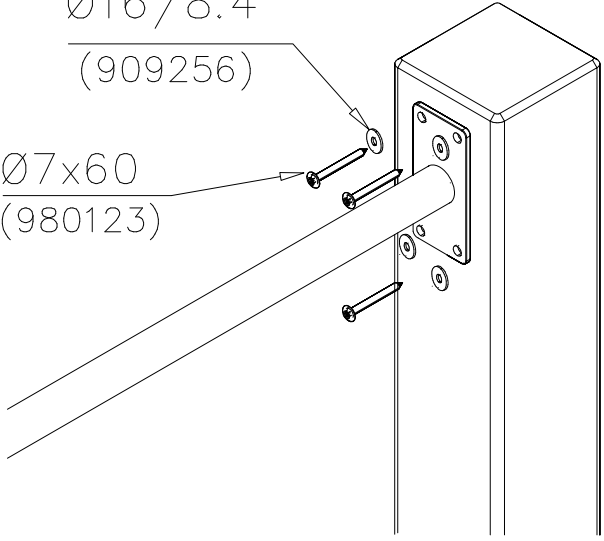
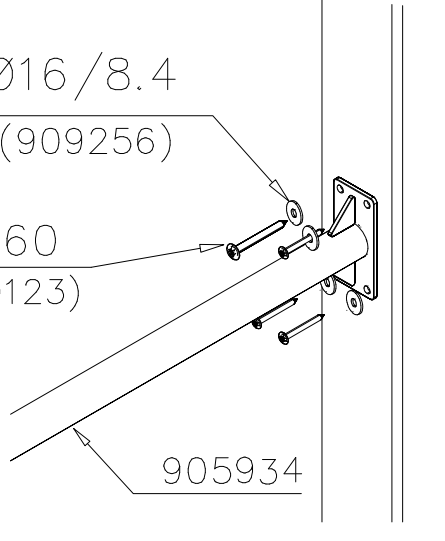
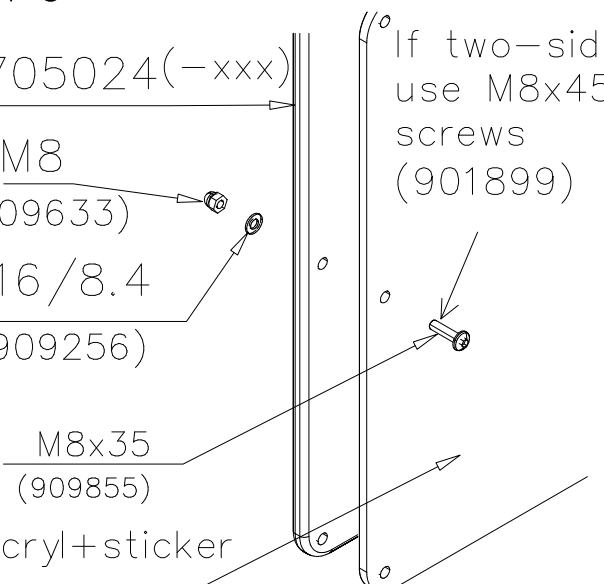
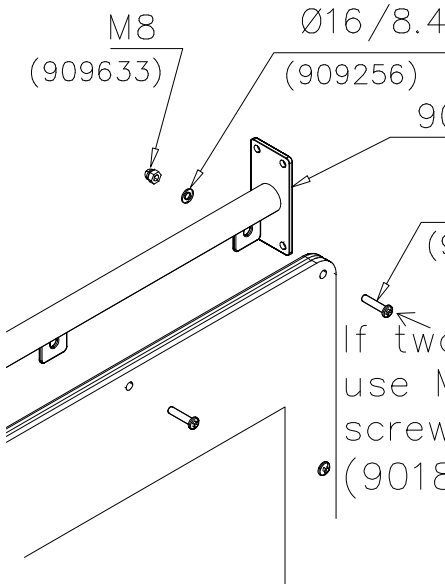
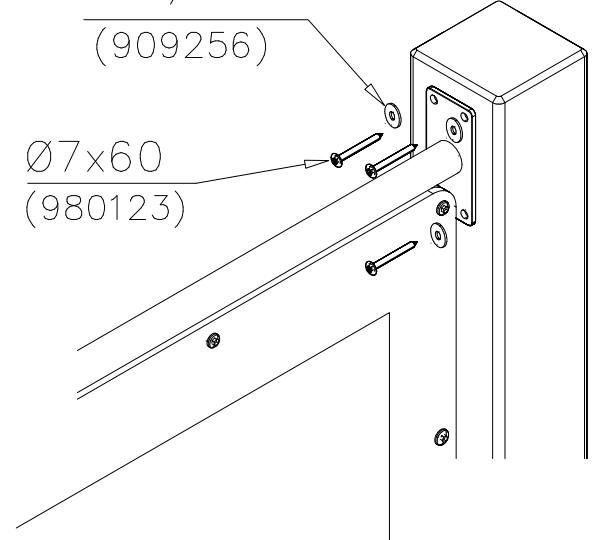
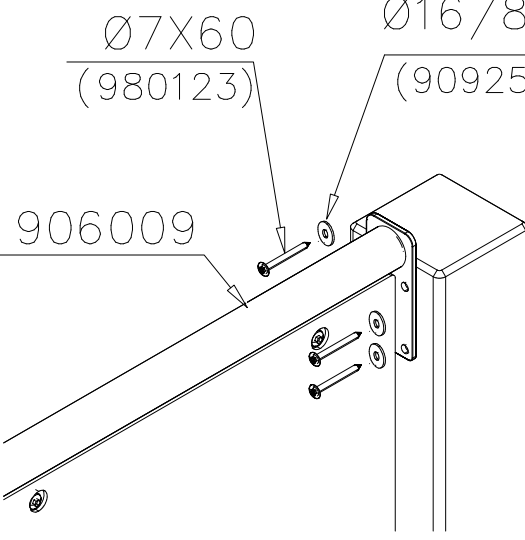


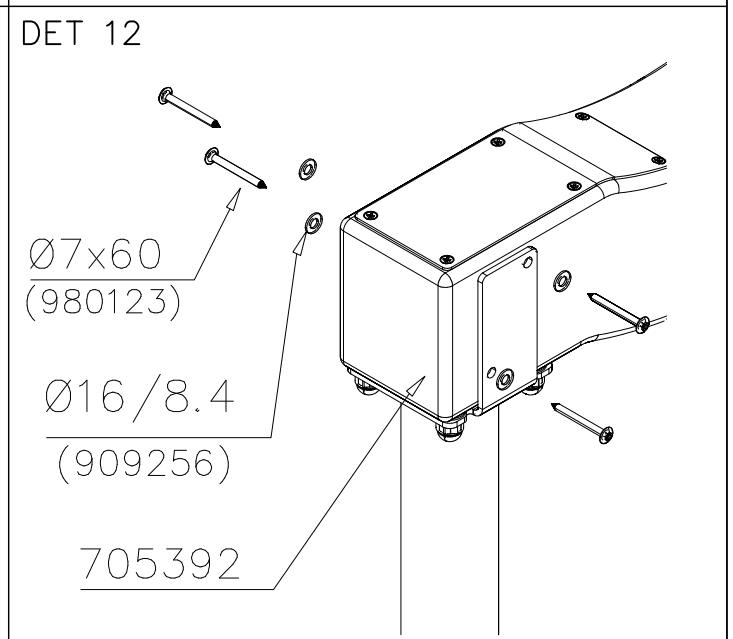
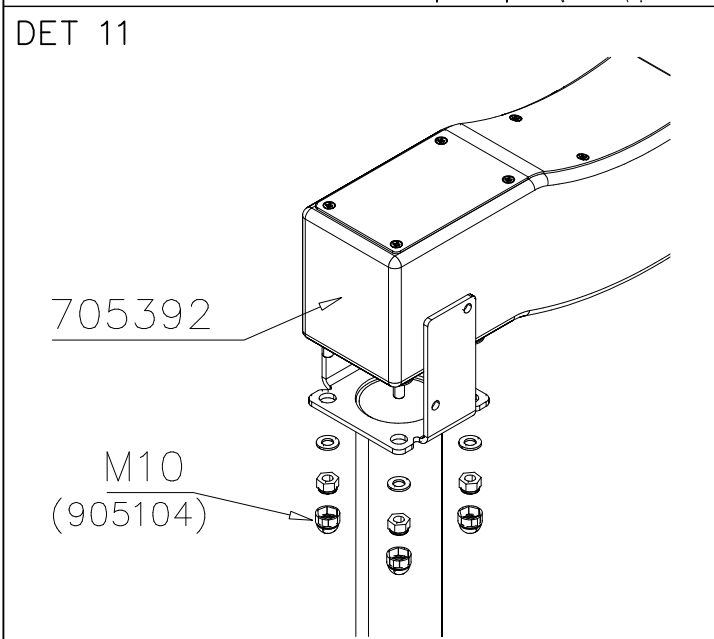
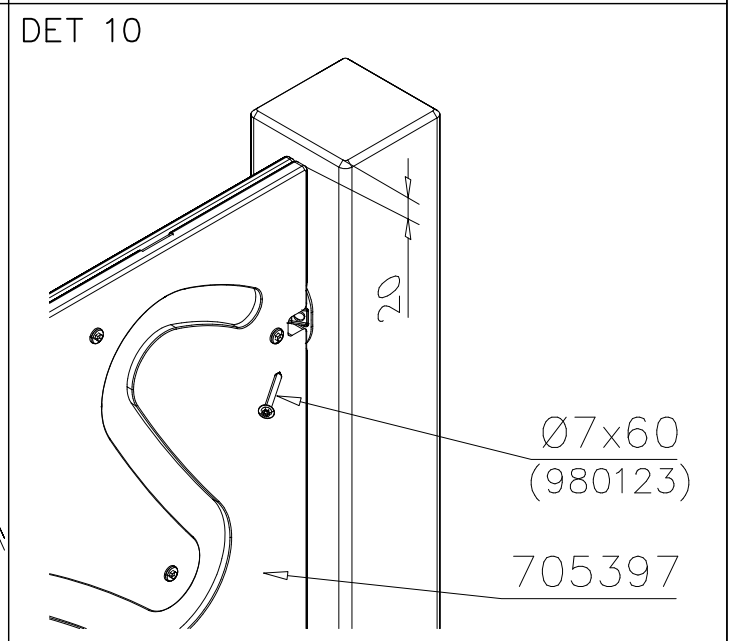
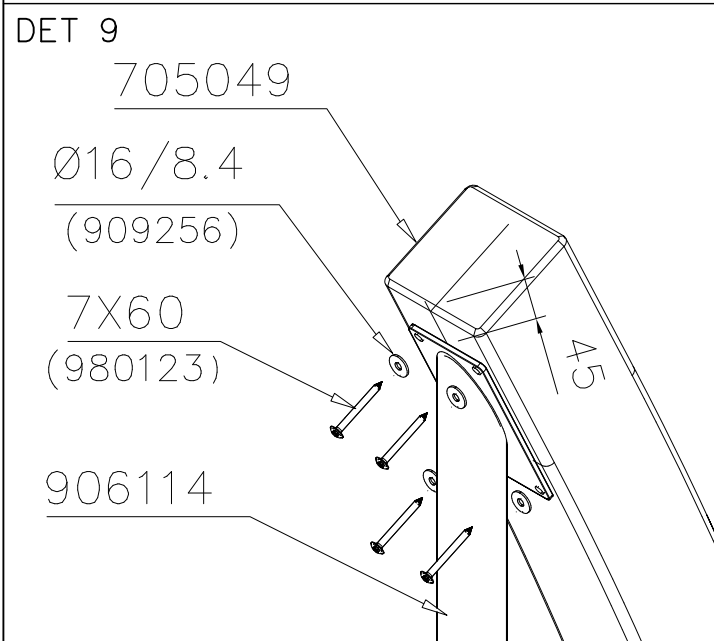
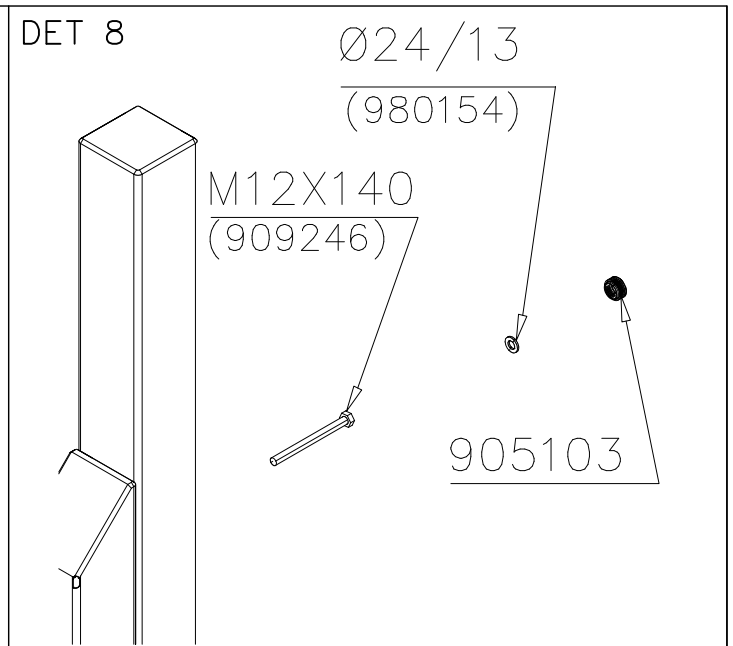
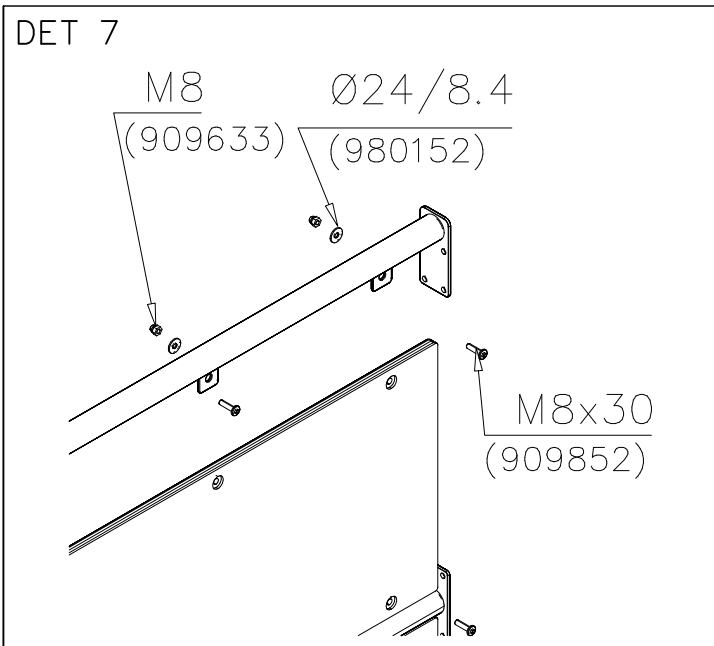
DET 58

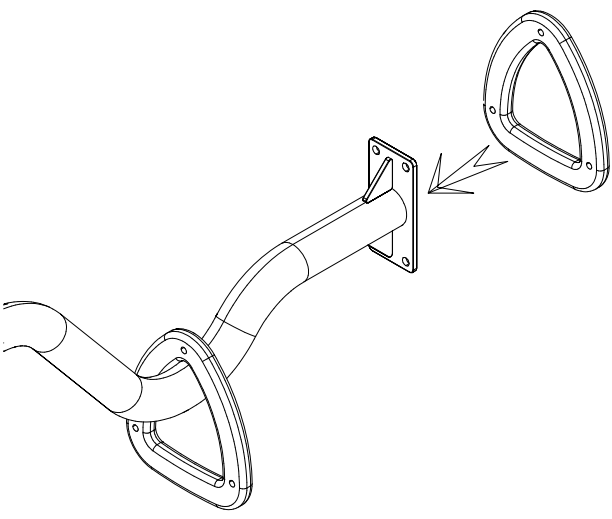
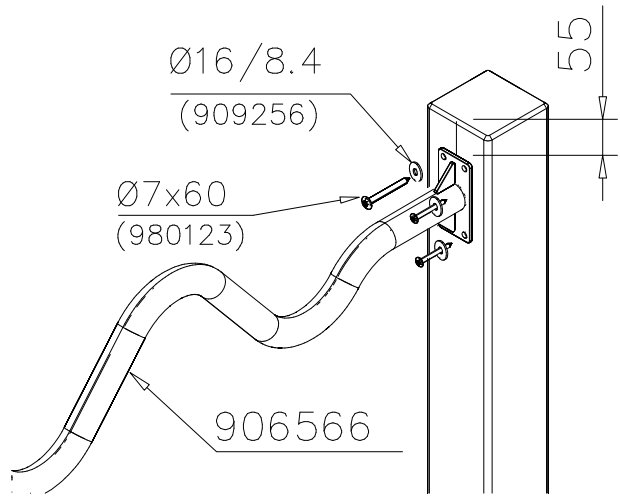
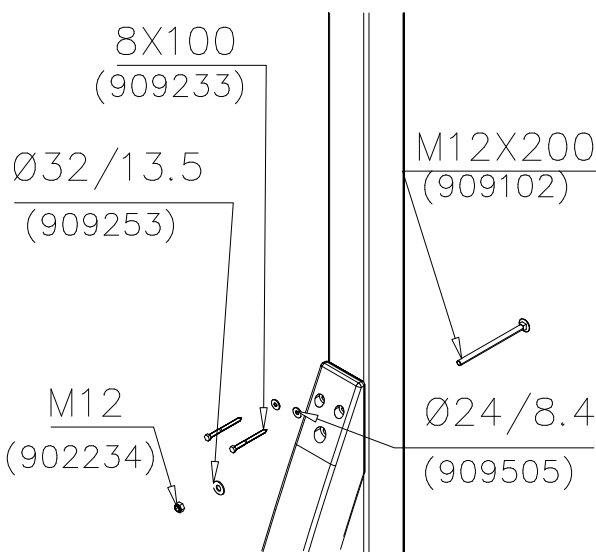
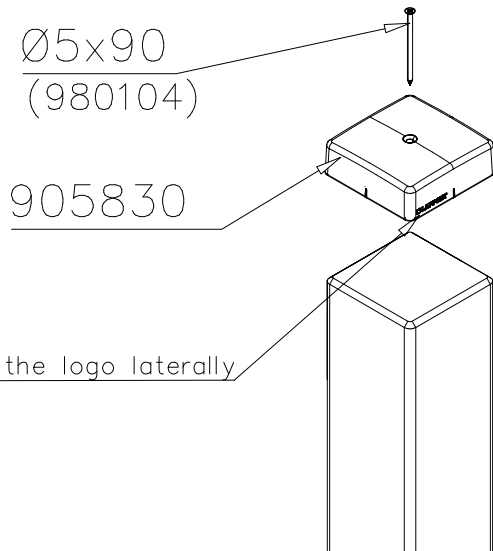
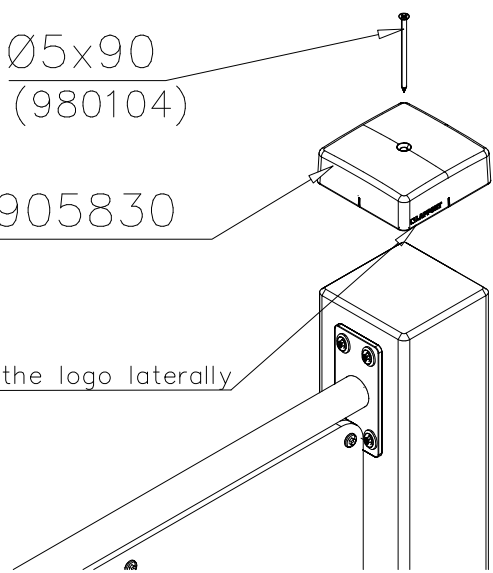
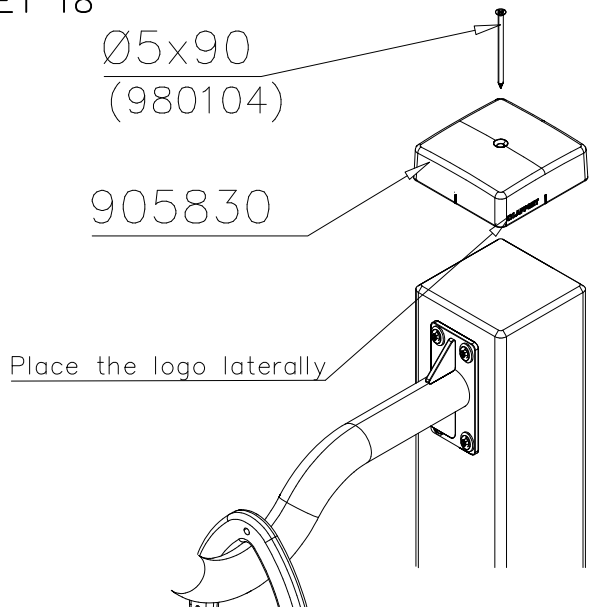


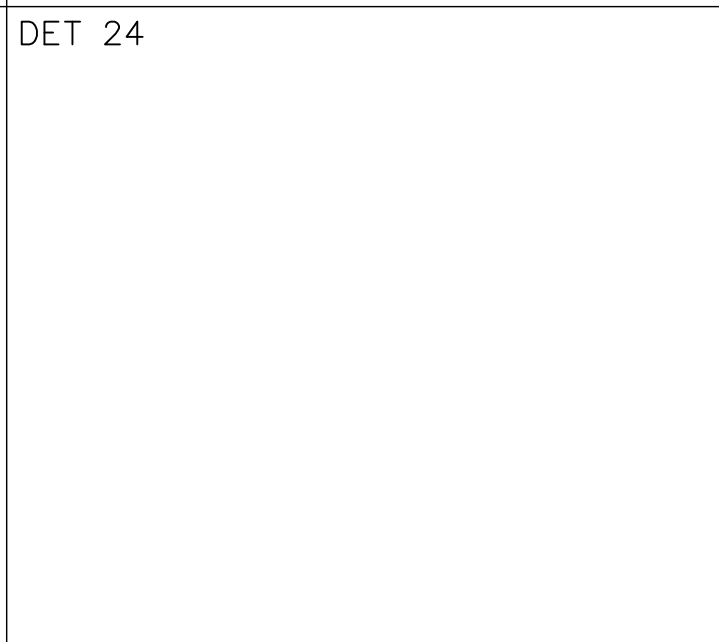
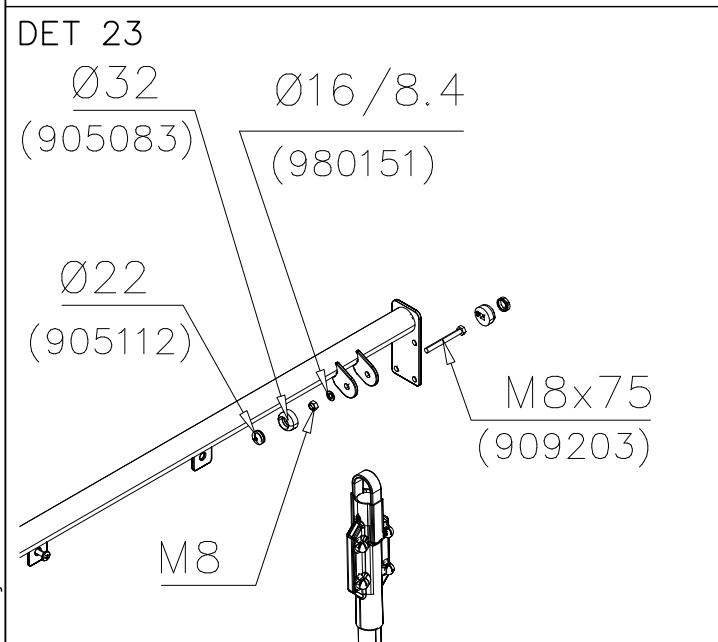
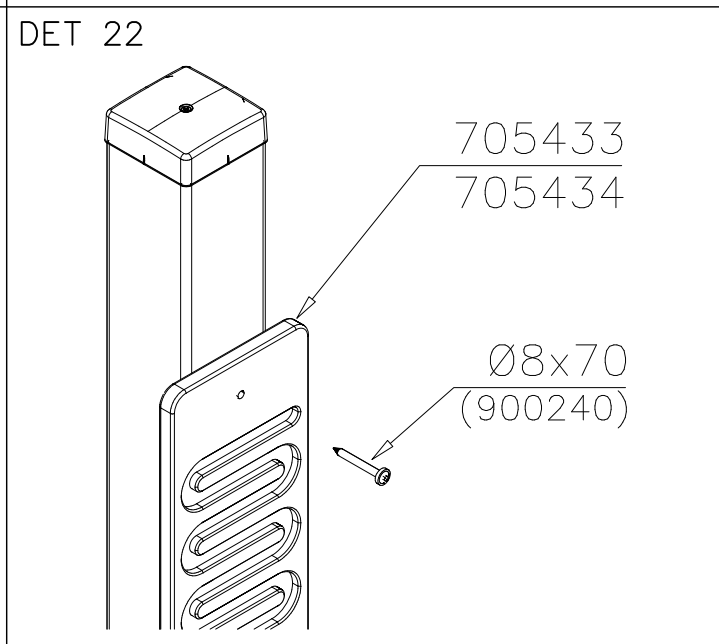
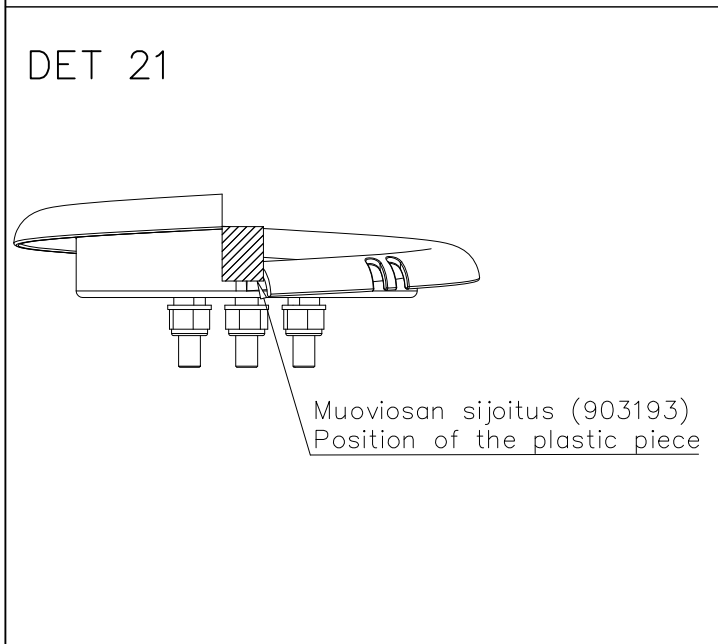
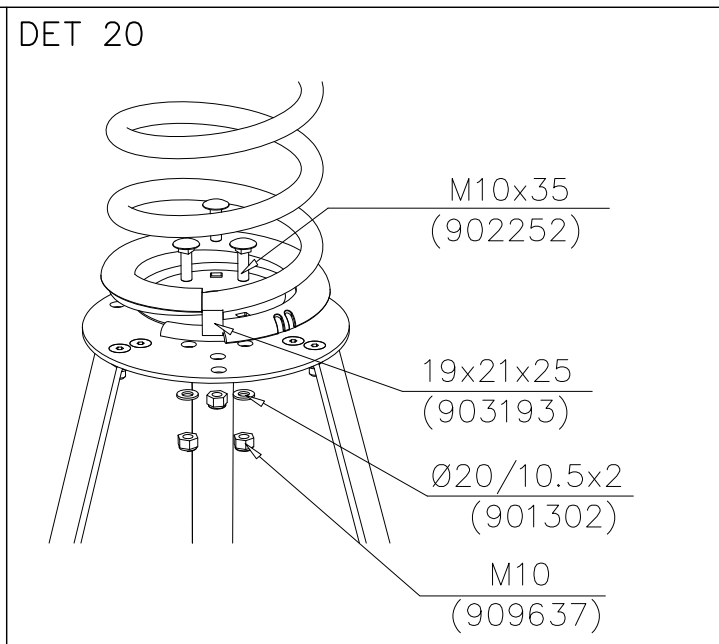
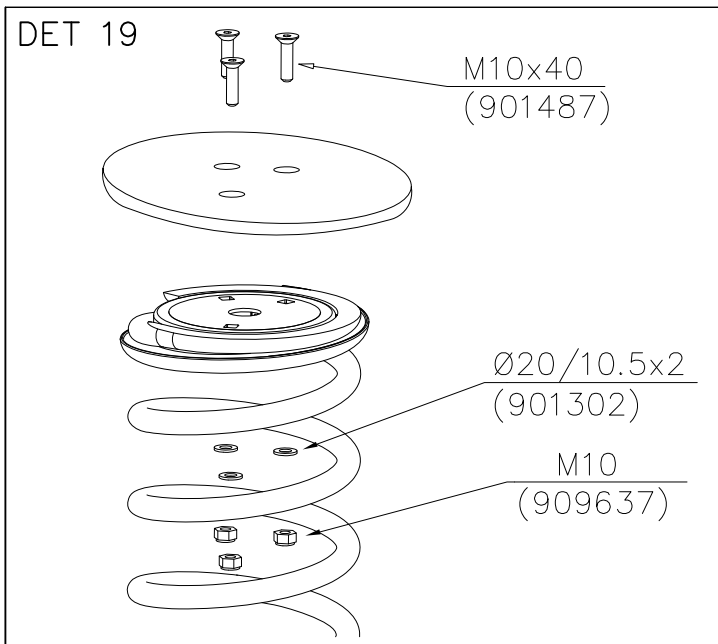
DET 59

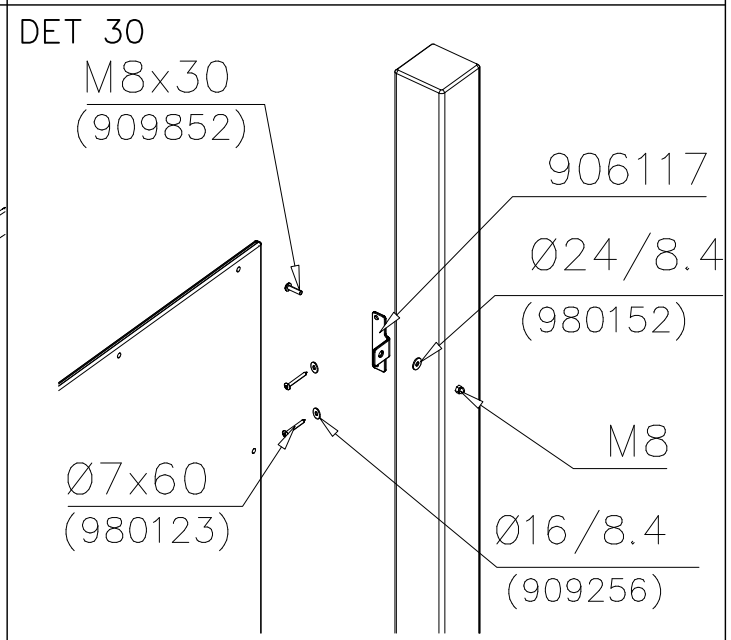
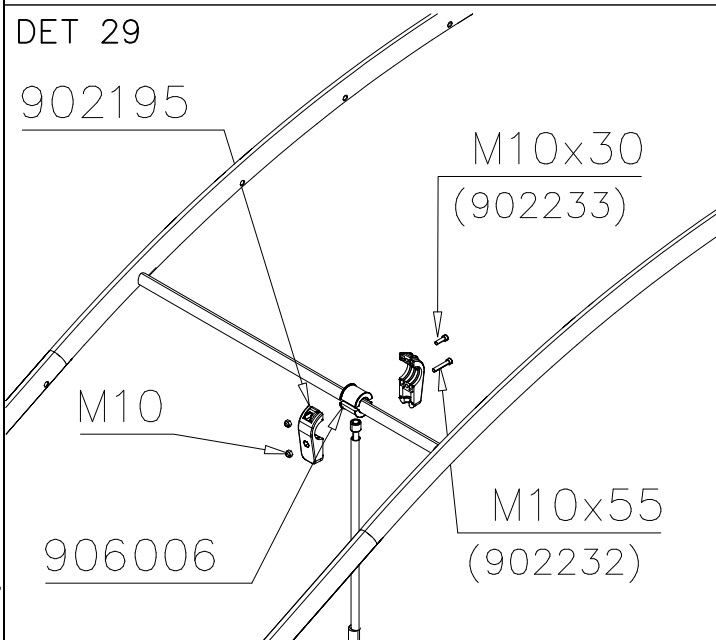
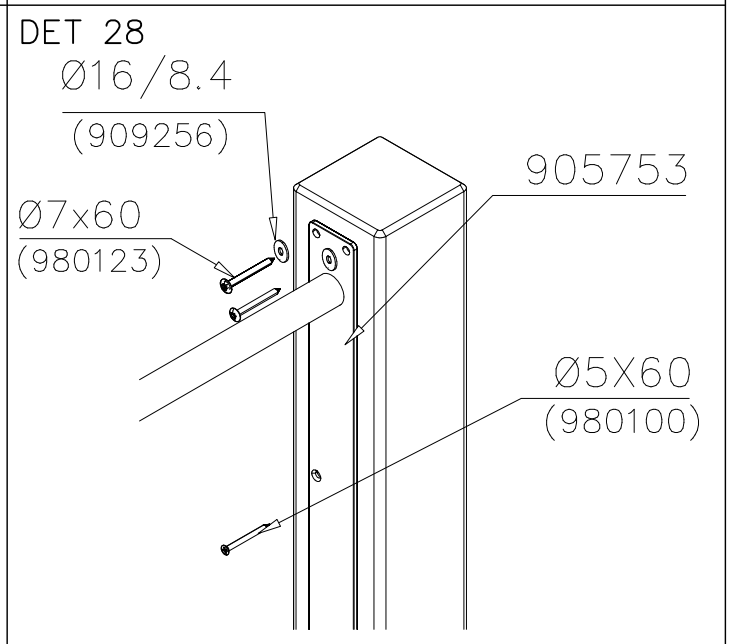
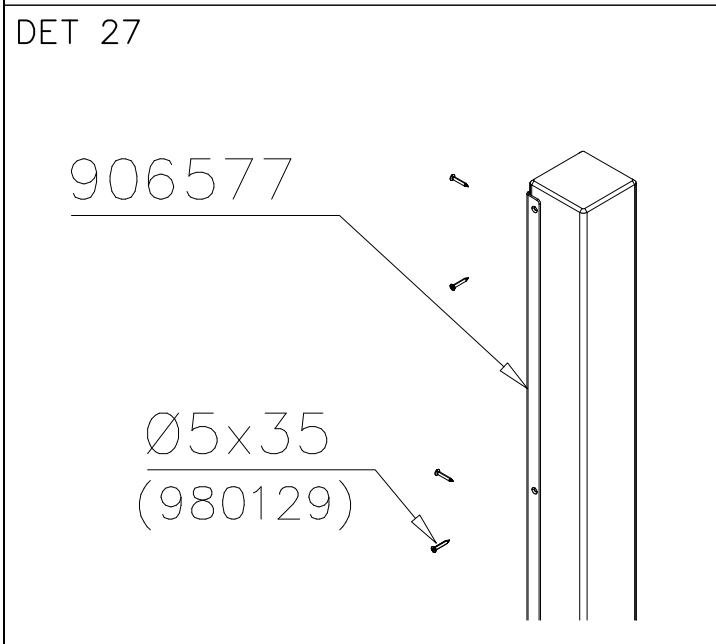
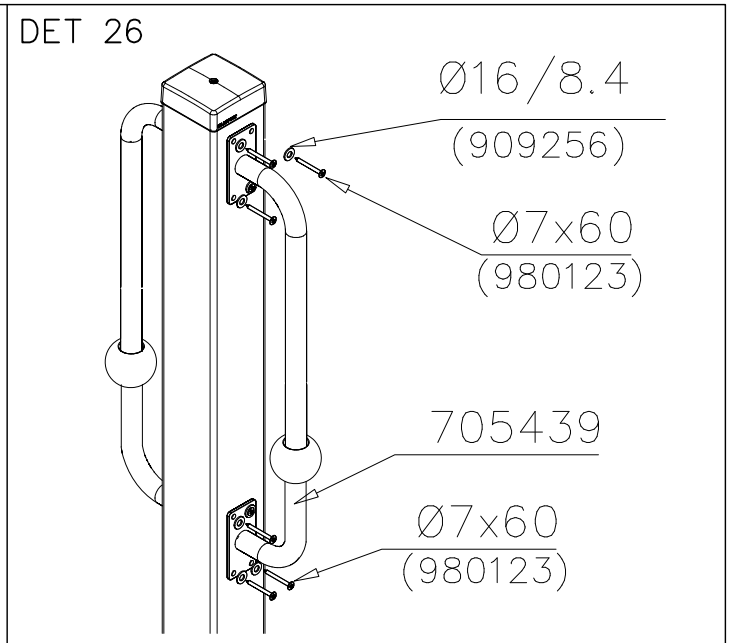
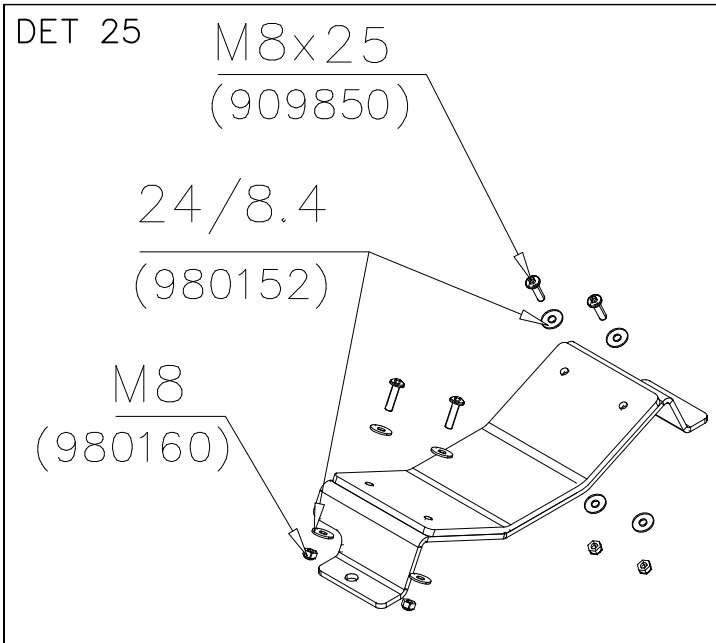


<p>DET 1</p> <p>$\frac{\text{Ø16 / 8.4}}{(909256)}$</p> <p>$\frac{\text{Ø7x60}}{(980123)}$</p> 	<p>DET 2</p> <p>$\frac{\text{Ø16 / 8.4}}{(909256)}$</p> <p>$\frac{\text{Ø7x60}}{(980123)}$</p> <p>905934</p> 
<p>DET 3</p> <p>$\frac{705024(-xxx)}{}$</p> <p>M8 (909633)</p> <p>$\frac{\text{Ø16 / 8.4}}{(909256)}$</p> <p>$\frac{\text{M8x35}}{(909855)}$</p> <p>Acryl+sticker</p> <p>If two-sided use M8x45 screws (901899)</p> 	<p>DET 4</p> <p>M8 (909633)</p> <p>$\frac{\text{Ø16 / 8.4}}{(909256)}$</p> <p>905936</p> <p>$\frac{\text{M8x35}}{(909855)}$</p> <p>If two-sided use M8x45 screws (901899)</p> 
<p>DET 5</p> <p>$\frac{\text{Ø16 / 8.4}}{(909256)}$</p> <p>$\frac{\text{Ø7x60}}{(980123)}$</p> 	<p>DET 6</p> <p>$\frac{\text{Ø7x60}}{(980123)}$</p> <p>$\frac{\text{Ø16 / 8.4}}{(909256)}$</p> <p>906009</p> 

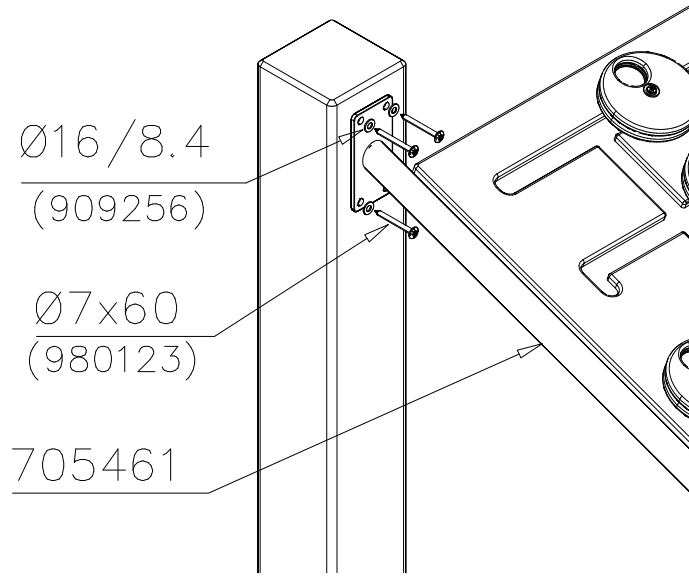


<p>DET 13</p> 	<p>DET 14</p>  <p>Ø16/8.4 (909256)</p> <p>Ø7x60 (980123)</p> <p>906566</p> <p>55</p>
<p>DET 15</p>  <p>8X100 (909233)</p> <p>Ø32/13.5 (909253)</p> <p>M12 (902234)</p> <p>M12X200 (909102)</p> <p>Ø24/8.4 (909505)</p>	<p>DET 16</p>  <p>Ø5x90 (980104)</p> <p>905830</p> <p>Place the logo laterally</p>
<p>DET 17</p>  <p>Ø5x90 (980104)</p> <p>905830</p> <p>Place the logo laterally</p>	<p>DET 18</p>  <p>Ø5x90 (980104)</p> <p>905830</p> <p>Place the logo laterally</p>

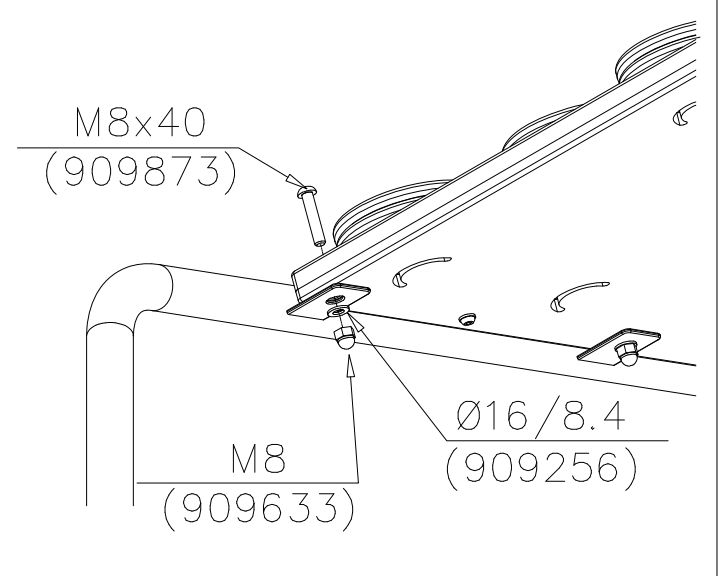




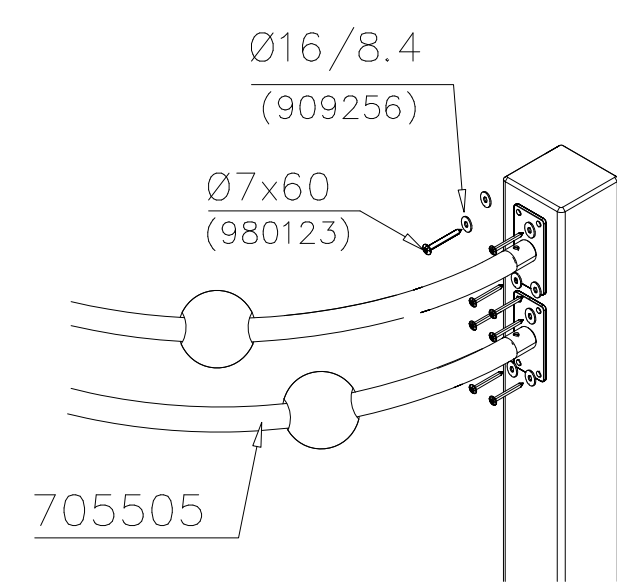
DET 31



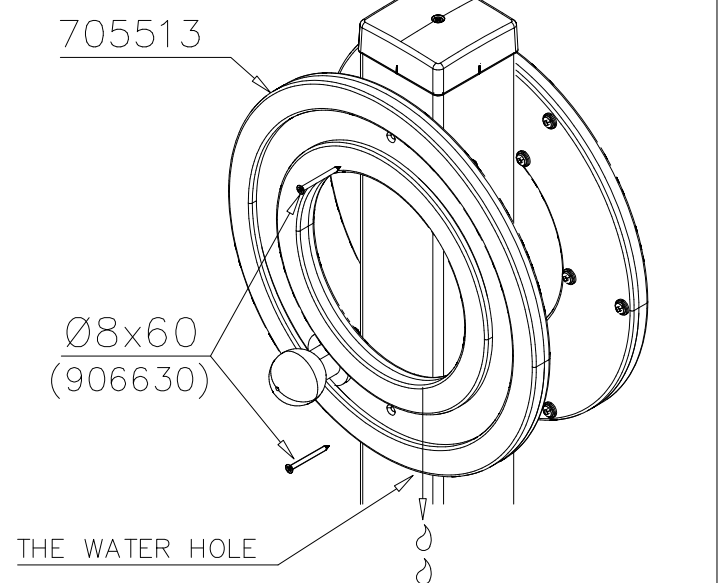
DET 32



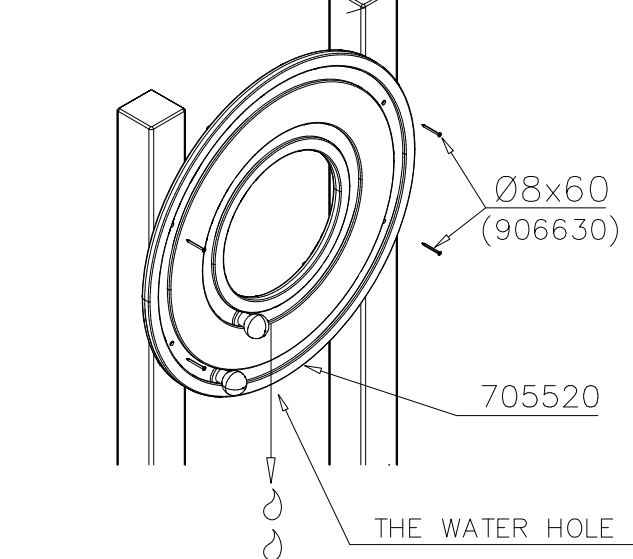
DET 33



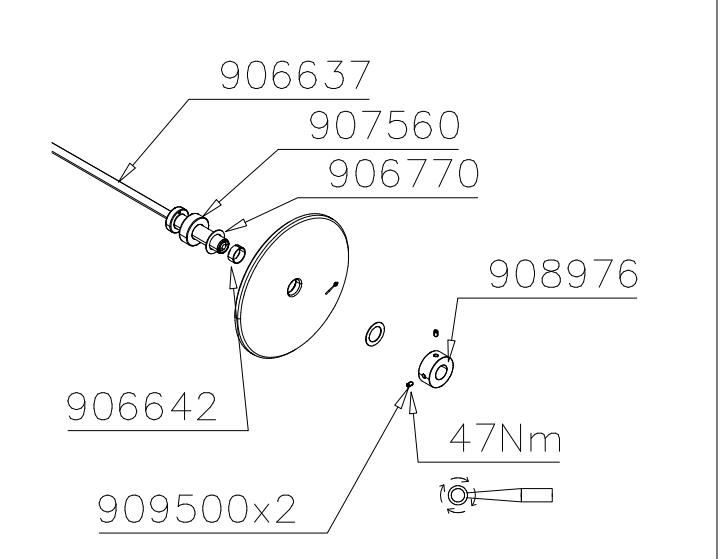
DET 34

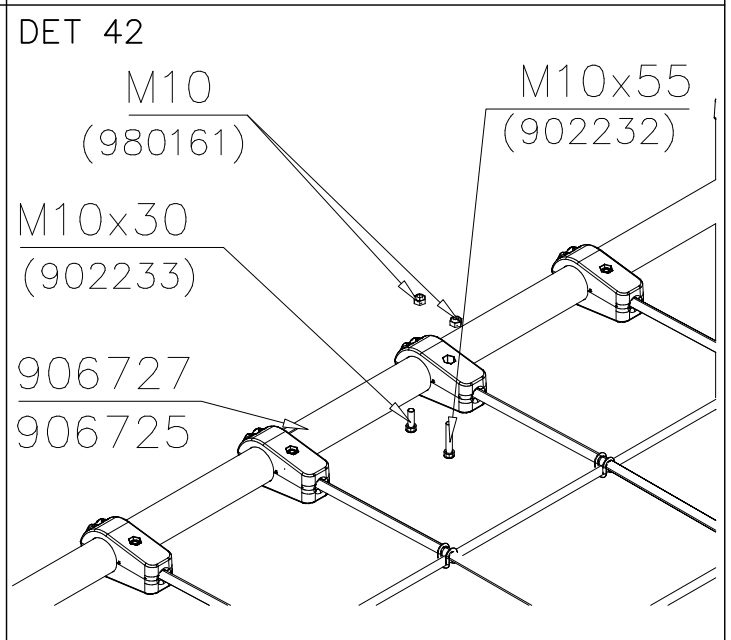
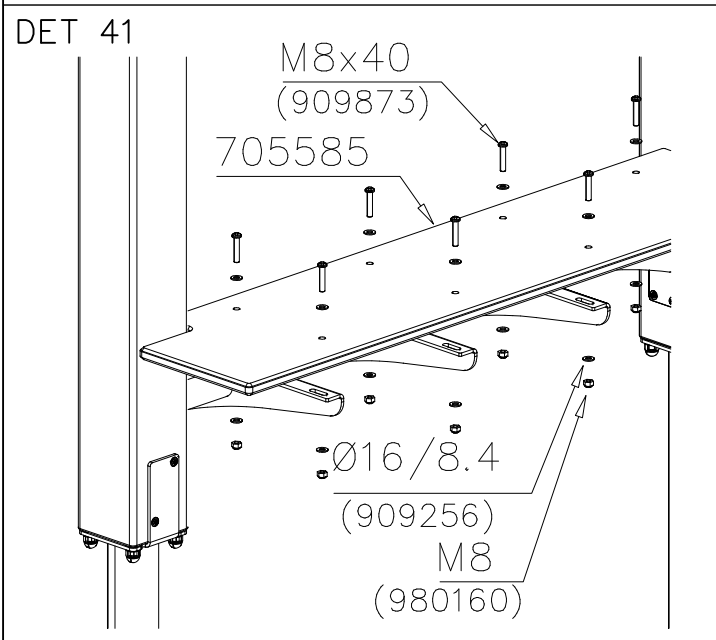
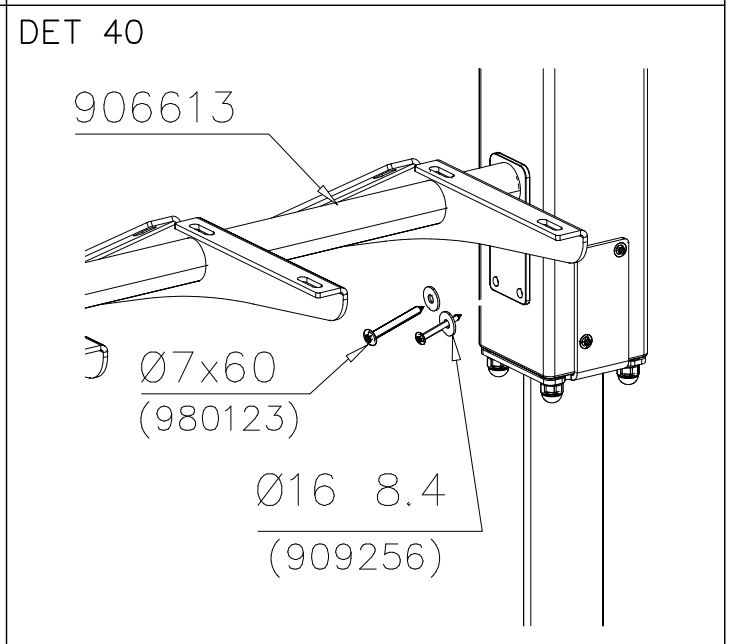
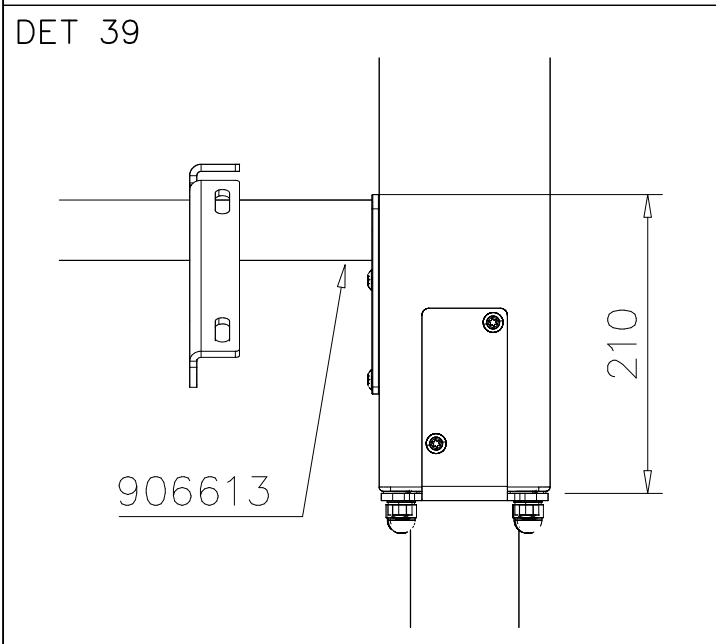
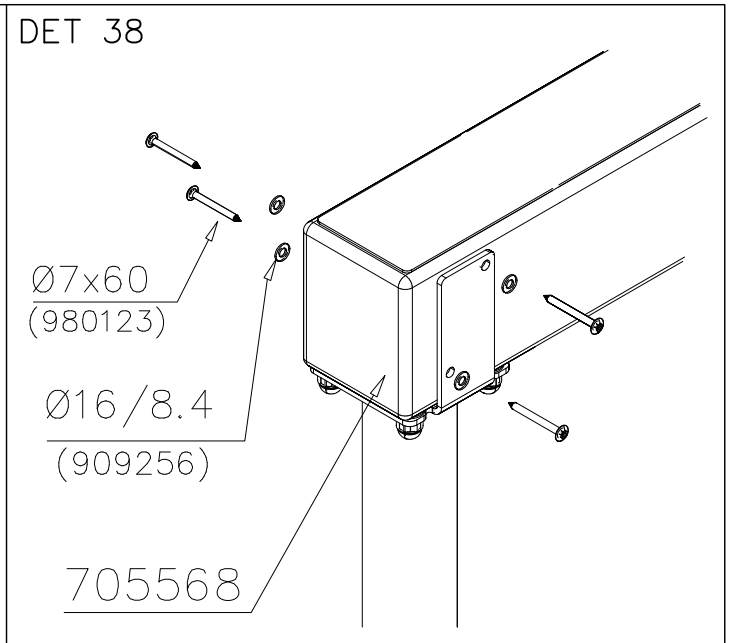
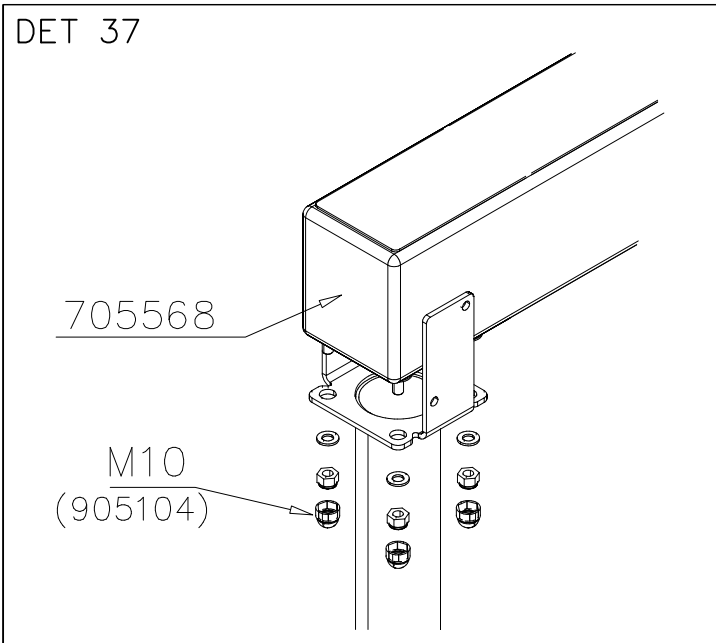


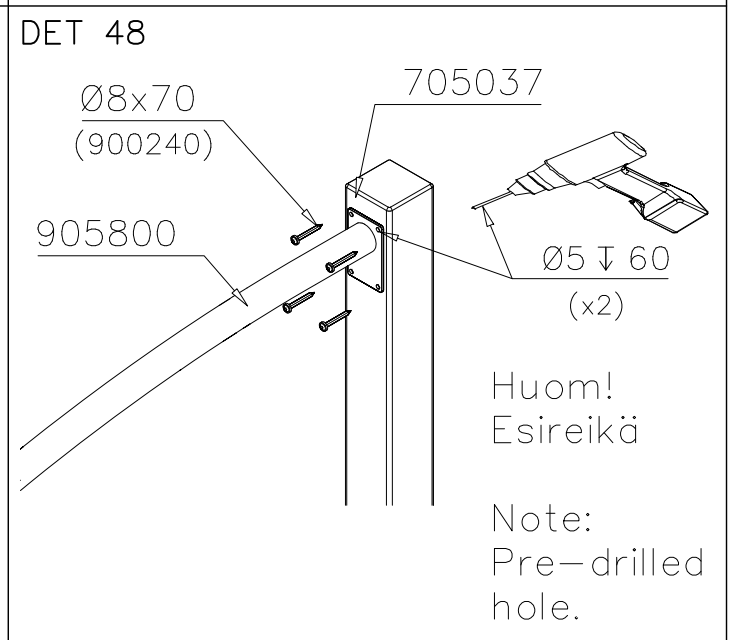
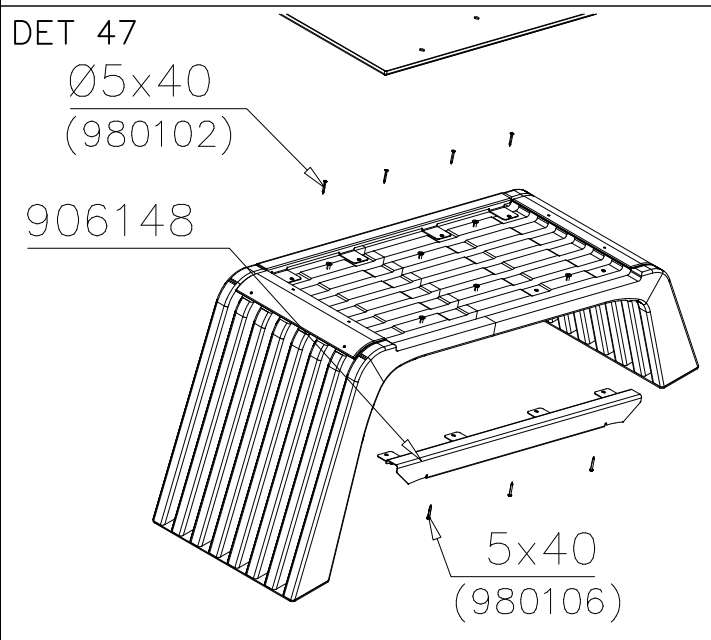
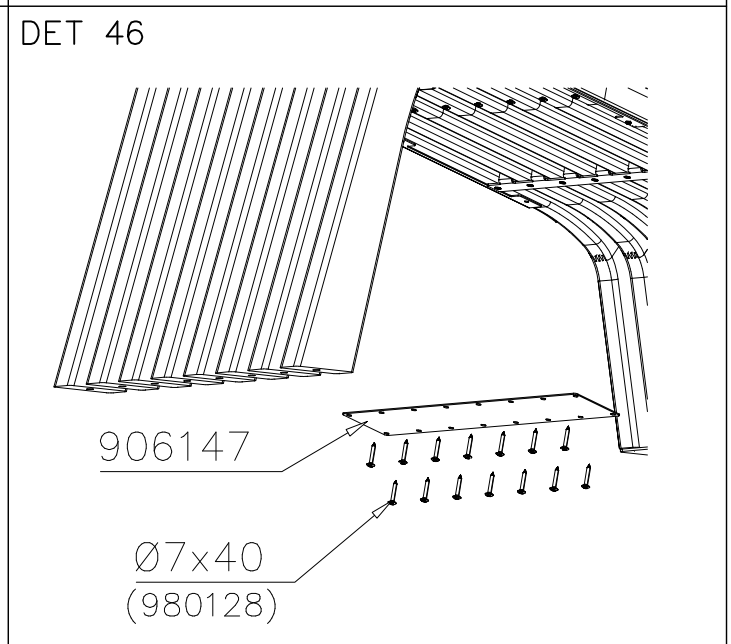
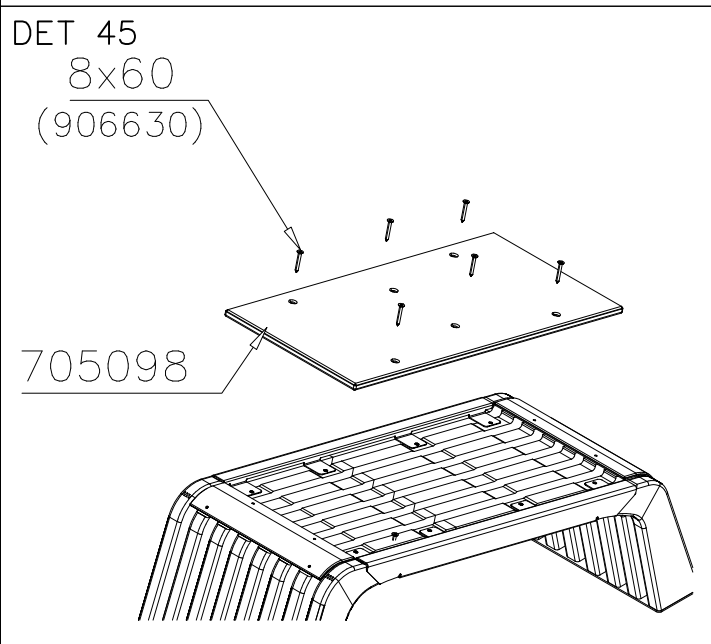
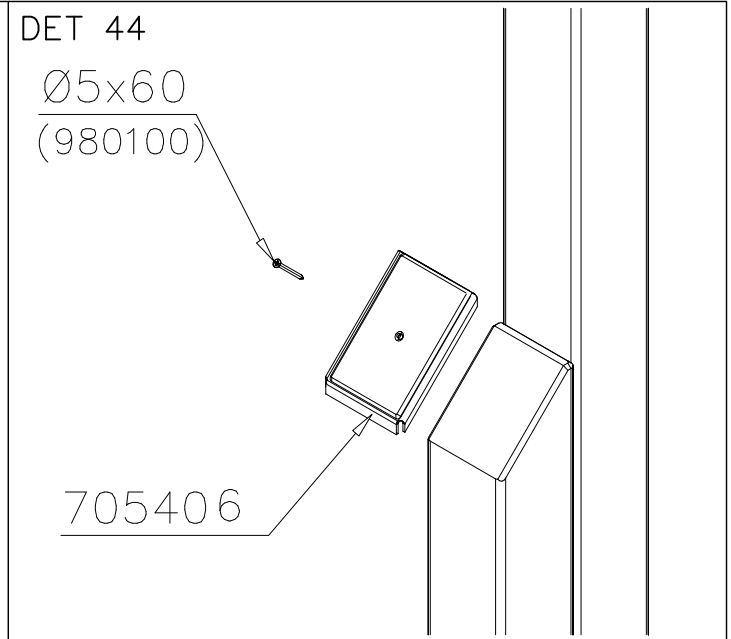
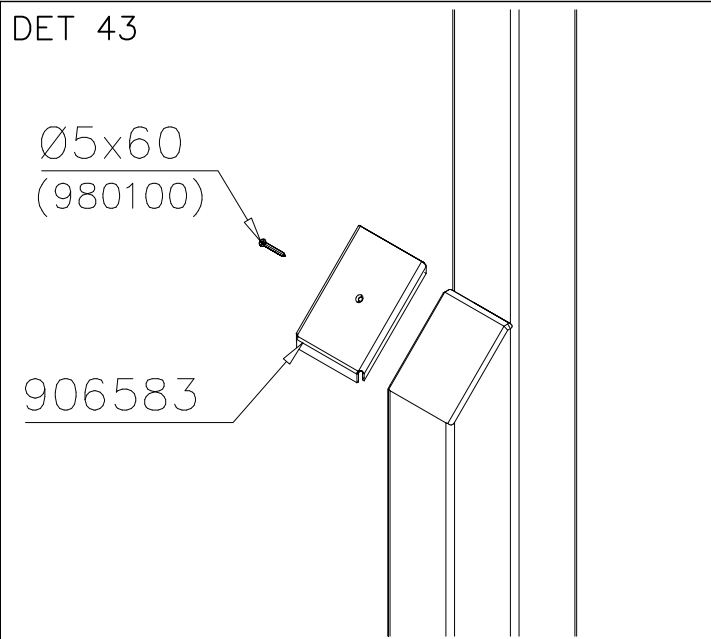
DET 35

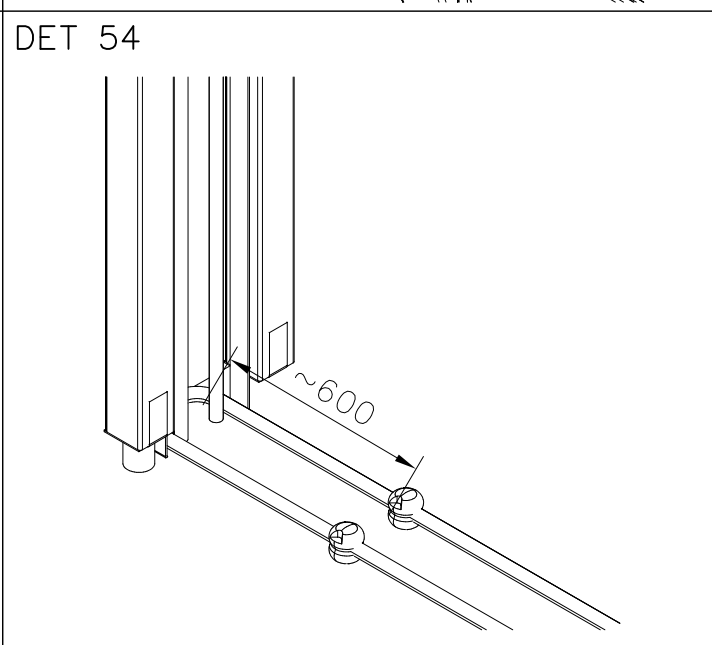
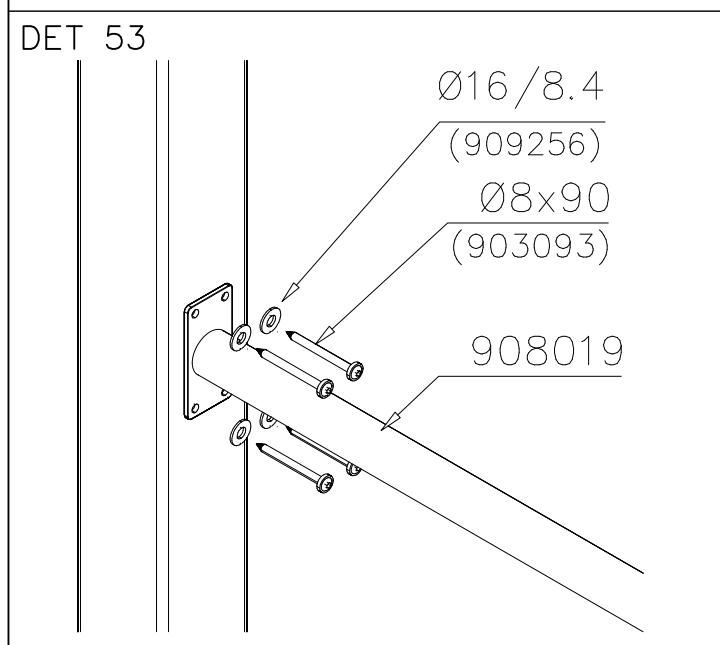
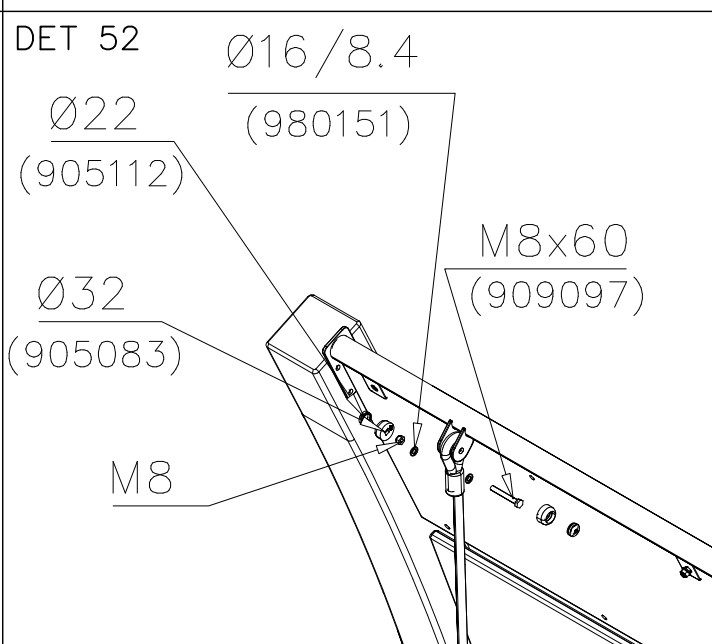
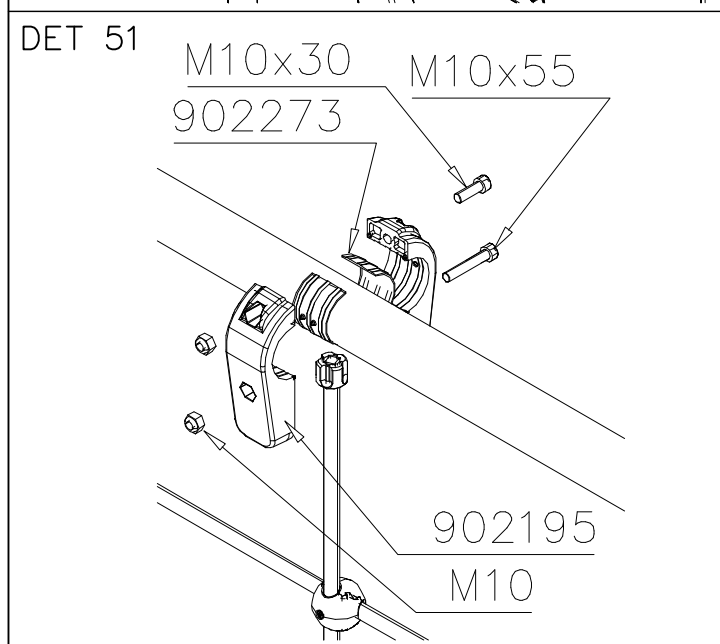
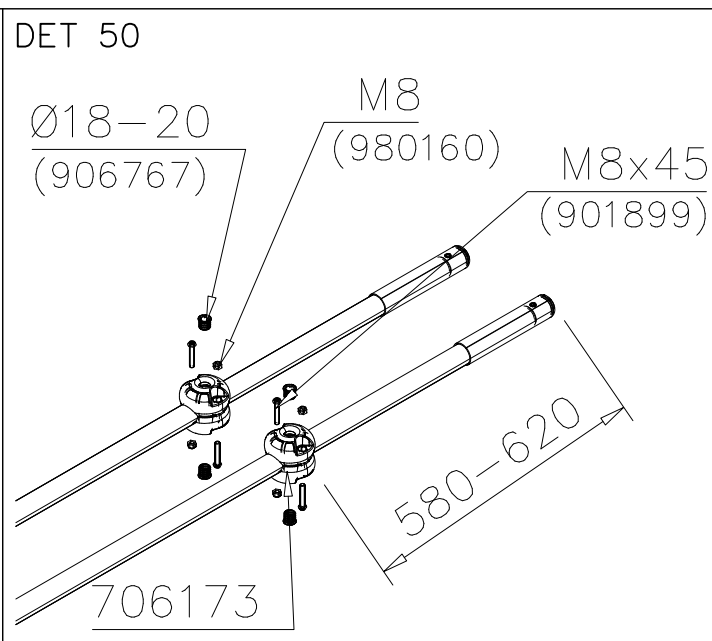
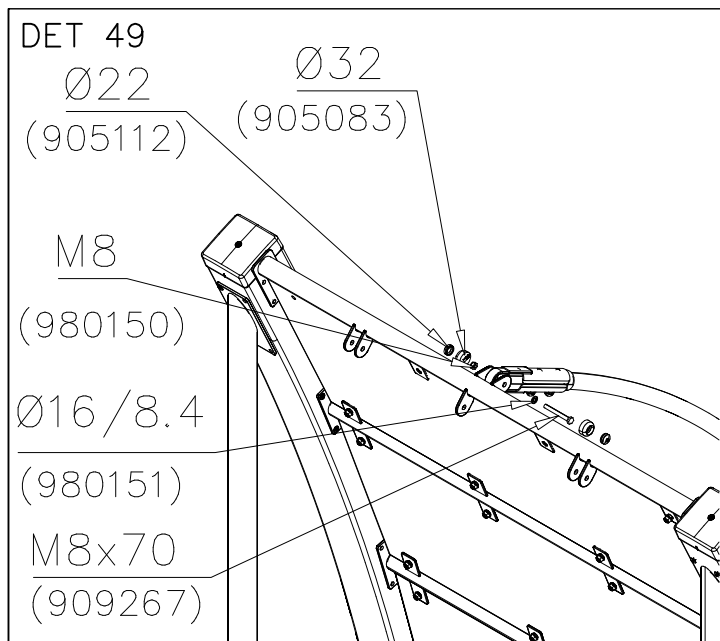


DET 36

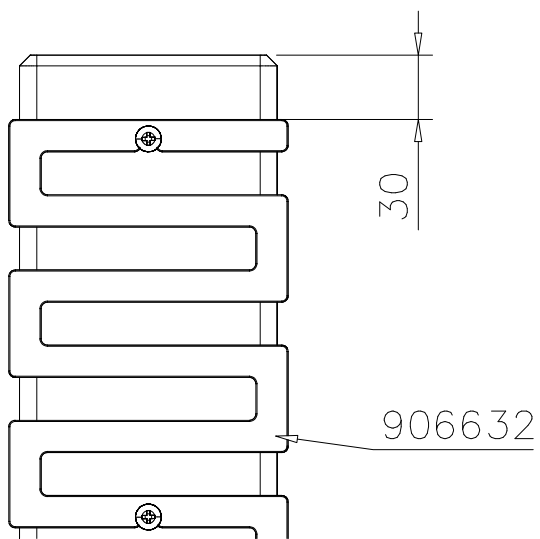




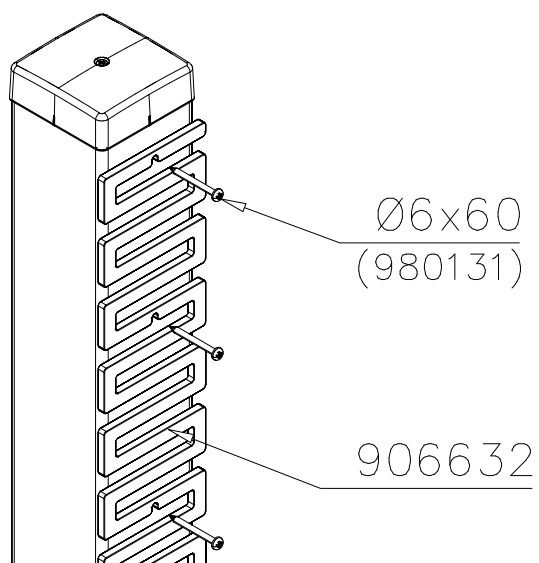




DET 55



DET 56

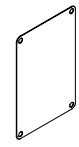



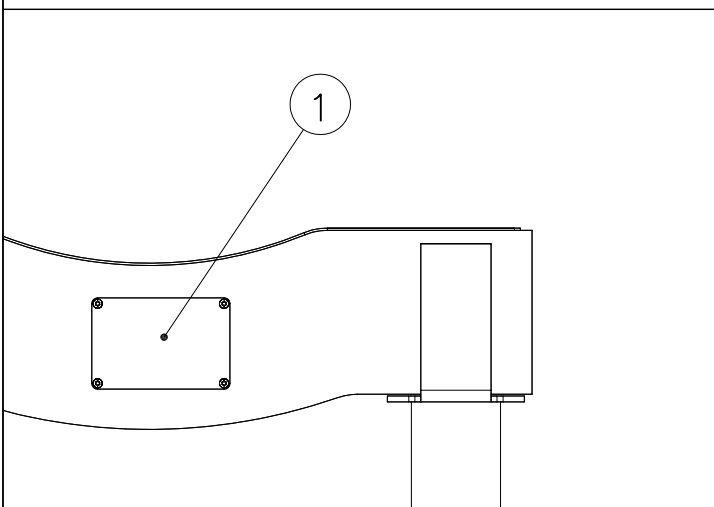
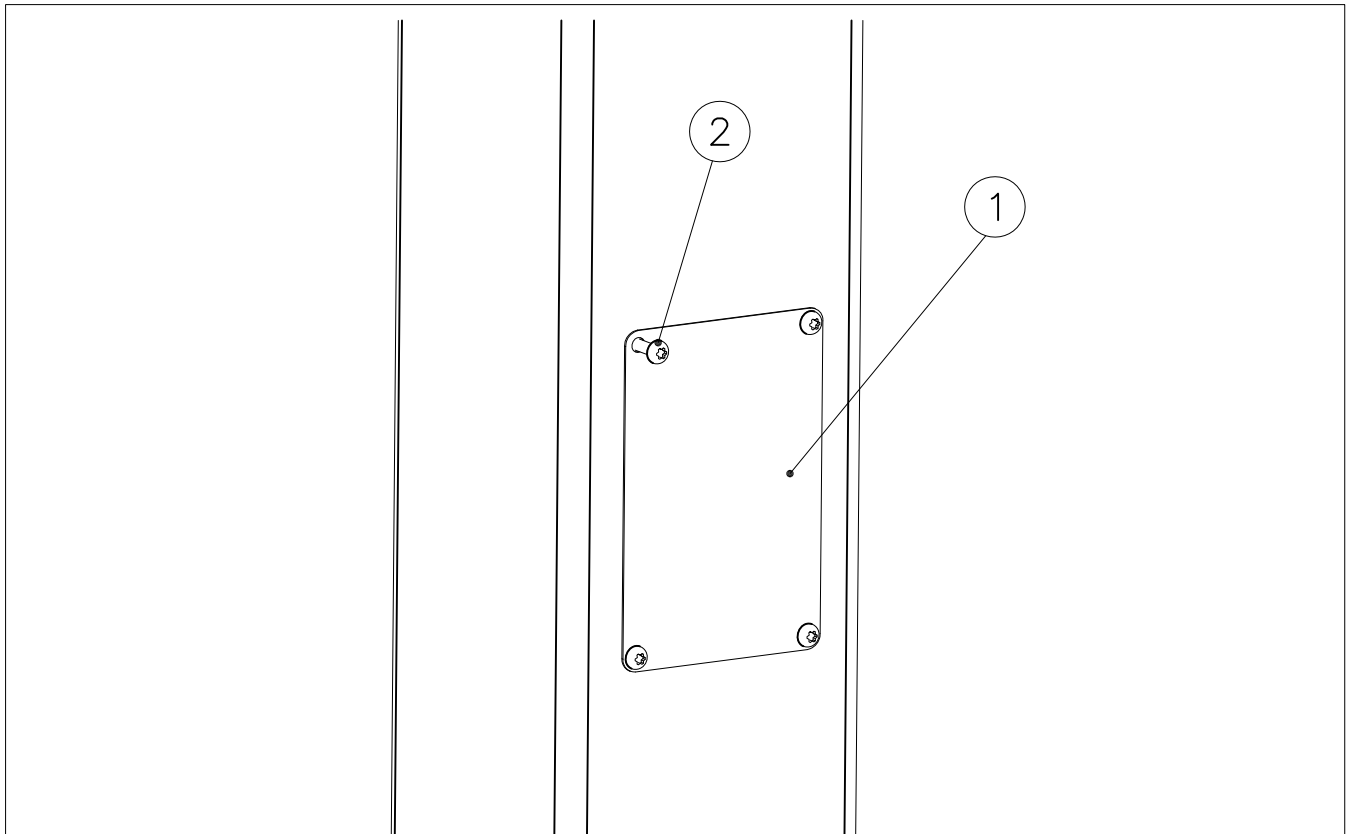
DET 57

DET 58

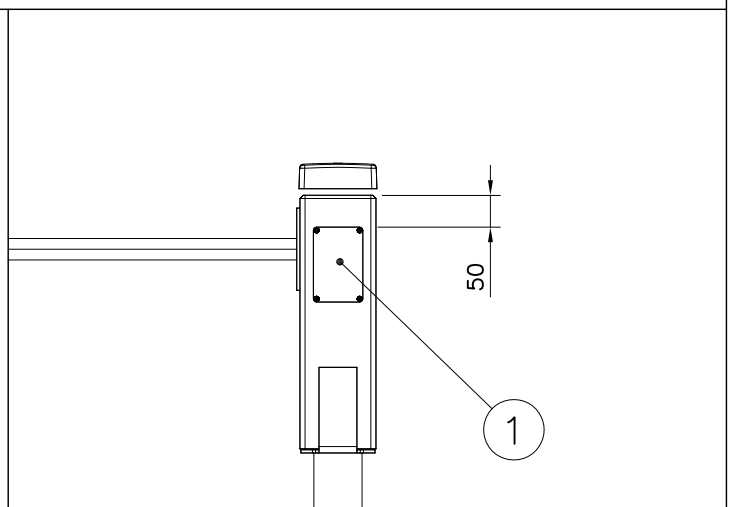
DET 59

DET 60

① SHEET METAL  118x78x0.7	PCS 1	② 980114  Ø4x20	PCS 4
--	----------	--	----------



Example installation !
Esimerkki asennus !



Example installation !
Esimerkki asennus !

