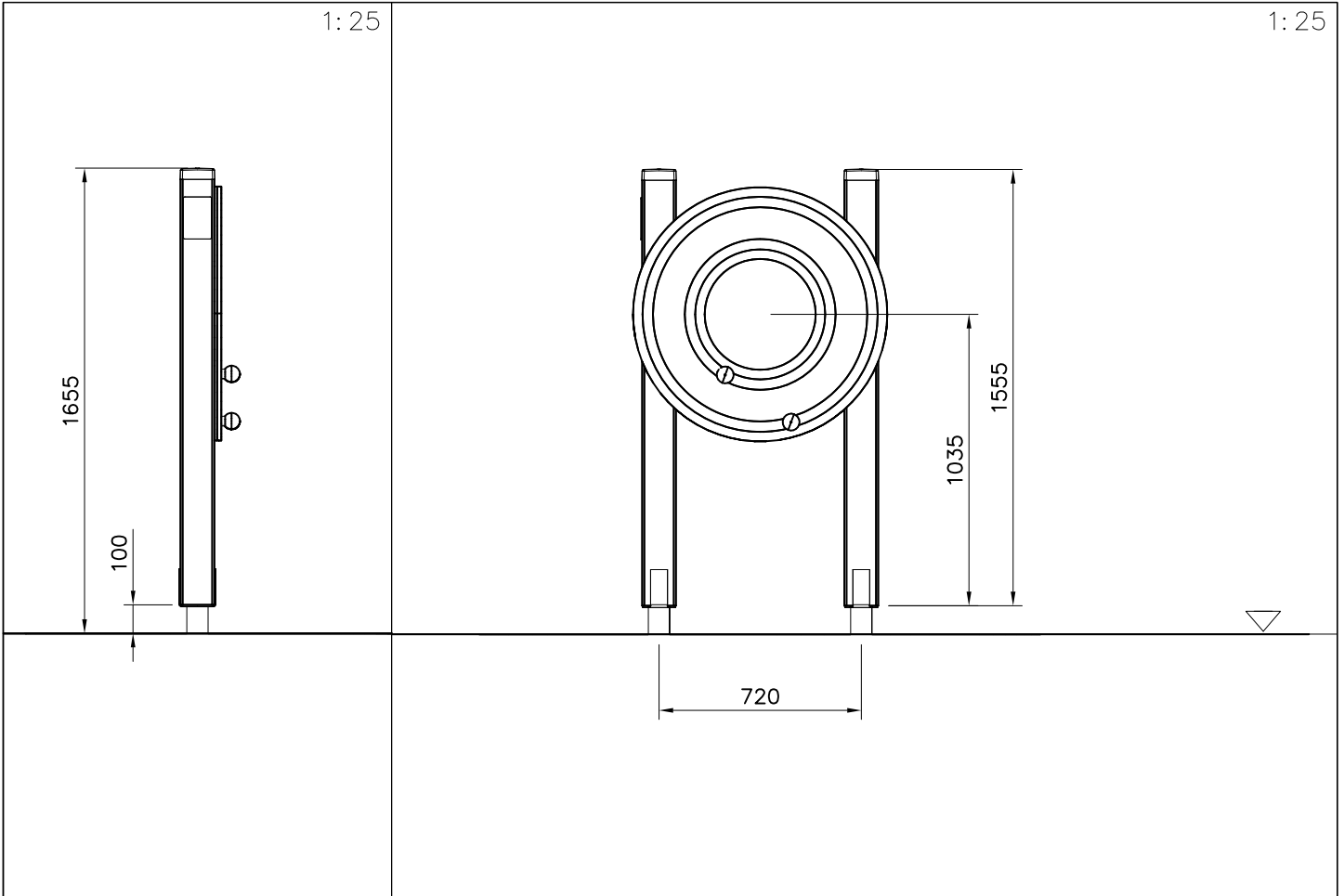


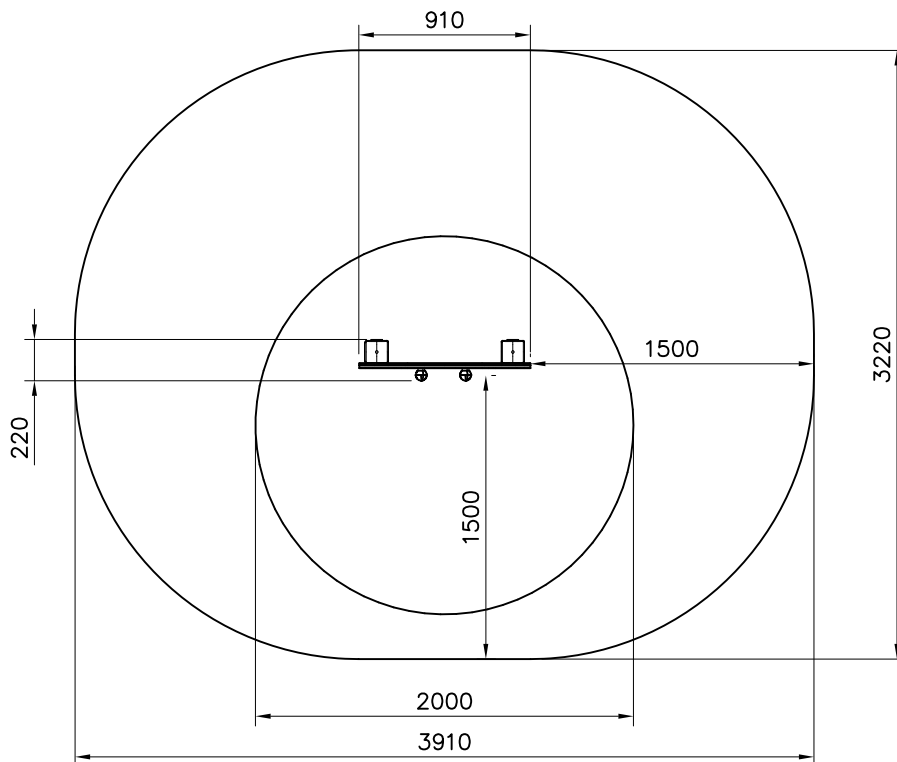
Note:  
Water hole.

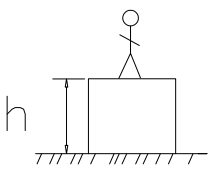



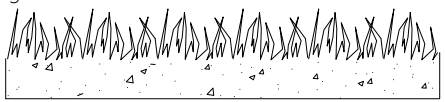
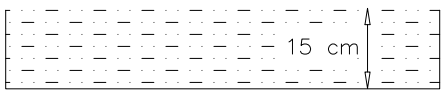
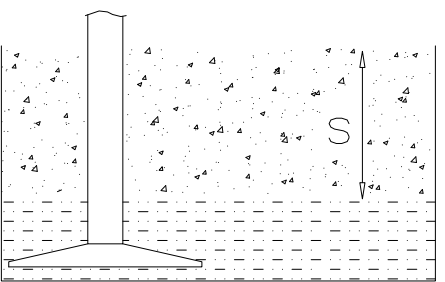
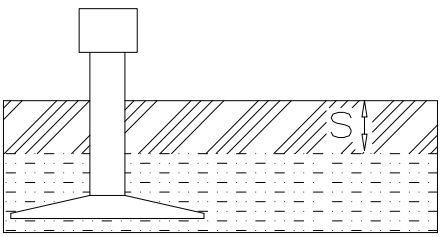
Huom!  
Vesireikä



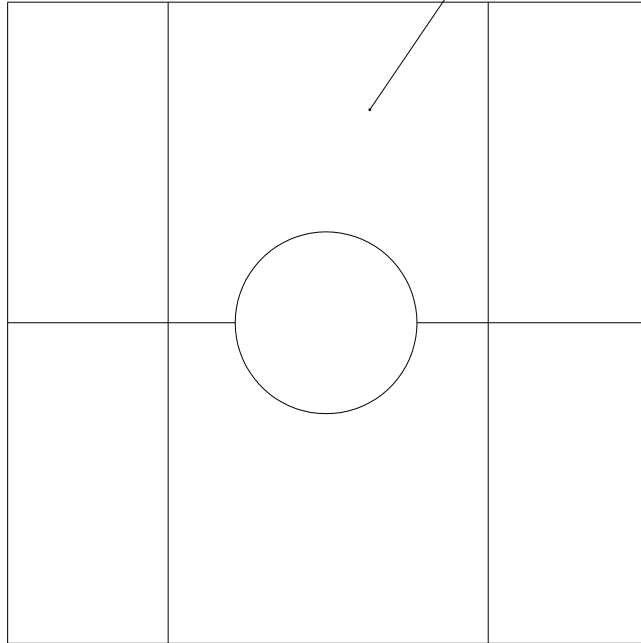
Area of Movement 10.7 m<sup>2</sup>  
Training Space 3.1 m<sup>2</sup>  
Max Falling Height 0 mm

1:40

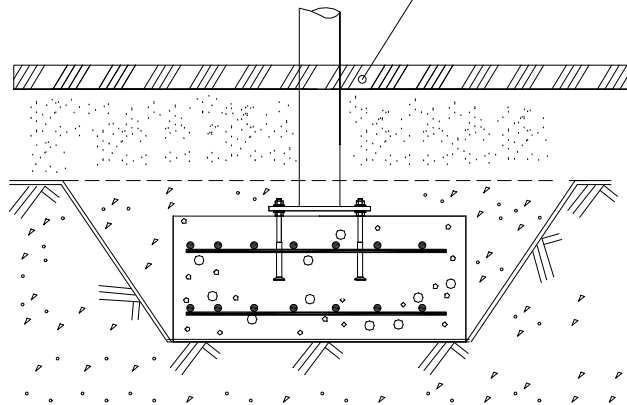


																		
<p><b><math>h &lt; 600</math></b></p> <p>Without movement and therefore without Impact Area</p>	<p>Totally hard surfaces.</p> <p>Note. Lappset does <u>not recommend</u> totally hard surfaces at all.</p>	<p>E.g. concrete or asphalt</p> 																
<p><b><math>h &lt; 600</math></b></p> <p>With movement e.g. rocking</p>	<p>Materials with very limited impact attenuating properties.</p>	<p>E.g. wood</p> 																
<p><b><math>h &lt; 1000</math></b></p>	<p>Materials with significant impact attenuating properties.</p>	<p>fine gravel 0–8 mm</p>  <p>grass</p>  <p>unsorted sand</p> 																
<p><b><math>h &lt; 3000</math></b></p>	<p>Loose fill material</p> <p>E.g. sand/gravel 0,25...8 mm D60/D10&lt;3,0 Woodchips 5...30 mm bark 20...80 mm</p> <p>Syntethic granulates</p> <table data-bbox="399 1881 766 2060"> <thead> <tr> <th><math>\underline{S}</math></th> <th><math>\underline{h}</math></th> </tr> </thead> <tbody> <tr> <td>40 mm</td> <td>~&gt; 1,2...1,3 m</td> </tr> <tr> <td>50 mm</td> <td>~&gt; 1,5...1,7 m</td> </tr> <tr> <td>60 mm</td> <td>~&gt; 1,8...2,0 m</td> </tr> <tr> <td>70 mm</td> <td>~&gt; 2,1...2,5 m</td> </tr> </tbody> </table> <p>Note. For accurate values, see manufacturer's instructions.</p>	$\underline{S}$	$\underline{h}$	40 mm	~> 1,2...1,3 m	50 mm	~> 1,5...1,7 m	60 mm	~> 1,8...2,0 m	70 mm	~> 2,1...2,5 m	 <table data-bbox="1021 1680 1356 1792"> <thead> <tr> <th><math>\underline{S}</math></th> <th><math>\underline{h}</math></th> </tr> </thead> <tbody> <tr> <td>30 cm</td> <td>&lt; 2,0 m</td> </tr> <tr> <td>40 cm</td> <td>&lt; 3,0 m</td> </tr> </tbody> </table> 	$\underline{S}$	$\underline{h}$	30 cm	< 2,0 m	40 cm	< 3,0 m
$\underline{S}$	$\underline{h}$																	
40 mm	~> 1,2...1,3 m																	
50 mm	~> 1,5...1,7 m																	
60 mm	~> 1,8...2,0 m																	
70 mm	~> 2,1...2,5 m																	
$\underline{S}$	$\underline{h}$																	
30 cm	< 2,0 m																	
40 cm	< 3,0 m																	

REMOVE SAFETY SURFACE/SAND/GRAVEL  
TO CHECK FOUNDATION

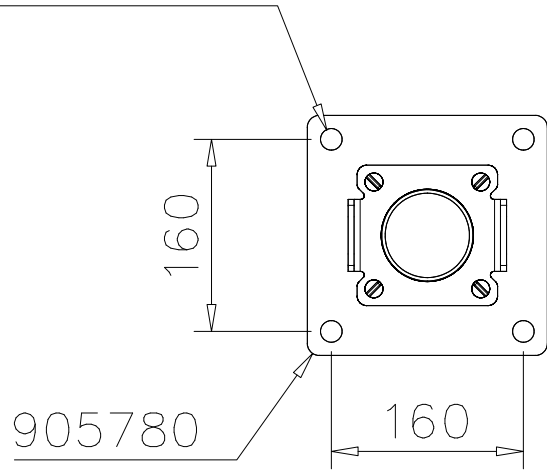


REMOVE SAFETY SURFACE/SAND/GRAVEL  
TO CHECK FOUNDATION

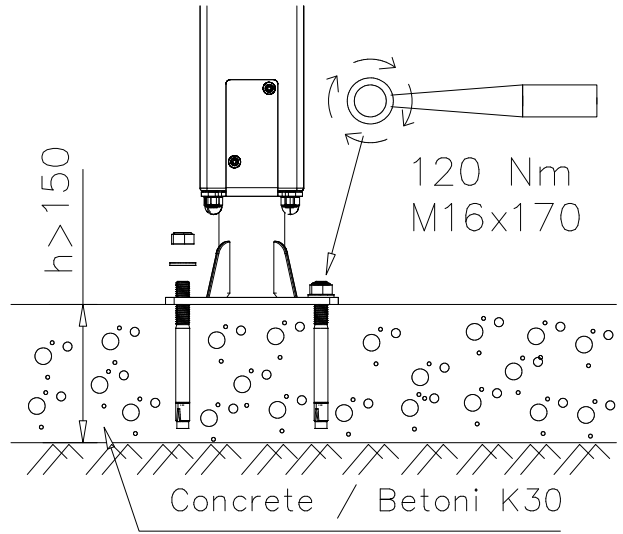


DET 1

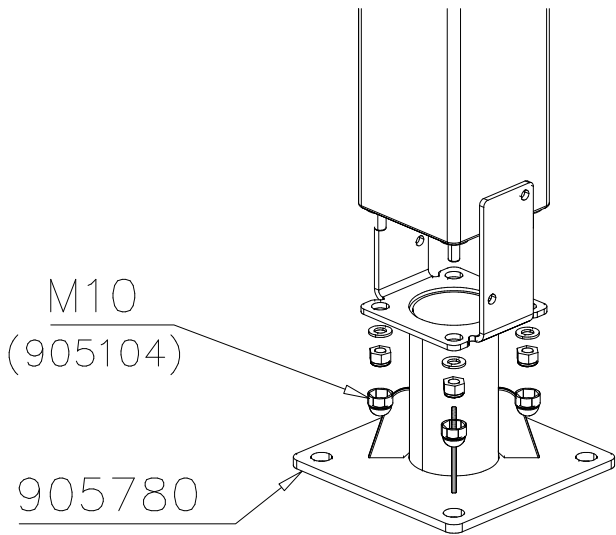
$\varnothing 16 \downarrow > 130$



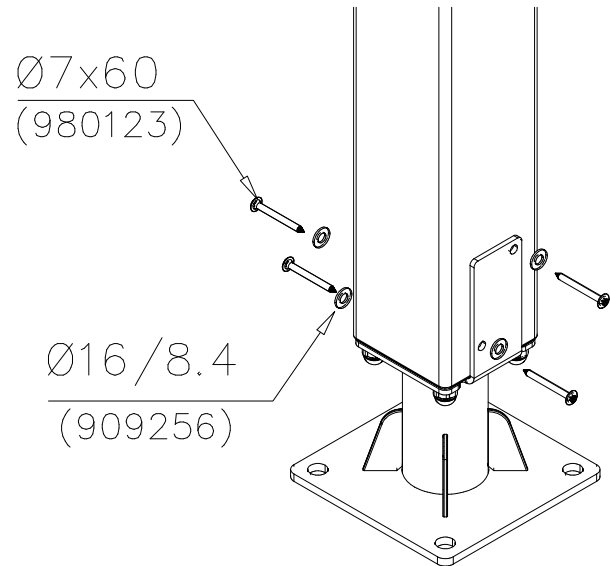
DET 2



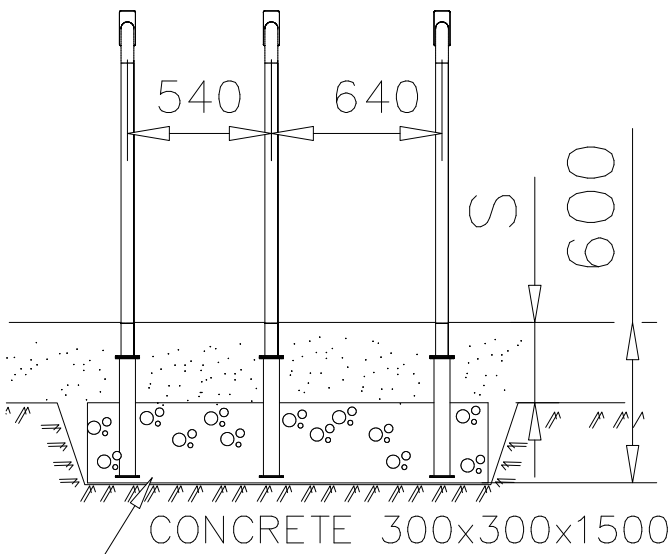
DET 3



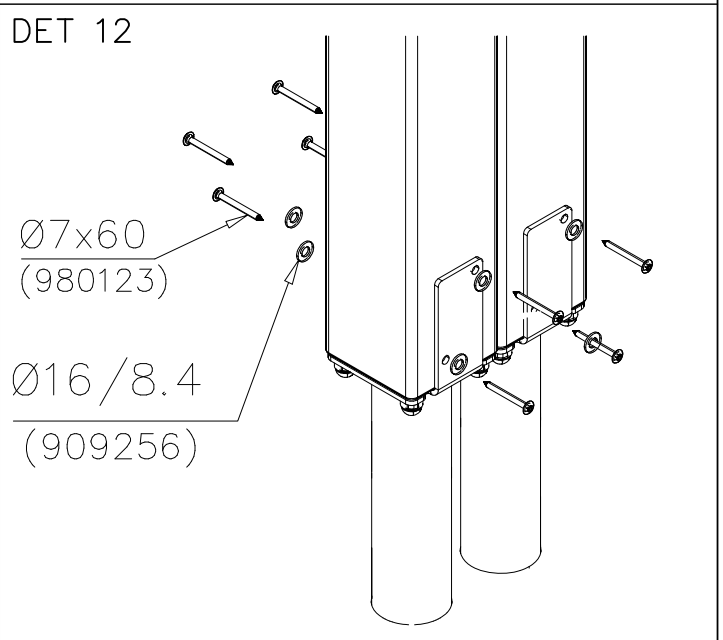
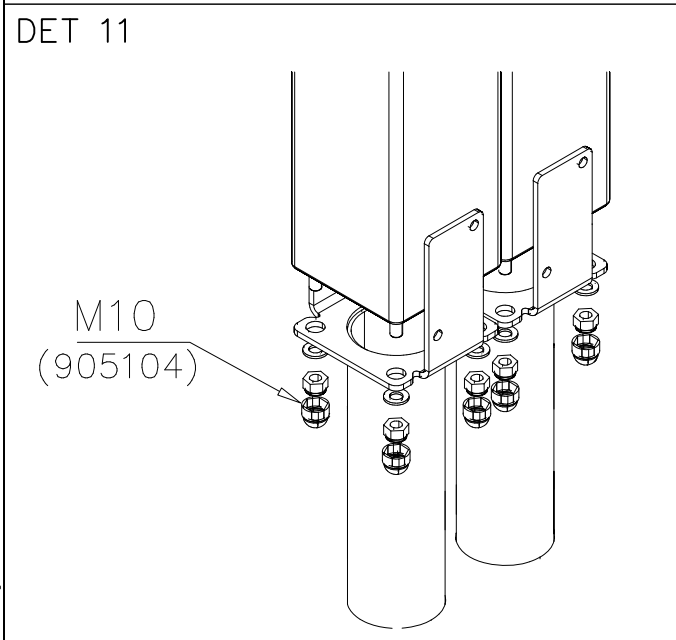
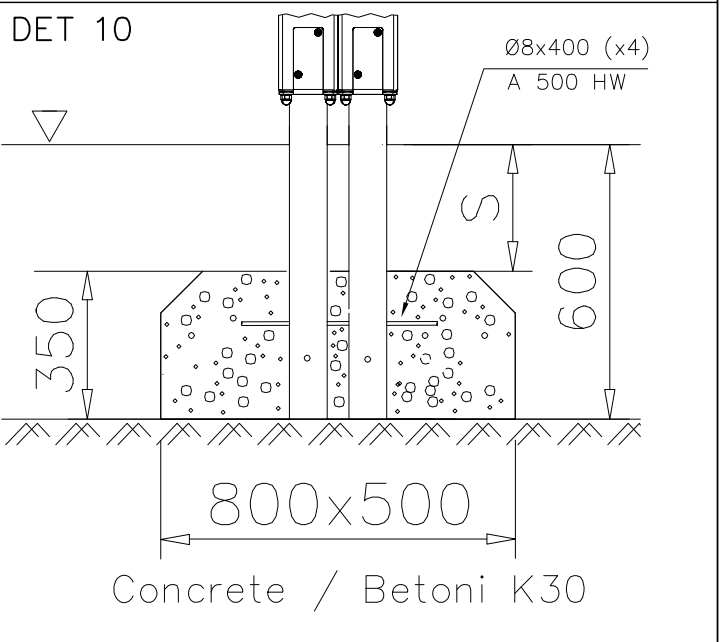
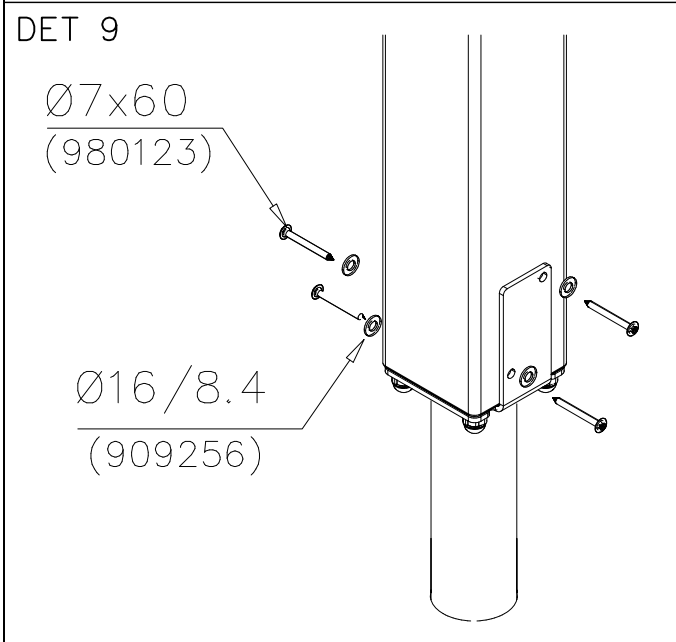
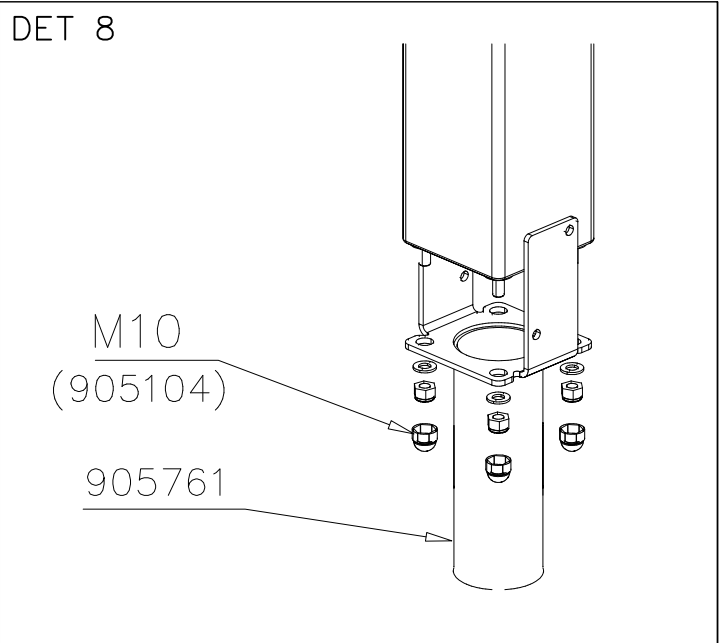
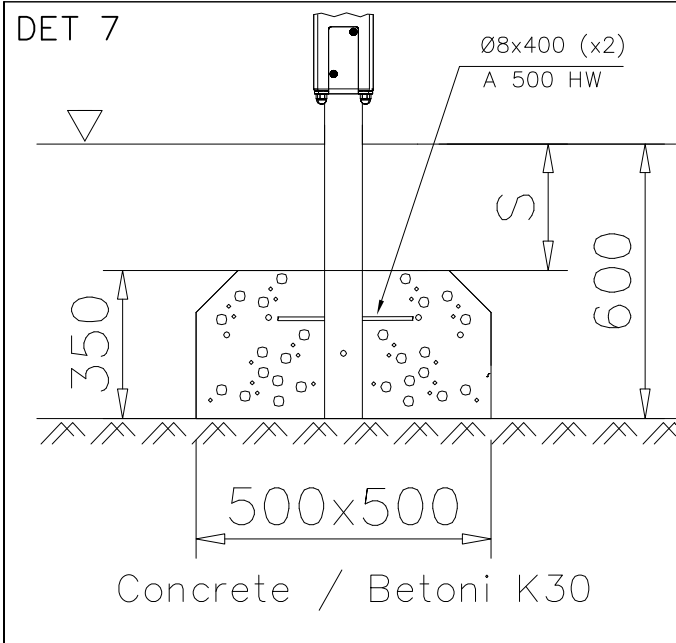
DET 4



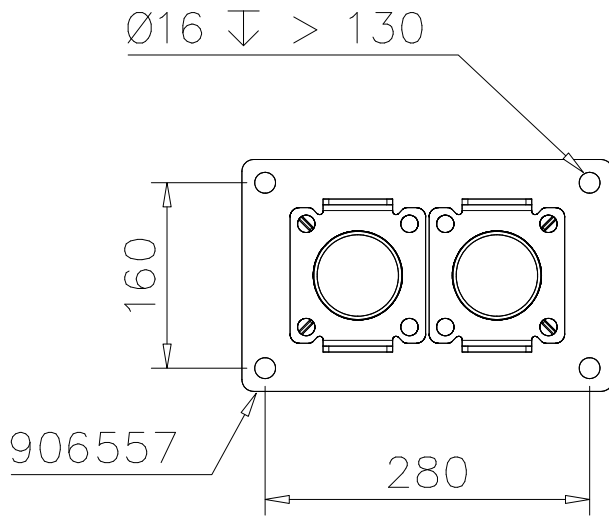
DET 5



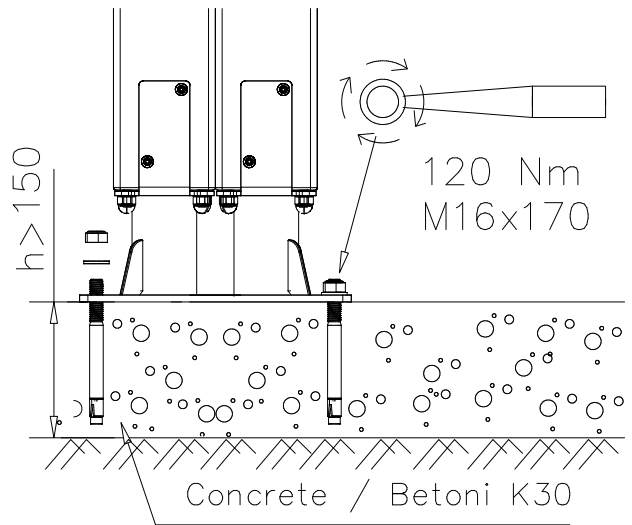
DET 6



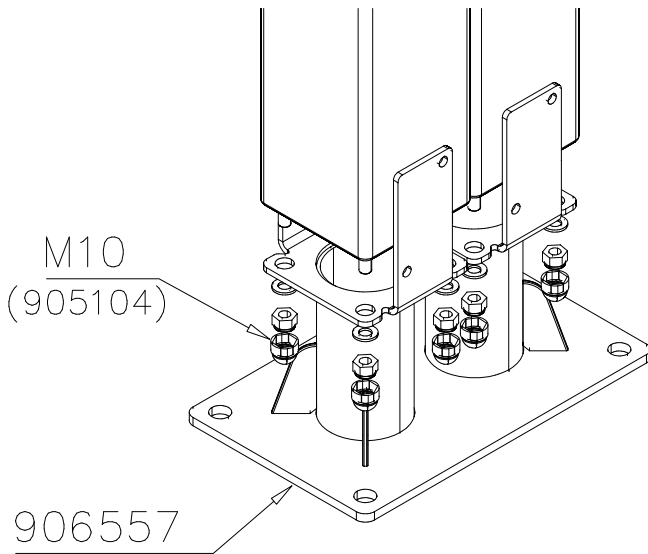
DET 13



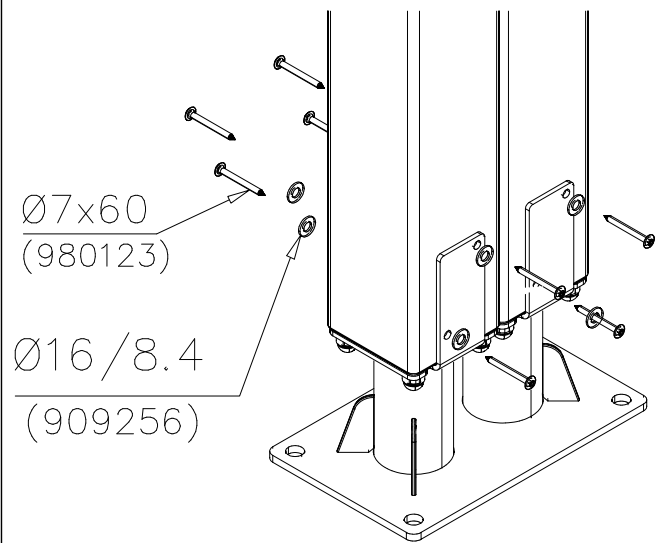
DET 14



DET 15



DET 16



DET 17

DET 18

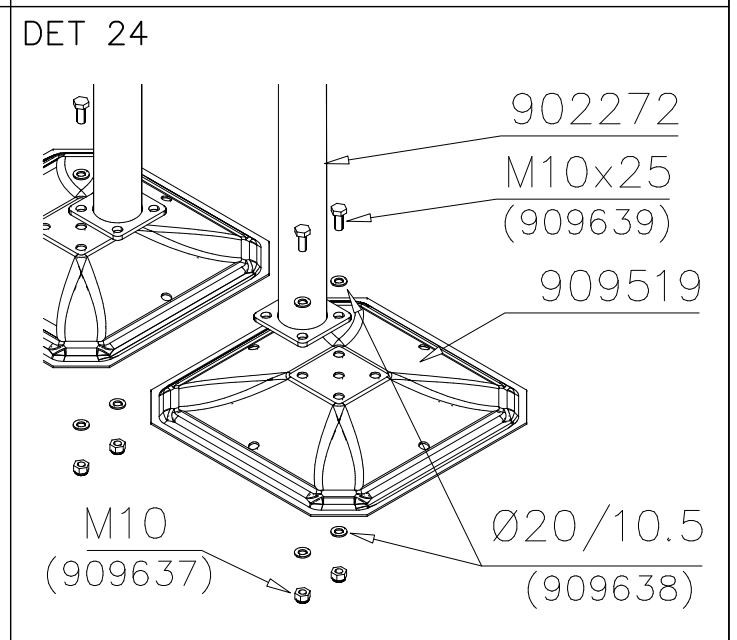
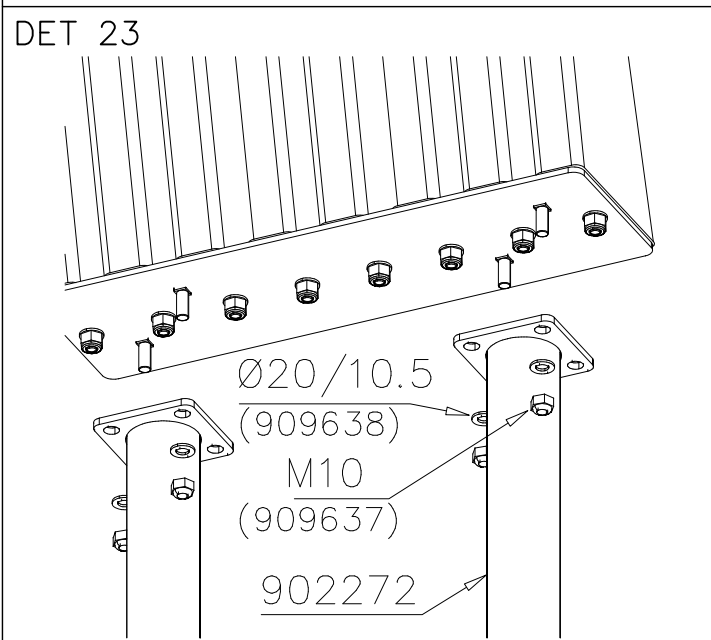
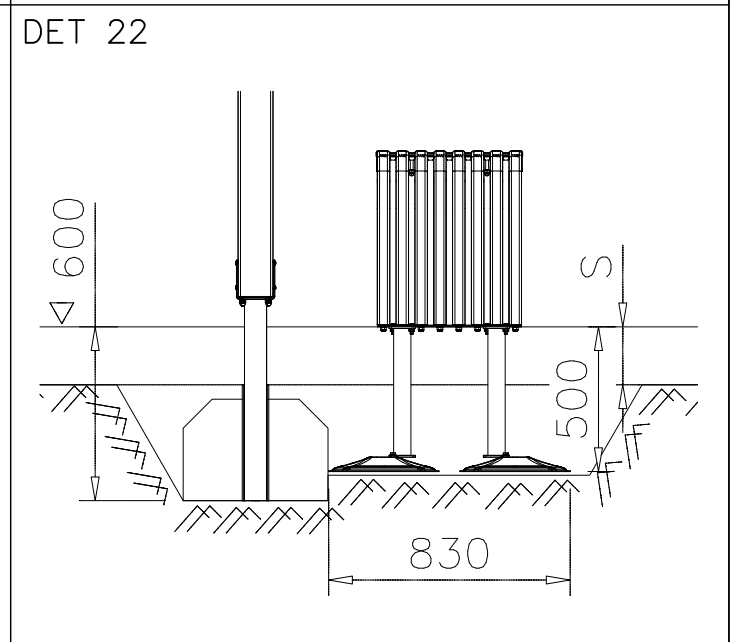
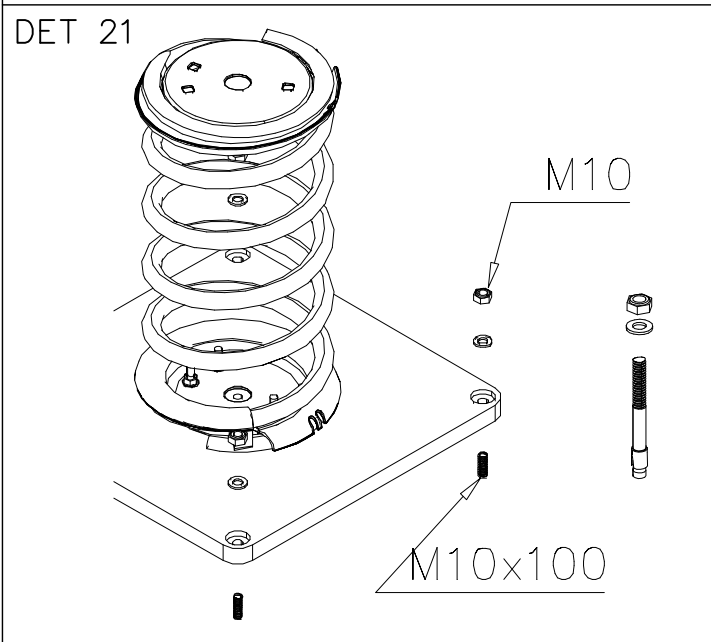
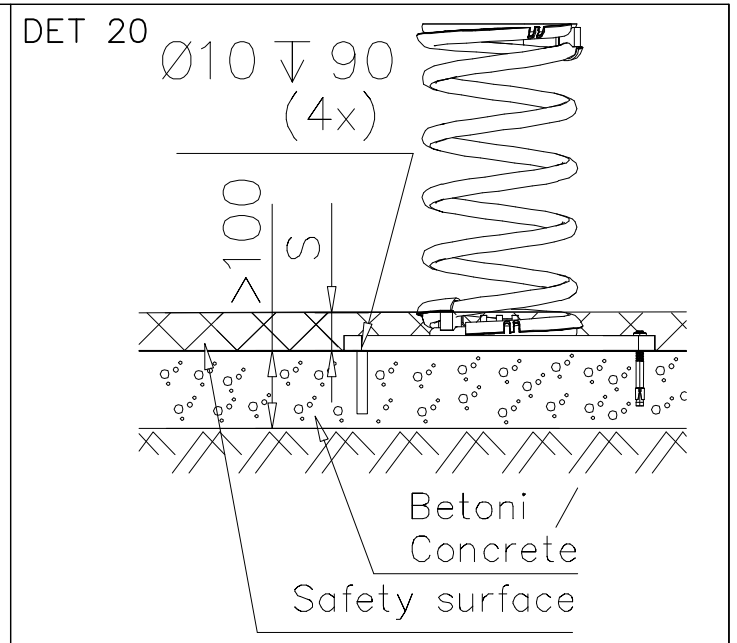
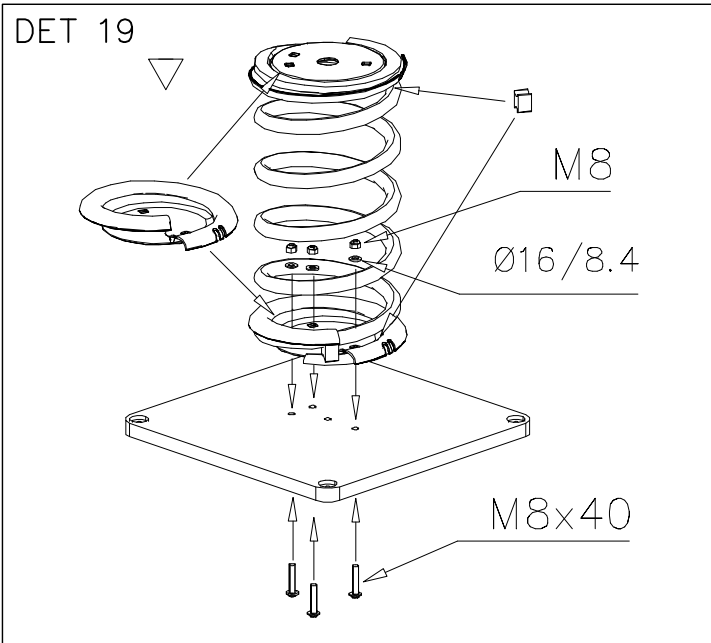
# WINAM GROUP SPORT

# BASE

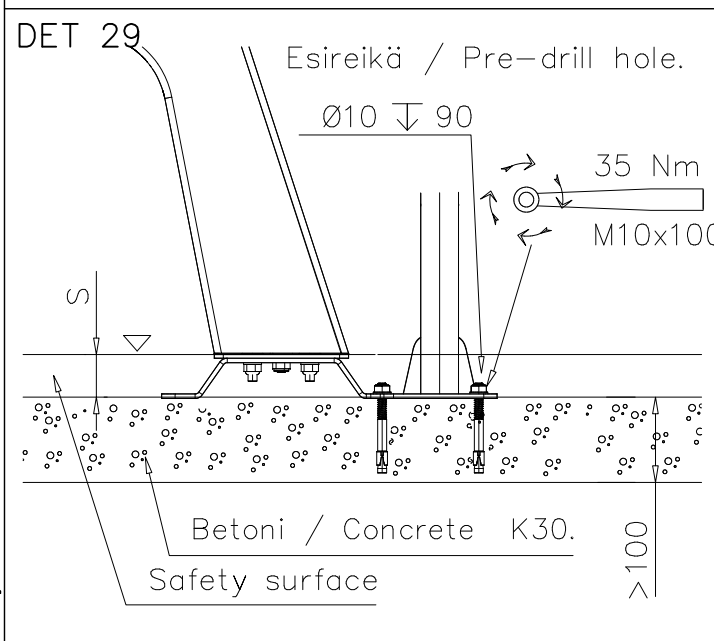
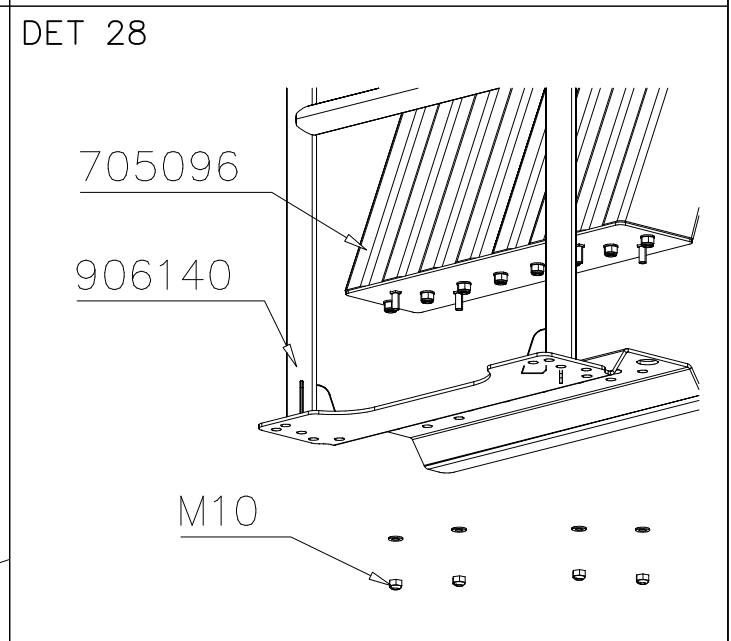
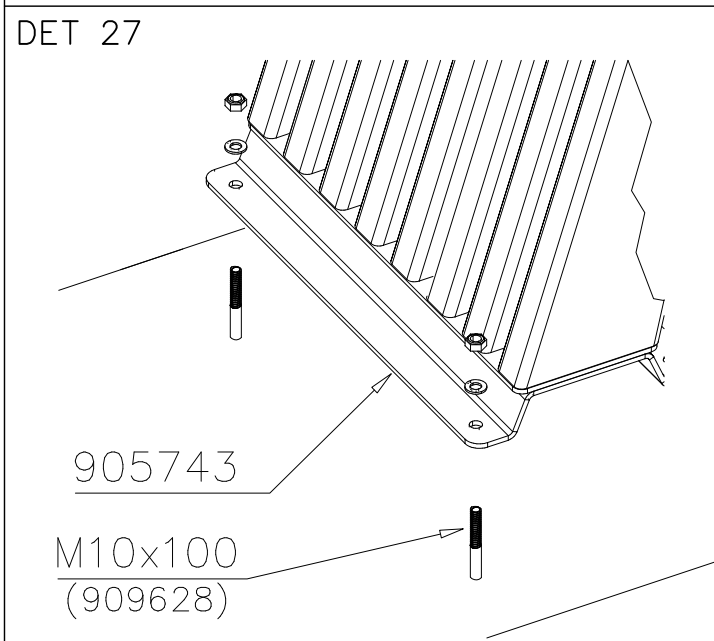
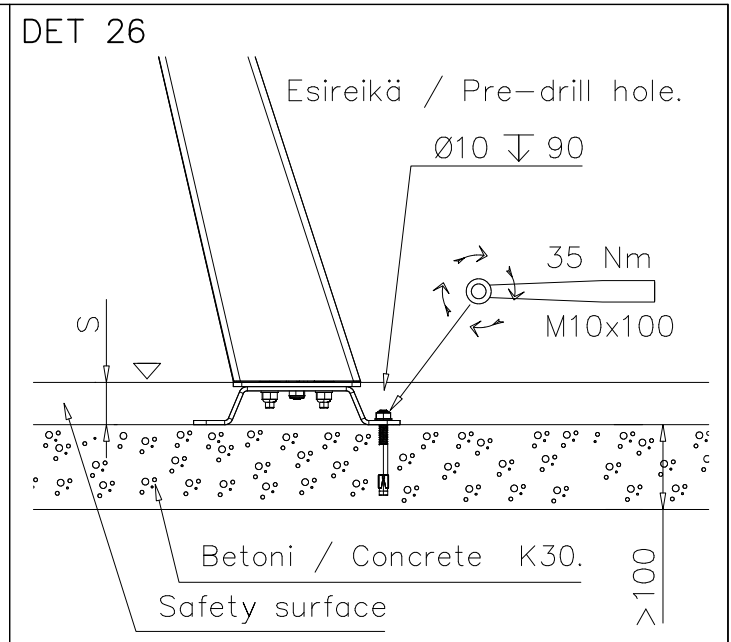
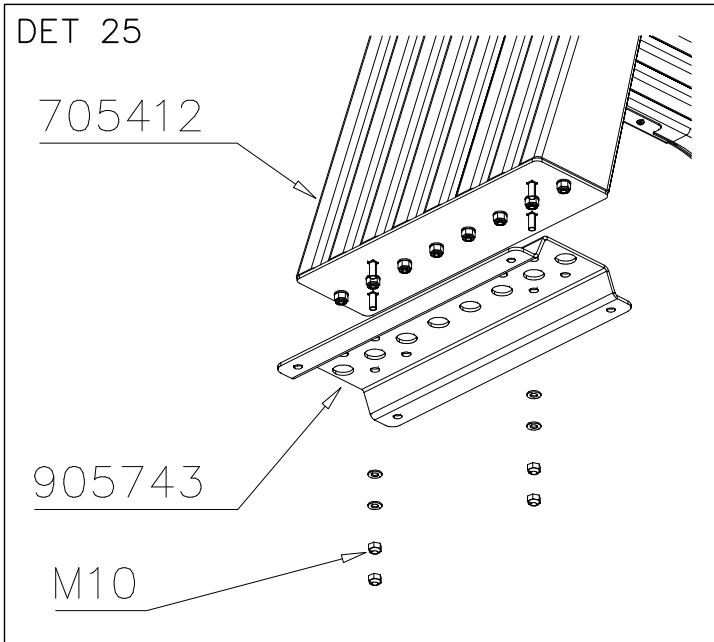


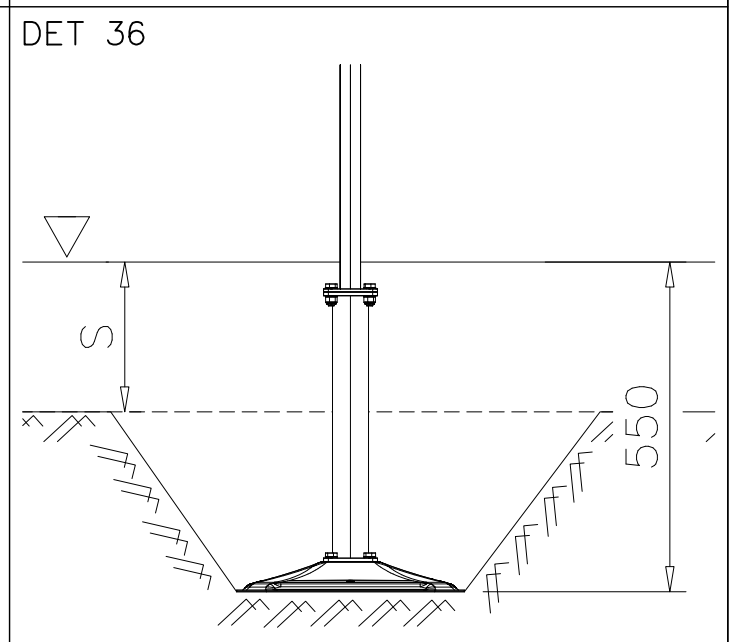
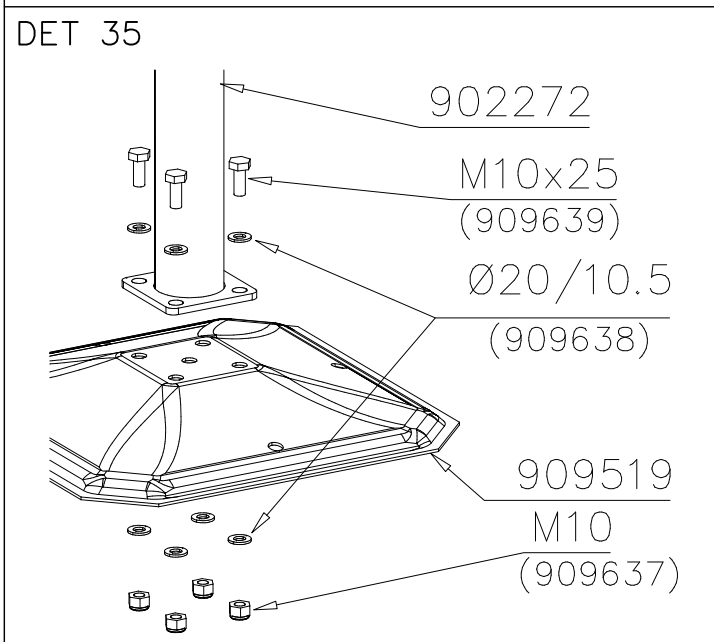
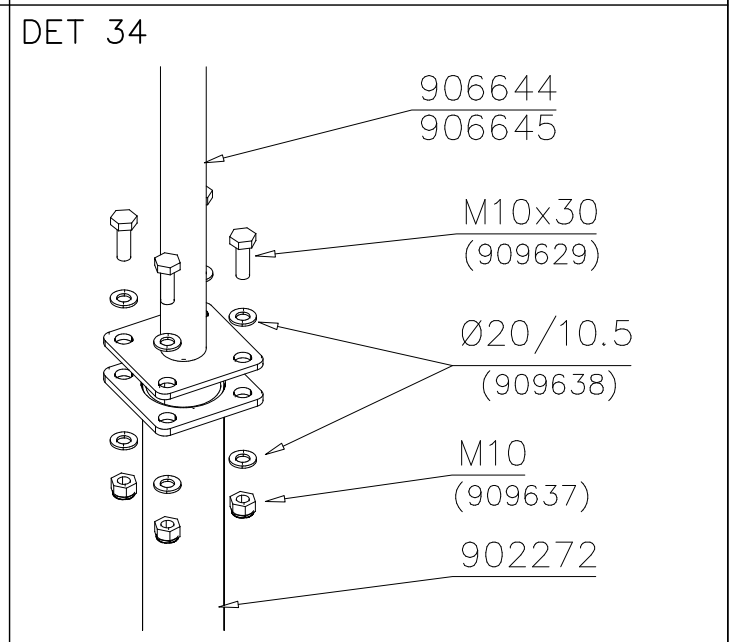
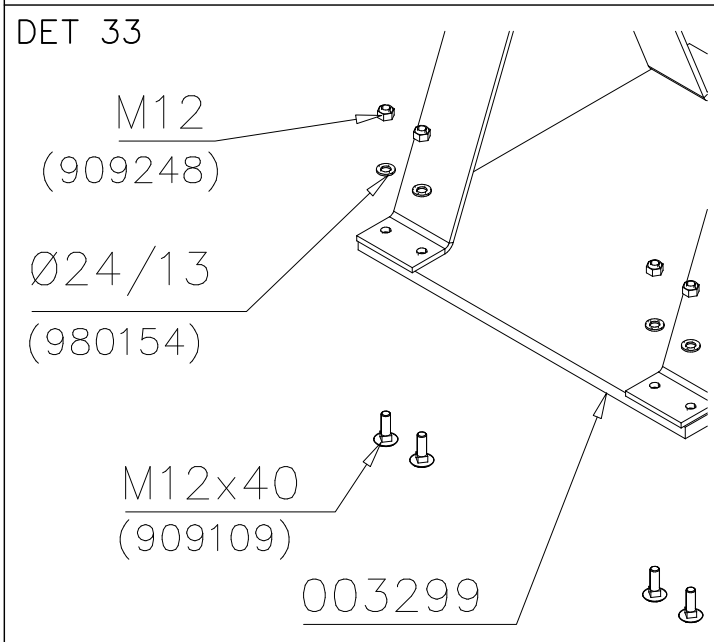
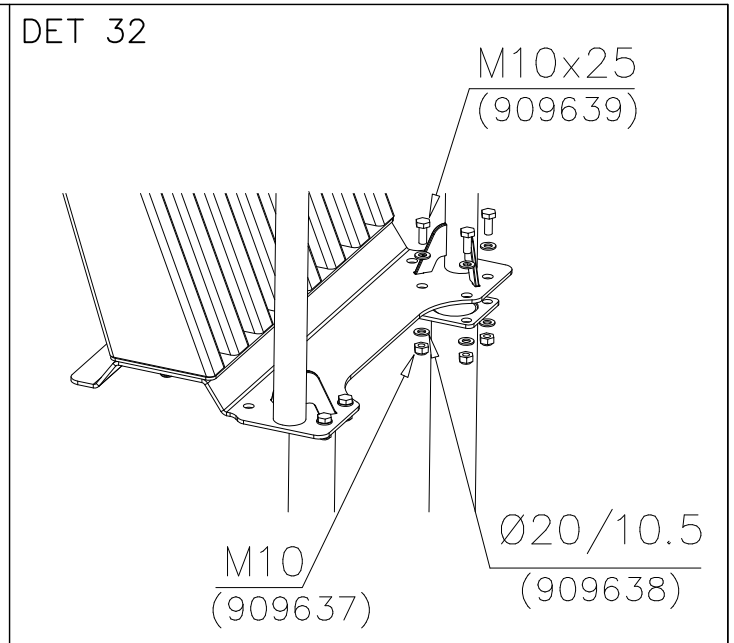
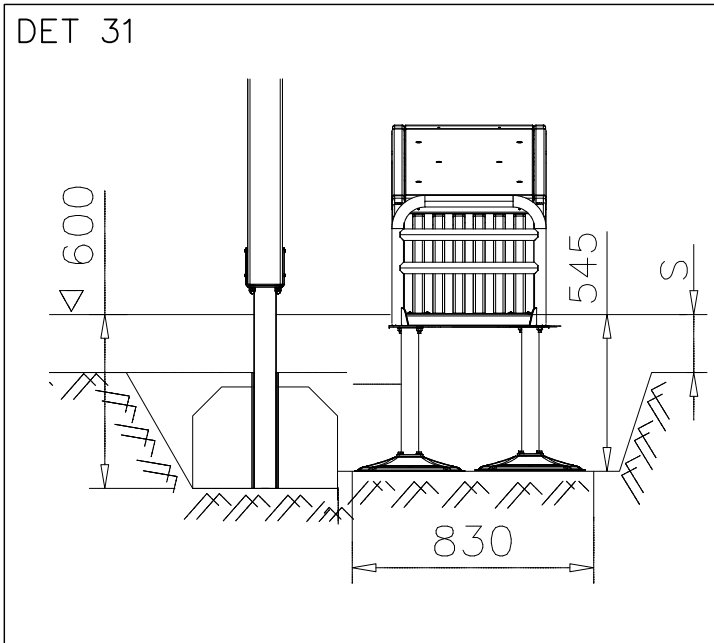
DATE: 29.4.2015

PLAY 4(10)

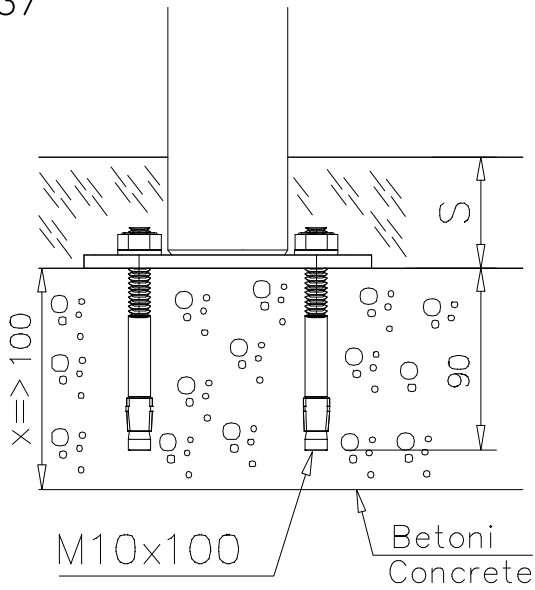




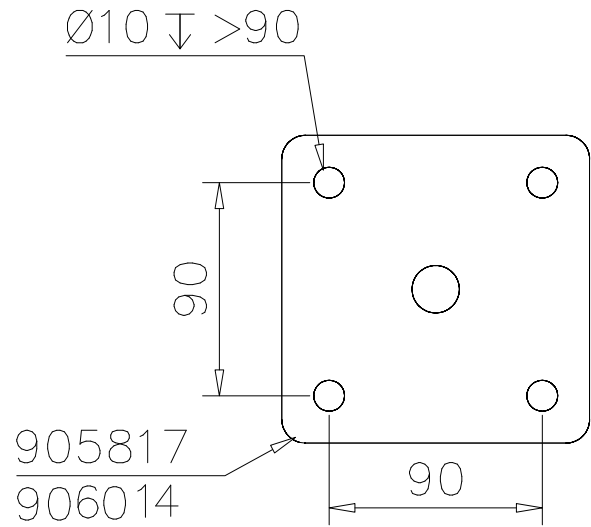




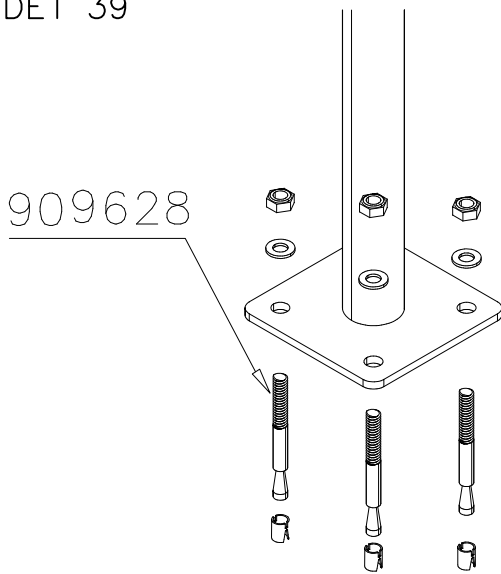
DET 37



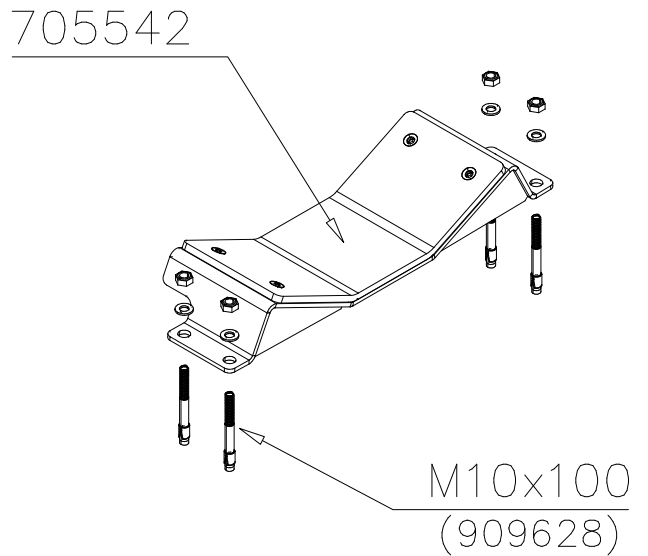
DET 38



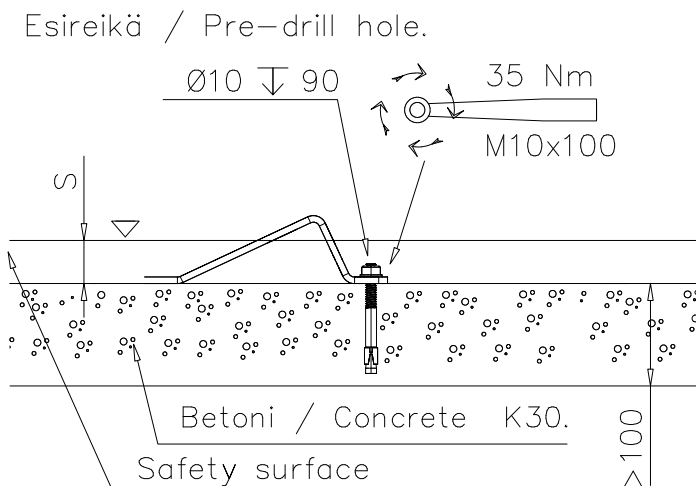
DET 39



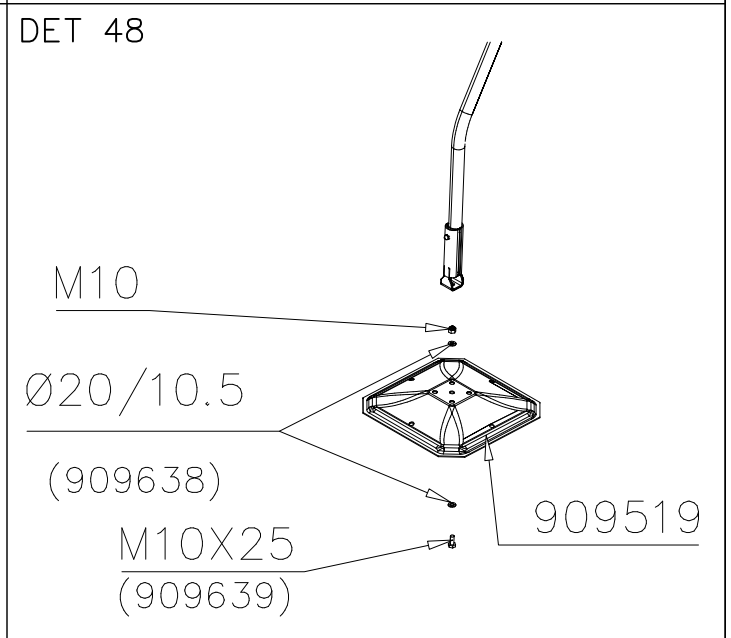
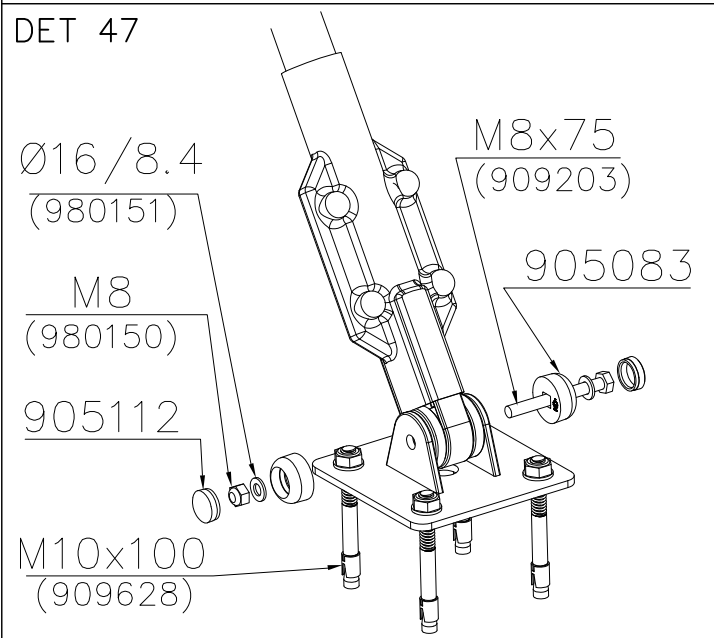
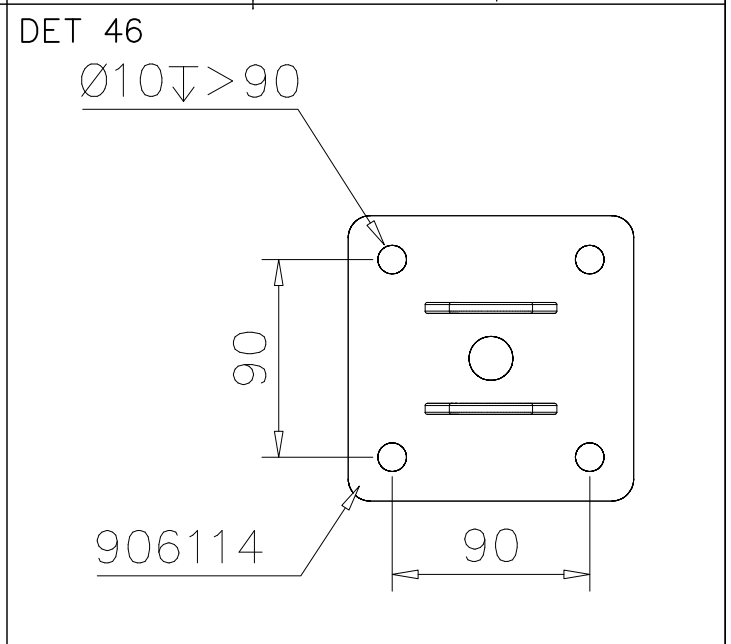
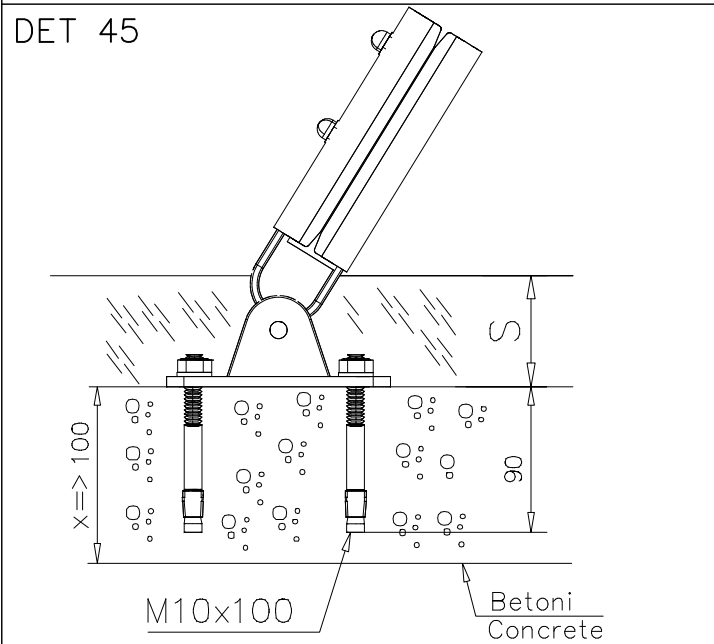
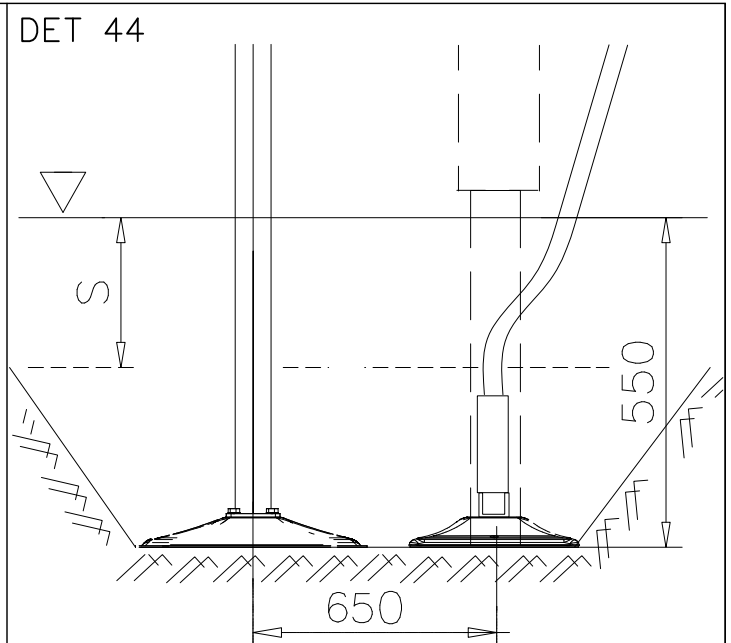
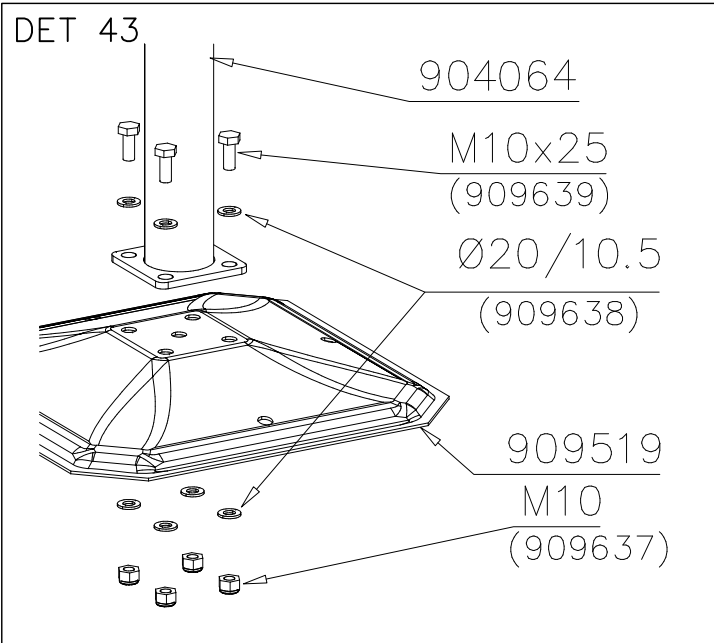
DET 40



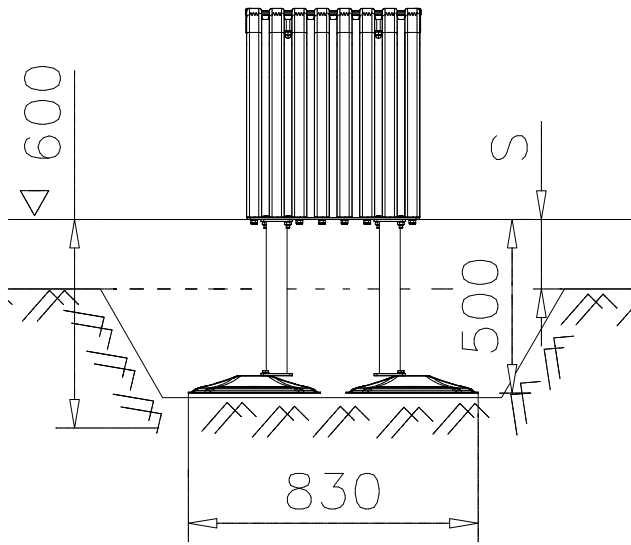
DET 41



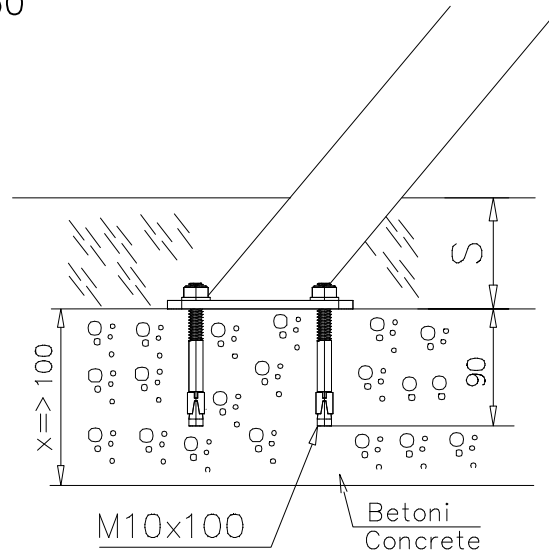
DET 42



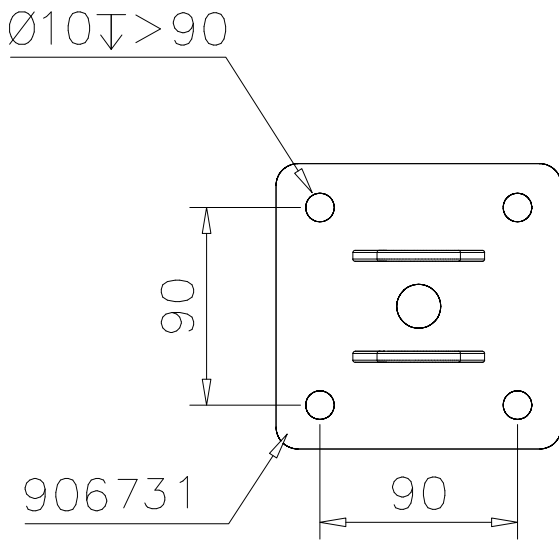
DET 49



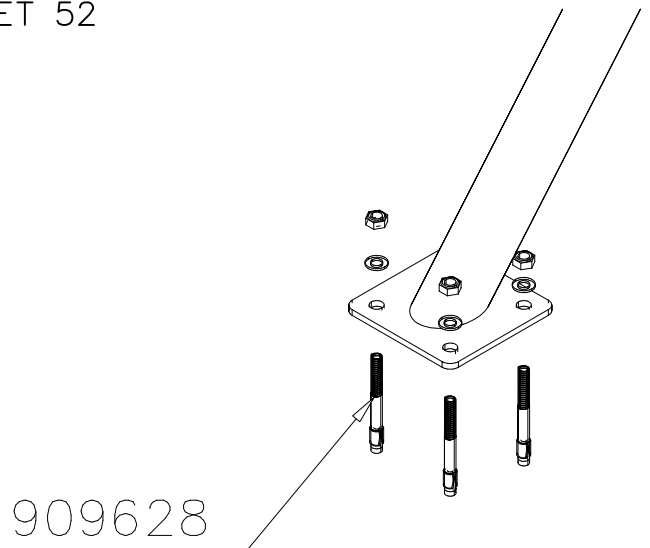
DET 50



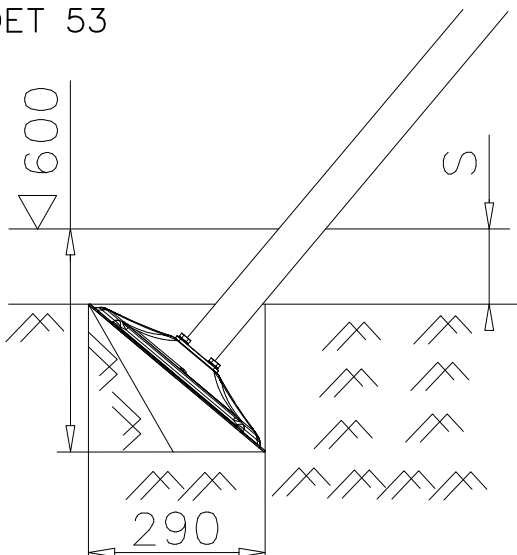
DET 51



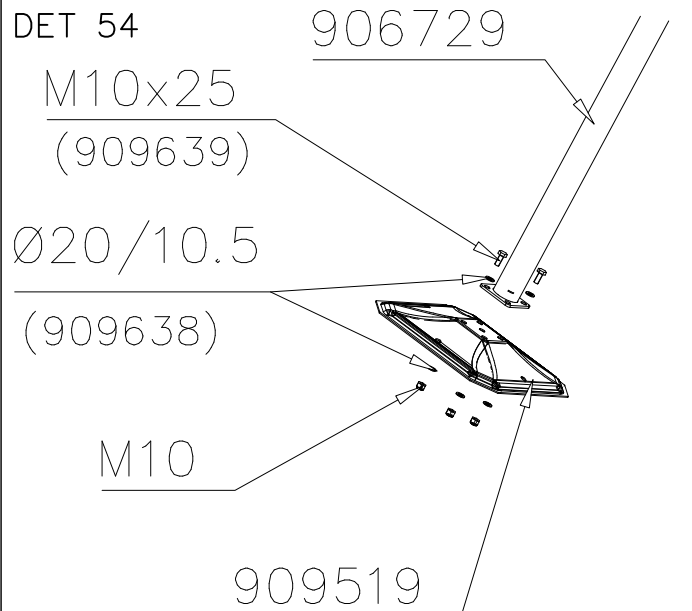
DET 52



DET 53

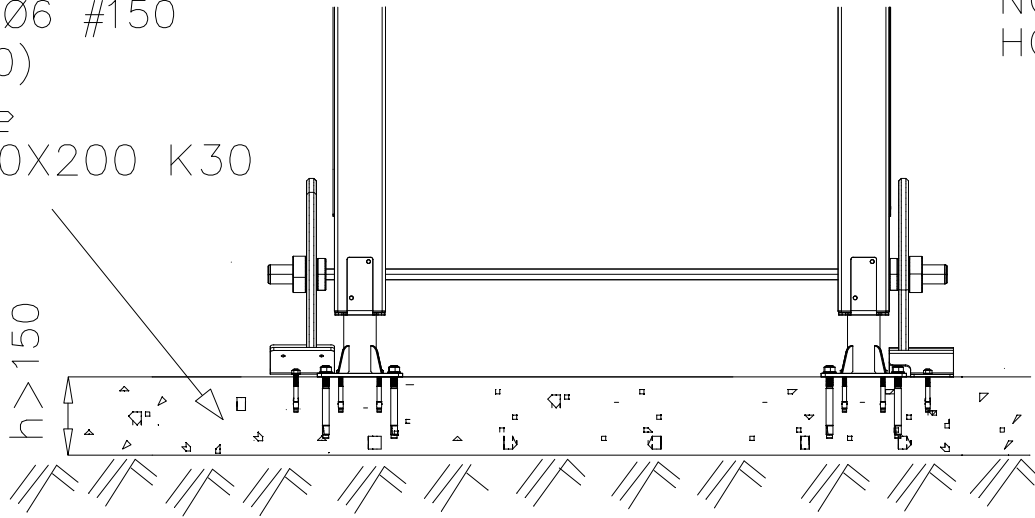


DET 54



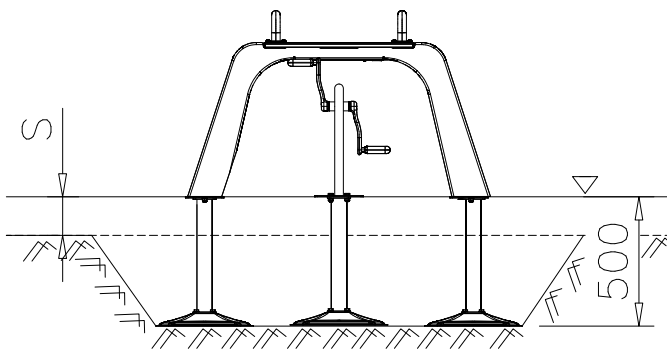
DET 55

STEELNET Ø6 #150  
(1400x2100)  
Concrete  
1500X2200X200 K30

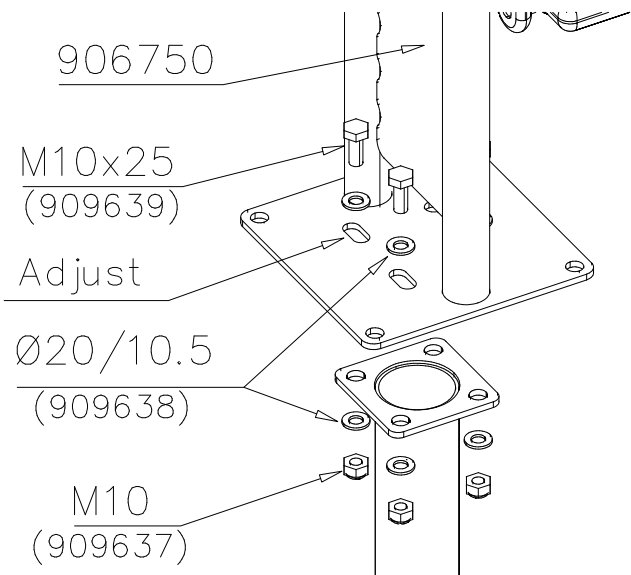


NOTE!  
HOX!

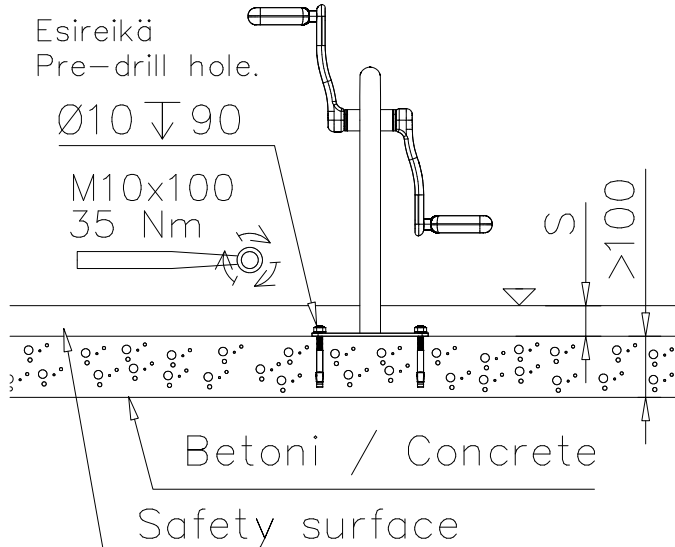
DET 56



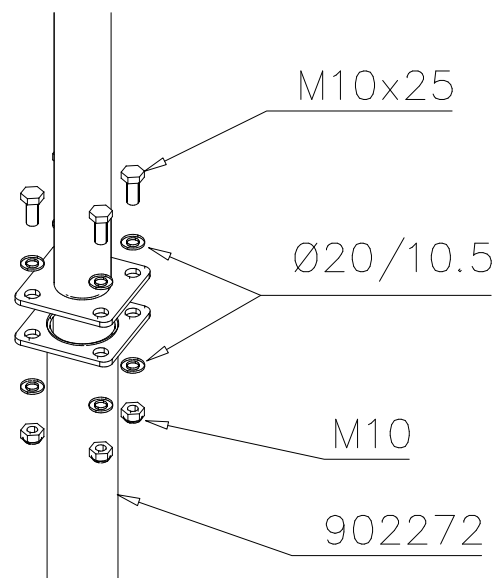
DET 57



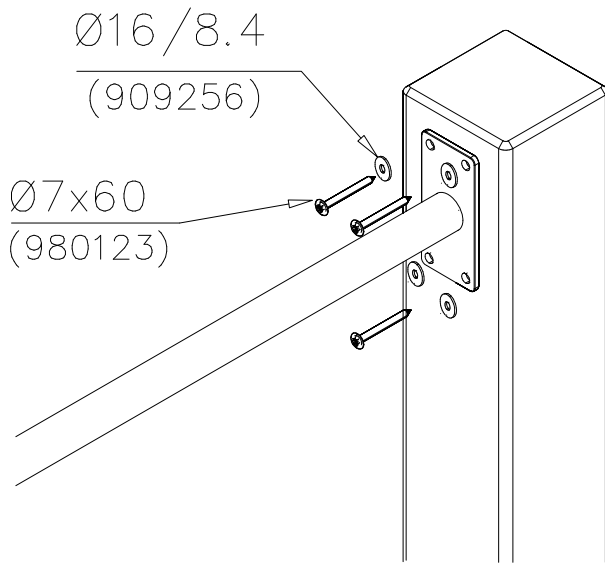
DET 58



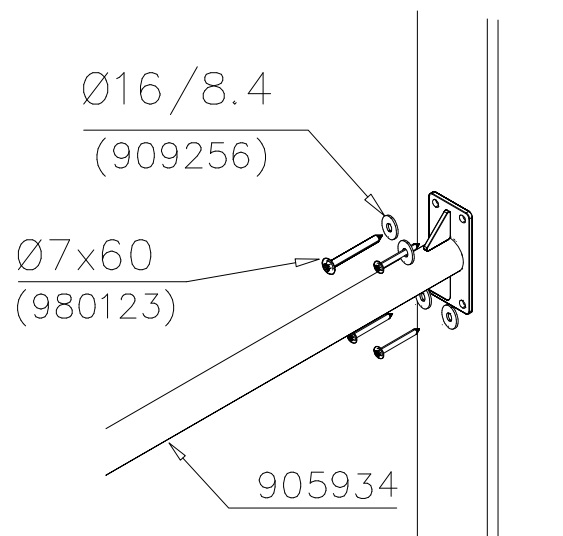
DET 59



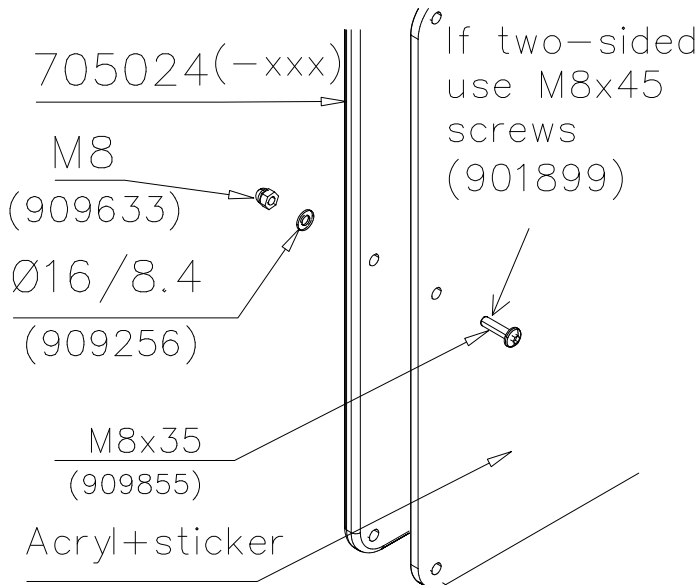
DET 1



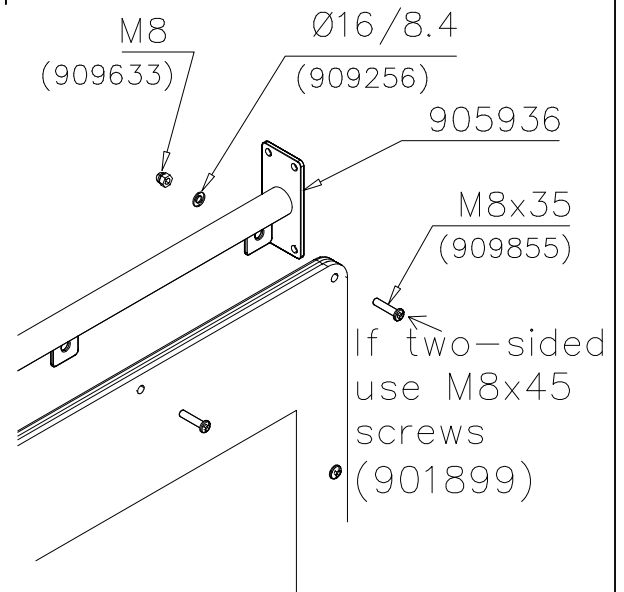
DET 2



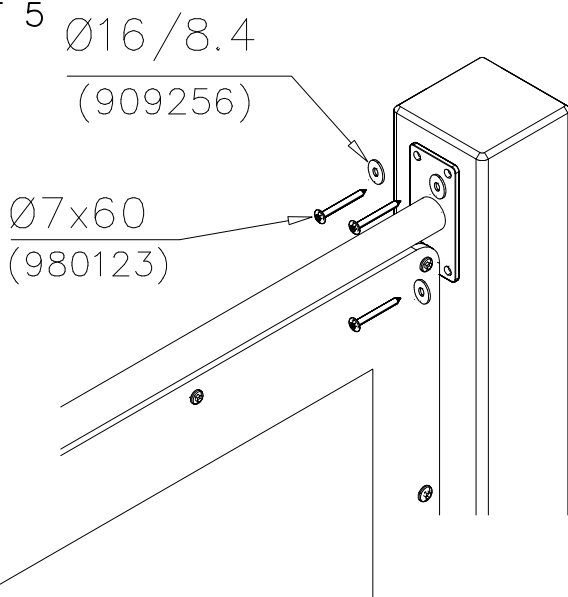
DET 3



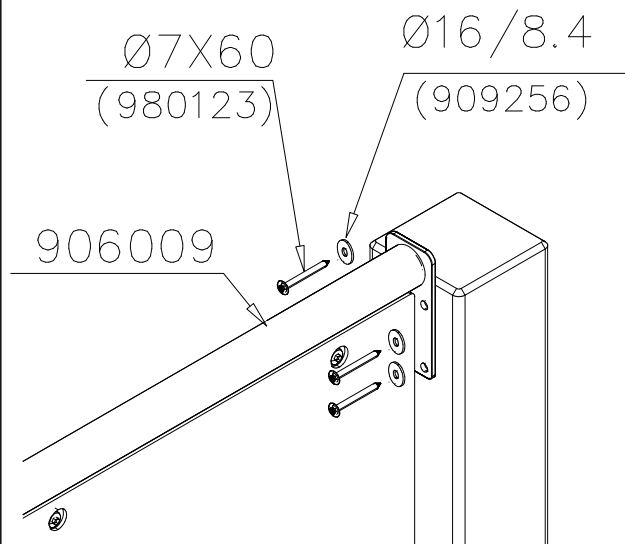
DET 4

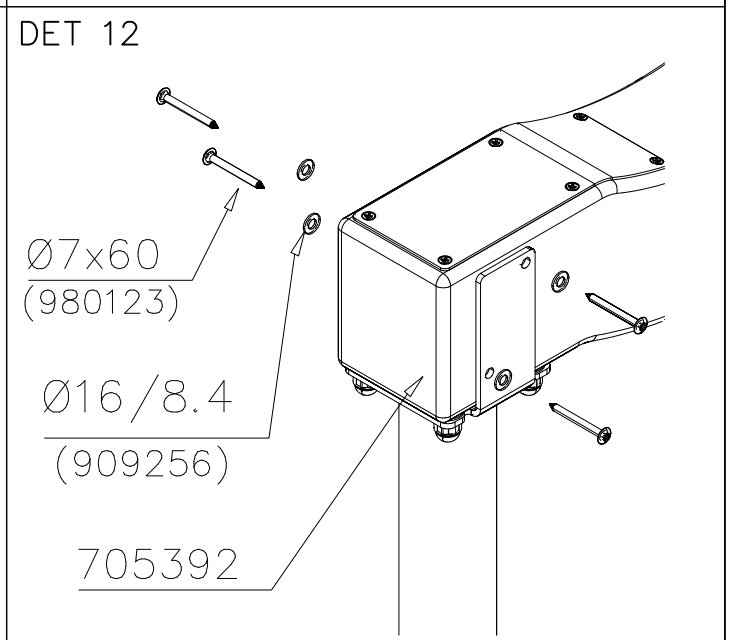
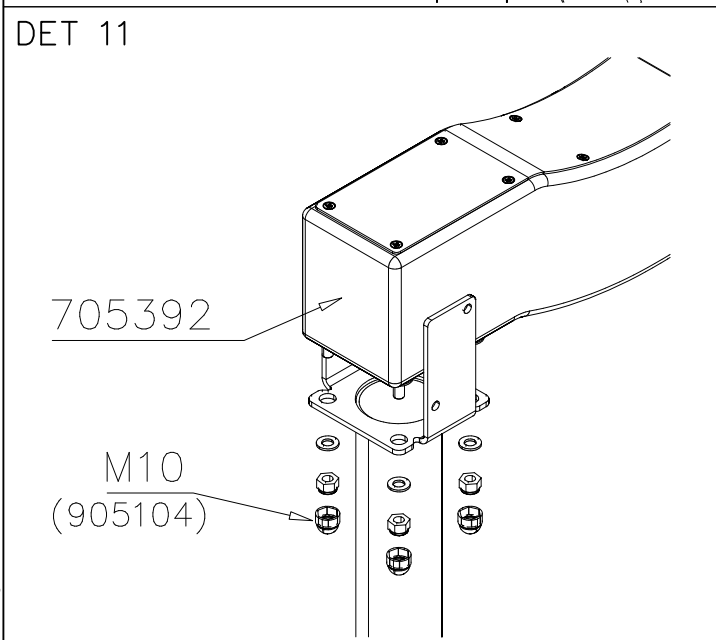
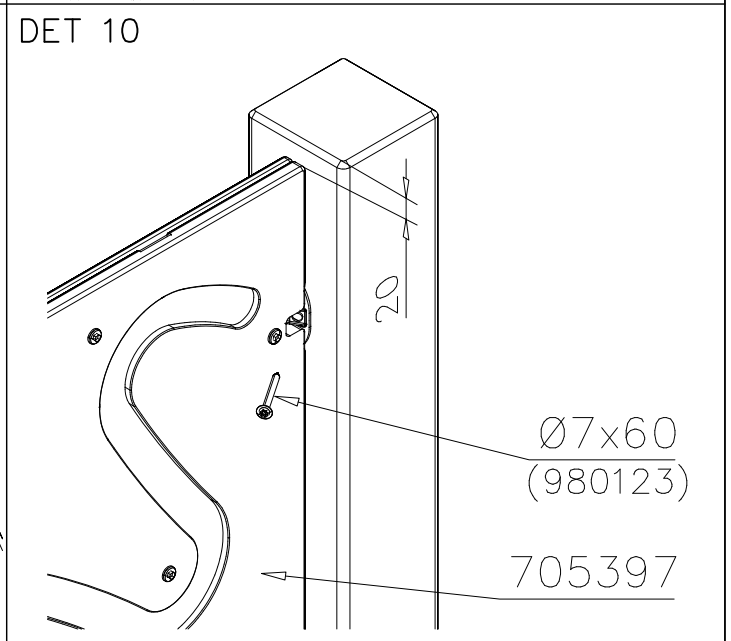
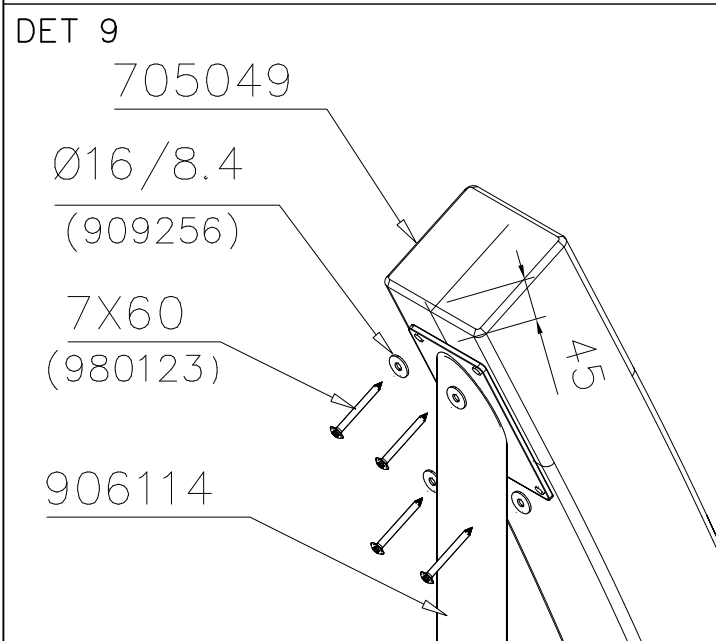
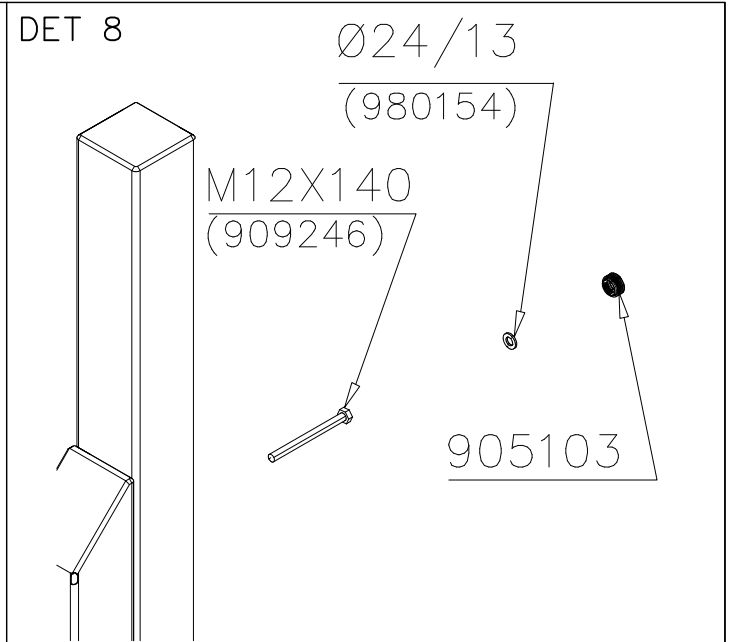
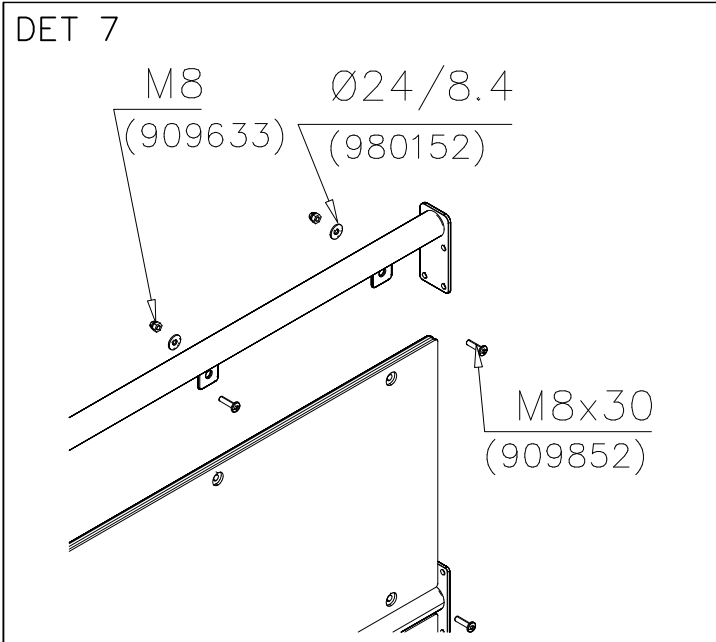


DET 5

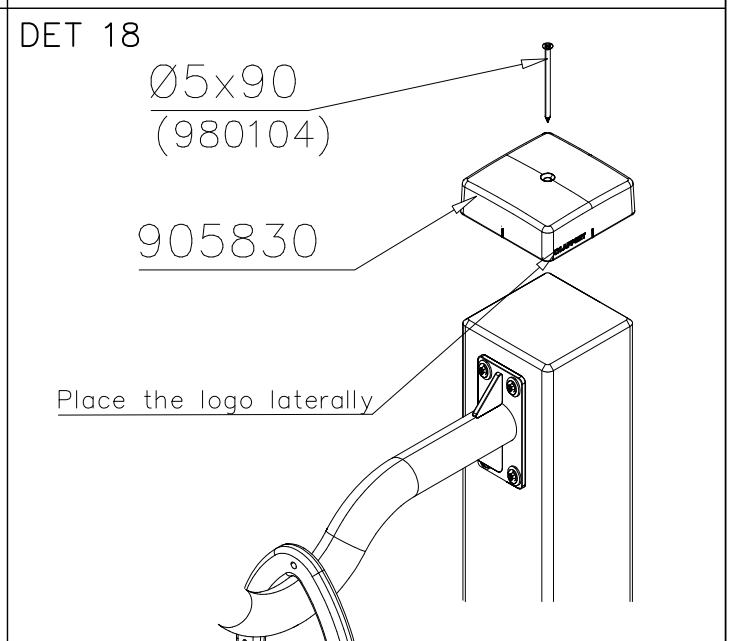
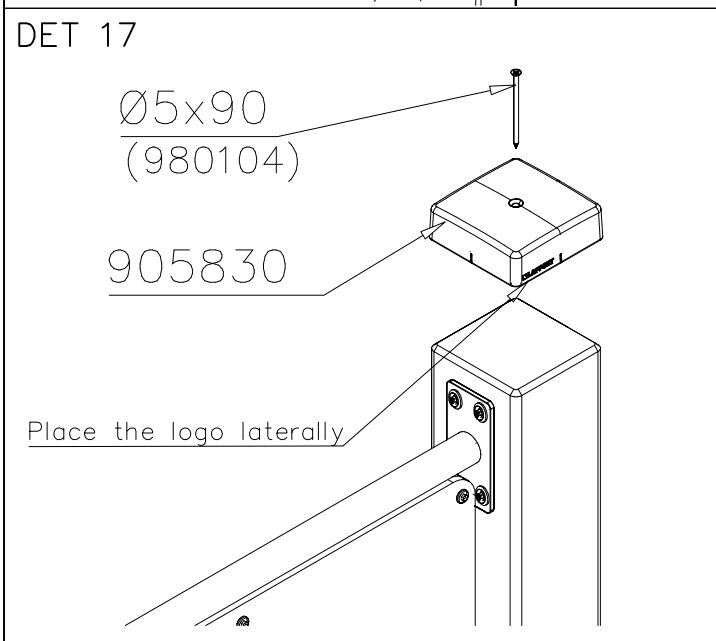
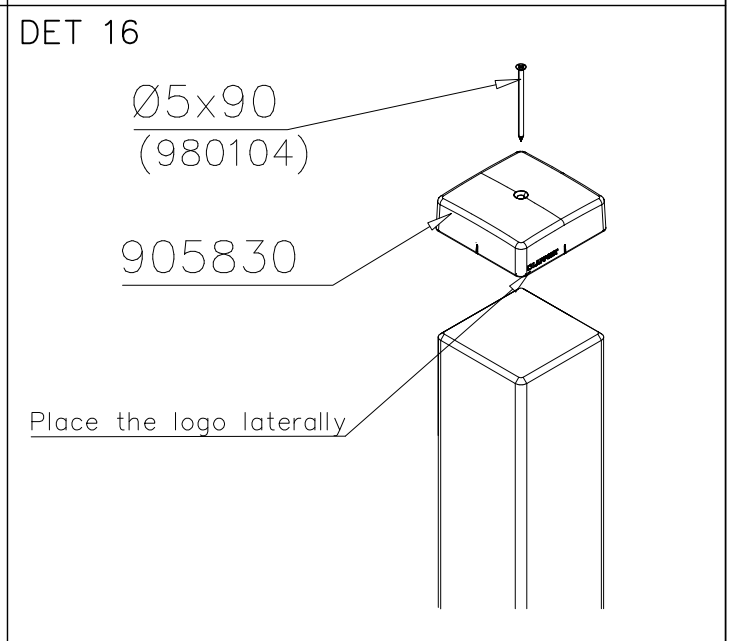
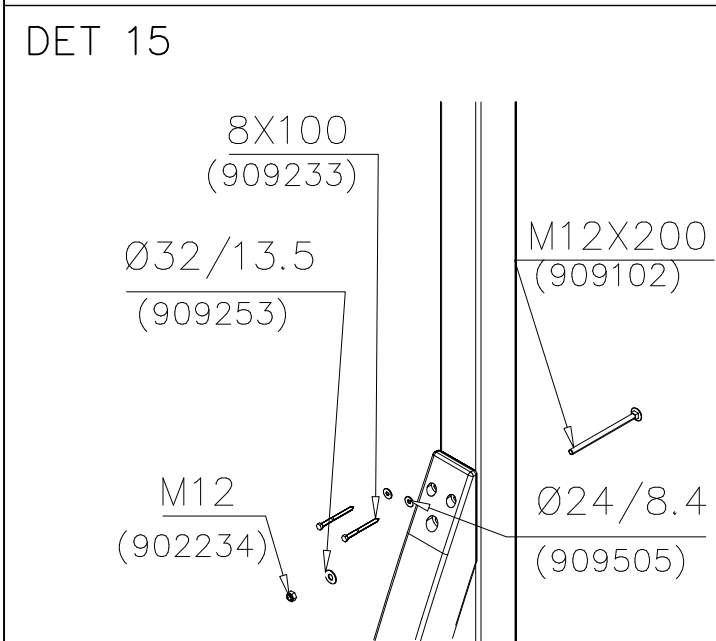
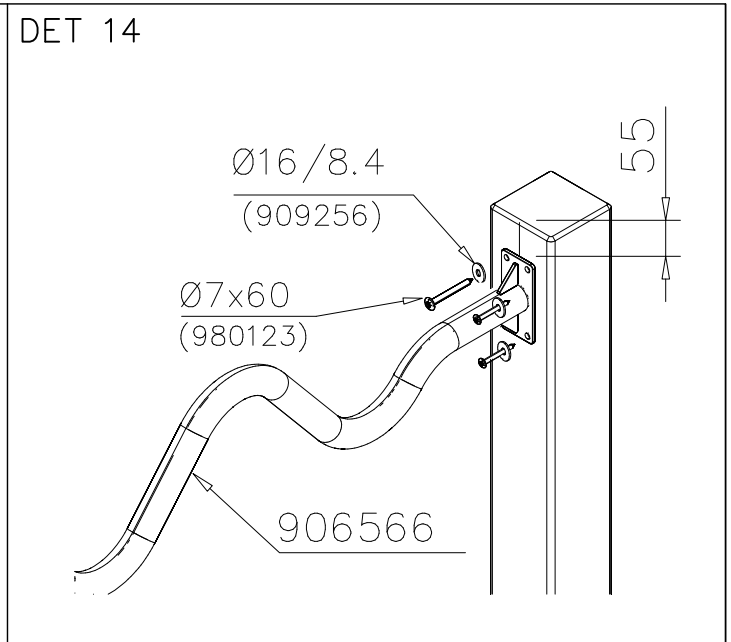
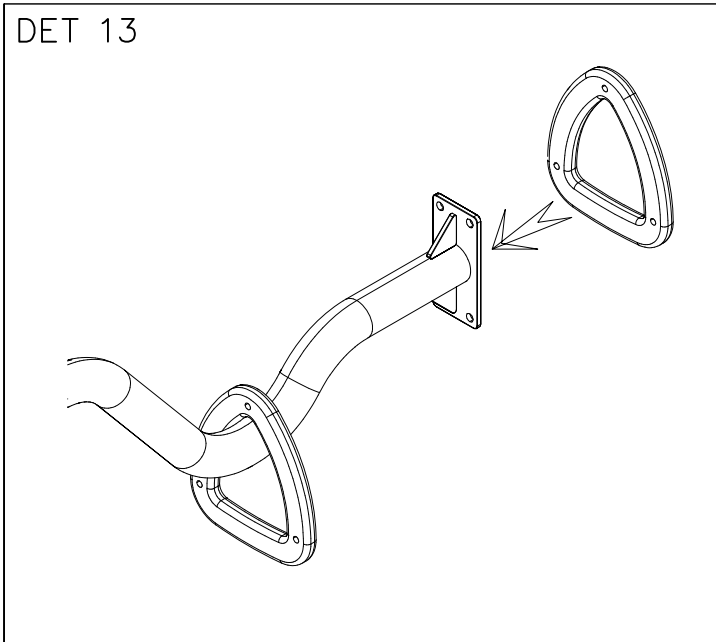


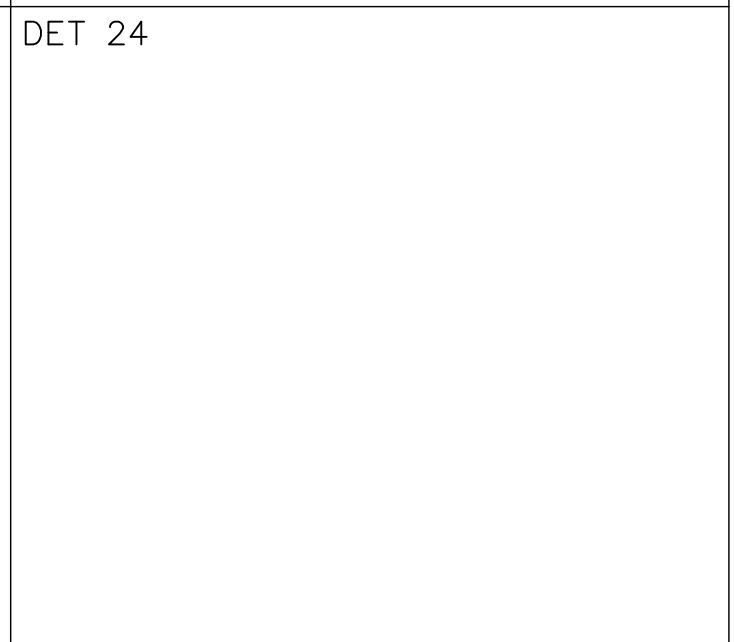
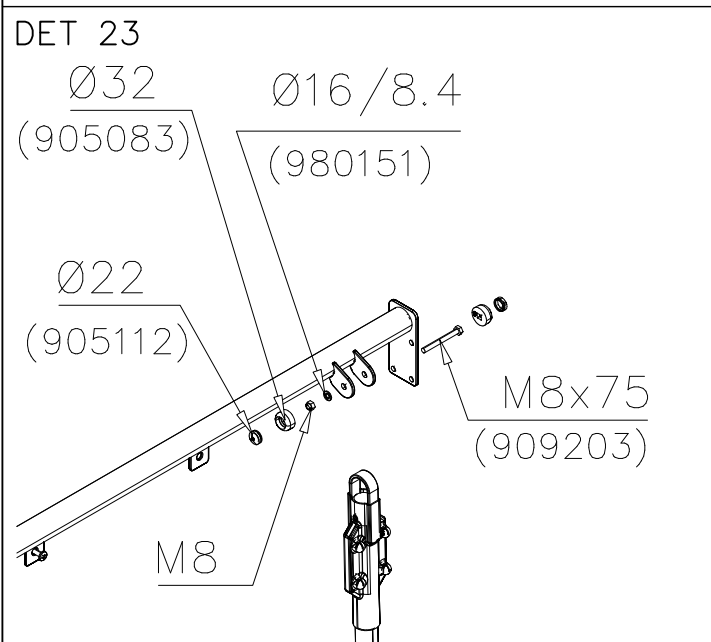
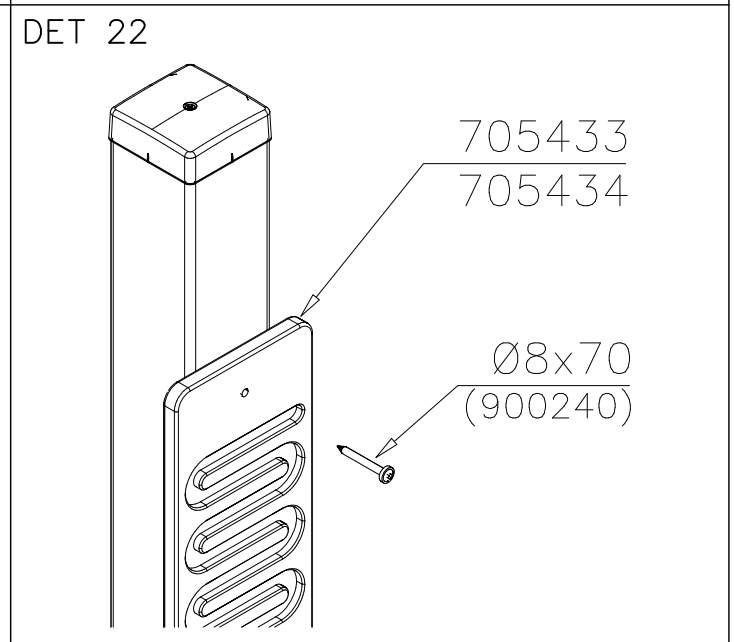
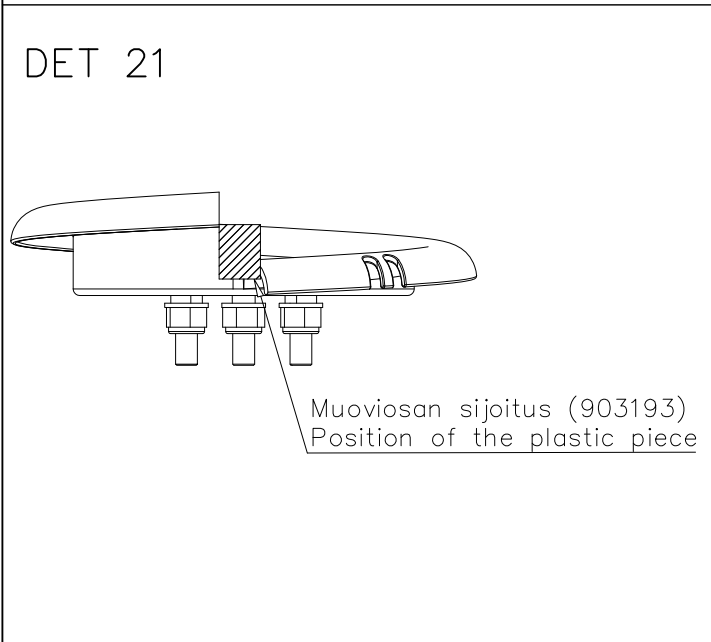
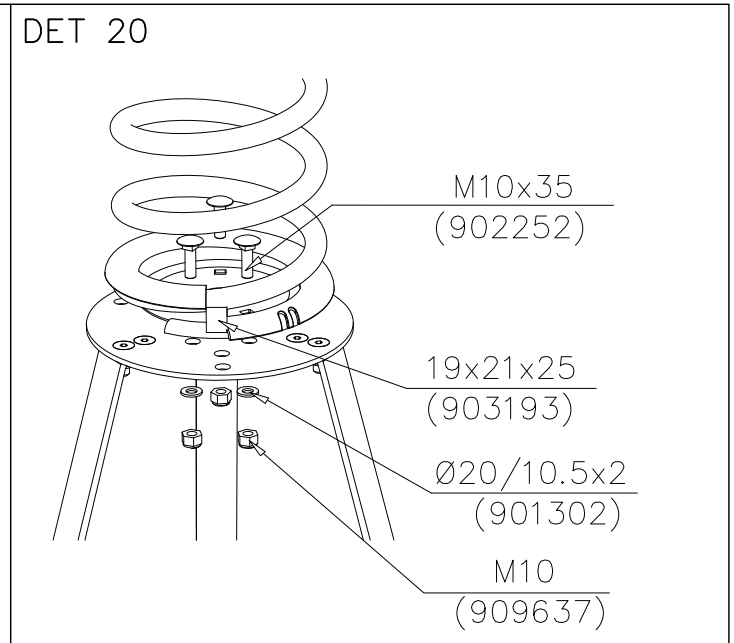
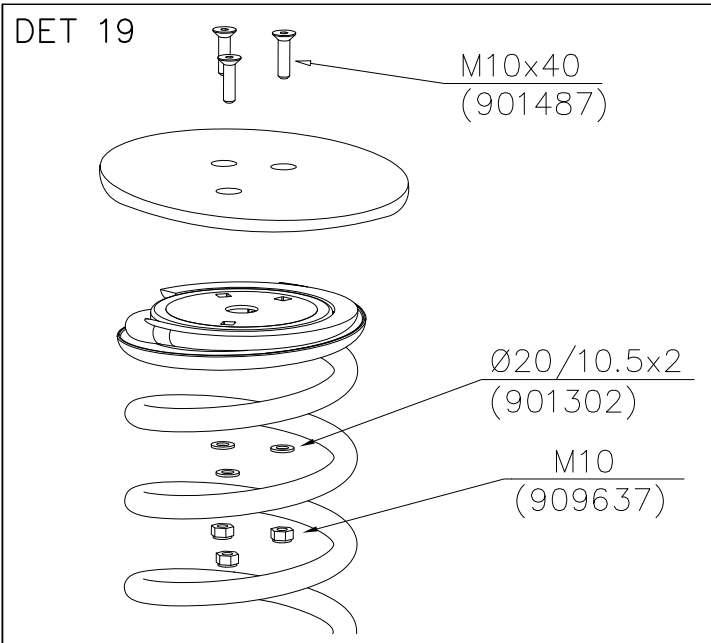
DET 6

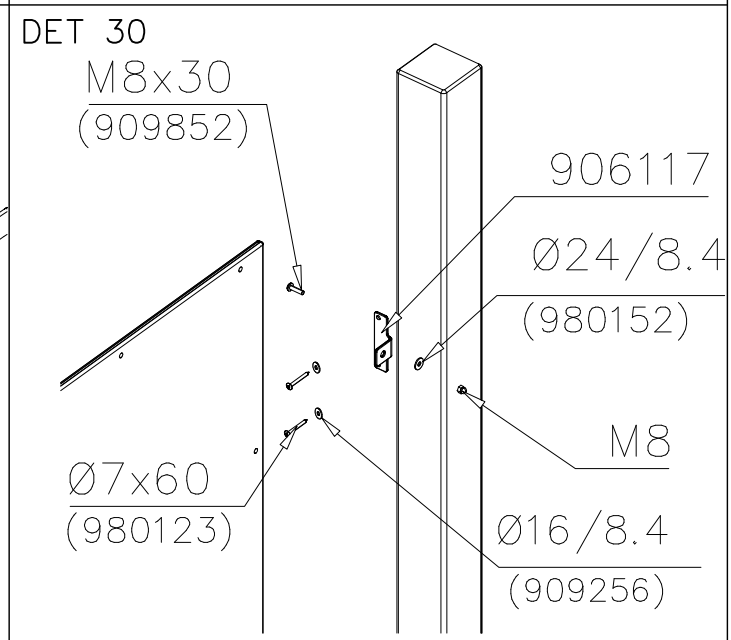
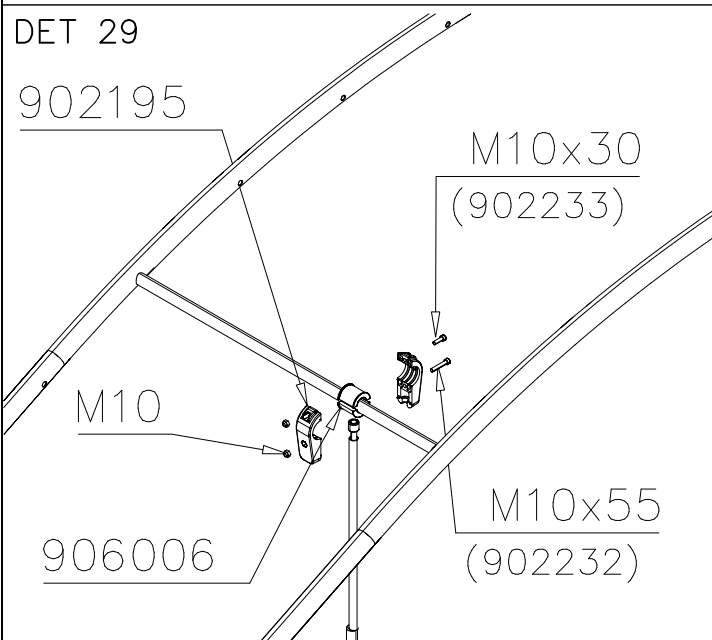
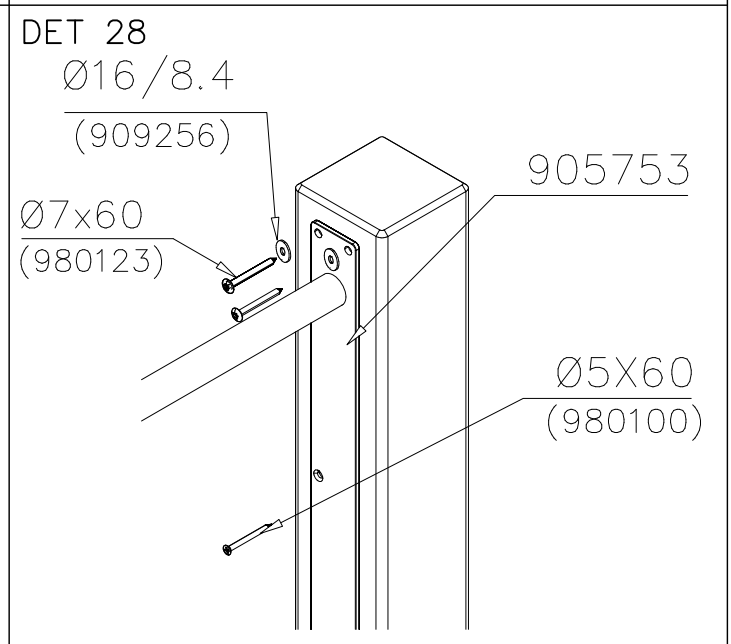
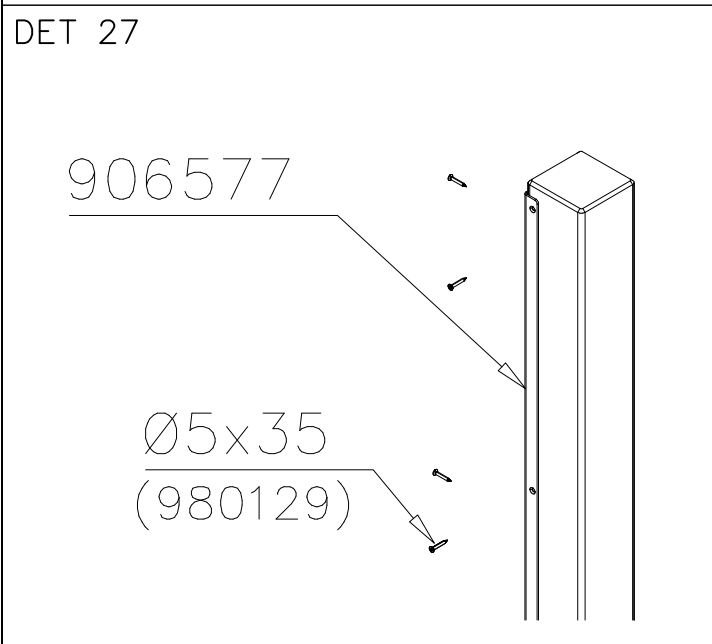
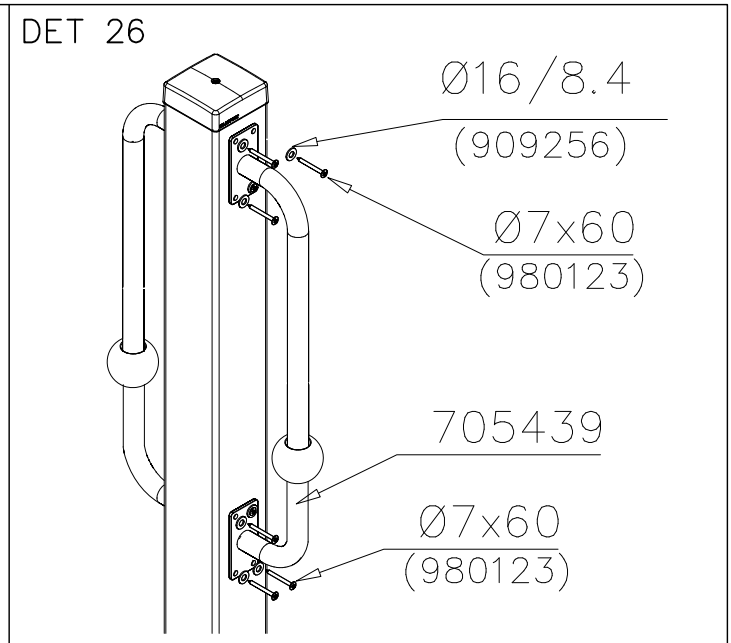
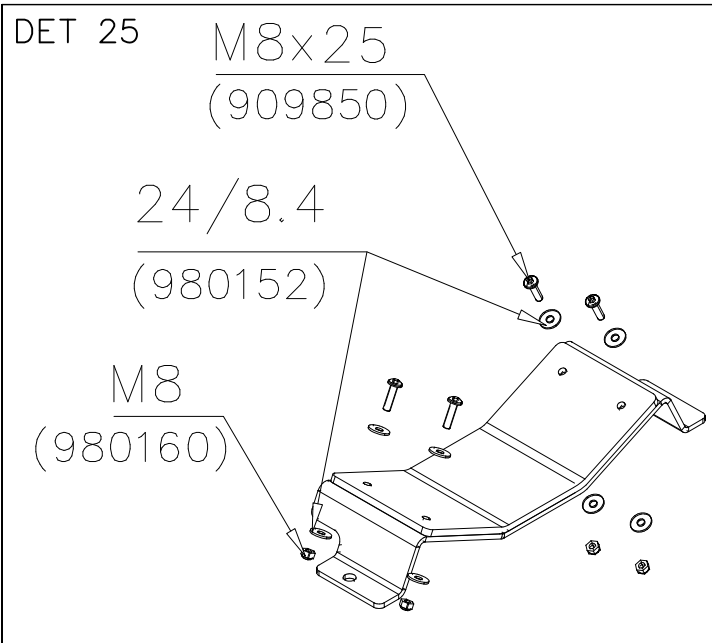




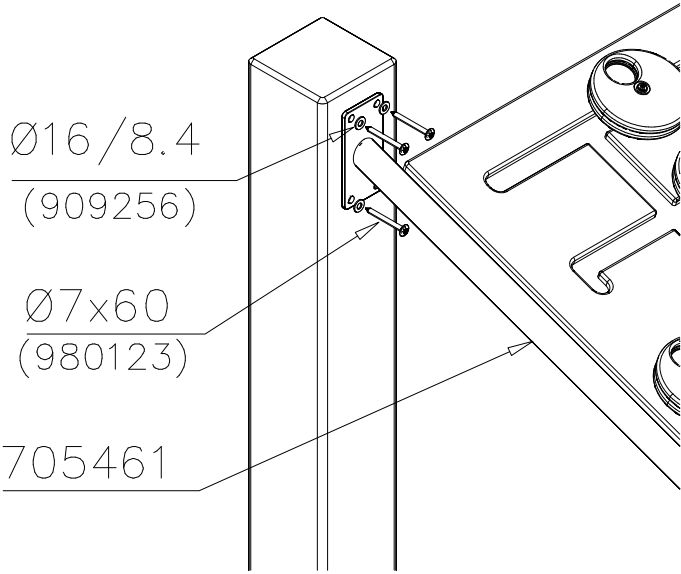




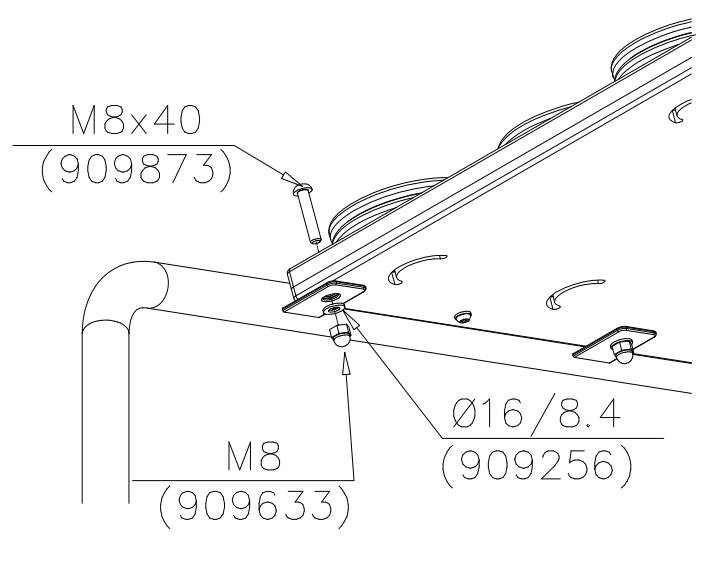




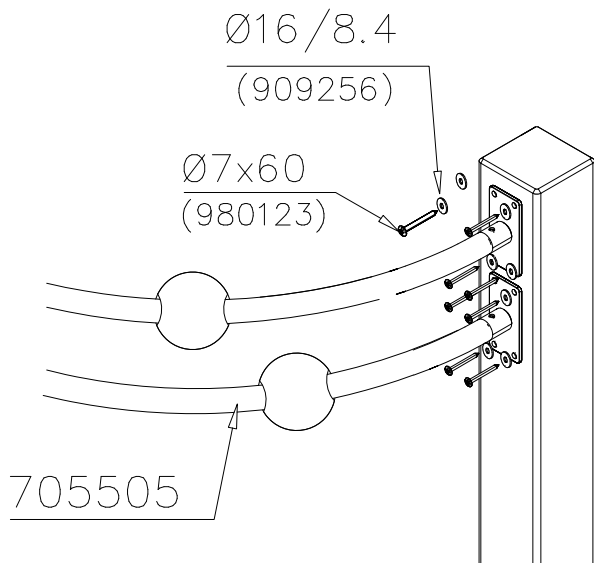
DET 31



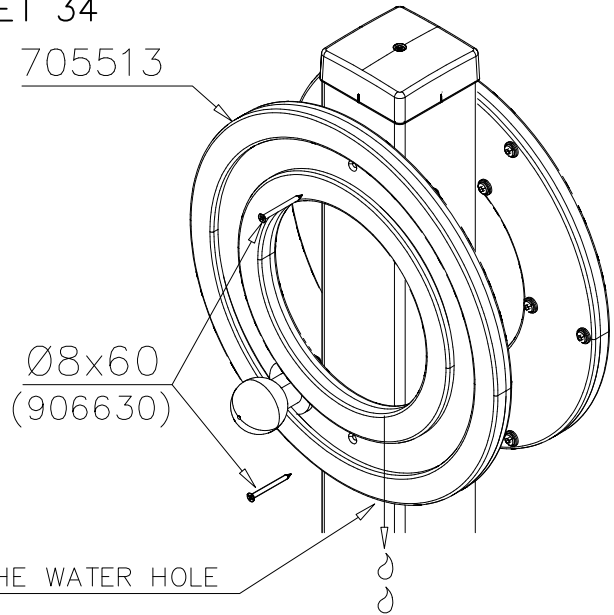
DET 32



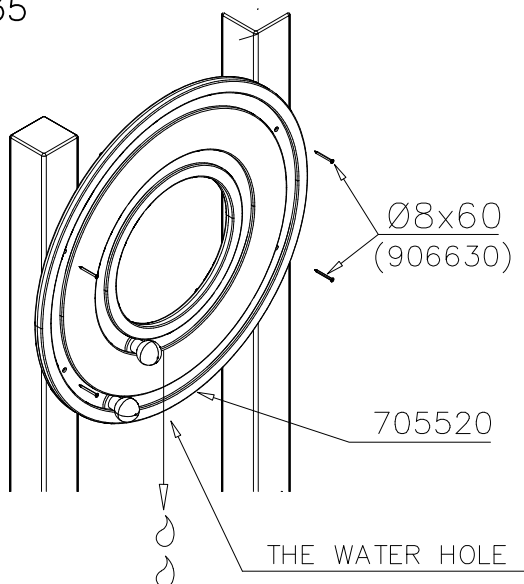
DET 33



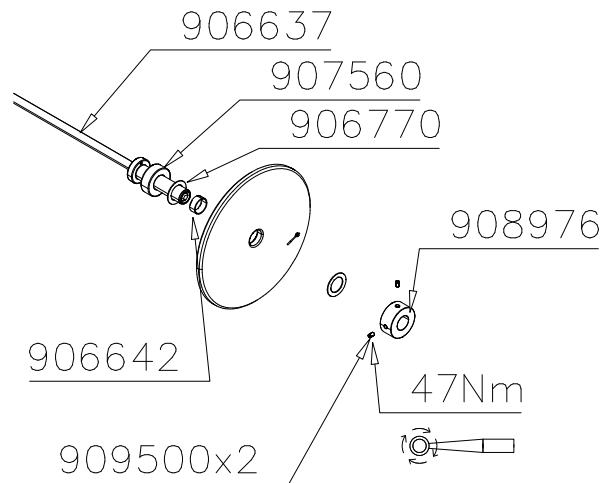
DET 34

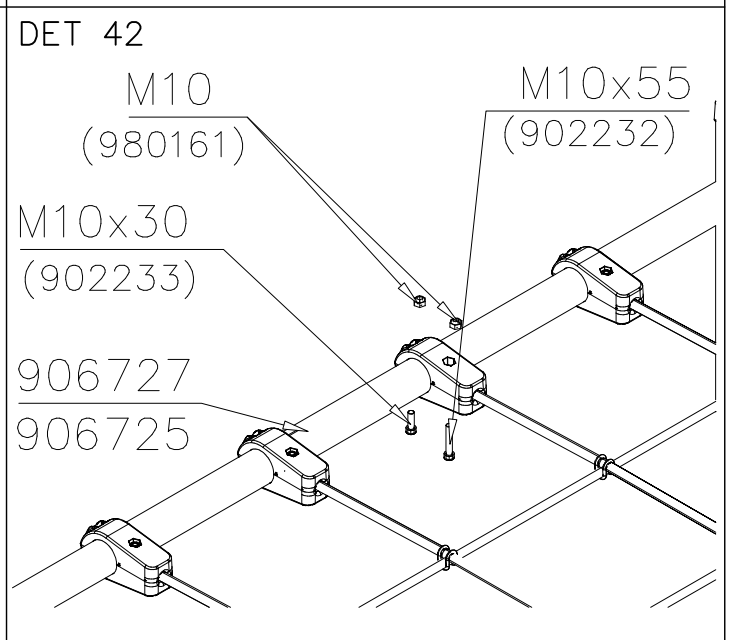
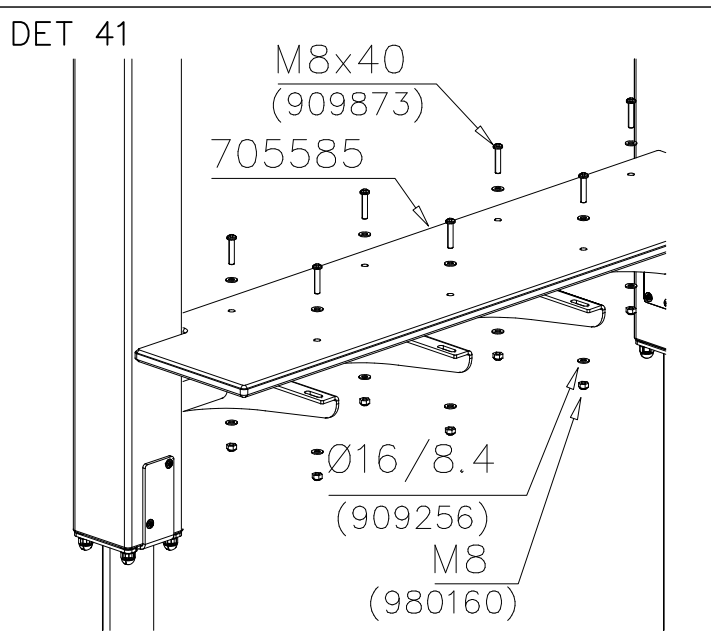
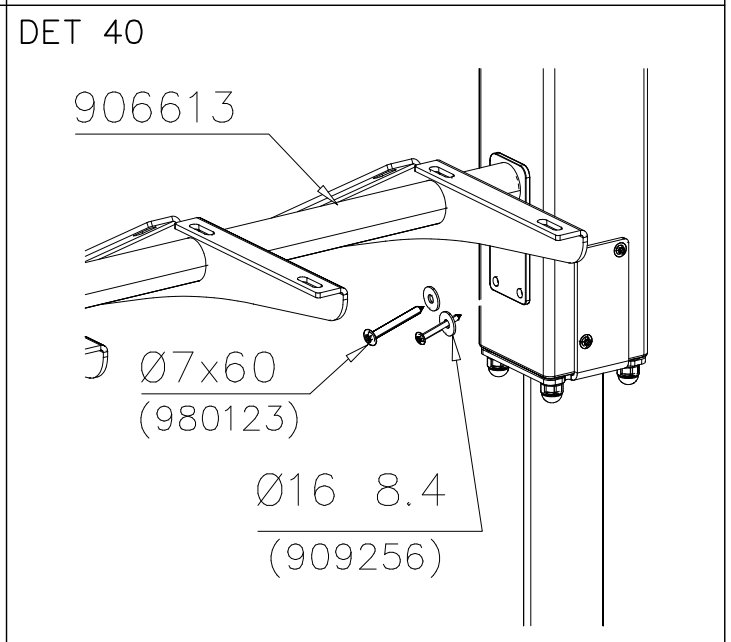
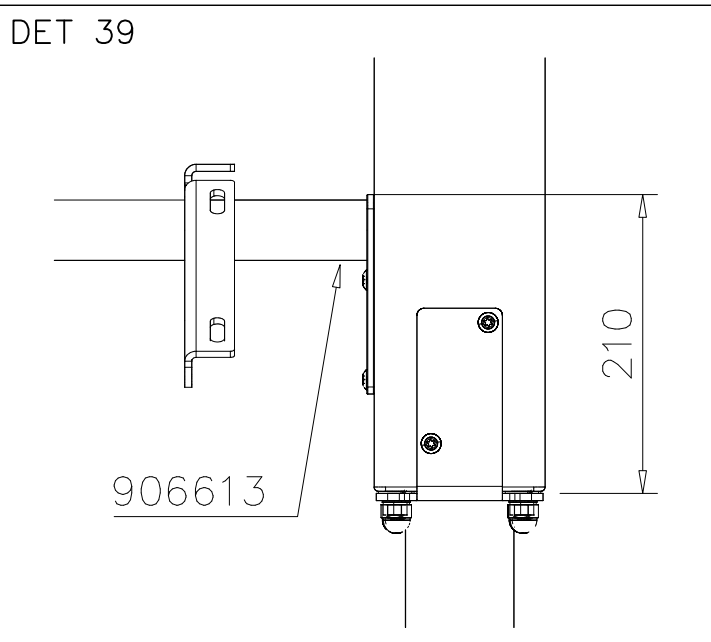
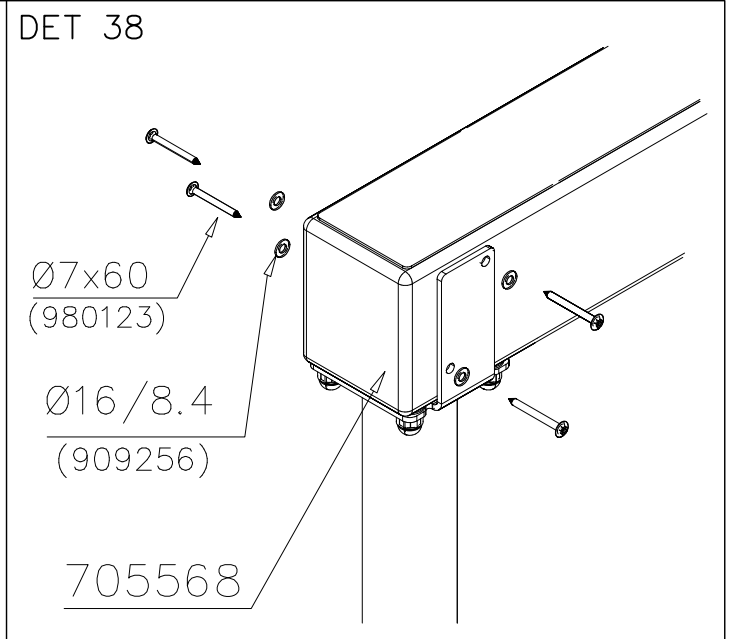
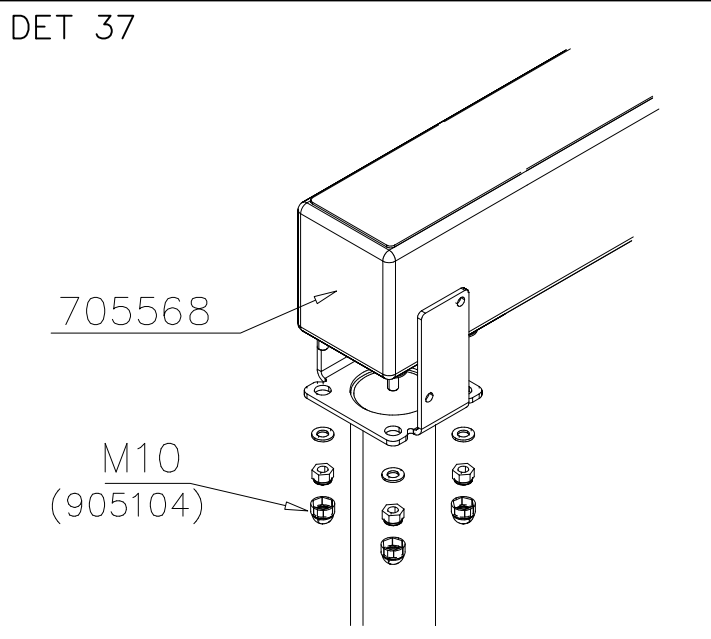


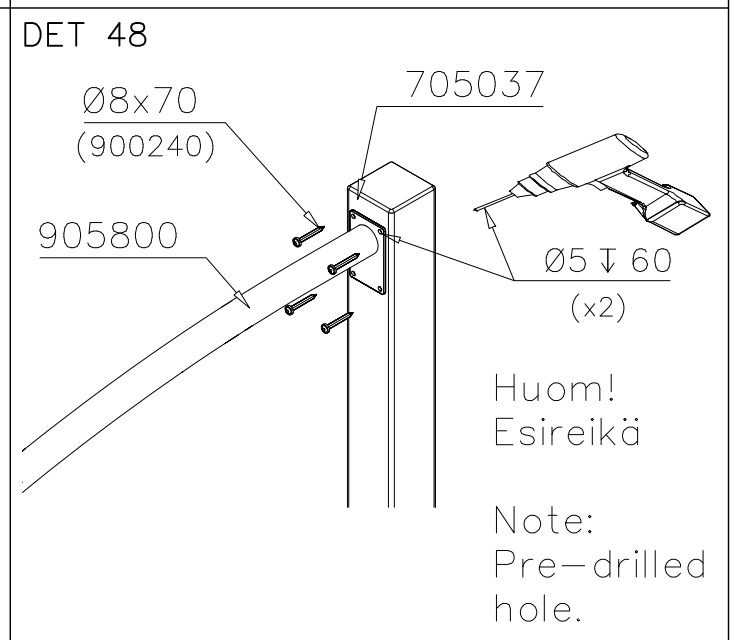
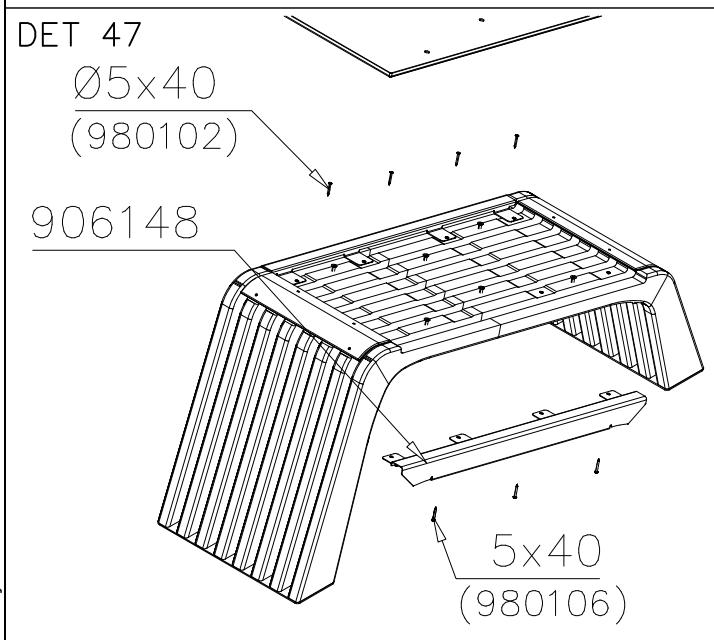
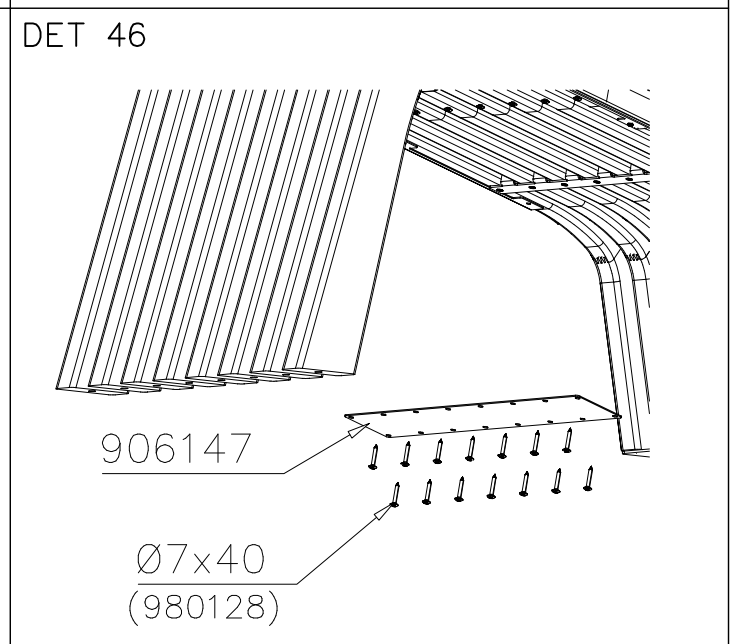
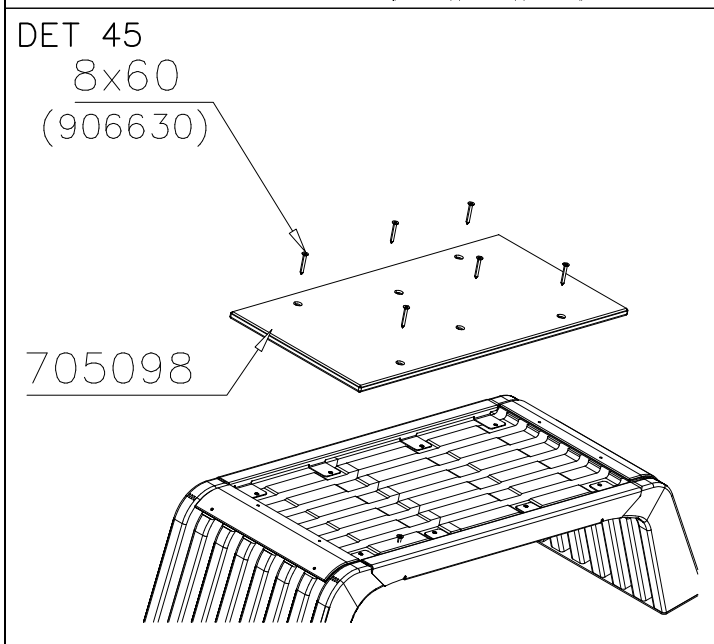
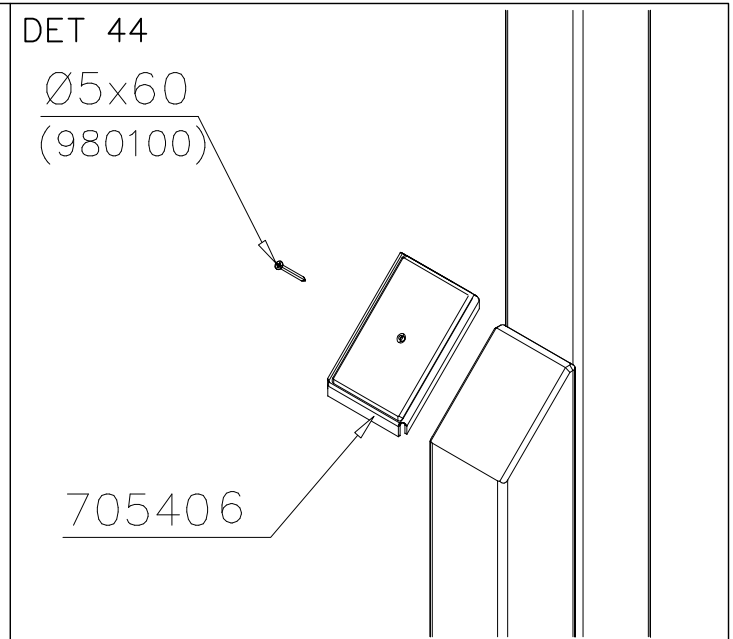
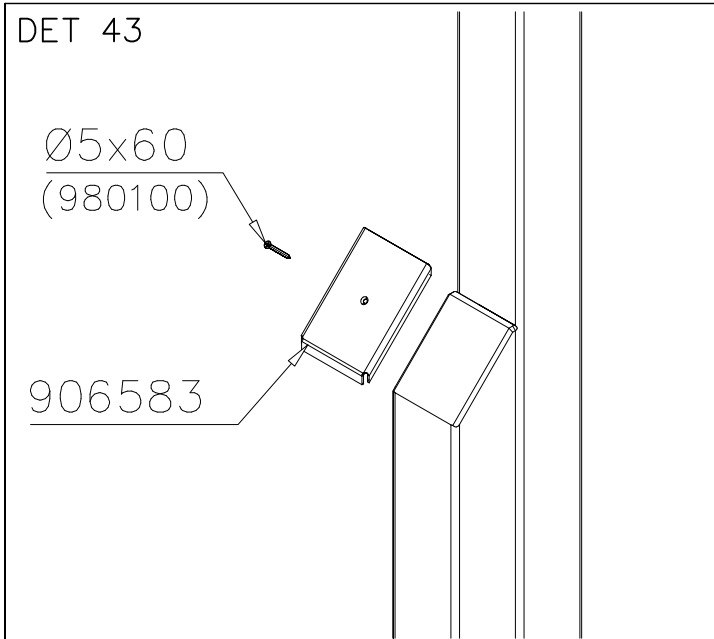
DET 35

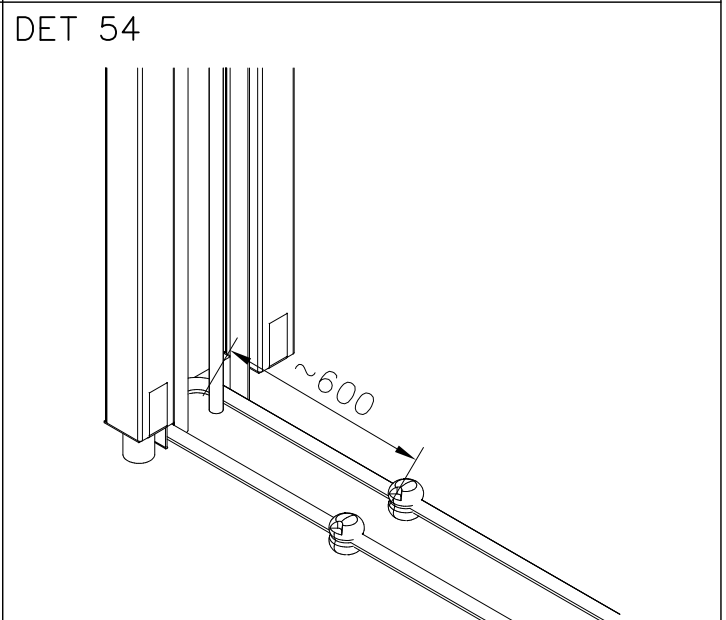
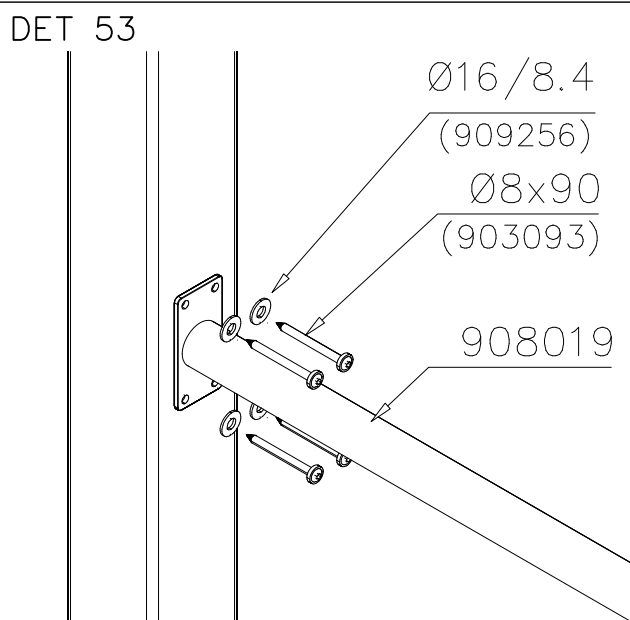
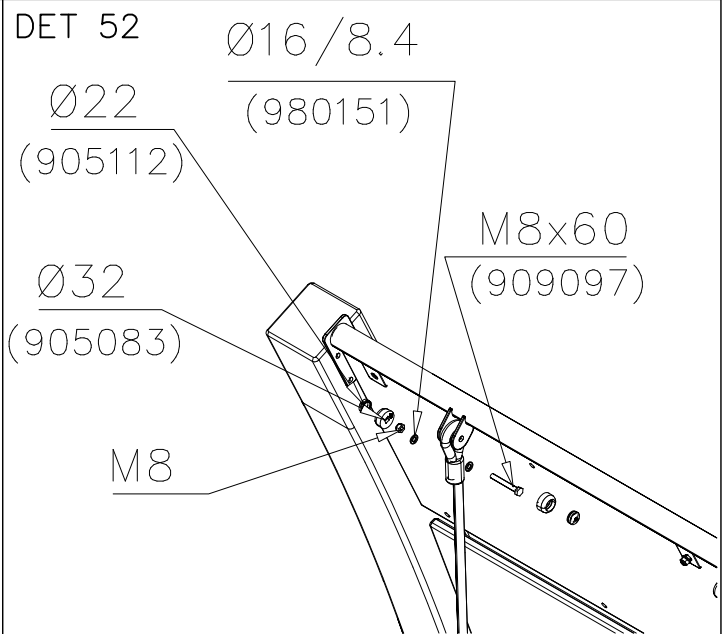
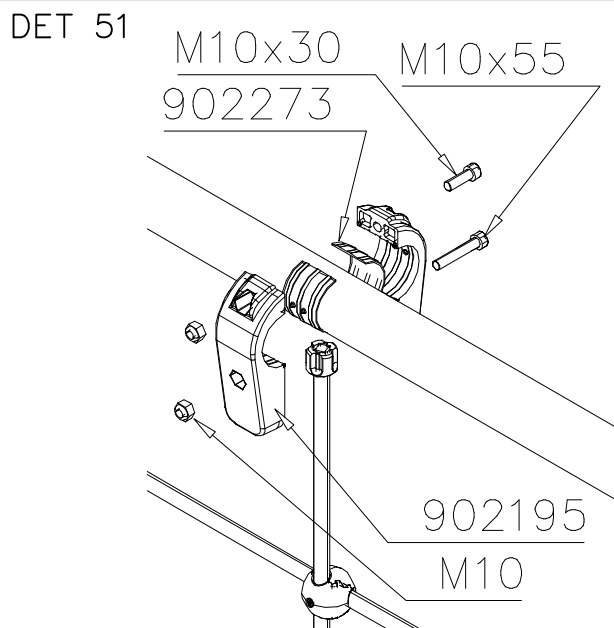
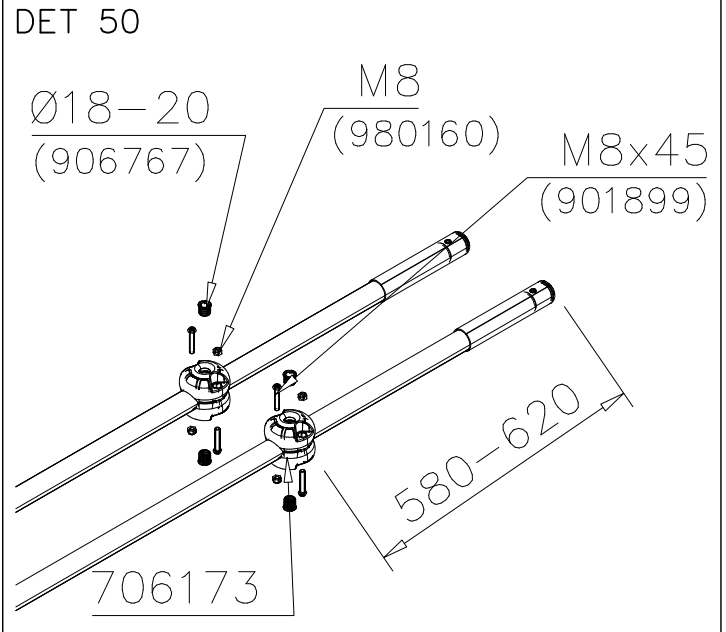
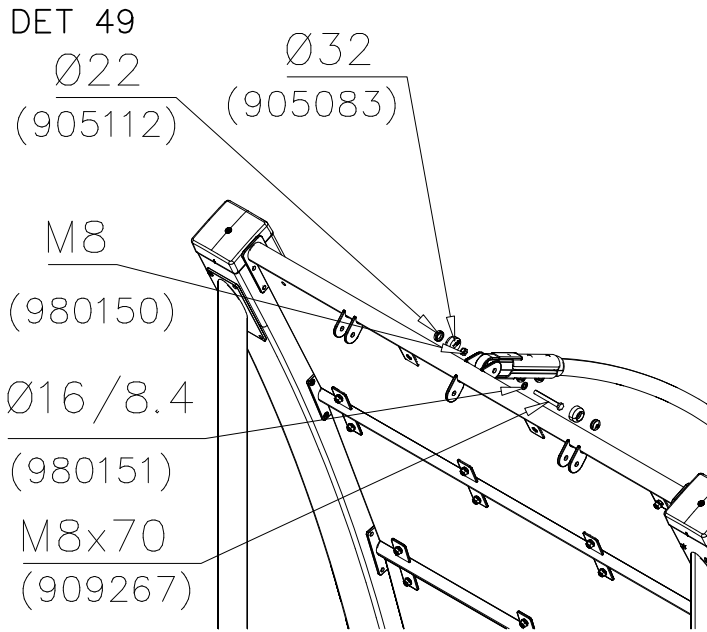


DET 36

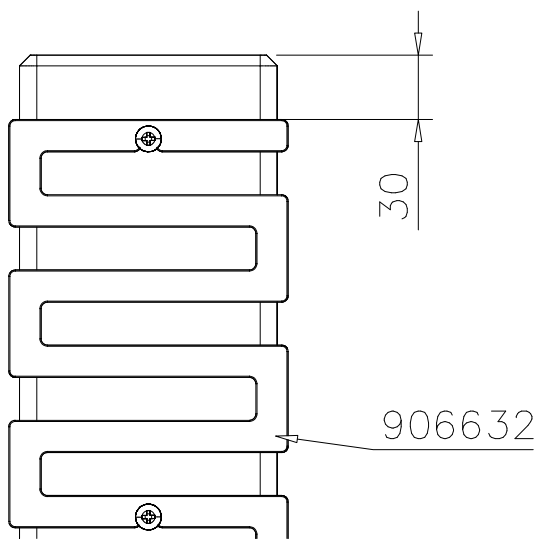




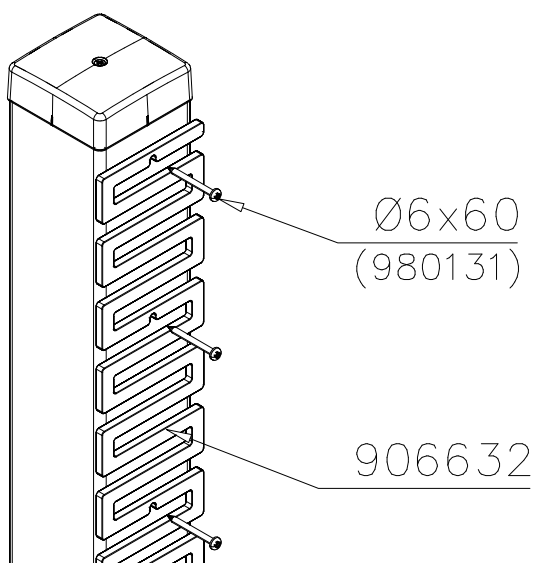




DET 55



DET 56



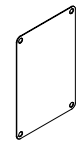

DET 57

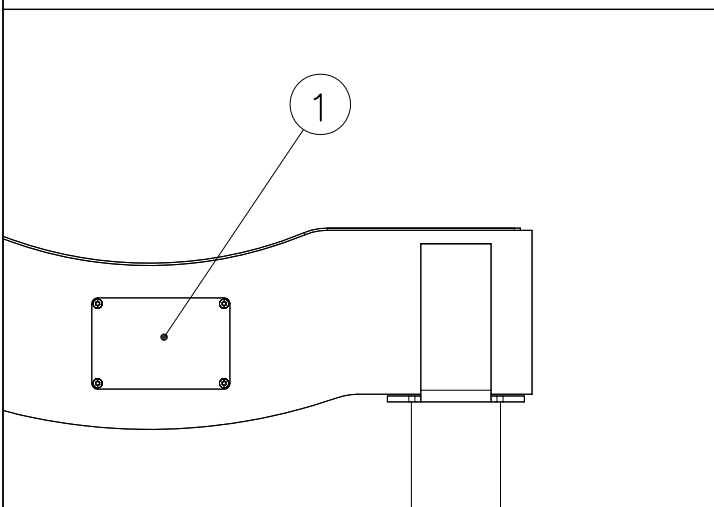
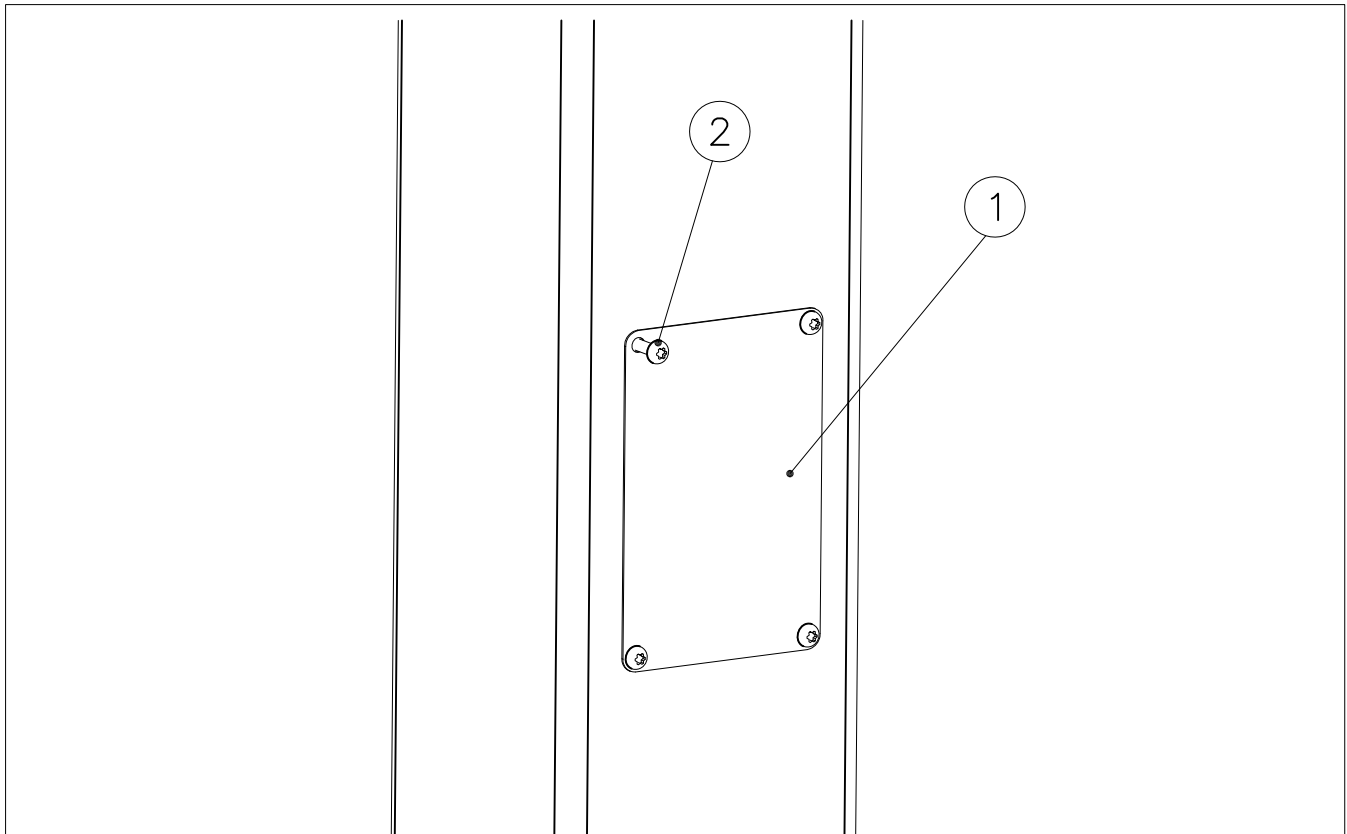
DET 58

DET 59

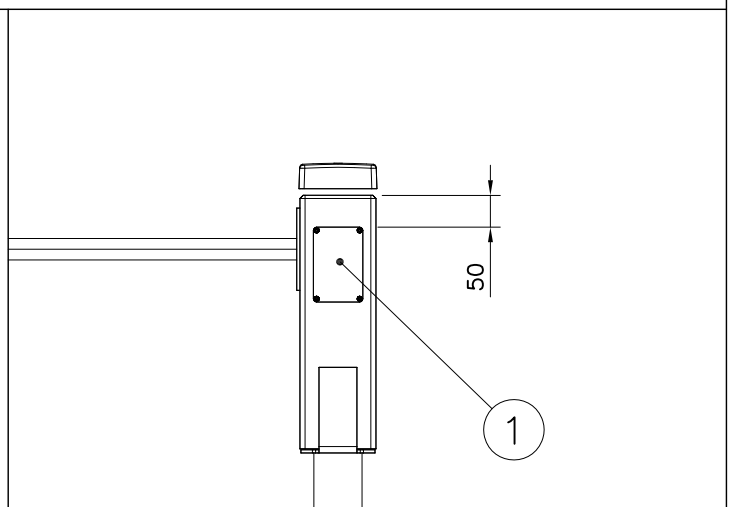
DET 60



① SHEET METAL	PCS	② 980114	PCS
	1		4
118x78x0.7		Ø4x20	



Example installation !  
Esimerkki asennus !



Example installation !  
Esimerkki asennus !

