

WINAM GROUP

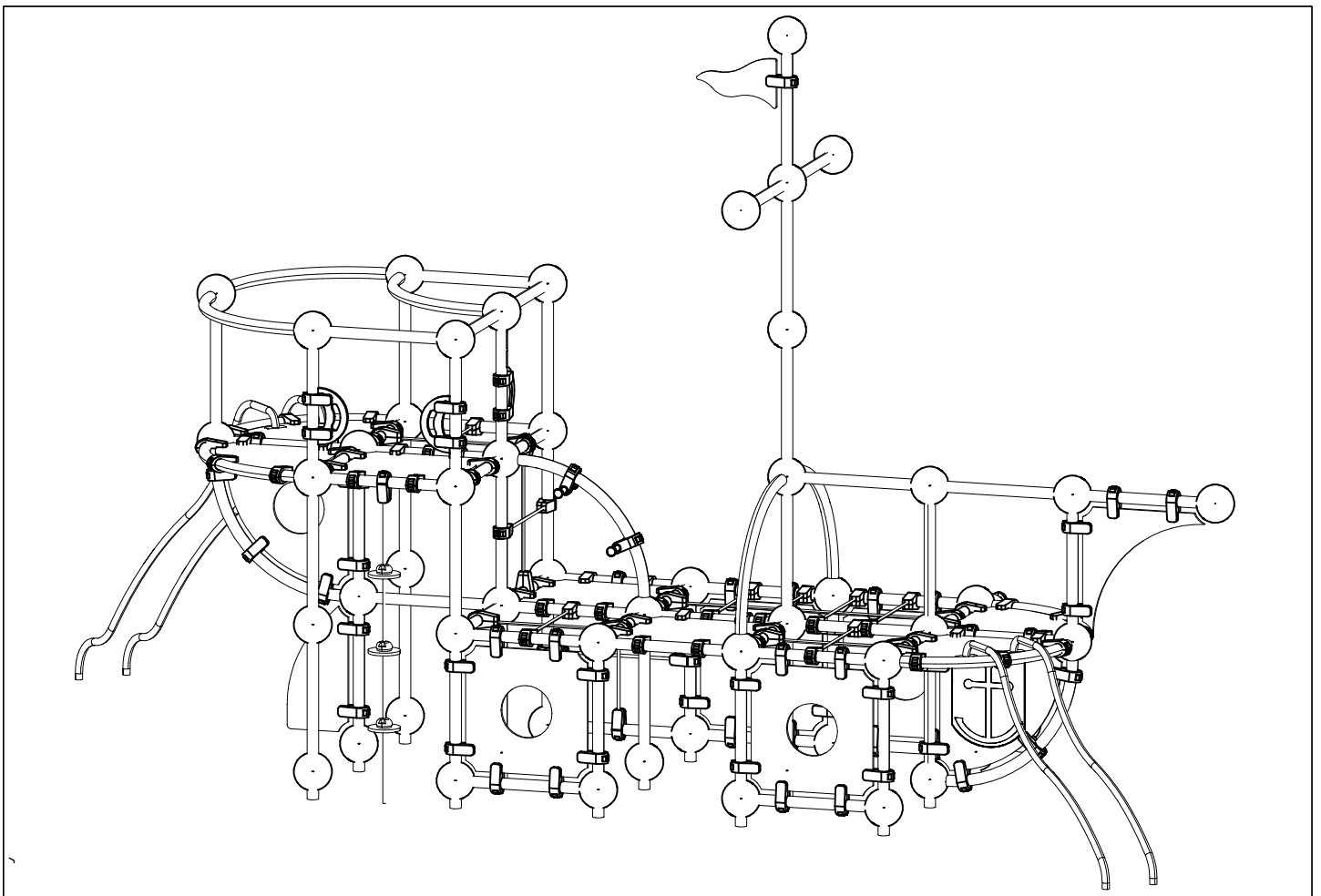
CLOXX



ASENNUSOHJE
MONTERINGSANSVISNING
INSTALLATION INSTRUCTION
AUFBAUANLEITUNG
NOTICE D'INSTALLATION

DATE: 12.1.2018

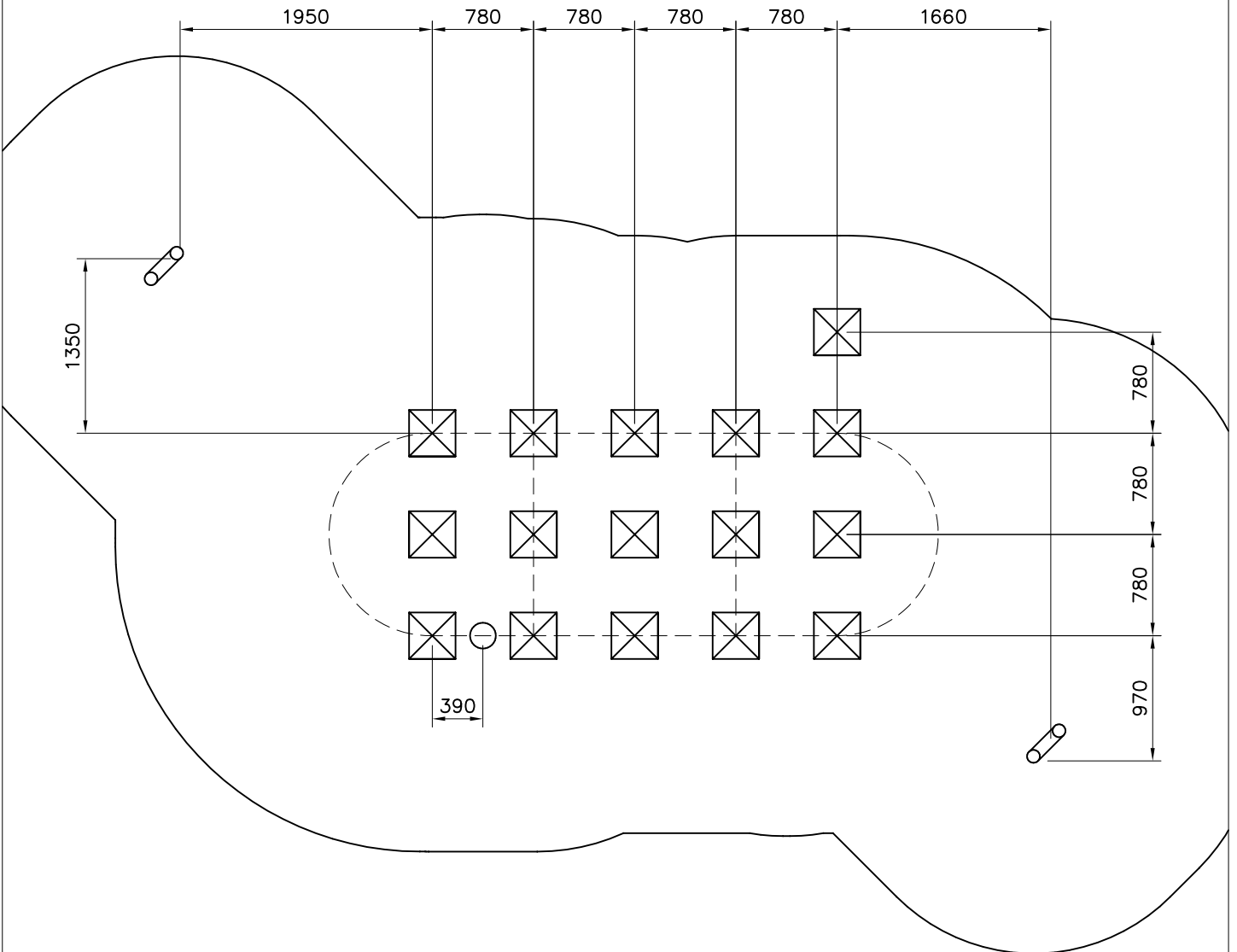
220350

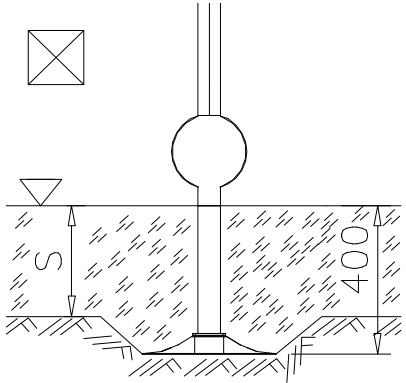
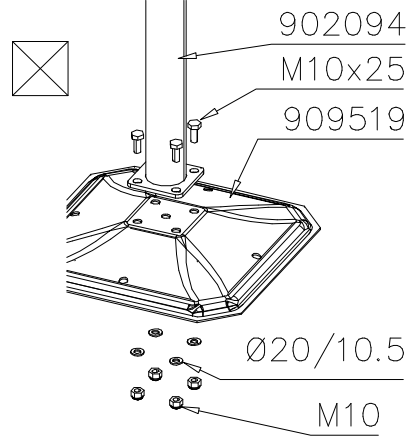
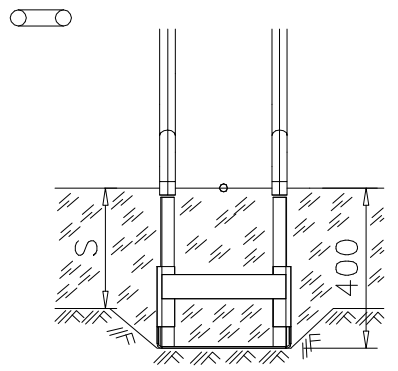
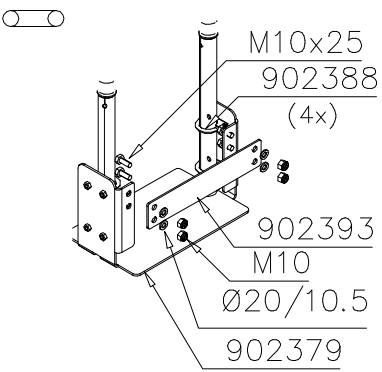
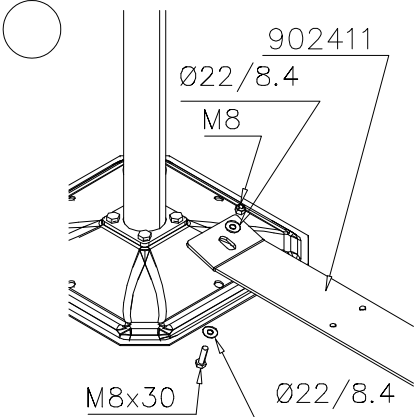
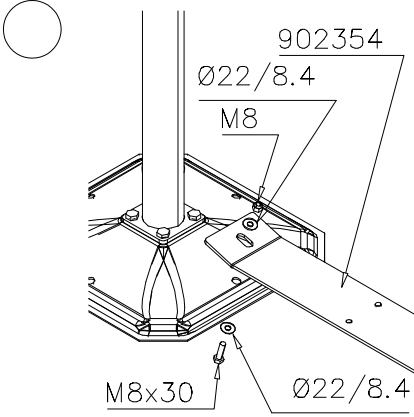
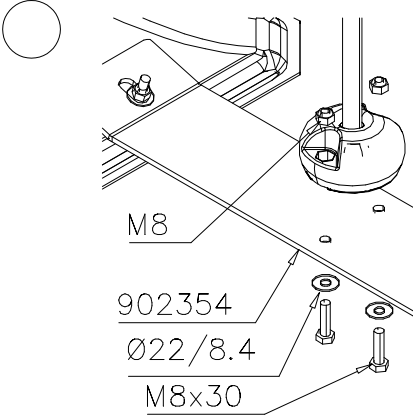


EN/AS Impact Area 45.6 m²

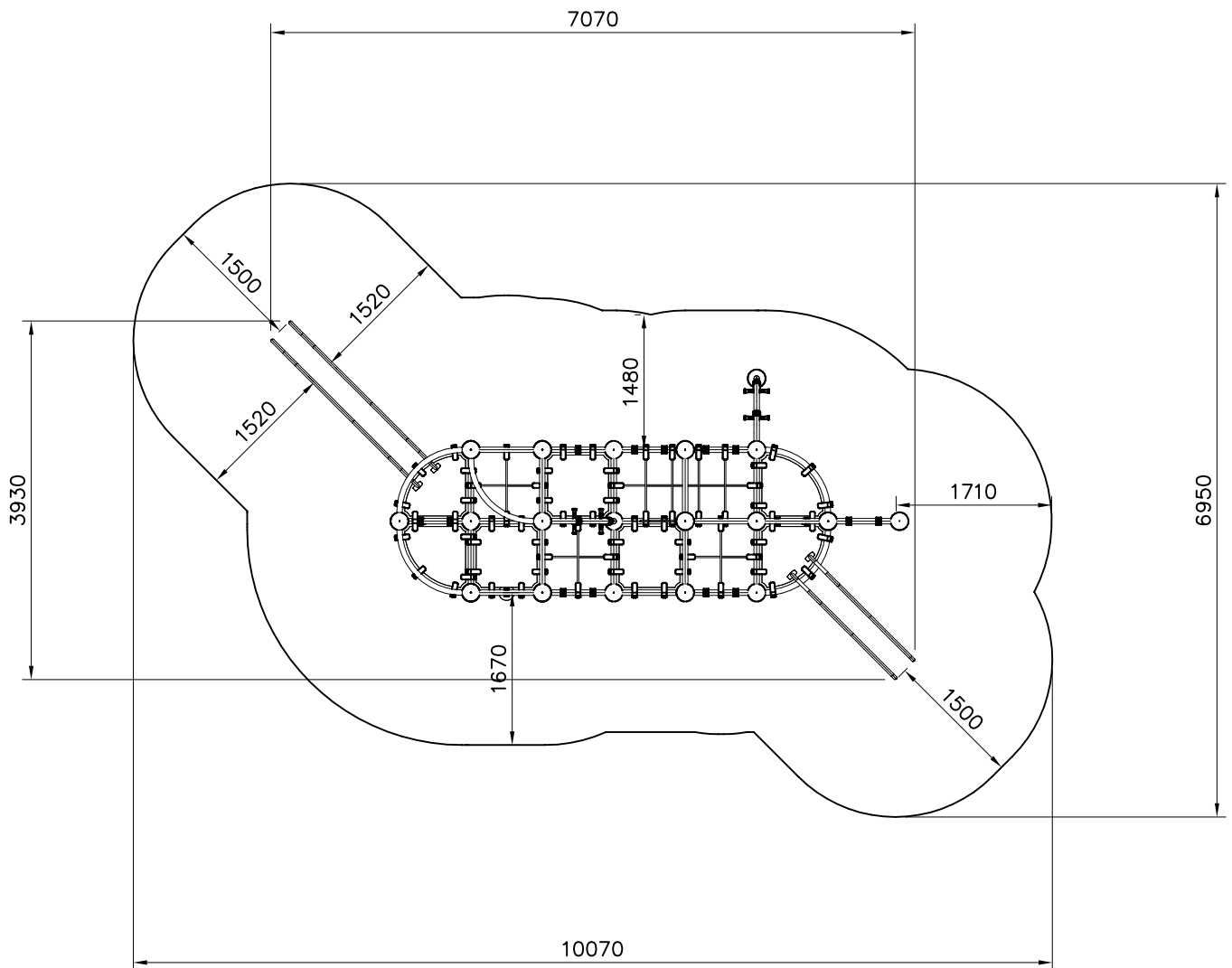
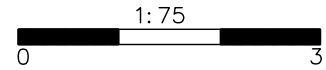
1:50

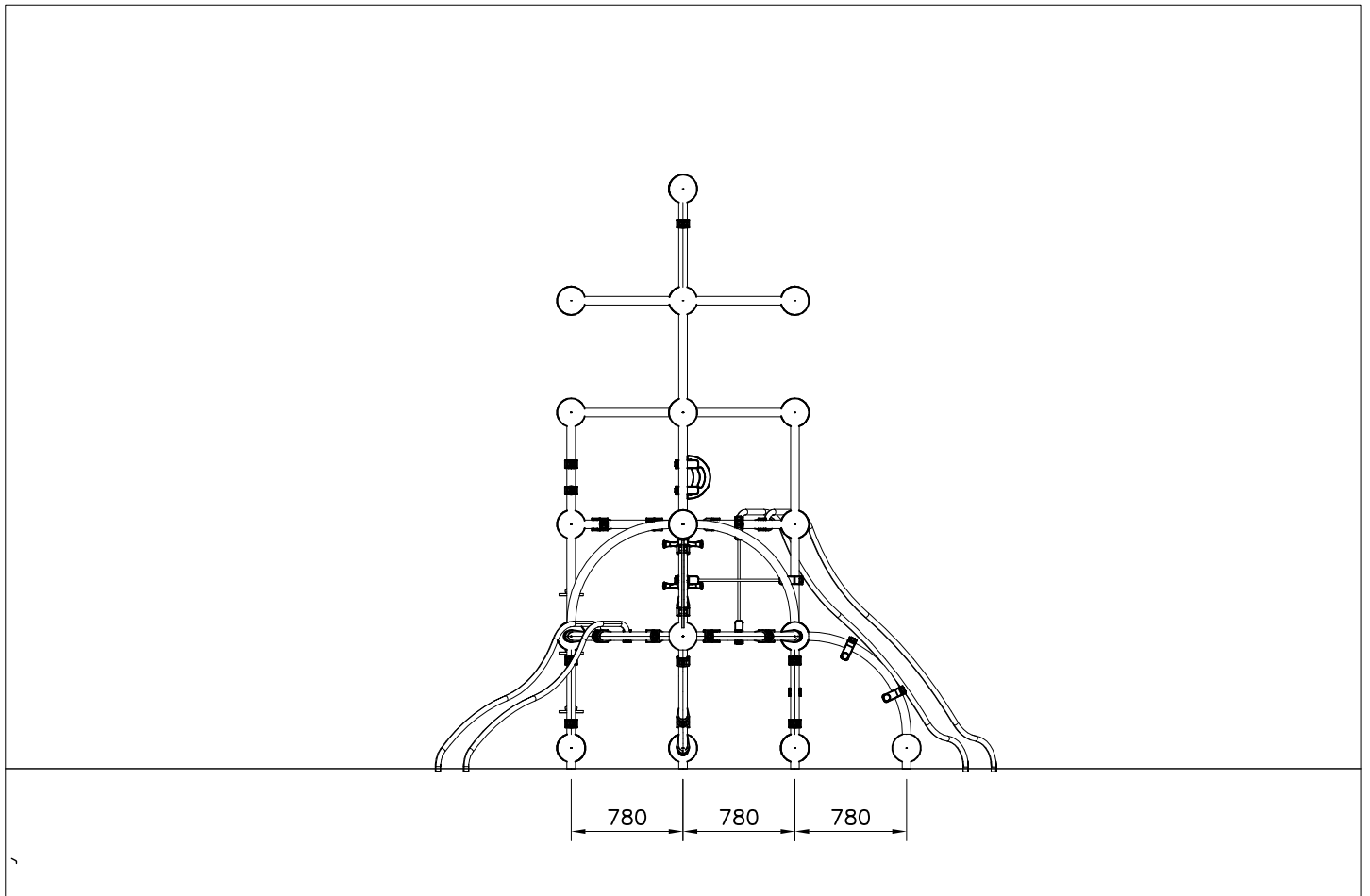
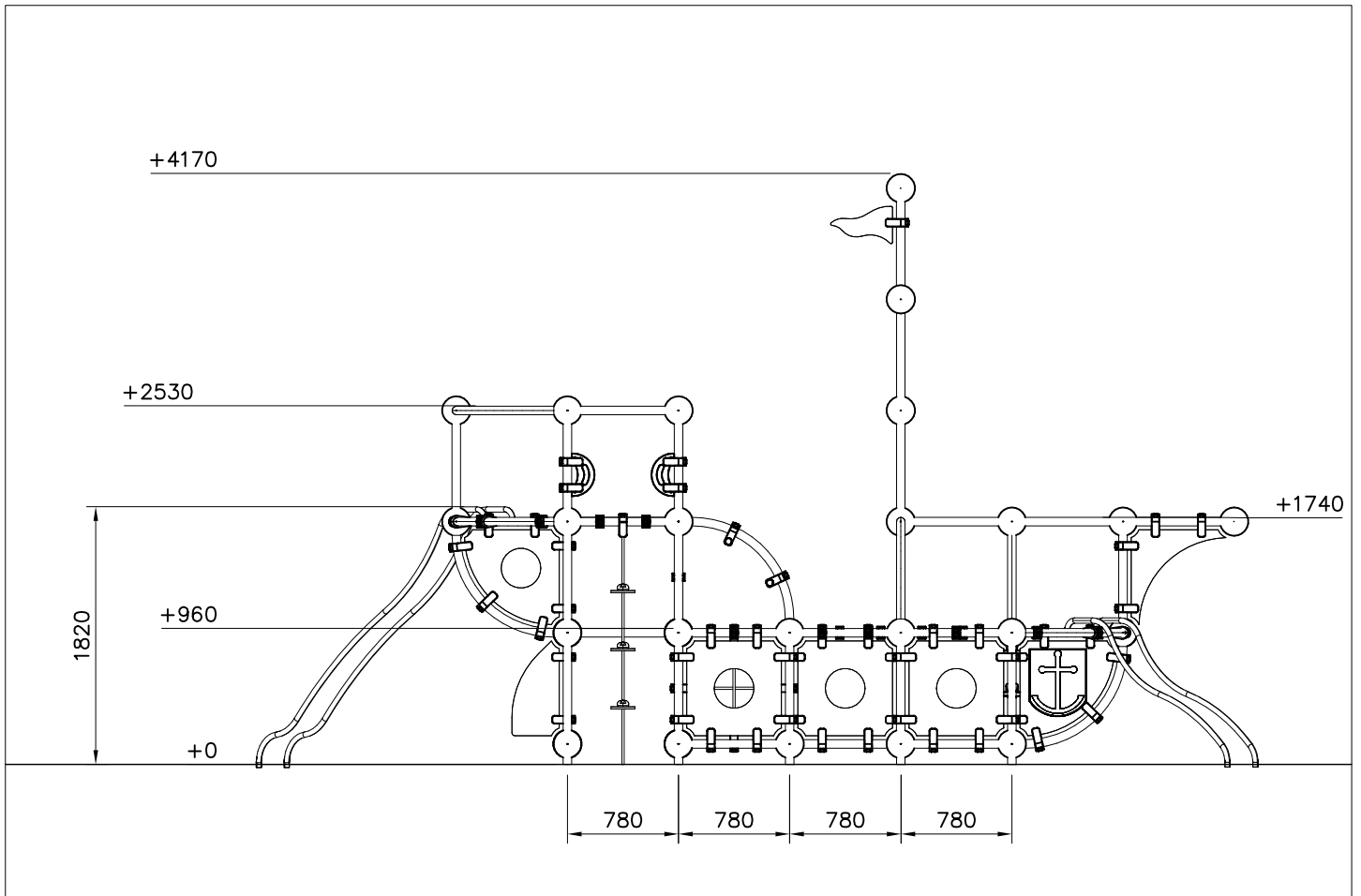
0 2

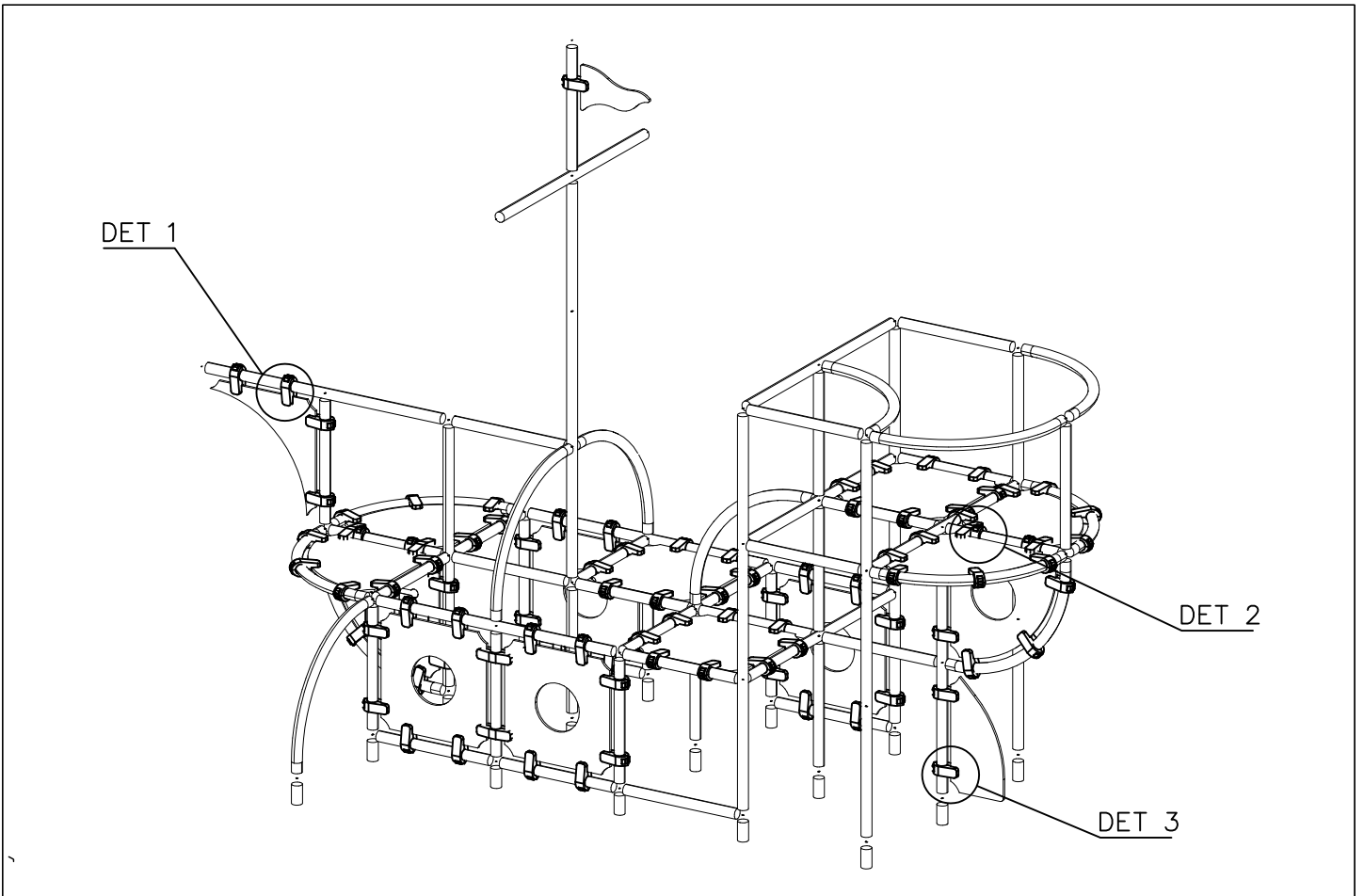
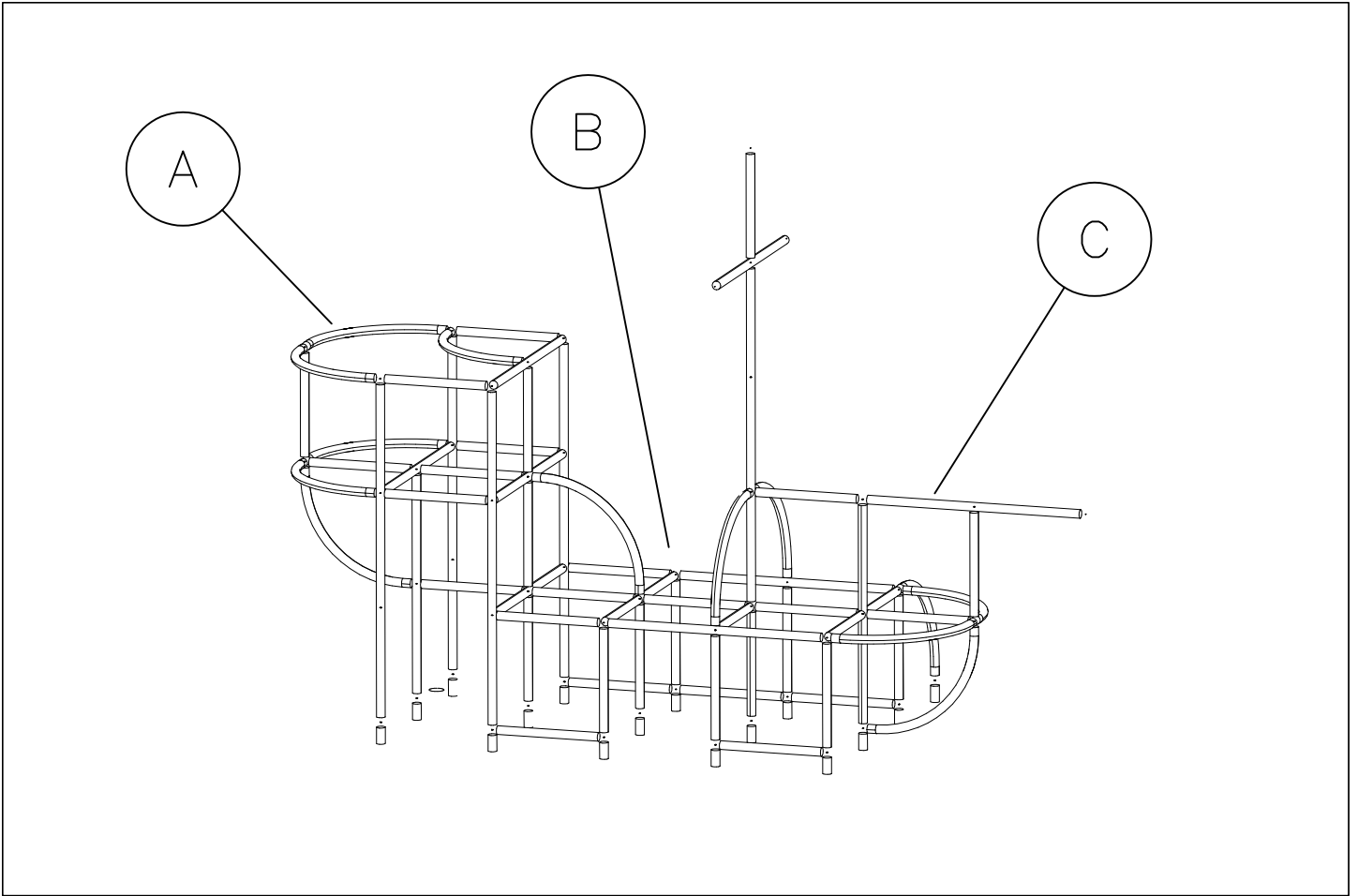


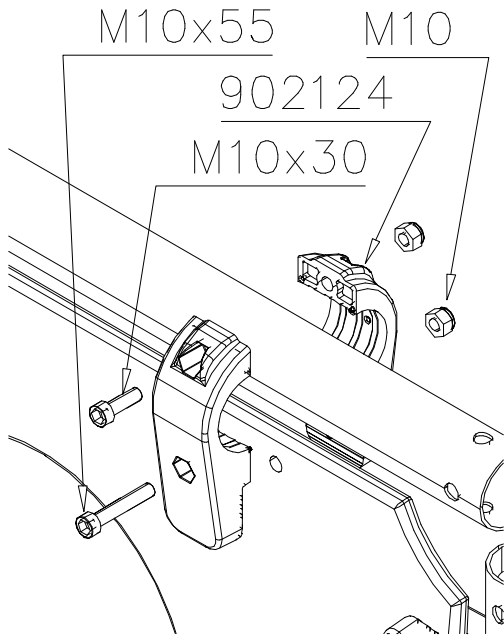
- EN/AS Impact Area 45.6 m²
- - - - Falling Space 45.6 m²
- Max Falling Height 1820 mm



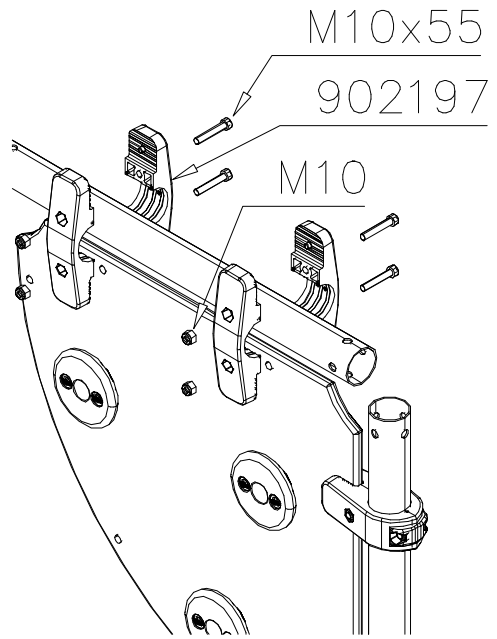




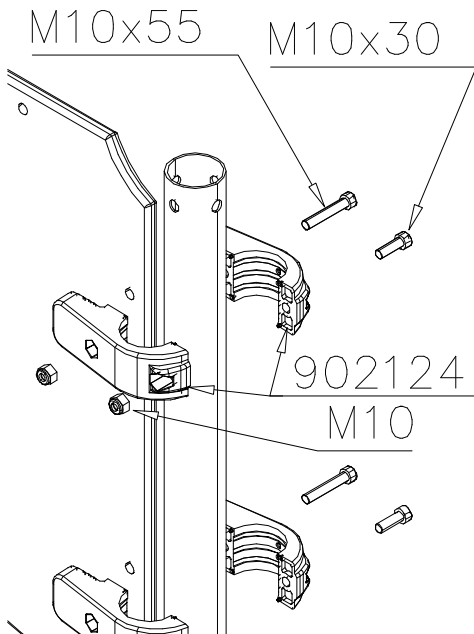
DET 1

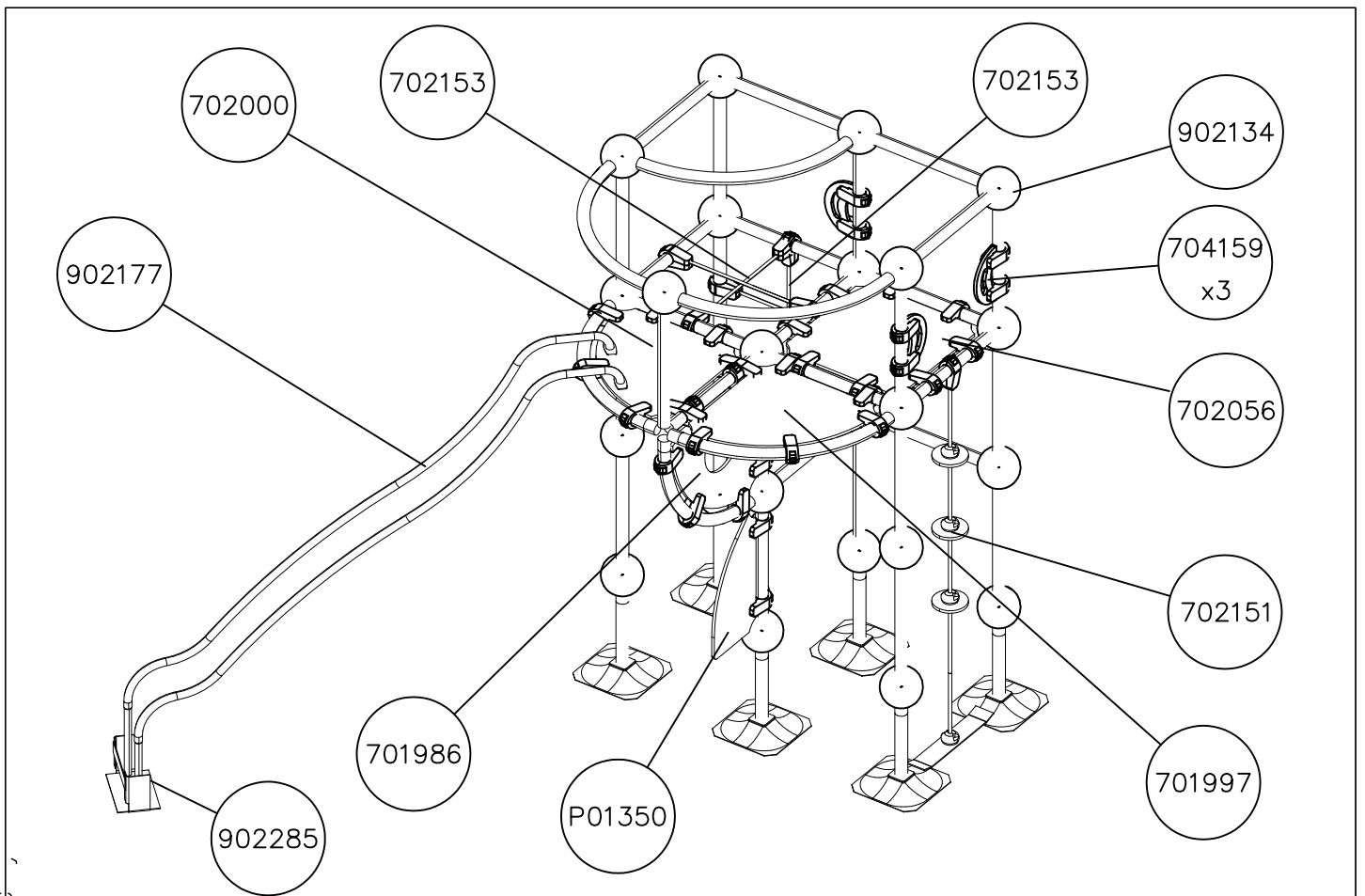
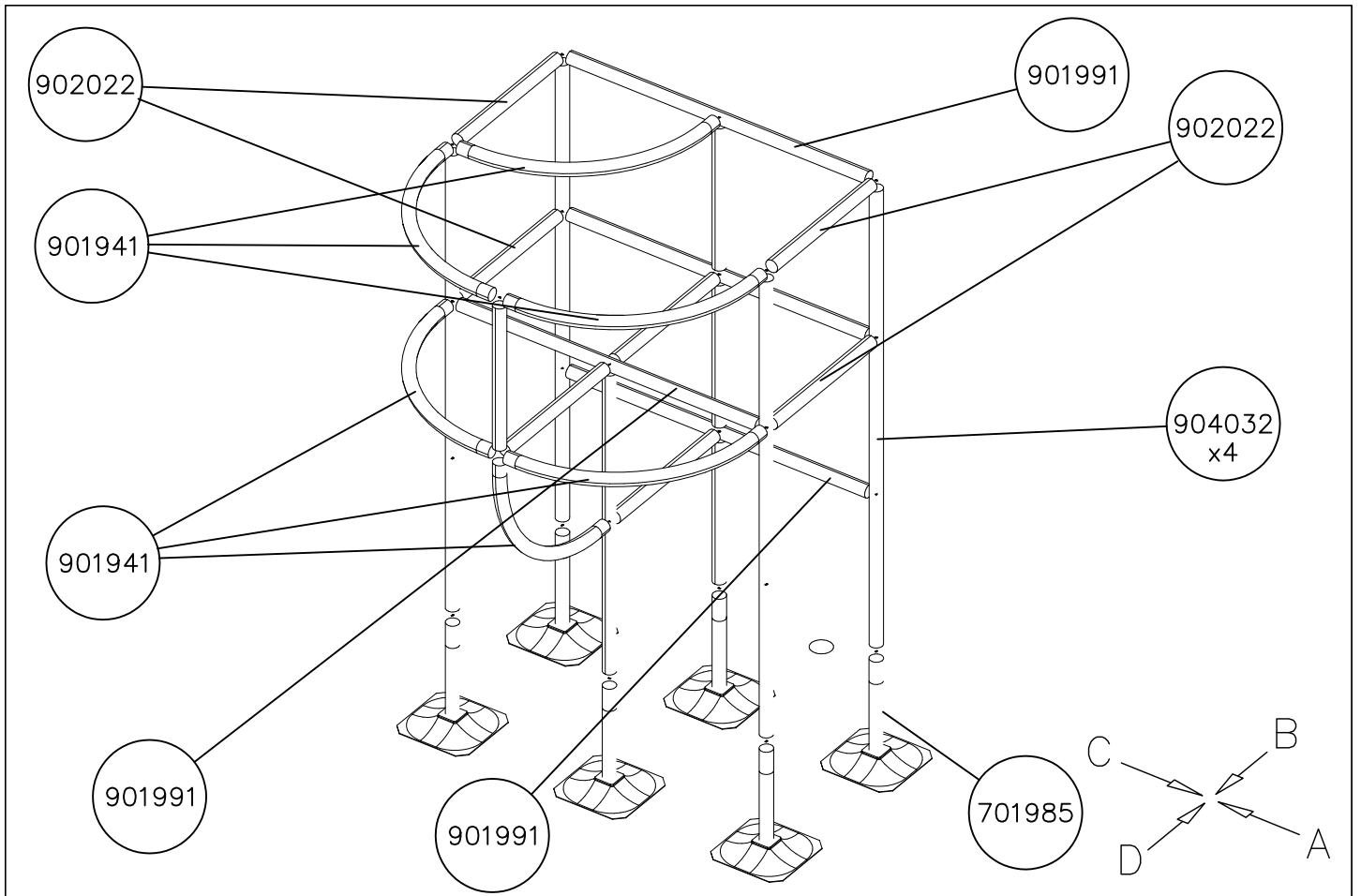


DET 2



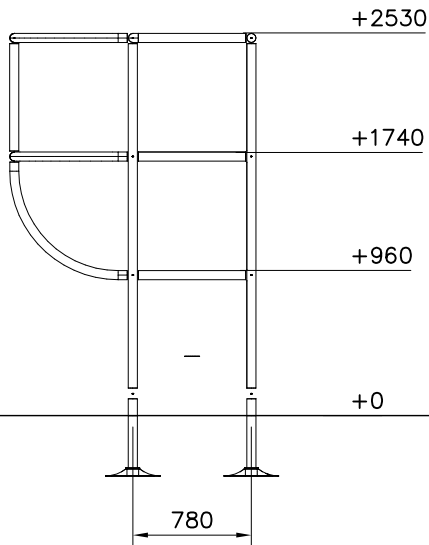
DET 3



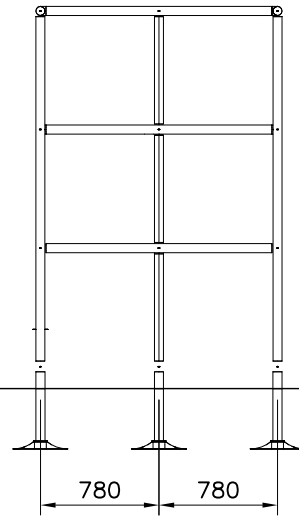


(A)

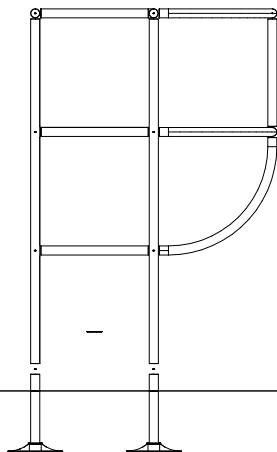
1:50



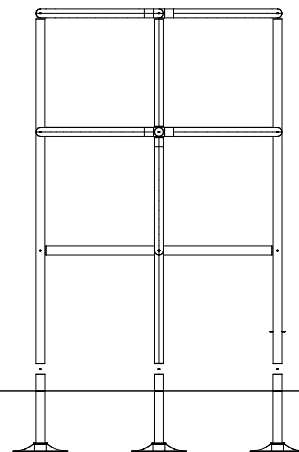
(B)

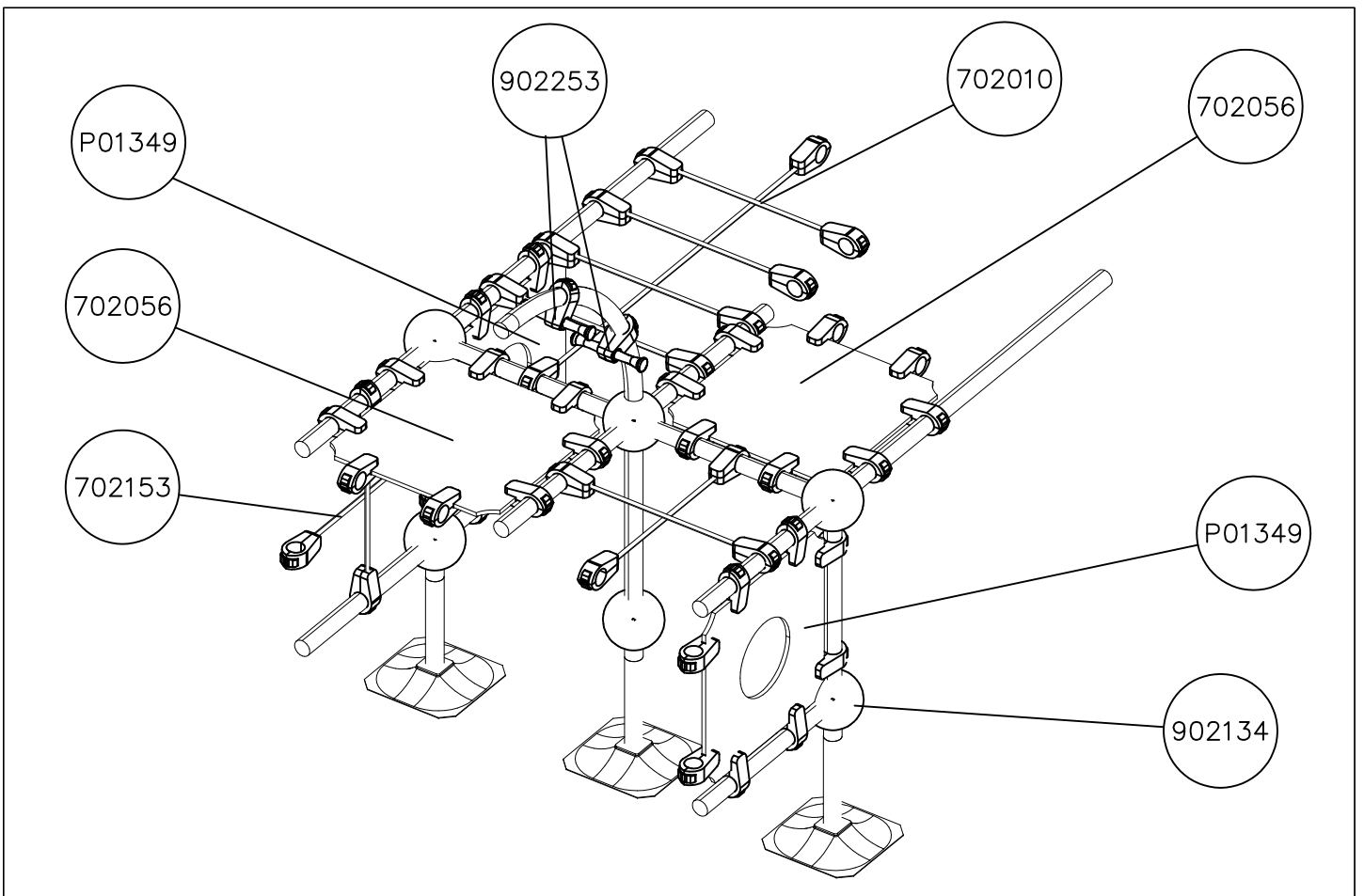
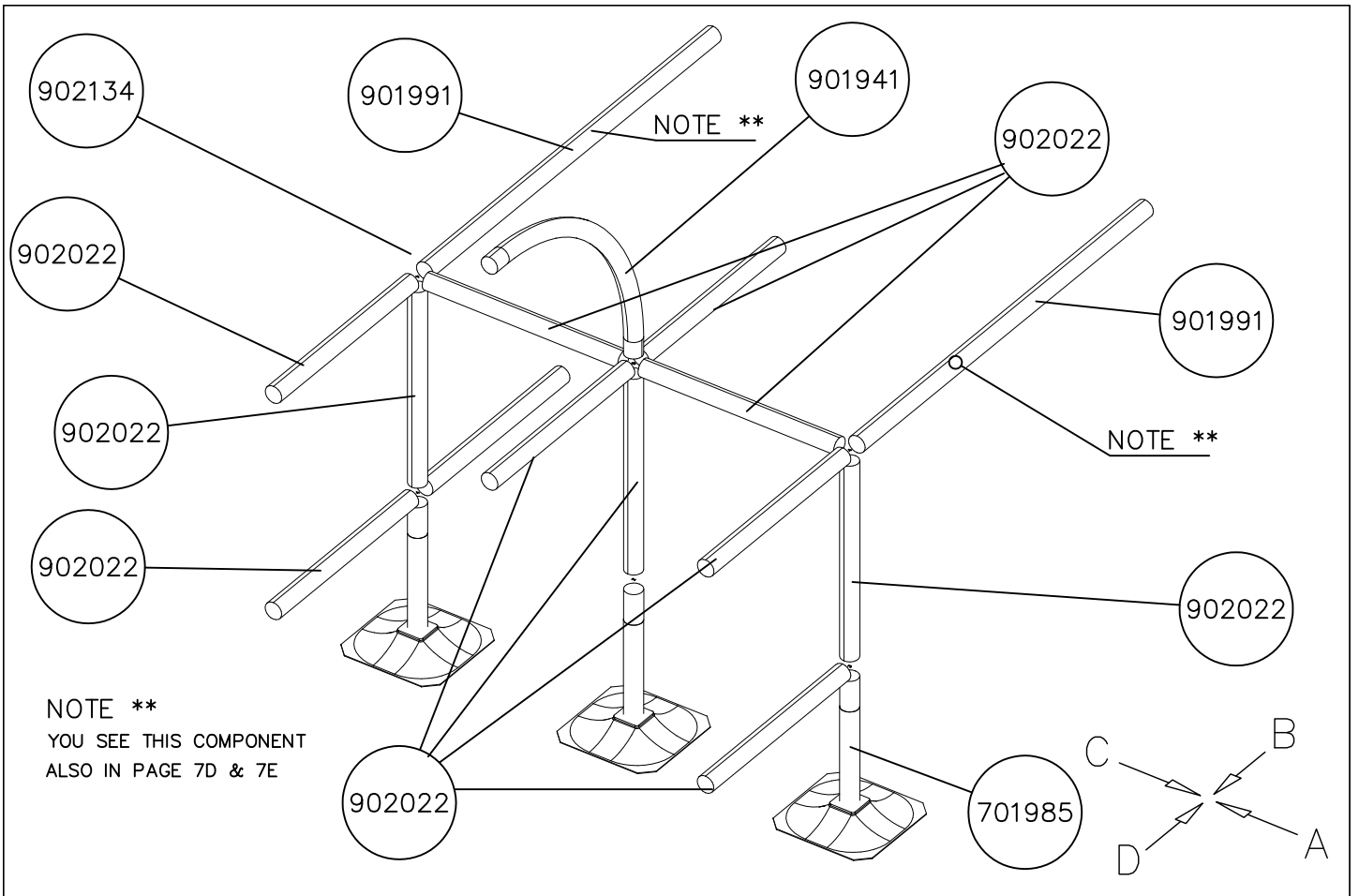


(C)



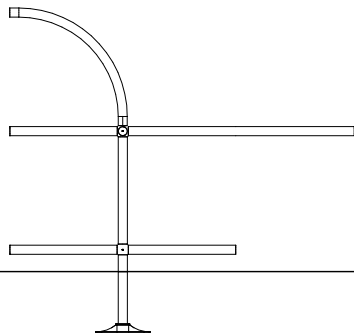
(D)



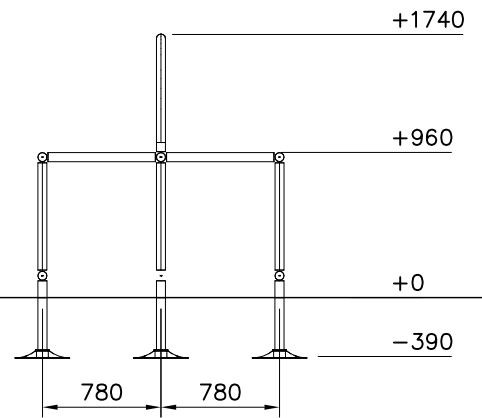


1:50

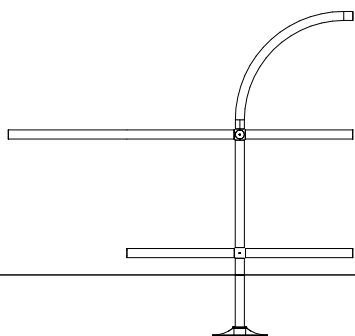
(A)



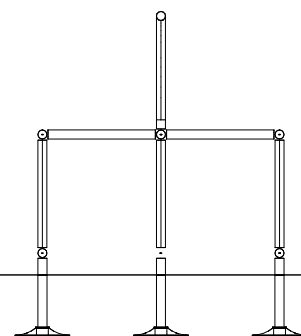
(B)

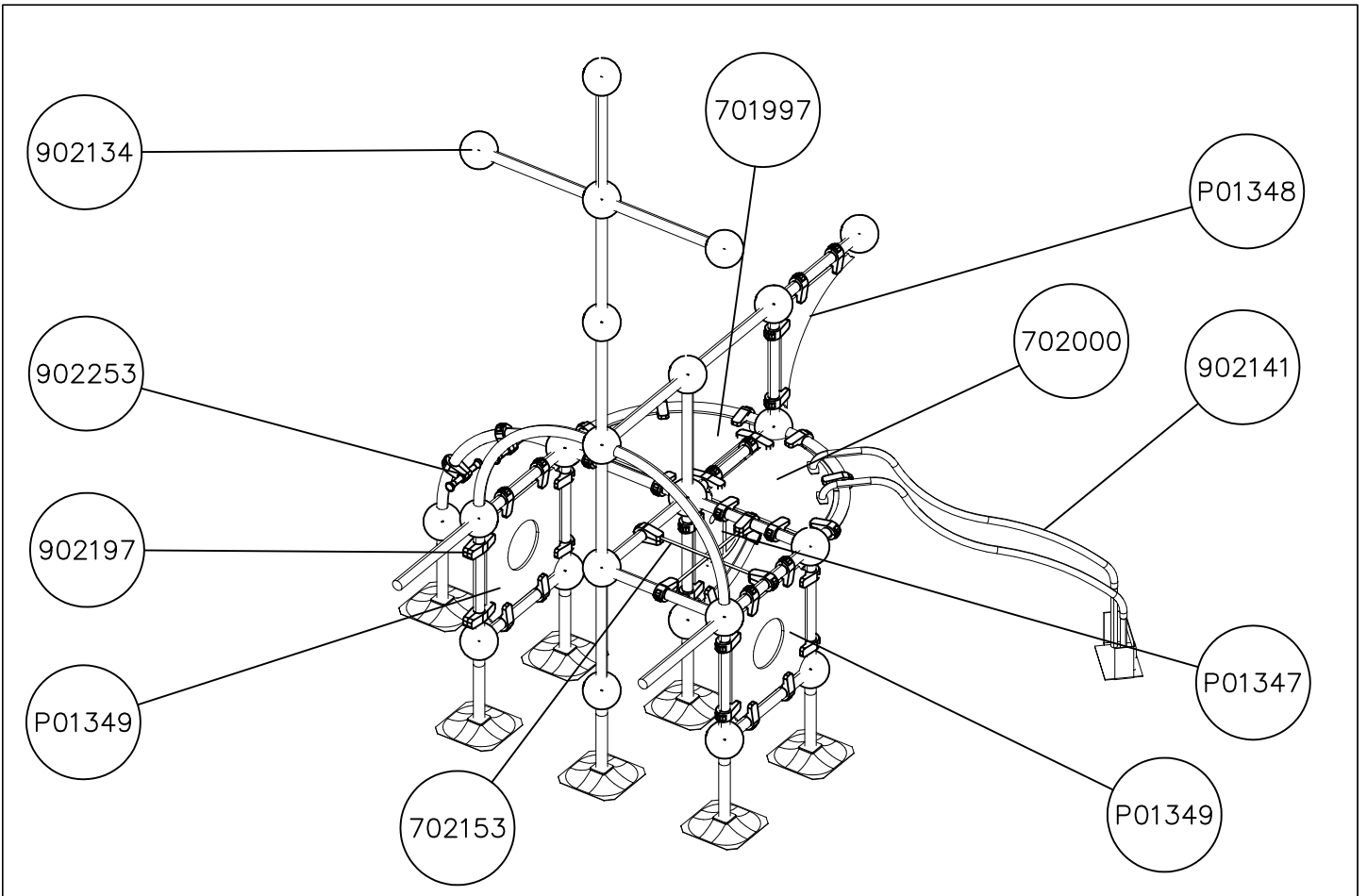
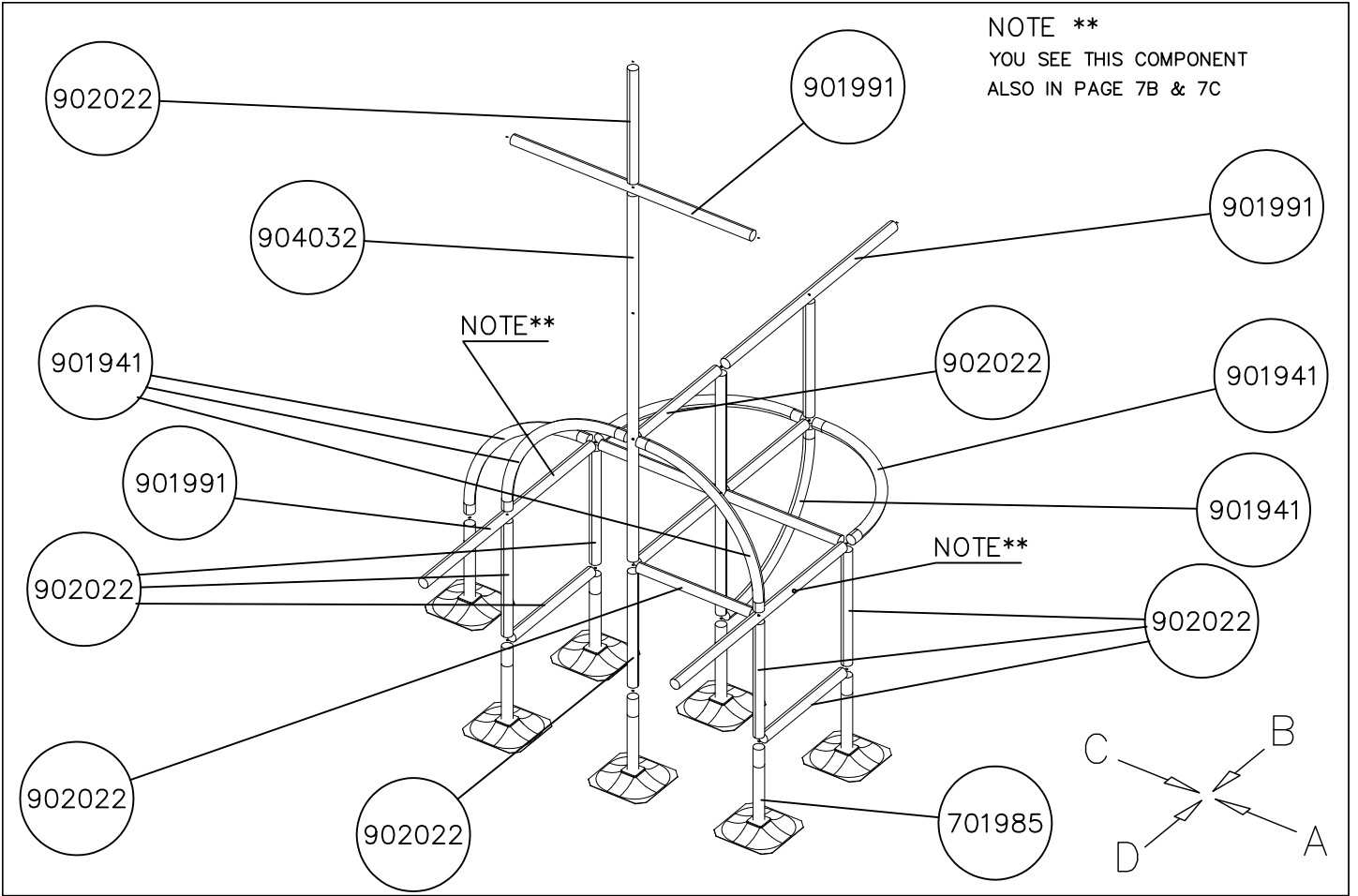


(C)



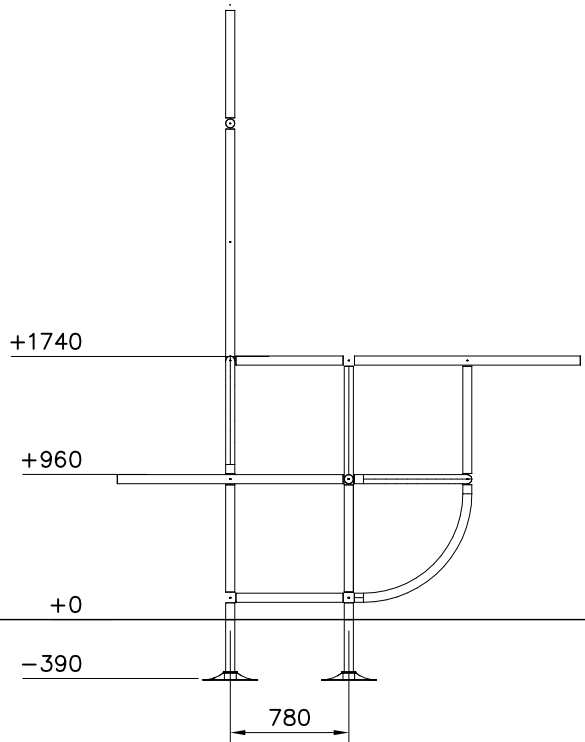
(D)



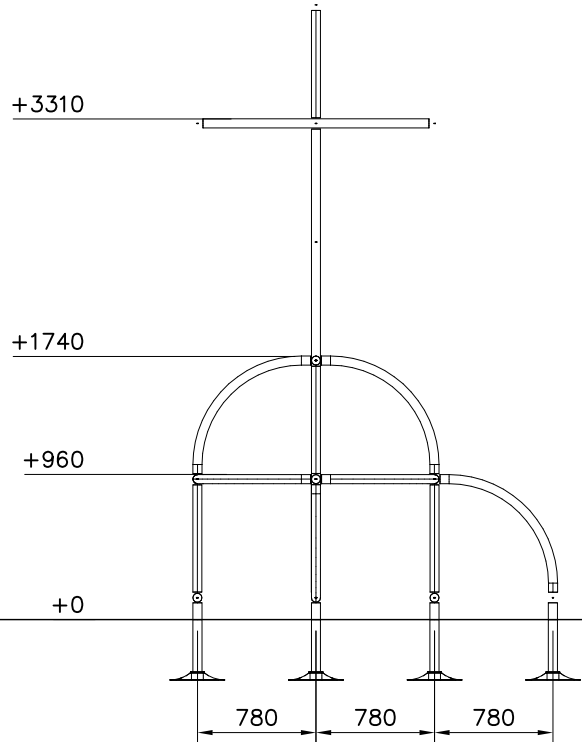


1:50

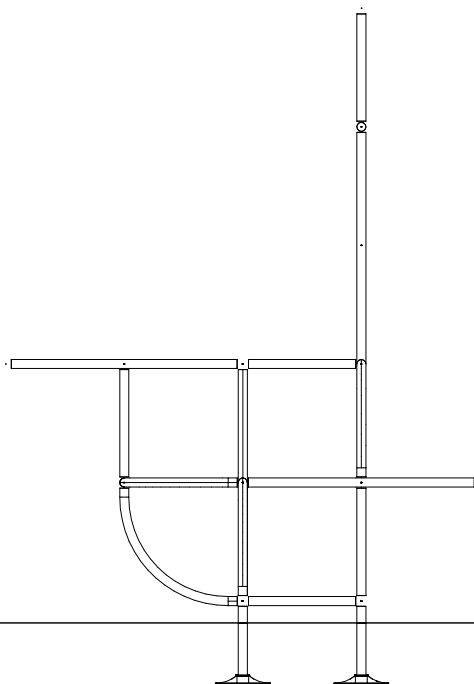
(A)



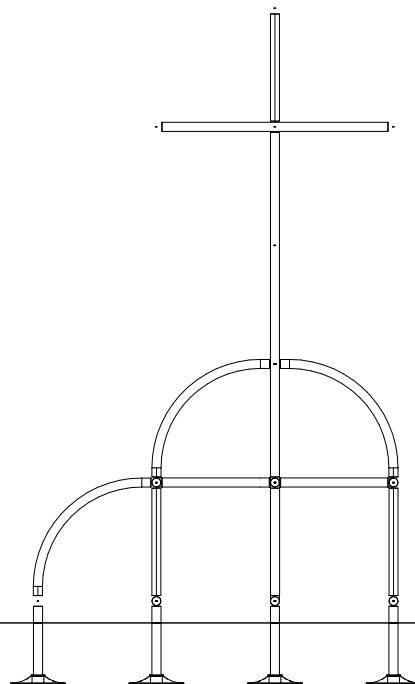
(B)

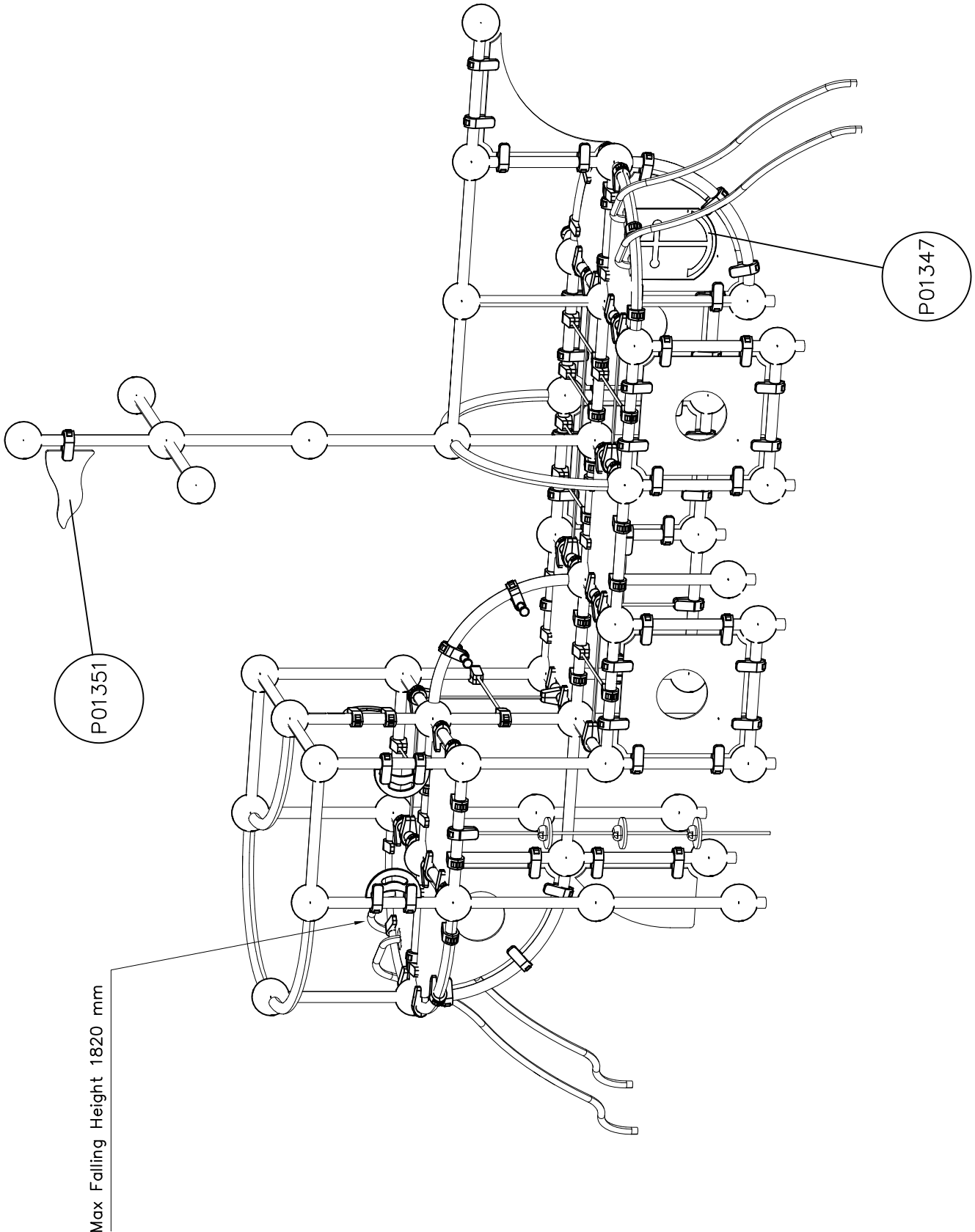


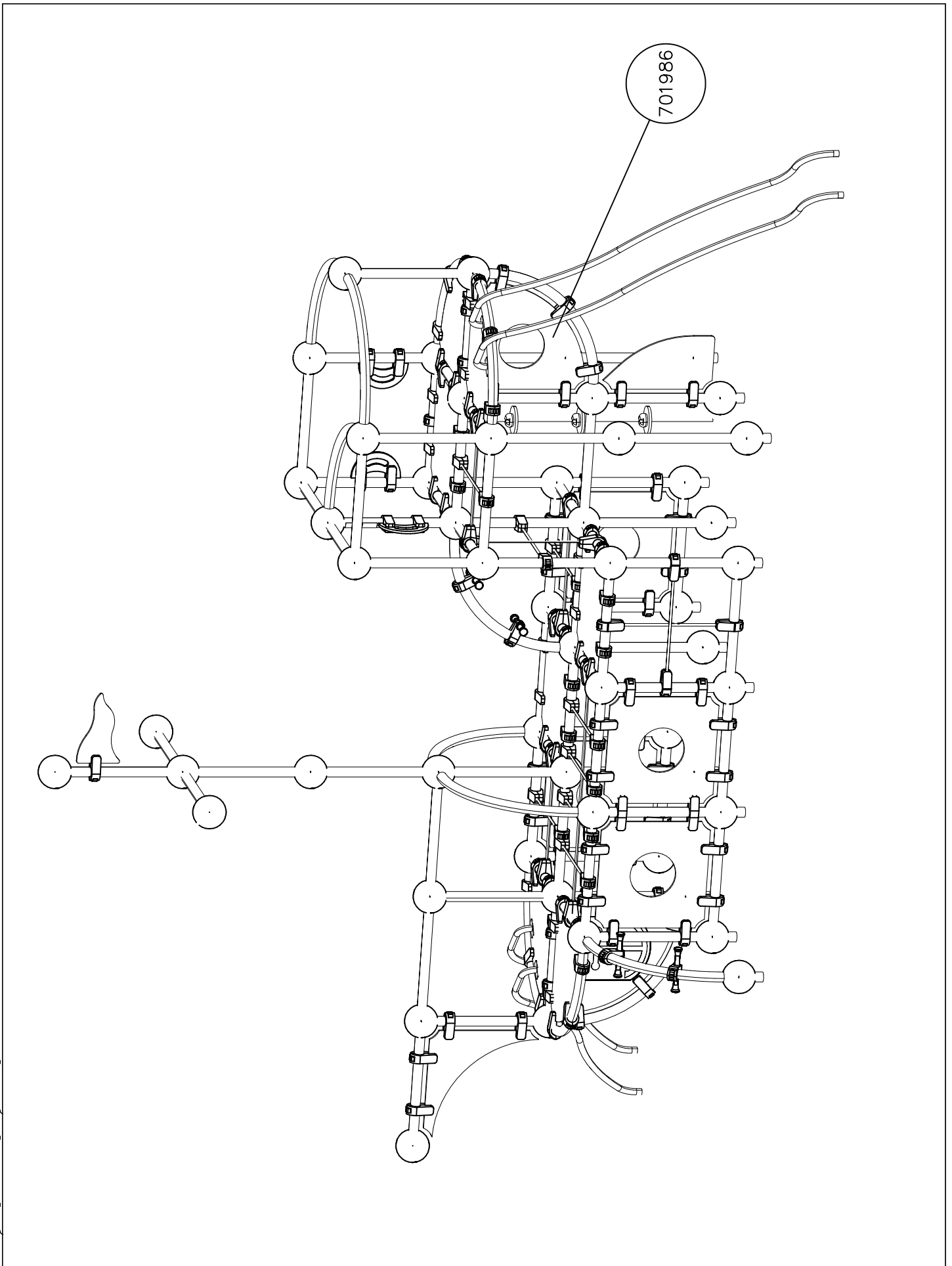
(C)

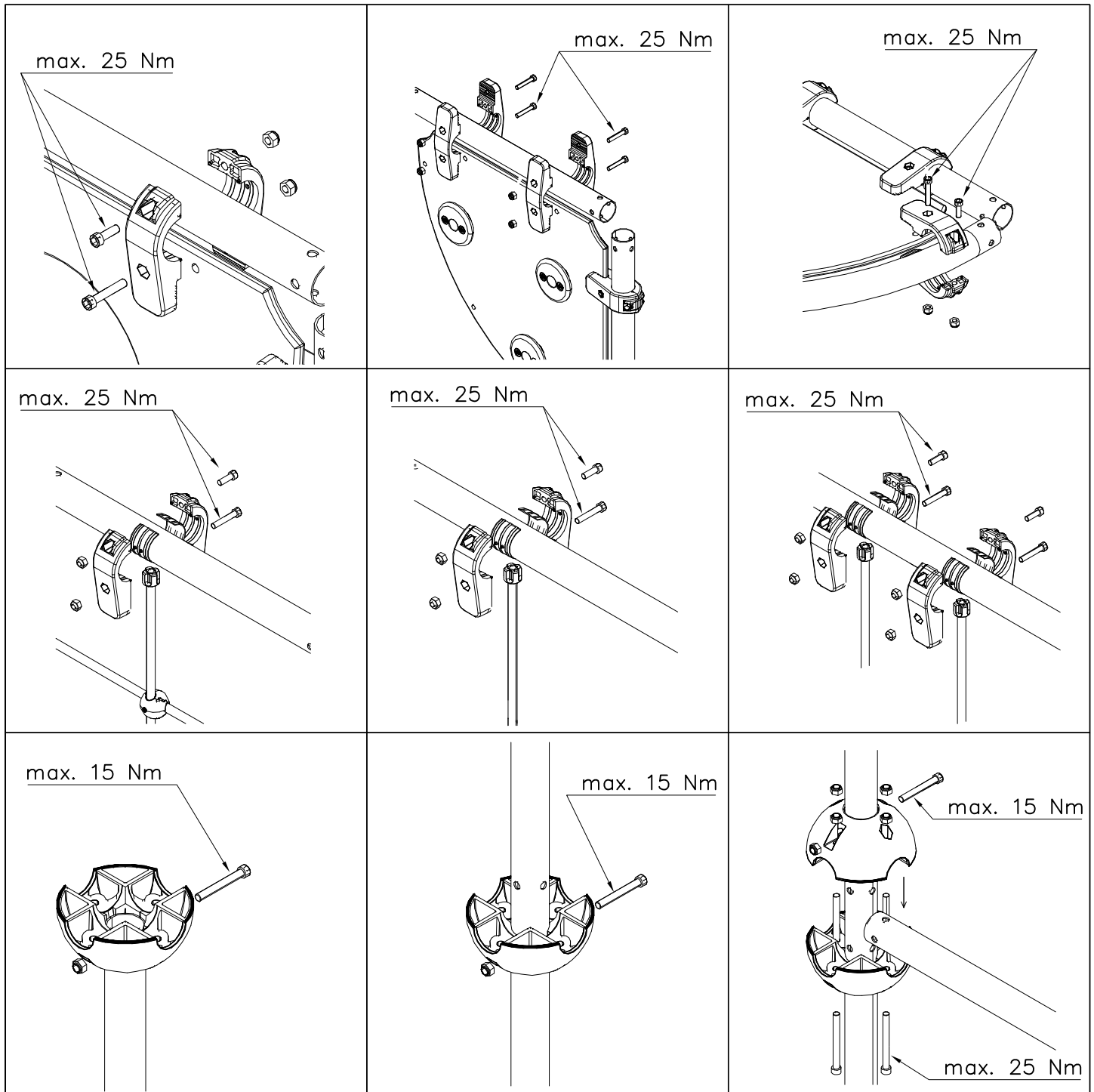


(D)





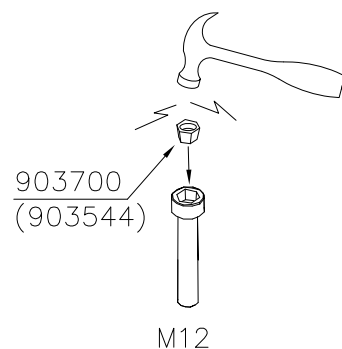
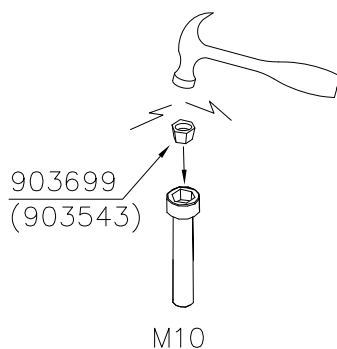


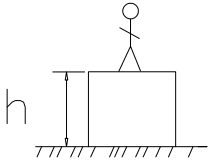



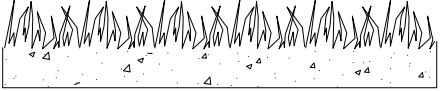
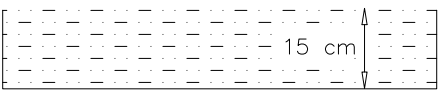
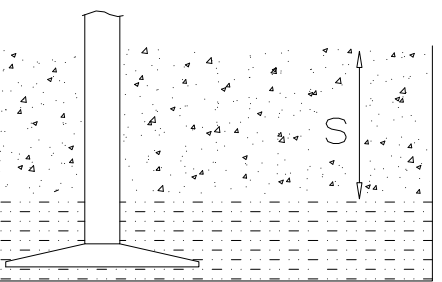
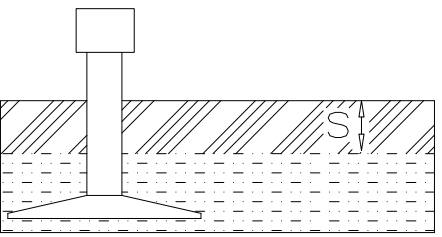


Security plugs are included only for selected products.

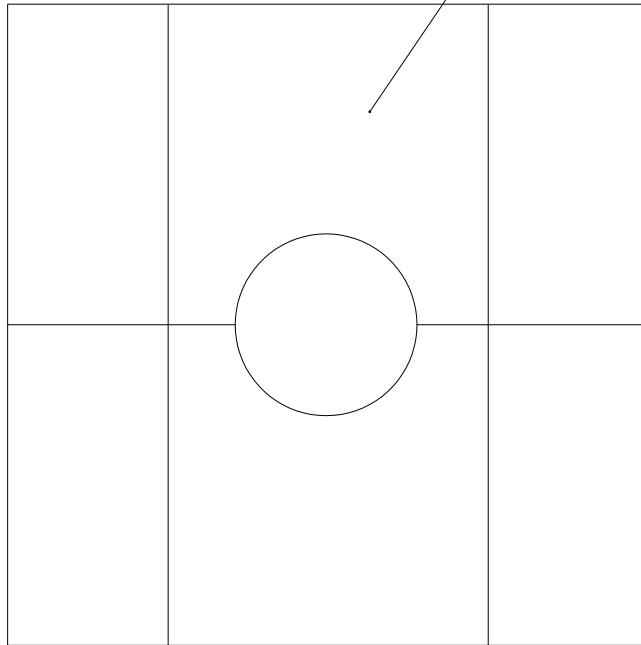
Hoi!
Pultit on kiristettävä lopulliseen kireyteen, ennen turvapinnien asennusta.

Note!
Tighten bolts properly, before installing security plugs.

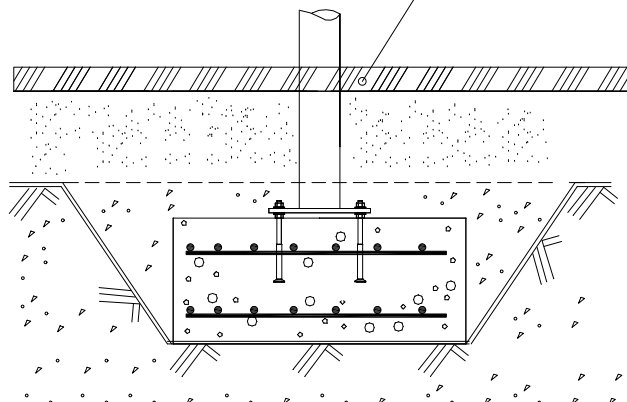


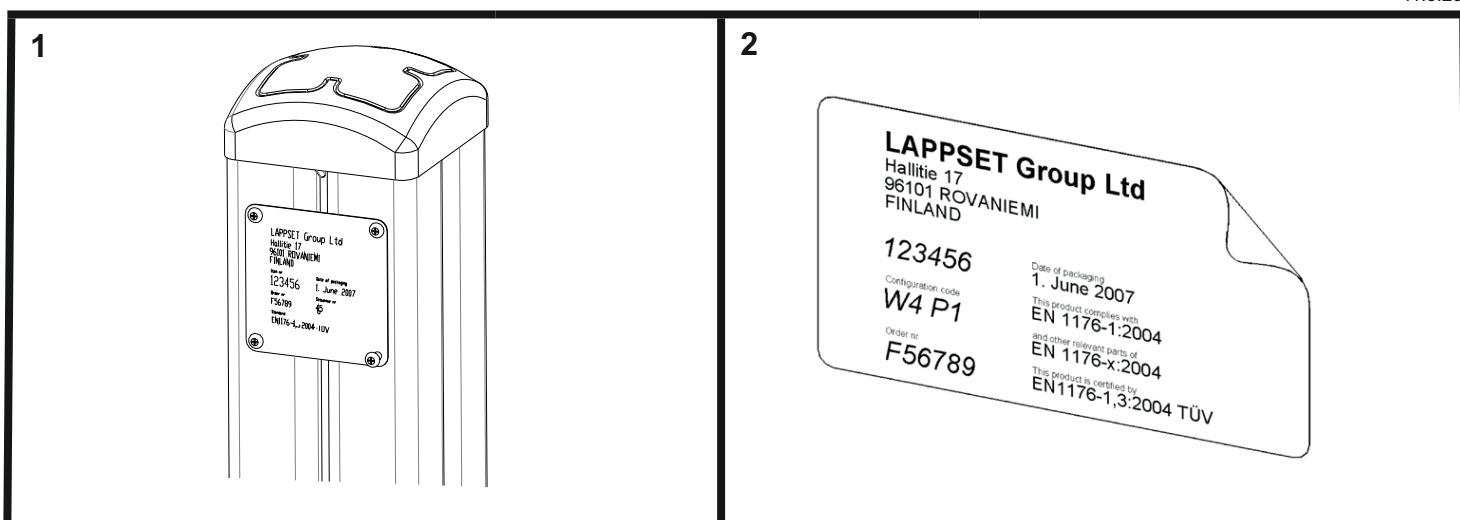
												
<p>$h < 600$</p> <p>Without movement and therefore without Impact Area</p>	<p>Totally hard surfaces.</p> <p>Note. Lappset does <u>not</u> recommend totally hard surfaces at all.</p>	<p>E.g. concrete or asphalt</p> 										
<p>$h < 600$</p> <p>With movement e.g. rocking</p>	<p>Materials with very limited impact attenuating properties.</p>	<p>E.g. wood</p> 										
<p>$h < 1000$</p>	<p>Materials with significant impact attenuating properties.</p>	<p>fine gravel 0–8 mm</p>  <p>grass</p>  <p>unsorted sand</p> 										
<p>$h < 3000$</p>	<p>Loose fill material</p> <p>E.g. sand/gravel 0,25...8 mm D60/D10<3,0 Woodchips 5...30 mm bark 20...80 mm</p>	 <table data-bbox="1024 1691 1332 1780"> <tr> <td>\underline{S}</td> <td>\underline{h}</td> </tr> <tr> <td>30 cm</td> <td>< 2,0 m</td> </tr> <tr> <td>40 cm</td> <td>< 3,0 m</td> </tr> </table>	\underline{S}	\underline{h}	30 cm	< 2,0 m	40 cm	< 3,0 m				
\underline{S}	\underline{h}											
30 cm	< 2,0 m											
40 cm	< 3,0 m											
	<p>Syntethic granulates</p> <table data-bbox="406 1892 758 2060"> <tr> <td>\underline{S}</td> <td>\underline{h}</td> </tr> <tr> <td>40 mm</td> <td>~> 1,2...1,3 m</td> </tr> <tr> <td>50 mm</td> <td>~> 1,5...1,7 m</td> </tr> <tr> <td>60 mm</td> <td>~> 1,8...2,0 m</td> </tr> <tr> <td>70 mm</td> <td>~> 2,1...2,5 m</td> </tr> </table> <p>Note. For accurate values, see manufacturer's instructions.</p>	\underline{S}	\underline{h}	40 mm	~> 1,2...1,3 m	50 mm	~> 1,5...1,7 m	60 mm	~> 1,8...2,0 m	70 mm	~> 2,1...2,5 m	
\underline{S}	\underline{h}											
40 mm	~> 1,2...1,3 m											
50 mm	~> 1,5...1,7 m											
60 mm	~> 1,8...2,0 m											
70 mm	~> 2,1...2,5 m											

REMOVE SAFETY SURFACE/SAND/GRAVEL
TO CHECK FOUNDATION



REMOVE SAFETY SURFACE/SAND/GRAVEL
TO CHECK FOUNDATION





Tuotekyltti tulee tuotteen mukana yhdellä seuraavista tavoista:

1) Metallinen tuotekyltti ja kiinnitysruuvit

- Kiinnitä tuotekyltti ruuveilla tolppaan noin 2 metrin korkeuteen kuvan 2 mukaisesti.

2) Tuotekylttitarra

- Puhdista maalattu metalli- tai vaneripinta pölystä ja kosteudesta. Liimaa tarra kuvan 3 mukaisesti.
- Huom. Älä kiinnitä tarraa karheapintaiseen laminaattiin tai maalattuun puuhun.

Vår produktmärkning levereras på ett av följande sätt:

1) Produktskylt i metall

- Fäst skylten med de medföljande skruvarna

2) Självhäftande produktetikett

- Rengör den pulverlackerad metallytan eller laminatytans åttanblirfrifrån smuts och fukt. Fäst etiketten enligt fig. 3.
- Obs! Fäst ej etiketten på detaljer med skrovlig yta eller på målat trä.

Product label is delivered by one of following ways:

1) Metal product label and screws

- Fasten the label with screws.

2) Label sticker

- Clean the painted metal or plywood surface from dirt and moisture. Fasten the sticker as shown in the figure 3.
- Note. Do not attach the sticker to rough surfaced laminate or painted wood.

La plaque d'informations produit est livrée sous l'une de ces 3 formes :

1) Plaque métallique et vis

- Fixez la plaque à l'aide des vis.

2) Etiquette autocollante

- Avant de coller l'étiquette, nettoyez le composant métallique peint ou la plaque de contreplaqué, de toute saleté. La surface doit être sèche (voir image 3).
- Attention, ne pas coller l'étiquette sur une surface lamellé-collée irrégulière ou sur du bois peint.

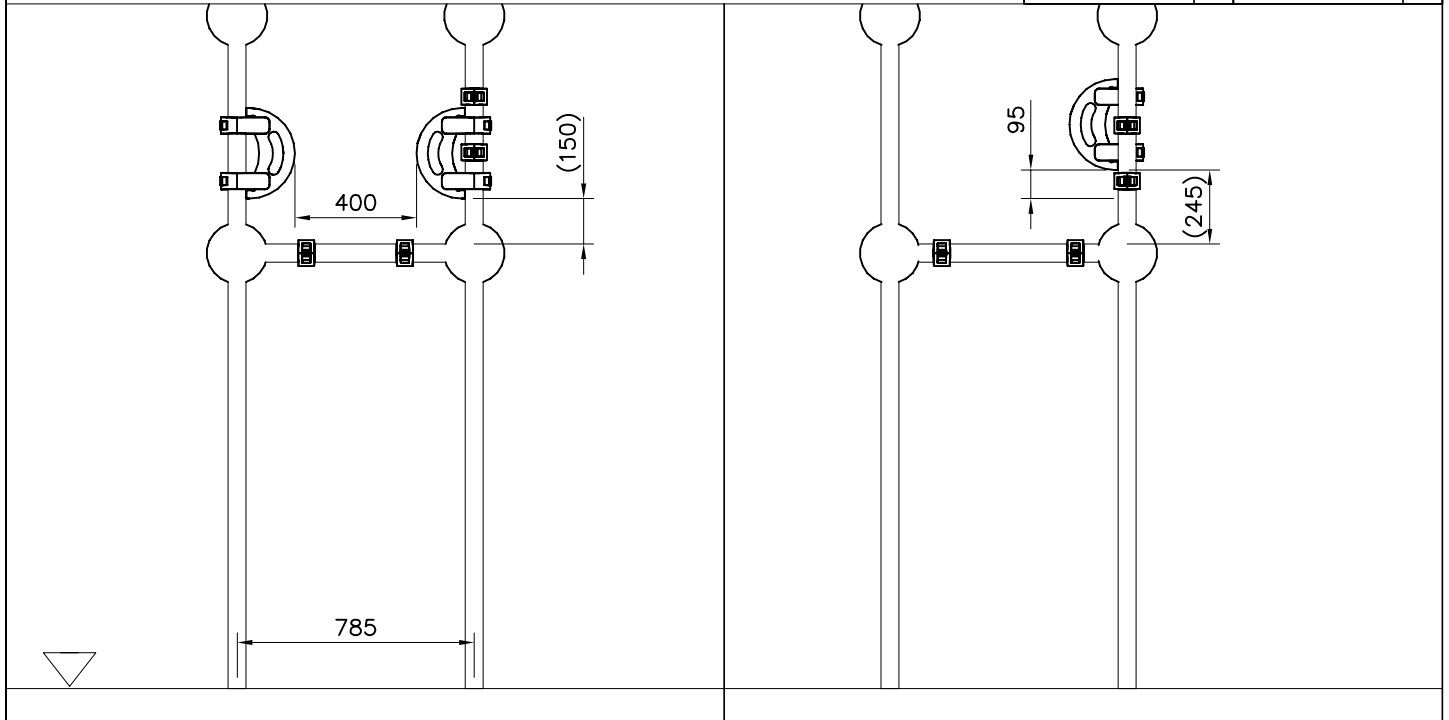
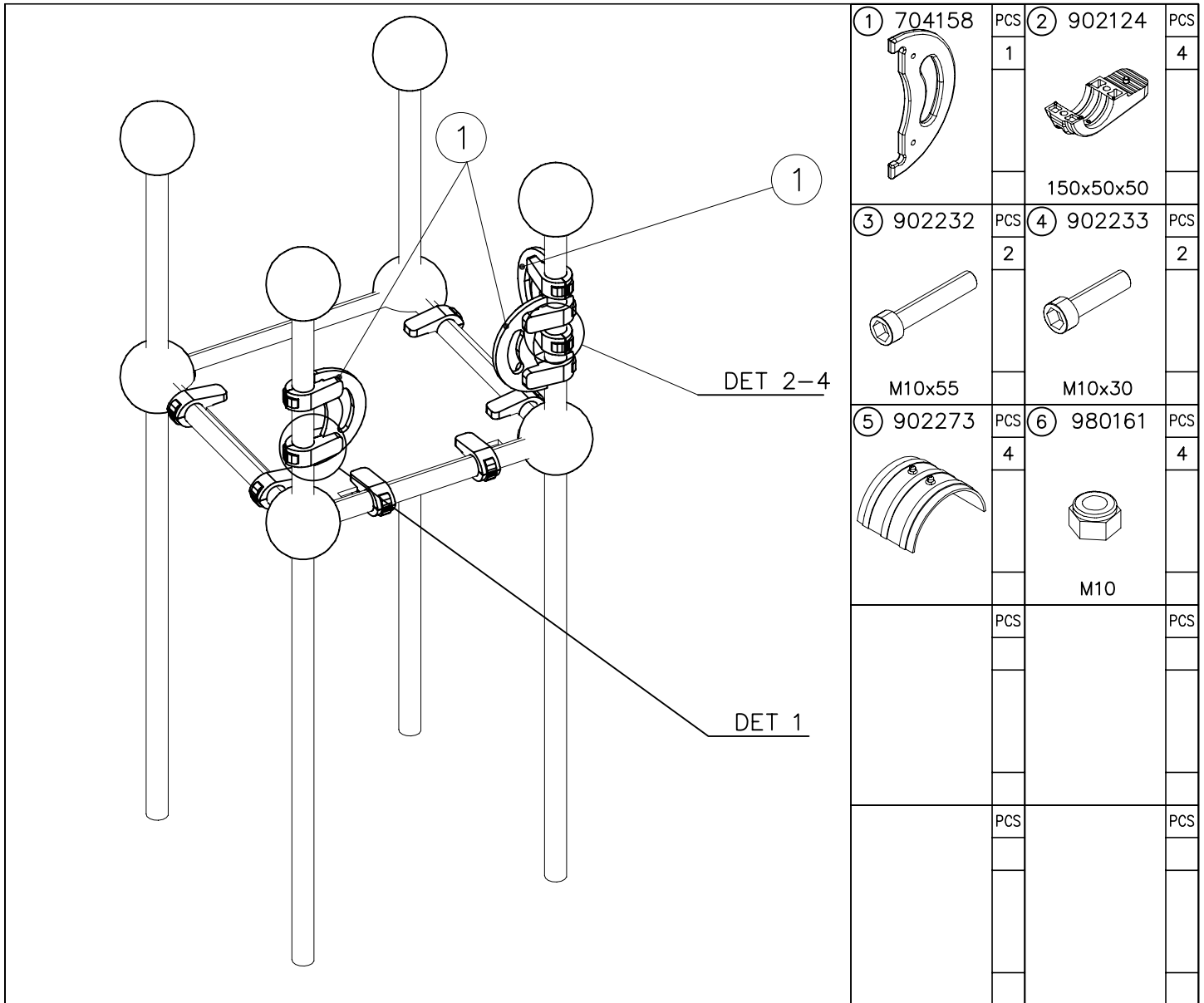
Die Auslieferung des Produktaufklebers erfolgt auf eine dieser Arten:

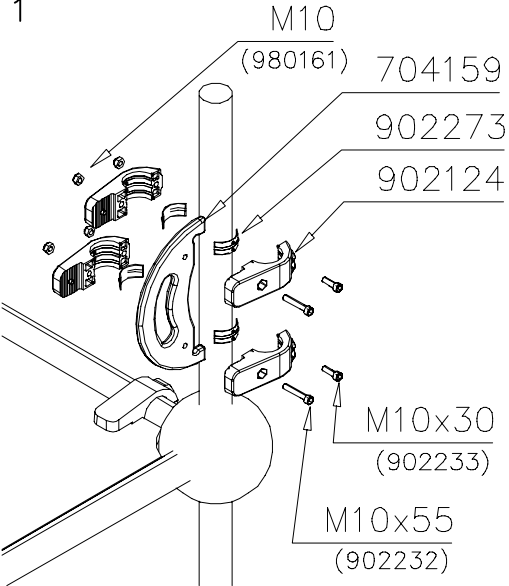
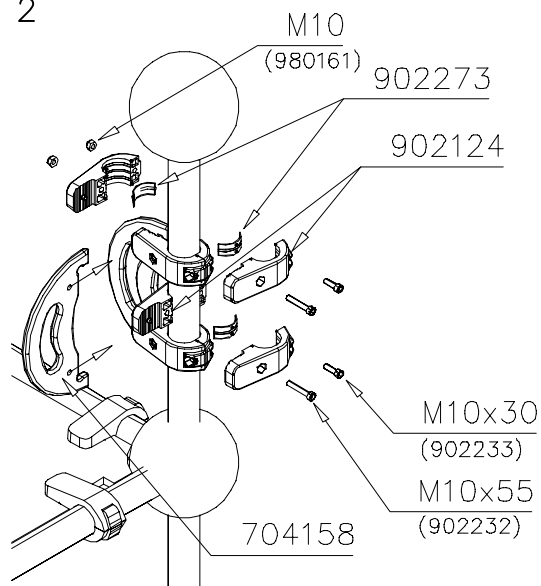
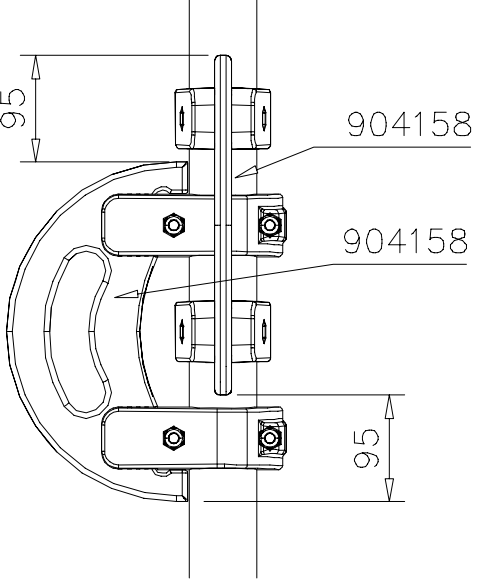
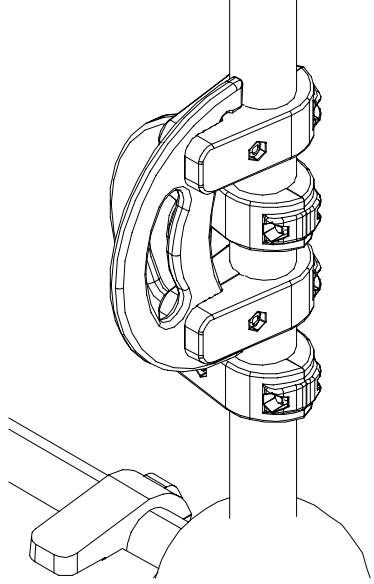
1) Produkt-Schild aus Metall incl. Schrauben

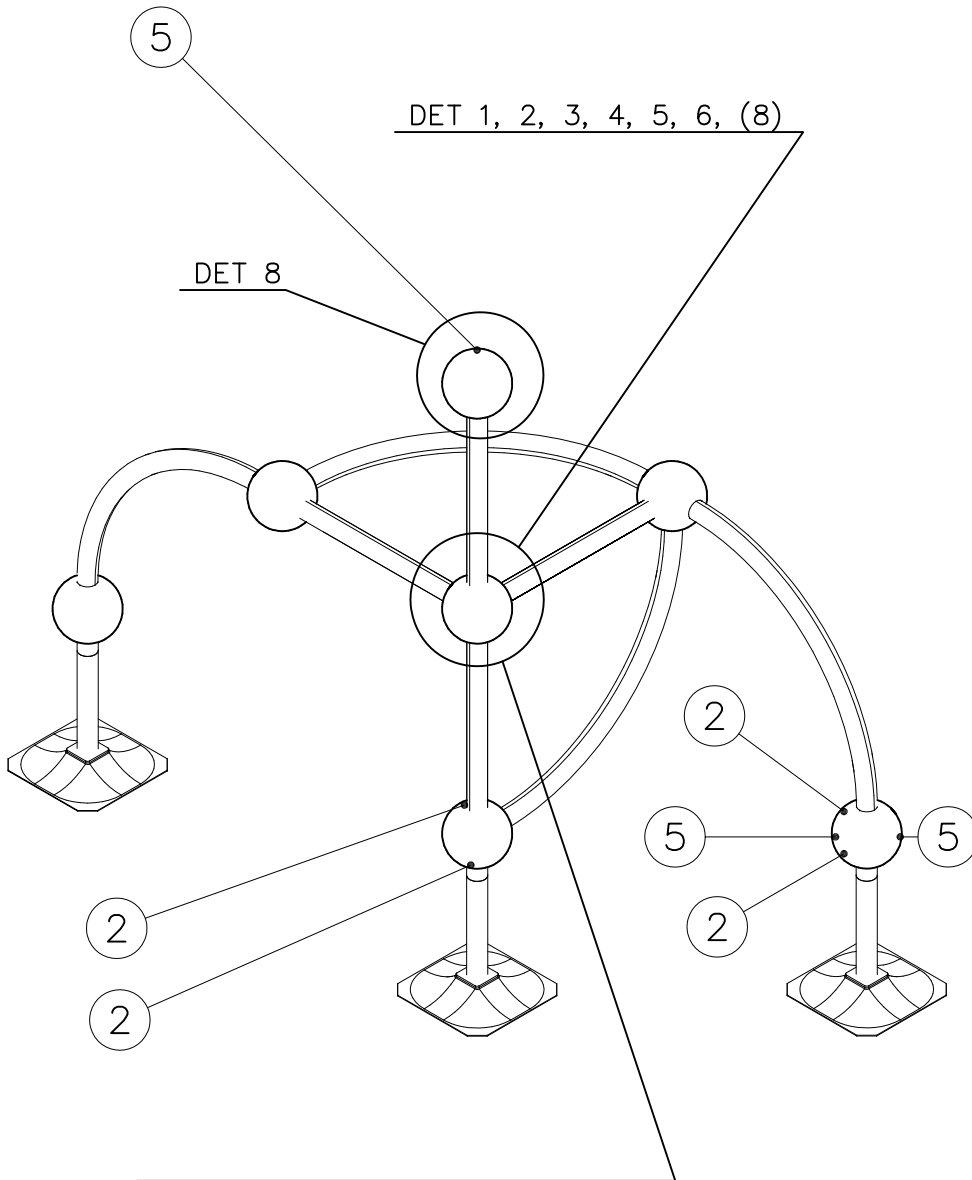
- Die Befestigung des Schildes erfolgt mittels der Schrauben.

2) Aufkleber

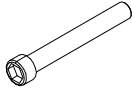

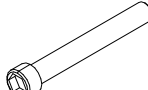

- Entfernen Sie zunächst Schmutz und Feuchtigkeit vom lackierten Metall bzw. von der Holzoberfläche und bringen Sie den Aufkleber wie im Bild oben rechts beschrieben auf den gesäuberten Untergrund auf.
- Beachten Sie: Bringen Sie den Aufkleber nicht auf raues laminiertes oder lackiertes Holz an.

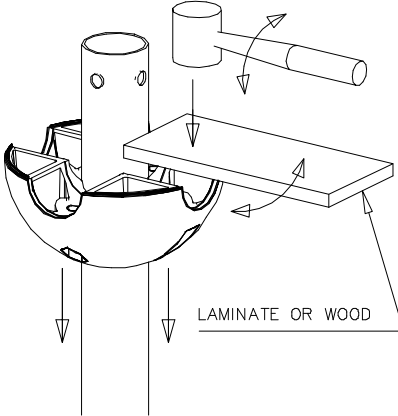
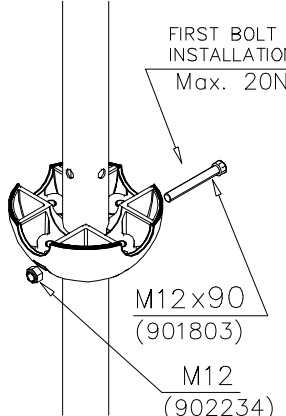
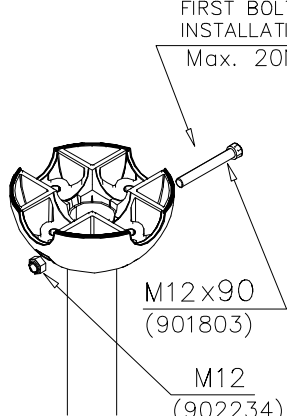
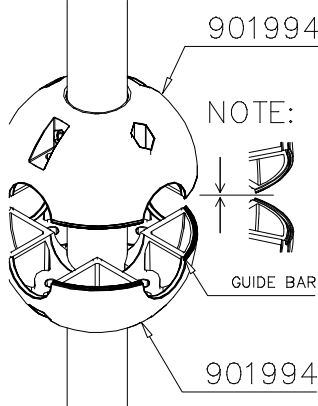
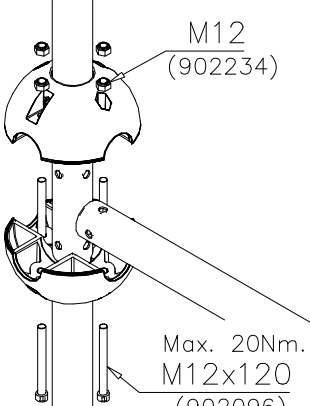
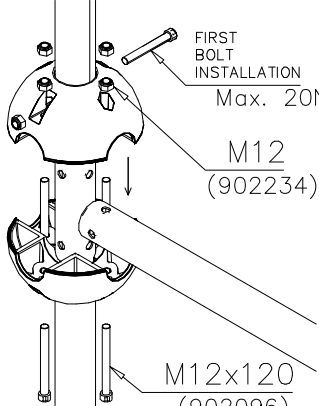
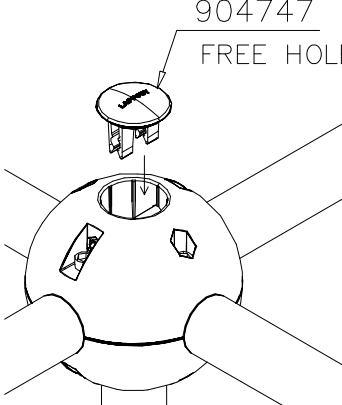



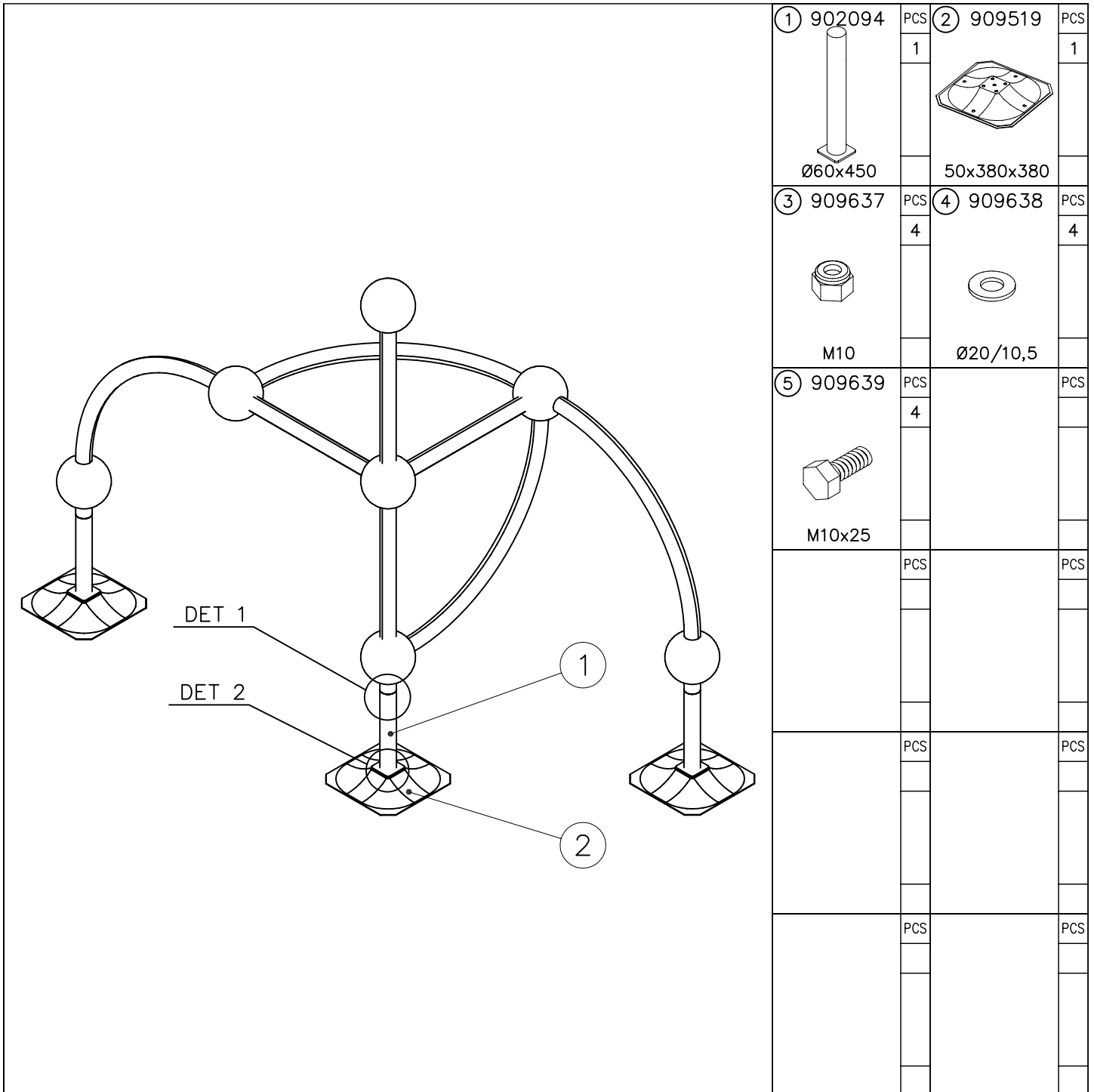
<p>DET 1</p>  <p>M10 (980161) 704159 902273 902124 M10x30 (902233) M10x55 (902232)</p>	<p>DET 2</p>  <p>M10 (980161) 902273 902124 M10x30 (902233) M10x55 (902232) 704158</p>
<p>DET 3</p>  <p>95 904158 904158 95</p>	<p>DET 4</p> 


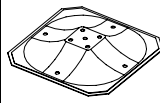
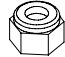

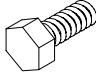


DO NOT TIGHTEN THE JOINTS UNTIL THE STRUCTURE IS COMPLETE.

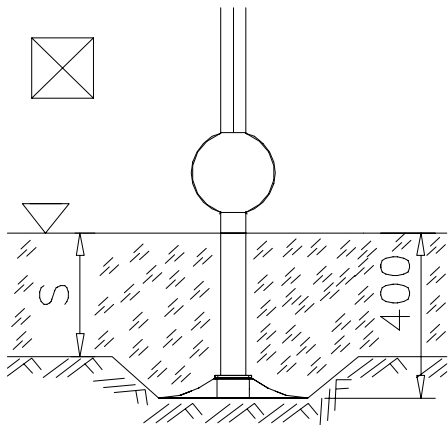
① 901803	PCS	② 901994	PCS
	2		2
M12x90		Ø190	
③ 902096	PCS	④ 902234	PCS
	4		6
M12x120		M12	
	PCS		PCS
	PCS		PCS
	PCS		PCS
	PCS		PCS
	PCS		PCS
	PCS		PCS

<p>DET 1</p>  <p>LAMINATE OR WOOD</p>	<p>DET 2</p>  <p>FIRST BOLT INSTALLATION Max. 20Nm.</p> <p>M12x90 (901803)</p> <p>M12 (902234)</p>	<p>DET 3</p>  <p>FIRST BOLT INSTALLATION Max. 20Nm.</p> <p>M12x90 (901803)</p> <p>M12 (902234)</p>
<p>DET 4</p>  <p>901994</p> <p>NOTE:</p> <p>GUIDE BAR</p> <p>901994</p>	<p>DET 5</p>  <p>M12 (902234)</p> <p>Max. 20Nm. M12x120 (902096)</p>	<p>DET 6</p>  <p>FIRST BOLT INSTALLATION Max. 20Nm.</p> <p>M12 (902234)</p> <p>M12x120 (902096)</p>
<p>REMEMBER FINAL TIGHTENING</p>	<p>DET 7</p>  <p>902157 or 904747 FREE HOLE</p>	<p>DET 8</p>  <p>902157 or 904747 FREE HOLE</p>

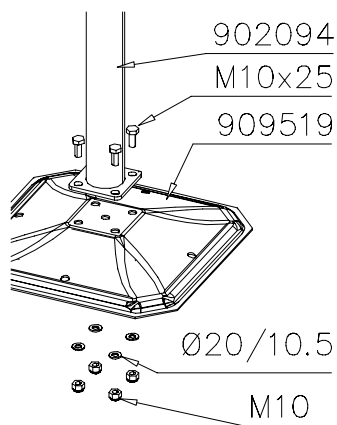


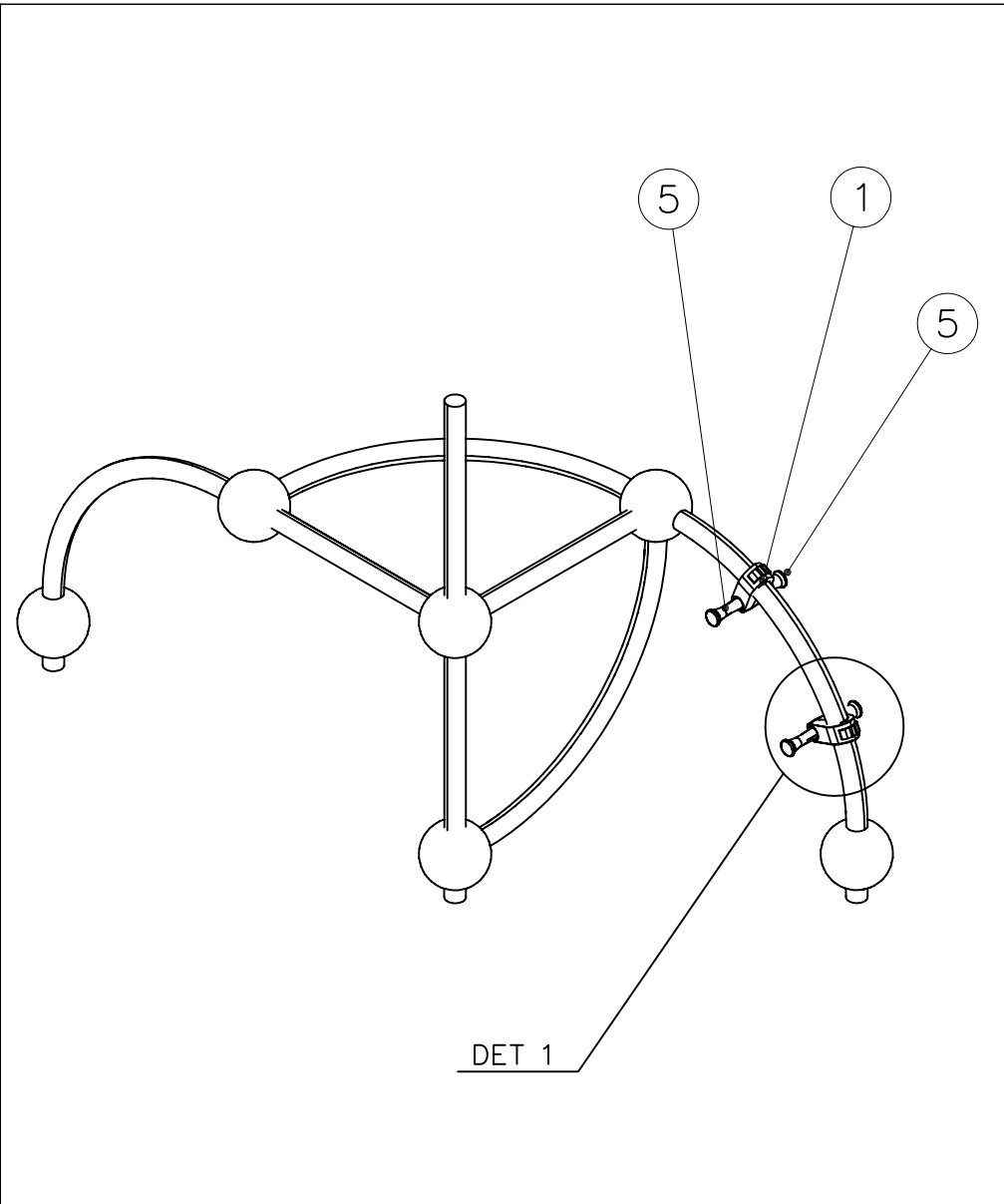
①	902094	PCS	②	909519	PCS
		1			1
	Ø60x450		50x380x380		
③	909637	PCS	④	909638	PCS
		4			4
	M10		Ø20/10,5		
⑤	909639	PCS			PCS
		4			
	M10x25				
		PCS			PCS
		PCS			PCS
		PCS			PCS

DET 1

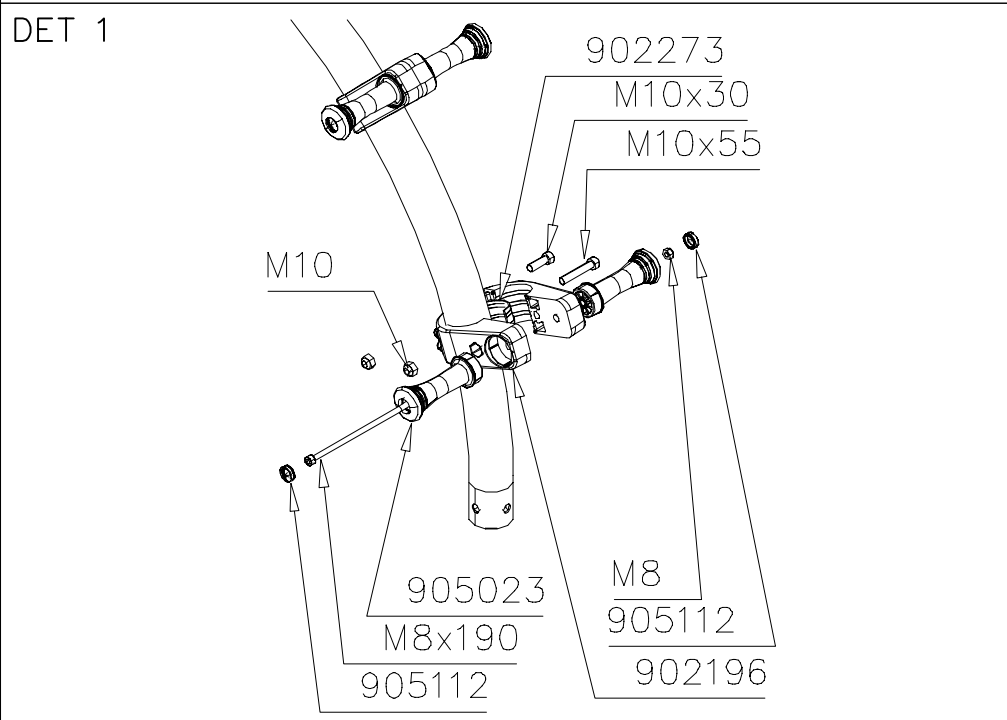


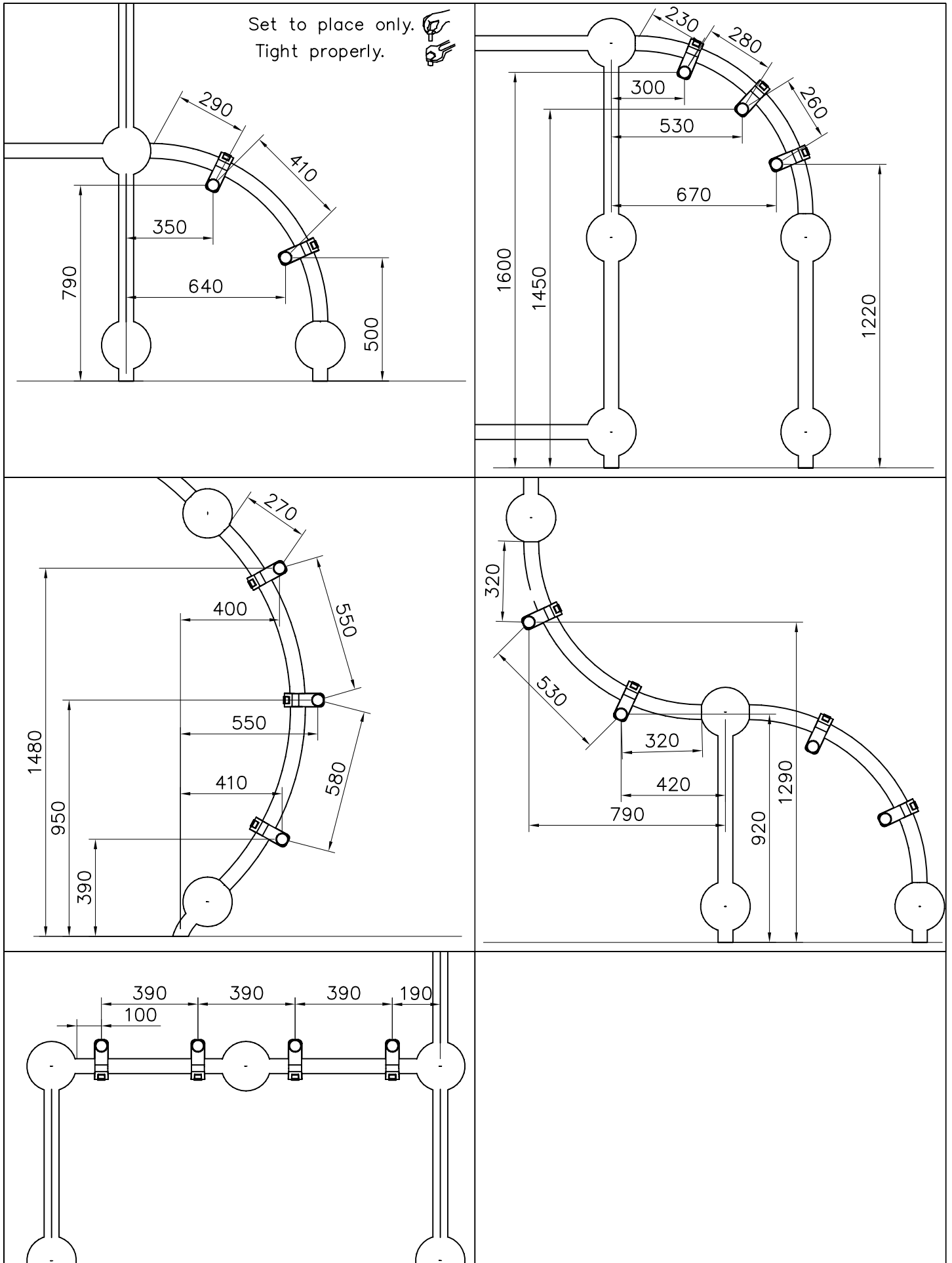
DET 2





①	902196	PCS	②	902232	PCS
		2			1
	150x50x50			M10x55	
③	902233	PCS	④	902273	PCS
		1			2
	M10x30				
⑤	905023	PCS	⑥	905112	PCS
		2			2
	Ø50x126			Ø22	
⑦	909195	PCS	⑧	980150	PCS
		1			1
	M8x190			M8	
⑨	980161	PCS			PCS
		2			
	M10				
		PCS			PCS



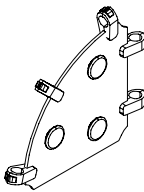
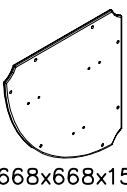
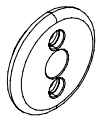
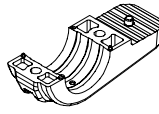
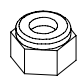
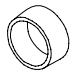
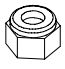
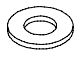
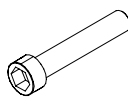
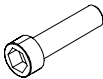
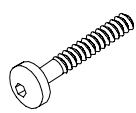
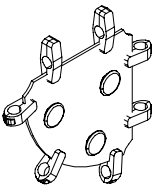
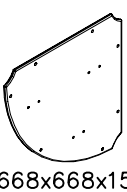

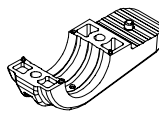
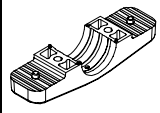
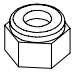
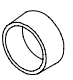
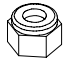
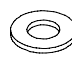
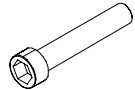
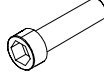
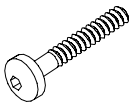
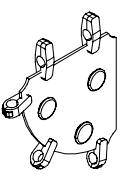
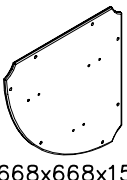
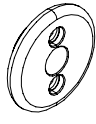
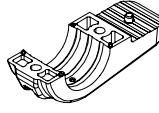
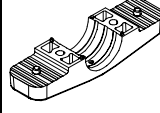
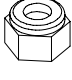
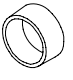
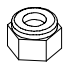

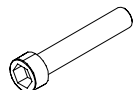
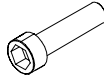
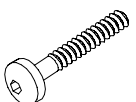


WINAM GROUP WALL AND FLOOR

CLOXX

DATE: 3.8.2010



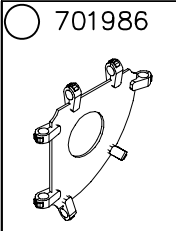
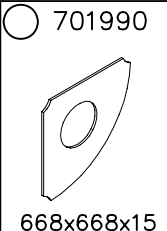
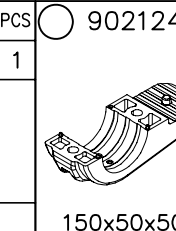
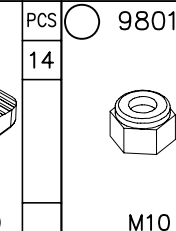
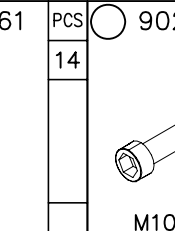
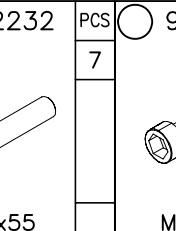
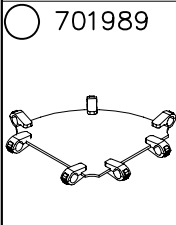
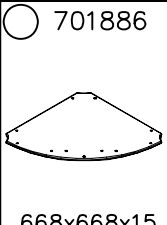
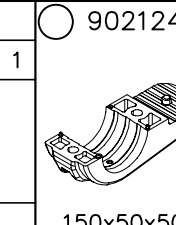
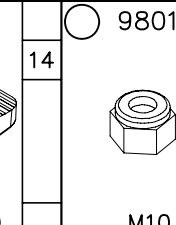
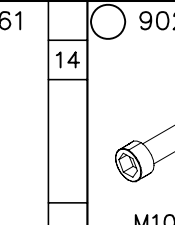
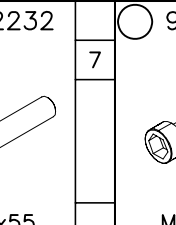
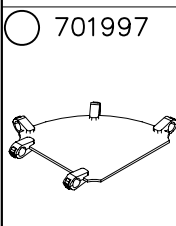
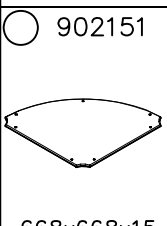
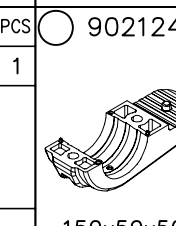
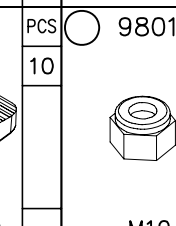
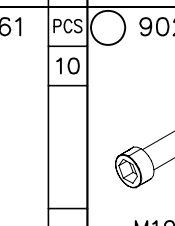
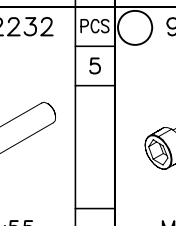
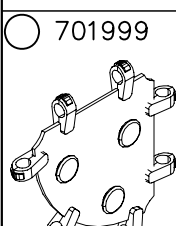
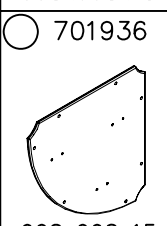
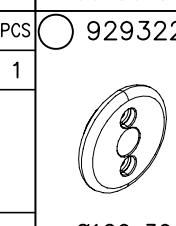
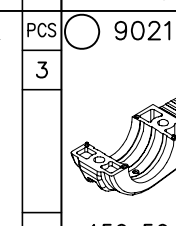
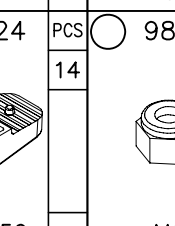
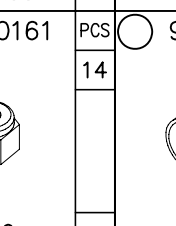
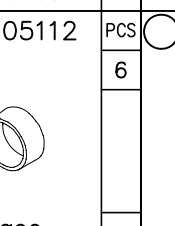
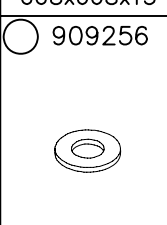
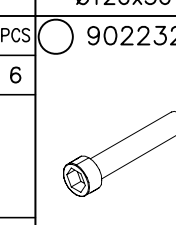
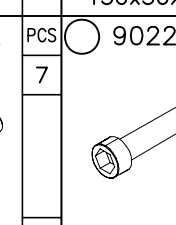
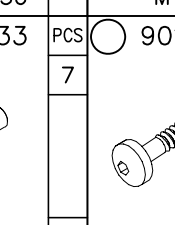
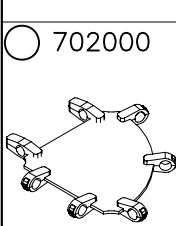
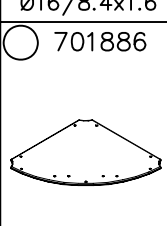
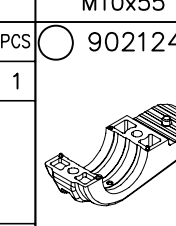
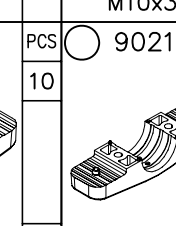
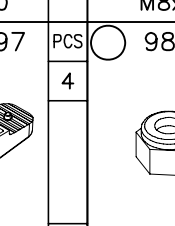
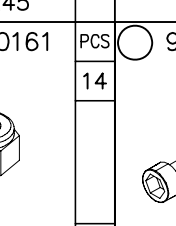
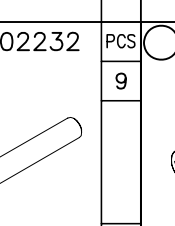
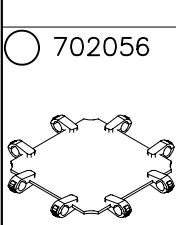
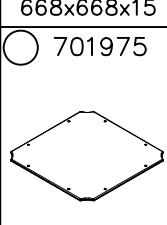
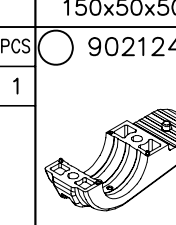
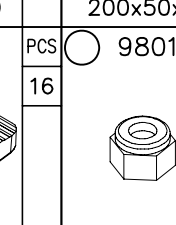
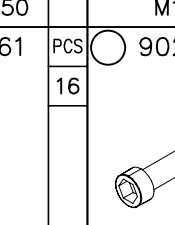
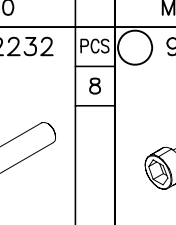
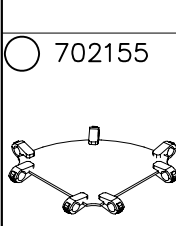
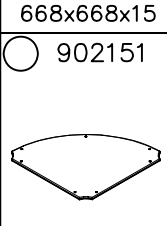
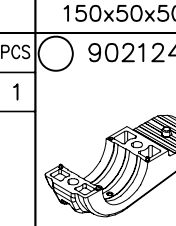
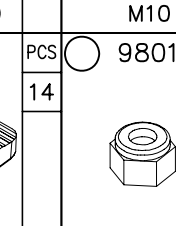
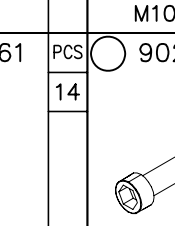
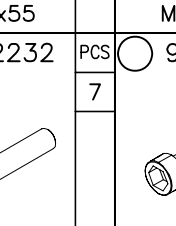
 701967	 668x668x15	PCS 1	 Ø120x30	PCS 3	 150x50x50	PCS 10	 M10	PCS 10	 Ø22	PCS 6	 M8	PCS 6
	 Ø16/8.4x1.6	PCS 6	 M10x55	PCS 5	 M10x30	PCS 5	 M8x45	PCS 6		PCS		PCS
		PCS		PCS		PCS		PCS		PCS		PCS
 701987	 668x668x15	PCS 1	 Ø120x30	PCS 3	 150x50x50	PCS 10	 200x50x50	PCS 4	 M10	PCS 14	 Ø22	PCS 6
	 M8	PCS 6	 Ø16/8.4x1.6	PCS 6	 M10x55	PCS 9	 M10x30	PCS 5	 M8x45	PCS 6		PCS
		PCS		PCS		PCS		PCS		PCS		PCS
 702046	 668x668x15	PCS 1	 Ø120x30	PCS 3	 150x50x50	PCS 10	 200x50x50	PCS 4	 M10	PCS 10	 Ø22	PCS 6
	 M8	PCS 6	 Ø16/8.4x1.6	PCS 6	 M10x55	PCS 7	 M10x30	PCS 3	 M8x45	PCS 6		PCS
		PCS		PCS		PCS		PCS		PCS		PCS

WINAM GROUP WALL AND FLOOR

CLOXX

DATE: 3.8.2010

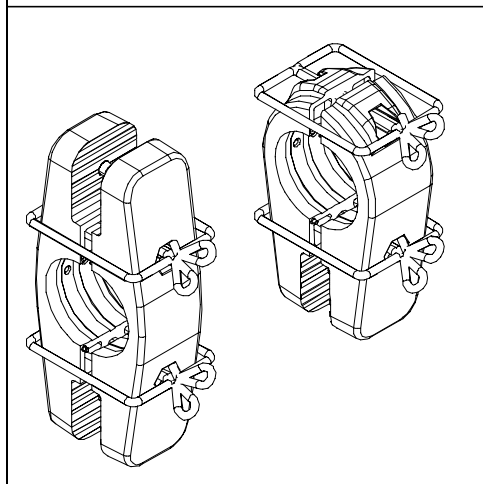
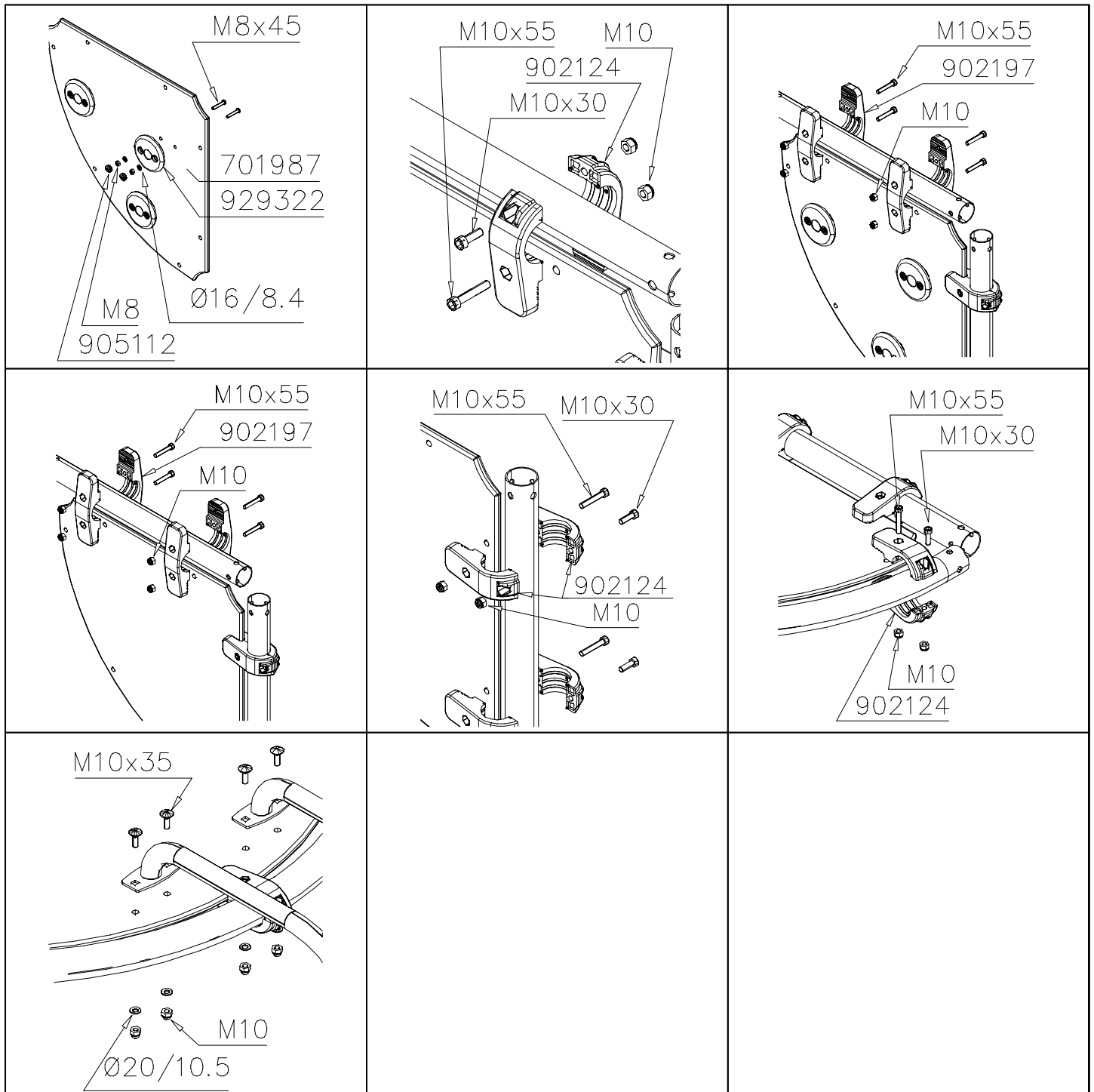


 701986	 668x668x15	PCS 1	 150x50x50	PCS 14	 M10	PCS 14	 M10x55	PCS 7	 M10x30	PCS 7		PCS
 701989	 668x668x15	PCS 1	 150x50x50	PCS 14	 M10	PCS 14	 M10x55	PCS 7	 M10x30	PCS 7		PCS
 701997	 668x668x15	PCS 1	 150x50x50	PCS 10	 M10	PCS 10	 M10x55	PCS 5	 M10x30	PCS 5		PCS
 701999	 668x668x15	PCS 1	 Ø120x30	PCS 3	 150x50x50	PCS 14	 M10	PCS 14	 Ø22	PCS 6	 M8	PCS 6
	 Ø16/8.4x1.6	PCS 6	 M10x55	PCS 7	 M10x30	PCS 7	 M8x45	PCS 6		PCS		PCS
 702000	 668x668x15	PCS 1	 150x50x50	PCS 10	 200x50x50	PCS 4	 M10	PCS 14	 M10x55	PCS 9	 M10x30	PCS 5
 702056	 668x668x15	PCS 1	 150x50x50	PCS 16	 M10	PCS 16	 M10x55	PCS 8	 M10x30	PCS 8		PCS
 702155	 668x668x15	PCS 1	 150x50x50	PCS 14	 M10	PCS 14	 M10x55	PCS 7	 M10x30	PCS 7		PCS

WINAM GROUP WALL AND FLOOR

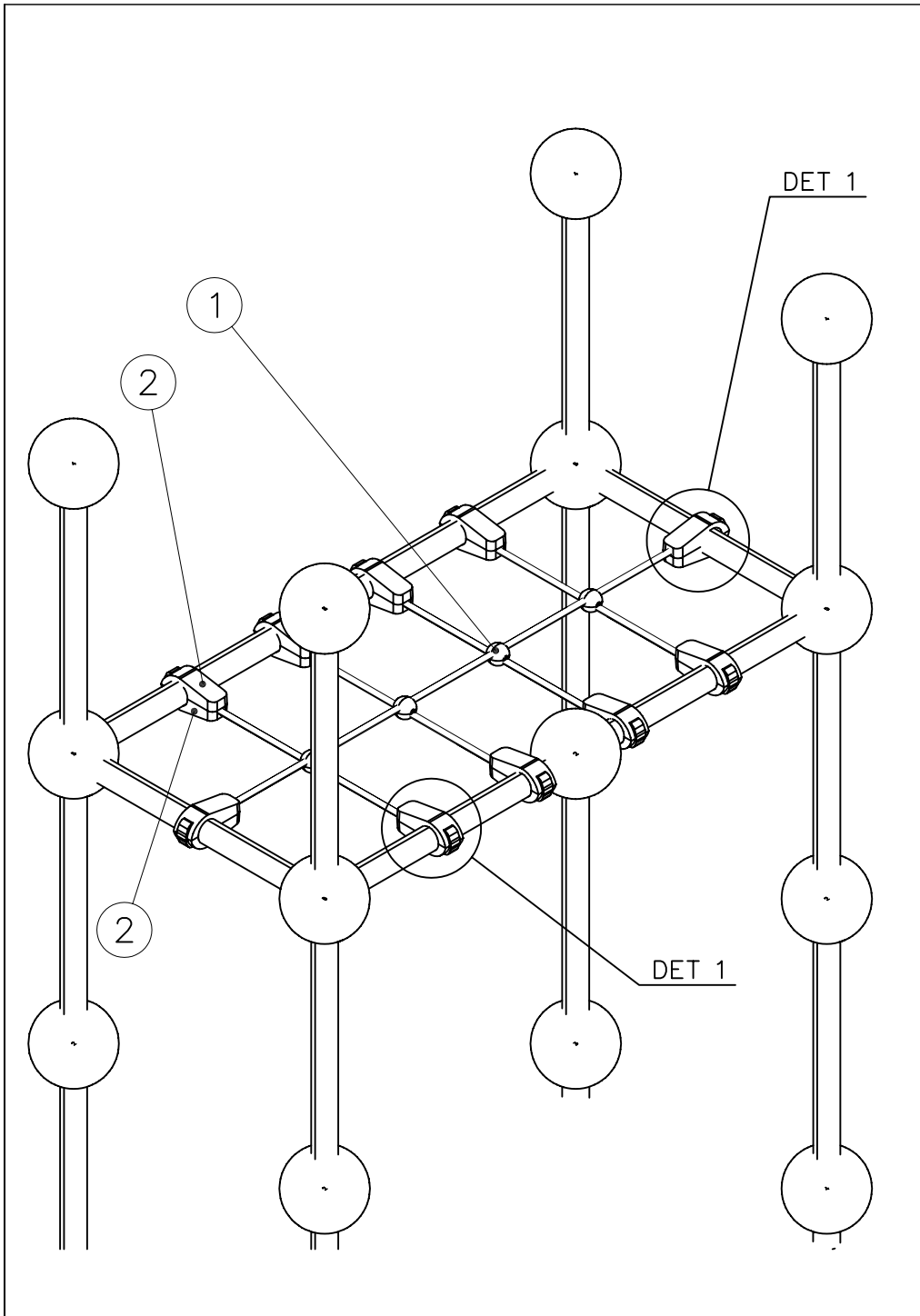
CLOXX

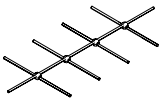

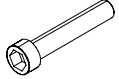
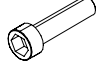
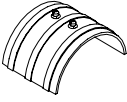

DATE: 3.8.2010



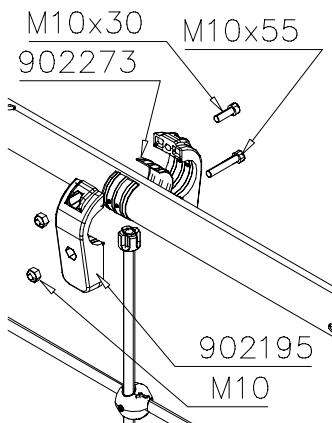
NOTE:
Use a wire marked pairs
of the same junction.

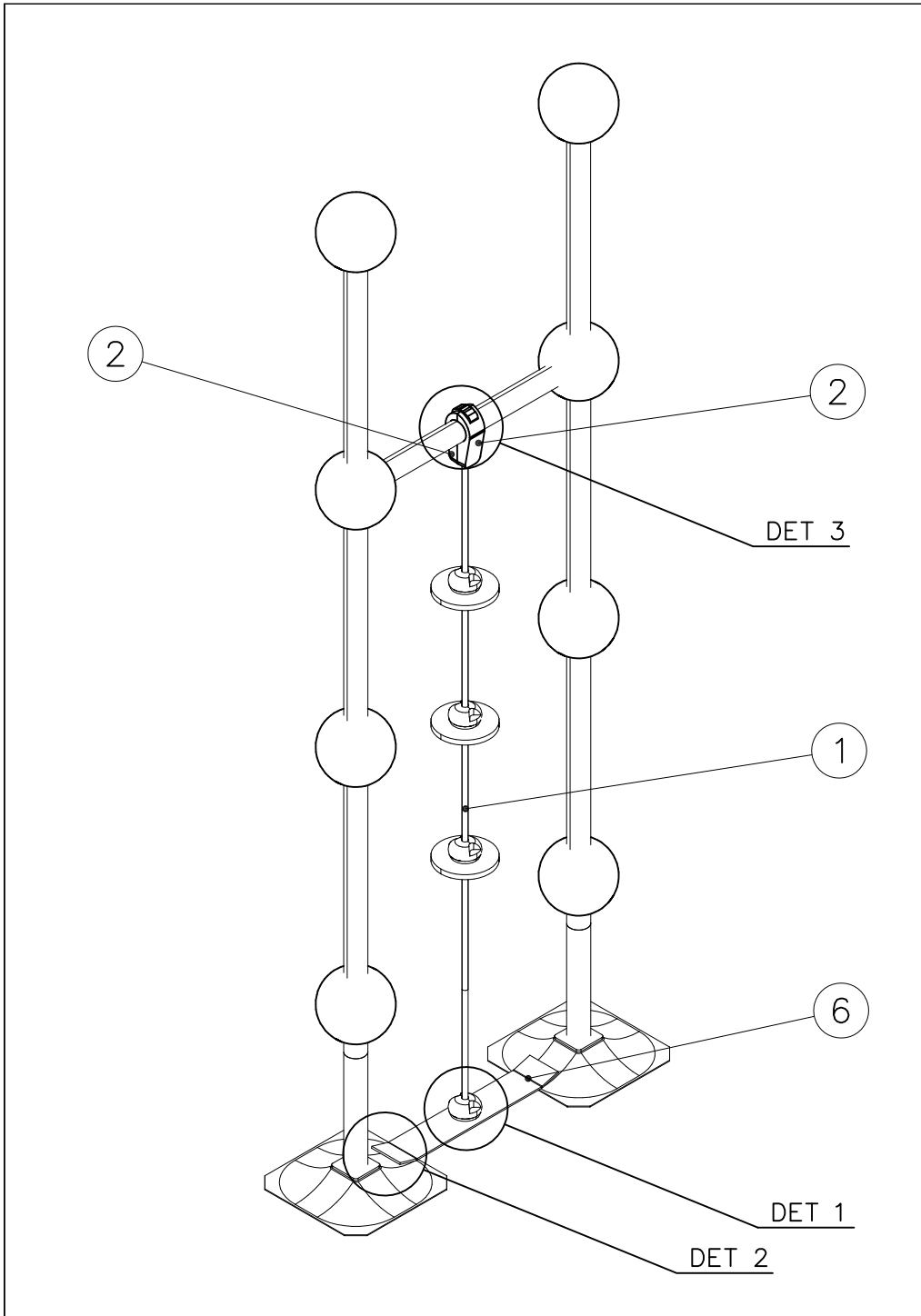
Huom!
Käytä langalla merkittyä
paria samassa liitoksessa.



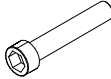
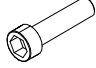
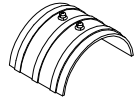
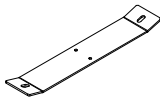
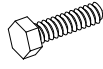





① 702009	PCS	② 902195	PCS
	1	 150*50*50	20
③ 902232	PCS	④ 902233	PCS
 M10x55	10	 M10x30	10
⑤ 902273	PCS	⑥ 980161	PCS
 20	20	 M10	20
	PCS		PCS
	PCS		PCS
	PCS		PCS

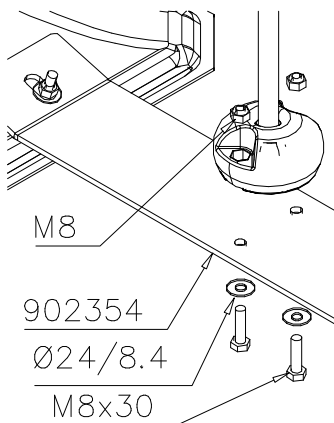
DET 1



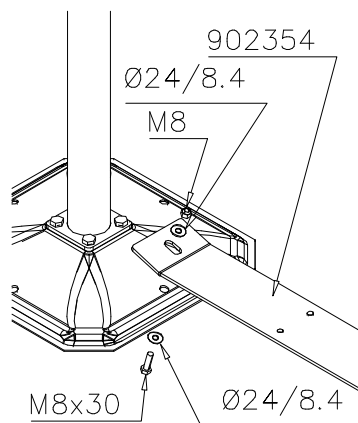


①	702061	PCS	②	902195	PCS
		1			2
	2028			150*50*50	
③	902232	PCS	④	902233	PCS
		1			1
	M10x55			M10x30	
⑤	902273	PCS	⑥	902354	PCS
		2			1
⑦	909274	PCS	⑧	980152	PCS
		4			6
	M8x30			Ø24/8.4x2	
⑨	980150	PCS	⑩	980161	PCS
		4			2
	M8			M10	
		PCS			PCS

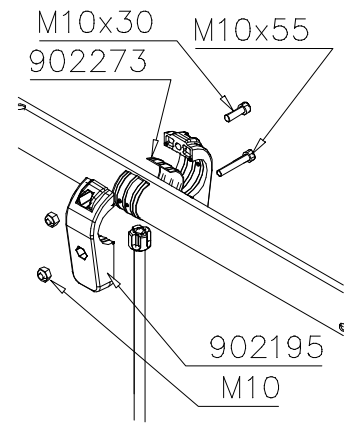
DET 1

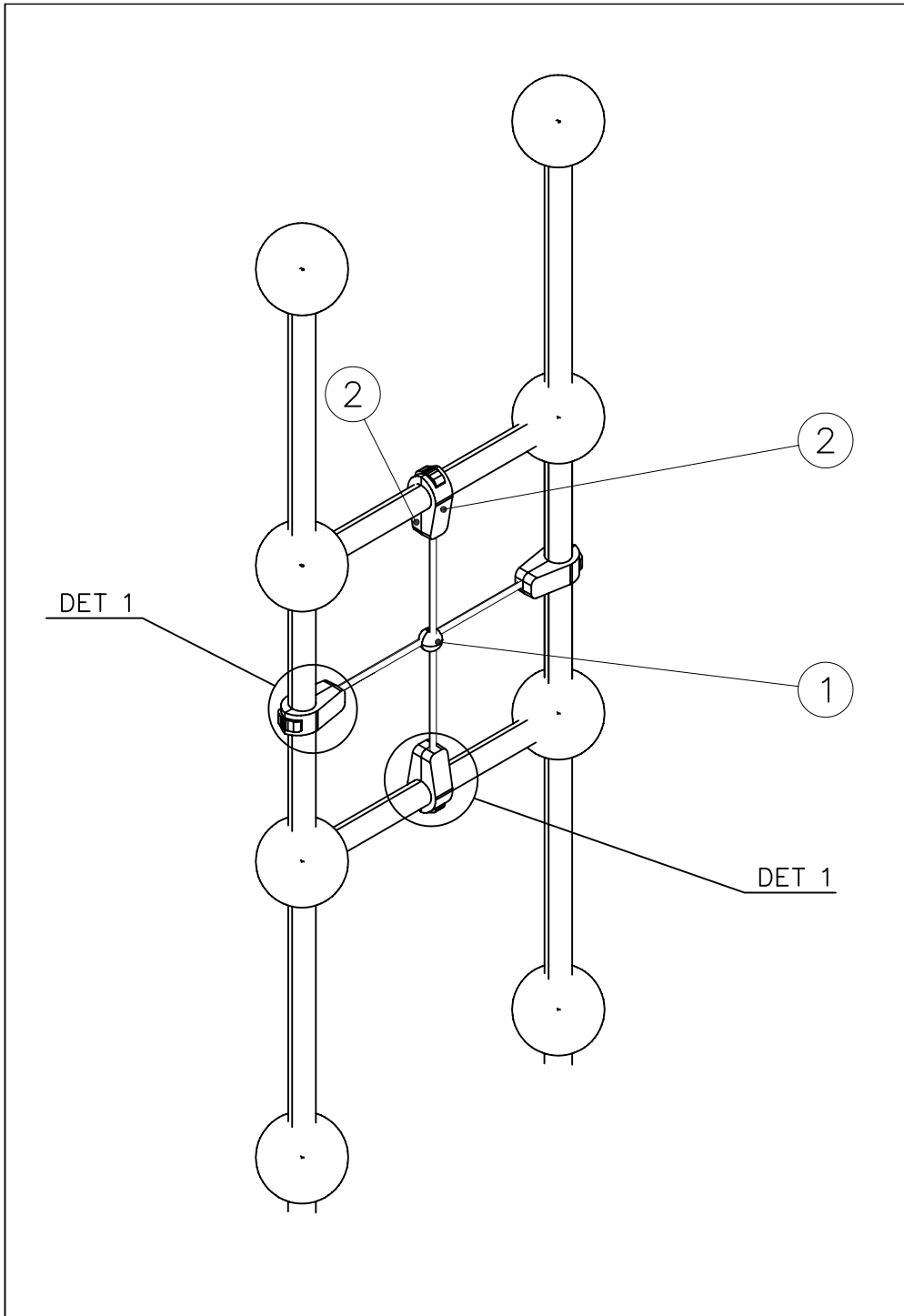


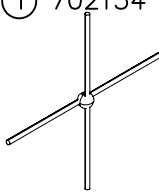
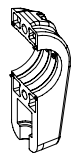
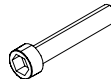
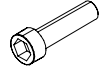
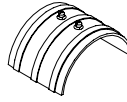

DET 2

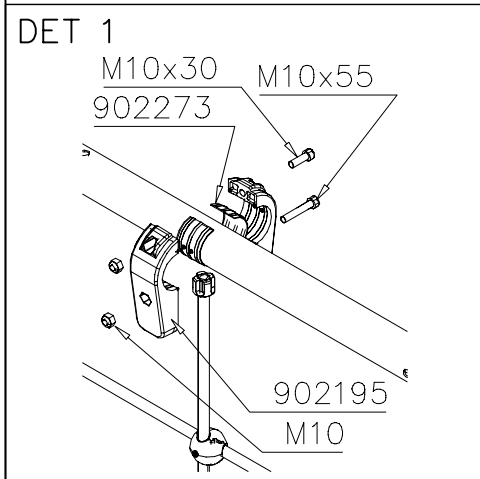


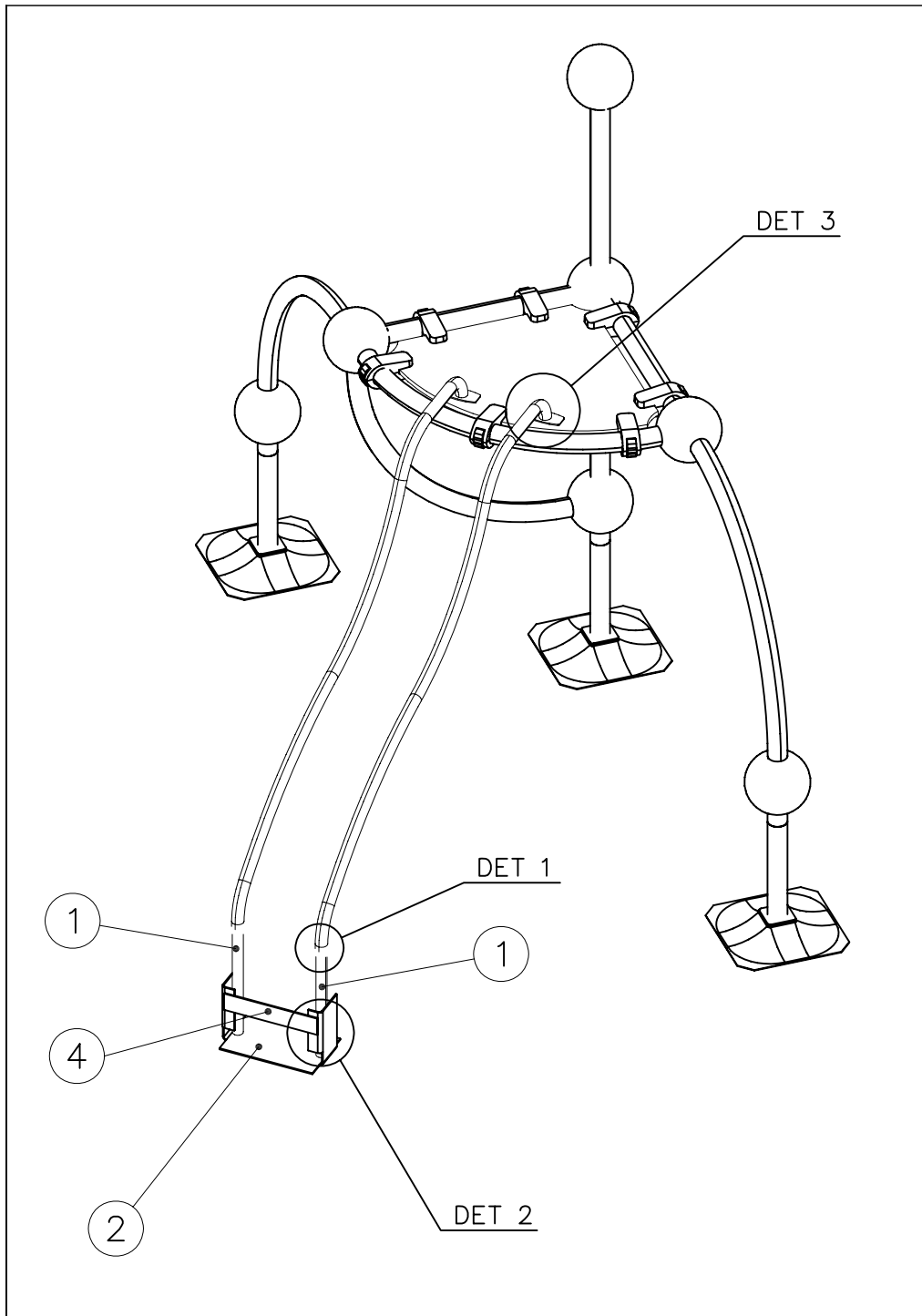
DET 3


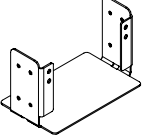
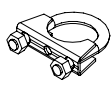
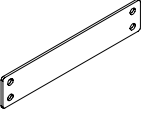
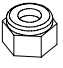

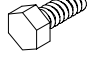


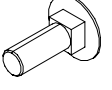




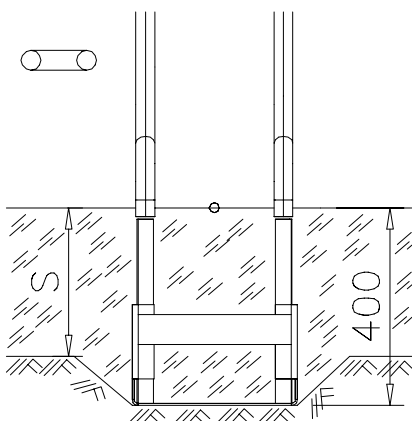
① 702154	PCS	② 902195	PCS
	1		8
		150*50*50	
③ 902232	PCS	④ 902233	PCS
	4		4
M10x55		M10x30	
⑤ 902273	PCS	⑥ 980161	PCS
	8		8
		M10	
	PCS		PCS
	PCS		PCS
	PCS		PCS



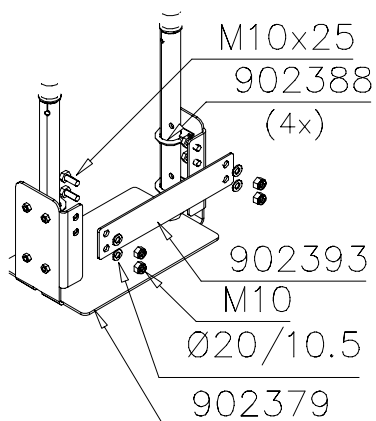


①	902377	PCS	②	902379	PCS
		2			1
③	902388	PCS	④	902393	PCS
		4			1
	Ø35xM8				
⑤	909637	PCS	⑥	909638	PCS
		4			8
	M10			Ø20/10,5	
⑦	909639	PCS	⑧	900965	PCS
		4			4
	M10x25			M10	
⑨	909628	PCS	⑩	902252	PCS
		4			4
	Ø20/10.5			M10x35	
		PCS			PCS

DET 1



DET 2



DET 3

