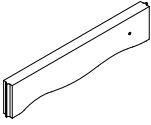
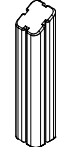
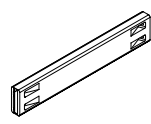



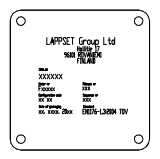
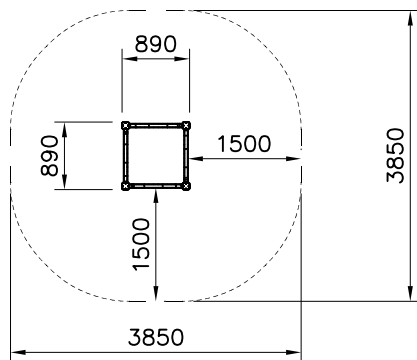


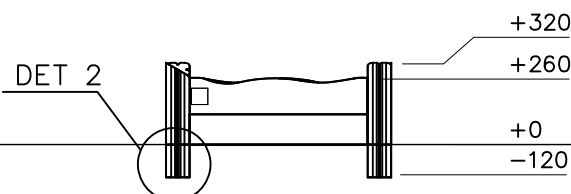
① 705211	PCS	② 705381	PCS
	4		4
L=724		L 450	
③ 706439	PCS	④ 980131	PCS
	4		32
L 704		Ø6x60	
⑤ 905051	PCS	⑥ 909506	PCS
	32		4
Ø24/8.4		Ø3.5x13	
	PCS	⑦ 702286	PCS
			1
		65x65	

----- Falling Space 12.6 m2
Max Falling Height 260 mm

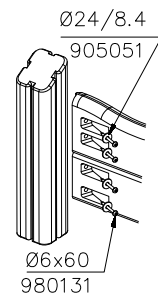
1:100



1:30



DET 1



DET 2

Sand 0.2-2 mm/
Gravel 2-8 mm

