

WINAM GROUP

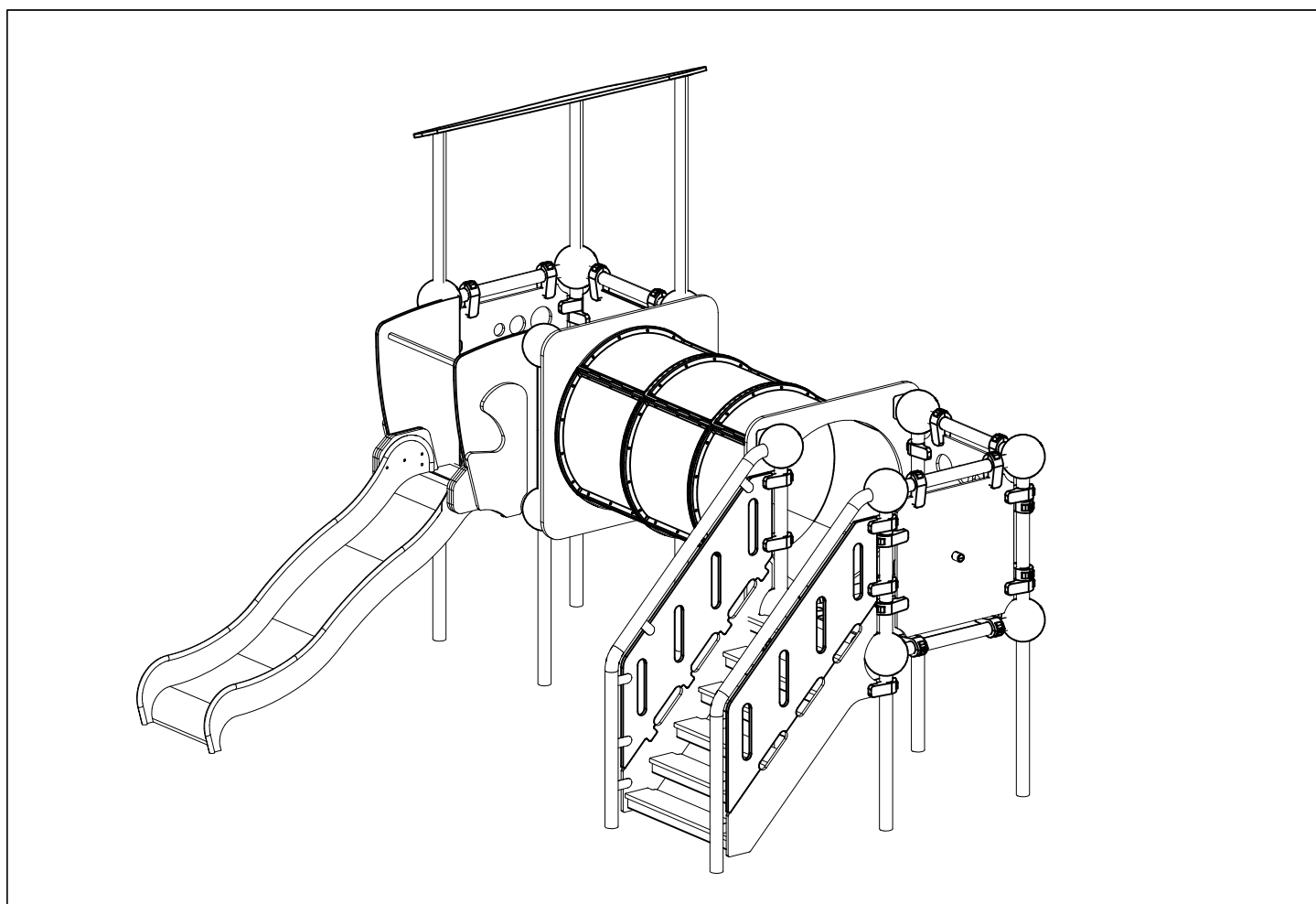
CLOXX

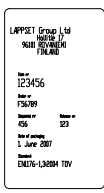
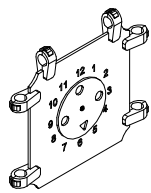
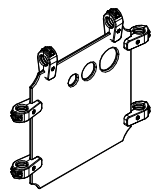
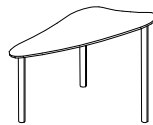
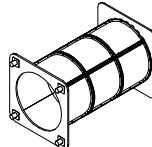
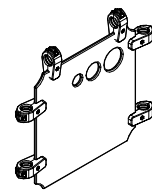

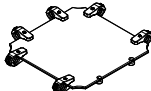
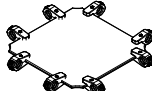
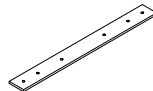
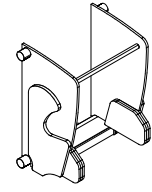
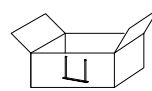
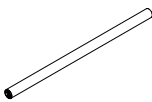
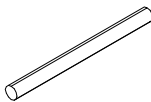
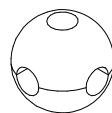
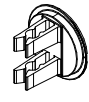

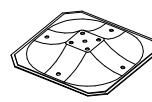
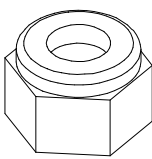
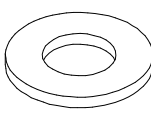
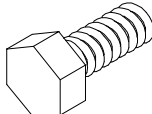
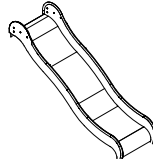


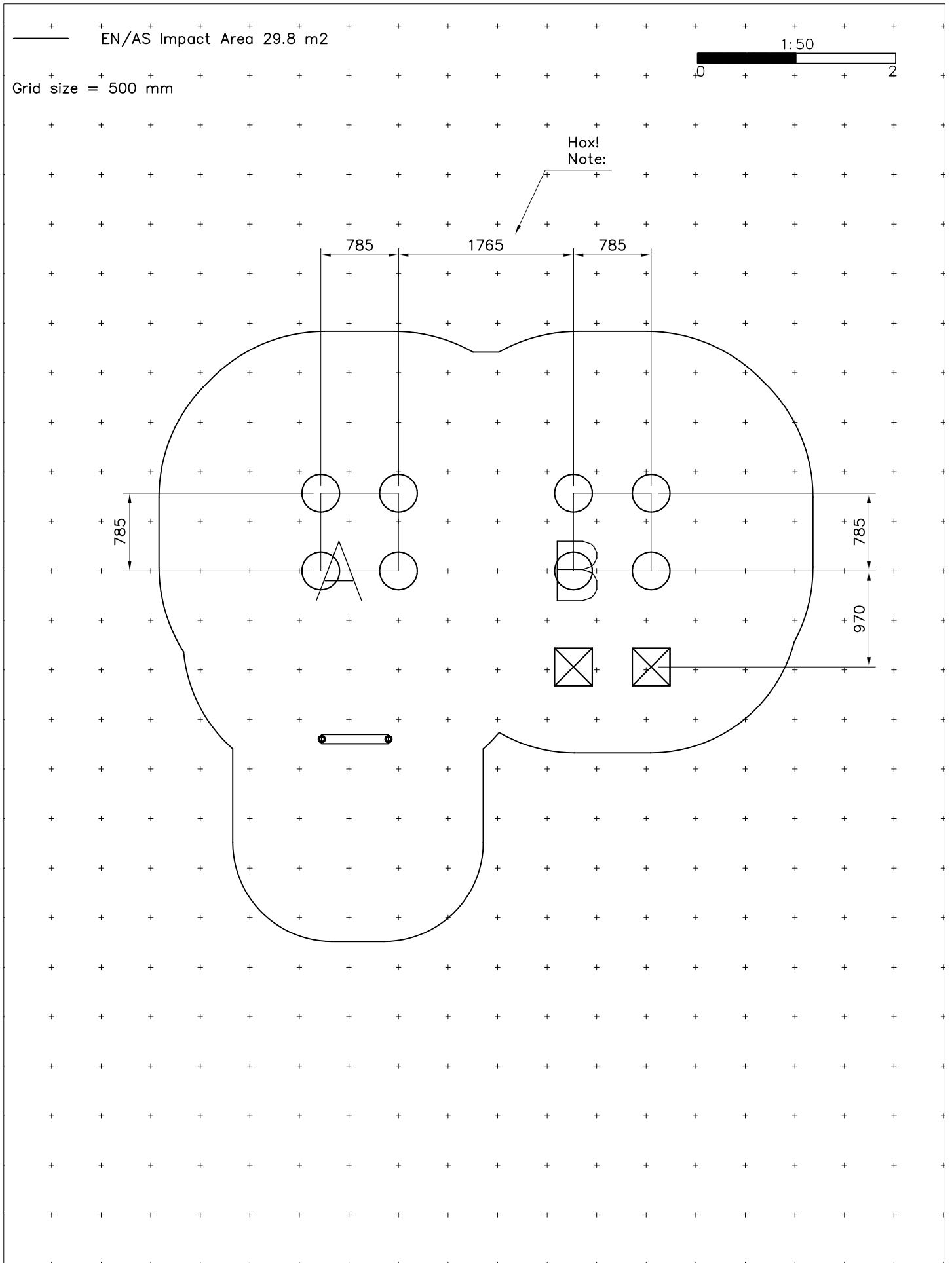
ASENNUSOHJE
MONTERINGSANSVISNING
INSTALLATION INSTRUCTION
AUFBAUANLEITUNG
NOTICE D'INSTALLATION

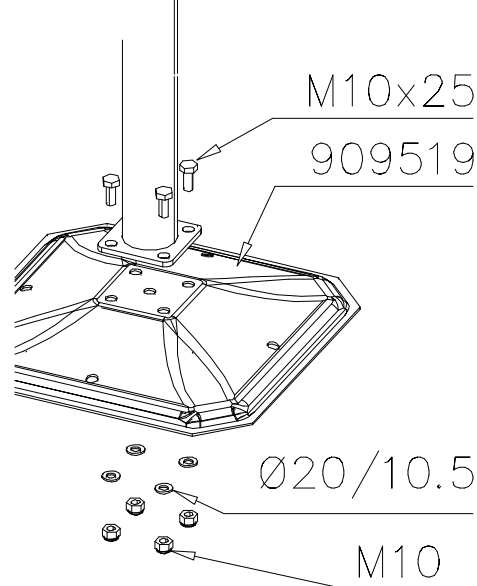
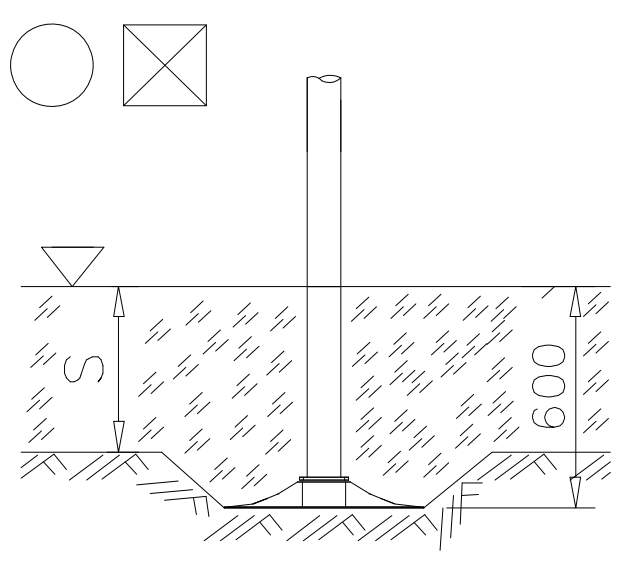
DATE: 25.2.2019

220310

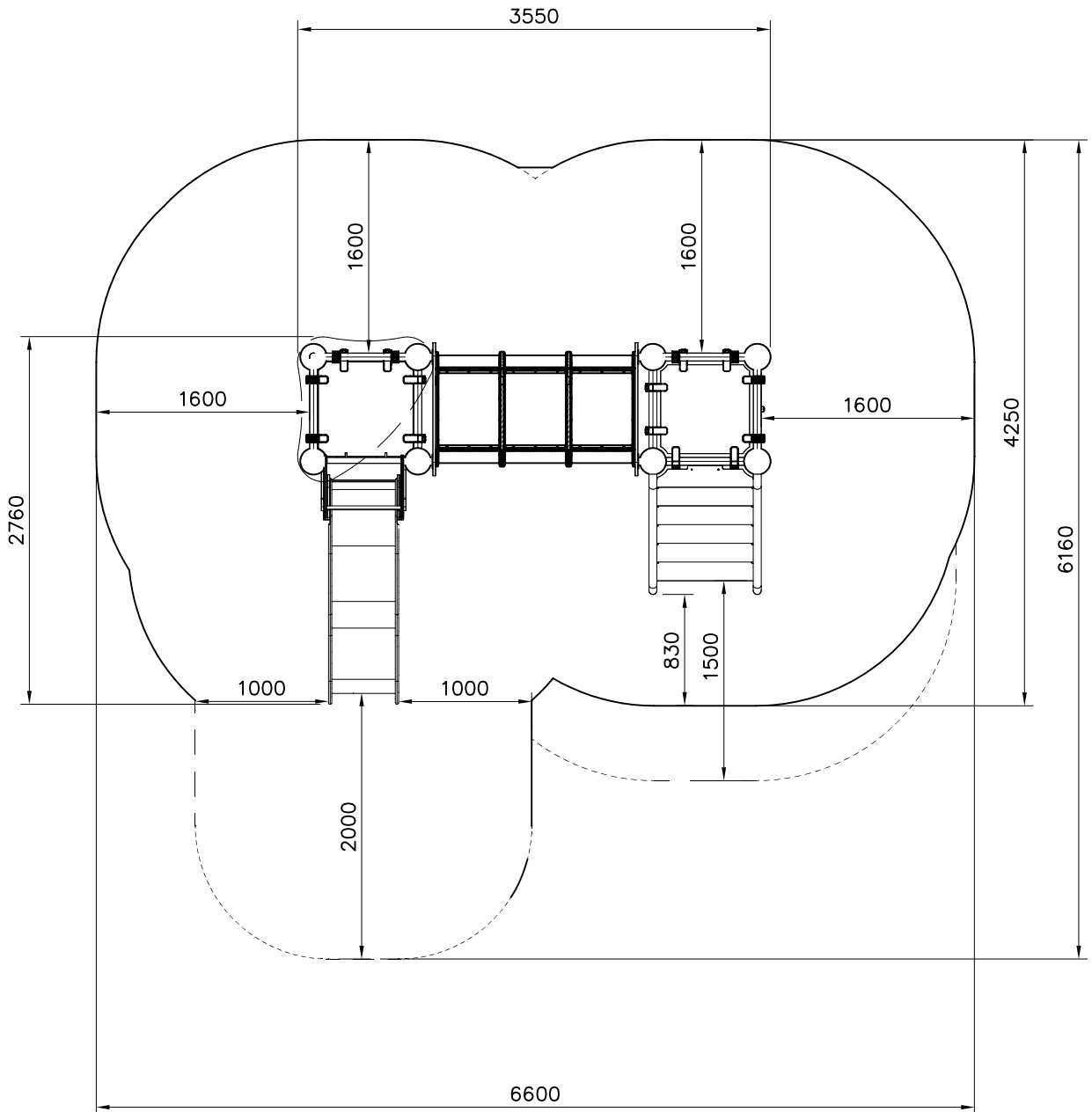
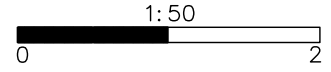


<p>702341</p>  <p>90x50</p>	<p>PCS</p> <p>1</p>	<p>704002</p> 	<p>PCS</p> <p>1</p>	<p>704179</p> 	<p>PCS</p> <p>2</p>	<p>704199</p> 	<p>PCS</p> <p>1</p>	<p>704223</p> 	<p>PCS</p> <p>1</p>	<p>704328</p> 	<p>PCS</p> <p>1</p>
<p>704381</p> 	<p>PCS</p> <p>1</p>	<p>704432</p> 	<p>PCS</p> <p>1</p>	<p>704443</p> 	<p>PCS</p> <p>1</p>	<p>707133</p>  <p>10x80x745</p>	<p>PCS</p> <p>1</p>	<p>708858</p> 	<p>PCS</p> <p>1</p>	<p>709045</p> 	<p>PCS</p> <p>1</p>
<p>901868</p>  <p>Ø34x598</p>	<p>PCS</p> <p>2</p>	<p>902022</p>  <p>L 710</p>	<p>PCS</p> <p>10</p>	<p>902134</p> 	<p>PCS</p> <p>16</p>	<p>902157</p>  <p>60x60x2</p>	<p>PCS</p> <p>33</p>	<p>904505</p>  <p>L 2137</p>	<p>PCS</p> <p>8</p>	<p>909519</p>  <p>380x380</p>	<p>PCS</p> <p>8</p>
<p>909637</p>  <p>M10</p>	<p>PCS</p> <p>32</p>	<p>909638</p>  <p>Ø20/10.5</p>	<p>PCS</p> <p>64</p>	<p>909639</p>  <p>M10x25</p>	<p>PCS</p> <p>32</p>	<p>909708</p>  <p>+870</p>	<p>PCS</p> <p>1</p>		<p>PCS</p>		<p>PCS</p>
	<p>PCS</p>		<p>PCS</p>		<p>PCS</p>		<p>PCS</p>		<p>PCS</p>		<p>PCS</p>
	<p>PCS</p>		<p>PCS</p>		<p>PCS</p>		<p>PCS</p>		<p>PCS</p>		<p>PCS</p>
	<p>PCS</p>		<p>PCS</p>		<p>PCS</p>		<p>PCS</p>		<p>PCS</p>		<p>PCS</p>

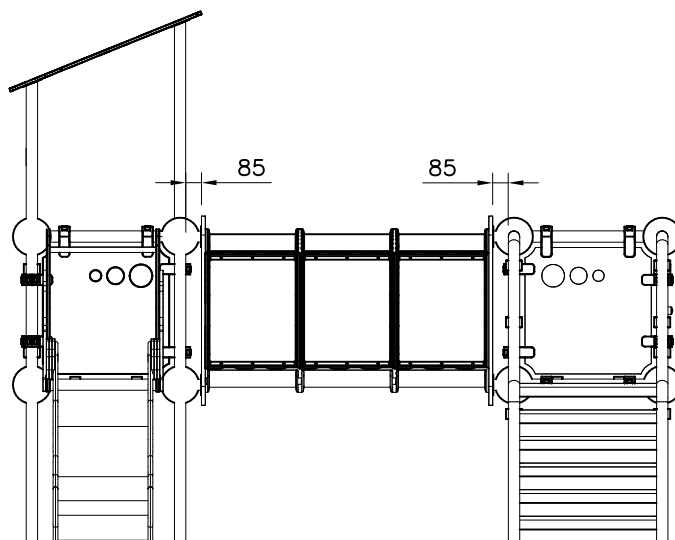


 <p>M10x25 909519</p> <p>Ø20/10.5 M10</p>	 <p>600</p>

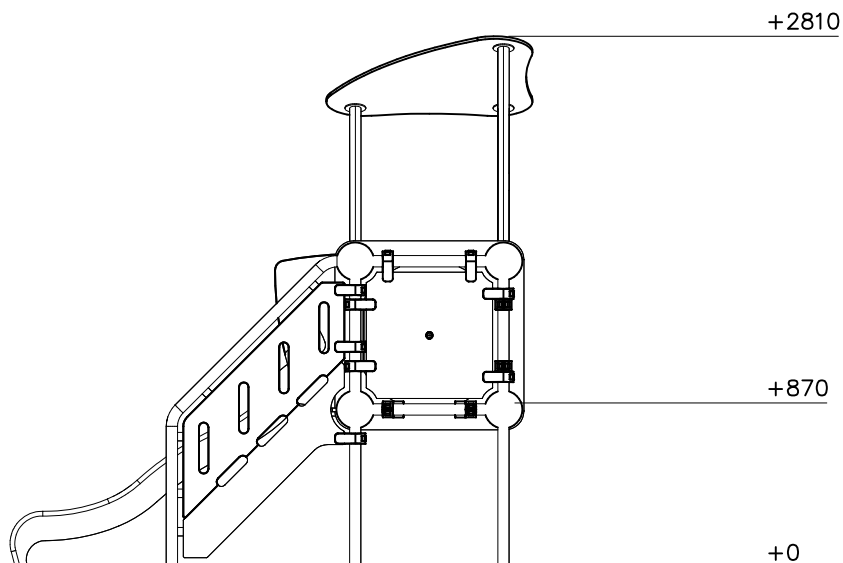
- EN/AS Impact Area 29.8 m²
- ==== Falling Space 31.6 m²
Max Falling Height 1000 mm

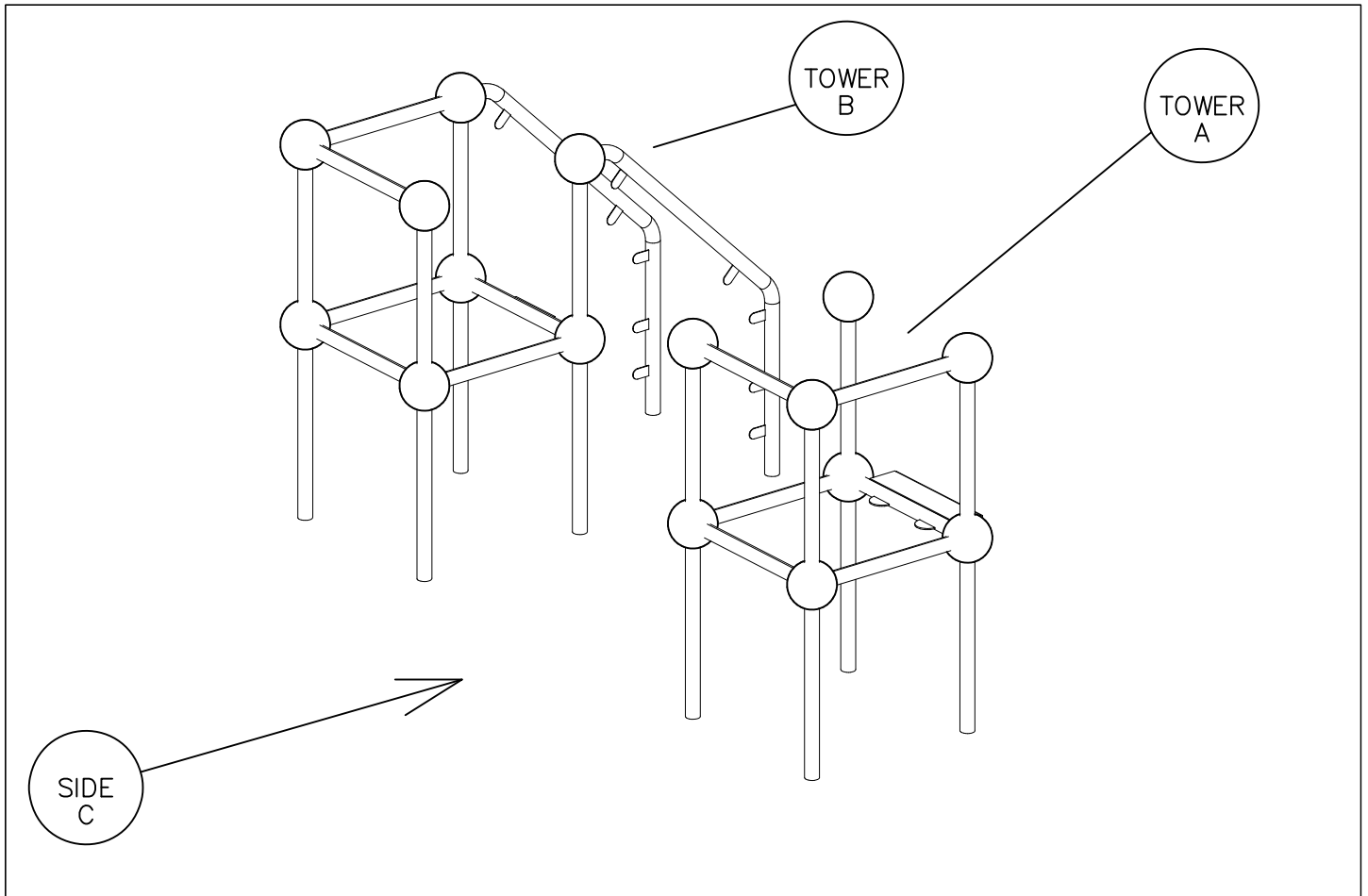
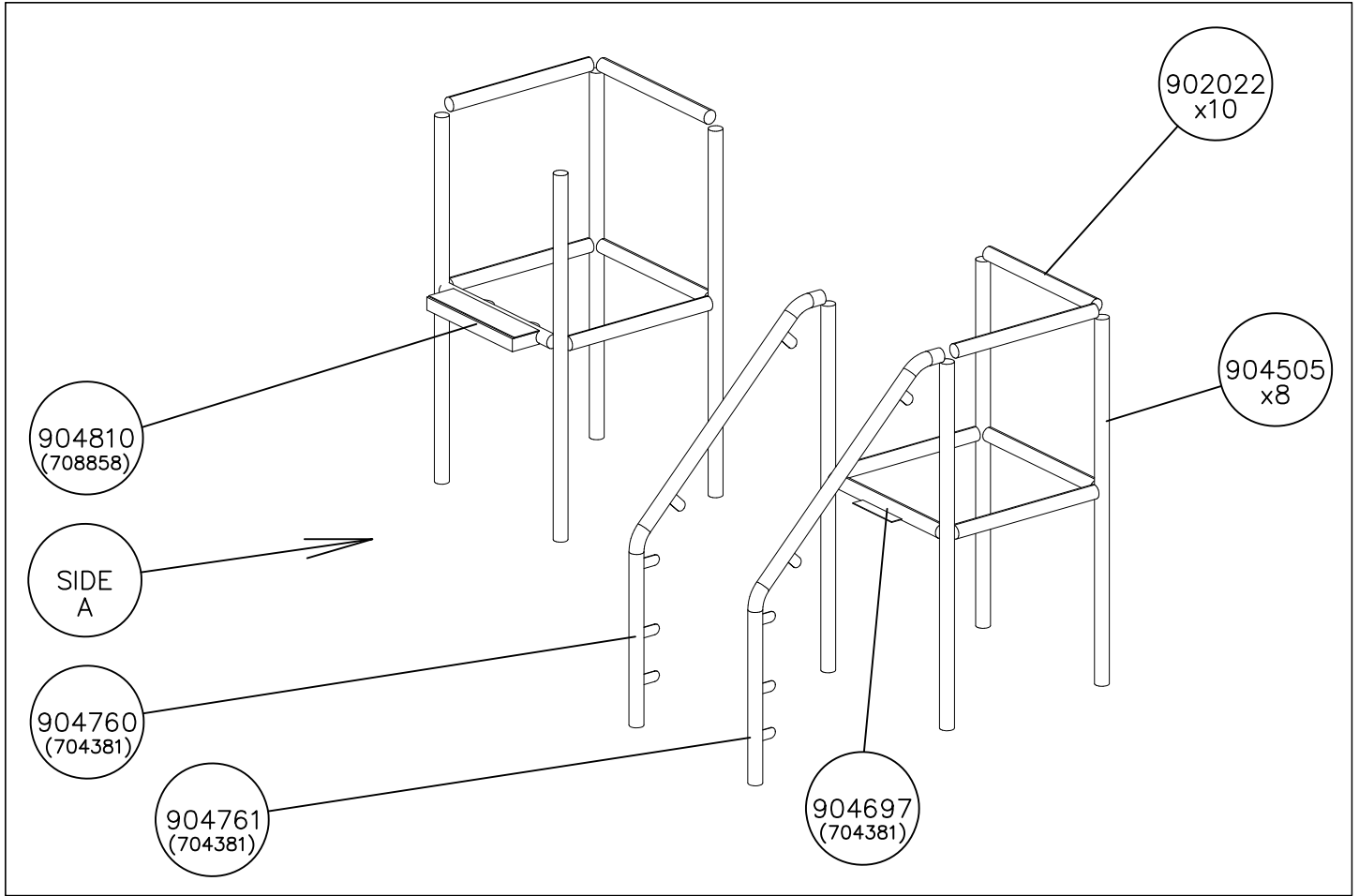


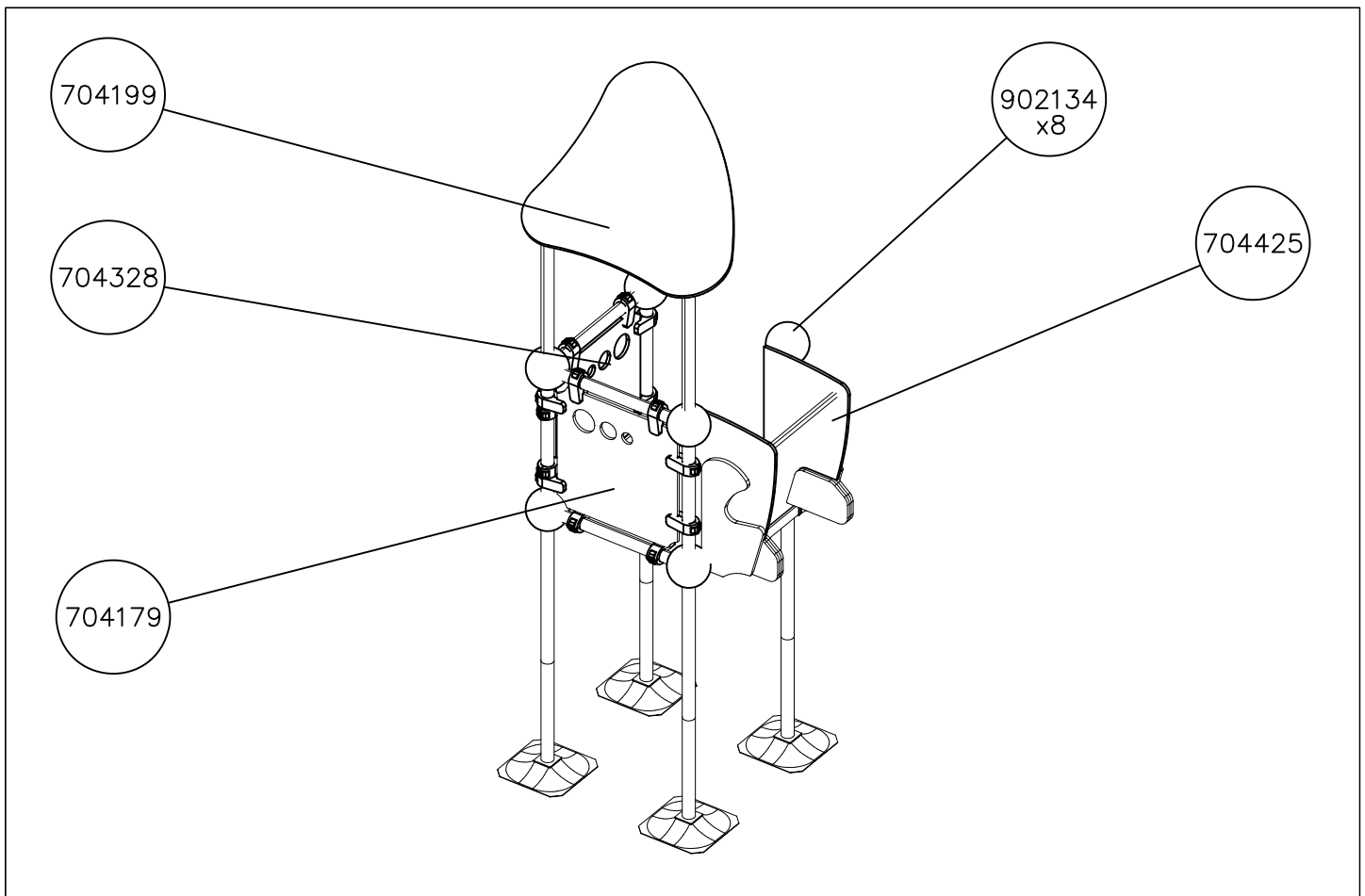
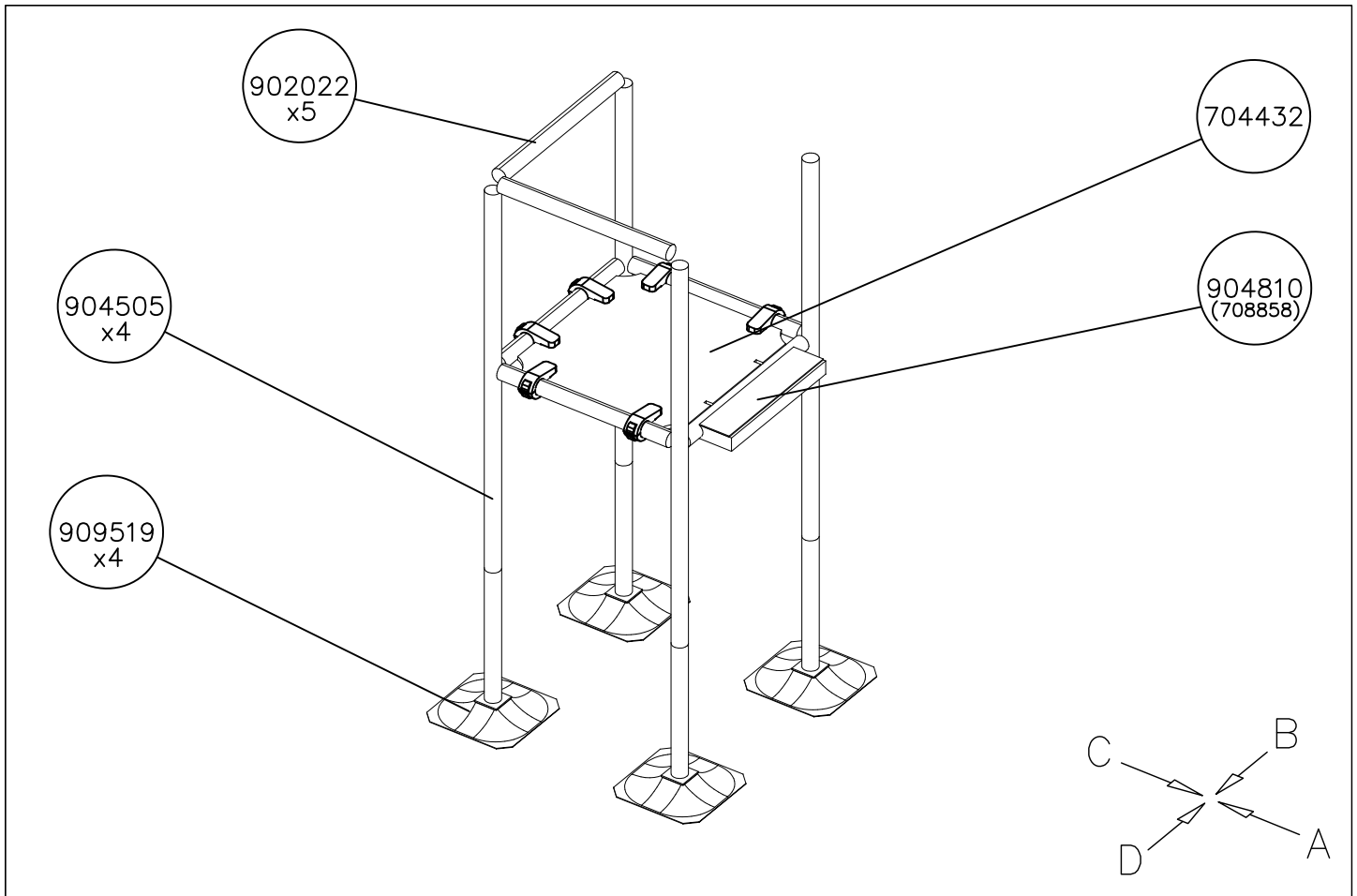
1:40



1:40

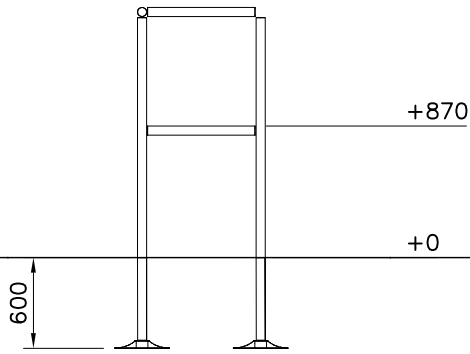




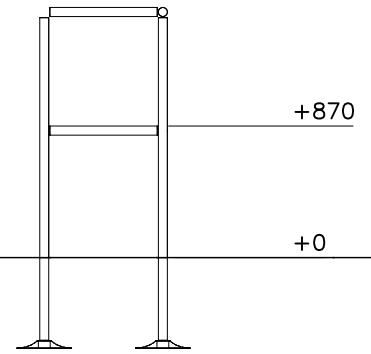


1:50

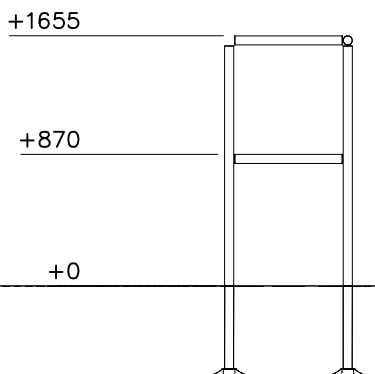
(A)



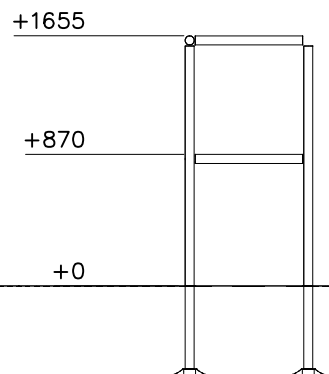
(B)

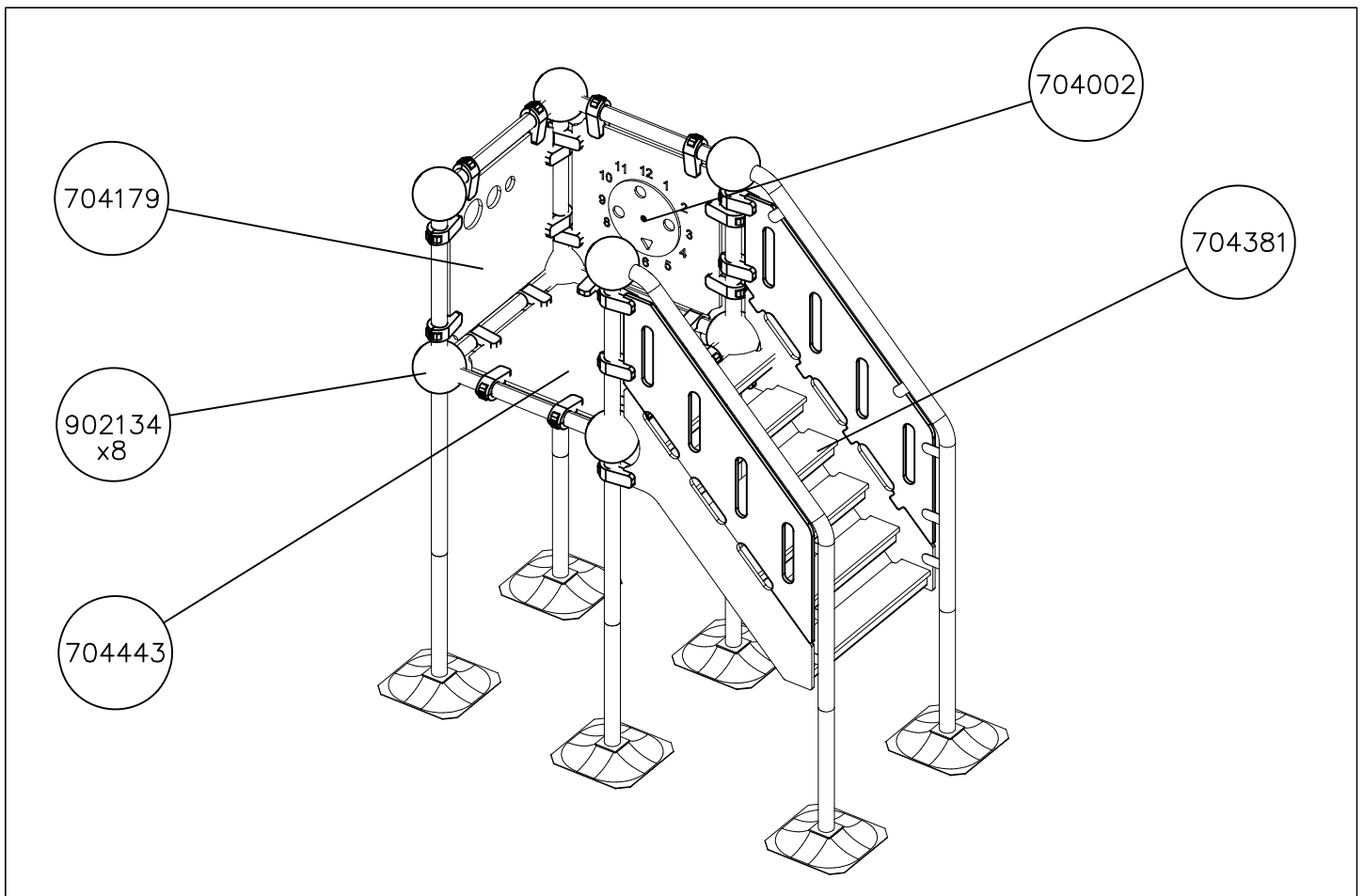
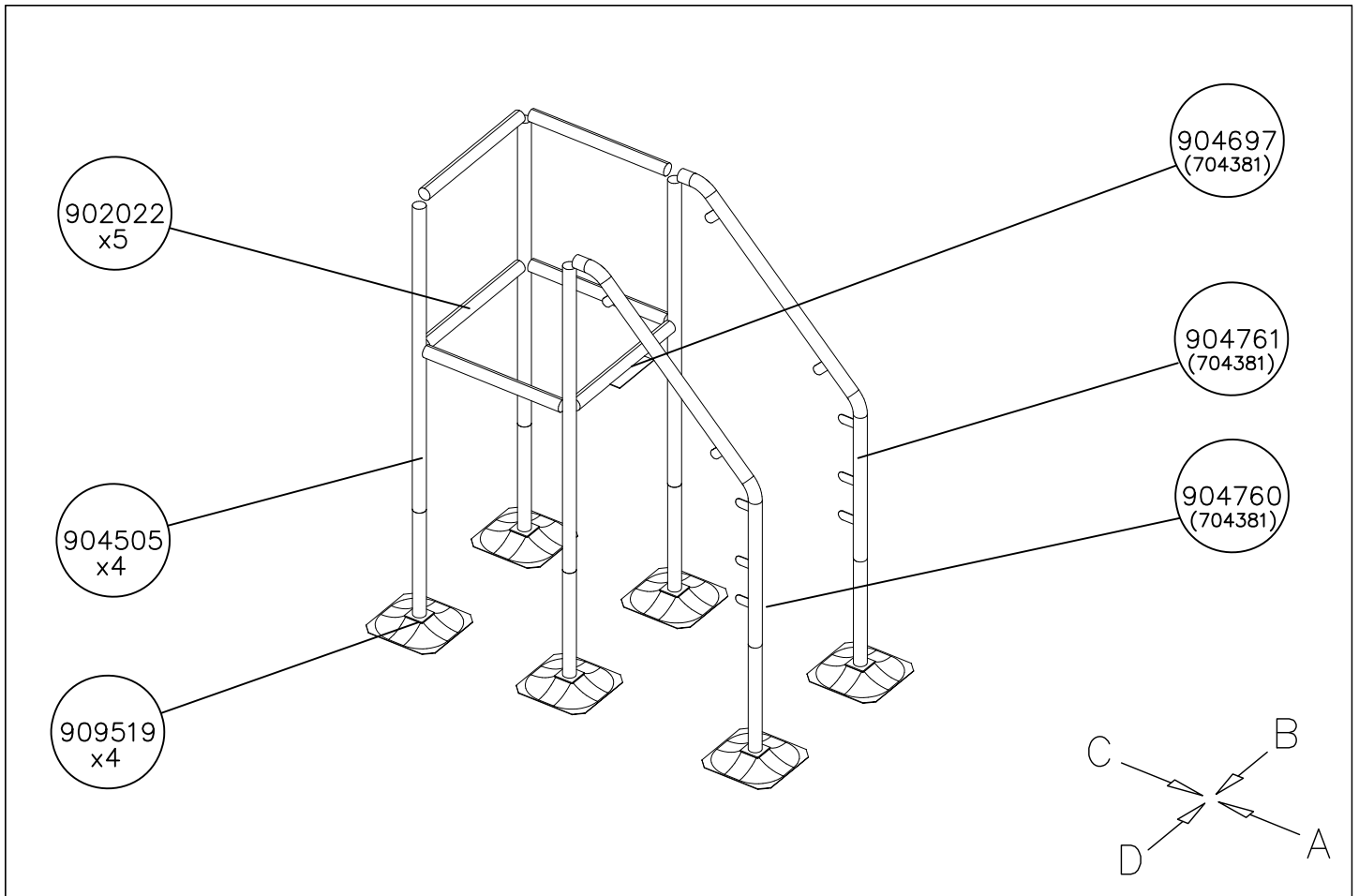


(C)



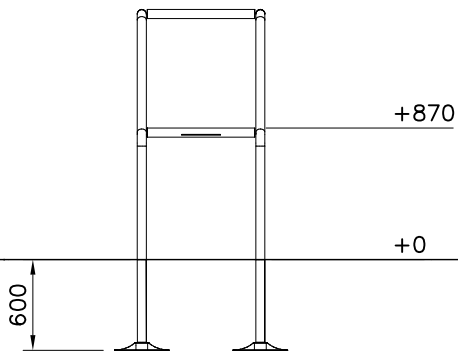
(D)



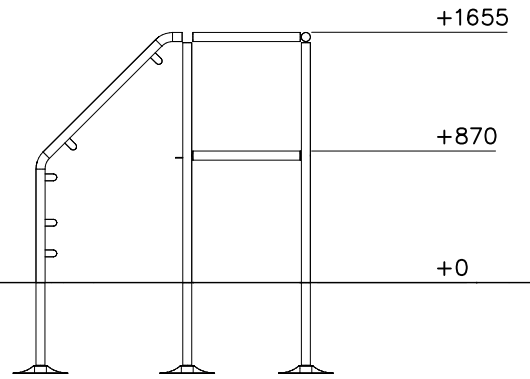


1: 50

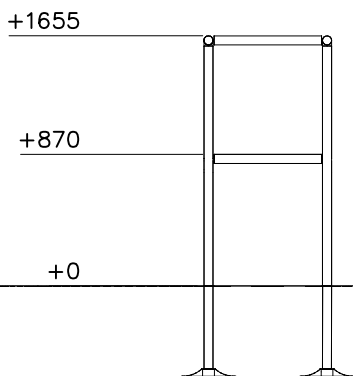
(A)



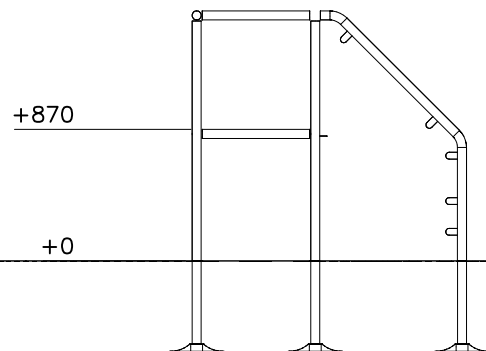
(B)

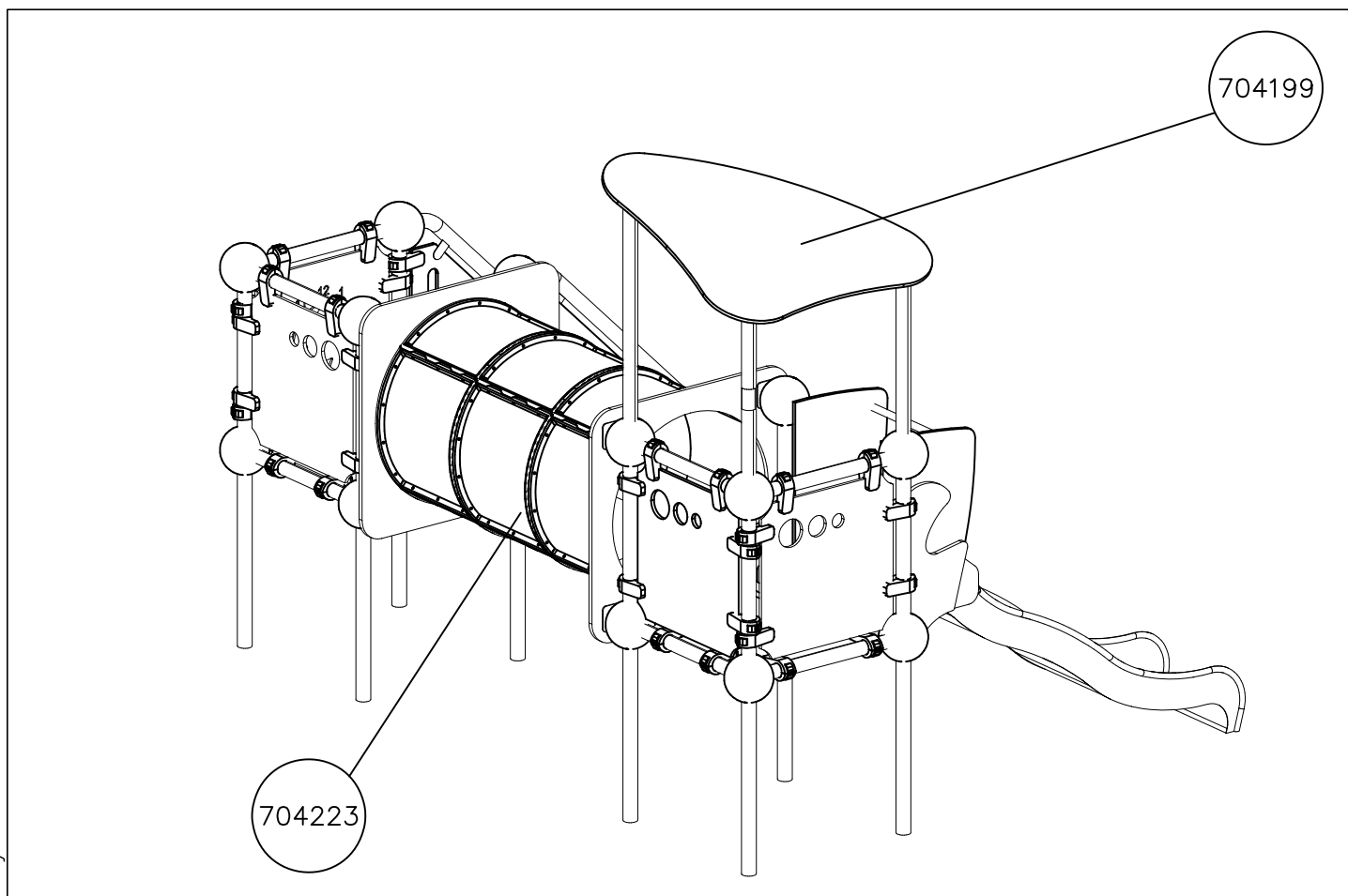
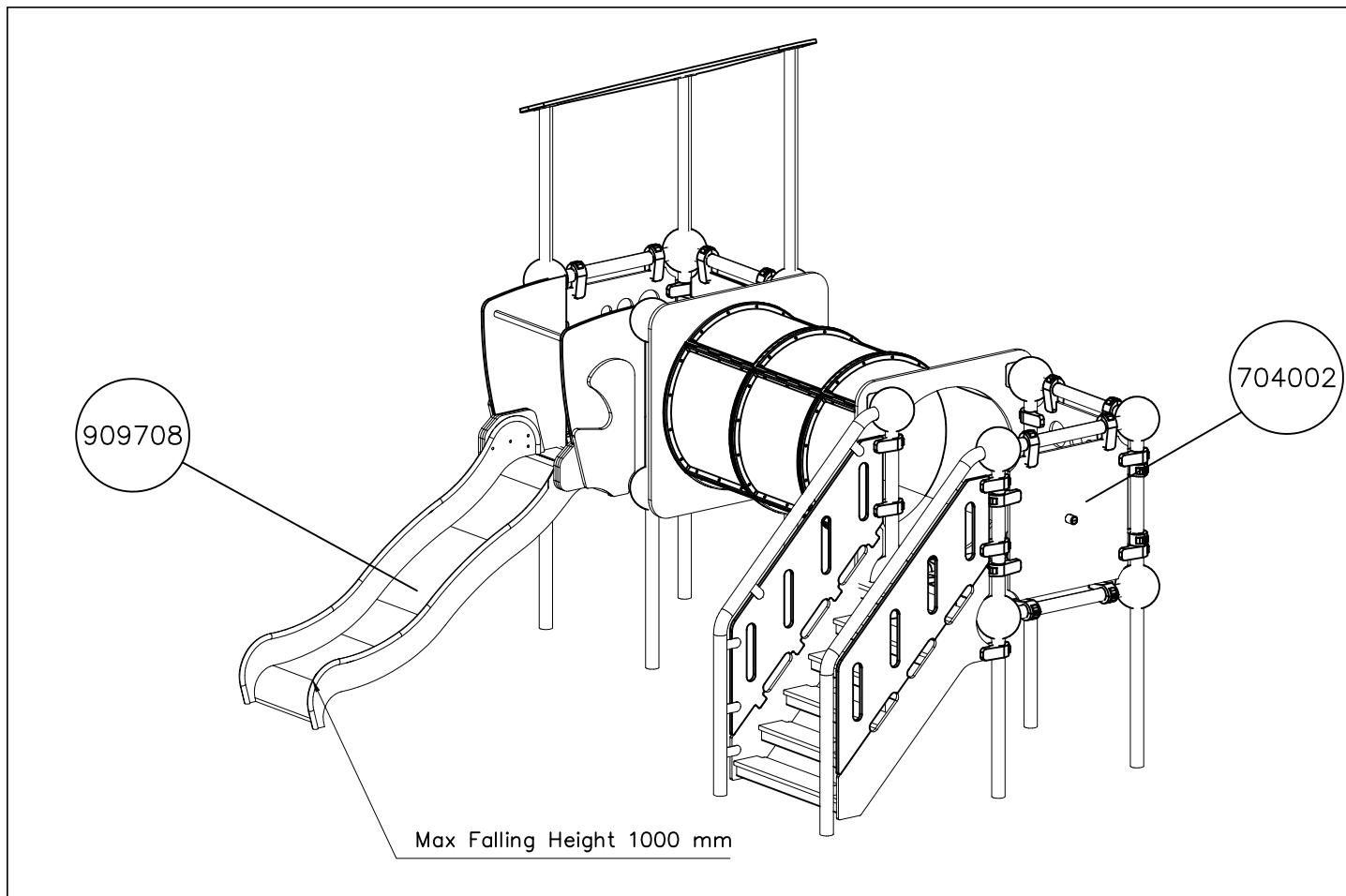


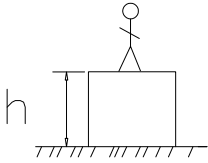



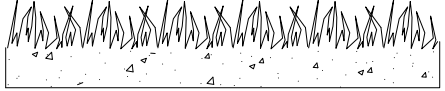
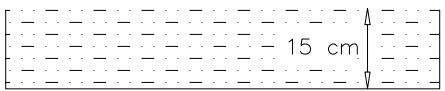
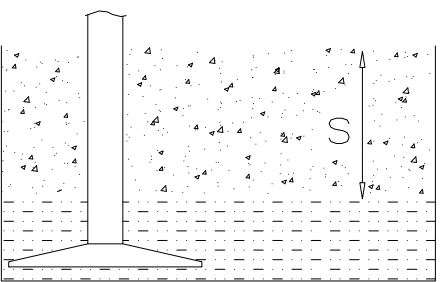
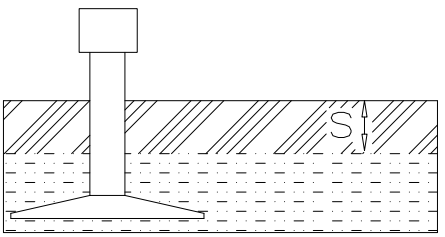
(C)



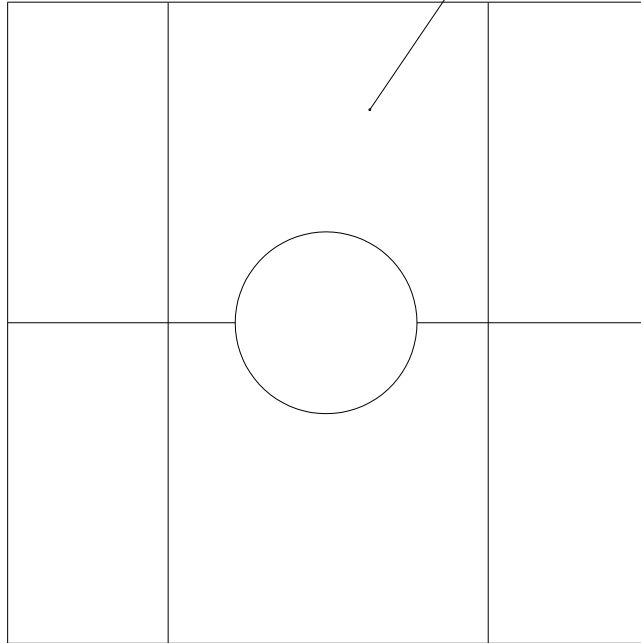
(D)



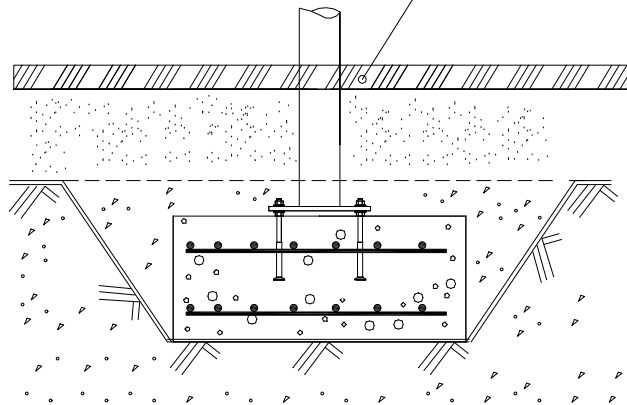


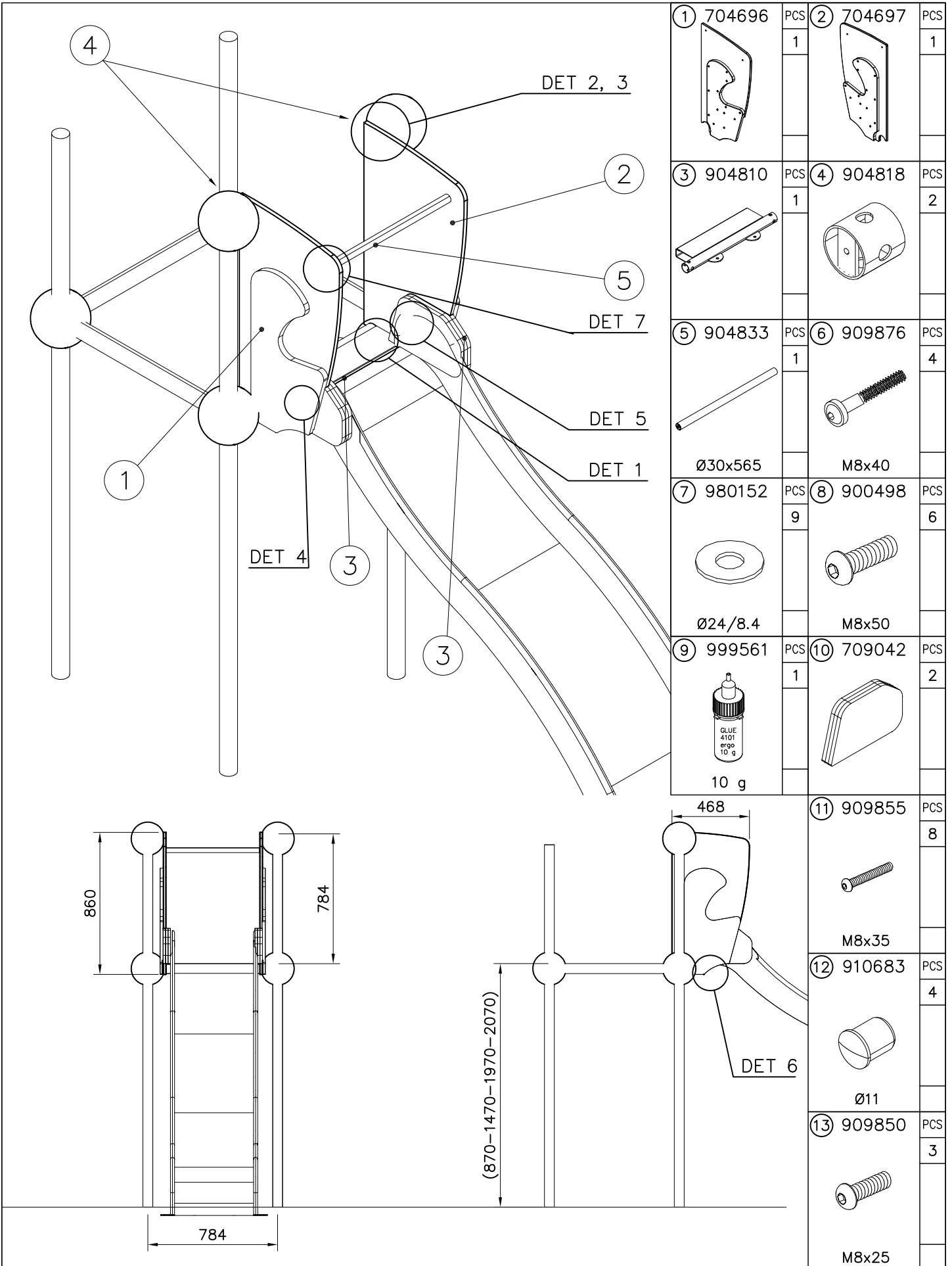
												
<p>$h < 600$</p> <p>Without movement and therefore without Impact Area</p>	<p>Totally hard surfaces.</p> <p>Note. Lappset does <u>not recommend</u> totally hard surfaces at all.</p>	<p>E.g. concrete or asphalt</p> 										
<p>$h < 600$</p> <p>With movement e.g. rocking</p>	<p>Materials with very limited impact attenuating properties.</p>	<p>E.g. wood</p> 										
<p>$h < 1000$</p>	<p>Materials with significant impact attenuating properties.</p>	<p>fine gravel 0–8 mm</p>  <p>grass</p>  <p>unsorted sand</p> 										
<p>$h < 3000$</p>	<p>Loose fill material</p> <p>E.g. sand/gravel 0,25...8 mm D60/D10<3,0 Woodchips 5...30 mm bark 20...80 mm</p>	 <table data-bbox="1021 1691 1324 1792"> <tr> <td>\underline{S}</td> <td>\underline{h}</td> </tr> <tr> <td>30 cm</td> <td>< 2,0 m</td> </tr> <tr> <td>40 cm</td> <td>< 3,0 m</td> </tr> </table>	\underline{S}	\underline{h}	30 cm	< 2,0 m	40 cm	< 3,0 m				
\underline{S}	\underline{h}											
30 cm	< 2,0 m											
40 cm	< 3,0 m											
	<p>Syntethic granulates</p> <table data-bbox="399 1892 750 2060"> <tr> <td>\underline{S}</td> <td>\underline{h}</td> </tr> <tr> <td>40 mm</td> <td>~> 1,2...1,3 m</td> </tr> <tr> <td>50 mm</td> <td>~> 1,5...1,7 m</td> </tr> <tr> <td>60 mm</td> <td>~> 1,8...2,0 m</td> </tr> <tr> <td>70 mm</td> <td>~> 2,1...2,5 m</td> </tr> </table> <p>Note. For accurate values, see manufacturer's instructions.</p>	\underline{S}	\underline{h}	40 mm	~> 1,2...1,3 m	50 mm	~> 1,5...1,7 m	60 mm	~> 1,8...2,0 m	70 mm	~> 2,1...2,5 m	
\underline{S}	\underline{h}											
40 mm	~> 1,2...1,3 m											
50 mm	~> 1,5...1,7 m											
60 mm	~> 1,8...2,0 m											
70 mm	~> 2,1...2,5 m											

REMOVE SAFETY SURFACE/SAND/GRAVEL
TO CHECK FOUNDATION



REMOVE SAFETY SURFACE/SAND/GRAVEL
TO CHECK FOUNDATION



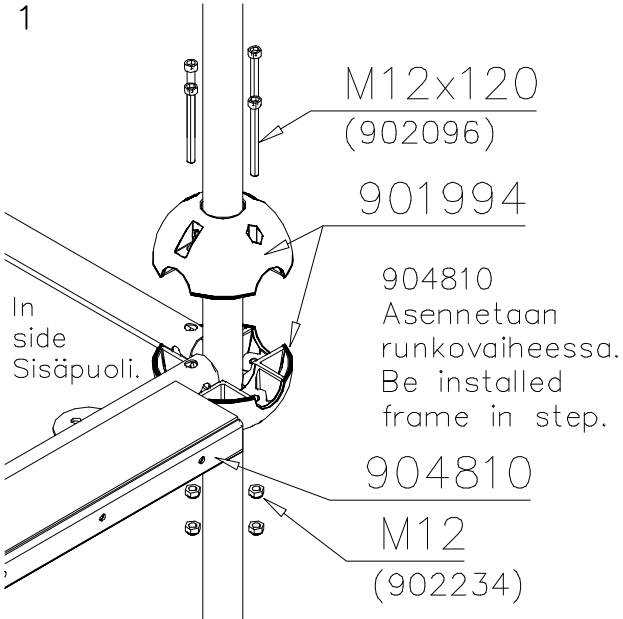
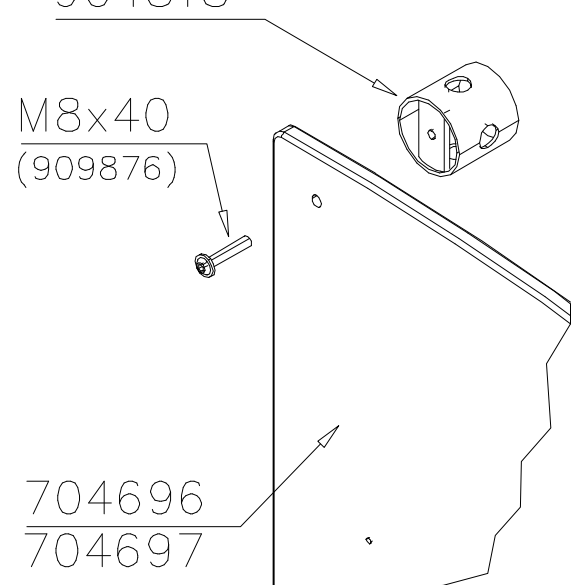
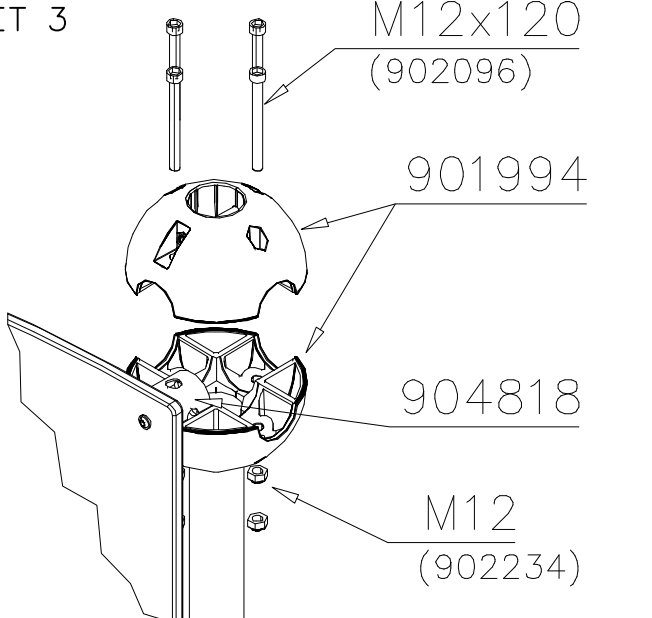
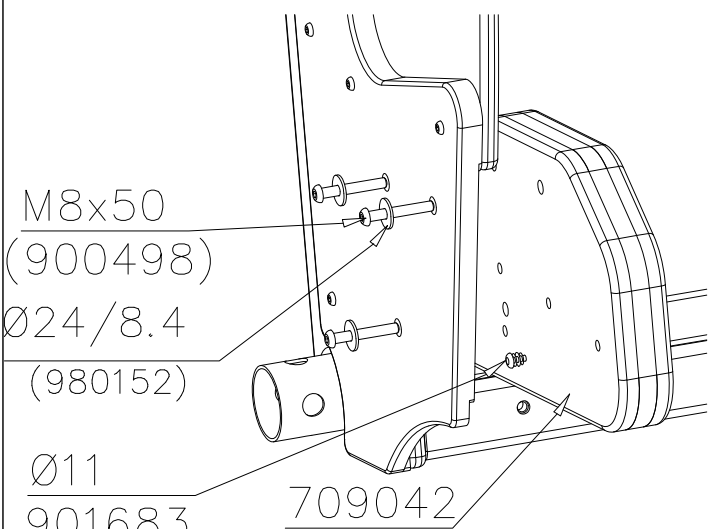
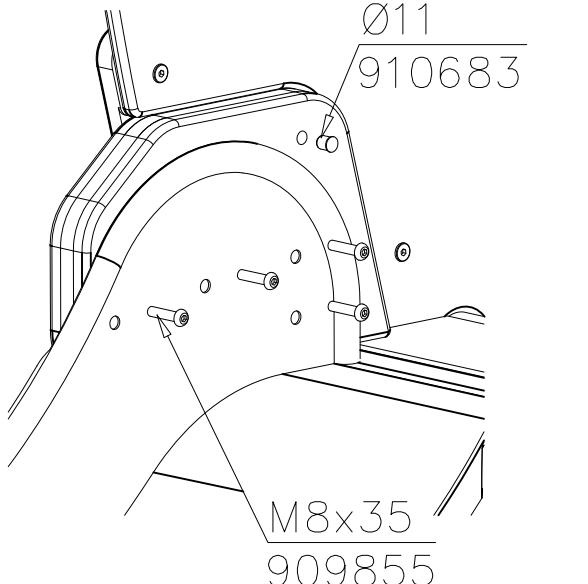
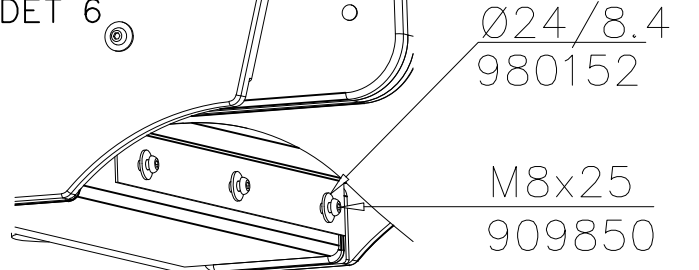
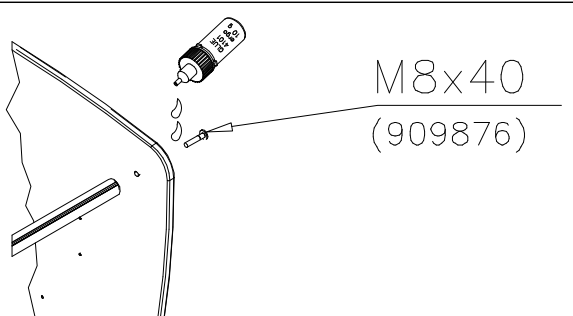


Exploded view diagram of playground equipment assembly. Callouts 1-13 identify parts. Detail labels DET 1-7 indicate specific assembly points. Dimensions are provided for various parts and overall structure.

Part No.	Quantity (PCS)	Part No.	Quantity (PCS)
① 704696	1	② 704697	1
③ 904810	1	④ 904818	2
⑤ 904833	1	⑥ 909876	4
⑦ 980152	9	⑧ 900498	6
⑨ 999561	1	⑩ 709042	2
⑪ 909855	8	⑫ 910683	4
⑬ 909850	3		

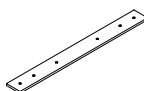



Dimensions:

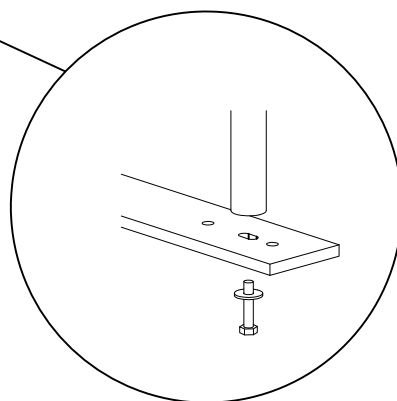
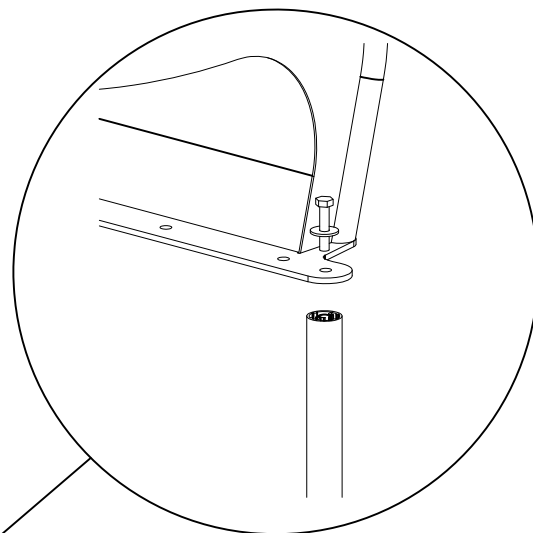
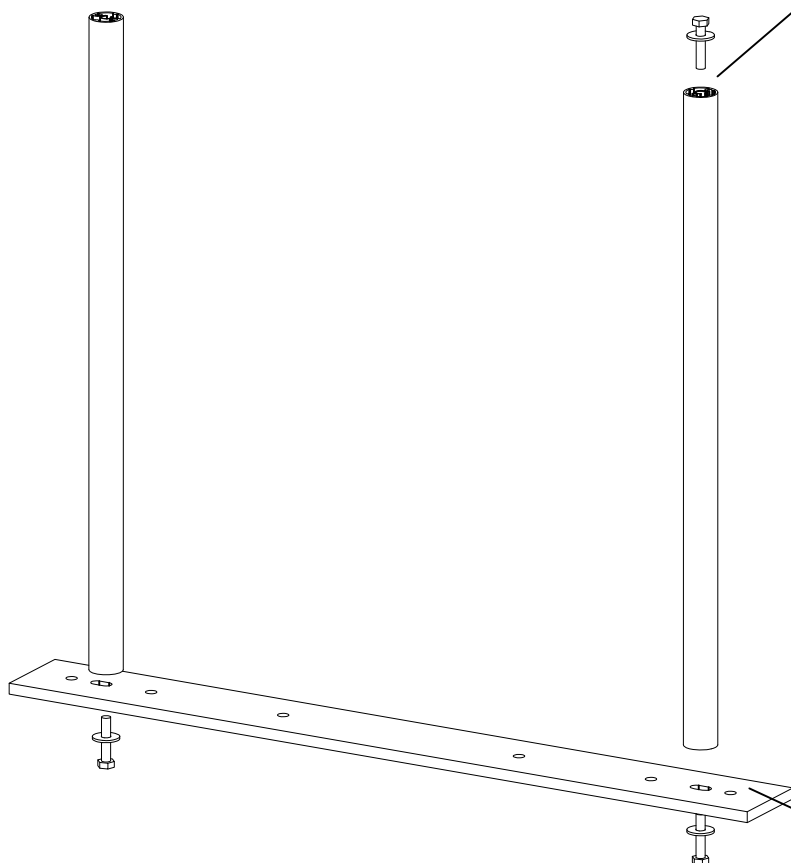
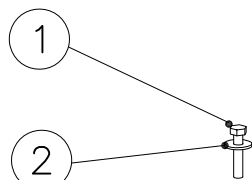
- 860 (Vertical dimension)
- 784 (Vertical dimension)
- 784 (Horizontal dimension)
- 468 (Horizontal dimension)
- (870-1470-1970-2070) (Vertical dimension range)

<p>DET 1</p>  <p>M12x120 (902096)</p> <p>901994</p> <p>904810 Asennetaan runkovaiheessa. Be installed frame in step.</p> <p>In side Sisäpuoli.</p> <p>904810</p> <p>M12 (902234)</p>	<p>DET 2 904818</p>  <p>M8x40 (909876)</p> <p>704696 704697</p>
<p>DET 3</p>  <p>M12x120 (902096)</p> <p>901994</p> <p>904818</p> <p>M12 (902234)</p>	<p>DET 4</p>  <p>M8x50 (900498)</p> <p>Ø24/8.4 (980152)</p> <p>Ø11 901683</p> <p>709042</p>
<p>DET 5</p>  <p>Ø11 910683</p> <p>M8x35 909855</p>	<p>DET 6</p>  <p>Ø24/8.4 980152</p> <p>M8x25 909850</p>
	<p>DET 7</p>  <p>M8x40 (909876)</p>

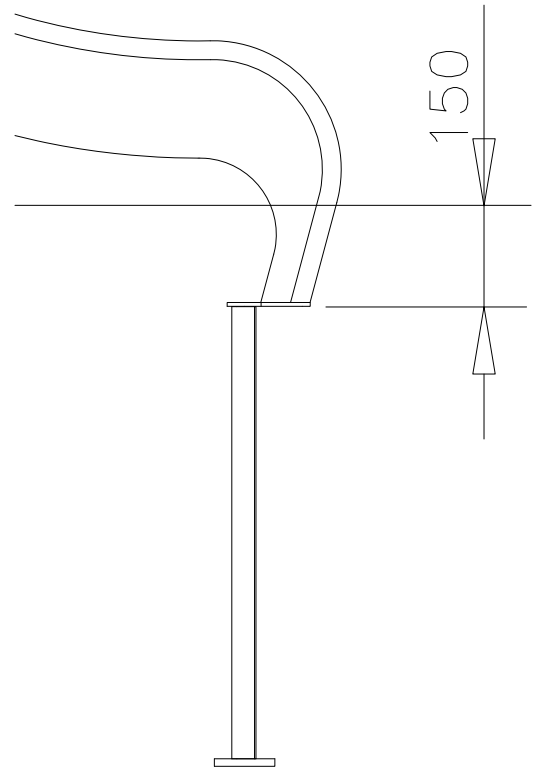
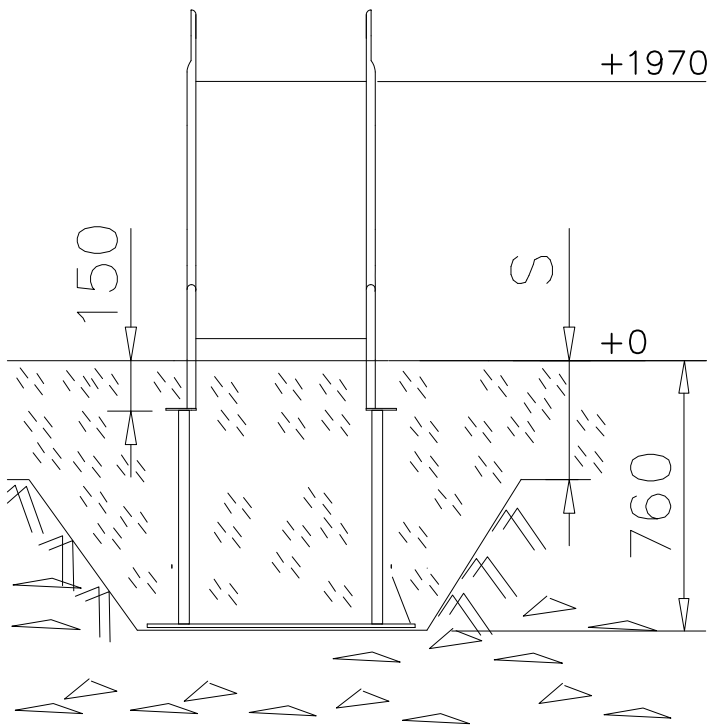
DEEP FOUNDATION

DATE: 11.2.2019

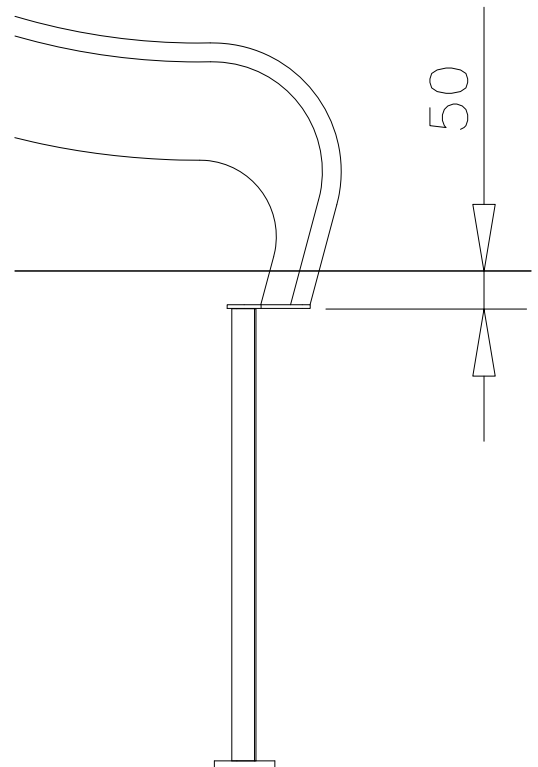
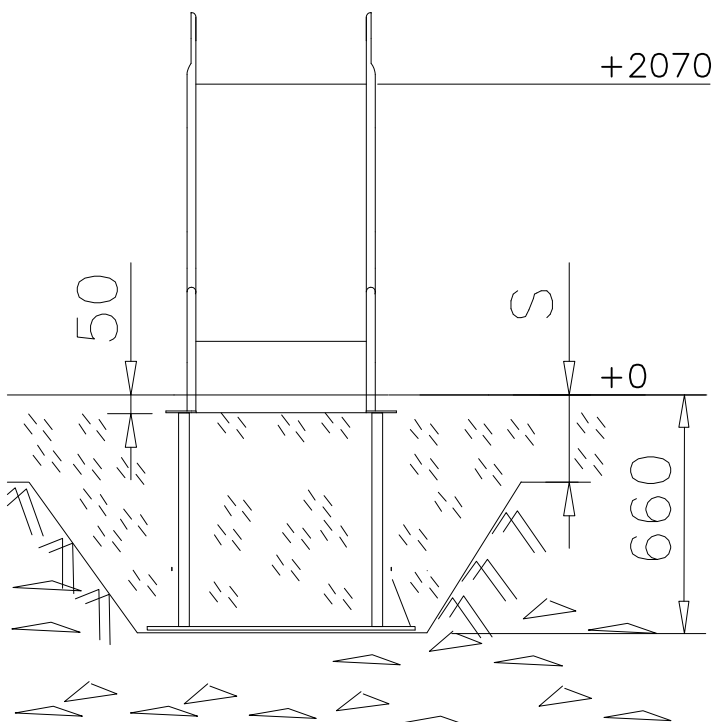
○ 707133	PCS	○ 901868	PCS	① 909210	PCS	② 905051	PCS
	1		2		4		4
							
10x80x745		Ø30x598		M8x40		Ø24/8.4	

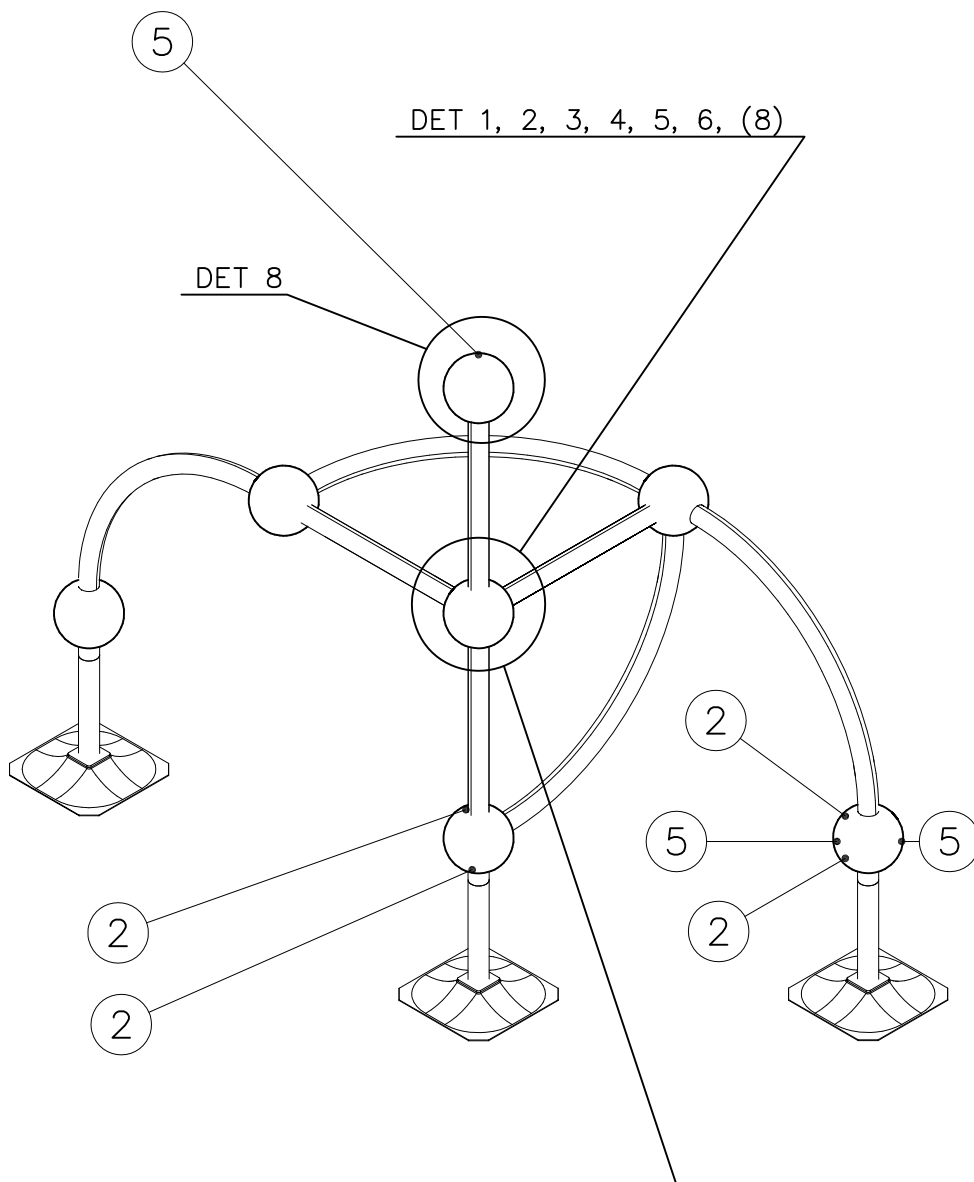


Floor level +1970

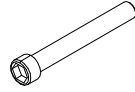

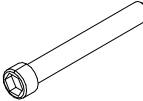



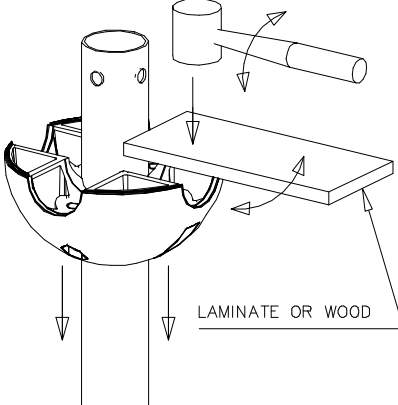
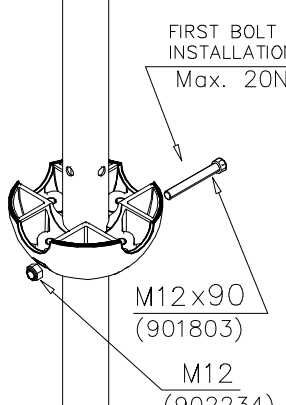
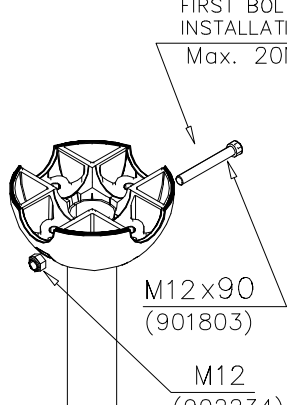
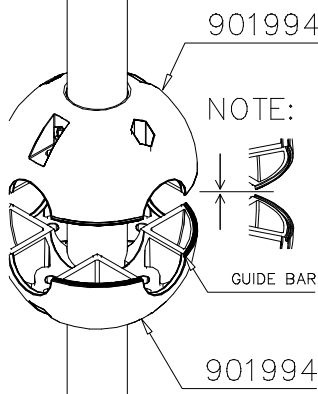
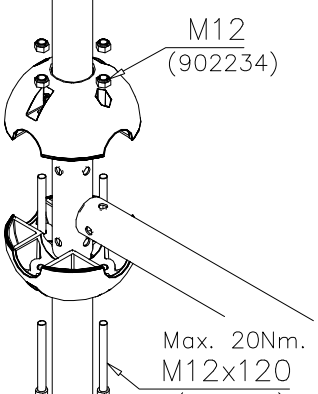
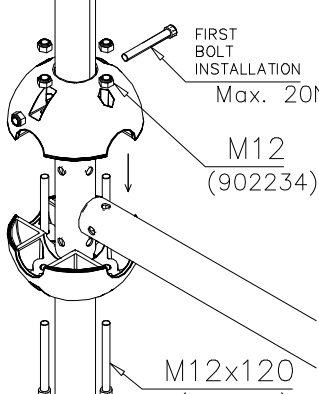
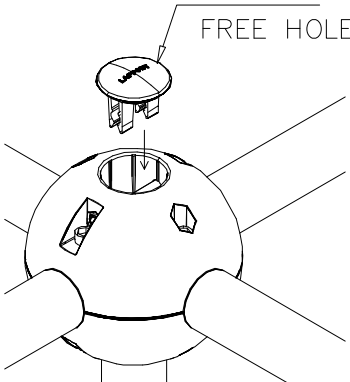

Floor level +2070

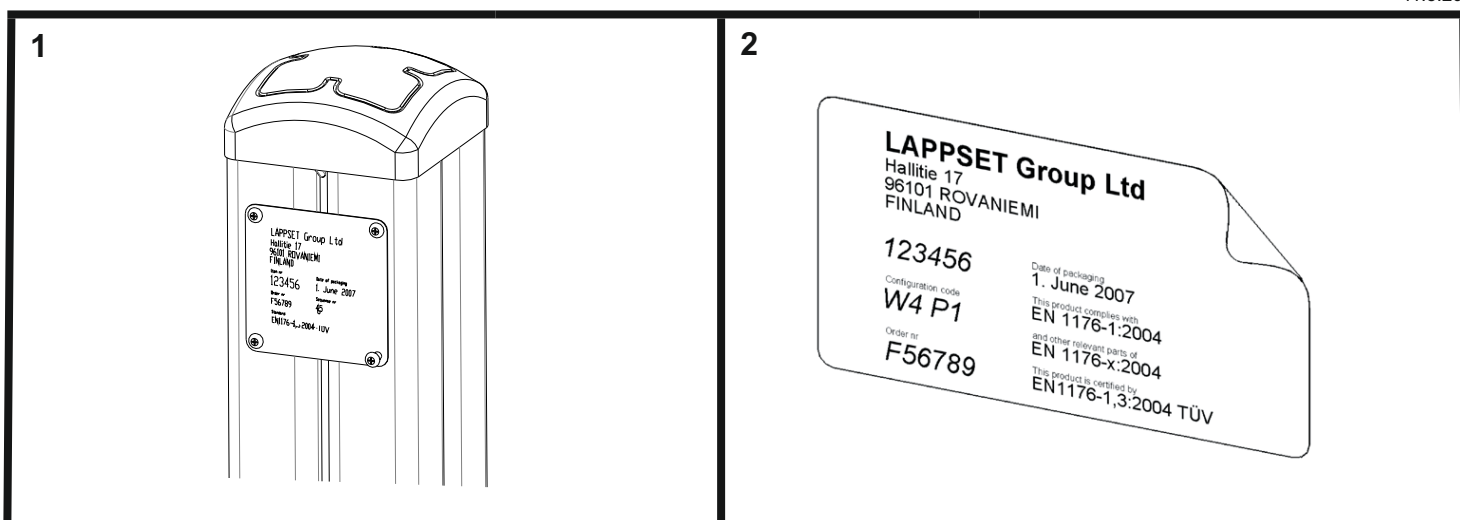




DO NOT TIGHTEN THE JOINTS UNTIL THE STRUCTURE IS COMPLETE.

① 901803	PCS	② 901994	PCS
	2		2
M12x90		Ø190	
③ 902096	PCS	④ 902234	PCS
	4		6
M12x120		M12	
	PCS		PCS
	PCS		PCS
	PCS		PCS
	PCS		PCS
	PCS		PCS
	PCS		PCS

<p>DET 1</p>  <p>LAMINATE OR WOOD</p>	<p>DET 2</p>  <p>FIRST BOLT INSTALLATION Max. 20Nm.</p> <p>M12x90 (901803)</p> <p>M12 (902234)</p>	<p>DET 3</p>  <p>FIRST BOLT INSTALLATION Max. 20Nm.</p> <p>M12x90 (901803)</p> <p>M12 (902234)</p>
<p>DET 4</p>  <p>901994</p> <p>NOTE:</p> <p>GUIDE BAR</p> <p>901994</p>	<p>DET 5</p>  <p>M12 (902234)</p> <p>Max. 20Nm. M12x120 (902096)</p>	<p>DET 6</p>  <p>FIRST BOLT INSTALLATION Max. 20Nm.</p> <p>M12 (902234)</p> <p>M12x120 (902096)</p>
<p>REMEMBER FINAL TIGHTENING</p>	<p>DET 7</p>  <p>902157 or 904747</p> <p>FREE HOLE</p>	<p>DET 8</p>  <p>902157 or 904747</p> <p>FREE HOLE</p>



Tuotekyltti tulee tuotteen mukana yhdellä seuraavista tavoista:

1) Metallinen tuotekyltti ja kiinnitysruuvit

- Kiinnitä tuotekyltti ruuveilla tolppaan noin 2 metrin korkeuteen kuvan 2 mukaisesti.

2) Tuotekylttitarra

- Puhdista maalattu metalli- tai vaneripinta pölystä ja kosteudesta. Liimaa tarra kuvan 3 mukaisesti.
- Huom. Älä kiinnitä tarraa karheapintaiseen laminaattiin tai maalattuun puuhun.

Vår produktmärkning levereras på ett av följande sätt:

1) Produktskylt i metall

- Fäst skylten med de medföljande skruvarna

2) Självhäftande produktetikett

- Rengördenpulverlackerademetallytanellerlaminatytansåttndenblirfrifrånsmutsochfukt.Fästetikettenenligtfig.3.
- Obs! Fäst ej etiketten på detaljer med skrovlig yta eller på målat trä.

Product label is delivered by one of following ways:

1) Metal product label and screws

- Fasten the label with screws.

2) Label sticker

- Cleanthepaintedmetalorplywoodsurfacefromdirtandmoisture.Fastenthestickerasshowninthefigure3.
- Note. Do not attach the sticker to rough surfaced laminate or painted wood.

La plaque d'informations produit est livrée sous l'une de ces 3 formes :

1) Plaque métallique et vis

- Fixez la plaque à l'aide des vis.

2) Etiquette autocollante

- Avant de coller l'étiquette, nettoyez le composant métallique peint ou la plaque de contreplaqué, de toute saleté. La surface doit être sèche (voir image 3).
- Attention, ne pas coller l'étiquette sur une surface lamellé-collée irrégulière ou sur du bois peint.

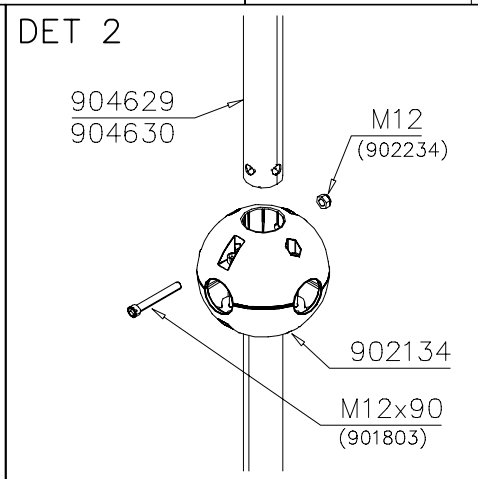
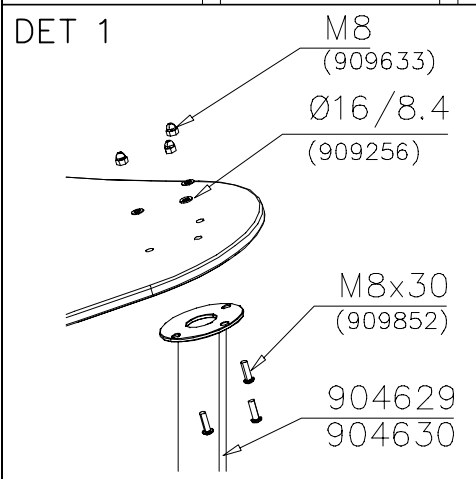
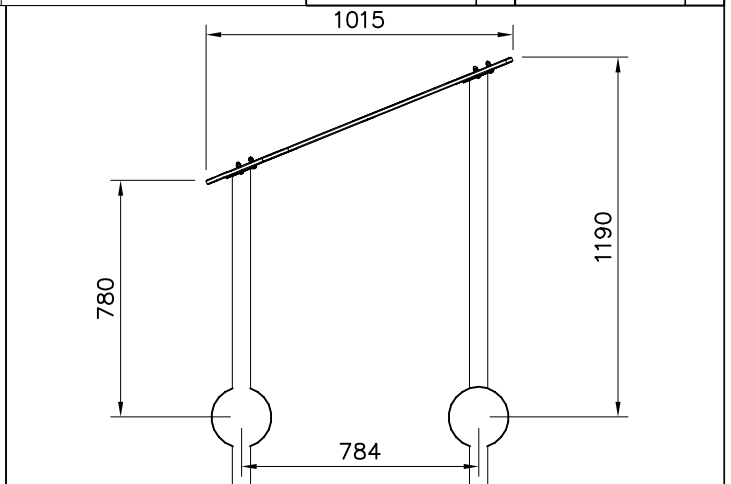
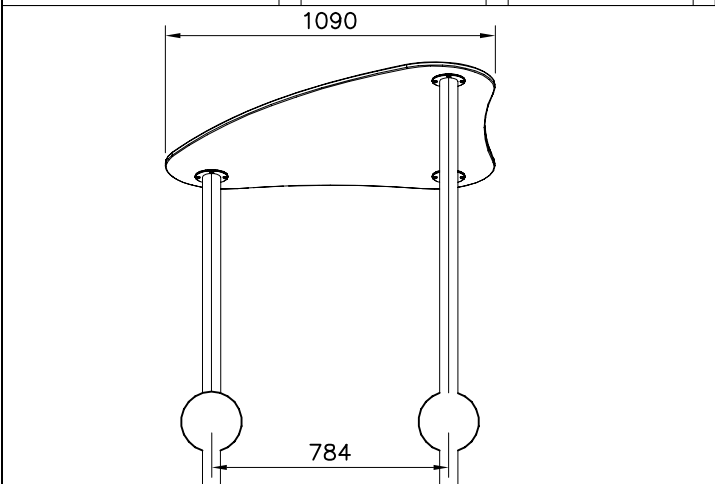
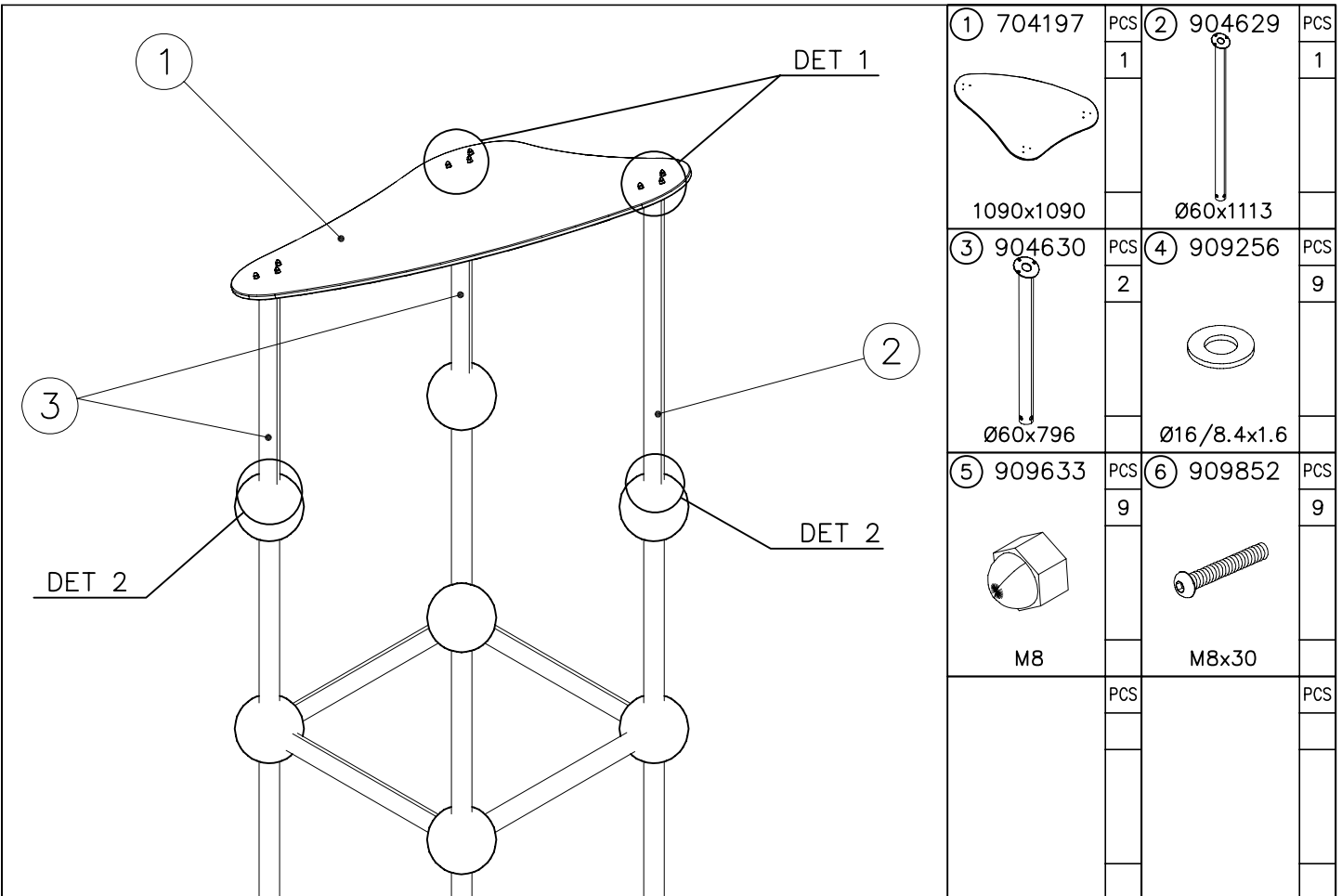
Die Auslieferung des Produktaufklebers erfolgt auf eine dieser Arten:

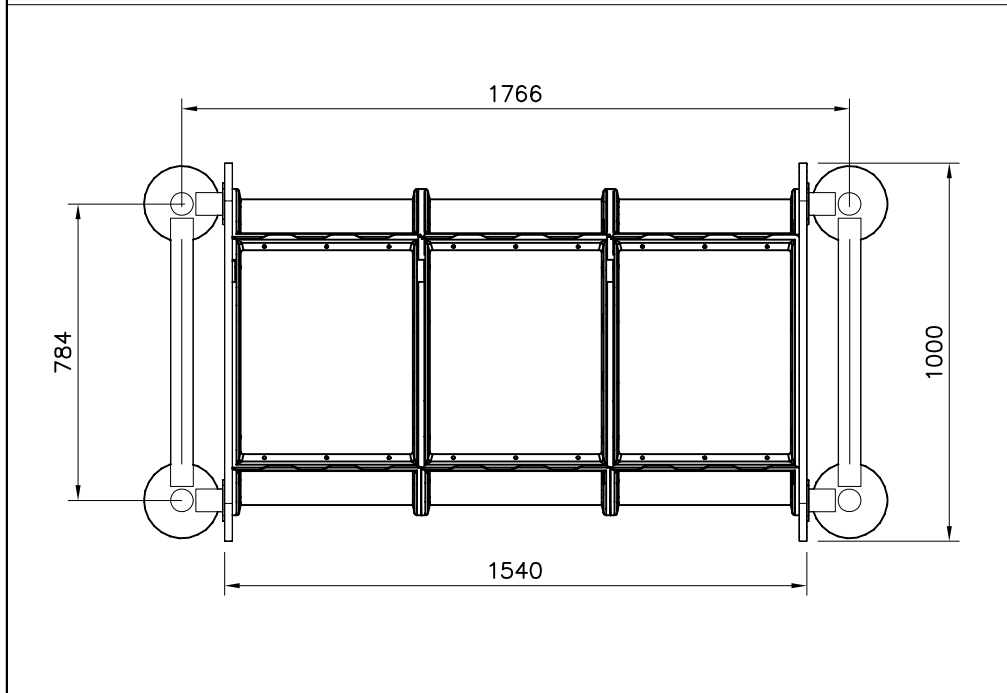
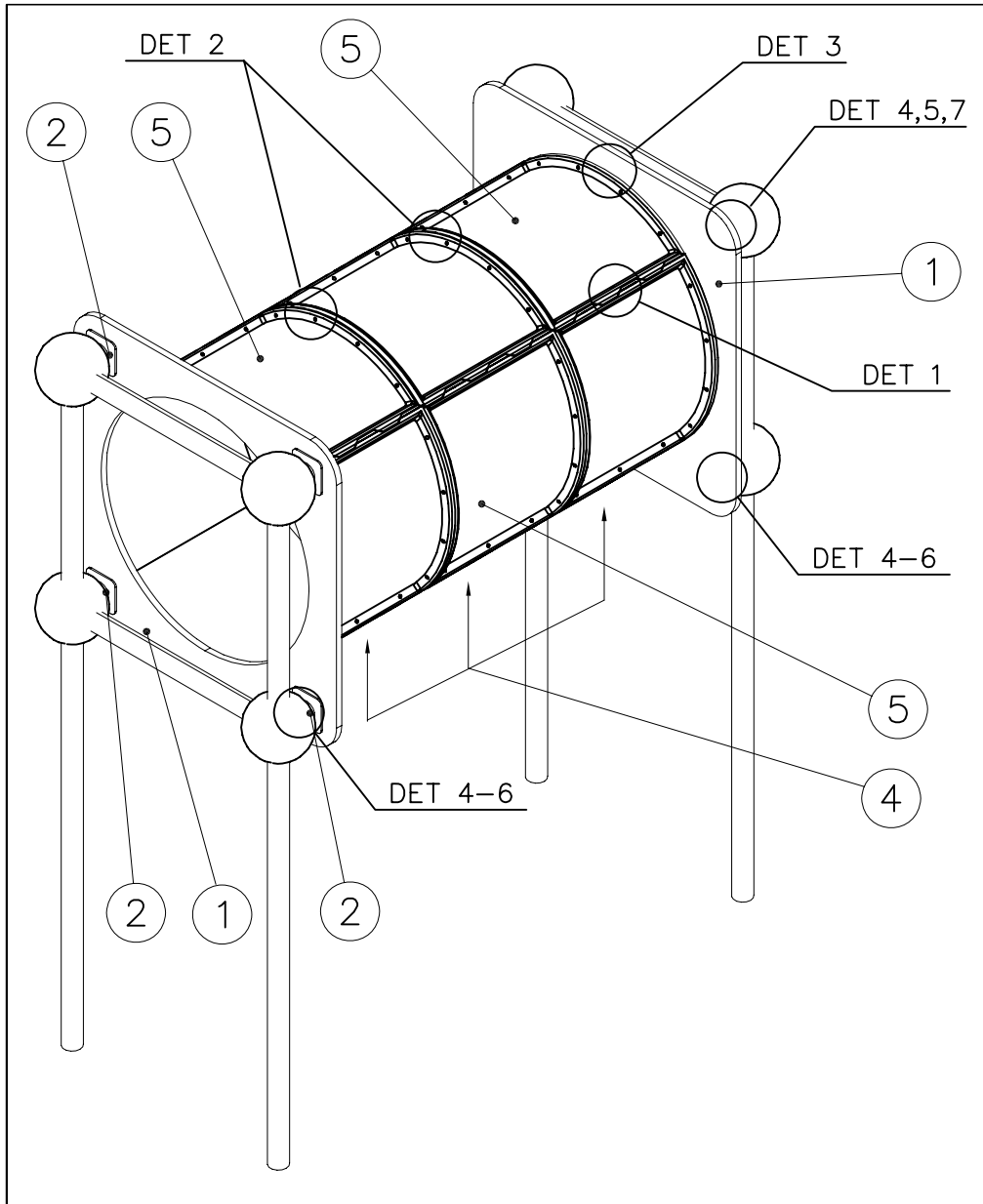
1) Produkt-Schild aus Metall incl. Schrauben

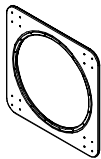
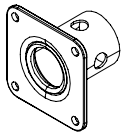
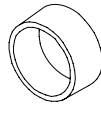
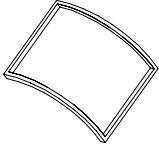
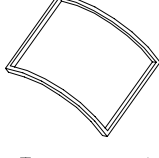
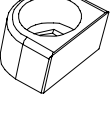
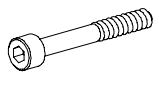
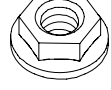

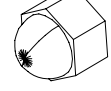
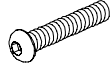
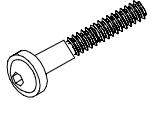
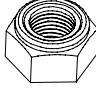
- Die Befestigung des Schildes erfolgt mittels der Schrauben.

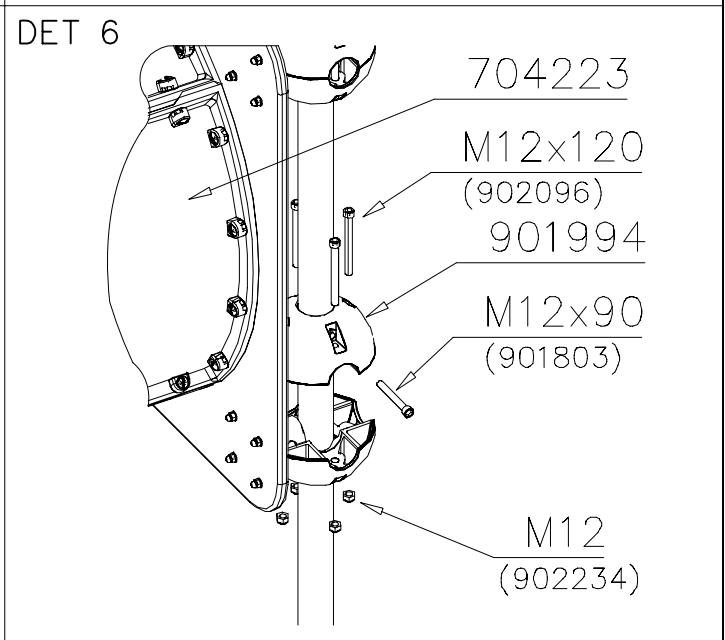
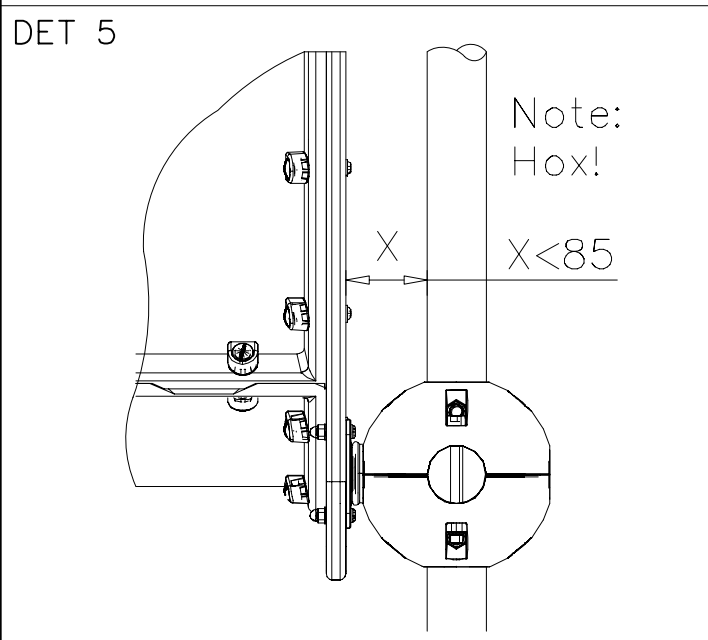
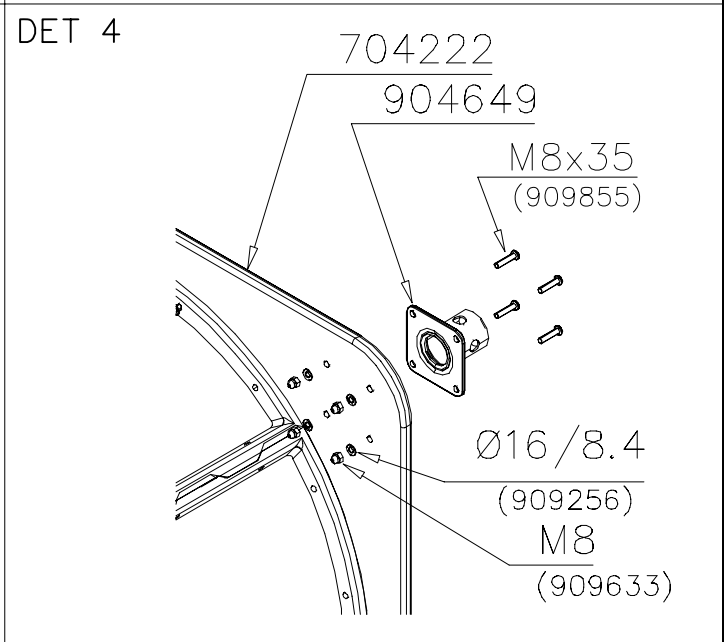
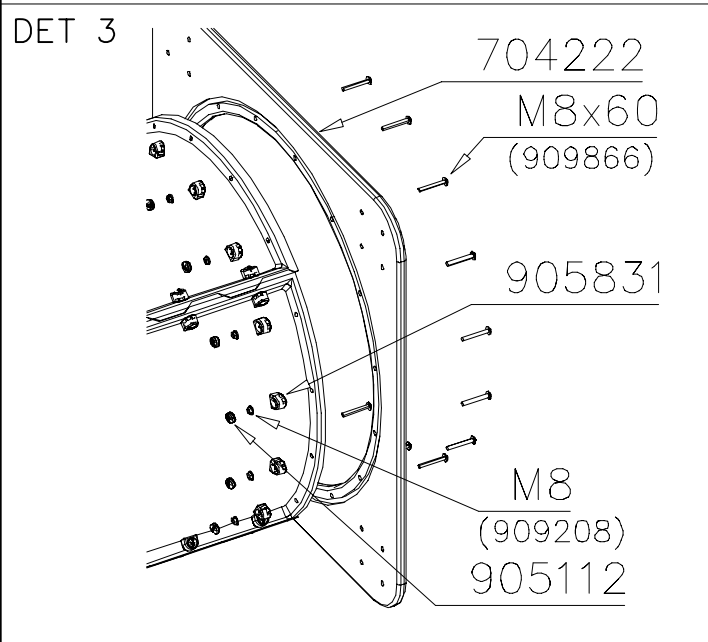
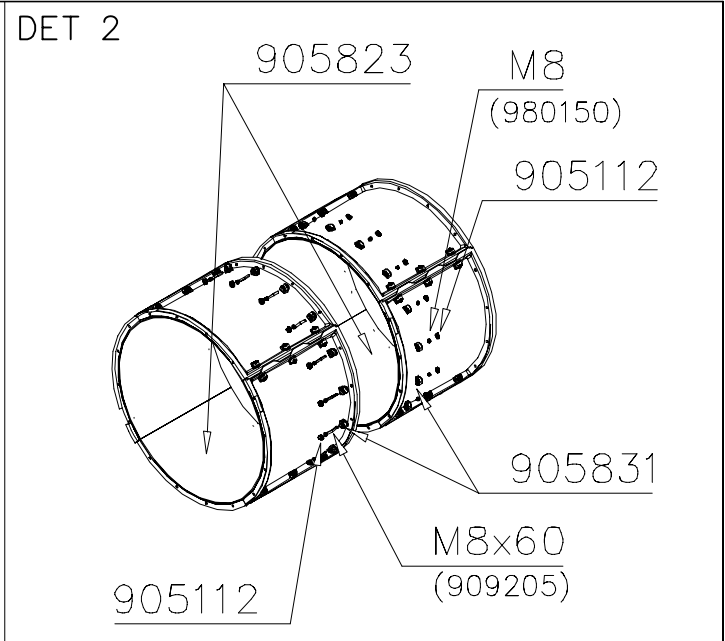
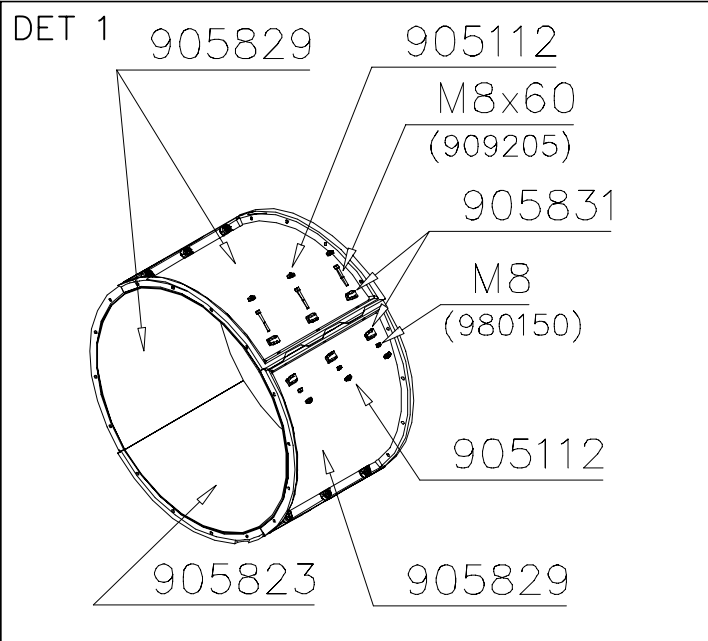
2) Aufkleber

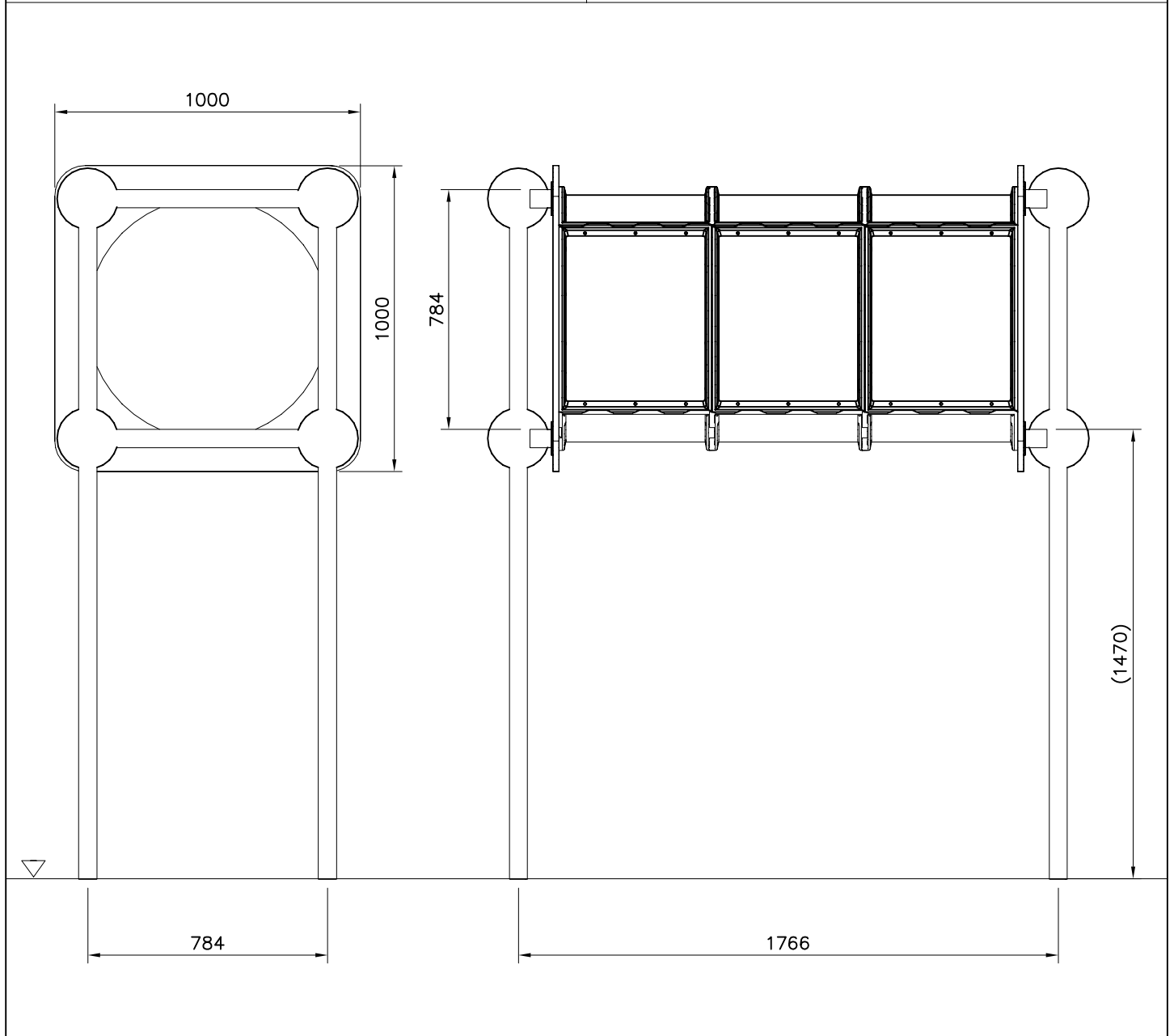
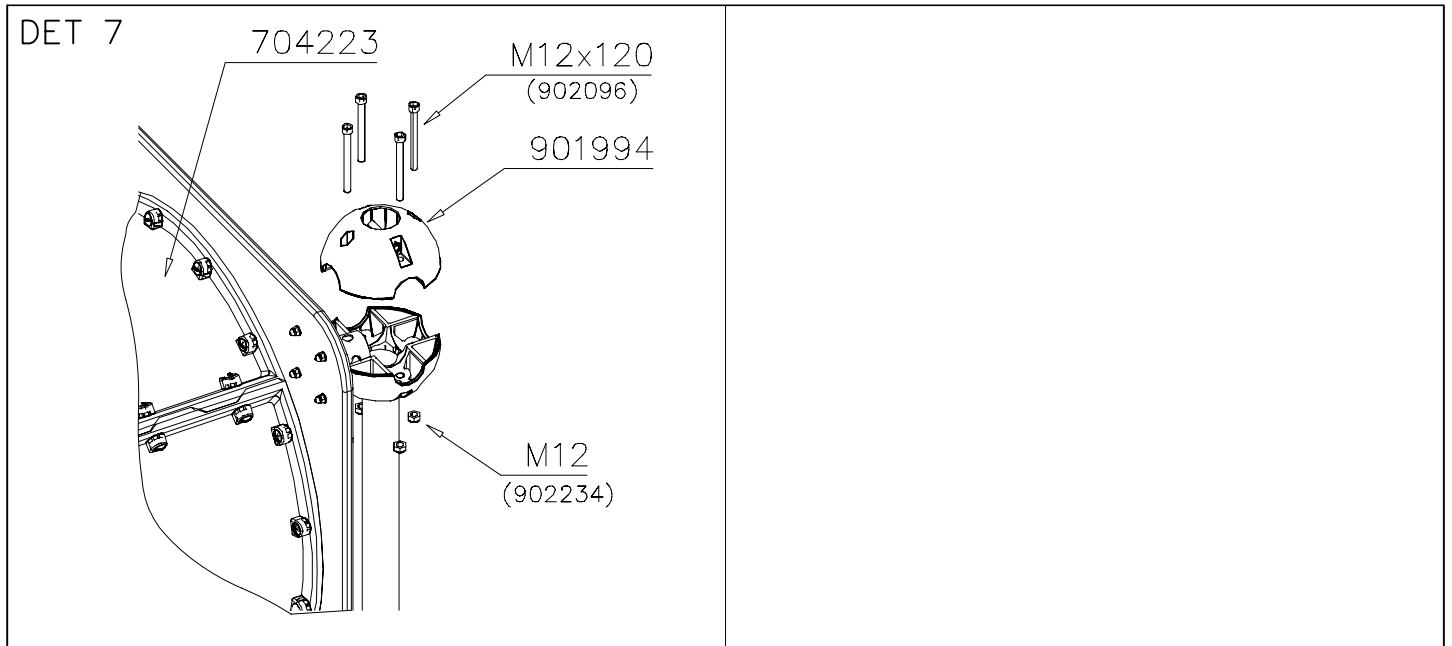
- EntfernenSiezunächstSchmutzundFeuchtigkeitvomlackiertenMetallbzw.vonderHolzoberflächeundbringenSiedenAufkleber wie im Bild oben rechts beschrieben auf den gesäuberten Untergrund auf.
- Beachten Sie: Bringen Sie den Aufkleber nicht auf raues laminiertes oder lackiertes Holz an.





① 704222	PCS	② 904649	PCS
	2		8
1000x1000x20			
③ 905112	PCS	④ 905823	PCS
	168		3
Ø22		YELLOW	
⑤ 905829	PCS	⑥ 905831	PCS
	9		168
Transparent		Ø32x19	
⑦ 909205	PCS	⑧ 909208	PCS
	68		32
M8x60		M8	
⑨ 909256	PCS	⑩ 909633	PCS
	32		32
Ø16/8.4x1.6		M8	
⑪ 909855	PCS	⑫ 909866	PCS
	32		32
M8x35		M8x60	
⑬ 980150	PCS		PCS
	68		
M8			
	PCS		PCS





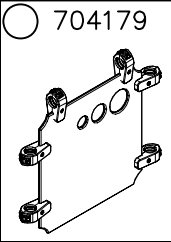
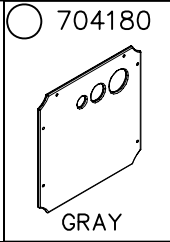
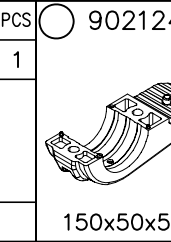
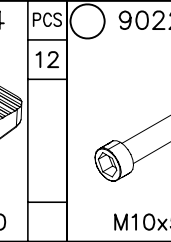
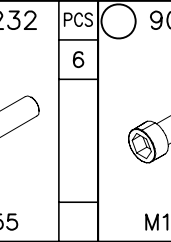
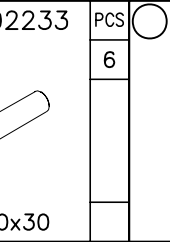
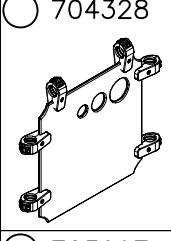
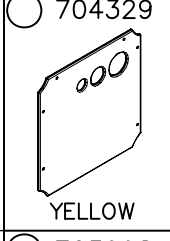
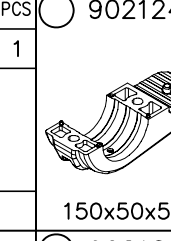
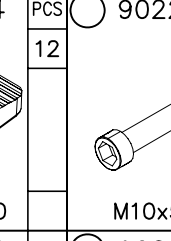
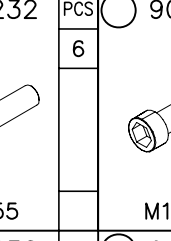
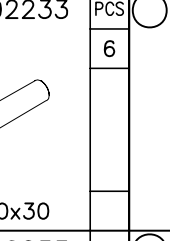
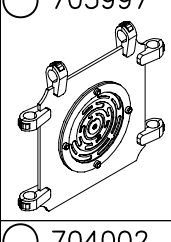
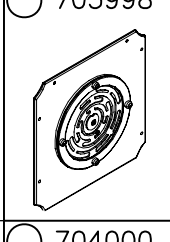
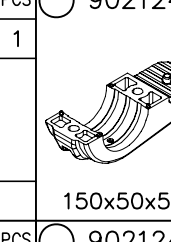
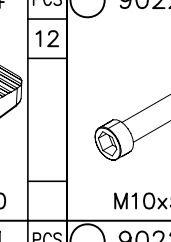
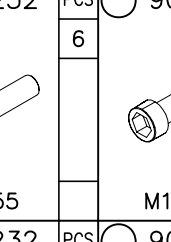
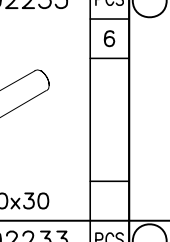
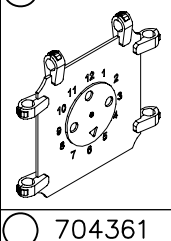
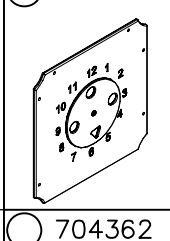
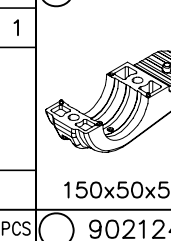
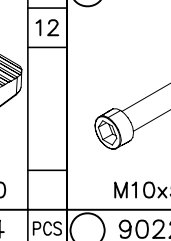
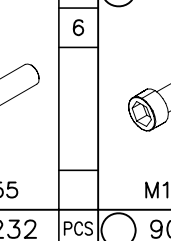
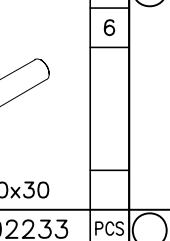
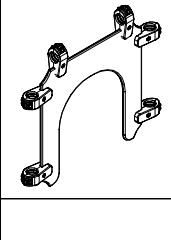
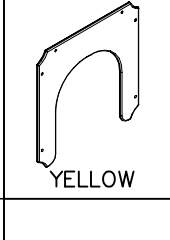
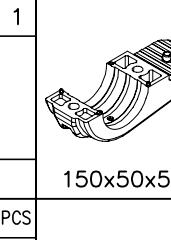
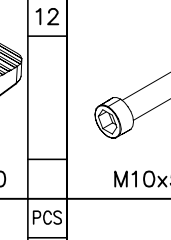
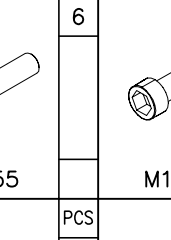
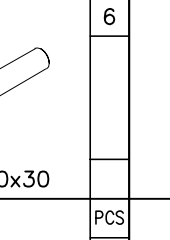
WINAM GROUP

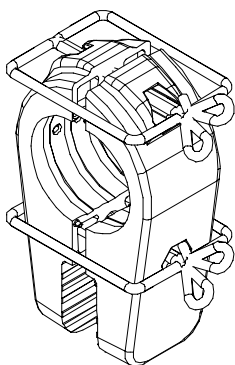
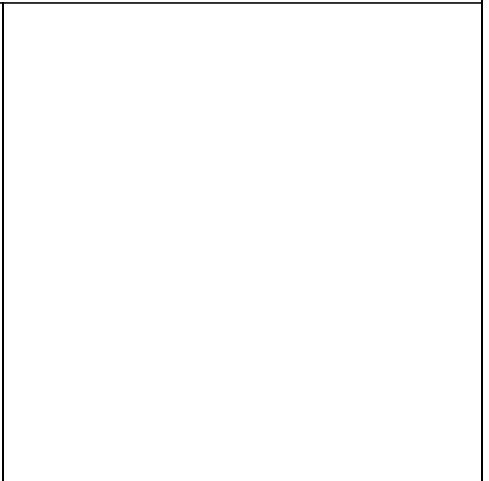
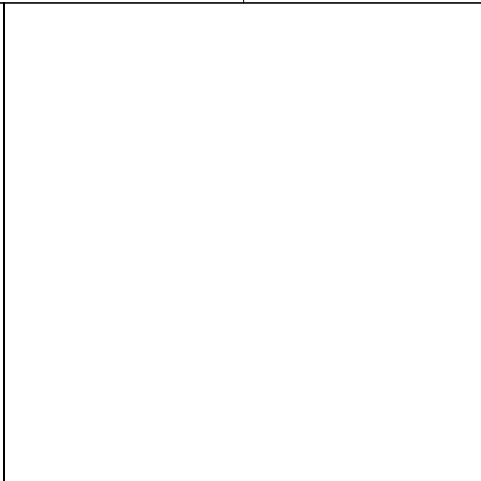
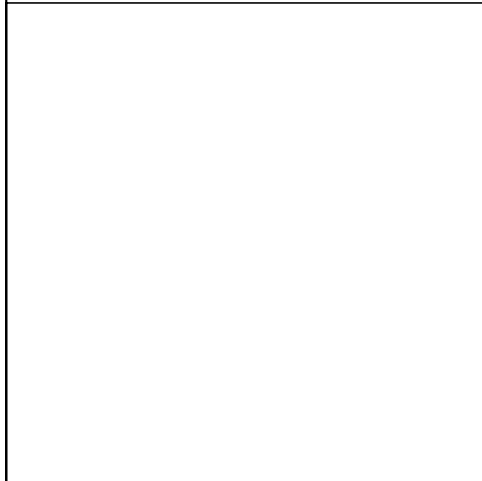
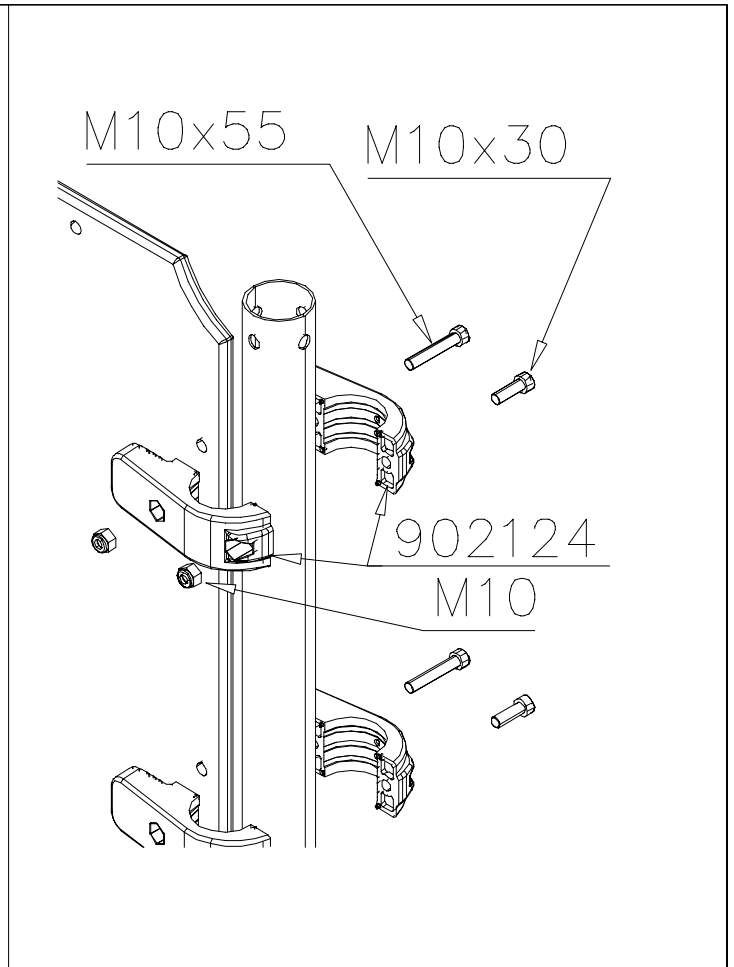
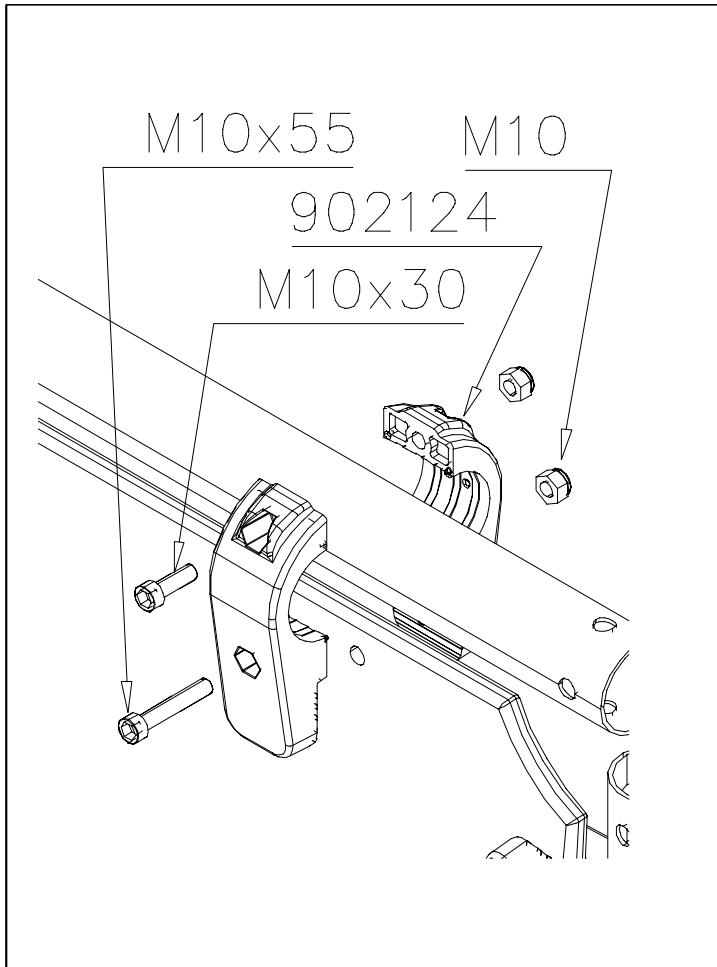
WALL 2

CLOXX

DATE: 7.5.2012

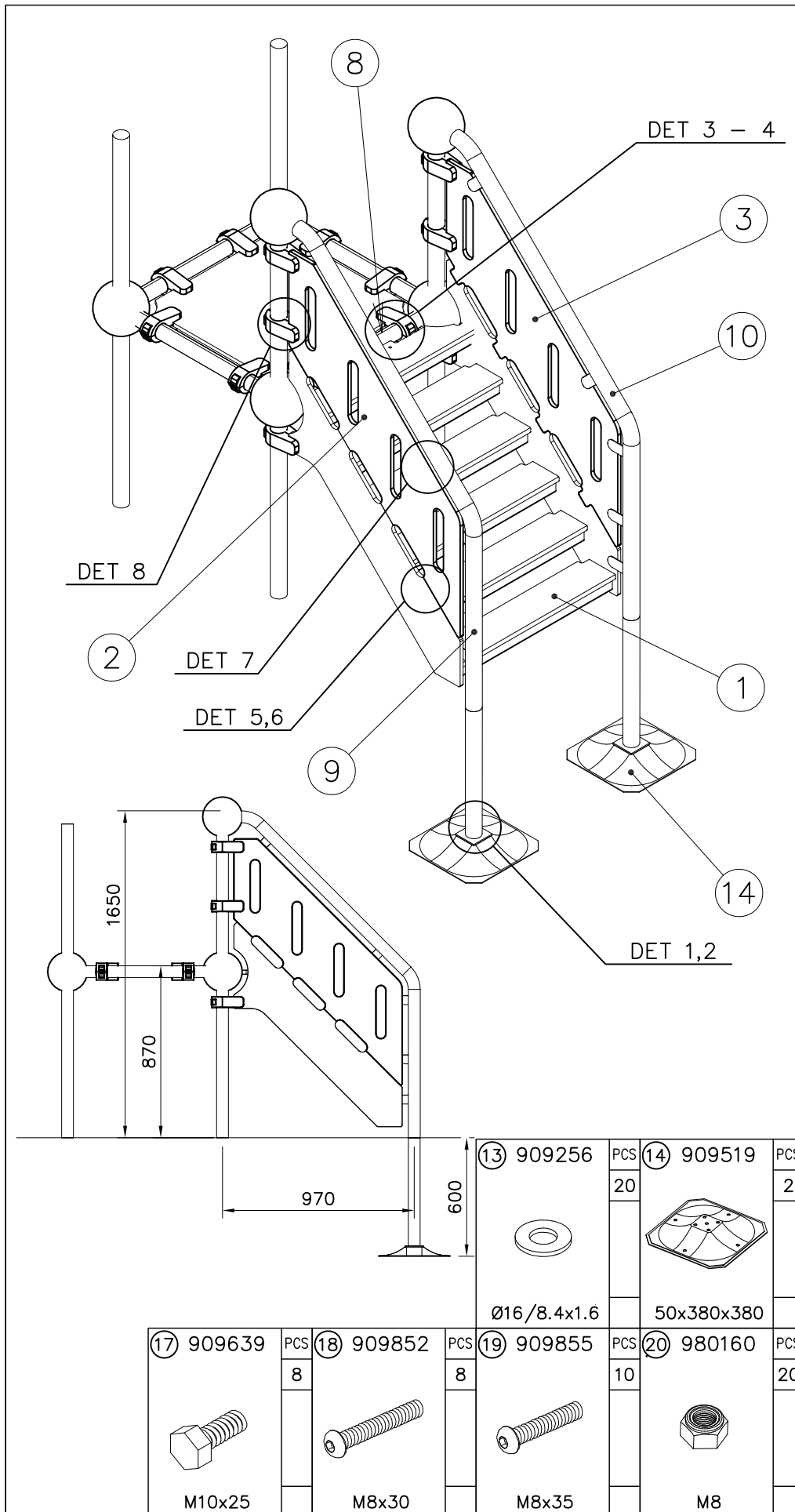


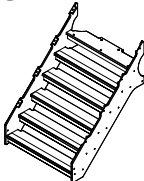
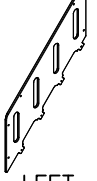
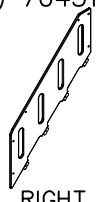
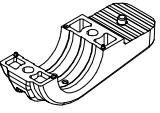
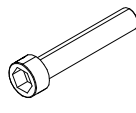
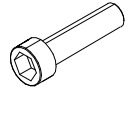
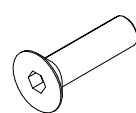
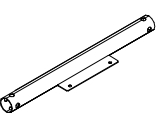
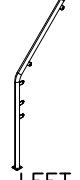
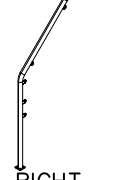
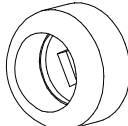
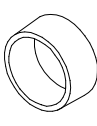

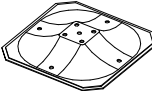
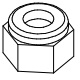
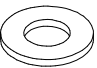
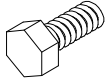
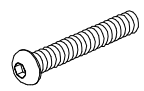
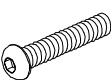
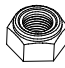

 704179	 704180 GRAY	PCS 1	 902124 150x50x50	PCS 12	 902232 M10x55	PCS 6	 902233 M10x30	PCS 6	 980161 M10	PCS 12		PCS
 704328	 704329 YELLOW	PCS 1	 902124 150x50x50	PCS 12	 902232 M10x55	PCS 6	 902233 M10x30	PCS 6	 980161 M10	PCS 12		PCS
 703997	 703998	PCS 1	 902124 150x50x50	PCS 12	 902232 M10x55	PCS 6	 902233 M10x30	PCS 6	 980161 M10	PCS 12		PCS
 704002	 704000	PCS 1	 902124 150x50x50	PCS 12	 902232 M10x55	PCS 6	 902233 M10x30	PCS 6	 980161 M10	PCS 12		PCS
 704361	 704362 YELLOW	PCS 1	 902124 150x50x50	PCS 12	 902232 M10x55	PCS 6	 902233 M10x30	PCS 6	 980161 M10	PCS 12		PCS
		PCS		PCS		PCS		PCS		PCS		PCS
		PCS		PCS		PCS		PCS		PCS		PCS
		PCS		PCS		PCS		PCS		PCS		PCS

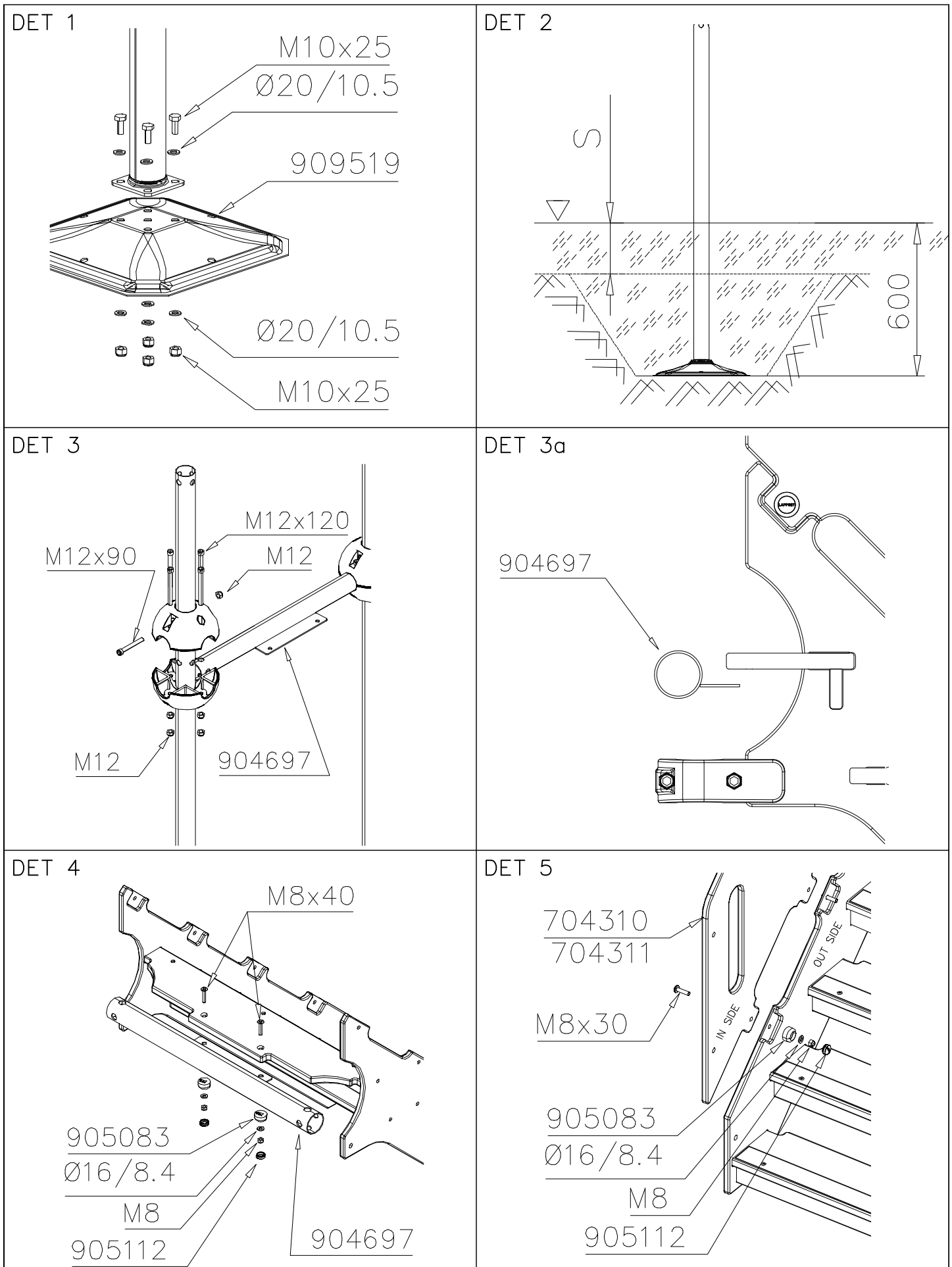


NOTE:
Use a wire marked pairs
of the same junction.

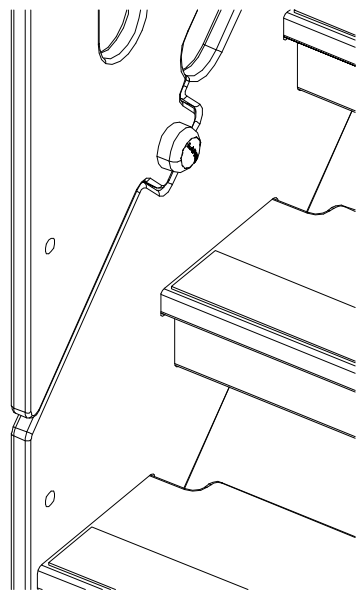
Huom!
Käytä langalla merkittyä
paria samassa liitoksessa.



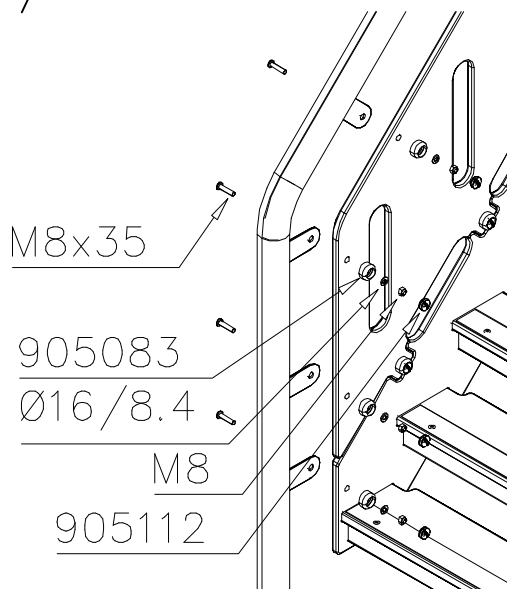
① 704309	PCS	② 704310	PCS
	1		1
		LEFT	
③ 704311	PCS	④ 902124	PCS
	1		12
		RIGHT	
		150x50x50	
⑤ 902232	PCS	⑥ 902233	PCS
	6		6
		M10x55	
		M10x30	
⑦ 904068	PCS	⑧ 904697	PCS
	2		1
		M8x40	
		Ø60.3x2.9x710	
⑨ 904760	PCS	⑩ 904761	PCS
	1		1
		LEFT	
		RIGHT	
⑪ 905083	PCS	⑫ 905112	PCS
	20		20
		Ø32	
		Ø22	
⑬ 909256	PCS	⑭ 909519	PCS
	20		2
		Ø16/8.4x1.6	
		50x380x380	
⑮ 909637	PCS	⑯ 909638	PCS
	8		16
		M10	
		Ø20/10.5	
⑰ 909639	PCS	⑱ 909852	PCS
	8		8
		M10x25	
		M8x30	
⑲ 909855	PCS	⑳ 980160	PCS
	10		20
		M8x35	
		M8	
㉑ 980161	PCS		PCS
	12		
		M10	



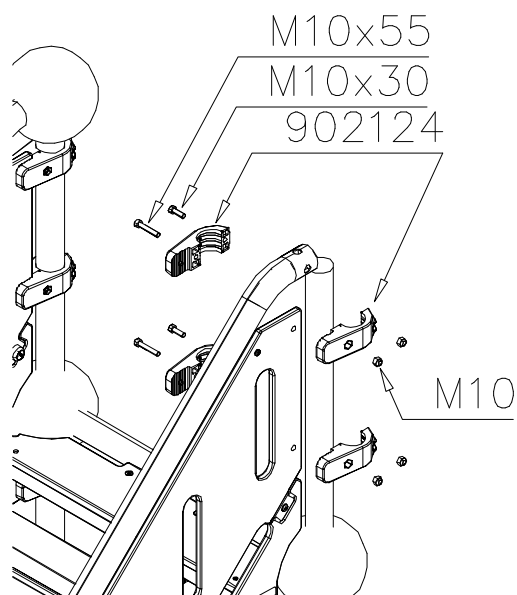
DET 6



DET 7



DET 8



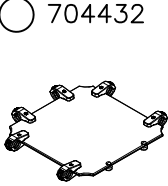
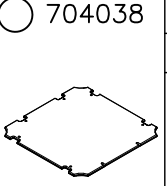
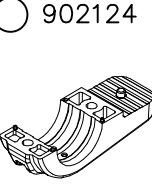
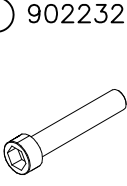
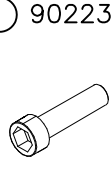
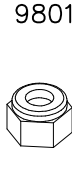
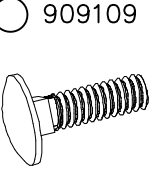
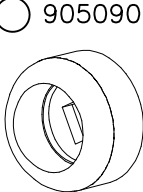
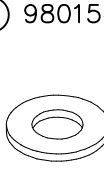
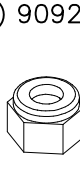

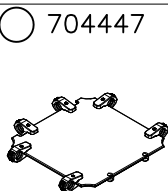
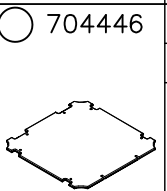
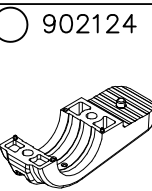
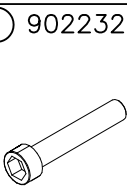
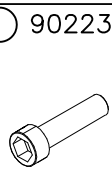

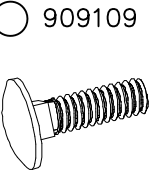
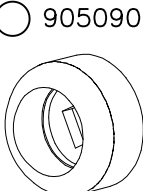
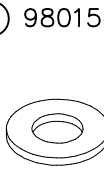
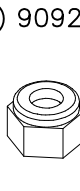

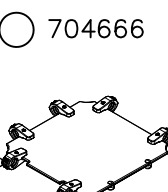
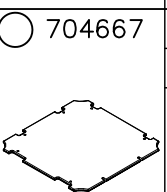
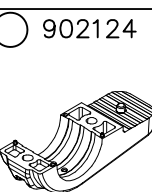

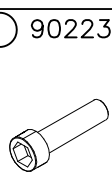

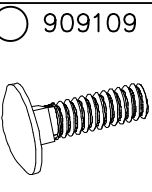
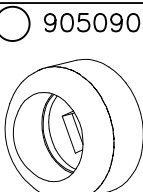
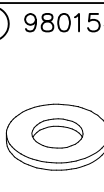
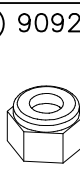

WINAM GROUP

FLOOR (SLIDE)

CLOXX

DATE: 3.10.2013



		PCS 1	 150x50x50	PCS 12	 M10x55	PCS 6	 M10x30	PCS 6	 M10	PCS 12		PCS
		PCS	 M12x40	PCS 2	 Ø45	PCS 2	 Ø24/13	PCS 2	 M12	PCS 2	 Ø32	PCS 2
		PCS		PCS		PCS		PCS		PCS		PCS
		PCS 1	 150x50x50	PCS 12	 M10x55	PCS 6	 M10x30	PCS 6	 M10	PCS 12		PCS
		PCS	 M12x40	PCS 2	 Ø45	PCS 2	 Ø24/13	PCS 2	 M12	PCS 2	 Ø32	PCS 2
		PCS		PCS		PCS		PCS		PCS		PCS
		PCS 1	 150x50x50	PCS 12	 M10x55	PCS 6	 M10x30	PCS 6	 M10	PCS 12		PCS
		PCS	 M12x40	PCS 2	 Ø45	PCS 2	 Ø24/13	PCS 2	 M12	PCS 2	 Ø32	PCS 2
		PCS		PCS		PCS		PCS		PCS		PCS

WINAM GROUP

FLOOR (SLIDE)

CLOXX

DATE: 3.10.2013

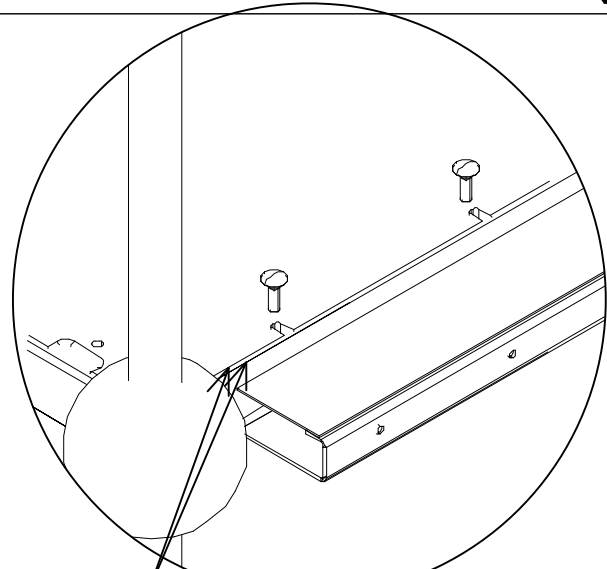
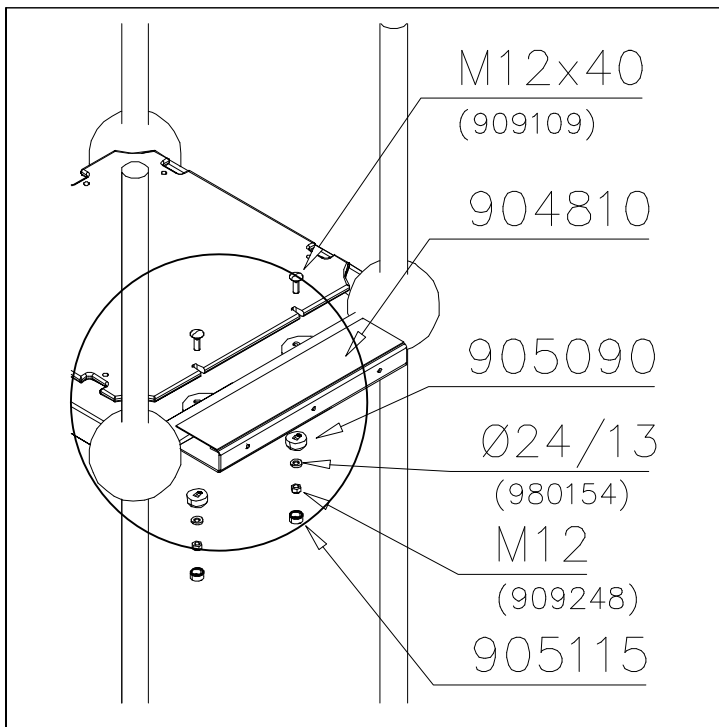


○ 704684 	○ 704685 	PCS 1	○ 902124 150x50x50	PCS 12	○ 902232 M10x55	PCS 6	○ 902233 M10x30	PCS 6	○ 980161 M10	PCS 12		PCS	
		PCS	○ 909109 M12x40	PCS 2	○ 905090 Ø45	PCS 2	○ 980154 Ø24/13	PCS 2	○ 909248 M12	PCS 2	○ 905115 Ø32	PCS 2	PCS
		PCS		PCS		PCS		PCS		PCS		PCS	PCS
○ 704692 	○ 704693 	PCS 1	○ 902124 150x50x50	PCS 12	○ 902232 M10x55	PCS 6	○ 902233 M10x30	PCS 6	○ 980161 M10	PCS 12		PCS	PCS
		PCS	○ 909109 M12x40	PCS 2	○ 905090 Ø45	PCS 2	○ 980154 Ø24/13	PCS 2	○ 909248 M12	PCS 2	○ 905115 Ø32	PCS 2	PCS
		PCS		PCS		PCS		PCS		PCS		PCS	PCS
		PCS		PCS		PCS		PCS		PCS		PCS	PCS

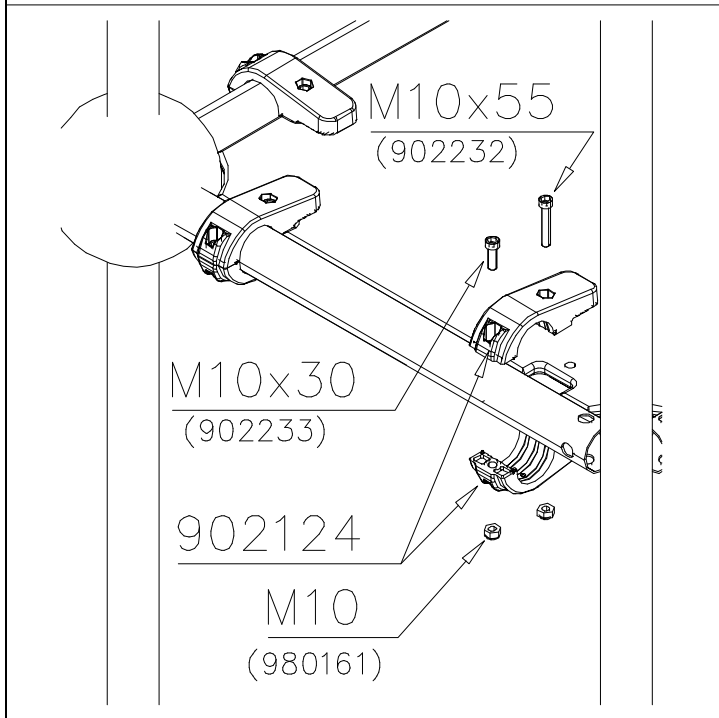
WINAM GROUP FLOOR (SLIDE)

CLOXX

DATE: 3.10.2013

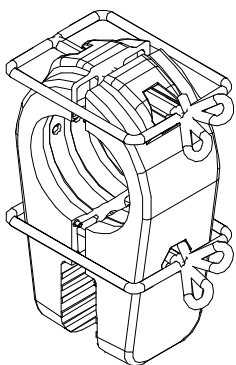
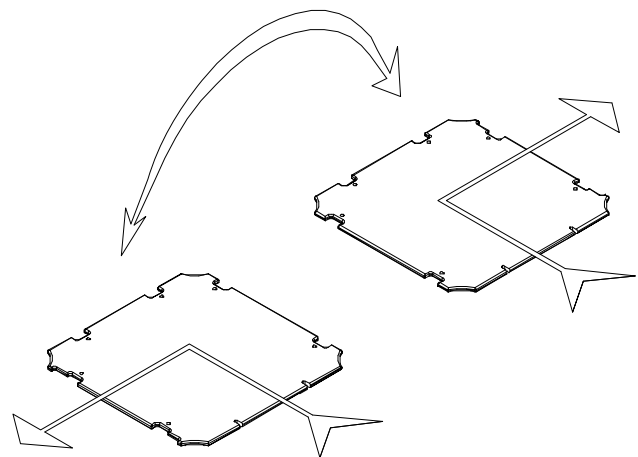


ATT ! MAX GAP between plate and tube is 6mm
HUOM ! MAKSIMI VÄLI lattialevyllä ja putkella on 6mm



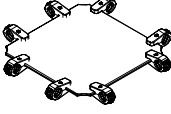
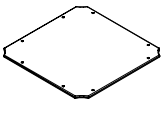
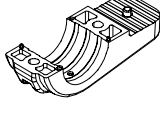
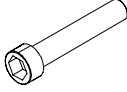
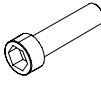
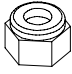
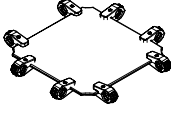
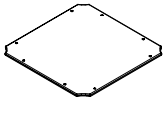
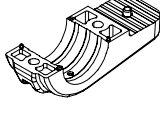
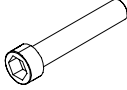
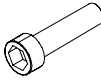

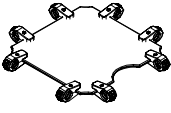
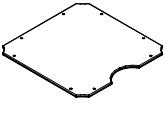
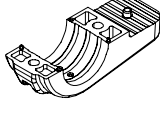
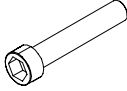
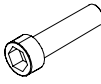

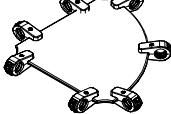
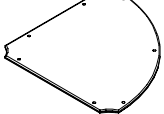
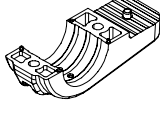
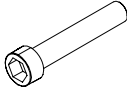
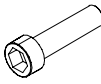
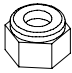
KÄYTÄ TARVITTAESSA SAMAA LEVYÄ VASEMALLE TAI OIKEALLE.

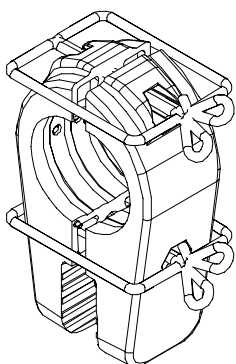
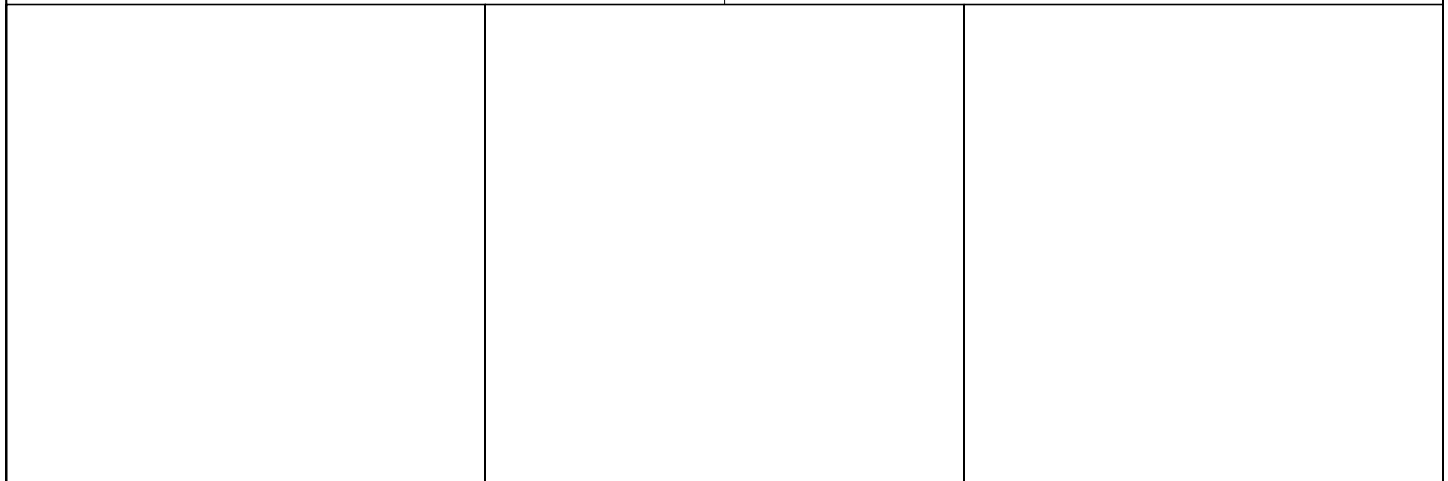
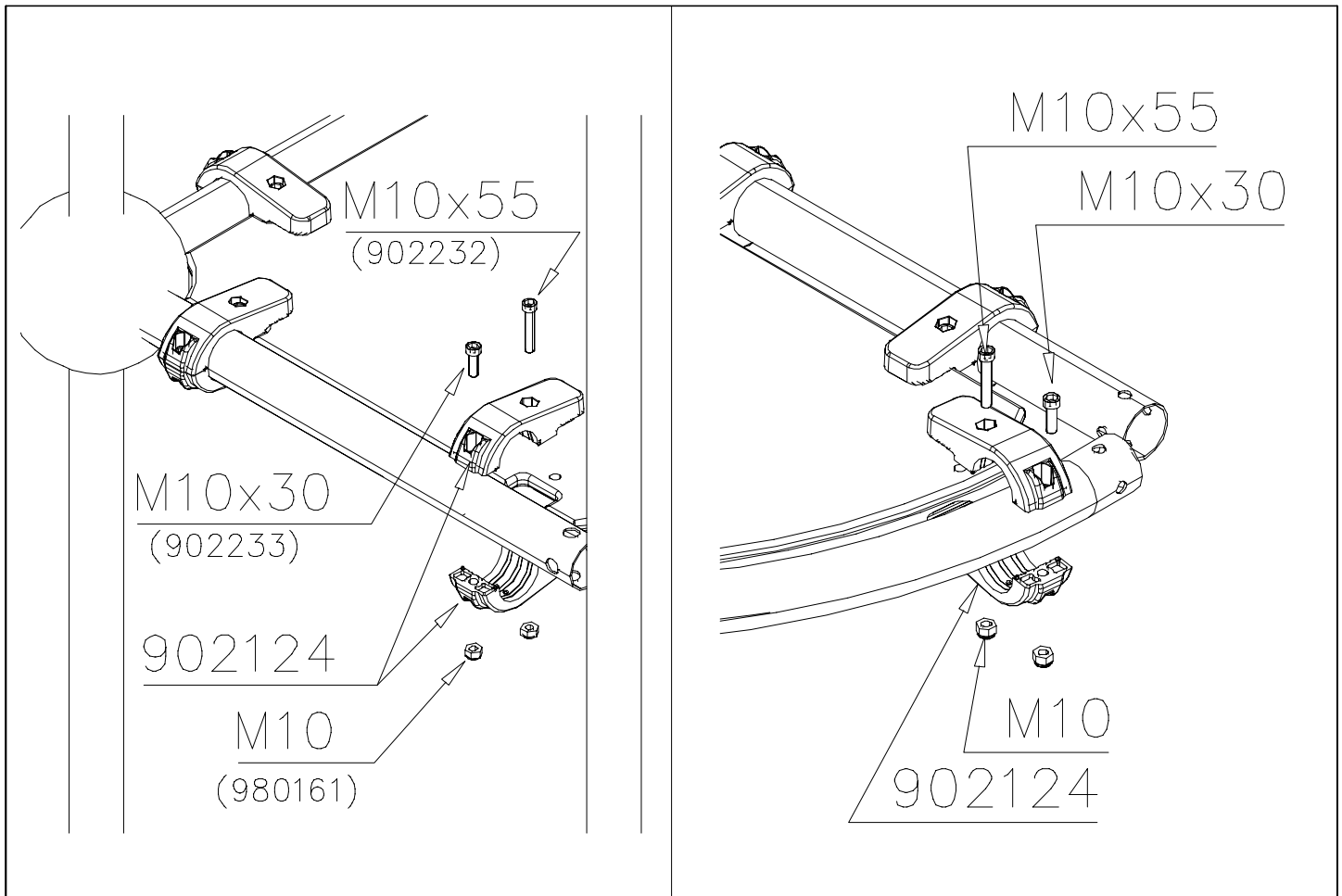
IF NECESSARY USE SAME PLATE LEFT OR RIGHT.



NOTE:
Use a wire marked pairs of the same junction.

Huom!
Käytä langalla merkittyä paria samassa liitoksessa.

○ 704443 	○ 704442 	PCS 1	○ 902124  150x50x50	PCS 16	○ 902232  M10x55	PCS 8	○ 902233  M10x30	PCS 8	○ 980161  M10	PCS 16		PCS
○ 704703 	○ 704704 	PCS 1	○ 902124  150x50x50	PCS 16	○ 902232  M10x55	PCS 8	○ 902233  M10x30	PCS 8	○ 980161  M10	PCS 16		PCS
○ 704678 	○ 704679 	PCS 1	○ 902124  150x50x50	PCS 16	○ 902232  M10x55	PCS 8	○ 902233  M10x30	PCS 8	○ 980161  M10	PCS 16		PCS
○ 704694 	○ 704695 	PCS 1	○ 902124  150x50x50	PCS 14	○ 902232  M10x55	PCS 7	○ 902233  M10x30	PCS 7	○ 980161  M10	PCS 14		PCS
		PCS		PCS		PCS		PCS		PCS		PCS
		PCS		PCS		PCS		PCS		PCS		PCS
		PCS		PCS		PCS		PCS		PCS		PCS
		PCS		PCS		PCS		PCS		PCS		PCS



NOTE:

Use a wire marked pairs of the same junction.

Huom!

Käytä langalla merkittyä paria samassa liitoksessa.