

# WINAM GROUP

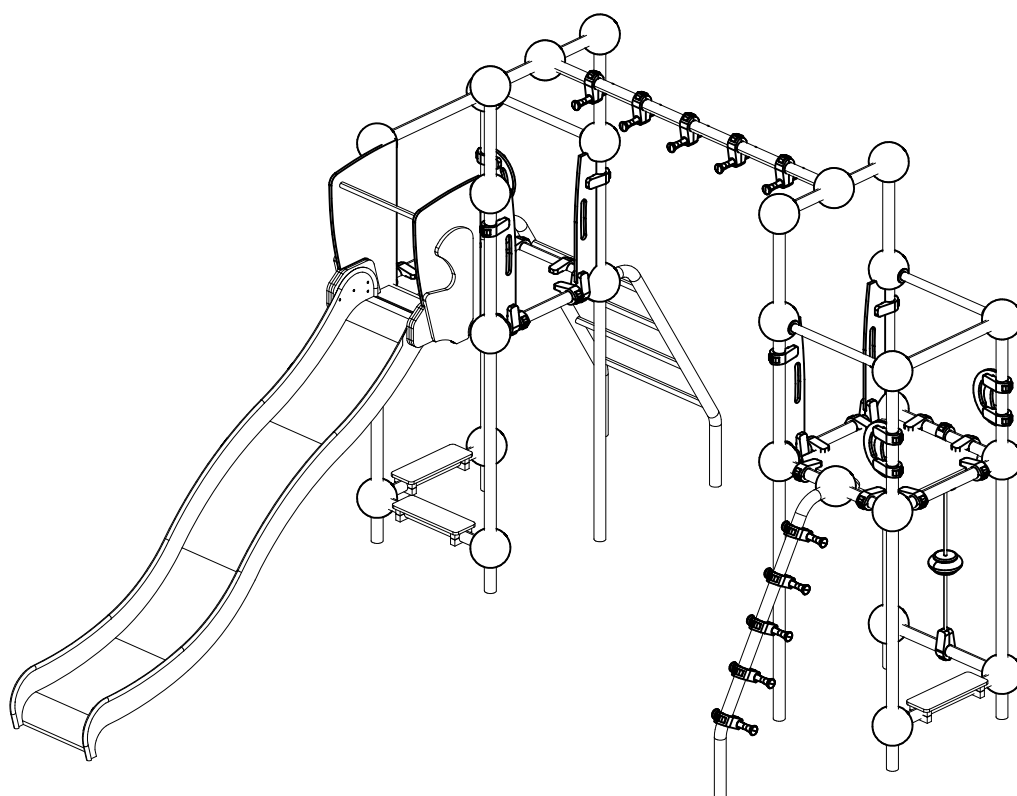
## CLOXX



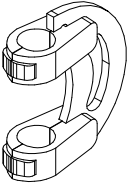
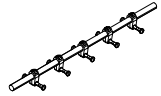
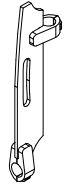
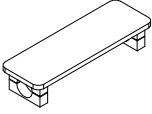
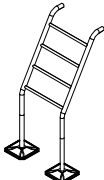
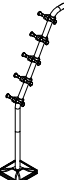

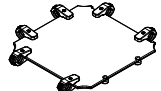
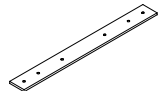
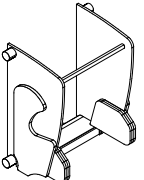
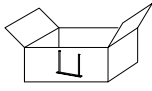
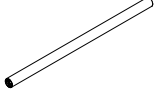
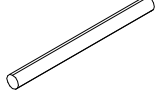
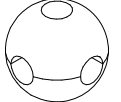
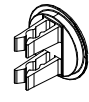
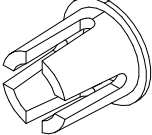



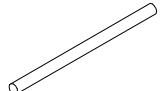

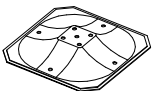
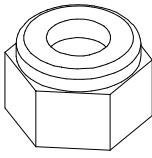
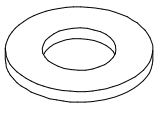
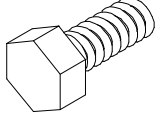
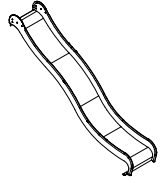


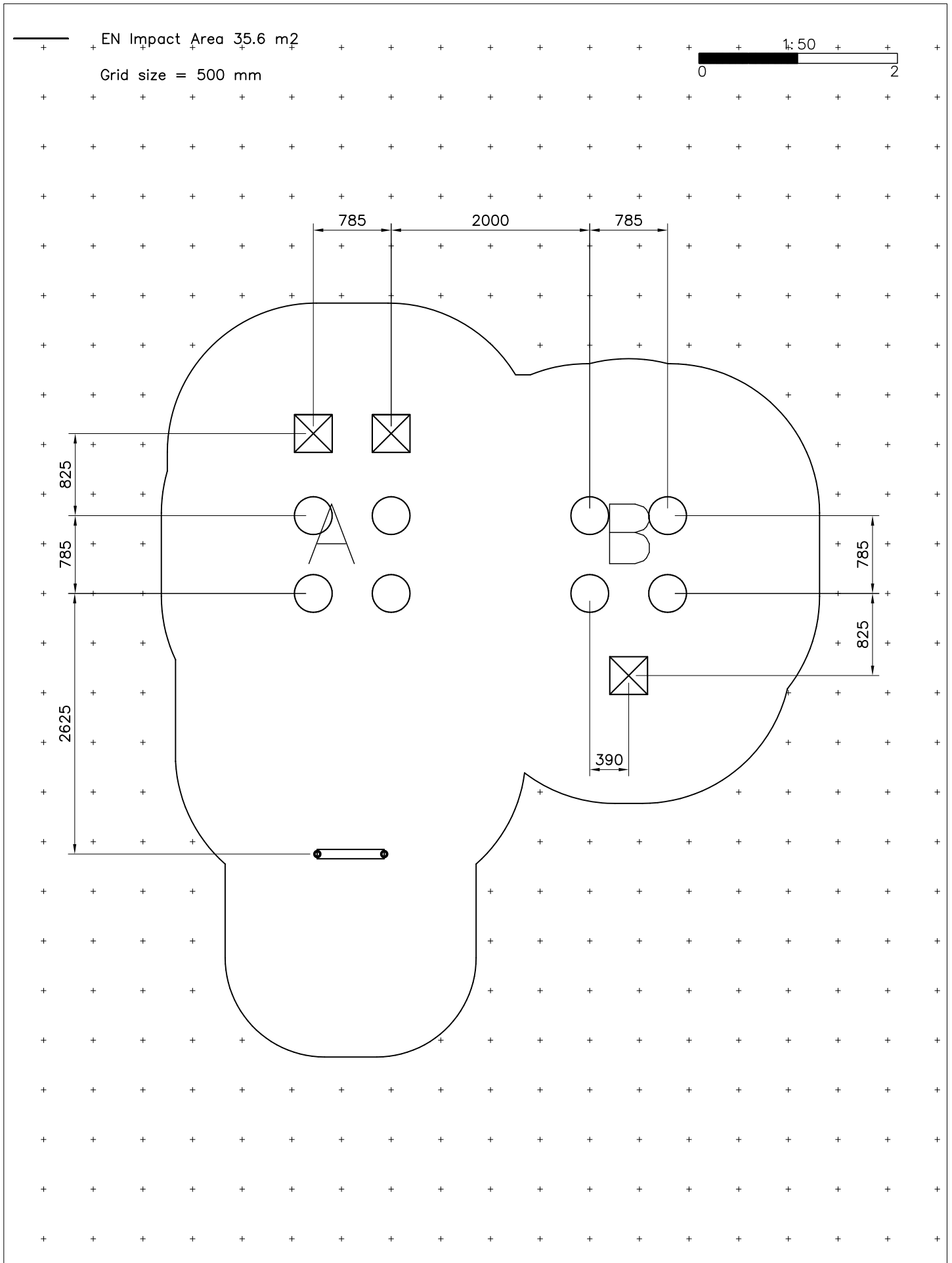
ASENNUSOHJE  
MONTERINGSANSVISNING  
INSTALLATION INSTRUCTION  
AUFBAUANLEITUNG  
NOTICE D'INSTALLATION

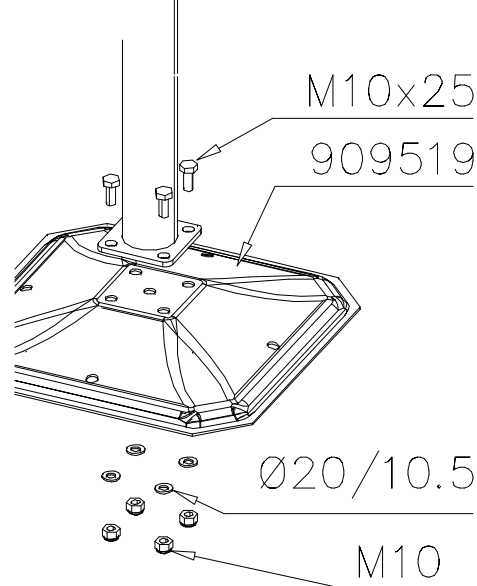
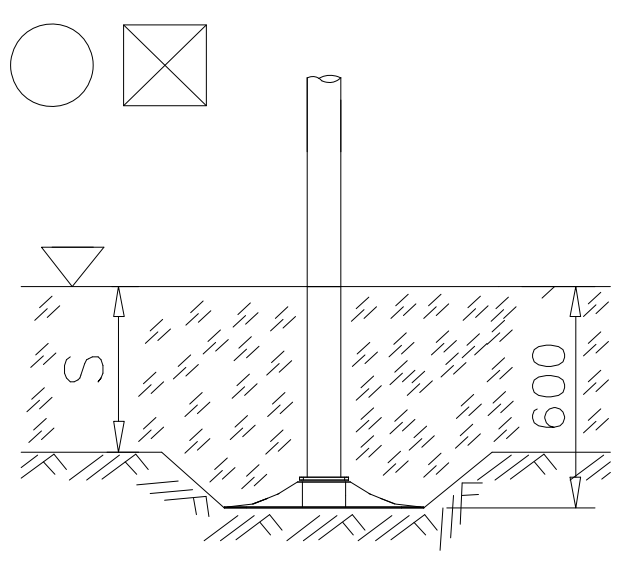
DATE: 26.2.2019

## 220320



<p>702341</p>  <p>90x50</p>	PCS 1	<p>703994</p> 	PCS 1	<p>704159</p> 	PCS 3	<p>704168</p>  <p>L 1926</p>	PCS 1	<p>704219</p> 	PCS 4	<p>704332</p> 	PCS 3
<p>704438</p> 	PCS 1	<p>704440</p> 	PCS 1	<p>704678</p> 	PCS 1	<p>704684</p> 	PCS 1	<p>707133</p>  <p>10x80x745</p>	PCS 1	<p>708858</p> 	PCS 1
<p>709045</p> 	PCS 1	<p>901868</p>  <p>Ø34x598</p>	PCS 2	<p>902022</p>  <p>L 710</p>	PCS 12	<p>902134</p> 	PCS 29	<p>902157</p>  <p>60x60x2</p>	PCS 79	<p>904100</p>  <p>Ø60/40</p>	PCS 6
<p>904455</p>  <p>L 2737</p>	PCS 6	<p>904456</p>  <p>L 2737</p>	PCS 2	<p>904524</p>  <p>L 526</p>	PCS 4	<p>904819</p>  <p>Ø44.5x710</p>	PCS 3	<p>904834</p>  <p>L 710</p>	PCS 3	<p>909519</p>  <p>380x380</p>	PCS 8
<p>909637</p>  <p>M10</p>	PCS 32	<p>909638</p>  <p>Ø20/10.5</p>	PCS 64	<p>909639</p>  <p>M10x25</p>	PCS 32	<p>909709</p>  <p>+1470</p>	PCS 1		PCS		PCS
	PCS		PCS		PCS		PCS		PCS		PCS
	PCS		PCS		PCS		PCS		PCS		PCS

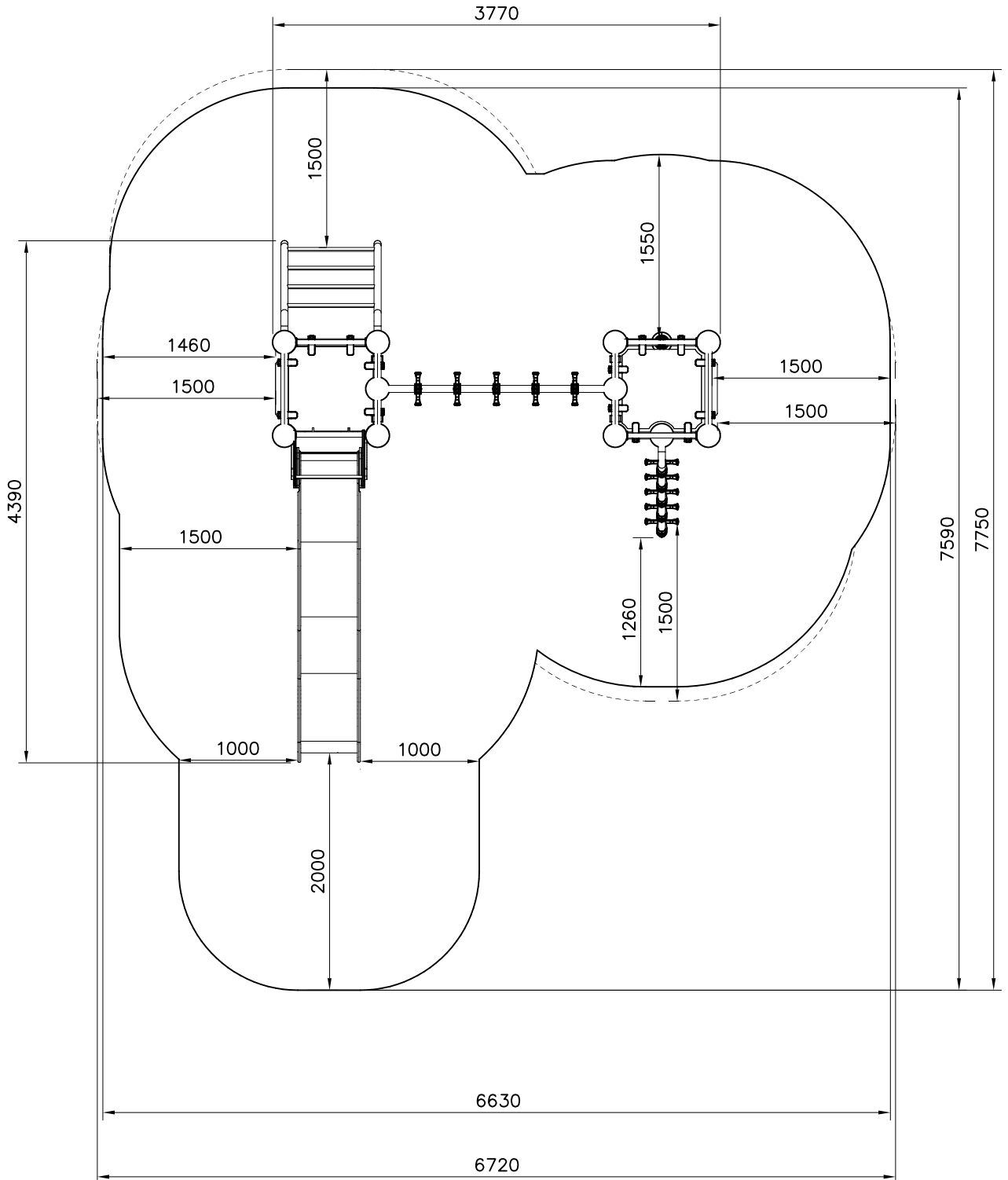
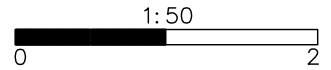


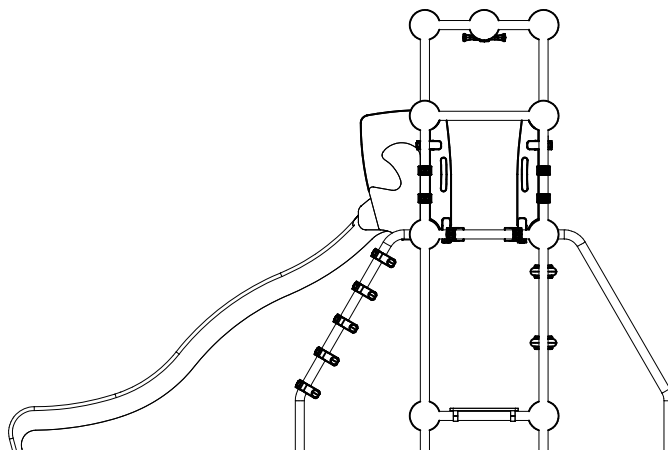
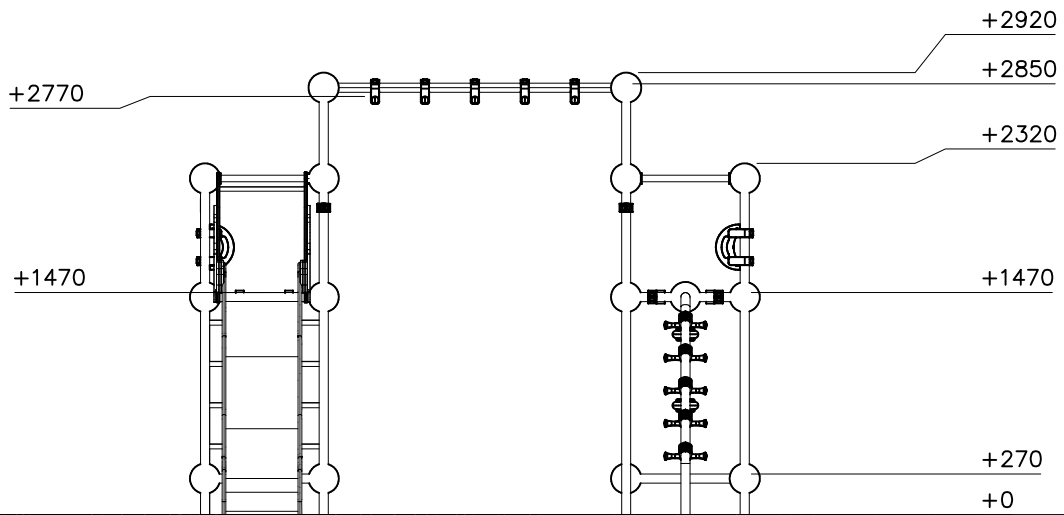
 <p>M10x25 909519</p> <p>Ø20/10.5 M10</p>	 <p>600</p>

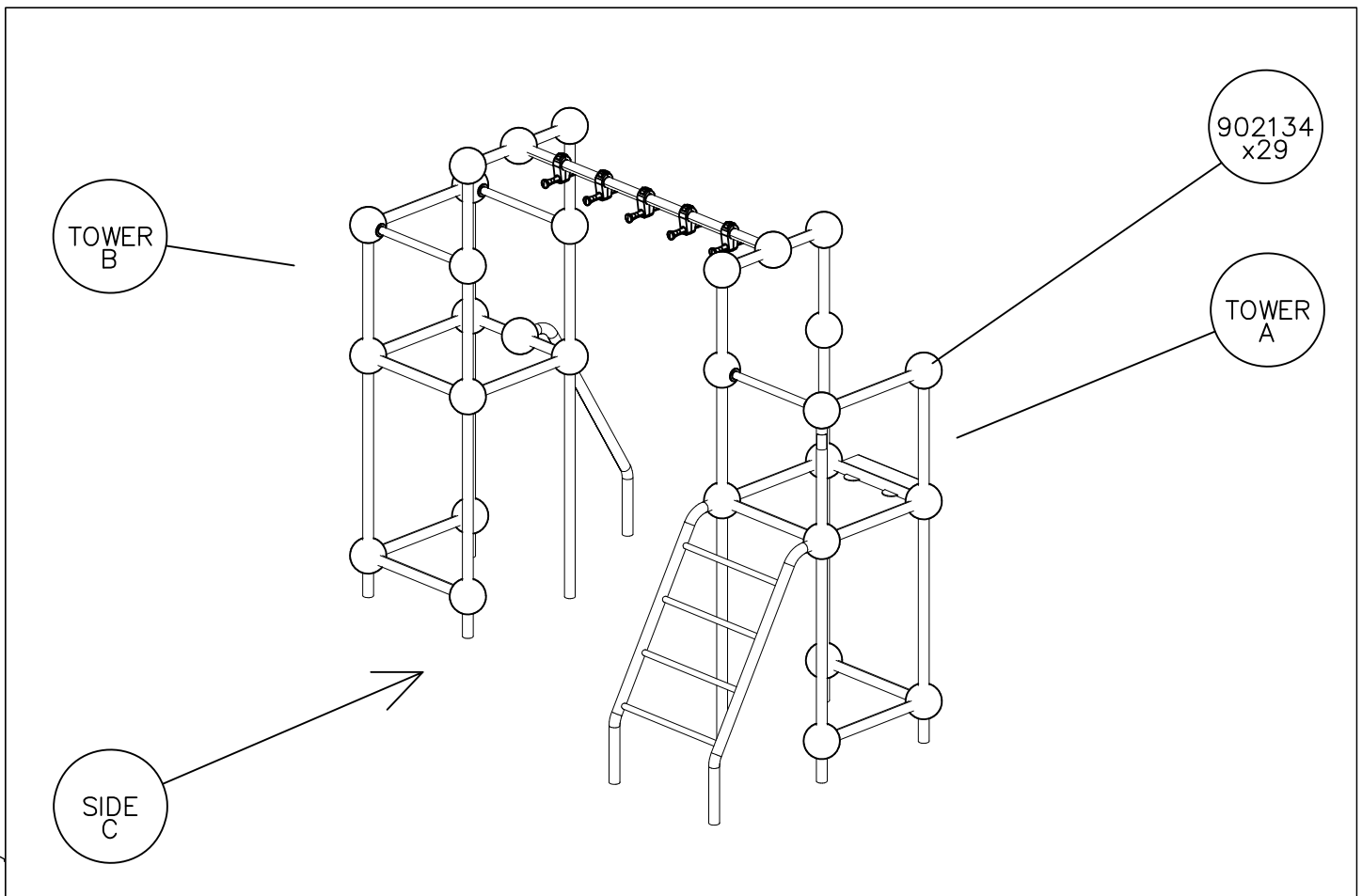
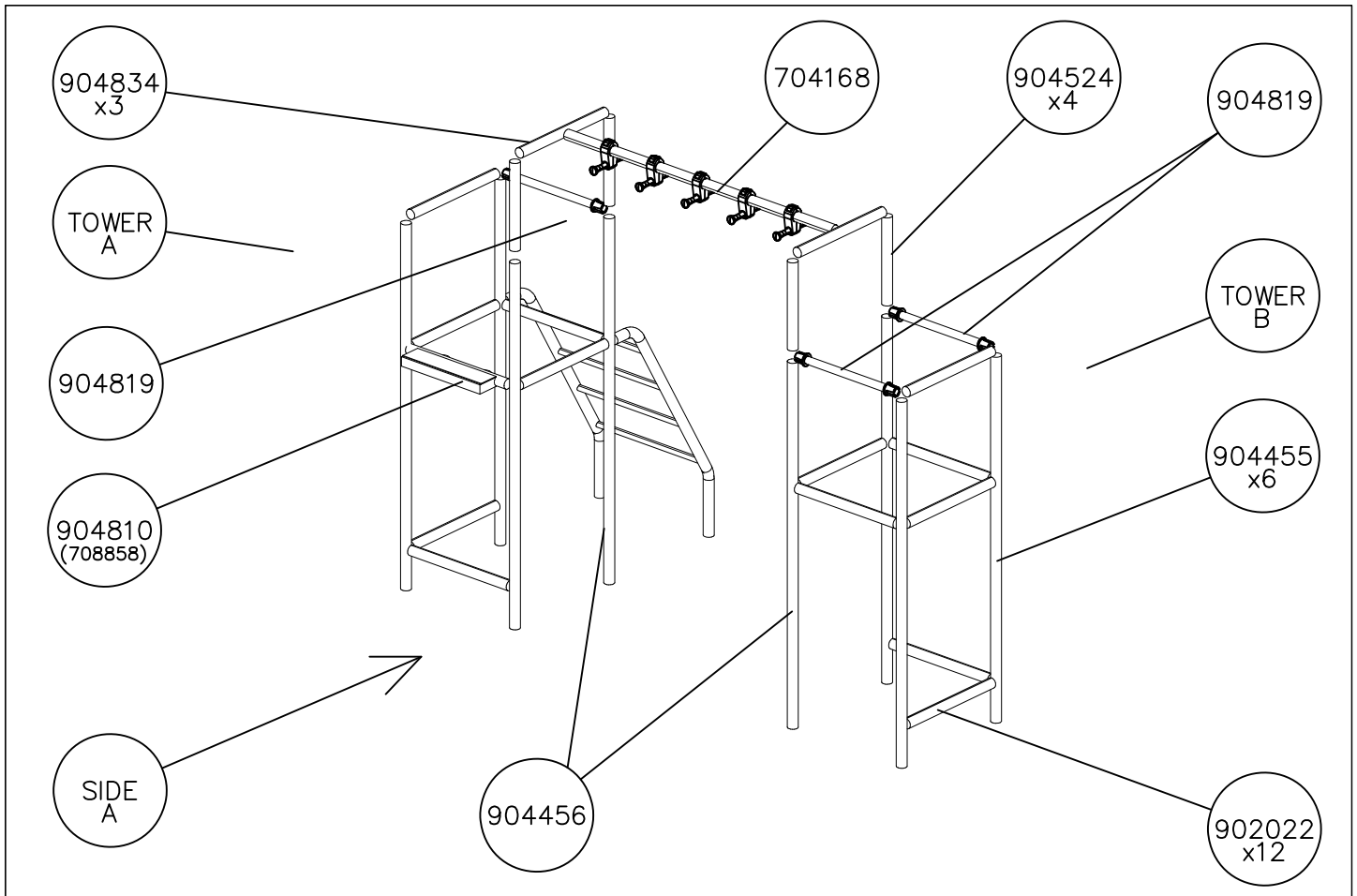
EN Impact Area 35.6 m<sup>2</sup>

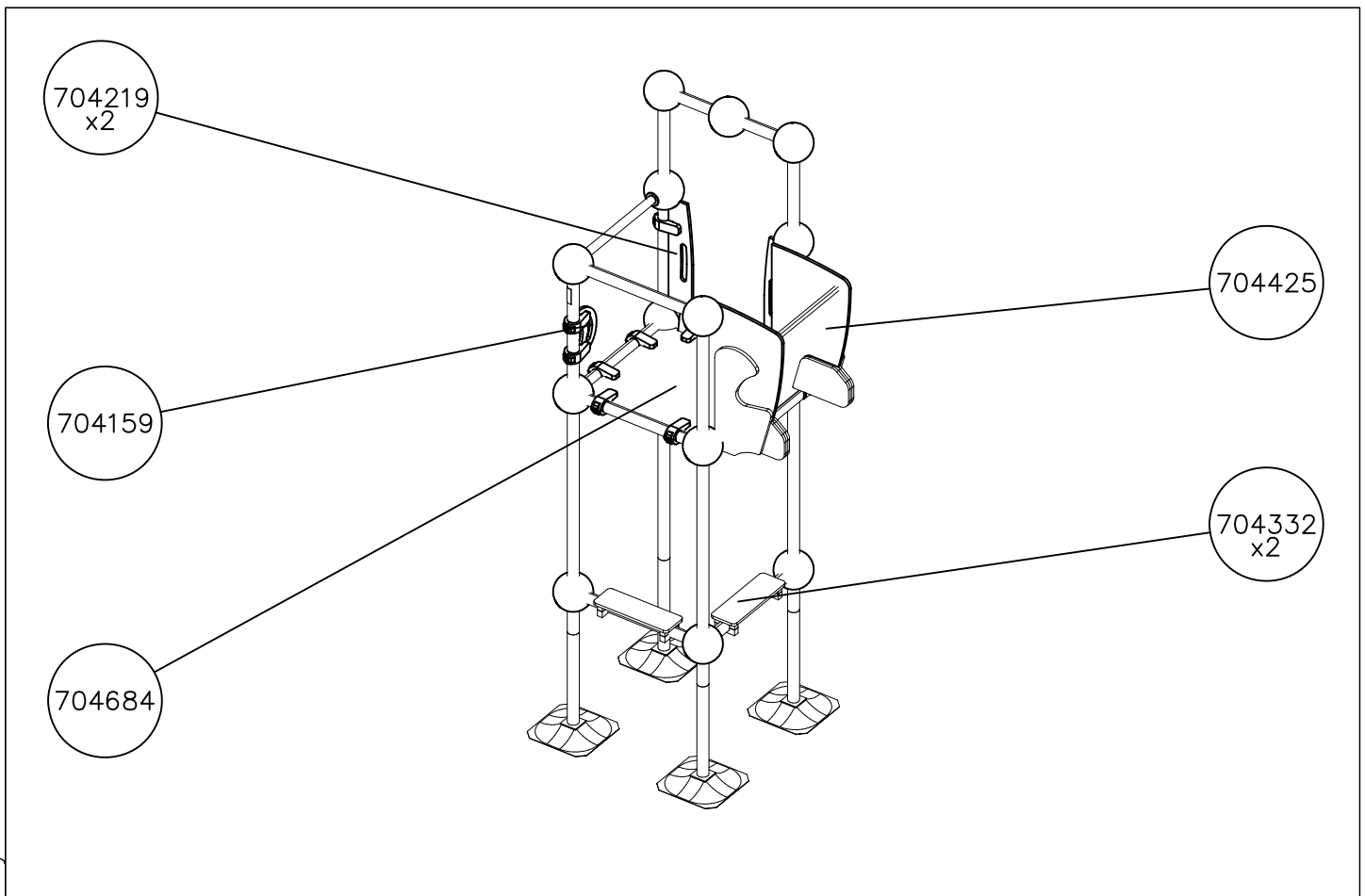
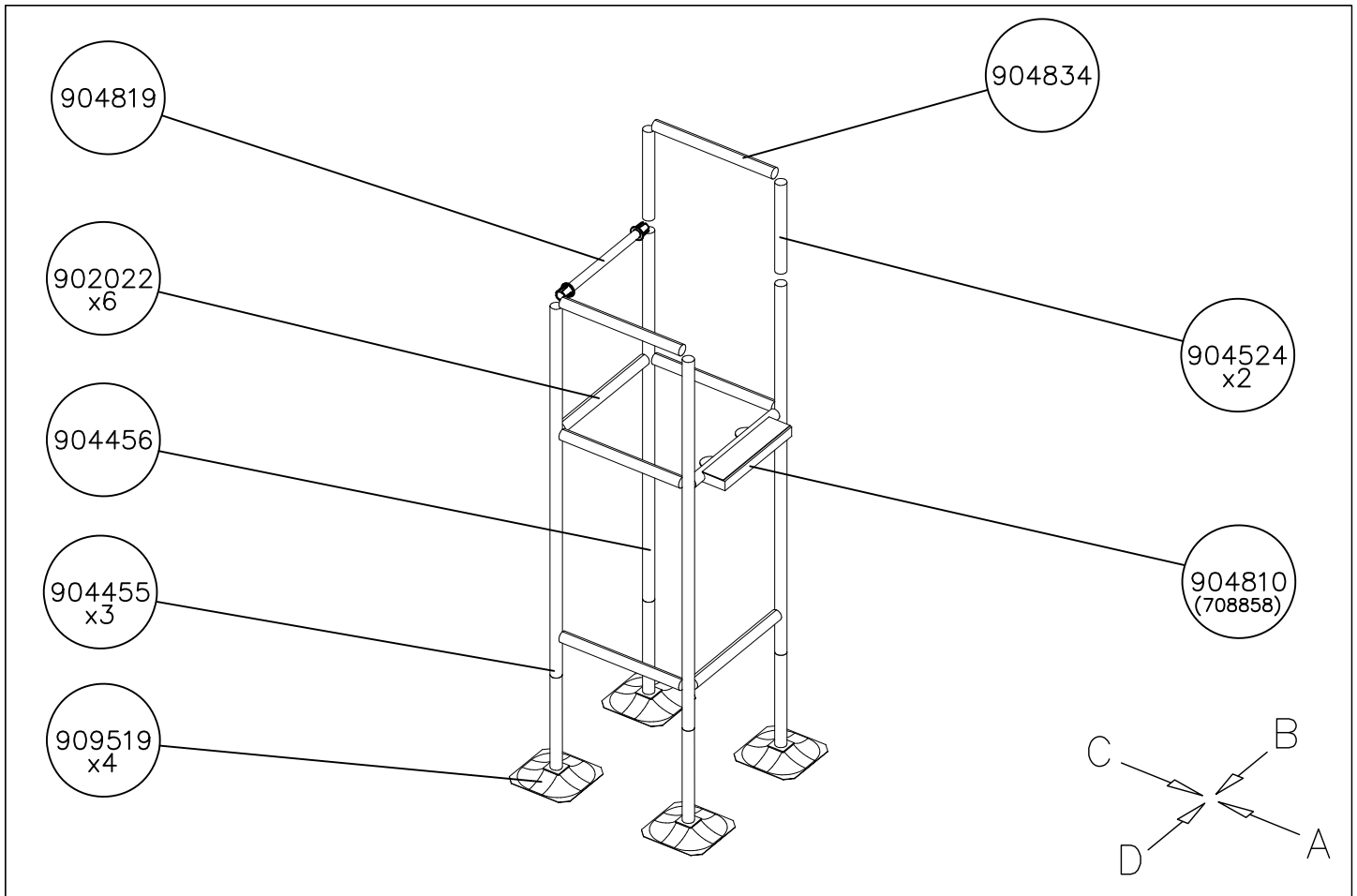
----- Falling Space 36.2 m<sup>2</sup>

Max Falling Height 1850 mm





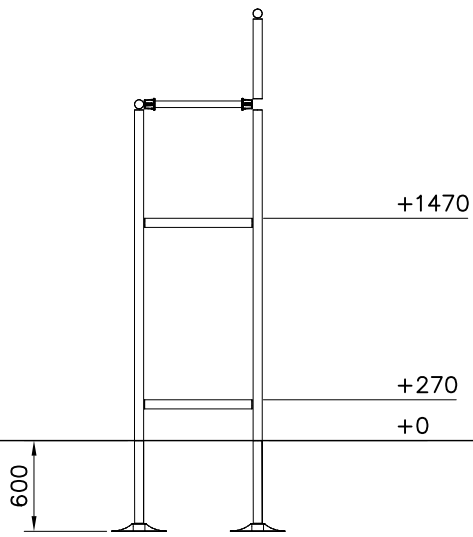




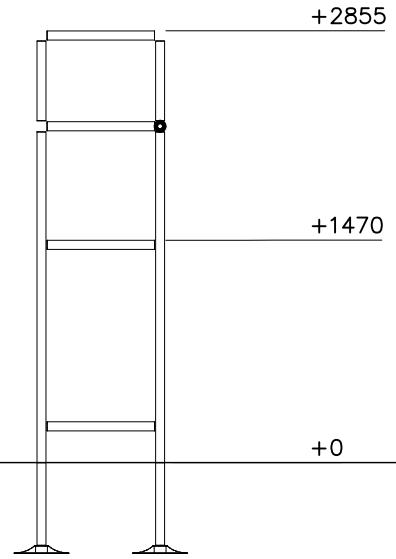


1:50

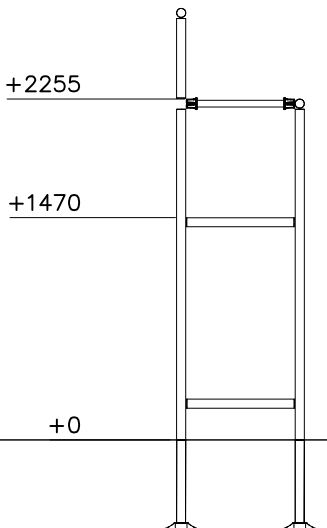
(A)



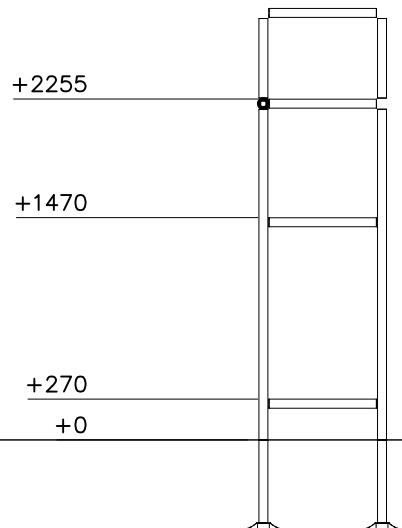
(B)

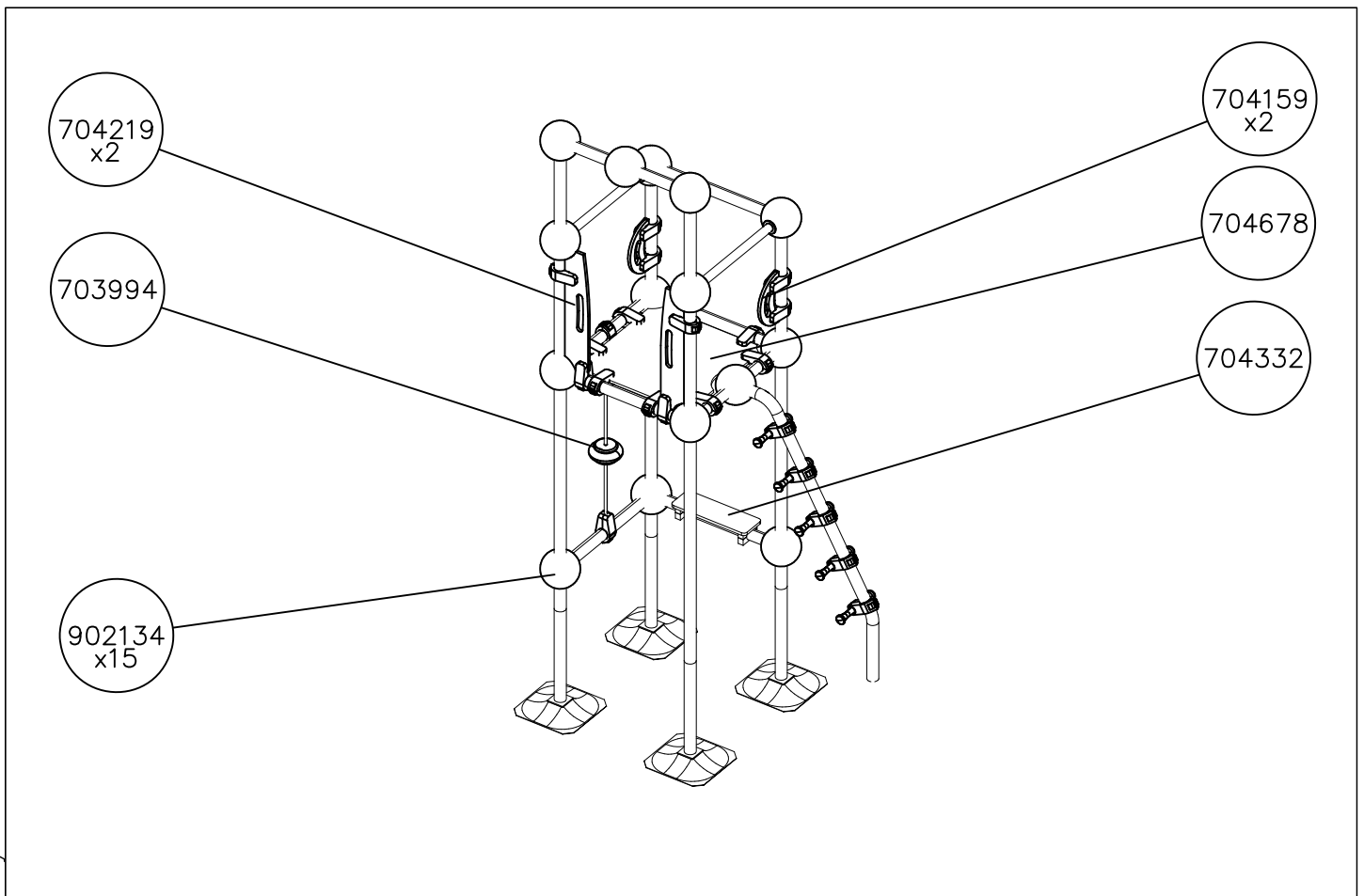
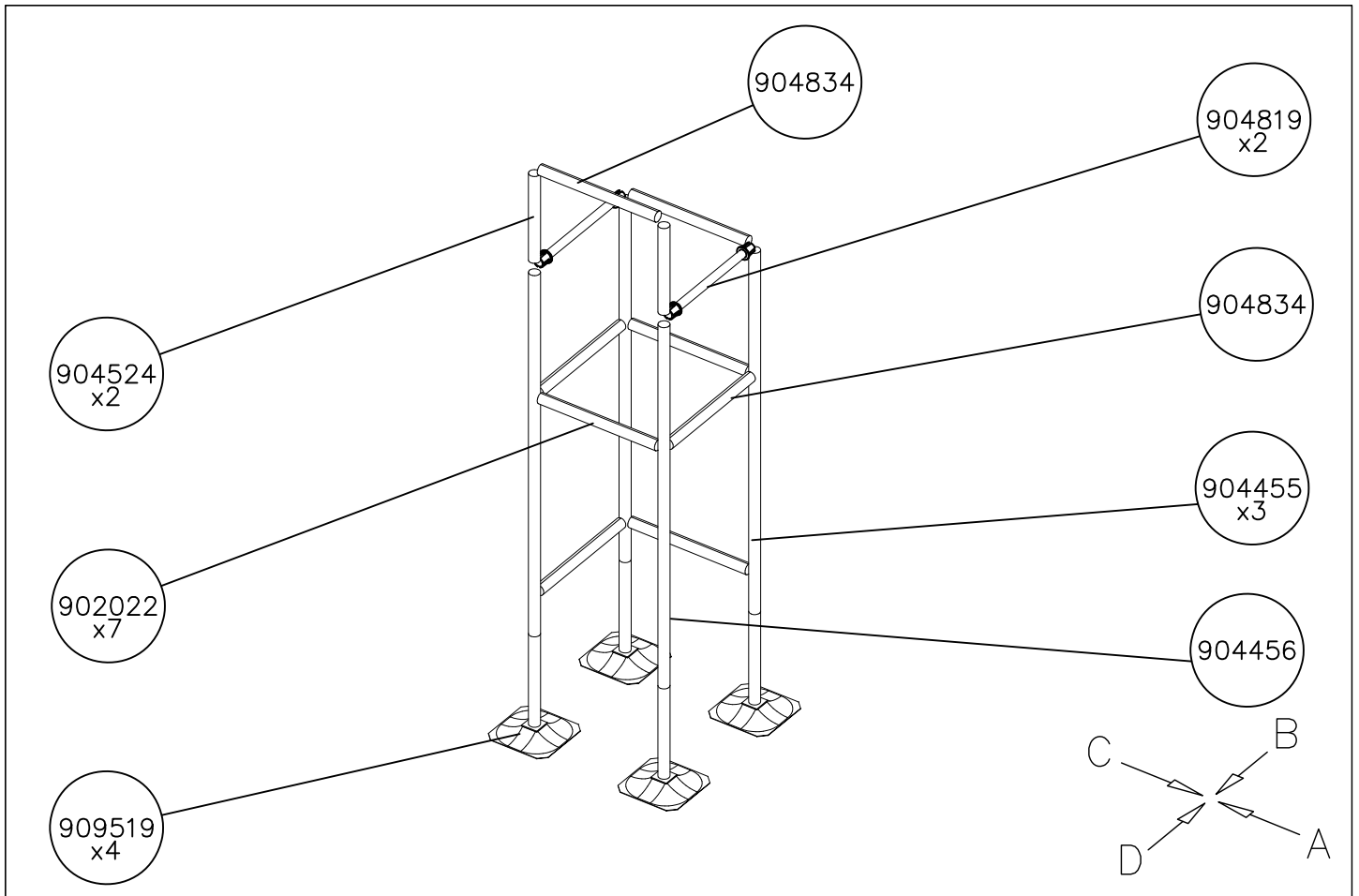


(C)



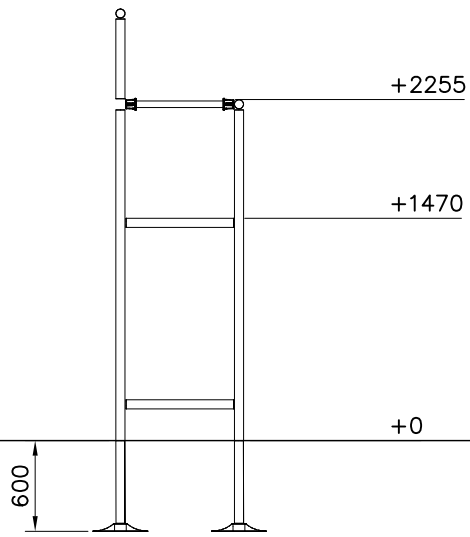
(D)



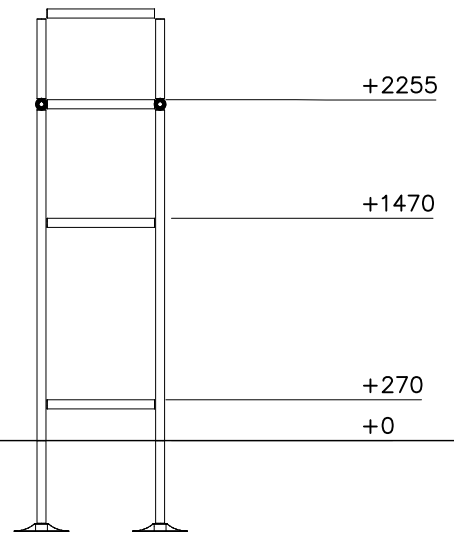


1:50

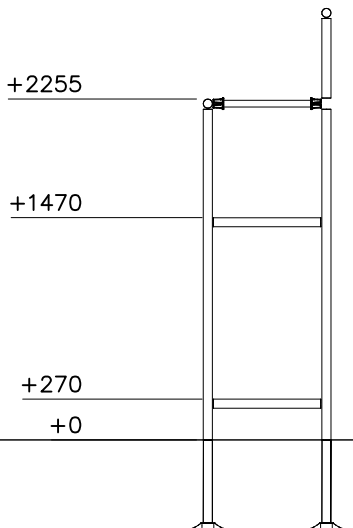
(A)



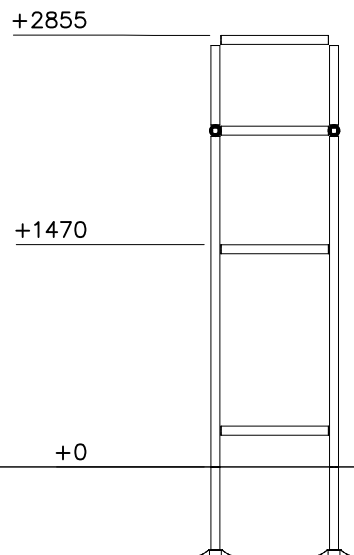
(B)

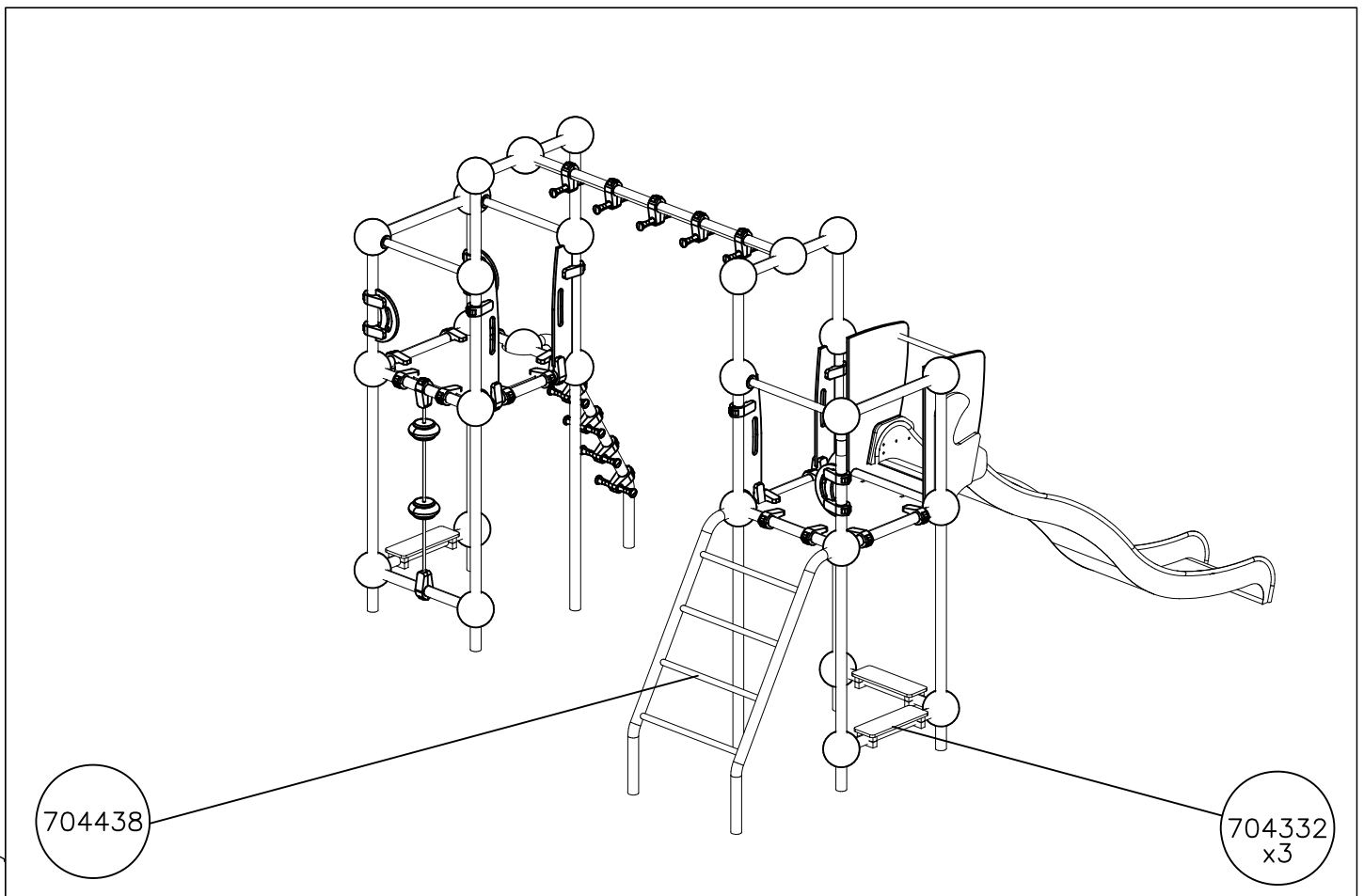
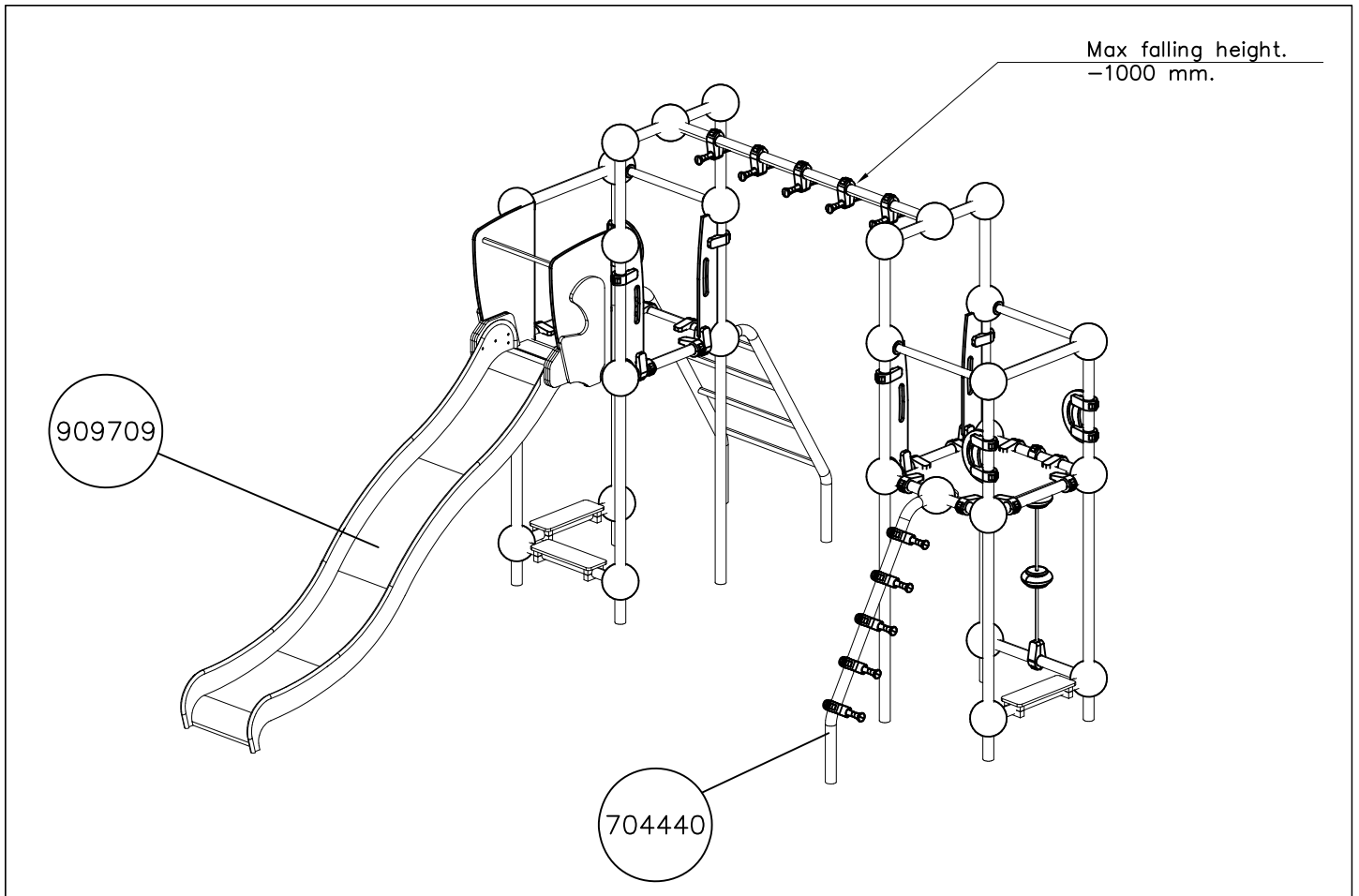


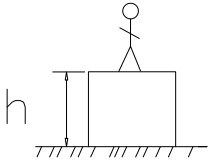



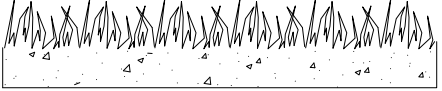
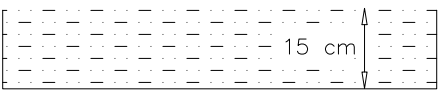
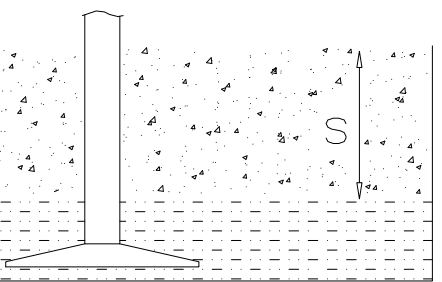
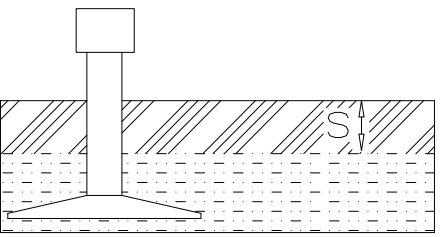
(C)



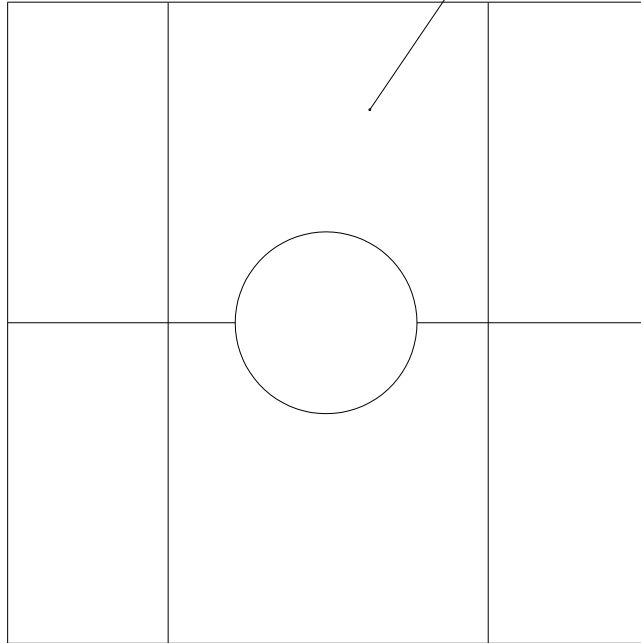
(D)



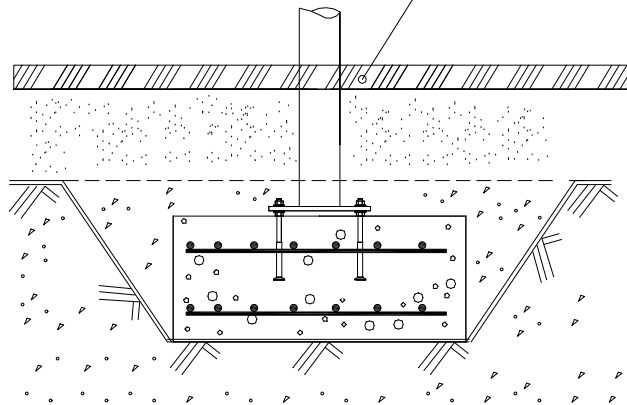


												
<p><b><math>h &lt; 600</math></b></p> <p>Without movement and therefore without Impact Area</p>	<p>Totally hard surfaces.</p> <p>Note. Lappset does <u>not recommend</u> totally hard surfaces at all.</p>	<p>E.g. concrete or asphalt</p> 										
<p><b><math>h &lt; 600</math></b></p> <p>With movement e.g. rocking</p>	<p>Materials with very limited impact attenuating properties.</p>	<p>E.g. wood</p> 										
<p><b><math>h &lt; 1000</math></b></p>	<p>Materials with significant impact attenuating properties.</p>	<p>fine gravel 0–8 mm</p>  <p>grass</p>  <p>unsorted sand</p> 										
<p><b><math>h &lt; 3000</math></b></p>	<p>Loose fill material</p> <p>E.g. sand/gravel 0,25...8 mm D60/D10&lt;3,0 Woodchips 5...30 mm bark 20...80 mm</p>	 <table data-bbox="1024 1691 1324 1780"> <tr> <td><math>\underline{S}</math></td> <td><math>\underline{h}</math></td> </tr> <tr> <td>30 cm</td> <td>&lt; 2,0 m</td> </tr> <tr> <td>40 cm</td> <td>&lt; 3,0 m</td> </tr> </table>	$\underline{S}$	$\underline{h}$	30 cm	< 2,0 m	40 cm	< 3,0 m				
$\underline{S}$	$\underline{h}$											
30 cm	< 2,0 m											
40 cm	< 3,0 m											
	<p>Syntethic granulates</p> <table data-bbox="406 1892 750 2060"> <tr> <td><math>\underline{S}</math></td> <td><math>\underline{h}</math></td> </tr> <tr> <td>40 mm</td> <td>~&gt; 1,2...1,3 m</td> </tr> <tr> <td>50 mm</td> <td>~&gt; 1,5...1,7 m</td> </tr> <tr> <td>60 mm</td> <td>~&gt; 1,8...2,0 m</td> </tr> <tr> <td>70 mm</td> <td>~&gt; 2,1...2,5 m</td> </tr> </table> <p>Note. For accurate values, see manufacturer's instructions.</p>	$\underline{S}$	$\underline{h}$	40 mm	~> 1,2...1,3 m	50 mm	~> 1,5...1,7 m	60 mm	~> 1,8...2,0 m	70 mm	~> 2,1...2,5 m	
$\underline{S}$	$\underline{h}$											
40 mm	~> 1,2...1,3 m											
50 mm	~> 1,5...1,7 m											
60 mm	~> 1,8...2,0 m											
70 mm	~> 2,1...2,5 m											

REMOVE SAFETY SURFACE/SAND/GRAVEL  
TO CHECK FOUNDATION



REMOVE SAFETY SURFACE/SAND/GRAVEL  
TO CHECK FOUNDATION

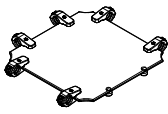
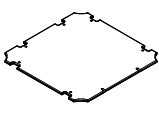
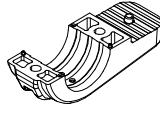
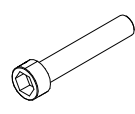
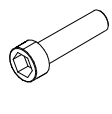
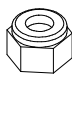
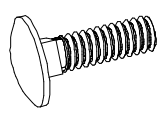
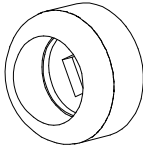
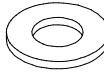
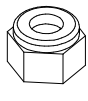
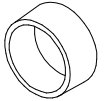
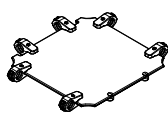
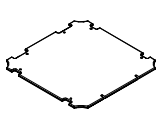
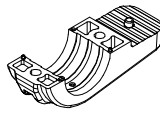
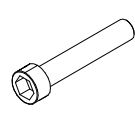
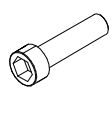
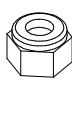
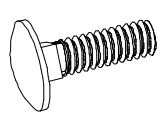
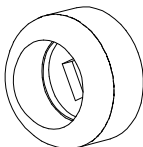
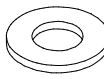
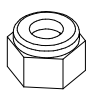
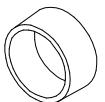
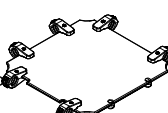
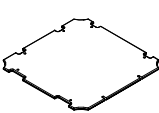
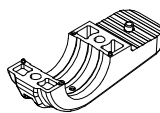
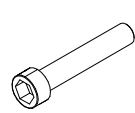
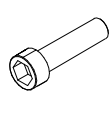
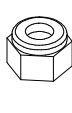
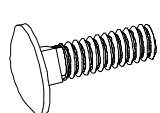
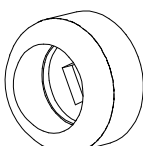
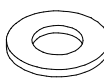
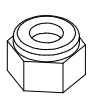
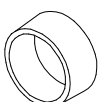


# WINAM GROUP FLOOR (SLIDE)

# CLOXX

DATE: 3.10.2013



○ 704432 	○ 704038 	PCS 1	○ 902124  150x50x50	PCS 12	○ 902232  M10x55	PCS 6	○ 902233  M10x30	PCS 6	○ 980161  M10	PCS 12		PCS
		PCS	○ 909109  M12x40	PCS 2	○ 905090  Ø45	PCS 2	○ 980154  Ø24/13	PCS 2	○ 909248  M12	PCS 2	○ 905115  Ø32	PCS 2
		PCS		PCS		PCS		PCS		PCS		PCS
○ 704447 	○ 704446 	PCS 1	○ 902124  150x50x50	PCS 12	○ 902232  M10x55	PCS 6	○ 902233  M10x30	PCS 6	○ 980161  M10	PCS 12		PCS
		PCS	○ 909109  M12x40	PCS 2	○ 905090  Ø45	PCS 2	○ 980154  Ø24/13	PCS 2	○ 909248  M12	PCS 2	○ 905115  Ø32	PCS 2
		PCS		PCS		PCS		PCS		PCS		PCS
○ 704666 	○ 704667 	PCS 1	○ 902124  150x50x50	PCS 12	○ 902232  M10x55	PCS 6	○ 902233  M10x30	PCS 6	○ 980161  M10	PCS 12		PCS
		PCS	○ 909109  M12x40	PCS 2	○ 905090  Ø45	PCS 2	○ 980154  Ø24/13	PCS 2	○ 909248  M12	PCS 2	○ 905115  Ø32	PCS 2
		PCS		PCS		PCS		PCS		PCS		PCS

# WINAM GROUP FLOOR (SLIDE)

# CLOXX

DATE: 3.10.2013



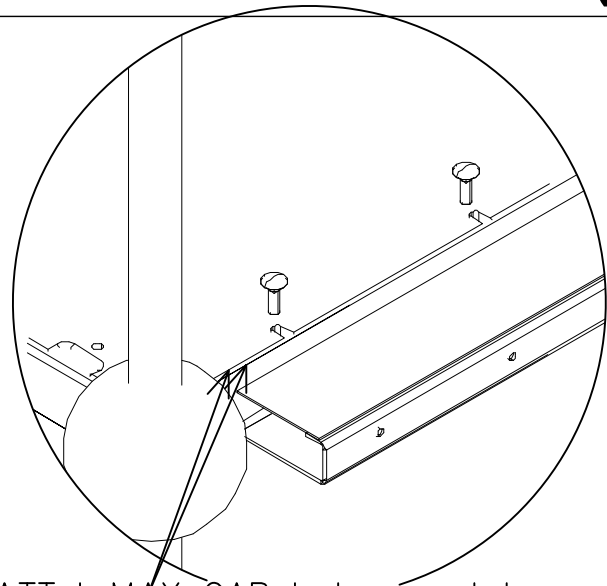
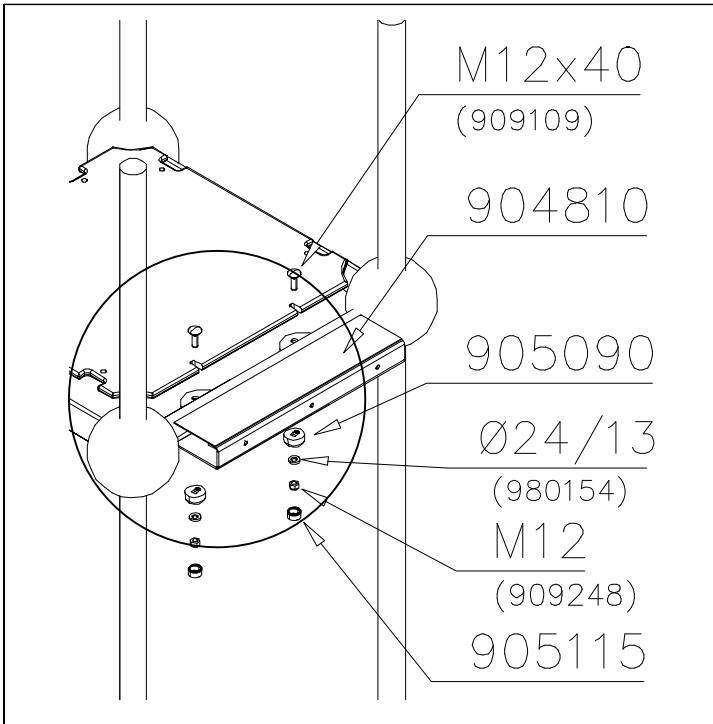
○ 704684 	○ 704685 	PCS 1	○ 902124  150x50x50	PCS 12	○ 902232  M10x55	PCS 6	○ 902233  M10x30	PCS 6	○ 980161  M10	PCS 12		PCS
		PCS	○ 909109  M12x40	PCS 2	○ 905090  Ø45	PCS 2	○ 980154  Ø24/13	PCS 2	○ 909248  M12	PCS 2	○ 905115  Ø32	PCS 2
		PCS		PCS		PCS		PCS		PCS		PCS
○ 704692 	○ 704693 	PCS 1	○ 902124  150x50x50	PCS 12	○ 902232  M10x55	PCS 6	○ 902233  M10x30	PCS 6	○ 980161  M10	PCS 12		PCS
		PCS	○ 909109  M12x40	PCS 2	○ 905090  Ø45	PCS 2	○ 980154  Ø24/13	PCS 2	○ 909248  M12	PCS 2	○ 905115  Ø32	PCS 2
		PCS		PCS		PCS		PCS		PCS		PCS
		PCS		PCS		PCS		PCS		PCS		PCS
		PCS		PCS		PCS		PCS		PCS		PCS



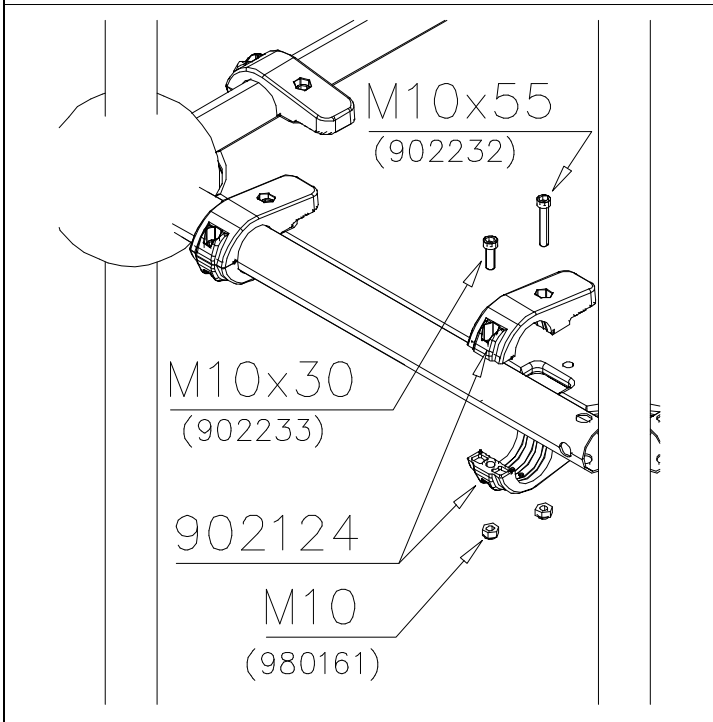
# WINAM GROUP FLOOR (SLIDE)

# CLOXX

DATE: 3.10.2013

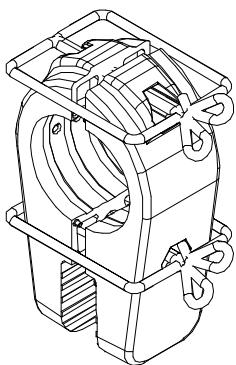
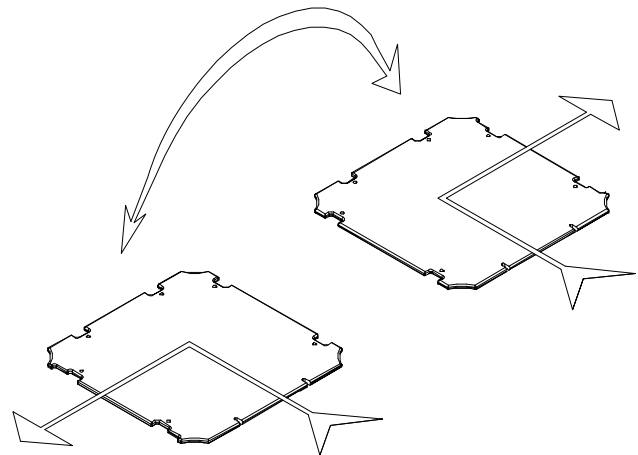


ATT ! MAX GAP between plate and tube is 6mm  
HUOM ! MAKSIMI VÄLI lattialevyllä ja putkella on 6mm



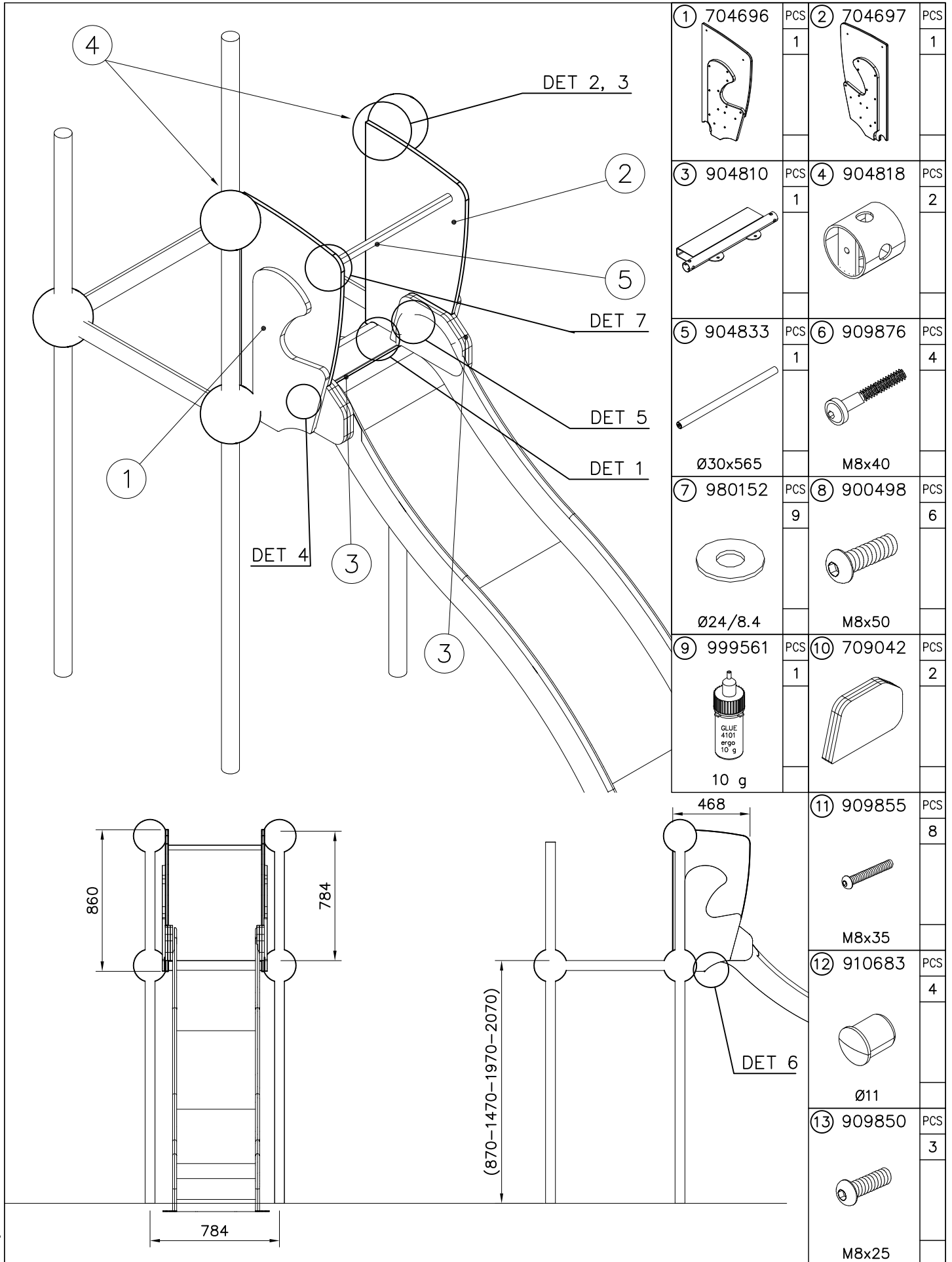
KÄYTÄ TARVITTAESSA SAMAA LEVYÄ VASEMALLE TAI OIKEALLE.

IF NECESSARY USE SAME PLATE LEFT OR RIGHT.



NOTE:  
Use a wire marked pairs of the same junction.

Huom!  
Käytä langalla merkittyä paria samassa liitoksessa.

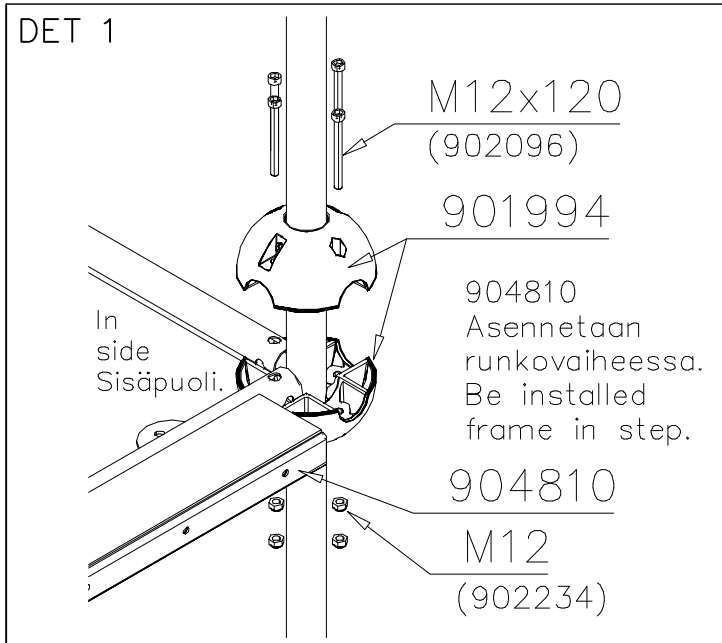
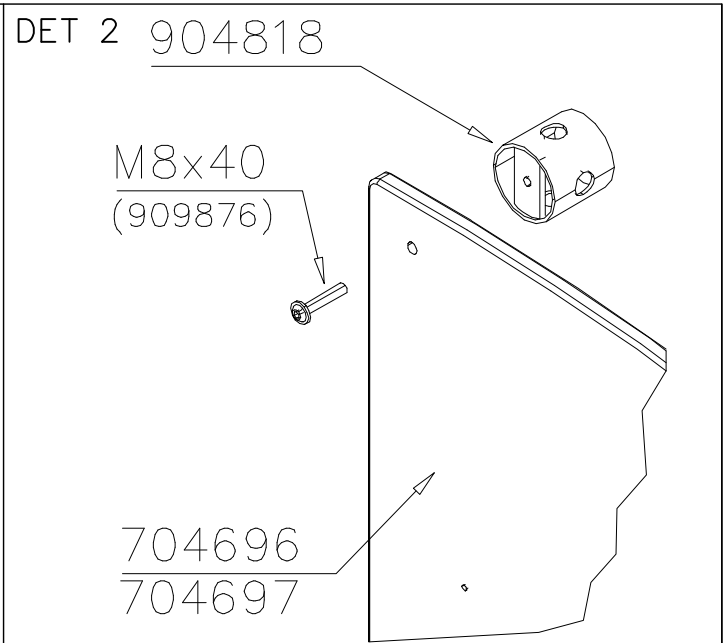
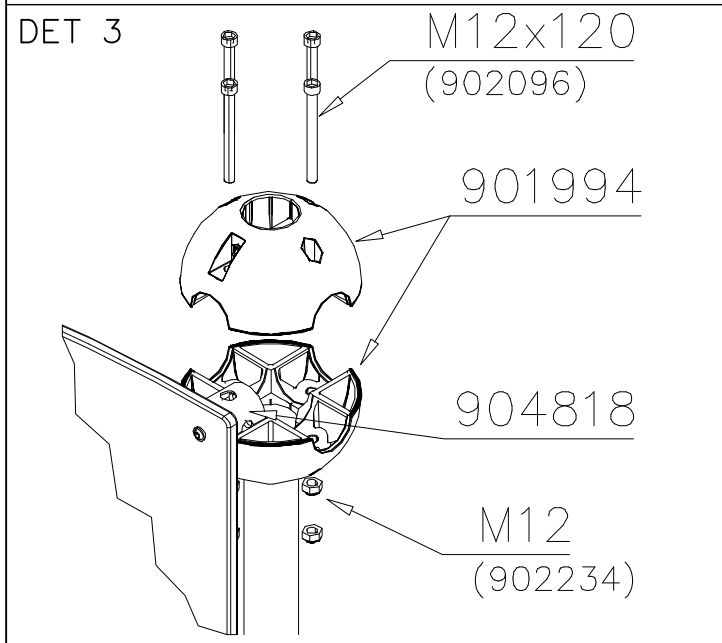
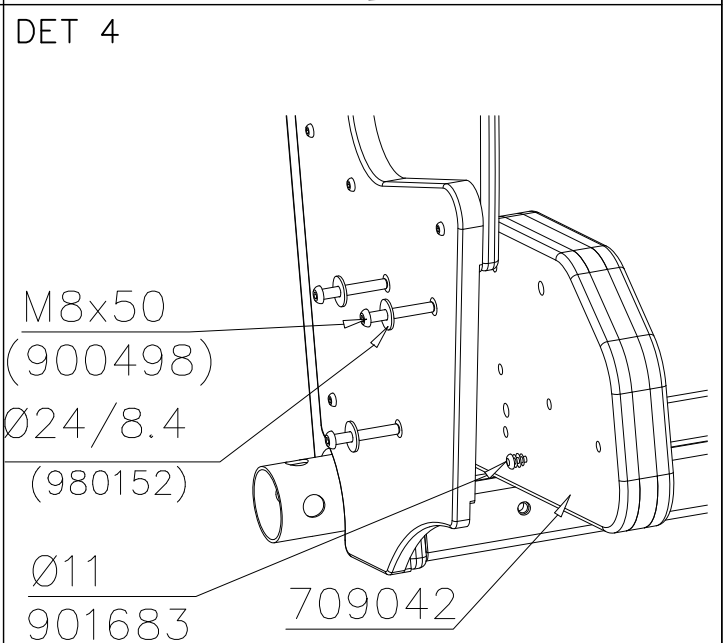
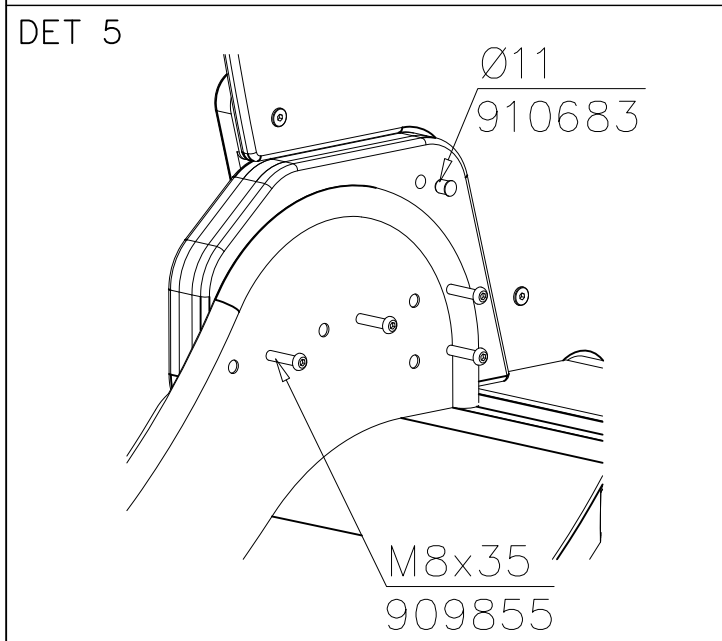
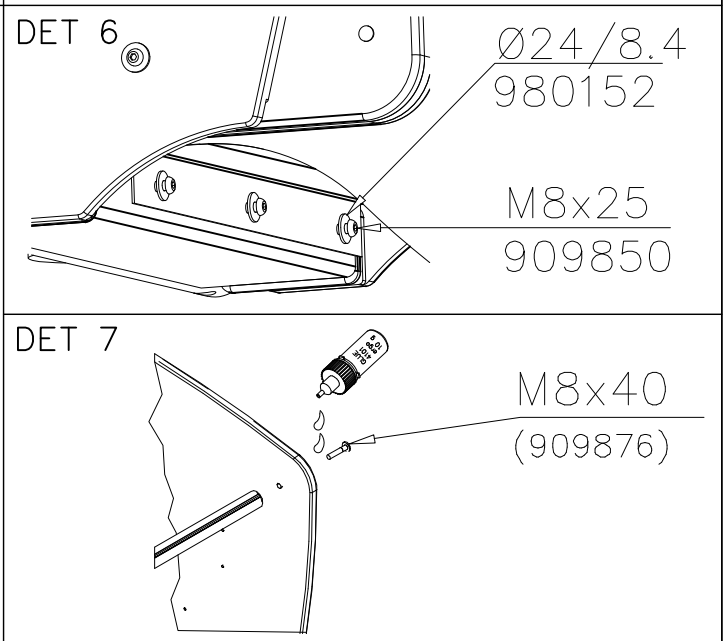
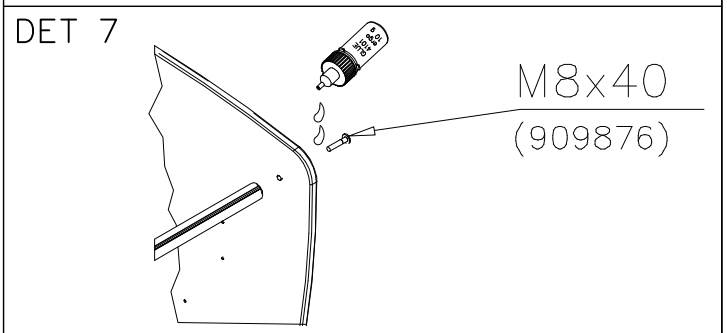


Exploded view diagram of playground equipment assembly. Callouts 1-13 identify components. DET 1-7 identify sub-assemblies. Dimensions are provided for vertical and horizontal measurements.

Callout	Part Number	Unit	Quantity
1	704696	PCS	1
2	704697	PCS	1
3	904810	PCS	1
4	904818	PCS	2
5	904833	PCS	1
6	909876	PCS	4
7	980152	PCS	9
8	900498	PCS	6
9	999561	PCS	1
10	709042	PCS	2
11	909855	PCS	8
12	910683	PCS	4
13	909850	PCS	3

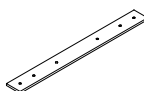



Dimensions:

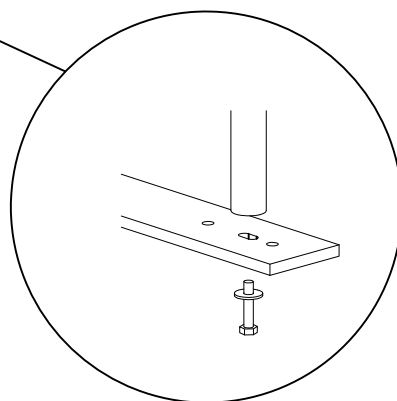
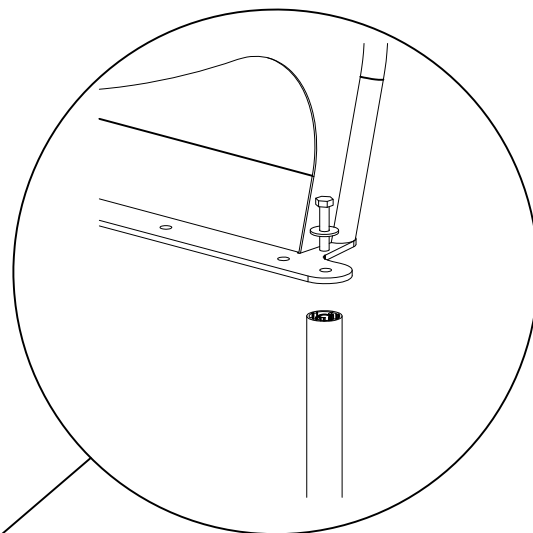
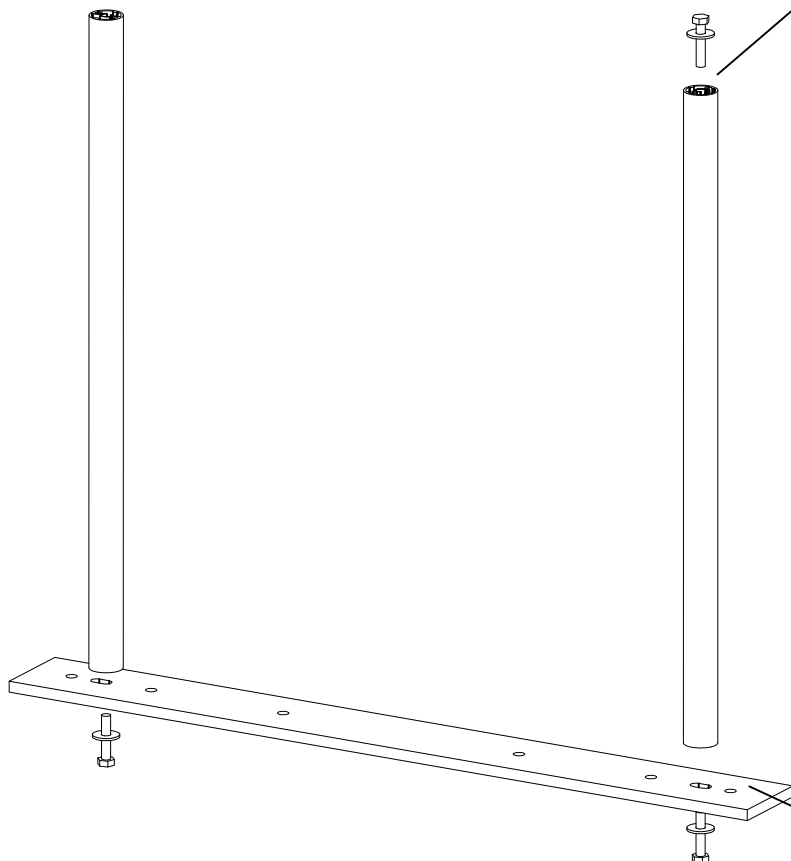
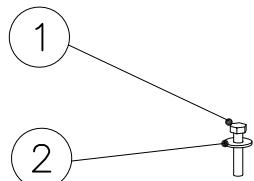
- Vertical dimension: 860
- Vertical dimension: 784
- Horizontal dimension: 784
- Vertical dimension: (870-1470-1970-2070)
- Horizontal dimension: 468

<p>DET 1</p>  <p>M12x120 (902096)</p> <p>901994</p> <p>904810 Asennetaan runkoviheessa. Be installed frame in step.</p> <p>M12 (902234)</p> <p>In side Sisäpuoli.</p>	<p>DET 2 904818</p>  <p>M8x40 (909876)</p> <p>704696 704697</p>
<p>DET 3</p>  <p>M12x120 (902096)</p> <p>901994</p> <p>904818</p> <p>M12 (902234)</p>	<p>DET 4</p>  <p>M8x50 (900498)</p> <p>Ø24/8.4 (980152)</p> <p>Ø11 901683</p> <p>709042</p>
<p>DET 5</p>  <p>Ø11 910683</p> <p>M8x35 909855</p>	<p>DET 6</p>  <p>Ø24/8.4 980152</p> <p>M8x25 909850</p> <p>DET 7</p>  <p>M8x40 (909876)</p>

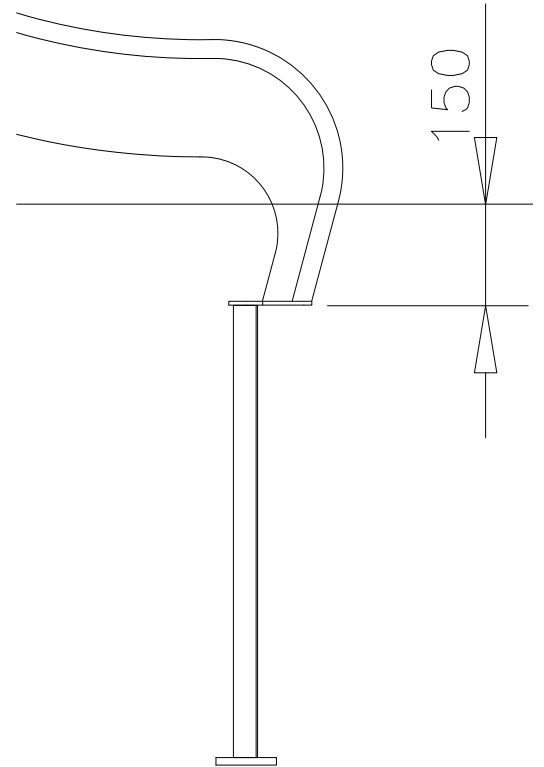
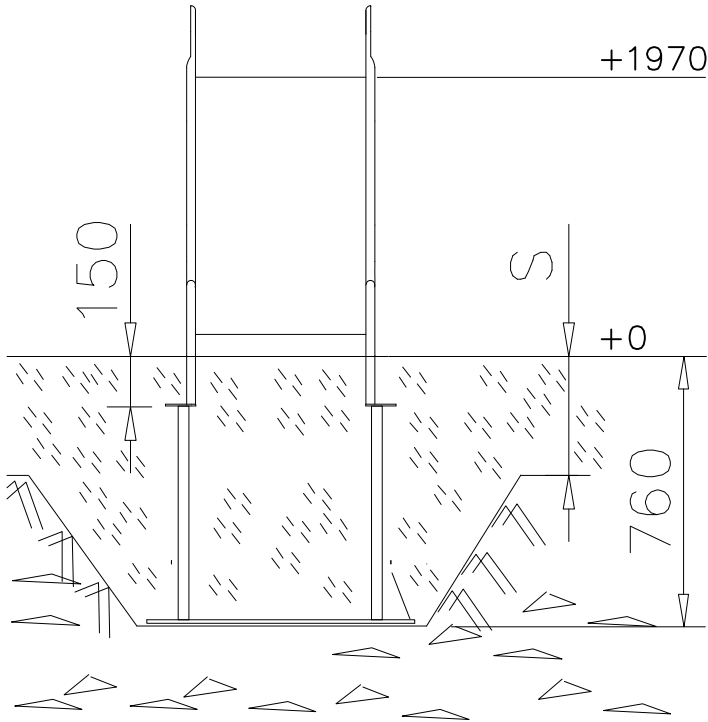
### DEEP FOUNDATION

DATE: 11.2.2019

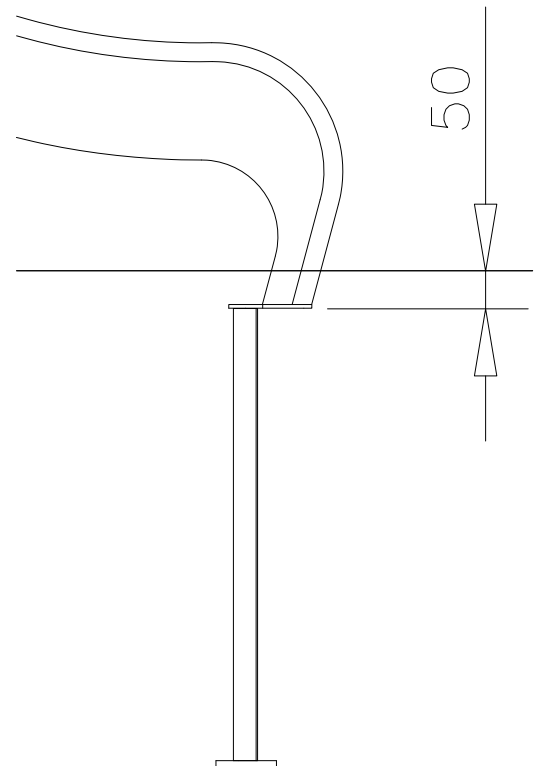
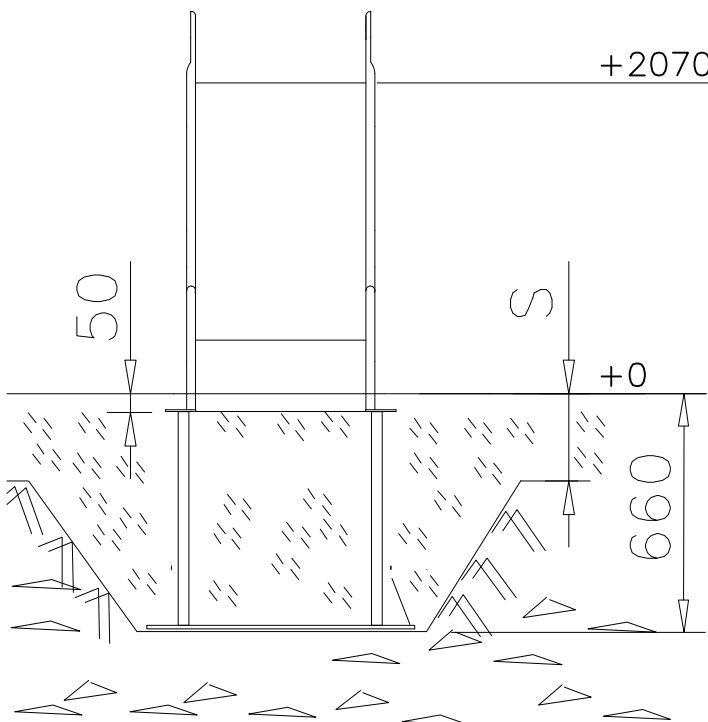
○ 707133	PCS	○ 901868	PCS	① 909210	PCS	② 905051	PCS
	1		2		4		4
							
10x80x745		Ø30x598		M8x40		Ø24/8.4	

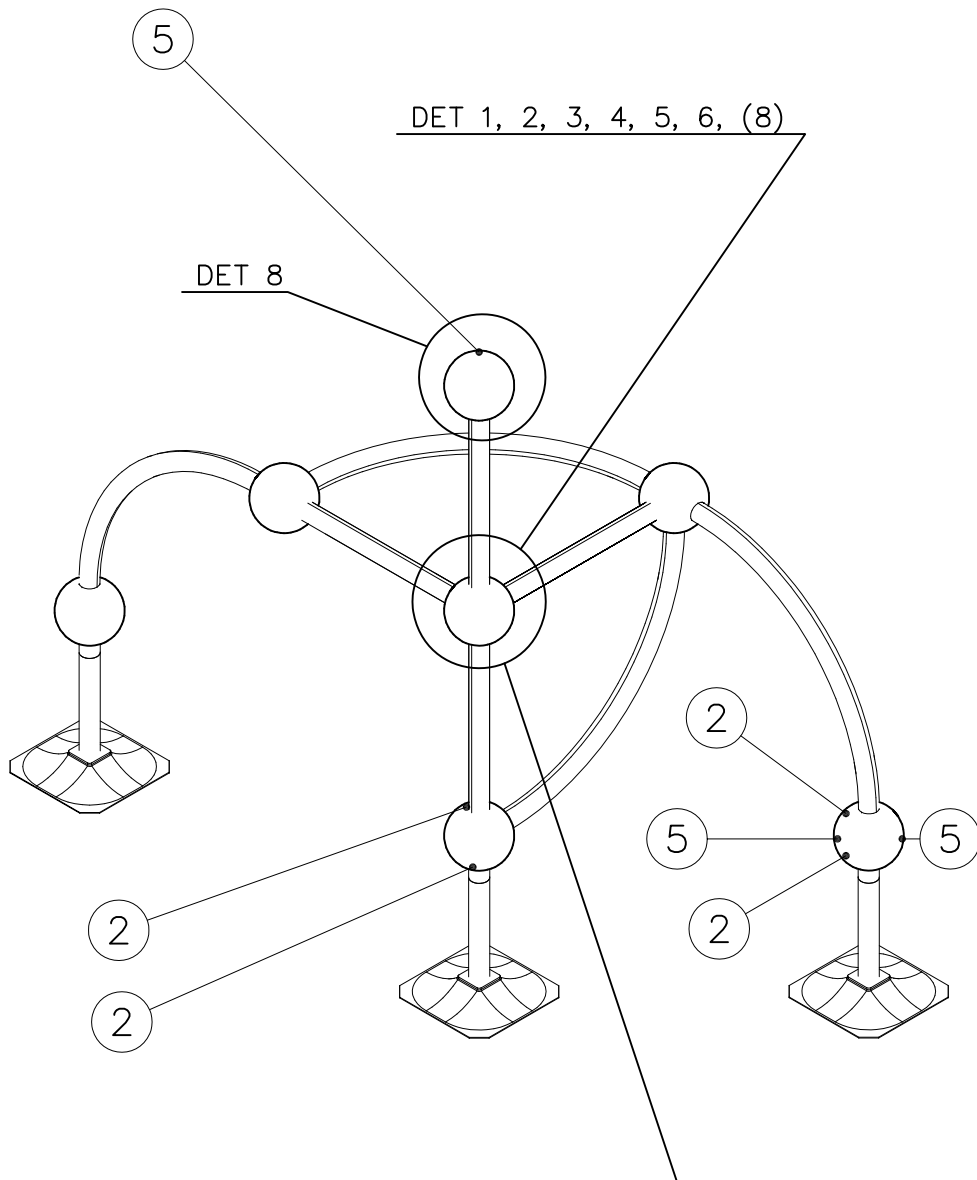


Floor level +1970

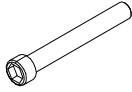

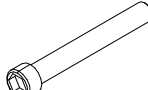



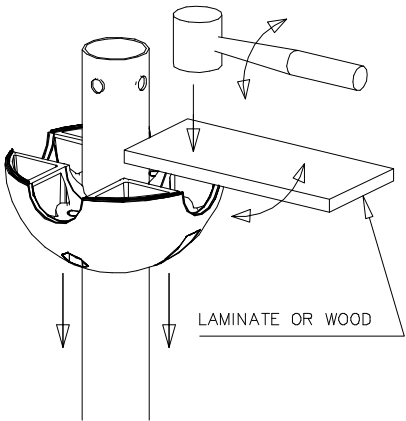
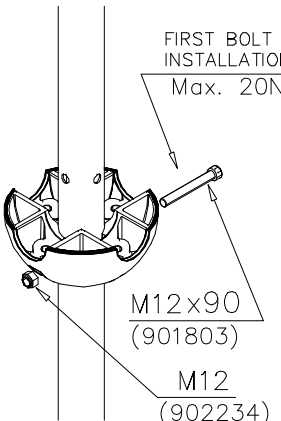
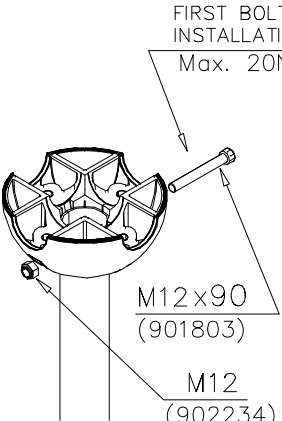
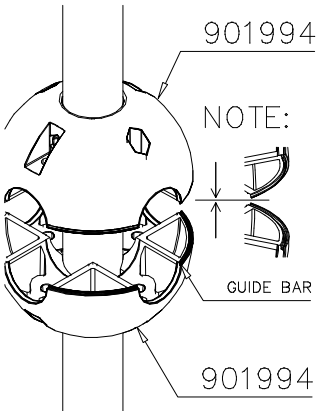
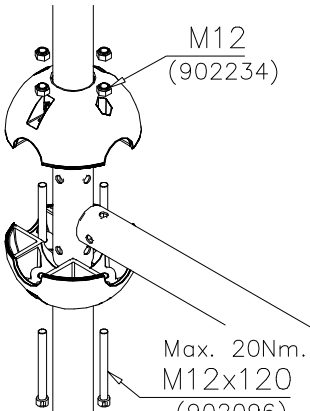
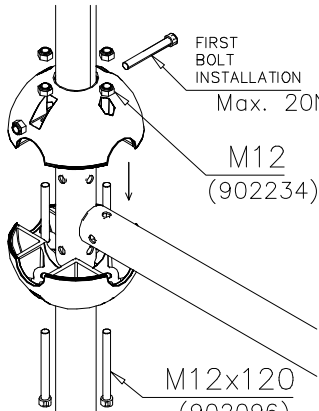
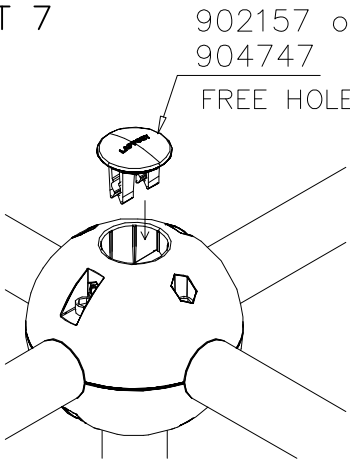
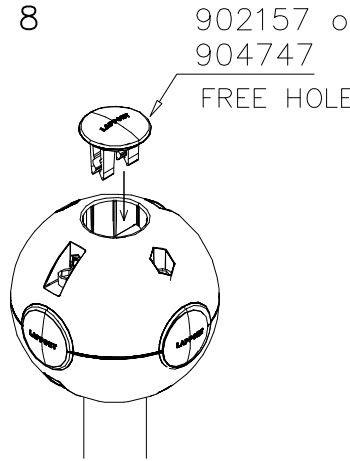
Floor level +2070

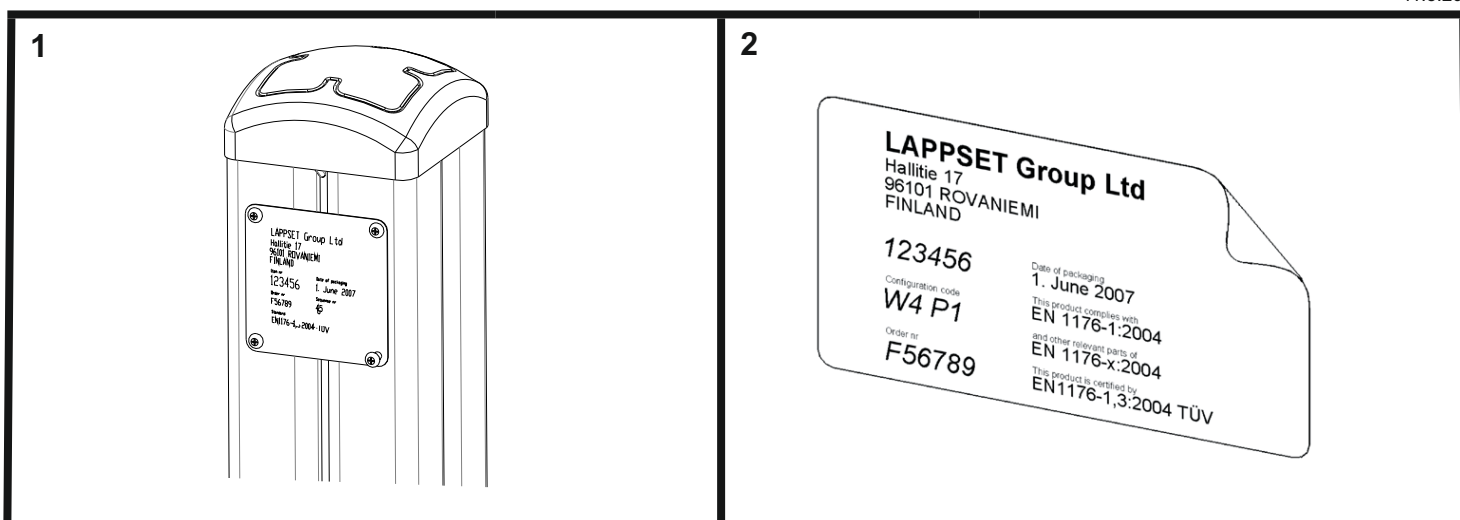




DO NOT TIGHTEN THE  
JOINTS UNTIL THE  
STRUCTURE IS COMPLETE.

① 901803	PCS	② 901994	PCS
	2		2
M12x90		Ø190	
③ 902096	PCS	④ 902234	PCS
	4		6
M12x120		M12	
	PCS		PCS
	PCS		PCS
	PCS		PCS
	PCS		PCS
	PCS		PCS
	PCS		PCS

<p>DET 1</p>  <p>LAMINATE OR WOOD</p>	<p>DET 2</p>  <p>FIRST BOLT INSTALLATION Max. 20Nm.</p> <p>M12x90 (901803)</p> <p>M12 (902234)</p>	<p>DET 3</p>  <p>FIRST BOLT INSTALLATION Max. 20Nm.</p> <p>M12x90 (901803)</p> <p>M12 (902234)</p>
<p>DET 4</p>  <p>901994</p> <p>NOTE:</p> <p>GUIDE BAR</p> <p>901994</p>	<p>DET 5</p>  <p>M12 (902234)</p> <p>Max. 20Nm. M12x120 (902096)</p>	<p>DET 6</p>  <p>FIRST BOLT INSTALLATION Max. 20Nm.</p> <p>M12 (902234)</p> <p>M12x120 (902096)</p>
<p>REMEMBER FINAL TIGHTENING</p>	<p>DET 7</p>  <p>902157 or 904747</p> <p>FREE HOLE</p>	<p>DET 8</p>  <p>902157 or 904747</p> <p>FREE HOLE</p>



**Tuotekyltti tulee tuotteen mukana yhdellä seuraavista tavoista:**

**1) Metallinen tuotekyltti ja kiinnitysruuvit**

- Kiinnitä tuotekyltti ruuveilla tolppaan noin 2 metrin korkeuteen kuvan 2 mukaisesti.

**2) Tuotekylttitarra**

- Puhdista maalattu metalli- tai vaneripinta pölystä ja kosteudesta. Liimaa tarra kuvan 3 mukaisesti.
- Huom. Älä kiinnitä tarraa karheapintaiseen laminaattiin tai maalattuun puuhun.

**Vår produktmärkning levereras på ett av följande sätt:**

**1) Produktskylt i metall**

- Fäst skylten med de medföljande skruvarna

**2) Självhäftande produktetikett**

- Rengör den pulverlackerad metallytan eller laminerad ytan så att den blir fri från smuts och fukt. Fäst etiketten enligt fig. 3.
- Obs! Fäst ej etiketten på detaljer med skrovlig yta eller på målat trä.

**Product label is delivered by one of following ways:**

**1) Metal product label and screws**

- Fasten the label with screws.

**2) Label sticker**

- Clean the painted metal or plywood surface from dirt and moisture. Fasten the sticker as shown in the figure 3.
- Note. Do not attach the sticker to rough surfaced laminate or painted wood.

**La plaque d'informations produit est livrée sous l'une de ces 3 formes :**

**1) Plaque métallique et vis**

- Fixez la plaque à l'aide des vis.

**2) Etiquette autocollante**

- Avant de coller l'étiquette, nettoyez le composant métallique peint ou la plaque de contreplaqué, de toute saleté. La surface doit être sèche (voir image 3).
- Attention, ne pas coller l'étiquette sur une surface lamellé-collée irrégulière ou sur du bois peint.

**Die Auslieferung des Produktaufklebers erfolgt auf eine dieser Arten:**

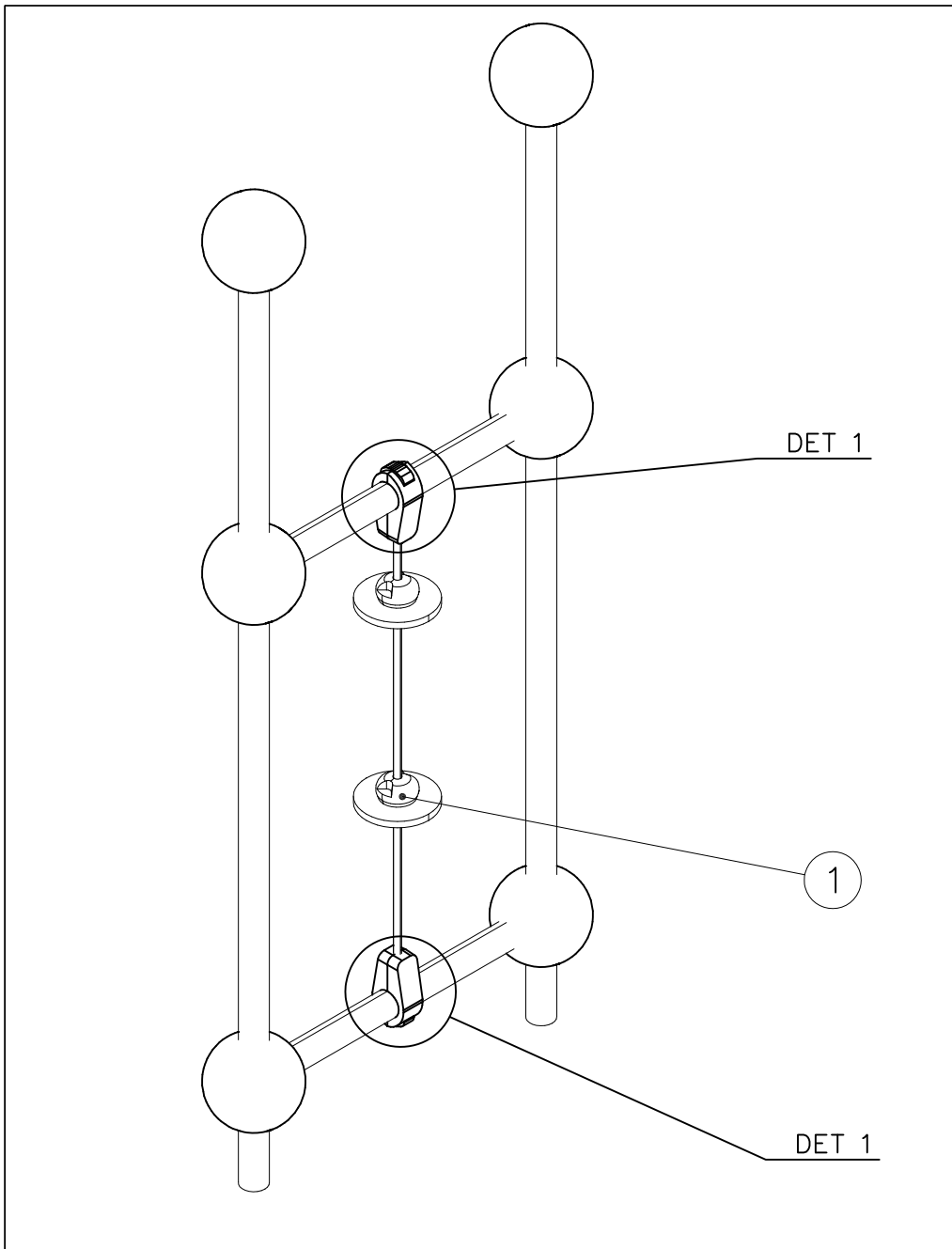
**1) Produkt-Schild aus Metall incl. Schrauben**


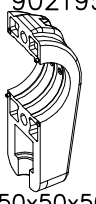
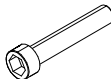
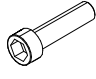
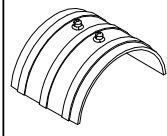
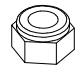
- Die Befestigung des Schildes erfolgt mittels der Schrauben.

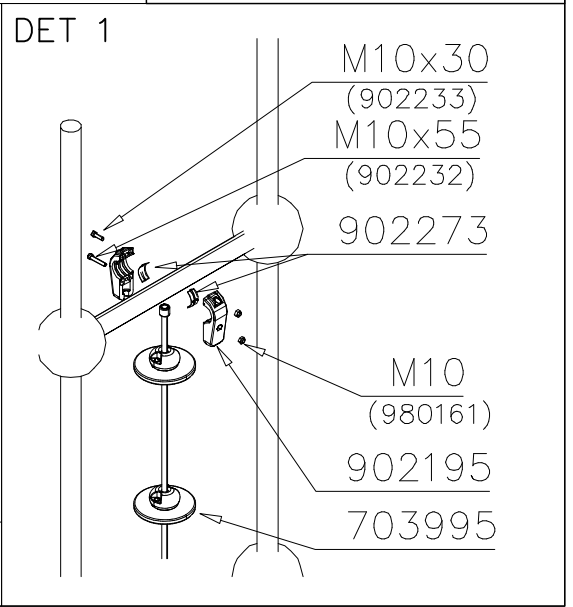
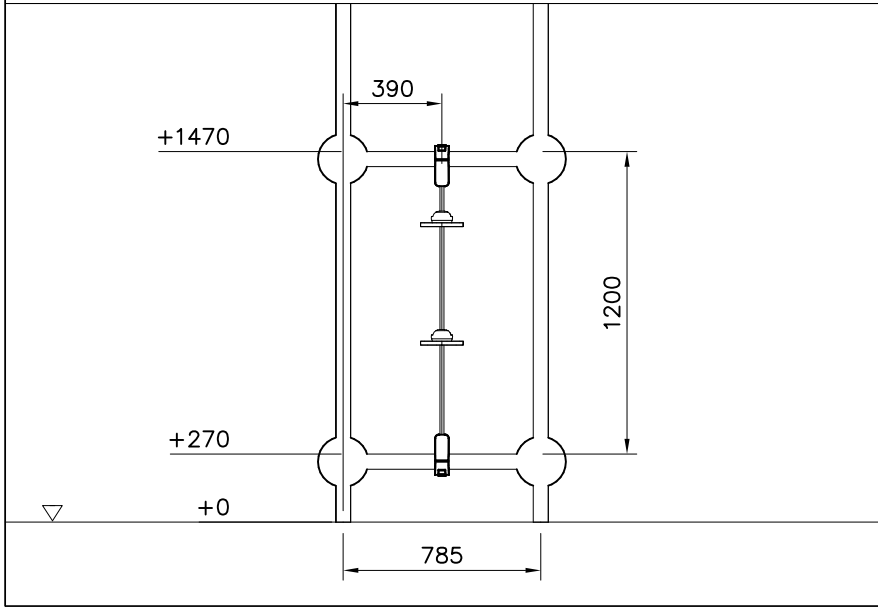
**2) Aufkleber**

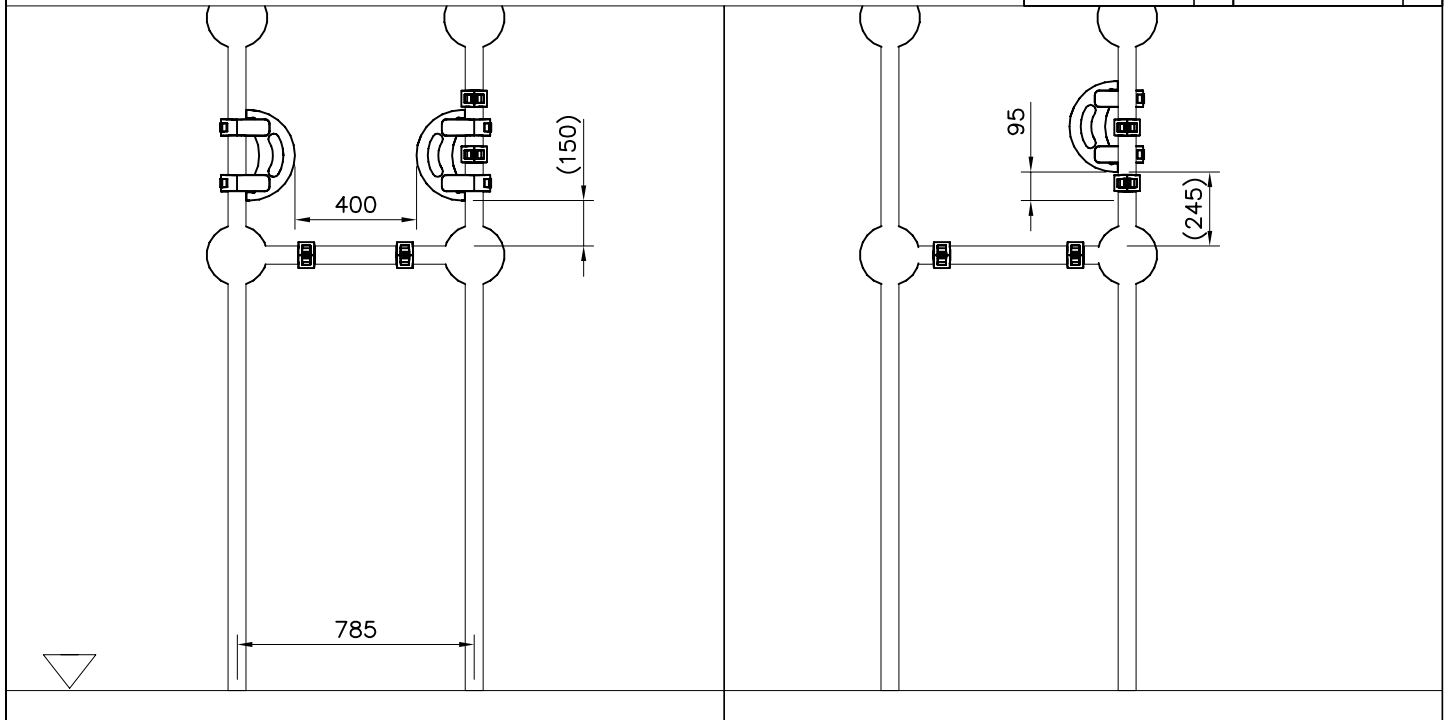
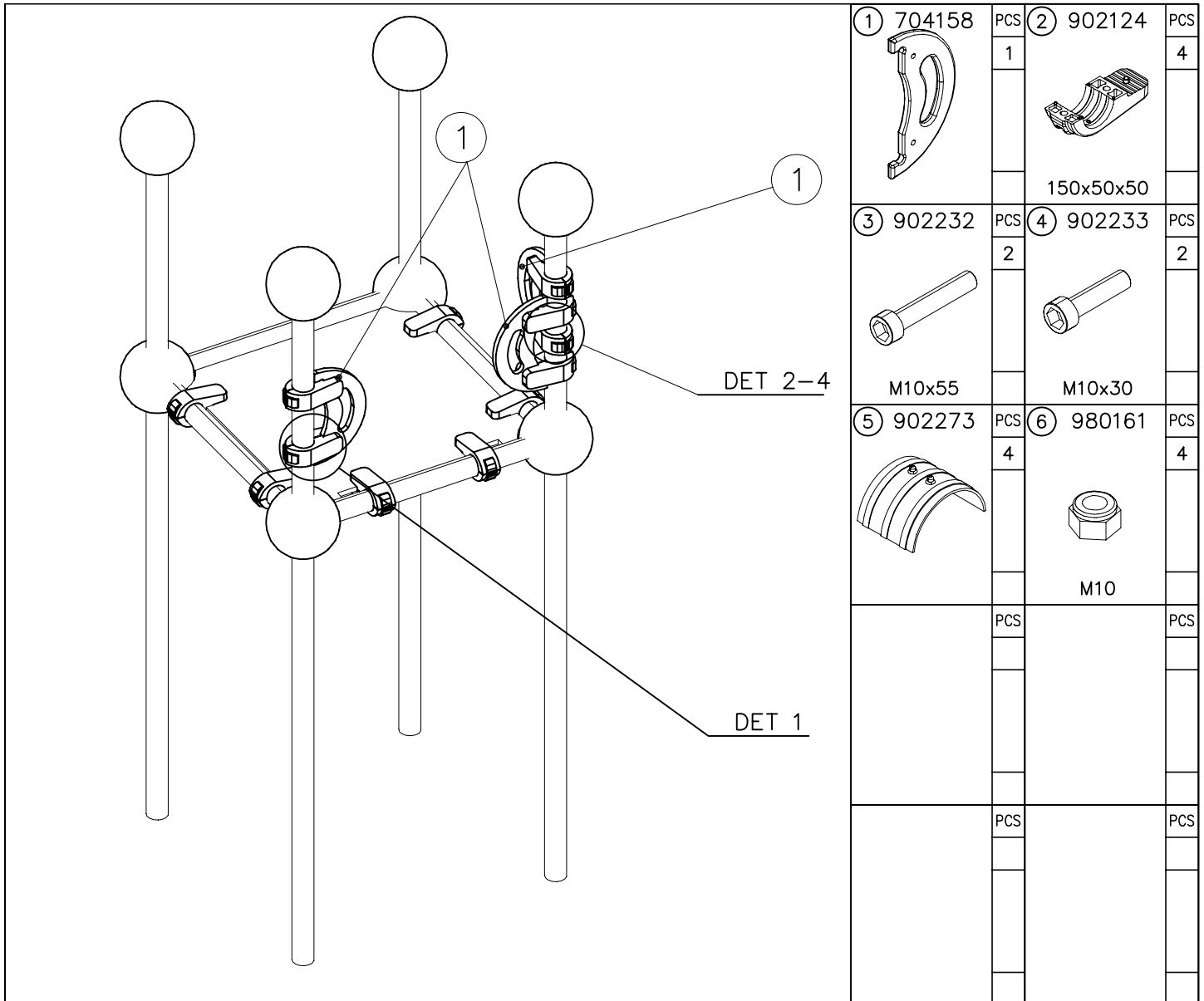
- Entfernen Sie zunächst Schmutz und Feuchtigkeit vom lackierten Metall bzw. von der Holzoberfläche und bringen Sie den Aufkleber wie im Bild oben rechts beschrieben auf den gesäuberten Untergrund auf.
- Beachten Sie: Bringen Sie den Aufkleber nicht auf raues laminiertes oder lackiertes Holz an.

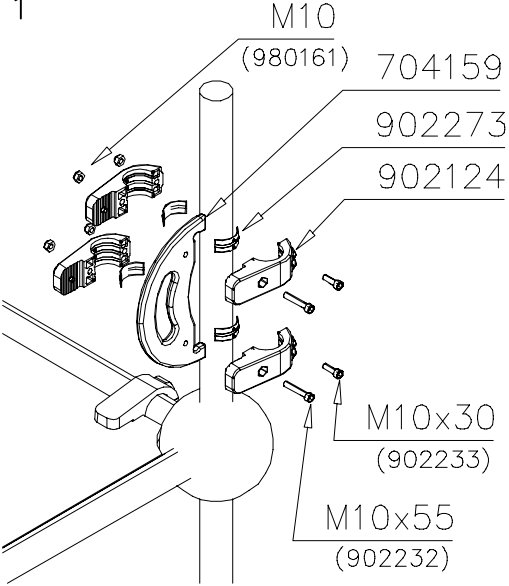
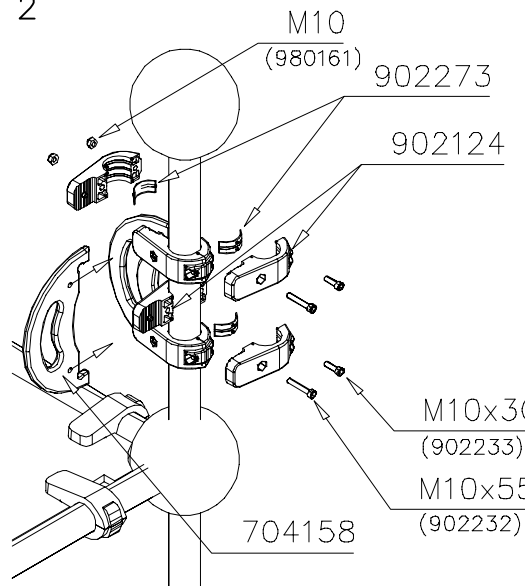
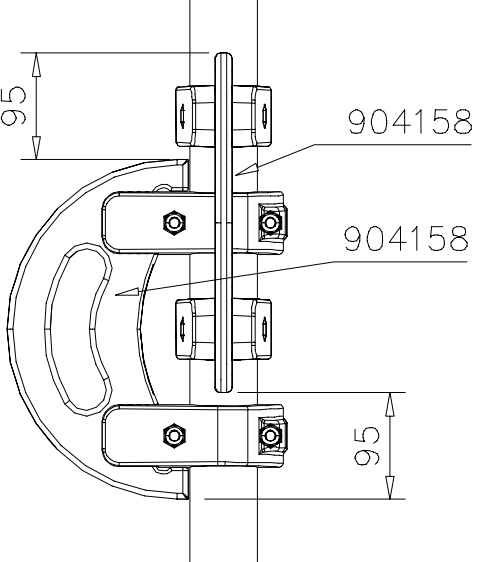
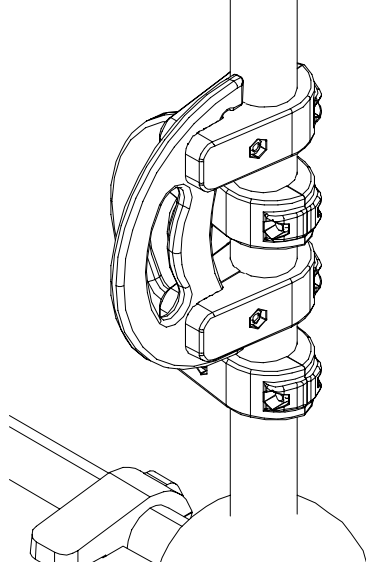


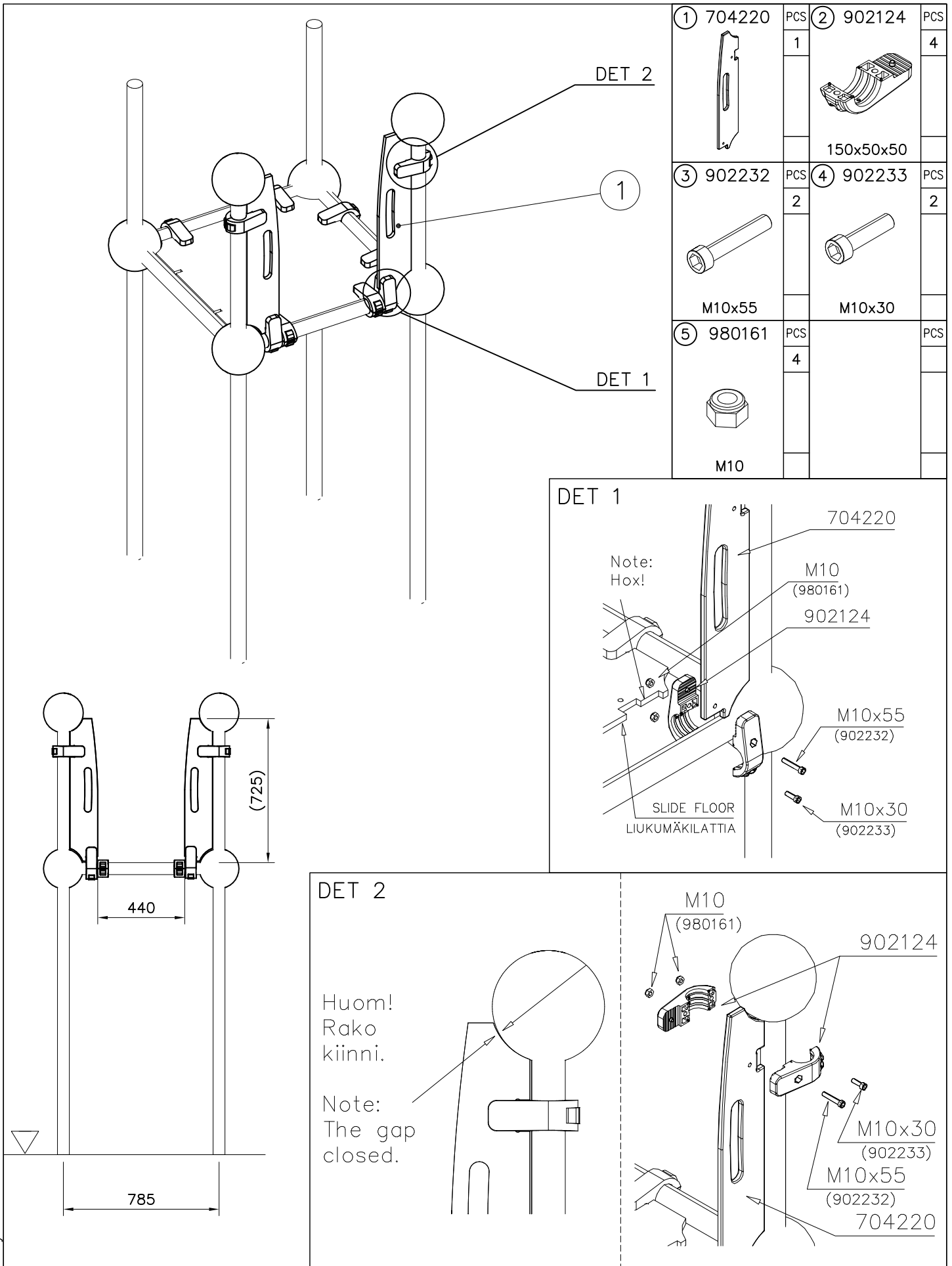


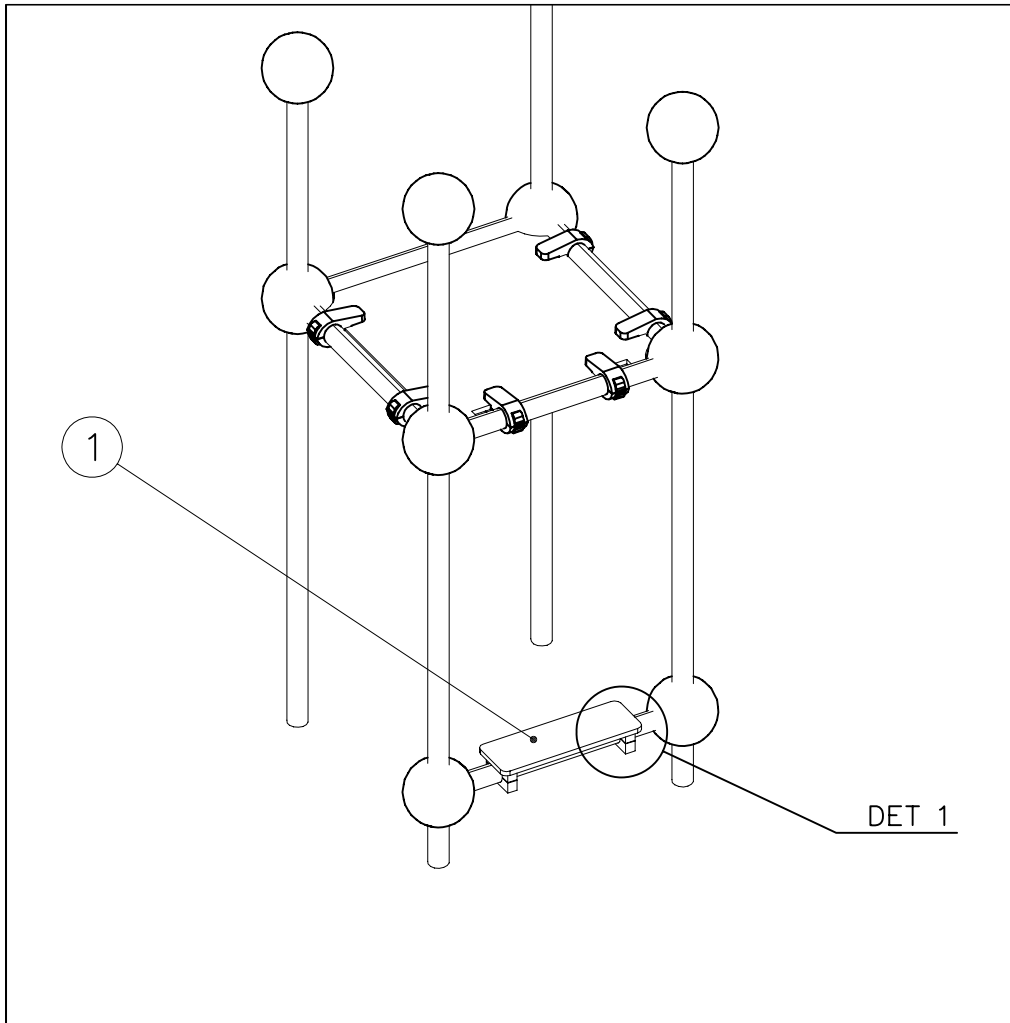
① 703995	PCS	② 902195	PCS
	1		4
1075		150x50x50	
③ 902232	PCS	④ 902233	PCS
	2		2
M10x55		M10x30	
⑤ 902273	PCS	⑥ 980161	PCS
	4		4
		M10	
	PCS		PCS
	PCS		PCS

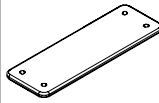
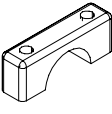
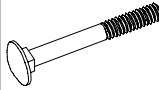
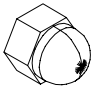
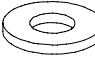


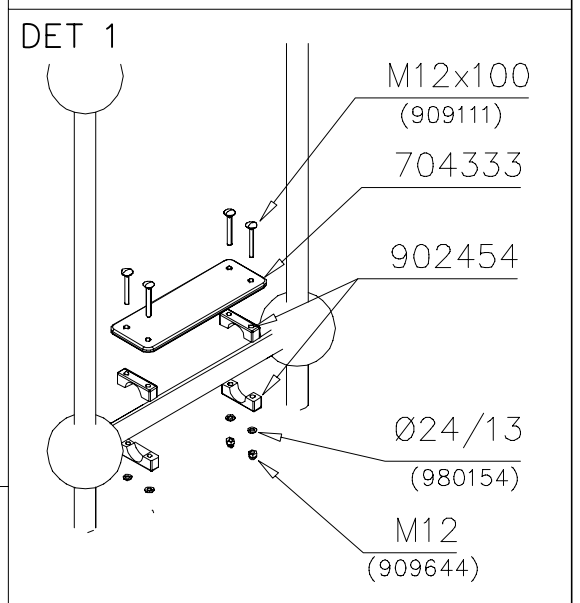
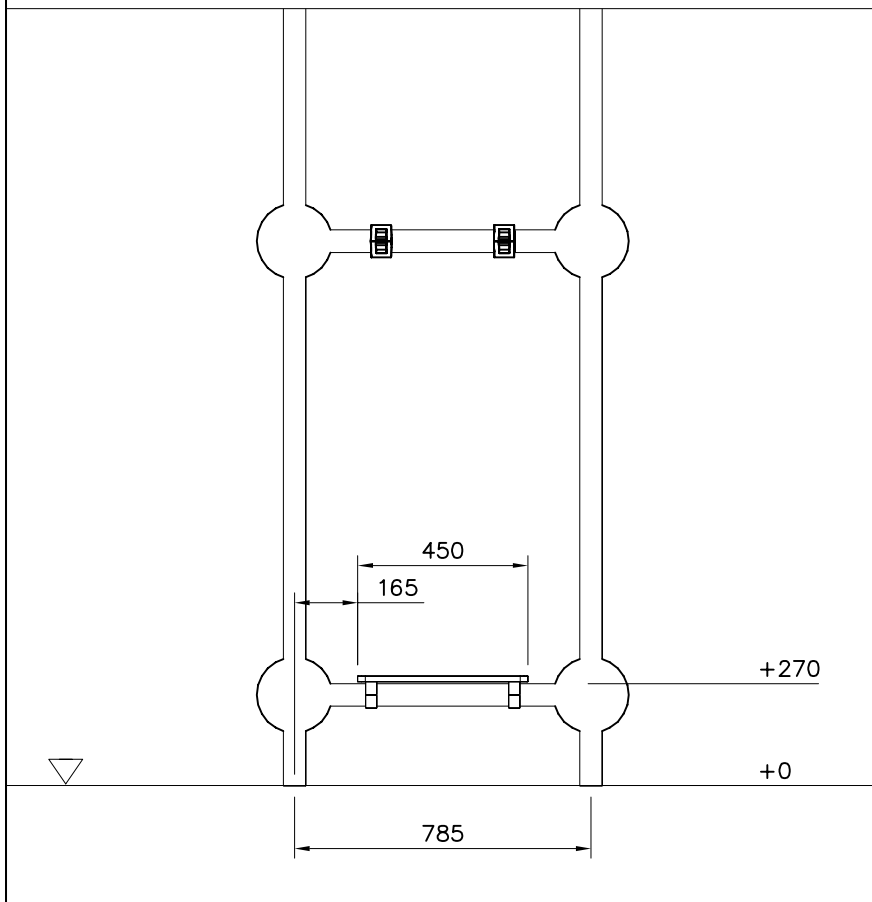


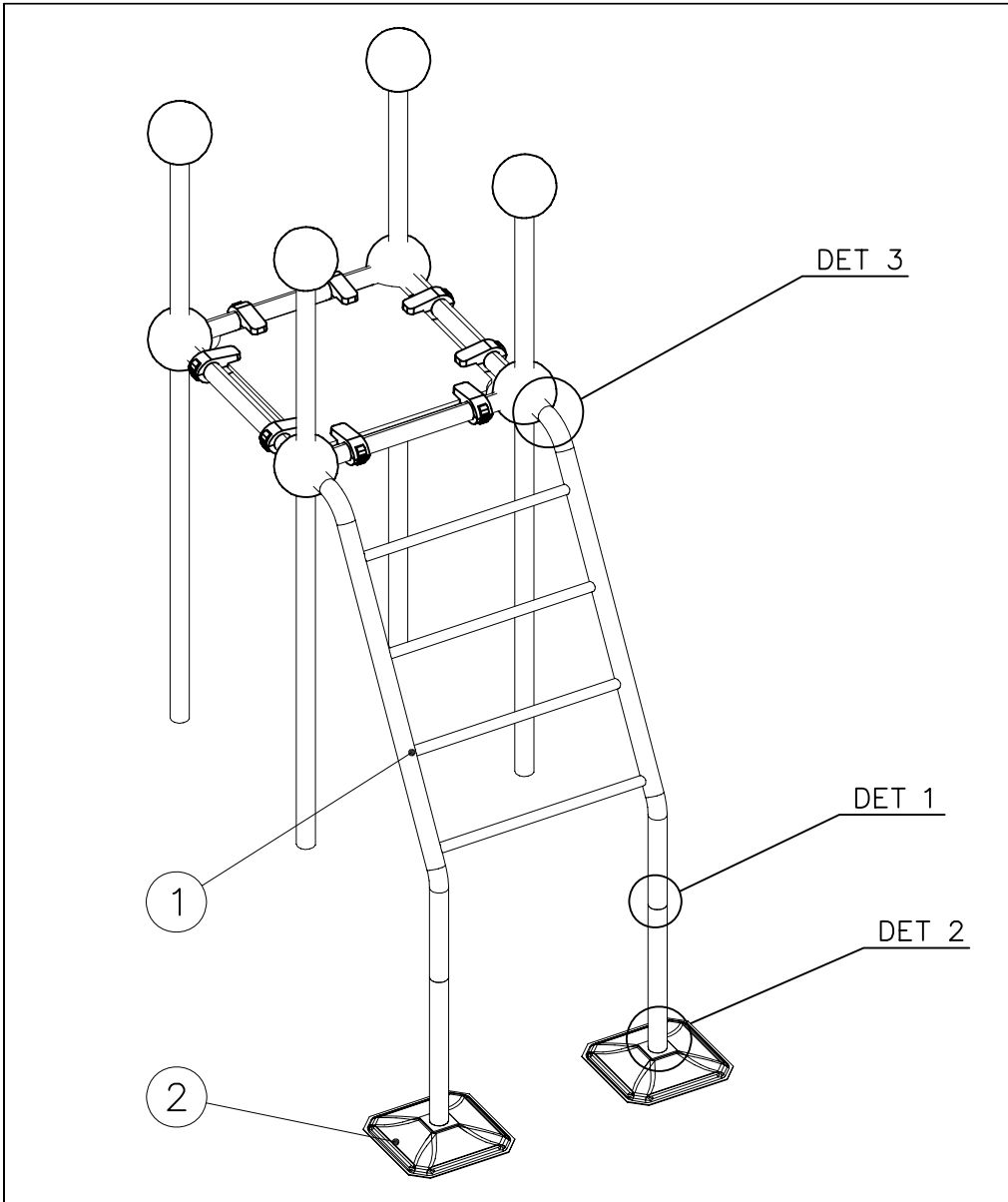
<p>DET 1</p>  <p>M10 (980161) 704159 902273 902124 M10x30 (902233) M10x55 (902232)</p>	<p>DET 2</p>  <p>M10 (980161) 902273 902124 M10x30 (902233) M10x55 (902232) 704158</p>
<p>DET 3</p>  <p>95 904158 904158 95</p>	<p>DET 4</p> 


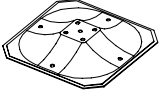
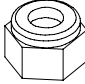
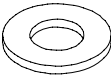
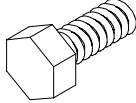


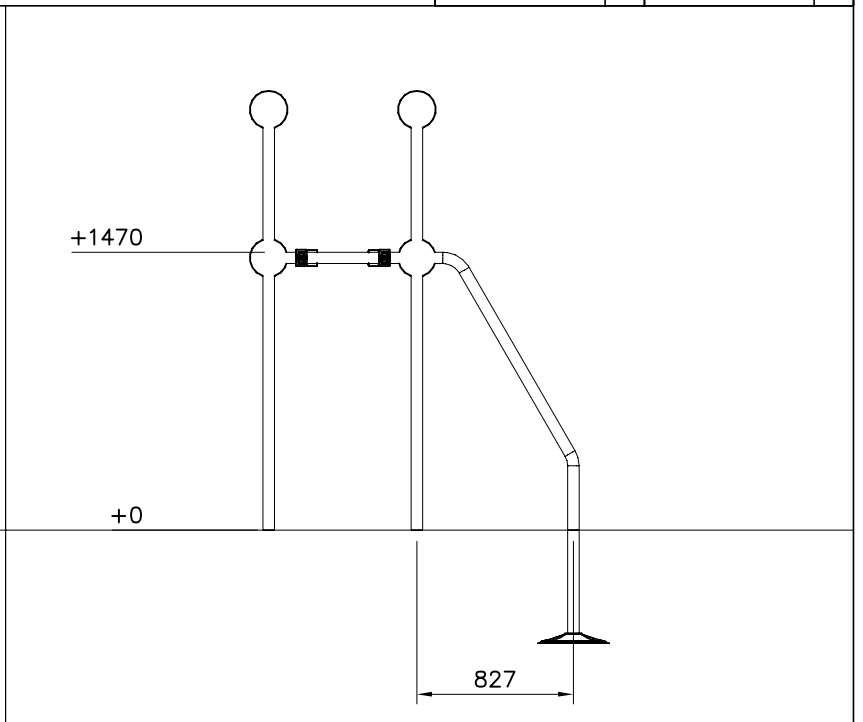
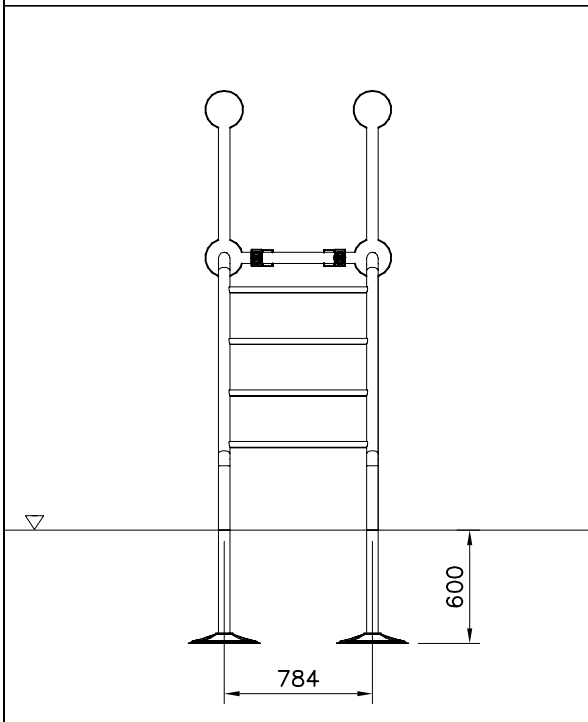


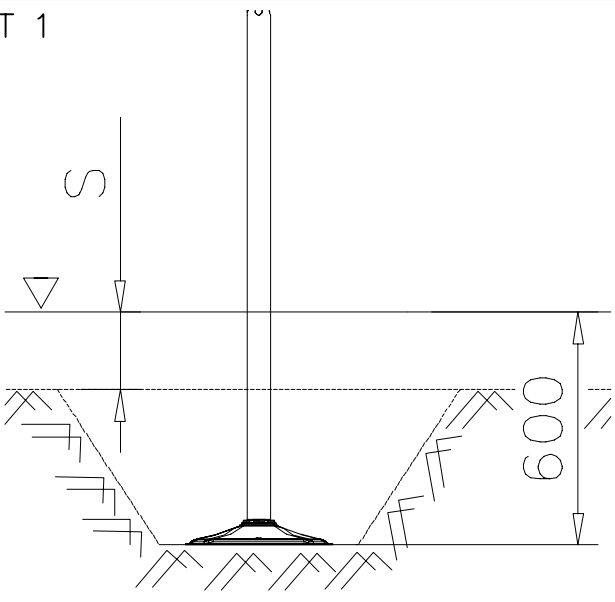
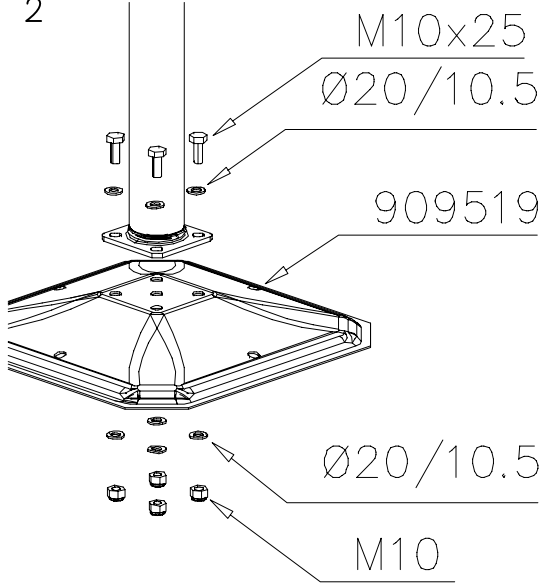
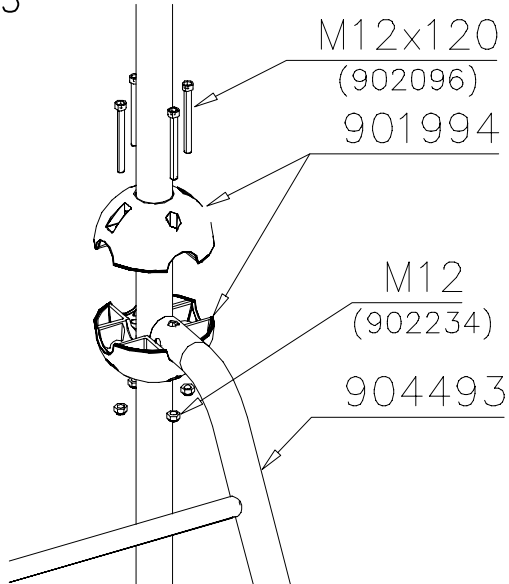
① 704333	PCS	② 902454	PCS
	1		4
③ 909111	PCS	④ 909644	PCS
	4		4
M12x100		M12	
⑤ 980154	PCS		PCS
	4		
Ø24/13			
	PCS		PCS
	PCS		PCS

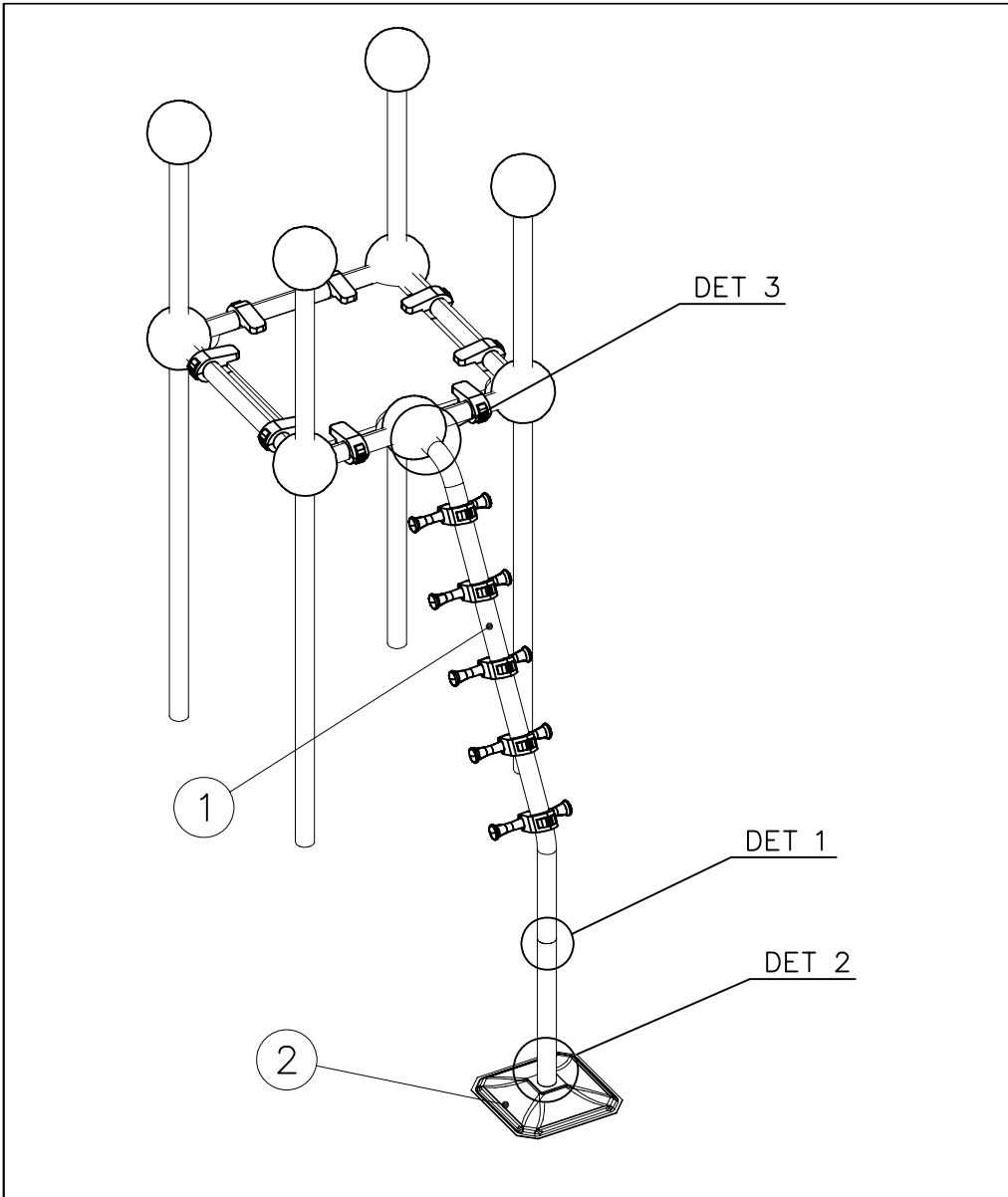



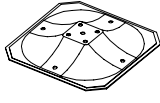


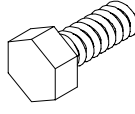


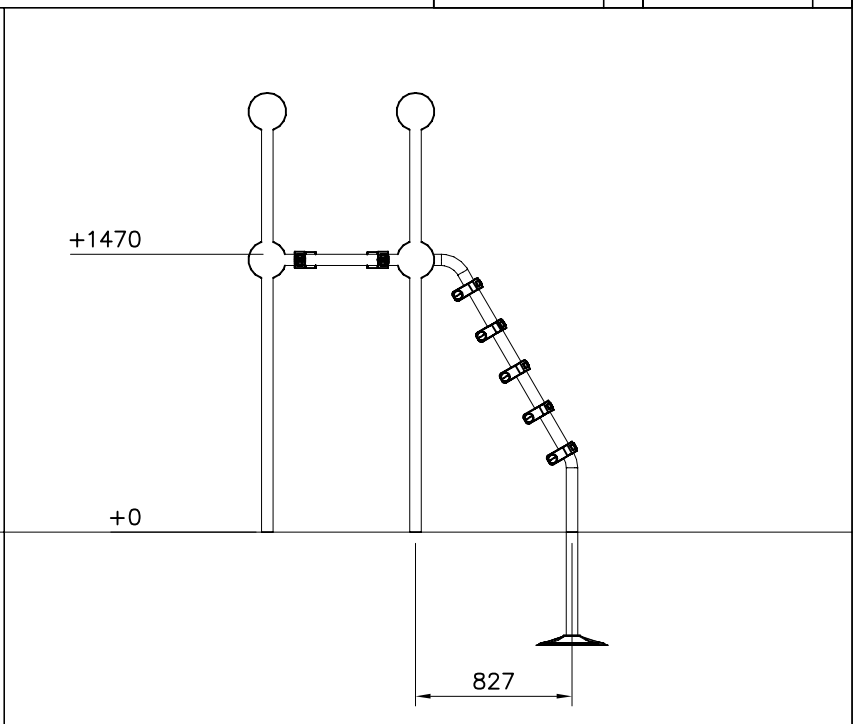
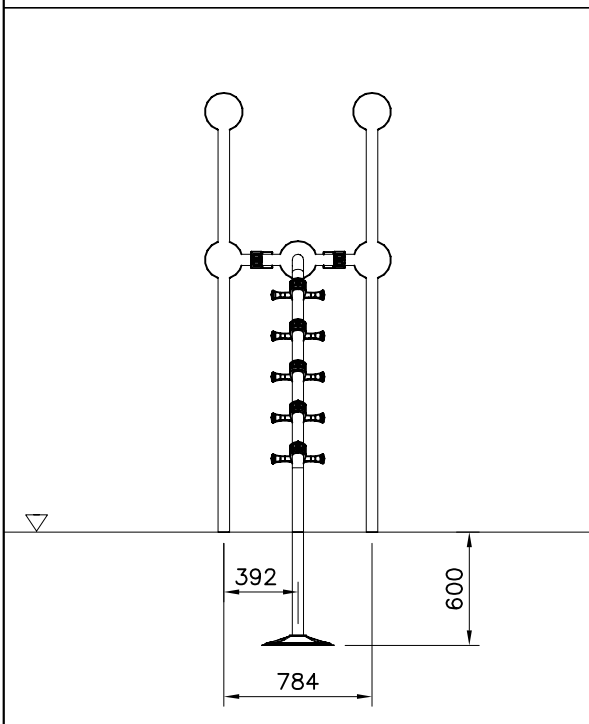
① 904493	PCS	② 909519	PCS
	1		2
		50x380x380	
③ 909637	PCS	④ 909638	PCS
	8		16
M10		Ø20/10.5	
⑤ 909639	PCS		PCS
	8		
M10x25			
	PCS		PCS
	PCS		PCS



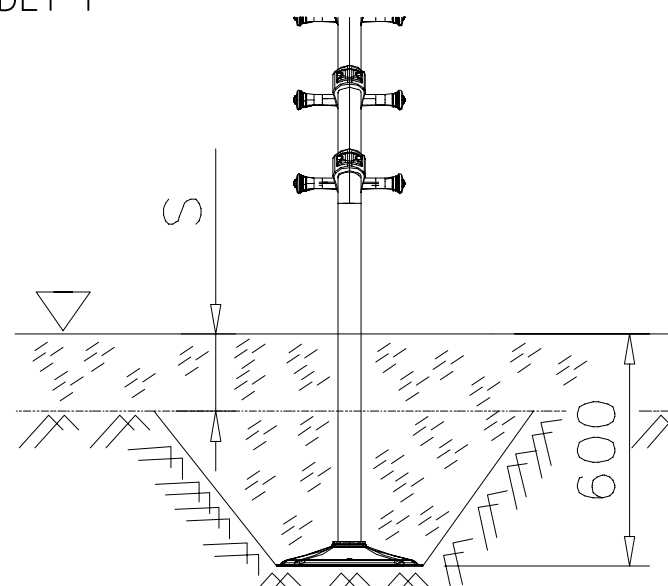
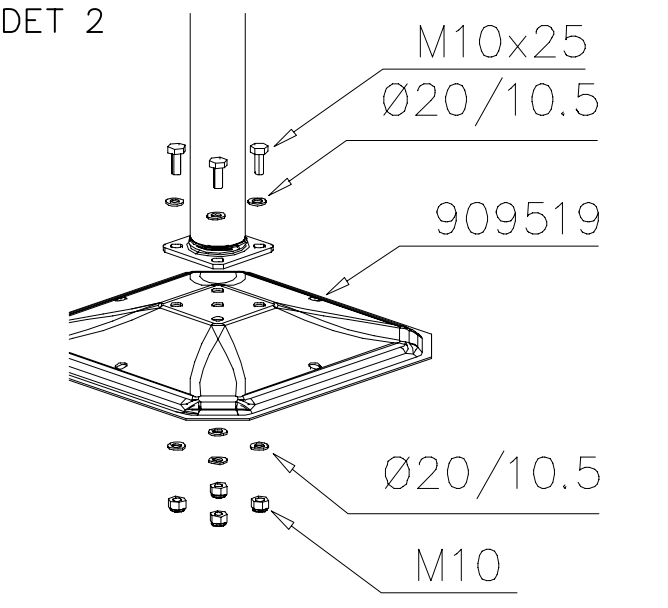
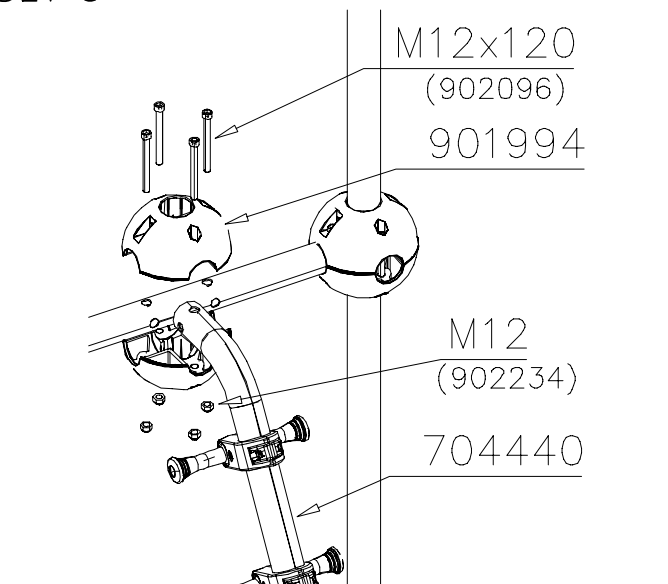
<p>DET 1</p> 	<p>DET 2</p> 
<p>DET 3</p> 	



① 704439	PCS	② 909519	PCS
	1		1
		50x380x380	
③ 909637	PCS	④ 909638	PCS
	4		8
M10		Ø20/10.5	
⑤ 909639	PCS		PCS
	4		
M10x25			
	PCS		PCS
	PCS		PCS





<p>DET 1</p> 	<p>DET 2</p> 
<p>DET 3</p> 	

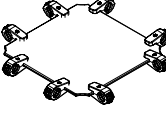
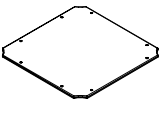
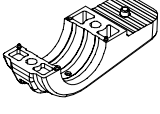
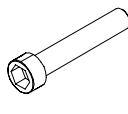
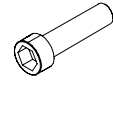
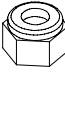
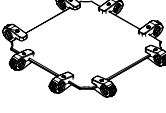
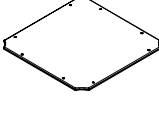
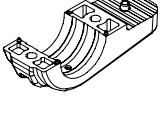
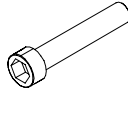
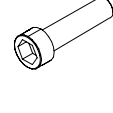

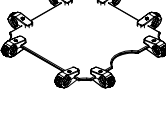
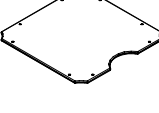

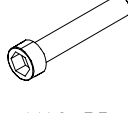
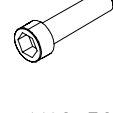
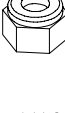
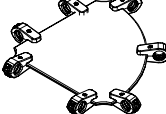
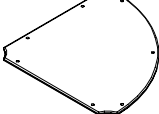
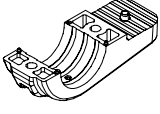
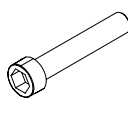
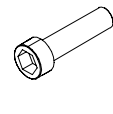

# WINAM GROUP

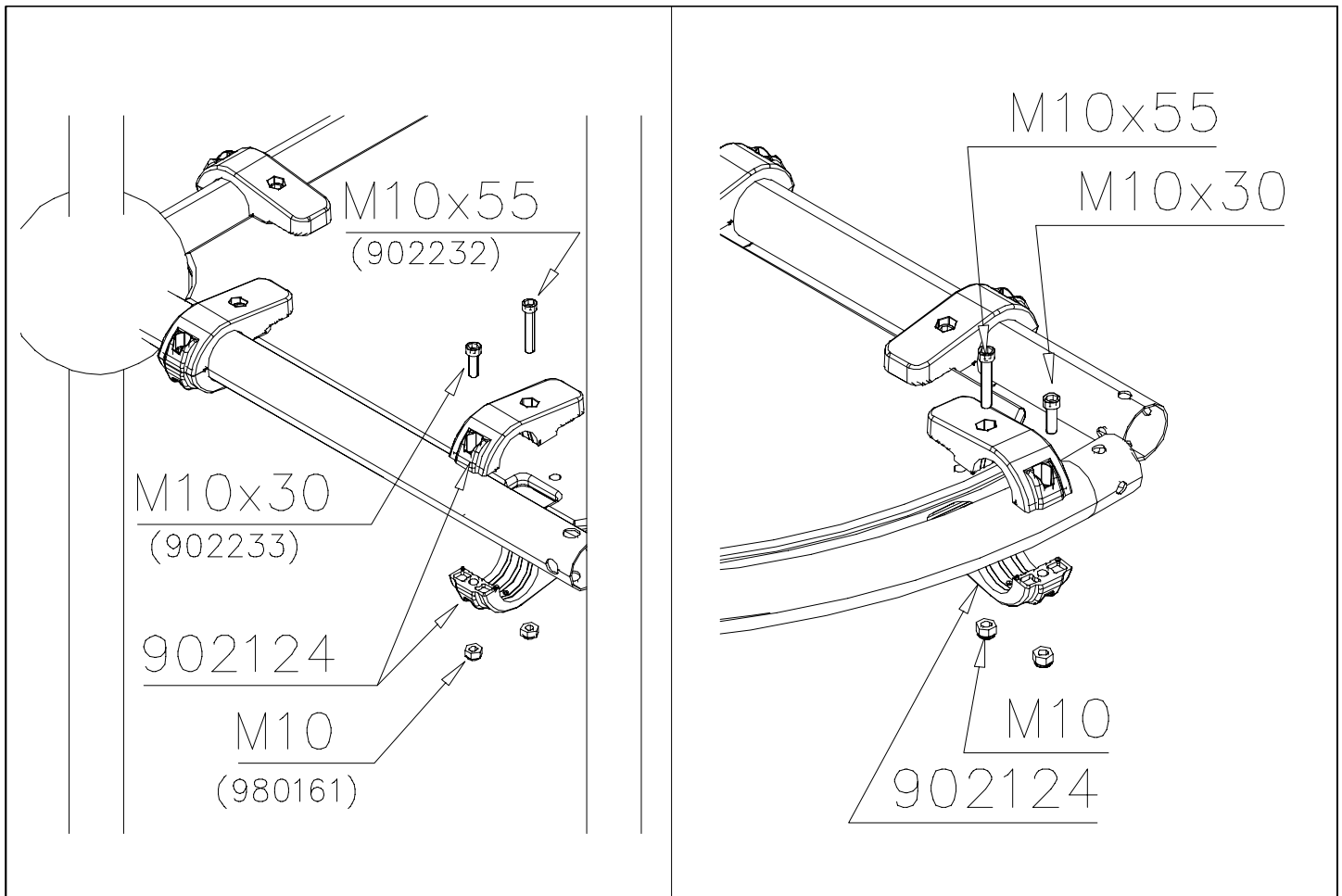
## FLOOR 2

# CLOXX

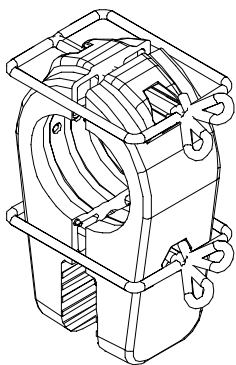
DATE: 10.5.2012



○ 704443 	○ 704442 	PCS 1	○ 902124  150x50x50	PCS 16	○ 902232  M10x55	PCS 8	○ 902233  M10x30	PCS 8	○ 980161  M10	PCS 16		PCS
○ 704703 	○ 704704 	PCS 1	○ 902124  150x50x50	PCS 16	○ 902232  M10x55	PCS 8	○ 902233  M10x30	PCS 8	○ 980161  M10	PCS 16		PCS
○ 704678 	○ 704679 	PCS 1	○ 902124  150x50x50	PCS 16	○ 902232  M10x55	PCS 8	○ 902233  M10x30	PCS 8	○ 980161  M10	PCS 16		PCS
○ 704694 	○ 704695 	PCS 1	○ 902124  150x50x50	PCS 14	○ 902232  M10x55	PCS 7	○ 902233  M10x30	PCS 7	○ 980161  M10	PCS 14		PCS
		PCS		PCS		PCS		PCS		PCS		PCS
		PCS		PCS		PCS		PCS		PCS		PCS
		PCS		PCS		PCS		PCS		PCS		PCS
		PCS		PCS		PCS		PCS		PCS		PCS



--	--	--



NOTE:  
Use a wire marked pairs  
of the same junction.

Huom!  
Käytä langalla merkittyä  
paria samassa liitoksessa.