

WINAM GROUP

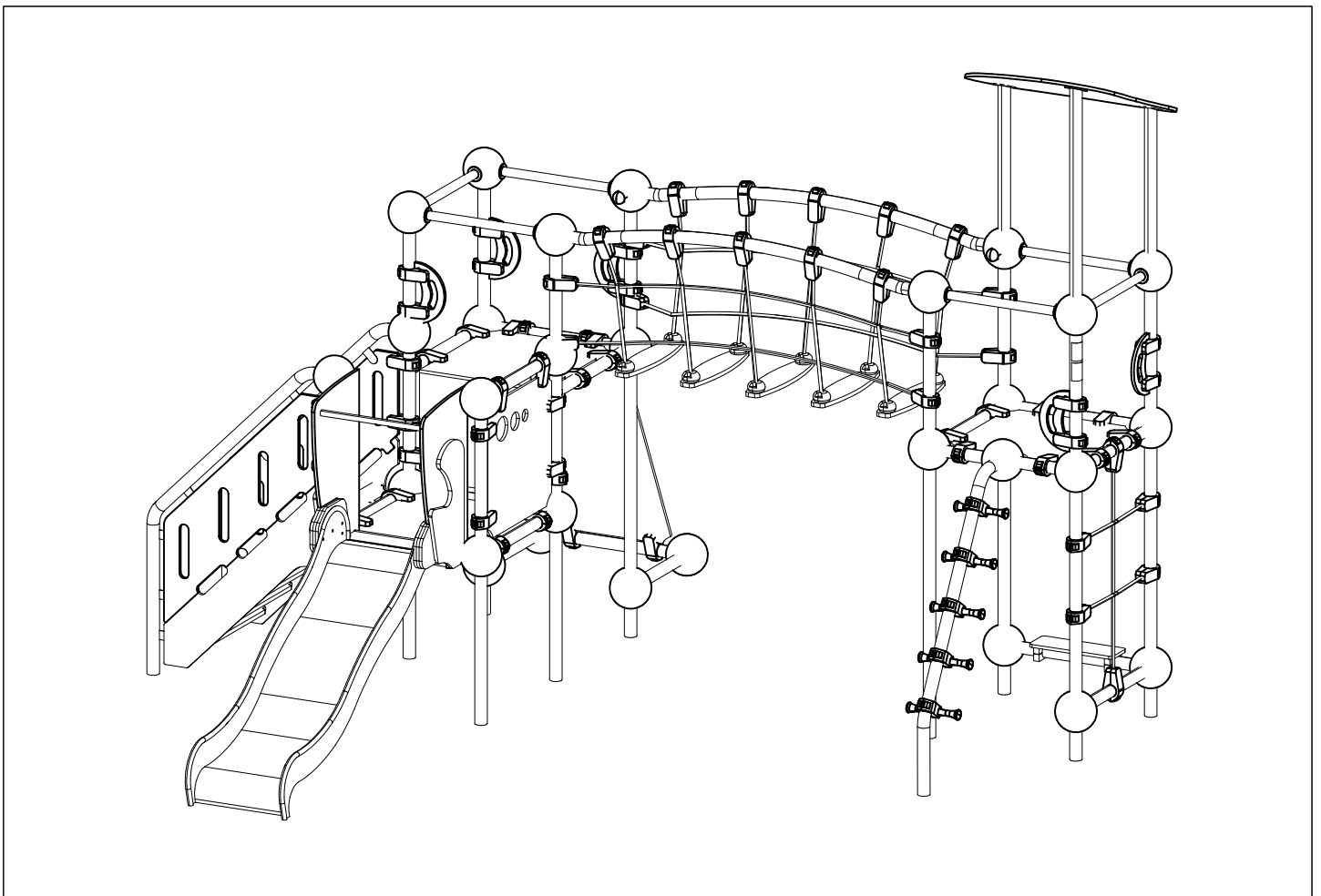
CLOXX




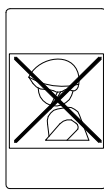
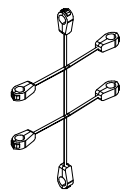

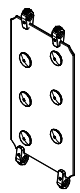

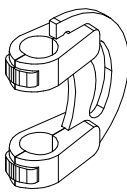

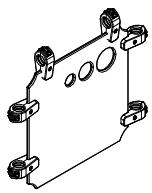

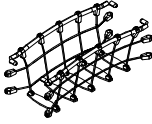

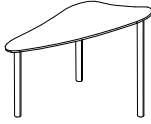

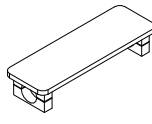



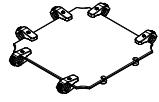

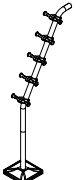

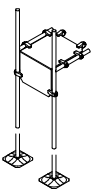

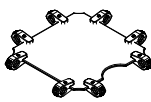

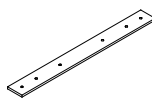
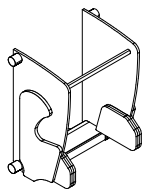

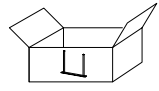
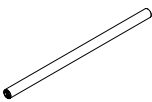
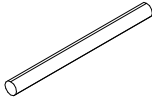
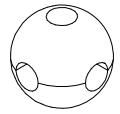

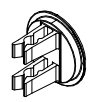
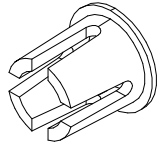
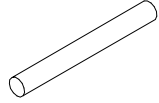



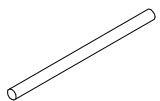
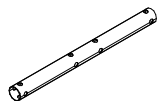
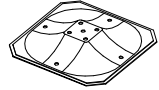
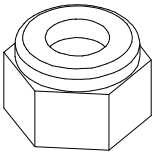
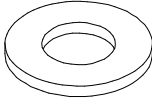
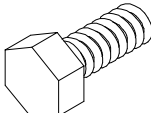
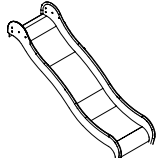
ASENNUSOHJE
MONTERINGSANSVISNING
INSTALLATION INSTRUCTION
AUFBAUANLEITUNG
NOTICE D'INSTALLATION

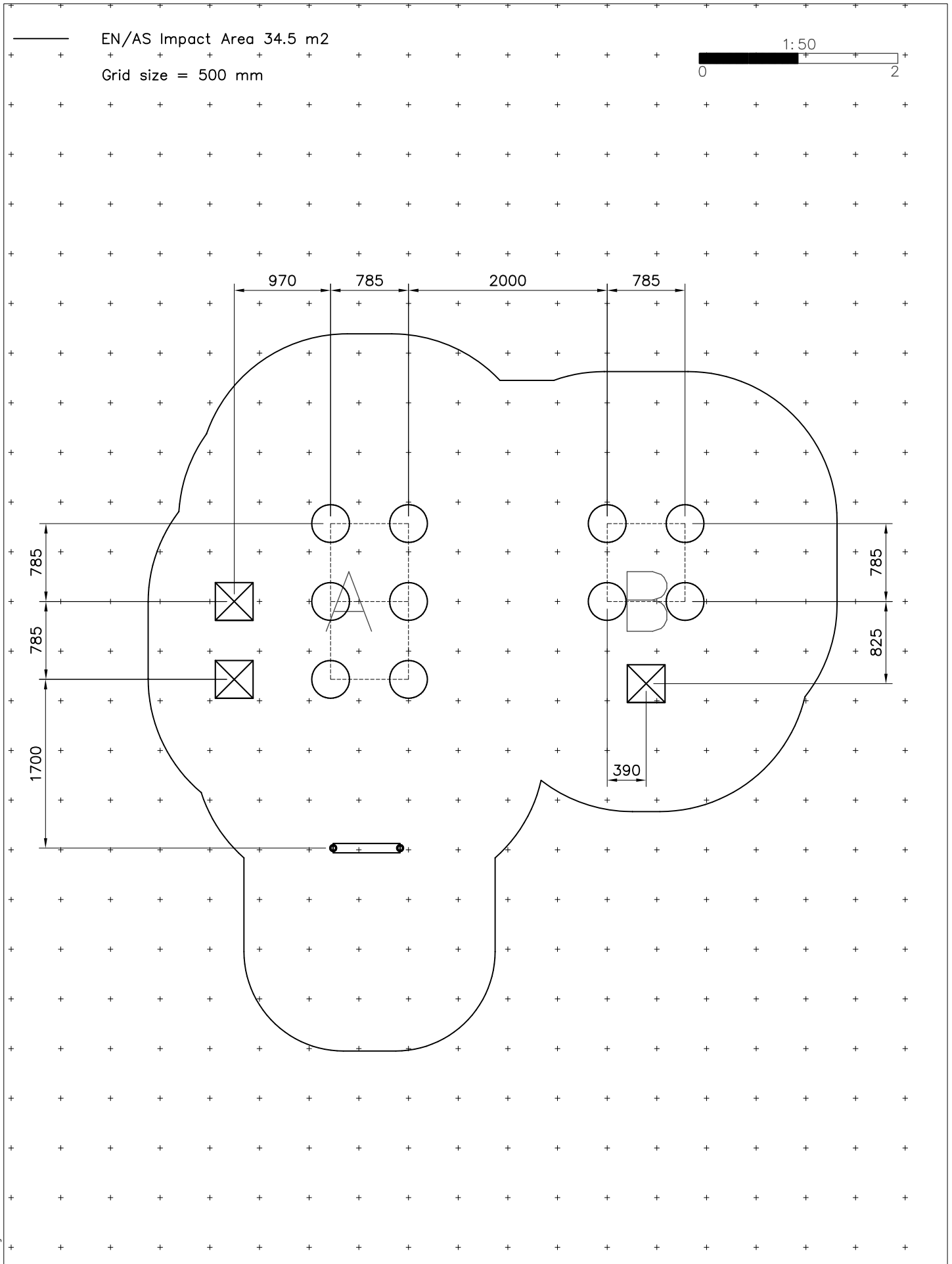
DATE: 24.1.2020

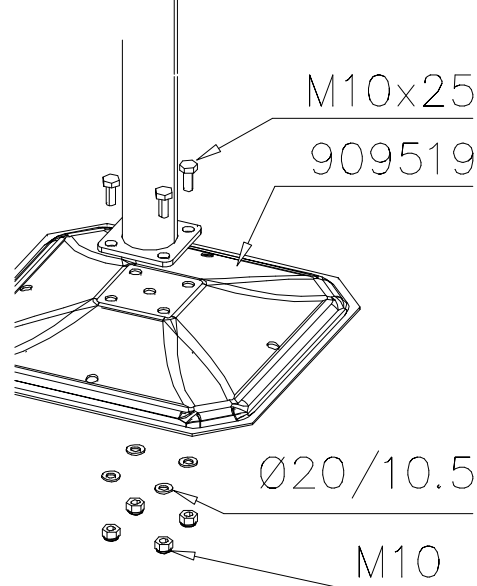
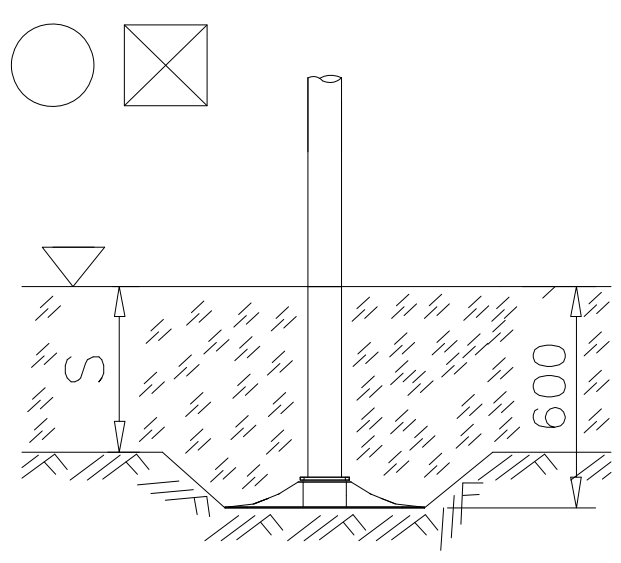
220325

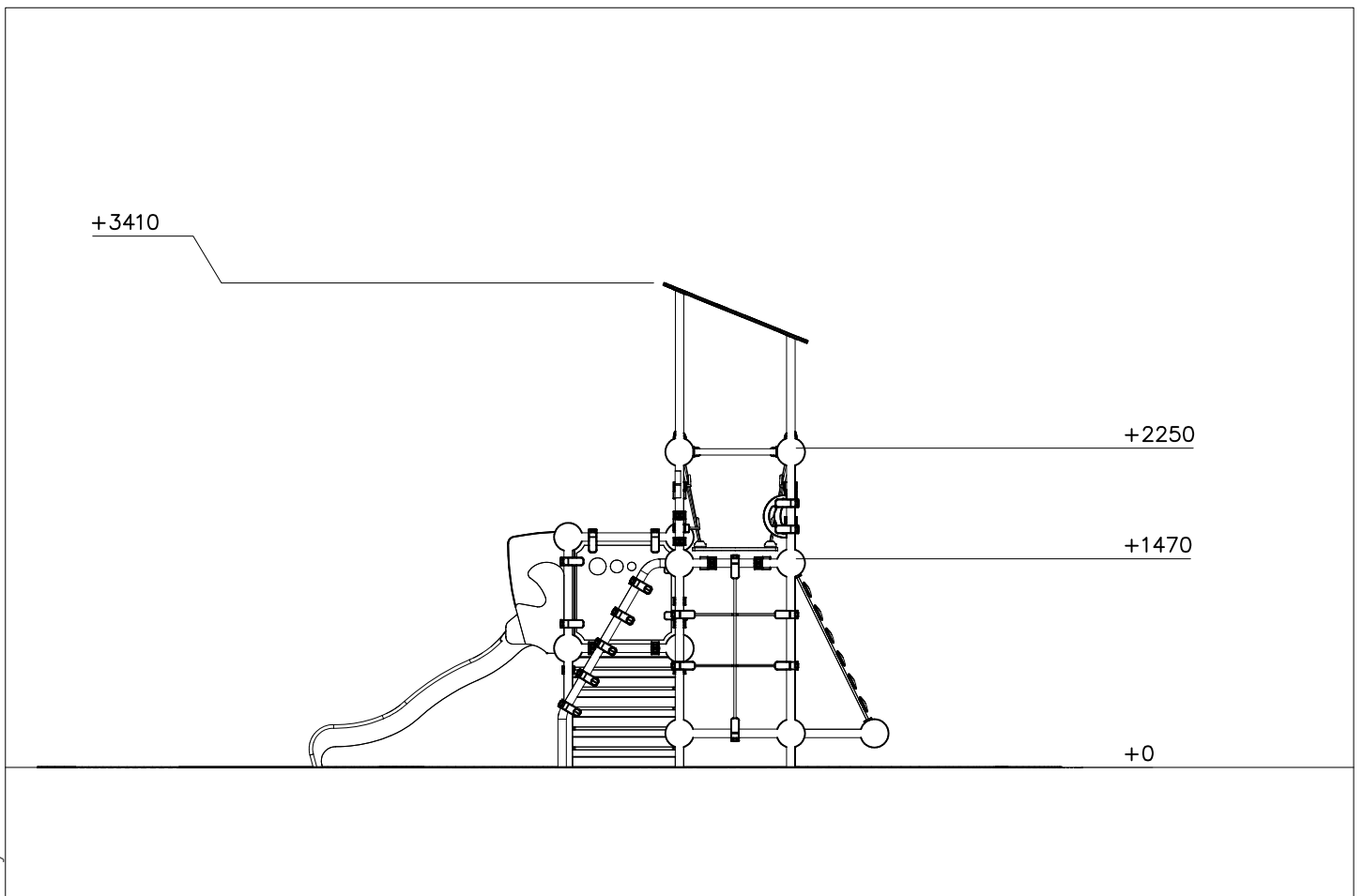
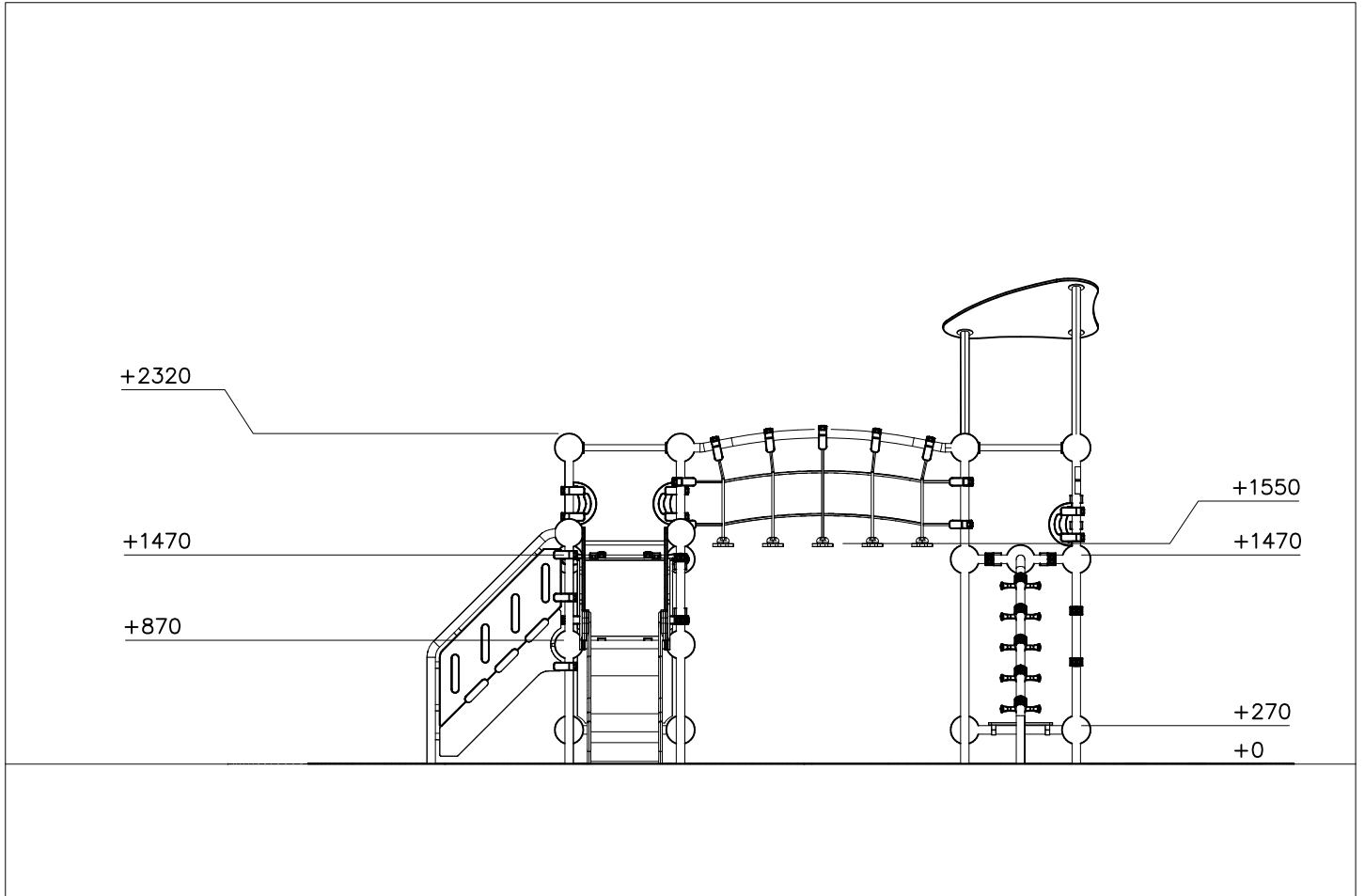


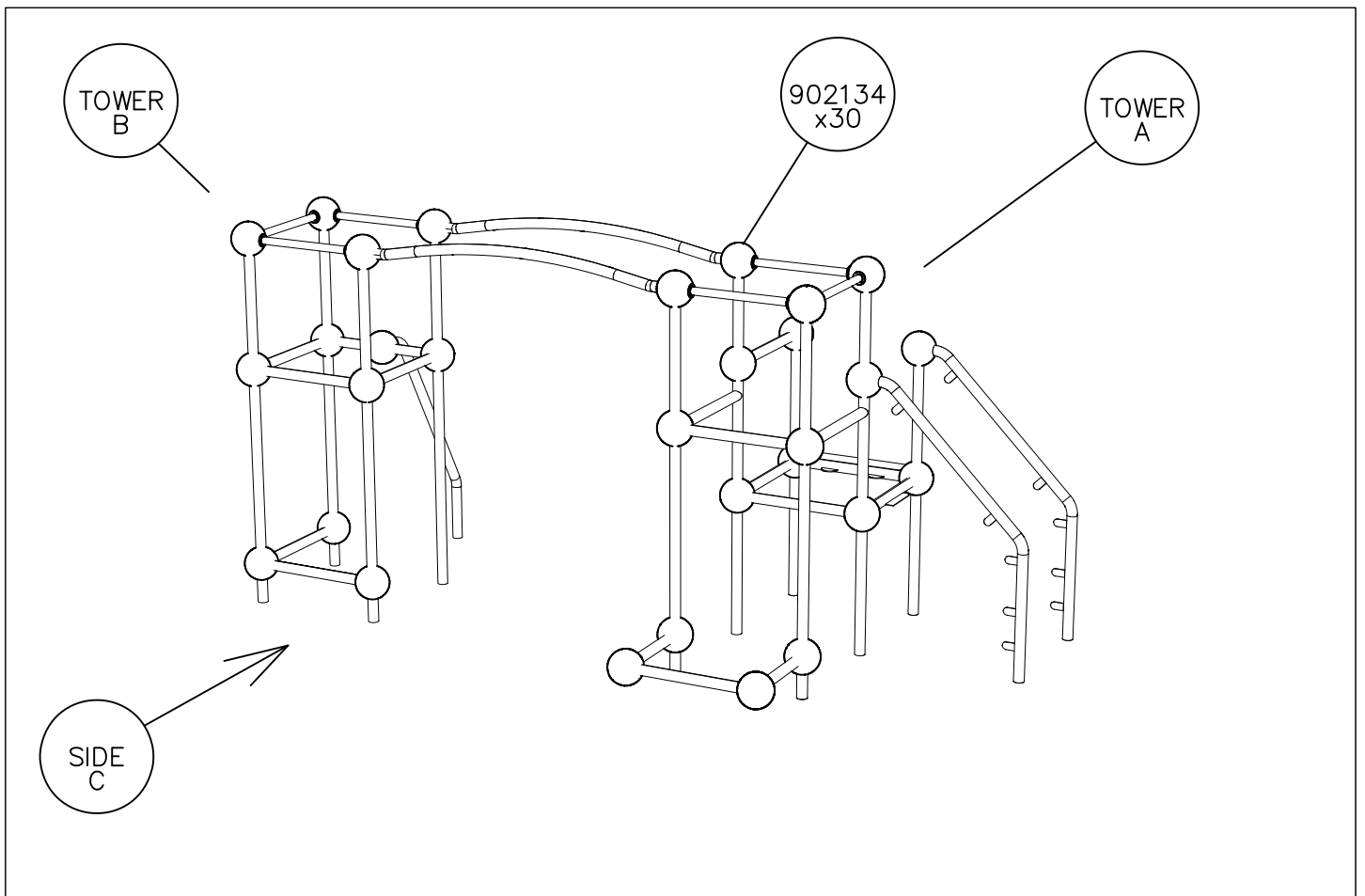
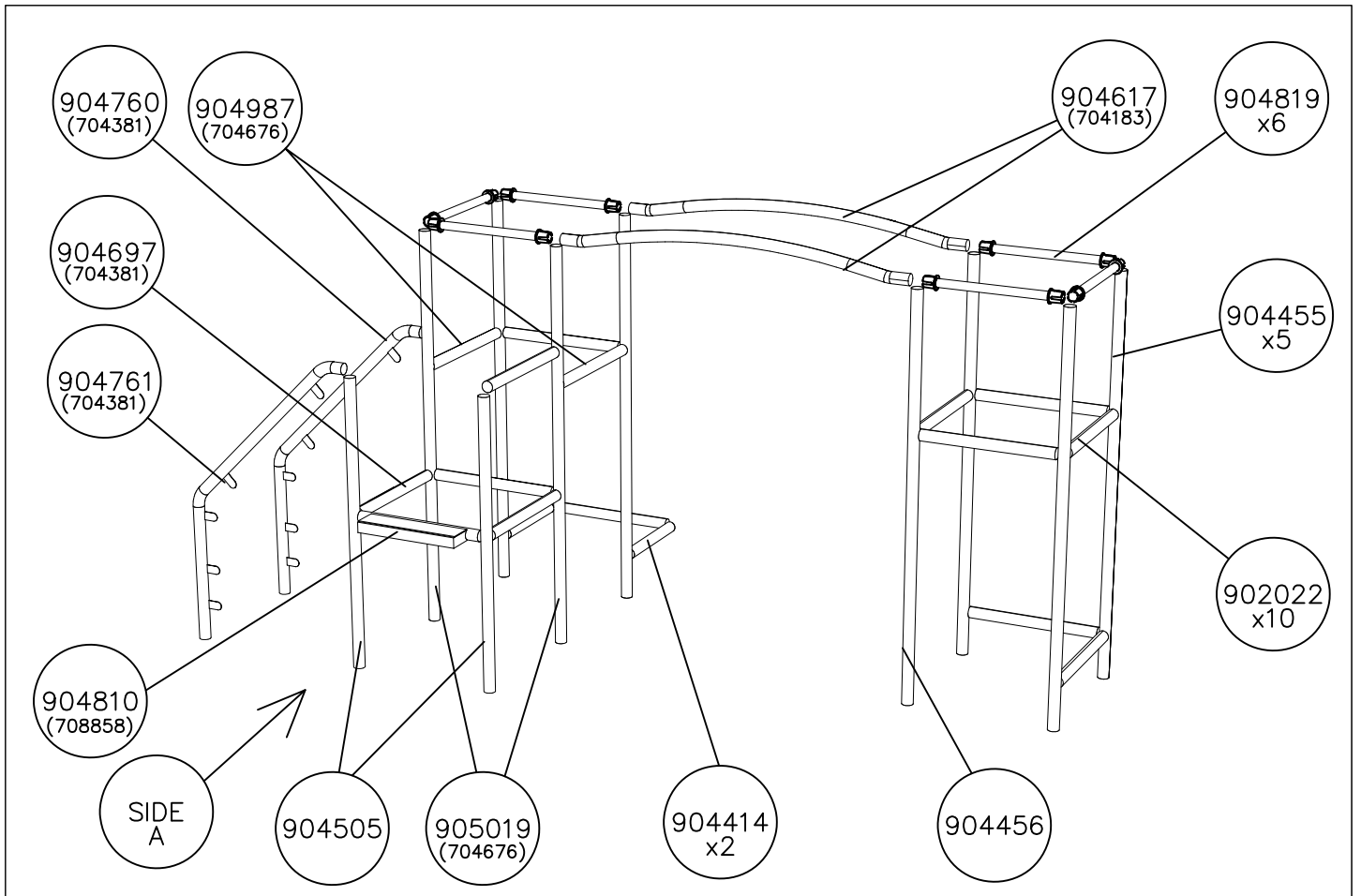
DATE: 24.1.2020

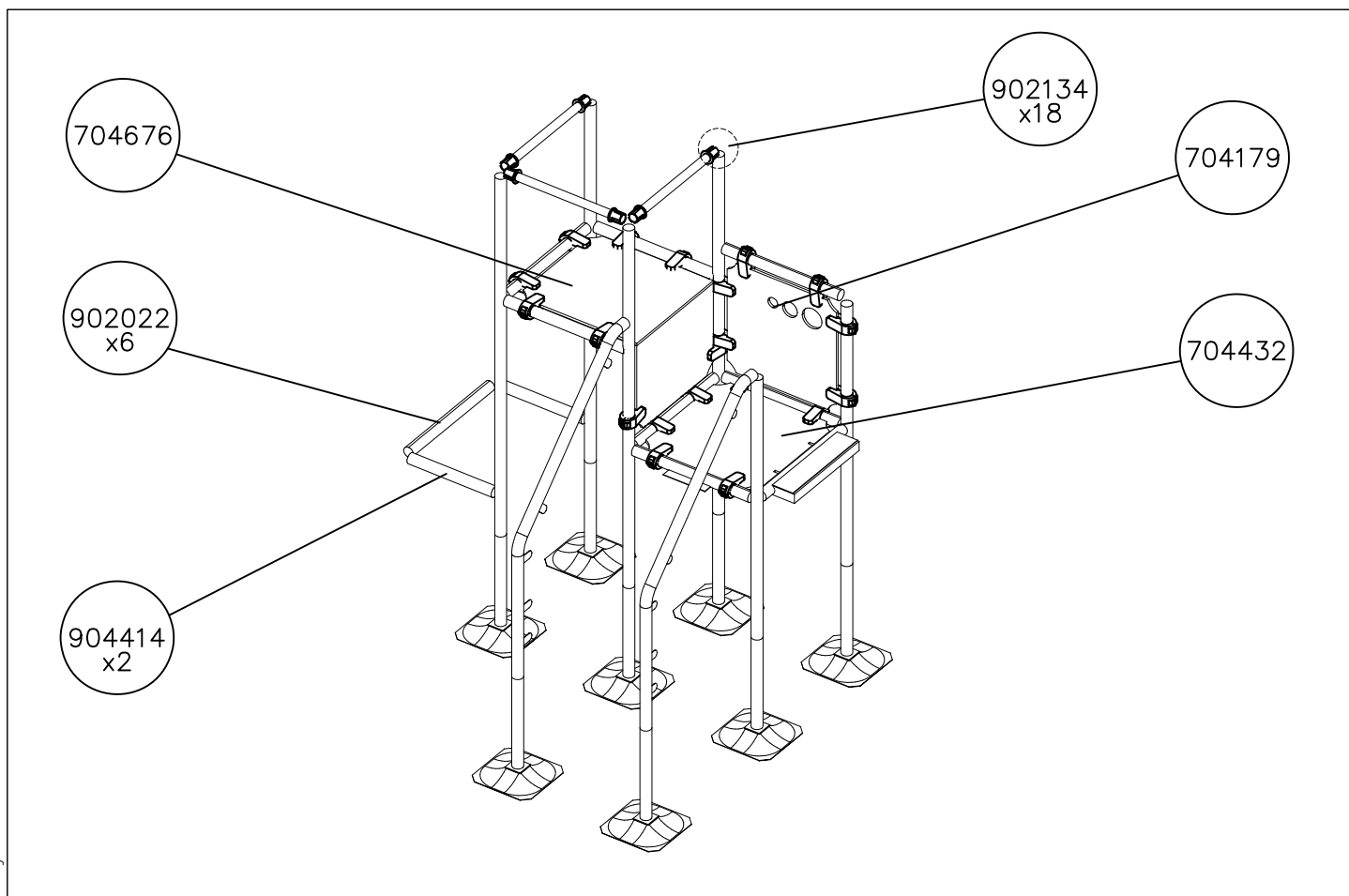
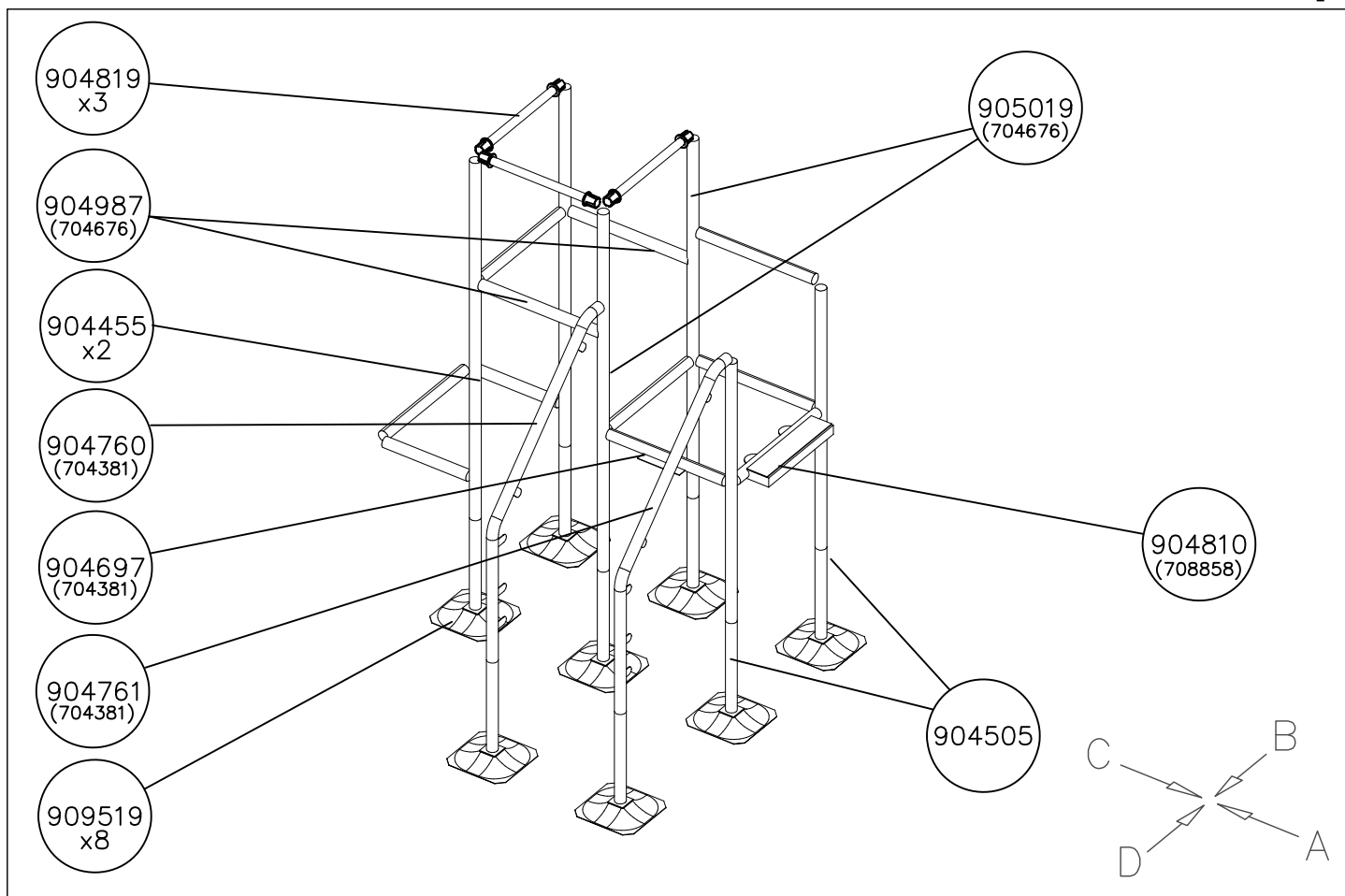
702341  90x50	PCS 1	702633  90x50	PCS 1	703982  	PCS 1	704006  	PCS 1	704159  	PCS 5	704179  	PCS 1
704183  	PCS 1	704199  	PCS 1	704332  	PCS 1	704381  	PCS 1	704432  	PCS 1	704440  	PCS 1
704676  	PCS 1	704678  	PCS 1	707133  10x80x745	PCS 1	708858  	PCS 1	709045 	PCS 1	901868  Ø34x598	PCS 2
902022  L 710	PCS 10	902134  	PCS 30	902157  60x60x2	PCS 74	904100  Ø60/40	PCS 12	904414  L 515	PCS 2	904455  L 2737	PCS 5
904456  L 2737	PCS 1	904505  L 2137	PCS 2	904819  Ø44.5x710	PCS 6	904834  L 710	PCS 1	909519  380x380	PCS 8	909637  M10	PCS 32
909638  Ø20/10.5	PCS 64	909639  M10x25	PCS 32	909708  +870	PCS 1		PCS		PCS		PCS
	PCS		PCS		PCS		PCS		PCS		PCS



 <p>M10x25 909519</p> <p>Ø20/10.5 M10</p>	 <p>600</p>

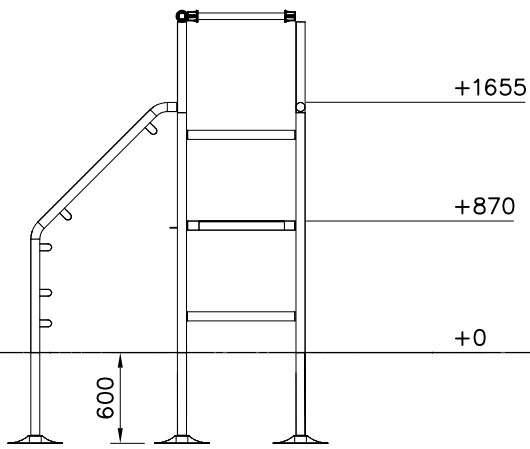




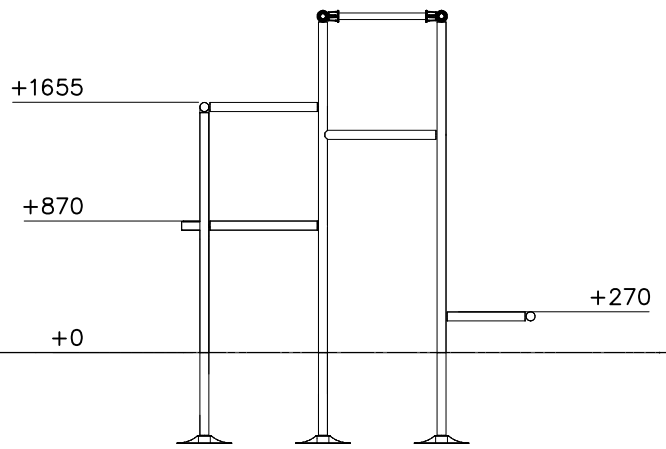


1:50

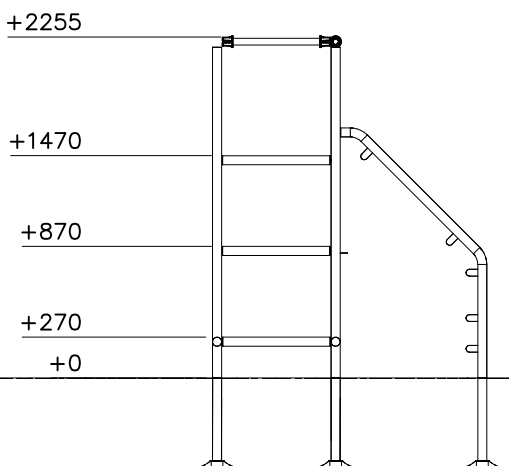
A



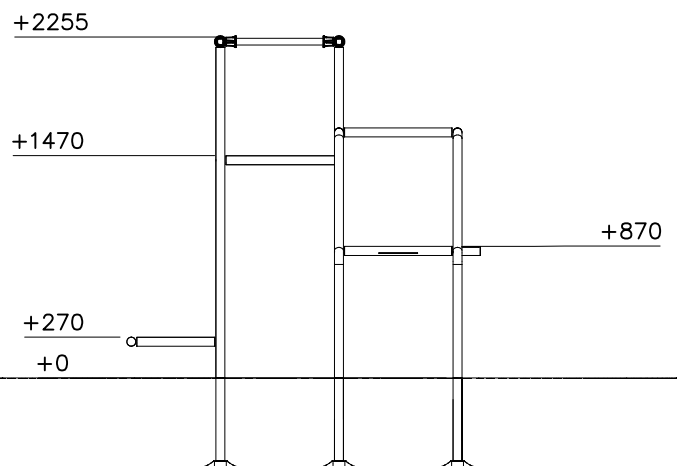
B

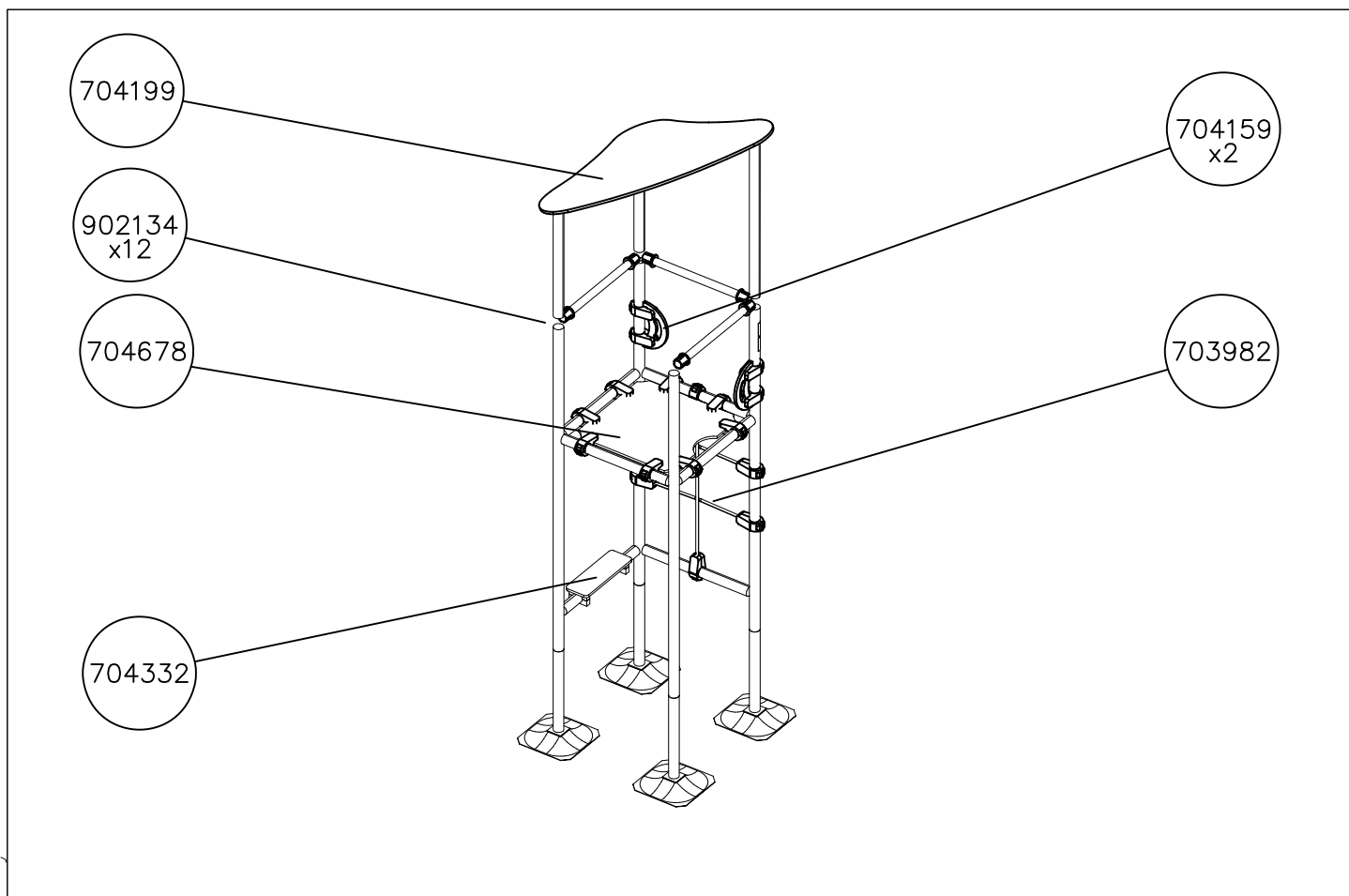
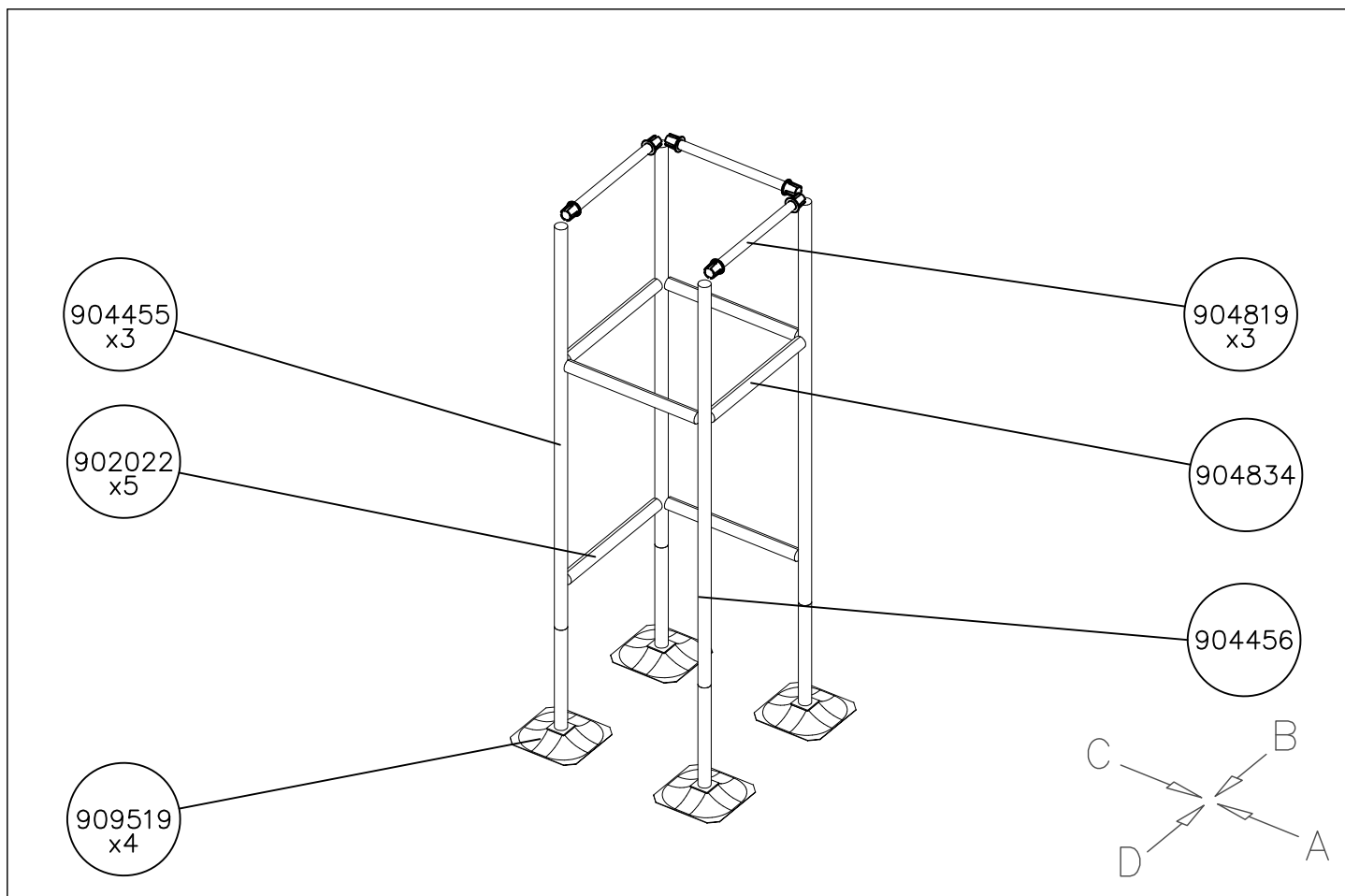


C



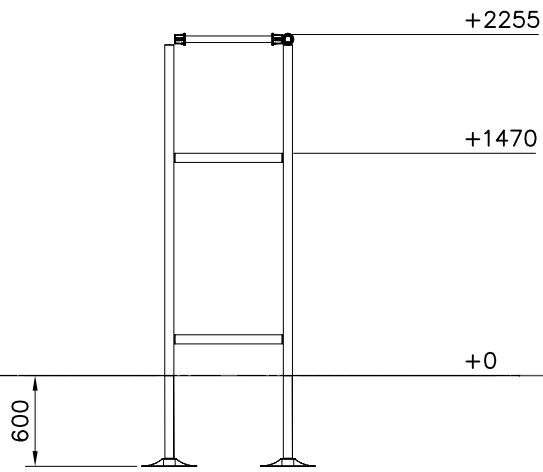
D



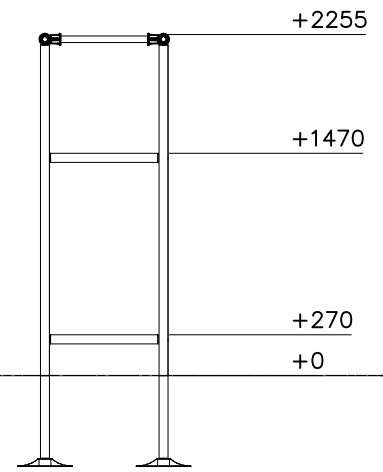


(A)

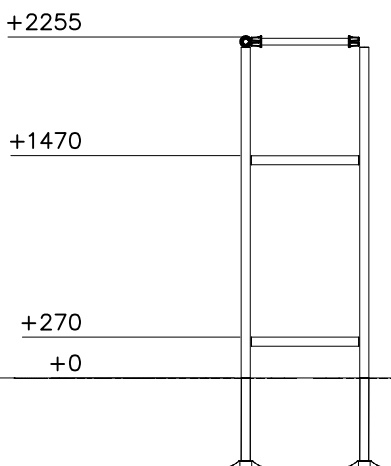
1:50



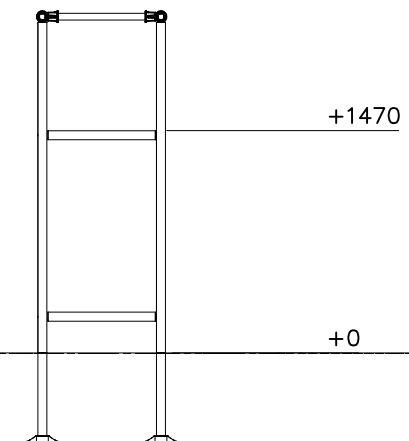
(B)

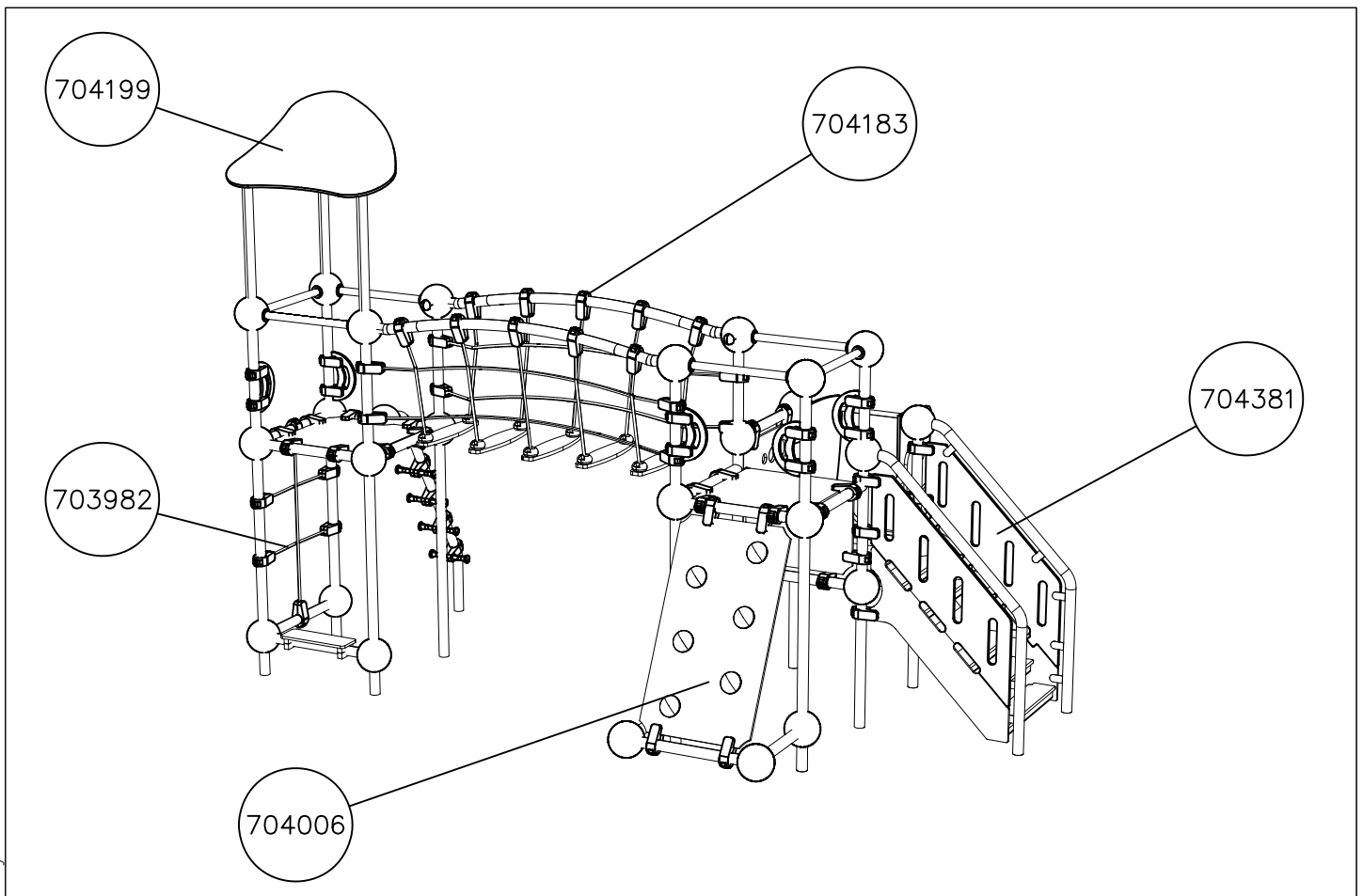
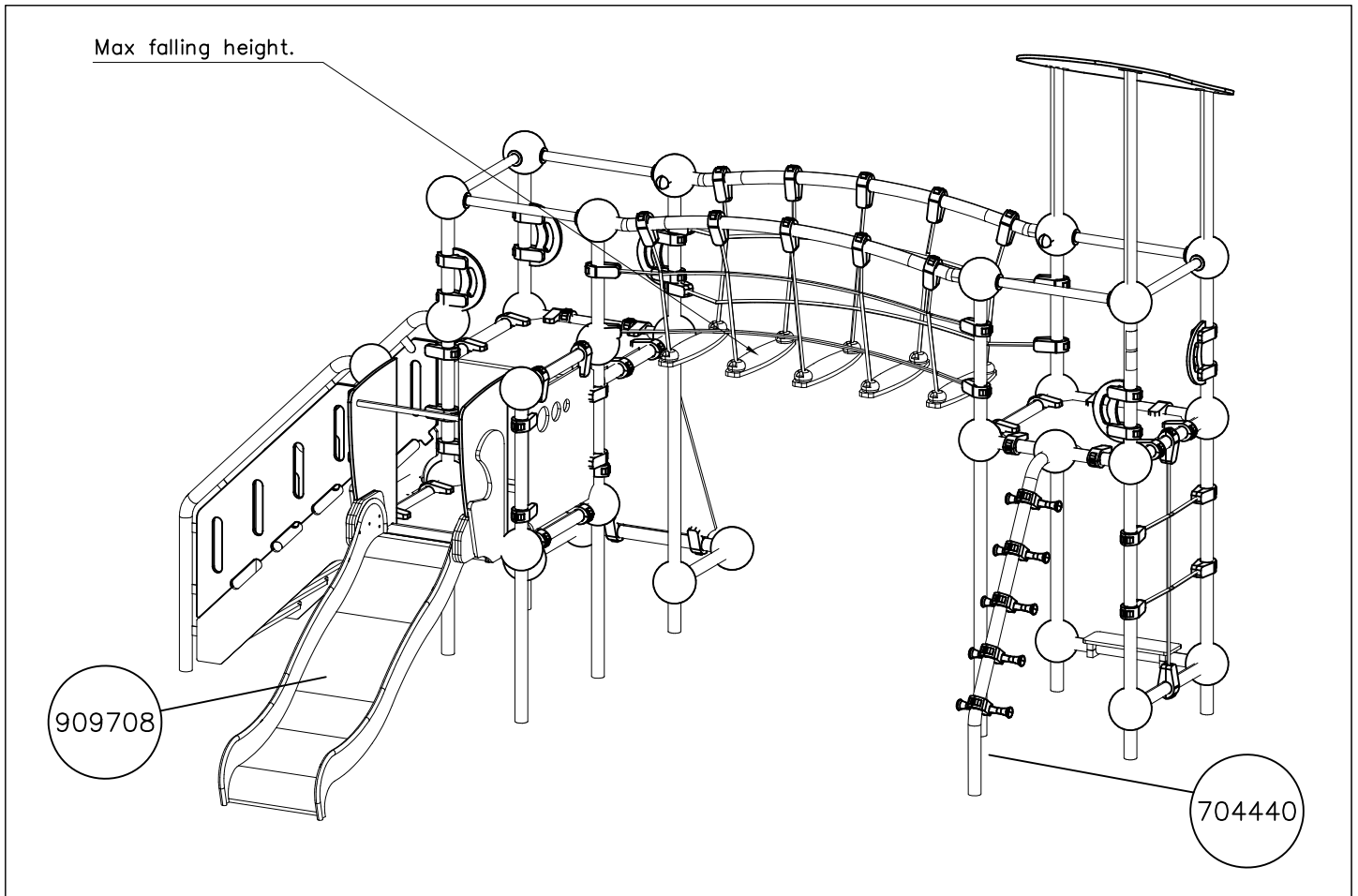


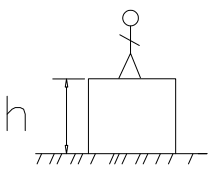



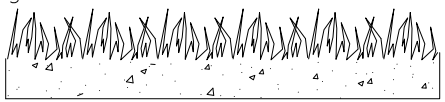
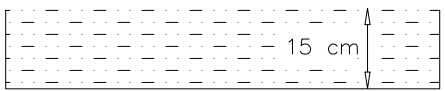
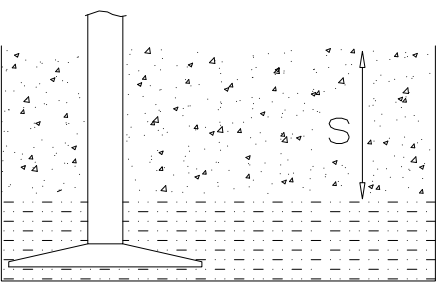
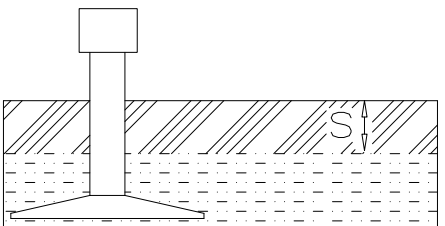
(C)



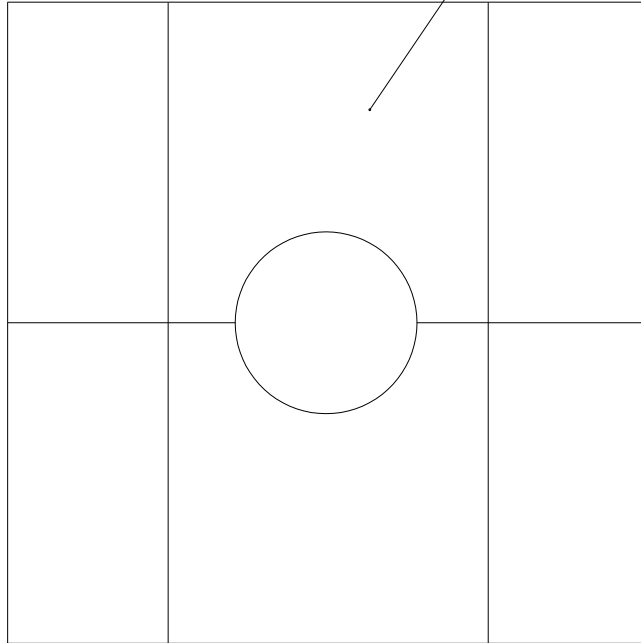
(D)



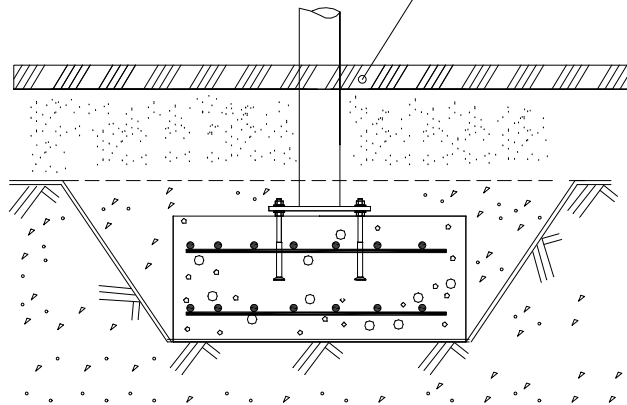


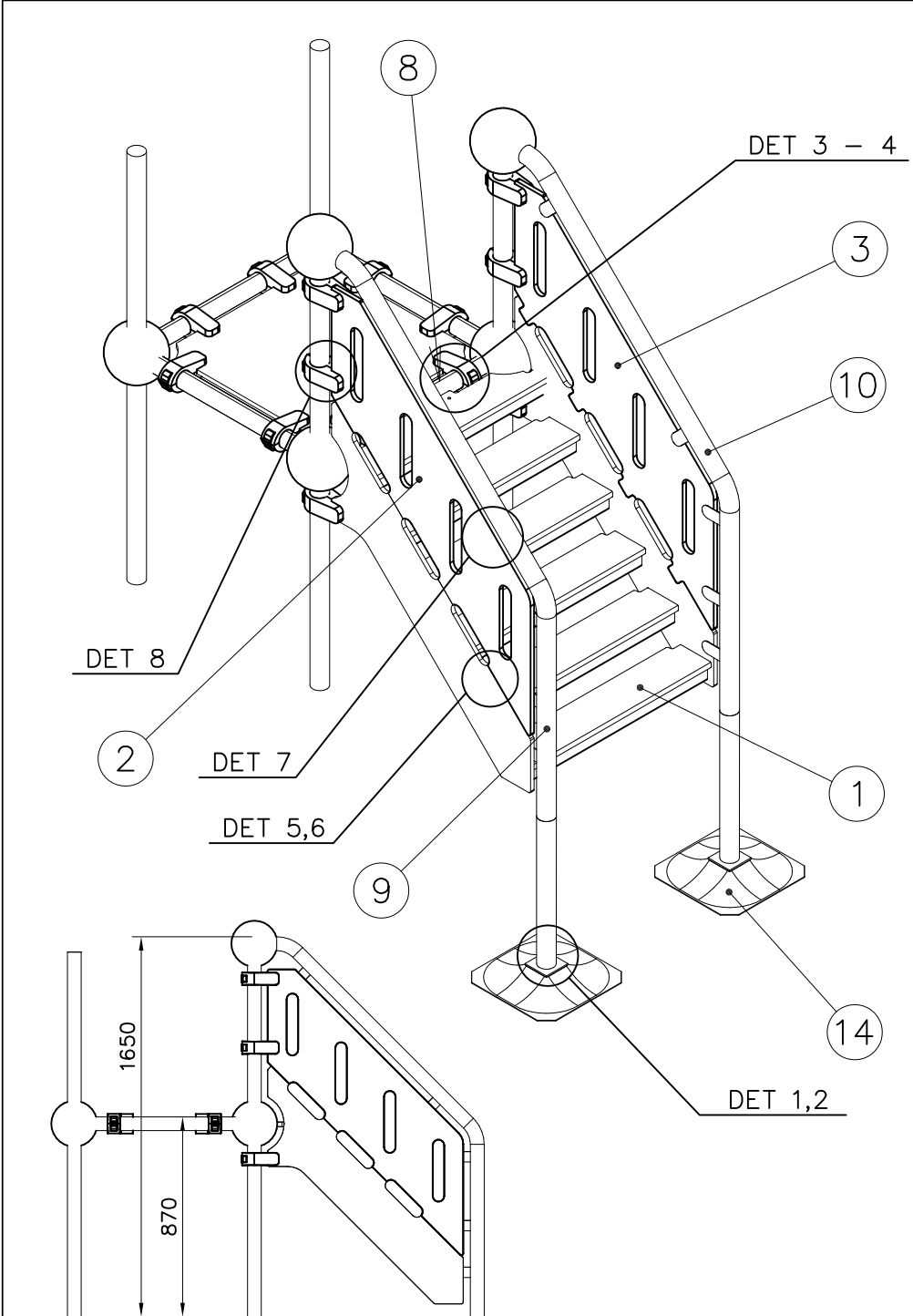
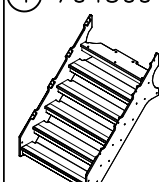
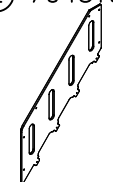
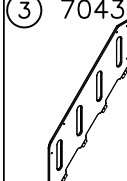
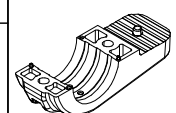
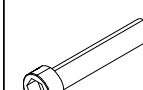
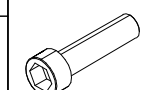
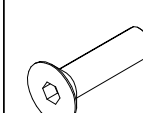
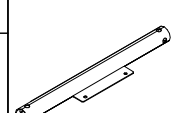
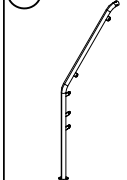
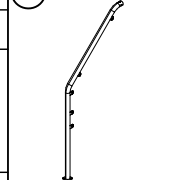
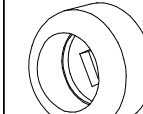
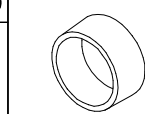
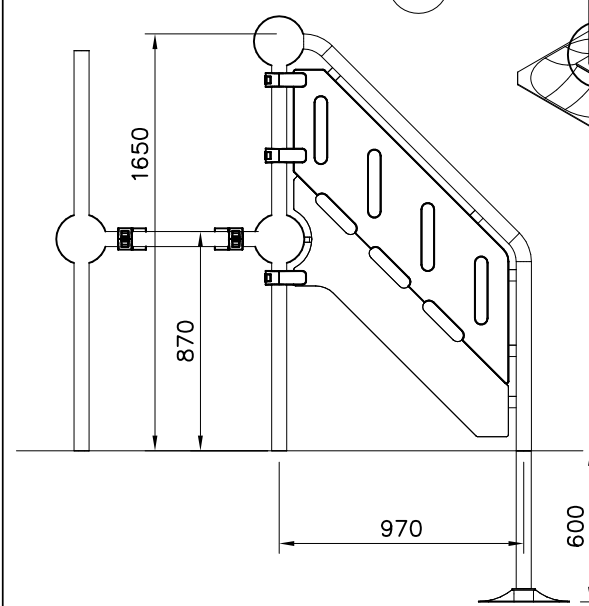
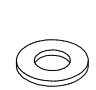
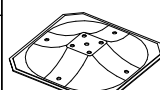
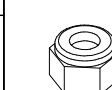
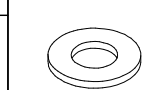
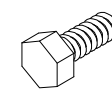
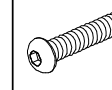
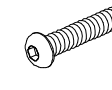

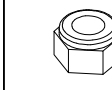
												
<p>$h < 600$</p> <p>Without movement and therefore without Impact Area</p>	<p>Totally hard surfaces.</p> <p>Note. Lappset does <u>not recommend</u> totally hard surfaces at all.</p>	<p>E.g. concrete or asphalt</p> 										
<p>$h < 600$</p> <p>With movement e.g. rocking</p>	<p>Materials with very limited impact attenuating properties.</p>	<p>E.g. wood</p> 										
<p>$h < 1000$</p>	<p>Materials with significant impact attenuating properties.</p>	<p>fine gravel 0–8 mm</p>  <p>grass</p>  <p>unsorted sand</p> 										
<p>$h < 3000$</p>	<p>Loose fill material</p> <p>E.g. sand/gravel 0,25...8 mm D60/D10<3,0 Woodchips 5...30 mm bark 20...80 mm</p>	 <table data-bbox="1021 1680 1356 1792"> <tr> <td>\underline{S}</td> <td>\underline{h}</td> </tr> <tr> <td>30 cm</td> <td>< 2,0 m</td> </tr> <tr> <td>40 cm</td> <td>< 3,0 m</td> </tr> </table>	\underline{S}	\underline{h}	30 cm	< 2,0 m	40 cm	< 3,0 m				
\underline{S}	\underline{h}											
30 cm	< 2,0 m											
40 cm	< 3,0 m											
	<p>Syntethic granulates</p> <table data-bbox="399 1881 766 2060"> <tr> <td>\underline{S}</td> <td>\underline{h}</td> </tr> <tr> <td>40 mm</td> <td>~> 1,2...1,3 m</td> </tr> <tr> <td>50 mm</td> <td>~> 1,5...1,7 m</td> </tr> <tr> <td>60 mm</td> <td>~> 1,8...2,0 m</td> </tr> <tr> <td>70 mm</td> <td>~> 2,1...2,5 m</td> </tr> </table> <p>Note. For accurate values, see manufacturer's instructions.</p>	\underline{S}	\underline{h}	40 mm	~> 1,2...1,3 m	50 mm	~> 1,5...1,7 m	60 mm	~> 1,8...2,0 m	70 mm	~> 2,1...2,5 m	
\underline{S}	\underline{h}											
40 mm	~> 1,2...1,3 m											
50 mm	~> 1,5...1,7 m											
60 mm	~> 1,8...2,0 m											
70 mm	~> 2,1...2,5 m											

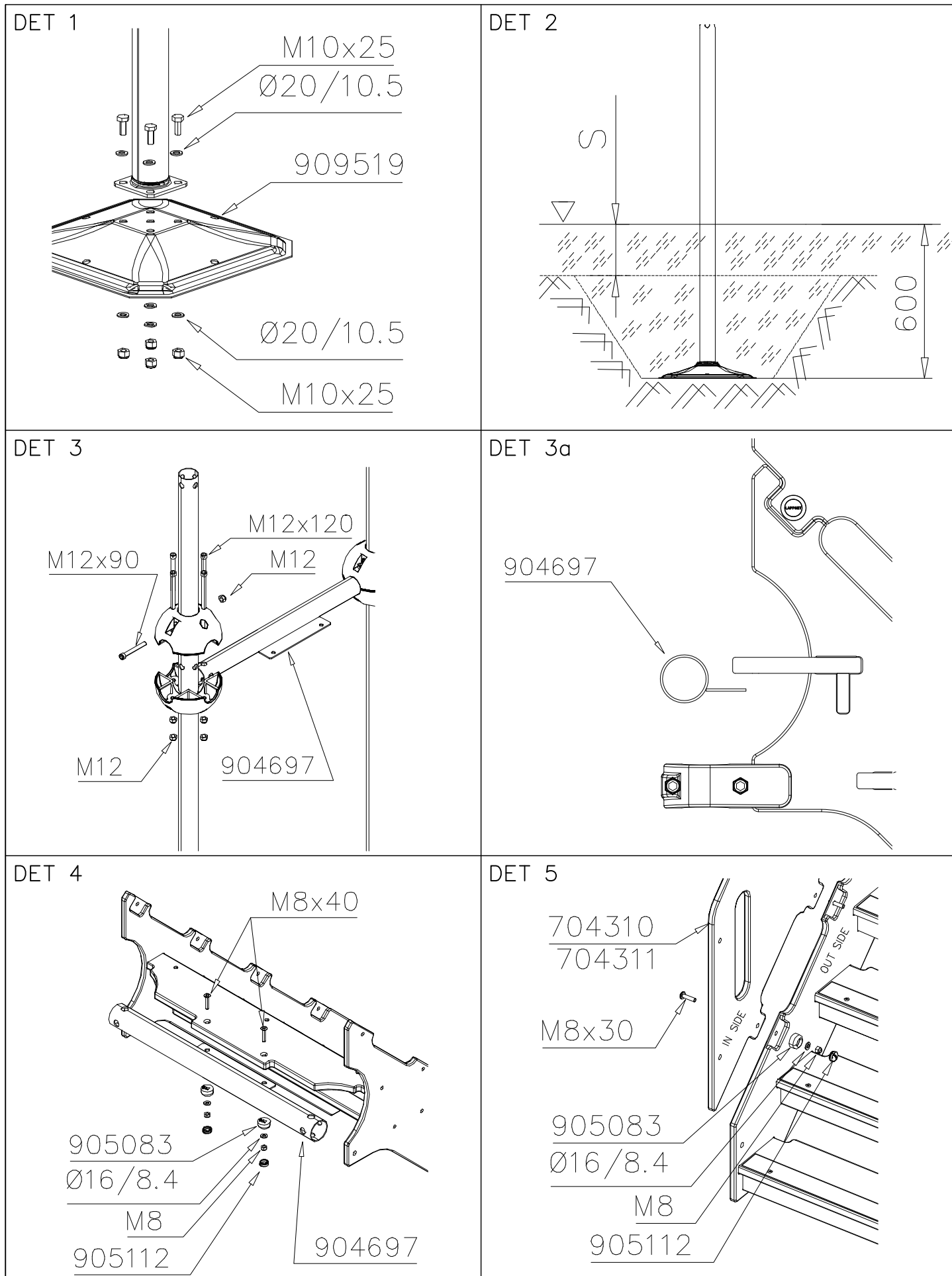
REMOVE SAFETY SURFACE/SAND/GRAVEL
TO CHECK FOUNDATION



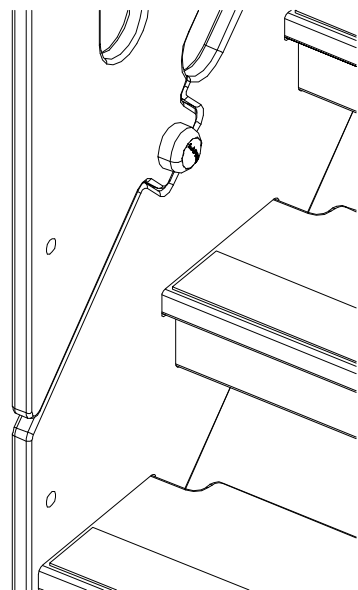
REMOVE SAFETY SURFACE/SAND/GRAVEL
TO CHECK FOUNDATION



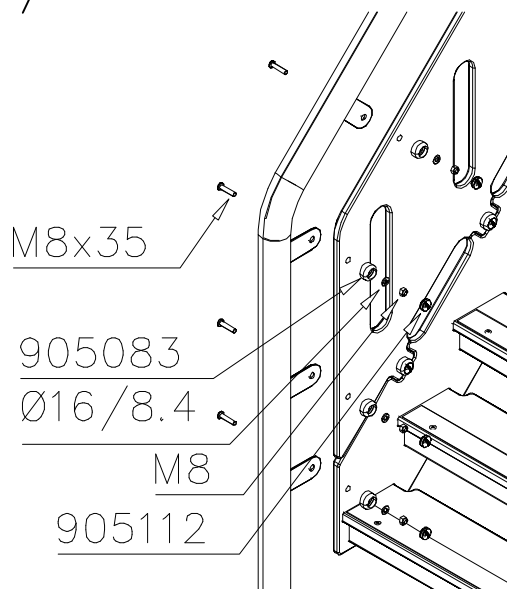
				① 704309	PCS	② 704310	PCS
					1		1
						LEFT	
				③ 704311	PCS	④ 902124	PCS
					1		12
						RIGHT	
						150x50x50	
				⑤ 902232	PCS	⑥ 902233	PCS
					6		6
						M10x55	
		M10x30					
⑦ 904068	PCS	⑧ 904697	PCS				
	2		1				
		M8x40					
		Ø60.3x2.9x710					
⑨ 904760	PCS	⑩ 904761	PCS				
	1		1				
		LEFT					
		RIGHT					
⑪ 905083	PCS	⑫ 905112	PCS				
	20		20				
		Ø32					
		Ø22					
				⑬ 909256	PCS	⑭ 909519	PCS
					20		2
		Ø16/8.4x1.6					
		50x380x380					
⑮ 909637	PCS	⑯ 909638	PCS				
	8		16				
		M10					
		Ø20/10.5					
⑰ 909639	PCS	⑱ 909852	PCS				
	8		8				
		M10x25					
		M8x30					
⑲ 909855	PCS	⑳ 980160	PCS				
	10		20				
		M8x35					
		M8					
㉑ 980161	PCS		PCS				
	12						
		M10					



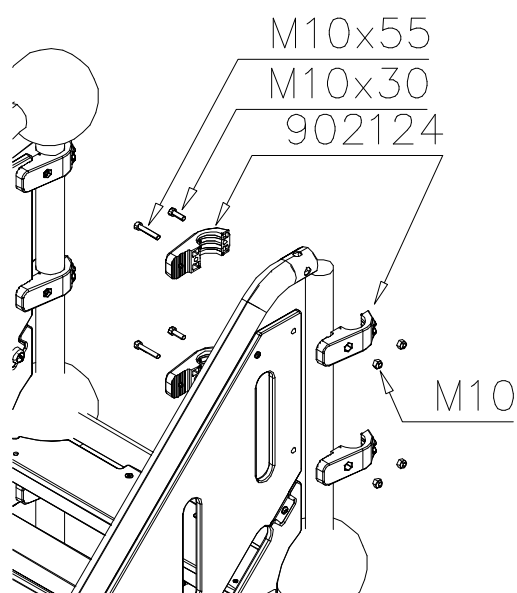
DET 6



DET 7



DET 8



WINAM GROUP FLOOR (SLIDE)

CLOXX

DATE: 3.10.2013



○ 704432 	○ 704038 	PCS 1	○ 902124 	PCS 12	○ 902232 	PCS 6	○ 902233 	PCS 6	○ 980161 	PCS 12		PCS
			150x50x50		M10x55		M10x30		M10			
		PCS	○ 909109 	PCS 2	○ 905090 	PCS 2	○ 980154 	PCS 2	○ 909248 	PCS 2	○ 905115 	PCS 2
			M12x40		Ø45		Ø24/13		M12		Ø32	
		PCS		PCS		PCS		PCS		PCS		PCS
○ 704447 	○ 704446 	PCS 1	○ 902124 	PCS 12	○ 902232 	PCS 6	○ 902233 	PCS 6	○ 980161 	PCS 12		PCS
			150x50x50		M10x55		M10x30		M10			
		PCS	○ 909109 	PCS 2	○ 905090 	PCS 2	○ 980154 	PCS 2	○ 909248 	PCS 2	○ 905115 	PCS 2
			M12x40		Ø45		Ø24/13		M12		Ø32	
		PCS		PCS		PCS		PCS		PCS		PCS
○ 704666 	○ 704667 	PCS 1	○ 902124 	PCS 12	○ 902232 	PCS 6	○ 902233 	PCS 6	○ 980161 	PCS 12		PCS
			150x50x50		M10x55		M10x30		M10			
		PCS	○ 909109 	PCS 2	○ 905090 	PCS 2	○ 980154 	PCS 2	○ 909248 	PCS 2	○ 905115 	PCS 2
			M12x40		Ø45		Ø24/13		M12		Ø32	
		PCS		PCS		PCS		PCS		PCS		PCS

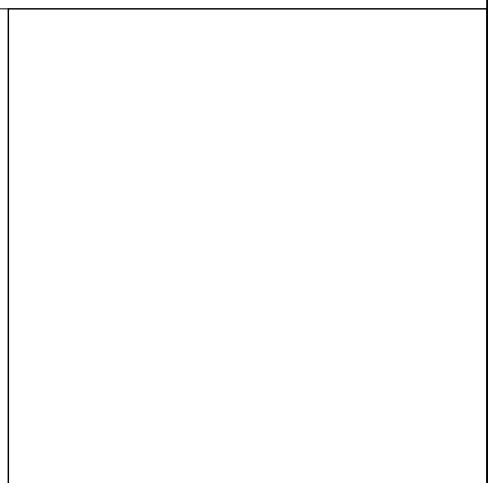
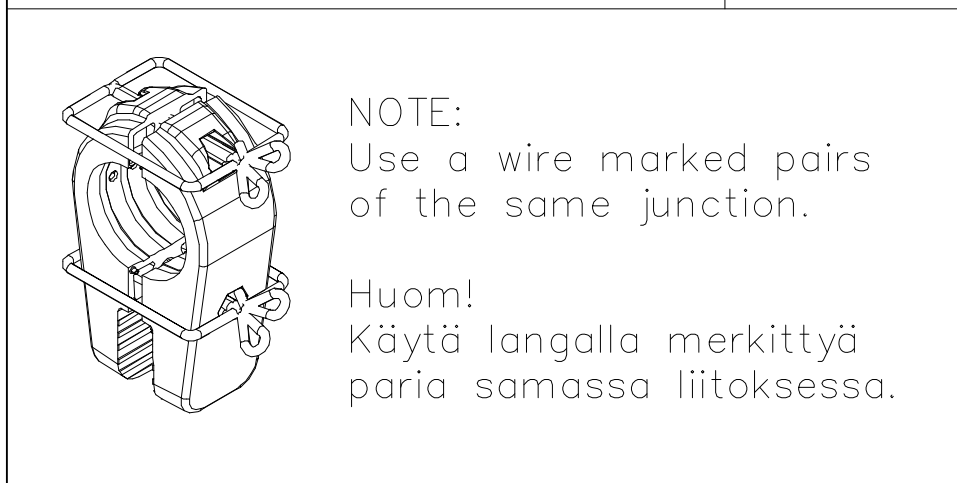
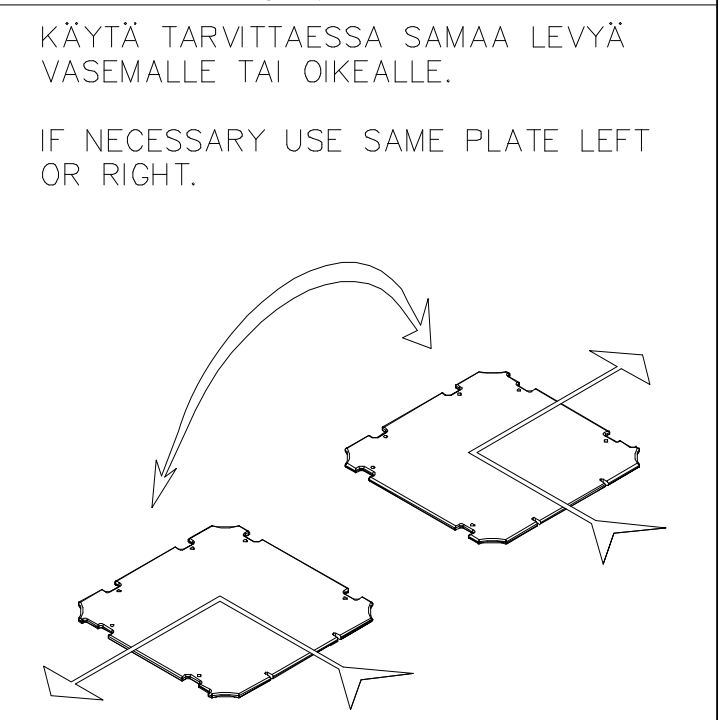
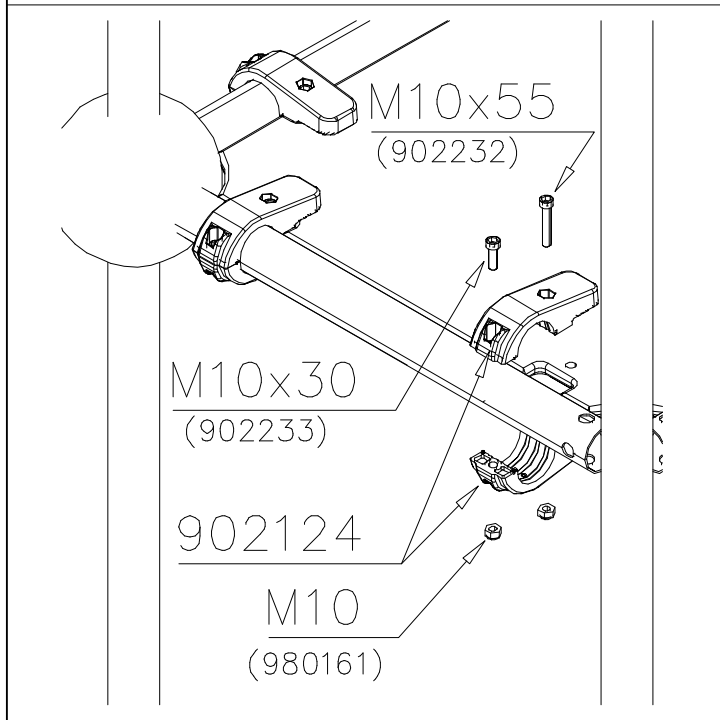
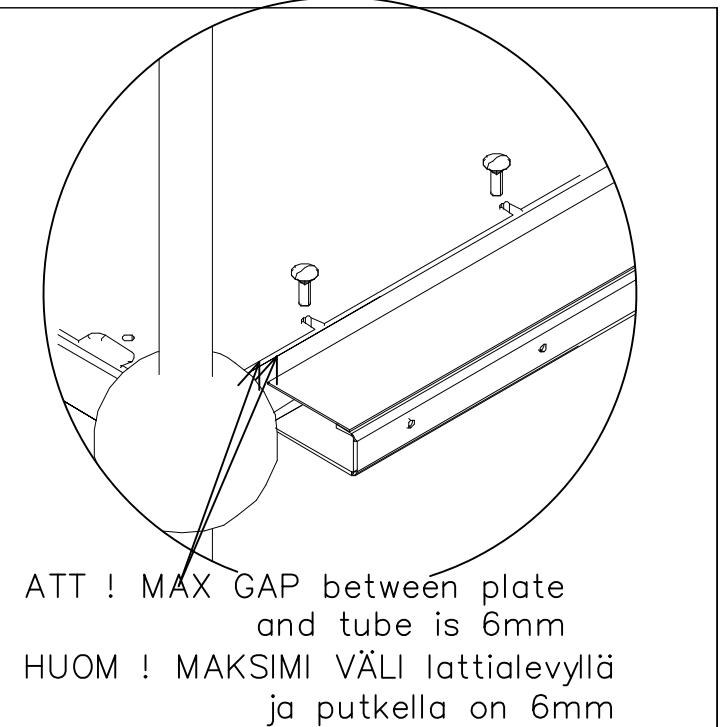
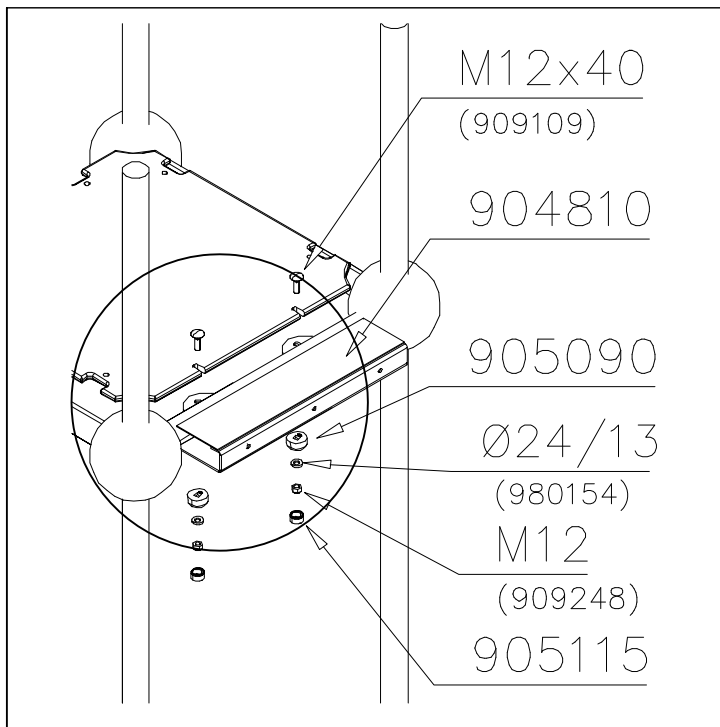
WINAM GROUP FLOOR (SLIDE)

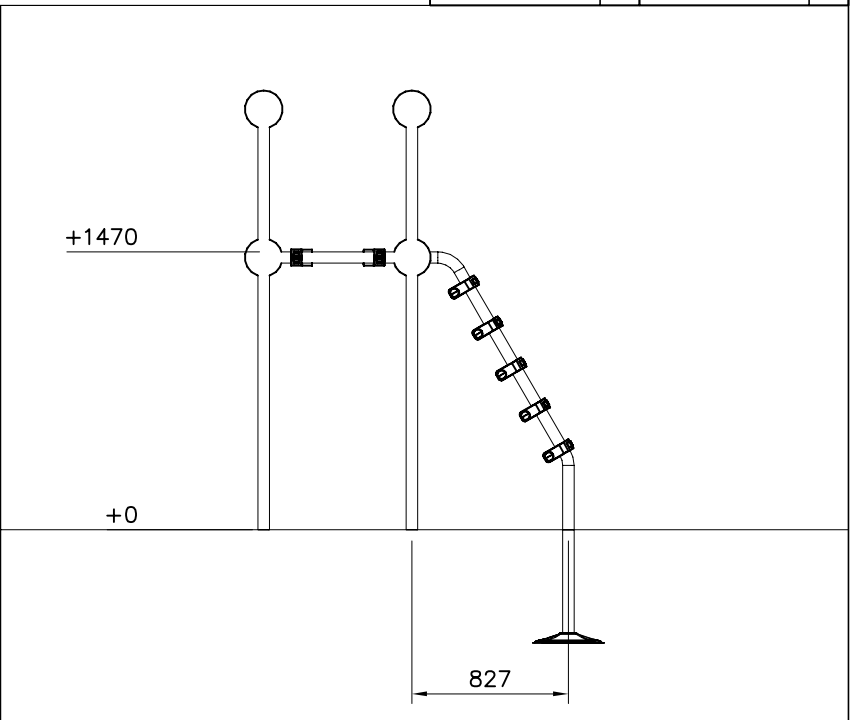
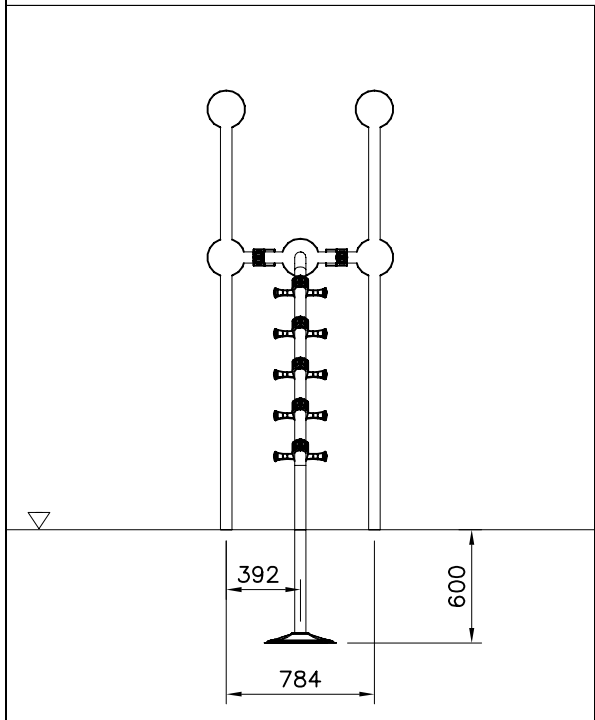
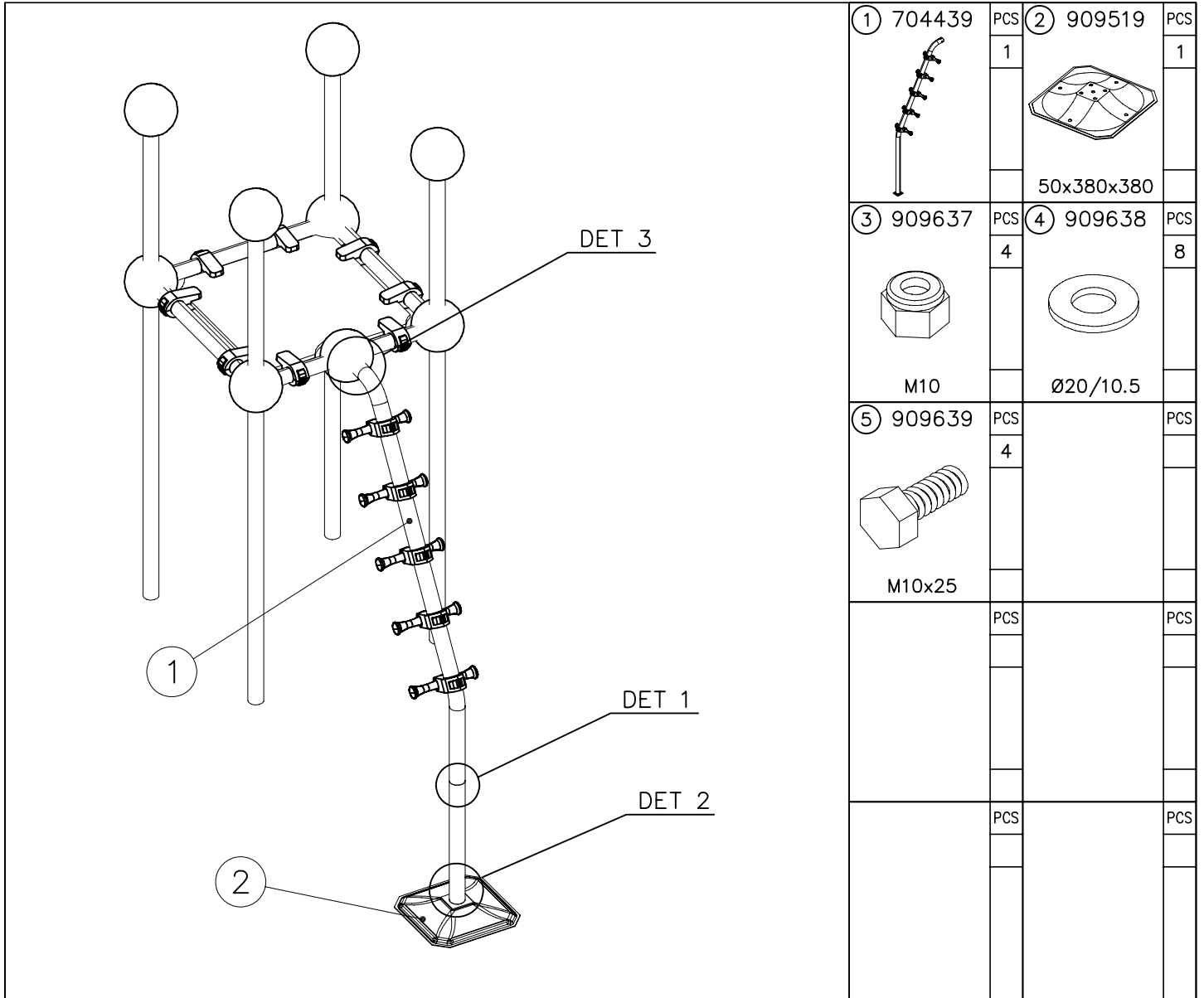
CLOXX

DATE: 3.10.2013

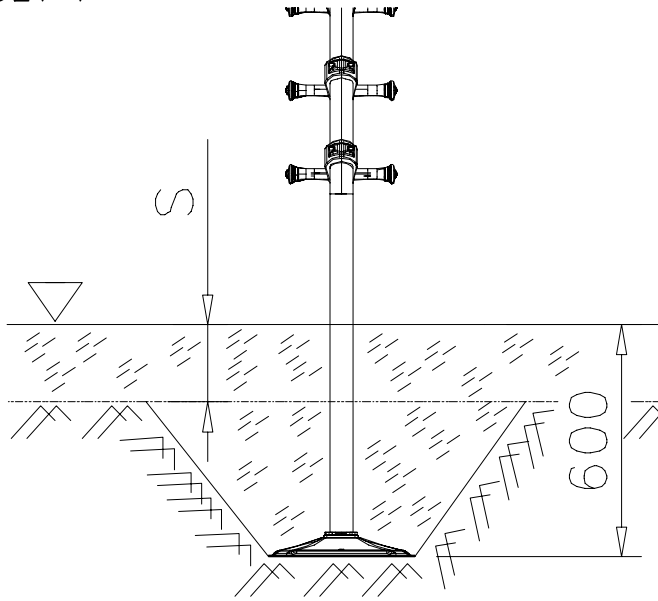


○ 704684 	○ 704685 	PCS 1	○ 902124 	PCS 12	○ 902232 	PCS 6	○ 902233 	PCS 6	○ 980161 	PCS 12		PCS
		PCS	○ 909109 	PCS 2	○ 905090 	PCS 2	○ 980154 	PCS 2	○ 909248 	PCS 2	○ 905115 	PCS 2
		PCS		PCS		PCS		PCS		PCS		PCS
○ 704692 	○ 704693 	PCS 1	○ 902124 	PCS 12	○ 902232 	PCS 6	○ 902233 	PCS 6	○ 980161 	PCS 12		PCS
		PCS	○ 909109 	PCS 2	○ 905090 	PCS 2	○ 980154 	PCS 2	○ 909248 	PCS 2	○ 905115 	PCS 2
		PCS		PCS		PCS		PCS		PCS		PCS
		PCS		PCS		PCS		PCS		PCS		PCS
		PCS		PCS		PCS		PCS		PCS		PCS

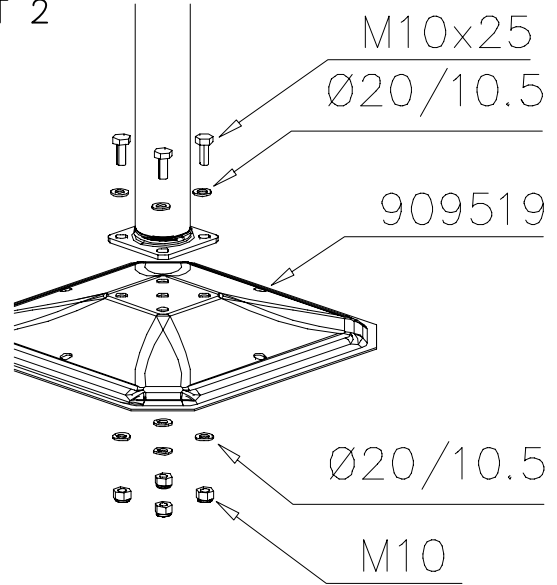




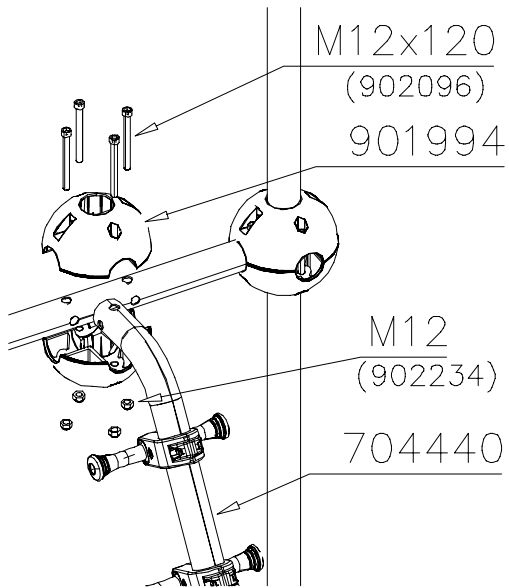
DET 1

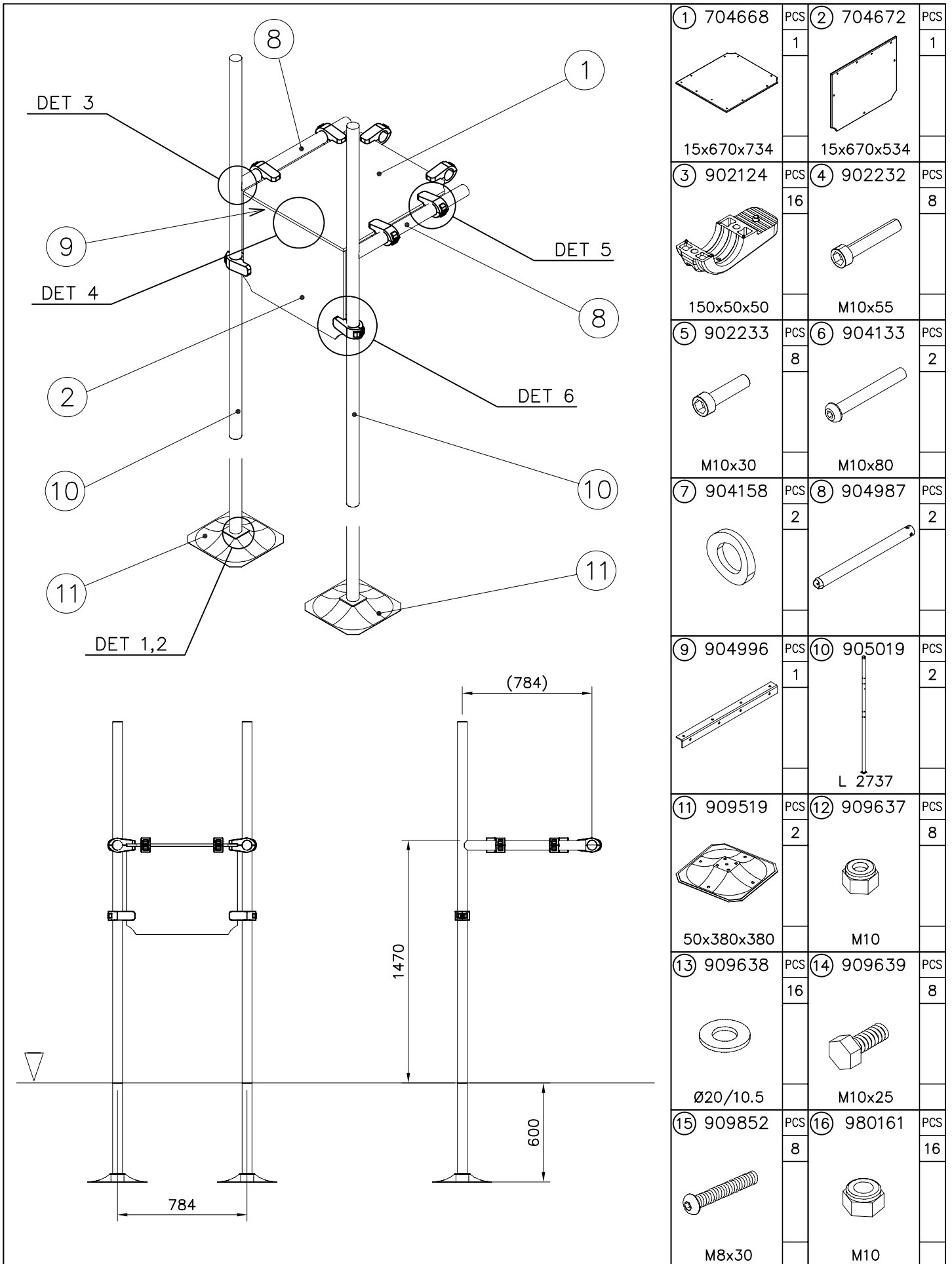


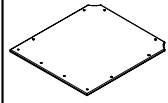
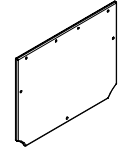
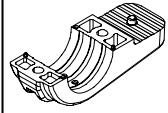
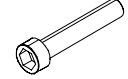
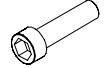
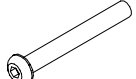
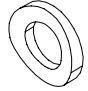
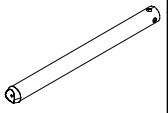
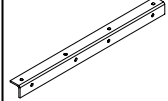

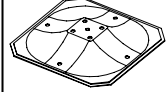


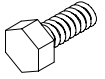
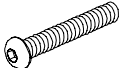
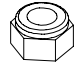
DET 2

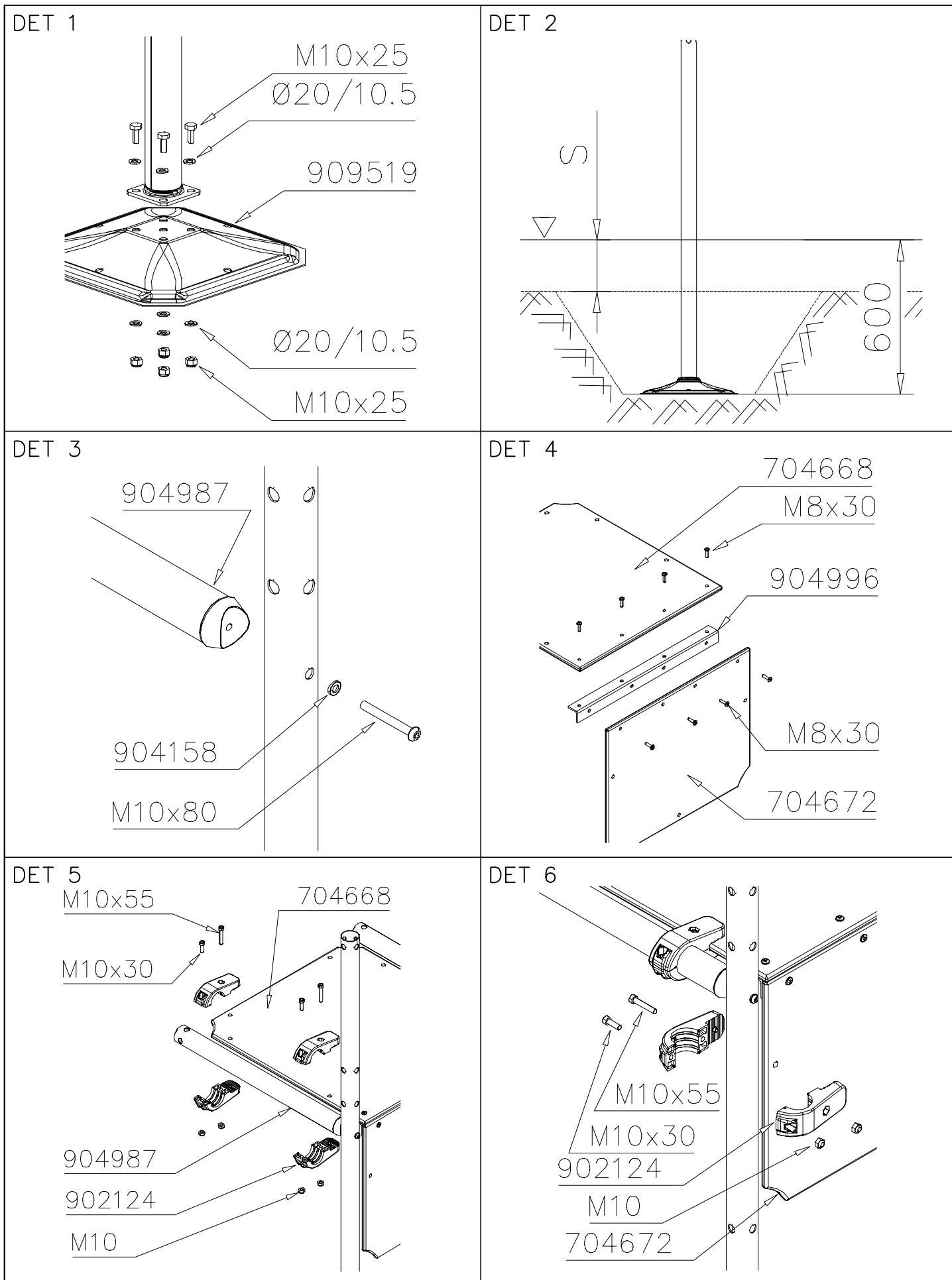


DET 3





① 704668	PCS	② 704672	PCS
	1		1
15x670x734		15x670x534	
③ 902124	PCS	④ 902232	PCS
	16		8
150x50x50		M10x55	
⑤ 902233	PCS	⑥ 904133	PCS
	8		2
M10x30		M10x80	
⑦ 904158	PCS	⑧ 904987	PCS
	2		2
⑨ 904996	PCS	⑩ 905019	PCS
	1		2
		L 2737	
⑪ 909519	PCS	⑫ 909637	PCS
	2		8
50x380x380		M10	
⑬ 909638	PCS	⑭ 909639	PCS
	16		8
Ø20/10.5		M10x25	
⑮ 909852	PCS	⑯ 980161	PCS
	8		16
M8x30		M10	



WINAM GROUP

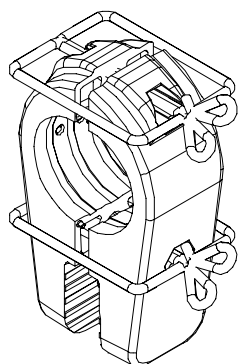
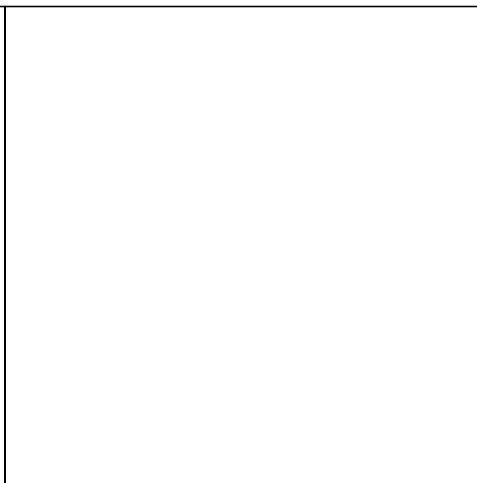
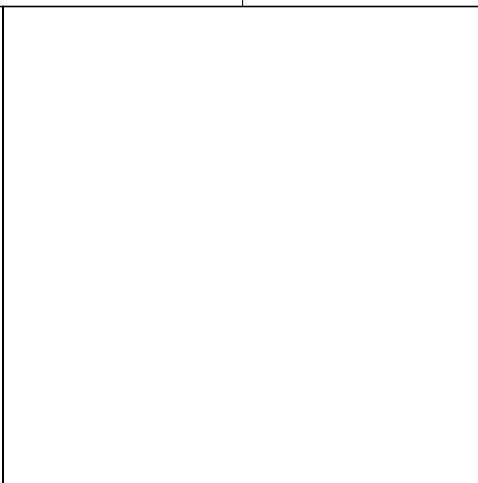
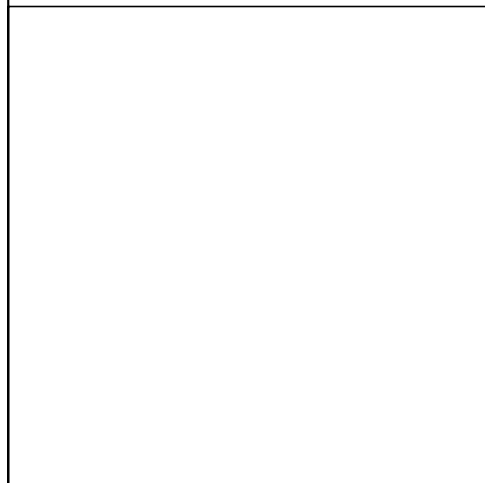
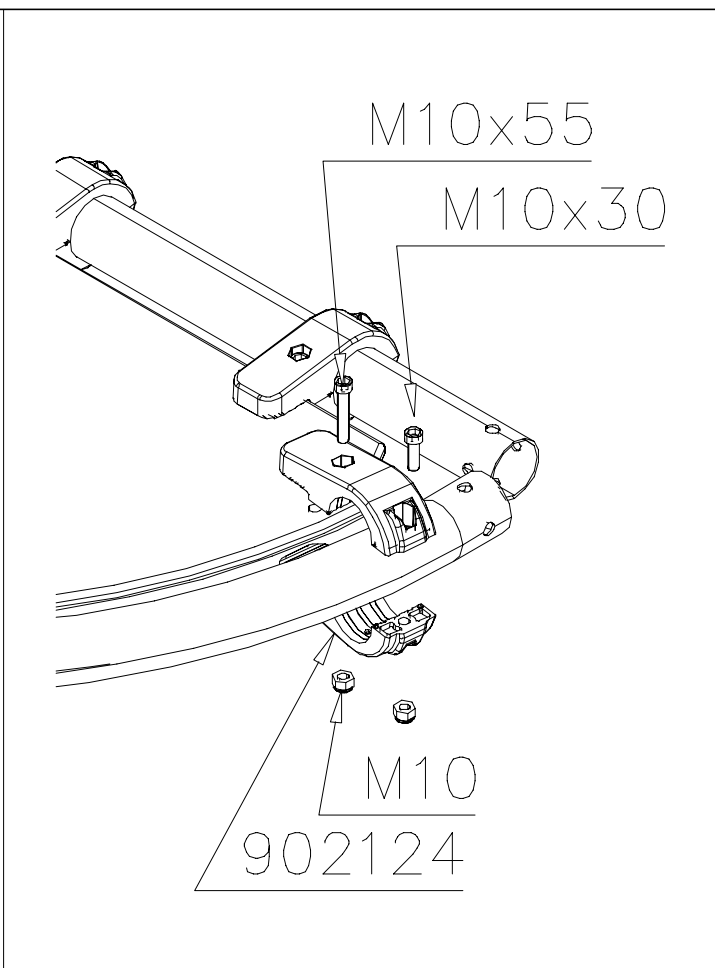
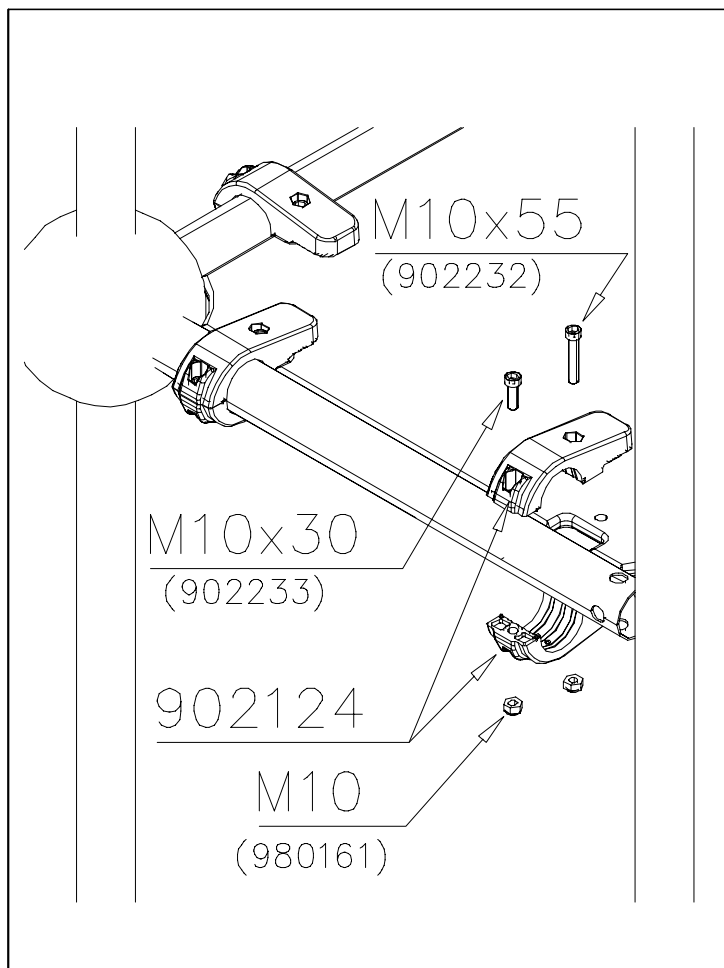
FLOOR 2

CLOXX

DATE: 10.5.2012

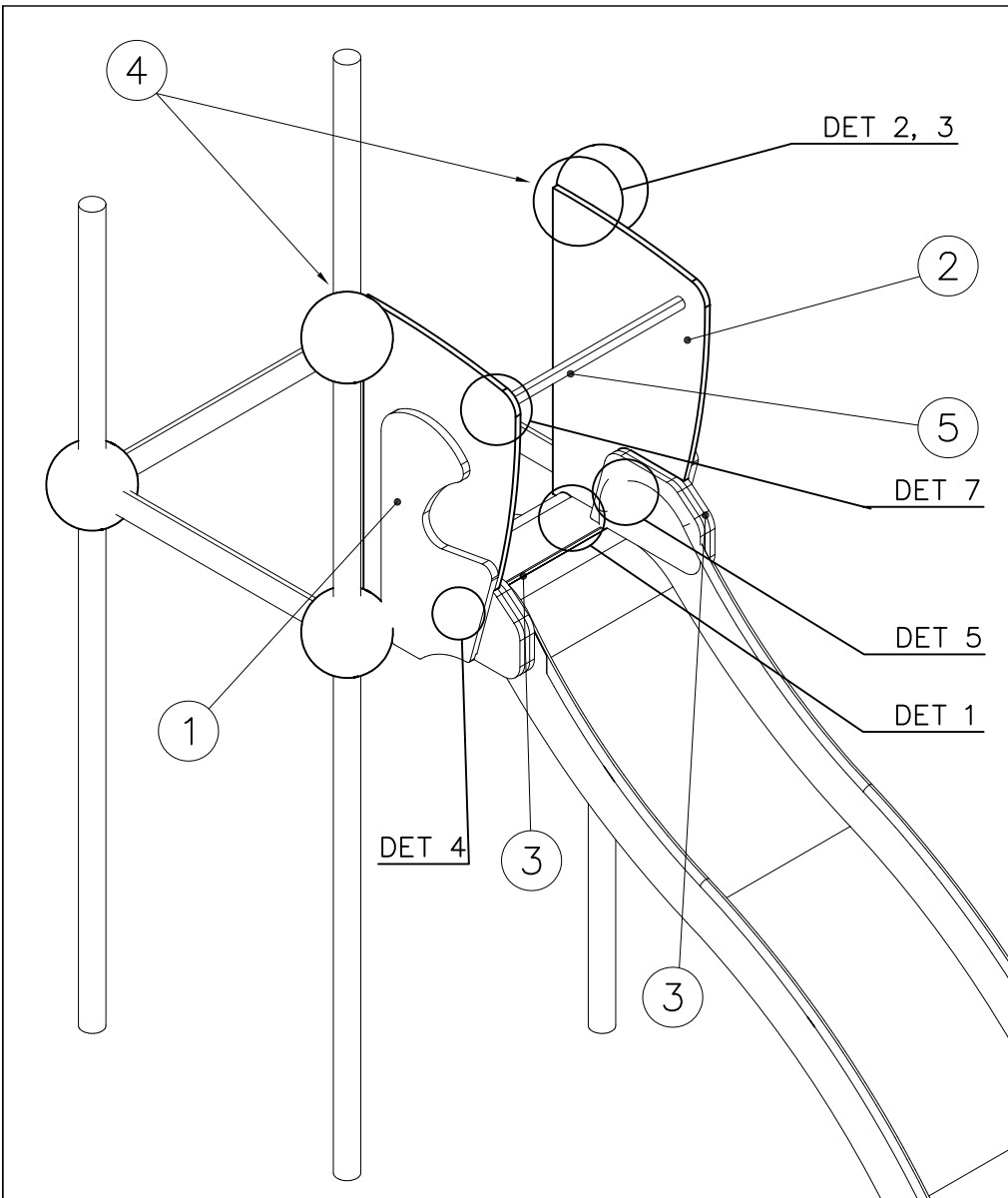
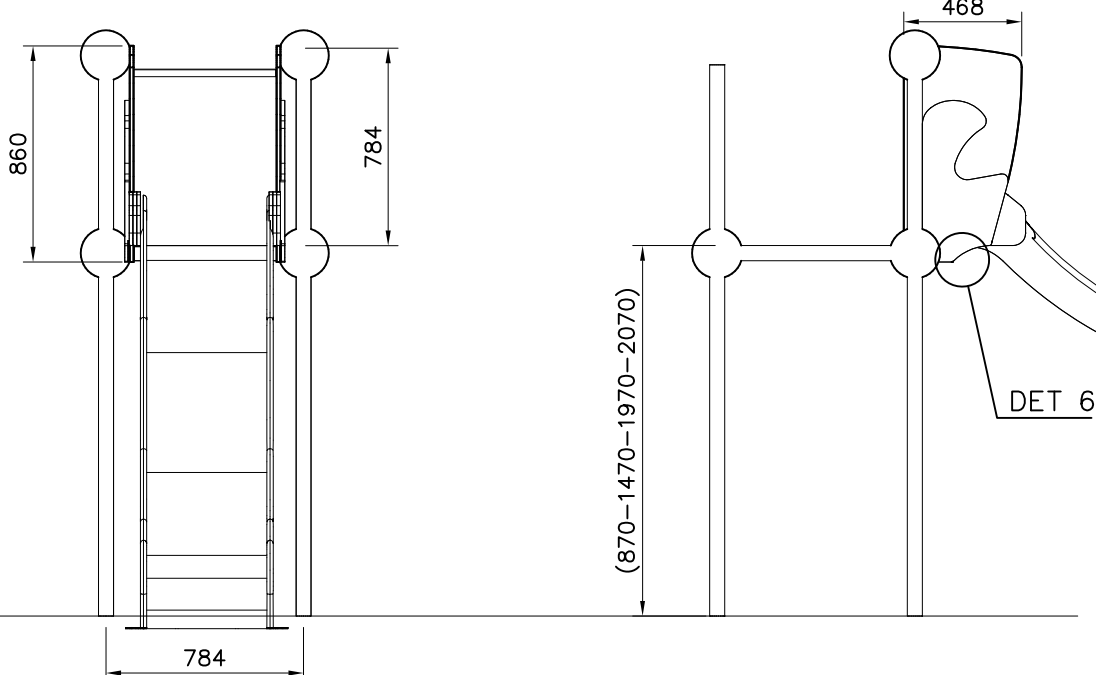


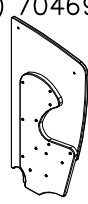
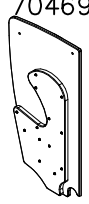
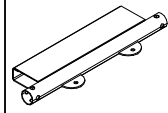
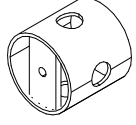
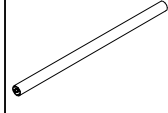
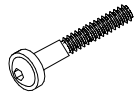

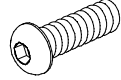

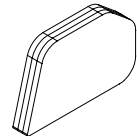
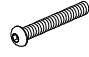
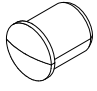
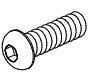
○ 704443 	○ 704442 	PCS 1	○ 902124 150x50x50	PCS 16	○ 902232 M10x55	PCS 8	○ 902233 M10x30	PCS 8	○ 980161 M10	PCS 16		PCS
○ 704703 	○ 704704 	PCS 1	○ 902124 150x50x50	PCS 16	○ 902232 M10x55	PCS 8	○ 902233 M10x30	PCS 8	○ 980161 M10	PCS 16		PCS
○ 704678 	○ 704679 	PCS 1	○ 902124 150x50x50	PCS 16	○ 902232 M10x55	PCS 8	○ 902233 M10x30	PCS 8	○ 980161 M10	PCS 16		PCS
○ 704694 	○ 704695 	PCS 1	○ 902124 150x50x50	PCS 14	○ 902232 M10x55	PCS 7	○ 902233 M10x30	PCS 7	○ 980161 M10	PCS 14		PCS
		PCS		PCS		PCS		PCS		PCS		PCS
		PCS		PCS		PCS		PCS		PCS		PCS
		PCS		PCS		PCS		PCS		PCS		PCS
		PCS		PCS		PCS		PCS		PCS		PCS

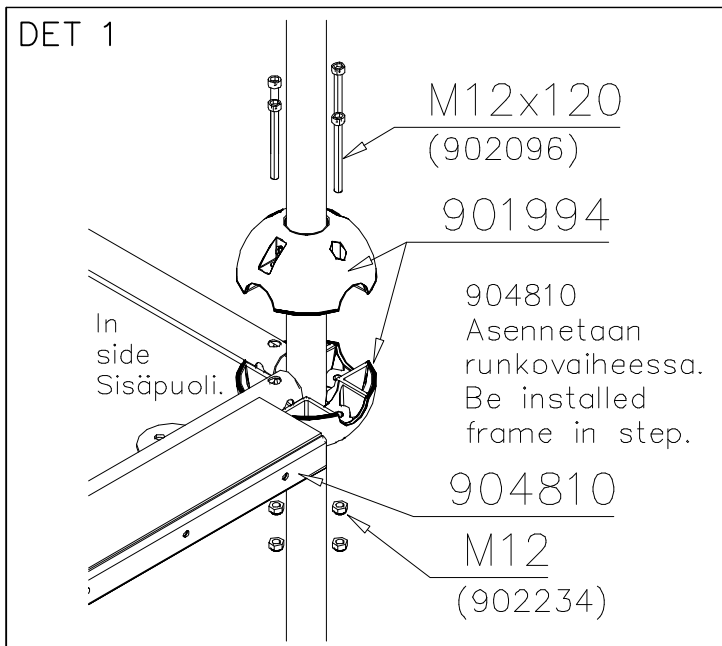
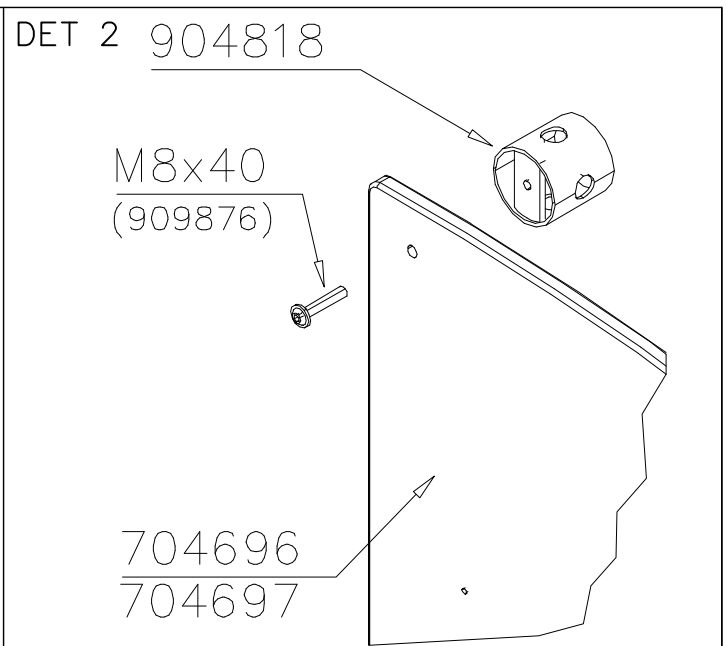
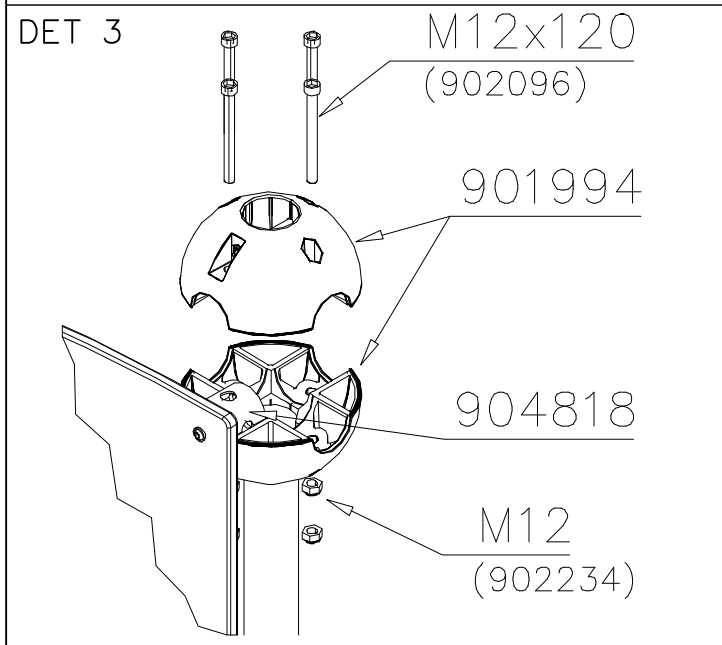
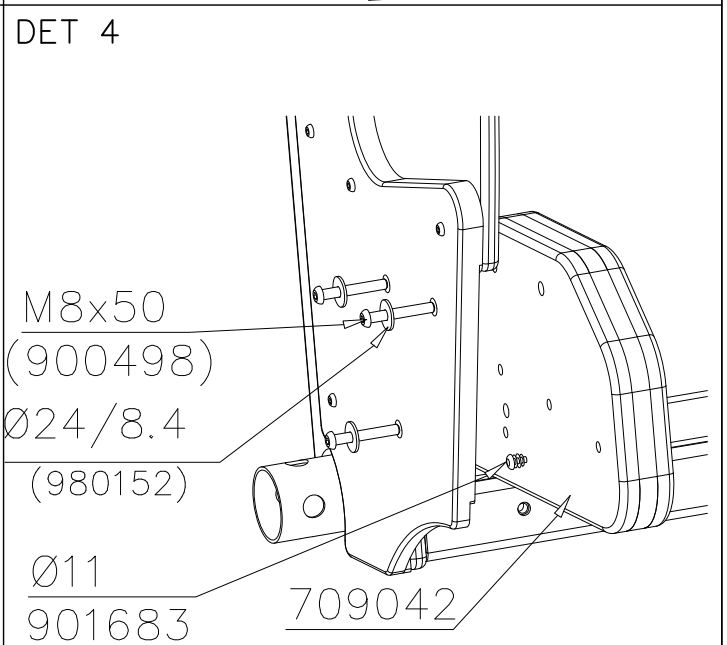
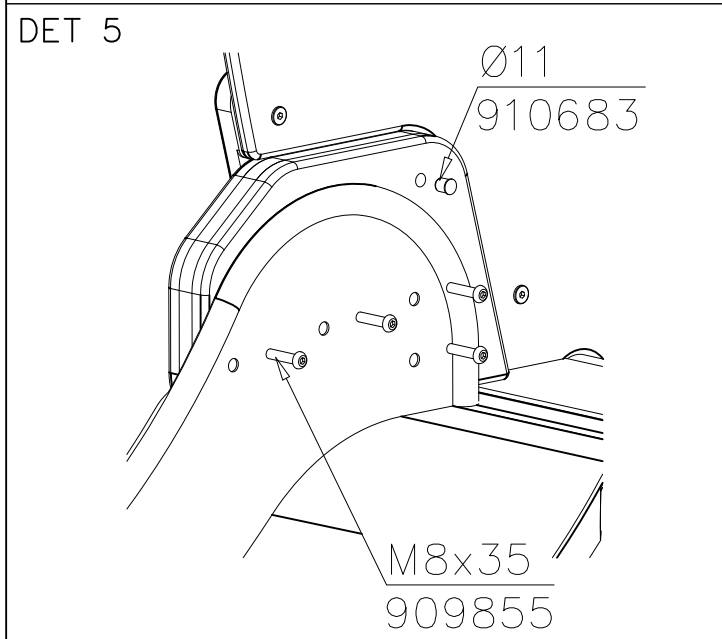
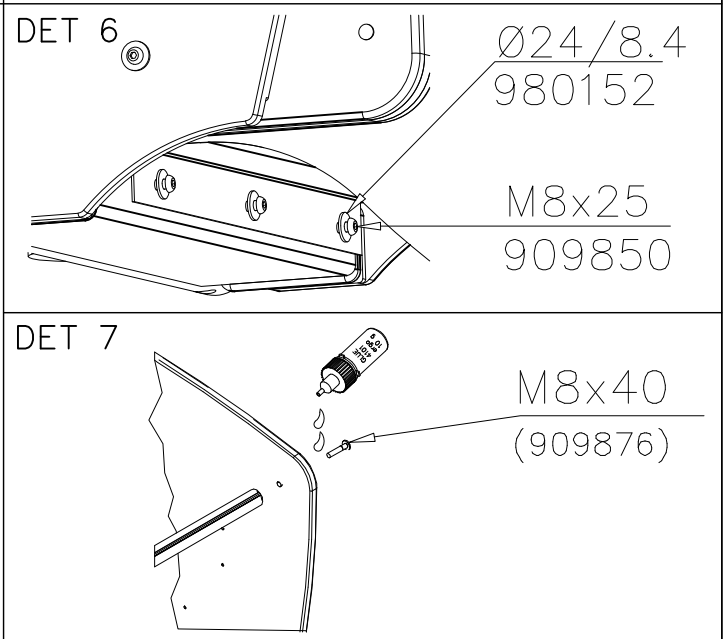
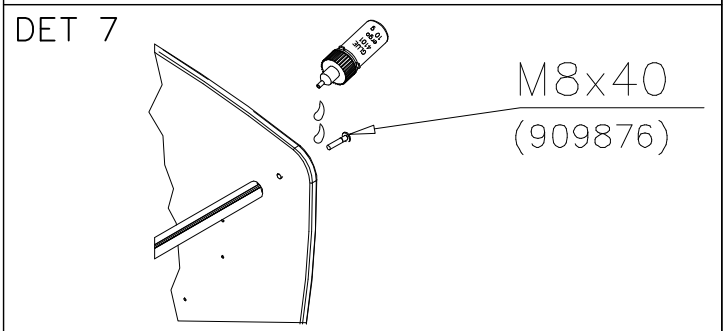


NOTE:
Use a wire marked pairs
of the same junction.

Huom!
Käytä langalla merkittyä
paria samassa liitoksessa.

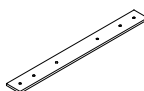






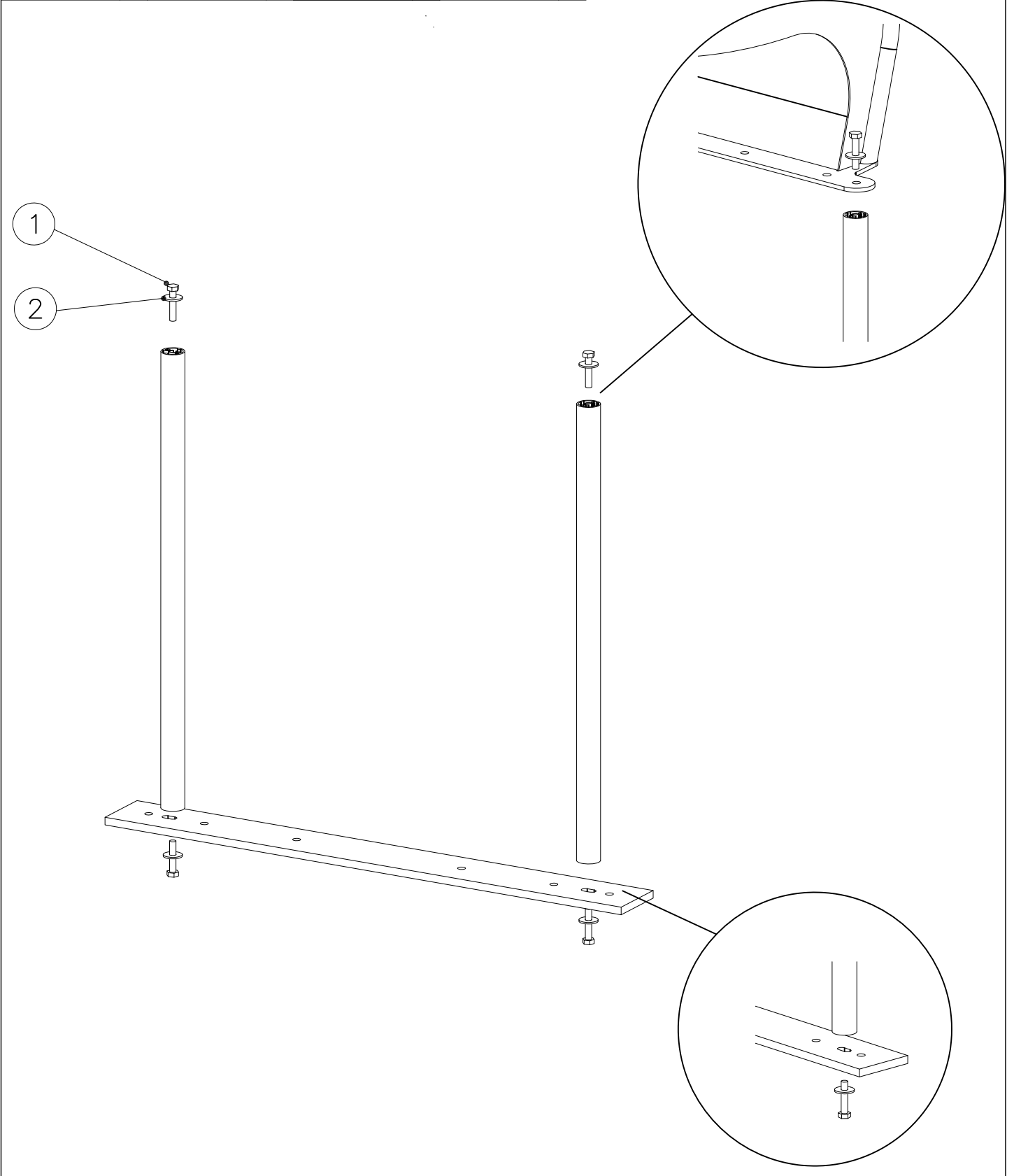
① 704696	PCS	② 704697	PCS
	1		1
③ 904810	PCS	④ 904818	PCS
	1		2
⑤ 904833	PCS	⑥ 909876	PCS
	1		4
Ø30x565		M8x40	
⑦ 980152	PCS	⑧ 900498	PCS
	9		6
Ø24/8.4		M8x50	
⑨ 999561	PCS	⑩ 709042	PCS
	1		2
10 g			
		⑪ 909855	PCS
			8
		M8x35	
		⑫ 910683	PCS
			4
		Ø11	
		⑬ 909850	PCS
			3
		M8x25	

<p>DET 1</p>  <p>M12x120 (902096)</p> <p>901994</p> <p>904810 Asennetaan runkoviheessa. Be installed frame in step.</p> <p>M12 (902234)</p> <p>In side Sisäpuoli.</p>	<p>DET 2 904818</p>  <p>M8x40 (909876)</p> <p>704696 704697</p>
<p>DET 3</p>  <p>M12x120 (902096)</p> <p>901994</p> <p>904818</p> <p>M12 (902234)</p>	<p>DET 4</p>  <p>M8x50 (900498)</p> <p>Ø24/8.4 (980152)</p> <p>Ø11 901683</p> <p>709042</p>
<p>DET 5</p>  <p>Ø11 910683</p> <p>M8x35 909855</p>	<p>DET 6</p>  <p>Ø24/8.4 980152</p> <p>M8x25 909850</p> <p>DET 7</p>  <p>M8x40 (909876)</p>

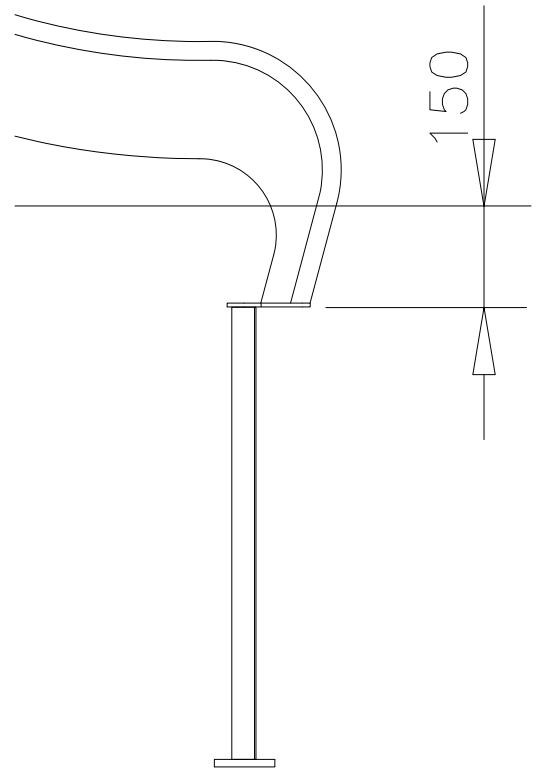
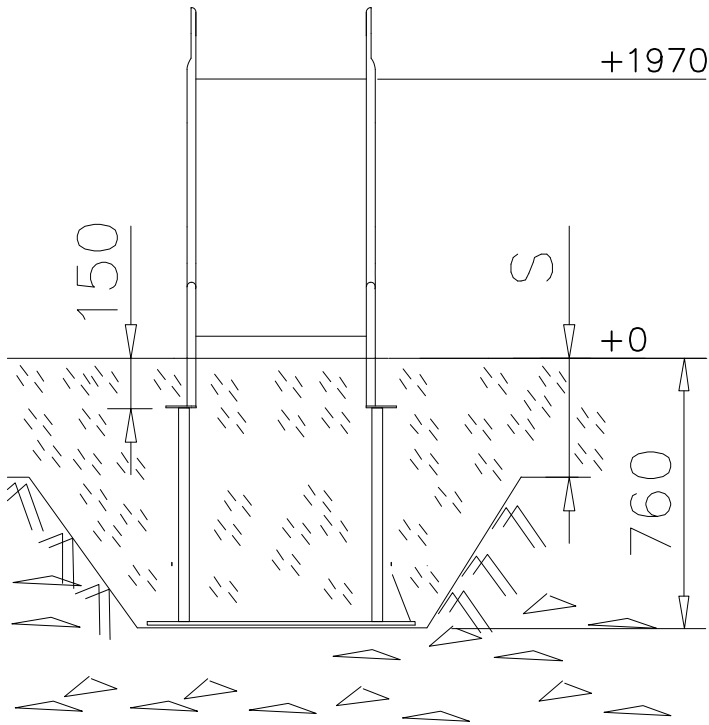
DEEP FOUNDATION

DATE: 11.2.2019

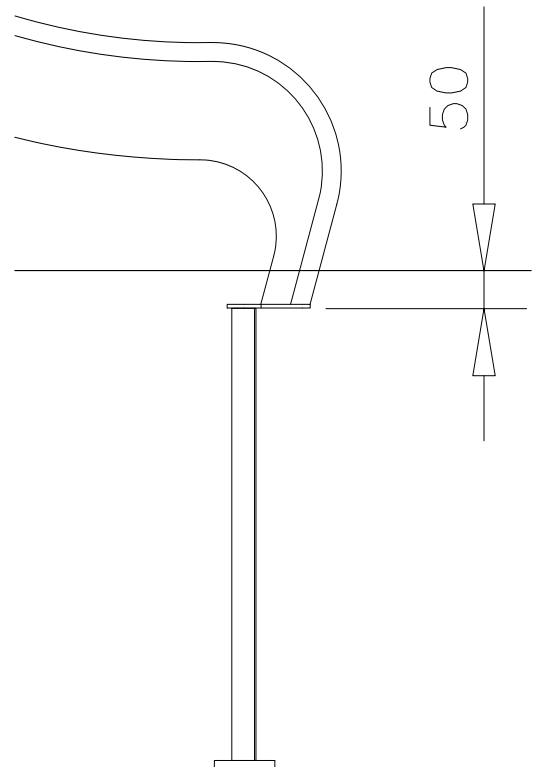
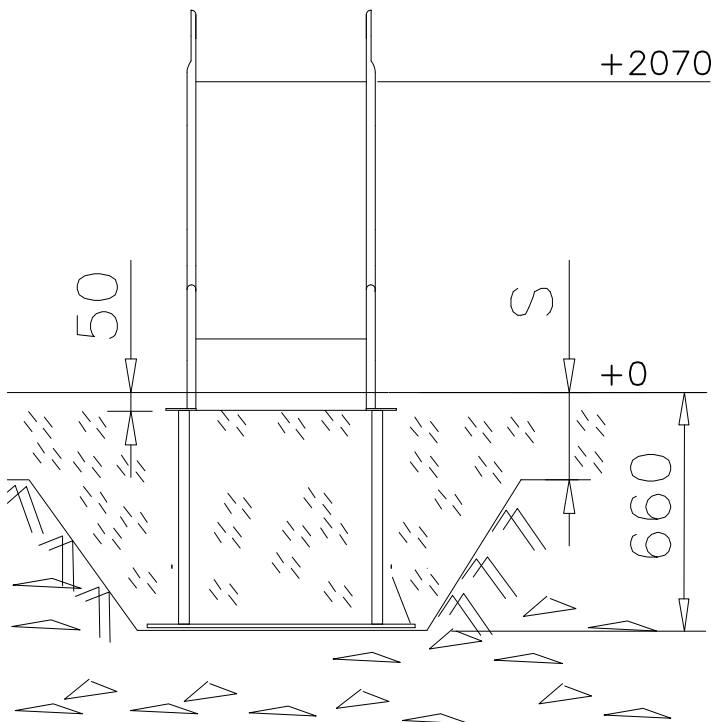
○ 707133	PCS	○ 901868	PCS	① 909210	PCS	② 905051	PCS
	1		2		4		4
							
10x80x745		Ø30x598		M8x40		Ø24/8.4	

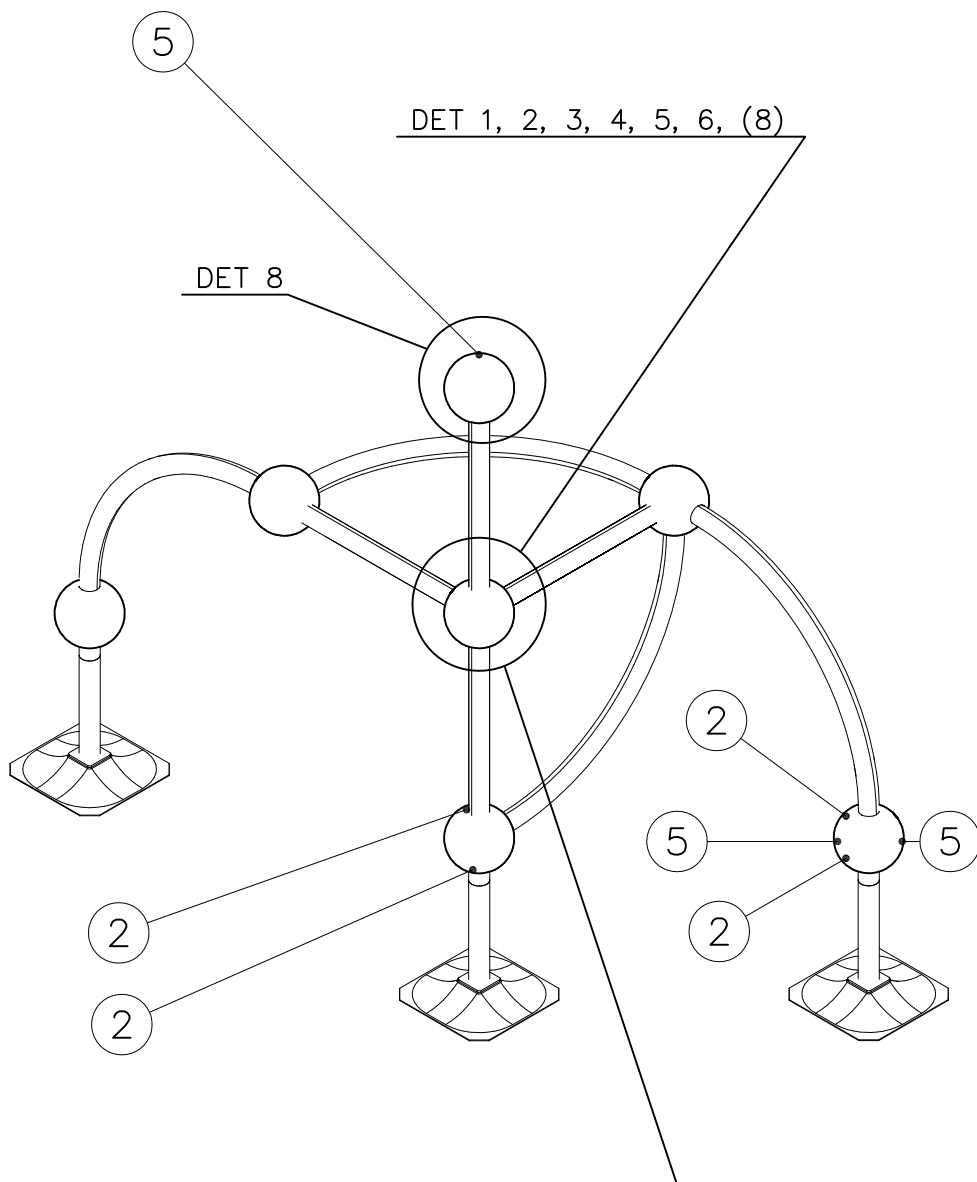


Floor level +1970

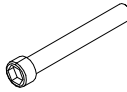

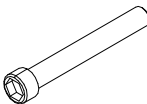



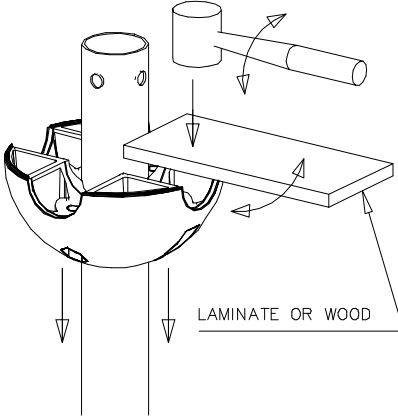
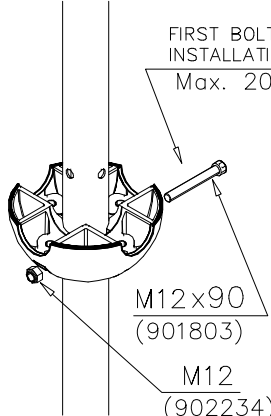
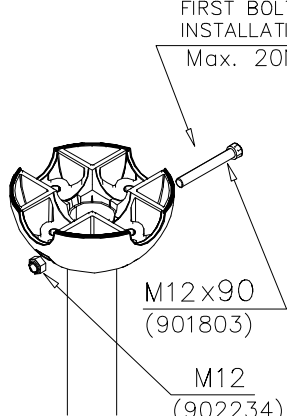
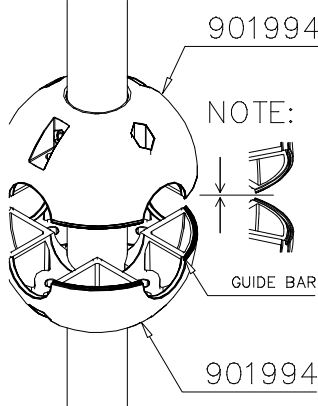
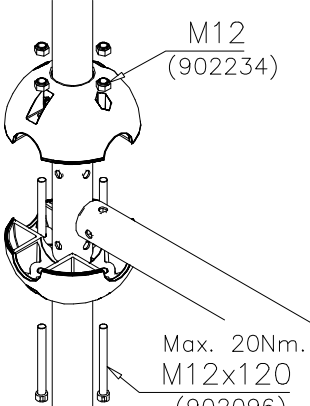
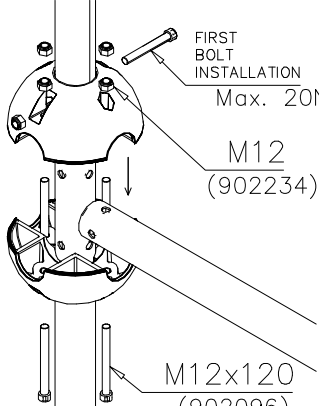
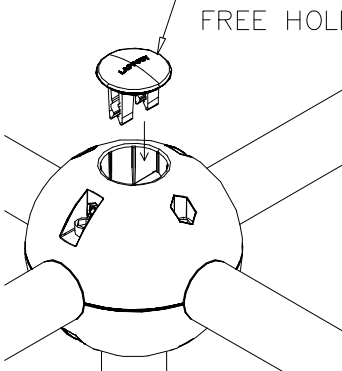
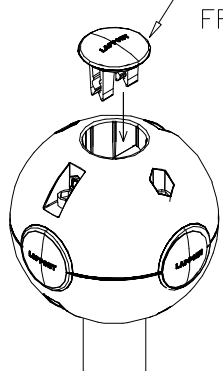
Floor level +2070

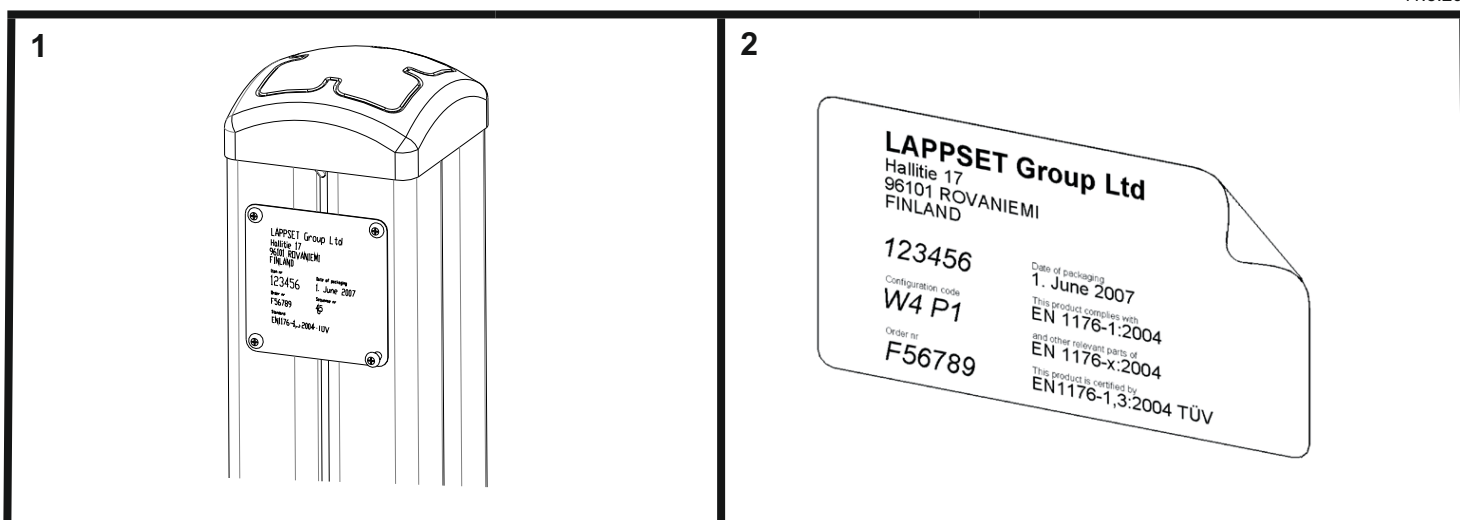




DO NOT TIGHTEN THE JOINTS UNTIL THE STRUCTURE IS COMPLETE.

① 901803	PCS	② 901994	PCS
	2		2
M12x90		Ø190	
③ 902096	PCS	④ 902234	PCS
	4		6
M12x120		M12	
	PCS		PCS
	PCS		PCS
	PCS		PCS
	PCS		PCS
	PCS		PCS

<p>DET 1</p>  <p>LAMINATE OR WOOD</p>	<p>DET 2</p>  <p>FIRST BOLT INSTALLATION Max. 20Nm.</p> <p>M12x90 (901803)</p> <p>M12 (902234)</p>	<p>DET 3</p>  <p>FIRST BOLT INSTALLATION Max. 20Nm.</p> <p>M12x90 (901803)</p> <p>M12 (902234)</p>
<p>DET 4</p>  <p>901994</p> <p>NOTE:</p> <p>GUIDE BAR</p> <p>901994</p>	<p>DET 5</p>  <p>M12 (902234)</p> <p>Max. 20Nm. M12x120 (902096)</p>	<p>DET 6</p>  <p>FIRST BOLT INSTALLATION Max. 20Nm.</p> <p>M12 (902234)</p> <p>M12x120 (902096)</p>
<p>REMEMBER FINAL TIGHTENING</p>	<p>DET 7</p>  <p>902157 or 904747 FREE HOLE</p>	<p>DET 8</p>  <p>902157 or 904747 FREE HOLE</p>



Tuotekyltti tulee tuotteen mukana yhdellä seuraavista tavoista:

1) Metallinen tuotekyltti ja kiinnitysruuvit

- Kiinnitä tuotekyltti ruuveilla tolppaan noin 2 metrin korkeuteen kuvan 2 mukaisesti.

2) Tuotekylttitarra

- Puhdista maalattu metalli- tai vaneripinta pölystä ja kosteudesta. Liimaa tarra kuvan 3 mukaisesti.
- Huom. Älä kiinnitä tarraa karheapintaiseen laminaattiin tai maalattuun puuhun.

Vår produktmärkning levereras på ett av följande sätt:

1) Produktskylt i metall

- Fäst skylten med de medföljande skruvarna

2) Självhäftande produktetikett

- Rengör den pulverlackerade metallytan eller laminatytans åttanblirfrån smutsoch fukt. Fäst etiketten enligt fig. 3.
- Obs! Fäst ej etiketten på detaljer med skrovlig yta eller på målat trä.

Product label is delivered by one of following ways:

1) Metal product label and screws

- Fasten the label with screws.

2) Label sticker

- Clean the painted metal or plywood surface from dirt and moisture. Fasten the sticker as shown in the figure 3.
- Note. Do not attach the sticker to rough surfaced laminate or painted wood.

La plaque d'informations produit est livrée sous l'une de ces 3 formes :

1) Plaque métallique et vis

- Fixez la plaque à l'aide des vis.

2) Etiquette autocollante

- Avant de coller l'étiquette, nettoyez le composant métallique peint ou la plaque de contreplaqué, de toute saleté. La surface doit être sèche (voir image 3).
- Attention, ne pas coller l'étiquette sur une surface lamellé-collée irrégulière ou sur du bois peint.

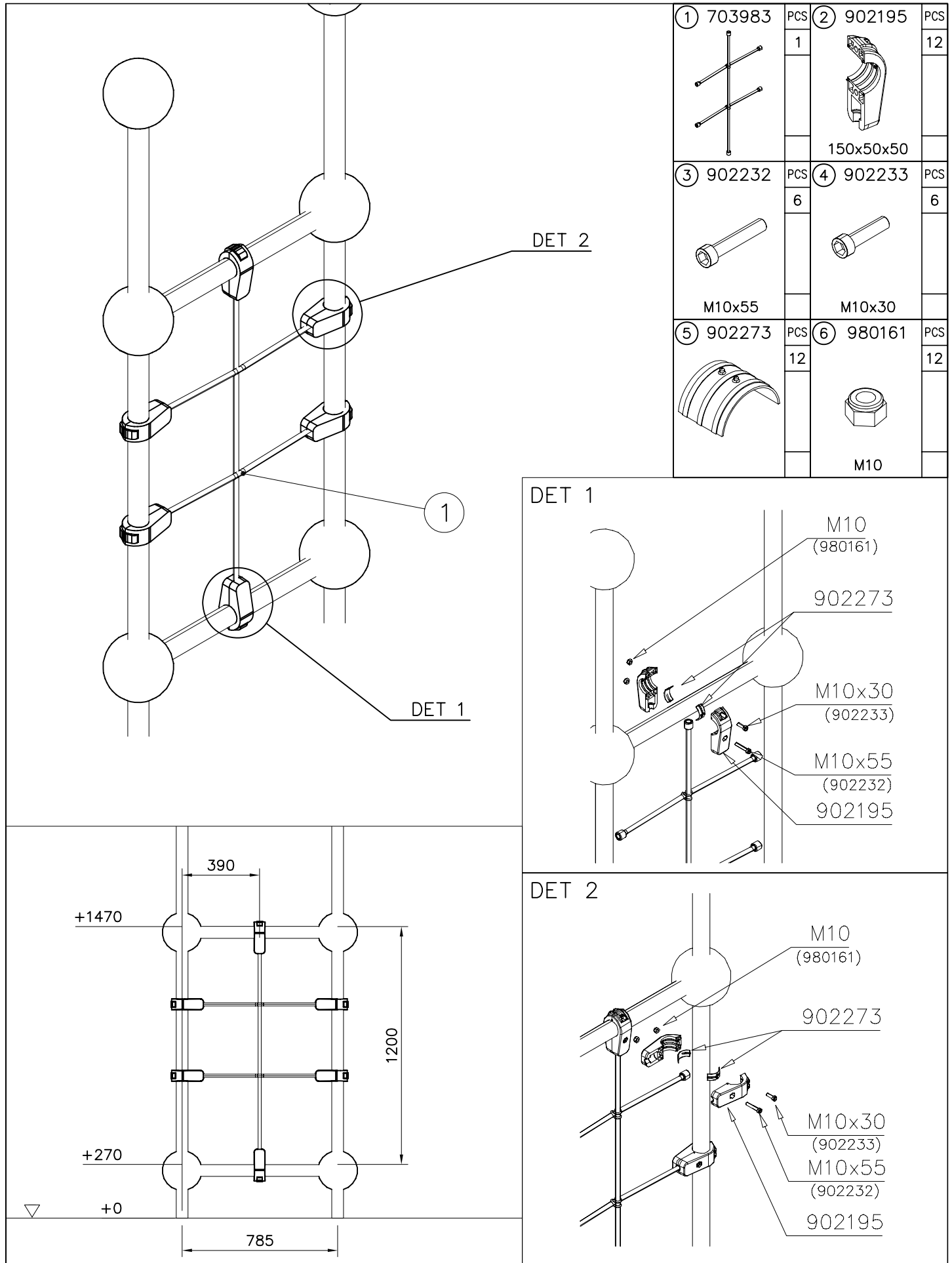
Die Auslieferung des Produktaufklebers erfolgt auf eine dieser Arten:

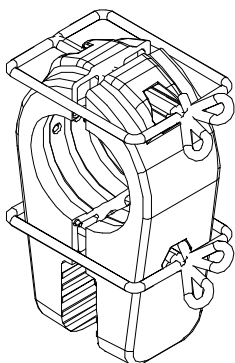
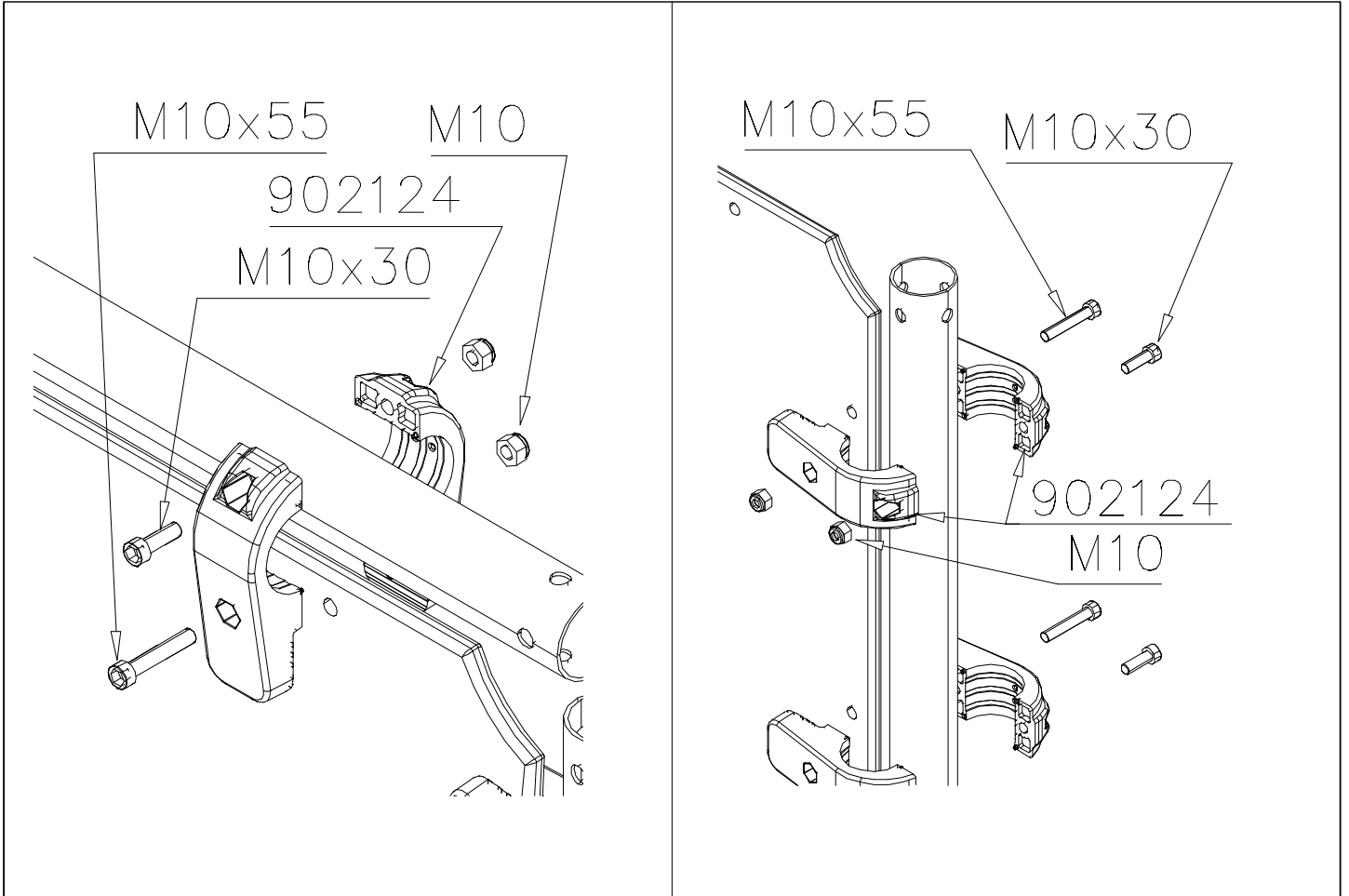
1) Produkt-Schild aus Metall incl. Schrauben

- Die Befestigung des Schildes erfolgt mittels der Schrauben.

2) Aufkleber

- Entfernen Sie zunächst Schmutz und Feuchtigkeit vom lackierten Metall bzw. von der Holzoberfläche und bringen Sie den Aufkleber wie im Bild oben rechts beschrieben auf den gesäuberten Untergrund auf.
- Beachten Sie: Bringen Sie den Aufkleber nicht auf raues laminiertes oder lackiertes Holz an.





NOTE:

Use a wire marked pairs of the same junction.

Huom!

Käytä langalla merkittyä paria samassa liitoksessa.

HUOM!

Otepalan asennus, säätö tai paikan vaihto.

Säätömahdollisuus (90°,180°,270°).

Jos asennetun otepalan suunta- tai paikkaa halutaan muuttaa.

Irrota otepalan kiinnityspultti ja otepala, käännä tai vaihda.

Siirrä tarvittaessa tappi oikeaan upotusreikään. Asenna avatut osat paikoilleen ja lopuksi kiinnitä muovitulppa Ø30 paikoilleen kaikkiin otekokoonpanoihin.

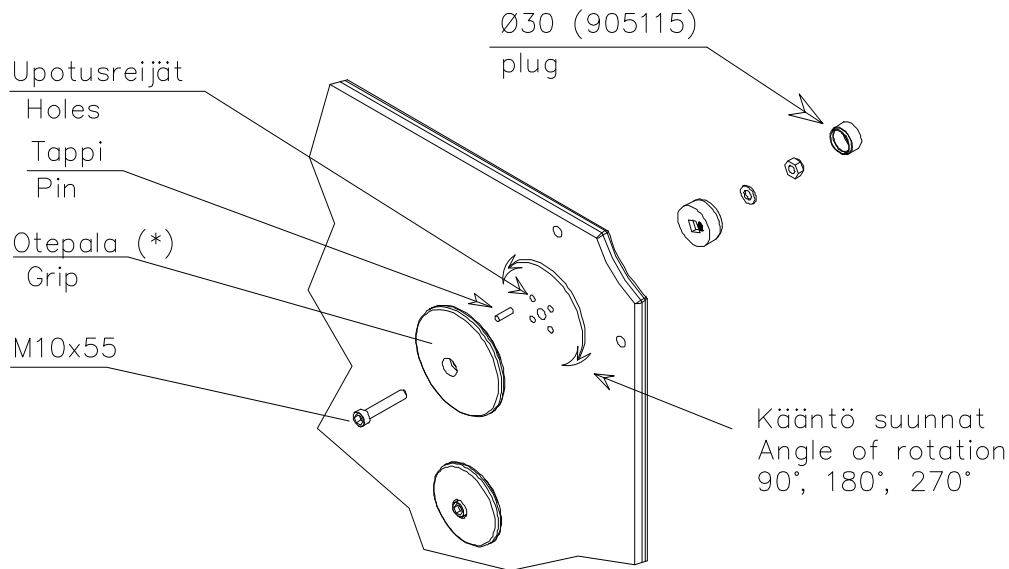
NOTE:

Grip positions and angles are adjustable (90°,180°270°).

Grip can be repositioned by removing the fastening bolt and pulling the grip off.

Securing pin can be repositioned when angle is changed.

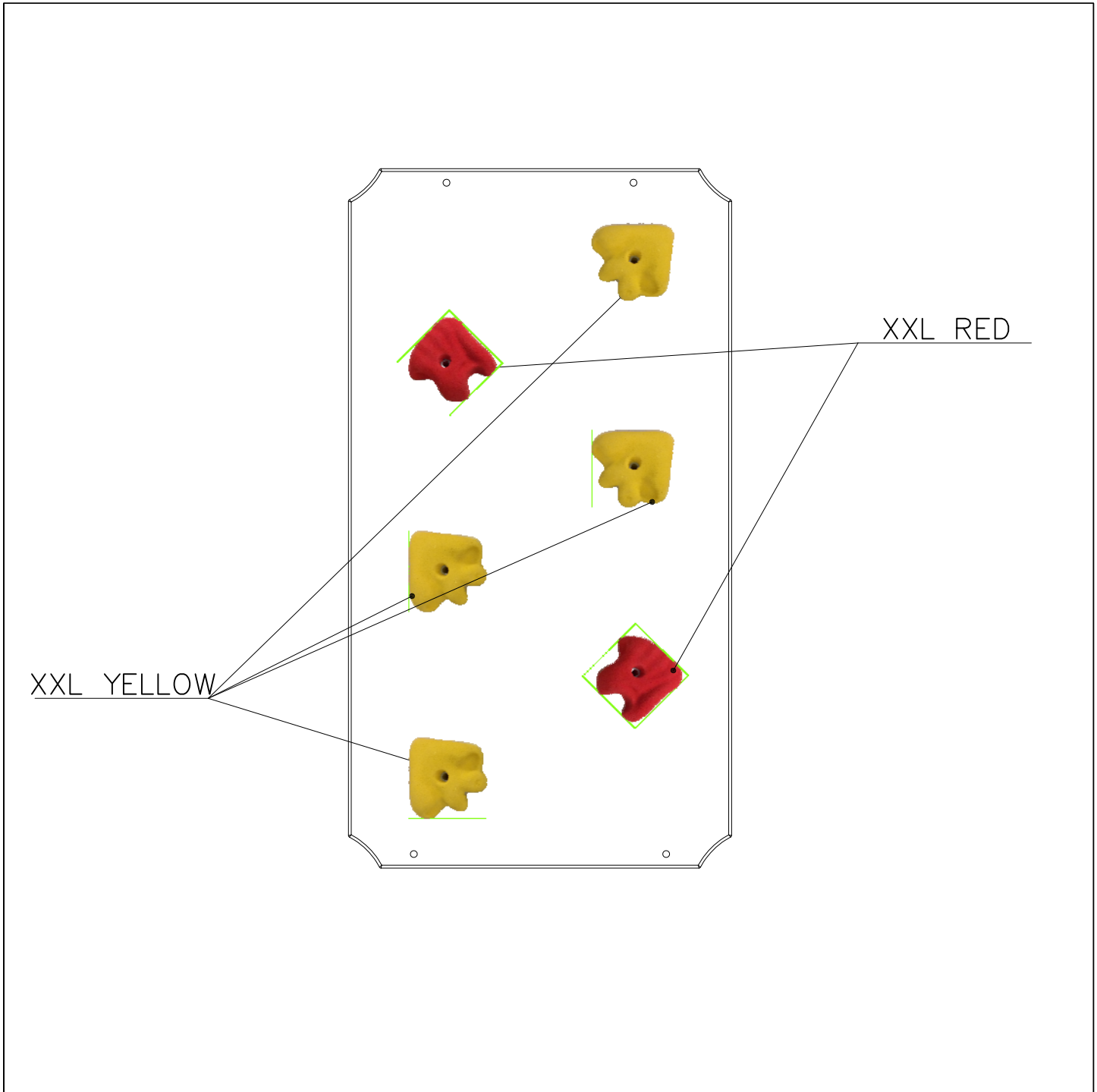
After the parts are reassembled. Finish the assembly by fastening the cover plugs (Ø30).



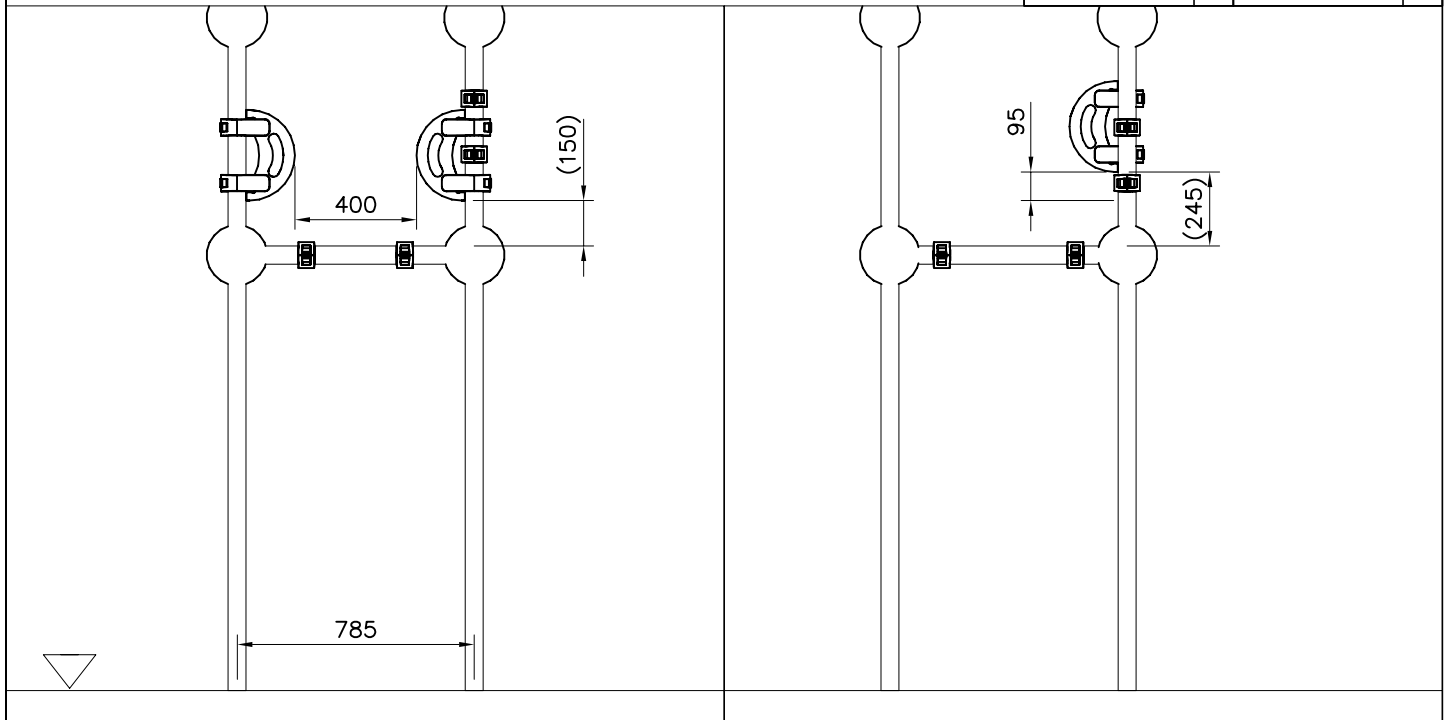
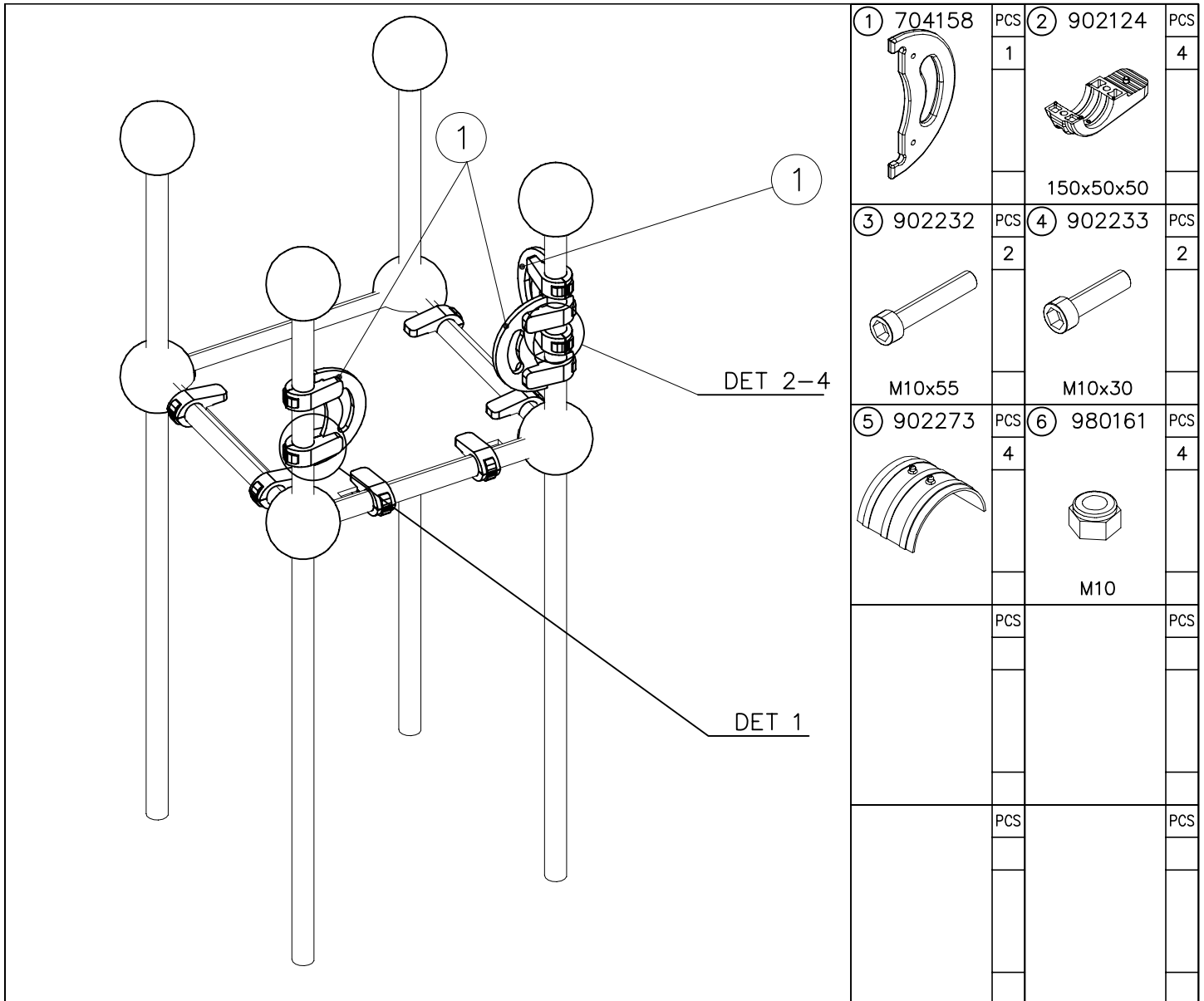
WINAM GROUP CLIMBING WALL

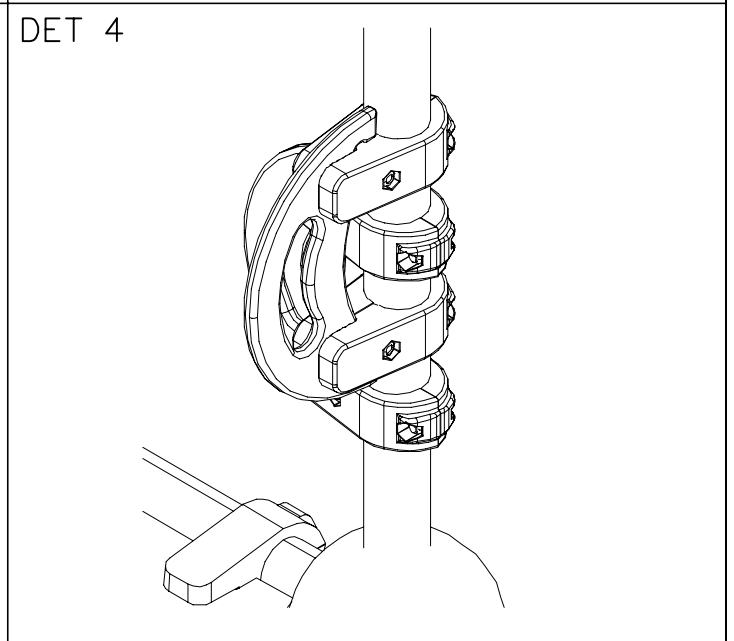
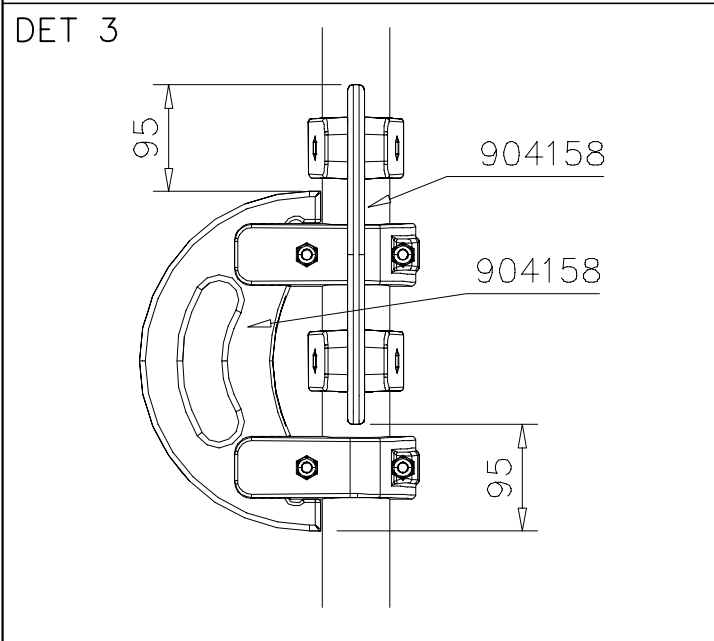
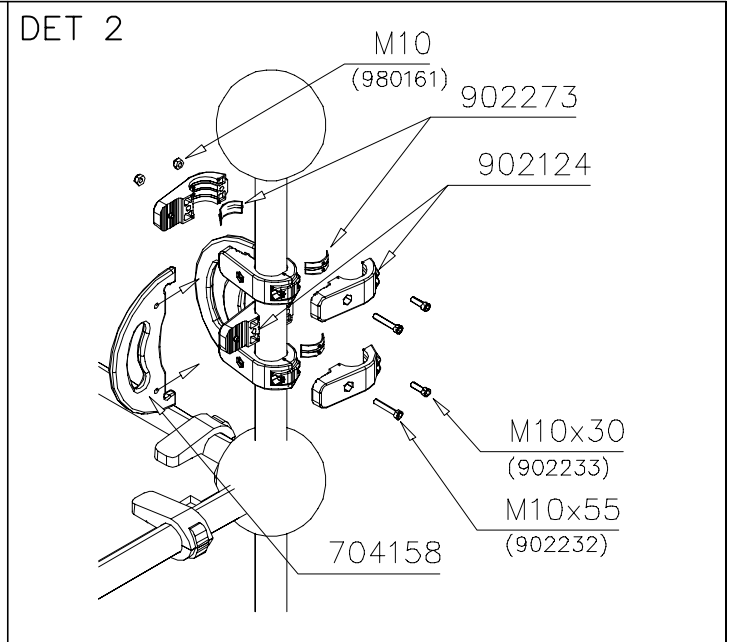
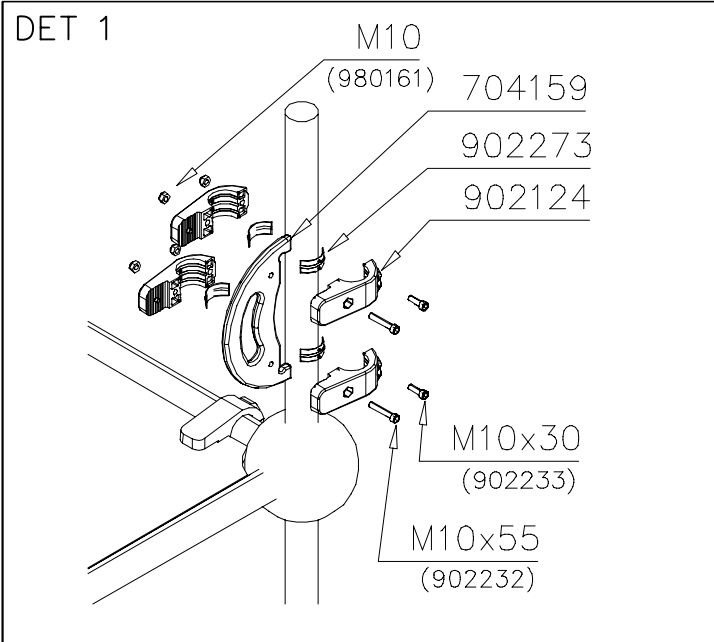
704006

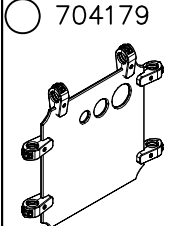
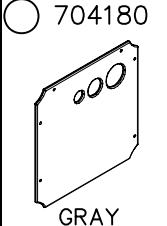
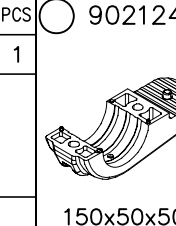
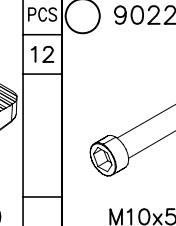
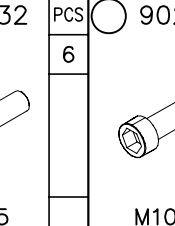
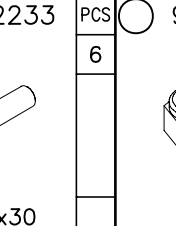
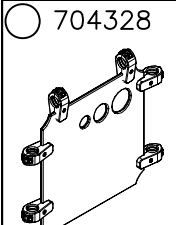
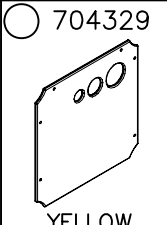
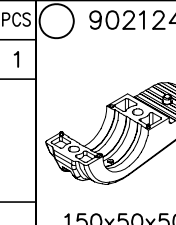
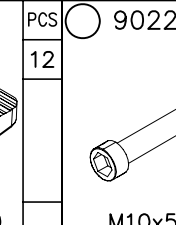
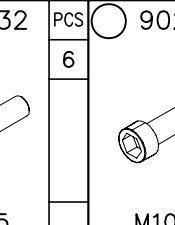
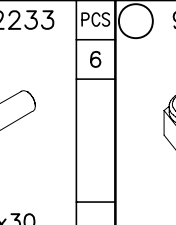
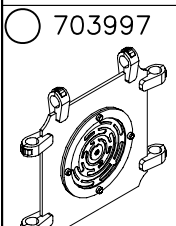
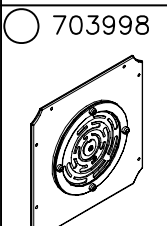
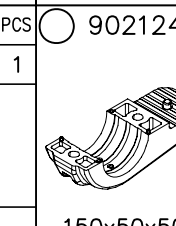
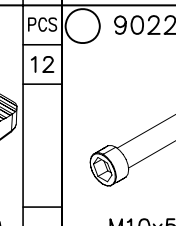
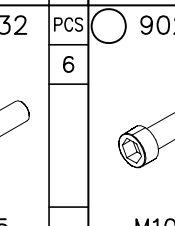
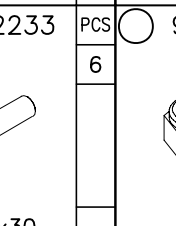
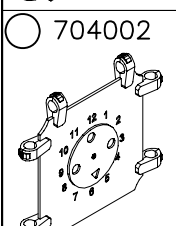
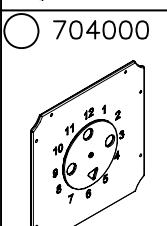
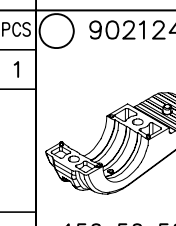
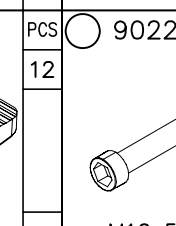
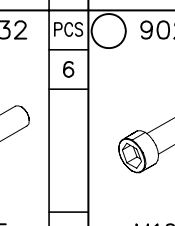
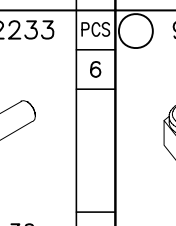
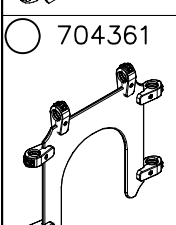
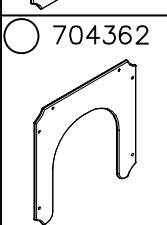
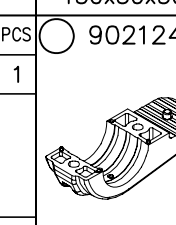
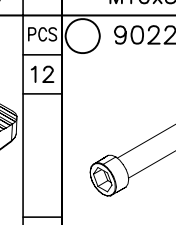
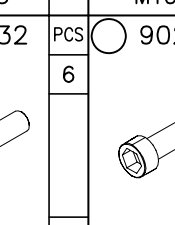
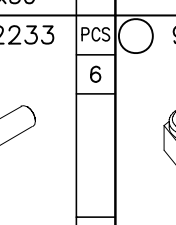
DATE: 8.11.2016

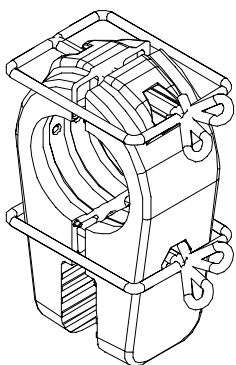
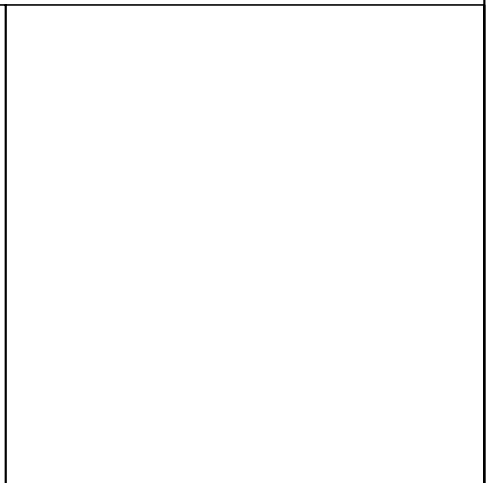
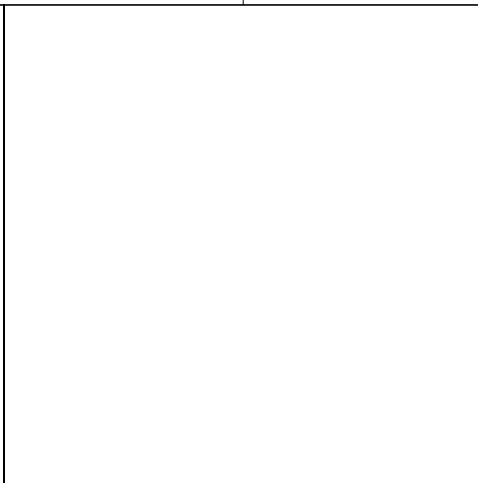
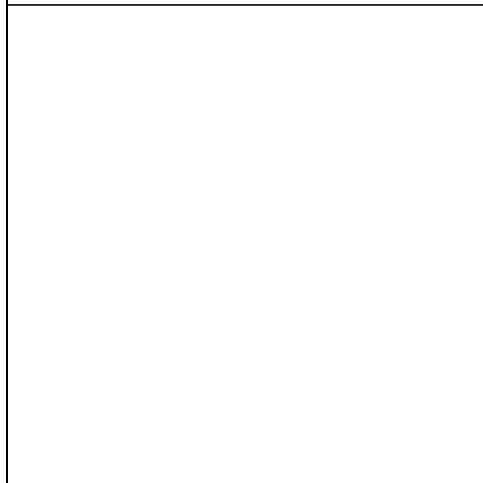
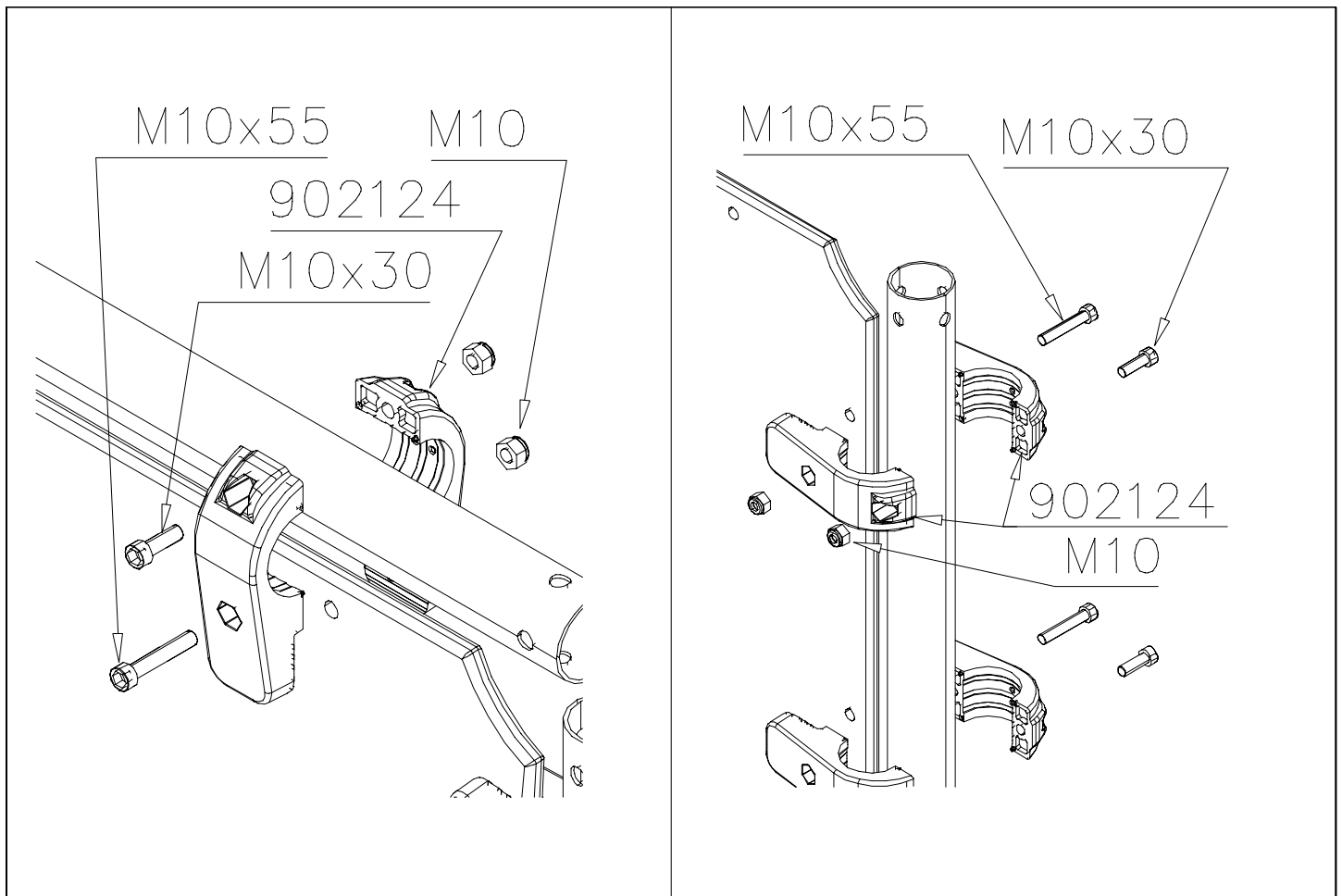


<p>704006</p>	<p>704005</p> <p>D. GREY</p>	<p>1</p>	<p>902124</p> <p>150x50x50</p>	<p>8</p>	<p>902232</p> <p>M10x55</p>	<p>10</p>	<p>902233</p> <p>M10x30</p>	<p>4</p>	<p>980161</p> <p>M10</p>	<p>14</p>	<p>905115</p> <p>Ø32</p>	<p>6</p>
	<p>905090</p> <p>Ø45</p>	<p>6</p>	<p>901302</p> <p>Ø20/10.5</p>	<p>6</p>	<p>904336</p> <p>Ø6x20</p>	<p>6</p>	<p>904301</p> <p>XXL RED</p>	<p>2</p>	<p>904302</p> <p>XXL YELLOW</p>	<p>4</p>		<p>PCS</p>



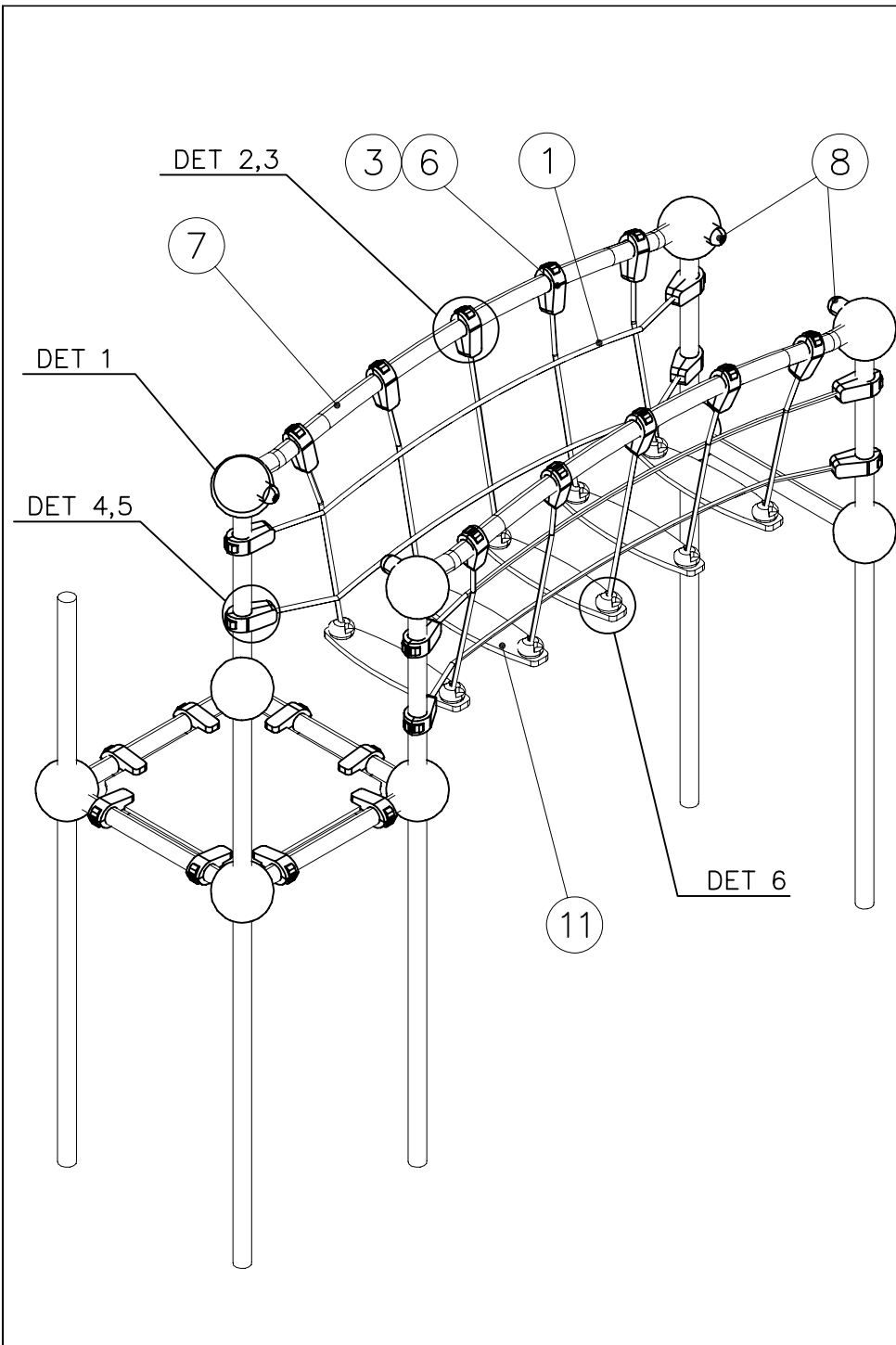


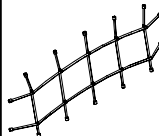
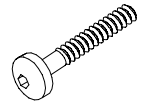
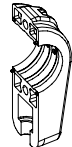
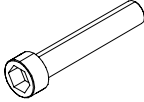
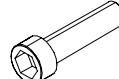
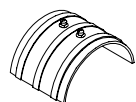
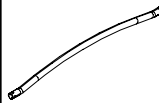
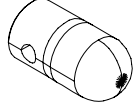
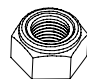
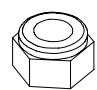
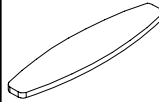
	 GRAY	PCS 1	 150x50x50	PCS 12	 M10x55	PCS 6	 M10x30	PCS 6	 M10	PCS 12		PCS
	 YELLOW	PCS 1	 150x50x50	PCS 12	 M10x55	PCS 6	 M10x30	PCS 6	 M10	PCS 12		PCS
		PCS 1	 150x50x50	PCS 12	 M10x55	PCS 6	 M10x30	PCS 6	 M10	PCS 12		PCS
		PCS 1	 150x50x50	PCS 12	 M10x55	PCS 6	 M10x30	PCS 6	 M10	PCS 12		PCS
	 YELLOW	PCS 1	 150x50x50	PCS 12	 M10x55	PCS 6	 M10x30	PCS 6	 M10	PCS 12		PCS
		PCS		PCS		PCS		PCS		PCS		PCS
		PCS		PCS		PCS		PCS		PCS		PCS
		PCS		PCS		PCS		PCS		PCS		PCS

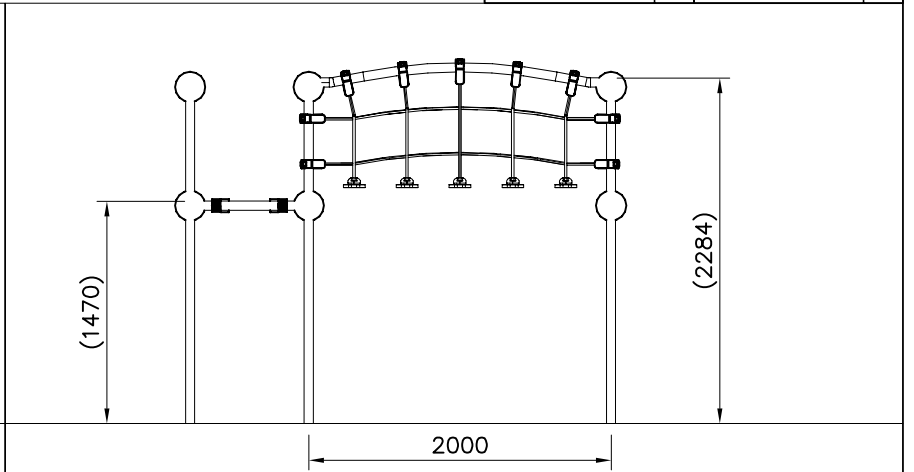
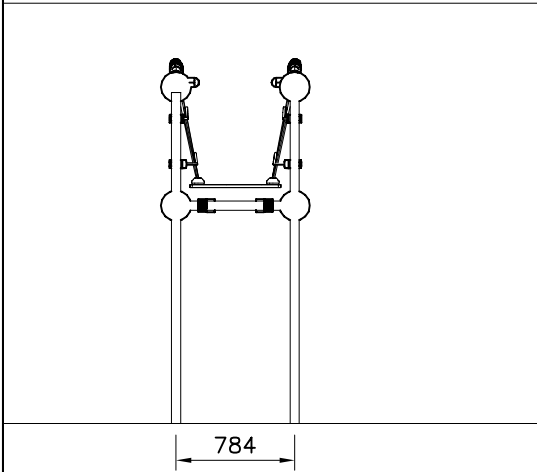


NOTE:
Use a wire marked pairs
of the same junction.

Huom!
Käytä langalla merkittyä
paria samassa liitoksessa.



① 704184	PCS	② 901899	PCS
	2		20
		M8x45	
③ 902195	PCS	④ 902232	PCS
	36		18
150x50x50		M10x55	
⑤ 902233	PCS	⑥ 902273	PCS
	18		36
M10x30			
⑦ 904617	PCS	⑧ 904623	PCS
	2		4
Ø60x2.5		Ø60x115	
⑨ 980150	PCS	⑩ 980161	PCS
	20		36
M8		M10	
⑪ P01915	PCS		PCS
	5		
20x145x600			



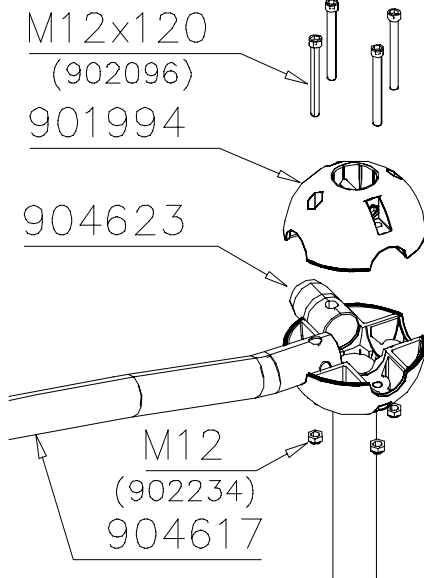
704183

DATE: 21.5.2012

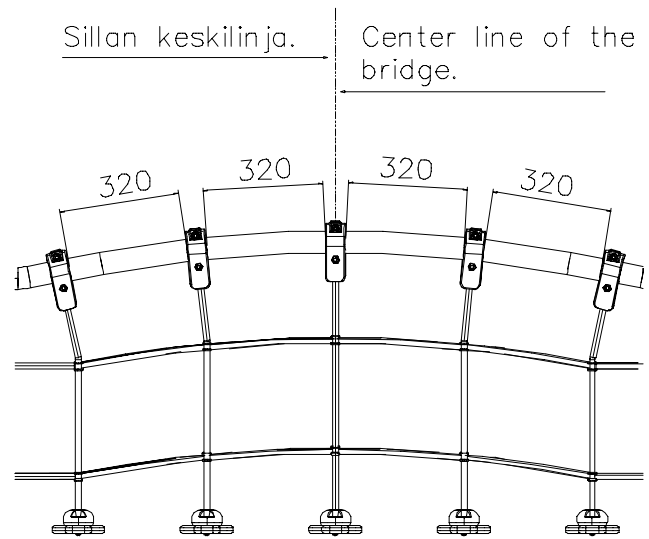


CLOXX

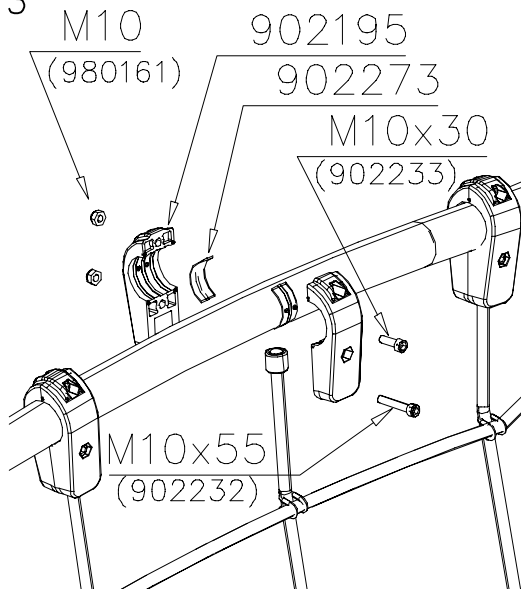
DET 1



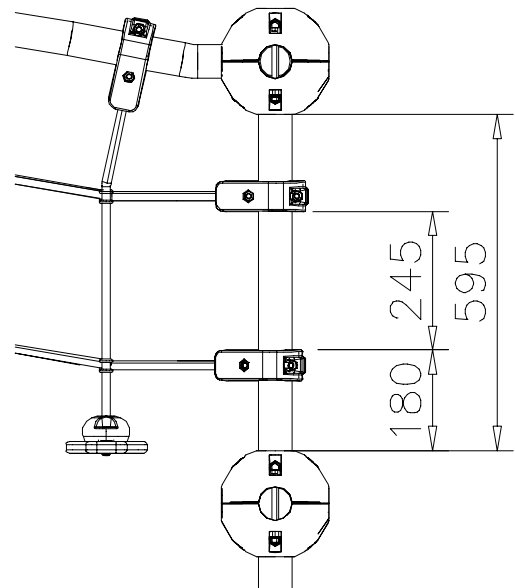
DET 2



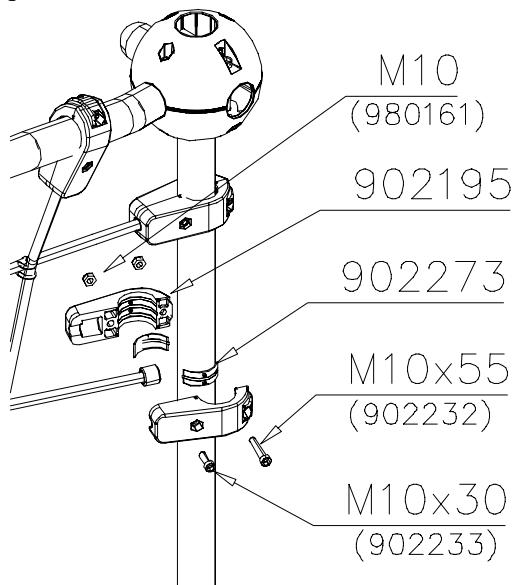
DET 3



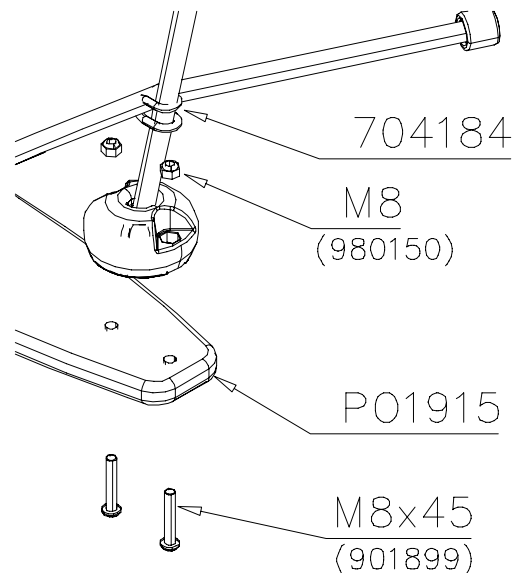
DET 4

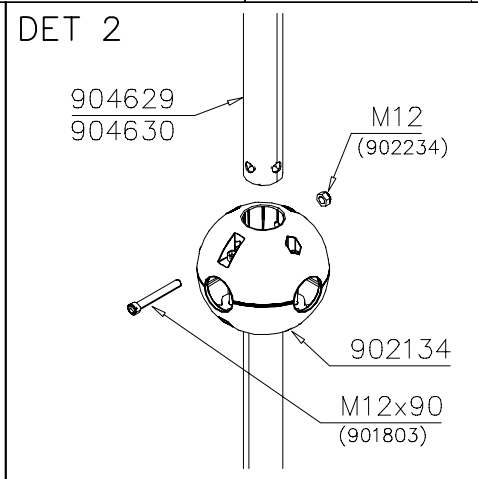
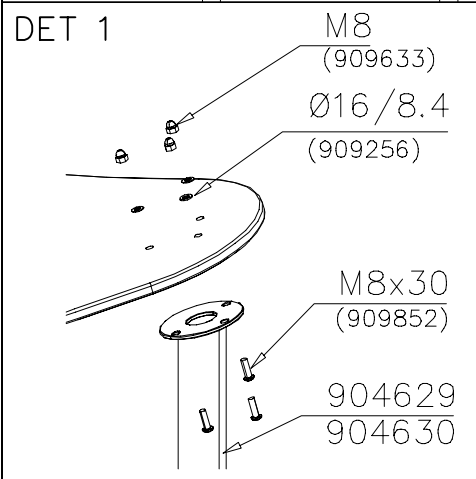
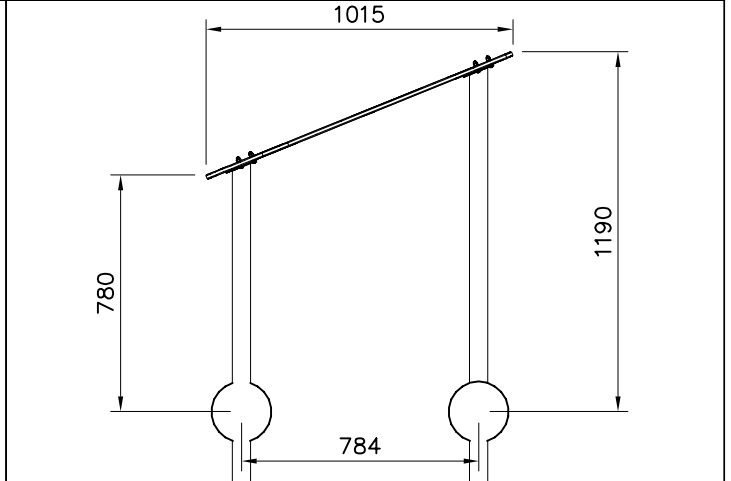
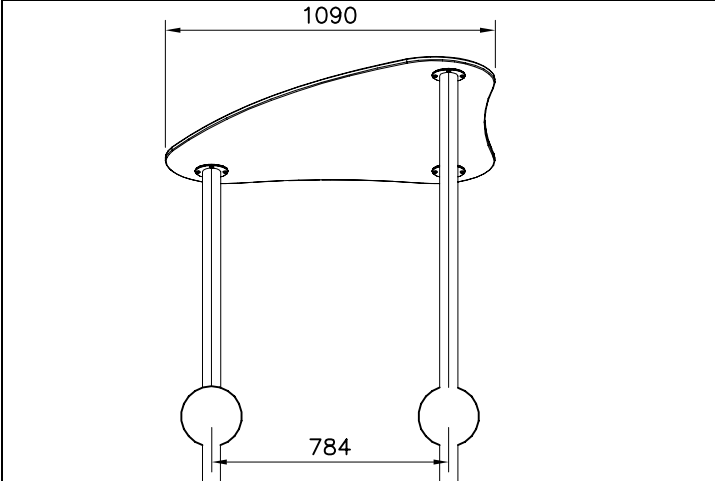
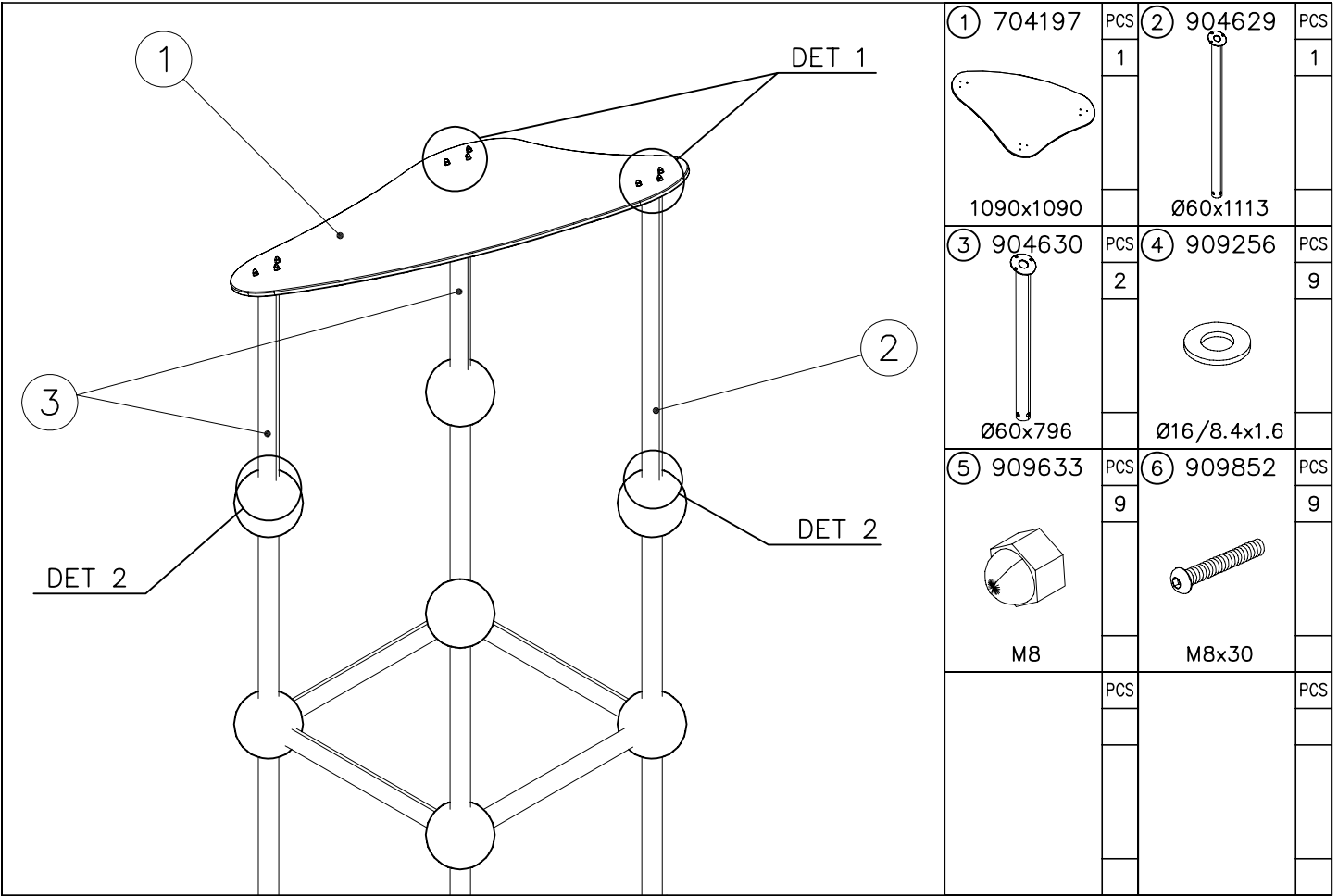


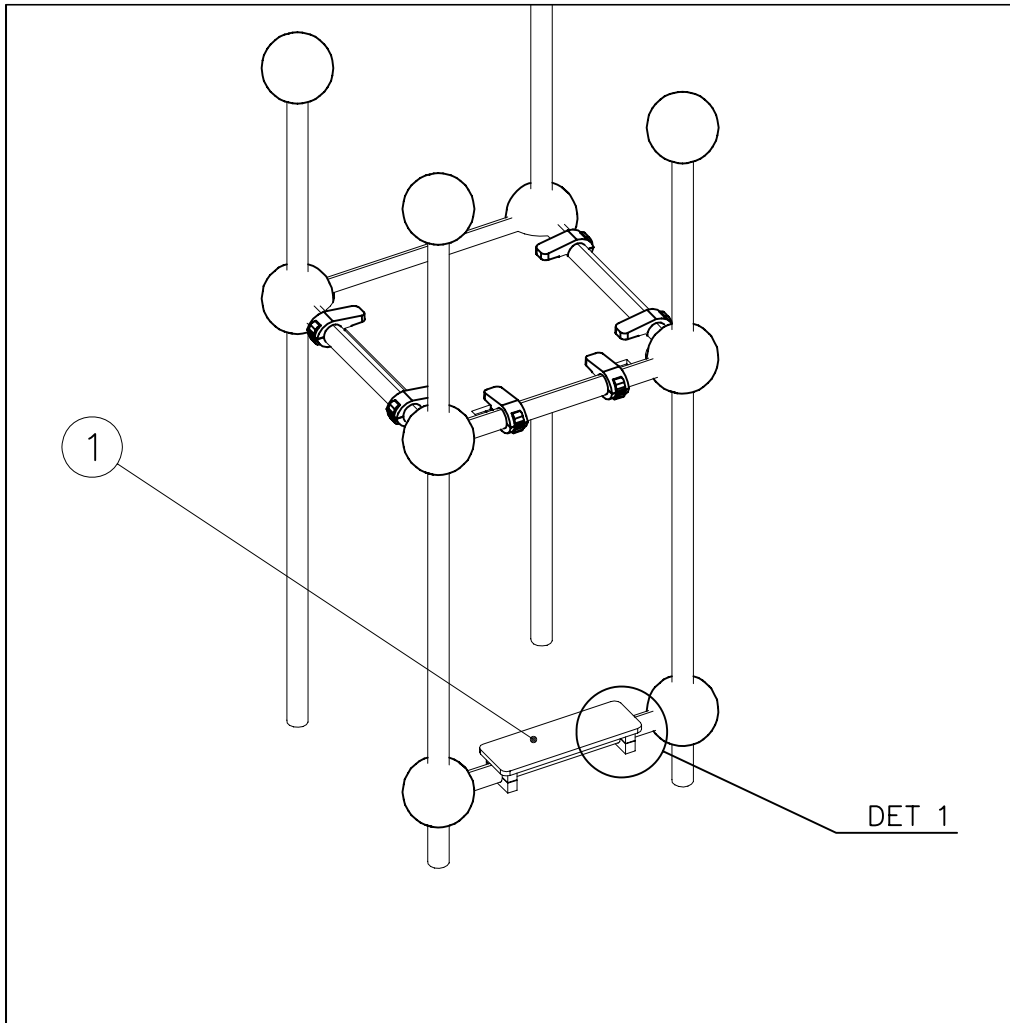
DET 5

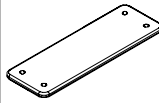
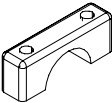
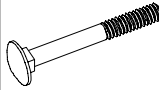
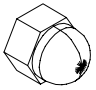
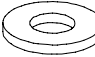


DET 6







① 704333	PCS	② 902454	PCS
	1		4
③ 909111	PCS	④ 909644	PCS
	4		4
M12x100		M12	
⑤ 980154	PCS		PCS
	4		
Ø24/13			
	PCS		PCS
	PCS		PCS

