

# WINAM GROUP

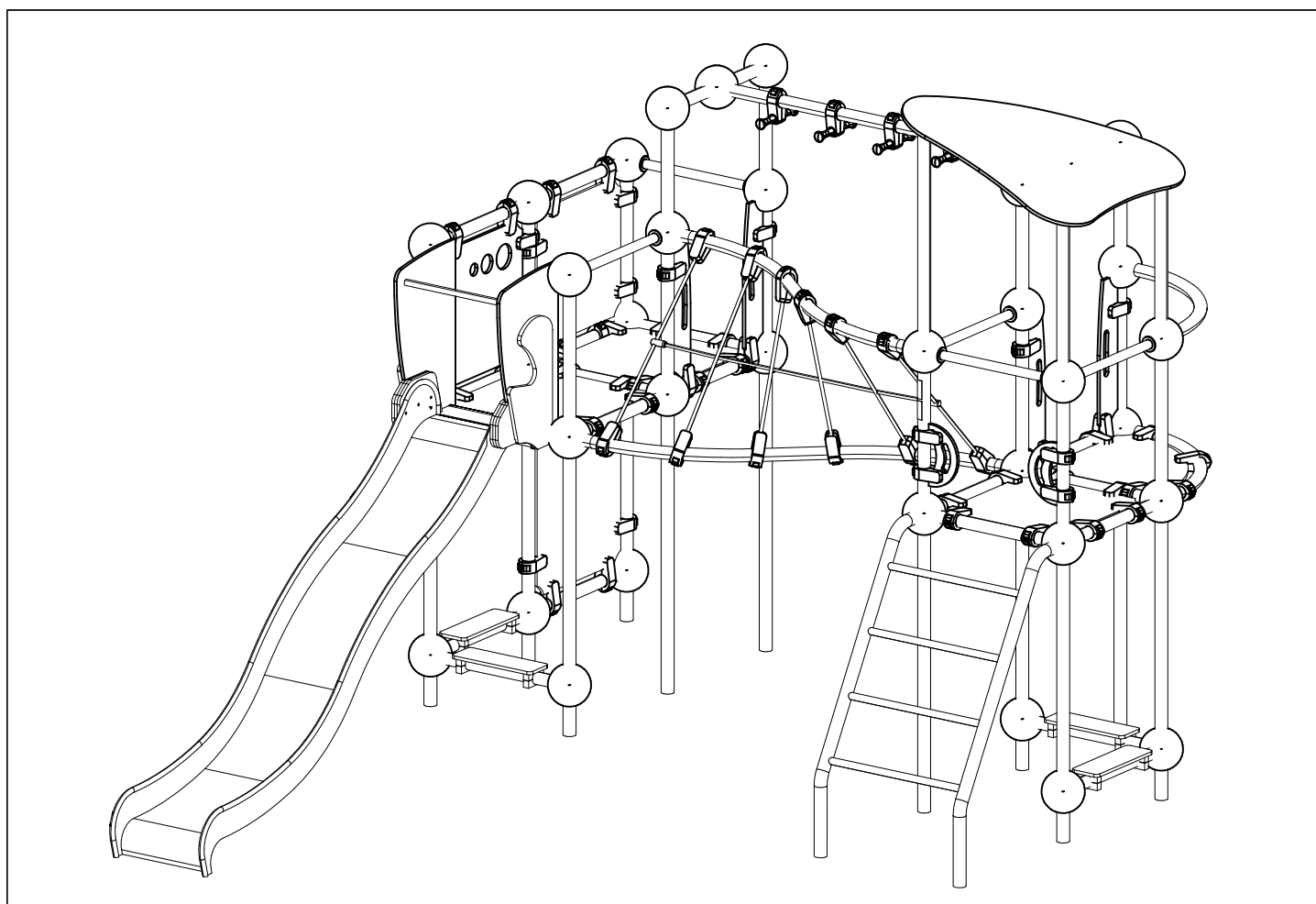
## CLOXX




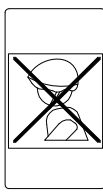
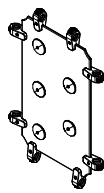

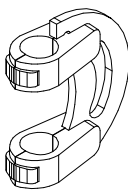
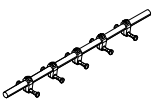
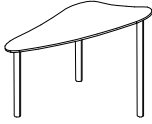
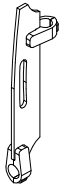
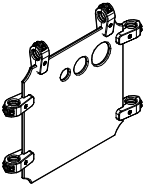
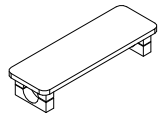
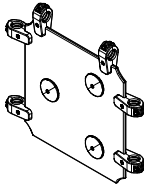
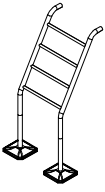
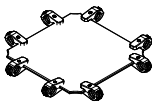
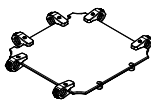
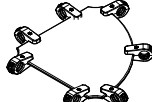
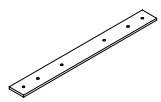

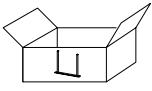
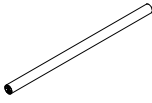

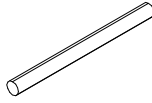
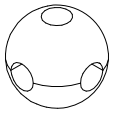
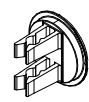
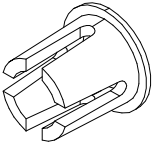



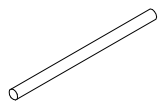

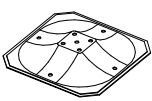
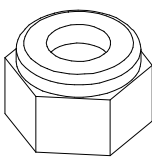
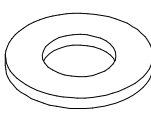
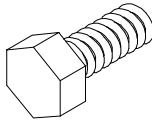
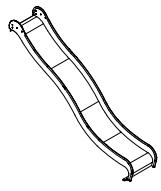
ASENNUSOHJE  
MONTERINGSANSVISNING  
INSTALLATION INSTRUCTION  
AUFBAUANLEITUNG  
NOTICE D'INSTALLATION

DATE: 28.2.2019

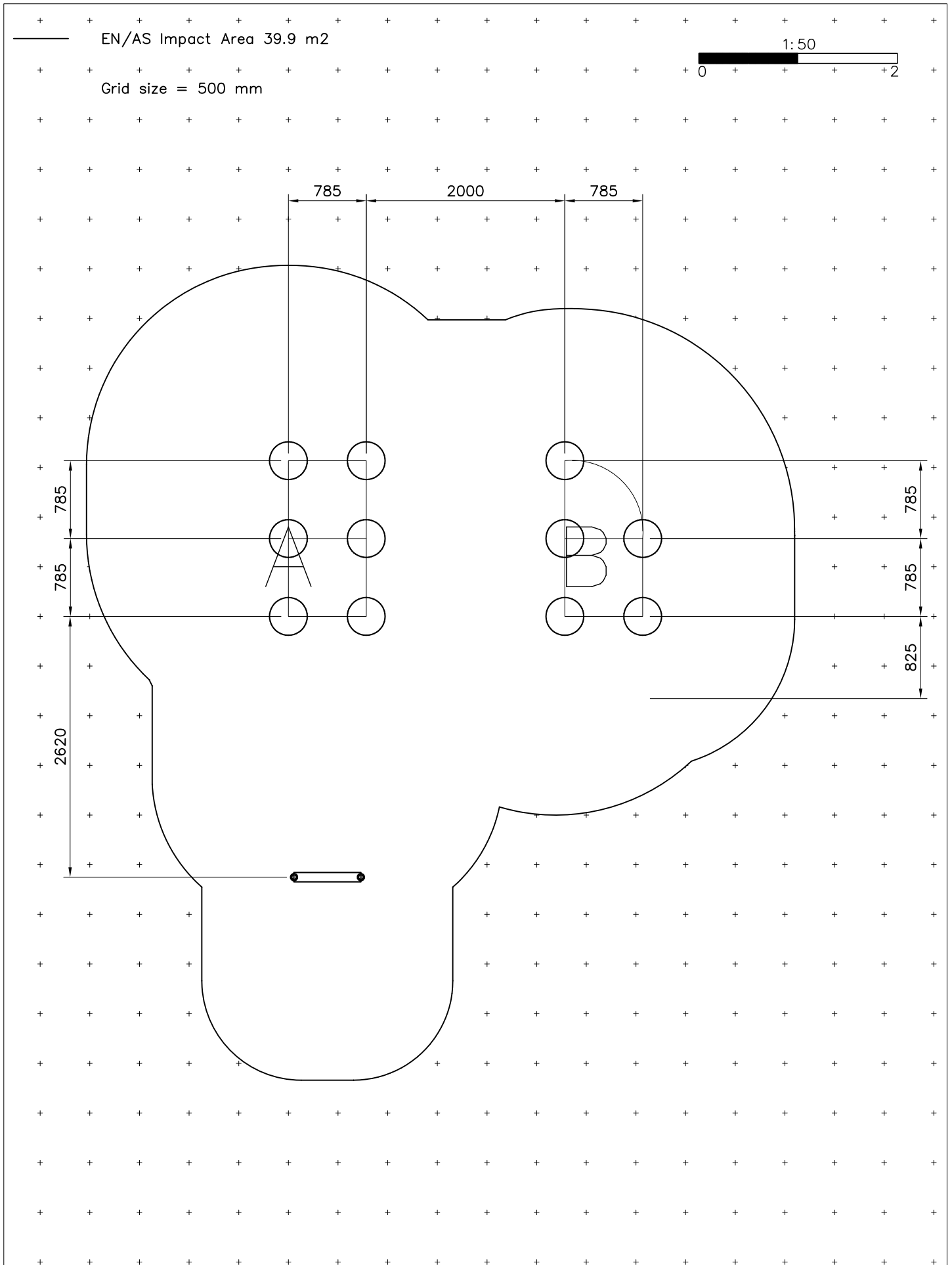
## 220338

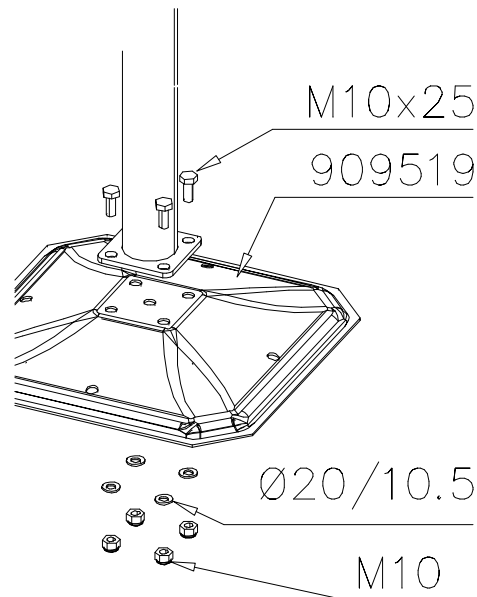
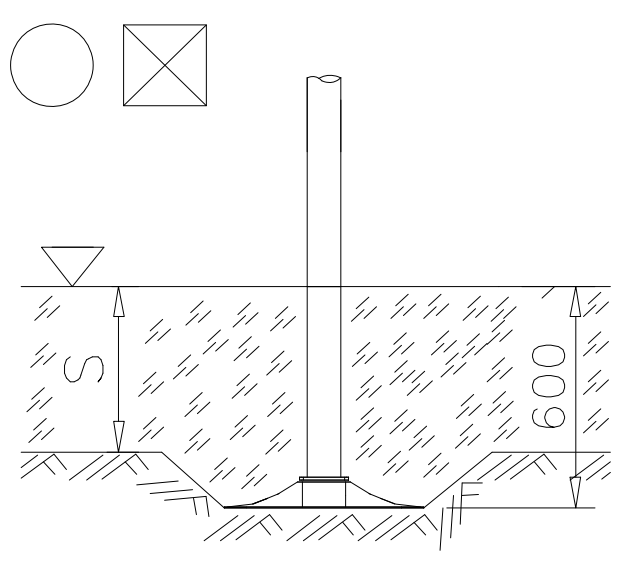


DATE: 28.2.2019

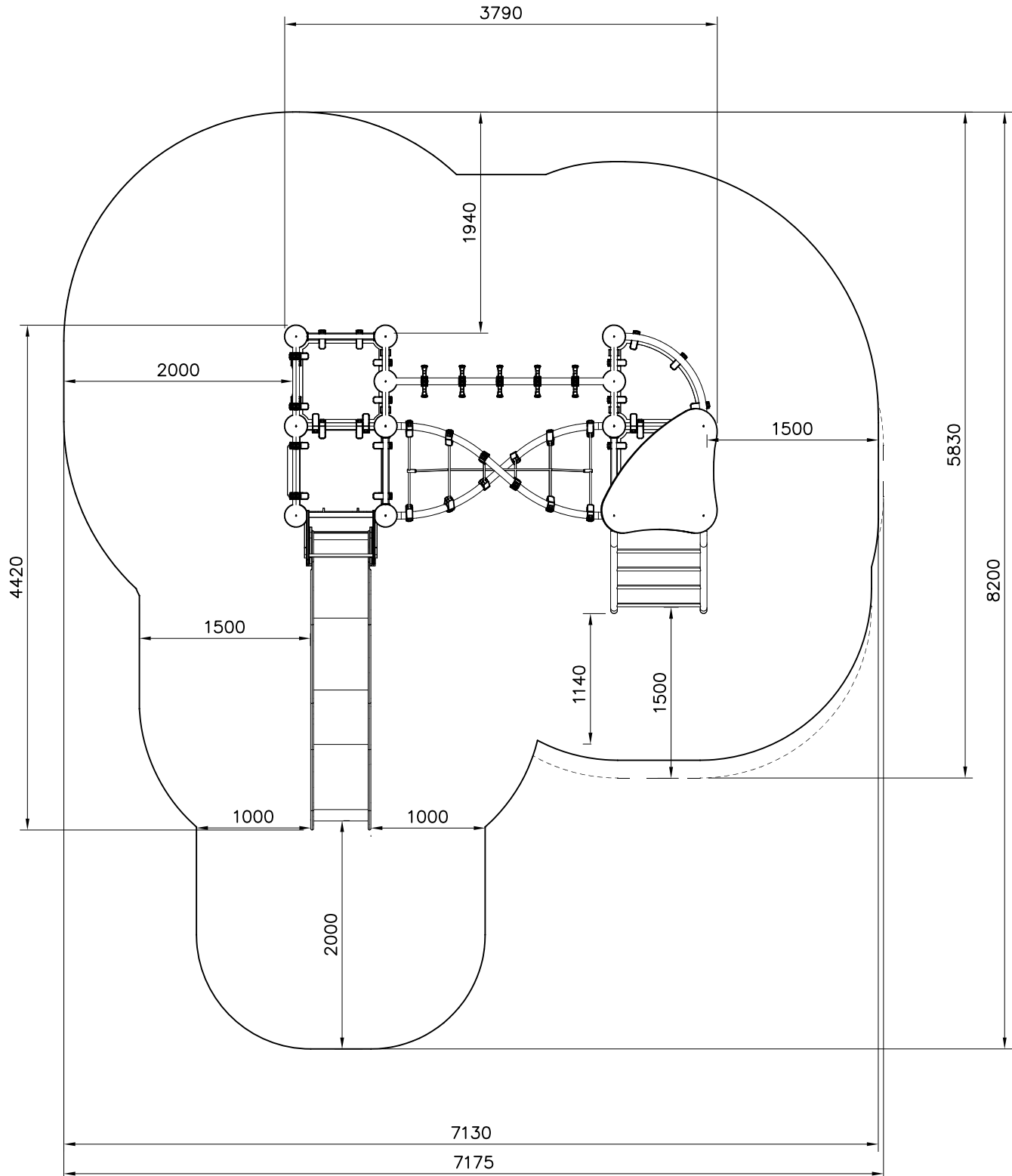
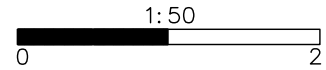
<p>702341</p>  <p>90x50</p>	<p>PCS</p> <p>1</p>	<p>702633</p>  <p>90x50</p>	<p>PCS</p> <p>1</p>	<p>703992</p> 	<p>PCS</p> <p>1</p>	<p>704063</p> 	<p>PCS</p> <p>1</p>	<p>704159</p> 	<p>PCS</p> <p>2</p>	<p>704168</p>  <p>L 1926</p>	<p>PCS</p> <p>1</p>
<p>704199</p> 	<p>PCS</p> <p>1</p>	<p>704219</p> 	<p>PCS</p> <p>4</p>	<p>704328</p> 	<p>PCS</p> <p>1</p>	<p>704332</p> 	<p>PCS</p> <p>4</p>	<p>704342</p> 	<p>PCS</p> <p>1</p>	<p>704438</p> 	<p>PCS</p> <p>1</p>
<p>704443</p> 	<p>PCS</p> <p>2</p>	<p>704447</p> 	<p>PCS</p> <p>1</p>	<p>704694</p> 	<p>PCS</p> <p>1</p>	<p>707133</p>  <p>10x80x745</p>	<p>PCS</p> <p>1</p>	<p>708858</p> 	<p>PCS</p> <p>1</p>	<p>709045</p> 	<p>PCS</p> <p>1</p>
<p>901868</p>  <p>Ø34x598</p>	<p>PCS</p> <p>2</p>	<p>901941</p> 	<p>PCS</p> <p>2</p>	<p>902022</p>  <p>L 710</p>	<p>PCS</p> <p>18</p>	<p>902134</p> 	<p>PCS</p> <p>35</p>	<p>902157</p>  <p>60x60x2</p>	<p>PCS</p> <p>84</p>	<p>904100</p>  <p>Ø60/40</p>	<p>PCS</p> <p>10</p>
<p>904455</p>  <p>L 2737</p>	<p>PCS</p> <p>7</p>	<p>904456</p>  <p>L 2737</p>	<p>PCS</p> <p>4</p>	<p>904524</p>  <p>L 526</p>	<p>PCS</p> <p>4</p>	<p>904819</p>  <p>Ø44.5x710</p>	<p>PCS</p> <p>5</p>	<p>904834</p>  <p>L 710</p>	<p>PCS</p> <p>2</p>	<p>909519</p>  <p>380x380</p>	<p>PCS</p> <p>11</p>
<p>909637</p>  <p>M10</p>	<p>PCS</p> <p>44</p>	<p>909638</p>  <p>Ø20/10.5</p>	<p>PCS</p> <p>88</p>	<p>909639</p>  <p>M10x25</p>	<p>PCS</p> <p>44</p>	<p>909709</p>  <p>+1470</p>	<p>PCS</p> <p>1</p>		<p>PCS</p>		<p>PCS</p>
	<p>PCS</p>		<p>PCS</p>		<p>PCS</p>		<p>PCS</p>		<p>PCS</p>		<p>PCS</p>

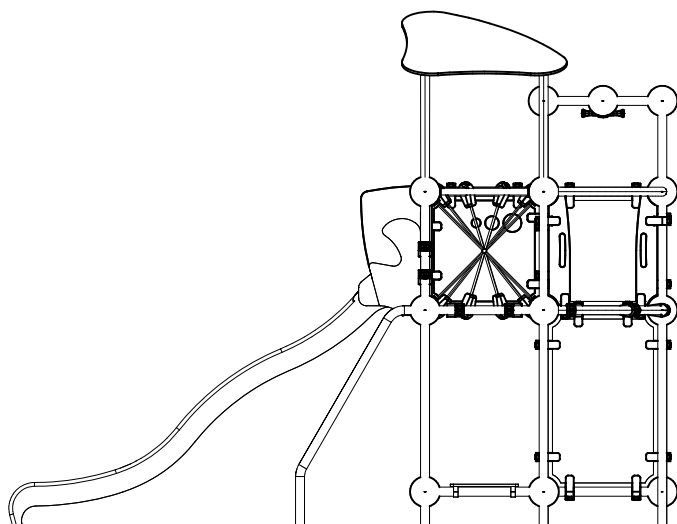
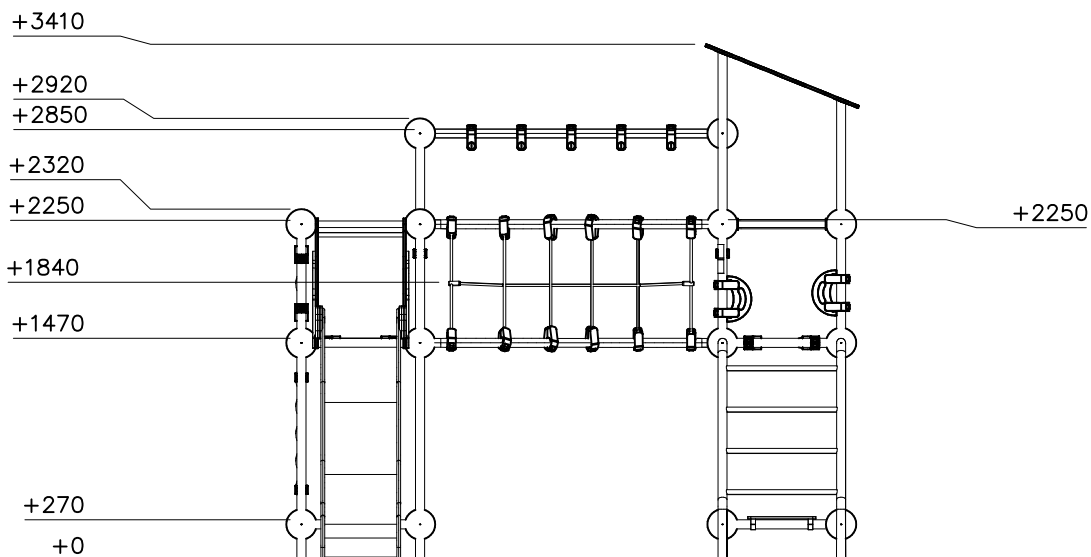


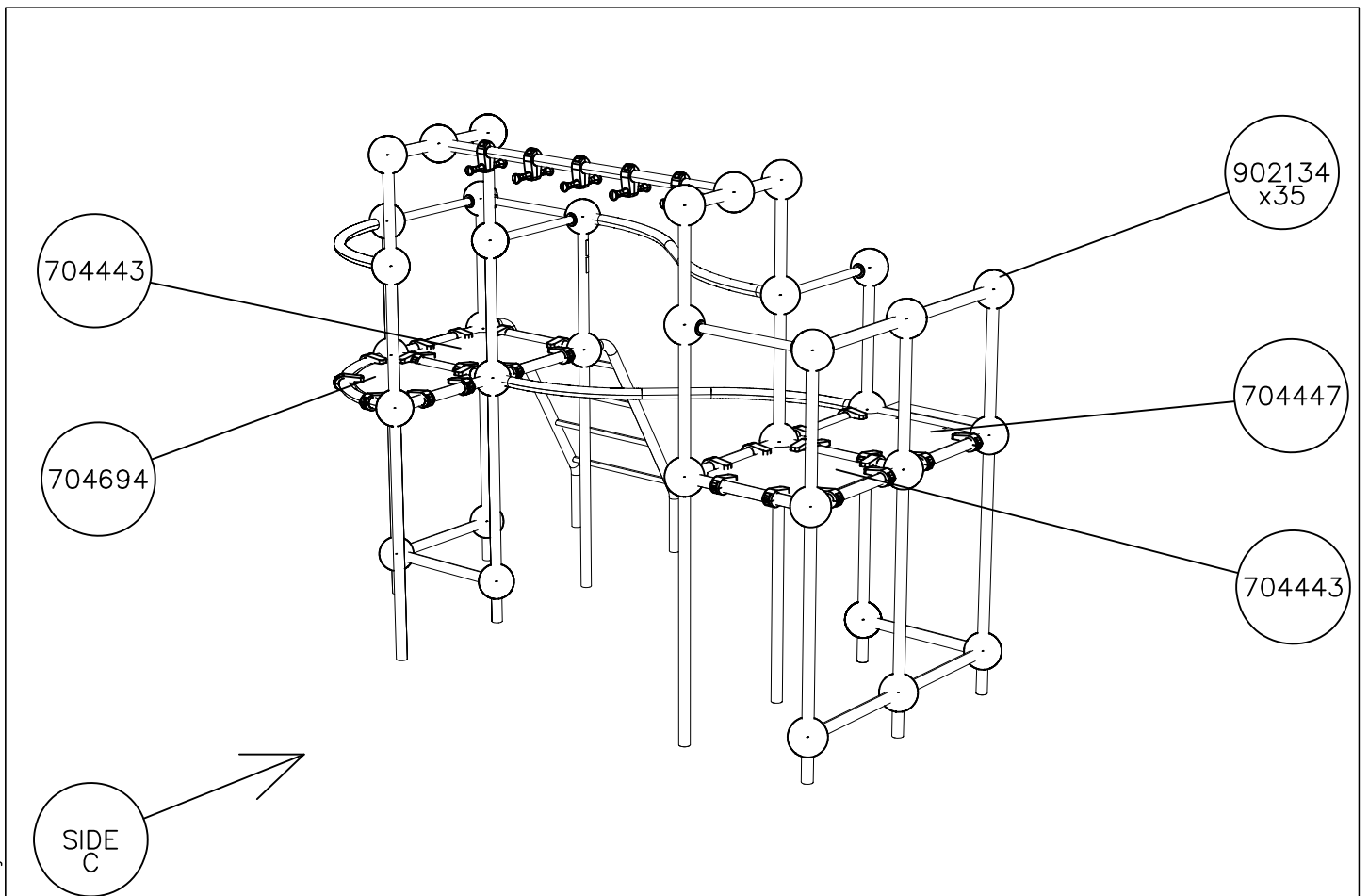
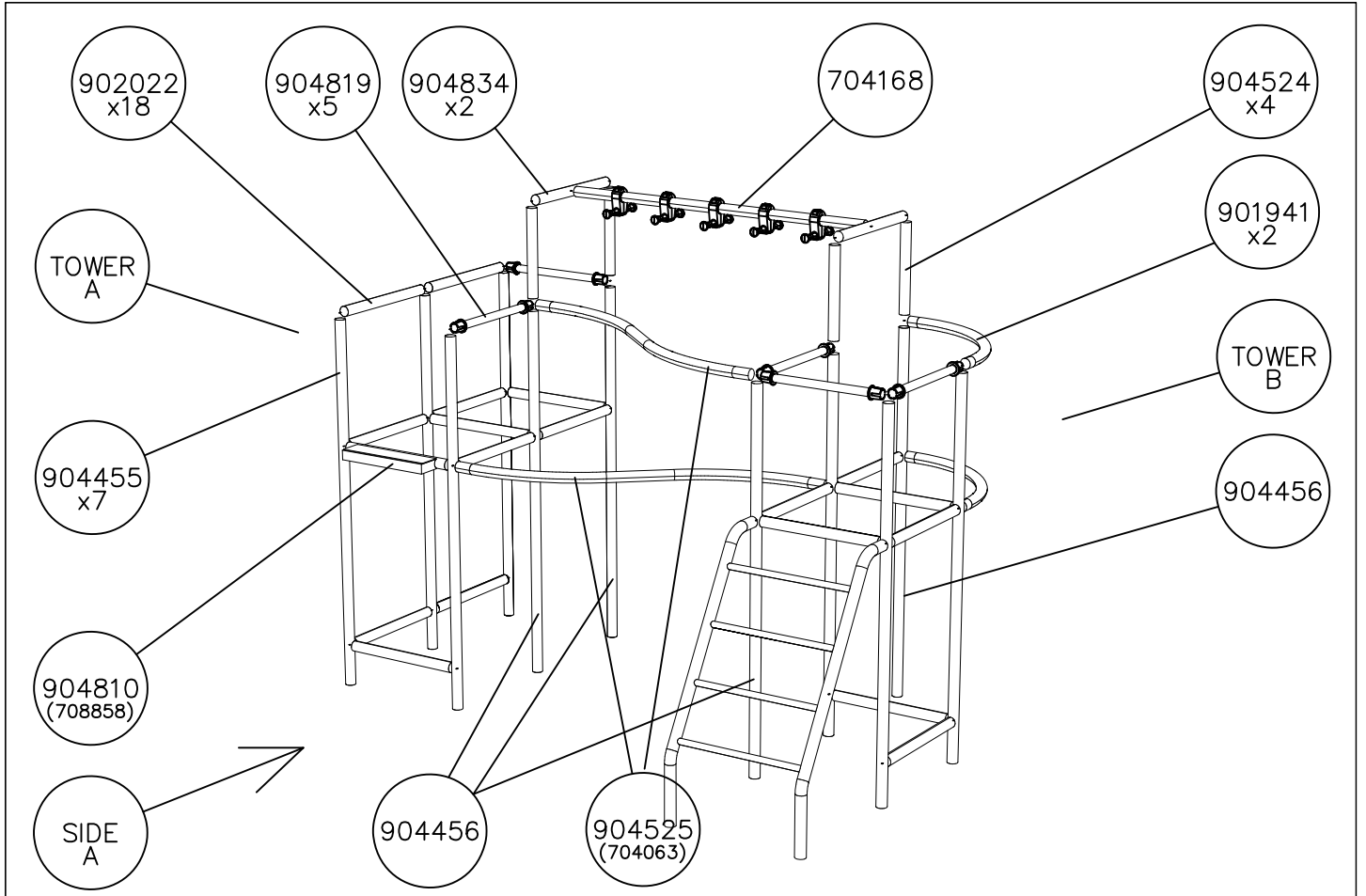


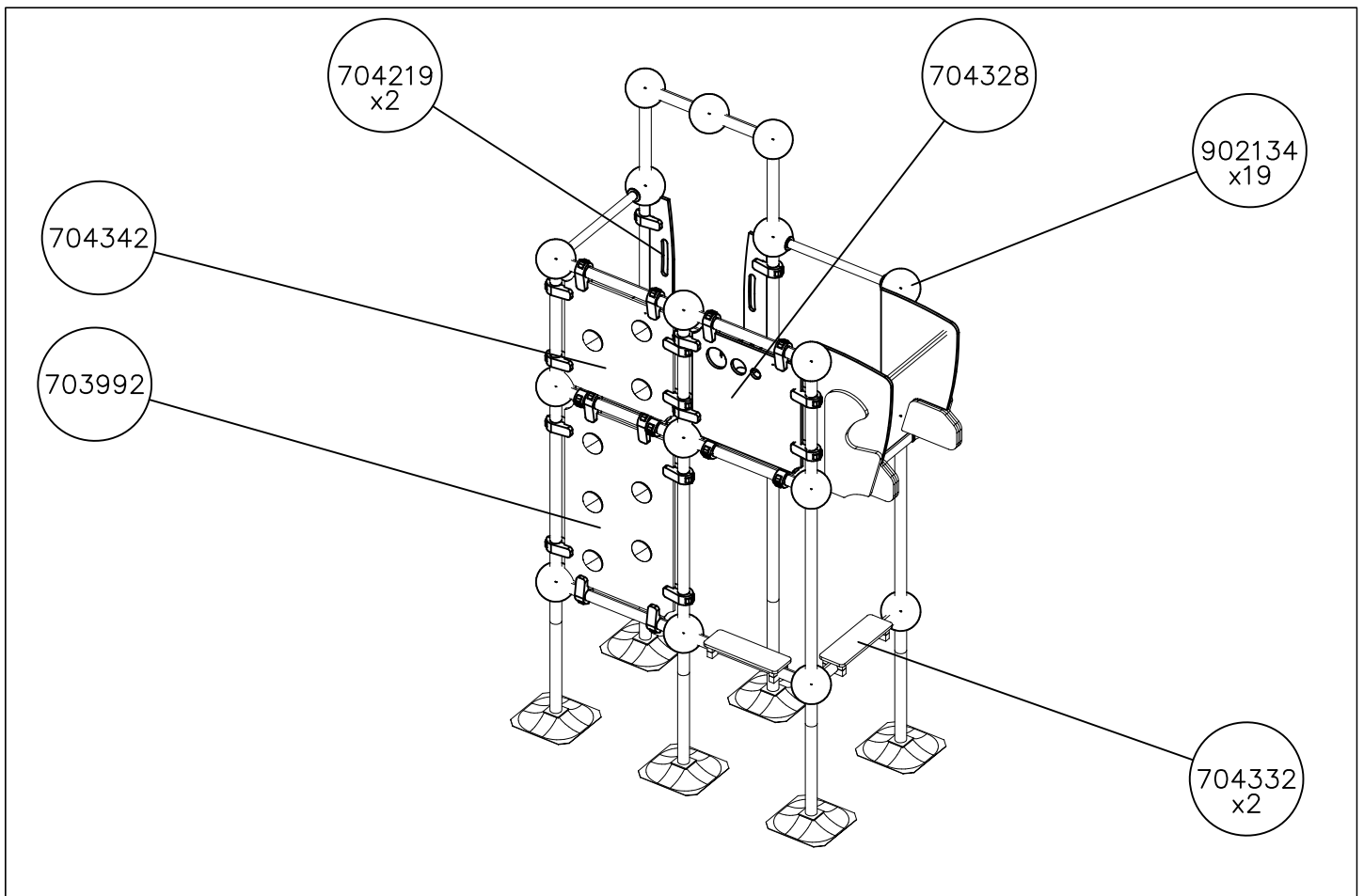
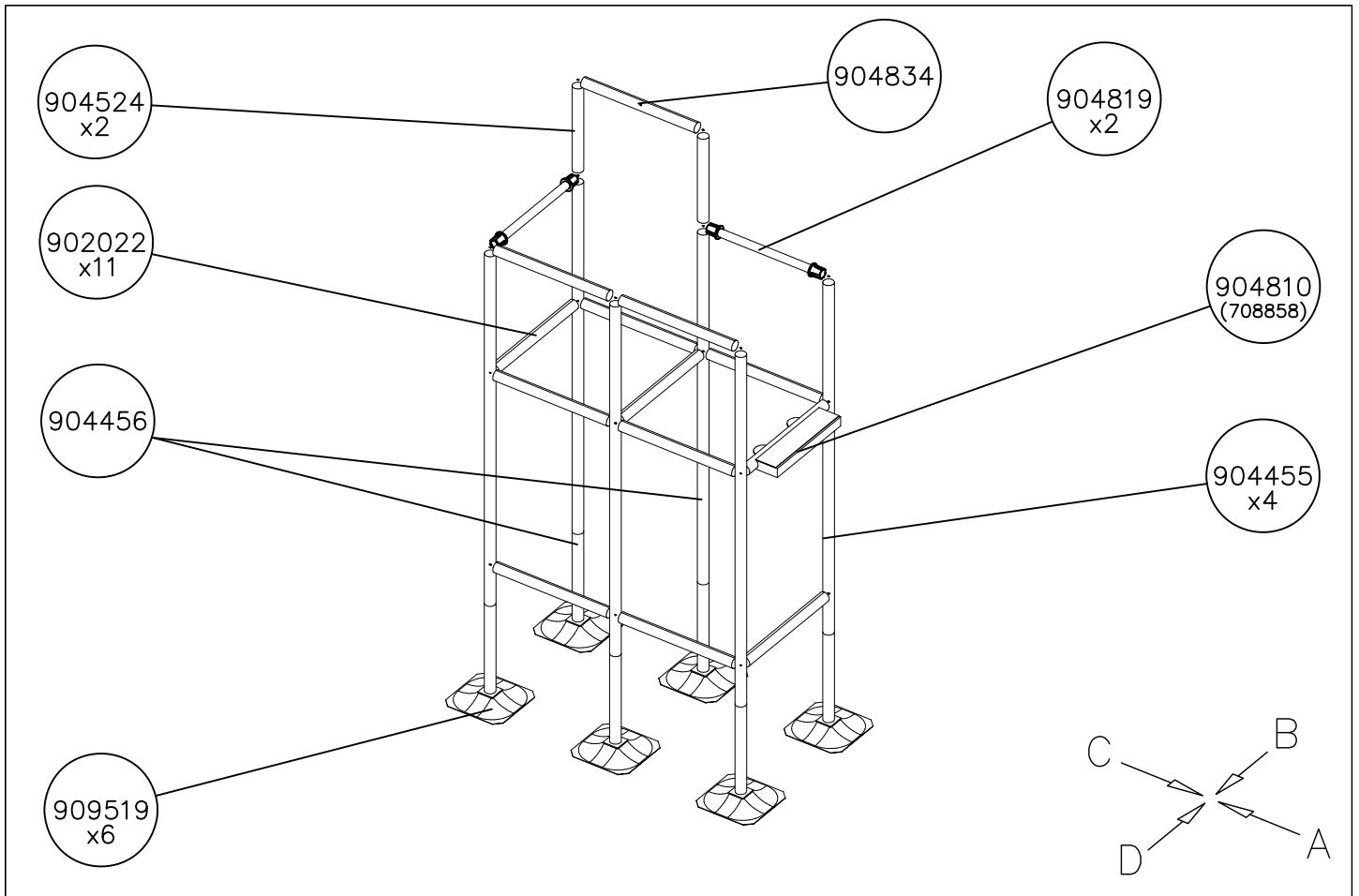
 <p>M10x25 909519</p> <p>Ø20/10.5 M10</p>	 <p>600</p>

— EN/AS Impact Area 39.9 m<sup>2</sup>  
- - - Falling Space 41.4 m<sup>2</sup>  
Max Falling Height 2250 mm



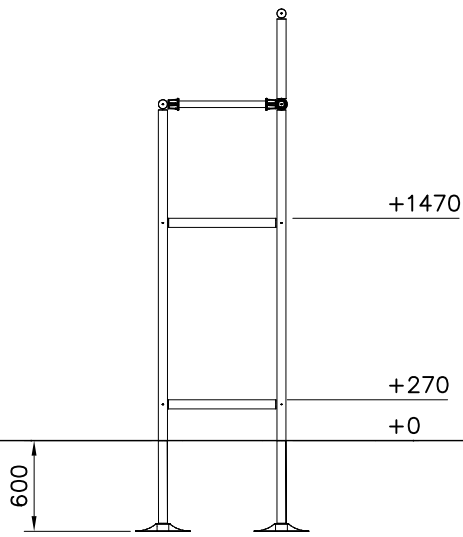




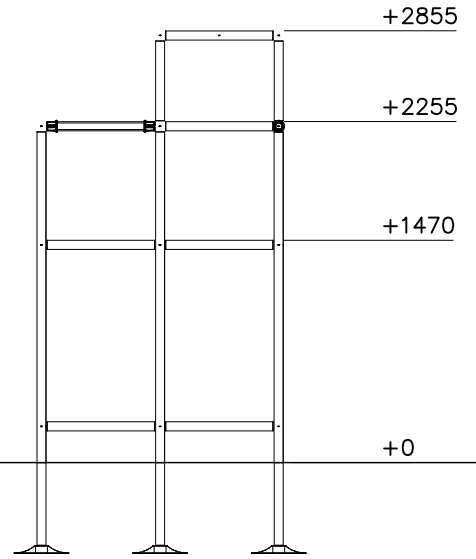


1: 50

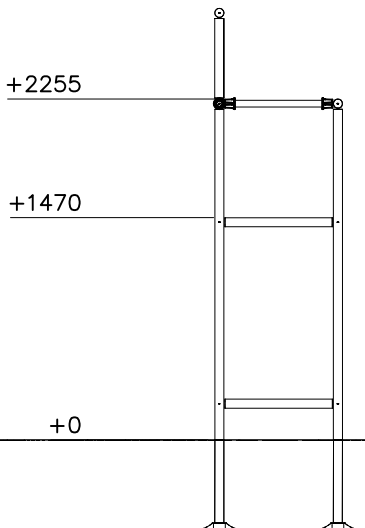
(A)



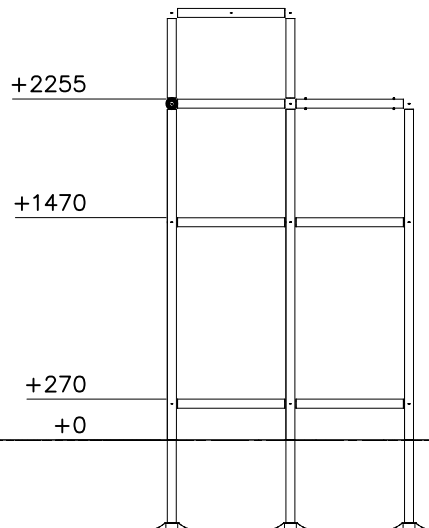
(B)

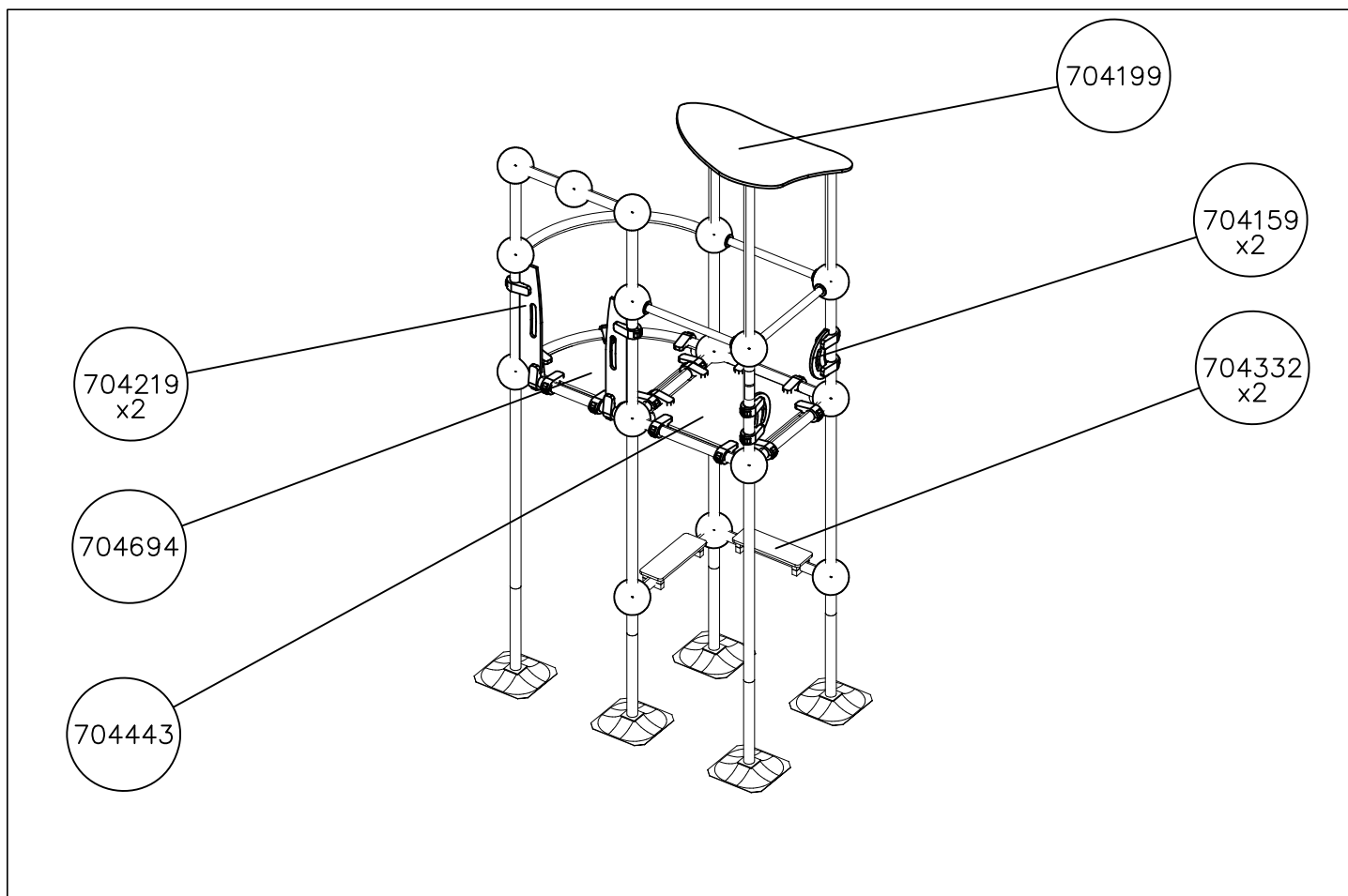
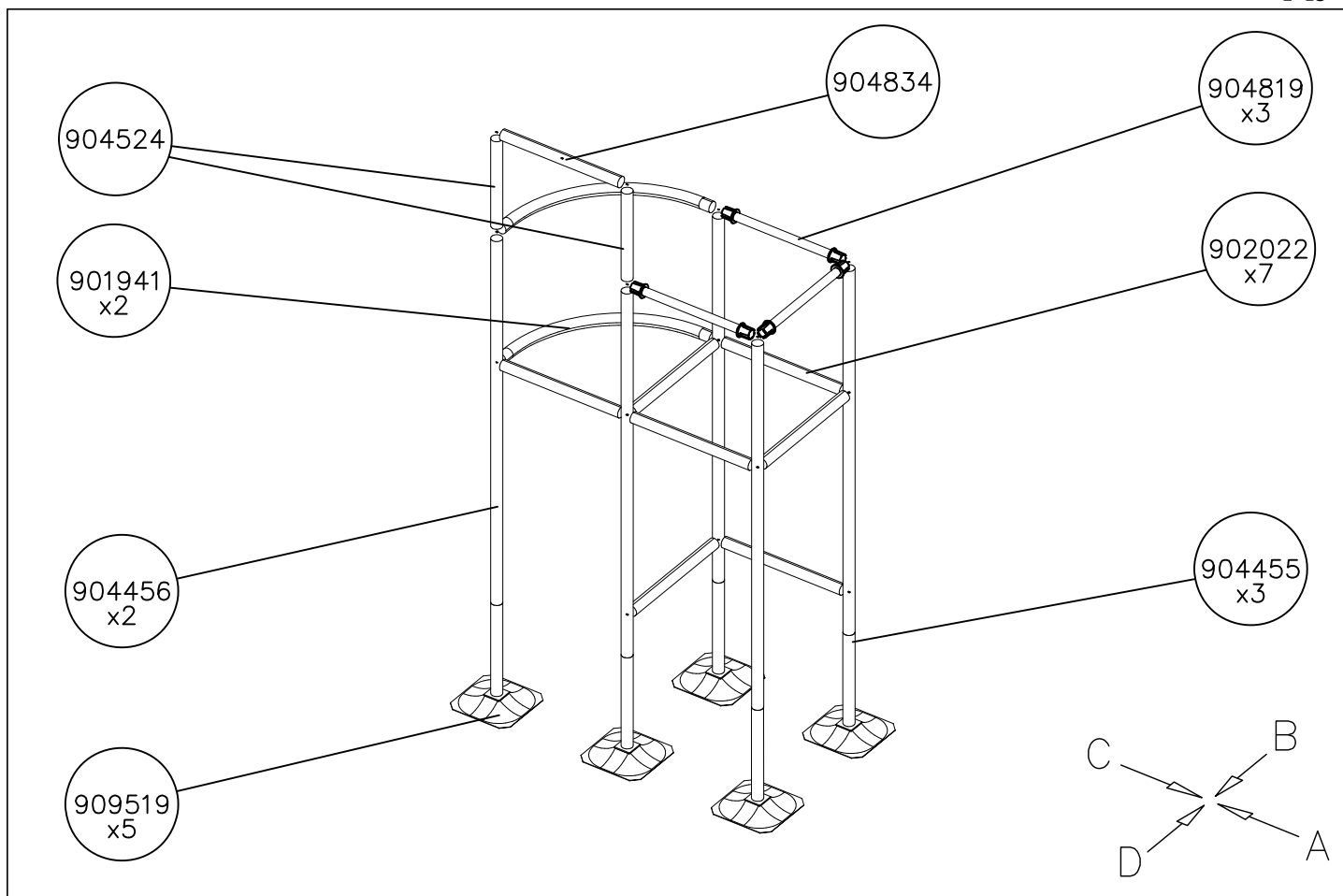


(C)

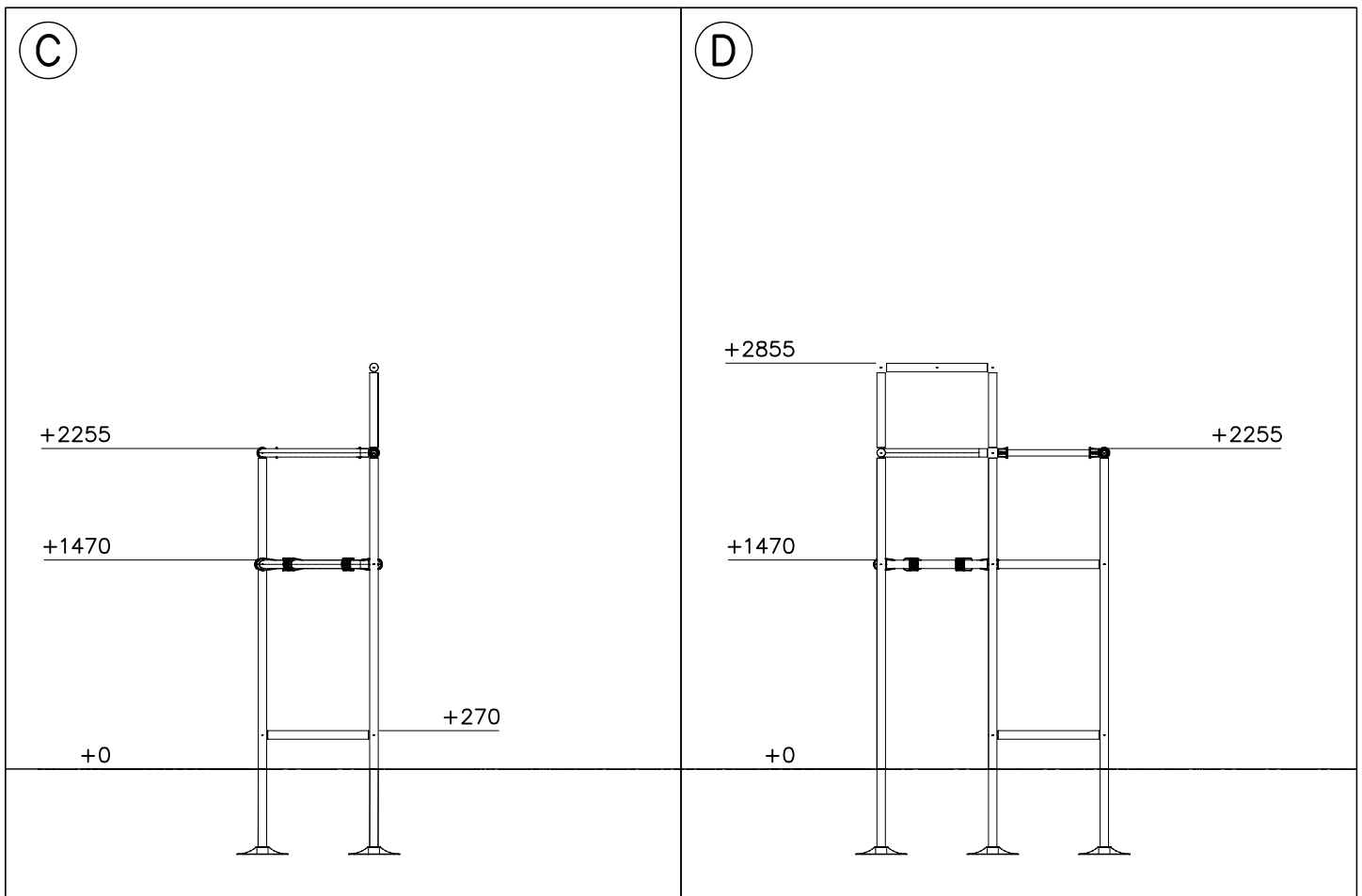
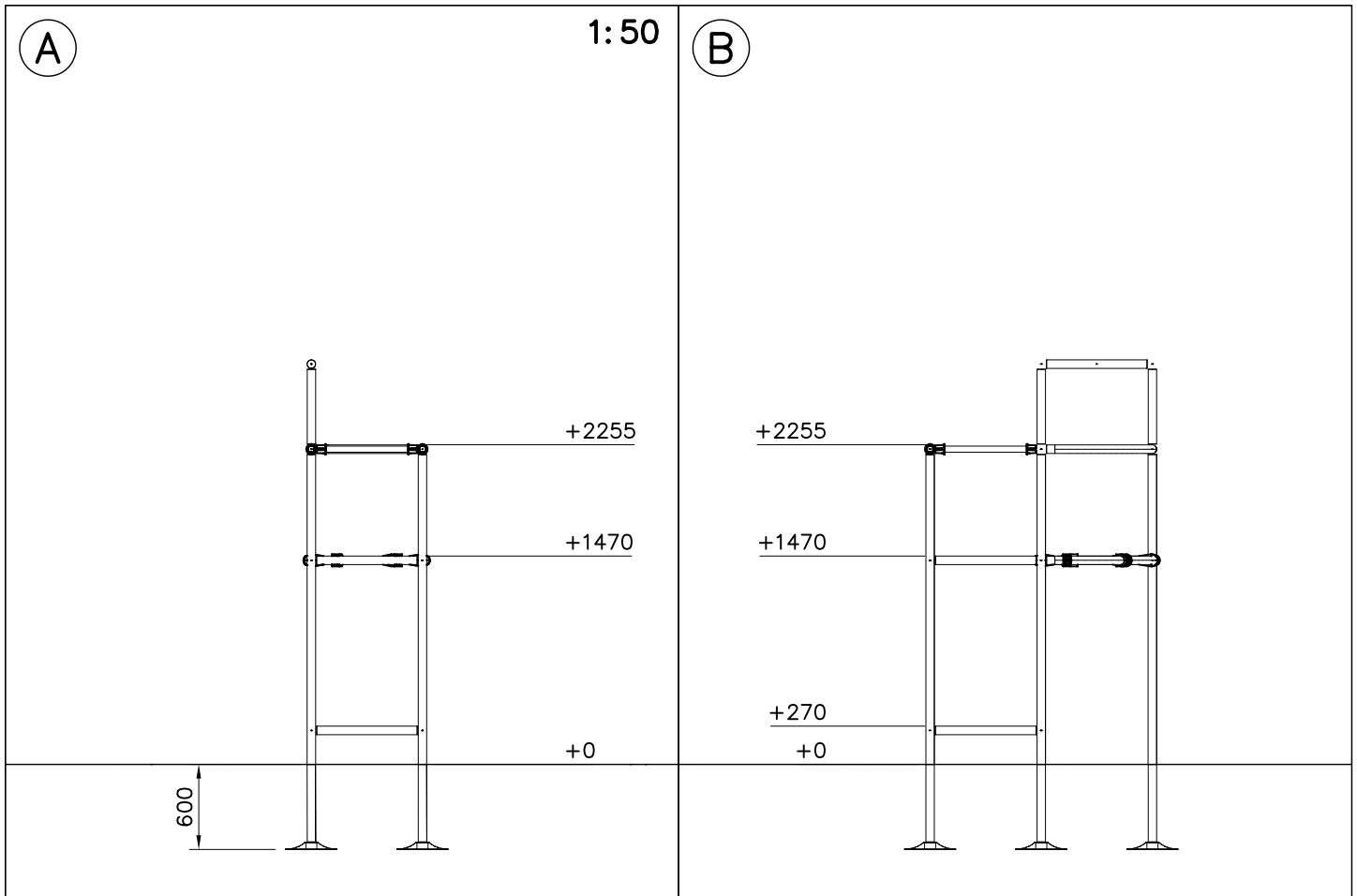


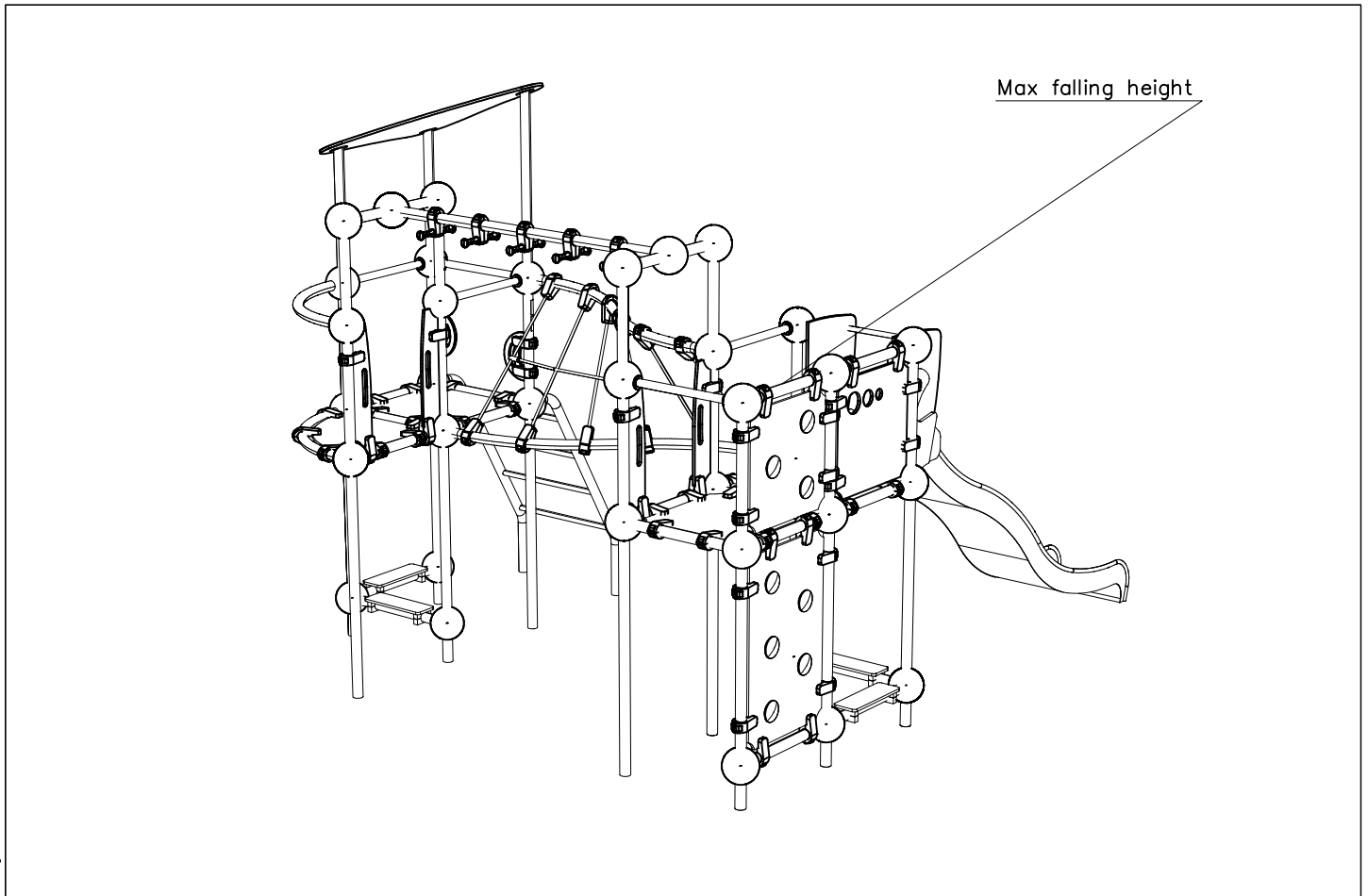
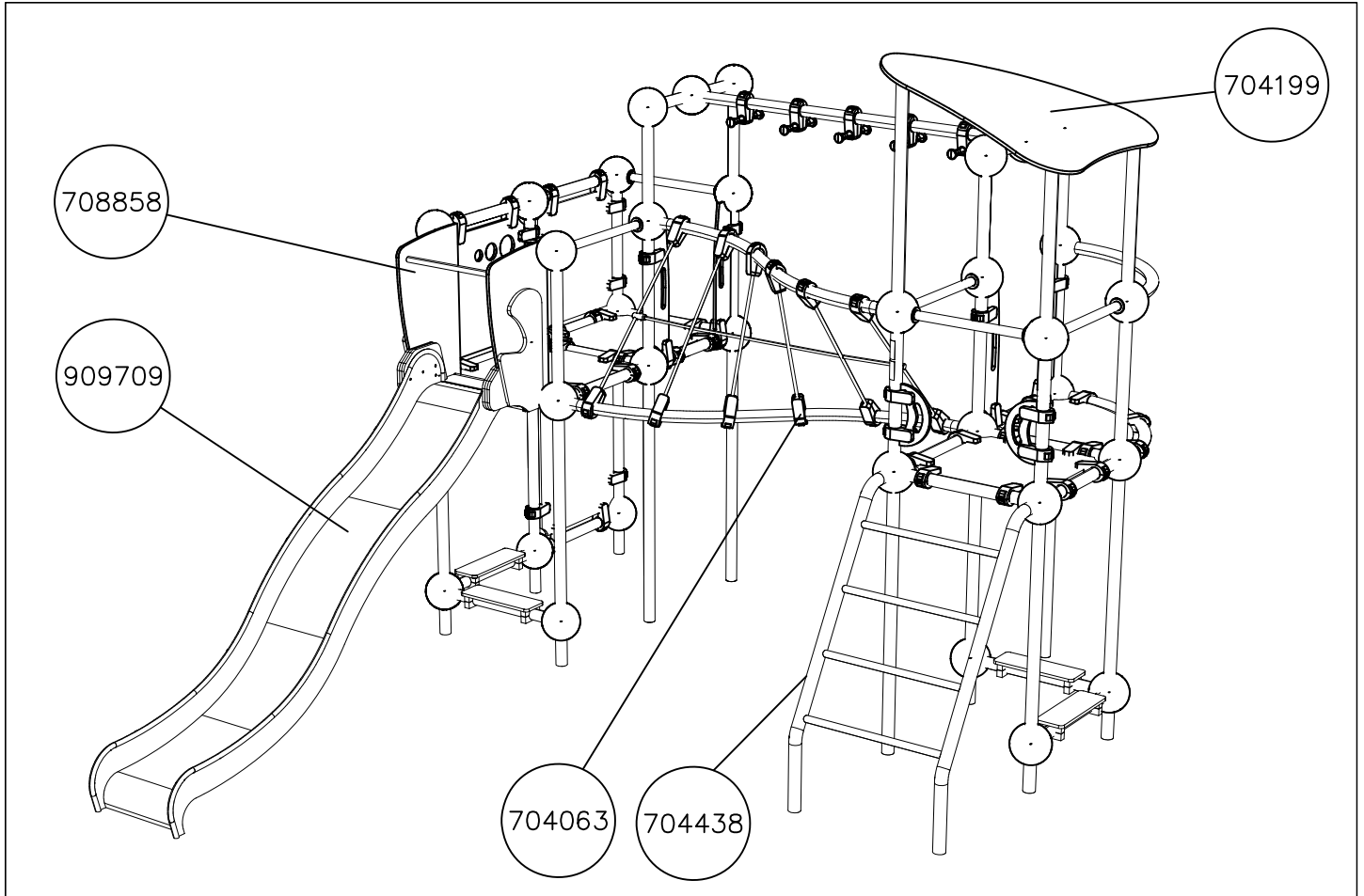
(D)

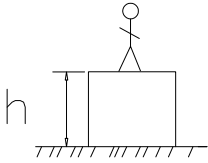



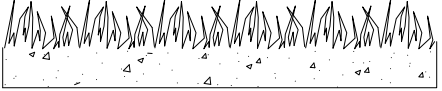
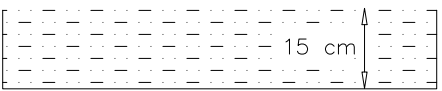
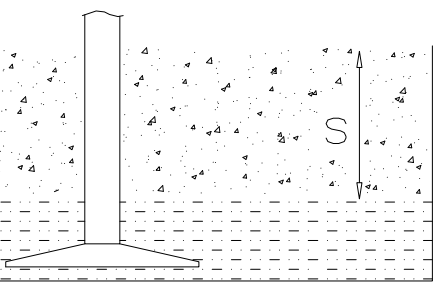
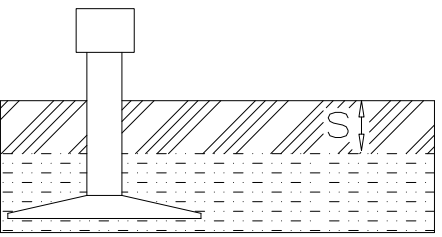




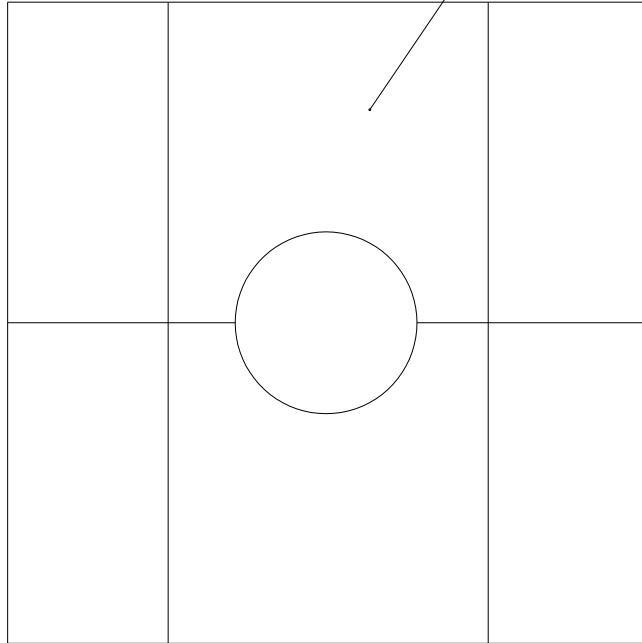




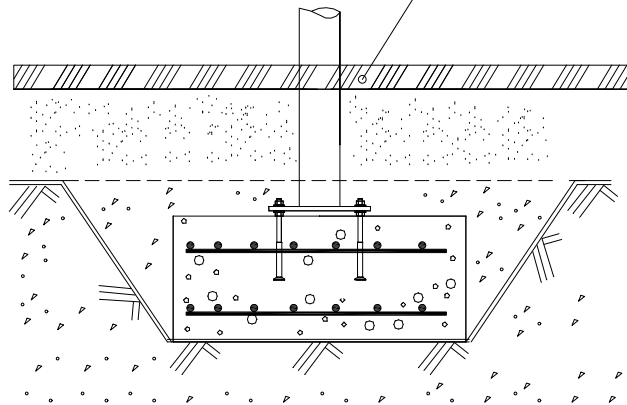


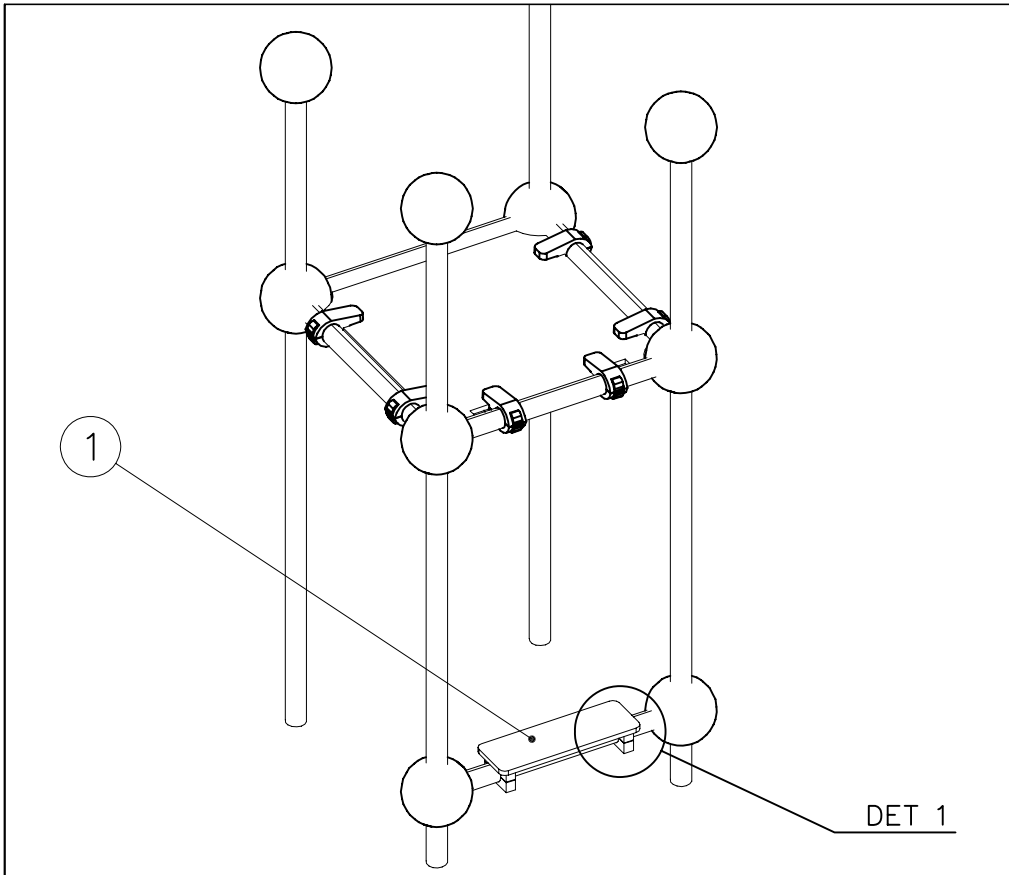
												
<p><b><math>h &lt; 600</math></b></p> <p>Without movement and therefore without Impact Area</p>	<p>Totally hard surfaces.</p> <p>Note. Lappset does <u>not recommend</u> totally hard surfaces at all.</p>	<p>E.g. concrete or asphalt</p> 										
<p><b><math>h &lt; 600</math></b></p> <p>With movement e.g. rocking</p>	<p>Materials with very limited impact attenuating properties.</p>	<p>E.g. wood</p> 										
<p><b><math>h &lt; 1000</math></b></p>	<p>Materials with significant impact attenuating properties.</p>	<p>fine gravel 0–8 mm</p>  <p>grass</p>  <p>unsorted sand</p> 										
<p><b><math>h &lt; 3000</math></b></p>	<p>Loose fill material</p> <p>E.g. sand/gravel 0,25...8 mm D60/D10&lt;3,0 Woodchips 5...30 mm bark 20...80 mm</p>	 <table data-bbox="1024 1691 1332 1780"> <tr> <td><math>\underline{S}</math></td> <td><math>\underline{h}</math></td> </tr> <tr> <td>30 cm</td> <td>&lt; 2,0 m</td> </tr> <tr> <td>40 cm</td> <td>&lt; 3,0 m</td> </tr> </table>	$\underline{S}$	$\underline{h}$	30 cm	< 2,0 m	40 cm	< 3,0 m				
$\underline{S}$	$\underline{h}$											
30 cm	< 2,0 m											
40 cm	< 3,0 m											
	<p>Syntethic granulates</p> <table data-bbox="406 1892 758 2060"> <tr> <td><math>\underline{S}</math></td> <td><math>\underline{h}</math></td> </tr> <tr> <td>40 mm</td> <td>~&gt; 1,2...1,3 m</td> </tr> <tr> <td>50 mm</td> <td>~&gt; 1,5...1,7 m</td> </tr> <tr> <td>60 mm</td> <td>~&gt; 1,8...2,0 m</td> </tr> <tr> <td>70 mm</td> <td>~&gt; 2,1...2,5 m</td> </tr> </table> <p>Note. For accurate values, see manufacturer's instructions.</p>	$\underline{S}$	$\underline{h}$	40 mm	~> 1,2...1,3 m	50 mm	~> 1,5...1,7 m	60 mm	~> 1,8...2,0 m	70 mm	~> 2,1...2,5 m	
$\underline{S}$	$\underline{h}$											
40 mm	~> 1,2...1,3 m											
50 mm	~> 1,5...1,7 m											
60 mm	~> 1,8...2,0 m											
70 mm	~> 2,1...2,5 m											

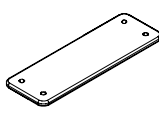
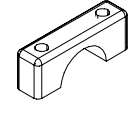
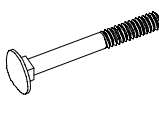
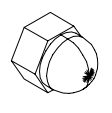
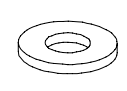
REMOVE SAFETY SURFACE/SAND/GRAVEL  
TO CHECK FOUNDATION

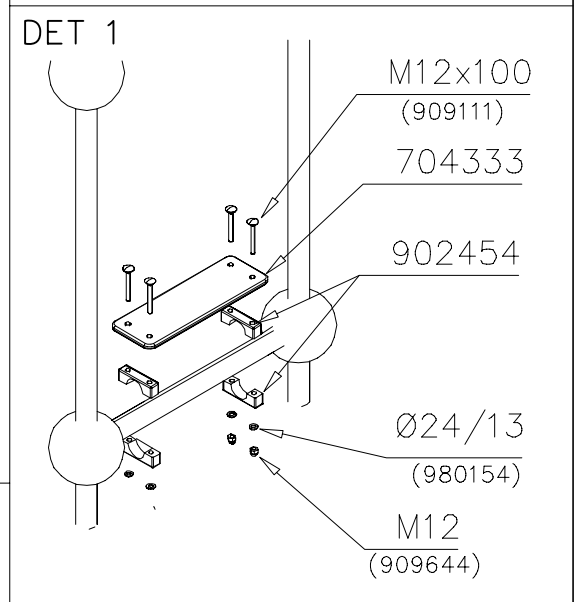
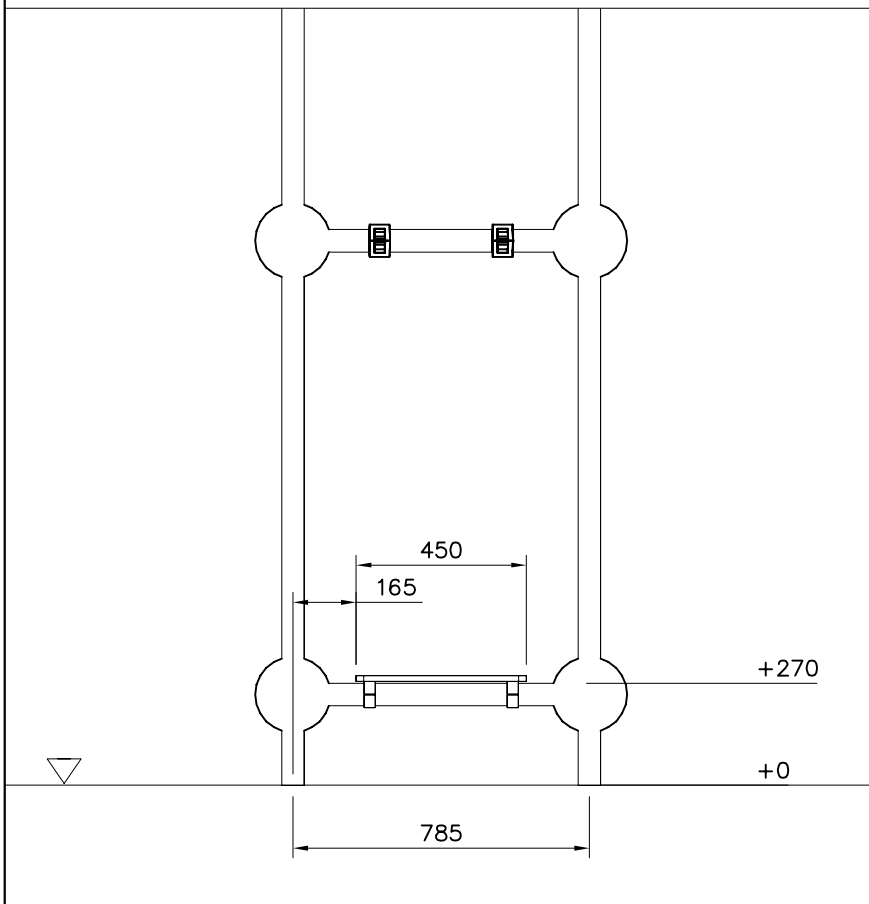


REMOVE SAFETY SURFACE/SAND/GRAVEL  
TO CHECK FOUNDATION





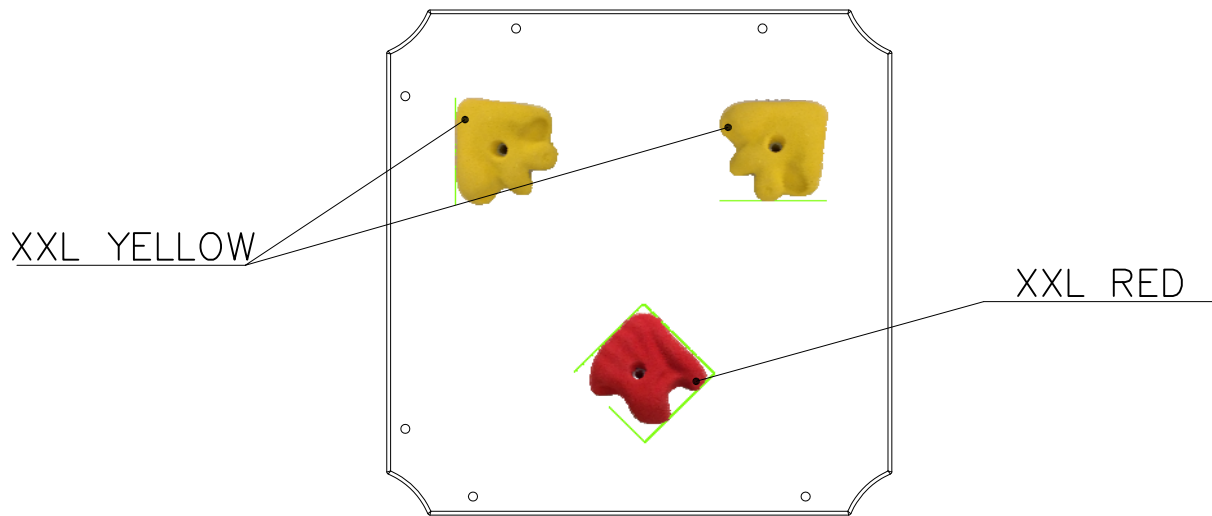
① 704333	PCS	② 902454	PCS
	1		4
③ 909111	PCS	④ 909644	PCS
	4		4
M12x100		M12	
⑤ 980154	PCS		PCS
	4		
Ø24/13			
	PCS		PCS
	PCS		PCS

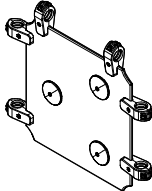
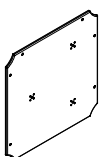
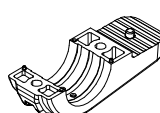
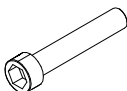
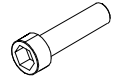
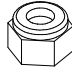
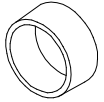
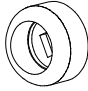
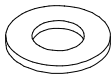

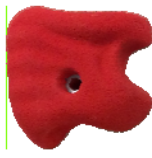
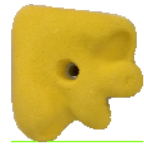


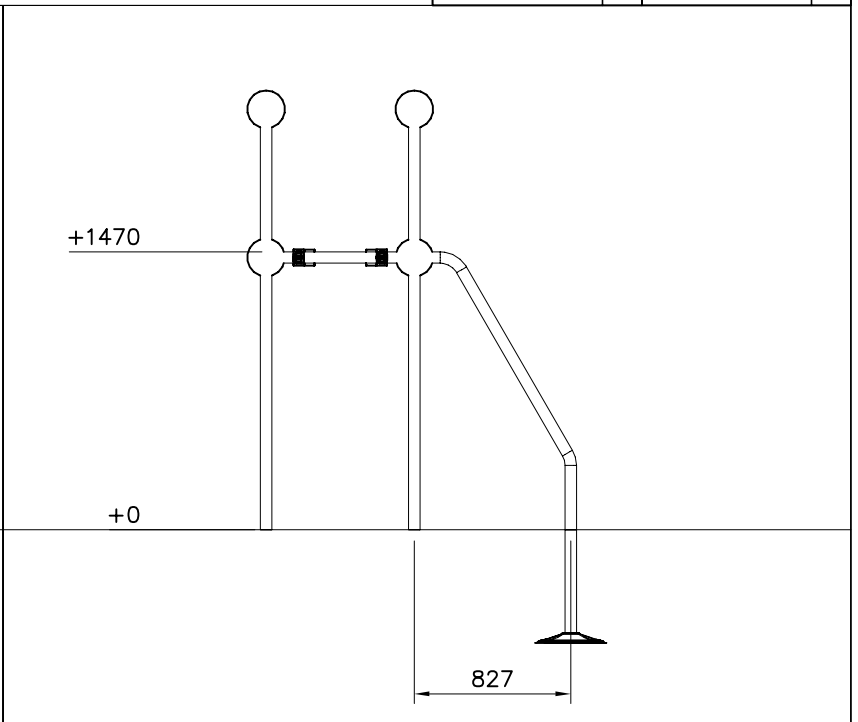
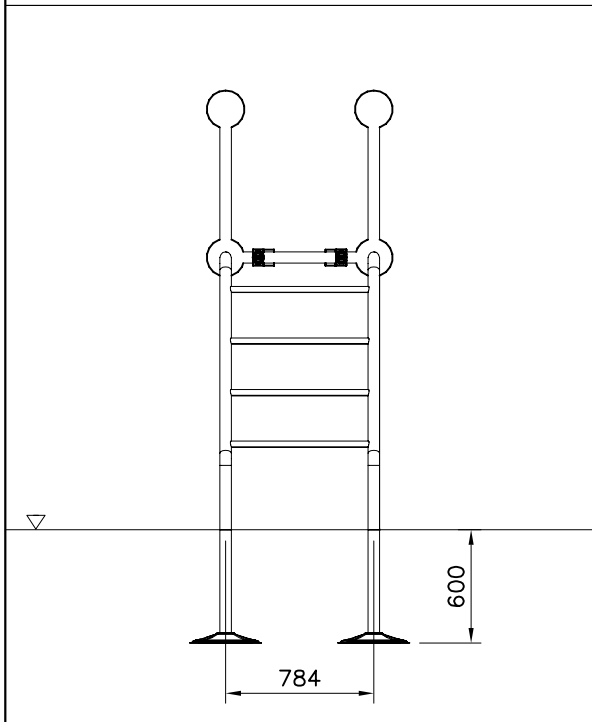
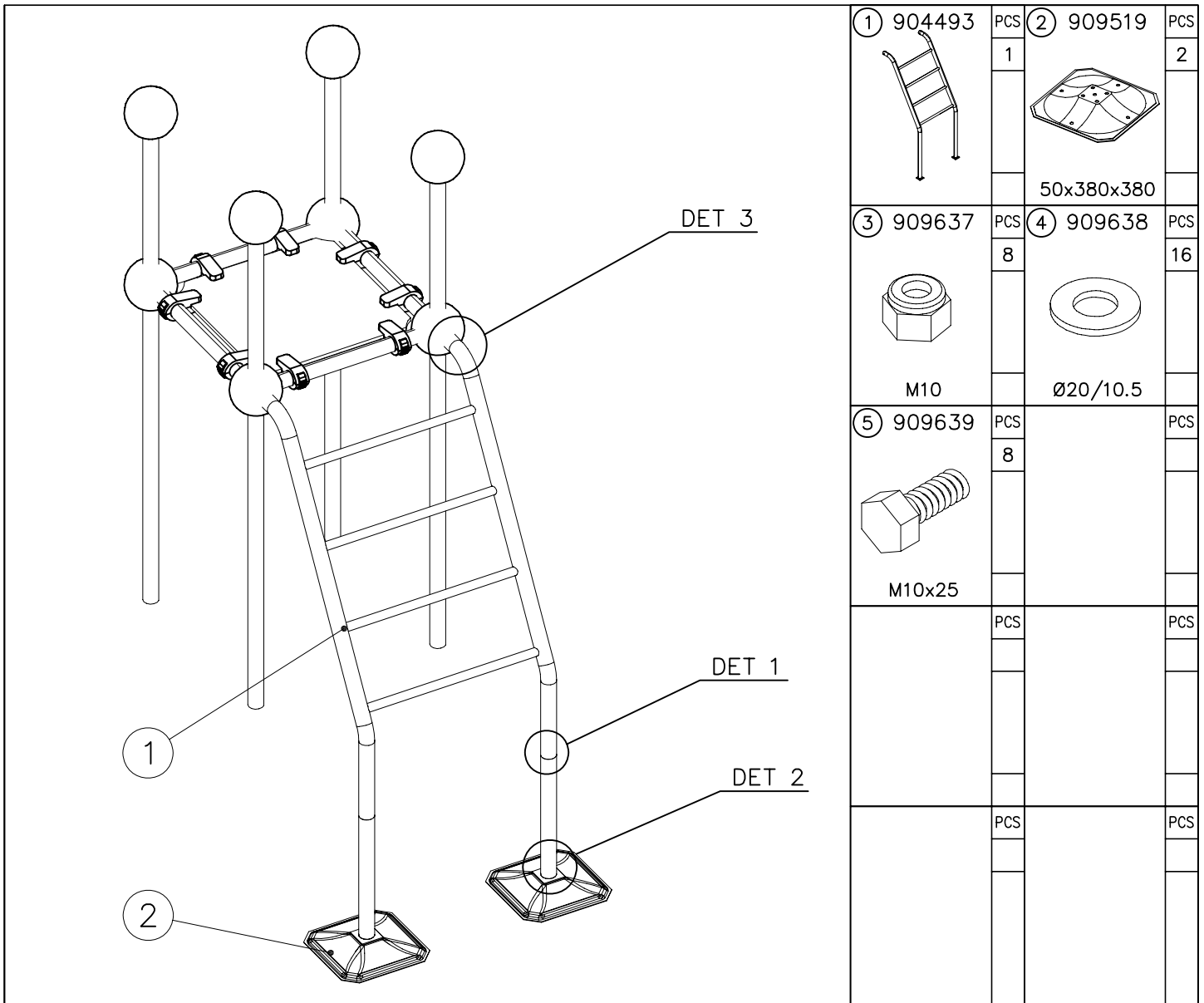
# WINAM GROUP CLIMBING WALL

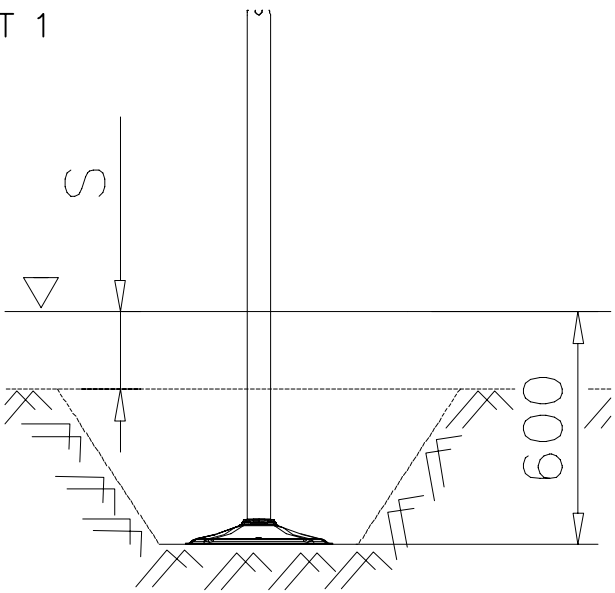
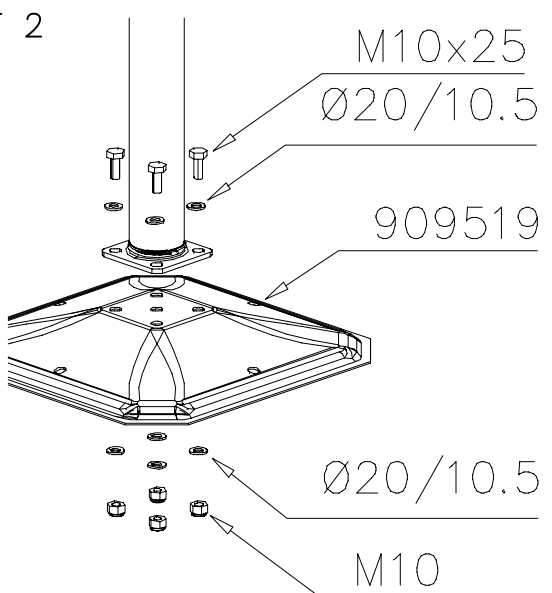
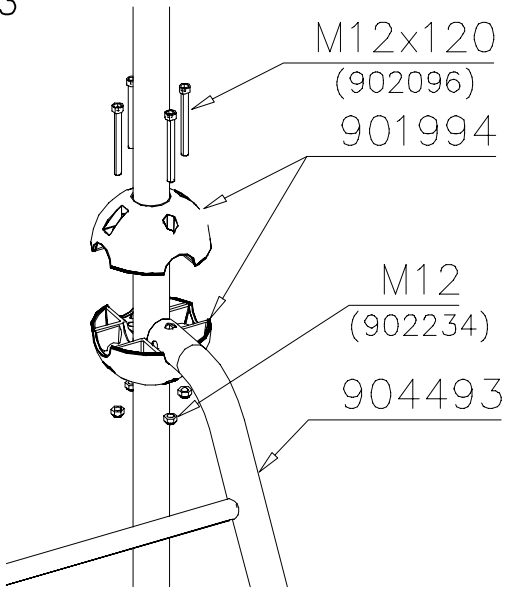
# 704342

DATE: 8.11.2016



	PCS 704342		PCS 704344	1		PCS 902124	12		PCS 902232	9		PCS 902233	6		PCS 980161	15		PCS 905115	3
		D. GREY			150x50x50			M10x55			M10x30			M10			Ø32		
	PCS 905090		PCS 905090	3		PCS 901302	3		PCS 904336	3		PCS 904301	1		PCS 904302	2			
		Ø45			Ø20/10.5			Ø6x20			XXL RED		XXL YELLOW						



<p>DET 1</p> 	<p>DET 2</p> 
<p>DET 3</p> 	

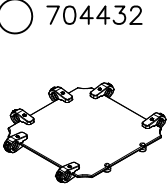
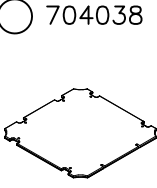
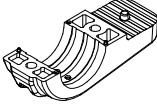
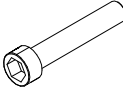
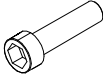
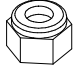
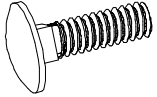
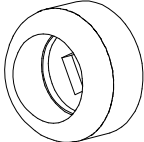

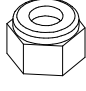
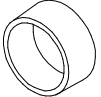
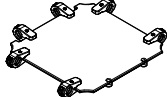
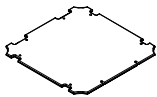
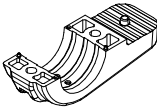
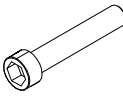
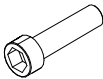
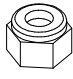
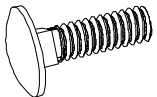
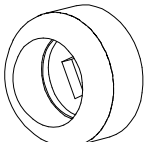
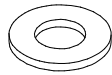
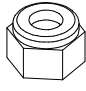
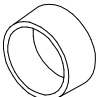
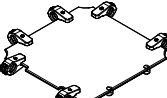

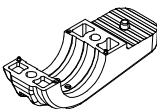
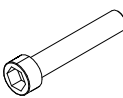
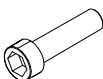
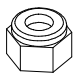
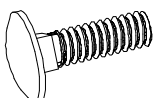
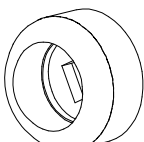
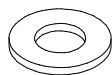
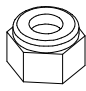
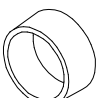


# WINAM GROUP FLOOR (SLIDE)

# CLOXX

DATE: 3.10.2013



		PCS 1	 150x50x50	PCS 12	 M10x55	PCS 6	 M10x30	PCS 6	 M10	PCS 12		PCS
		PCS	 M12x40	PCS 2	 Ø45	PCS 2	 Ø24/13	PCS 2	 M12	PCS 2	 Ø32	PCS 2
		PCS		PCS		PCS		PCS		PCS		PCS
		PCS 1	 150x50x50	PCS 12	 M10x55	PCS 6	 M10x30	PCS 6	 M10	PCS 12		PCS
		PCS	 M12x40	PCS 2	 Ø45	PCS 2	 Ø24/13	PCS 2	 M12	PCS 2	 Ø32	PCS 2
		PCS		PCS		PCS		PCS		PCS		PCS
		PCS 1	 150x50x50	PCS 12	 M10x55	PCS 6	 M10x30	PCS 6	 M10	PCS 12		PCS
		PCS	 M12x40	PCS 2	 Ø45	PCS 2	 Ø24/13	PCS 2	 M12	PCS 2	 Ø32	PCS 2
		PCS		PCS		PCS		PCS		PCS		PCS

# WINAM GROUP FLOOR (SLIDE)

# CLOXX

DATE: 3.10.2013

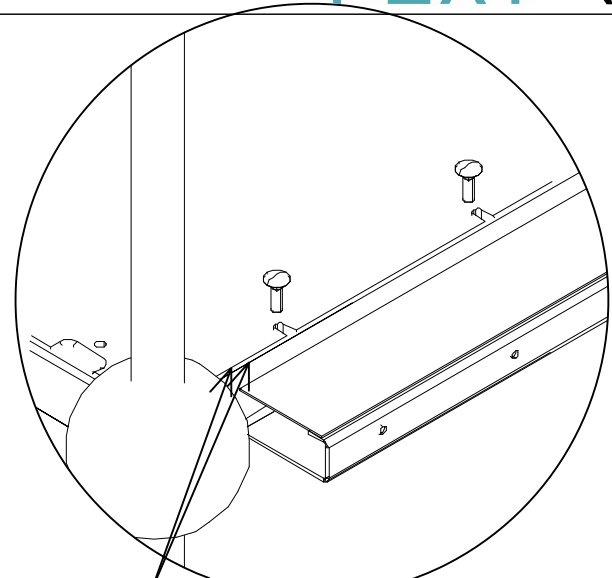
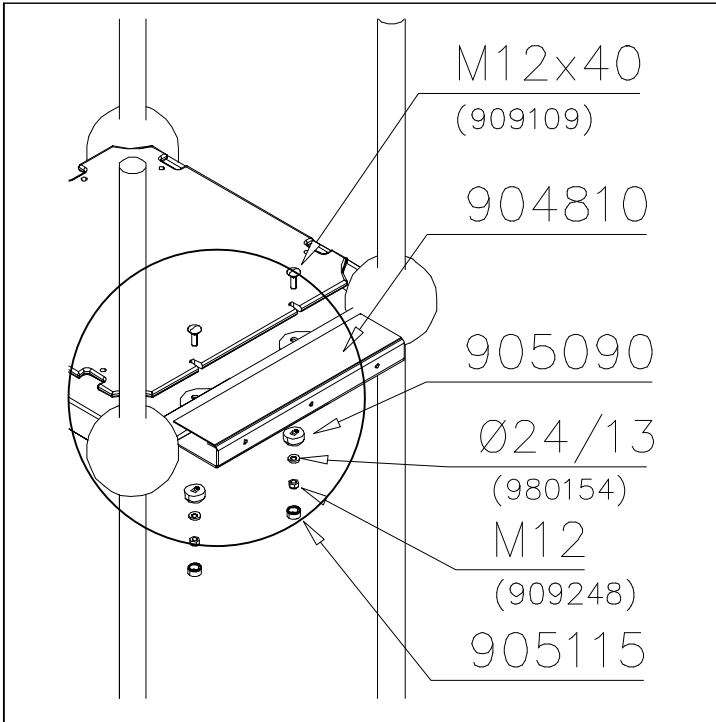


<p>704684</p>	<p>704685</p>	<p>PCS</p> <p>1</p>	<p>902124</p> <p>150x50x50</p>	<p>PCS</p> <p>12</p>	<p>902232</p> <p>M10x55</p>	<p>PCS</p> <p>6</p>	<p>902233</p> <p>M10x30</p>	<p>PCS</p> <p>6</p>	<p>980161</p> <p>M10</p>	<p>PCS</p> <p>12</p>		<p>PCS</p>
		<p>PCS</p>	<p>909109</p> <p>M12x40</p>	<p>PCS</p> <p>2</p>	<p>905090</p> <p>Ø45</p>	<p>PCS</p> <p>2</p>	<p>980154</p> <p>Ø24/13</p>	<p>PCS</p> <p>2</p>	<p>909248</p> <p>M12</p>	<p>PCS</p> <p>2</p>	<p>905115</p> <p>Ø32</p>	<p>PCS</p> <p>2</p>
		<p>PCS</p>		<p>PCS</p>		<p>PCS</p>		<p>PCS</p>		<p>PCS</p>		<p>PCS</p>
<p>704692</p>	<p>704693</p>	<p>PCS</p> <p>1</p>	<p>902124</p> <p>150x50x50</p>	<p>PCS</p> <p>12</p>	<p>902232</p> <p>M10x55</p>	<p>PCS</p> <p>6</p>	<p>902233</p> <p>M10x30</p>	<p>PCS</p> <p>6</p>	<p>980161</p> <p>M10</p>	<p>PCS</p> <p>12</p>		<p>PCS</p>
		<p>PCS</p>	<p>909109</p> <p>M12x40</p>	<p>PCS</p> <p>2</p>	<p>905090</p> <p>Ø45</p>	<p>PCS</p> <p>2</p>	<p>980154</p> <p>Ø24/13</p>	<p>PCS</p> <p>2</p>	<p>909248</p> <p>M12</p>	<p>PCS</p> <p>2</p>	<p>905115</p> <p>Ø32</p>	<p>PCS</p> <p>2</p>
		<p>PCS</p>		<p>PCS</p>		<p>PCS</p>		<p>PCS</p>		<p>PCS</p>		<p>PCS</p>
		<p>PCS</p>		<p>PCS</p>		<p>PCS</p>		<p>PCS</p>		<p>PCS</p>		<p>PCS</p>

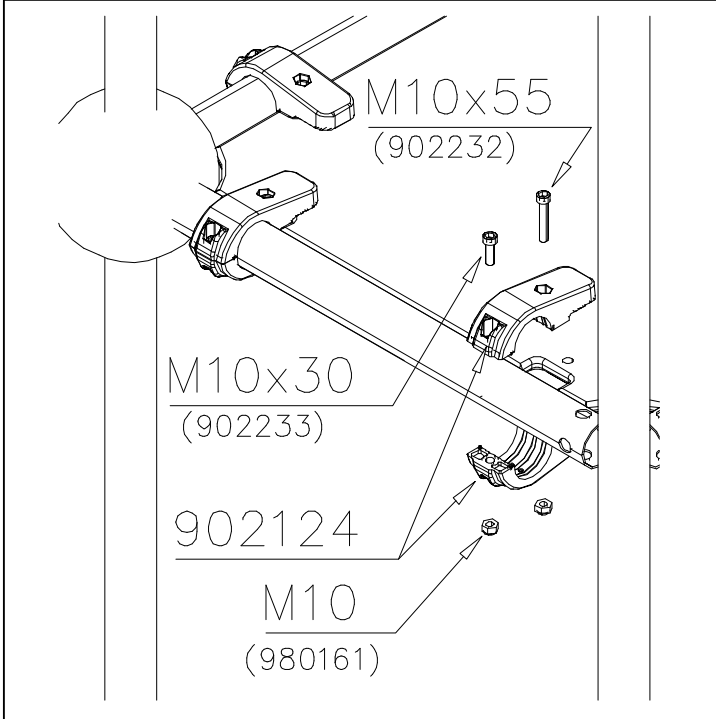
# WINAM GROUP FLOOR (SLIDE)

# CLOXX

DATE: 3.10.2013

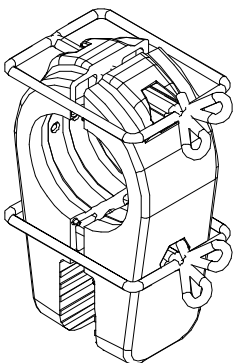
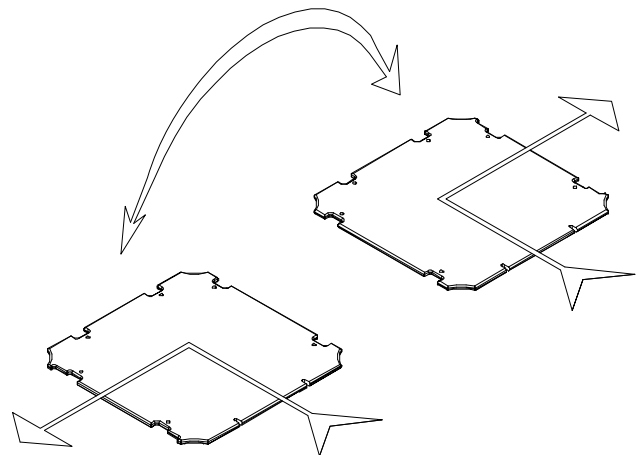


ATT ! MAX GAP between plate and tube is 6mm  
HUOM ! MAKSIMI VÄLI lattialevyllä ja putkella on 6mm



KÄYTÄ TARVITTAESSA SAMAA LEVYÄ VASEMALLE TAI OIKEALLE.

IF NECESSARY USE SAME PLATE LEFT OR RIGHT.



**NOTE:**

Use a wire marked pairs of the same junction.

**Huom!**

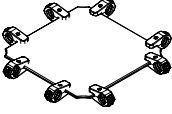
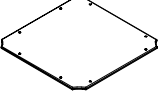
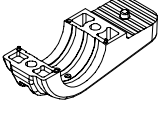
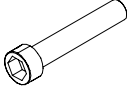
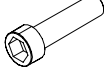
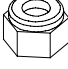
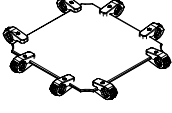

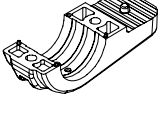
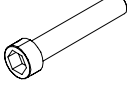
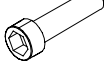

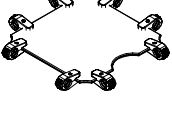
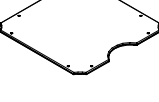
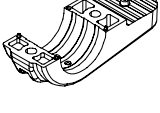
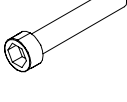
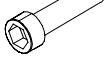

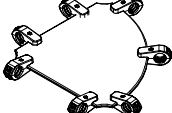

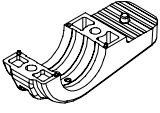
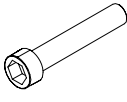
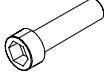
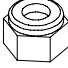
Käytä langalla merkittyä paria samassa liitoksessa.

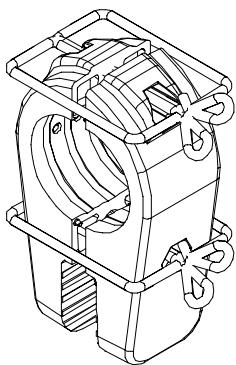
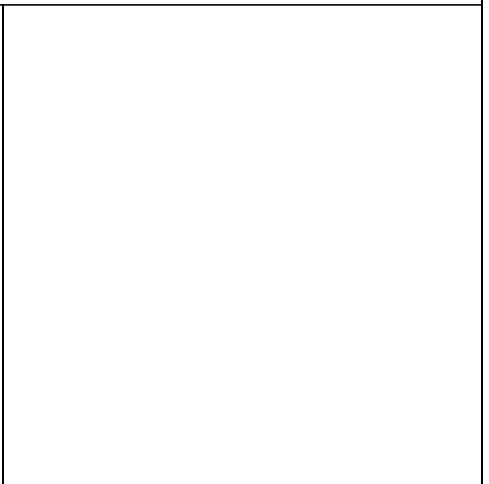
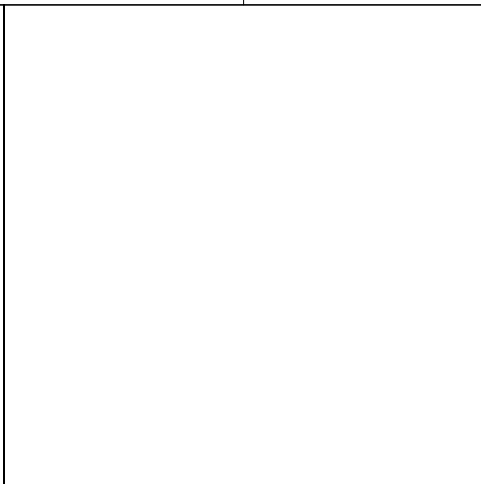
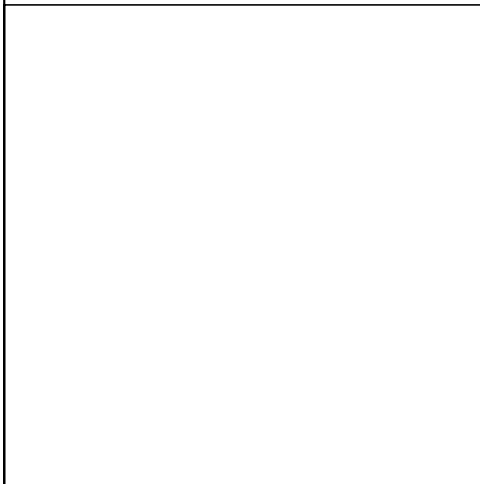
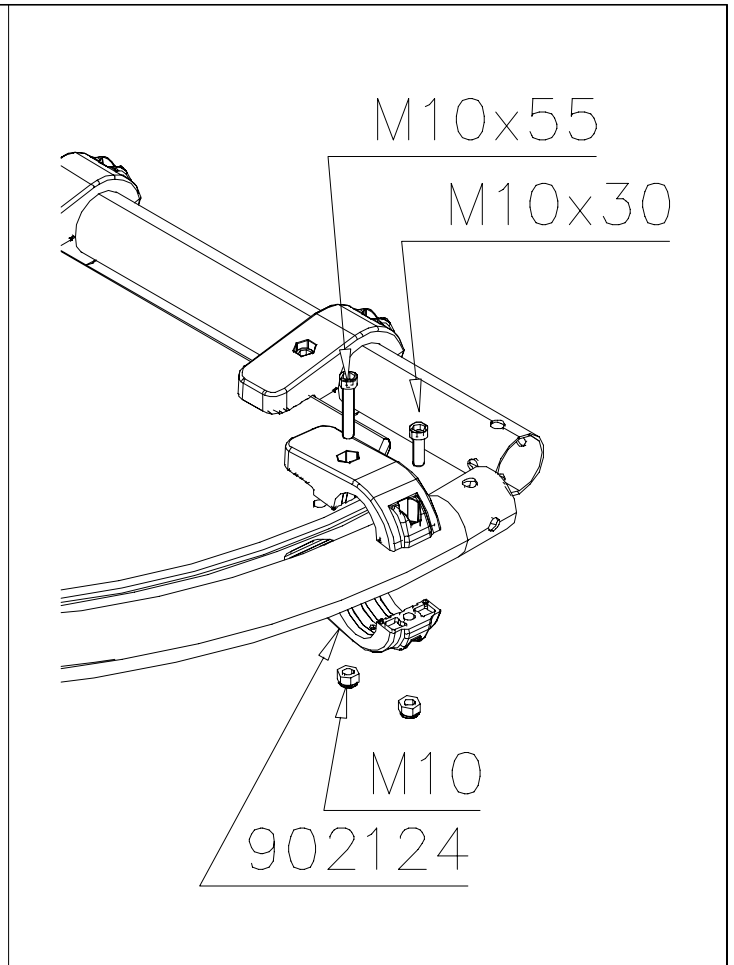
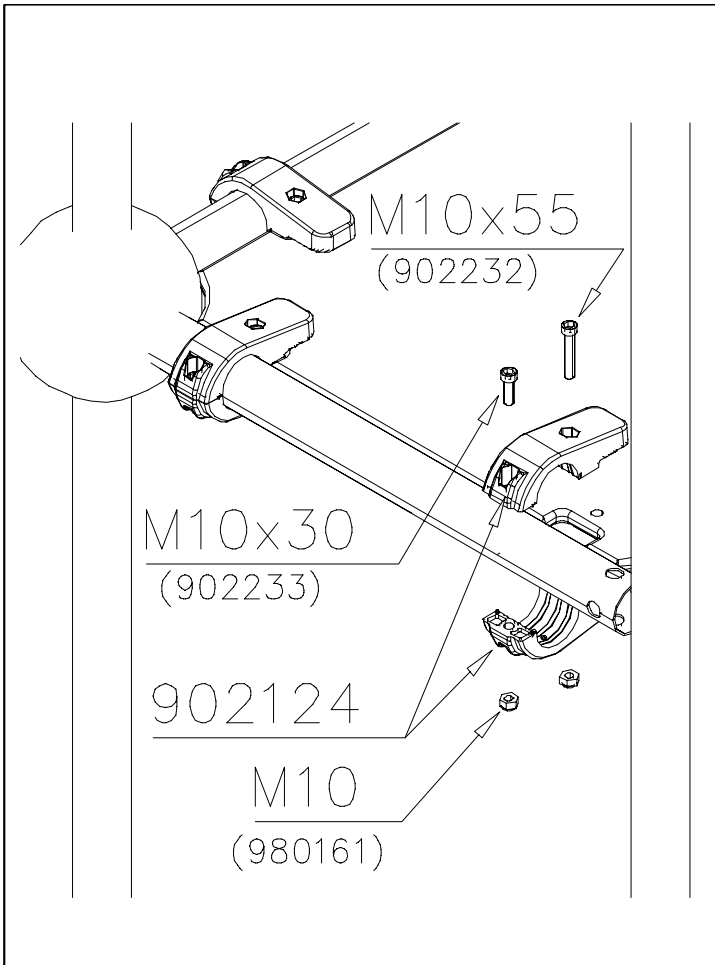
# WINAM GROUP FLOOR 2

# CLOXX

DATE: 10.5.2012



○ 704443 	○ 704442 	PCS 1	○ 902124  150x50x50	PCS 16	○ 902232  M10x55	PCS 8	○ 902233  M10x30	PCS 8	○ 980161  M10	PCS 16		PCS
○ 704703 	○ 704704 	PCS 1	○ 902124  150x50x50	PCS 16	○ 902232  M10x55	PCS 8	○ 902233  M10x30	PCS 8	○ 980161  M10	PCS 16		PCS
○ 704678 	○ 704679 	PCS 1	○ 902124  150x50x50	PCS 16	○ 902232  M10x55	PCS 8	○ 902233  M10x30	PCS 8	○ 980161  M10	PCS 16		PCS
○ 704694 	○ 704695 	PCS 1	○ 902124  150x50x50	PCS 14	○ 902232  M10x55	PCS 7	○ 902233  M10x30	PCS 7	○ 980161  M10	PCS 14		PCS
		PCS		PCS		PCS		PCS		PCS		PCS
		PCS		PCS		PCS		PCS		PCS		PCS
		PCS		PCS		PCS		PCS		PCS		PCS
		PCS		PCS		PCS		PCS		PCS		PCS

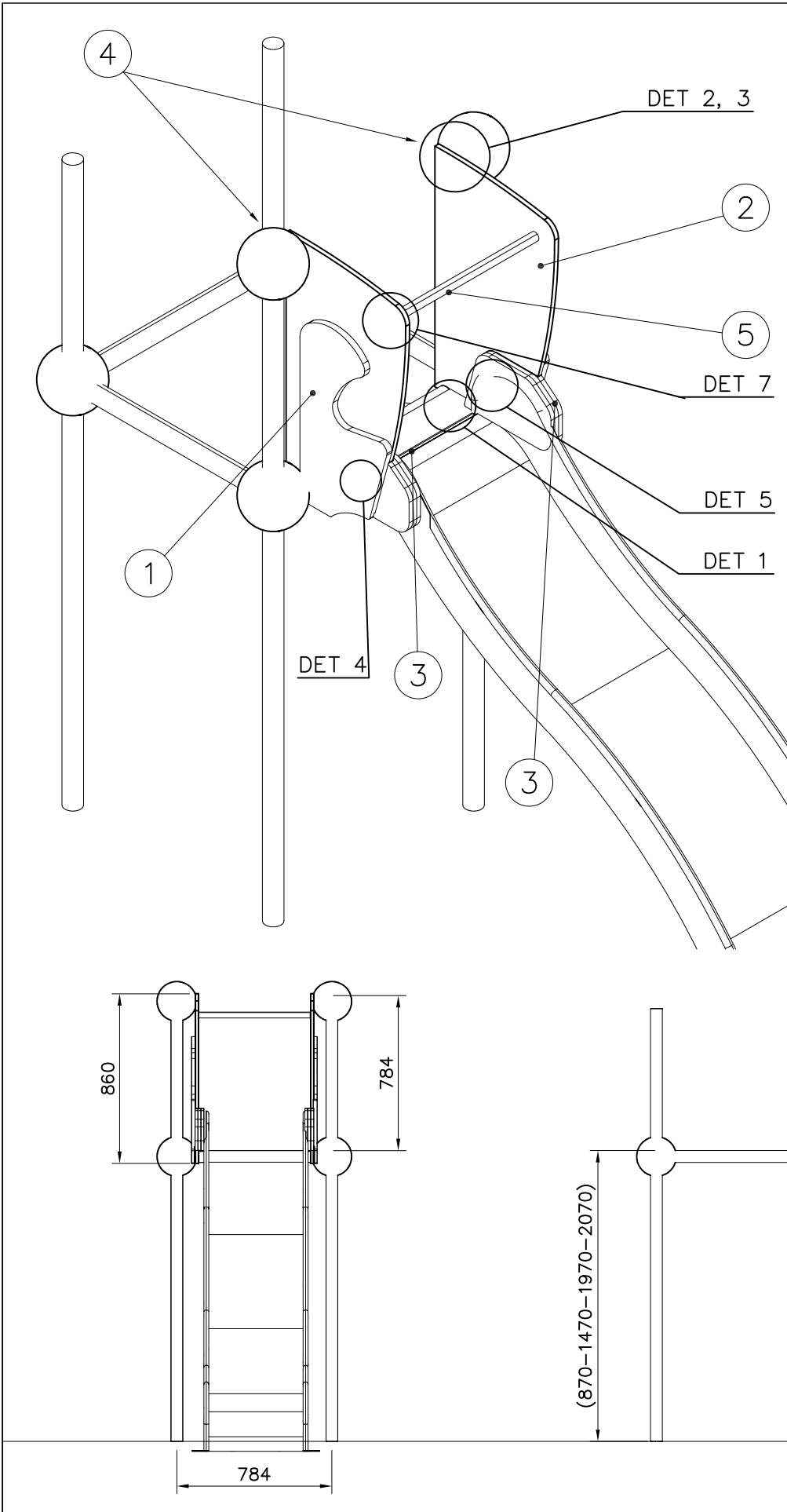


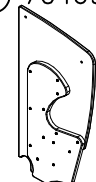
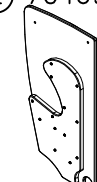
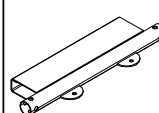
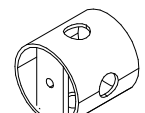

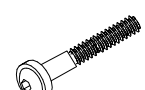

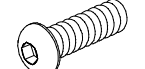

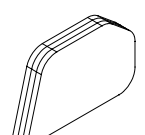

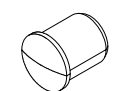

**NOTE:**

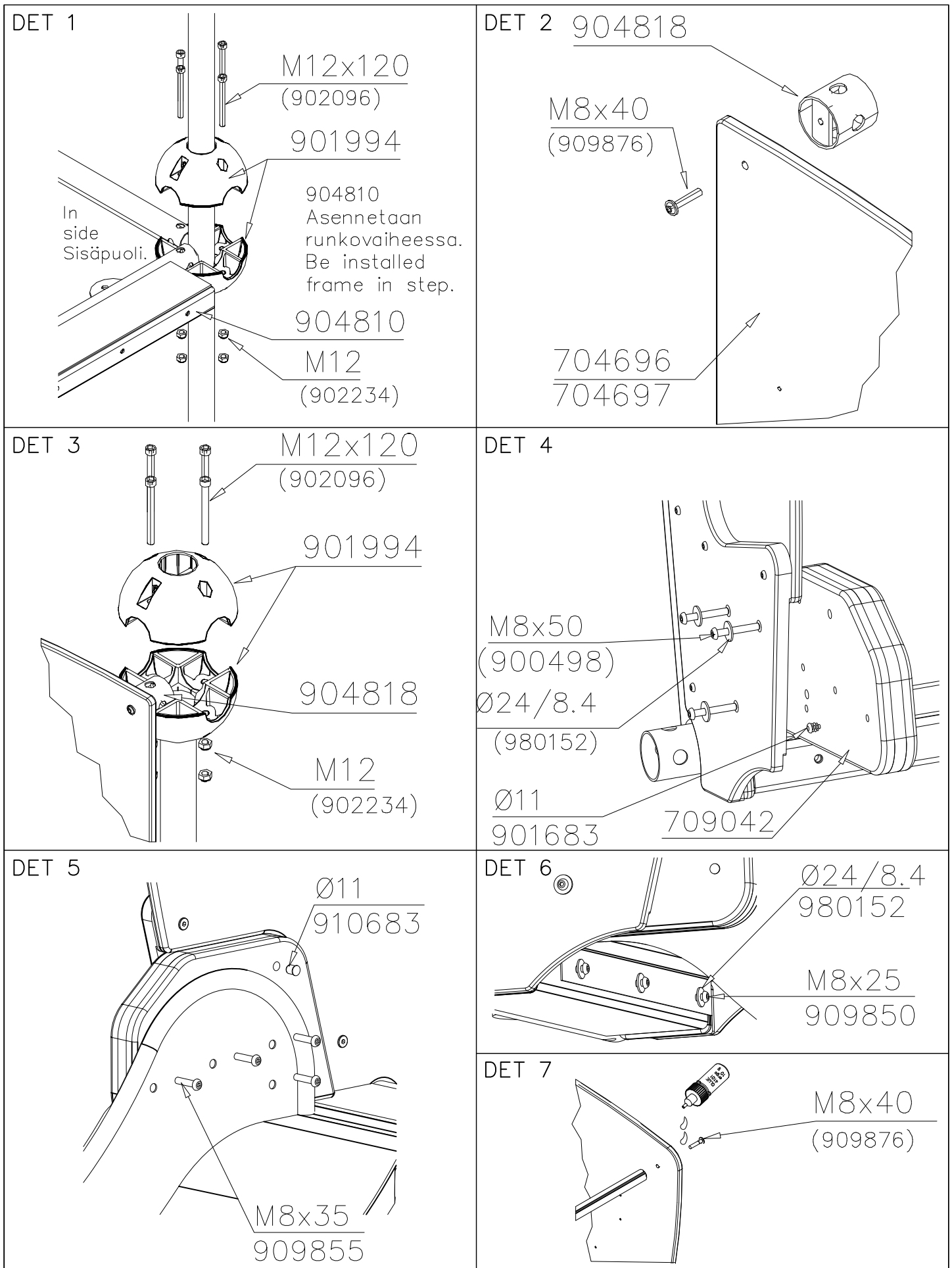
Use a wire marked pairs of the same junction.

**Huom!**

Käytä langalla merkittyä paria samassa liitoksessa.

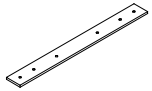
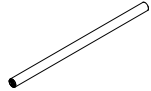

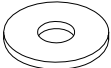


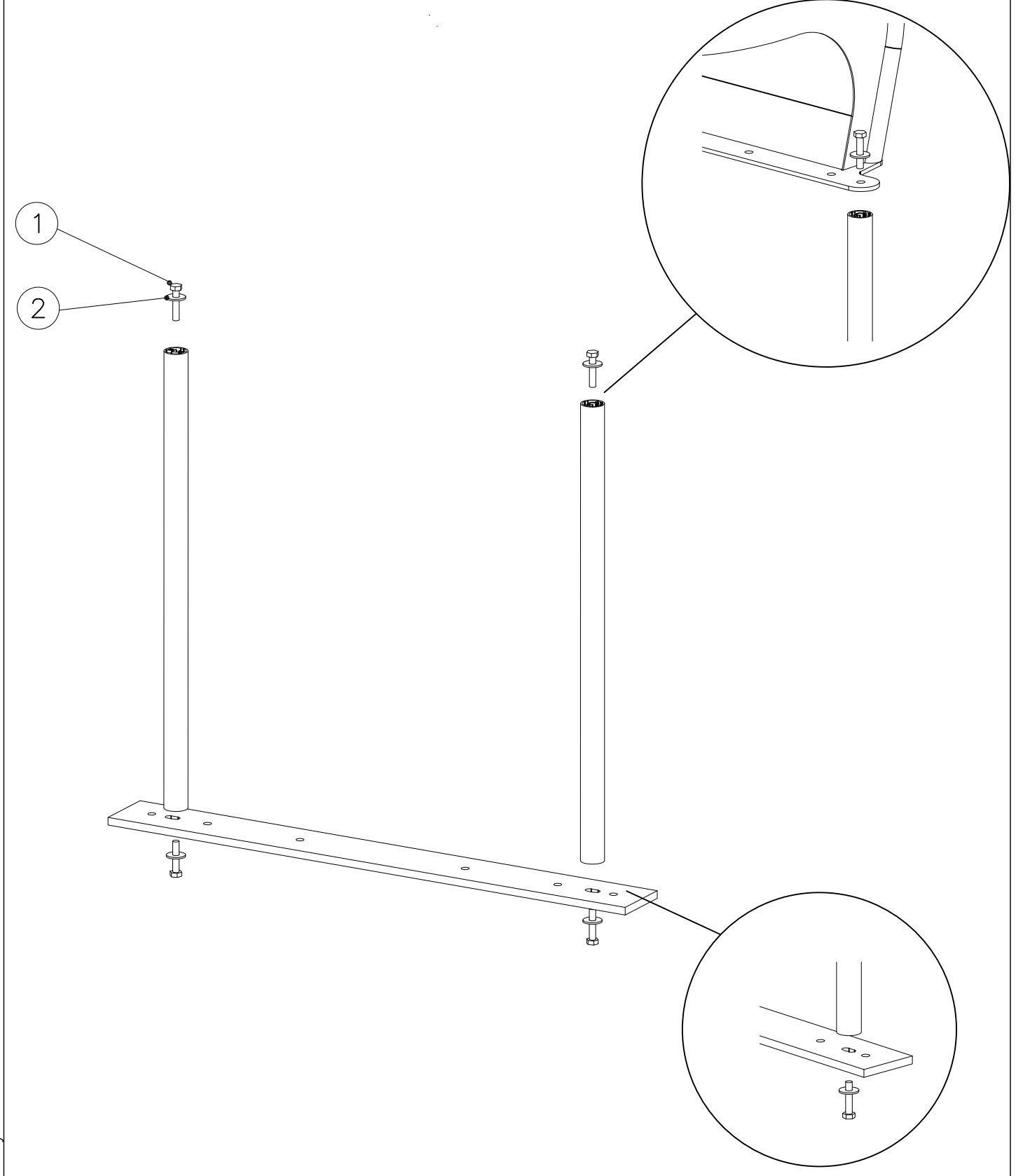
①	704696	PCS	②	704697	PCS
		1			1
③	904810	PCS	④	904818	PCS
		1			2
⑤	904833	PCS	⑥	909876	PCS
		1			4
	Ø30x565			M8x40	
⑦	980152	PCS	⑧	900498	PCS
		9			6
	Ø24/8.4			M8x50	
⑨	999561	PCS	⑩	709042	PCS
		1			2
	CLUE 4101 ergo 10 g				
	10 g				
			⑪	909855	PCS
					8
				M8x35	
			⑫	910683	PCS
					4
				Ø11	
			⑬	909850	PCS
					3
				M8x25	



### DEEP FOUNDATION

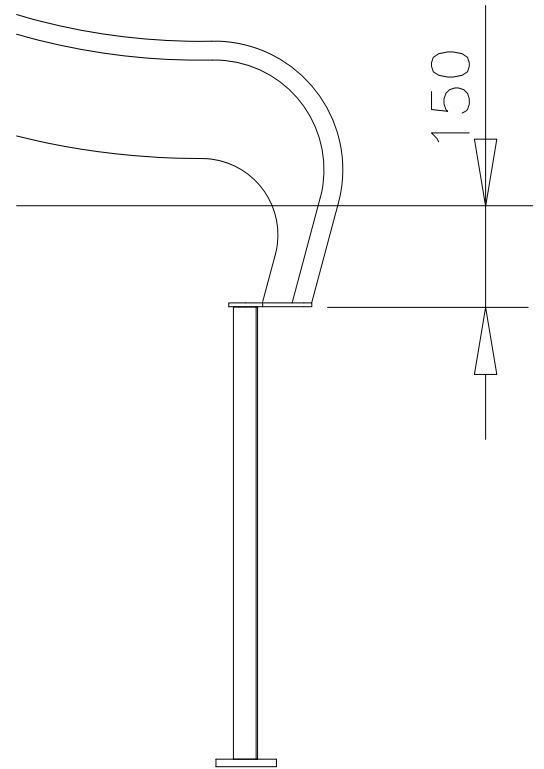
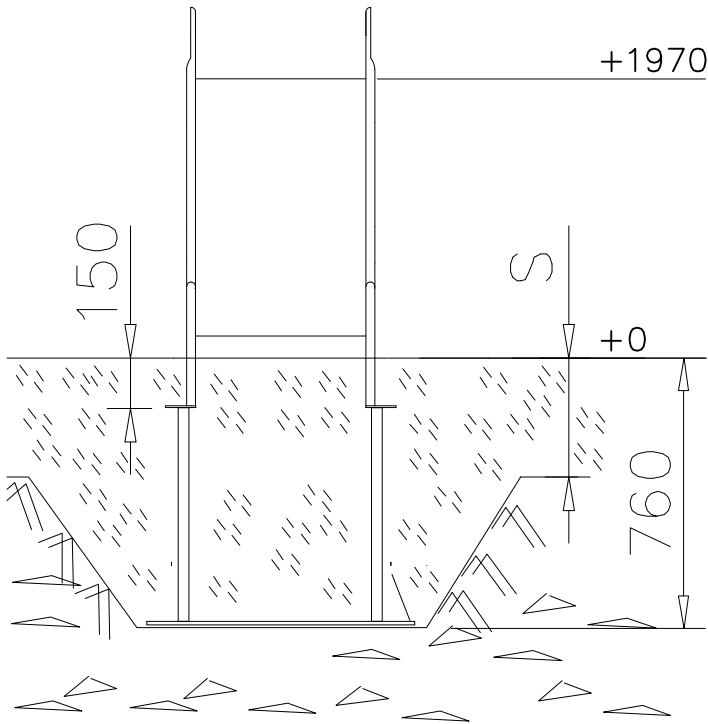
DATE: 11.2.2019

○ 707133	PCS	○ 901868	PCS	① 909210	PCS	② 905051	PCS
	1		2		4		4
10x80x745		Ø30x598		M8x40		Ø24/8.4	

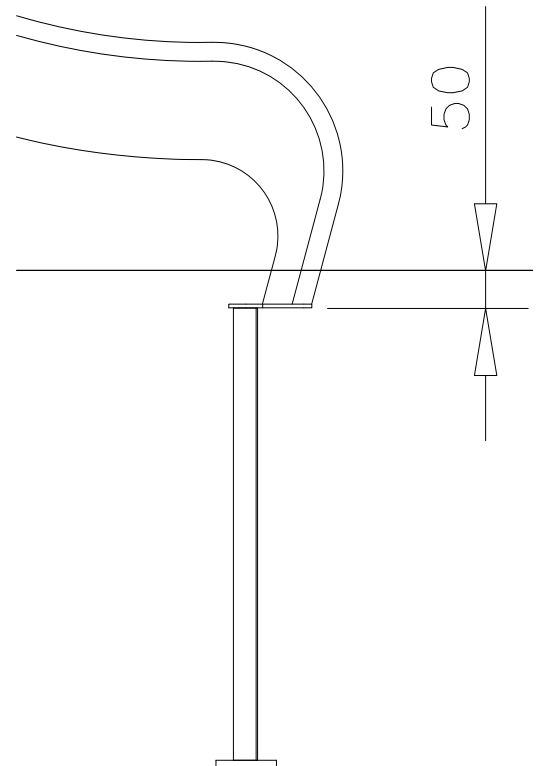
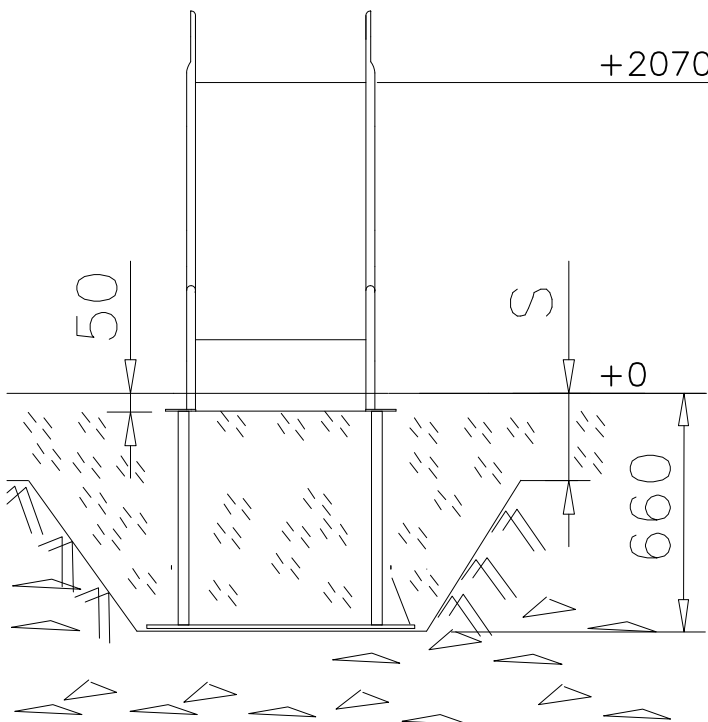


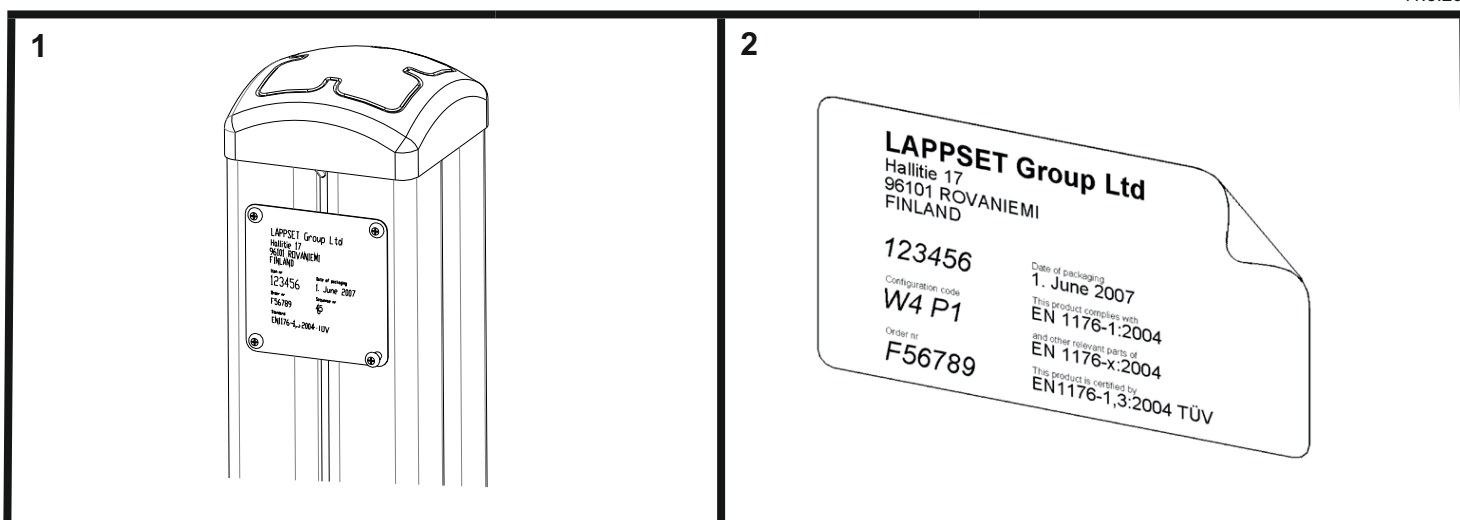


Floor level +1970



Floor level +2070





### Tuotekyltti tulee tuotteen mukana yhdellä seuraavista tavoista:

#### 1) Metallinen tuotekyltti ja kiinnitysruuvit

- Kiinnitä tuotekyltti ruuveilla tolppaan noin 2 metrin korkeuteen kuvan 2 mukaisesti.

#### 2) Tuotekylttitarra

- Puhdista maalattu metalli- tai vaneripinta pölystä ja kosteudesta. Liimaa tarra kuvan 3 mukaisesti.
- Huom. Älä kiinnitä tarraa karheapintaiseen laminaattiin tai maalattuun puuhun.

### Vår produktmärkning levereras på ett av följande sätt:

#### 1) Produktskylt i metall

- Fäst skylten med de medföljande skruvarna

#### 2) Självhäftande produktetikett

- Rengör den pulverlackerad metallytan eller laminerad ytan så att den blir fri från smuts och fukt. Fäst etiketten enligt fig. 3.
- Obs! Fäst ej etiketten på detaljer med skrovlig yta eller på målat trä.

### Product label is delivered by one of following ways:

#### 1) Metal product label and screws

- Fasten the label with screws.

#### 2) Label sticker

- Clean the painted metal or plywood surface from dirt and moisture. Fasten the sticker as shown in the figure 3.
- Note. Do not attach the sticker to rough surfaced laminate or painted wood.

### La plaque d'informations produit est livrée sous l'une de ces 3 formes :

#### 1) Plaque métallique et vis

- Fixez la plaque à l'aide des vis.

#### 2) Etiquette autocollante

- Avant de coller l'étiquette, nettoyez le composant métallique peint ou la plaque de contreplaqué, de toute saleté. La surface doit être sèche (voir image 3).
- Attention, ne pas coller l'étiquette sur une surface lamellé-collée irrégulière ou sur du bois peint.

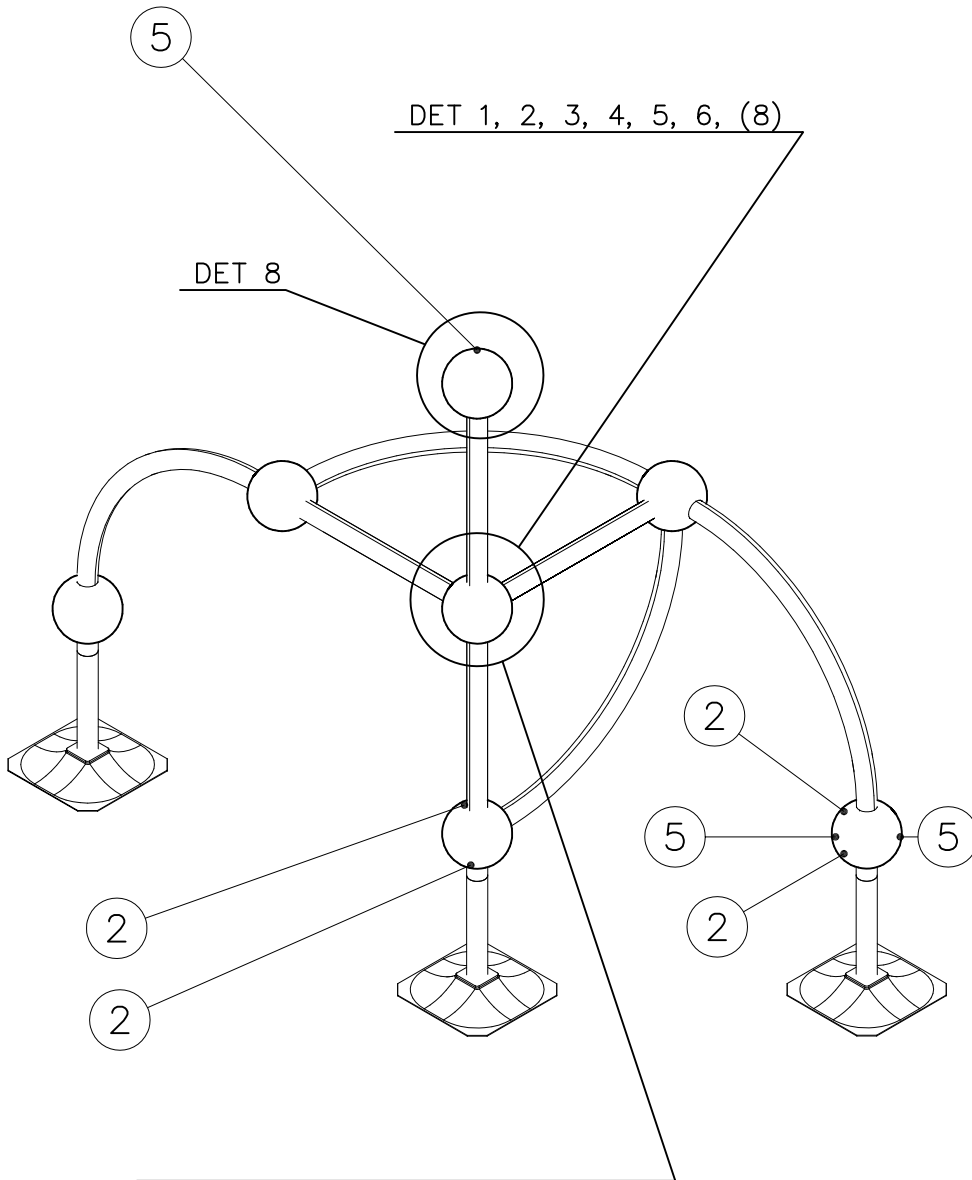
### Die Auslieferung des Produktaufklebers erfolgt auf eine dieser Arten:

#### 1) Produkt-Schild aus Metall incl. Schrauben

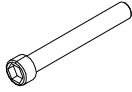

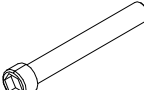

- Die Befestigung des Schildes erfolgt mittels der Schrauben.

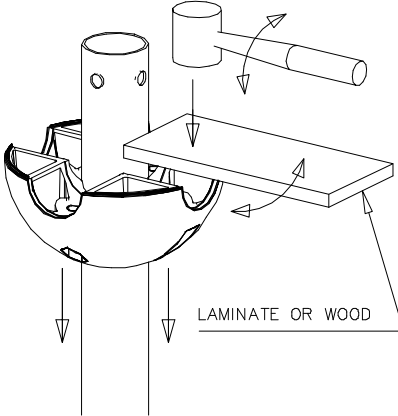
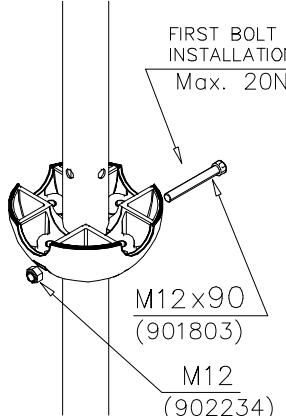
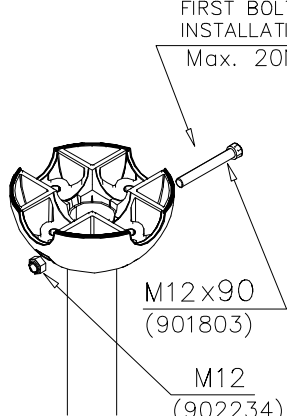
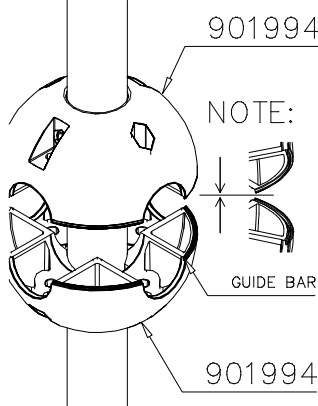
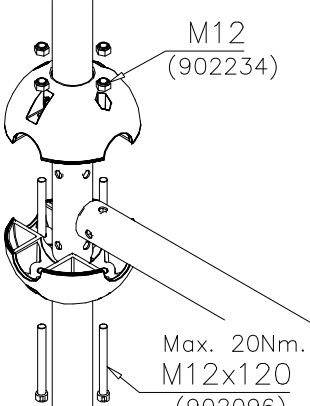
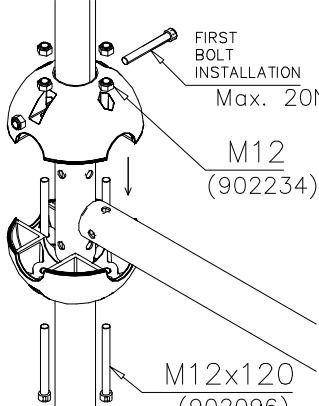
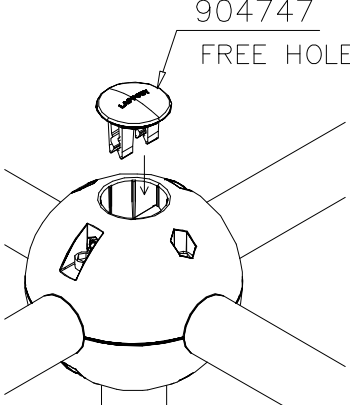
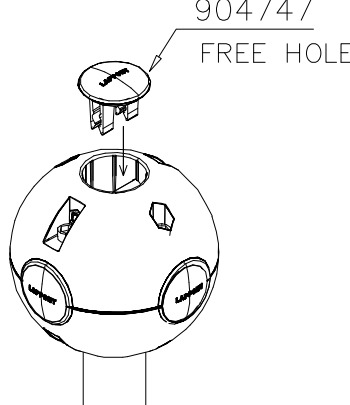
#### 2) Aufkleber

- Entfernen Sie zunächst Schmutz und Feuchtigkeit vom lackierten Metall bzw. von der Holzoberfläche und bringen Sie den Aufkleber wie im Bild oben rechts beschrieben auf den gesäuberten Untergrund auf.
- Beachten Sie: Bringen Sie den Aufkleber nicht auf raues laminiertes oder lackiertes Holz an.



DO NOT TIGHTEN THE JOINTS UNTIL THE STRUCTURE IS COMPLETE.

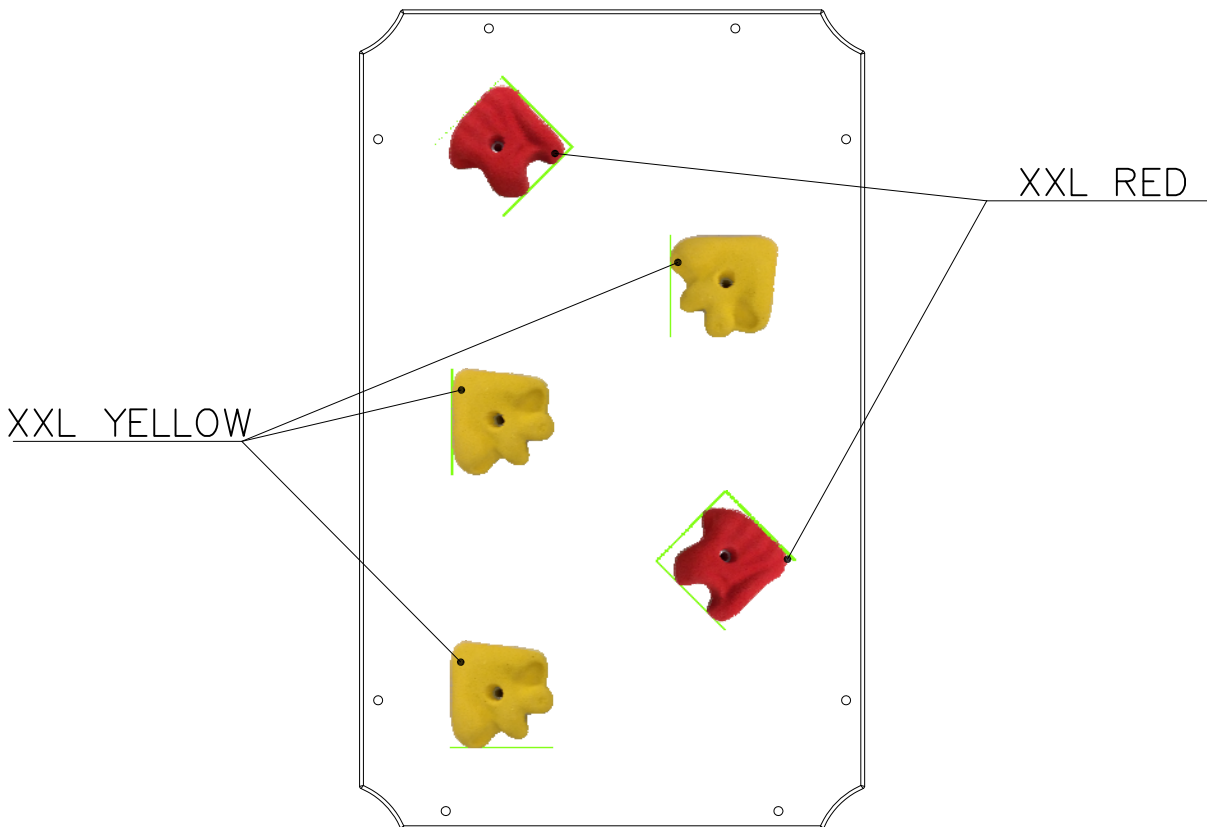
① 901803	PCS	② 901994	PCS
	2		2
M12x90		Ø190	
③ 902096	PCS	④ 902234	PCS
	4		6
M12x120		M12	
	PCS		PCS
	PCS		PCS
	PCS		PCS
	PCS		PCS
	PCS		PCS
	PCS		PCS

<p>DET 1</p>  <p>LAMINATE OR WOOD</p>	<p>DET 2</p>  <p>FIRST BOLT INSTALLATION Max. 20Nm.</p> <p>M12x90 (901803)</p> <p>M12 (902234)</p>	<p>DET 3</p>  <p>FIRST BOLT INSTALLATION Max. 20Nm.</p> <p>M12x90 (901803)</p> <p>M12 (902234)</p>
<p>DET 4</p>  <p>901994</p> <p>NOTE:</p> <p>GUIDE BAR</p> <p>901994</p>	<p>DET 5</p>  <p>M12 (902234)</p> <p>Max. 20Nm. M12x120 (902096)</p>	<p>DET 6</p>  <p>FIRST BOLT INSTALLATION Max. 20Nm.</p> <p>M12 (902234)</p> <p>M12x120 (902096)</p>
<p>REMEMBER FINAL TIGHTENING</p>	<p>DET 7</p>  <p>902157 or 904747 FREE HOLE</p>	<p>DET 8</p>  <p>902157 or 904747 FREE HOLE</p>

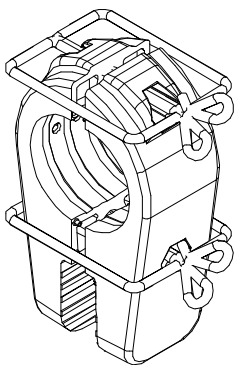
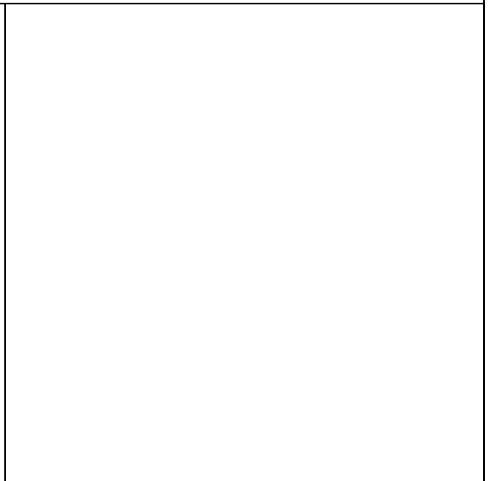
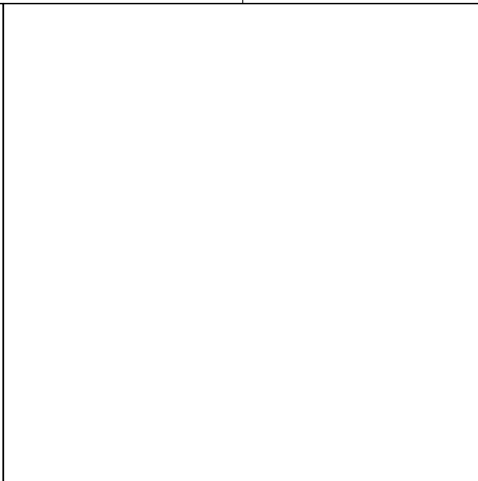
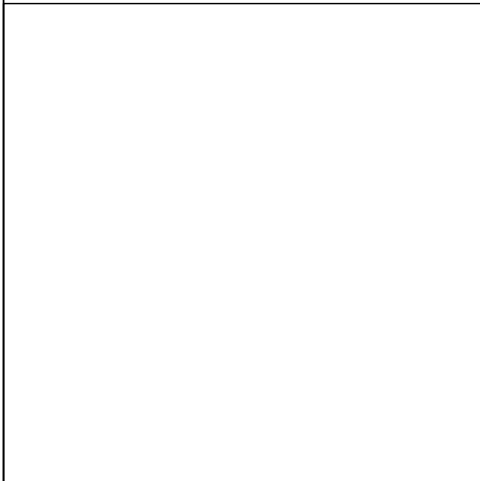
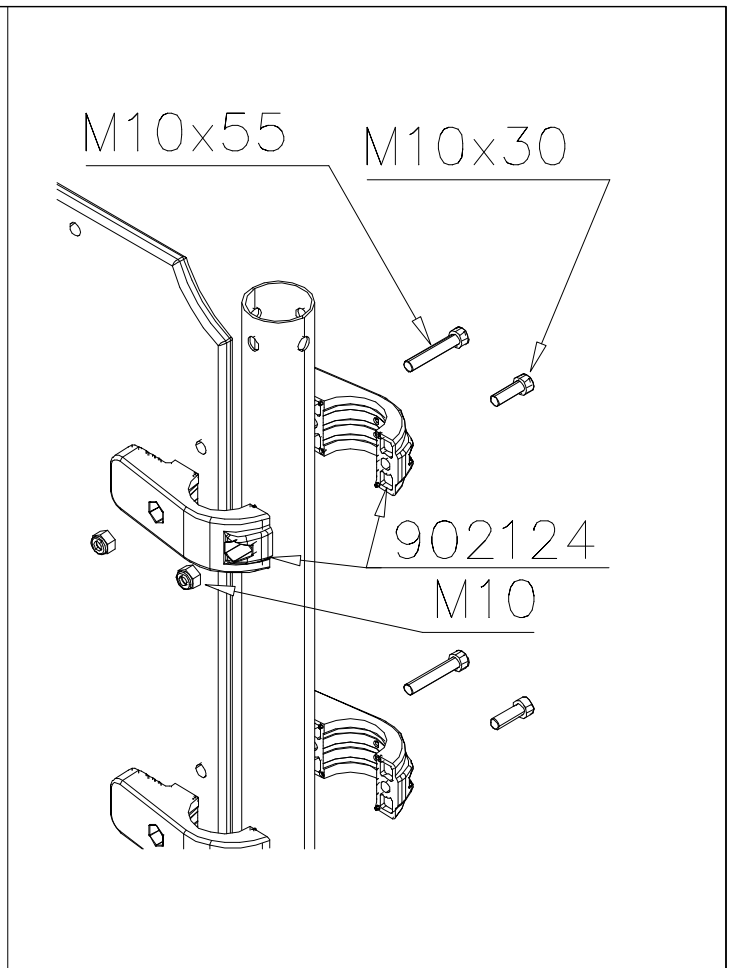
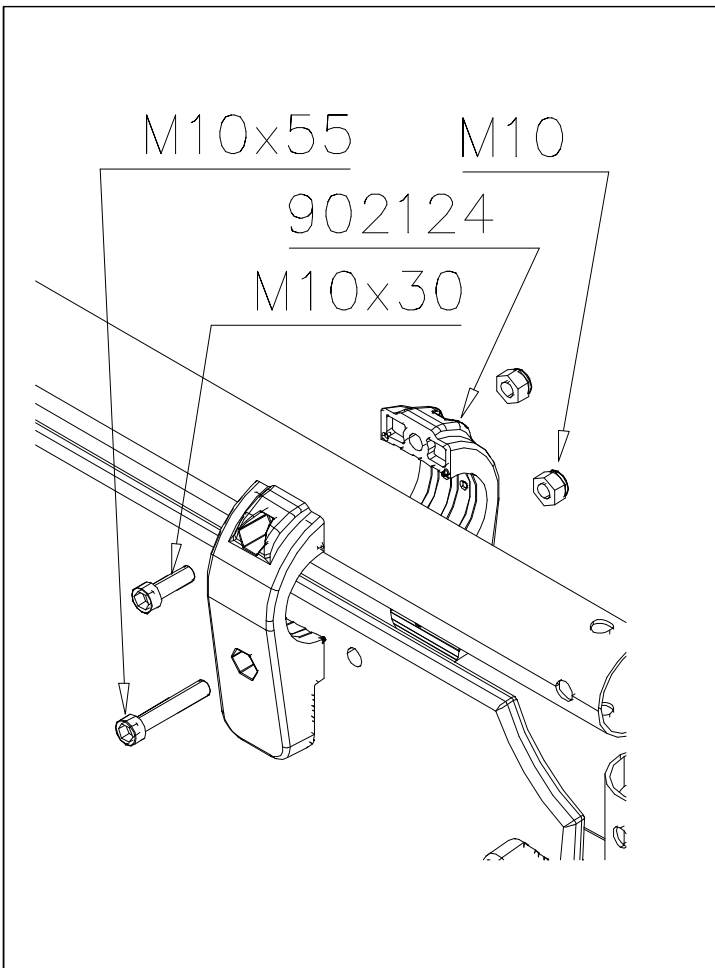
# WINAM GROUP CLIMBING WALL

# 703992

DATE: 7.11.2016



○ 703992	○ 703993	PCS	○ 902124	PCS	○ 902232	PCS	○ 902233	PCS	○ 980161	PCS	○ 905115	PCS
		1		16		13		8		21		5
	D. GREY		150x50x50		M10x55		M10x30		M10		Ø32	
	○ 905090	PCS	○ 901302	PCS	○ 904336	PCS	* ○ 904301	PCS	* ○ 904302	PCS		PCS
		5		5		5		2		3		
	Ø45		Ø20/10.5		Ø6x20		XXL RED		XXL YELLOW			



NOTE:  
Use a wire marked pairs  
of the same junction.

Huom!  
Käytä langalla merkittyä  
paria samassa liitoksessa.

## HUOM!

Otepalan asennus, säätö tai paikan vaihto.

Säätömahdollisuus (90°,180°,270°).

Jos asennetun otepalan suunta- tai paikkaa halutaan muuttaa.

Irrota otepalan kiinnityspultti ja otepala, käännä tai vaihda.

Siirrä tarvittaessa tappi oikeaan upotusreikään. Asenna avatut osat paikoilleen ja lopuksi kiinnitä muovitulppa Ø30 paikoilleen kaikkiin otekokoonpanoihin.

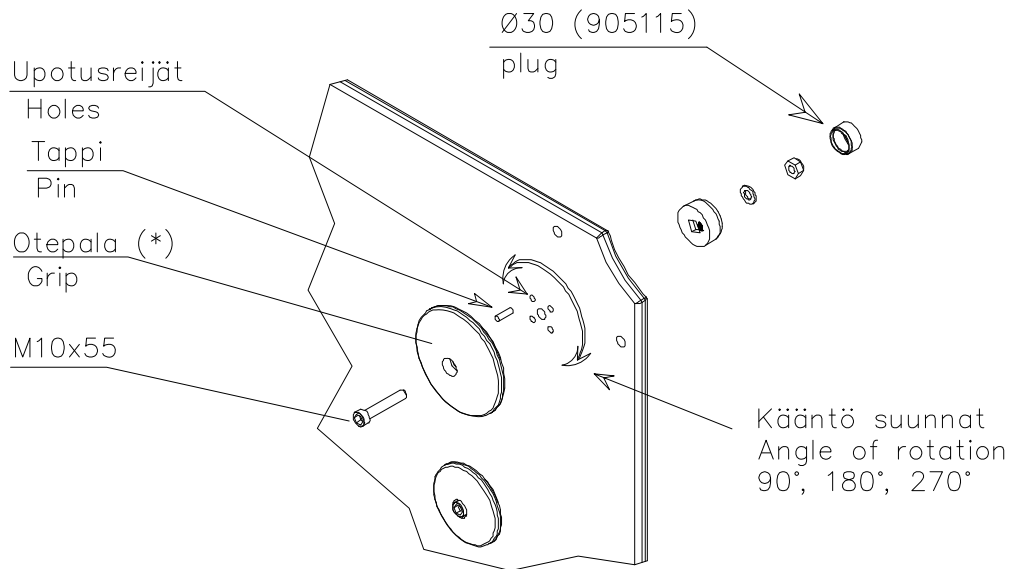
## NOTE:

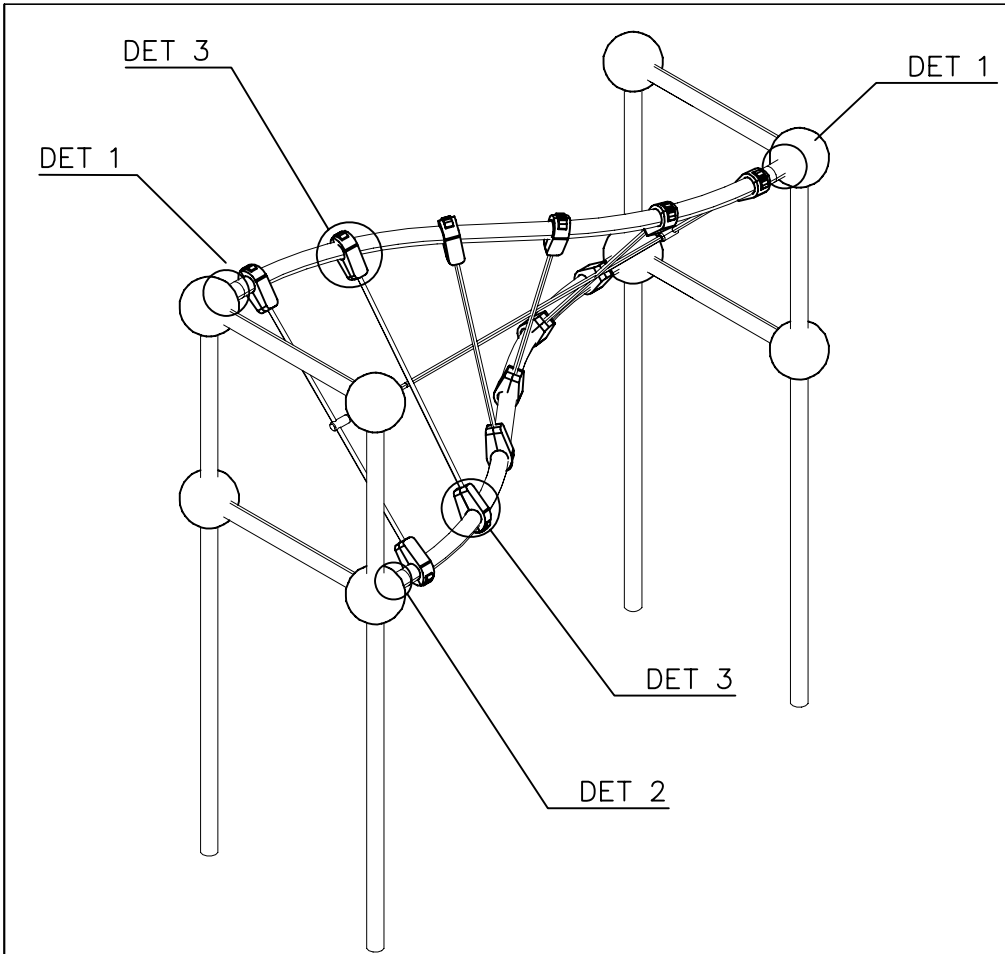
Grip positions and angles are adjustable (90°,180°270°).

Grip can be repositioned by removing the fastening bolt and pulling the grip off.

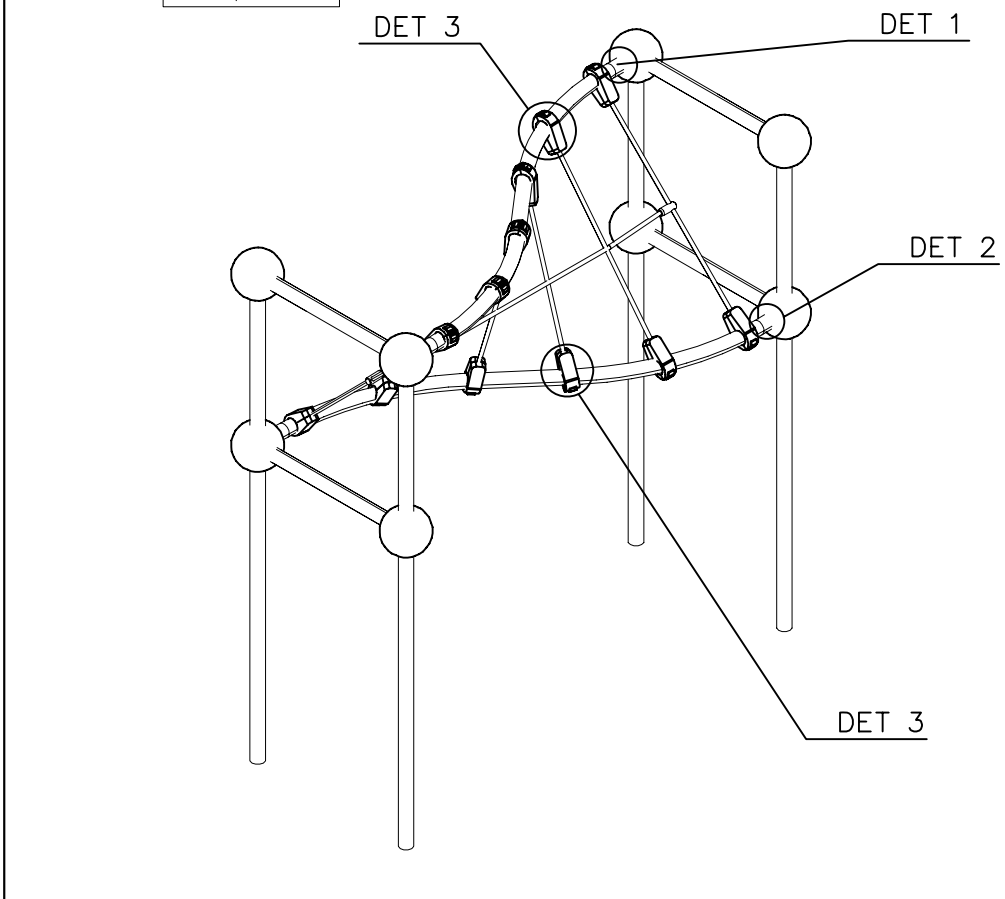
Securing pin can be repositioned when angle is changed.


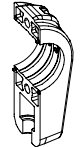
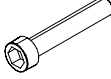
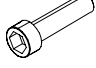
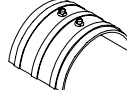

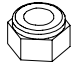
After the parts are reassembled. Finish the assembly by fastening the cover plugs (Ø30).





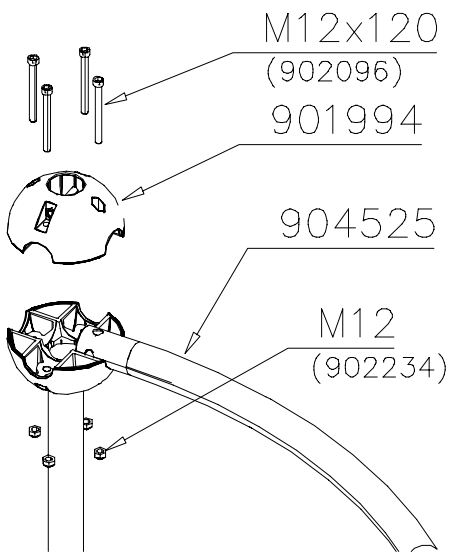
OR / TAI



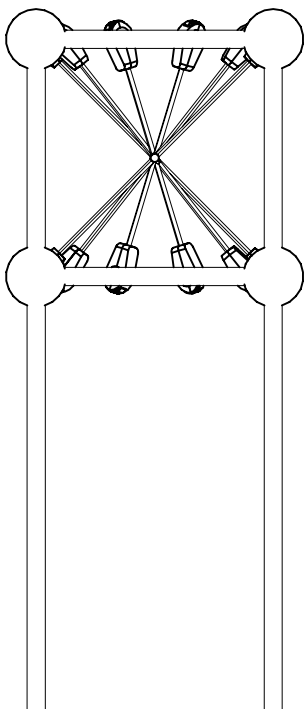
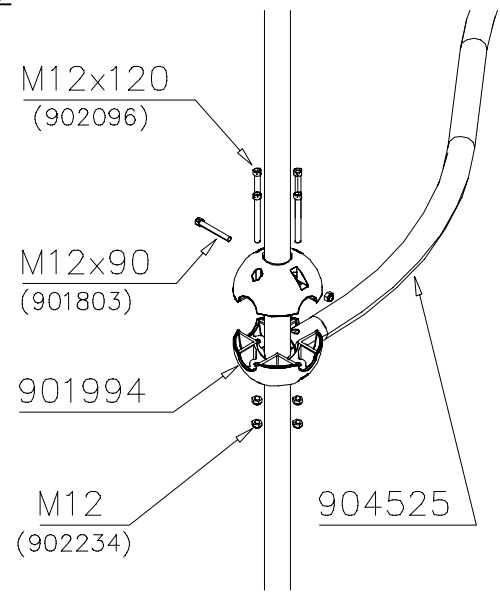
① 704064	PCS	② 902195	PCS
	1		24
		150x50x50	
③ 902232	PCS	④ 902233	PCS
	12		12
M10x55		M10x30	
⑤ 902273	PCS	⑥ 904525	PCS
	24		2
		Ø60x2.5	
⑦ 980161	PCS		PCS
	24		
M10			
	PCS		PCS
	PCS		PCS
	PCS		PCS



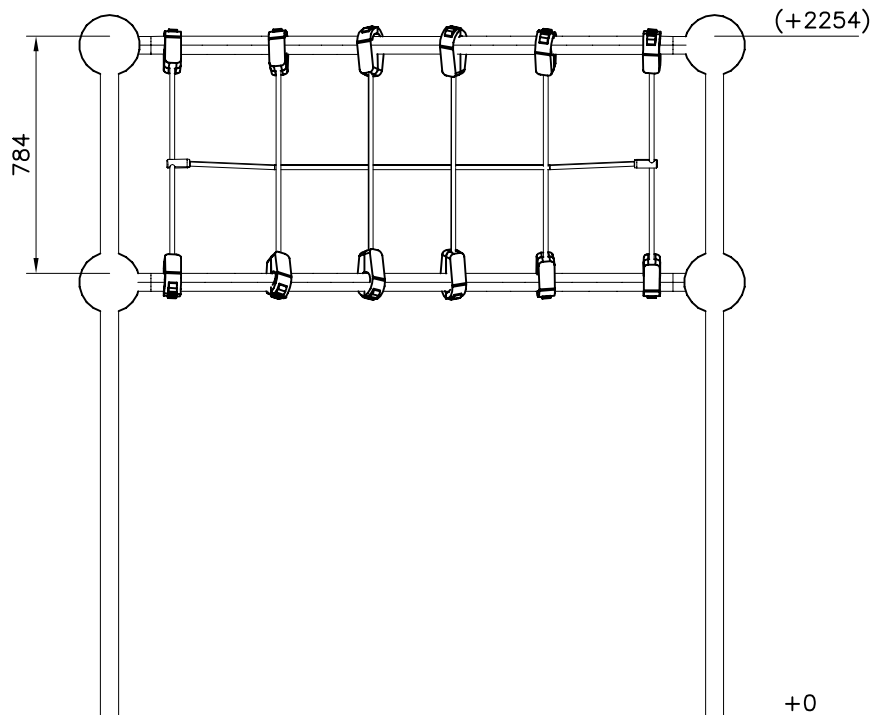
DET 1



DET 2



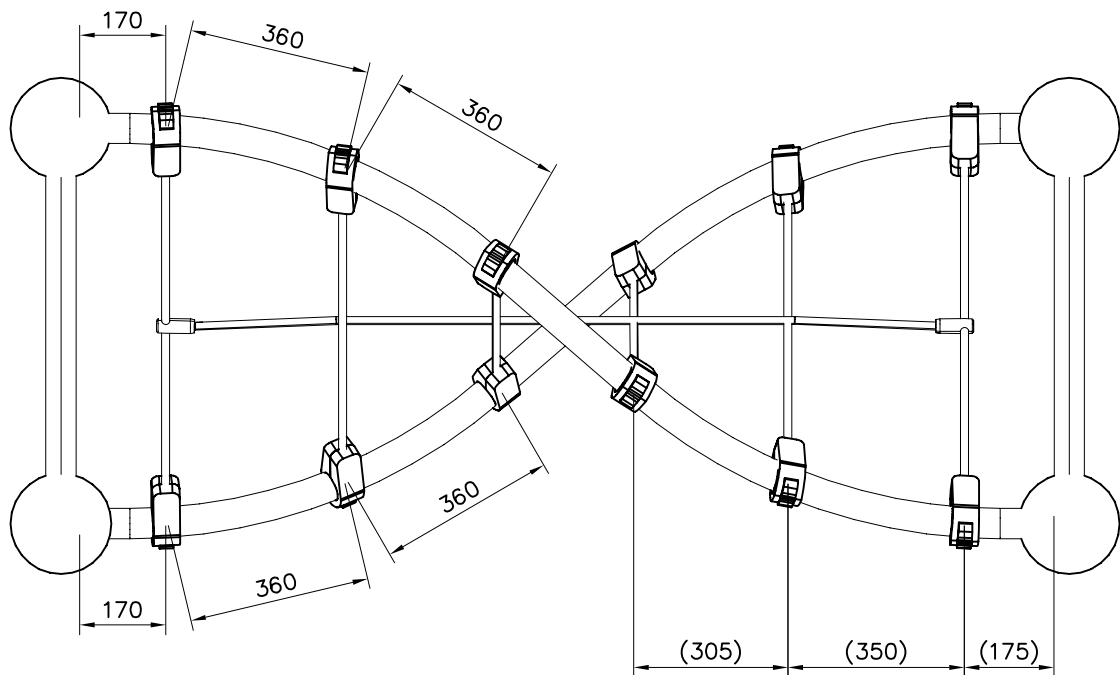
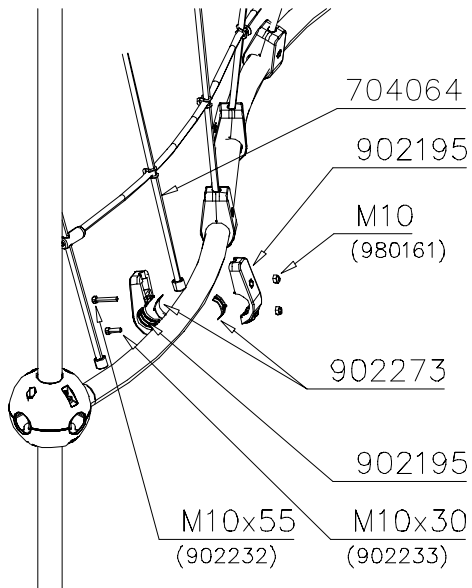
784

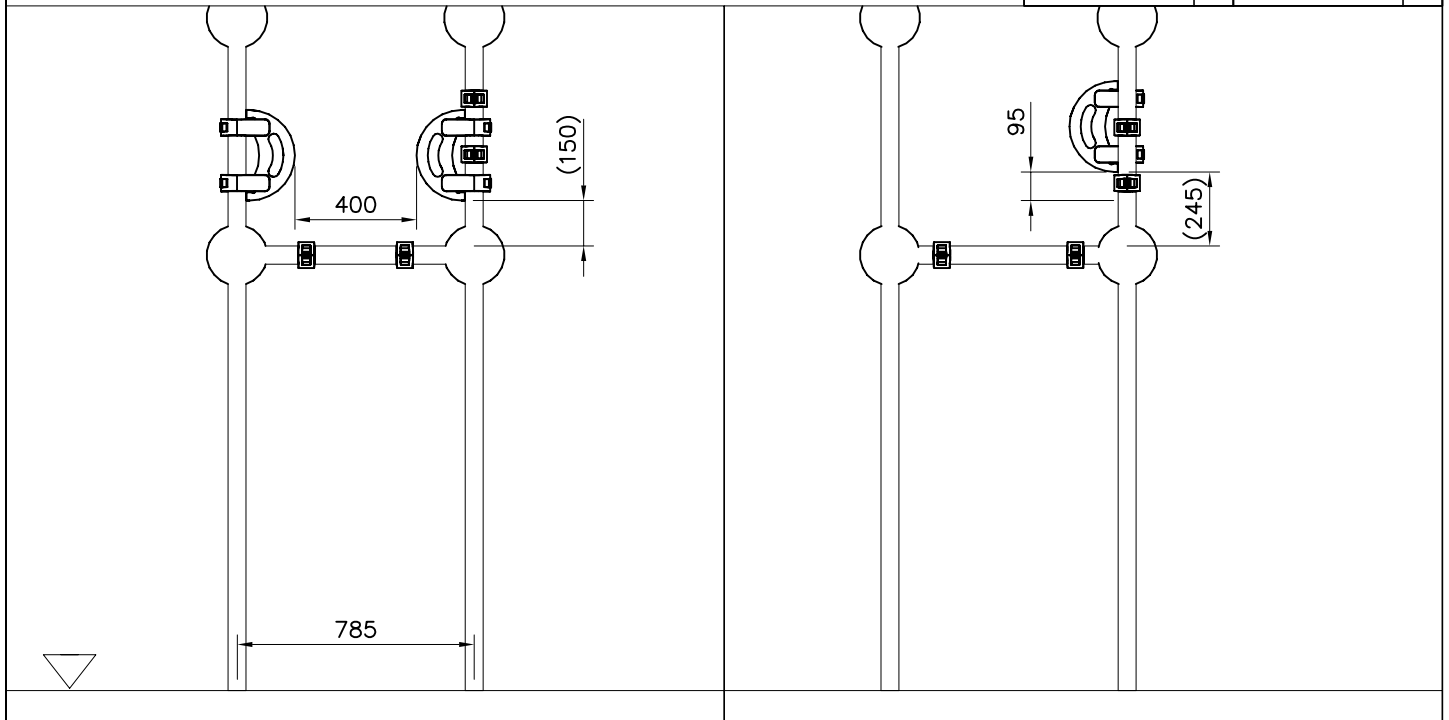
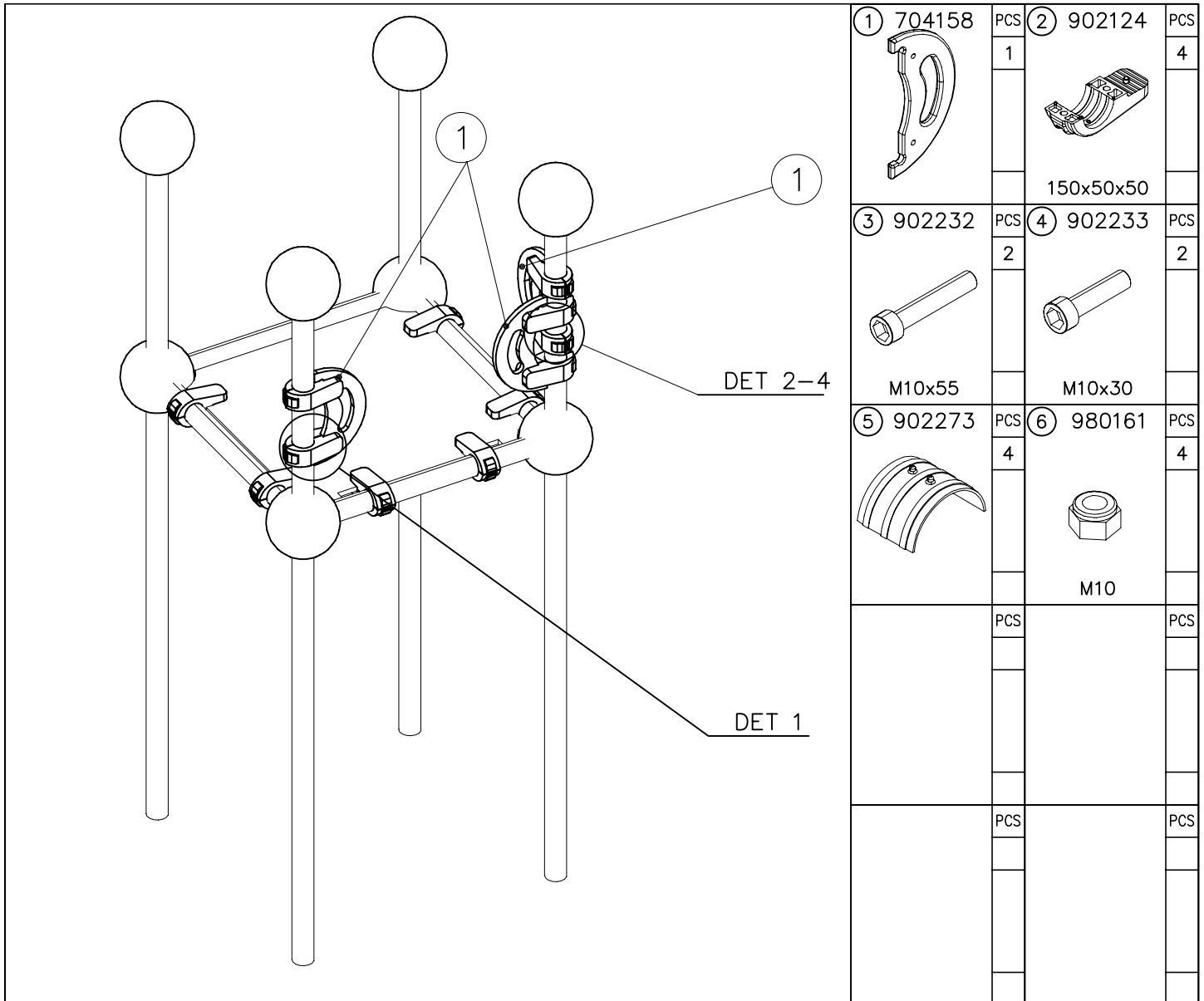


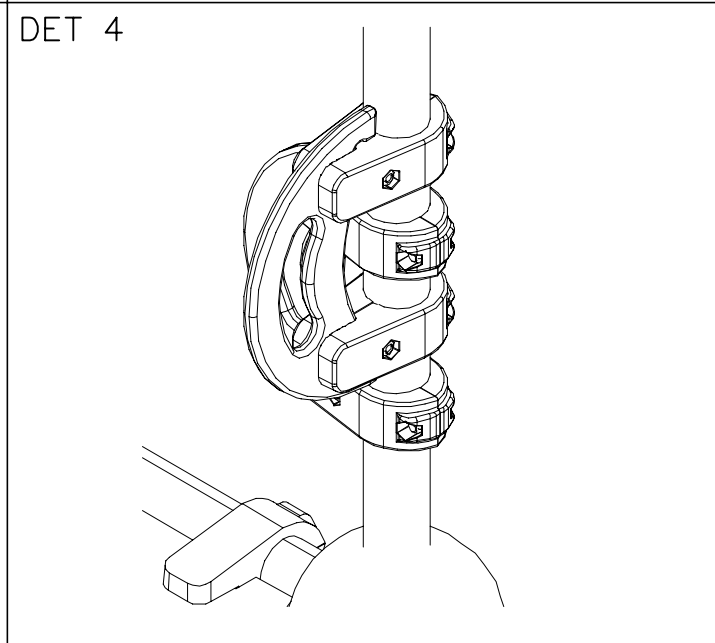
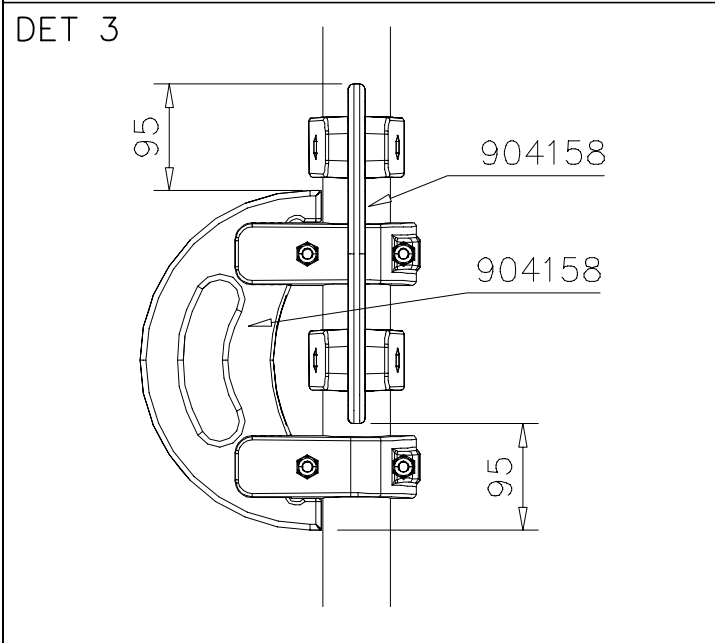
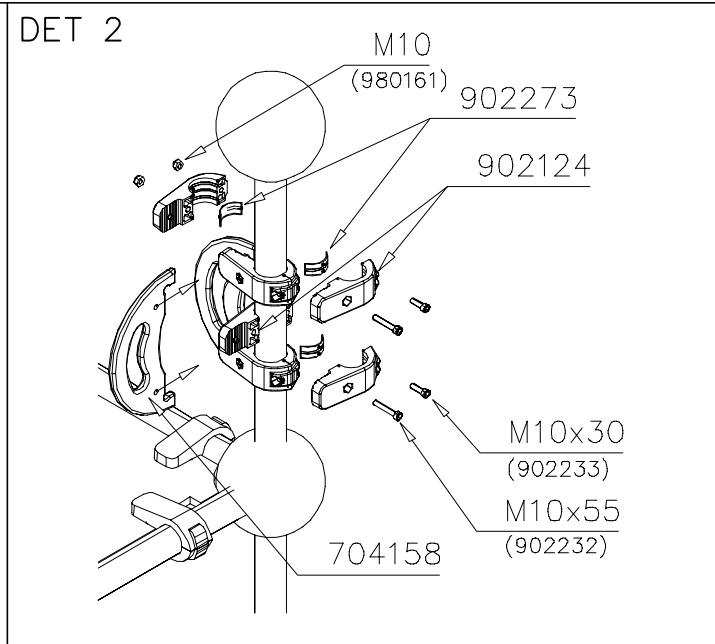
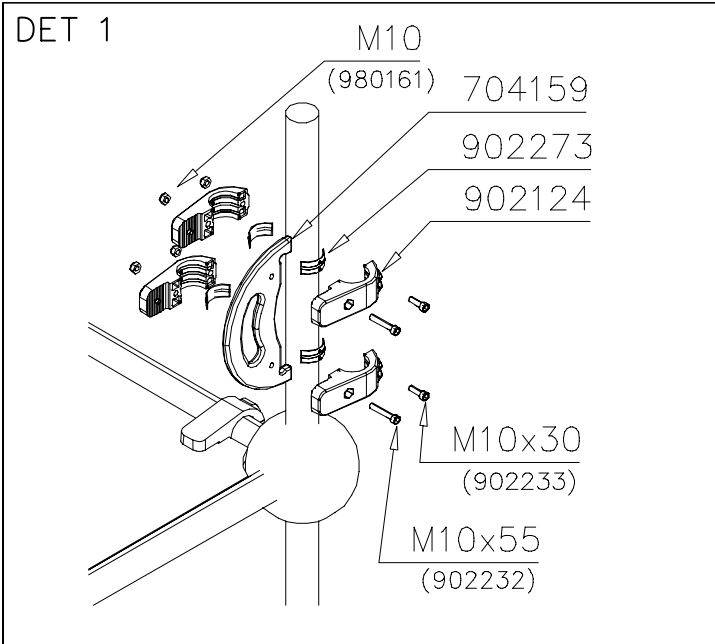
2000

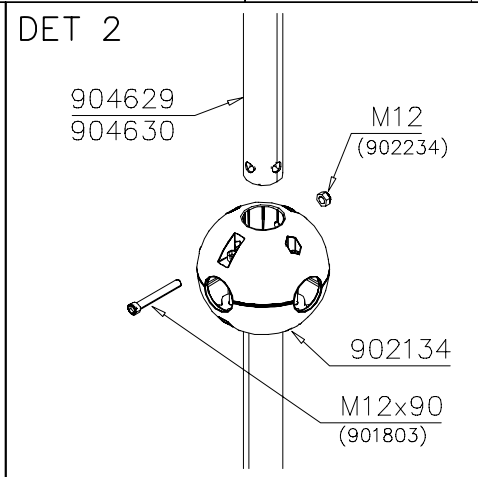
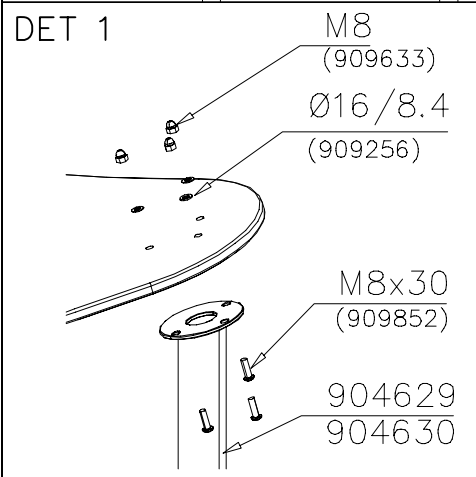
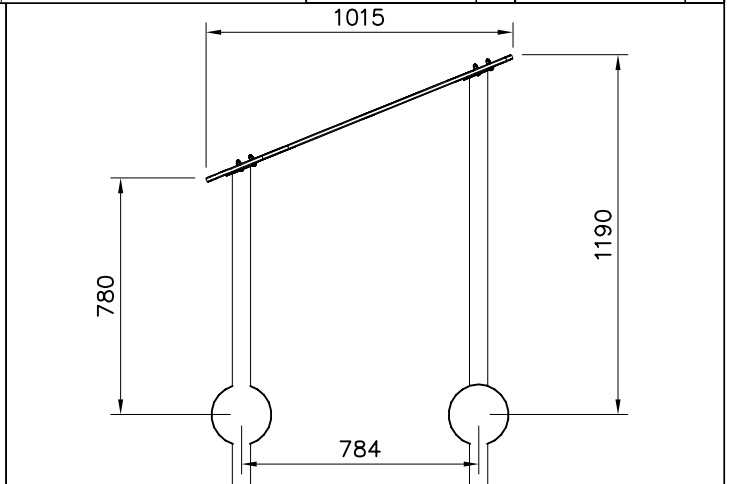
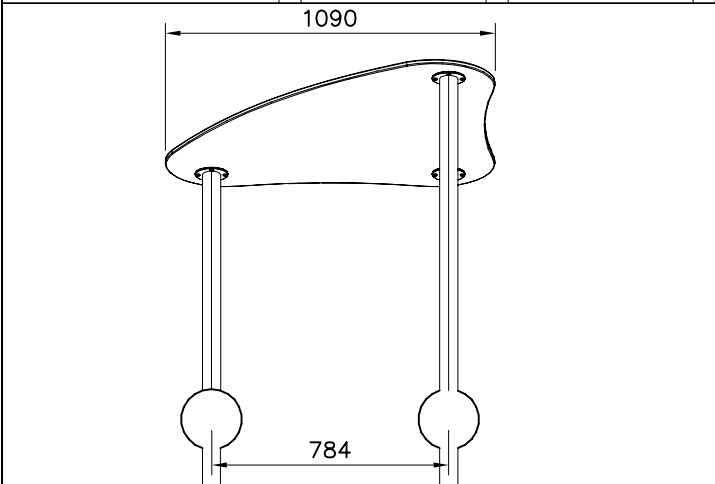
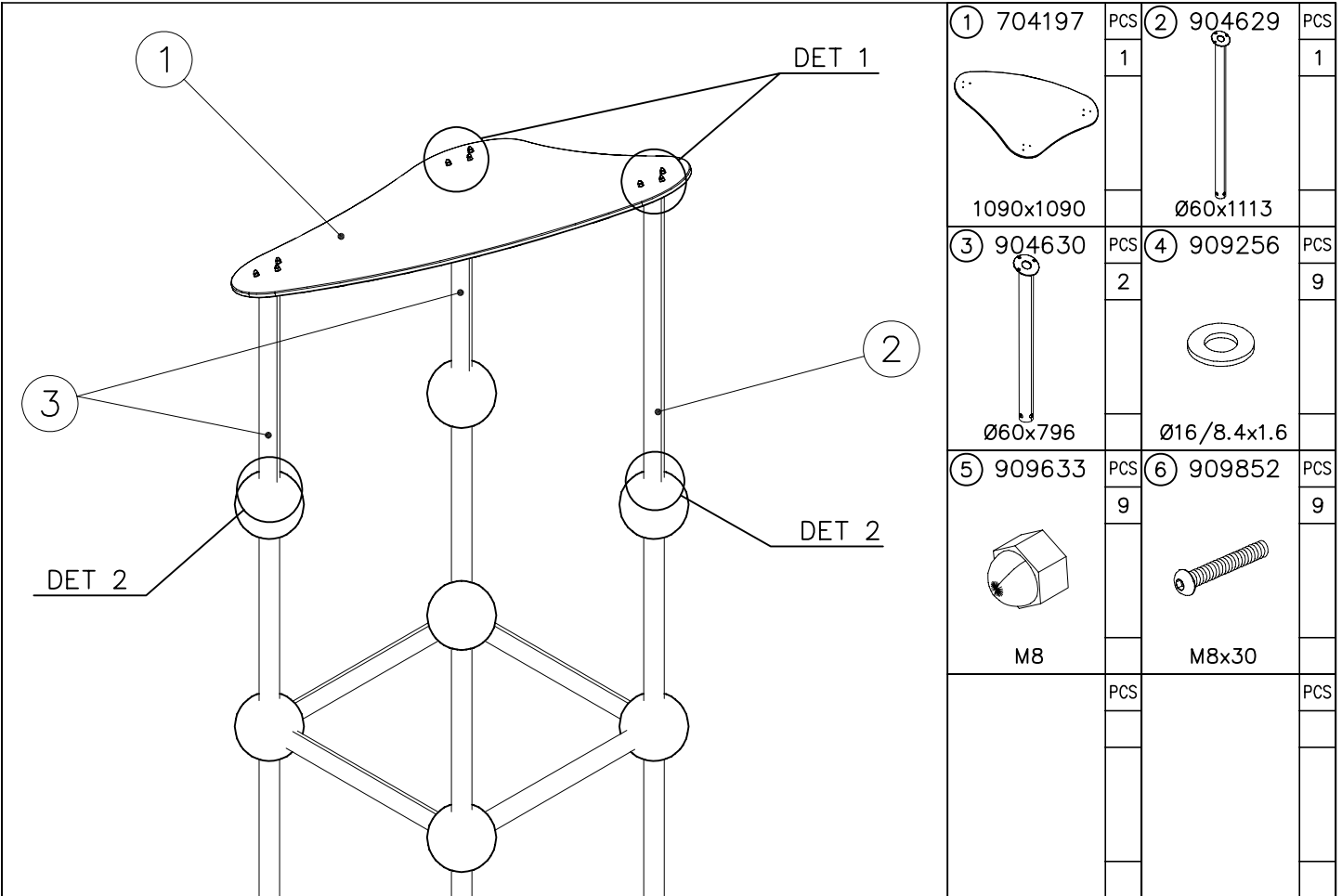
+0

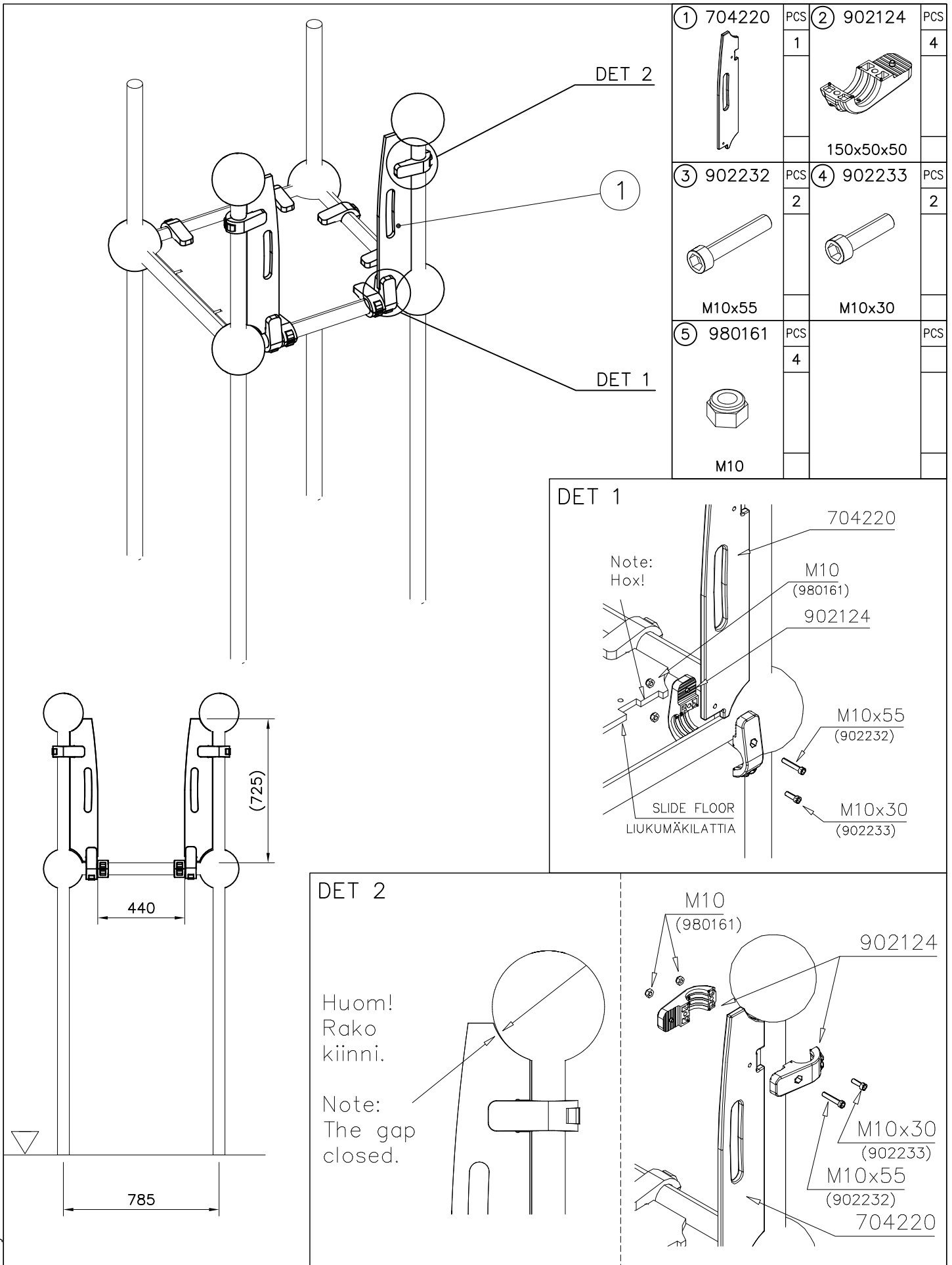
DET 3











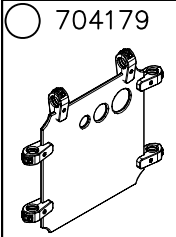
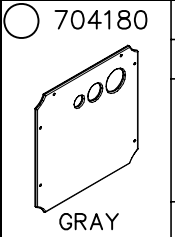
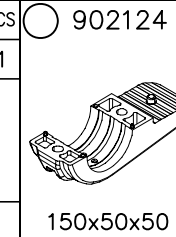
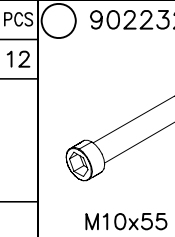
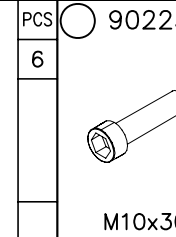
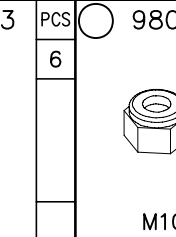
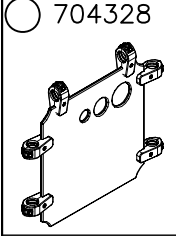
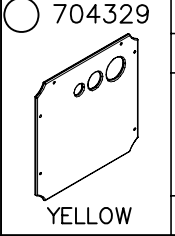
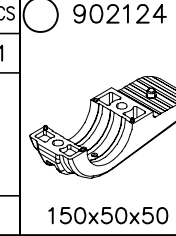
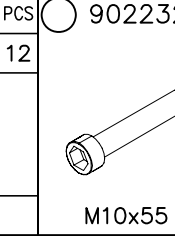
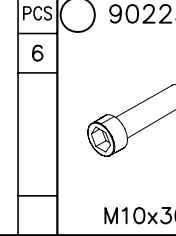
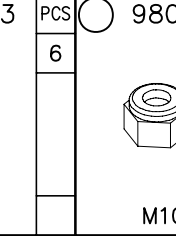
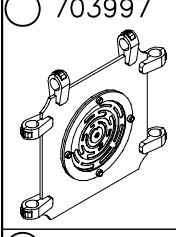
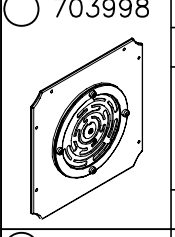
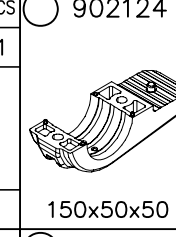
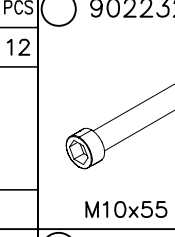
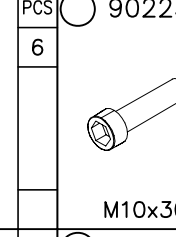
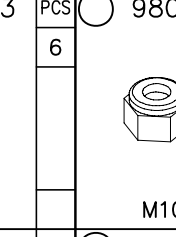
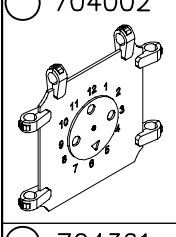
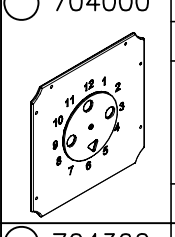
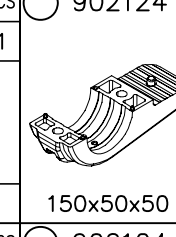
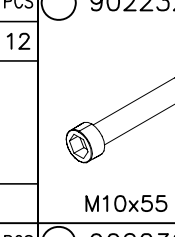
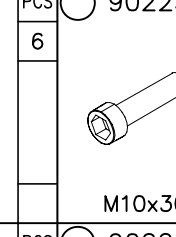
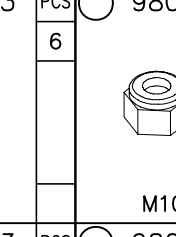
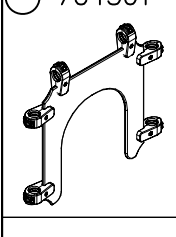
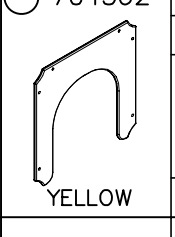
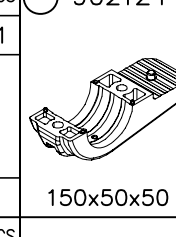
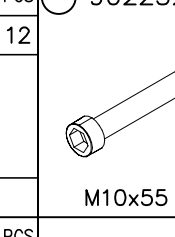
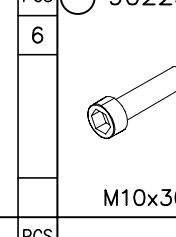
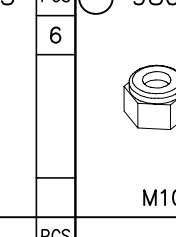
# WINAM GROUP

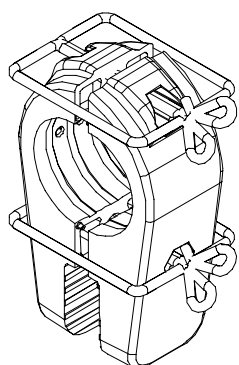
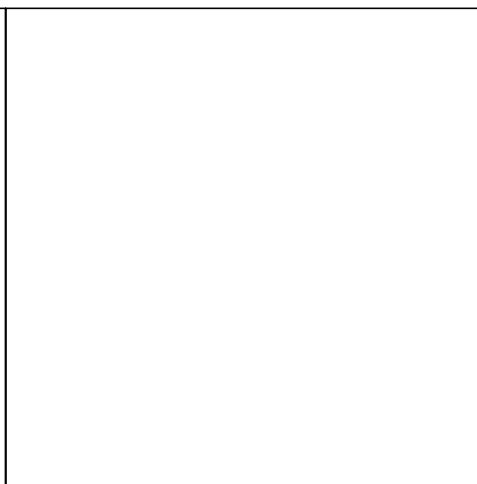
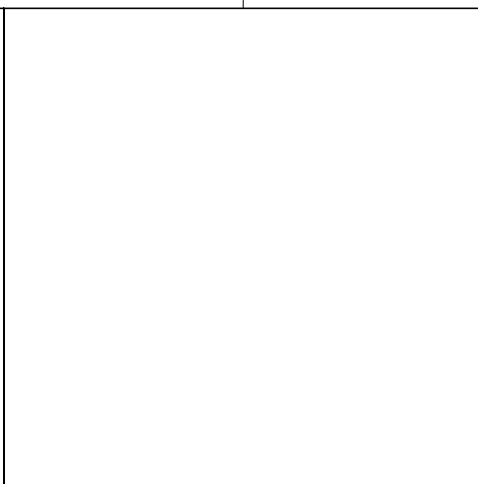
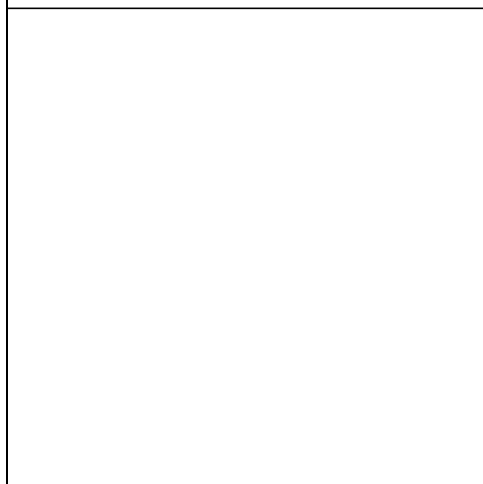
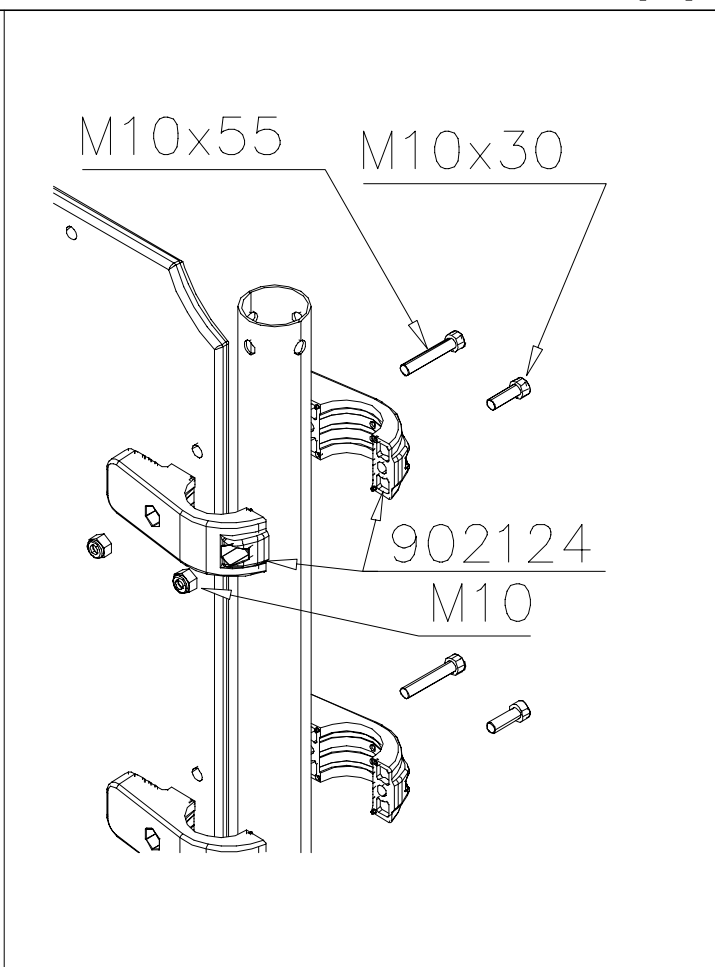
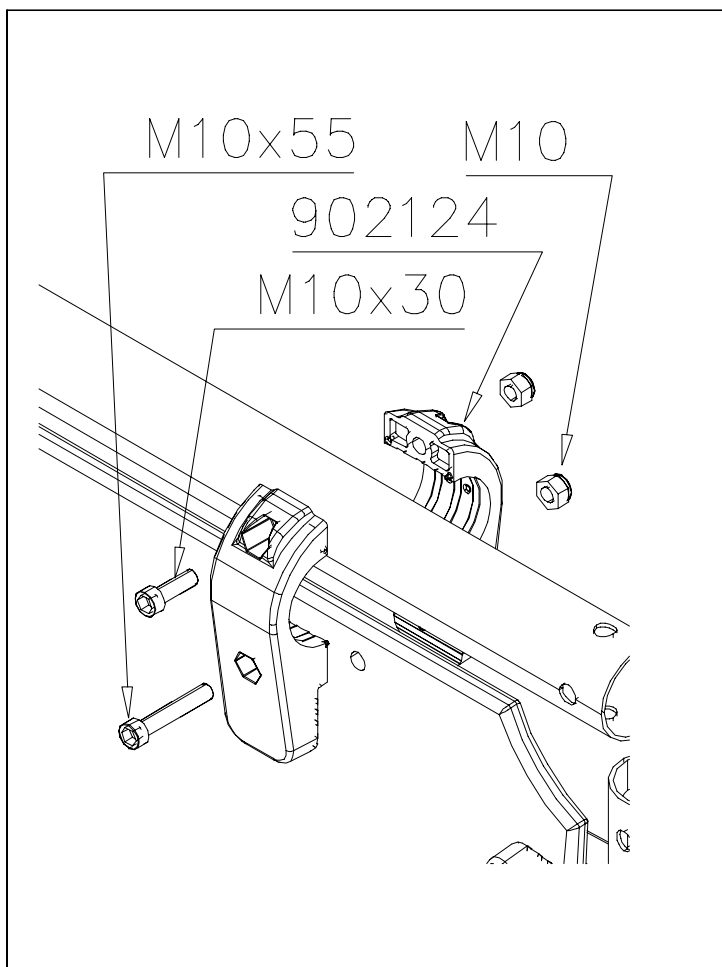
## WALL 2

# CLOXX

DATE: 7.5.2012



 704179	 704180 GRAY	PCS 1	 902124 150x50x50	PCS 12	 902232 M10x55	PCS 6	 902233 M10x30	PCS 6	 980161 M10	PCS 12		PCS
 704328	 704329 YELLOW	PCS 1	 902124 150x50x50	PCS 12	 902232 M10x55	PCS 6	 902233 M10x30	PCS 6	 980161 M10	PCS 12		PCS
 703997	 703998	PCS 1	 902124 150x50x50	PCS 12	 902232 M10x55	PCS 6	 902233 M10x30	PCS 6	 980161 M10	PCS 12		PCS
 704002	 704000	PCS 1	 902124 150x50x50	PCS 12	 902232 M10x55	PCS 6	 902233 M10x30	PCS 6	 980161 M10	PCS 12		PCS
 704361	 704362 YELLOW	PCS 1	 902124 150x50x50	PCS 12	 902232 M10x55	PCS 6	 902233 M10x30	PCS 6	 980161 M10	PCS 12		PCS
		PCS		PCS		PCS		PCS		PCS		PCS
		PCS		PCS		PCS		PCS		PCS		PCS
		PCS		PCS		PCS		PCS		PCS		PCS



NOTE:  
Use a wire marked pairs  
of the same junction.

Huom!  
Käytä langalla merkittyä  
paria samassa liitoksessa.