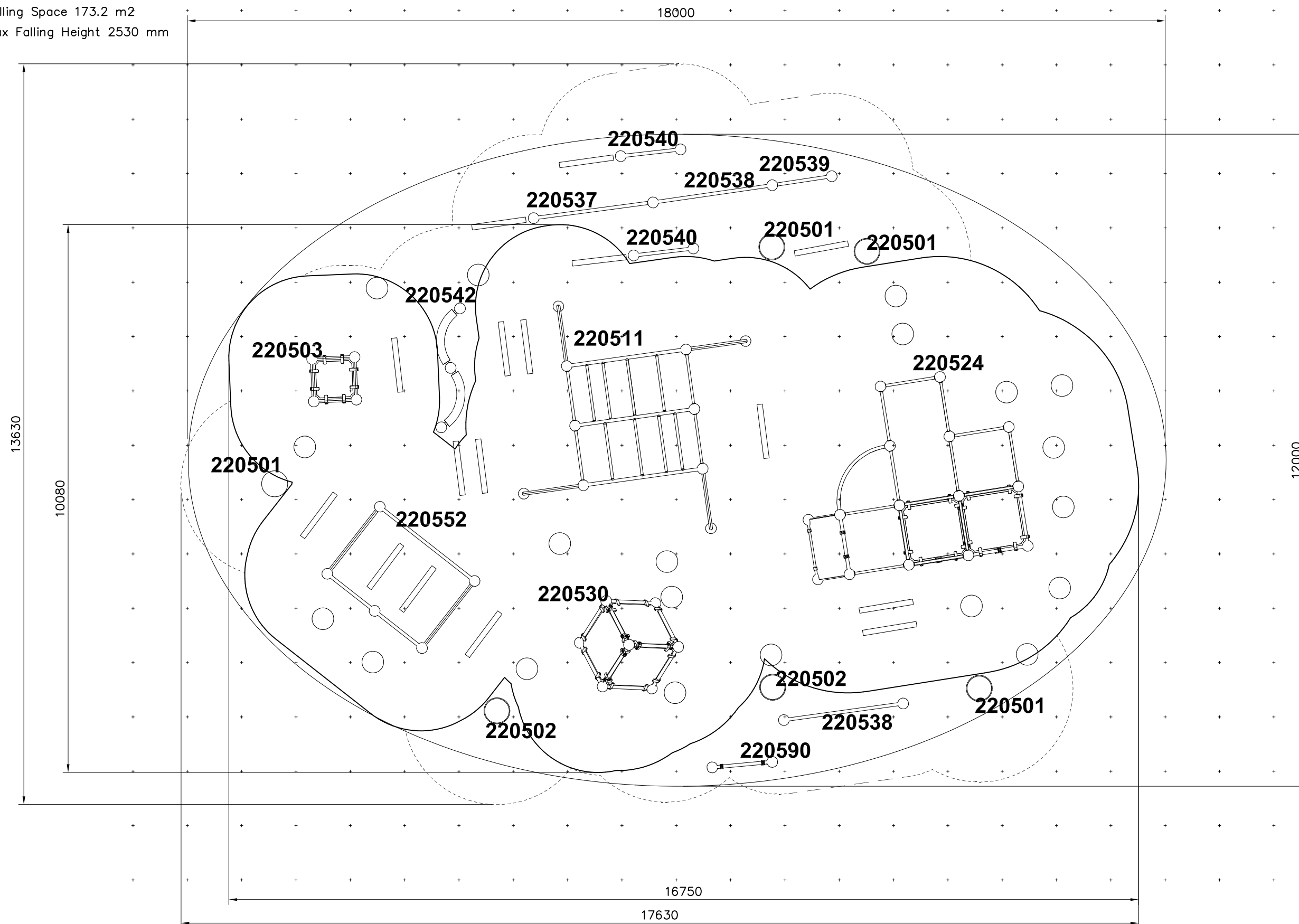
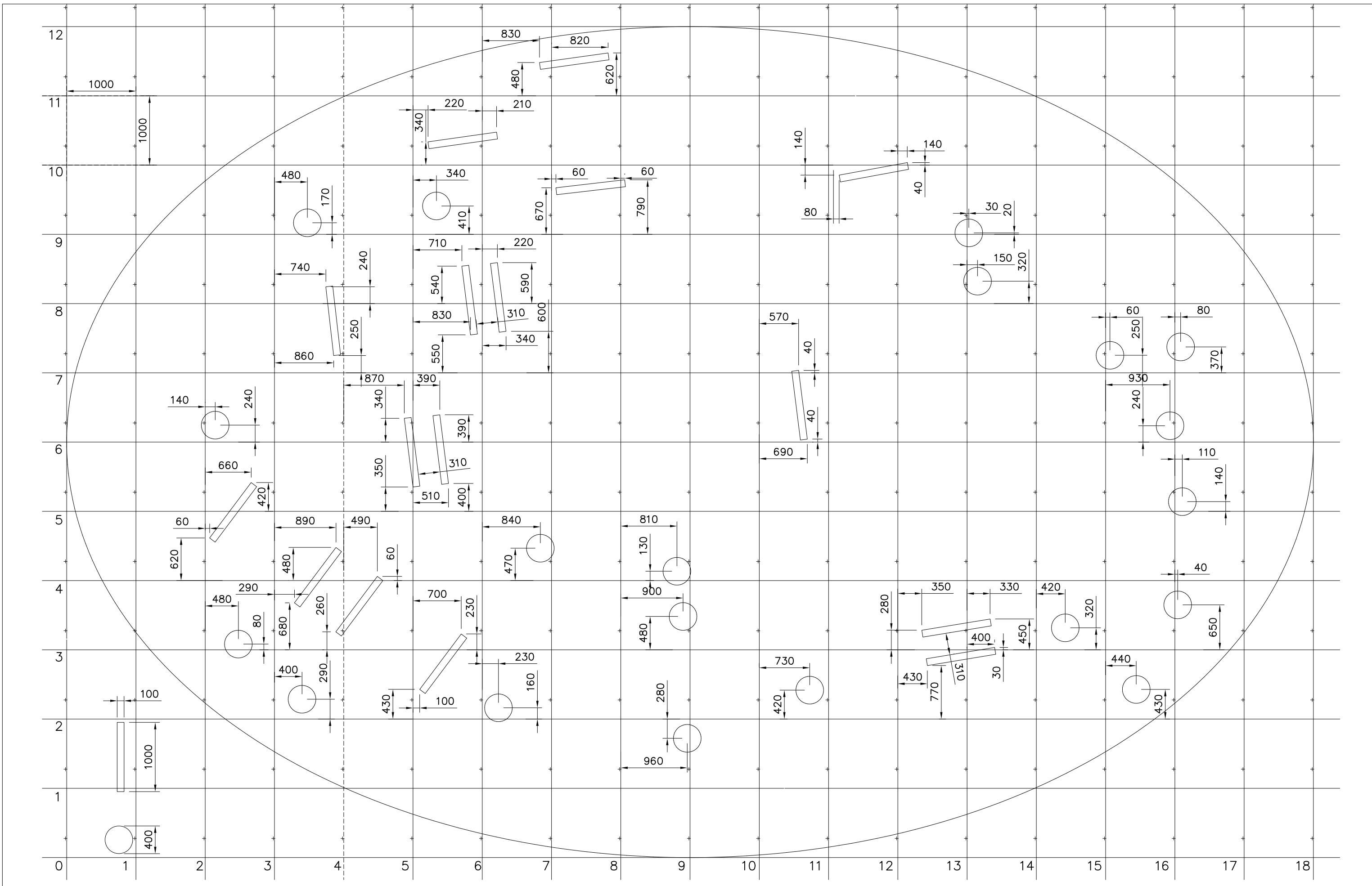
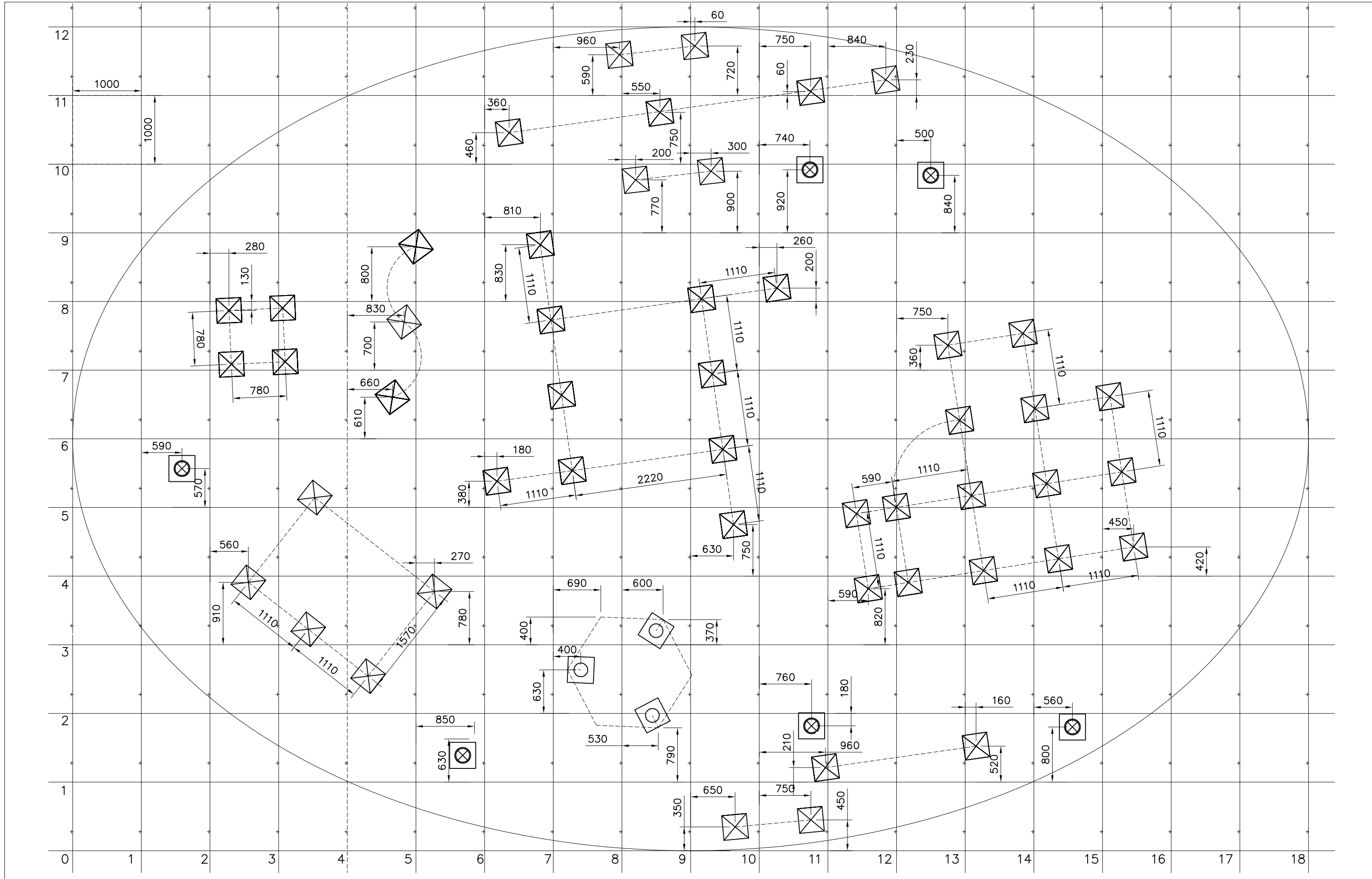


— EN/AS Impact Area 123.9 m²
- - - Falling Space 173.2 m²
Max Falling Height 2530 mm







WINAM GROUP

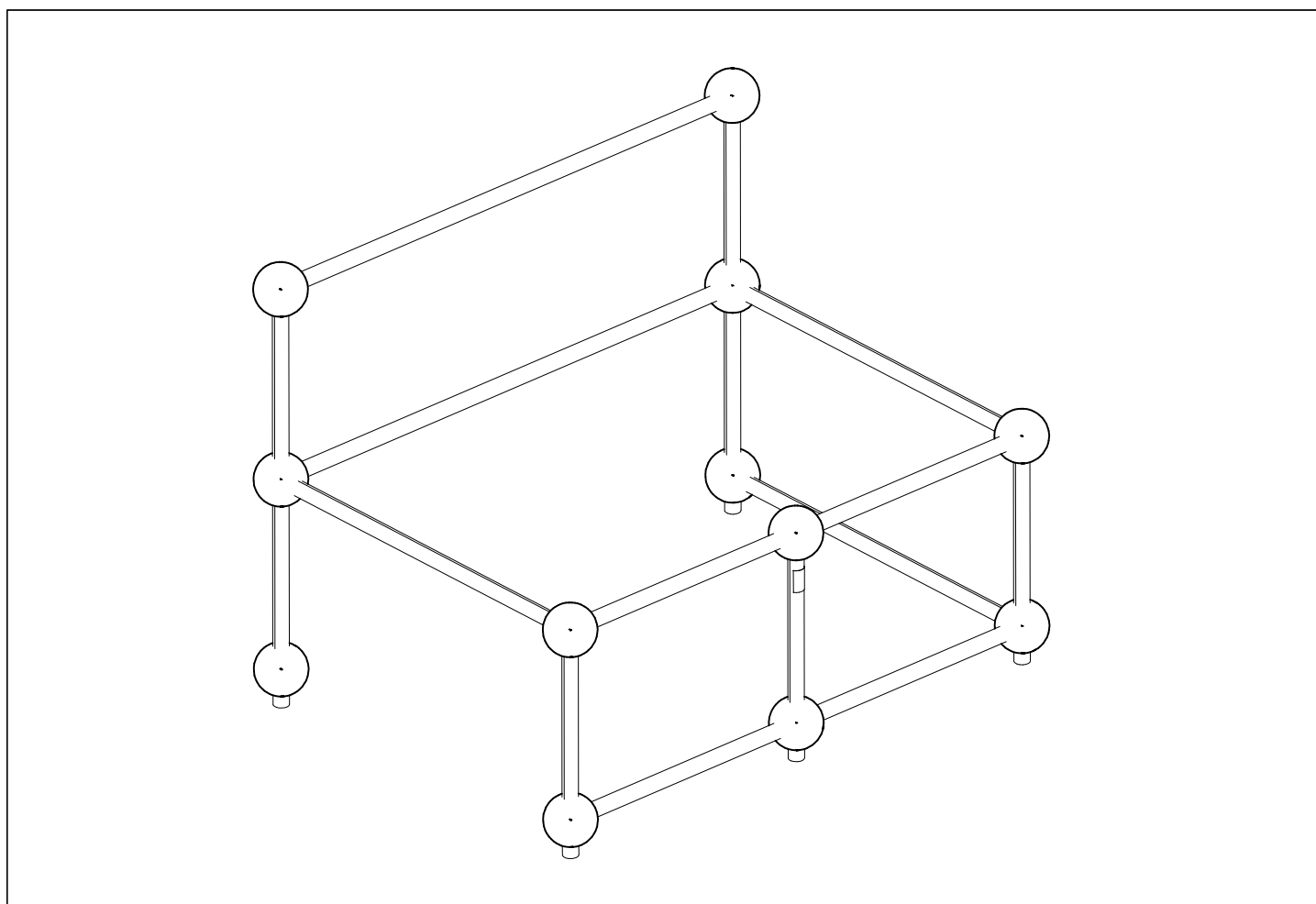
PARKOUR



ASENNUSOHJE
MONTERINGSANSVISNING
INSTALLATION INSTRUCTION
AUFBAUANLEITUNG
NOTICE D'INSTALLATION

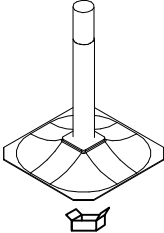


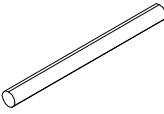
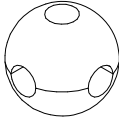

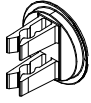
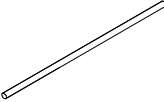

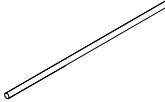
DATE: 24.2.2015

220552

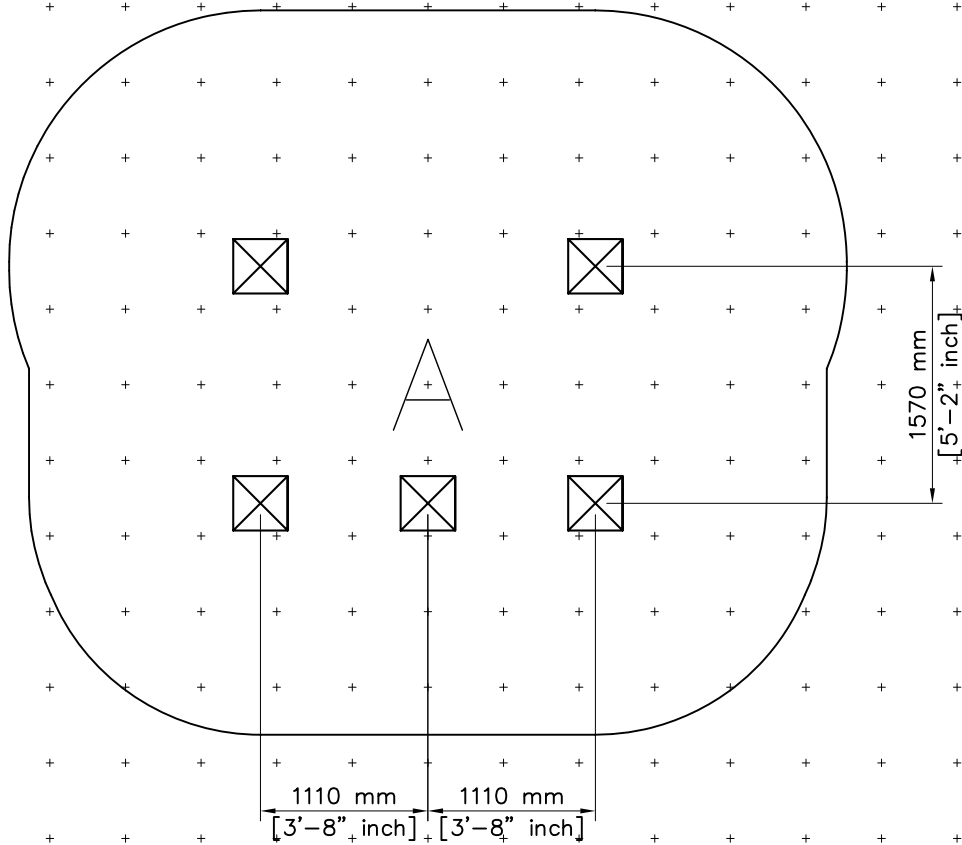
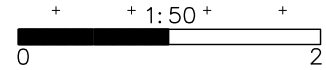


PARKOUR

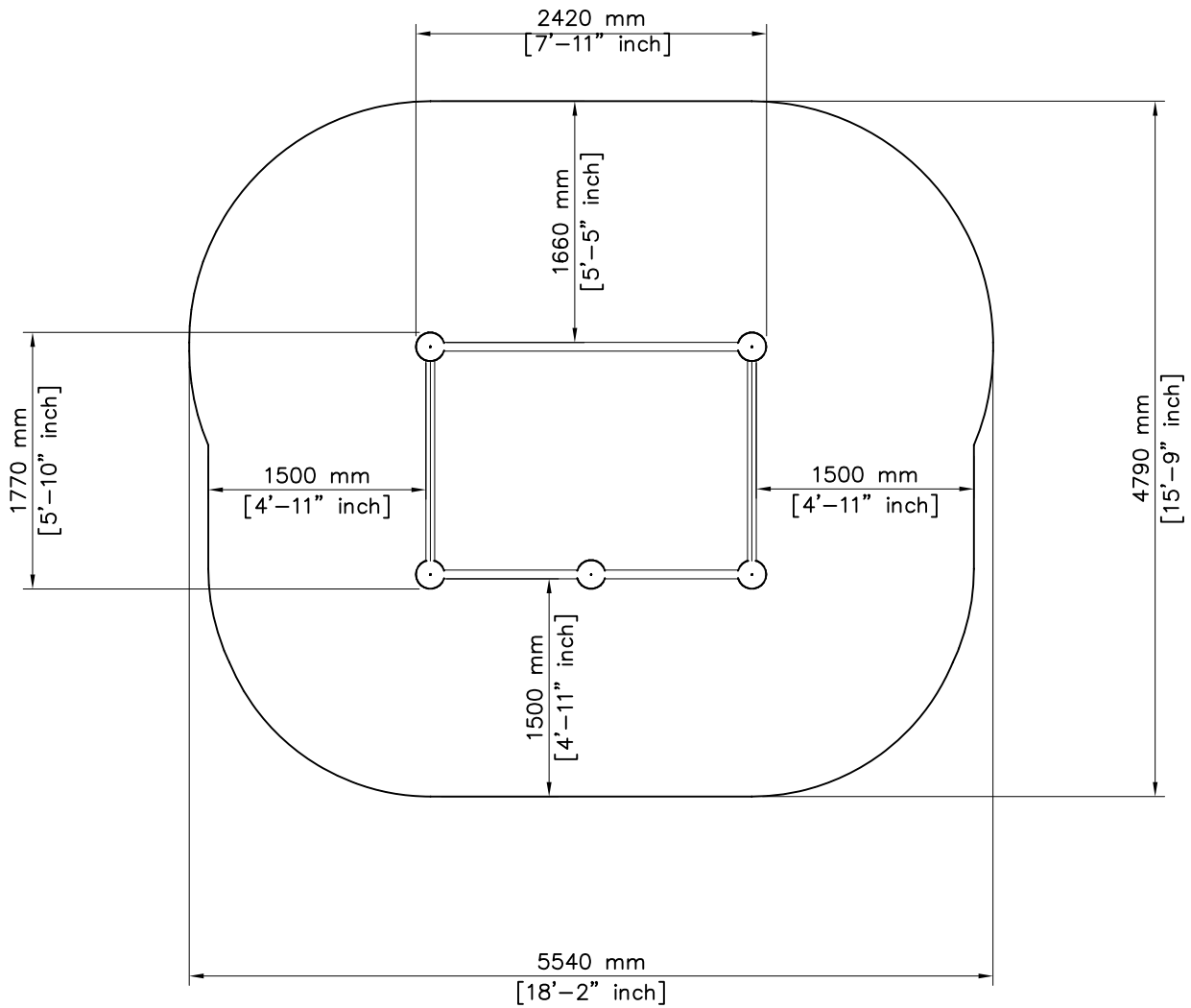
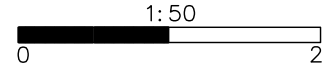
DATE: 24.2.2015

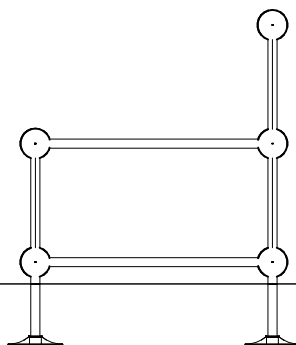
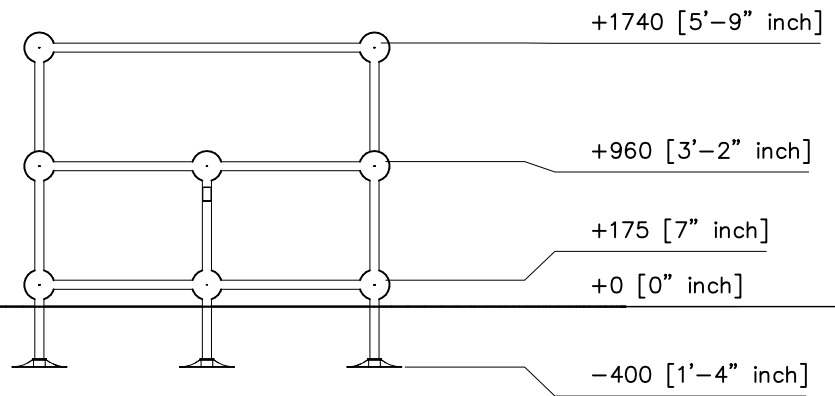
<p>701985</p>  <p>PCS 5</p>	<p>702341</p>  <p>PCS 1</p> <p>90x50</p>	<p>901991</p>  <p>PCS 2</p> <p>L 1493</p>	<p>902022</p>  <p>PCS 3</p> <p>L 710</p>	<p>902134</p>  <p>PCS 12</p> <p></p>	<p>904747</p>  <p>PCS 35</p> <p>60x60x2</p>
<p>904130</p>  <p>PCS 2</p> <p>L 2148</p>	<p>904184</p>  <p>PCS 3</p> <p>L 1493</p>	<p>904389</p>  <p>PCS 2</p> <p>L 2148</p>			

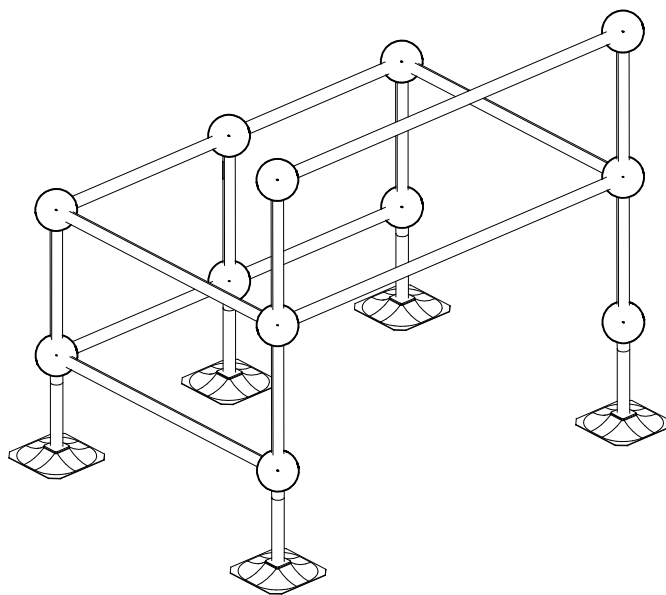
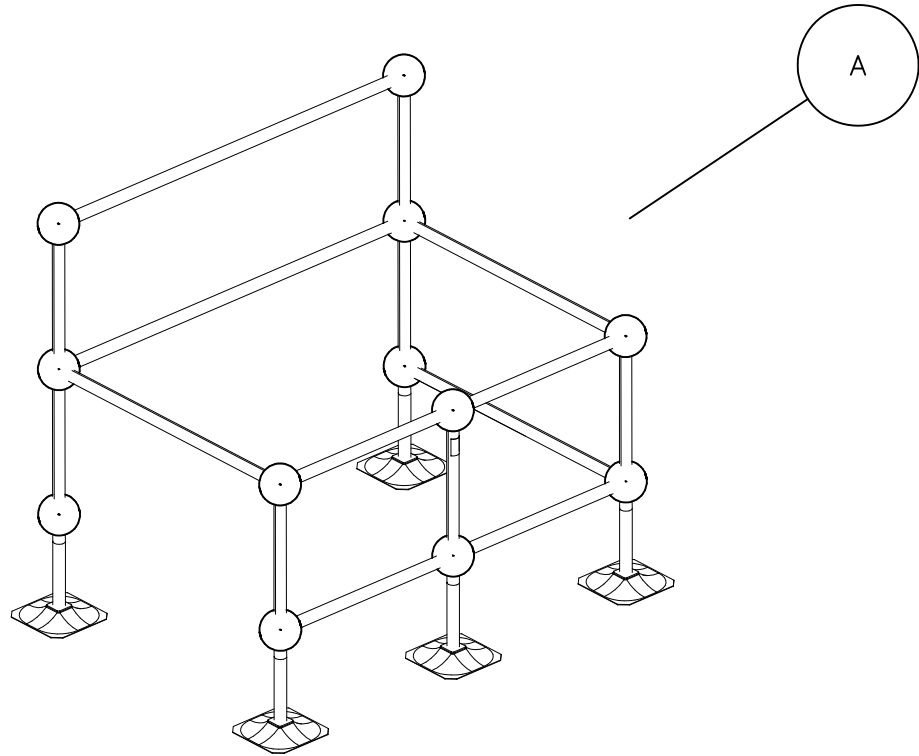
—+ EN/AS Impact Area 23.6 m² (254 sq ft)
Grid size = 500mm (20" in)
- - - Falling Space 23.6 m² (254 sq ft)

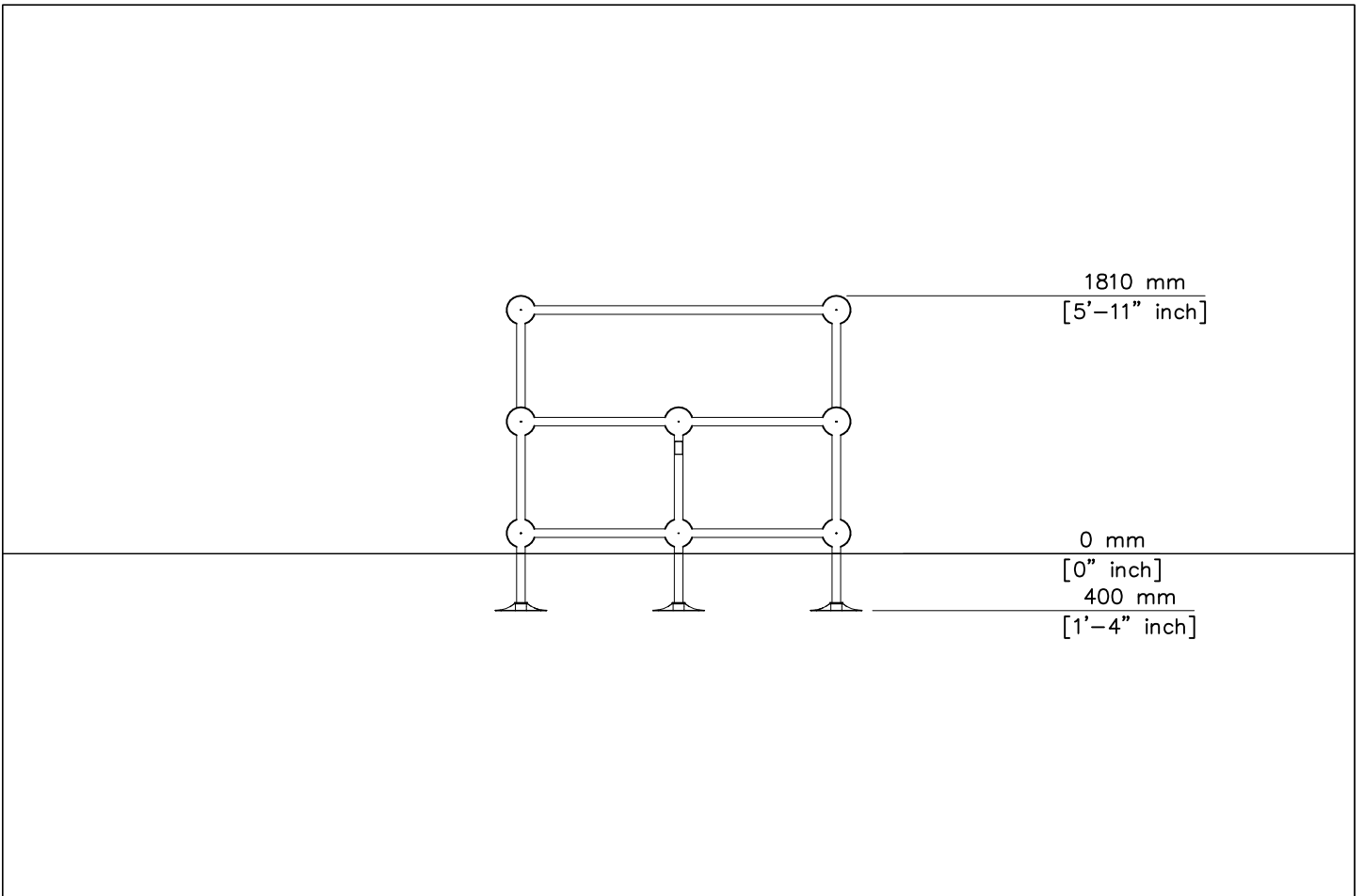
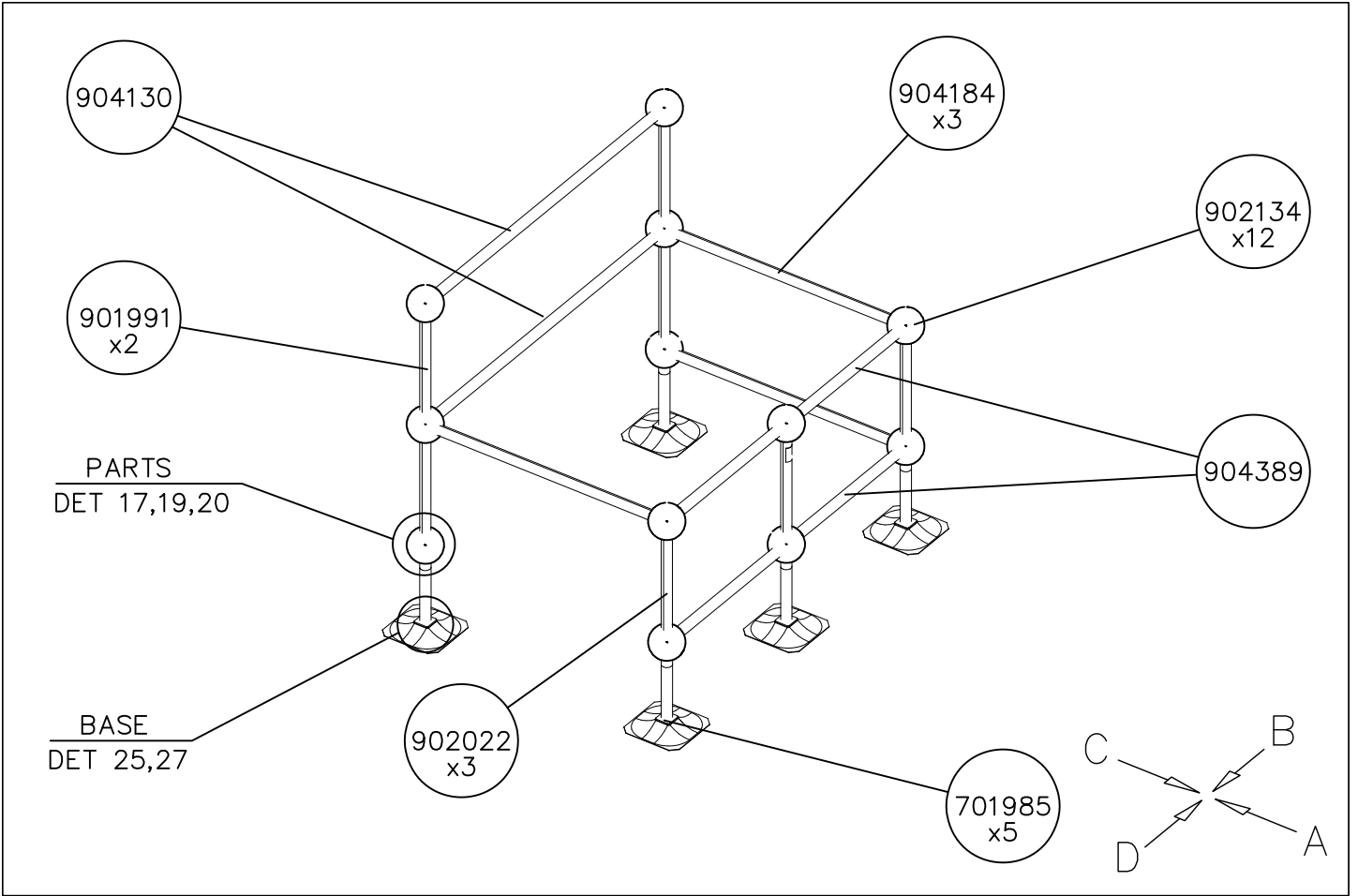


- EN/AS Impact Area 23.6 m² (254 sq ft)
- Falling Space 23.6 m² (254 sq ft)
- Max Falling Height 1745 mm (5'-9" in)



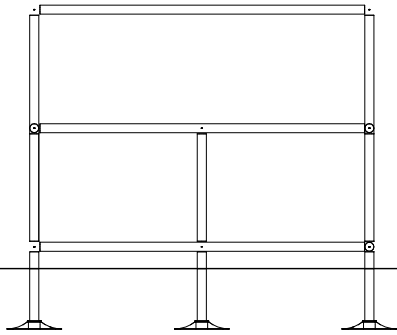




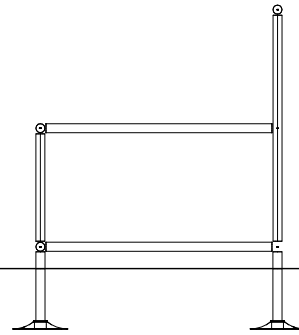


1:50

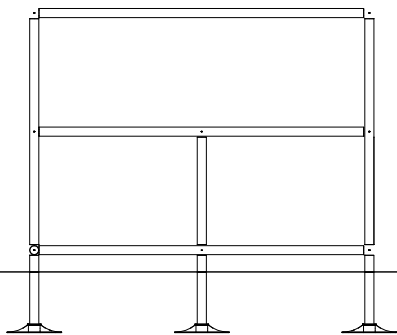
A



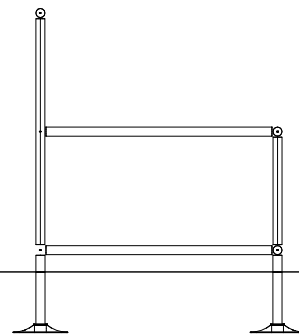
B



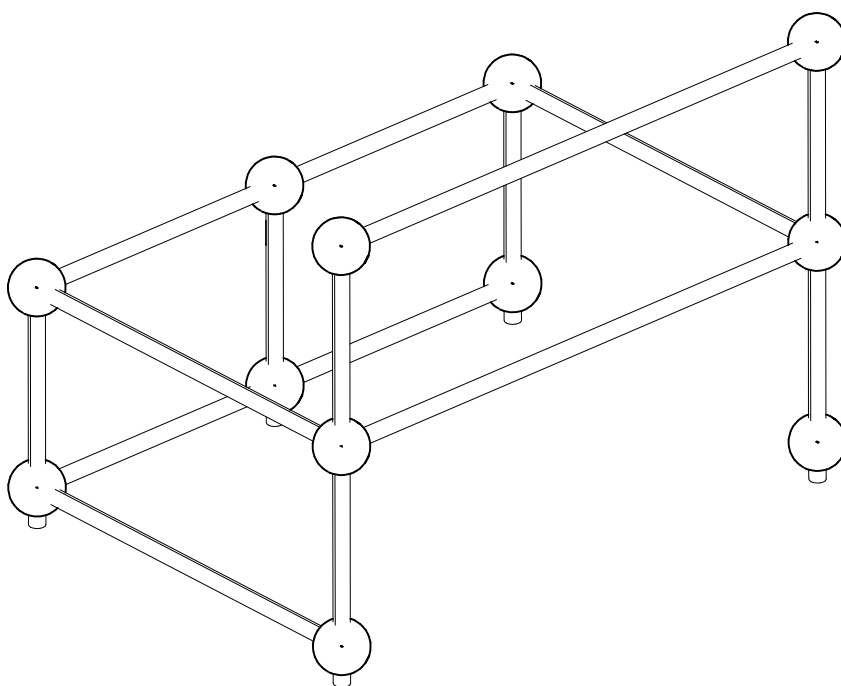
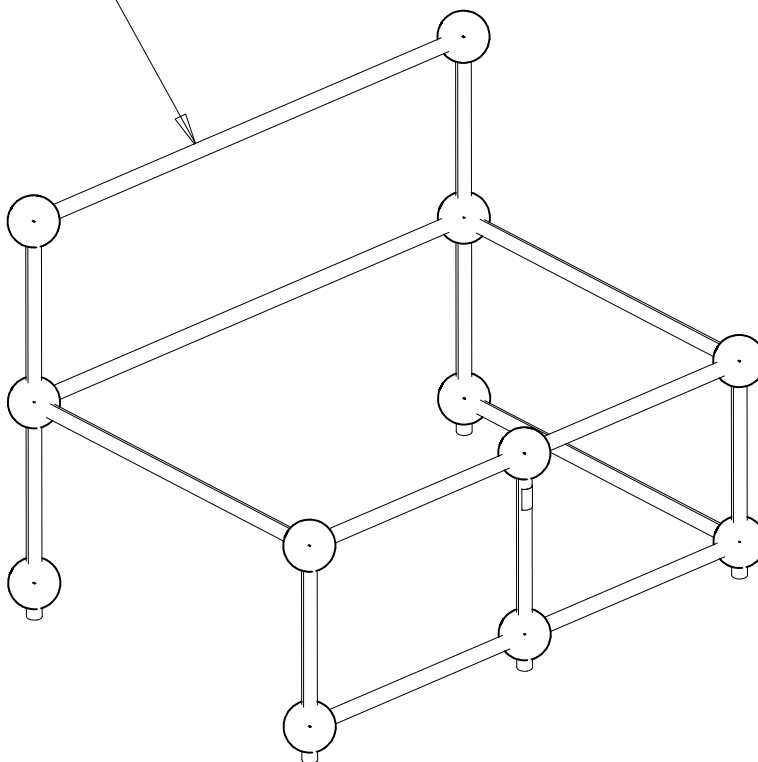
C



D



Max falling height.



WINAM GROUP PARKOUR

220590

DATE: 24.5.2018



PARTS DET 17,19,20		① 702341	PCS	② 704599	PCS
			1		1
		90x50		90x50	
		③ 902134	PCS	④ 902157	PCS
			2		8
				60x60x2	
		⑤ 902424	PCS	⑥ 904130	PCS
			1		2
		L 1034		L 2148	
		⑦ 902124	PCS	⑧ 980161	PCS
			12		12
		150x50x50		M10	
		⑨ 902232	PCS	⑩ 902233	PCS
			6		6
		M10x55		M10x30	
		⑪ 704829	PCS	⑬ 909855	PCS
	1		8		
15x913x993		M8x35			
⑭ 909256	PCS	⑮ 909633	PCS		
	8		8		
Ø16/8.4x1.6		M8			
+0 mm [(+0" in)]	⑯ 909873	PCS	○ 704855-704866	PCS	
	8		1		
-400 mm [(-1'-4" in)]		NOT INCLUDED			
M8x40		8x560x640			

WINAM GROUP

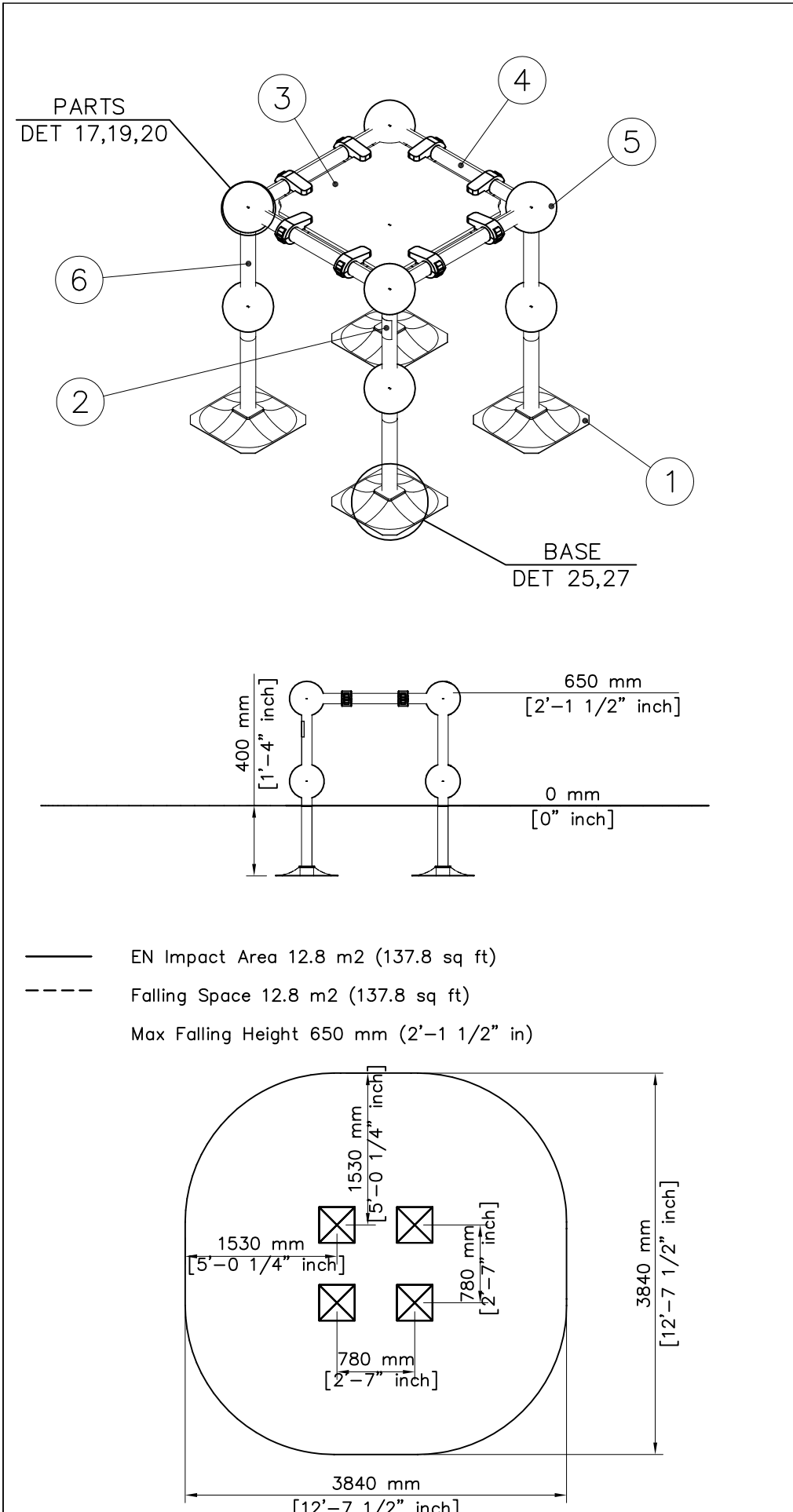
PARKOUR

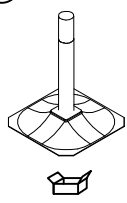

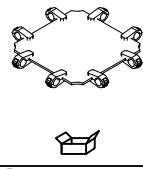
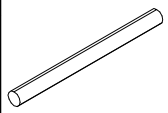
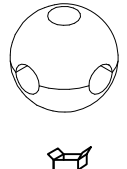

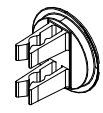
220590

DATE: 24.5.2018



<p>DET 1</p> <p>RIBBED BAR Ø8x300</p>	<p>DET 2</p> <p>Concrete 500x500x200</p> <p>R100</p> <p>400</p>	<p>DET 3</p> <p>M10x55</p> <p>M10</p> <p>902124</p> <p>M10x30</p>
<p>DET 4</p> <p>M10x55</p> <p>M10x30</p> <p>902124</p> <p>M10</p>	<p>DET 5</p> <p>NOTE: Various signs.</p> <p>HUOM: Useita erilaisia kylttejä.</p> <p>M8x35 (909855)</p> <p>Ø16/8.4x1.6 (909256)</p> <p>M8 (909633)</p>	<p>NOTE: Use a wire marked pairs of the same junction.</p> <p>Huom! Käytä langalla merkittyä paria samassa liitoksessa.</p>
<p>OPTIONAL</p> <p>Ø16/8.4x1.6 (909256)</p> <p>M8 (909633)</p> <p>M8x40 (909873)</p>		

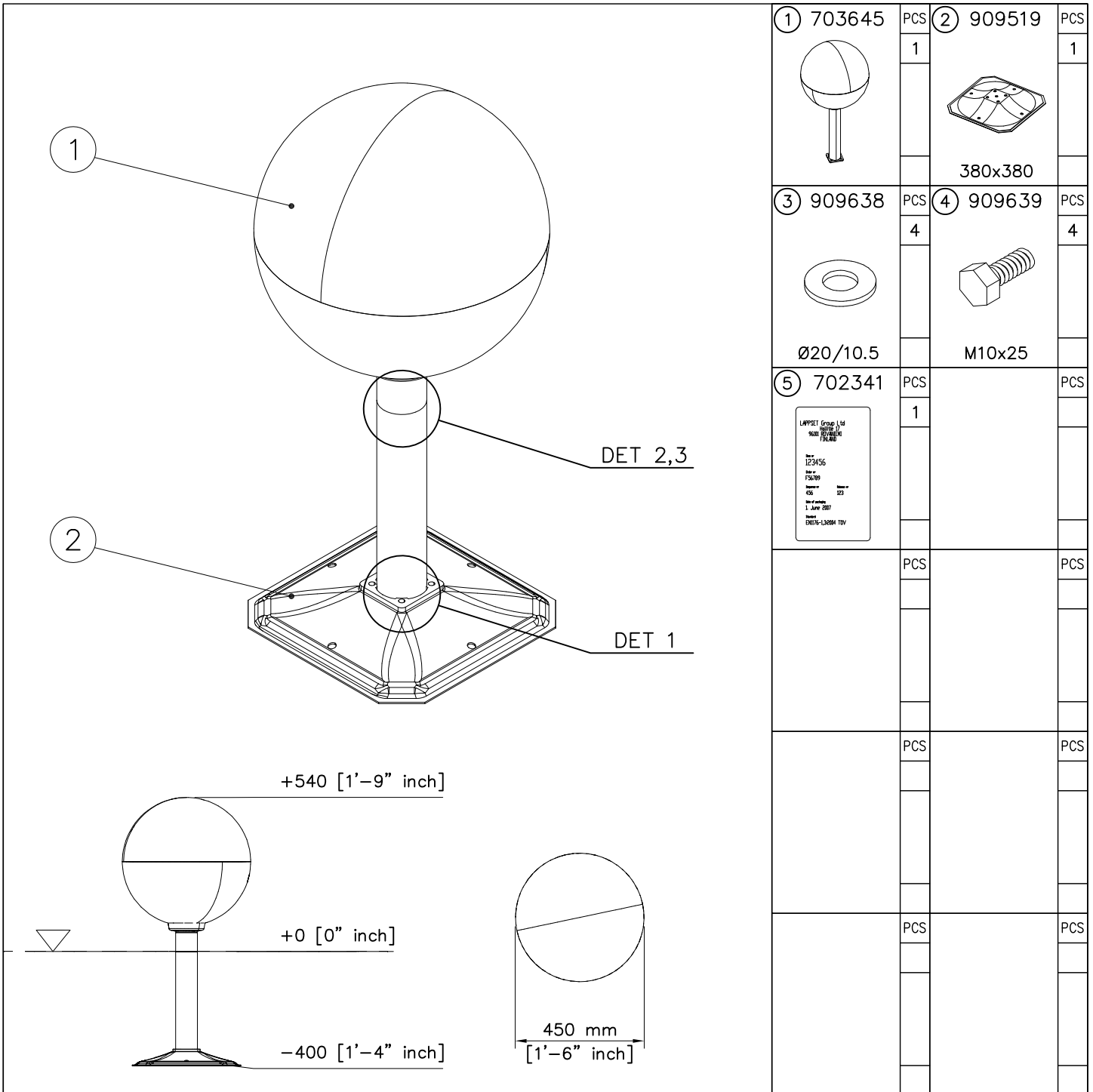


①	701985	PCS	②	702341	PCS
		4	 90x50		1
③	702056	PCS	④	902022	PCS
		1	 L 710		4
⑤	902134	PCS	⑥	904132	PCS
		8	 L 400		4
⑦	904747	PCS			PCS
 60x60x2		28			
		PCS			PCS
		PCS			PCS
		PCS			PCS
		PCS			PCS

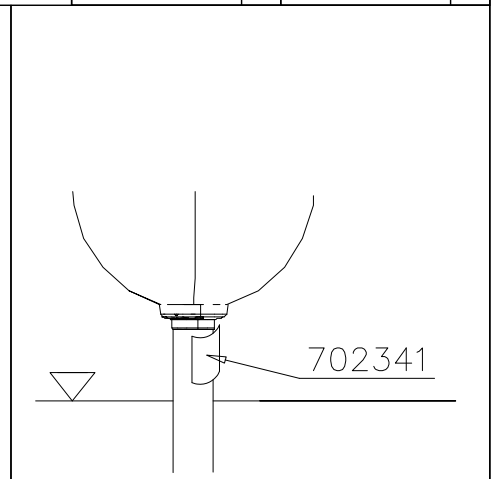
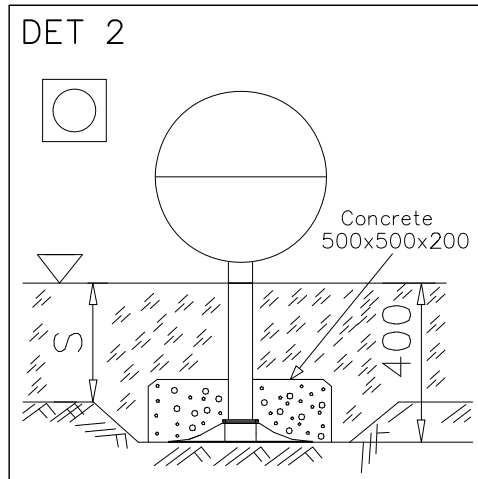
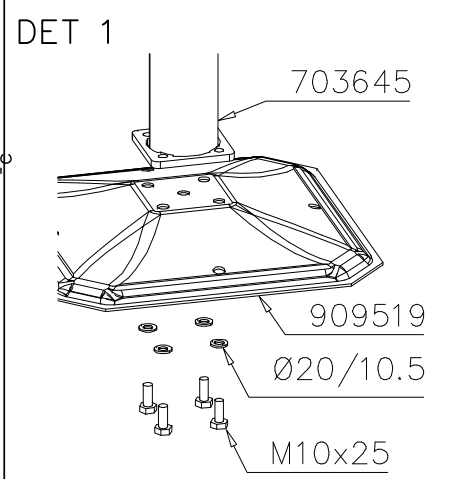
WINAM GROUP PARKOUR

220501

DATE: 26.5.2014



① 703645	PCS	② 909519	PCS
	1		1
		380x380	
③ 909638	PCS	④ 909639	PCS
	4		4
Ø20/10.5		M10x25	
⑤ 702341	PCS		PCS
	1		
	PCS		PCS
	PCS		PCS
	PCS		PCS



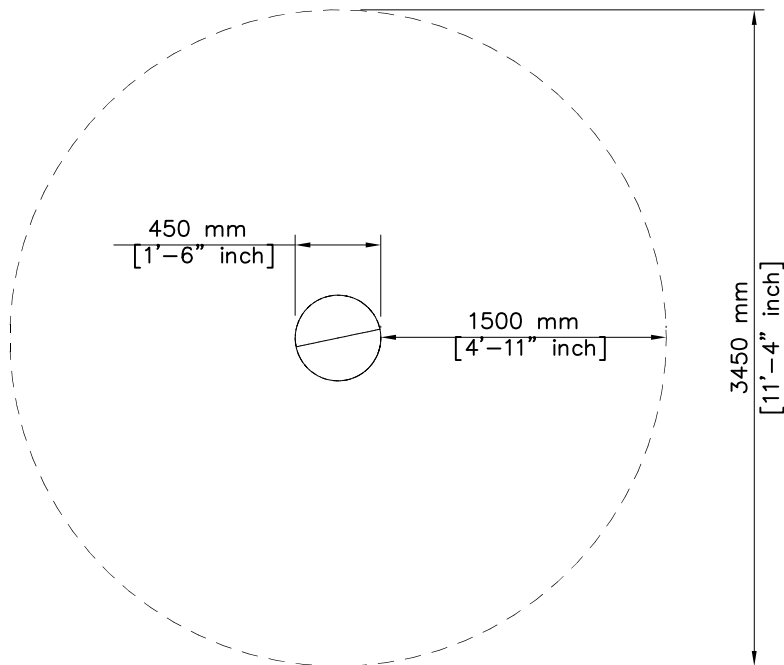
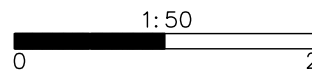
WINAM GROUP PARKOUR

220501

DATE: 11.2.2013



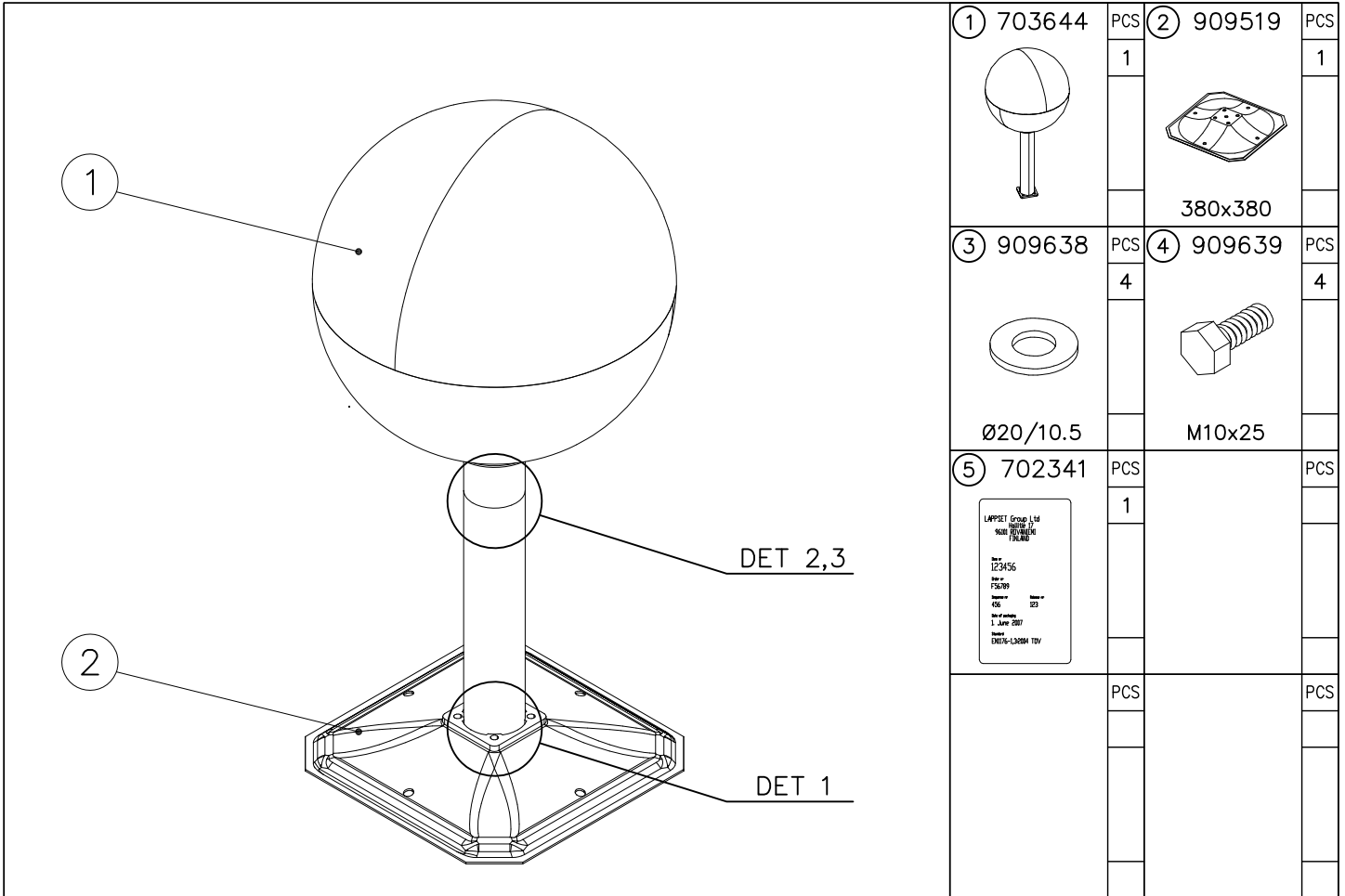
----- Falling Space 9.3 m² (100 sq ft)
Max Falling Height 540 mm (1'-9" in)



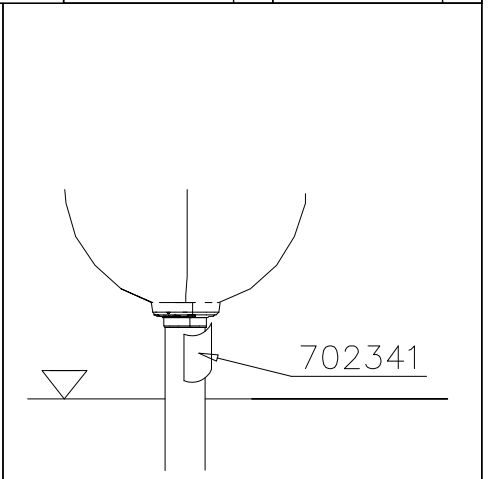
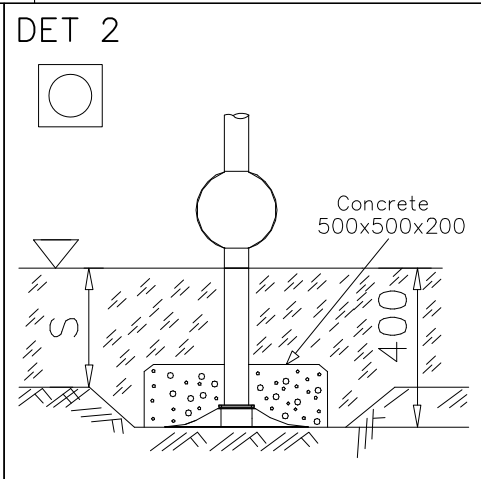
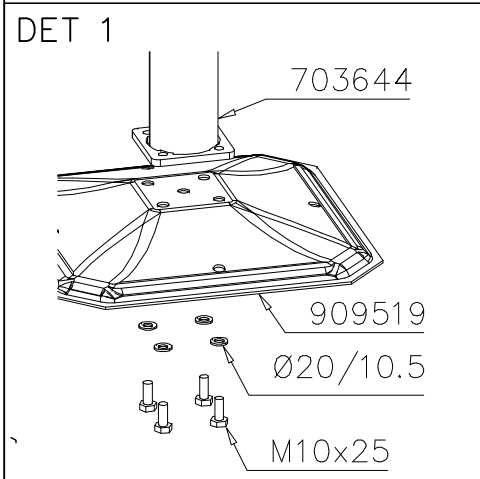
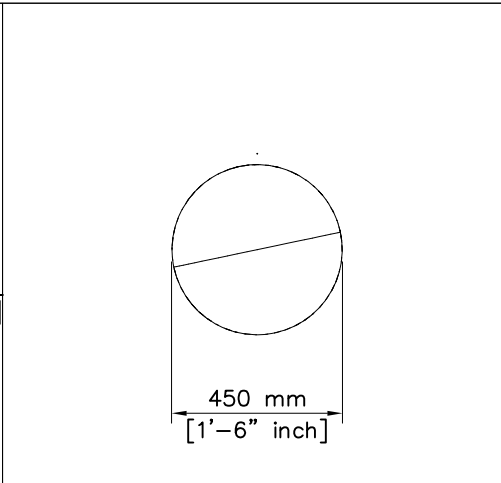
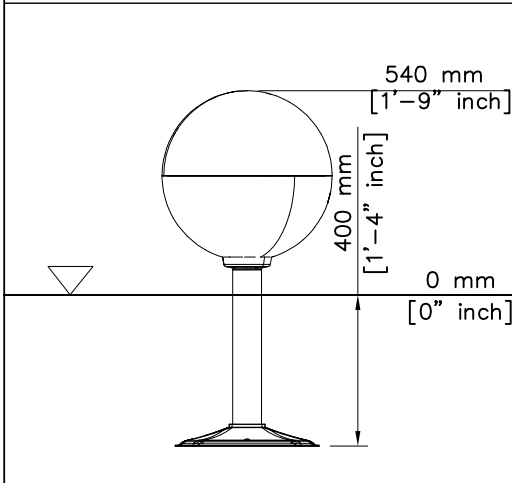
WINAM GROUP PARKOUR

220502

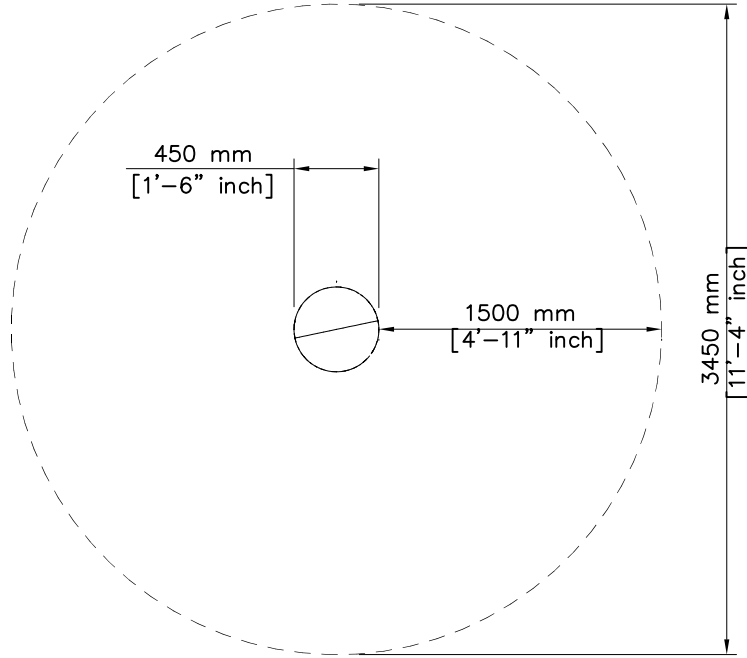
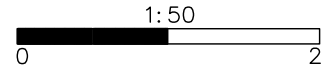
DATE: 13.2.2013



① 703644	PCS	② 909519	PCS
	1		1
		380x380	
③ 909638	PCS	④ 909639	PCS
	4		4
Ø20/10.5		M10x25	
⑤ 702341	PCS		PCS
	1		
	PCS		PCS
	PCS		PCS



----- Falling Space 9.3 m² (100 sq ft)
Max Falling Height 540 mm (1'-9" in)



WINAM GROUP

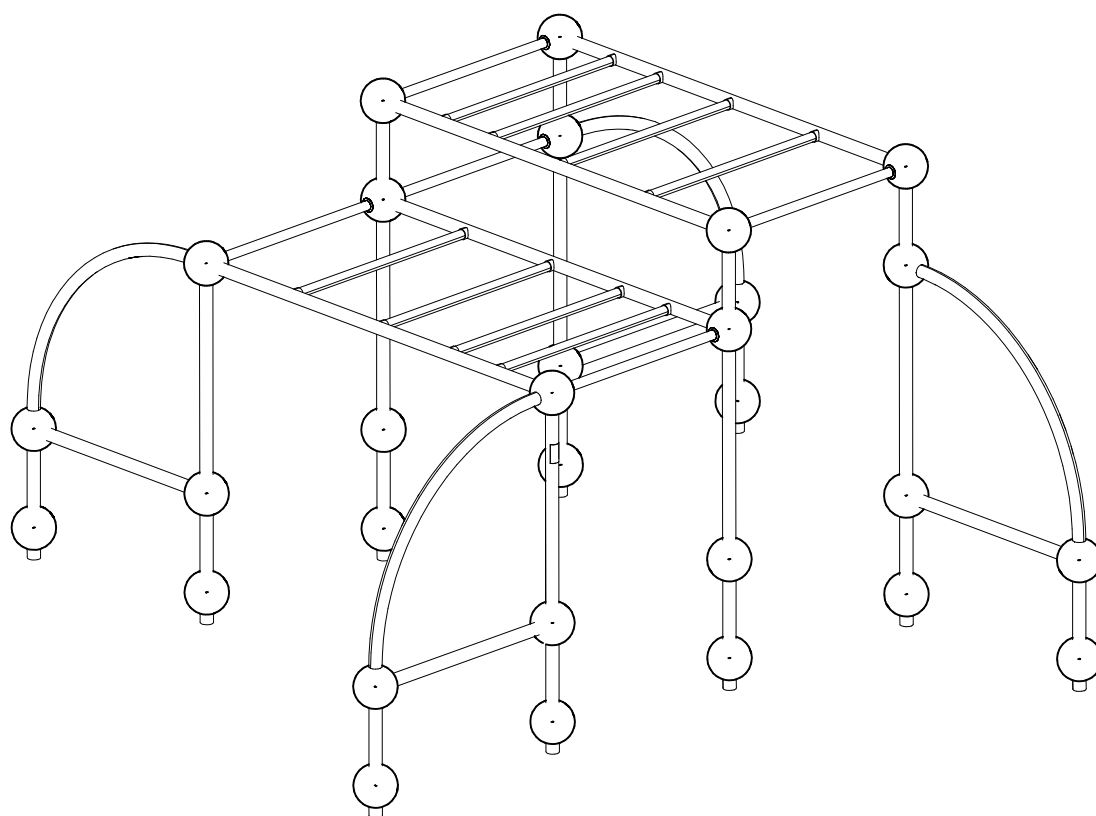


PARKOUR

A SENNUSOHJE
MONTERINGSANSVISNING
INSTALLATION INSTRUCTION
AUFBAUANLEITUNG
NOTICE D'INSTALLATION

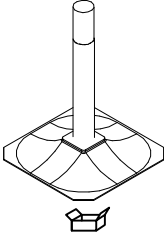

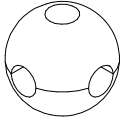
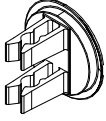

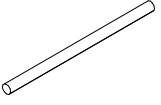
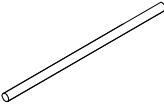

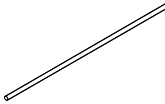
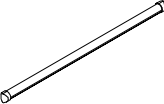

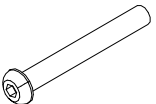
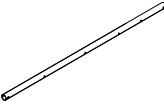

DATE: 20.2.2015



220511

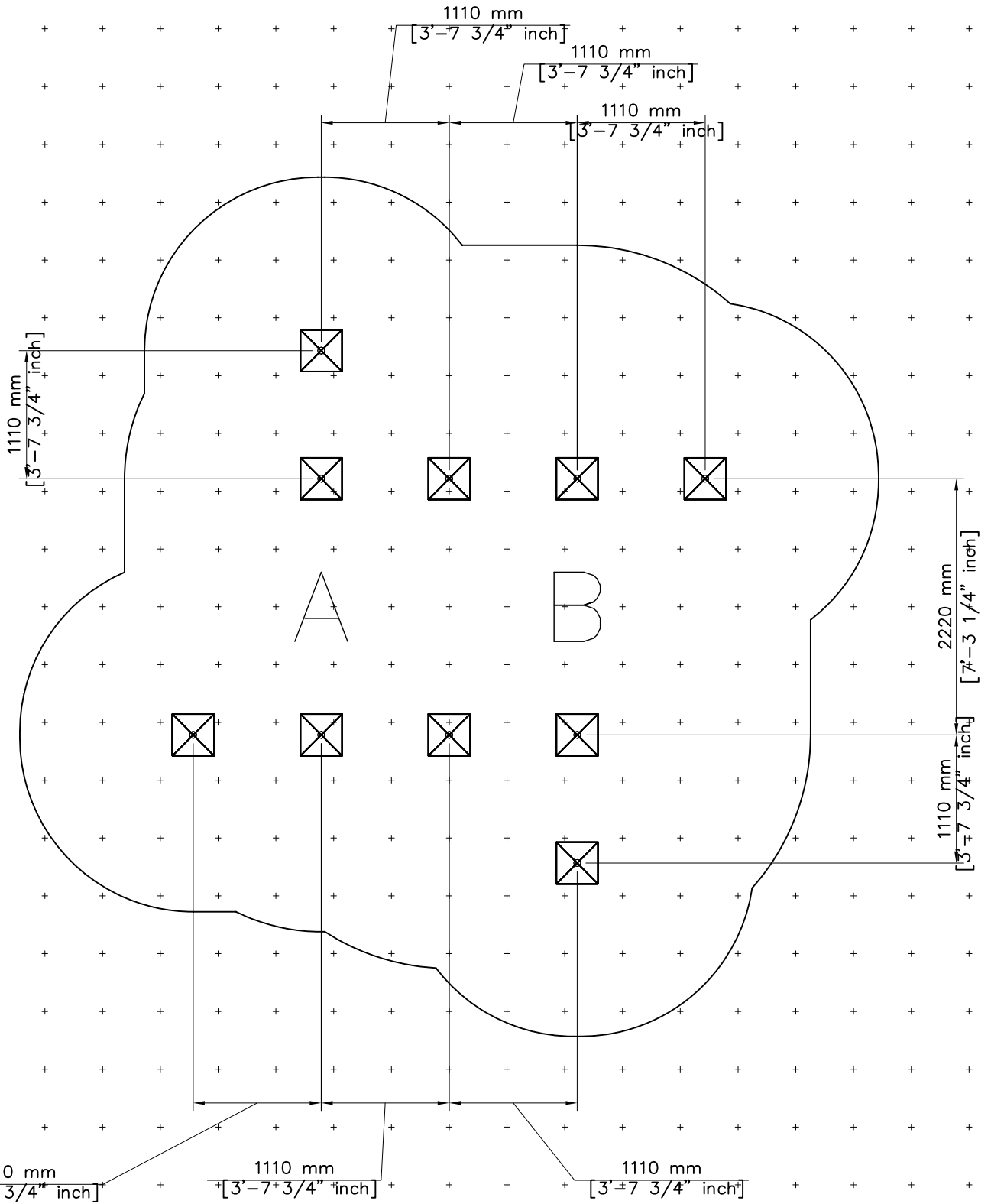
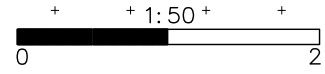


PARKOUR

DATE: 20.2.2015

<p>701985</p>  <p>PCS</p> <p>10</p>	<p>702341</p>  <p>PCS</p> <p>1</p> <p>90x50</p>	<p>902134</p>  <p>PCS</p> <p>30</p>	<p>904747</p>  <p>PCS</p> <p>94</p> <p>60x60x2</p>	<p>902418</p>  <p>PCS</p> <p>4</p>	<p>902424</p>  <p>PCS</p> <p>10</p> <p>L 1034</p>
<p>904015</p>  <p>PCS</p> <p>3</p> <p>∅44.5x1034</p>	<p>904100</p>  <p>PCS</p> <p>10</p> <p>44.5-60.3</p>	<p>904102</p>  <p>PCS</p> <p>1</p> <p>∅44.5x2148</p>	<p>904103</p>  <p>PCS</p> <p>8</p> <p>∅44.5x1073</p>	<p>904132</p>  <p>PCS</p> <p>14</p> <p>L 402</p>	<p>904133</p>  <p>PCS</p> <p>16</p> <p>M10x80</p>
<p>904134</p>  <p>PCS</p> <p>4</p> <p>L 2148</p>	<p>904158</p>  <p>PCS</p> <p>16</p> <p>∅18/10.5</p>				

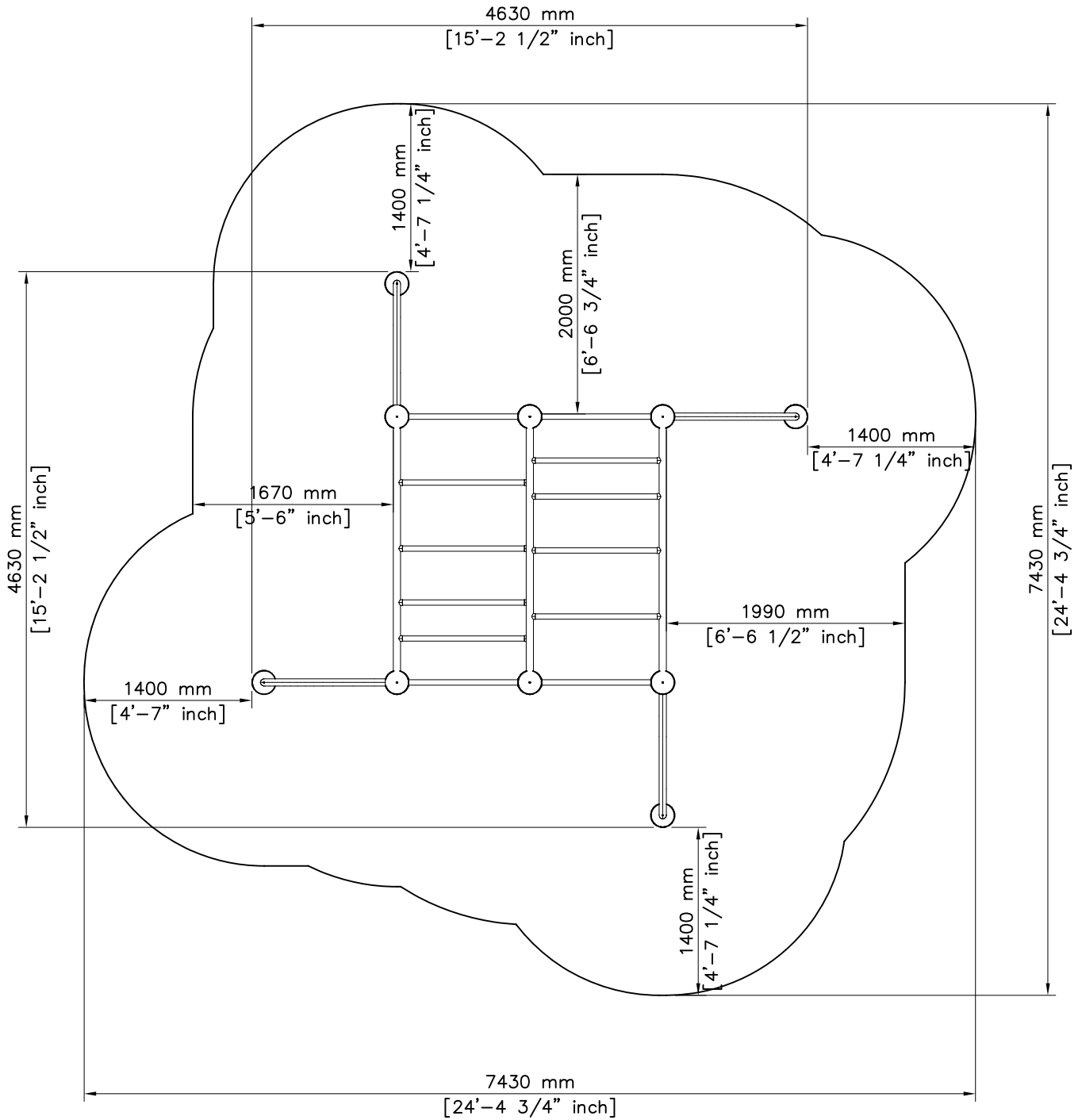
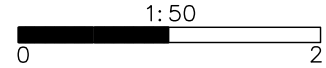
 EN/AS Impact Area 39.5 m² (425+ sq ft)
 Grid size = 500mm (20" in)
 Falling Space 39.5 m² (425 sq ft)

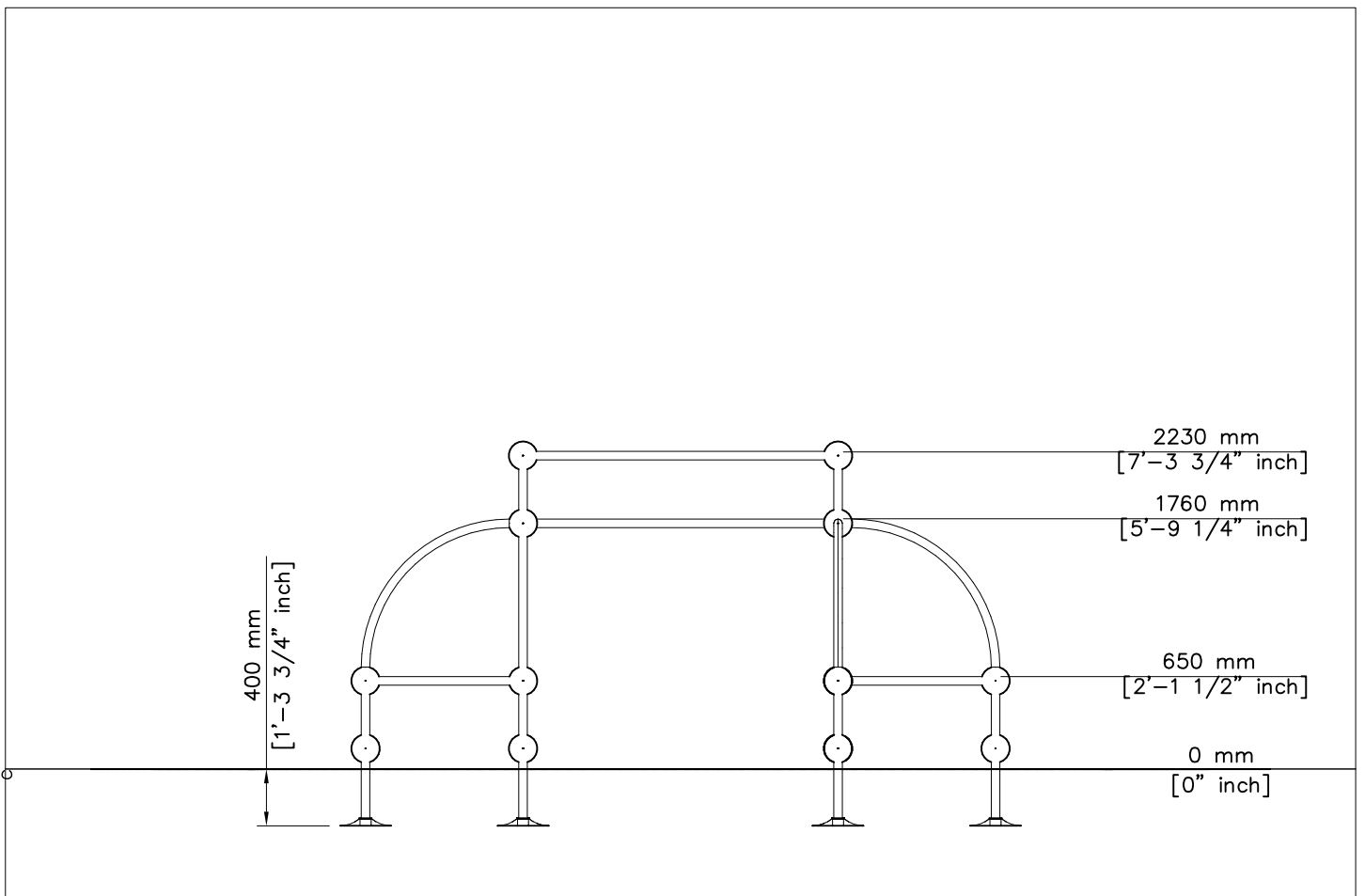
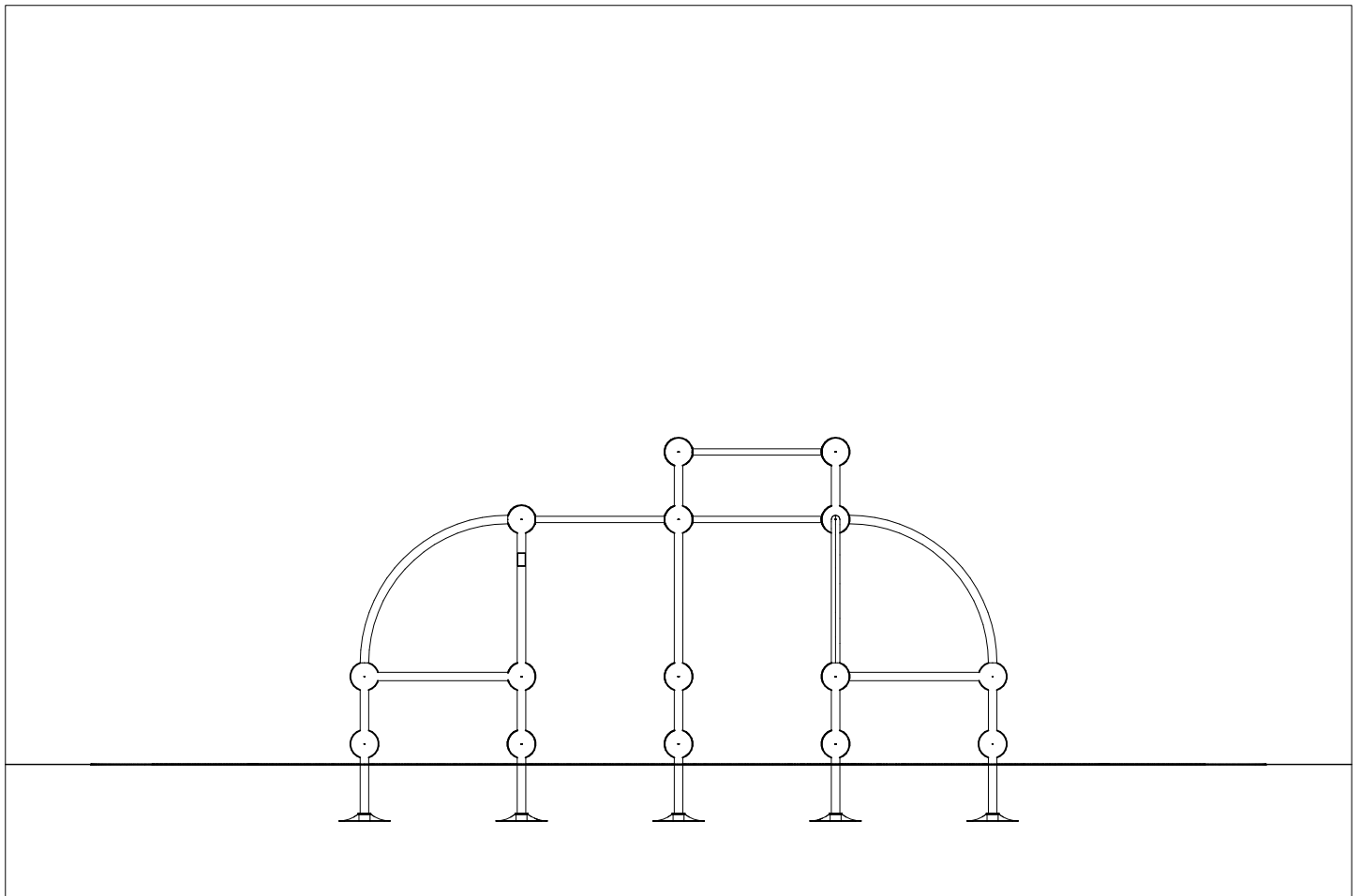


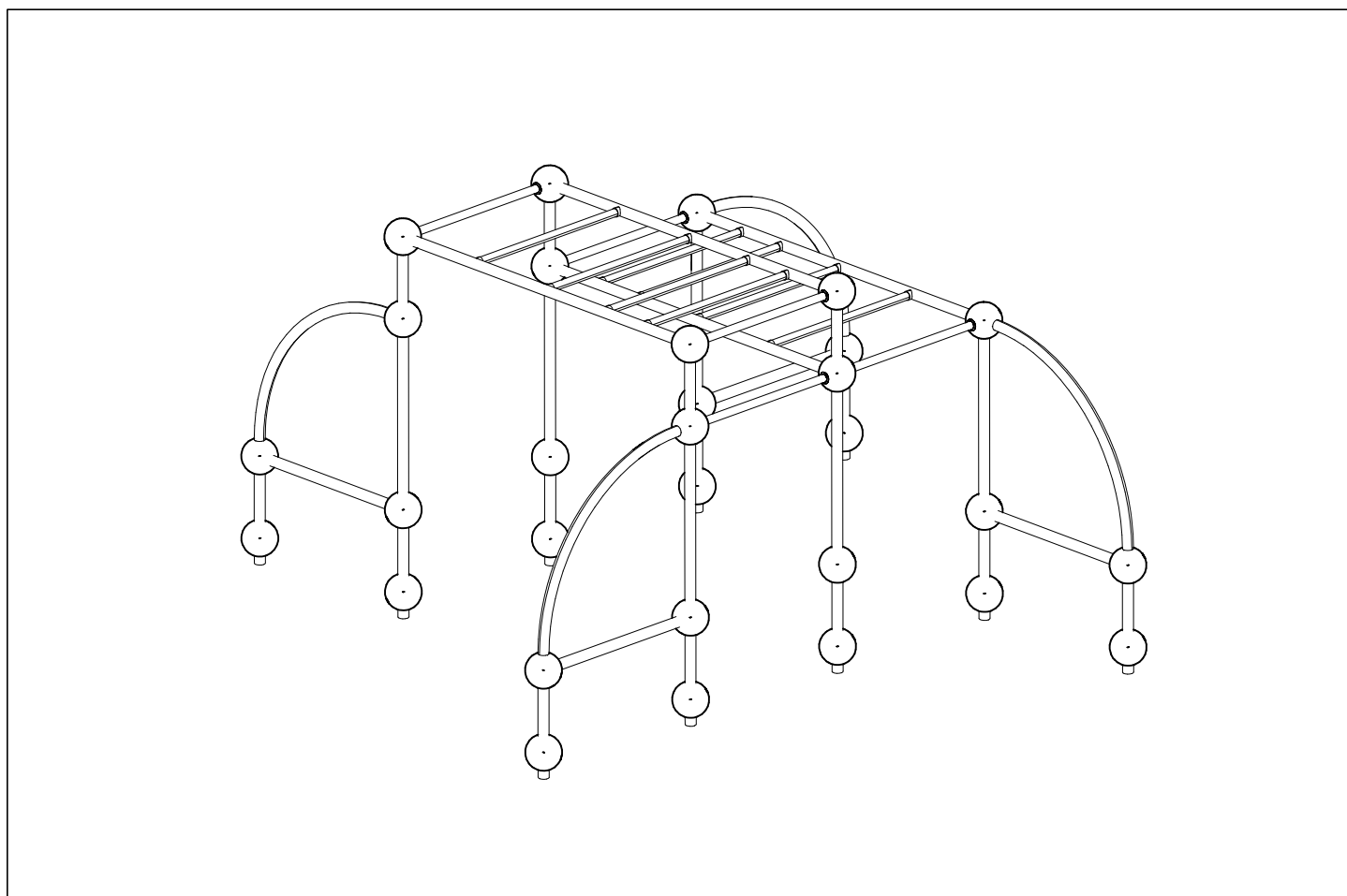
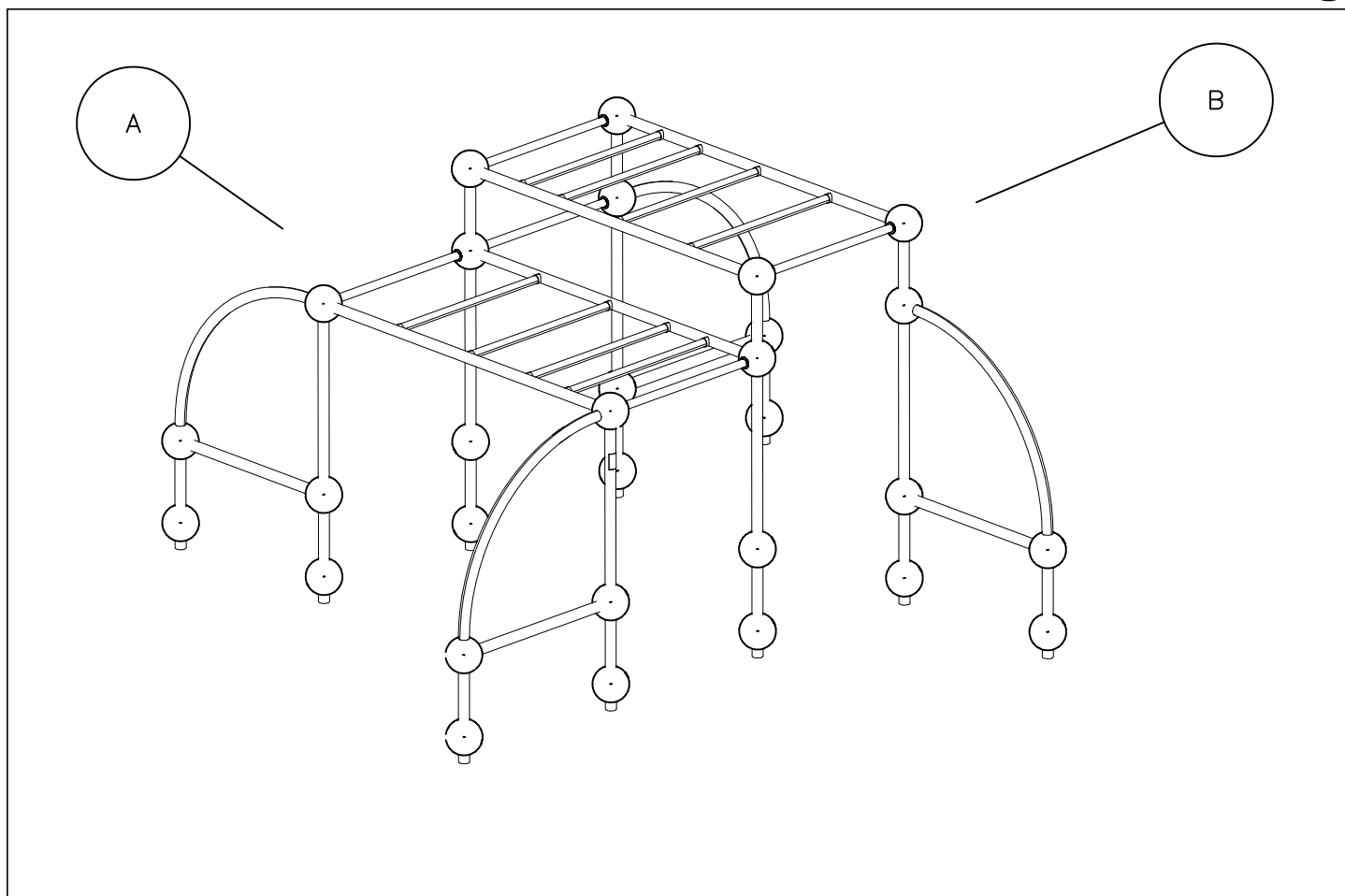
—— EN/AS Impact Area 39.5 m² (425 sq ft)

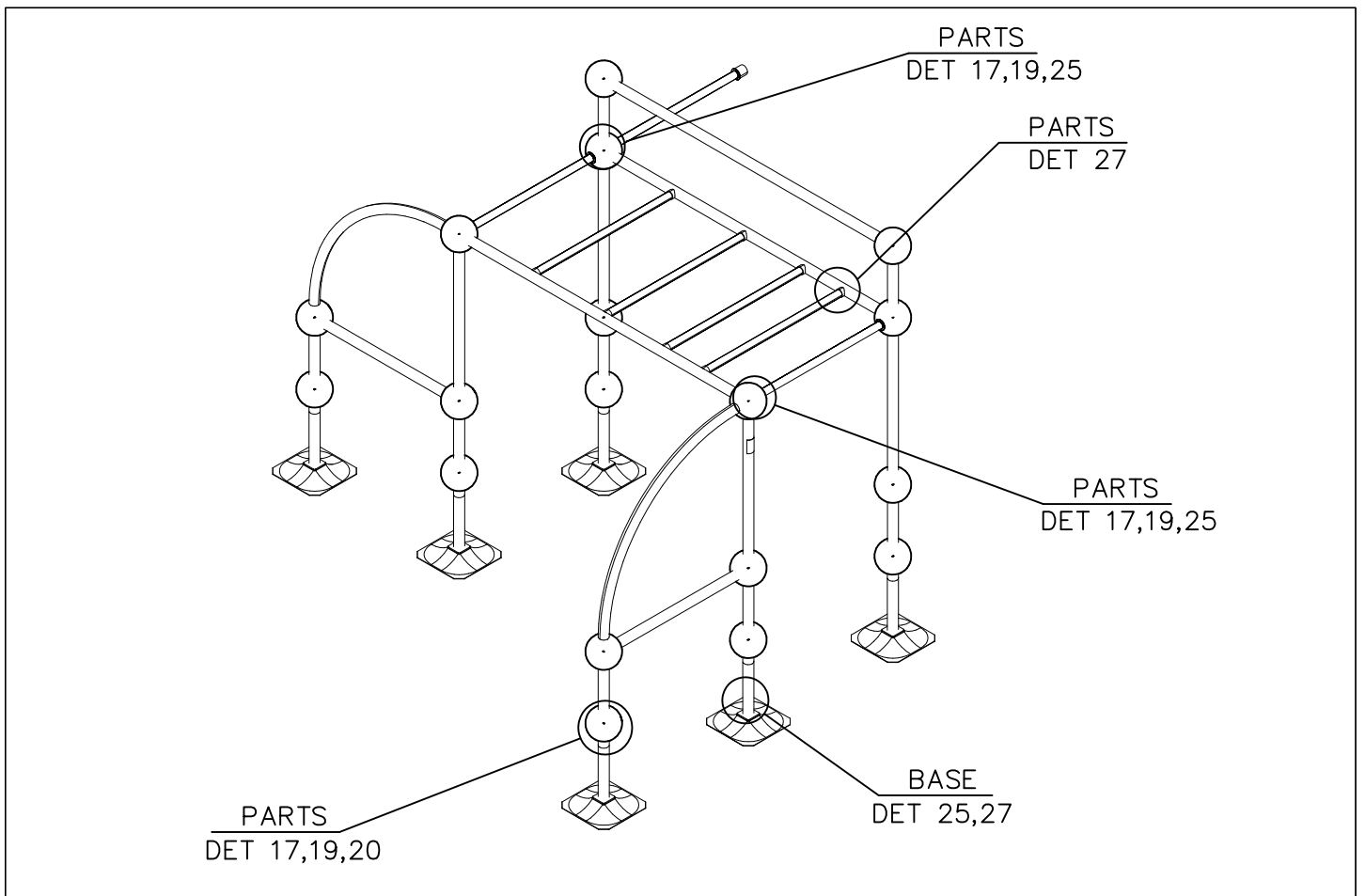
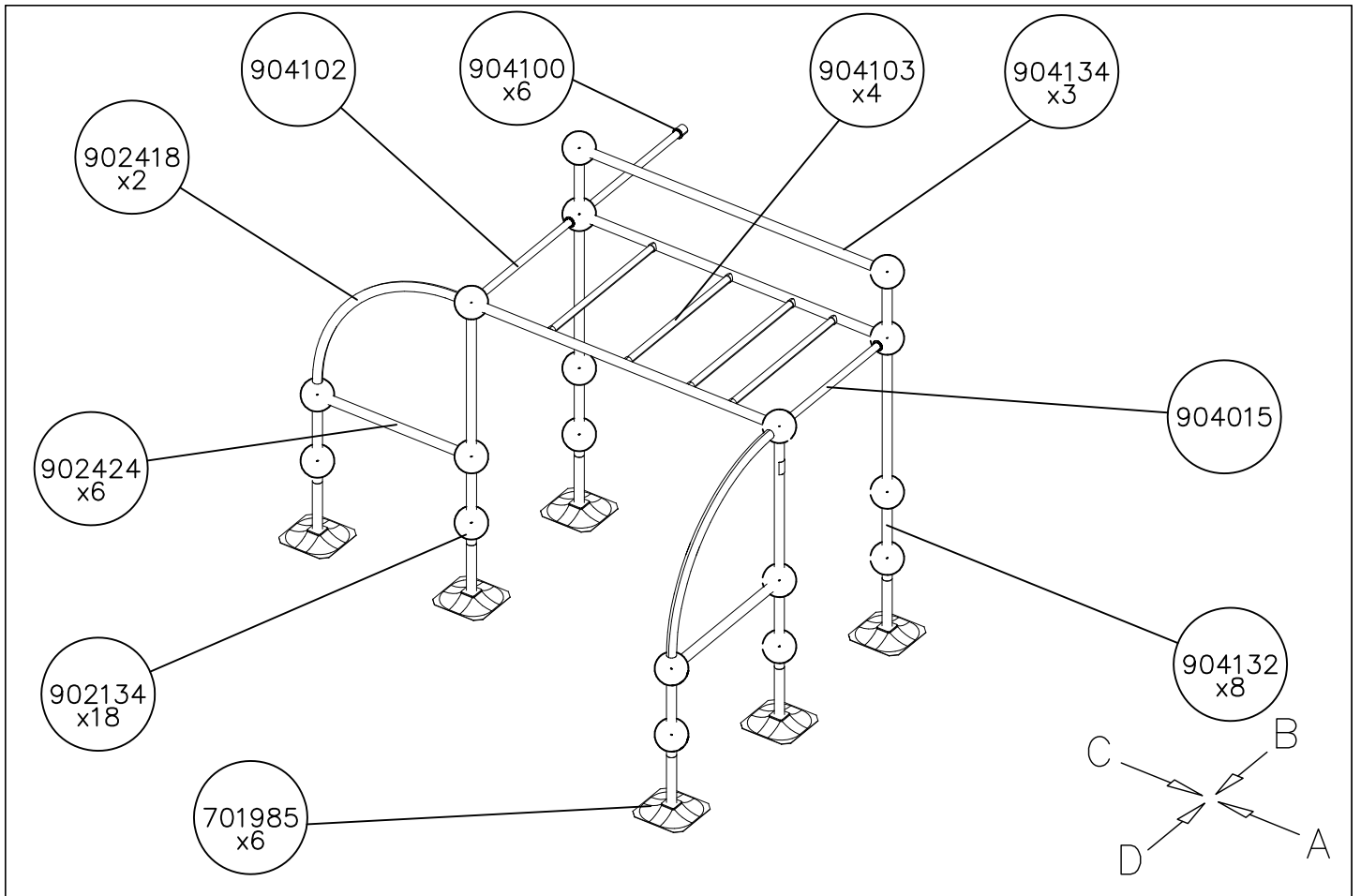
----- Falling Space 39.5 m² (425 sq ft)

Max Falling Height 2230 mm (7'-3 3/4" in)



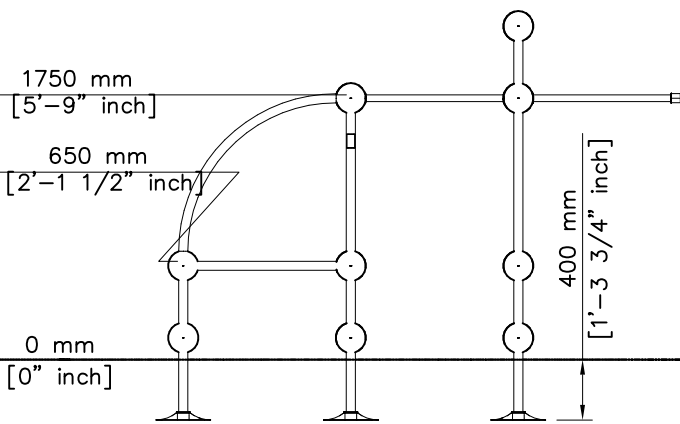




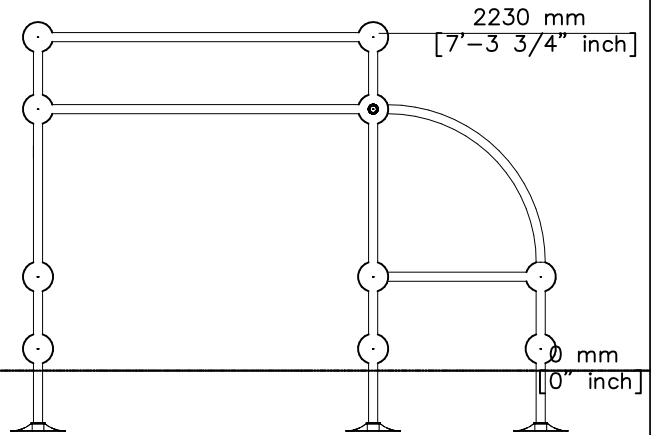


1:50

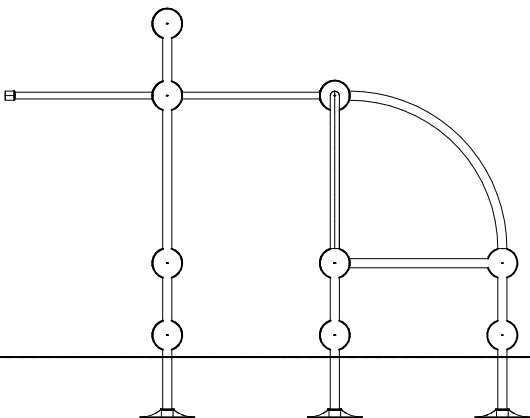
(A)



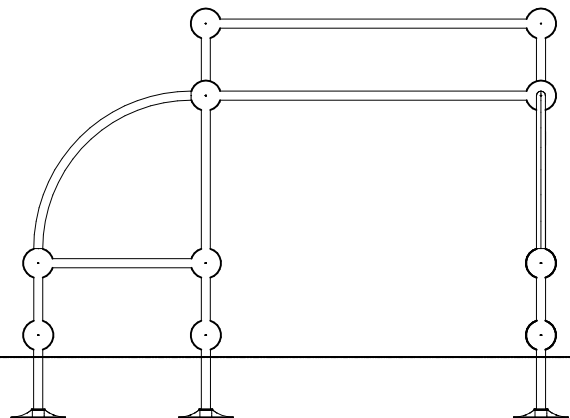
(B)

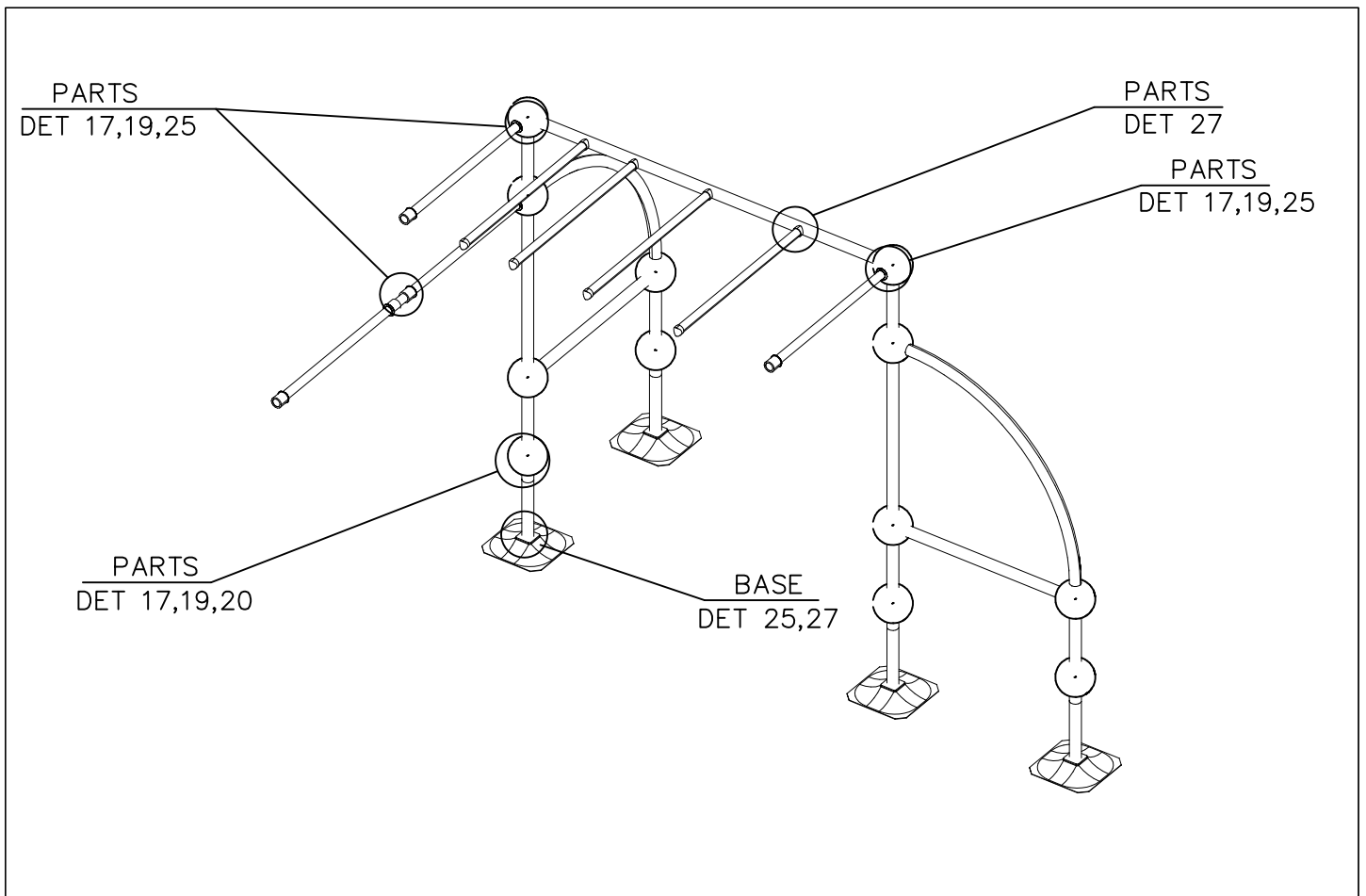
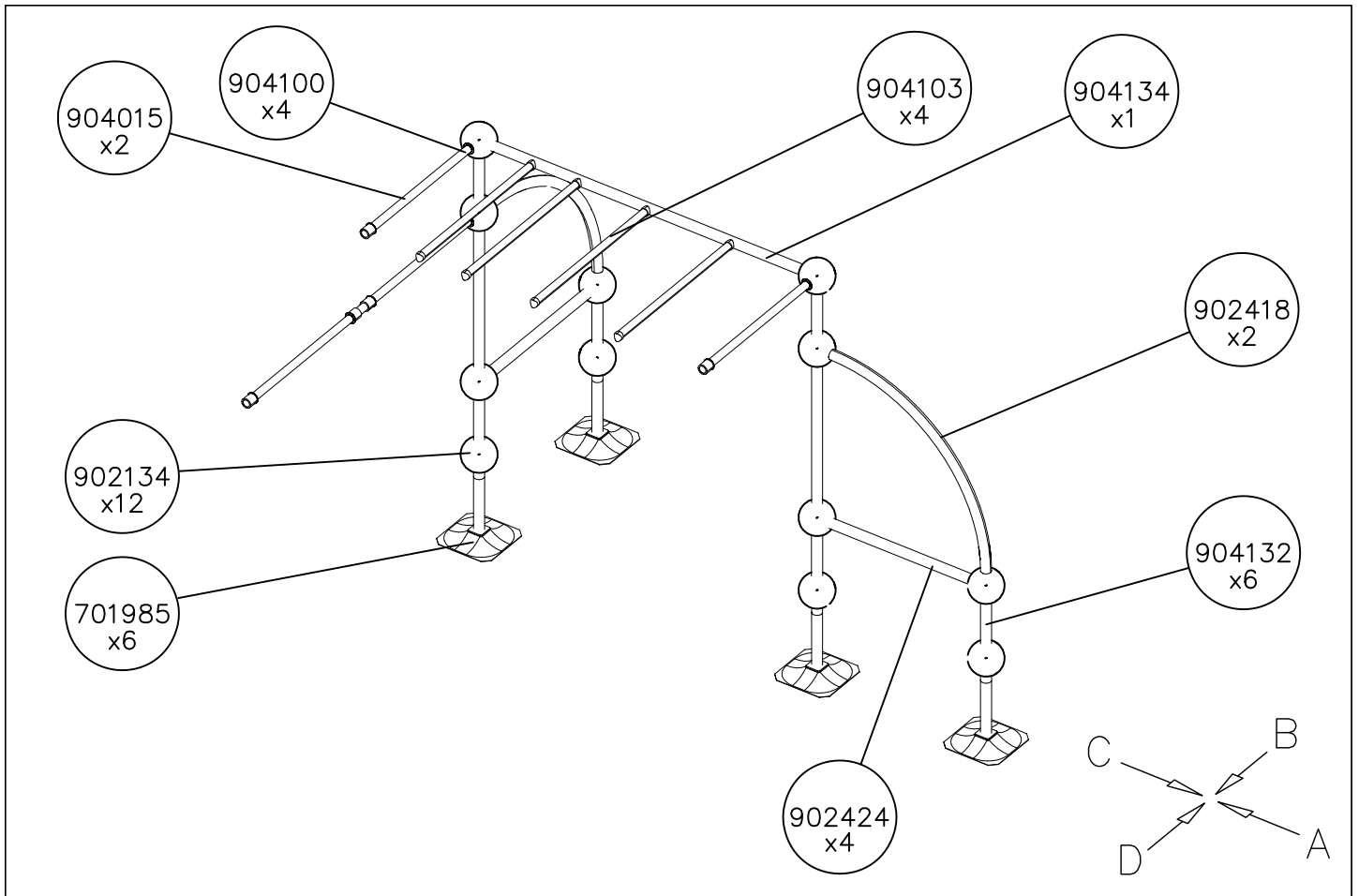


(C)



(D)

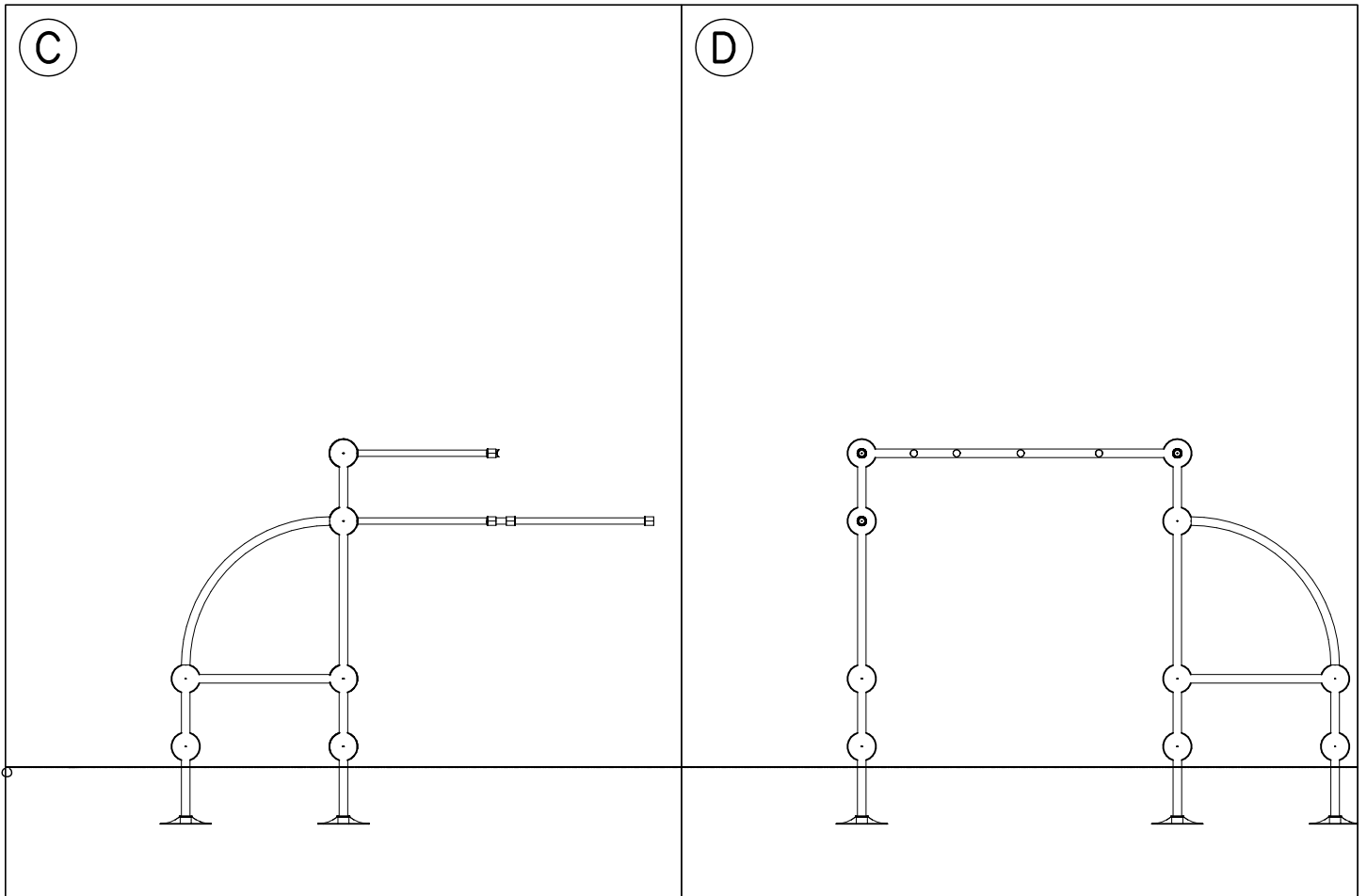
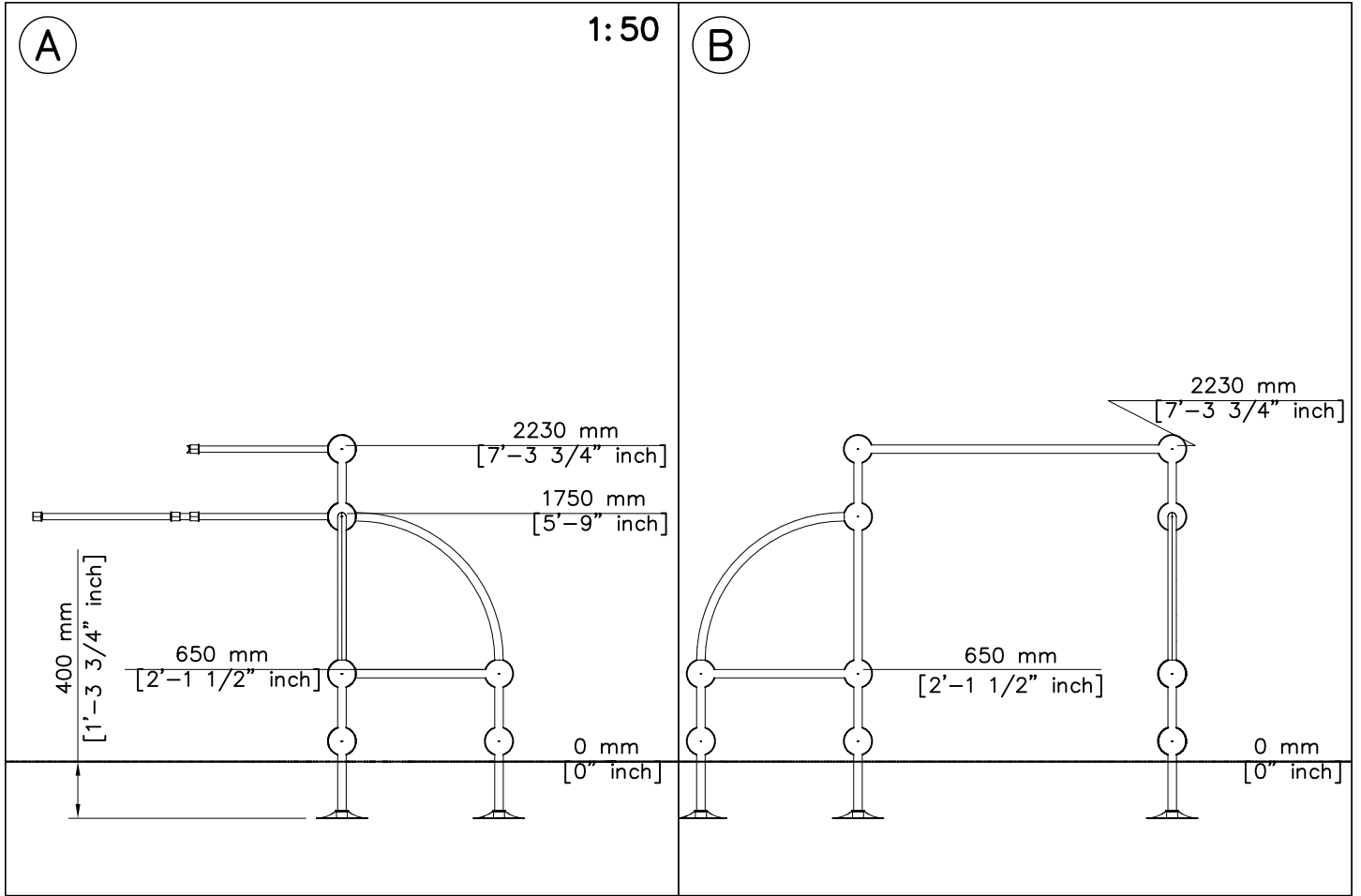


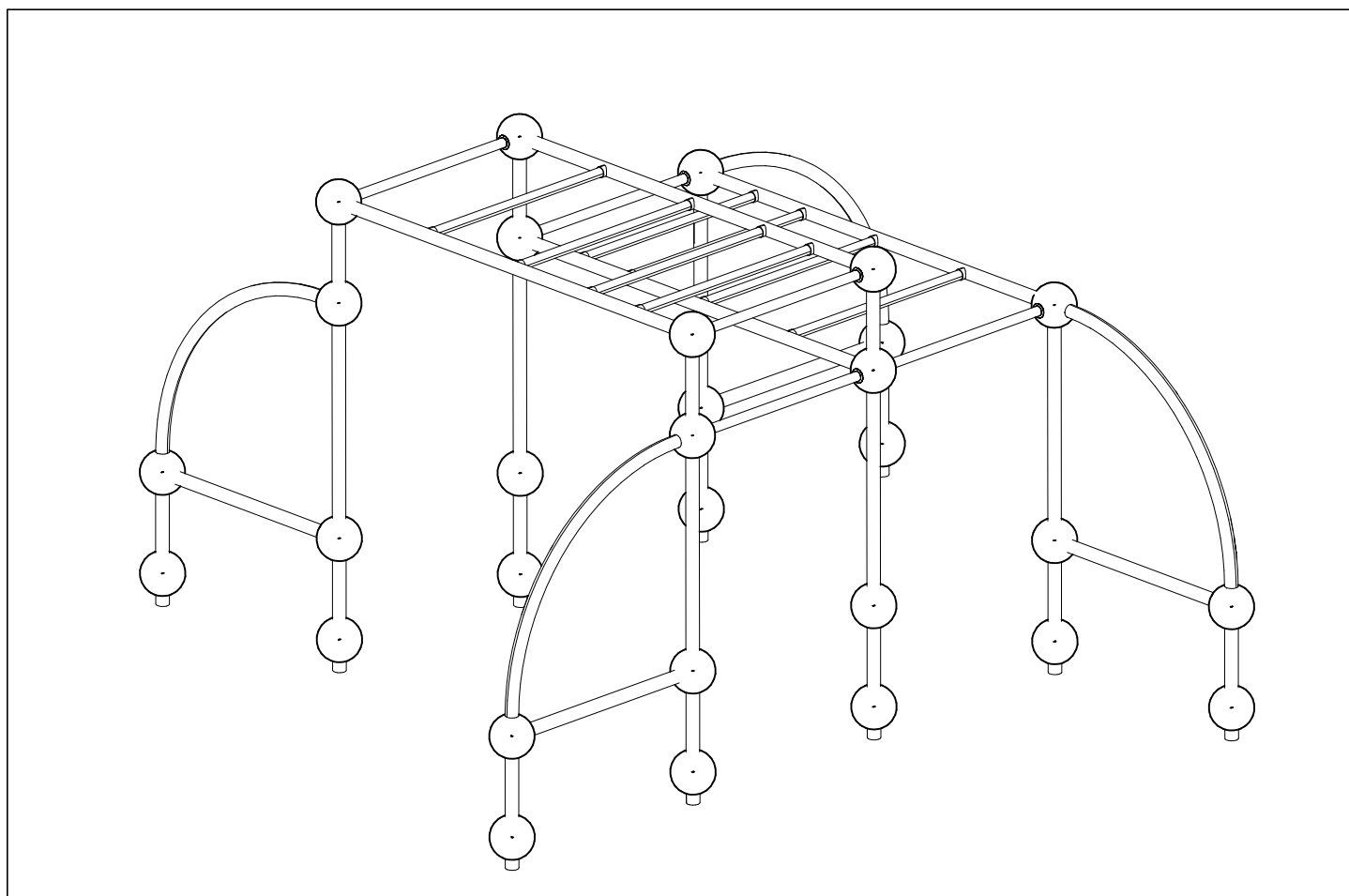
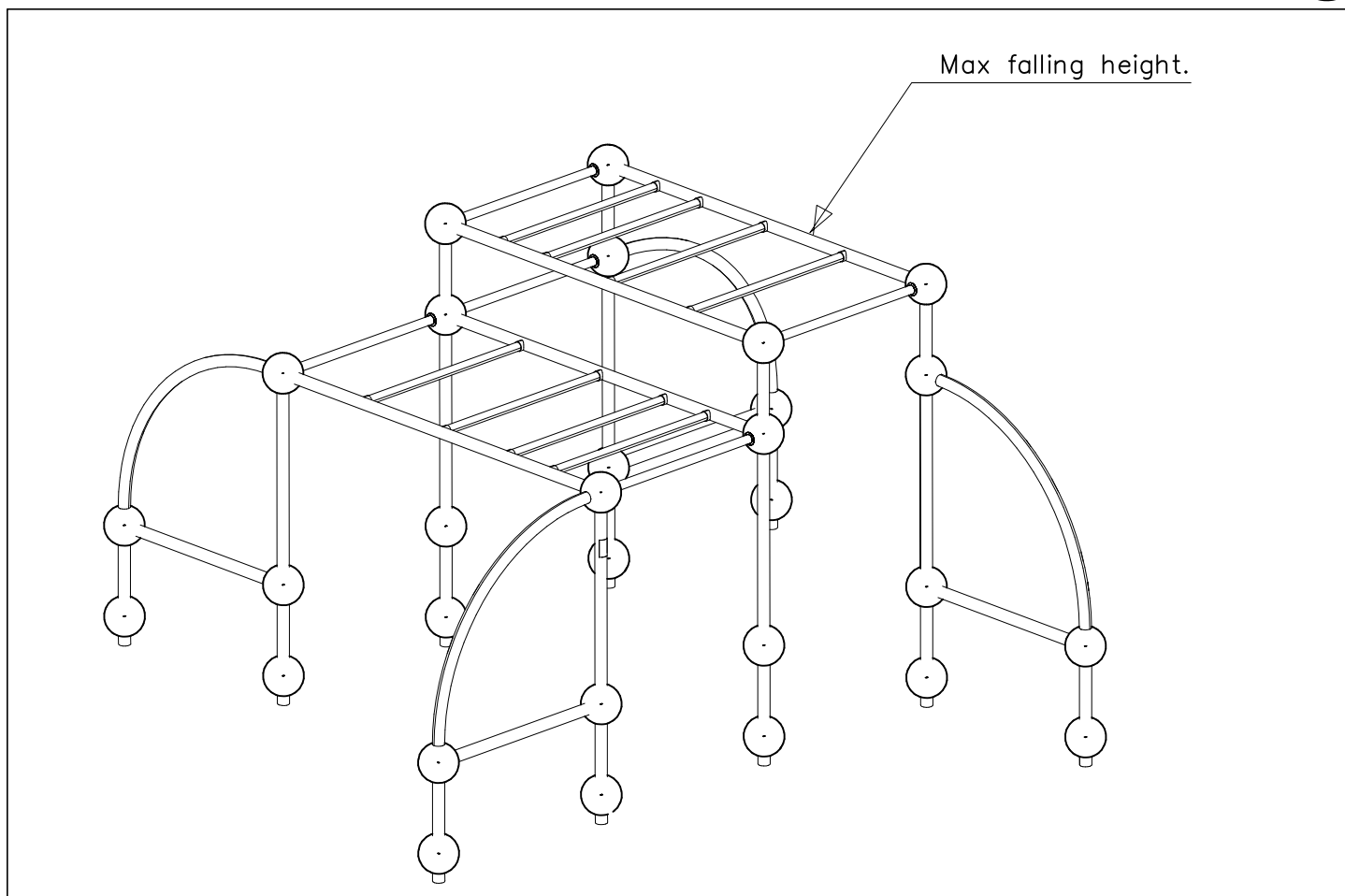


PARKOUR

DATE: 20.2.2015

1:50





WINAM GROUP

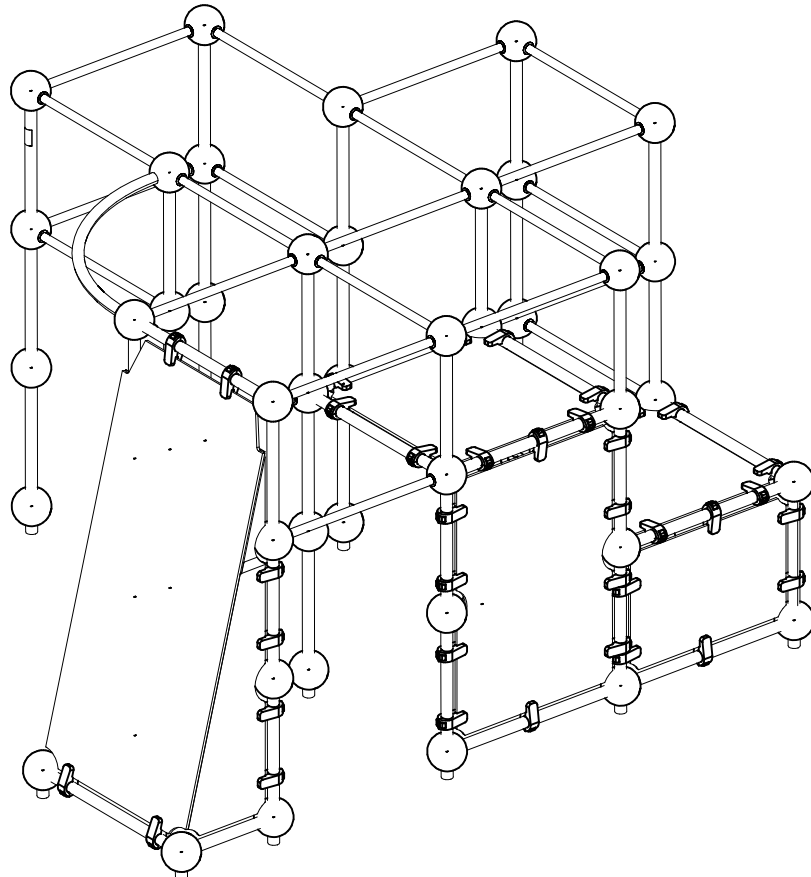


PARKOUR

ASENNUSOHJE
MONTERINGSANSVISNING
INSTALLATION INSTRUCTION
AUFBAUANLEITUNG
NOTICE D'INSTALLATION

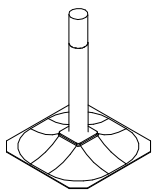

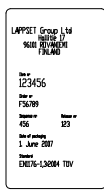

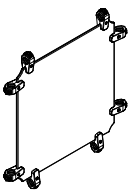

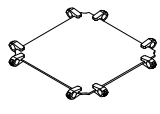

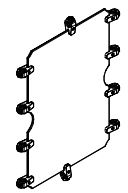

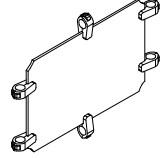



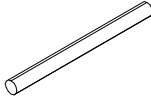
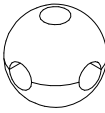

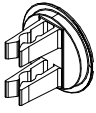

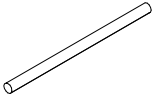
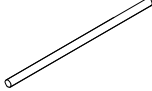

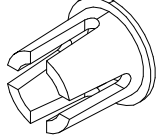
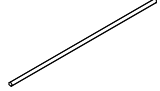
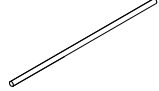
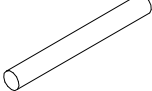
DATE: 23.2.2015

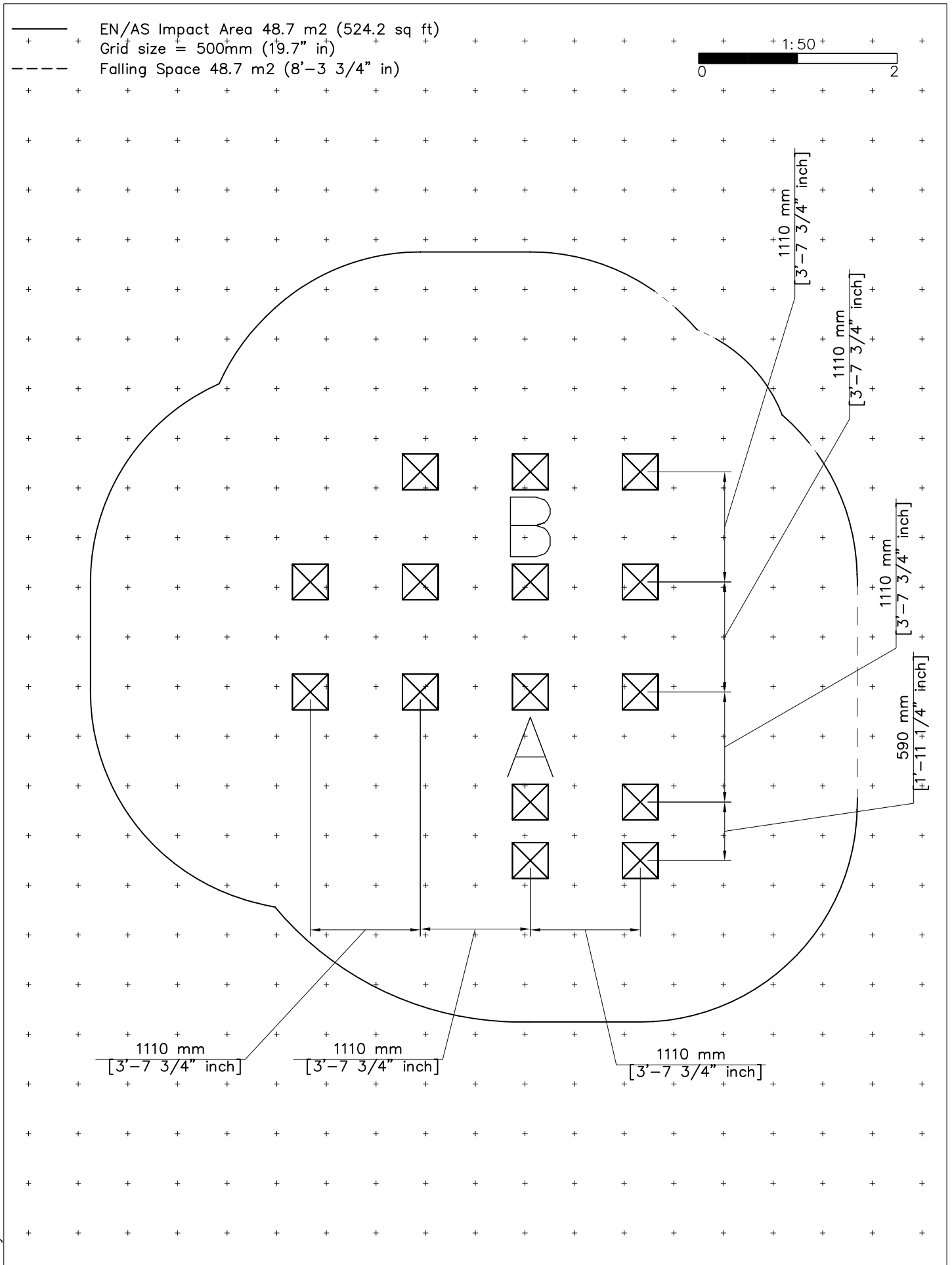
220524



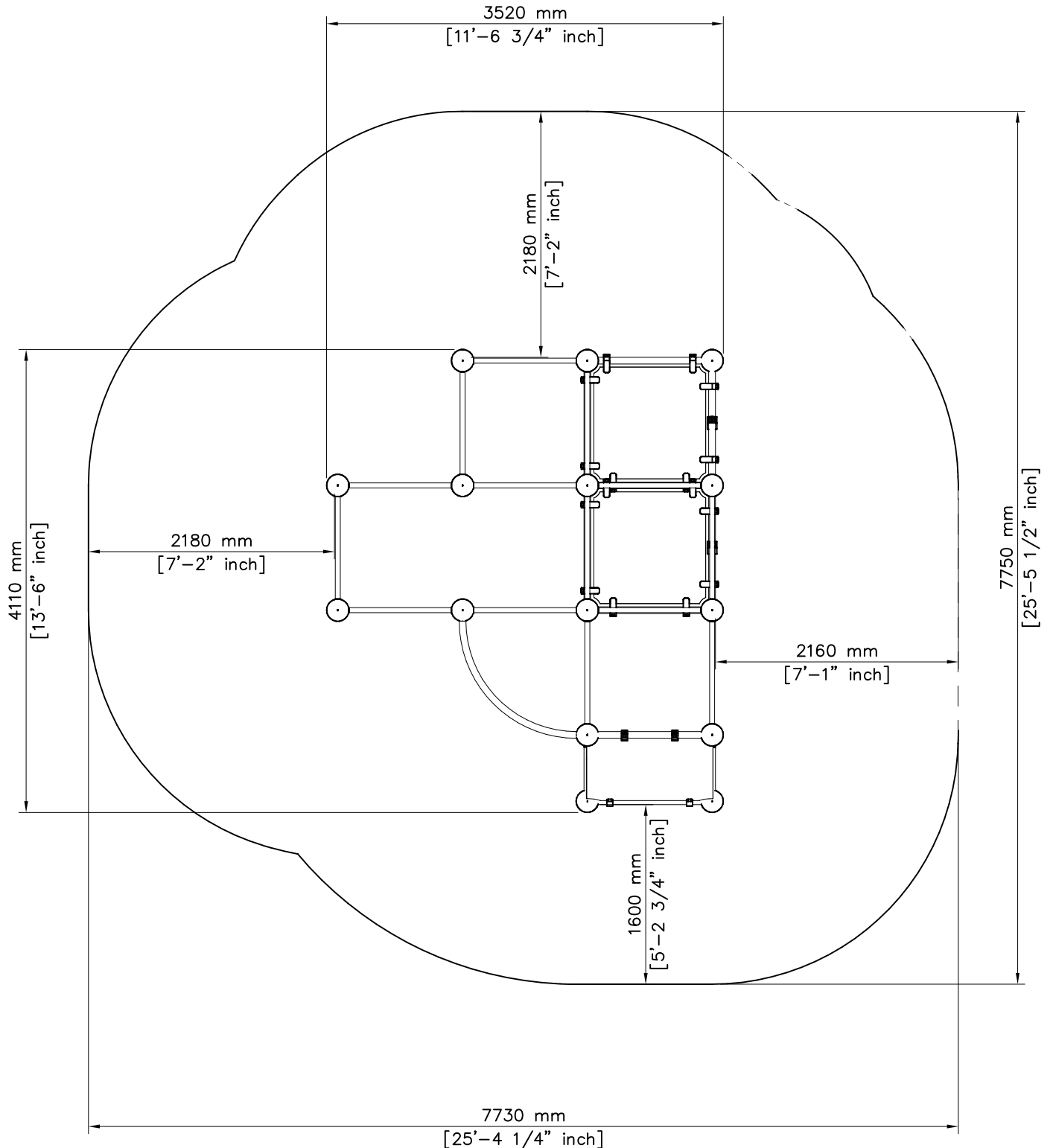
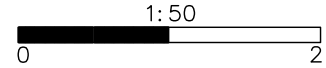
PARKOUR

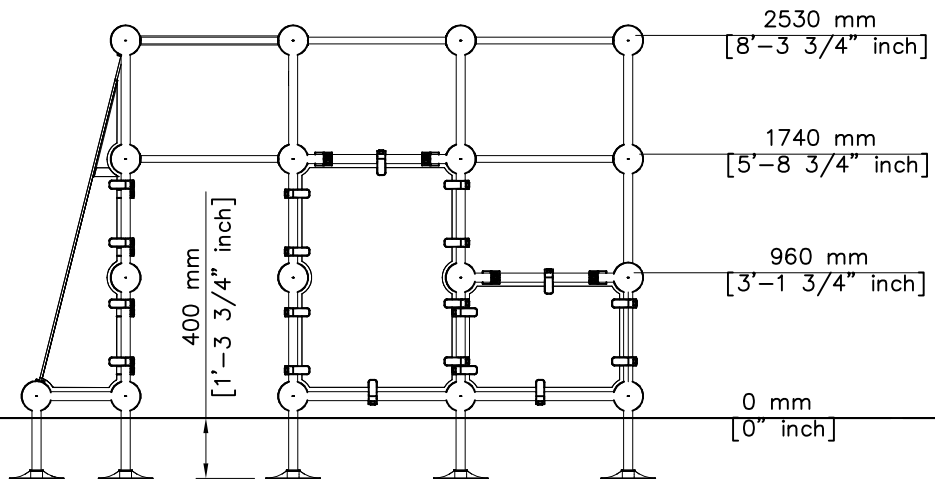
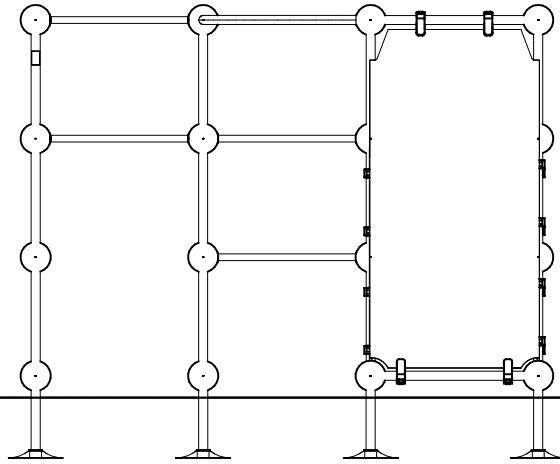
DATE: 23.2.2015

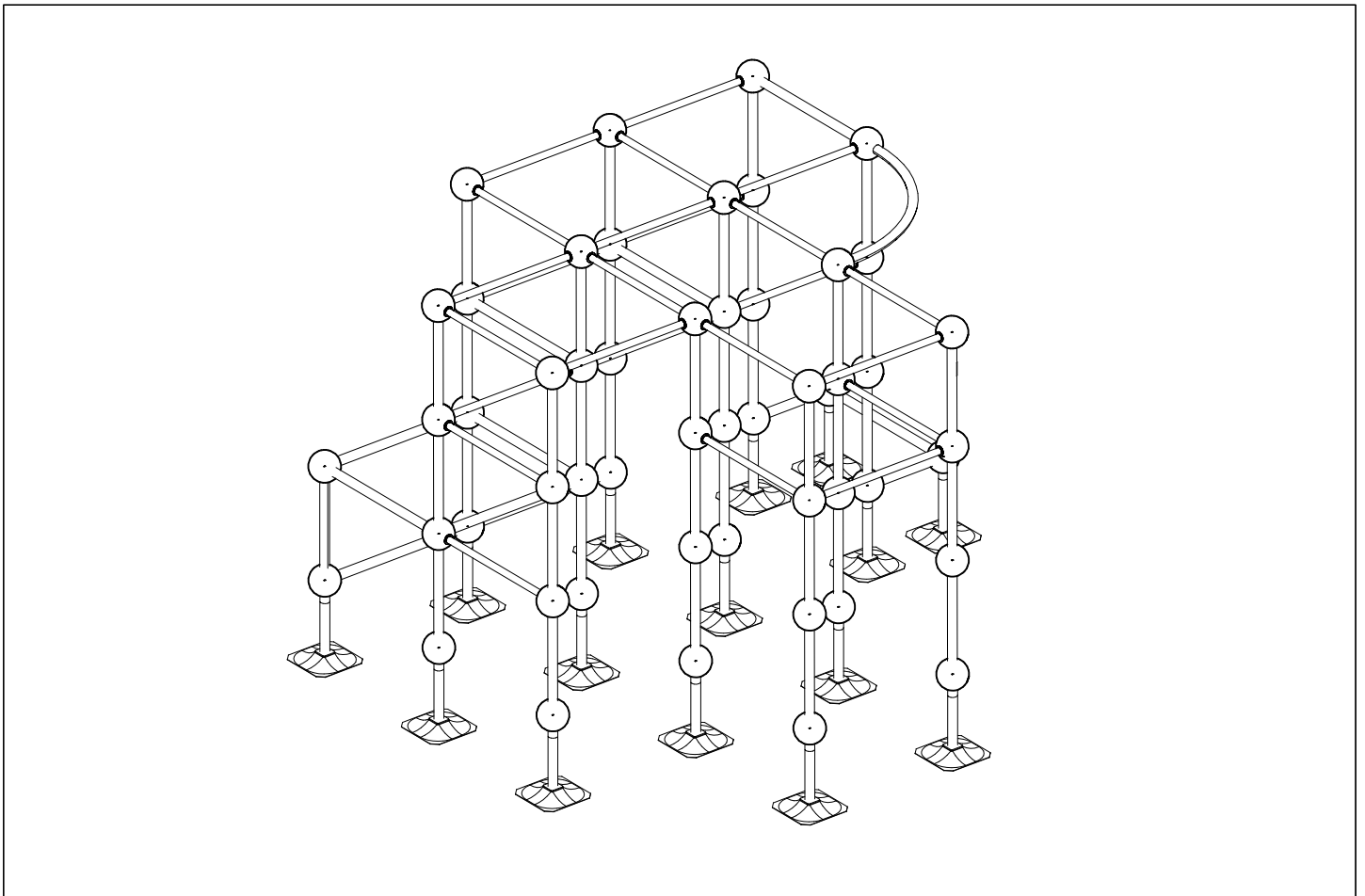
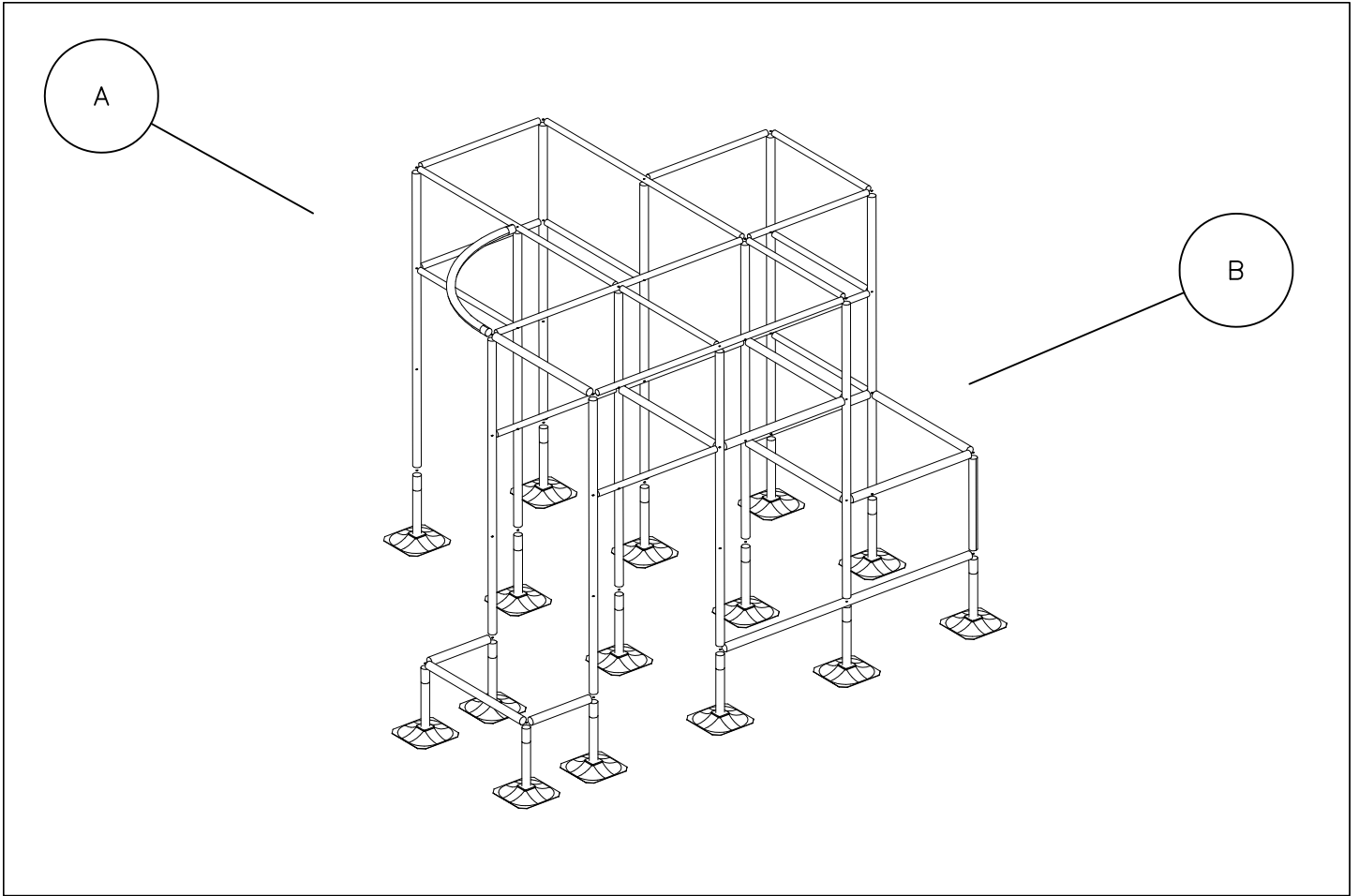
 701985 PCS 15 	 702341 PCS 1 	 703456 PCS 1 	 703459 PCS 1 	 703479 PCS 1 	 703487 PCS 1 
 703901 PCS 1 	 902022 PCS 1 L 710	 902134 PCS 52 	 904747 PCS 149 60x60x2	 902418 PCS 1	 902424 PCS 10 L 1034
 904015 PCS 14 Ø44.5x1034	 904032 PCS 12 L 2278	 904100 PCS 44 44.5-60.3	 904102 PCS 4 Ø44.5x2148	 904389 PCS 1 L 2148	 904414 PCS 2 L 515
PCS	PCS	PCS	PCS	PCS	PCS
PCS	PCS	PCS	PCS	PCS	PCS
PCS	PCS	PCS	PCS	PCS	PCS
PCS	PCS	PCS	PCS	PCS	PCS

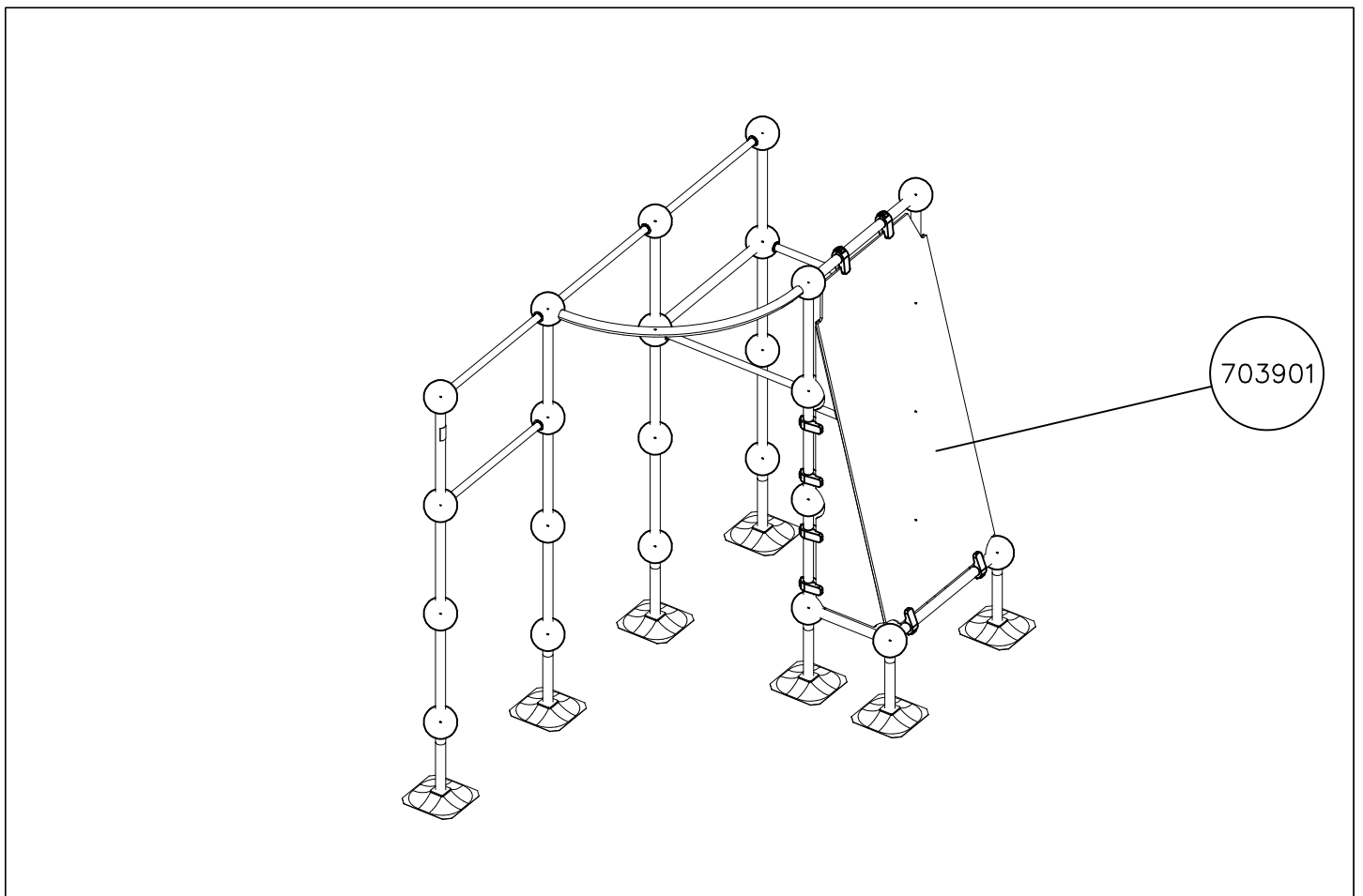
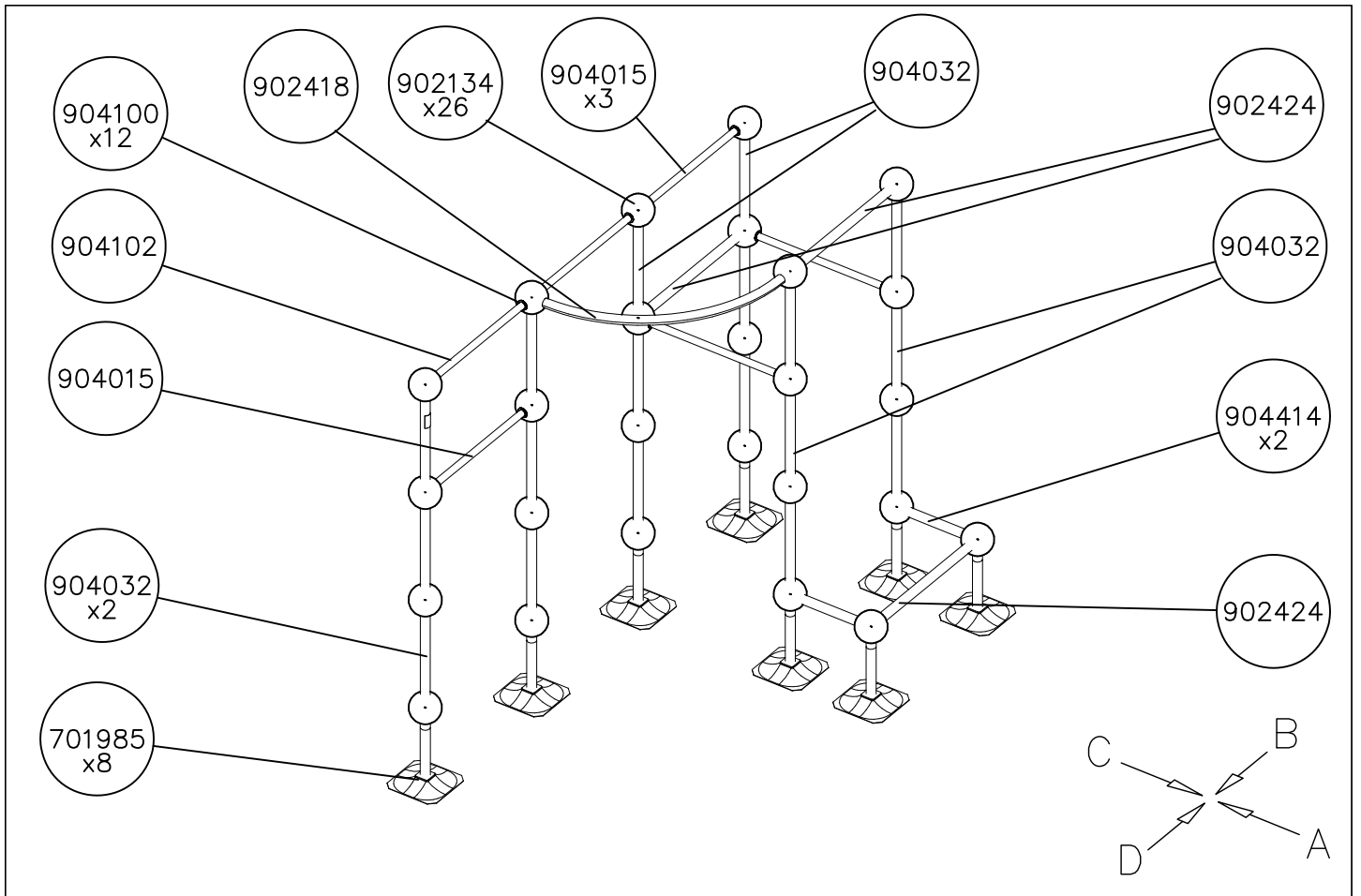


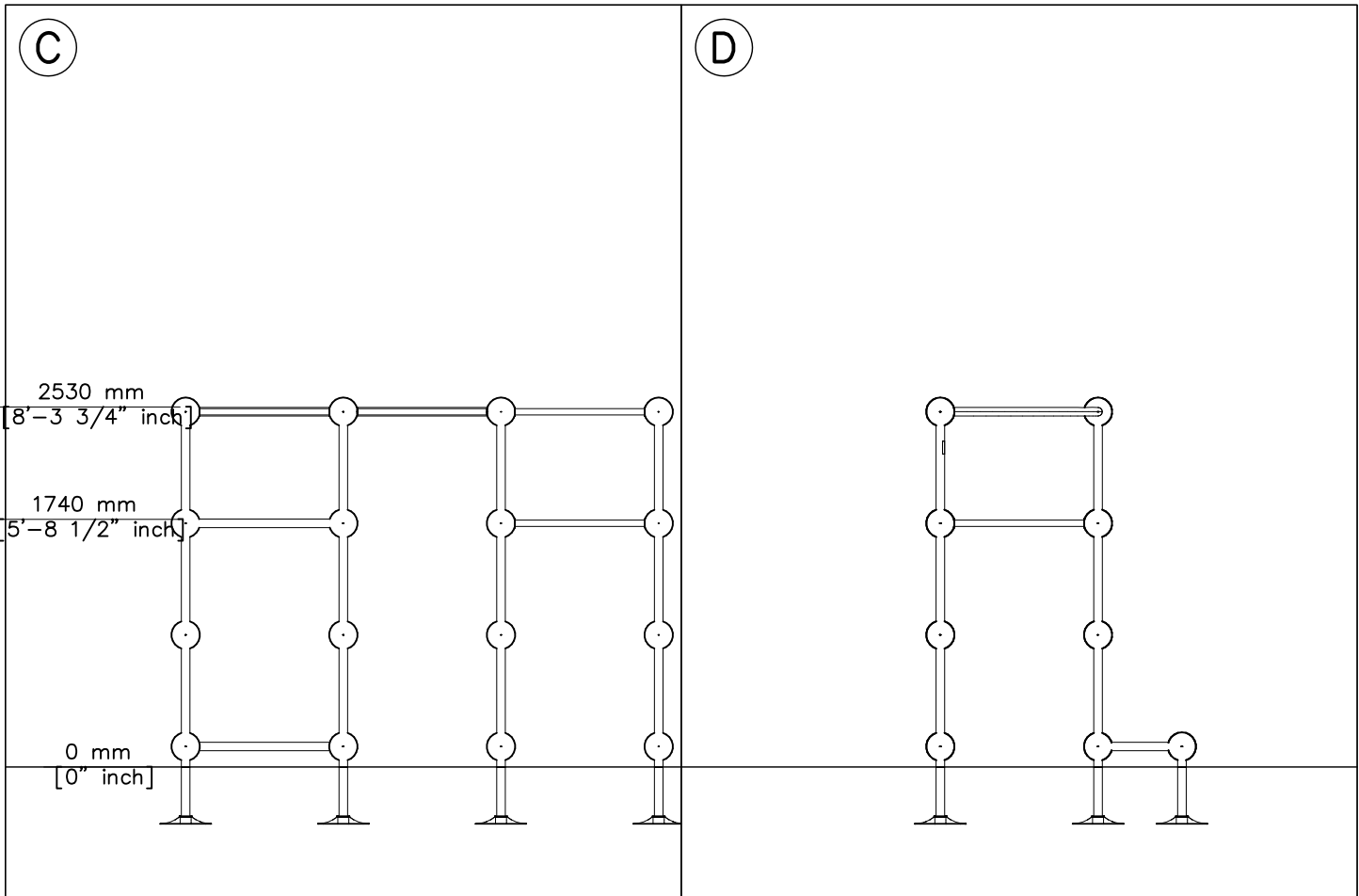
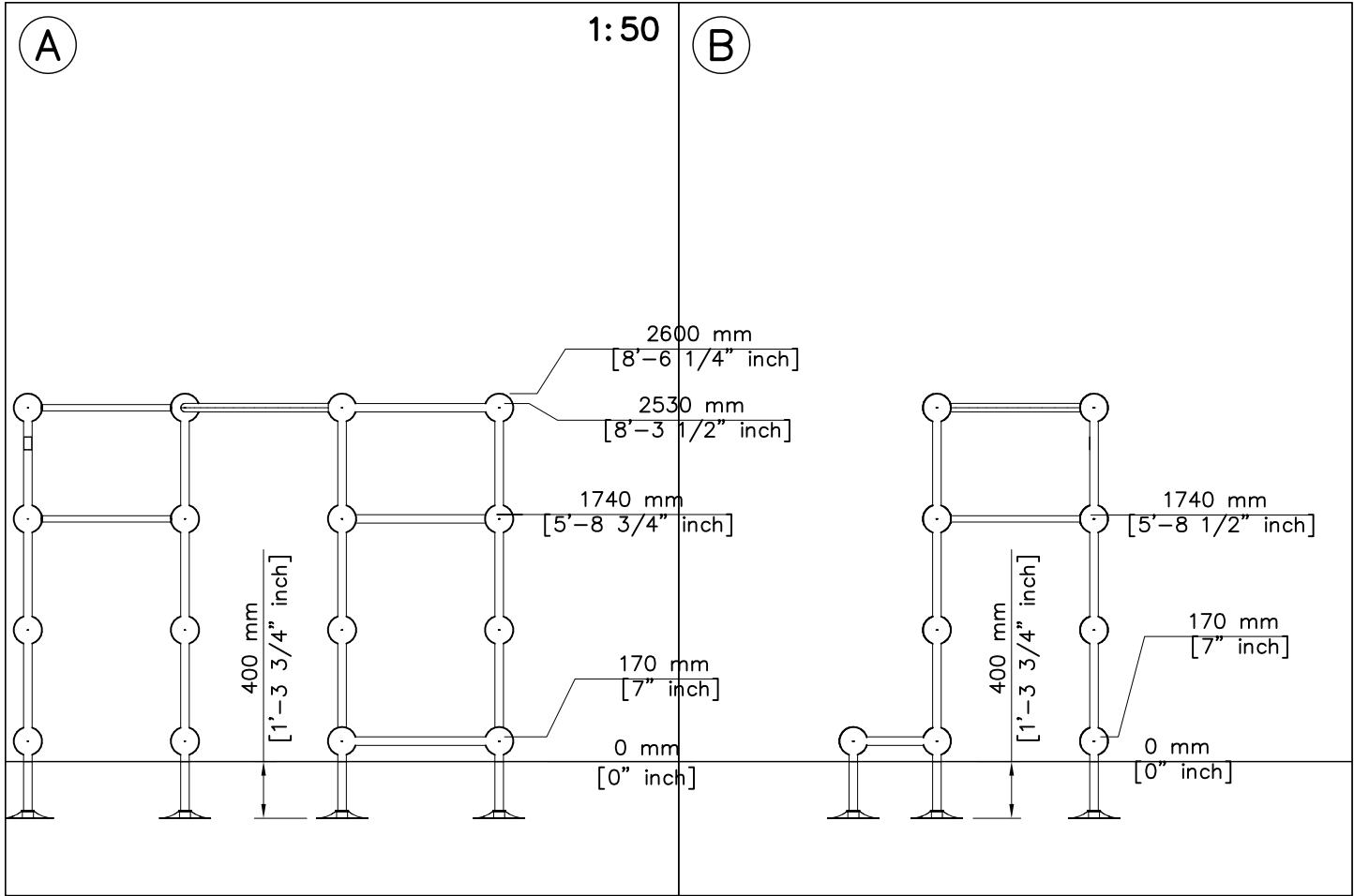
- EN/AS Impact Area 48.7 (524.2 sq ft)
- - - Falling Space 48.7 m2
- Max Falling Height 2530 mm (8'-3 3/4" in)

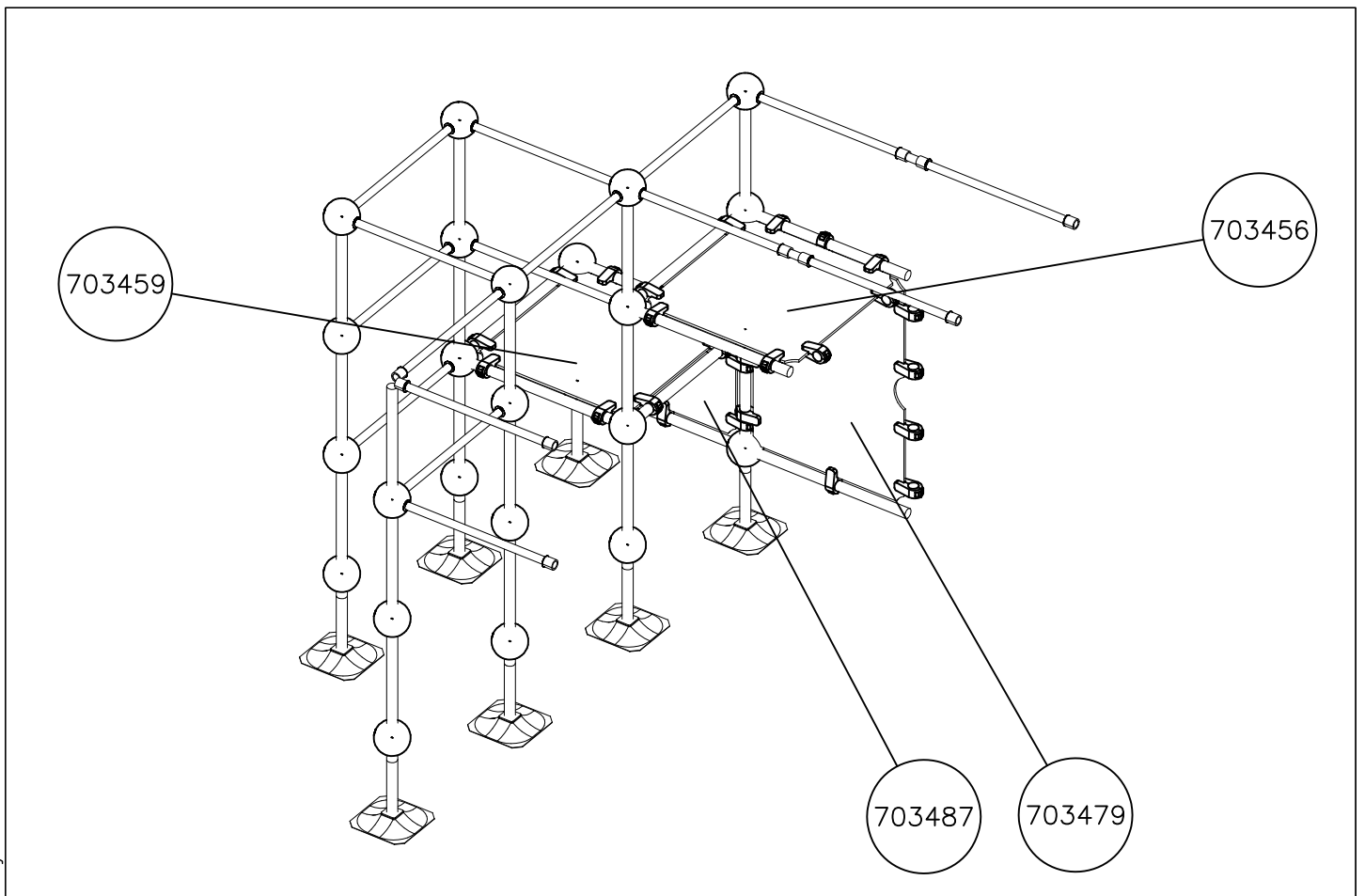
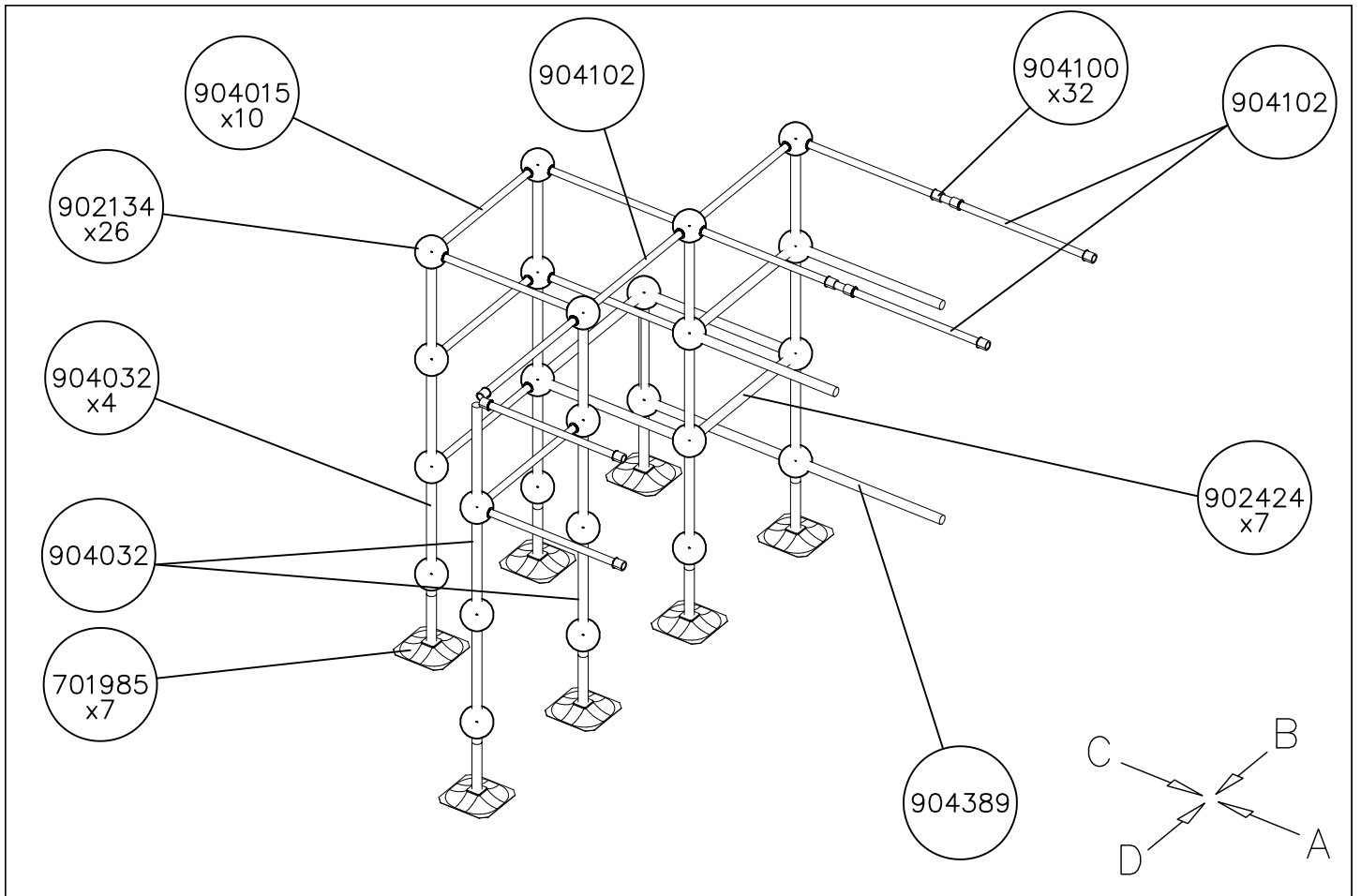


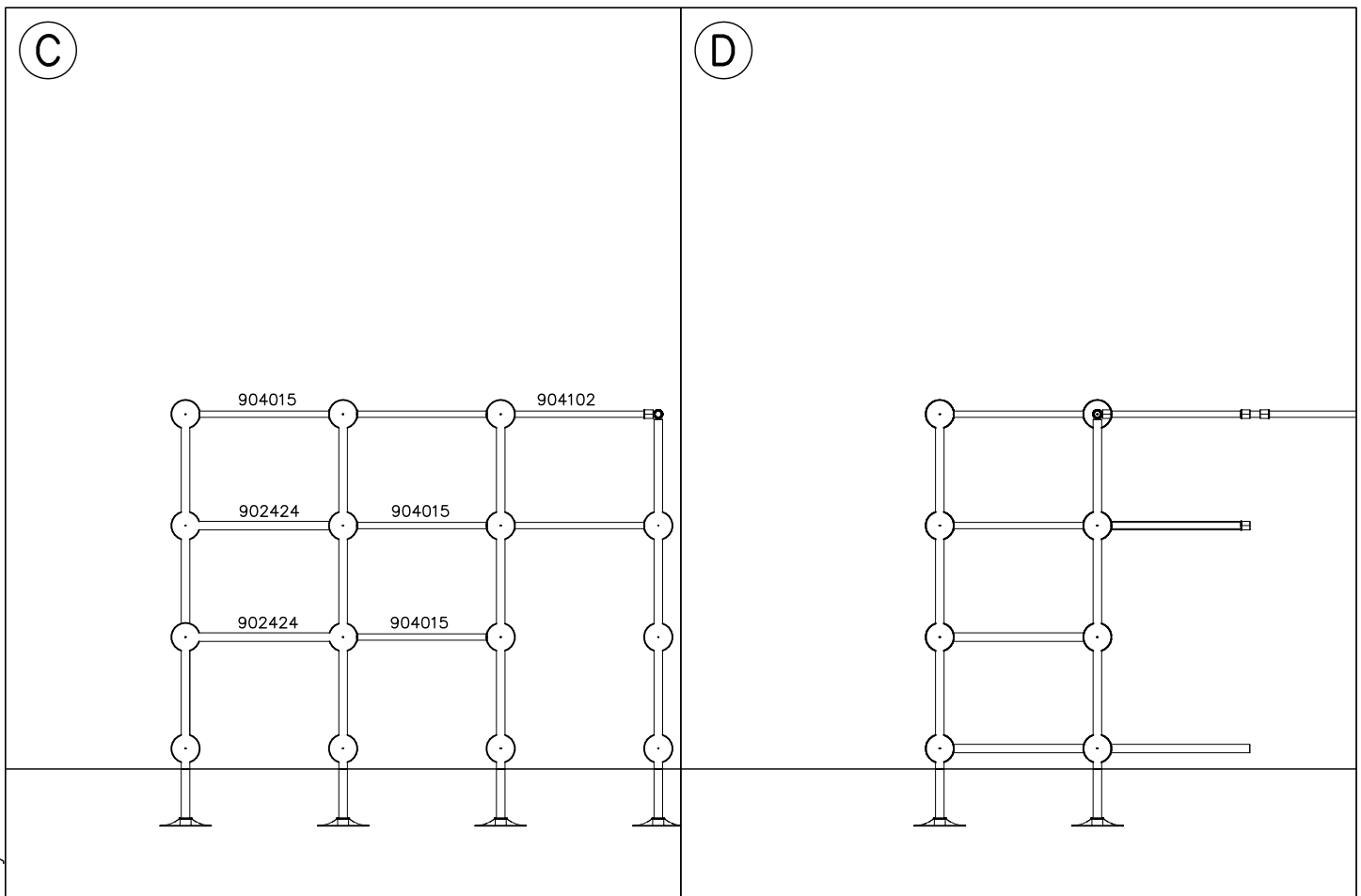
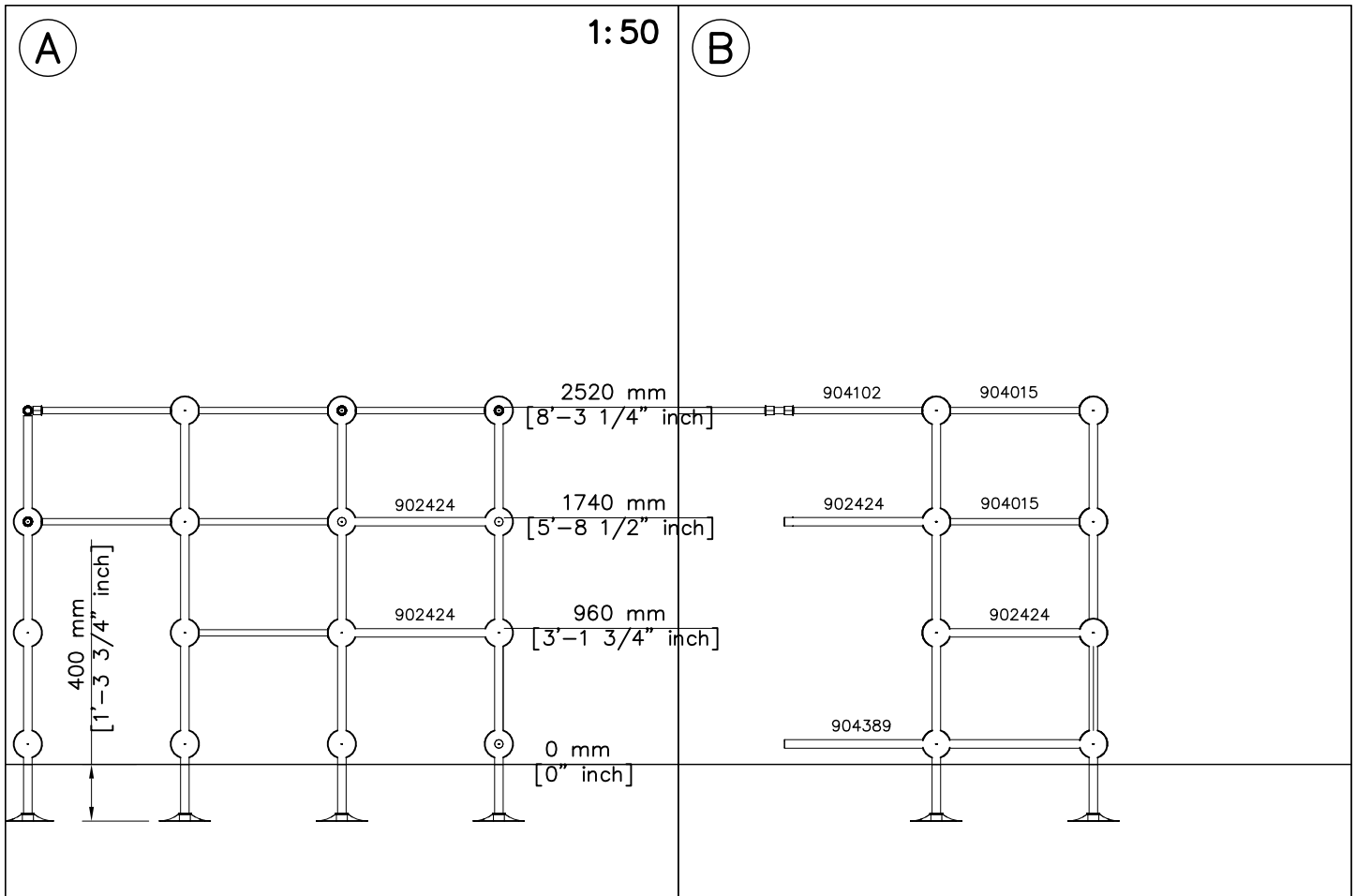


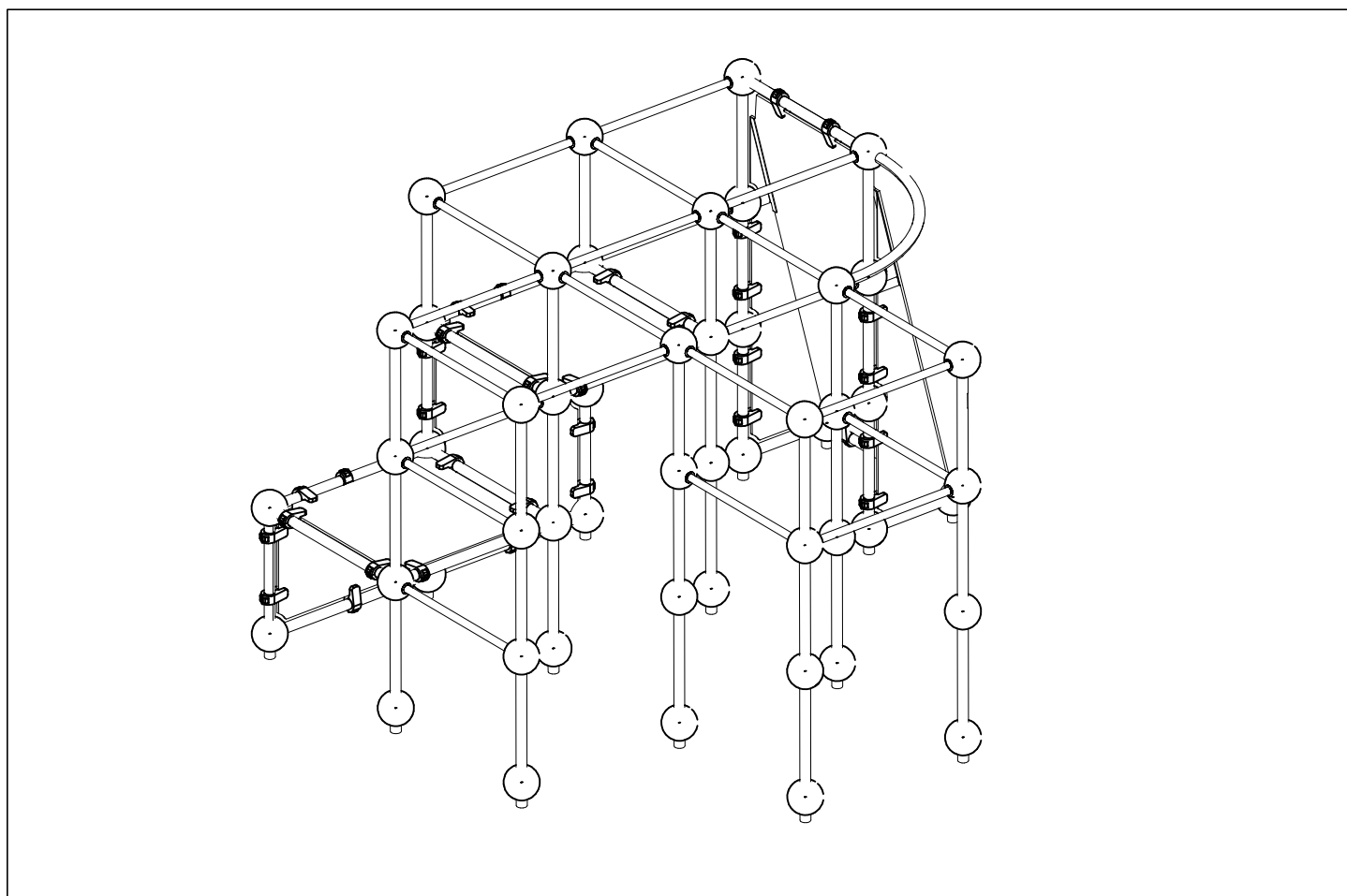
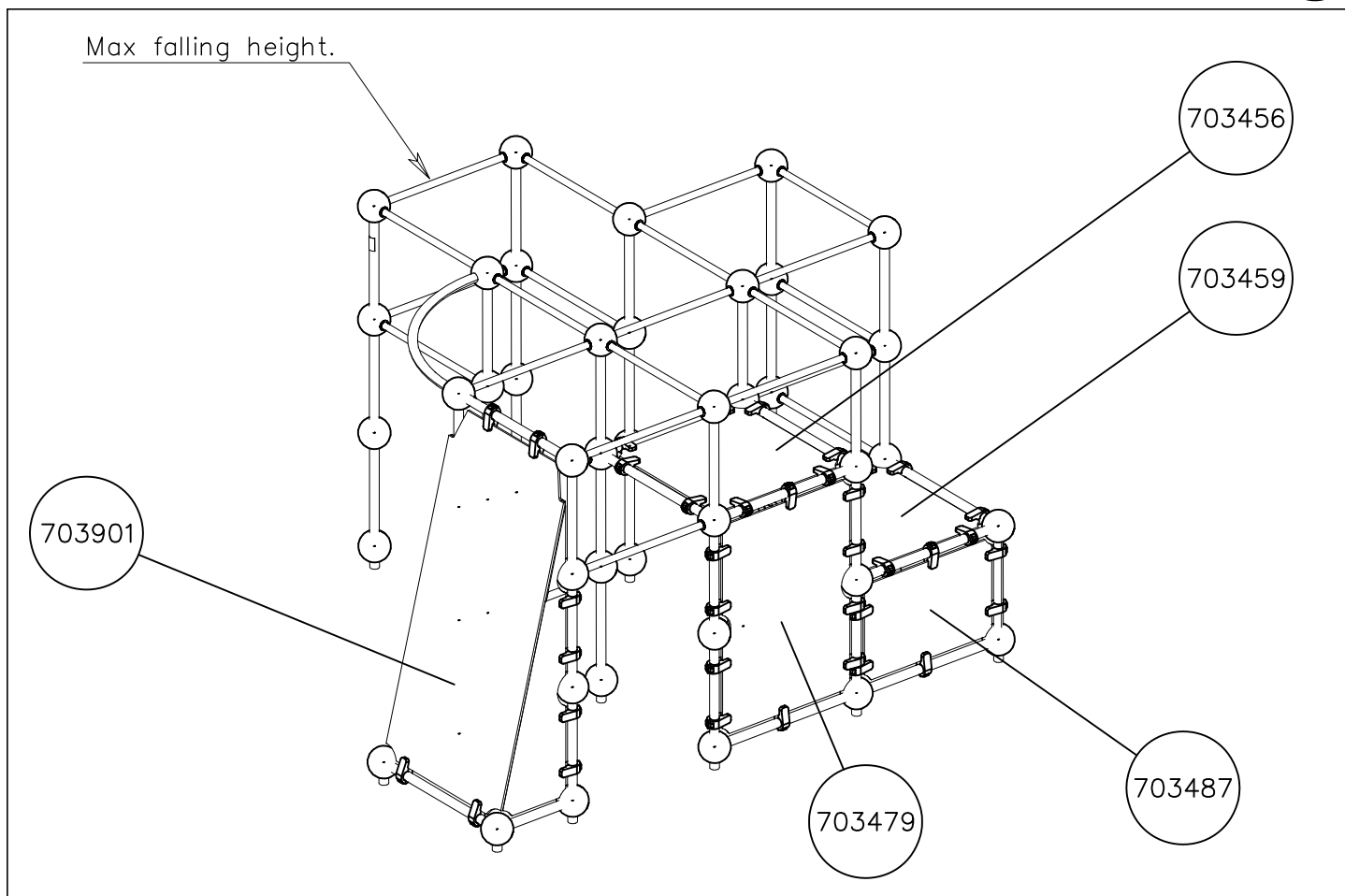








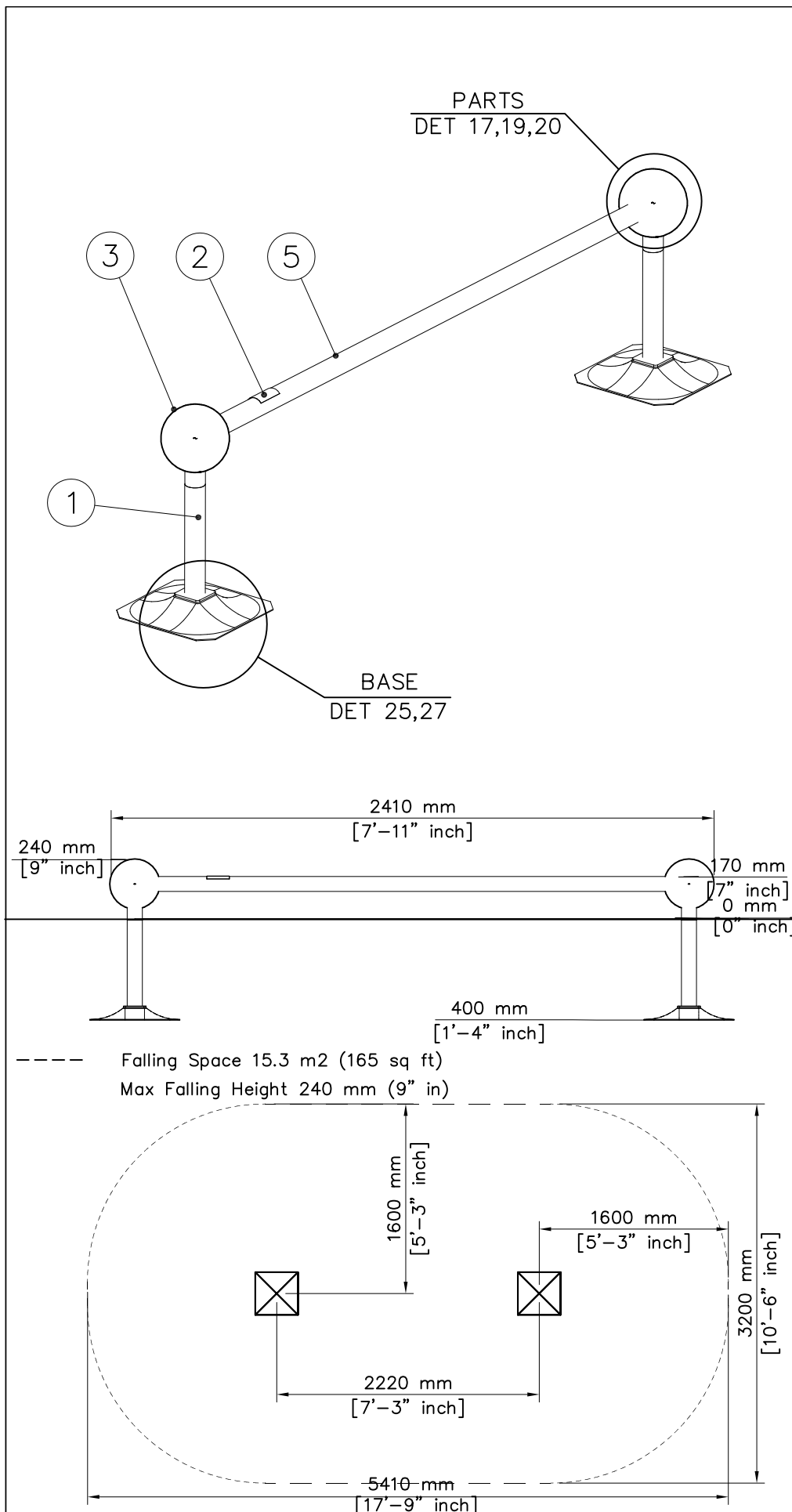




WINAM GROUP PARKOUR

220538

DATE: 7.1.2016

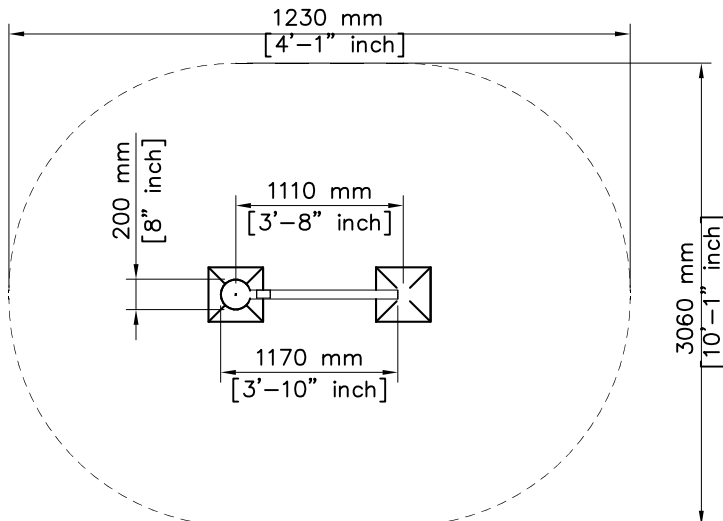
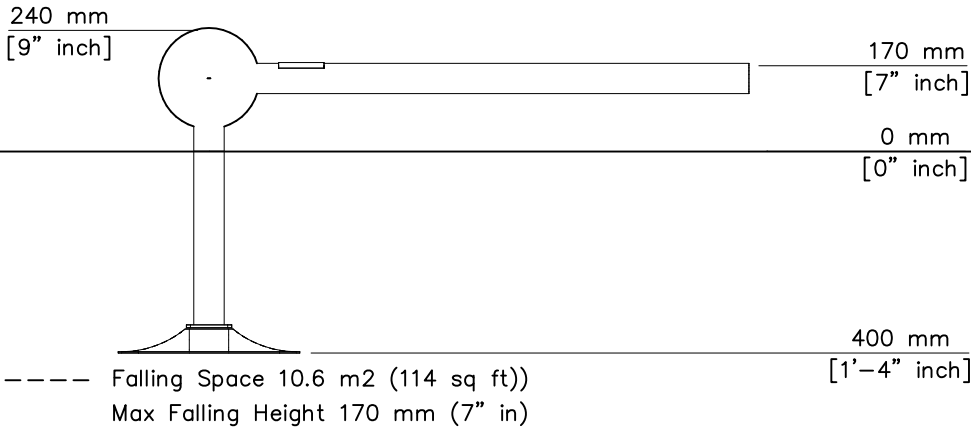
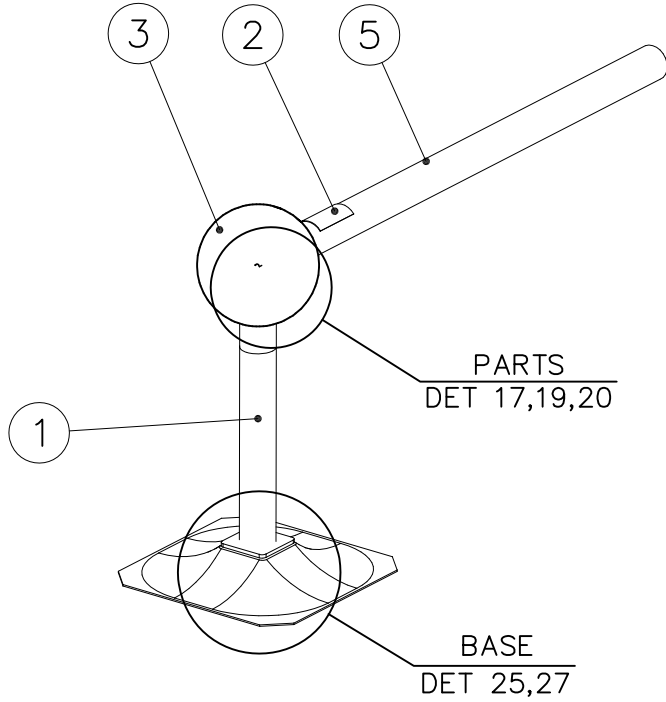


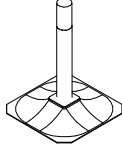
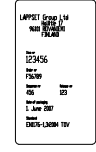
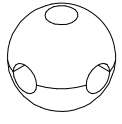
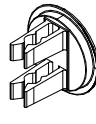
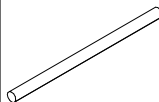
①	701985	PCS	②	702341	PCS
		2			1
			90x50		
③	902134	PCS	④	904747	PCS
		2			8
			60x60x2		
⑤	904130	PCS			PCS
		1			
L 2148					
		PCS			PCS
		PCS			PCS
		PCS			PCS
		PCS			PCS

WINAM GROUP PARKOUR

220539

DATE: 24.2.2015

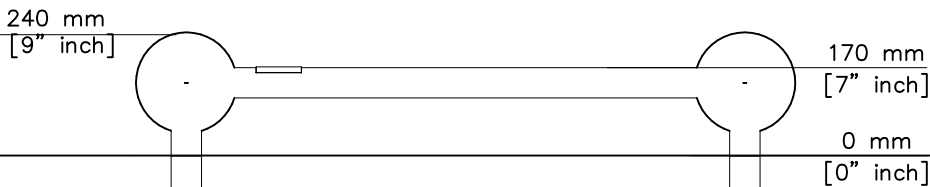
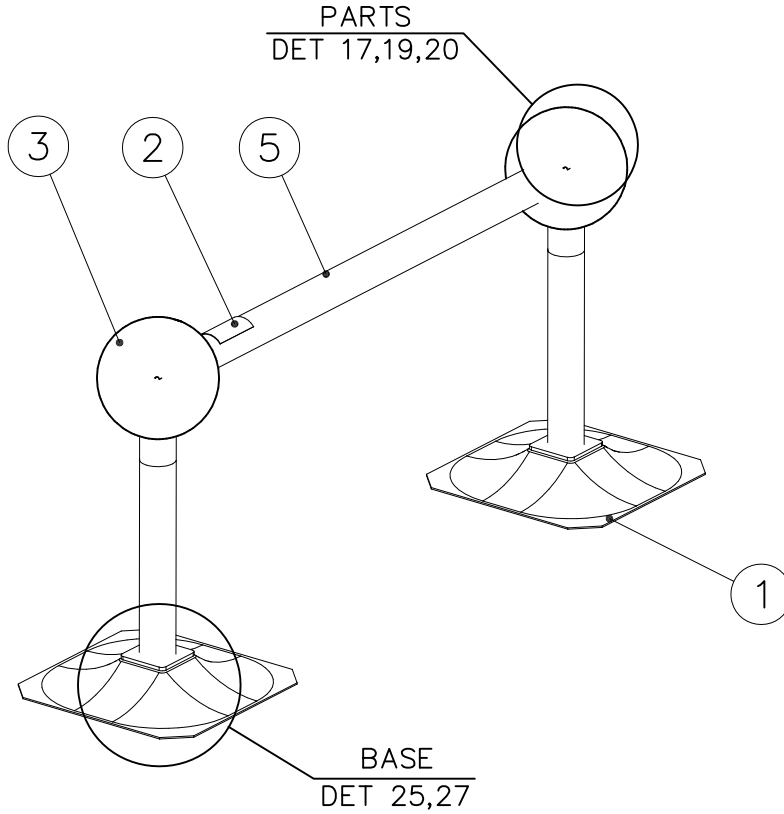


① 701985	PCS	② 702341	PCS
	1		1
		90x50	
③ 902134	PCS	④ 904747	PCS
	1		4
		60x60x2	
⑤ 902424	PCS		PCS
	1		
L 1034			
	PCS		PCS
	PCS		PCS
	PCS		PCS
	PCS		PCS

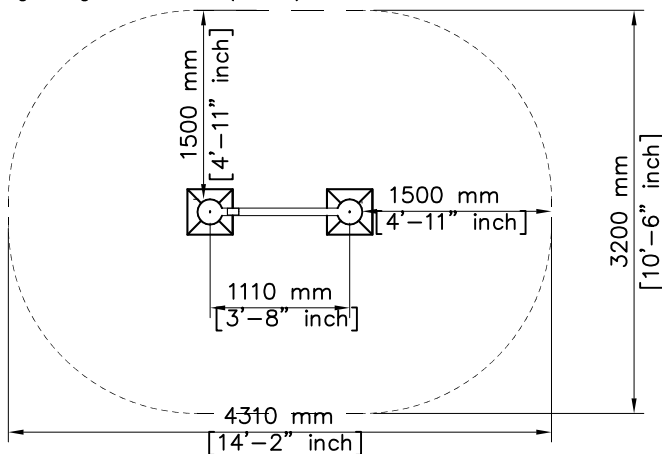
WINAM GROUP PARKOUR

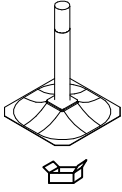

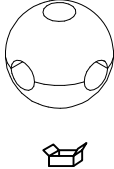

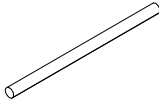
220540

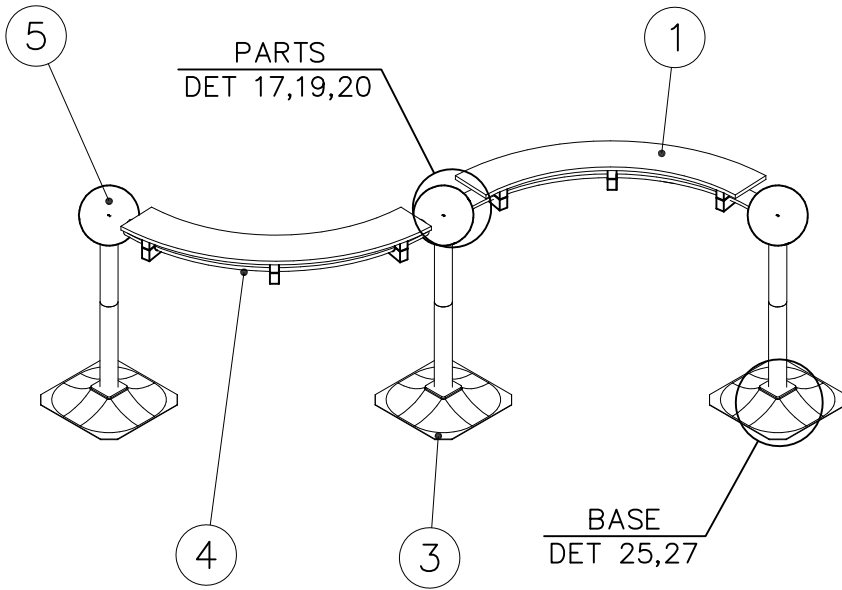
DATE: 7.1.2016



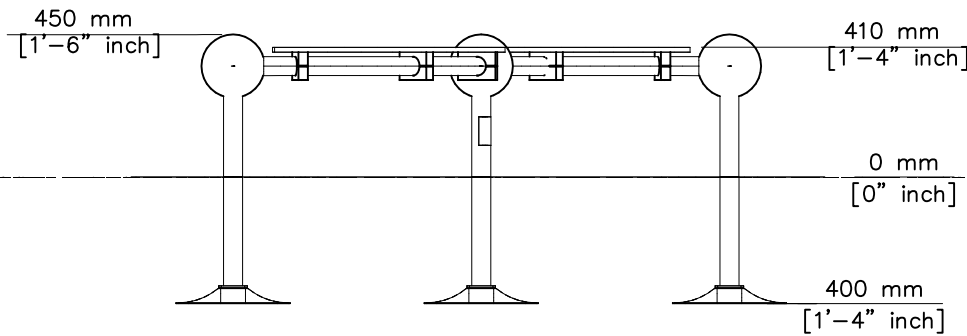
400 mm [1'-4 inch]
 Falling Space 11.9 m² (128.4 sq ft)
 Max Falling Height 170mm (7" in)



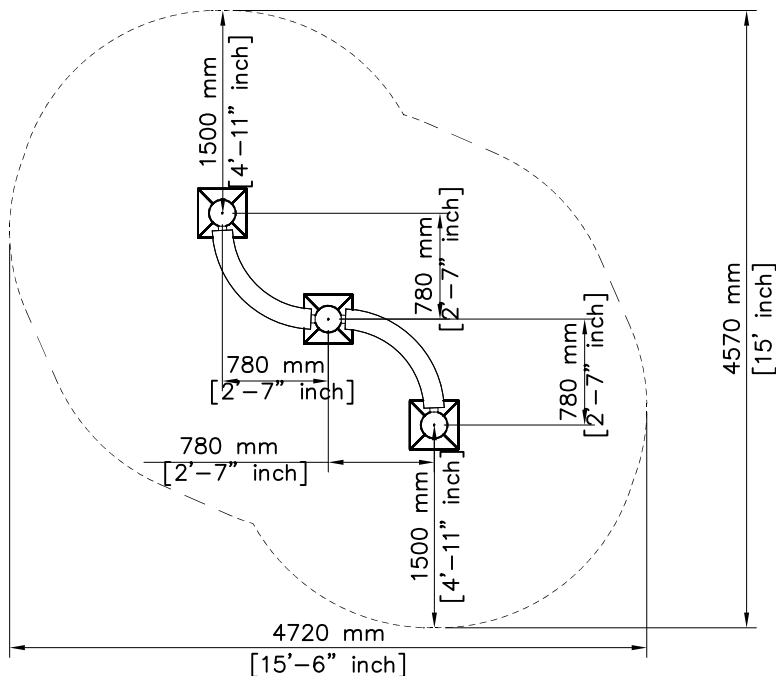
Part No.	Quantity	Unit	Part No.	Quantity	Unit
① 701985	2	PCS	② 702341	1	PCS
					
			90x50		
③ 902134	2	PCS	④ 904747	8	PCS
					
			60x60x2		
⑤ 902424	1	PCS			PCS
					
L 1034					
		PCS			PCS
		PCS			PCS
		PCS			PCS
		PCS			PCS
		PCS			PCS

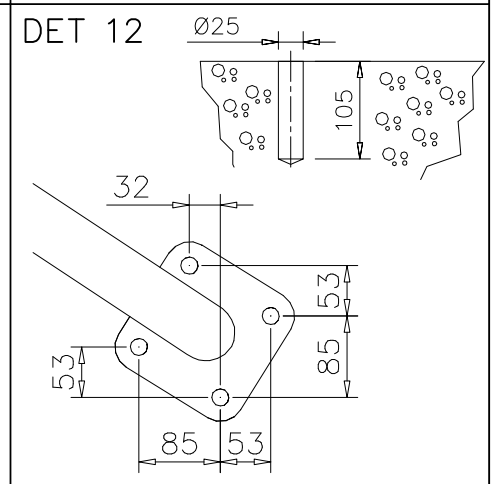
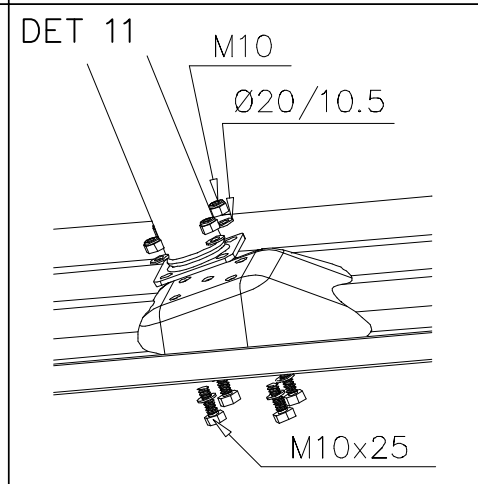
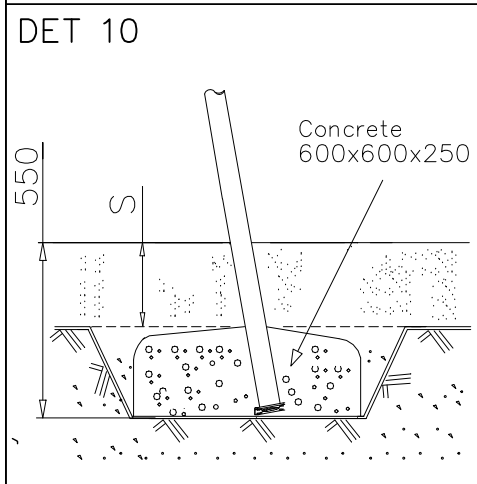
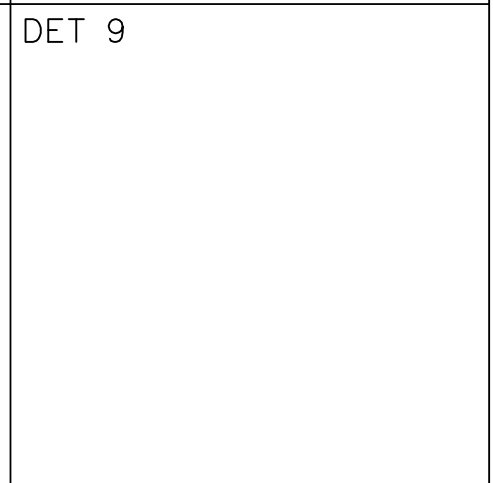
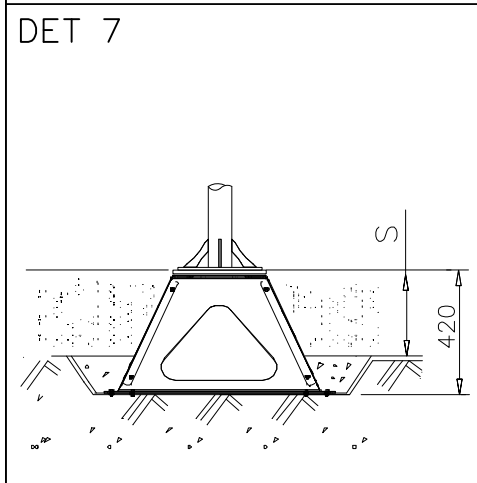
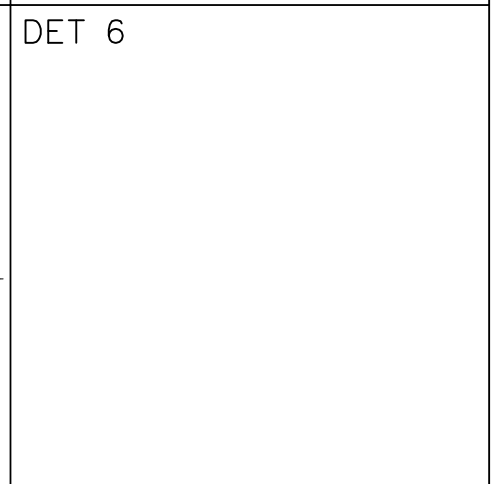
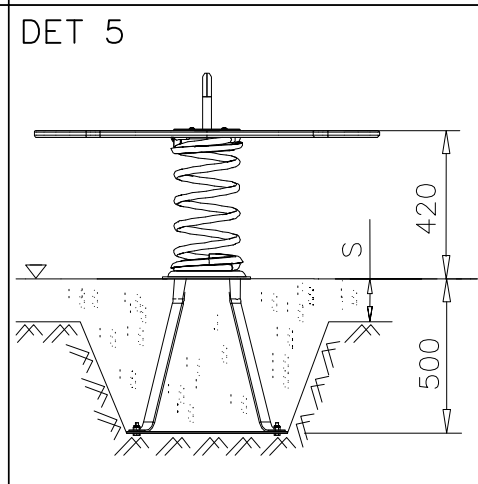
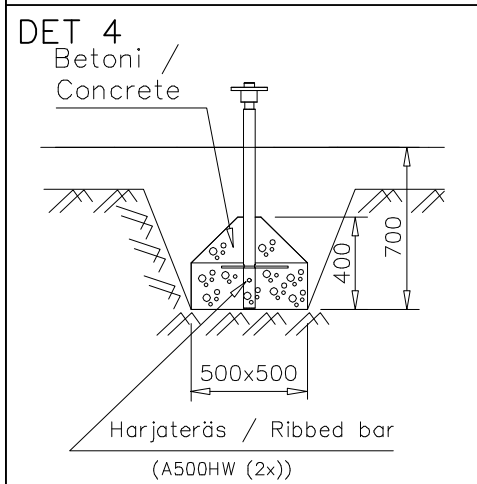
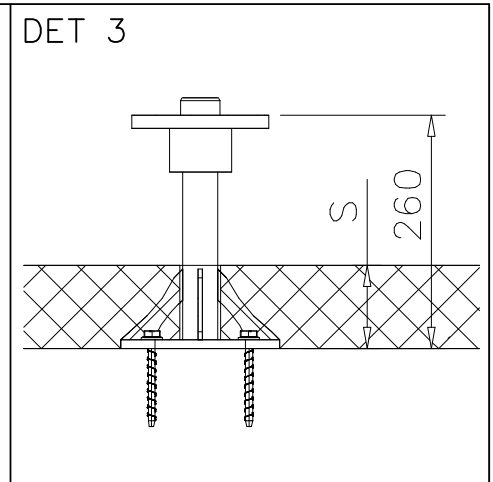
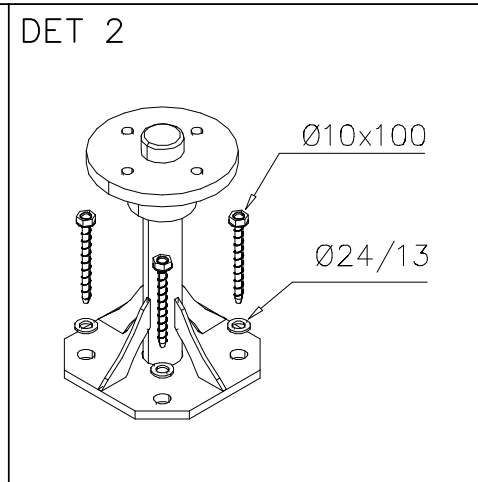
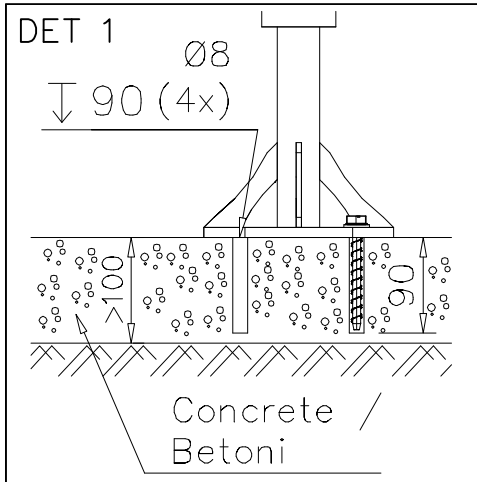


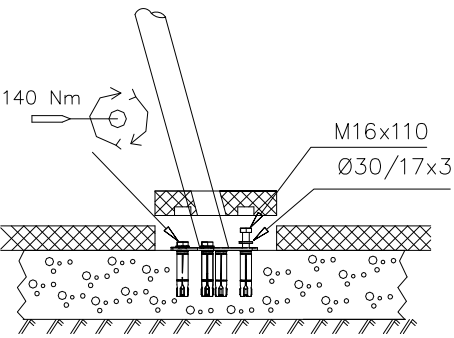
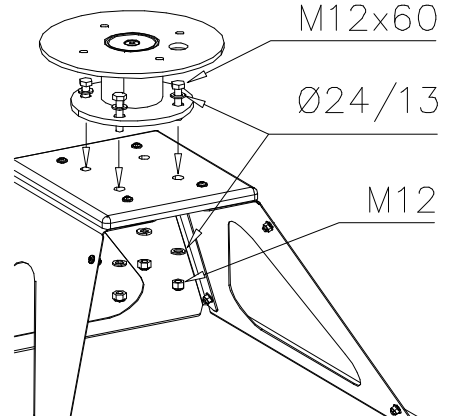
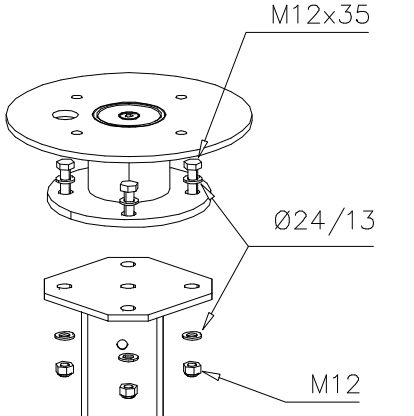
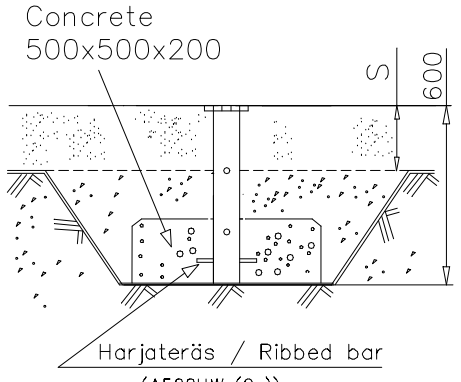
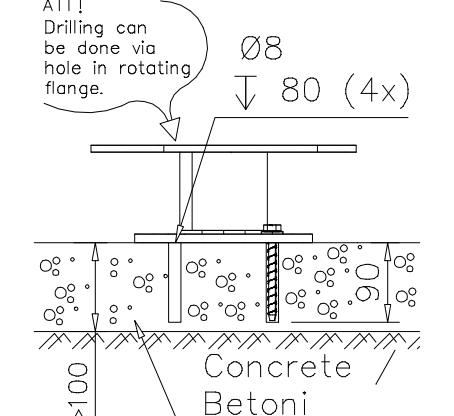
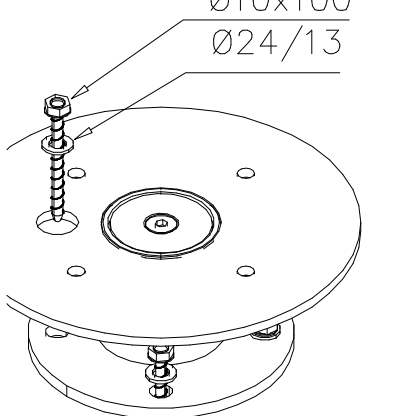
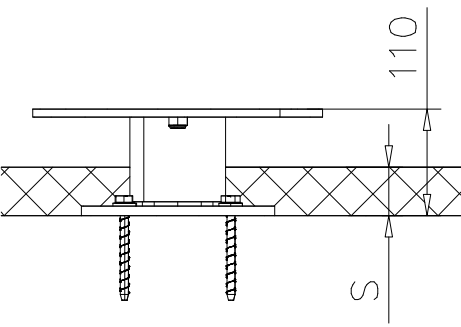
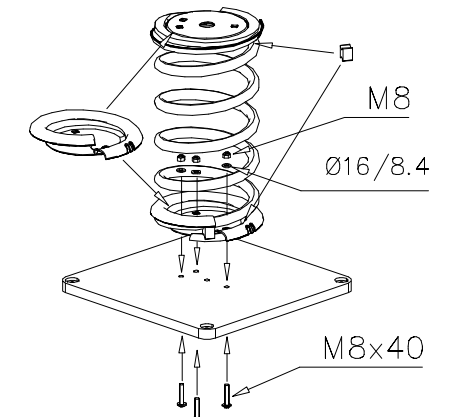
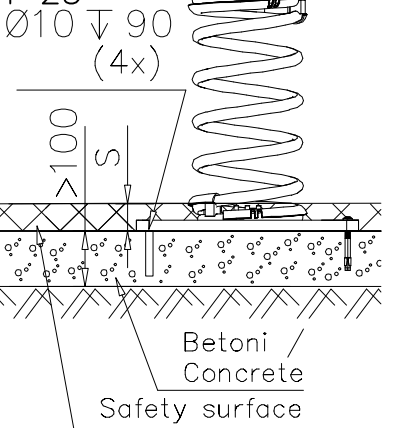
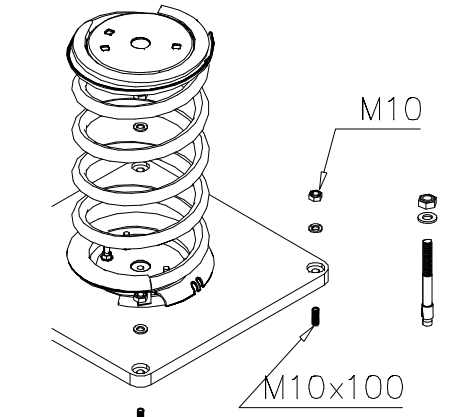
① 702252	PCS	② 702341	PCS
	2		1
		90x50	
③ 703460	PCS	④ 901941	PCS
	3		2
⑤ 902134	PCS	⑥ 904747	PCS
	3		11
		60x60x2	
	PCS		PCS
	PCS		PCS
	PCS		PCS
	PCS		PCS
	PCS		PCS

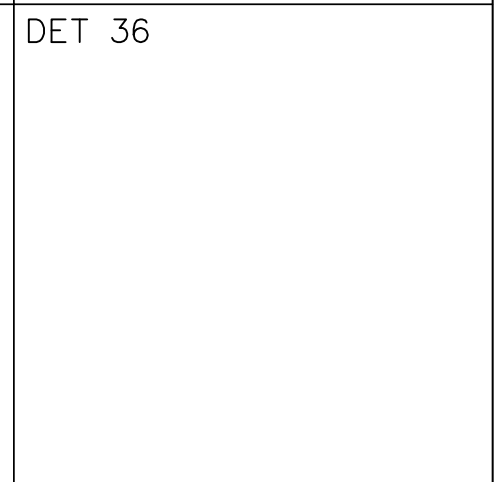
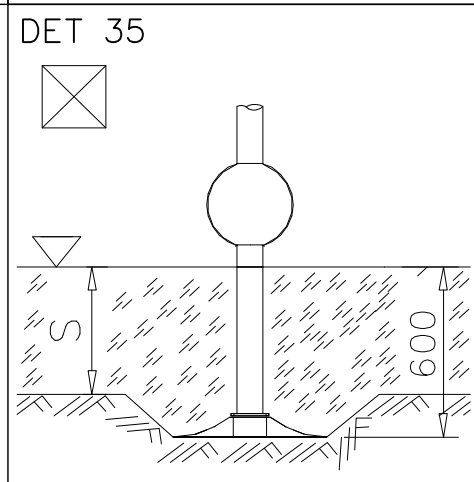
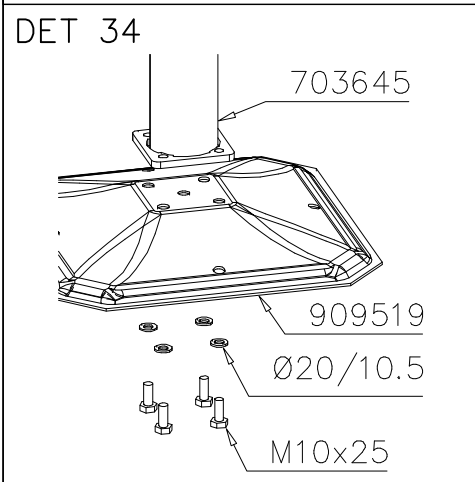
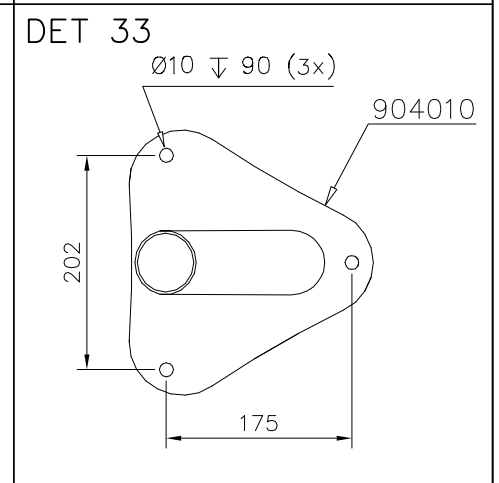
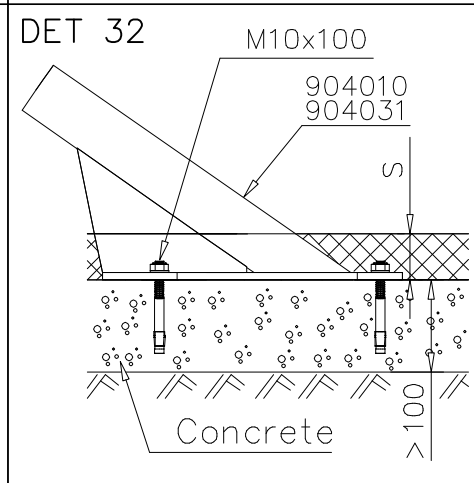
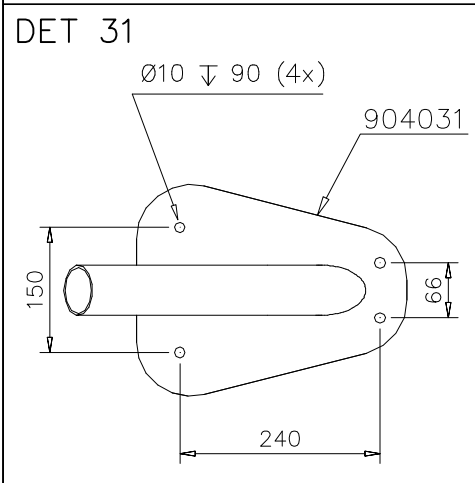
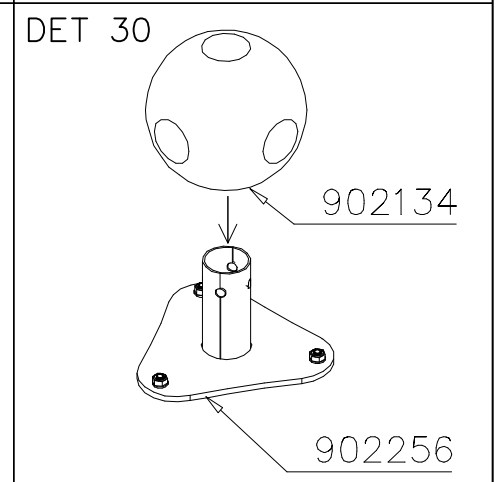
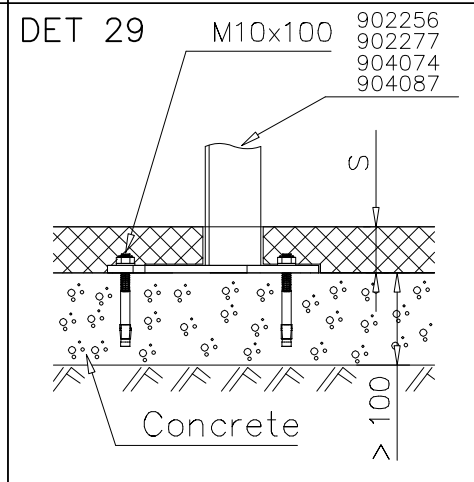
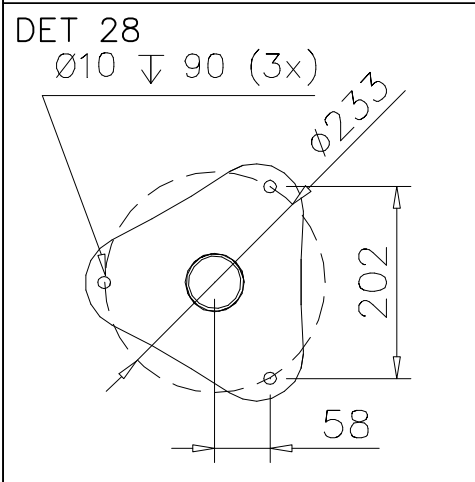
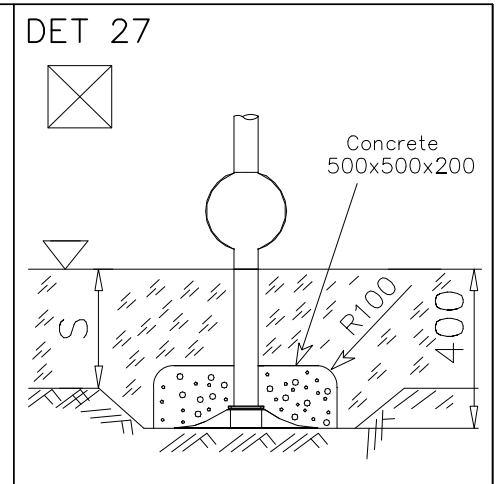
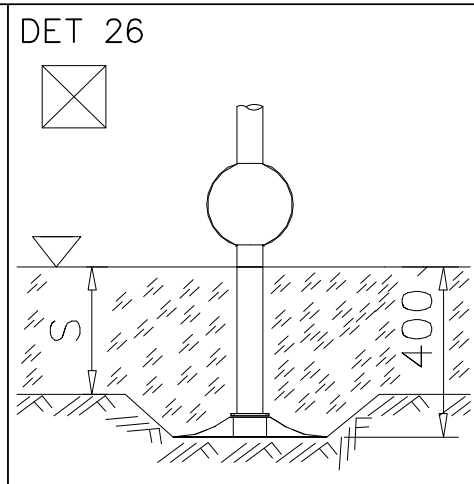
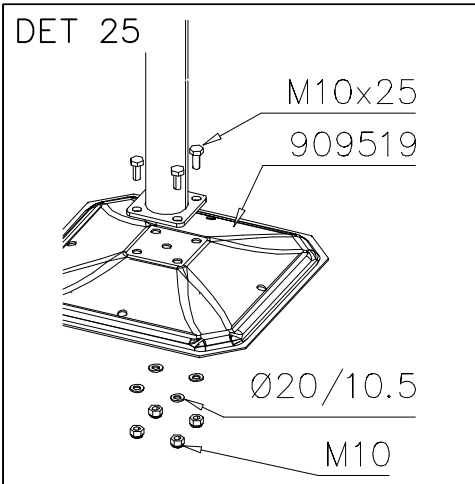


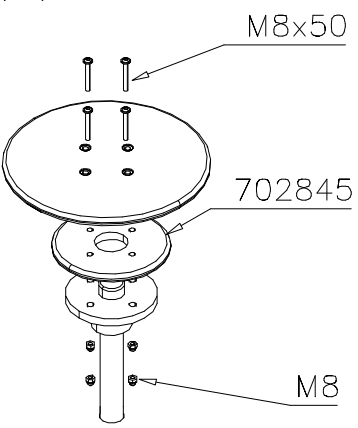
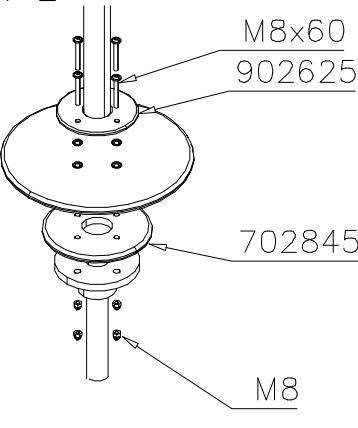

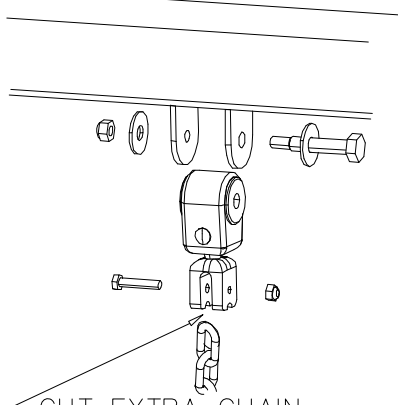
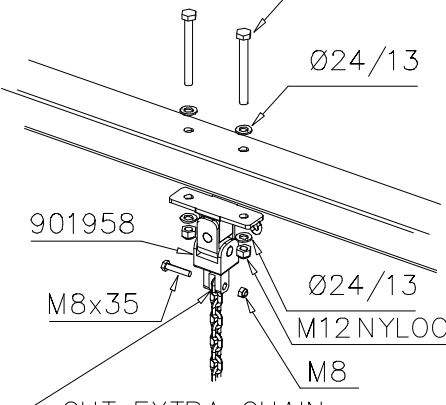
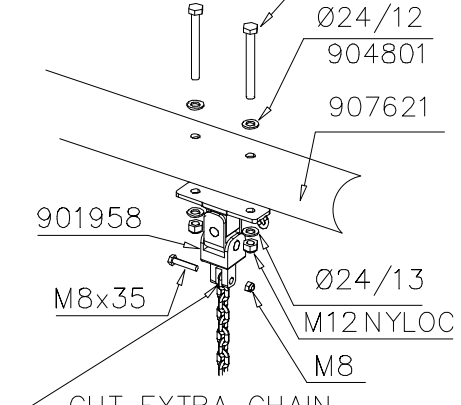
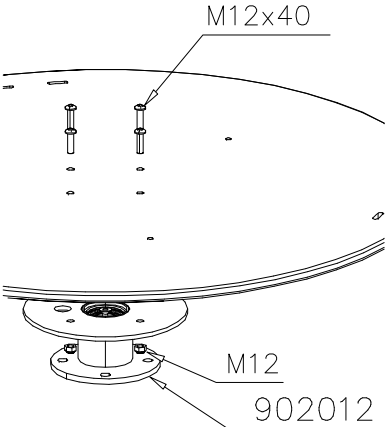
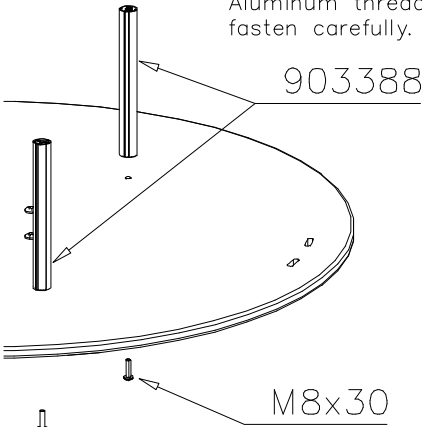
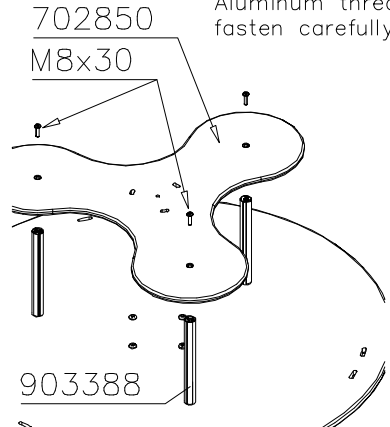
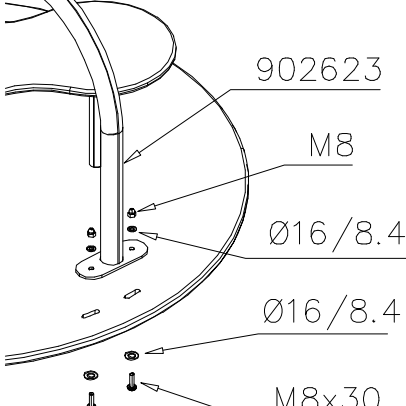
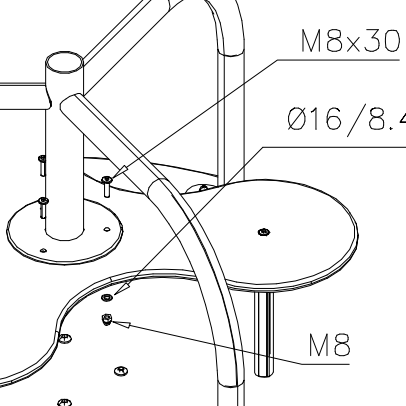
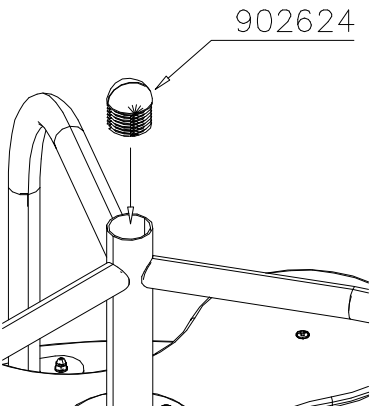
--- Falling Space 14.9 m² (161.4 sq ft)
Max Falling Height 410 mm (1'-4" in)

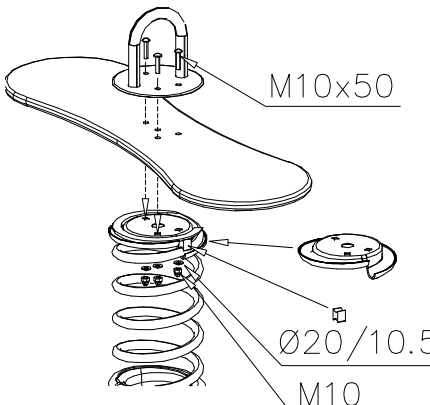
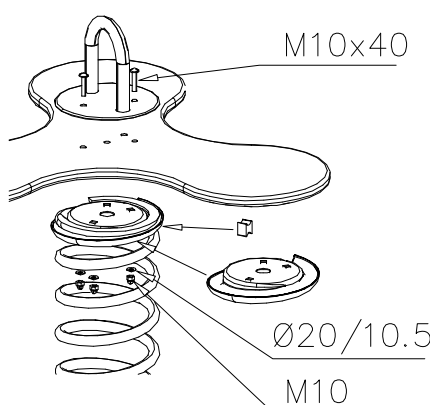
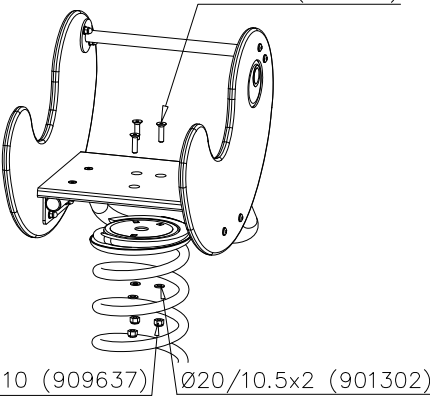
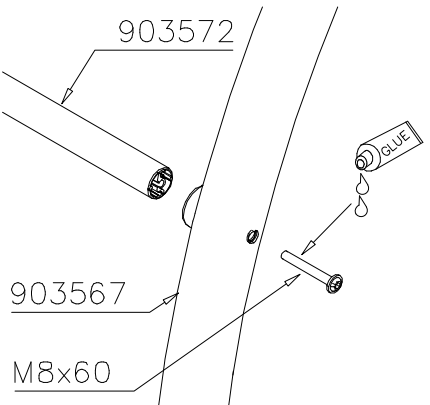
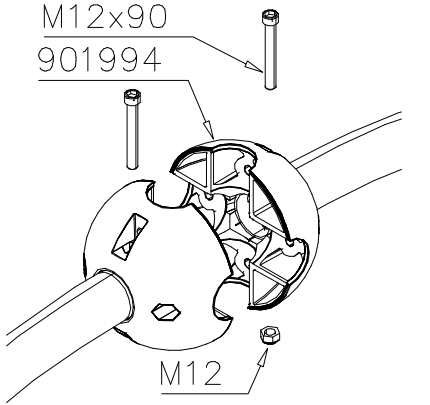
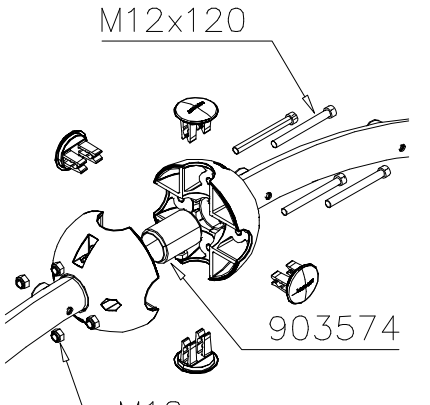
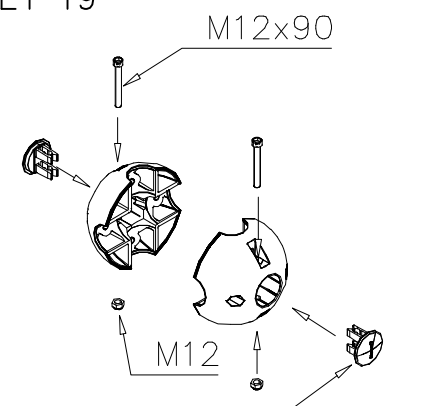
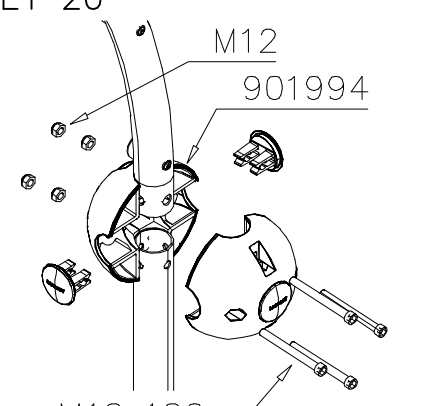
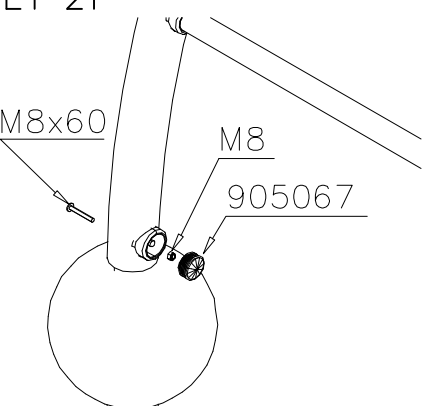
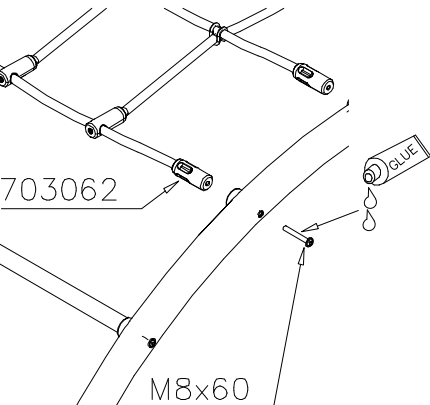

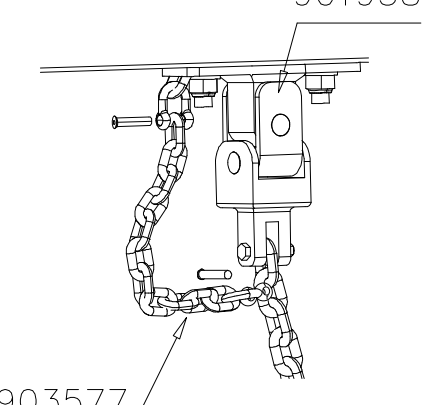




<p>DET 13</p>  <p>140 Nm</p> <p>M16x110 Ø30/17x3</p>	<p>DET 14</p>	<p>DET 15</p>
<p>DET 16</p>  <p>M12x60 Ø24/13 M12</p>	<p>DET 17</p>  <p>M12x35 Ø24/13 M12</p>	<p>DET 18</p>  <p>Concrete 500x500x200</p> <p>600</p> <p>Harjateräs / Ribbed bar (A500HW (2x))</p>
<p>DET 19</p> <p>ATT! Drilling can be done via hole in rotating flange.</p>  <p>Ø8 80 (4x)</p> <p>Concrete / Betoni</p> <p>>100</p>	<p>DET 20</p>  <p>Ø10x100 Ø24/13</p>	<p>DET 21</p>  <p>110</p> <p>S</p>
<p>DET 22</p>  <p>M8 Ø16/8.4 M8x40</p>	<p>DET 23</p>  <p>Ø10x90 (4x)</p> <p>>100 S</p> <p>Betoni / Concrete Safety surface</p>	<p>DET 24</p>  <p>M10 M10x100</p>



<p>DET 1</p> 	<p>DET 2</p> 	<p>DET 3</p> 
<p>DET 4</p>  <p>CUT EXTRA CHAIN</p>	<p>DET 5</p>  <p>CUT EXTRA CHAIN</p>	<p>DET 6</p>  <p>CUT EXTRA CHAIN</p>
<p>DET 7</p> 	<p>DET 8</p> <p>NOTE: Aluminum thread fasten carefully.</p> 	<p>DET 9</p> <p>NOTE: Aluminum thread fasten carefully.</p> 
<p>DET 10</p> 	<p>DET 11</p> 	<p>DET 12</p> 

<p>DET 13</p>  <p>M10x50</p> <p>Ø20/10.5</p> <p>M10</p>	<p>DET 14</p>  <p>M10x40</p> <p>Ø20/10.5</p> <p>M10</p>	<p>DET 15</p>  <p>M10x40 (901487)</p> <p>M10 (909637)</p> <p>Ø20/10.5x2 (901302)</p>
<p>DET 16</p>  <p>903572</p> <p>903567</p> <p>M8x60</p> <p>GLUE</p>	<p>DET 17</p>  <p>M12x90 (901994)</p> <p>M12</p>	<p>DET 18</p>  <p>M12x120</p> <p>903574</p> <p>M12</p>
<p>DET 19</p>  <p>M12x90</p> <p>M12</p> <p>902157</p>	<p>DET 20</p>  <p>M12</p> <p>901994</p> <p>M12x120</p>	<p>DET 21</p>  <p>M8x60</p> <p>M8 (905067)</p>
<p>DET 22</p>  <p>703062</p> <p>M8x60</p> <p>GLUE</p>	<p>DET 23</p> 	<p>DET 24</p>  <p>901958</p> <p>903577</p>

DET 25-26

M12x120

904100

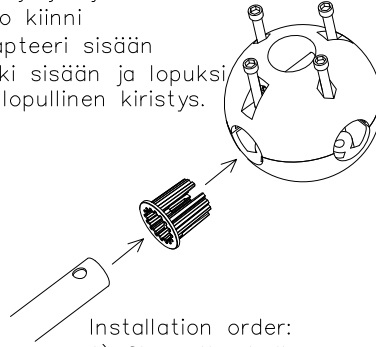
904015

904102

Kun putken pää osuu adapterin kynsiin, adapteri tiukentuu paikoilleen.

Asennusjärjestys:

- 1) Pallo kiinni
- 2) Adapteri sisään
- 3) putki sisään ja lopuksi pallon lopullinen kiristys.



Installation order:

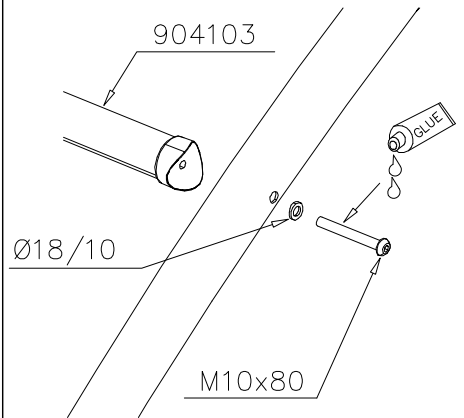
- 1) Close the ball
- 2) Insert adapter
- 3) Insert tube and tighten screws.

DET 27

904103

Ø18/10

M10x80



DET 28

906621

M12x35
(909347)

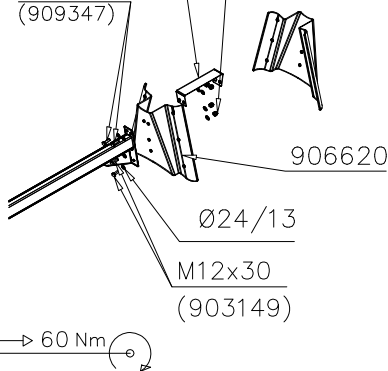
M12

906620

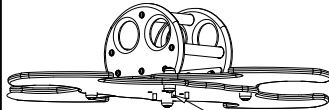
Ø24/13

M12x30
(903149)

M12 → 60 Nm



DET 29



M10x50 (905140)

Ø20/10.5x2 (901302)

M10 (909637)

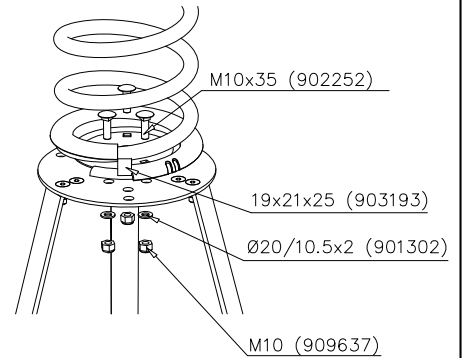
DET 30

M10x35 (902252)

19x21x25 (903193)

Ø20/10.5x2 (901302)

M10 (909637)



DET 31

M12 → 60 Nm

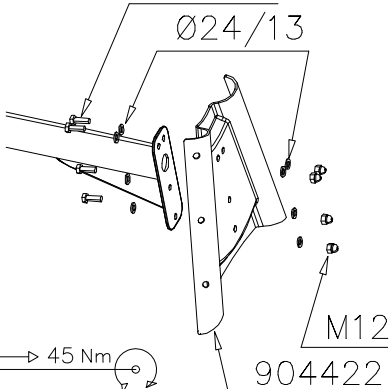
M12x30

Ø24/13

M10 → 45 Nm

M12

904422



DET 32

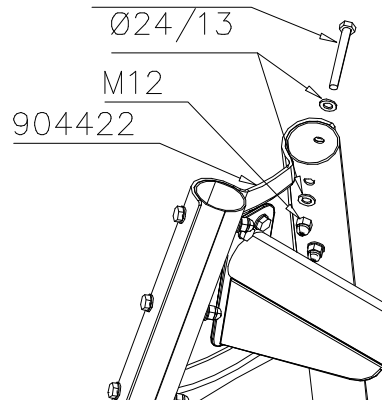
M12 → 60 Nm

M12x100

Ø24/13

M12

904422



DET 33

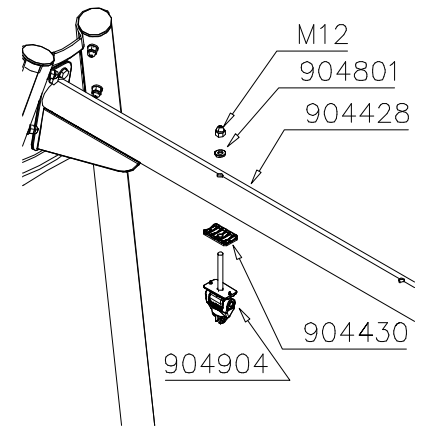
M12

904801

904428

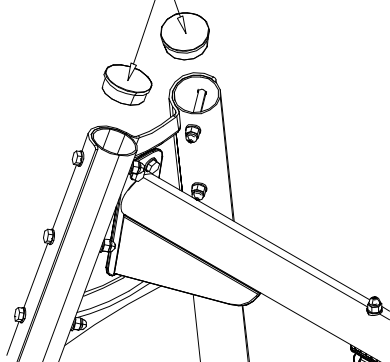
904430

904904

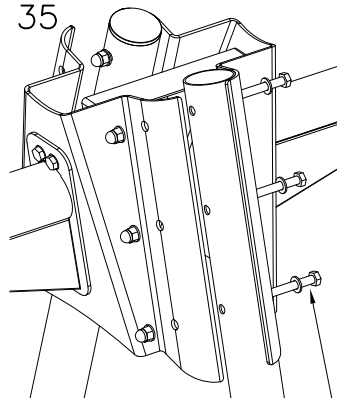


DET 34

904800



DET 35

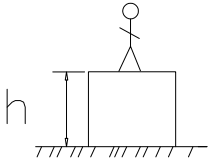



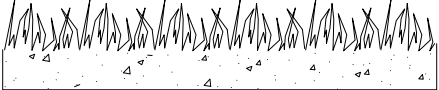
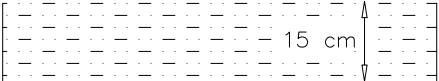
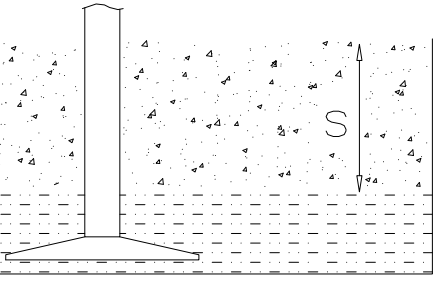
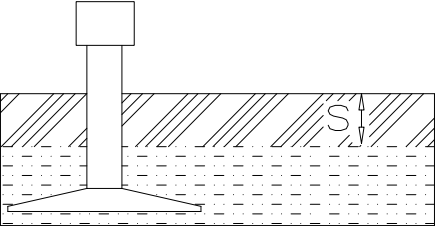


M12x110

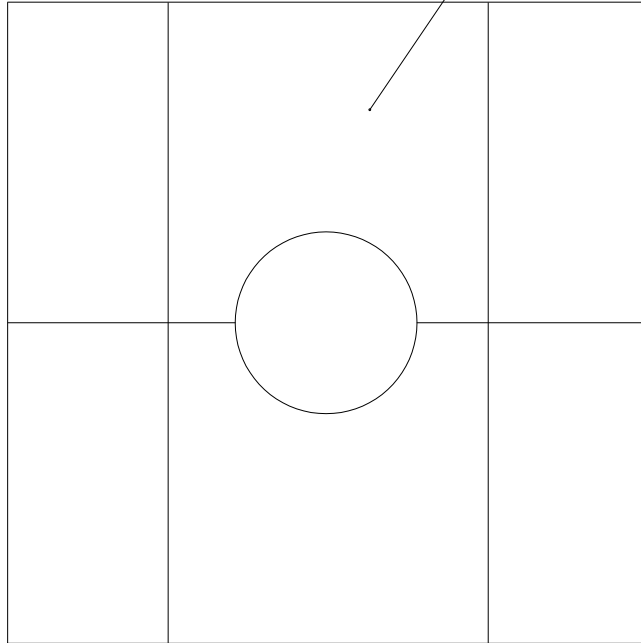
DET 36

Impact Area EN 1176

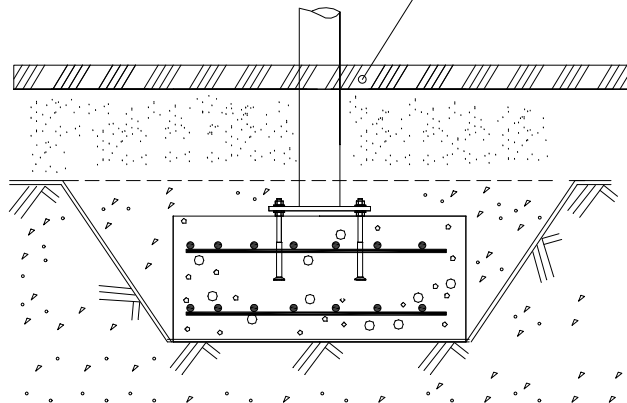
REF:
DATE: 20.2.2018

												
<p>$h < 600$</p> <p>Without movement and therefore without Impact Area</p>	<p>Totally hard surfaces.</p> <p>Note. Lappset does <u>not recommend</u> totally hard surfaces at all.</p>	<p>E.g. concrete or asphalt</p> 										
<p>$h < 600$</p> <p>With movement e.g. rocking</p>	<p>Materials with very limited impact attenuating properties.</p>	<p>E.g. wood</p> 										
<p>$h < 1000$</p>	<p>Materials with significant impact attenuating properties.</p>	<p>fine gravel 0–8 mm</p>  <p>grass</p>  <p>unsorted sand</p> 										
<p>$h < 3000$</p>	<p>Loose fill material</p> <p>E.g. sand/gravel 0,25...8 mm D60/D10<3,0 Woodchips 5...30 mm bark 20...80 mm</p>	 <table data-bbox="1024 1688 1327 1787"> <tr> <td>\underline{S}</td> <td>\underline{h}</td> </tr> <tr> <td>30 cm</td> <td>< 2,0 m</td> </tr> <tr> <td>40 cm</td> <td>< 3,0 m</td> </tr> </table>	\underline{S}	\underline{h}	30 cm	< 2,0 m	40 cm	< 3,0 m				
\underline{S}	\underline{h}											
30 cm	< 2,0 m											
40 cm	< 3,0 m											
	<p>Syntethic granulates</p> <table data-bbox="405 1899 753 2056"> <tr> <td>\underline{S}</td> <td>\underline{h}</td> </tr> <tr> <td>40 mm</td> <td>~> 1,2...1,3 m</td> </tr> <tr> <td>50 mm</td> <td>~> 1,5...1,7 m</td> </tr> <tr> <td>60 mm</td> <td>~> 1,8...2,0 m</td> </tr> <tr> <td>70 mm</td> <td>~> 2,1...2,5 m</td> </tr> </table> <p>Note. For accurate values, see manufacturer's instructions.</p>	\underline{S}	\underline{h}	40 mm	~> 1,2...1,3 m	50 mm	~> 1,5...1,7 m	60 mm	~> 1,8...2,0 m	70 mm	~> 2,1...2,5 m	
\underline{S}	\underline{h}											
40 mm	~> 1,2...1,3 m											
50 mm	~> 1,5...1,7 m											
60 mm	~> 1,8...2,0 m											
70 mm	~> 2,1...2,5 m											

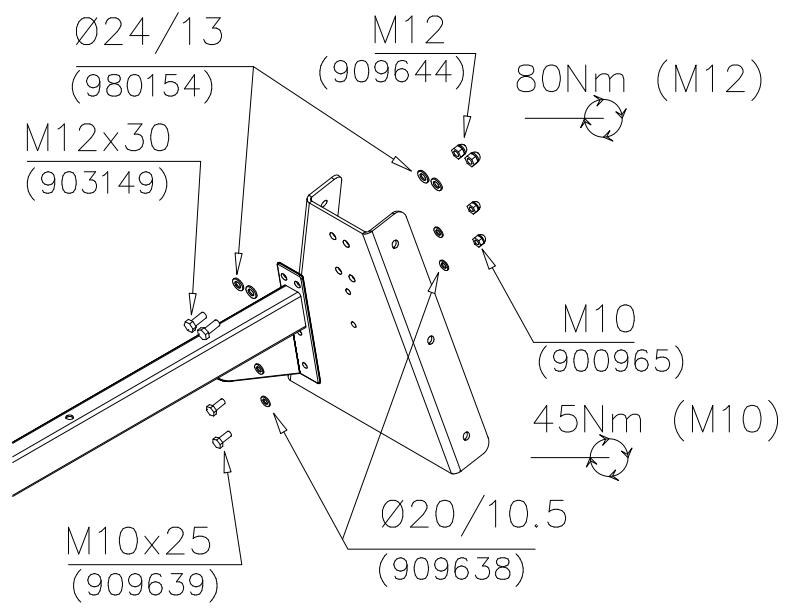
REMOVE SAFETY SURFACE/SAND/GRAVEL
TO CHECK FOUNDATION



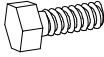


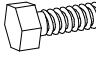


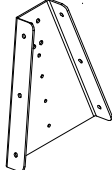
REMOVE SAFETY SURFACE/SAND/GRAVEL
TO CHECK FOUNDATION



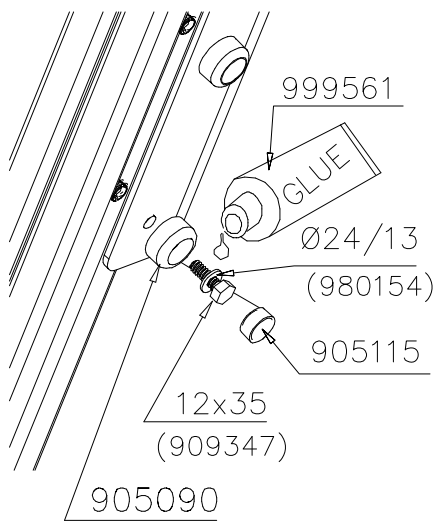
DET A



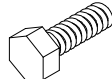

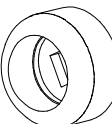
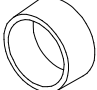

$\text{Ø}24/13$ (980154)
 M12 (909644)
 80Nm (M12)
 M12x30 (903149)
 M10 (900965)
 45Nm (M10)
 M10x25 (909639)
 $\text{Ø}20/10.5$ (909638)

-  M12x30 2 pcs
-  $\text{Ø}24/13$ 4 pcs
-  M12 2 pcs
-  M10x25 2 pcs
-  $\text{Ø}20/10.5$ 4 pcs
-  M10 2 pcs
-  905991 1 pcs

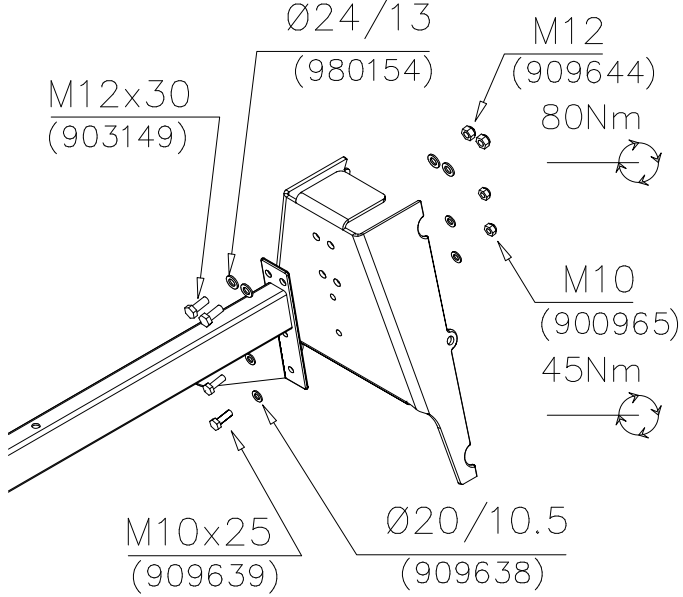
DET A



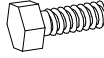


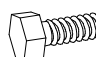


999561
 GLUE
 $\text{Ø}24/13$ (980154)
 905115
 12x35 (909347)
 905090

-  M12x35 6 pcs
-  $\text{Ø}24/13$ 6 pcs
-  $\text{Ø}45$ 6 pcs
-  $\text{Ø}30$ 6 pcs
-  GLUE

DET B



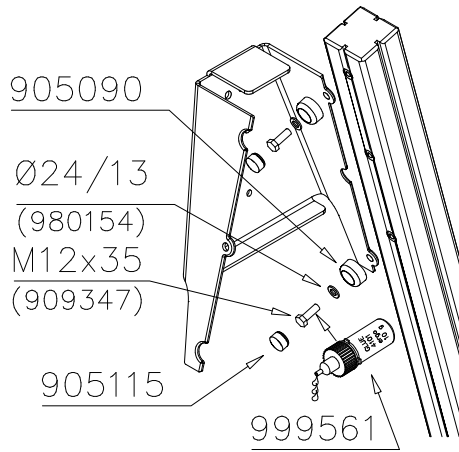
$\text{Ø}24/13$ (980154)
 M12 (909644)
 80Nm
 M12x30 (903149)
 M10 (900965)
 45Nm
 M10x25 (909639)
 $\text{Ø}20/10.5$ (909638)

-  M12x30 2 pcs
-  $\text{Ø}24/13$ 4 pcs
-  M12 2 pcs
-  M10x25 2 pcs
-  $\text{Ø}20/10.5$ 4 pcs
-  M10 2 pcs

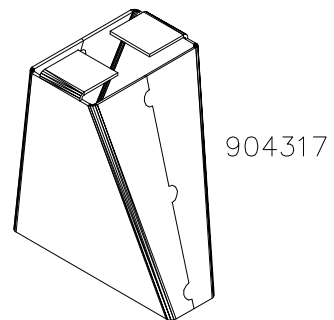
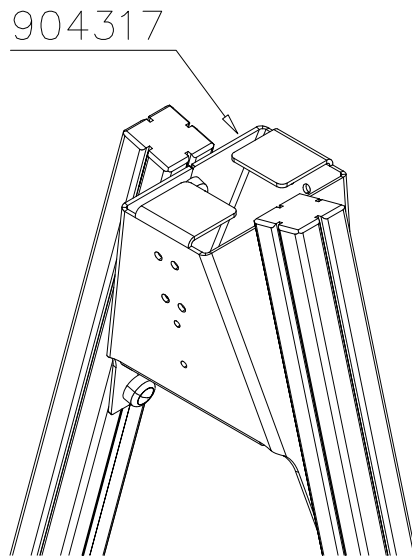
FINNO

REF: SWING
DATE: 31.3.2017

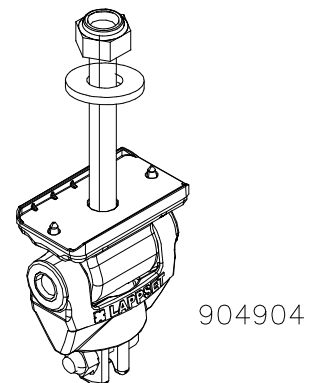
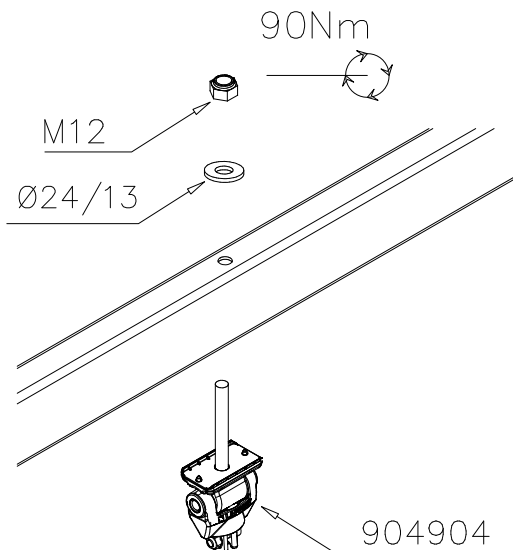
DET B



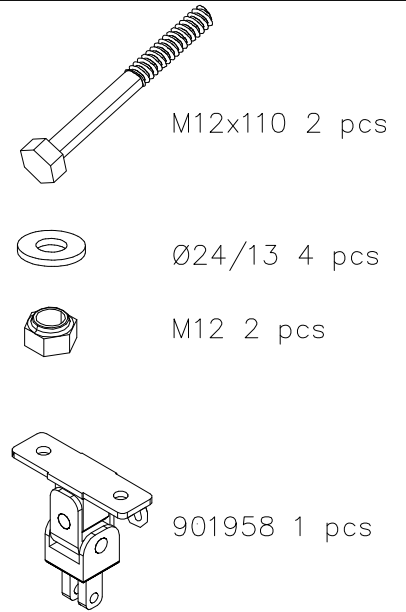
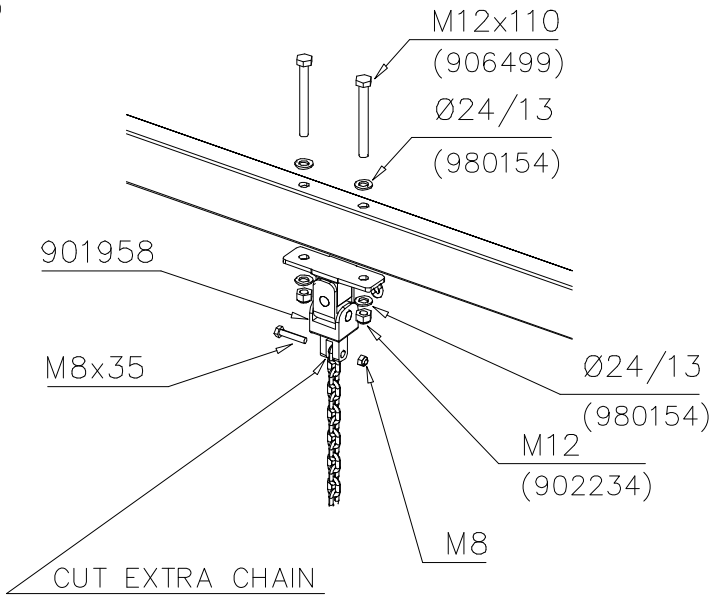
DET B



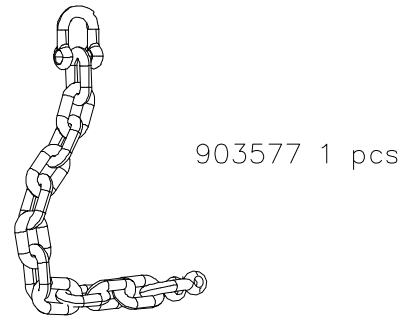
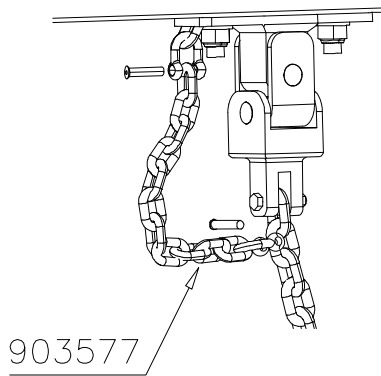
DET C



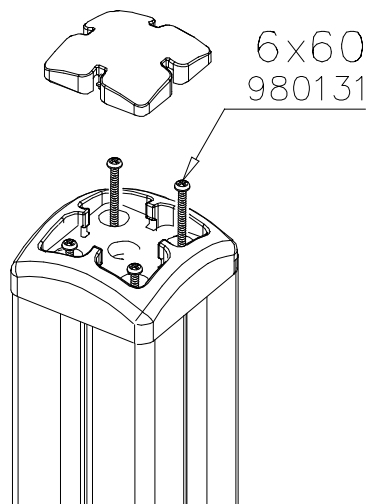
DET D



DET D



DET E

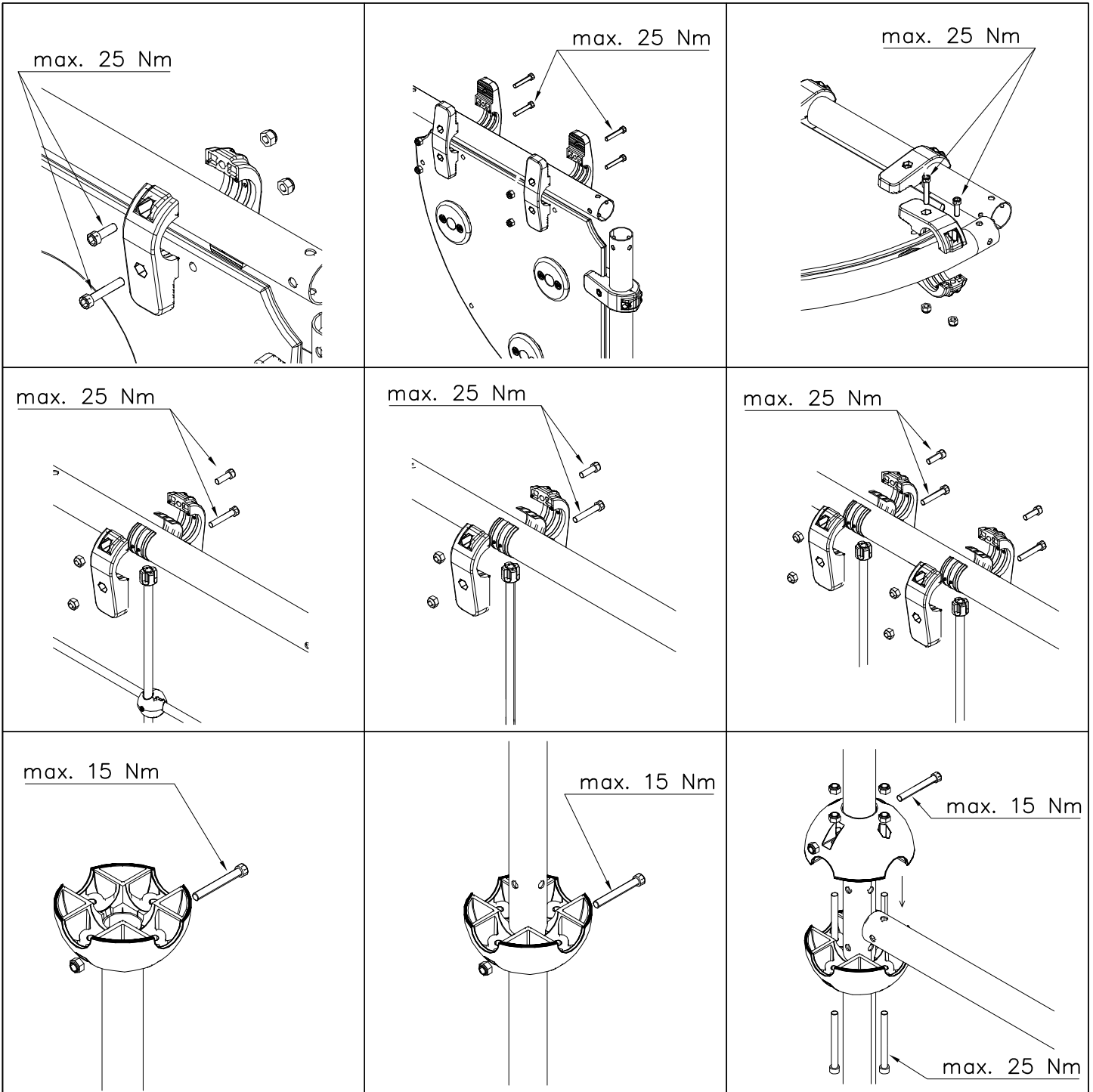


WINAM GROUP

CLOXX

SECURING

DATE: 3.10.2012



Security plugs are included only for selected products.

Hox!
Pultit on kiristettävä lopulliseen kireyteen, ennen turvapinnien asennusta.

Note!
Tighten bolts properly, before installing security plugs.

