

# WINAM GROUP

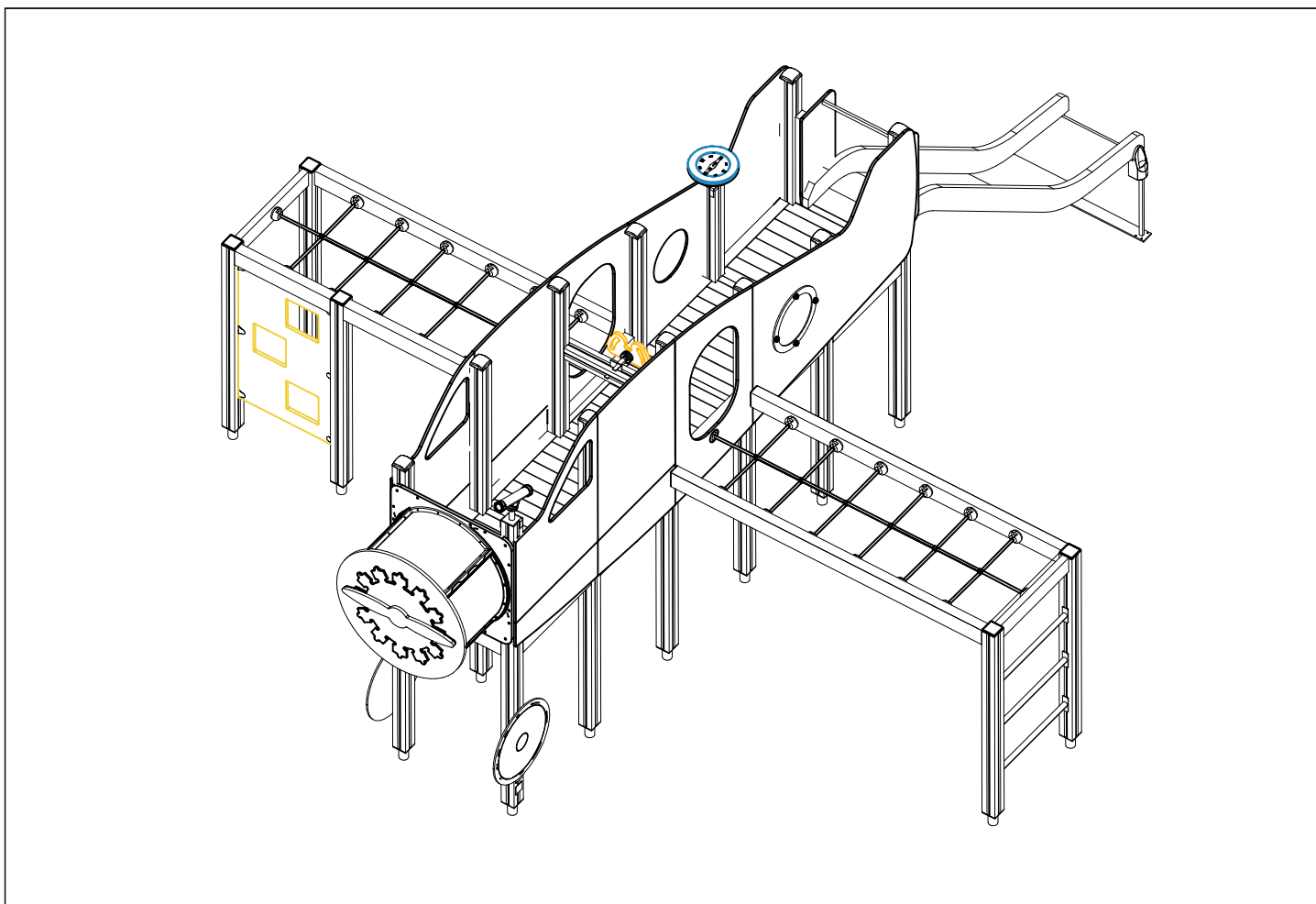
## NEW FINNO



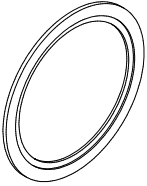
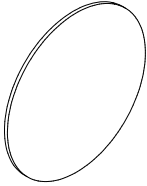



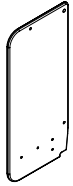
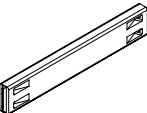

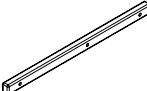
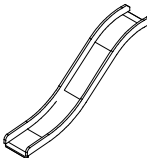
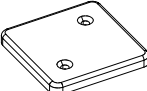


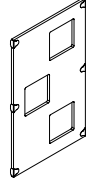
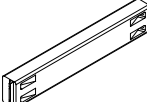
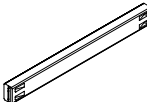
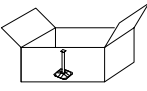
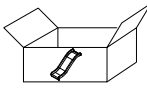
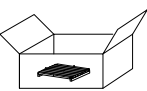
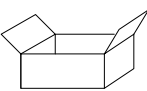


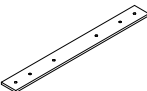

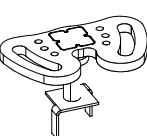
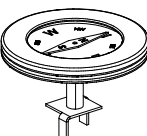
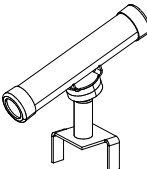
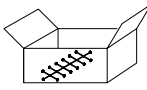
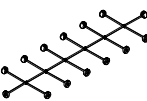
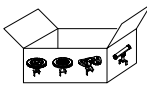
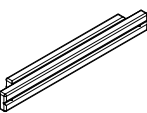
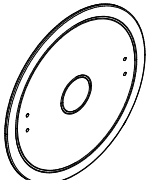
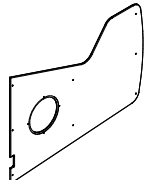
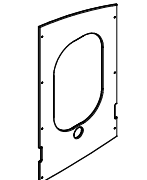
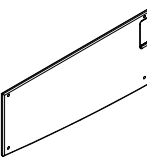
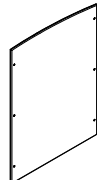
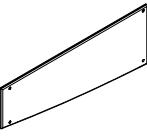
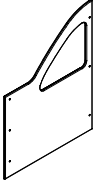
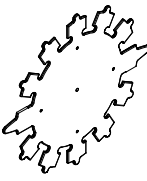
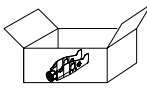
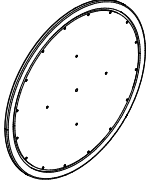
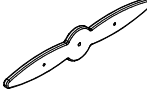
ASENNUSOHJE  
MONTERINGSANSVISNING  
INSTALLATION INSTRUCTION  
AUFBAUANLEITUNG  
NOTICE D'INSTALLATION

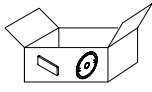
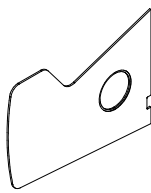
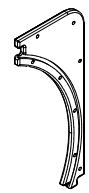
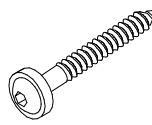
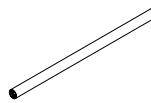
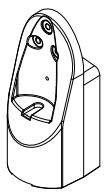
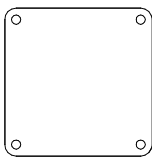
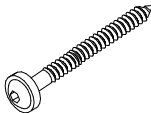
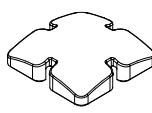
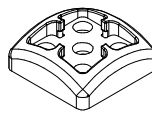
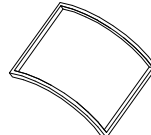
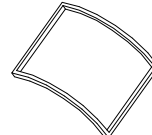
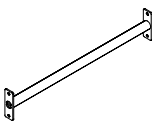
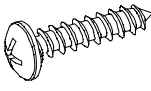

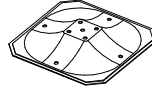
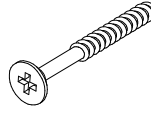
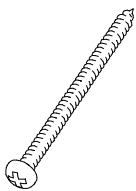
DATE: 25.11.2016

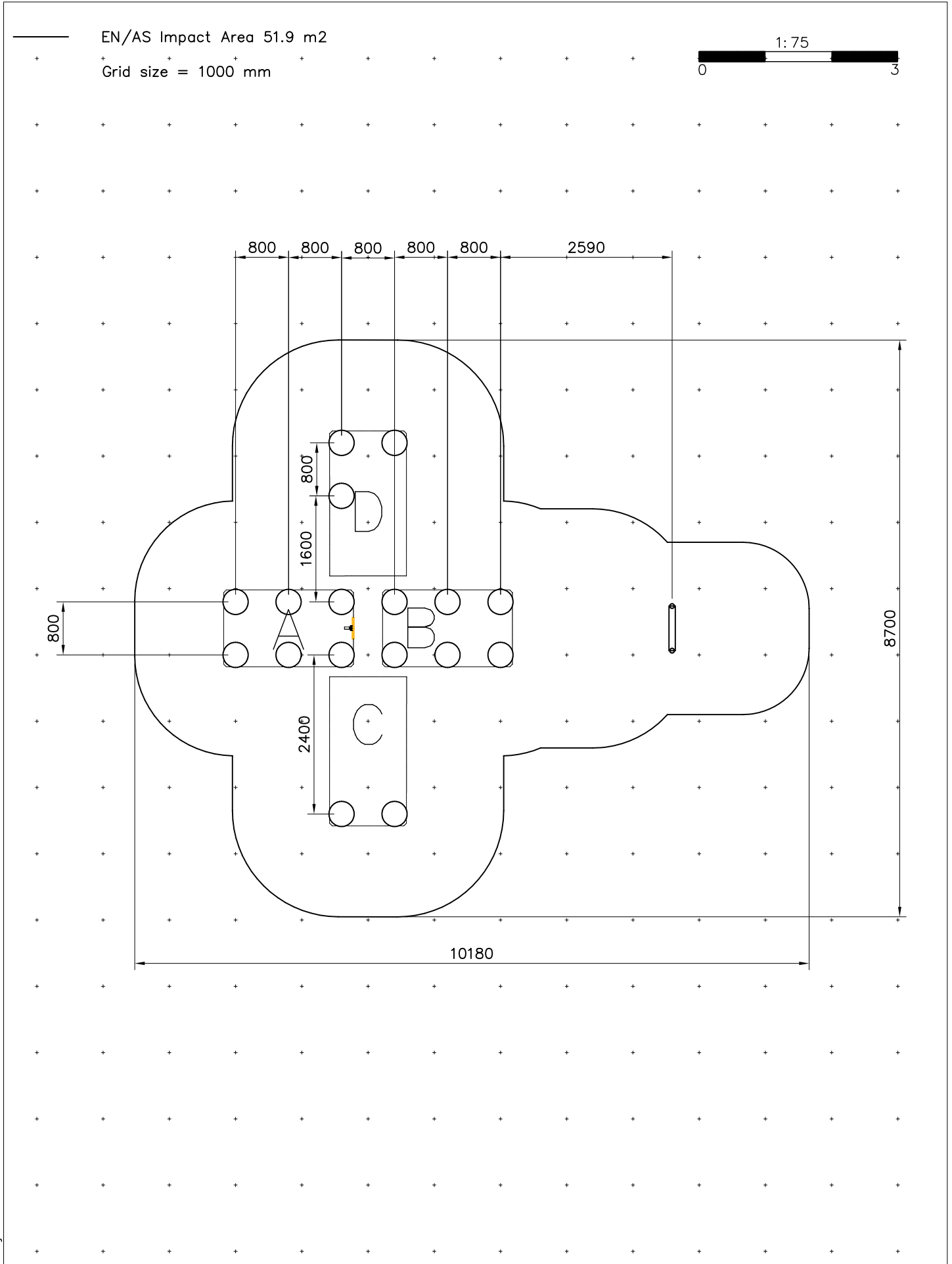
### 137920



DATE: 25.11.2016

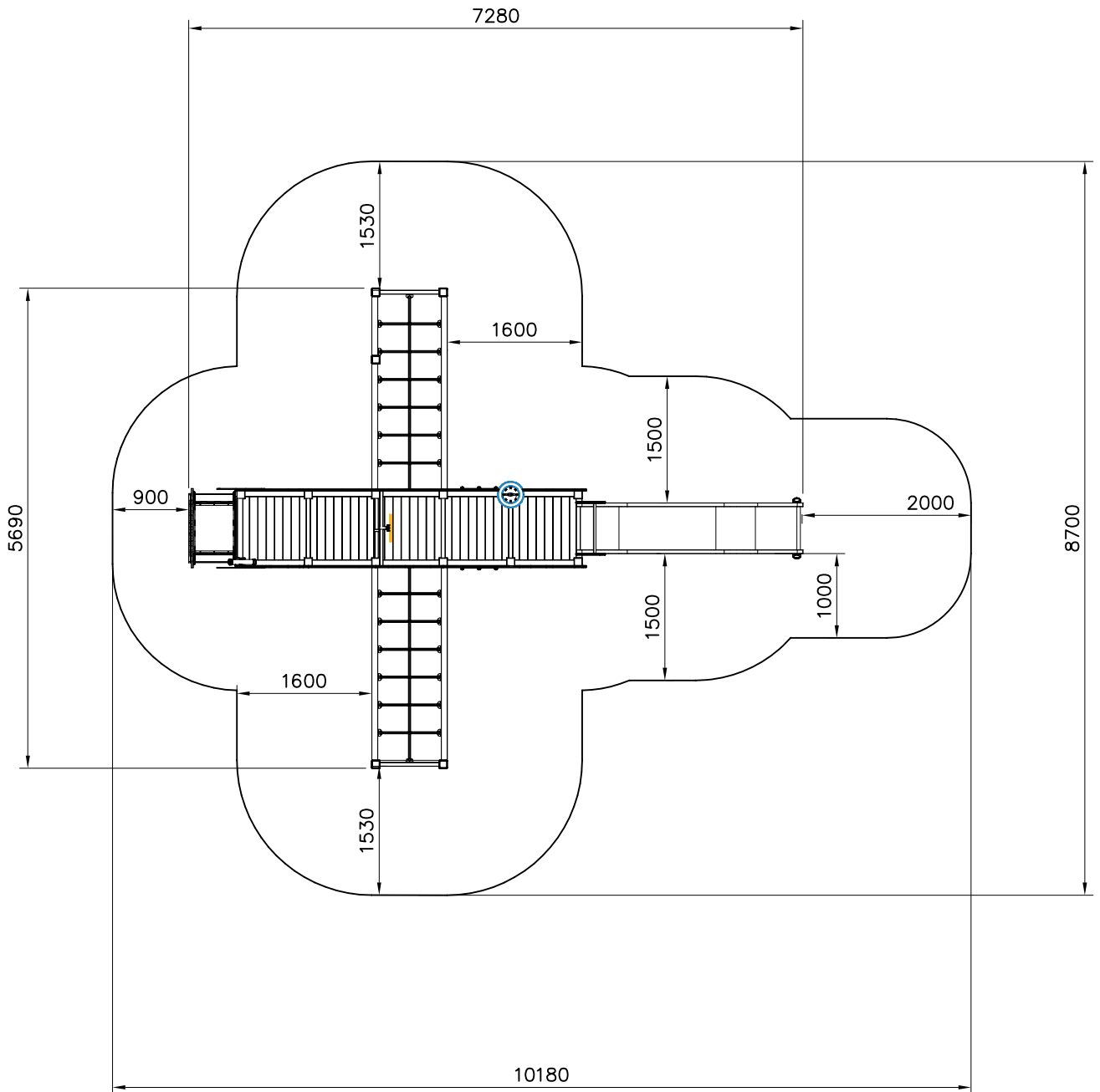
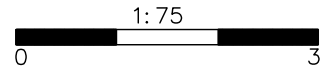
|   |          |  |          |   |           |  |          |   |           |  |          |
|---|----------|--|----------|---|-----------|--|----------|---|-----------|--|----------|
| 005238<br><br>Ø440x10          | PCS<br>2 | 005254<br><br>Ø370x8            | PCS<br>2 | 008986<br><br>750x750            | PCS<br>5  | 702286<br><br>90x50             | PCS<br>1 | 702339<br><br>90x50            | PCS<br>1  | 706371-706<br><br>15x345x750    | PCS<br>2 |
| 706439-604<br><br>L 704        | PCS<br>7 | 706441-604<br><br>93x93x1550    | PCS<br>5 | 706443<br><br>32x45x702          | PCS<br>10 | 706450-604<br><br>600x381x2685  | PCS<br>1 | 706481-706<br><br>93x93x10     | PCS<br>5  | 706484-604<br><br>93x93x2150    | PCS<br>2 |
| 706505<br><br>35x70x730        | PCS<br>2 | 706507-702<br><br>706558        | PCS<br>1 | 706512-604<br><br>70x120x704     | PCS<br>14 | 706514-604<br><br>70x120x1504   | PCS<br>1 | 706531<br><br>706533           | PCS<br>17 | <br>706533                      | PCS<br>1 |
| 706535<br><br>706558         | PCS<br>5 | <br>706662-604                | PCS<br>1 | <br>93x93x2600                 | PCS<br>4  | <br>93x93x2400                | PCS<br>6 | 707133<br><br>10x80x745      | PCS<br>1  | 707294-604<br><br>70x120x2304 | PCS<br>3 |
| 707302-702<br><br>707303-701 | PCS<br>1 | <br>707304                    | PCS<br>1 | <br>707527                     | PCS<br>1  | <br>707530-305                | PCS<br>2 | <br>755x2355                 | PCS<br>2  | 707585<br>                    | PCS<br>3 |
| 707626-604<br><br>L 890      | PCS<br>1 | 707648<br><br>Ø570x10         | PCS<br>2 | 707668-607<br><br>15x1190x1696 | PCS<br>1  | 707671-607<br><br>15x800x1400 | PCS<br>2 | 707672-607<br><br>15x350x800 | PCS<br>2  | 707673-607<br><br>15x800x1090 | PCS<br>2 |
| 707674-607<br><br>15x295x847 | PCS<br>2 | 707675-706<br><br>15x847x1081 | PCS<br>2 | 707679-702<br><br>10x717x810   | PCS<br>1  | 707681<br><br>707682-606      | PCS<br>1 | <br>21x941x941               | PCS<br>1  | 707683-605<br><br>21x150x820  | PCS<br>1 |

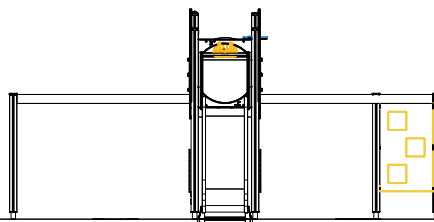
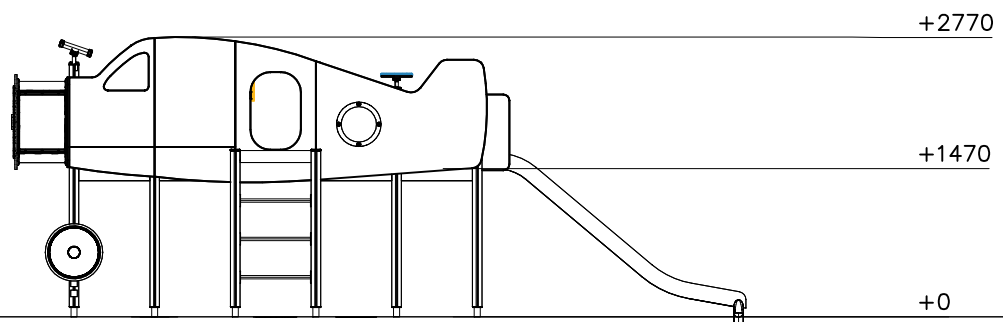
|   |          |  |            |  |           |   |           |   |           |   |           |
|---|----------|--|------------|--|-----------|---|-----------|---|-----------|---|-----------|
| 707764<br><br>2<br>65x65     | PCS<br>2 | 707869-607<br><br>1<br>15x1190x1696 | PCS<br>1   | 707918-706<br><br>4<br>20x275x640 | PCS<br>4  | 900240<br><br>12<br>Ø8x70      | PCS<br>12 | 901868<br><br>3<br>Ø34x598     | PCS<br>3  | 901879<br><br>2                | PCS<br>2  |
| 902487<br><br>2<br>65x65     | PCS<br>2 | 903093<br><br>102<br>8x90           | PCS<br>102 | 905138<br><br>10<br>GRAY          | PCS<br>10 | 905196<br><br>10<br>GRAY       | PCS<br>10 | 905821<br><br>2<br>149x516x616 | PCS<br>2  | 905829<br><br>2<br>149x516x616 | PCS<br>2  |
| 907694-216<br><br>3<br>L 704 | PCS<br>3 | 909506<br><br>8<br>Ø3.5x13          | PCS<br>8   | 909511<br><br>17<br>90x90x650     | PCS<br>17 | 909519<br><br>17<br>50x380x380 | PCS<br>17 | 980107<br><br>10<br>Ø6x60      | PCS<br>10 | 980131<br><br>40<br>Ø6x60      | PCS<br>40 |
|   | PCS      |  | PCS        |  | PCS       |   | PCS       |   | PCS       |   | PCS       |
|   | PCS      |  | PCS        |  | PCS       |   | PCS       |   | PCS       |   | PCS       |
|   | PCS      |  | PCS        |  | PCS       |   | PCS       |   | PCS       |   | PCS       |
|   | PCS      |  | PCS        |  | PCS       |   | PCS       |   | PCS       |   | PCS       |

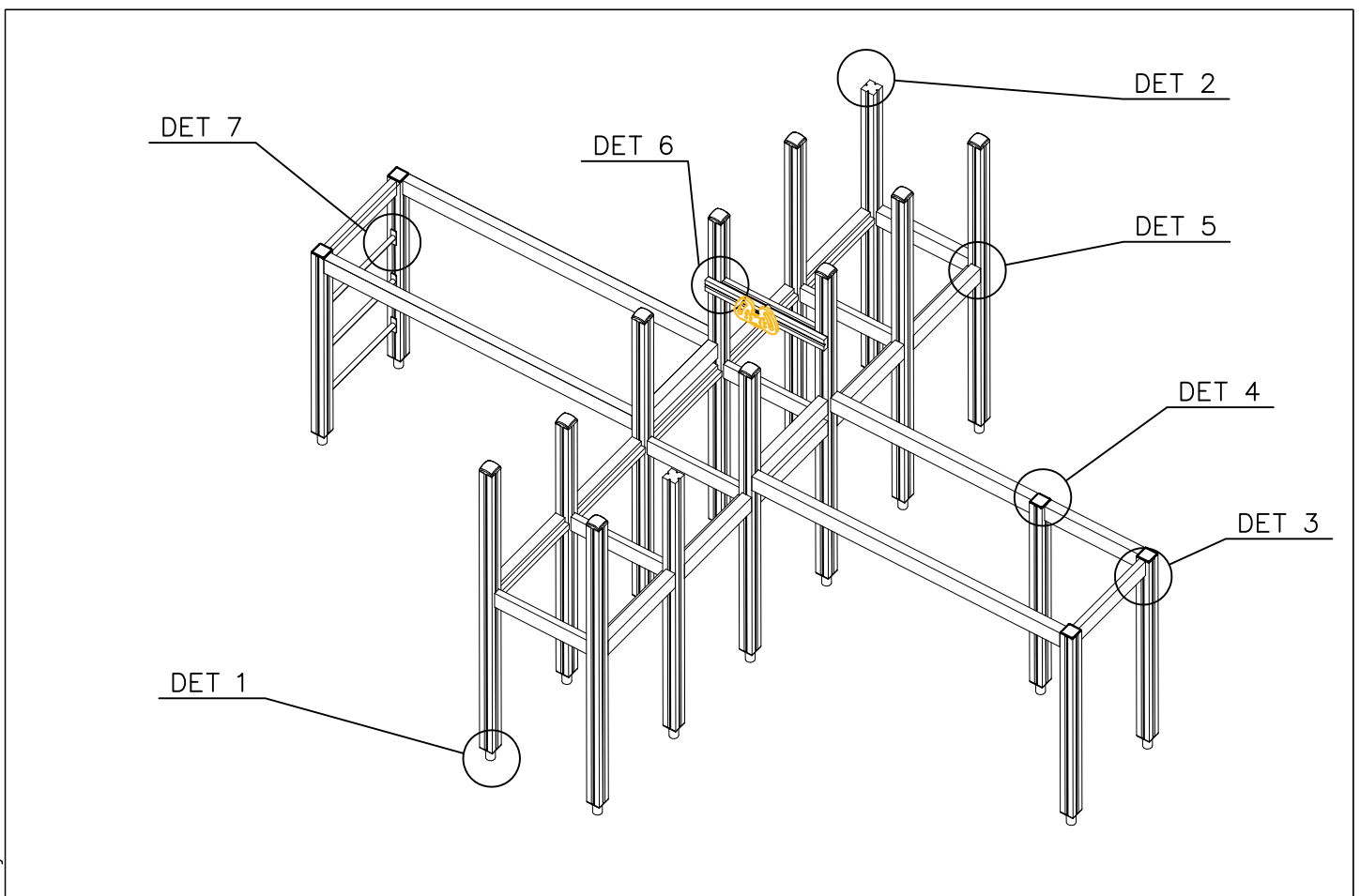
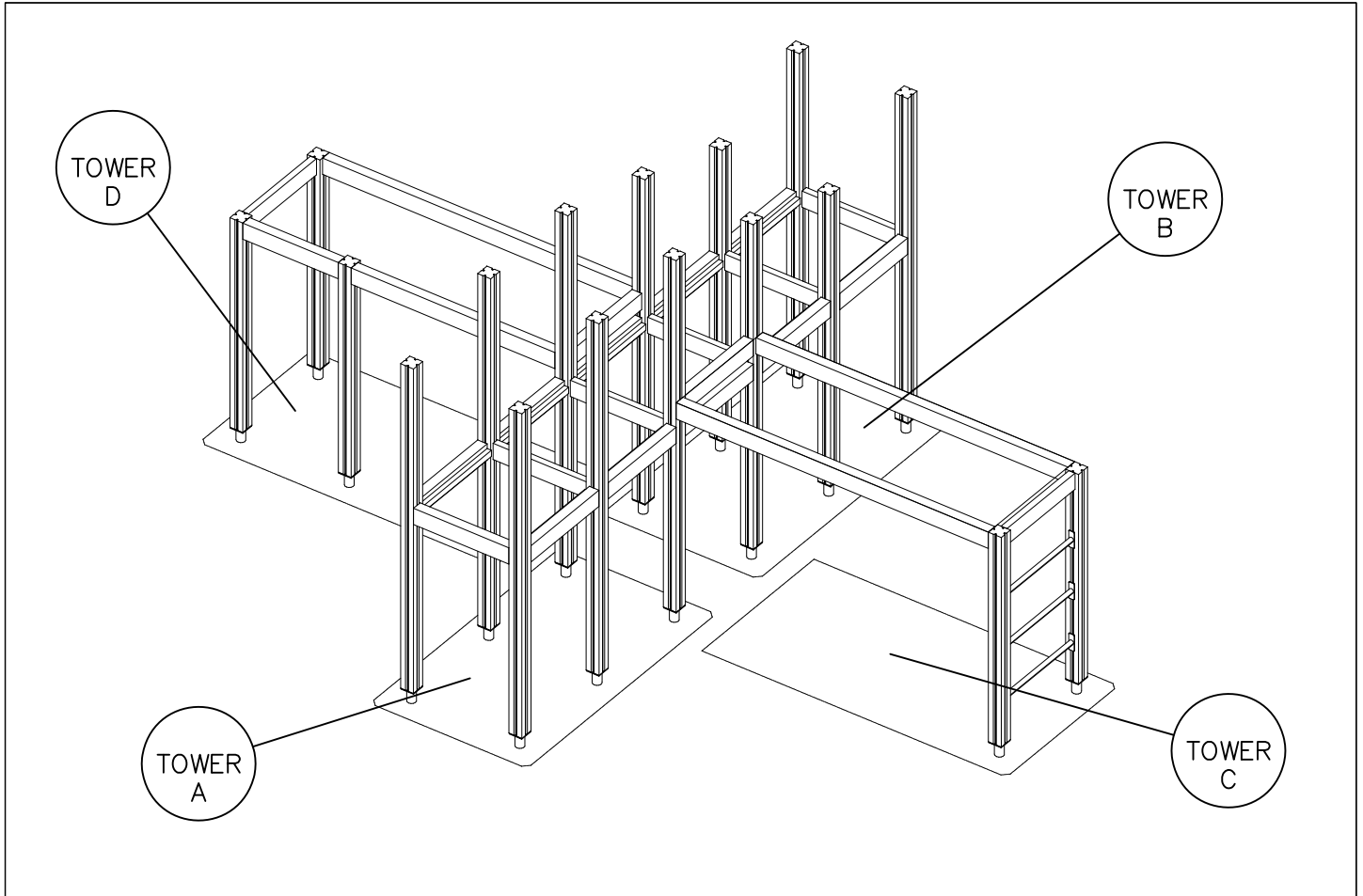


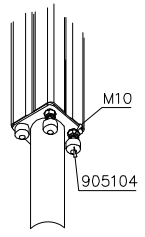
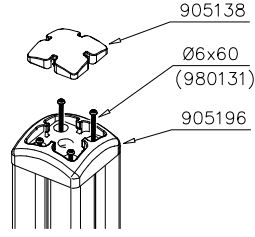
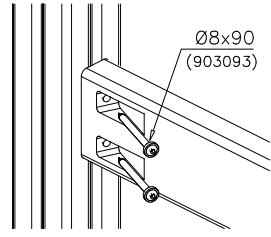
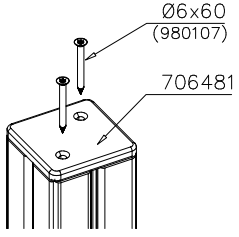
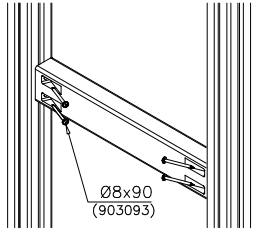
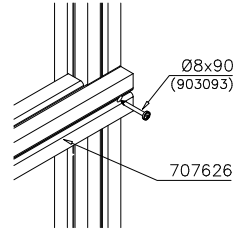
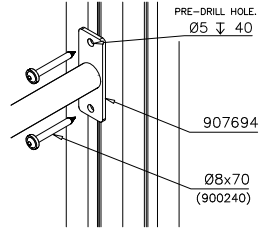


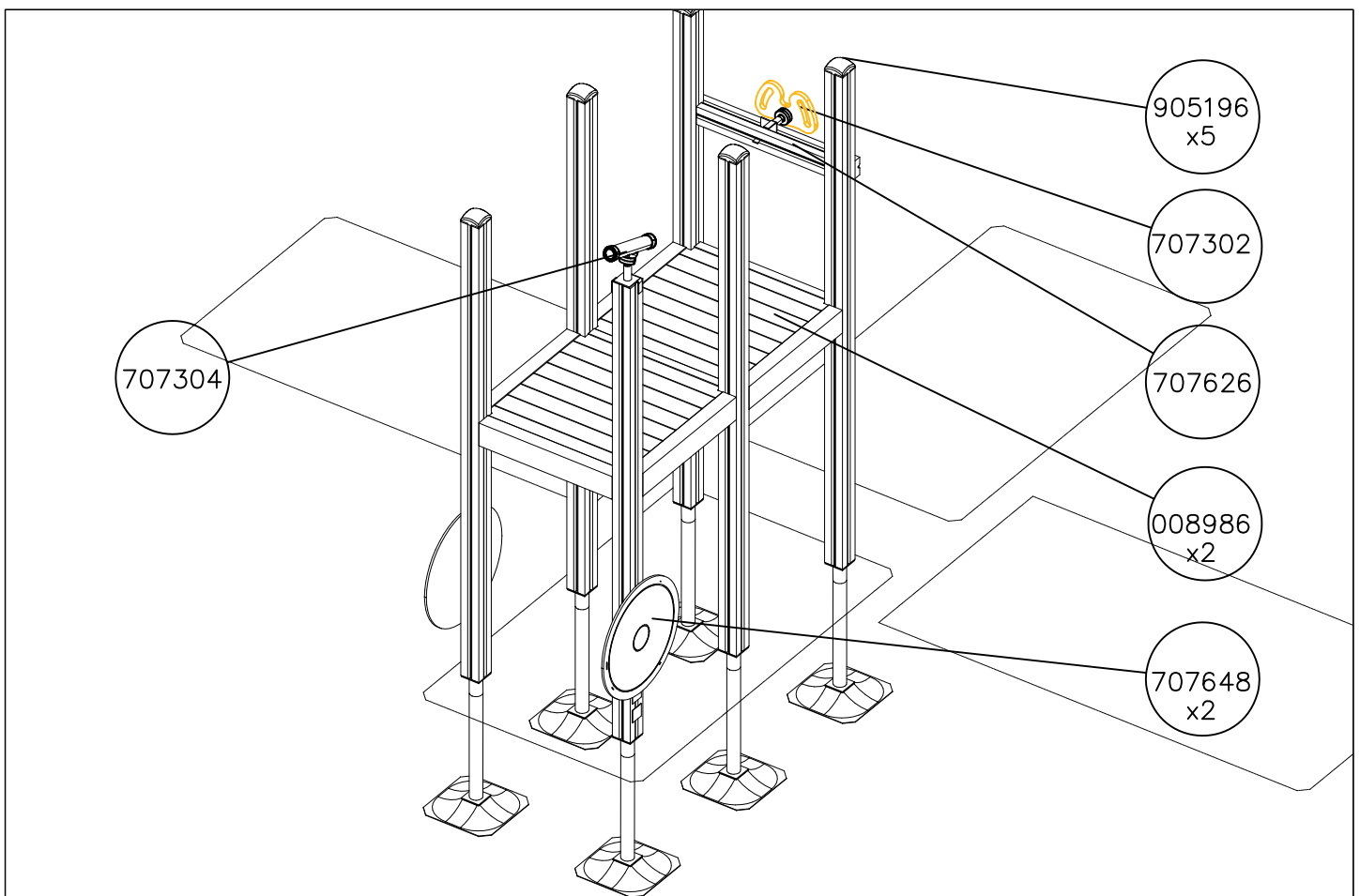
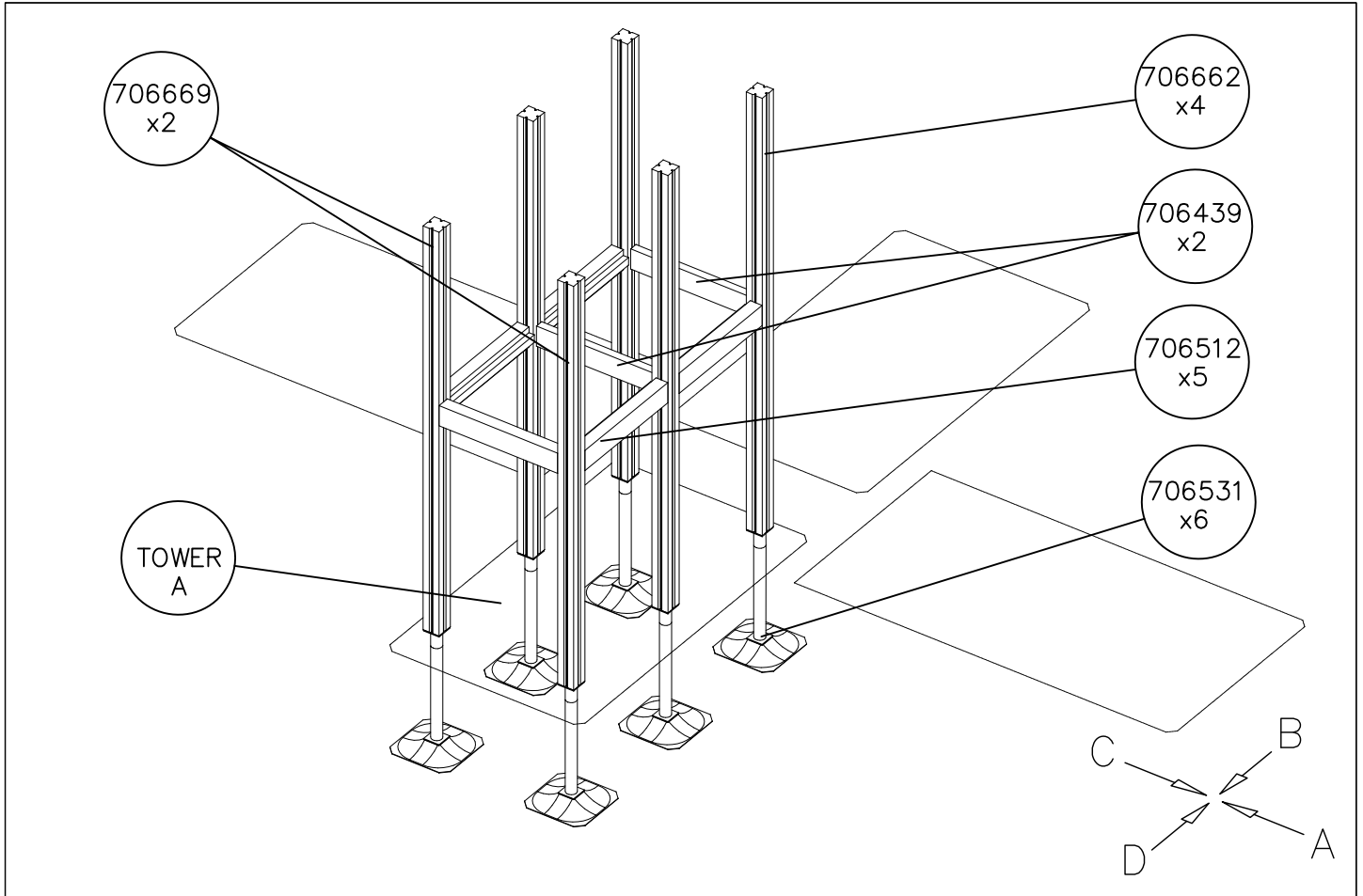
- EN/AS Impact Area 51.9 m<sup>2</sup>
- - - - Falling Space 51.9 m<sup>2</sup>
- Max Falling Height 1970 mm

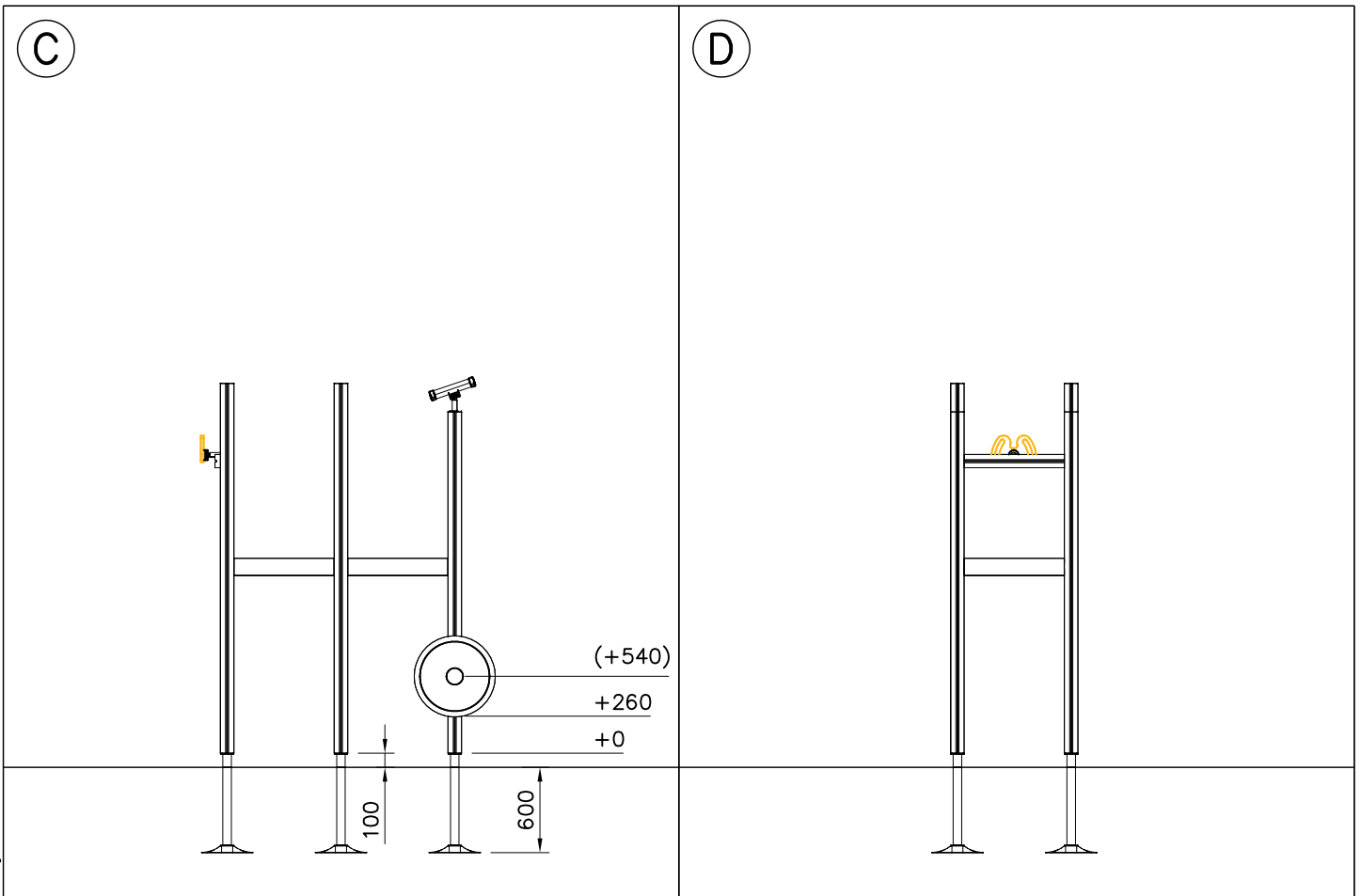
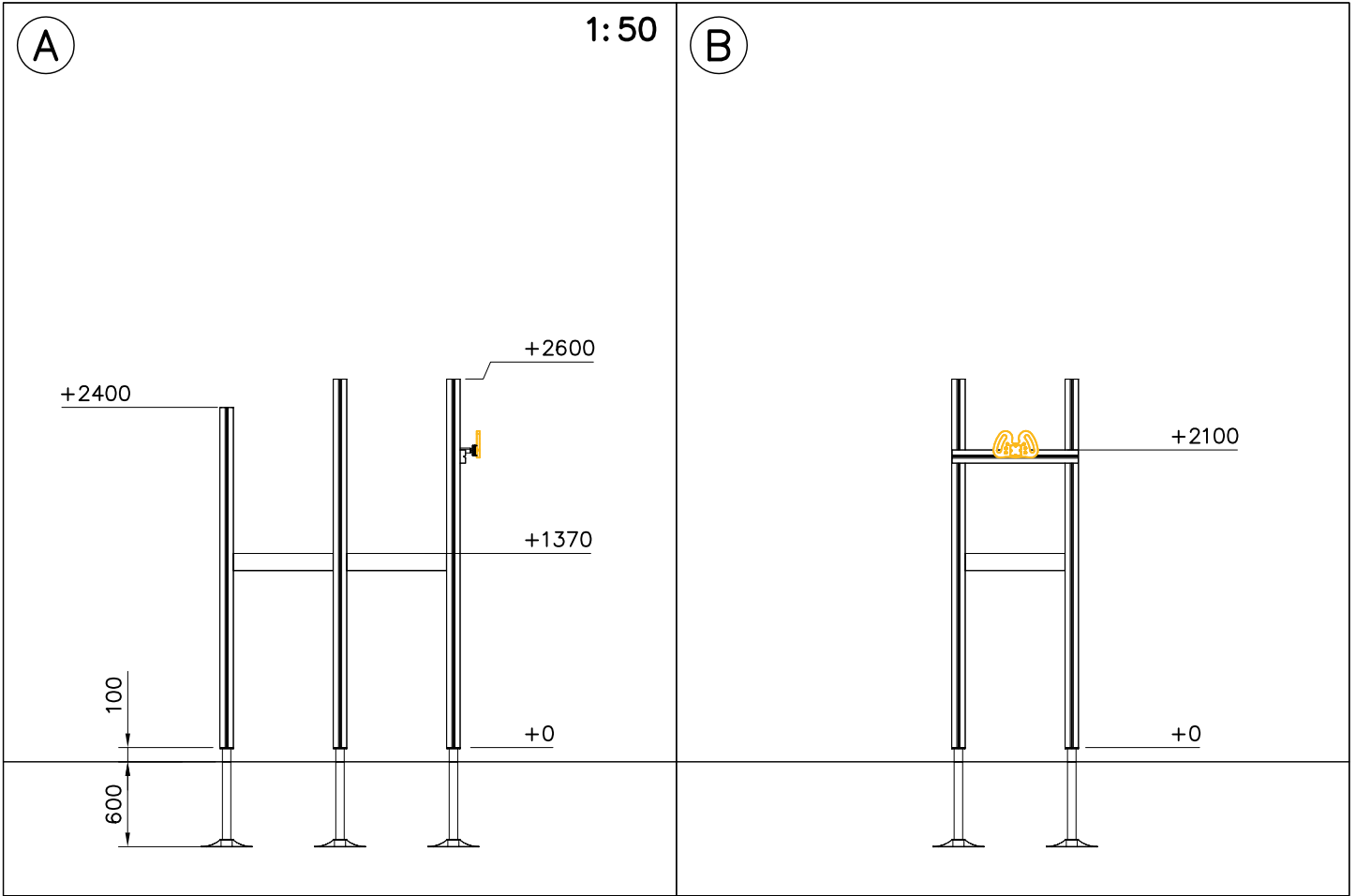


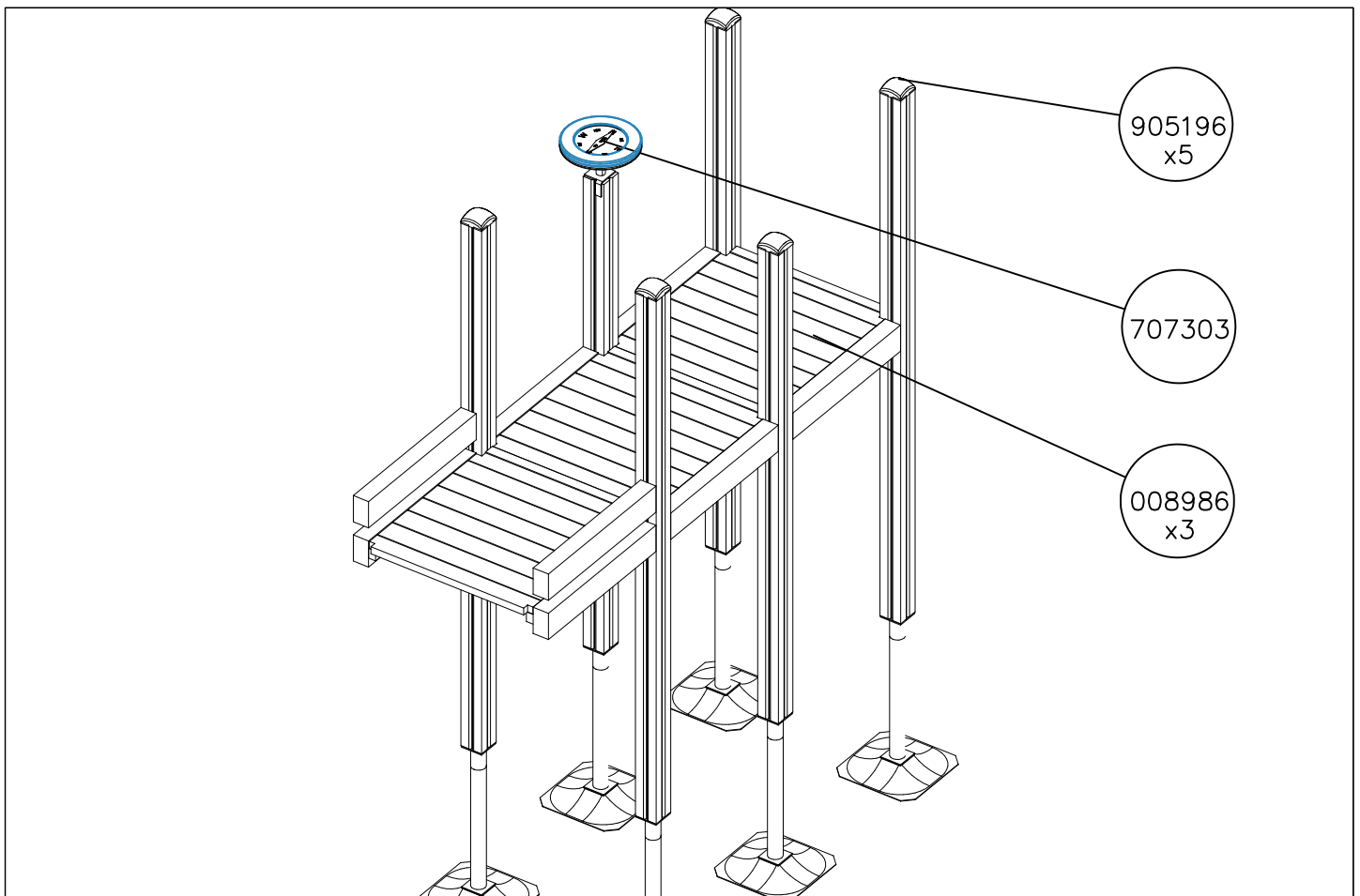
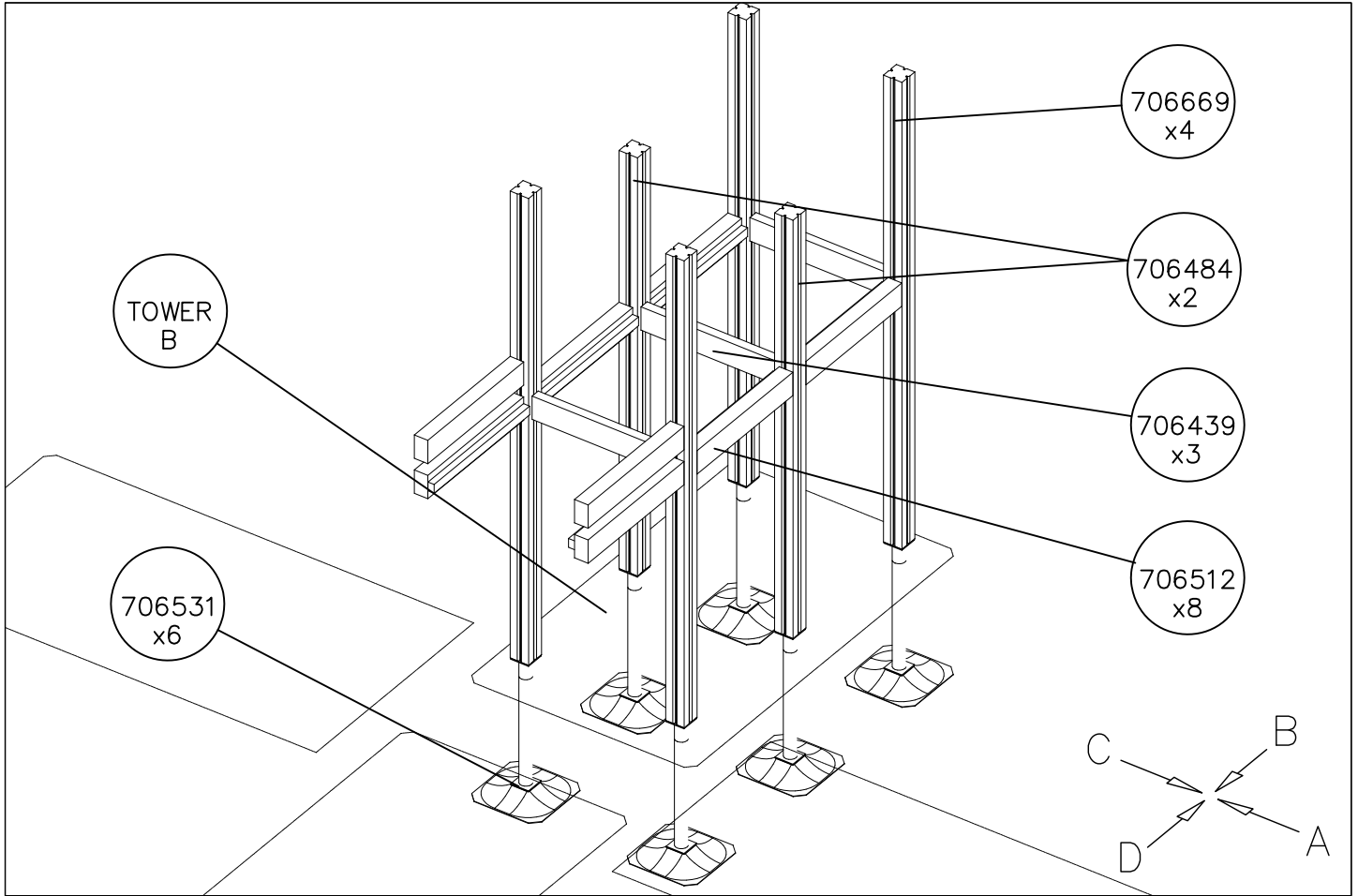


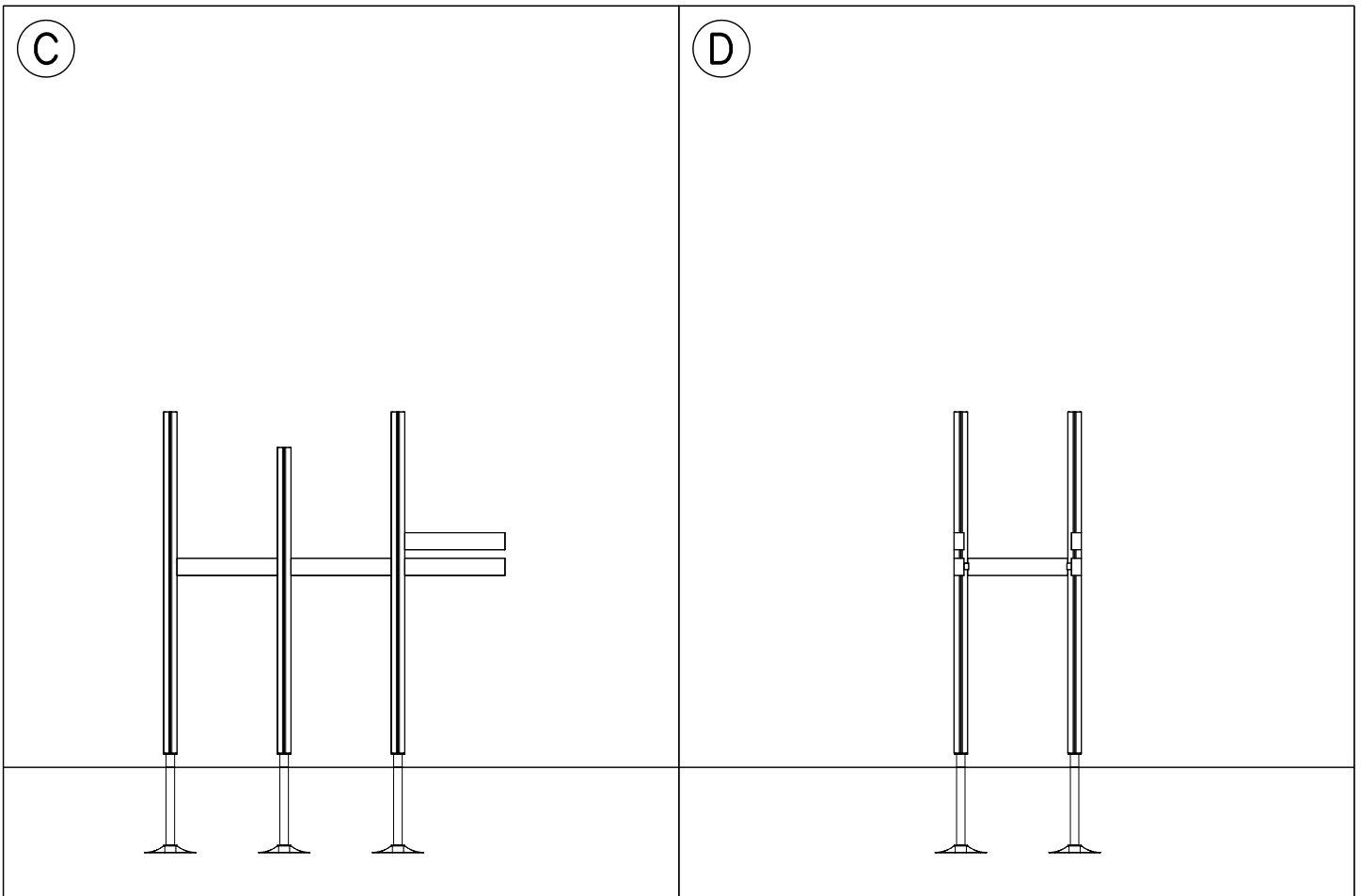
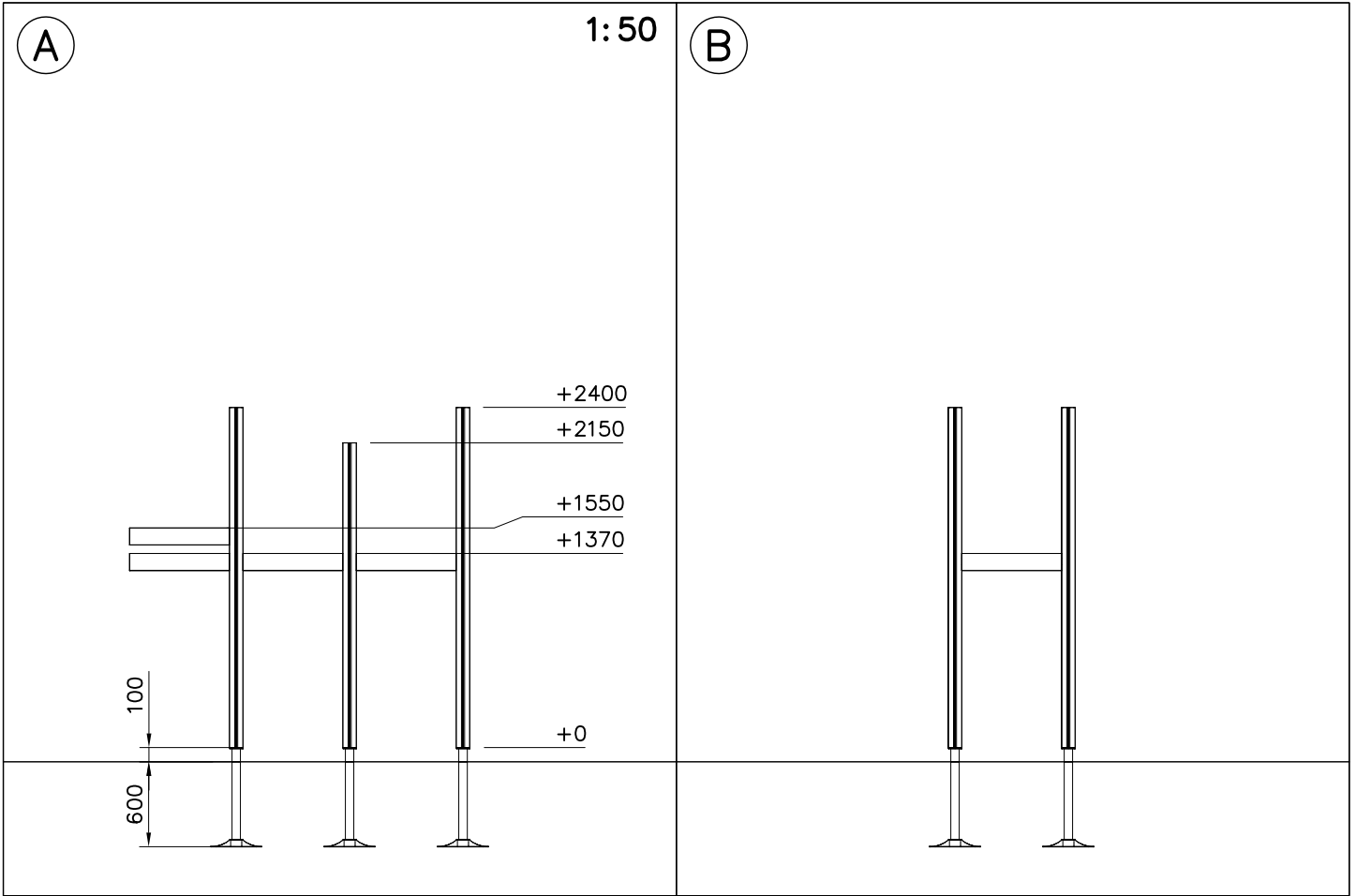


|  |  |   |  |
|--|--|---|--|
| <p>DET 1</p>  | <p>DET 2</p>  | <p>DET 3</p>  | <p>DET 4</p>  |
| <p>DET 5</p>  | <p>DET 6</p>  | <p>DET 7</p>  |  |
|  |  |   |  |
|  |  |   |  |
|  |  |   |  |

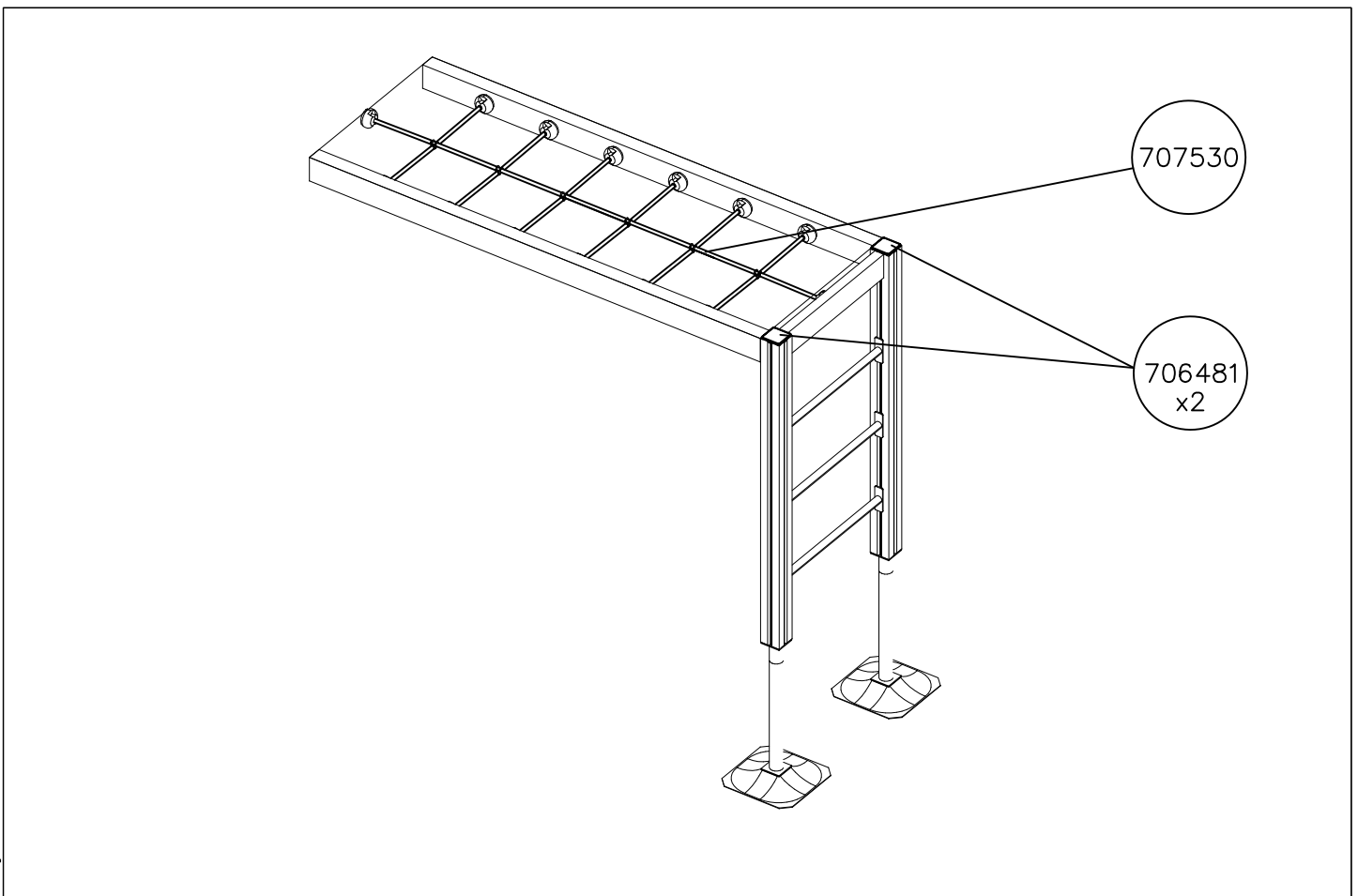
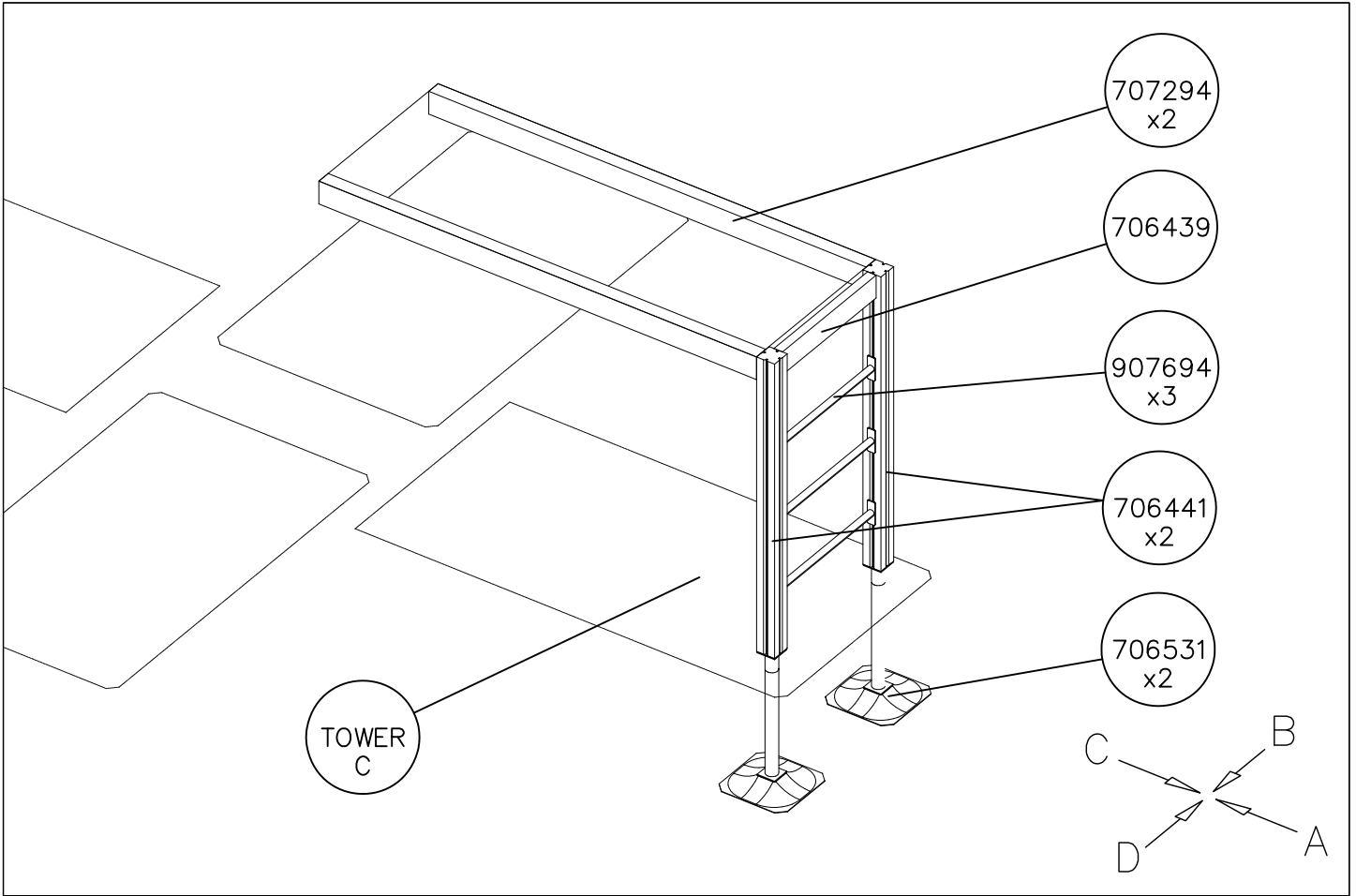








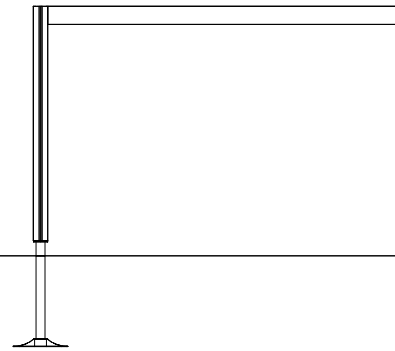
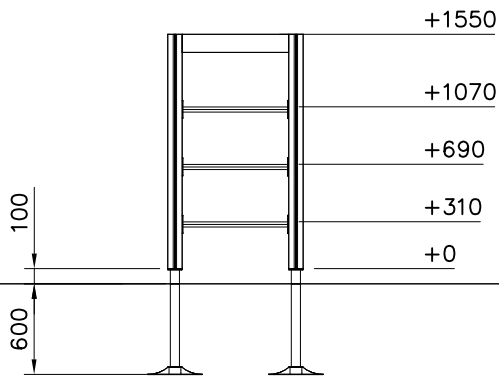




1:50

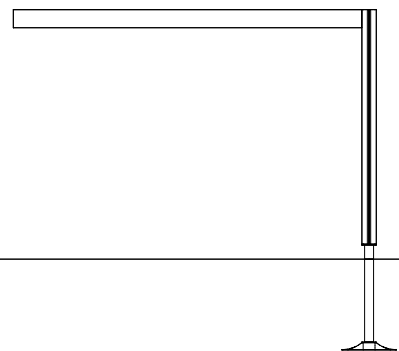
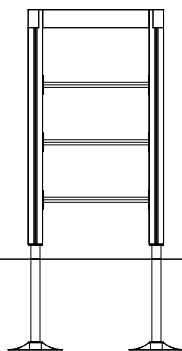
A

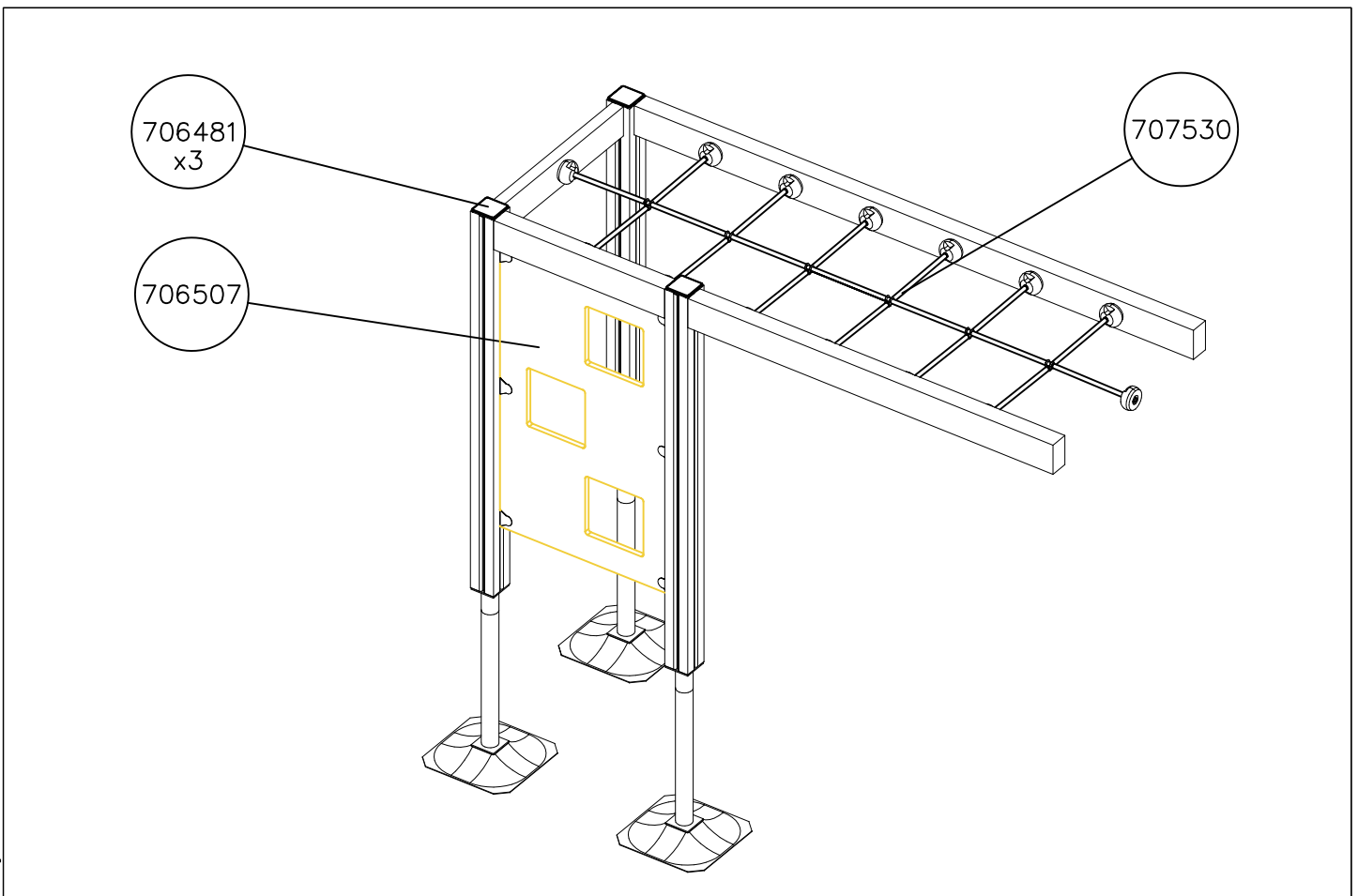
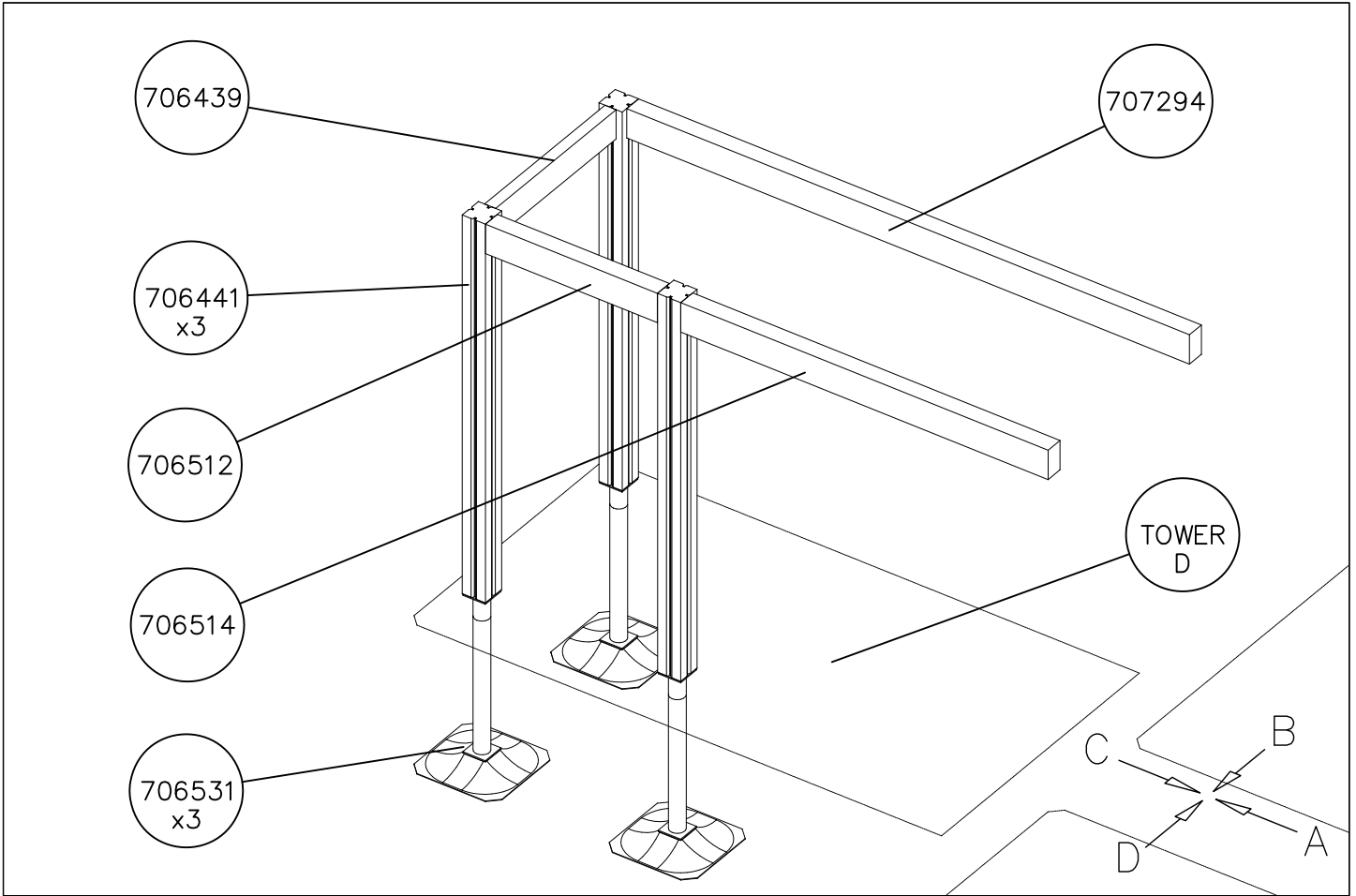
B



C

D

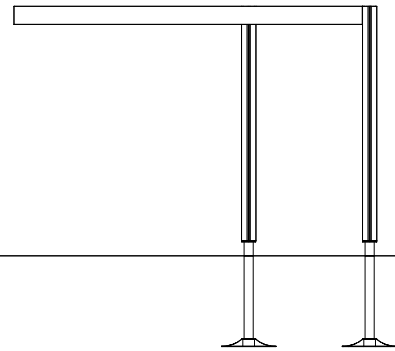
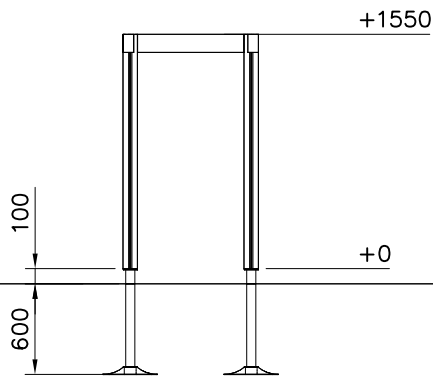




1:50

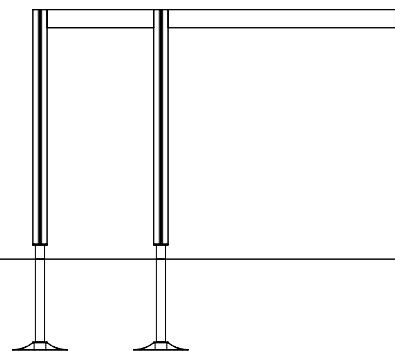
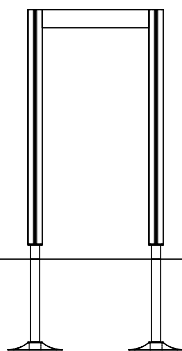
(A)

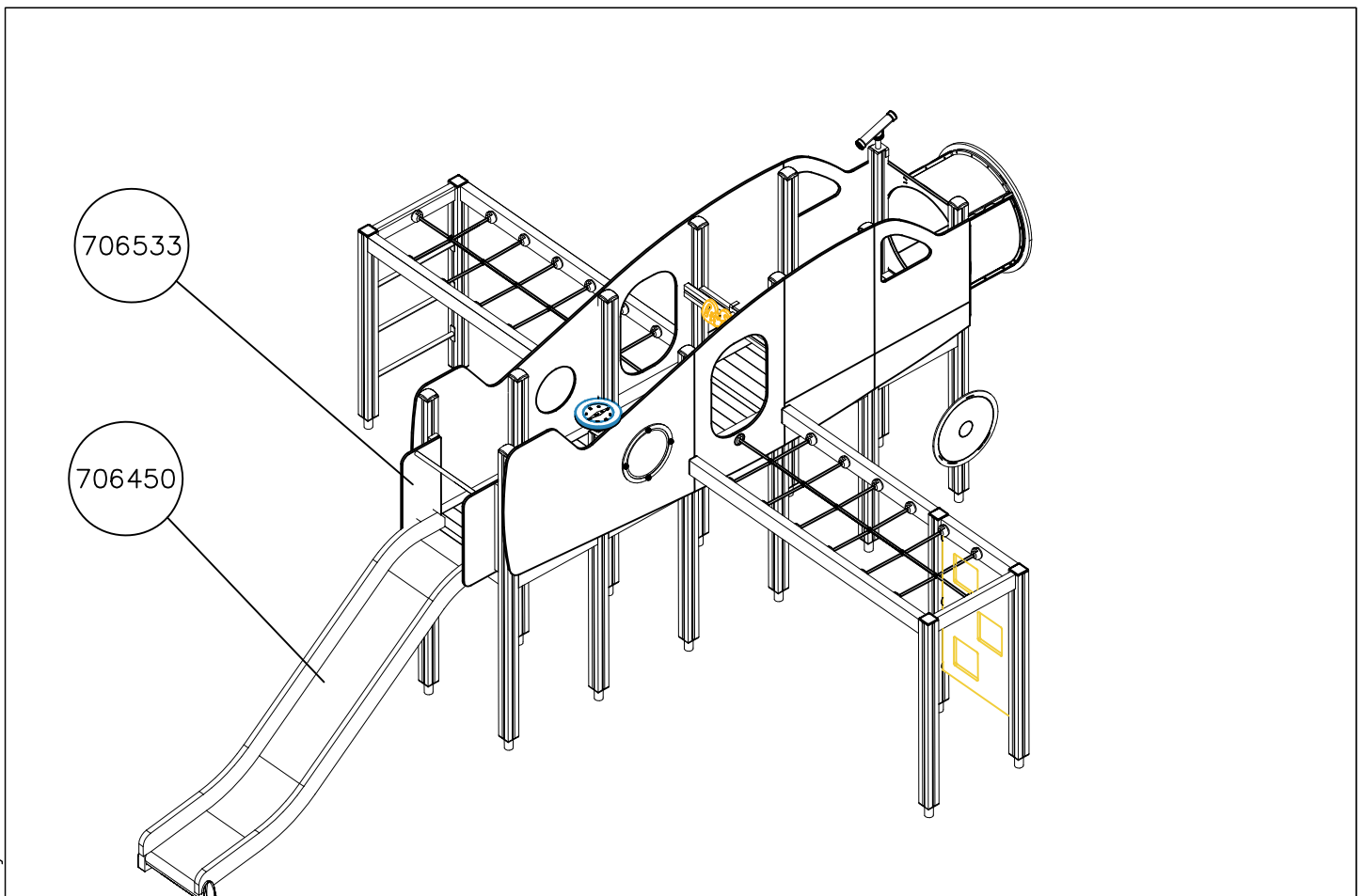
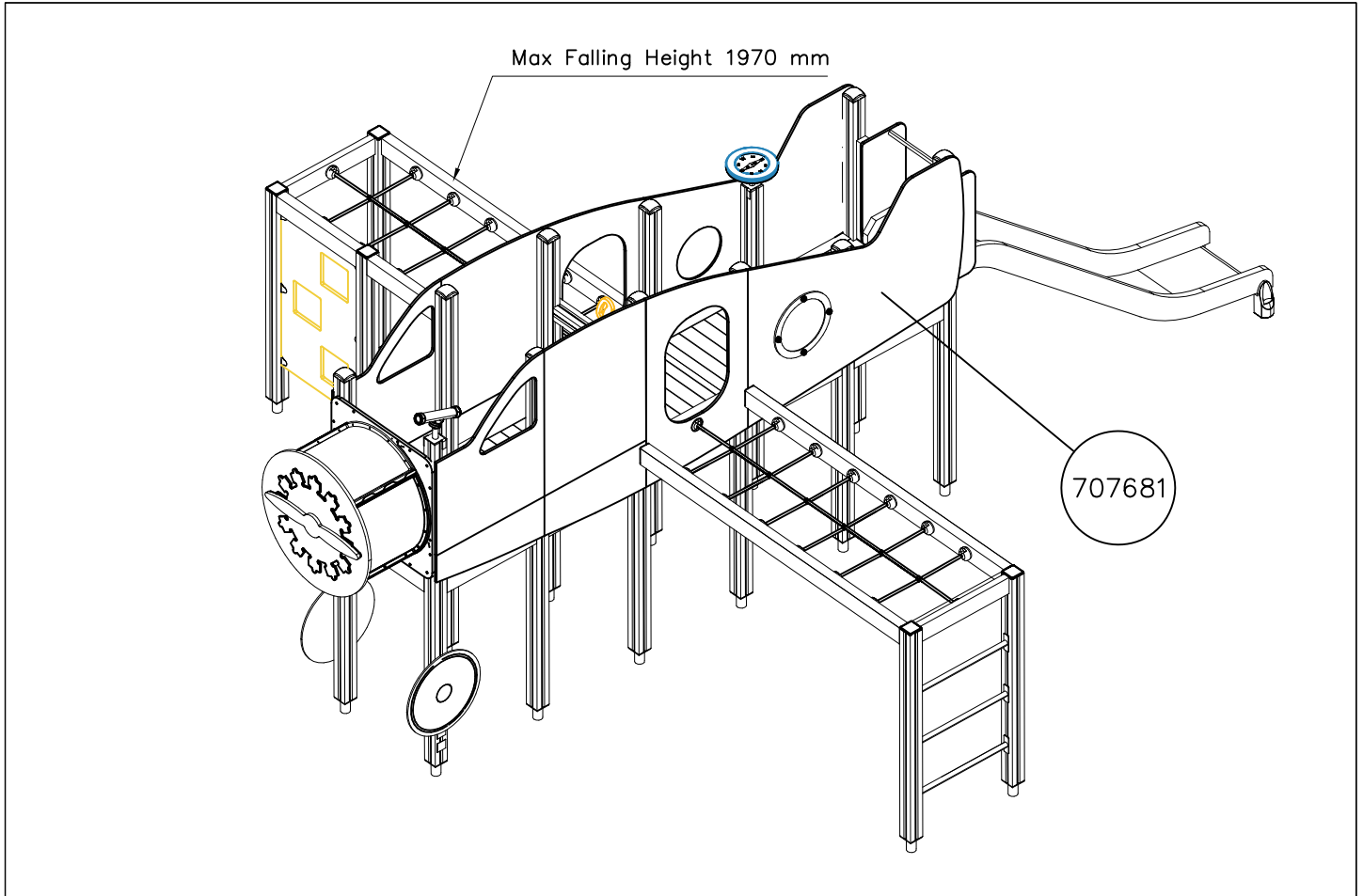
(B)

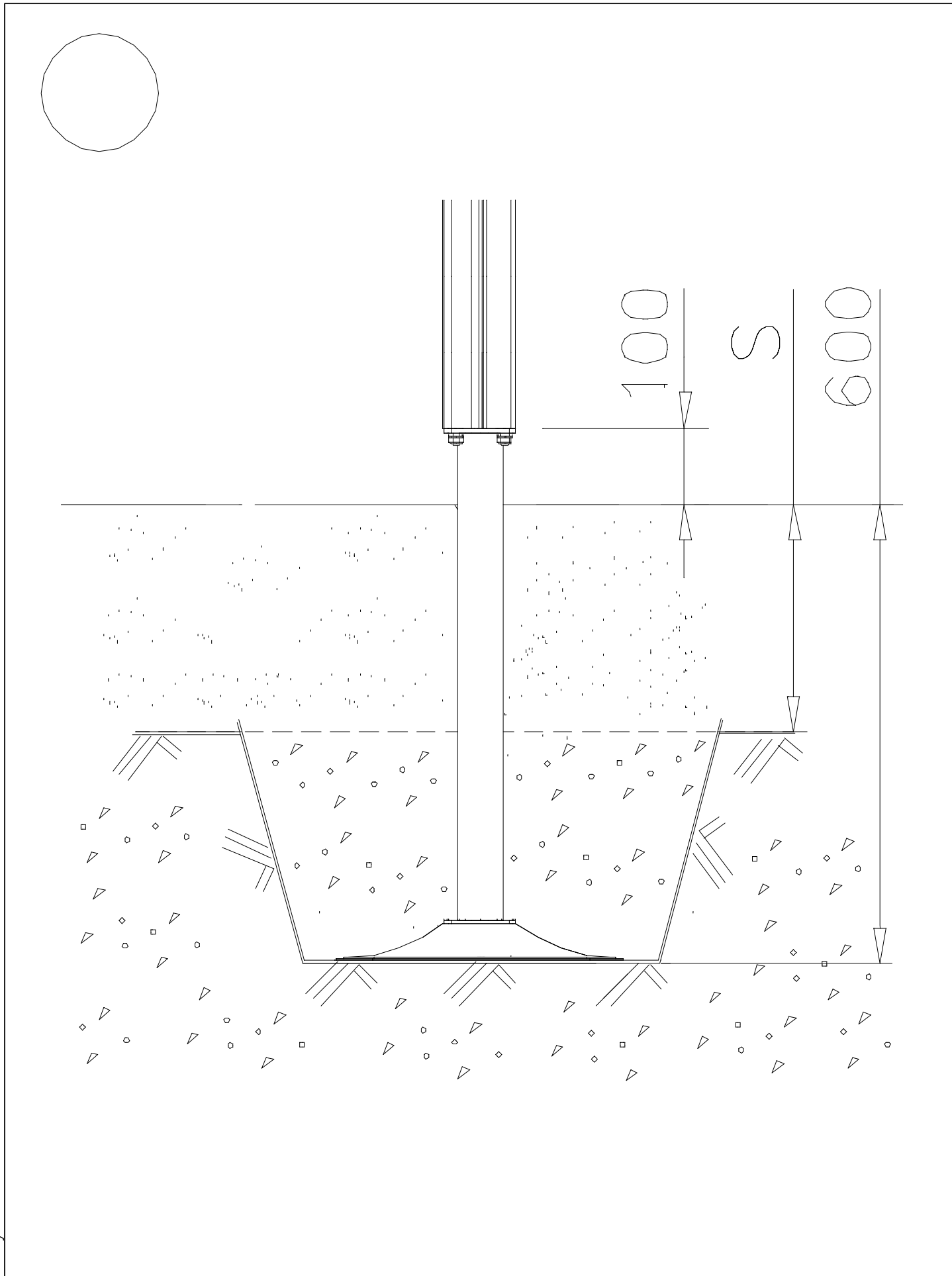


(C)

(D)





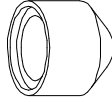


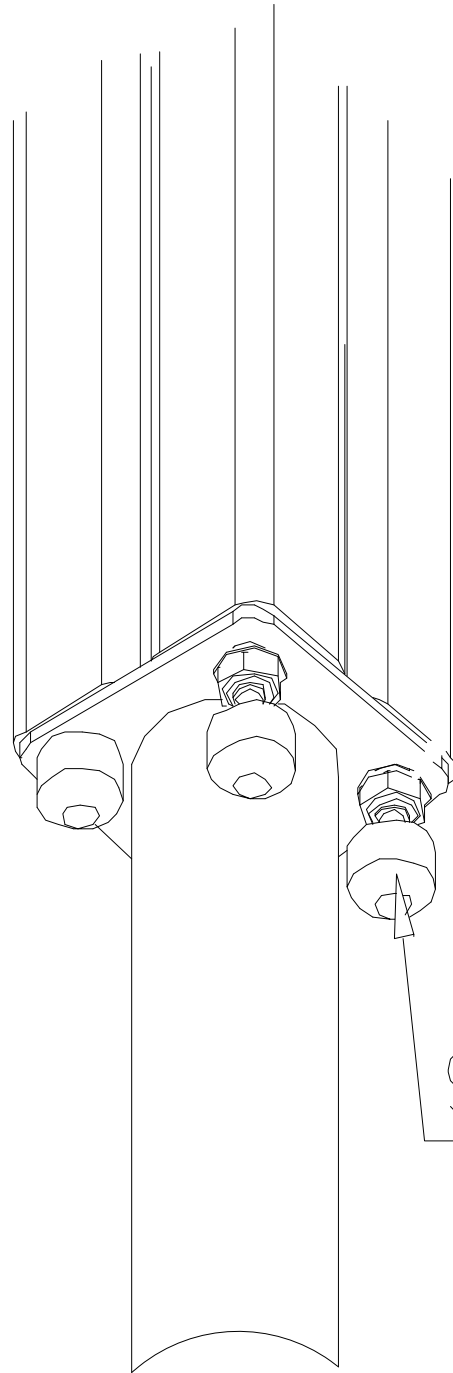
# WINAM GROUP BETON FOUNDATION

# FOOT

DATE: 27.10.2015



|  |     |  |     |
|--|-----|--|-----|
| ② 905104   | PCS |  | PCS |
|  | 4   |  |     |
| <br>M10 |     |  |     |
|  |     |  |     |
|  | PCS |  | PCS |
|  |     |  |     |
|  |     |  |     |

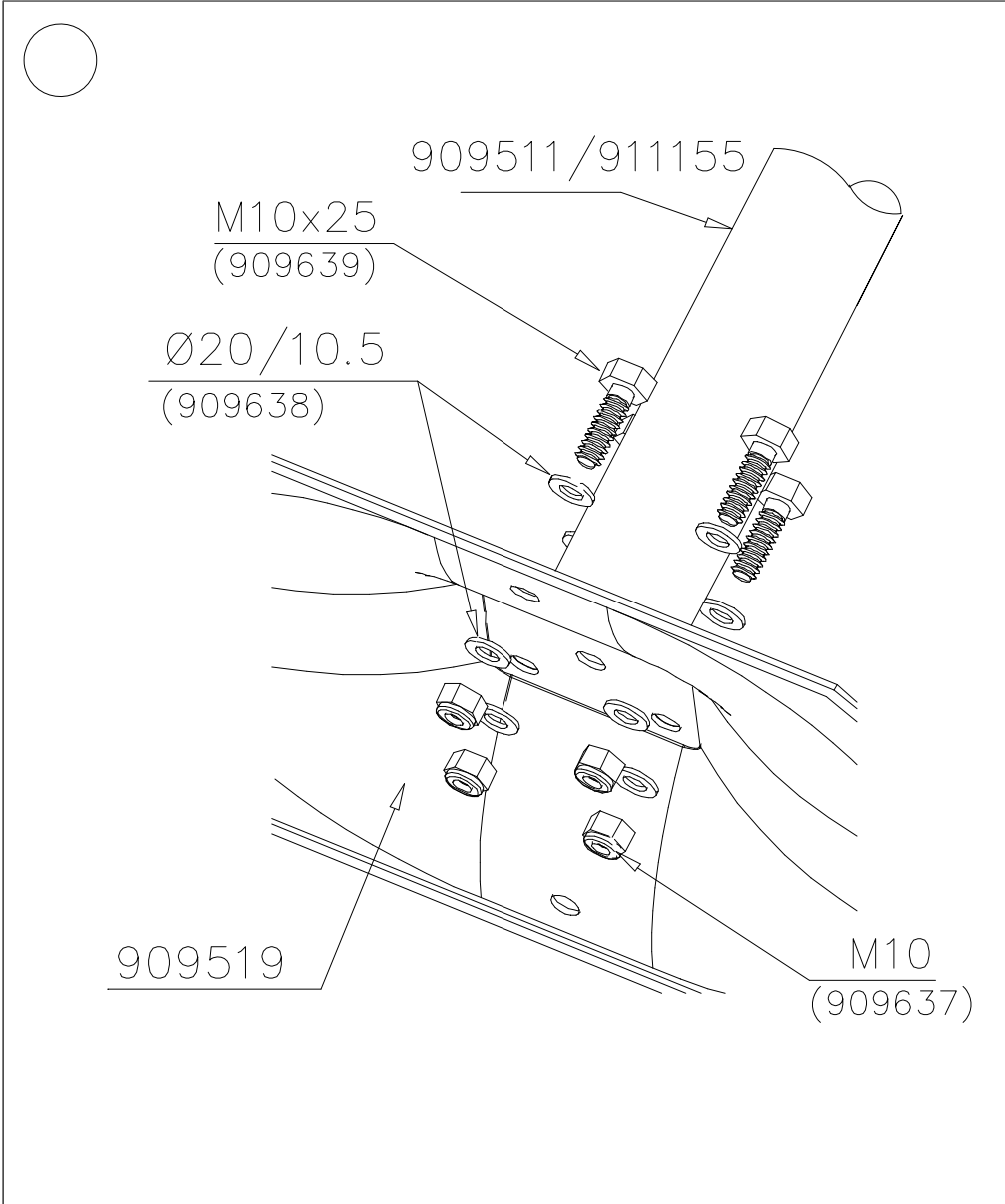


905104

# WINAM GROUP DEEP FOUNDATION

# FOOT

DATE: 15.5.2018



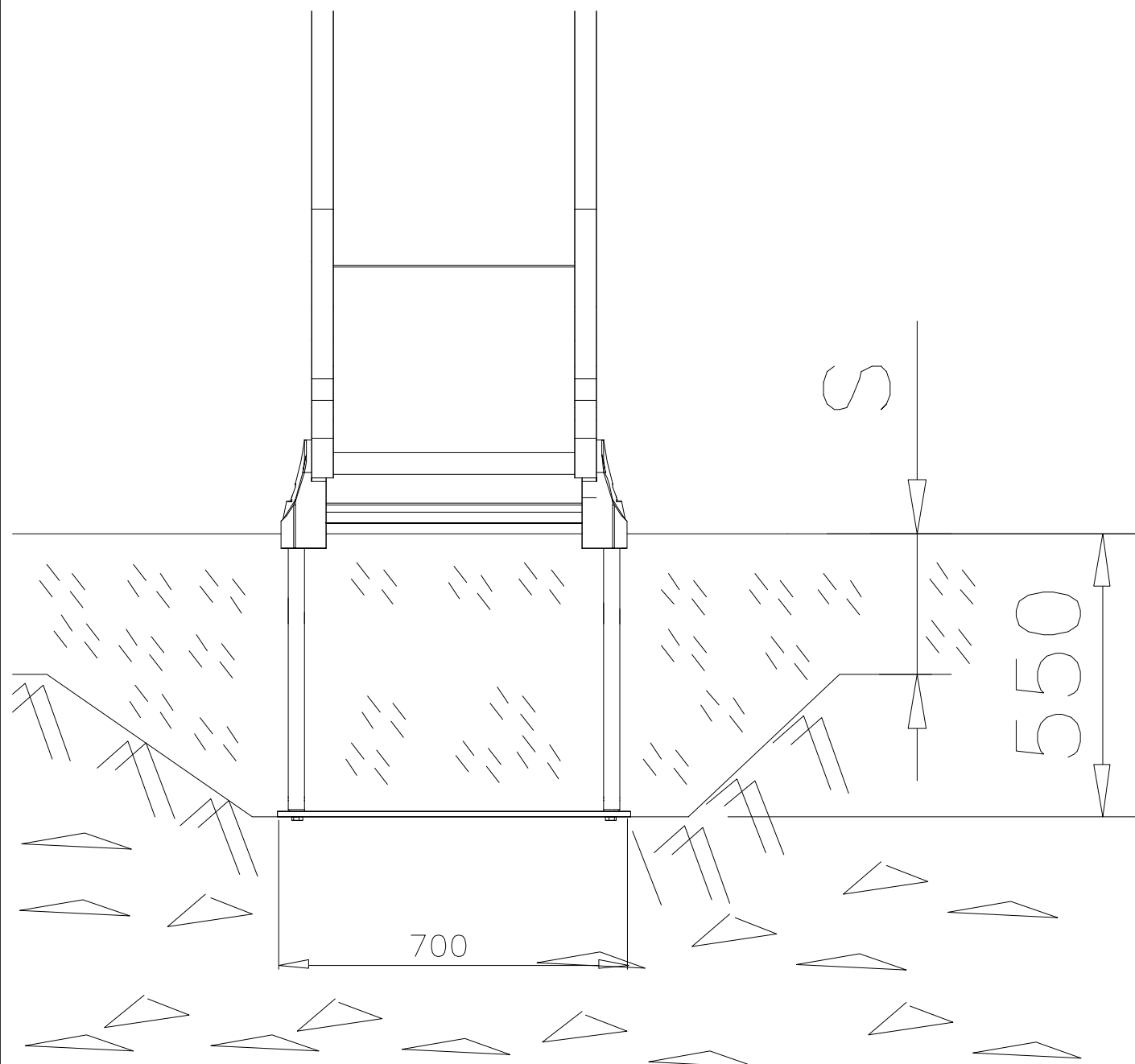
|             |     |            |     |
|-------------|-----|------------|-----|
| ① 909511    | PCS | ② 909519   | PCS |
|             | 1   |            | 1   |
| 90x90x650   |     | 50x380x380 |     |
| ③ 909637    | PCS | ④ 909638   | PCS |
|             | 4   |            | 8   |
| M10         |     | Ø20/10.5   |     |
| ⑤ 909639    | PCS | ⑥ 905104   | PCS |
|             | 4   |            | 4   |
| M10x25      |     | M10        |     |
| OPTION FOOT |     |            |     |
| ① 911155    | PCS |            | PCS |
|             | 1   |            |     |
| 90x90x650   |     |            |     |

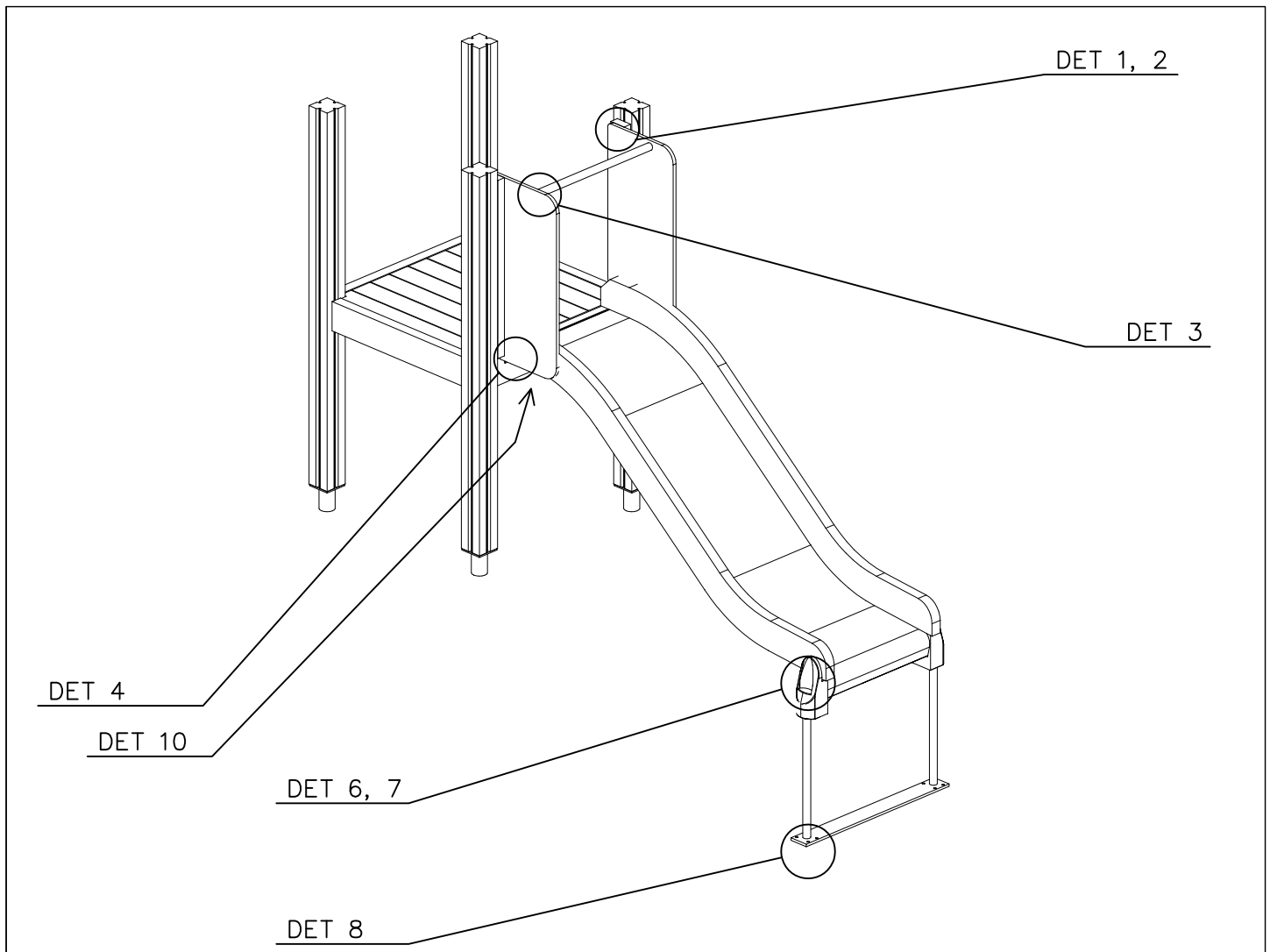


# WINAM GROUP DEEP FOUNDATION

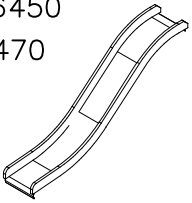
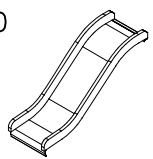
## SLIDE WOOD

DATE: 22.5.2015

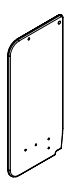




### SLIDE OPTIONS

|   |   |  |
|---|---|--|
| <p>706450<br/>+1470</p>  | <p>706450-602 DARK BROWN<br/>706450-603 LIGHT BROWN<br/>706450-604 LIGHT GRAY</p> |  |
| <p>706452<br/>+870</p>   | <p>706452-602 DARK BROWN<br/>706452-603 LIGHT BROWN<br/>706452-604 LIGHT GRAY</p> |  |

### WALL OPTIONS

|   |   |  |
|---|---|--|
| <p>706371</p>  | <p>706371-701 BLUE<br/>706371-702 YELLOW<br/>706371-703 LIME<br/>706371-704 DRARK GRAY<br/>706371-705 LIGHT GRAY<br/>706371-706 RED</p> | <p>706371-707 GREEN<br/>706371-708 FUXIA</p> |
|---|---|--|

# WINAM GROUP

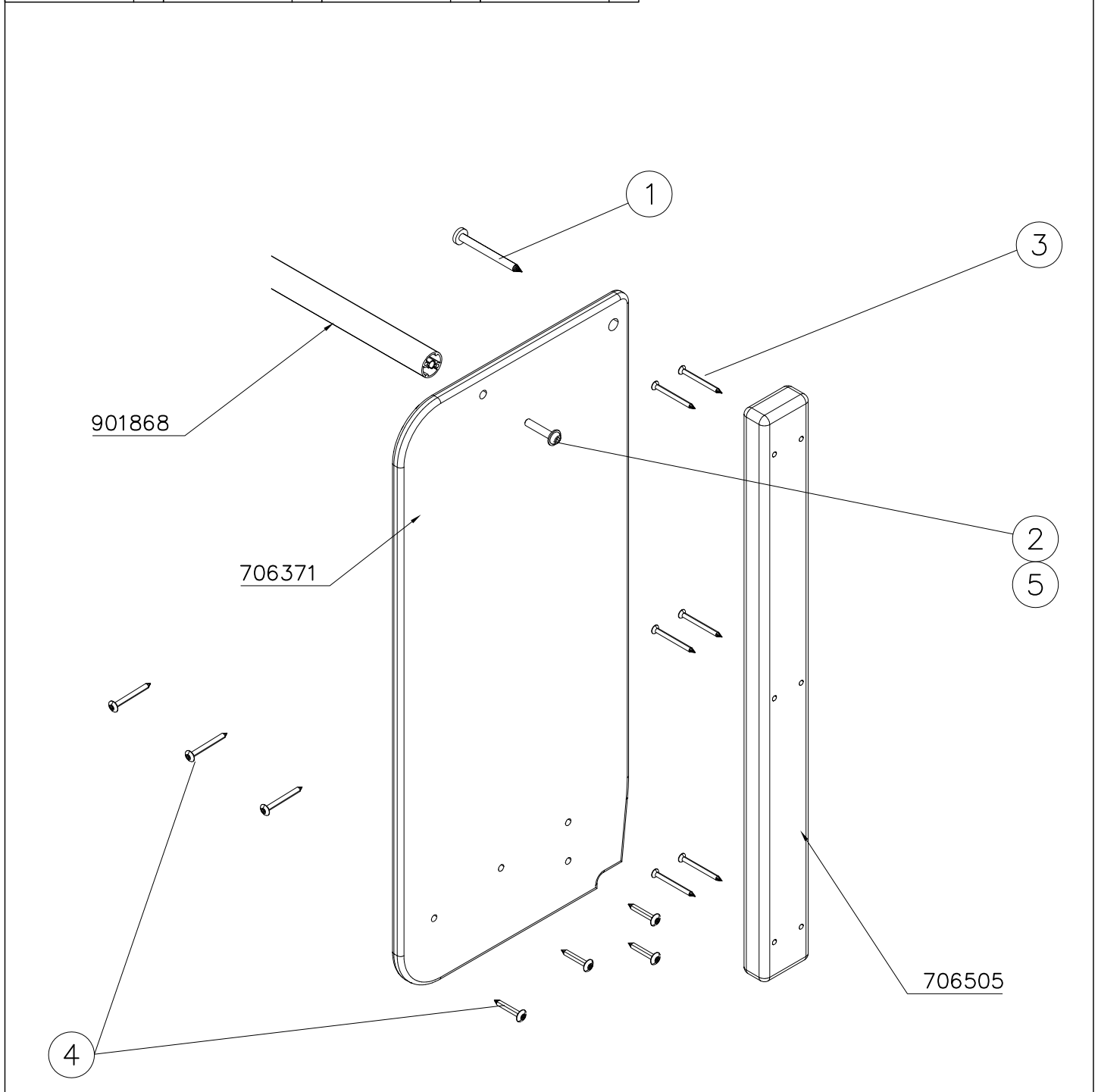
## 80M

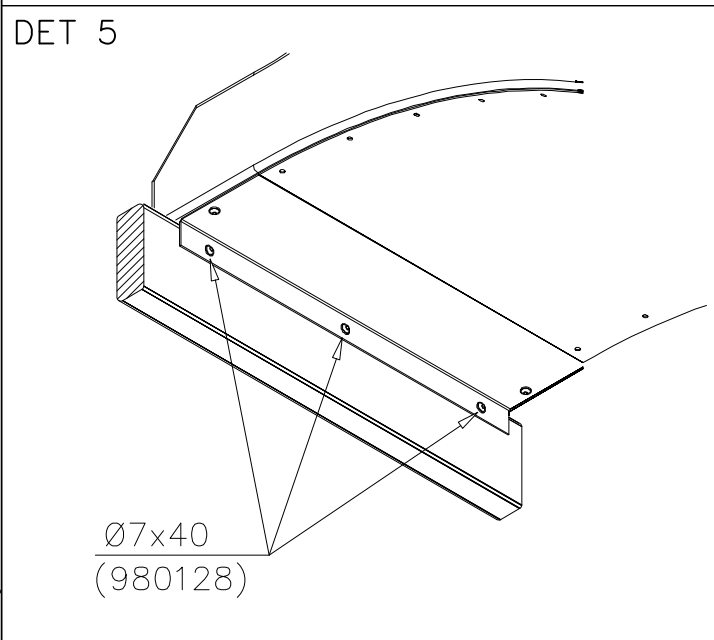
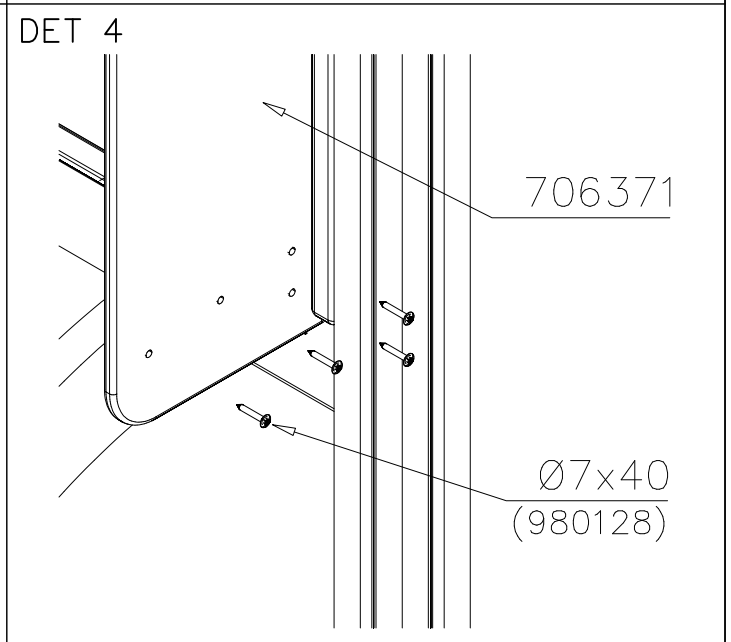
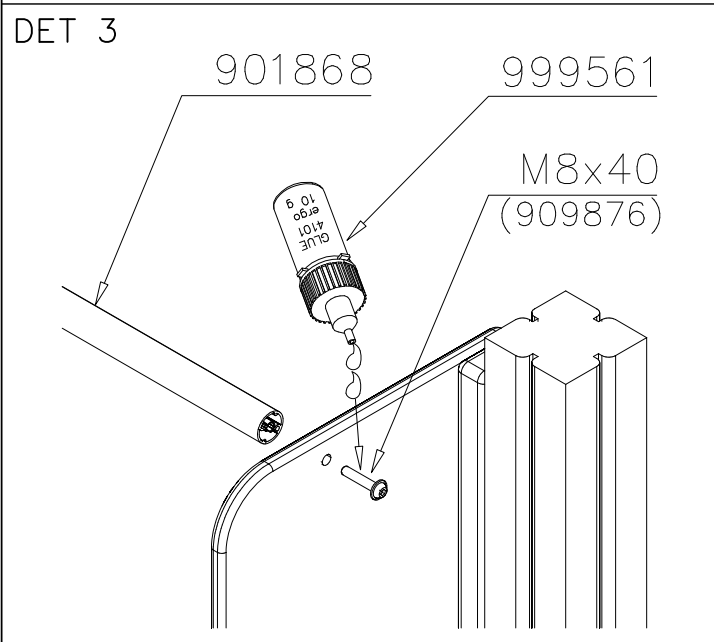
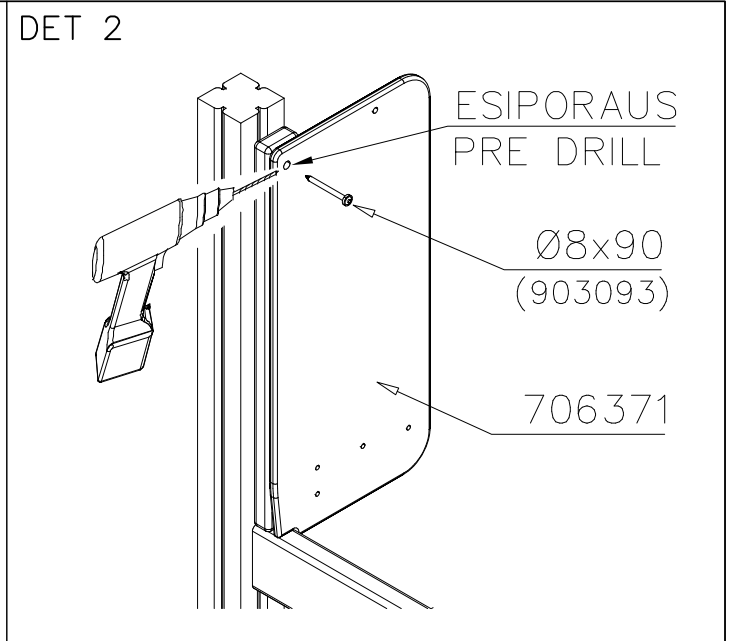
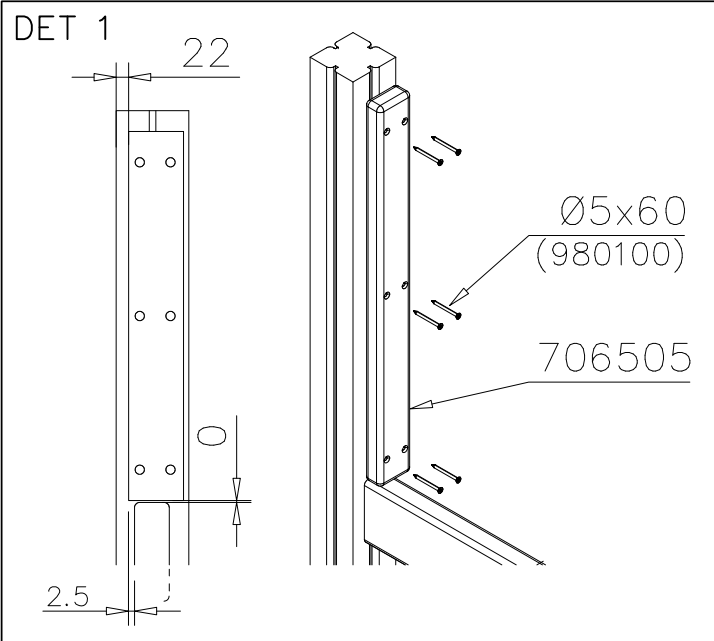
# SLIDE WOOD

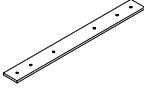
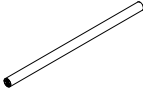




DATE: 3.11.2017

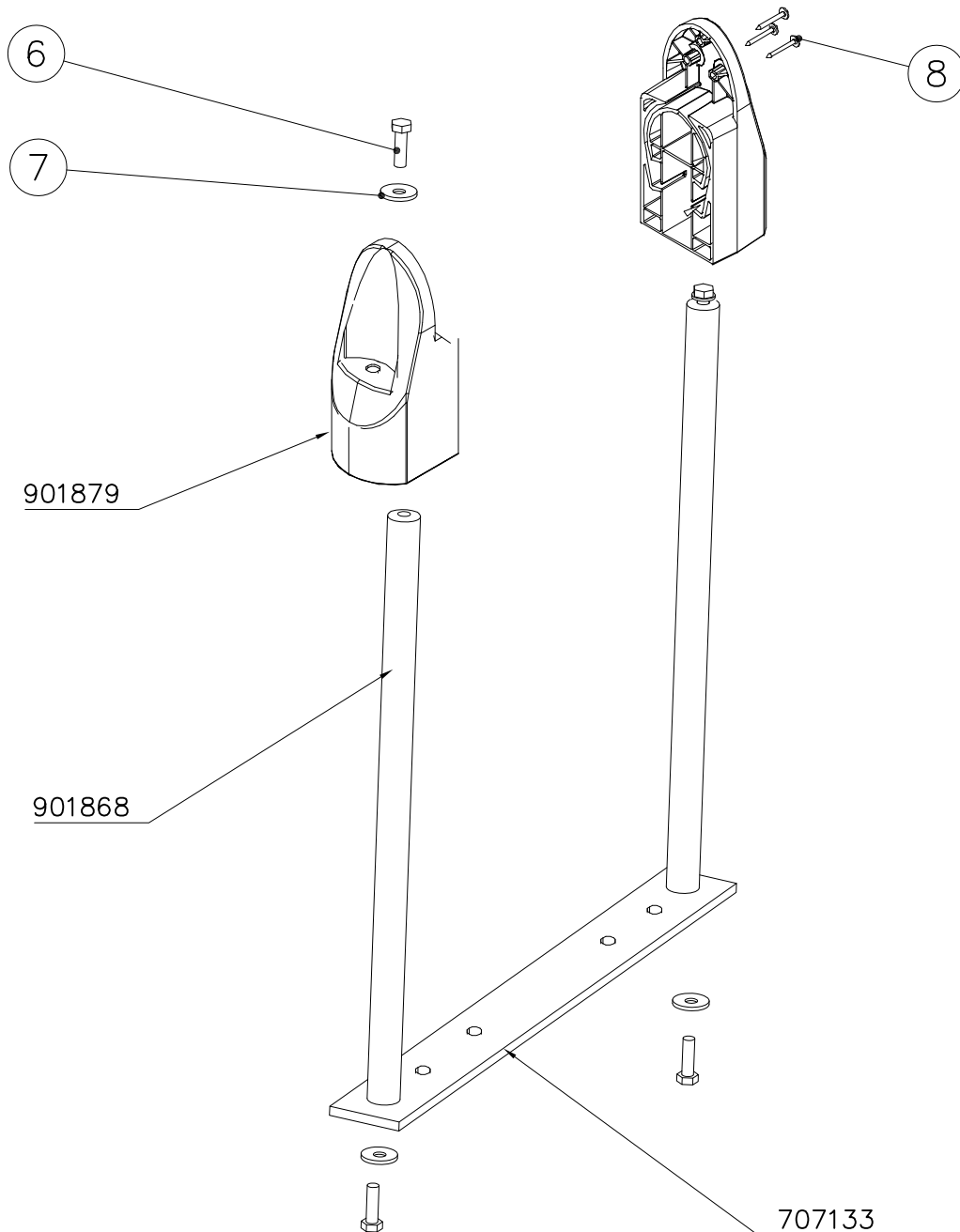


|                        |                         |                             |   |                          |                        |
|------------------------|-------------------------|-----------------------------|---|--------------------------|------------------------|
| ○ SLIDE<br>+1470<br>1  | ○ SLIDE<br>+870<br>1    | ○ 706371<br>15x345x750<br>2 | ○ 706505<br>35x70x730<br>2                  | ○ 901868<br>Ø34x598<br>1 | ① 903093<br>Ø8x90<br>2 |
| ② 909876<br>M8x40<br>2 | ③ 980100<br>Ø5x60<br>12 | ④ 980128<br>Ø7x40<br>11     | ⑤ 999561<br>GLUE 4101 ergo 10 g<br>10g<br>1 |                          |                        |

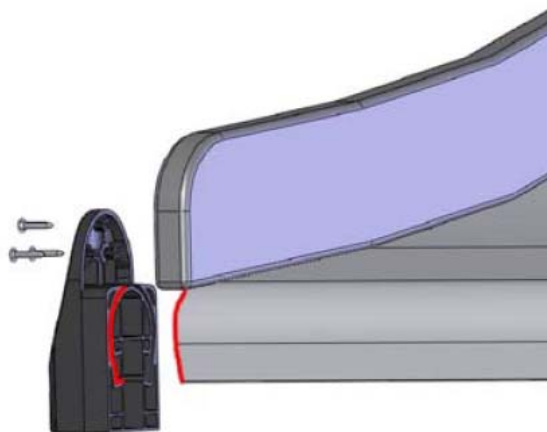




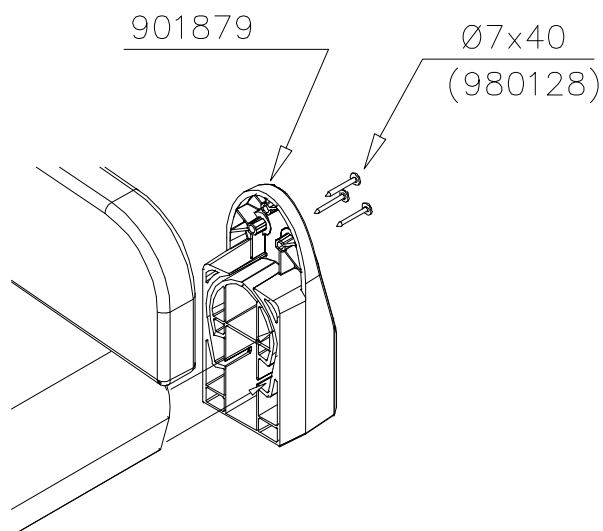
|  |          |   |          |   |          |   |          |  |          |   |          |
|--|----------|---|----------|---|----------|---|----------|--|----------|---|----------|
| ○ 707133   | PCS<br>1 | ○ 901868  | PCS<br>2 | ○ 901879  | PCS<br>2 | ⑥ 909210  | PCS<br>4 | ⑦ 905051   | PCS<br>4 | ⑧ 980128  | PCS<br>6 |
|  |          |  |          |  |          |  |          |  |          |  |          |
| 10x80x745  |          | Ø30x598   |          |   |          | M8x40   |          | Ø24/8.4  |          | Ø7x40   |          |



DET 6



Insert sheet metal IN to the plastic cover.

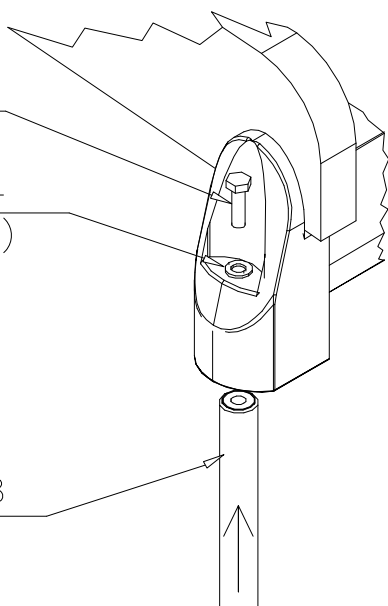


DET 7

M8x40  
(909210)

Ø24/8.4  
(905051)

901868



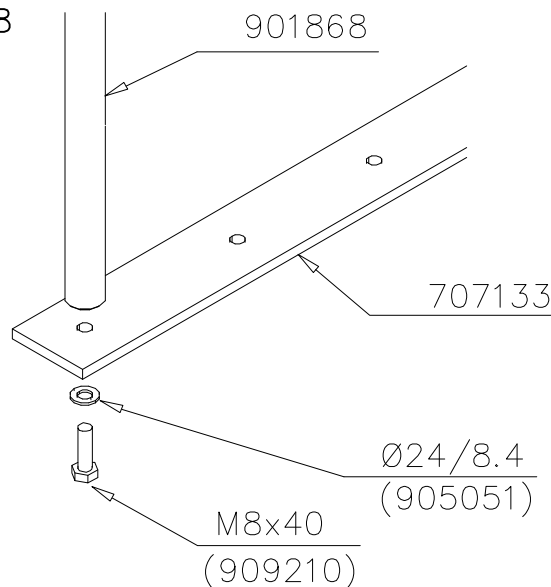
DET 8

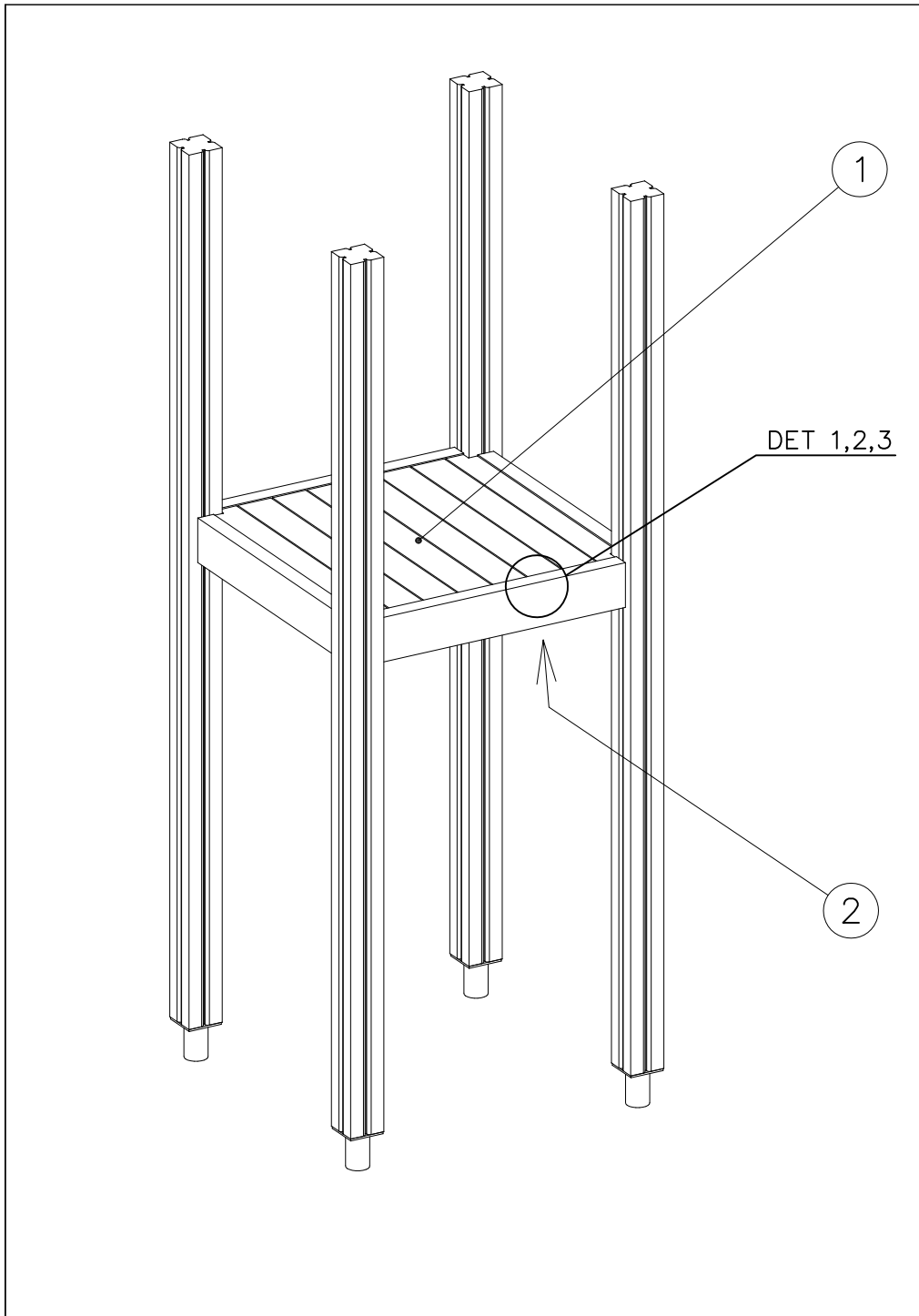
901868

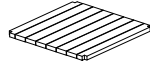
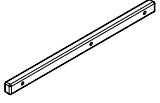


707133

Ø24/8.4  
(905051)

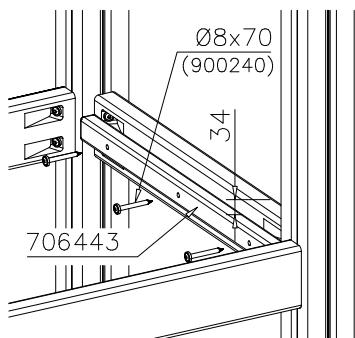
M8x40  
(909210)





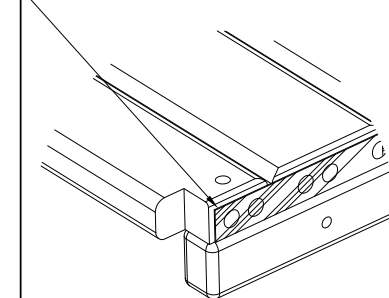
|   |     |   |     |
|---|-----|---|-----|
| ① 008986  | PCS | ② 706443  | PCS |
|  | 1   |  | 2   |
| 750x750   |     | 32x45x702   |     |
| ③ 900240  | PCS | ④ 980101  | PCS |
|  | 6   |  | 8   |
| Ø8x70   |     | Ø4.5x70   |     |
|   | PCS |   | PCS |
|   |     |   |     |
|   | PCS |   | PCS |
|   |     |   |     |
|   | PCS |   | PCS |
|   |     |   |     |

DET 1

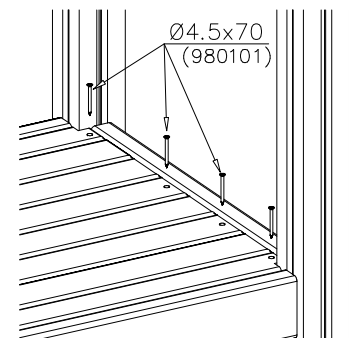


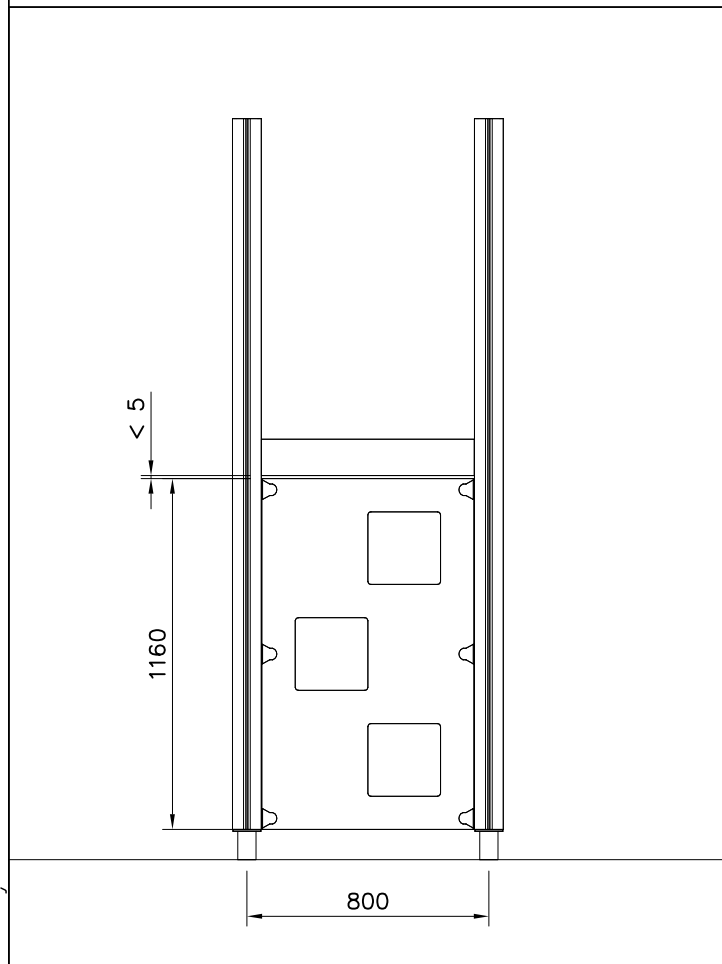
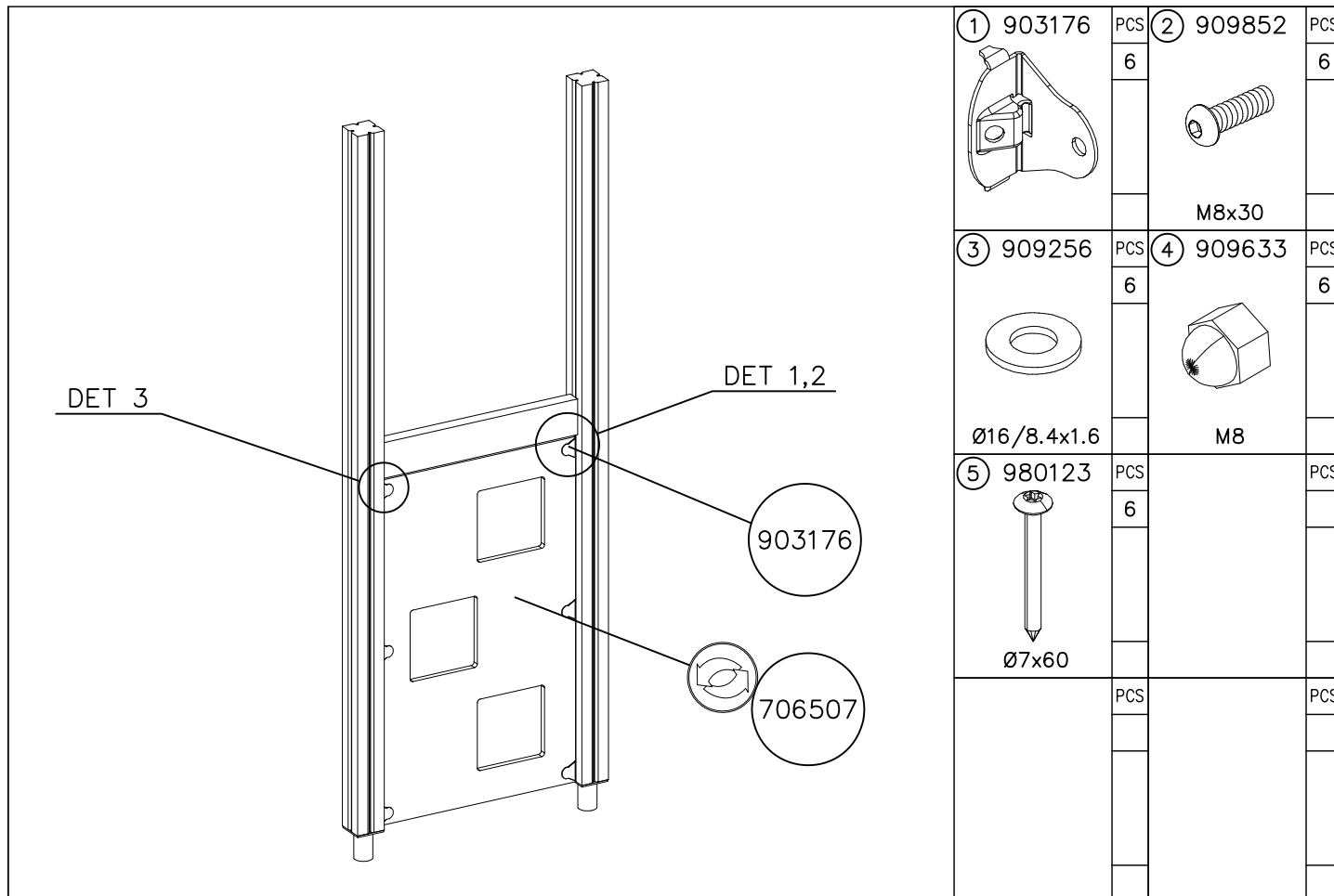
DET 2

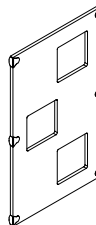
Naulanauha kannatinlistan puolelle.  
Nail list to the bottom.



DET 3

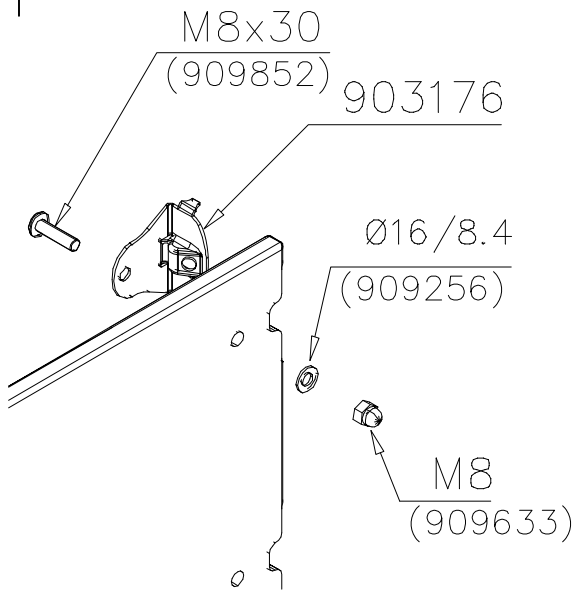




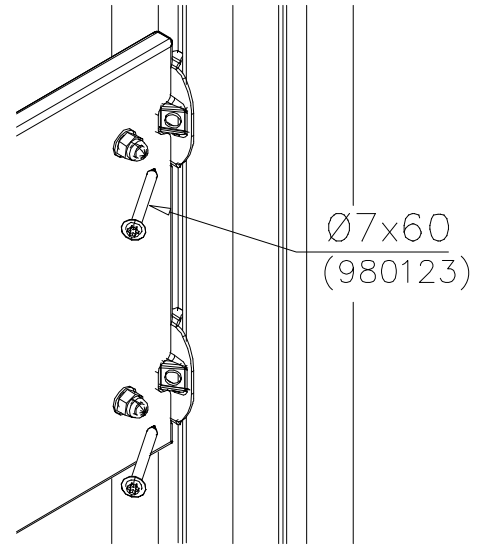
| WALL OPTIONS  |            |            |
|---|------------|------------|
| 706507  | 706507-701 | BLUE       |
|  | 706507-702 | YELLOW     |
|   | 706507-703 | LIME       |
|   | 706507-704 | DARK GRAY  |
|   | 706507-705 | LIGHT GRAY |
|   | 706507-706 | RED        |
|   | 706507-707 | GREEN      |
|   | 706507-708 | FUXIA      |
| 20x702x1160   |            |            |
|   |            |            |
|   |            |            |



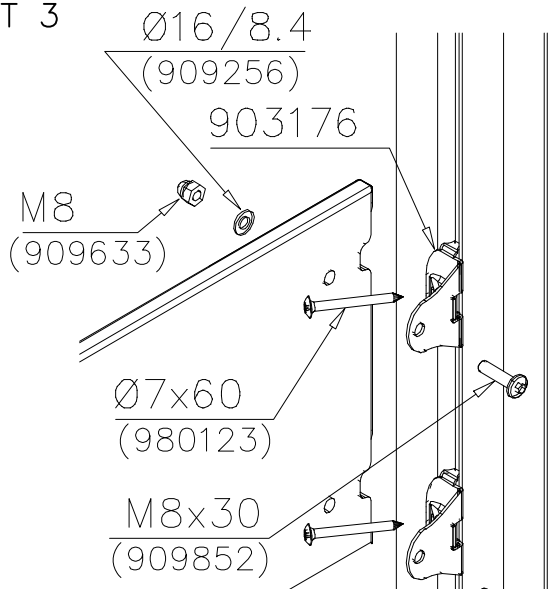
DET 1

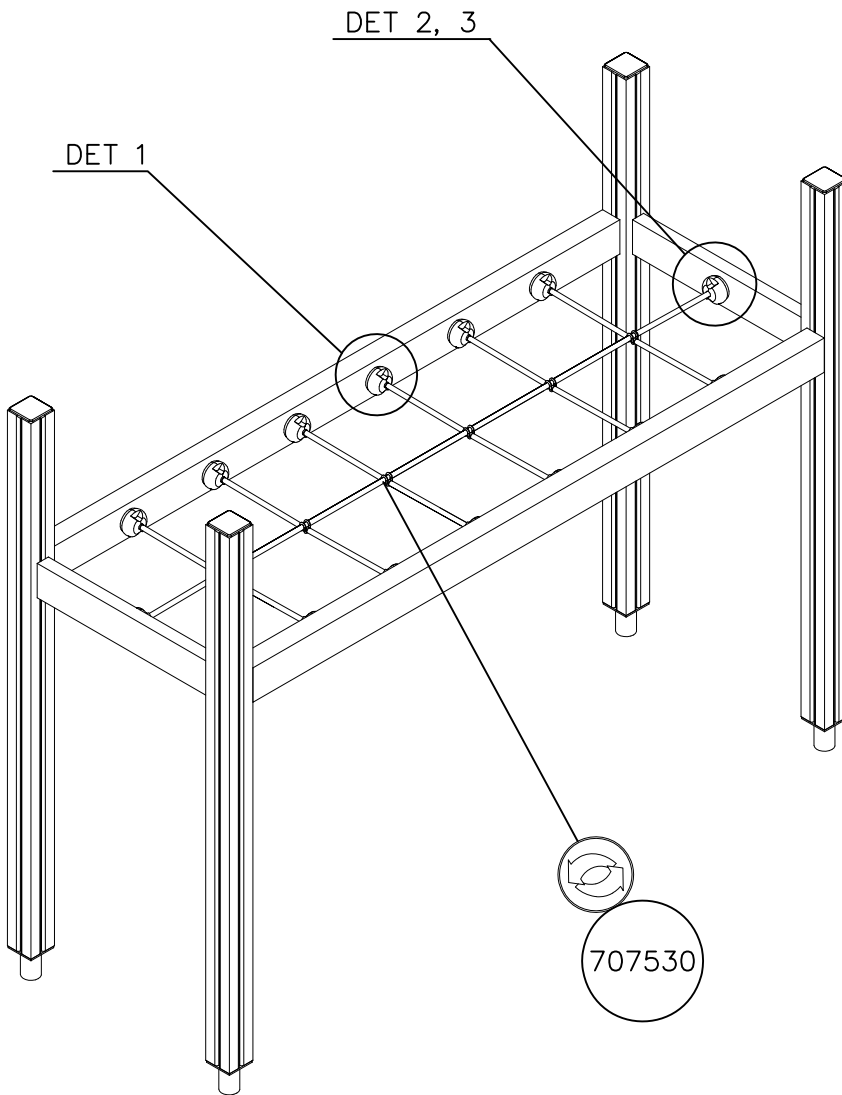


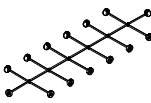

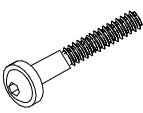
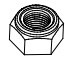
DET 2



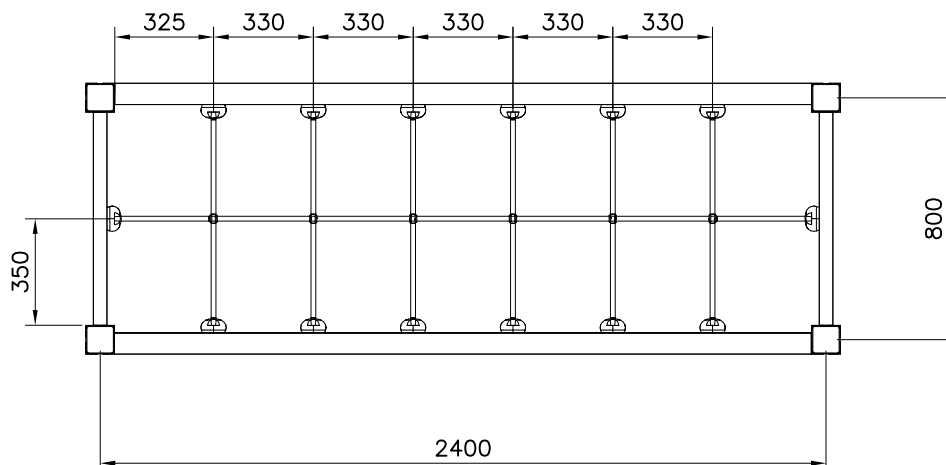
DET 3





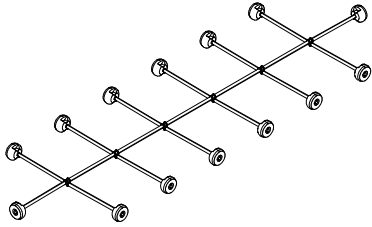
|   |     |   |     |
|---|-----|---|-----|
| ① 707530  | PCS | ② 900240  | PCS |
|  | 1   |  | 24  |
| 755x2355  |     | Ø8x70   |     |
| ③ 909867  | PCS | ④ 980150  | PCS |
|  | 4   |  | 10  |
| M8x70   |     | M8  |     |
|   | PCS |   | PCS |
|   |     |   |     |
|   | PCS |   | PCS |
|   |     |   |     |

1: 25



NET OPTIONS

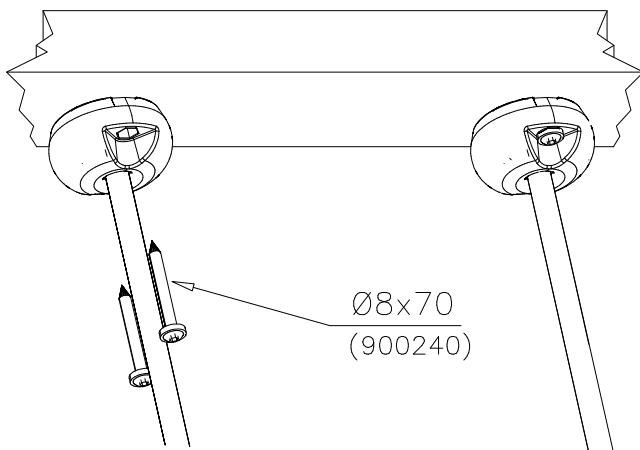
707530



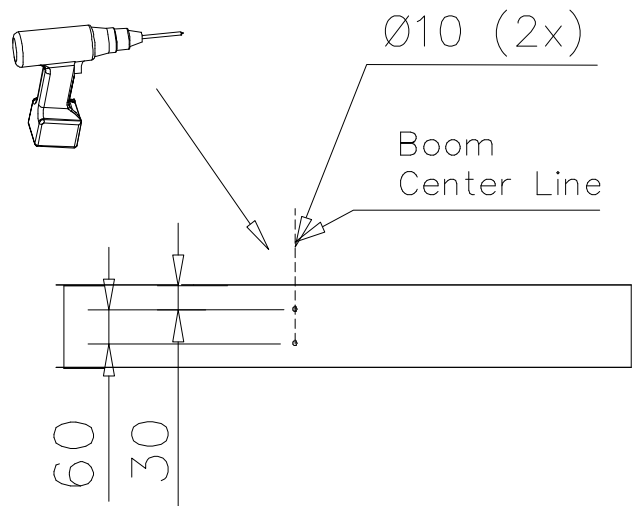
755x2355

- |            |        |
|------------|--------|
| 707530-301 | BLUE   |
| 707530-302 | RED    |
| 707530-303 | BEIGE  |
| 707530-304 | GREY   |
| 707530-305 | BLACK  |
| 707530-306 | YELLOW |

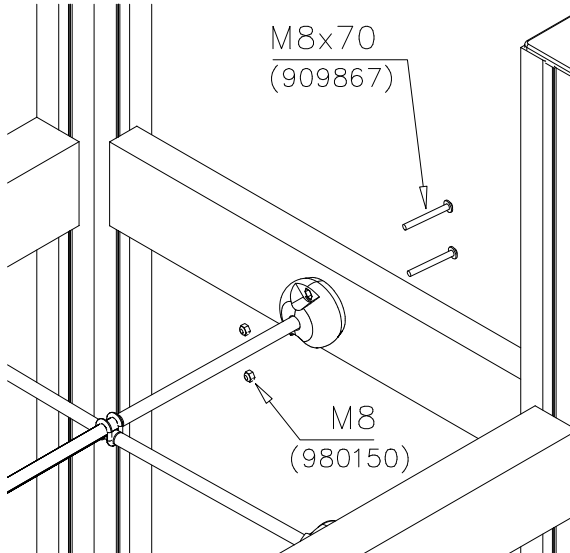
DET 1

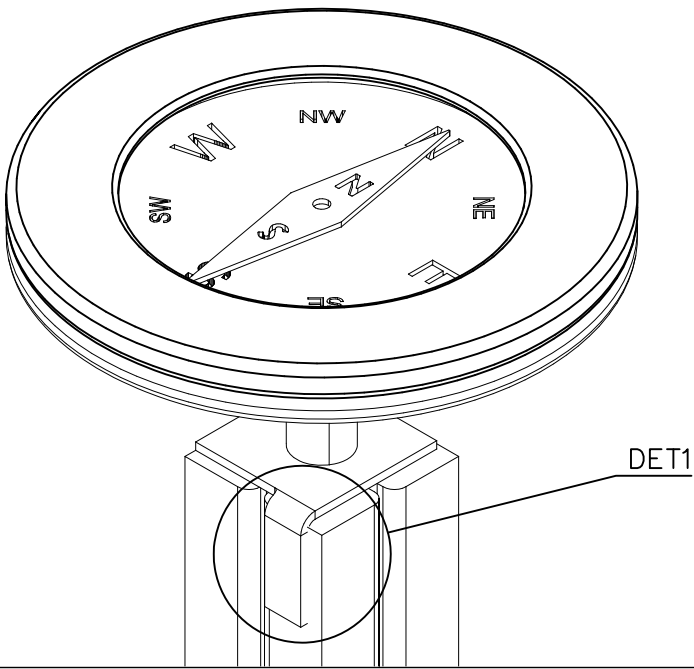
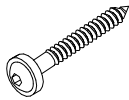
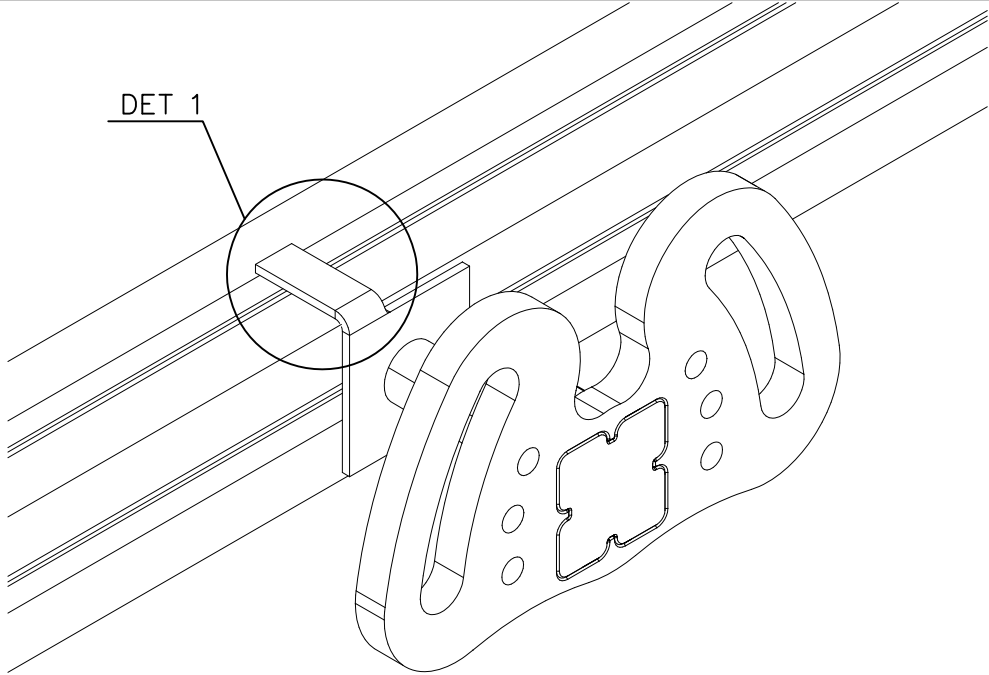

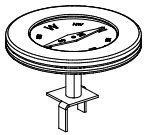
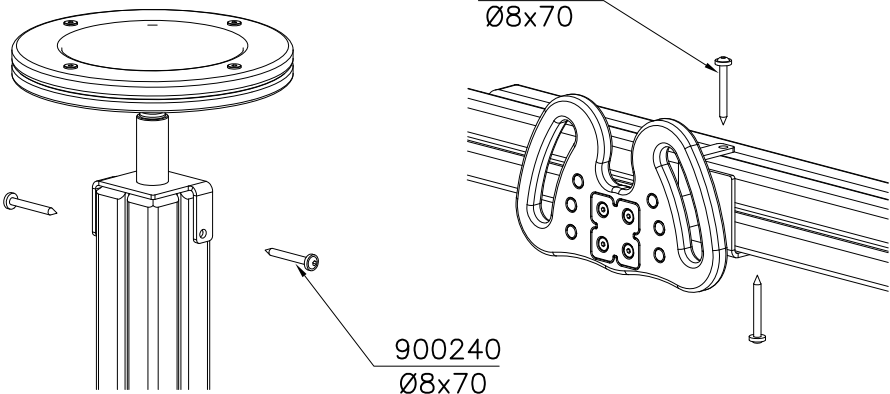
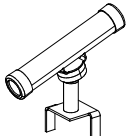
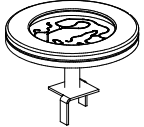


DET 2



DET 3

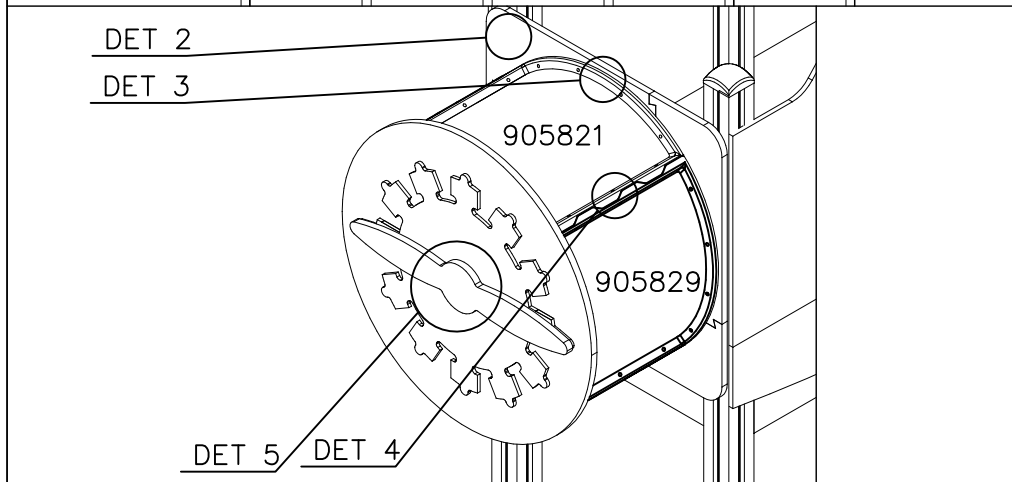
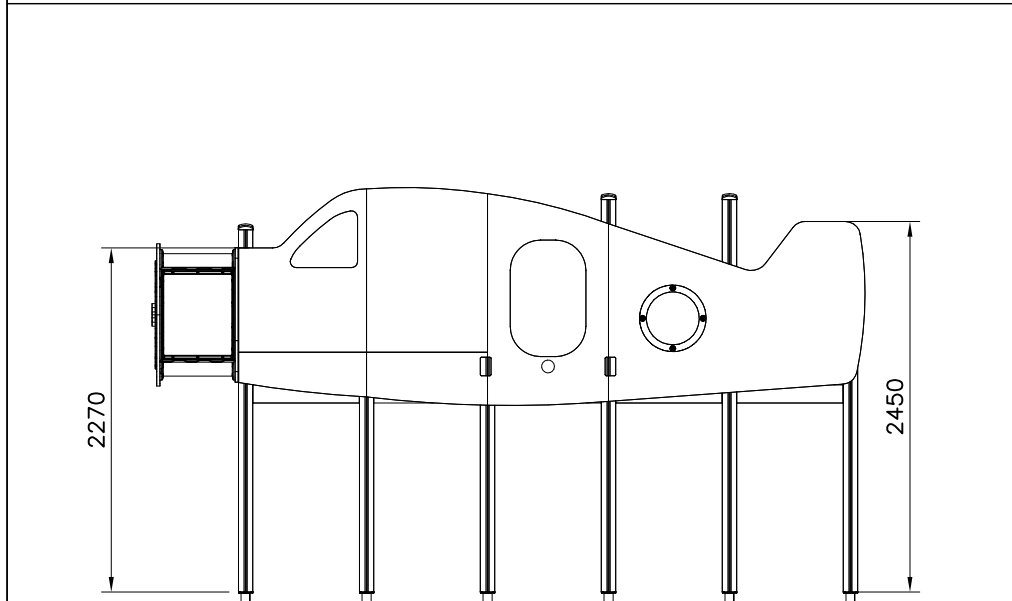
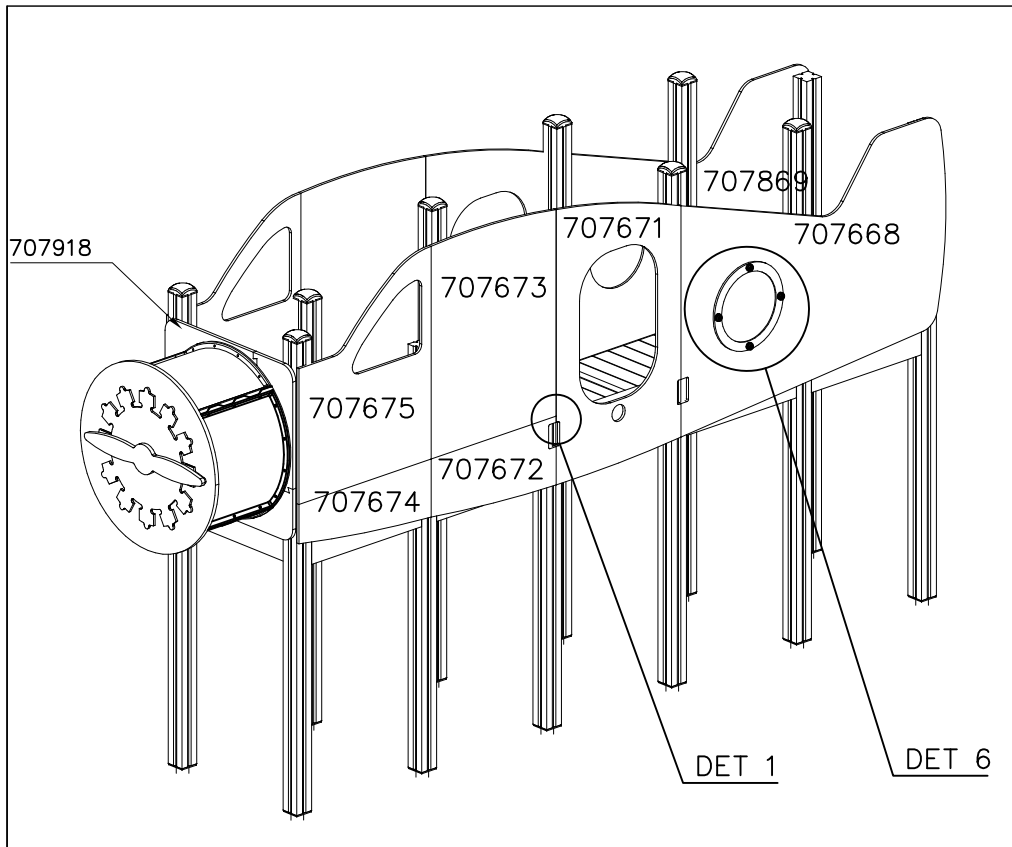


|   |   |  |
|---|---|--|
|                  | <p>① 900240 PCS</p> <p>2</p>  <p>Ø8x70</p> | <p>PCS</p> <p>PCS</p>  |
|                 | <p>○ 707302 PCS</p> <p>1</p>             | <p>○ 707303 PCS</p> <p>1</p>  |
| <p>DET 1</p>  | <p>○ 707304 PCS</p> <p>1</p>             | <p>○ 707305 PCS</p> <p>1</p>  |
|   | <p>PCS</p>  | <p>PCS</p>   |
|   | <p>PCS</p>  | <p>PCS</p>   |

# WINAM GROUP FASTENER KIT

# 707681

DATE: 25.11.2016



|             |        |     |        |        |     |
|-------------|--------|-----|--------|--------|-----|
| ①           | 900240 | PCS | ②      | 905083 | PCS |
|             |        | 13  |        |        | 8   |
| Ø8x70       |        |     | Ø32    |        |     |
| ③           | 905112 | PCS | ④      | 980123 | PCS |
|             |        | 64  |        |        | 70  |
| Ø22         |        |     | Ø7x60  |        |     |
| ⑤           | 980151 | PCS | ⑥      | 905831 | PCS |
|             |        | 8   |        |        | 56  |
| Ø16/8.4     |        |     | Ø32x19 |        |     |
| ⑦           | 909205 | PCS | ⑧      | 909208 | PCS |
|             |        | 12  |        |        | 32  |
| M8x60       |        |     | M8     |        |     |
| ⑨           | 909256 | PCS | ⑩      | 909866 | PCS |
|             |        | 5   |        |        | 35  |
| Ø16/8.4x1.6 |        |     | M8x60  |        |     |
| ⑪           | 909633 | PCS | ⑫      | 909855 | PCS |
|             |        | 5   |        |        | 8   |
| M8          |        |     | M8x35  |        |     |
| ⑬           | 909876 | PCS | ⑭      | 980150 | PCS |
|             |        | 2   |        |        | 20  |
| M8x40       |        |     | M8     |        |     |
| ⑮           | 903533 | PCS |        |        | PCS |
|             |        | 6   |        |        |     |
| SRL12       |        |     |        |        |     |

# WINAM GROUP FASTENER KIT

# 707681

DATE: 25.11.2016

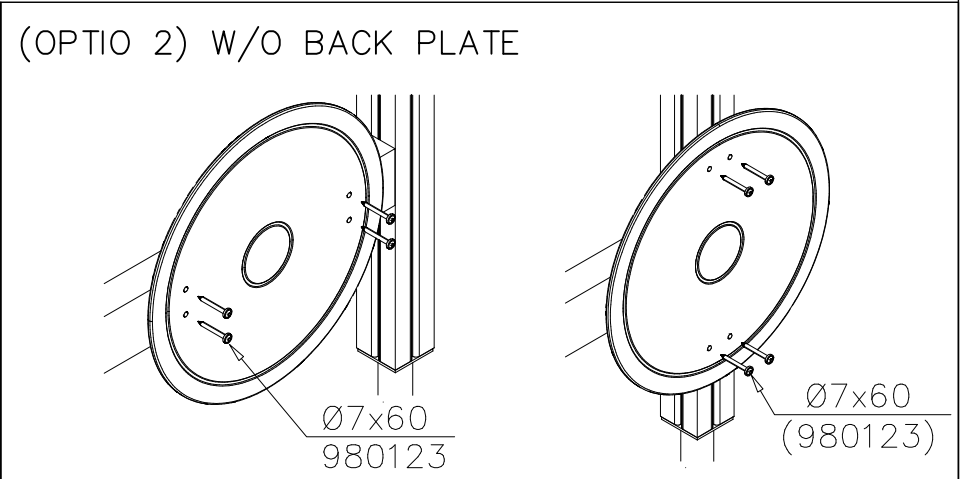
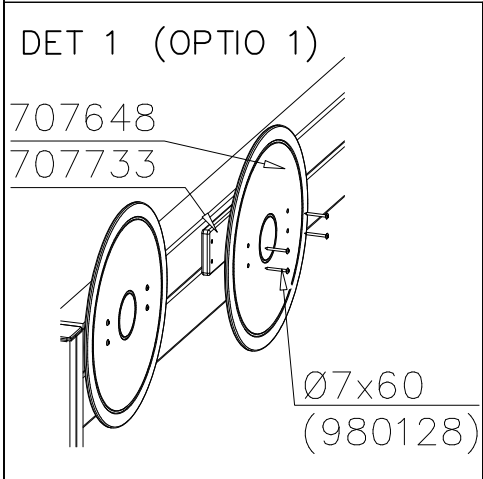
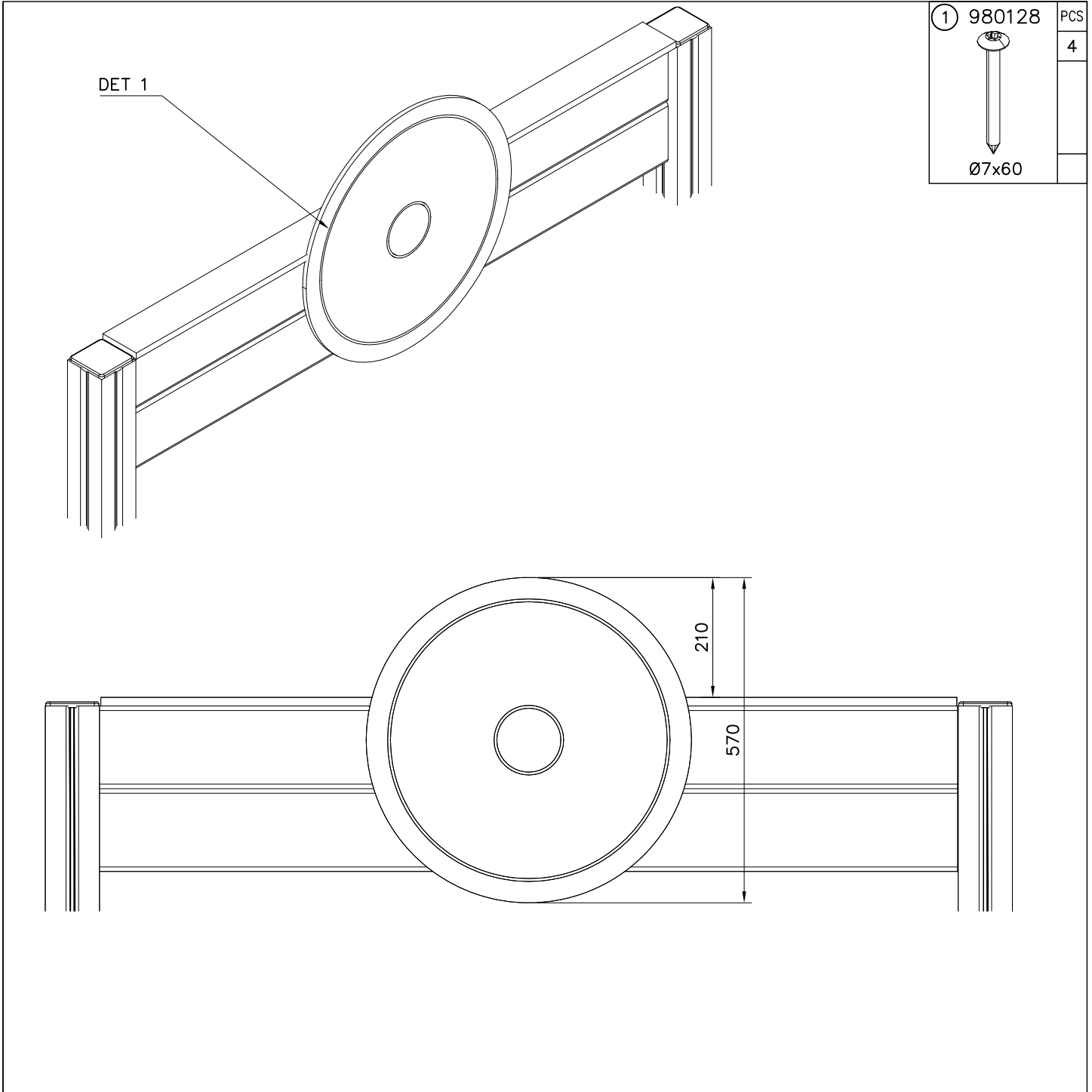


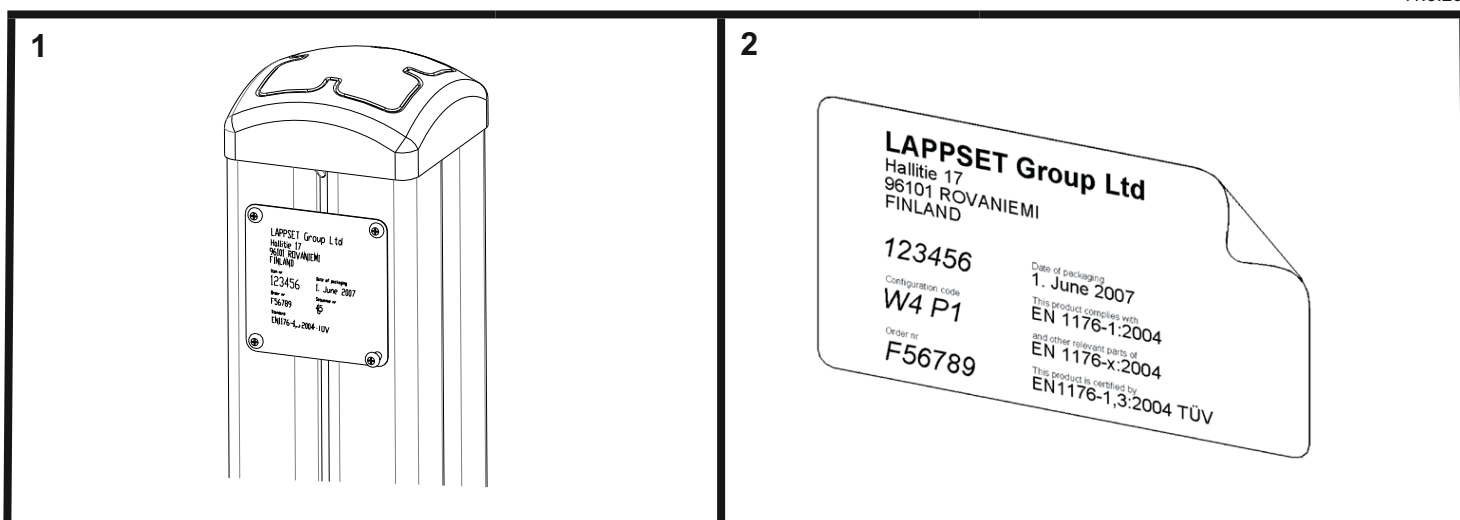
|  |   |  |   |
|--|---|--|---|
| <p>DET 1</p> <p><math>\varnothing 7 \times 60</math></p>   | <p>DET 2</p> <p>Plug the holes what you don't need</p> <p><math>\varnothing 8 \times 70</math><br/>900240</p> <p>Drill through the holes you need</p> | <p><math>\varnothing</math> 005238 PCS<br/>2</p> <p><math>\varnothing 440 \times 10</math></p> | <p><math>\varnothing</math> 005254 PCS<br/>2</p> <p><math>\varnothing 370 \times 8</math></p> |
| <p>DET 3</p> <p>M8 (909208)<br/>905112</p> <p>M8x60<br/>909866</p> <p>905831</p>   | <p>DET 4</p> <p>8x60</p> <p>905112</p> <p>905831</p> <p>M8</p>  | <p><math>\varnothing</math> 707869 PCS<br/>1</p> <p>15x1190x1697</p>                           | <p><math>\varnothing</math> 707668 PCS<br/>1</p> <p>15x1190x1697</p>                          |
| <p>DET 5</p> <p>M8x40<br/>M8x60<br/>909866</p> <p><math>\varnothing 16 / 8.4 \times 1.6</math></p> <p>M8</p>   |   | <p><math>\varnothing</math> 707918 PCS<br/>4</p> <p>20x275x640</p>                             | <p><math>\varnothing</math> 707672 PCS<br/>2</p> <p>15x350x800</p>                            |
| <p>DET 6</p> <p><math>\varnothing 32</math></p> <p><math>\varnothing 16 / 8.4</math></p> <p>M8</p> <p><math>\varnothing 22</math></p> <p>M8x35</p> <p>005238</p> <p>005254</p> |   | <p><math>\varnothing</math> 707671 PCS<br/>2</p> <p>15x800x1400</p>                            | <p><math>\varnothing</math> 707674 PCS<br/>2</p> <p>15x295x847</p>                            |
|  |   | <p><math>\varnothing</math> 707673 PCS<br/>2</p> <p>15x800x1090</p>                            | <p><math>\varnothing</math> 707679 PCS<br/>1</p> <p>10x717x810</p>                            |
|  |   | <p><math>\varnothing</math> 707675 PCS<br/>2</p> <p>15x847x1081</p>                            | <p><math>\varnothing</math> 707683 PCS<br/>1</p> <p>21x150x820</p>                            |
|  |   | <p><math>\varnothing</math> 707682 PCS<br/>1</p> <p>21x941x941</p>                             | <p><math>\varnothing</math> 905821 PCS<br/>2</p> <p>149x516x616</p>                           |
|  |   | <p><math>\varnothing</math> 905829 PCS<br/>2</p> <p>149x516x616</p>                            |   |

# WINAM GROUP FASTENER KIT

# 707764

DATE: 15.6.2016





### Tuotekyltti tulee tuotteen mukana yhdellä seuraavista tavoista:

#### 1) Metallinen tuotekyltti ja kiinnitysruuvit

- Kiinnitä tuotekyltti ruuveilla tolppaan noin 2 metrin korkeuteen kuvan 2 mukaisesti.

#### 2) Tuotekylttitarra

- Puhdista maalattu metalli- tai vaneripinta pölystä ja kosteudesta. Liimaa tarra kuvan 3 mukaisesti.
- Huom. Älä kiinnitä tarraa karheapintaiseen laminaattiin tai maalattuun puuhun.

### Vår produktmärkning levereras på ett av följande sätt:

#### 1) Produktskylt i metall

- Fäst skylten med de medföljande skruvarna

#### 2) Självhäftande produktetikett

- Rengör den pulverlackerad metallytan eller laminatytans åttanblirfrifrån smuts och fukt. Fäst etiketten enligt fig. 3.
- Obs! Fäst ej etiketten på detaljer med skrovlig yta eller på målat trä.

### Product label is delivered by one of following ways:

#### 1) Metal product label and screws

- Fasten the label with screws.

#### 2) Label sticker

- Clean the painted metal or plywood surface from dirt and moisture. Fasten the sticker as shown in the figure 3.
- Note. Do not attach the sticker to rough surfaced laminate or painted wood.

### La plaque d'informations produit est livrée sous l'une de ces 3 formes :

#### 1) Plaque métallique et vis

- Fixez la plaque à l'aide des vis.

#### 2) Etiquette autocollante

- Avant de coller l'étiquette, nettoyez le composant métallique peint ou la plaque de contreplaqué, de toute saleté. La surface doit être sèche (voir image 3).
- Attention, ne pas coller l'étiquette sur une surface lamellé-collée irrégulière ou sur du bois peint.

### Die Auslieferung des Produktaufklebers erfolgt auf eine dieser Arten:

#### 1) Produkt-Schild aus Metall incl. Schrauben

- Die Befestigung des Schildes erfolgt mittels der Schrauben.

#### 2) Aufkleber

- Entfernen Sie zunächst Schmutz und Feuchtigkeit vom lackierten Metall bzw. von der Holzoberfläche und bringen Sie den Aufkleber wie im Bild oben rechts beschrieben auf den gesäuberten Untergrund auf.
- Beachten Sie: Bringen Sie den Aufkleber nicht auf raues laminiertes oder lackiertes Holz an.