

WINAM GROUP

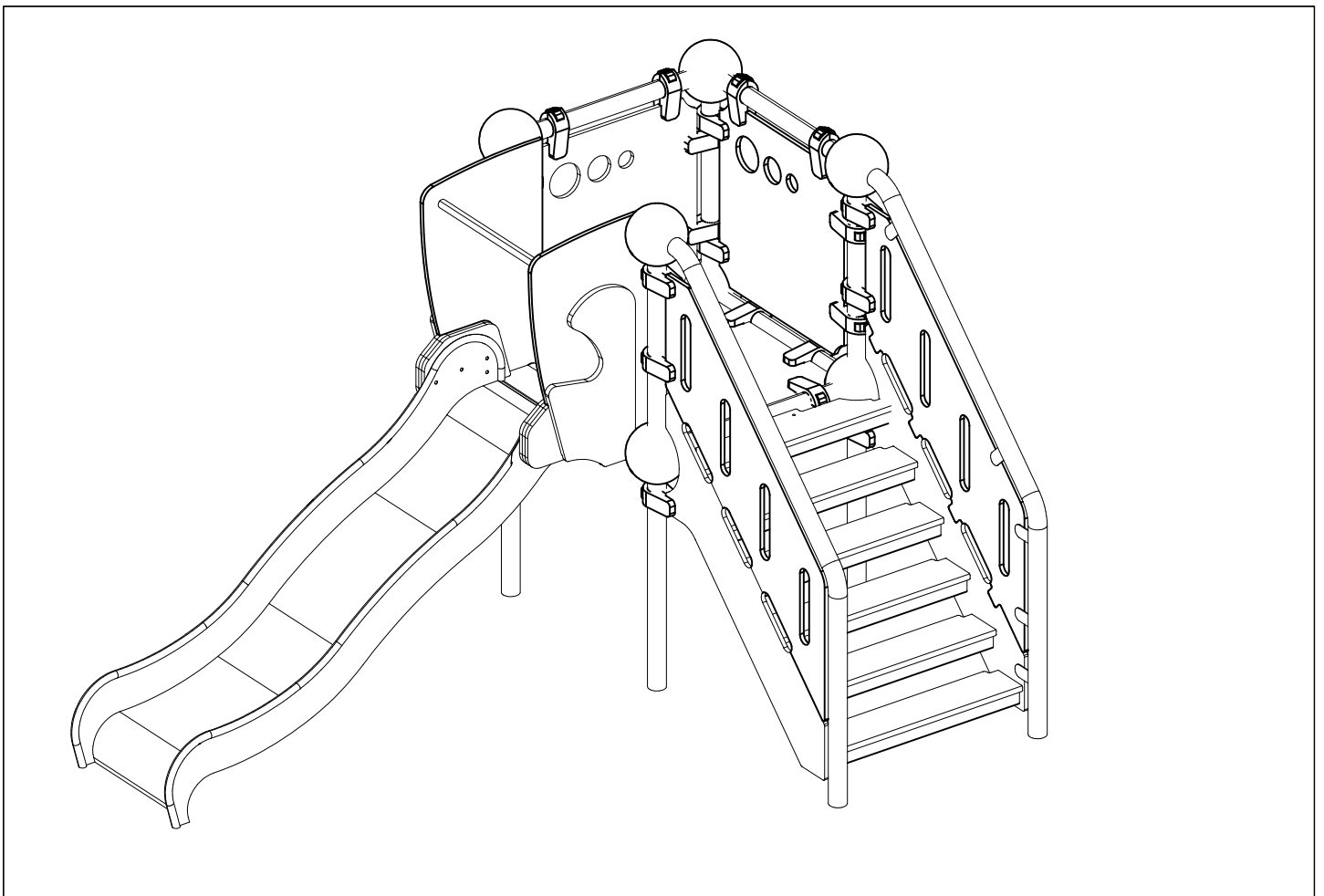
CLOXX


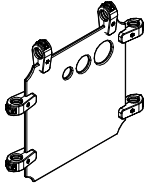
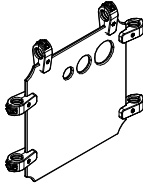
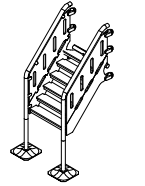
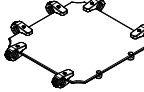
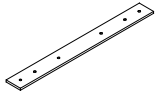

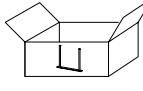
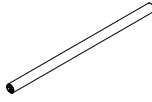
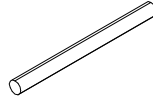
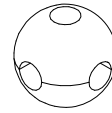


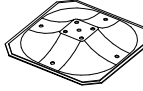
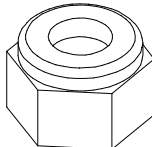

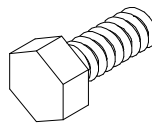
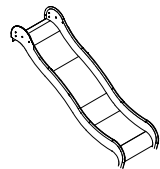


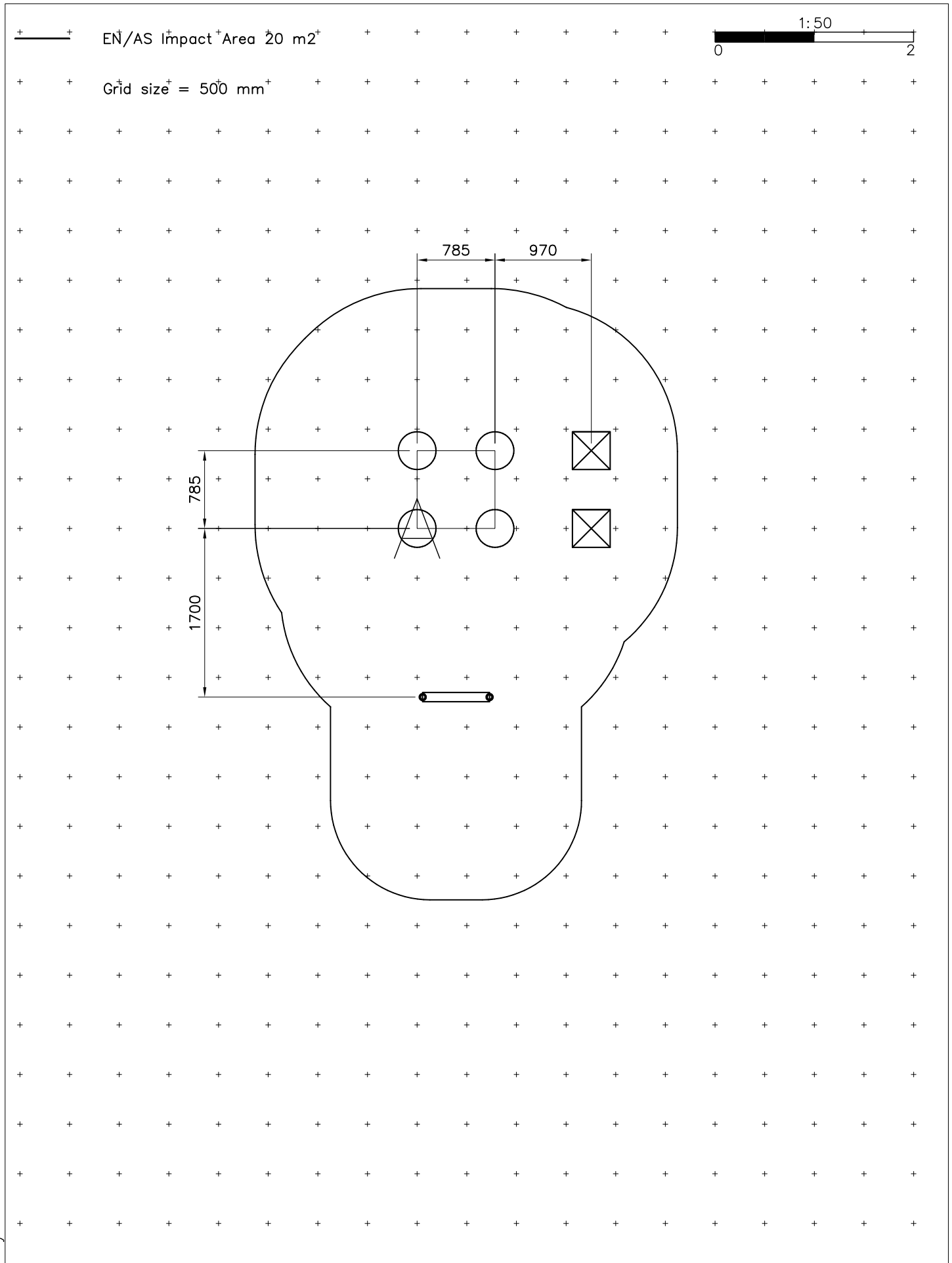
ASENNUSOHJE
MONTERINGSANSVISNING
INSTALLATION INSTRUCTION
AUFBAUANLEITUNG
NOTICE D'INSTALLATION

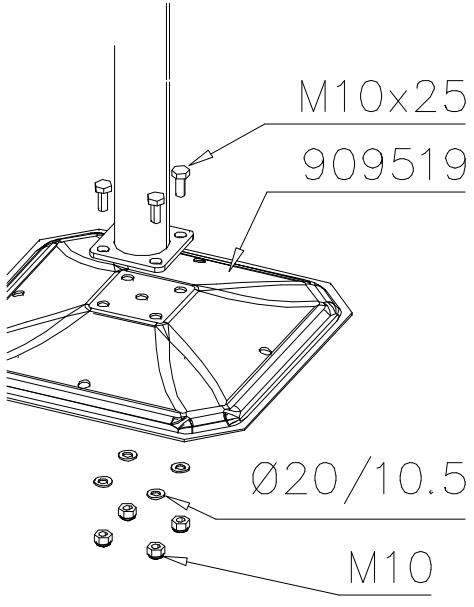
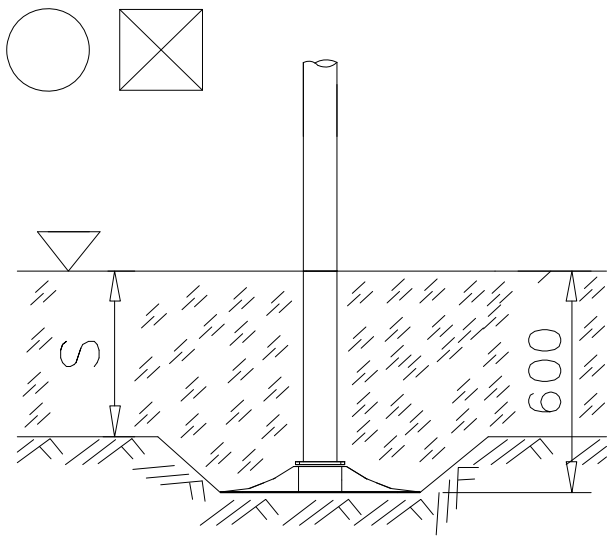
DATE: 21.2.2019

220300

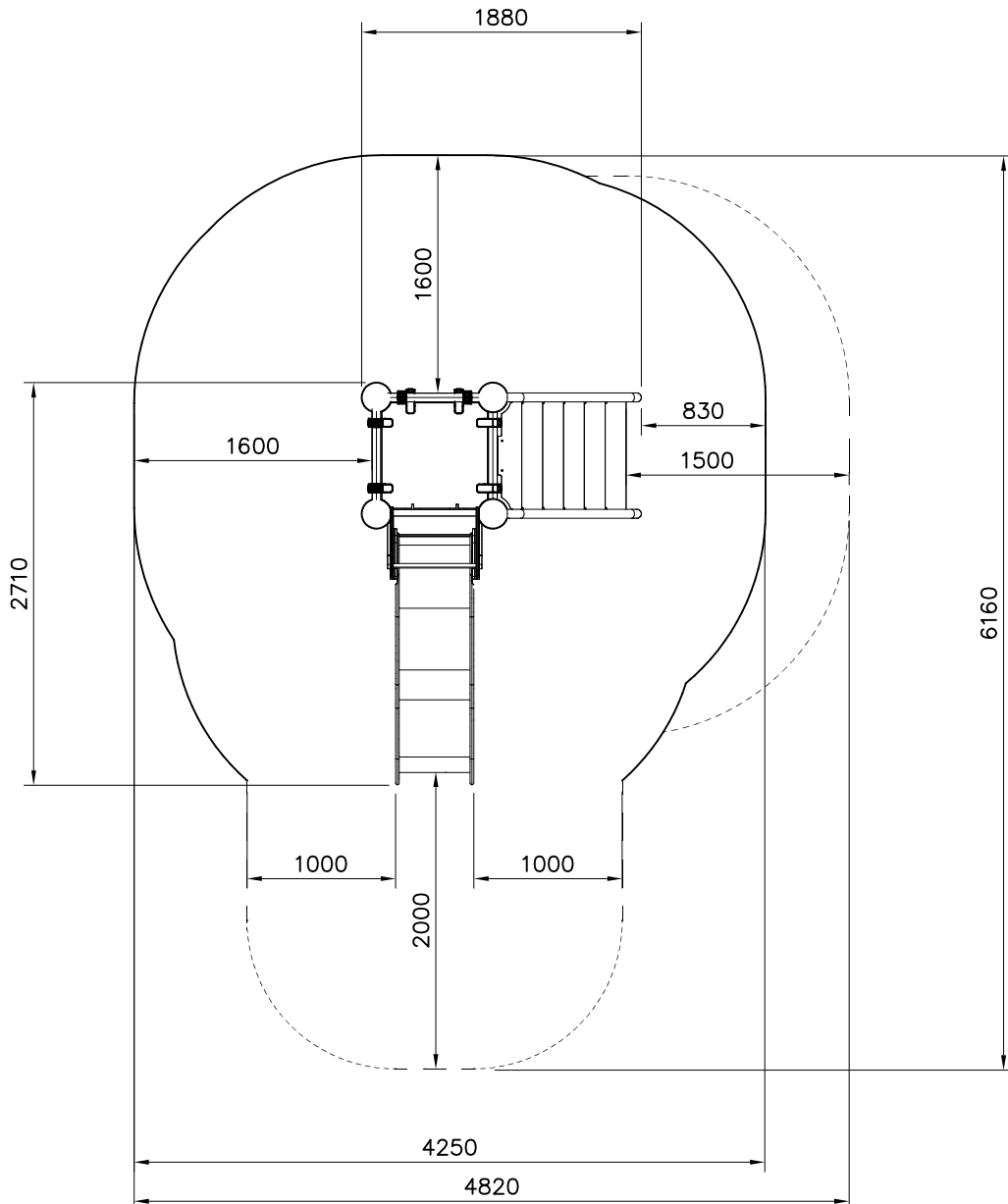
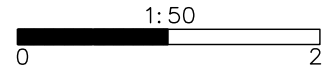


<p>702341</p>  <p>90x50</p>	<p>PCS</p> <p>1</p>	<p>704179</p>  <p>10x80x745</p>	<p>PCS</p> <p>1</p>	<p>704328</p>  <p>10x80x745</p>	<p>PCS</p> <p>1</p>	<p>704381</p>  <p>10x80x745</p>	<p>PCS</p> <p>1</p>	<p>704432</p>  <p>10x80x745</p>	<p>PCS</p> <p>1</p>	<p>707133</p>  <p>10x80x745</p>	<p>PCS</p> <p>1</p>
<p>708858</p>  <p>10x80x745</p>	<p>PCS</p> <p>1</p>	<p>709045</p>  <p>10x80x745</p>	<p>PCS</p> <p>1</p>	<p>901868</p>  <p>Ø34x598</p>	<p>PCS</p> <p>2</p>	<p>902022</p>  <p>L 710</p>	<p>PCS</p> <p>4</p>	<p>902134</p>  <p>10x80x745</p>	<p>PCS</p> <p>8</p>	<p>902157</p>  <p>60x60x2</p>	<p>PCS</p> <p>22</p>
<p>904505</p>  <p>L 2137</p>	<p>PCS</p> <p>4</p>	<p>909519</p>  <p>380x380</p>	<p>PCS</p> <p>4</p>	<p>909637</p>  <p>M10</p>	<p>PCS</p> <p>16</p>	<p>909638</p>  <p>Ø20/10.5</p>	<p>PCS</p> <p>32</p>	<p>909639</p>  <p>M10x25</p>	<p>PCS</p> <p>16</p>	<p>909708</p>  <p>+870</p>	<p>PCS</p> <p>1</p>
	PCS		PCS		PCS		PCS		PCS		PCS
	PCS		PCS		PCS		PCS		PCS		PCS
	PCS		PCS		PCS		PCS		PCS		PCS
	PCS		PCS		PCS		PCS		PCS		PCS

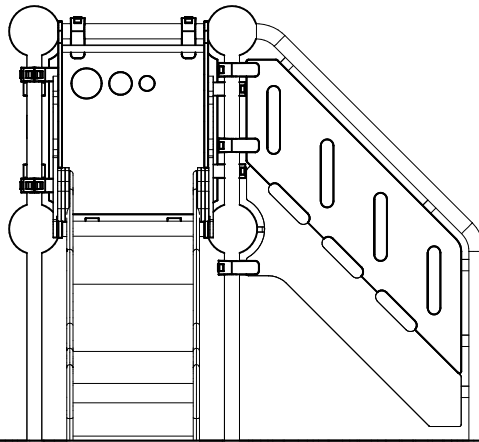


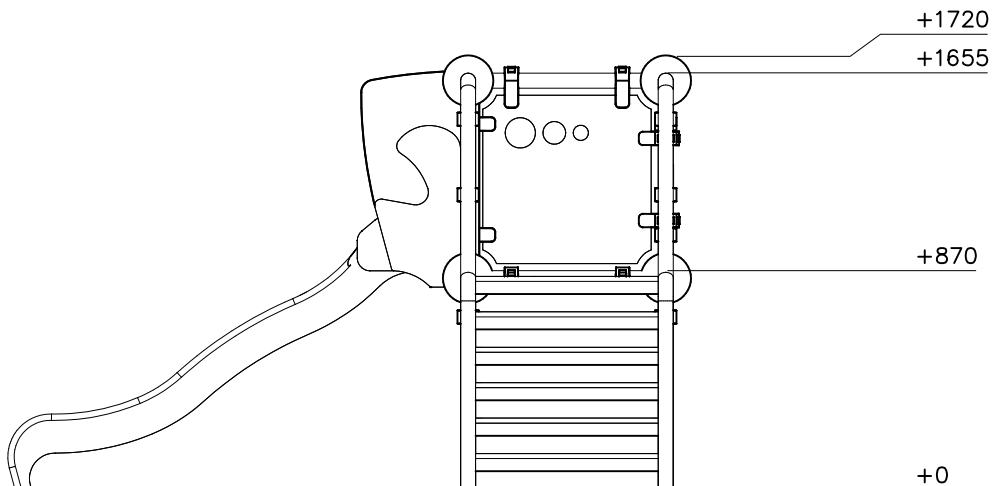
- EN/AS Impact Area 20 m²
- - - Falling Space 22 m²
- Max Falling Height 1000 mm

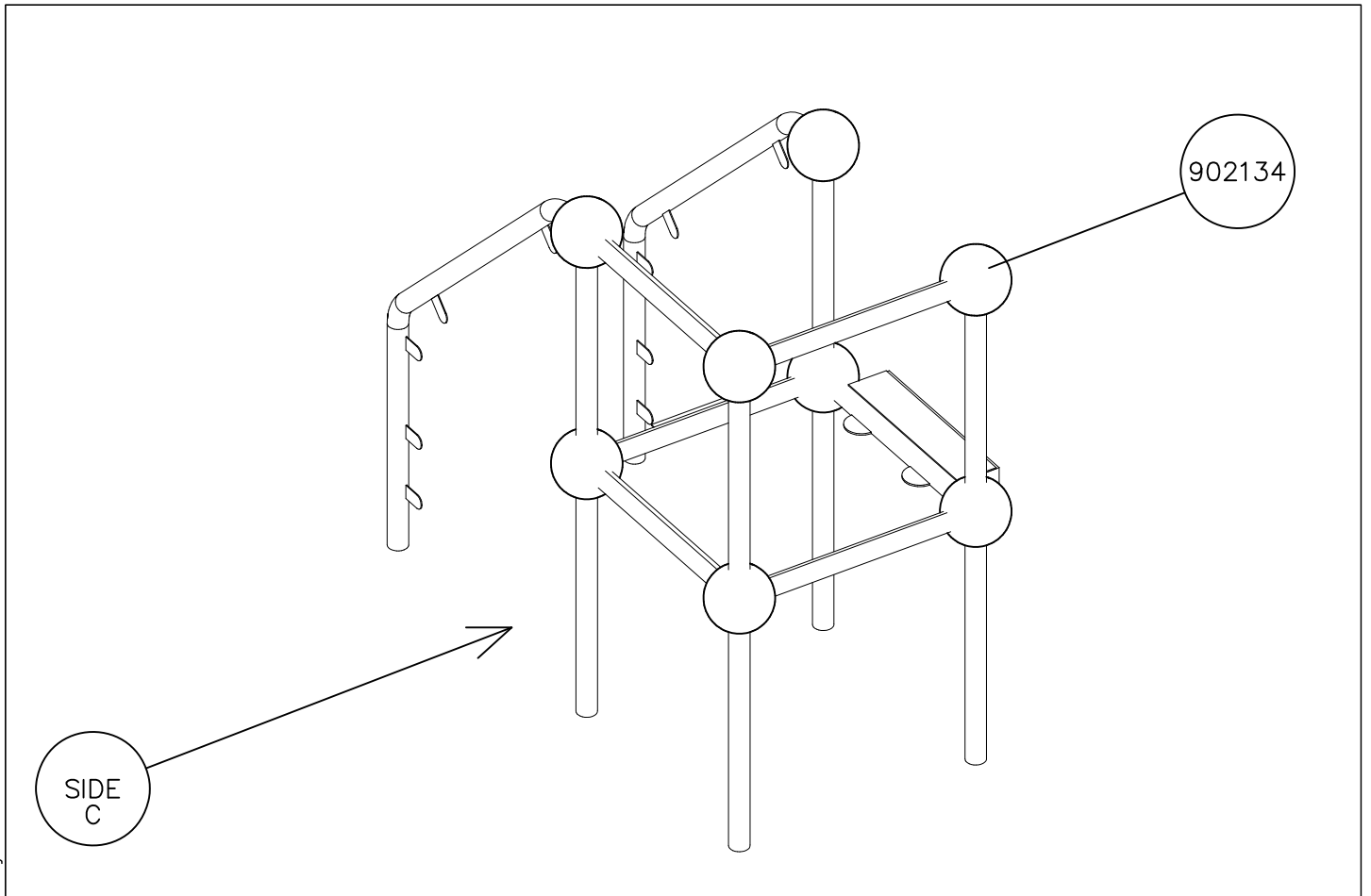
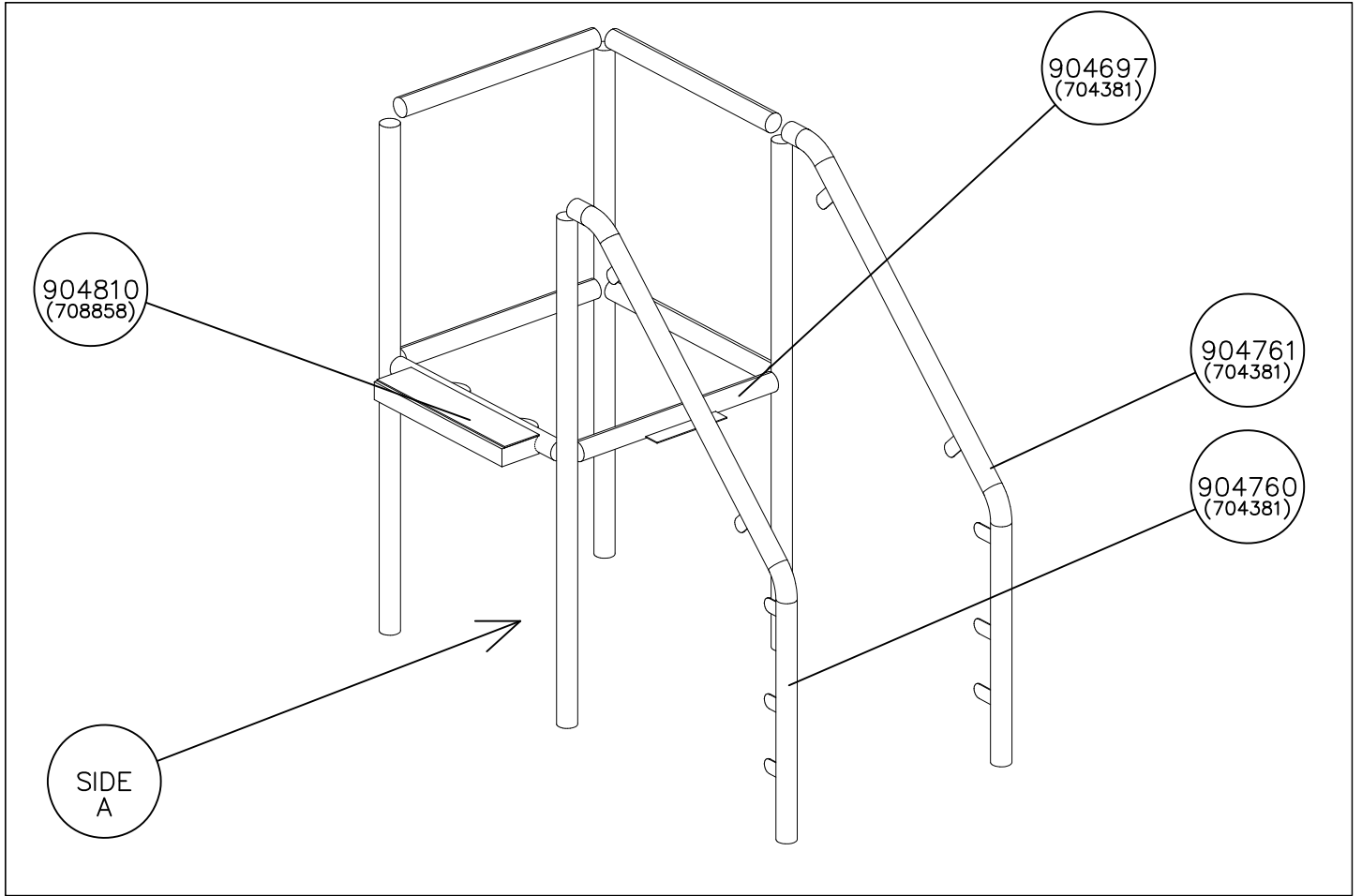


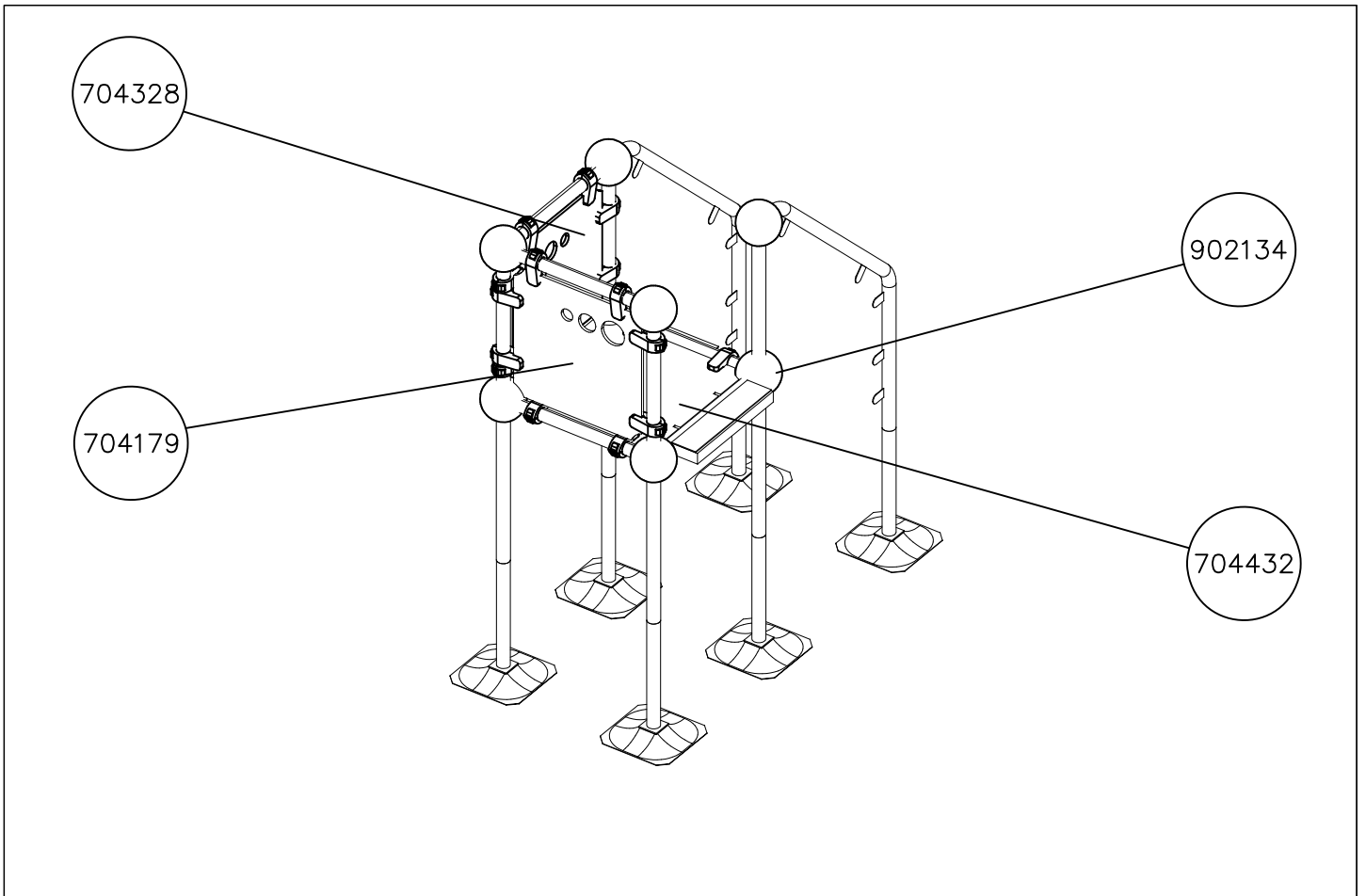
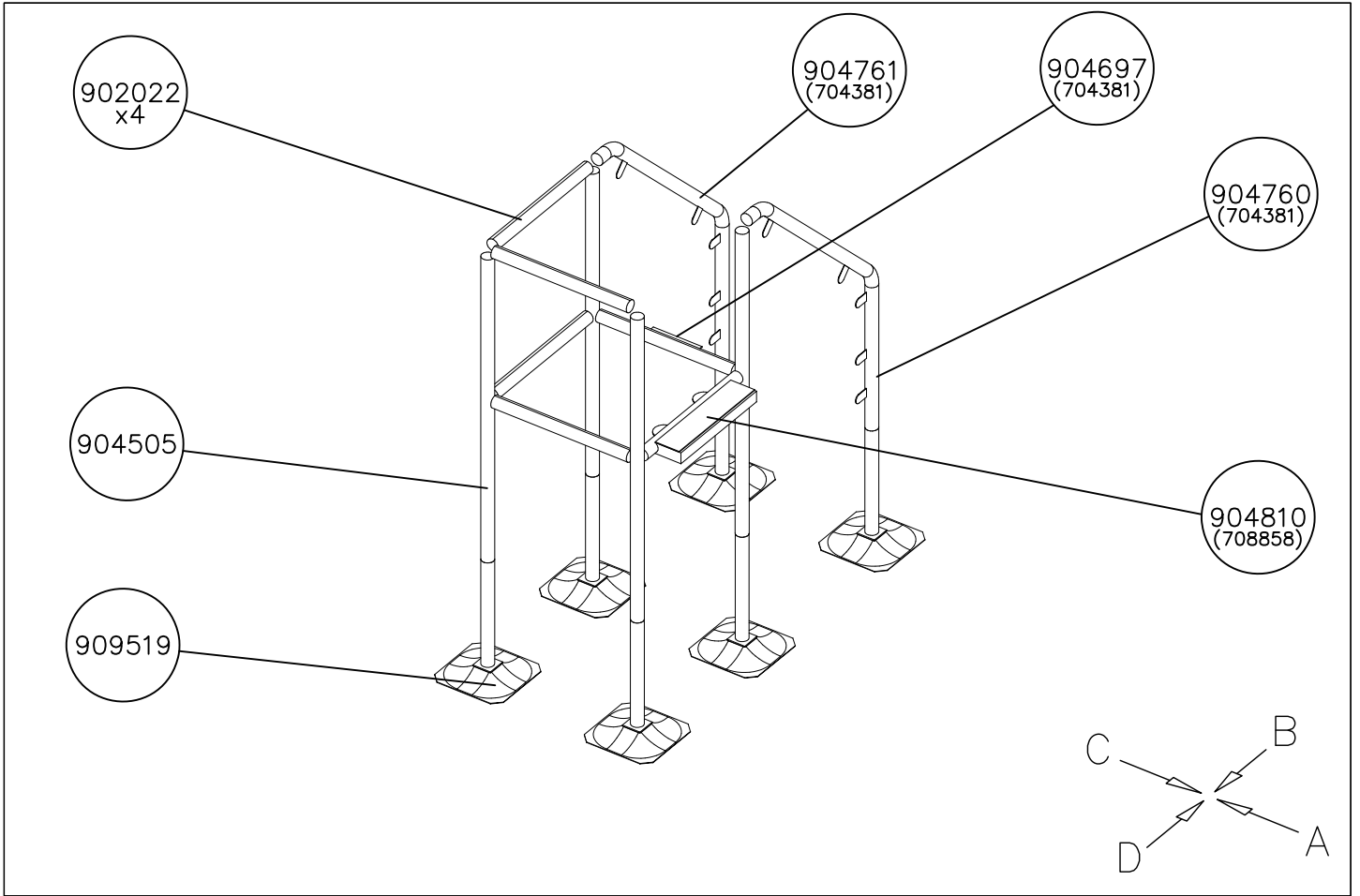
1:30



1:30



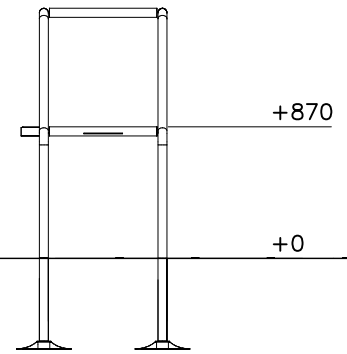
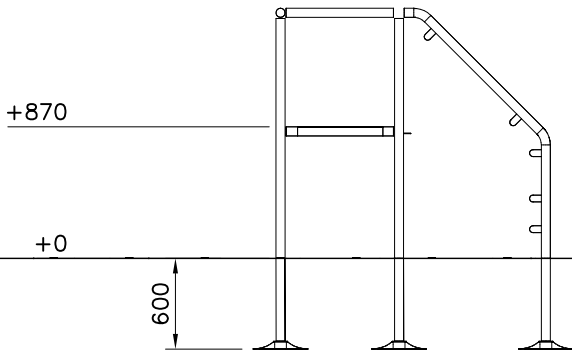




1:50

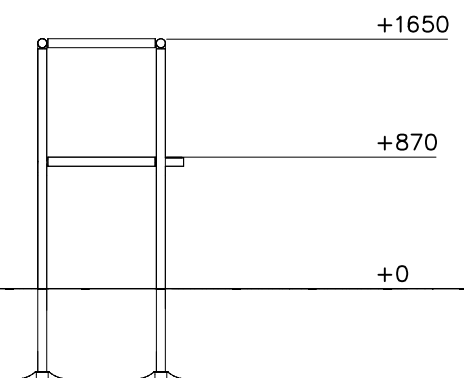
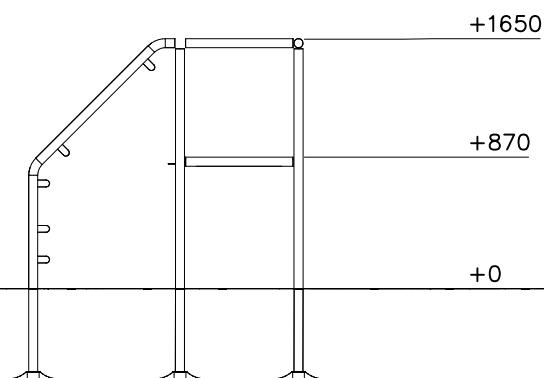
(A)

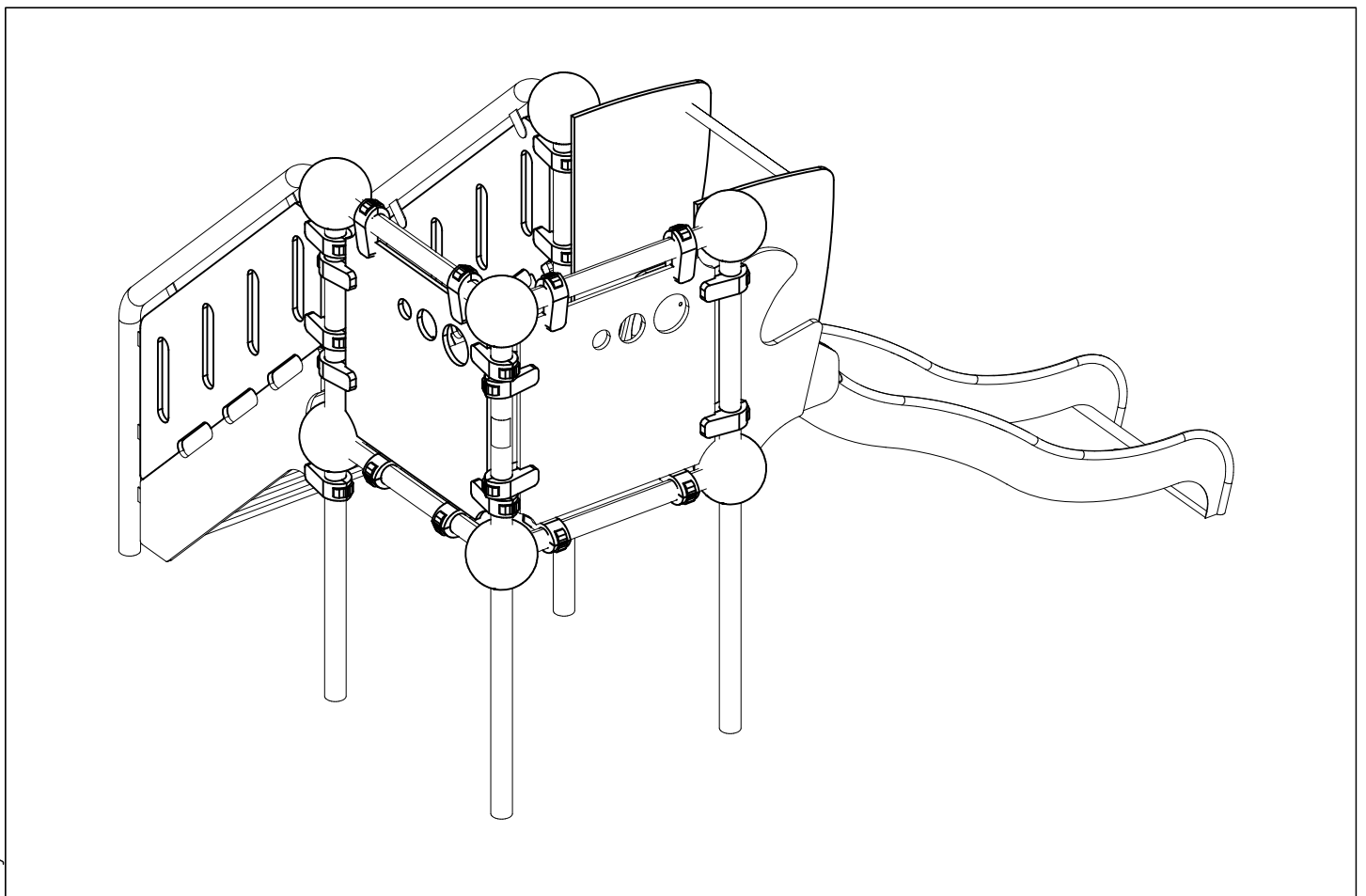
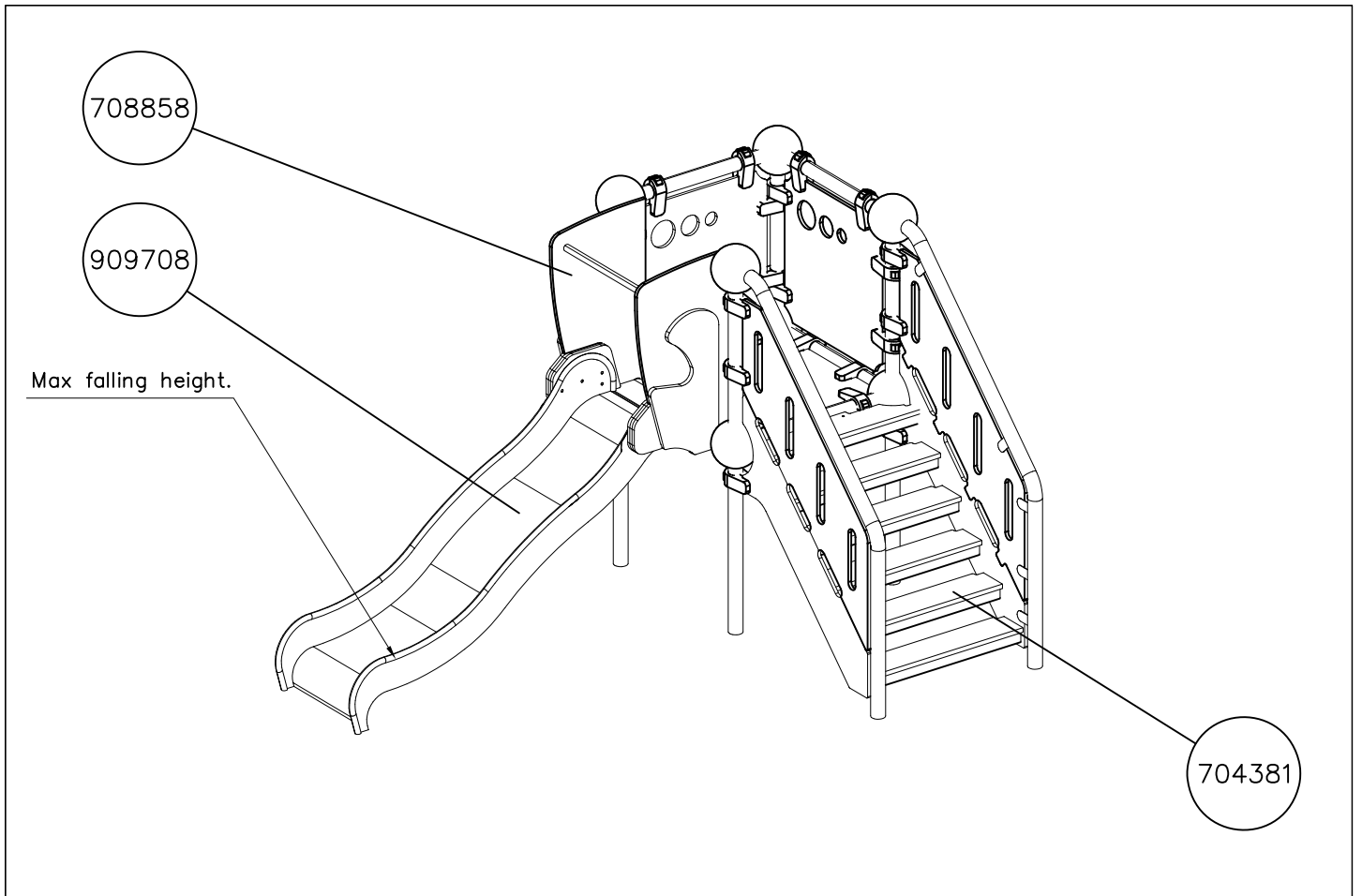
(B)

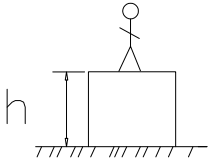



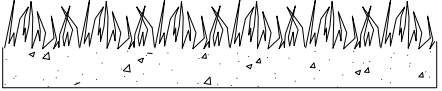
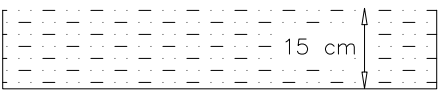
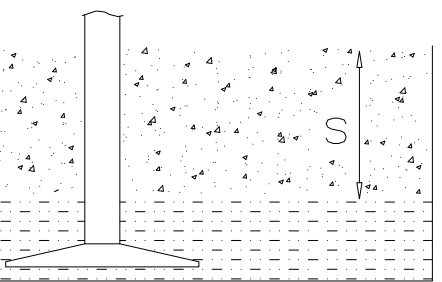
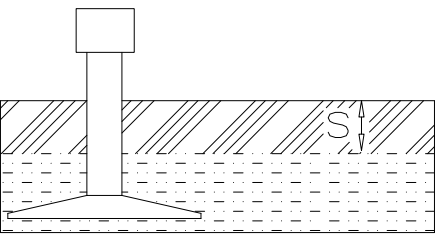


(C)

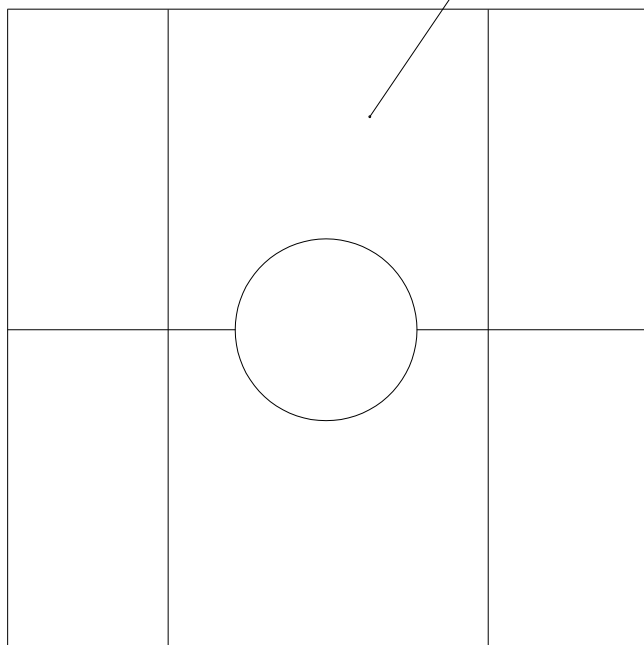
(D)



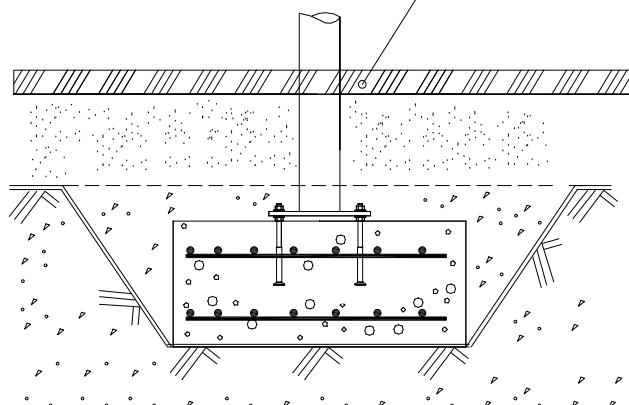


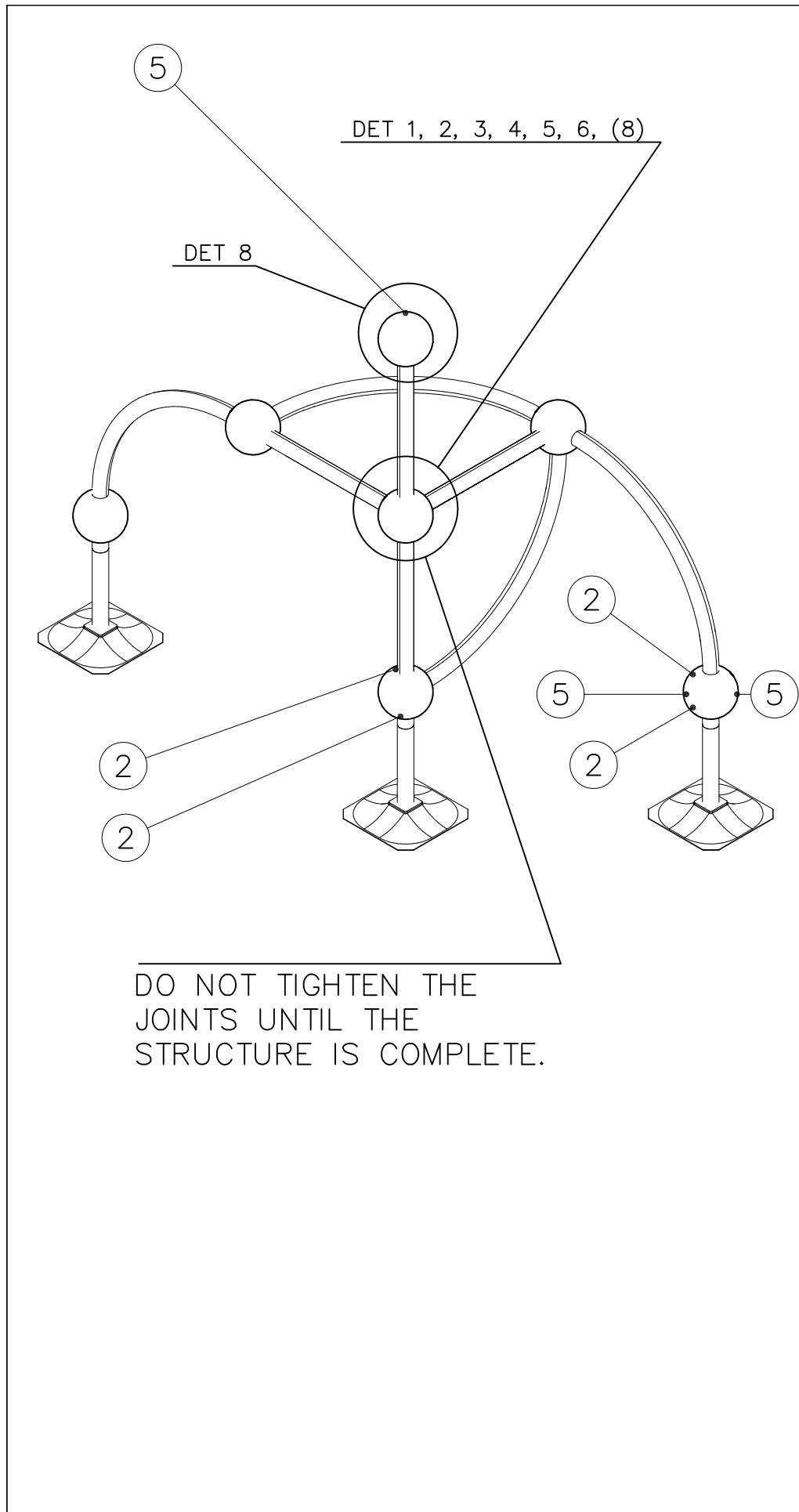
												
<p>$h < 600$</p> <p>Without movement and therefore without Impact Area</p>	<p>Totally hard surfaces.</p> <p>Note. Lappset does <u>not recommend</u> totally hard surfaces at all.</p>	<p>E.g. concrete or asphalt</p> 										
<p>$h < 600$</p> <p>With movement e.g. rocking</p>	<p>Materials with very limited impact attenuating properties.</p>	<p>E.g. wood</p> 										
<p>$h < 1000$</p>	<p>Materials with significant impact attenuating properties.</p>	<p>fine gravel 0–8 mm</p>  <p>grass</p>  <p>unsorted sand</p> 										
<p>$h < 3000$</p>	<p>Loose fill material</p> <p>E.g. sand/gravel 0,25...8 mm D60/D10<3,0 Woodchips 5...30 mm bark 20...80 mm</p>	 <table data-bbox="1024 1691 1332 1780"> <tr> <td>\underline{S}</td> <td>\underline{h}</td> </tr> <tr> <td>30 cm</td> <td>< 2,0 m</td> </tr> <tr> <td>40 cm</td> <td>< 3,0 m</td> </tr> </table>	\underline{S}	\underline{h}	30 cm	< 2,0 m	40 cm	< 3,0 m				
\underline{S}	\underline{h}											
30 cm	< 2,0 m											
40 cm	< 3,0 m											
	<p>Syntethic granulates</p> <table data-bbox="406 1892 758 2060"> <tr> <td>\underline{S}</td> <td>\underline{h}</td> </tr> <tr> <td>40 mm</td> <td>~> 1,2...1,3 m</td> </tr> <tr> <td>50 mm</td> <td>~> 1,5...1,7 m</td> </tr> <tr> <td>60 mm</td> <td>~> 1,8...2,0 m</td> </tr> <tr> <td>70 mm</td> <td>~> 2,1...2,5 m</td> </tr> </table> <p>Note. For accurate values, see manufacturer's instructions.</p>	\underline{S}	\underline{h}	40 mm	~> 1,2...1,3 m	50 mm	~> 1,5...1,7 m	60 mm	~> 1,8...2,0 m	70 mm	~> 2,1...2,5 m	
\underline{S}	\underline{h}											
40 mm	~> 1,2...1,3 m											
50 mm	~> 1,5...1,7 m											
60 mm	~> 1,8...2,0 m											
70 mm	~> 2,1...2,5 m											

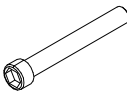
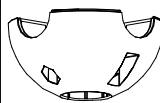
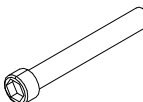

REMOVE SAFETY SURFACE/SAND/GRAVEL
TO CHECK FOUNDATION

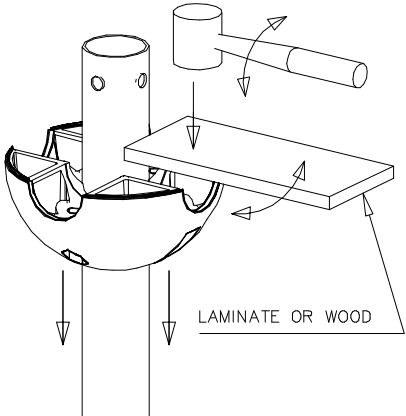
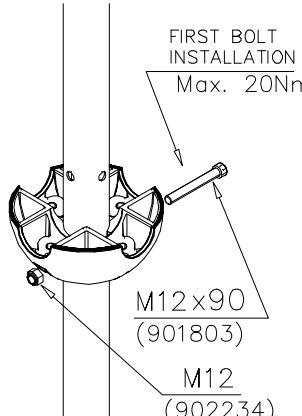
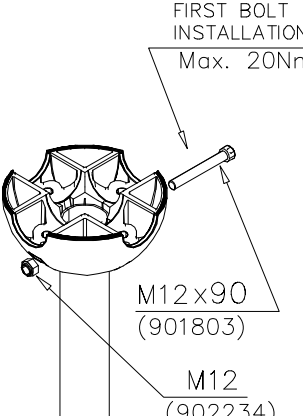
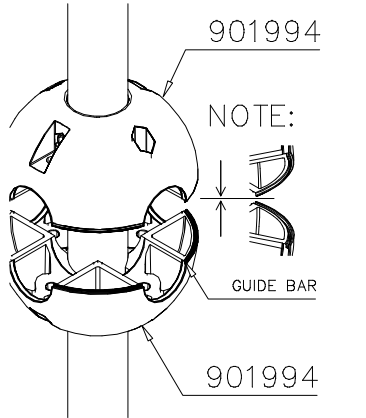
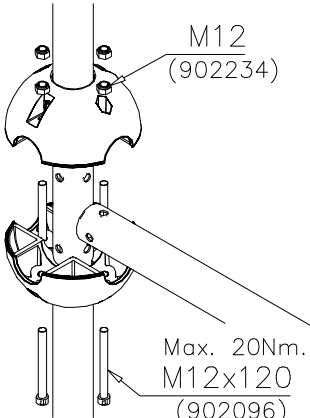
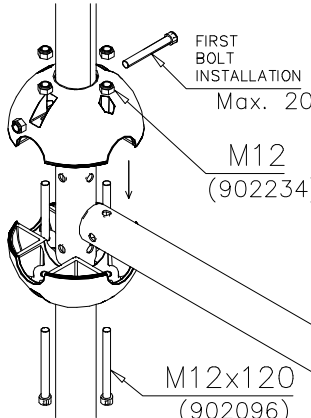
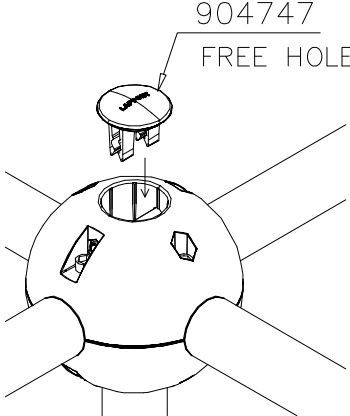



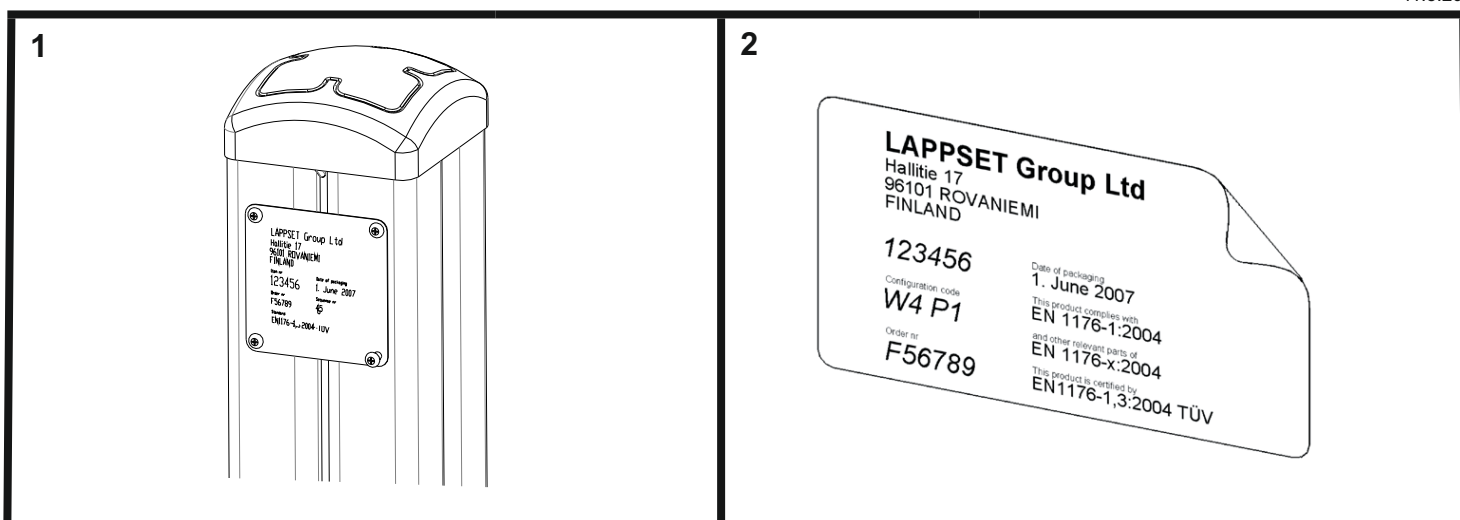
REMOVE SAFETY SURFACE/SAND/GRAVEL
TO CHECK FOUNDATION





①	901803	PCS	②	901994	PCS
		2			2
	M12x90		Ø190		
③	902096	PCS	④	902234	PCS
		4			6
	M12x120		M12		
		PCS			PCS
		PCS			PCS
		PCS			PCS
		PCS			PCS
		PCS			PCS

<p>DET 1</p> 	<p>DET 2</p> 	<p>DET 3</p> 
<p>DET 4</p> 	<p>DET 5</p> 	<p>DET 6</p> 
<p>REMEMBER FINAL TIGHTENING</p>	<p>DET 7</p> 	<p>DET 8</p> 



Tuotekyltti tulee tuotteen mukana yhdellä seuraavista tavoista:

1) Metallinen tuotekyltti ja kiinnitysruuvit

- Kiinnitä tuotekyltti ruuveilla tolppaan noin 2 metrin korkeuteen kuvan 2 mukaisesti.

2) Tuotekylttitarra

- Puhdista maalattu metalli- tai vaneripinta pölystä ja kosteudesta. Liimaa tarra kuvan 3 mukaisesti.
- Huom. Älä kiinnitä tarraa karheapintaiseen laminaattiin tai maalattuun puuhun.

Vår produktmärkning levereras på ett av följande sätt:

1) Produktskylt i metall

- Fäst skylten med de medföljande skruvarna

2) Självhäftande produktetikett

- Rengördenpulverlackerademetallytanellerlaminatytansåttndenblirfrifrånsmutsochfukt.Fästetikettenenligtfig.3.
- Obs! Fäst ej etiketten på detaljer med skrovlig yta eller på målat trä.

Product label is delivered by one of following ways:

1) Metal product label and screws

- Fasten the label with screws.

2) Label sticker

- Cleanthepaintedmetalorplywoodsurfacefromdirtandmoisture.Fastenthestickerasshowninthefigure3.
- Note. Do not attach the sticker to rough surfaced laminate or painted wood.

La plaque d'informations produit est livrée sous l'une de ces 3 formes :

1) Plaque métallique et vis

- Fixez la plaque à l'aide des vis.

2) Etiquette autocollante

- Avant de coller l'étiquette, nettoyez le composant métallique peint ou la plaque de contreplaqué, de toute saleté. La surface doit être sèche (voir image 3).
- Attention, ne pas coller l'étiquette sur une surface lamellé-collée irrégulière ou sur du bois peint.

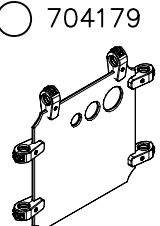
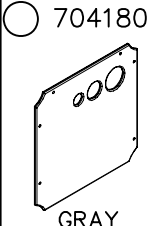
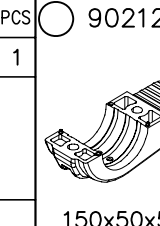
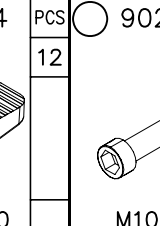
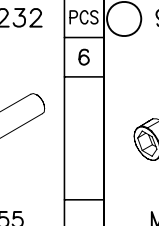
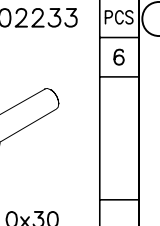
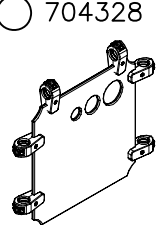
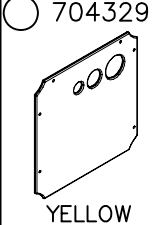
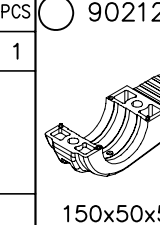
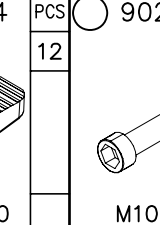
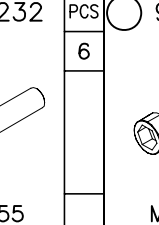
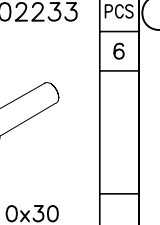
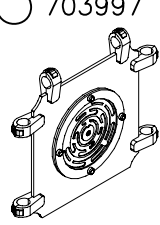
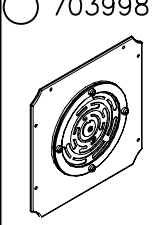
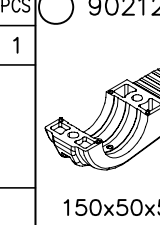
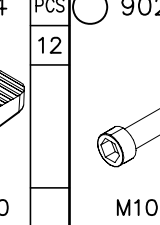
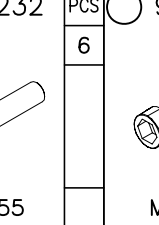
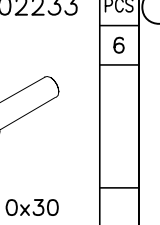
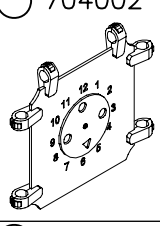
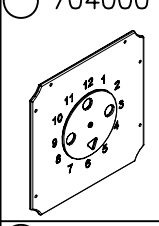
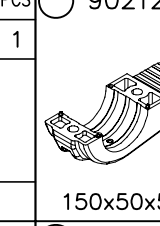
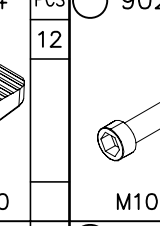
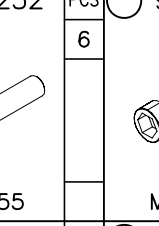
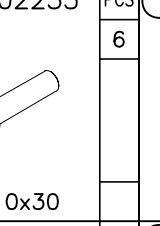
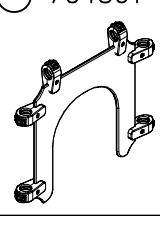
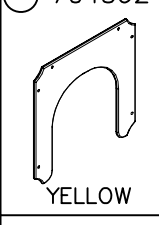
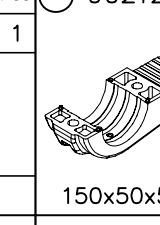
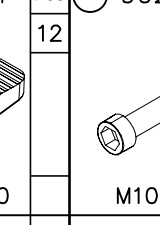
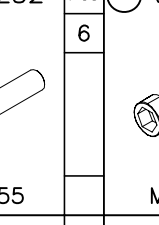
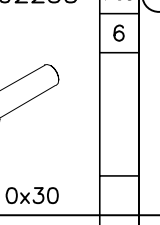
Die Auslieferung des Produktaufklebers erfolgt auf eine dieser Arten:

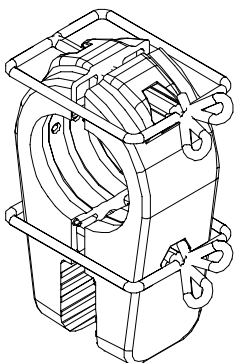
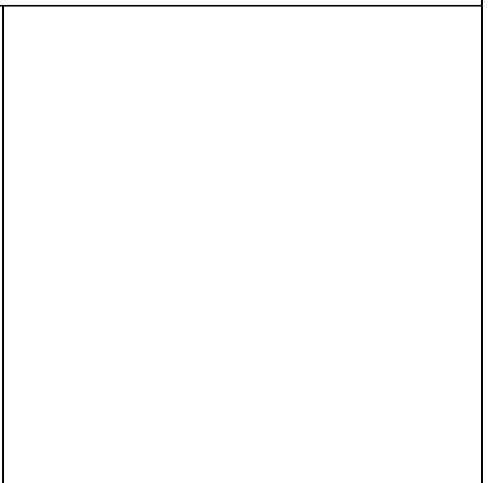
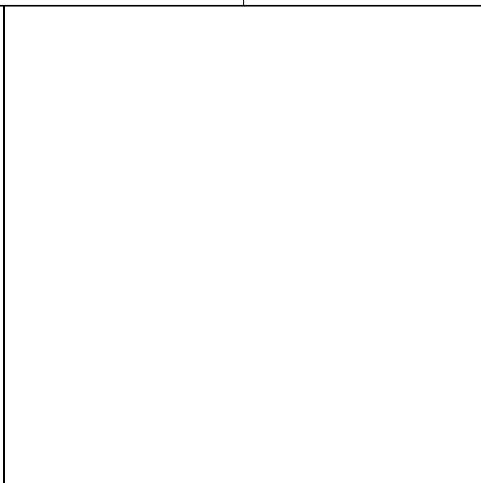
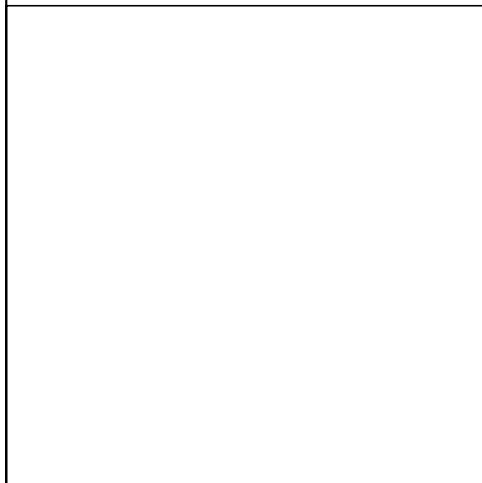
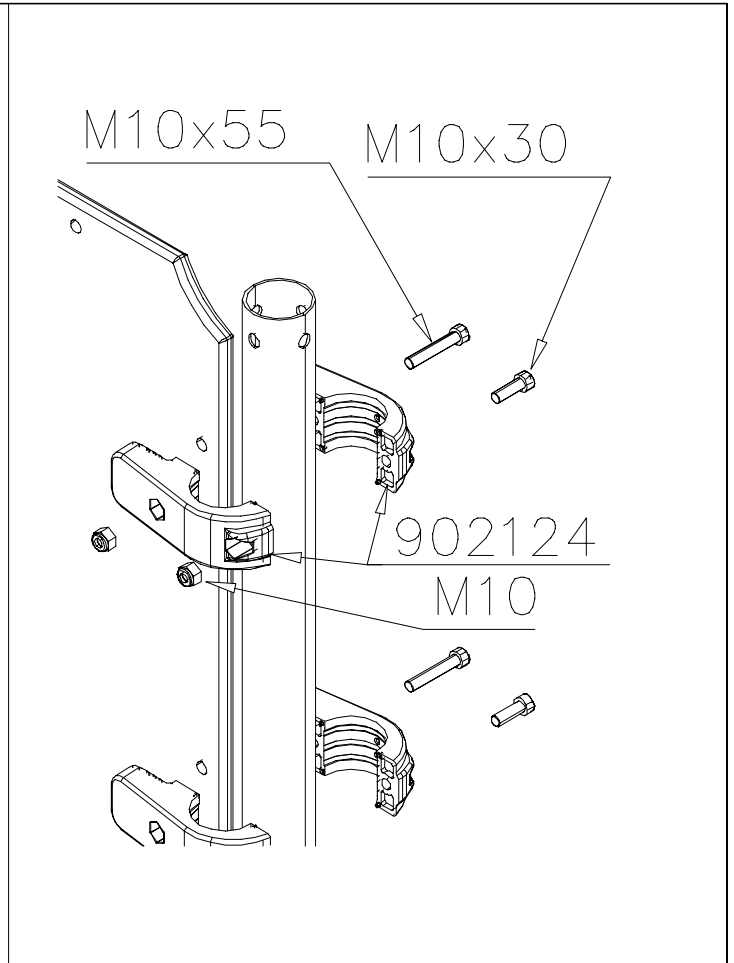
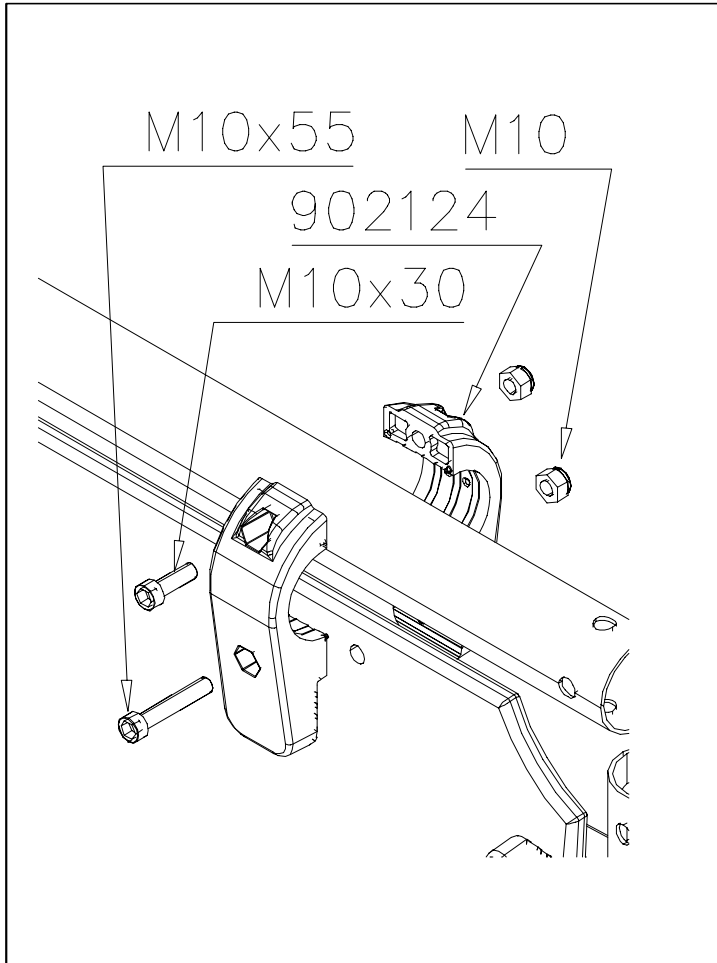
1) Produkt-Schild aus Metall incl. Schrauben

- Die Befestigung des Schildes erfolgt mittels der Schrauben.

2) Aufkleber

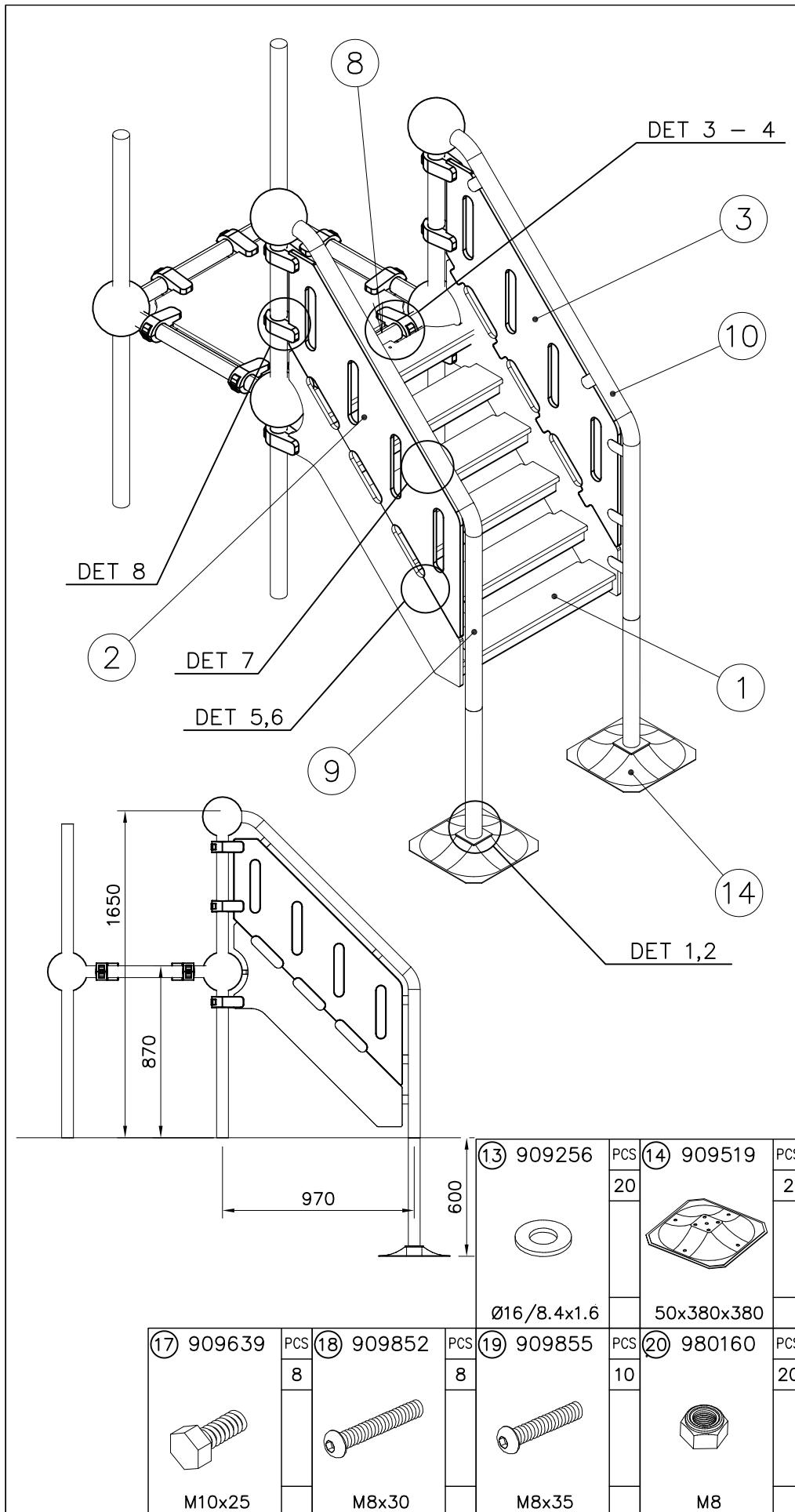
- EntfernenSiezunächstSchmutzundFeuchtigkeitvomlackiertenMetallbzw.vonderHolzoberflächeundbringenSiedenAufkleber wie im Bild oben rechts beschrieben auf den gesäuberten Untergrund auf.
- Beachten Sie: Bringen Sie den Aufkleber nicht auf raues laminiertes oder lackiertes Holz an.

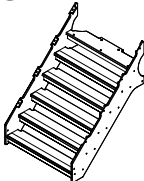
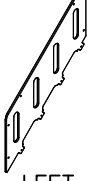
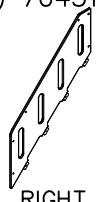
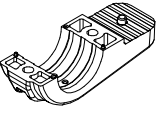
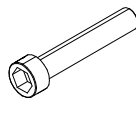
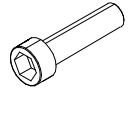
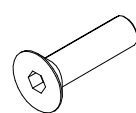
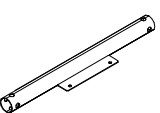
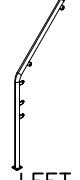
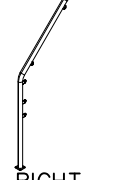
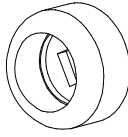
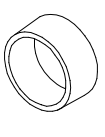
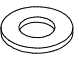
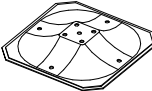
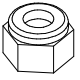
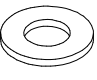
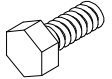
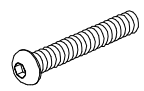
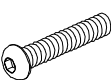
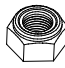

	 GRAY	PCS 1	 150x50x50	PCS 12	 M10x55	PCS 6	 M10x30	PCS 6	 M10	PCS 12		PCS
	 YELLOW	PCS 1	 150x50x50	PCS 12	 M10x55	PCS 6	 M10x30	PCS 6	 M10	PCS 12		PCS
		PCS 1	 150x50x50	PCS 12	 M10x55	PCS 6	 M10x30	PCS 6	 M10	PCS 12		PCS
		PCS 1	 150x50x50	PCS 12	 M10x55	PCS 6	 M10x30	PCS 6	 M10	PCS 12		PCS
	 YELLOW	PCS 1	 150x50x50	PCS 12	 M10x55	PCS 6	 M10x30	PCS 6	 M10	PCS 12		PCS
		PCS		PCS		PCS		PCS		PCS		PCS
		PCS		PCS		PCS		PCS		PCS		PCS
		PCS		PCS		PCS		PCS		PCS		PCS

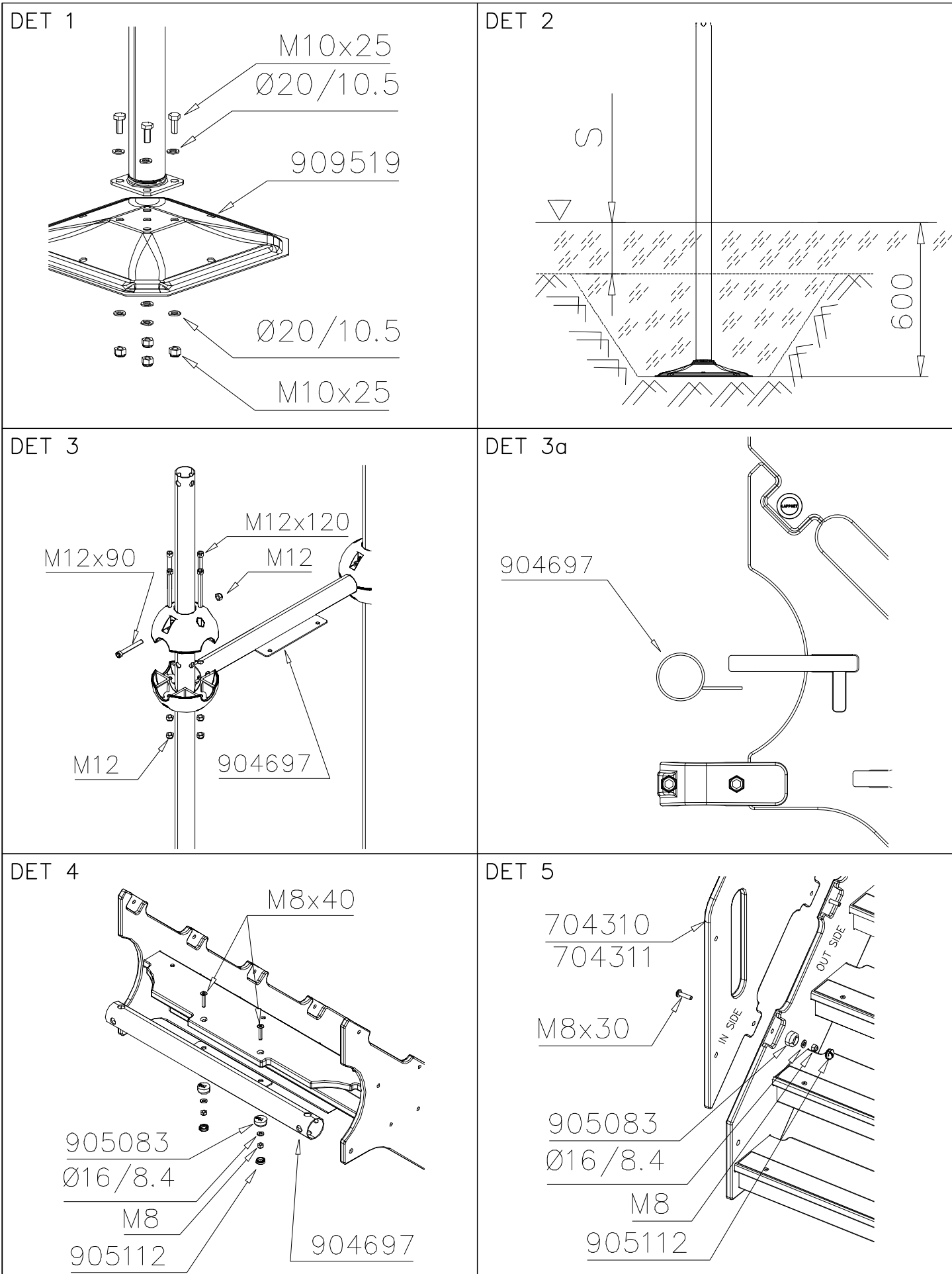


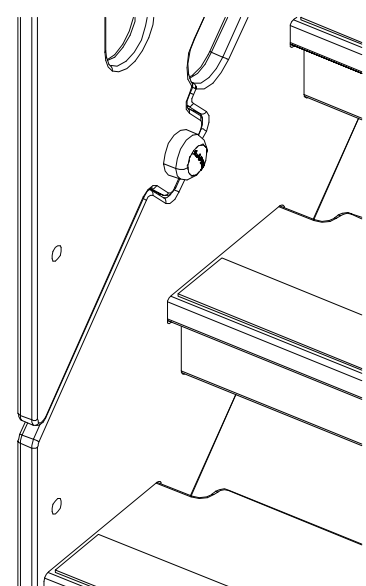
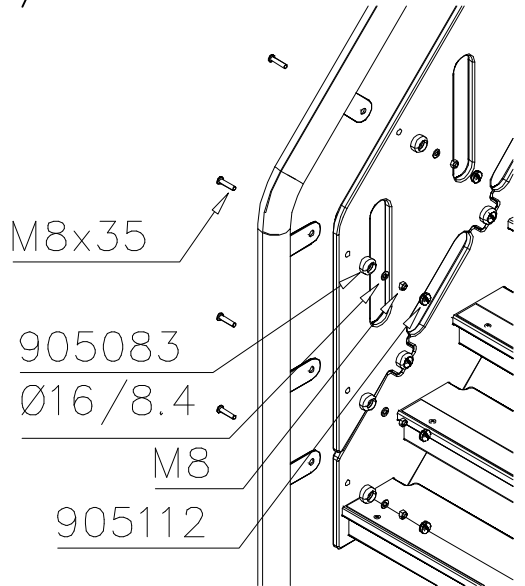
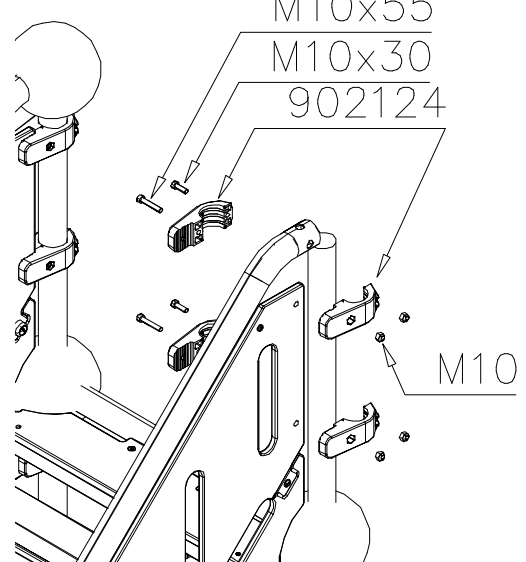
NOTE:
Use a wire marked pairs
of the same junction.

Huom!
Käytä langalla merkittyä
paria samassa liitoksessa.



① 704309	PCS	② 704310	PCS
	1		1
		LEFT	
③ 704311	PCS	④ 902124	PCS
	1		12
RIGHT		150x50x50	
⑤ 902232	PCS	⑥ 902233	PCS
	6		6
M10x55		M10x30	
⑦ 904068	PCS	⑧ 904697	PCS
	2		1
M8x40		Ø60.3x2.9x710	
⑨ 904760	PCS	⑩ 904761	PCS
	1		1
LEFT		RIGHT	
⑪ 905083	PCS	⑫ 905112	PCS
	20		20
Ø32		Ø22	
⑬ 909256	PCS	⑭ 909519	PCS
	20		2
Ø16/8.4x1.6		50x380x380	
⑮ 909637	PCS	⑯ 909638	PCS
	8		16
M10		Ø20/10.5	
⑰ 909639	PCS	⑱ 909852	PCS
	8		8
M10x25		M8x30	
⑲ 909855	PCS	⑳ 980160	PCS
	10		20
M8x35		M8	
㉑ 980161	PCS		PCS
	12		
M10			



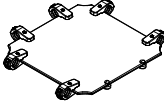
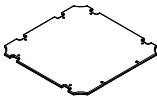
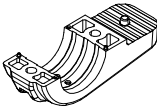
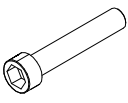
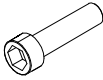
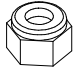
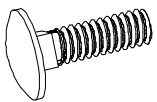
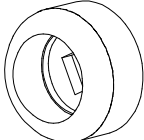
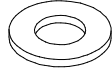
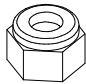
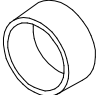
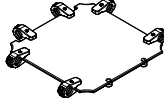
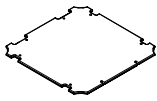
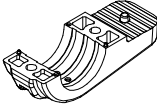
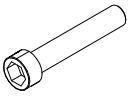
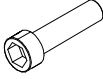
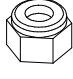
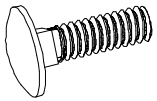
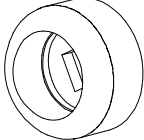

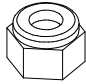
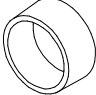
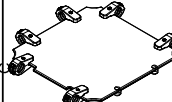
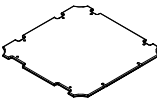
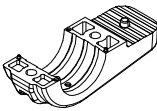
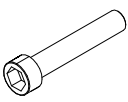
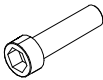
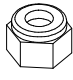
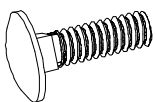
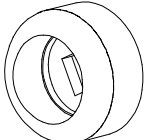
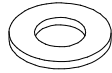
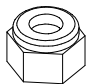
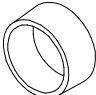
<p>DET 6</p> 	<p>DET 7</p>  <p>M8x35</p> <p>905083</p> <p>Ø16/8.4</p> <p>M8</p> <p>905112</p>
<p>DET 8</p>  <p>M10x55</p> <p>M10x30</p> <p>902124</p> <p>M10</p>	

WINAM GROUP FLOOR (SLIDE)

CLOXX

DATE: 3.10.2013



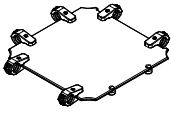
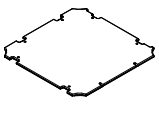
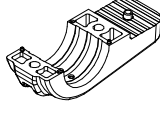
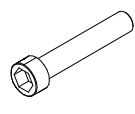
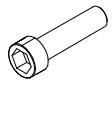
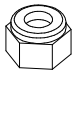
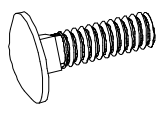
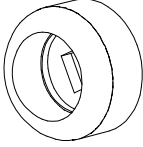

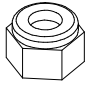
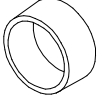
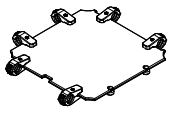
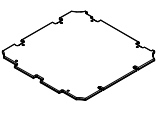
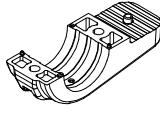
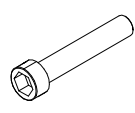
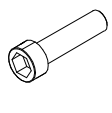
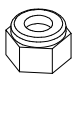
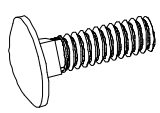
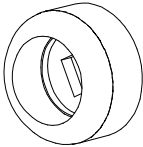

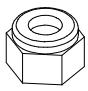
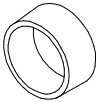
○ 704432 	○ 704038 	PCS 1	○ 902124  150x50x50	PCS 12	○ 902232  M10x55	PCS 6	○ 902233  M10x30	PCS 6	○ 980161  M10	PCS 12		PCS
		PCS	○ 909109  M12x40	PCS 2	○ 905090  Ø45	PCS 2	○ 980154  Ø24/13	PCS 2	○ 909248  M12	PCS 2	○ 905115  Ø32	PCS 2
		PCS		PCS		PCS		PCS		PCS		PCS
○ 704447 	○ 704446 	PCS 1	○ 902124  150x50x50	PCS 12	○ 902232  M10x55	PCS 6	○ 902233  M10x30	PCS 6	○ 980161  M10	PCS 12		PCS
		PCS	○ 909109  M12x40	PCS 2	○ 905090  Ø45	PCS 2	○ 980154  Ø24/13	PCS 2	○ 909248  M12	PCS 2	○ 905115  Ø32	PCS 2
		PCS		PCS		PCS		PCS		PCS		PCS
○ 704666 	○ 704667 	PCS 1	○ 902124  150x50x50	PCS 12	○ 902232  M10x55	PCS 6	○ 902233  M10x30	PCS 6	○ 980161  M10	PCS 12		PCS
		PCS	○ 909109  M12x40	PCS 2	○ 905090  Ø45	PCS 2	○ 980154  Ø24/13	PCS 2	○ 909248  M12	PCS 2	○ 905115  Ø32	PCS 2

WINAM GROUP FLOOR (SLIDE)

CLOXX

DATE: 3.10.2013

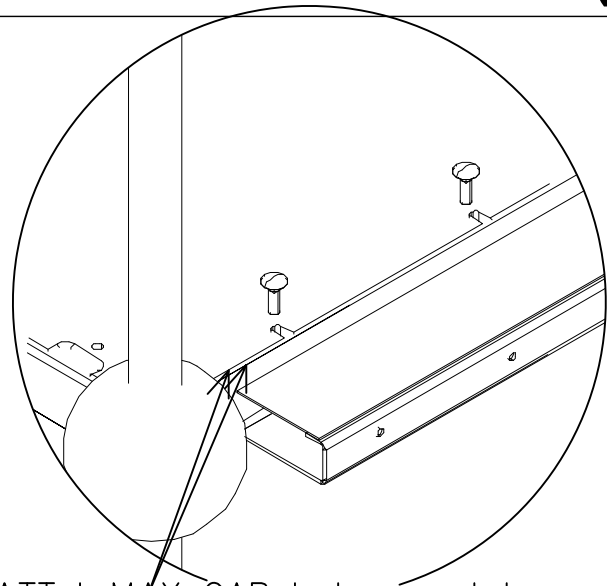
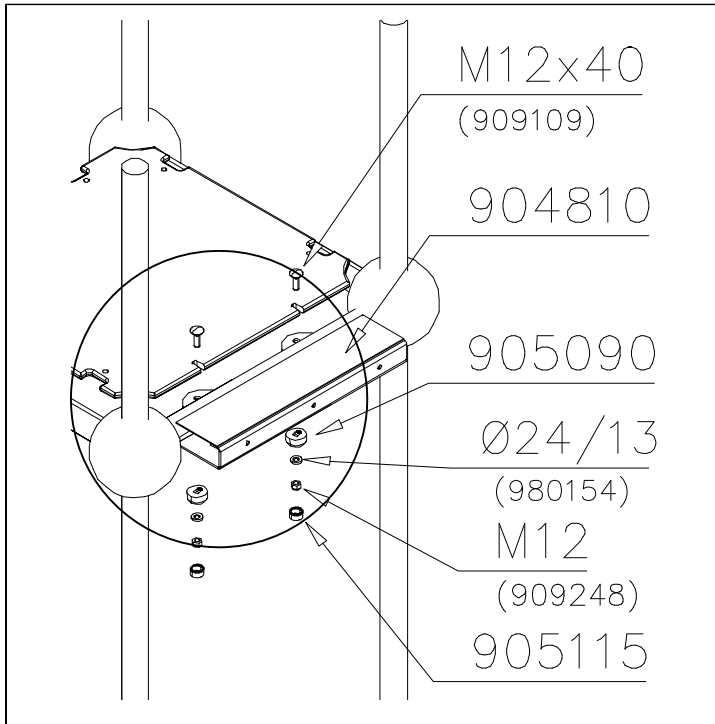


○ 704684 	○ 704685 	PCS 1	○ 902124  150x50x50	PCS 12	○ 902232  M10x55	PCS 6	○ 902233  M10x30	PCS 6	○ 980161  M10	PCS 12		PCS
		PCS	○ 909109  M12x40	PCS 2	○ 905090  Ø45	PCS 2	○ 980154  Ø24/13	PCS 2	○ 909248  M12	PCS 2	○ 905115  Ø32	PCS 2
		PCS		PCS		PCS		PCS		PCS		PCS
○ 704692 	○ 704693 	PCS 1	○ 902124  150x50x50	PCS 12	○ 902232  M10x55	PCS 6	○ 902233  M10x30	PCS 6	○ 980161  M10	PCS 12		PCS
		PCS	○ 909109  M12x40	PCS 2	○ 905090  Ø45	PCS 2	○ 980154  Ø24/13	PCS 2	○ 909248  M12	PCS 2	○ 905115  Ø32	PCS 2
		PCS		PCS		PCS		PCS		PCS		PCS
		PCS		PCS		PCS		PCS		PCS		PCS
		PCS		PCS		PCS		PCS		PCS		PCS

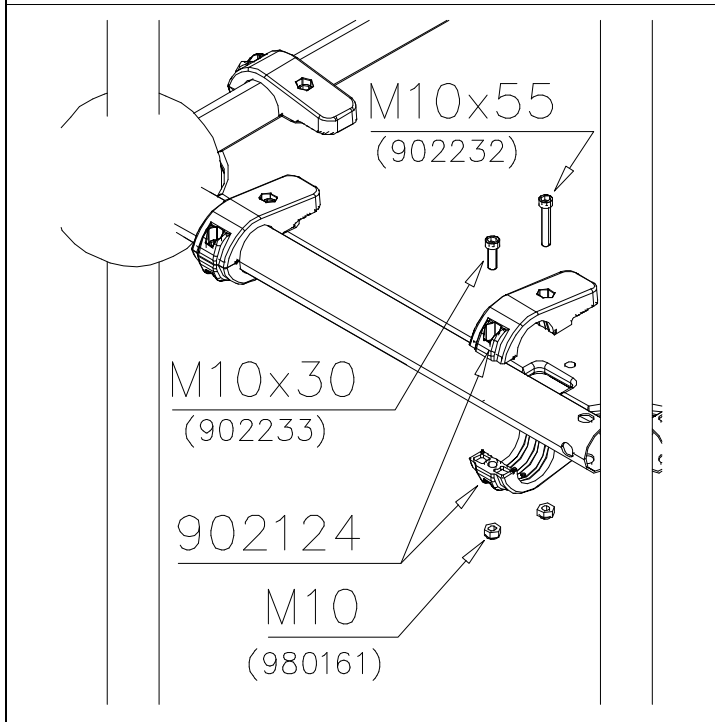
WINAM GROUP FLOOR (SLIDE)

CLOXX

DATE: 3.10.2013

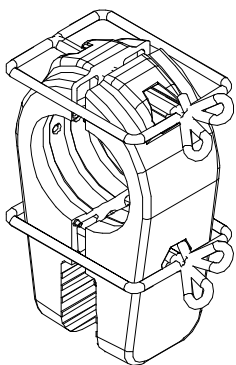
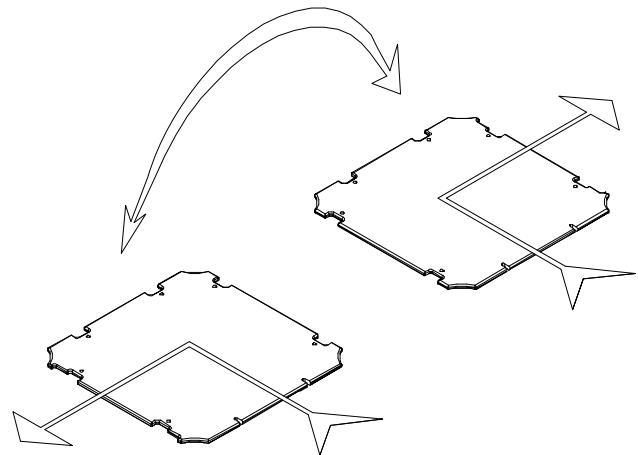


ATT ! MAX GAP between plate and tube is 6mm
HUOM ! MAKSIMI VÄLI lattialevyllä ja putkella on 6mm



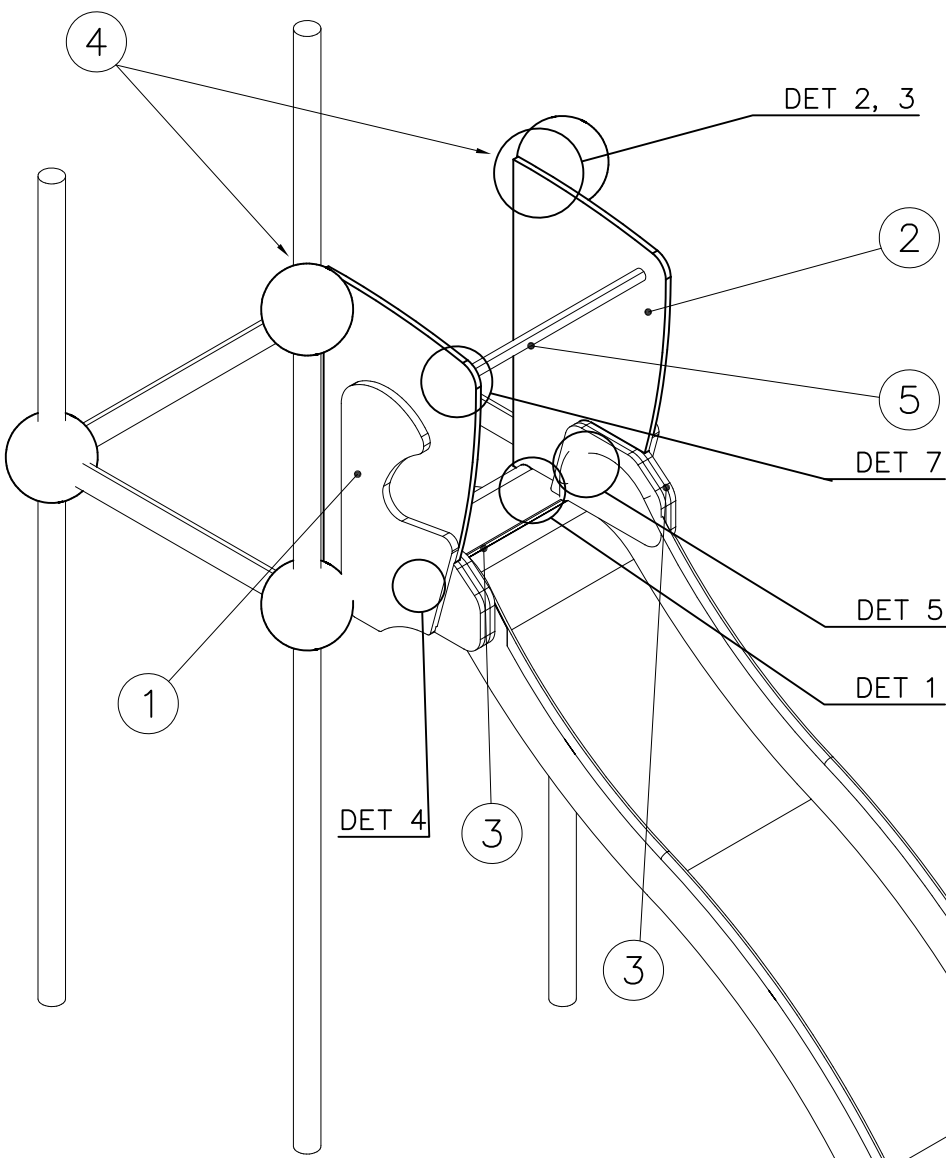
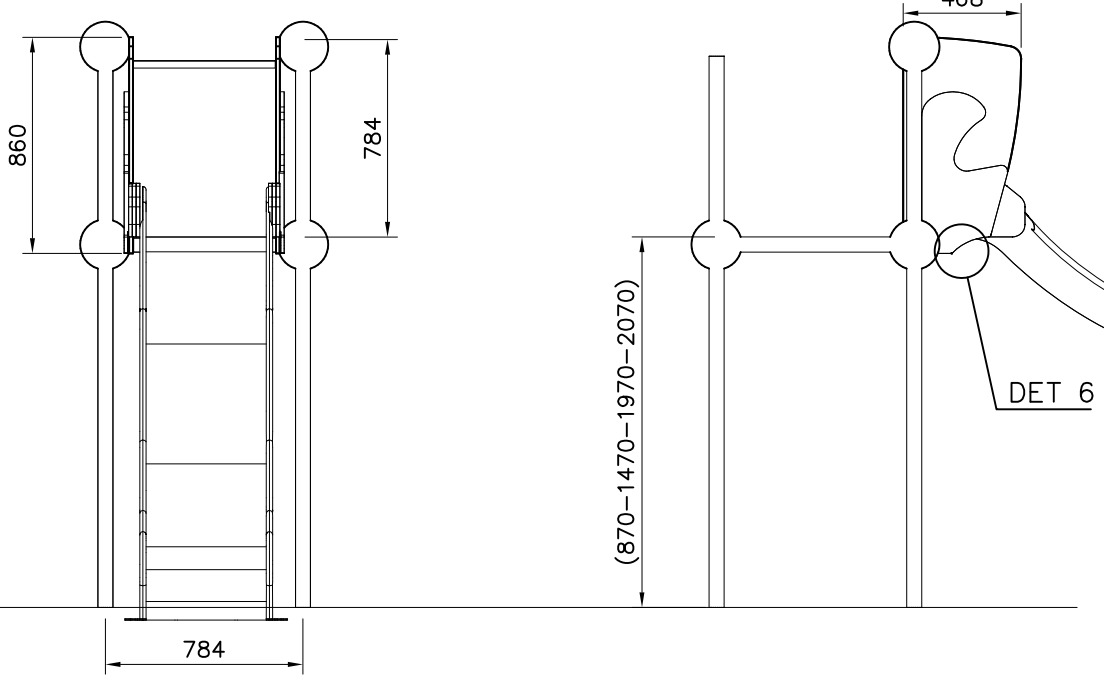
KÄYTÄ TARVITTAESSA SAMAA LEVYÄ VASEMALLE TAI OIKEALLE.

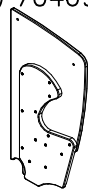
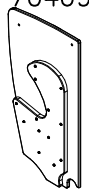
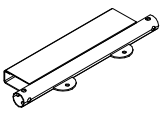
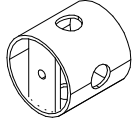
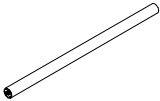
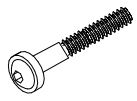
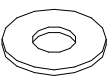
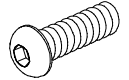

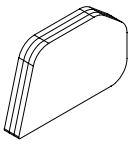

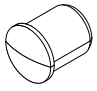
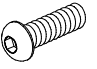
IF NECESSARY USE SAME PLATE LEFT OR RIGHT.

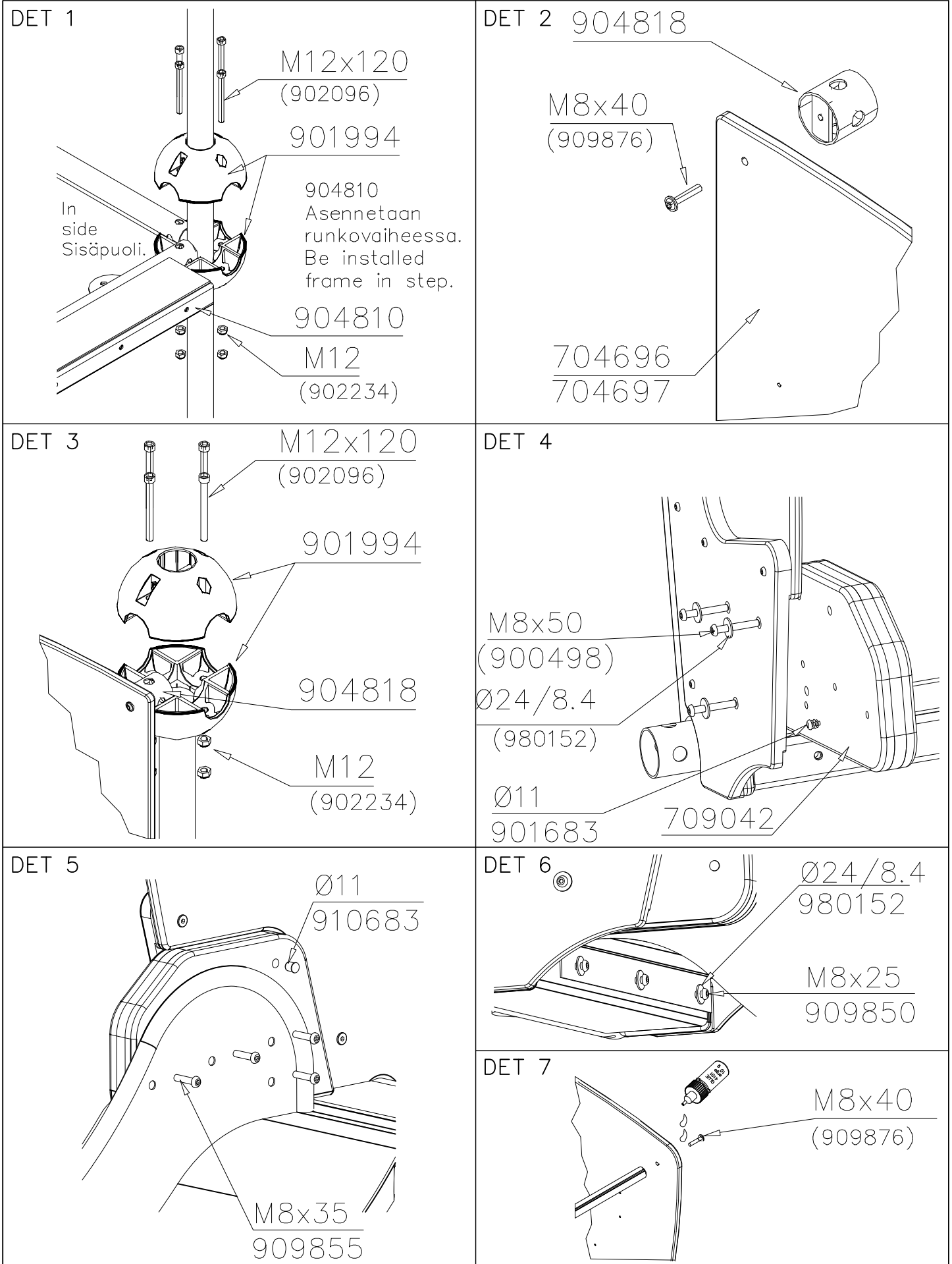


NOTE:
Use a wire marked pairs of the same junction.

Huom!
Käytä langalla merkittyä paria samassa liitoksessa.

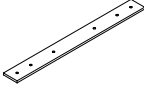
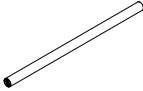





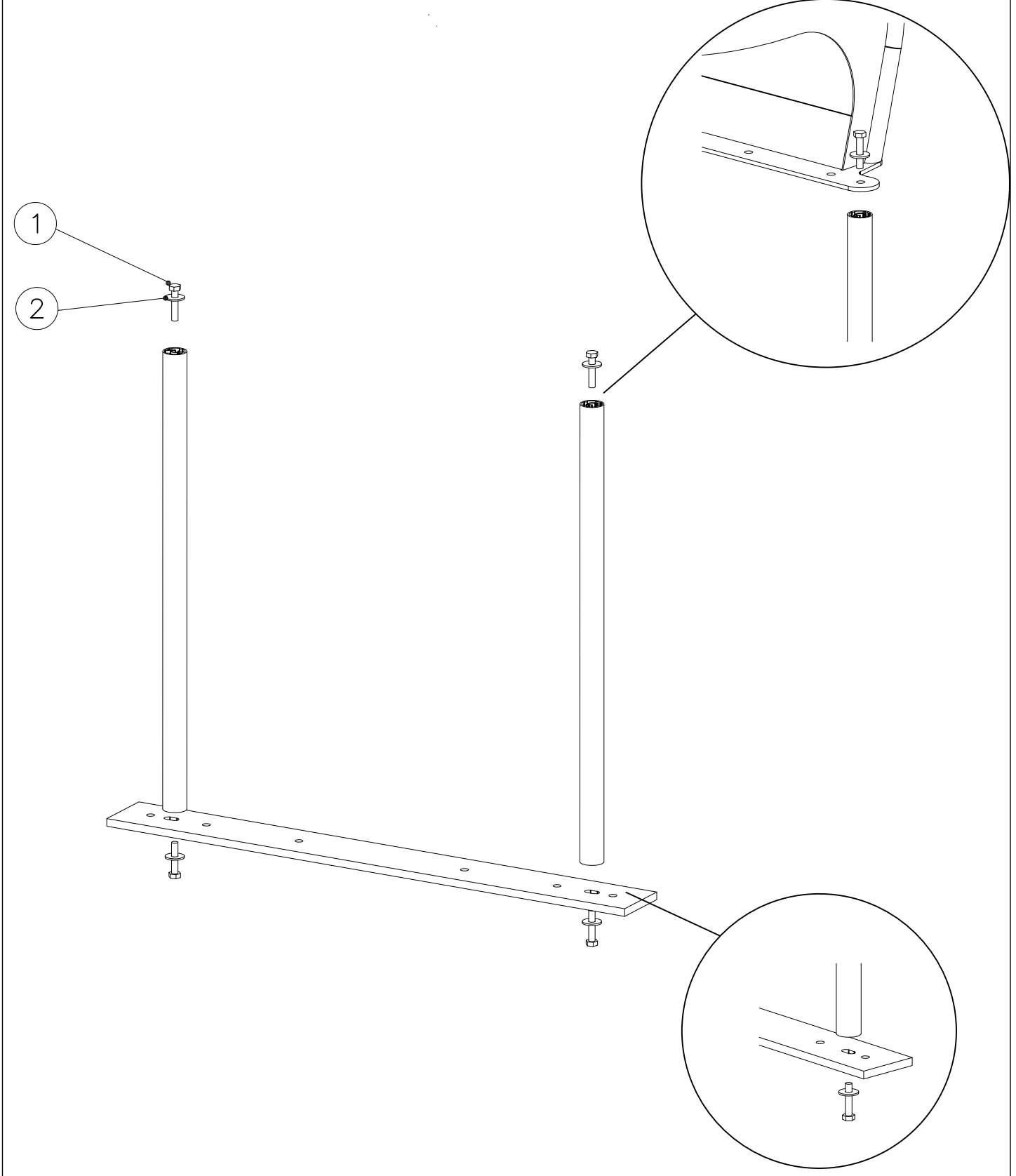
① 704696	PCS	② 704697	PCS
	1		1
③ 904810	PCS	④ 904818	PCS
	1		2
⑤ 904833	PCS	⑥ 909876	PCS
	1		4
Ø30x565		M8x40	
⑦ 980152	PCS	⑧ 900498	PCS
	9		6
Ø24/8.4		M8x50	
⑨ 999561	PCS	⑩ 709042	PCS
	1		2
10 g			
		⑪ 909855	PCS
			8
		M8x35	
		⑫ 910683	PCS
			4
		Ø11	
		⑬ 909850	PCS
			3
		M8x25	



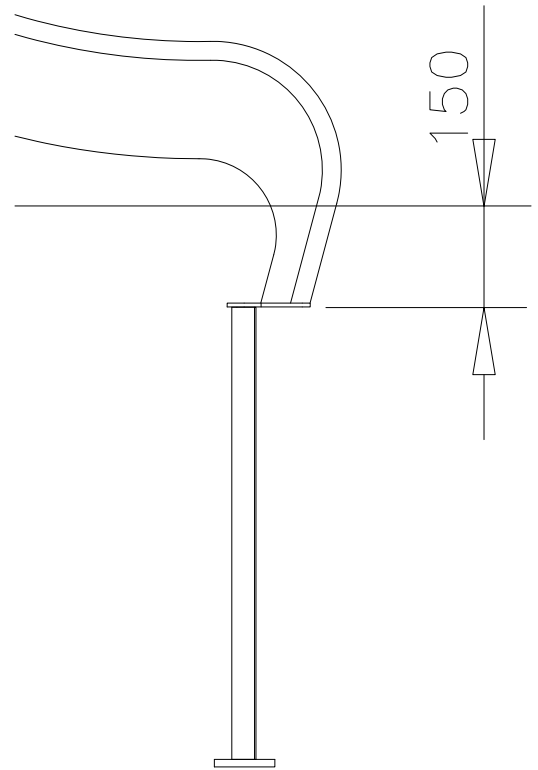
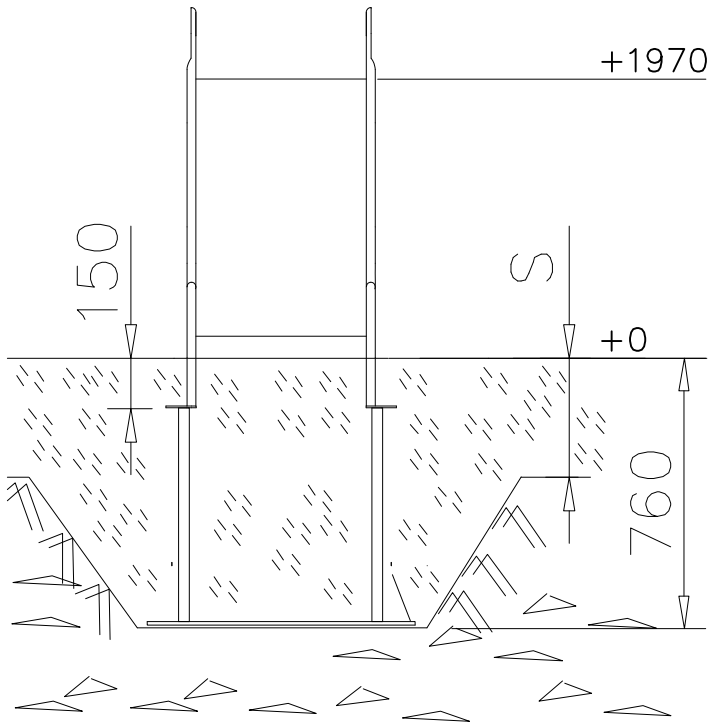
DEEP FOUNDATION

DATE: 11.2.2019

○ 707133	PCS	○ 901868	PCS	① 909210	PCS	② 905051	PCS
	1		2		4		4
							
10x80x745		Ø30x598		M8x40		Ø24/8.4	



Floor level +1970



Floor level +2070

