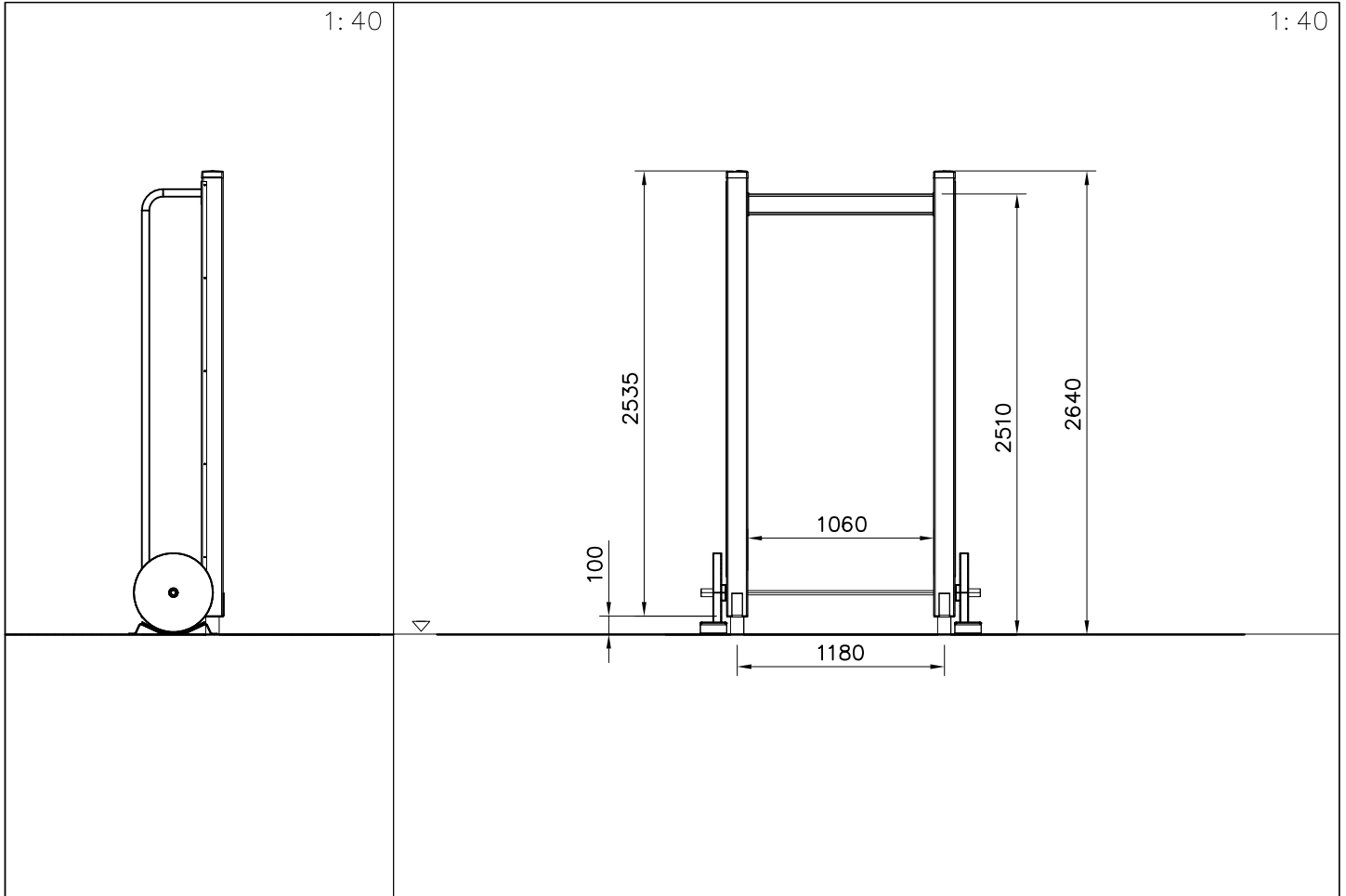


WINAM GROUP SPORT

081206M

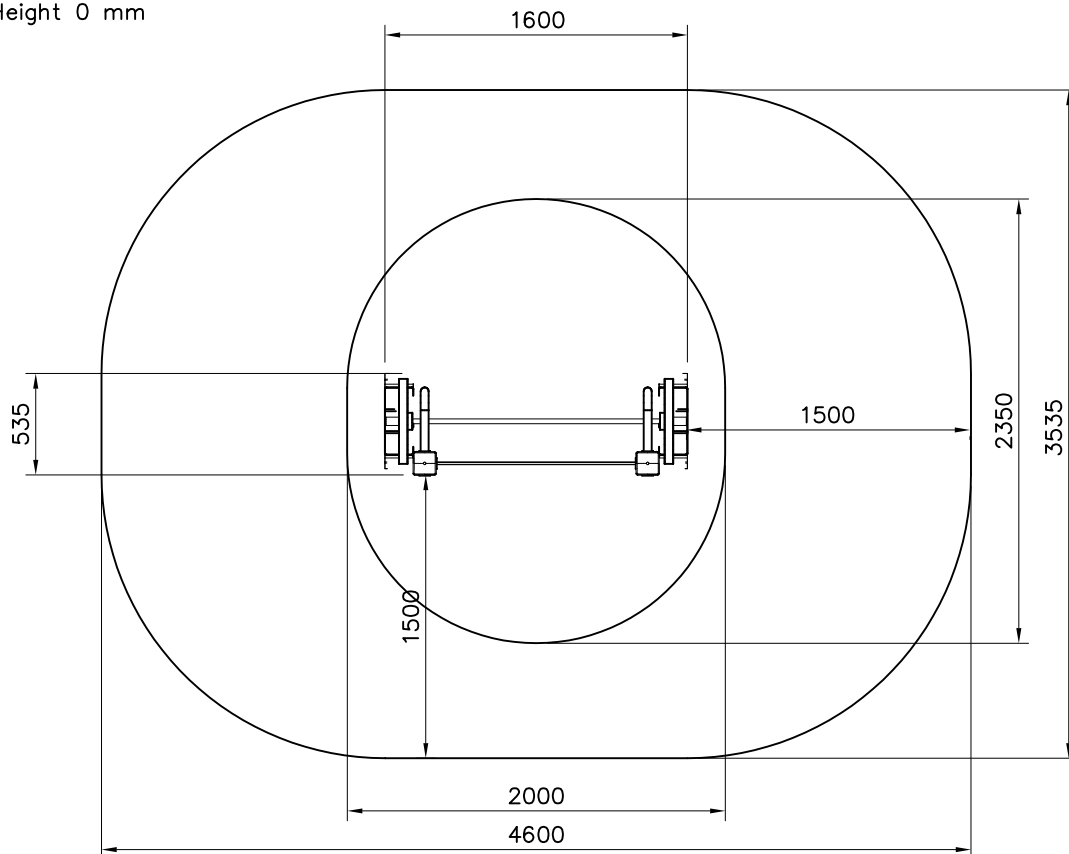


DATE: 23.3.2018



Area of Movement 14.3 m²
Training Space 3.8 m²
Max Falling Height 0 mm

1: 40


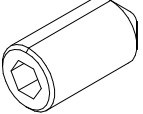

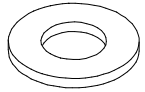




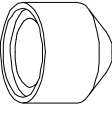
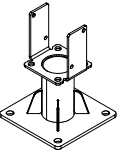


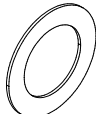
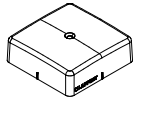

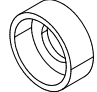

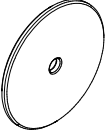
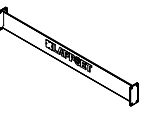
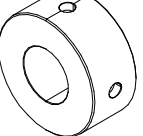
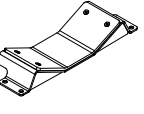




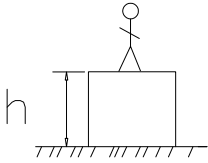



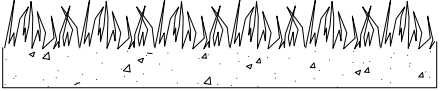
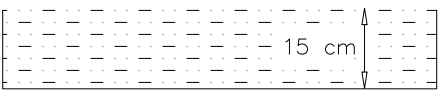
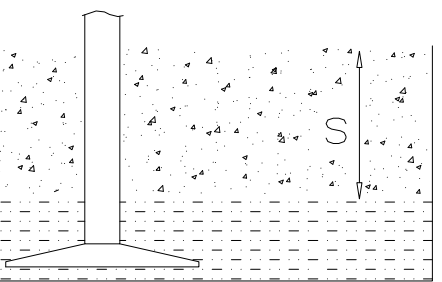
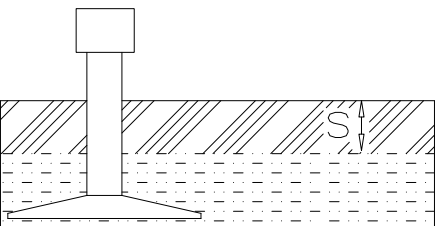
081206M

SPORT

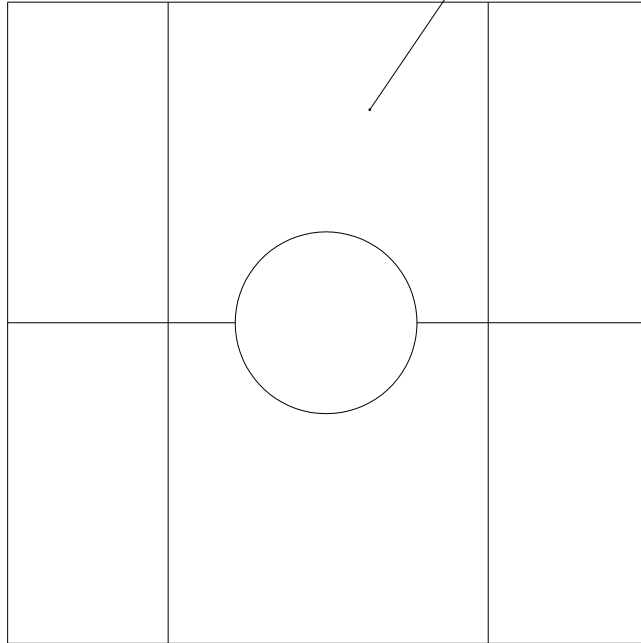
DATE: 23.3.2018

3(3)

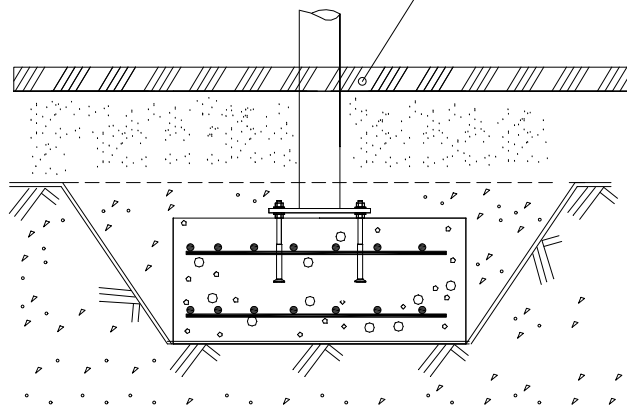
① 706021  M10x20	PCS 1	② 909500  M10x20	PCS 4	⑬ 980123  Ø7x60	PCS 24	⑱ 909256  Ø16/8.4	PCS 24
③ 980114  Ø4x20	PCS 4	④ 904450  M16x170	PCS 8	⑲ 906642  Ø50/45x20	PCS 4	⑳ 980129  Ø5x35	PCS 20
⑤ 905104  M10	PCS 8	⑥ 905780  120x120x150	PCS 2	⑳ 705322  120x120x2500	PCS 2	㉑ 905817  2626X386X60	PCS 2
⑦ 906770  Ø74/48x2	PCS 4	⑧ 905830  123x123x40	PCS 2	㉒ 906577  30x30x3x2250	PCS 2	㉓ 907560  Ø90/46-33	PCS 2
⑨ 906637  L=1590	PCS 1	⑩ 906600  Ø450 10kg	PCS 2				
⑪ 906605  L=1060	PCS 1	⑫ 908976  Ø98/45x44	PCS 2				
⑬ 705542 	PCS 2	⑯ 980104  Ø5x90	PCS 2				
⑮ 909628  M10x100	PCS 16		PCS				

		
<p>$h < 600$</p> <p>Without movement and therefore without Impact Area</p>	<p>Totally hard surfaces.</p> <p>Note. Lappset does <u>not recommend</u> totally hard surfaces at all.</p>	<p>E.g. concrete or asphalt</p> 
<p>$h < 600$</p> <p>With movement e.g. rocking</p>	<p>Materials with very limited impact attenuating properties.</p>	<p>E.g. wood</p> 
<p>$h < 1000$</p>	<p>Materials with significant impact attenuating properties.</p>	<p>fine gravel 0–8 mm</p>  <p>grass</p>  <p>unsorted sand</p> 
<p>$h < 3000$</p>	<p>Loose fill material</p> <p>E.g. sand/gravel 0,25...8 mm D60/D10<3,0 Woodchips 5...30 mm bark 20...80 mm</p>	 <p>\underline{S} \underline{h}</p> <p>30 cm < 2,0 m</p> <p>40 cm < 3,0 m</p>
	<p>Syntethic granulates</p> <p>\underline{S} \underline{h}</p> <p>40 mm ~> 1,2...1,3 m</p> <p>50 mm ~> 1,5...1,7 m</p> <p>60 mm ~> 1,8...2,0 m</p> <p>70 mm ~> 2,1...2,5 m</p> <p>Note. For accurate values, see manufacturer's instructions.</p>	

REMOVE SAFETY SURFACE/SAND/GRAVEL
TO CHECK FOUNDATION

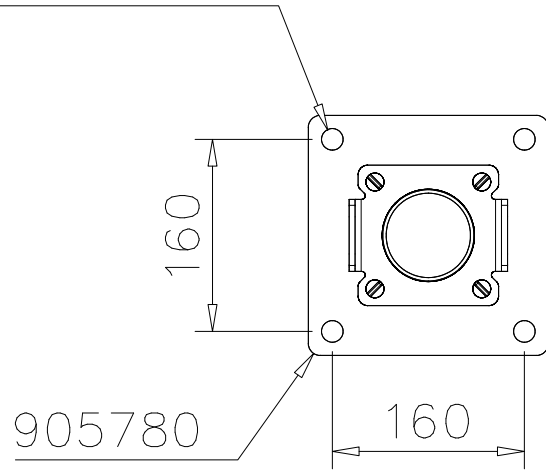


REMOVE SAFETY SURFACE/SAND/GRAVEL
TO CHECK FOUNDATION

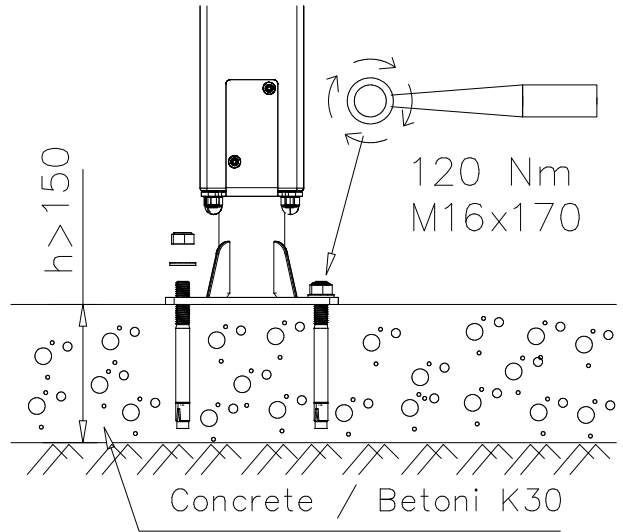


DET 1

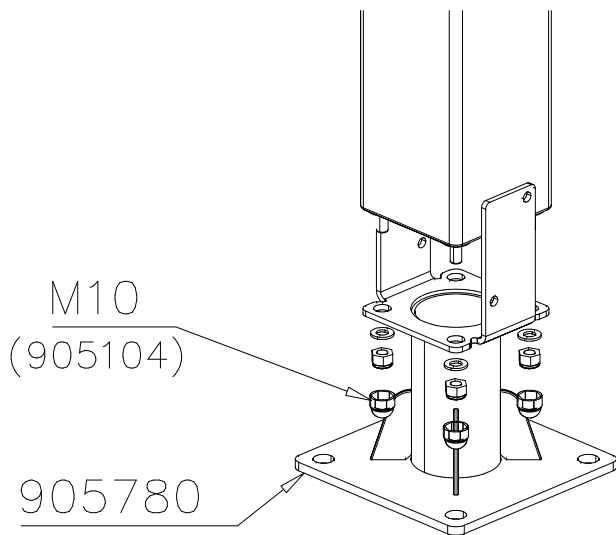
$\varnothing 16 \downarrow > 130$



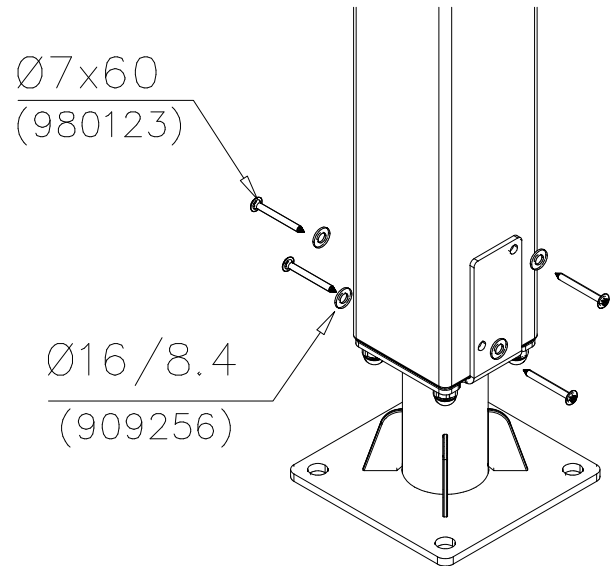
DET 2



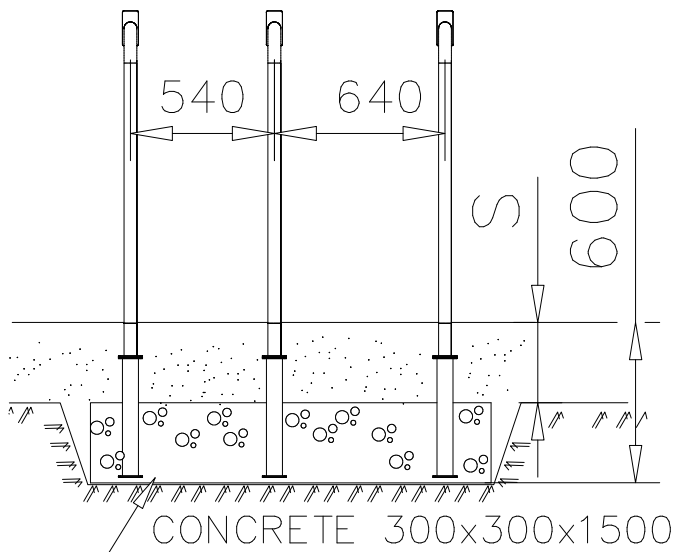
DET 3



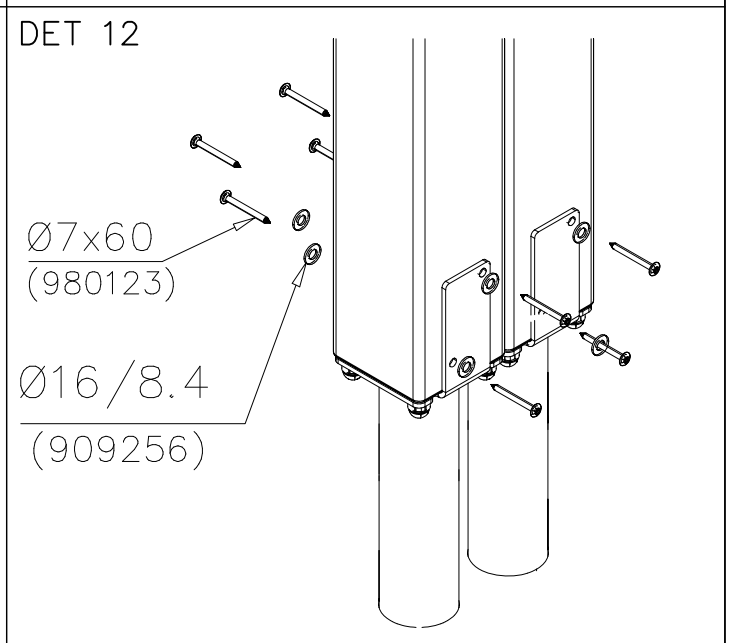
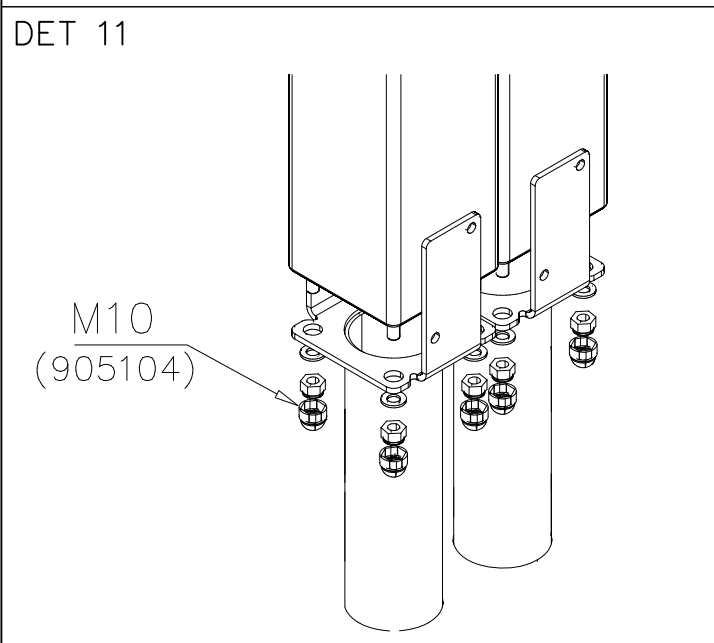
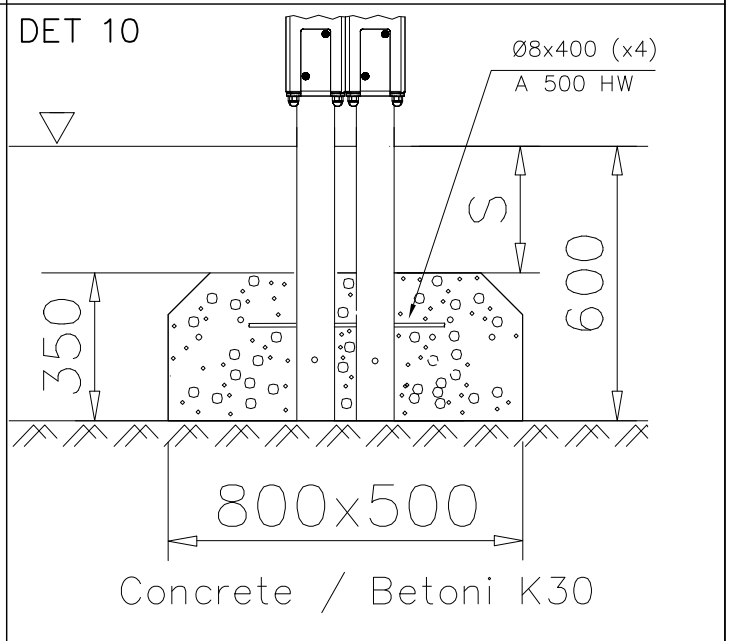
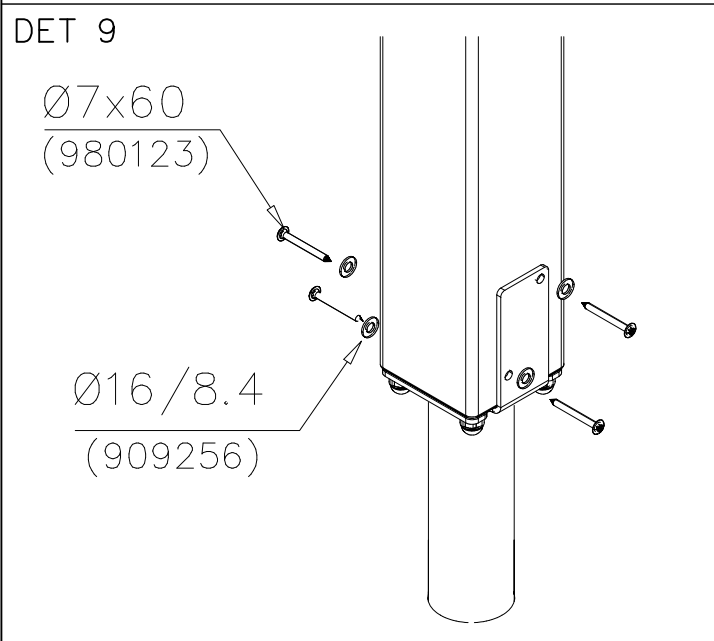
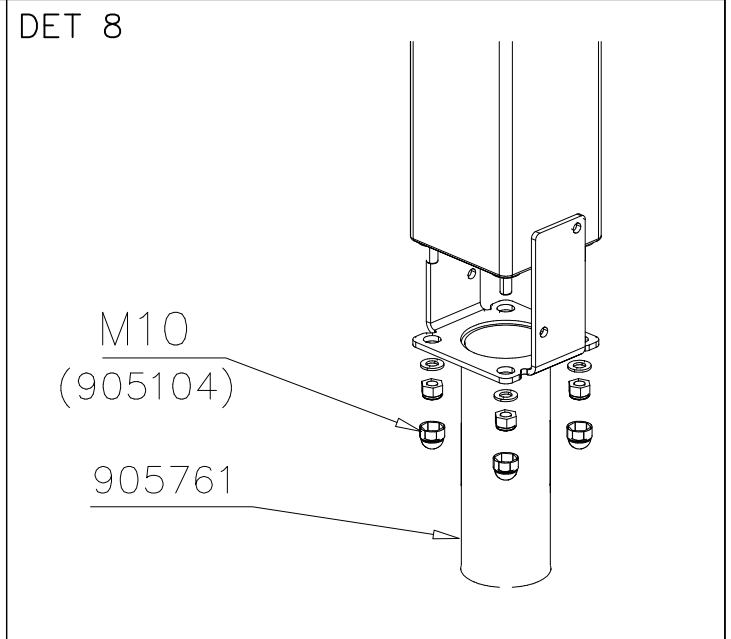
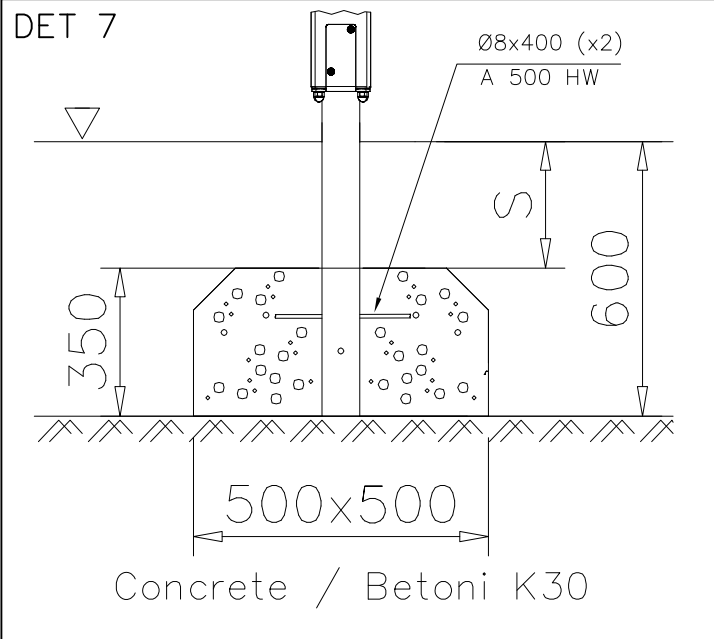
DET 4



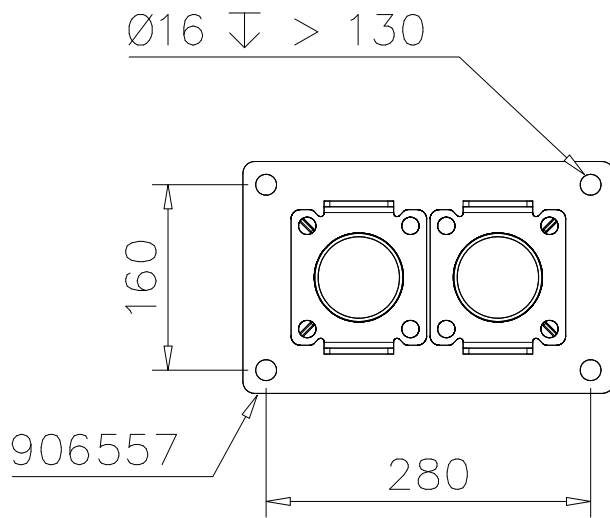
DET 5



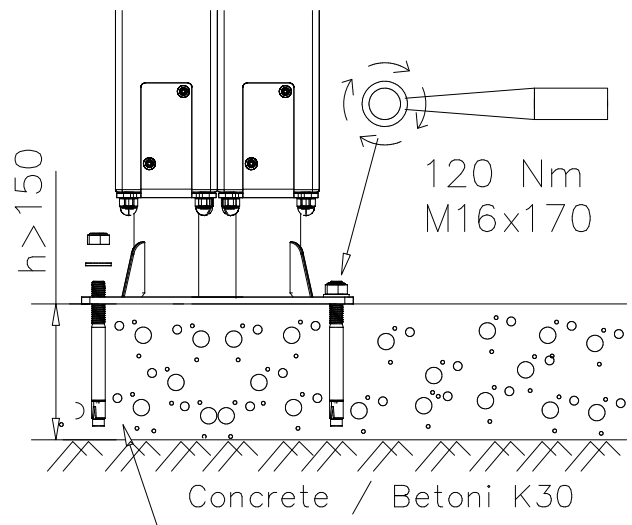
DET 6



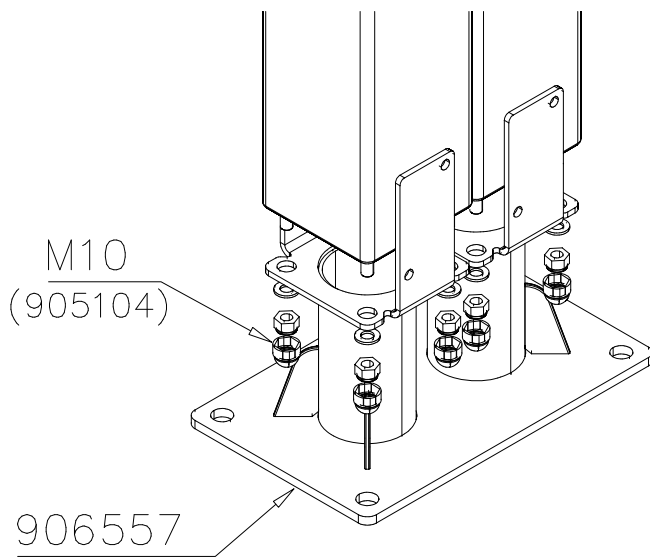
DET 13



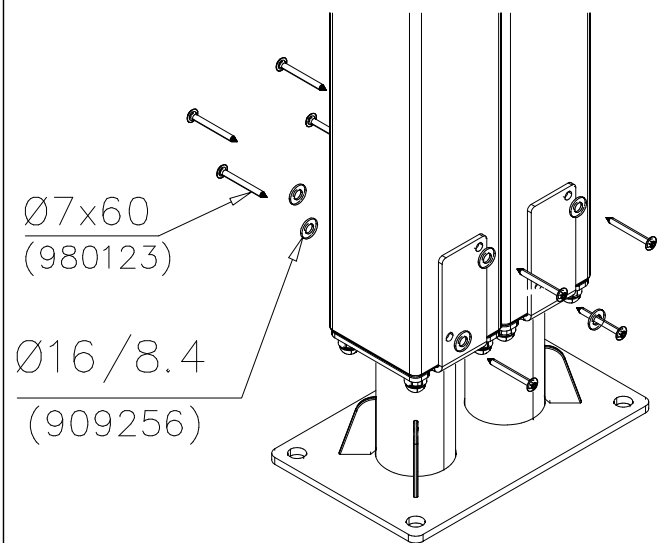
DET 14



DET 15

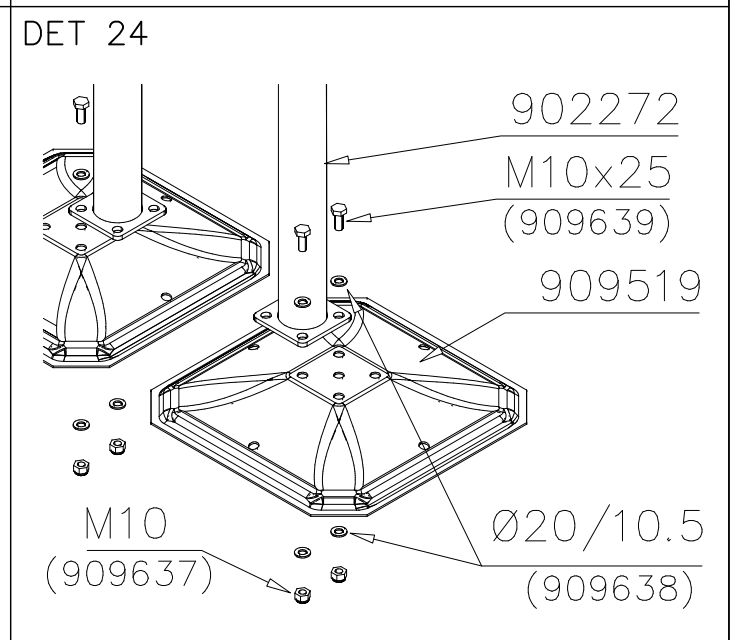
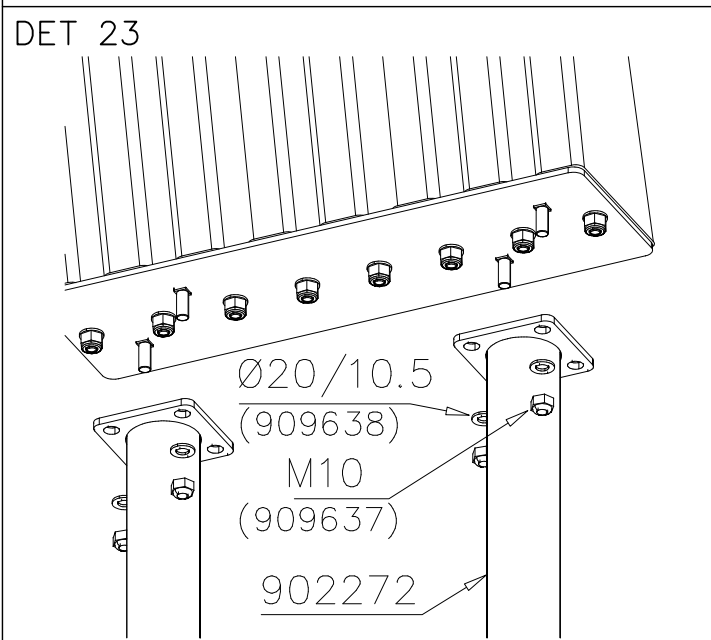
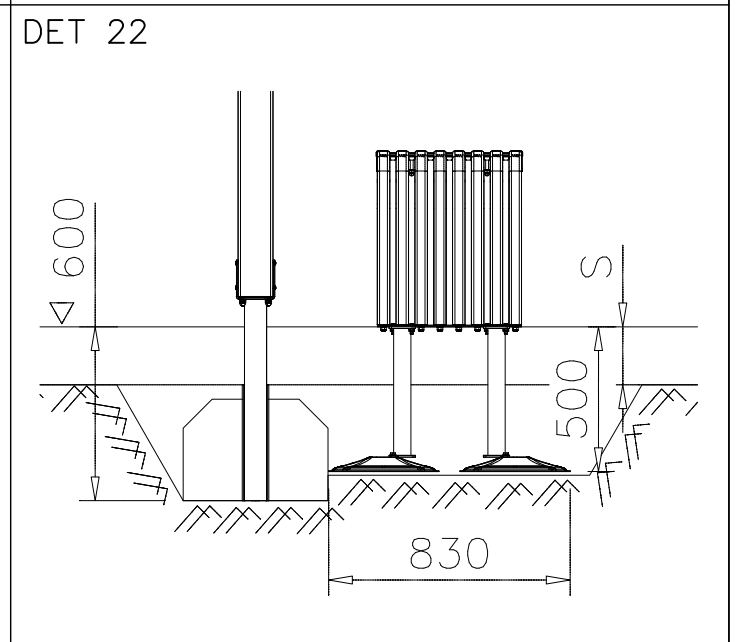
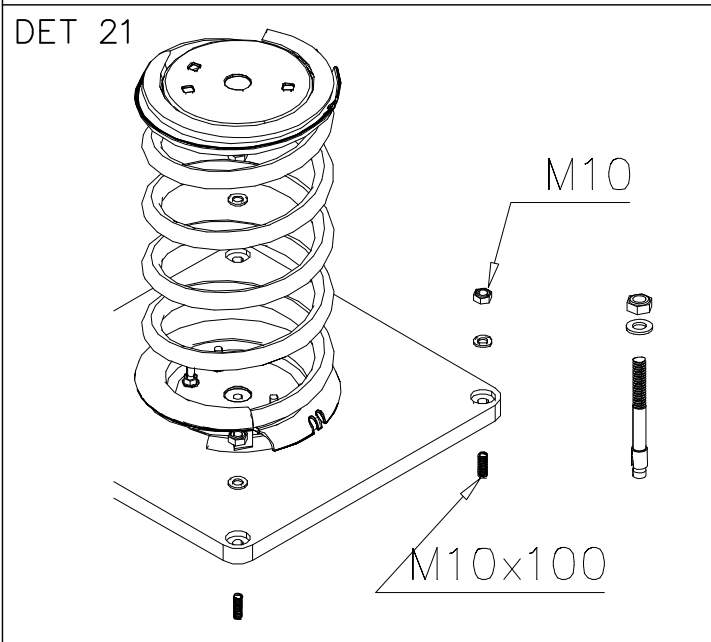
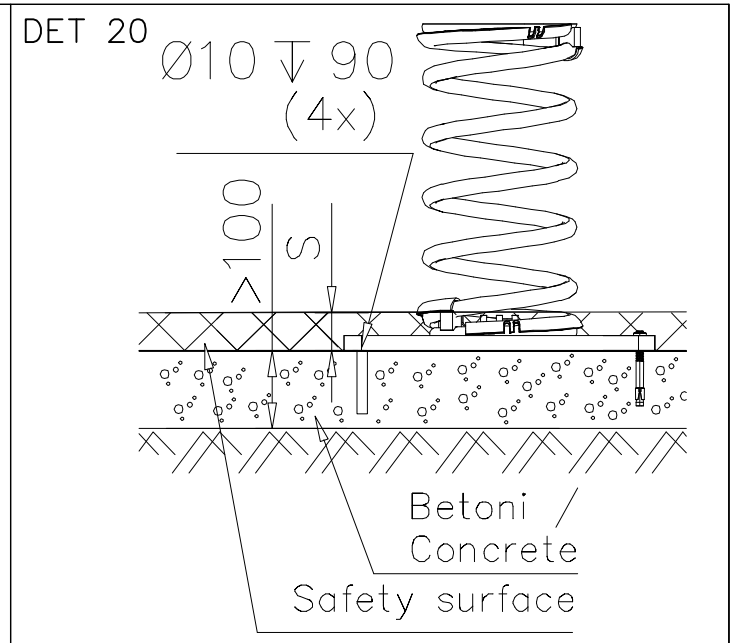
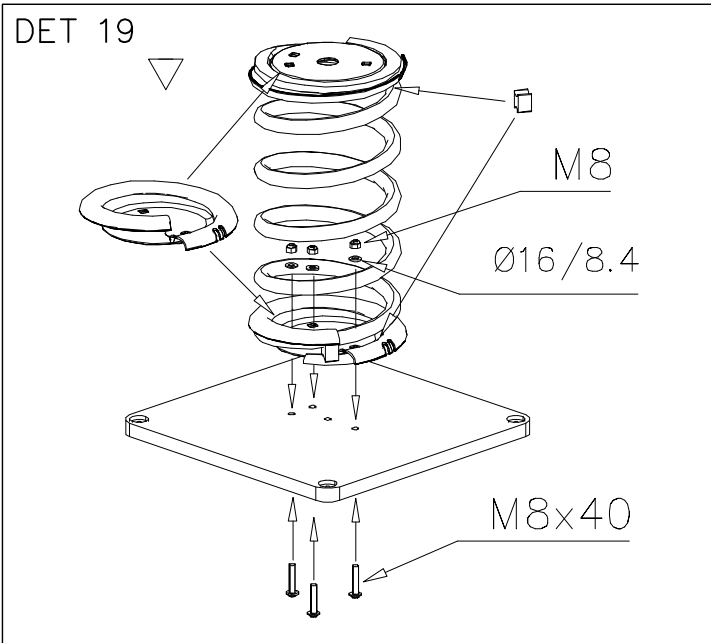


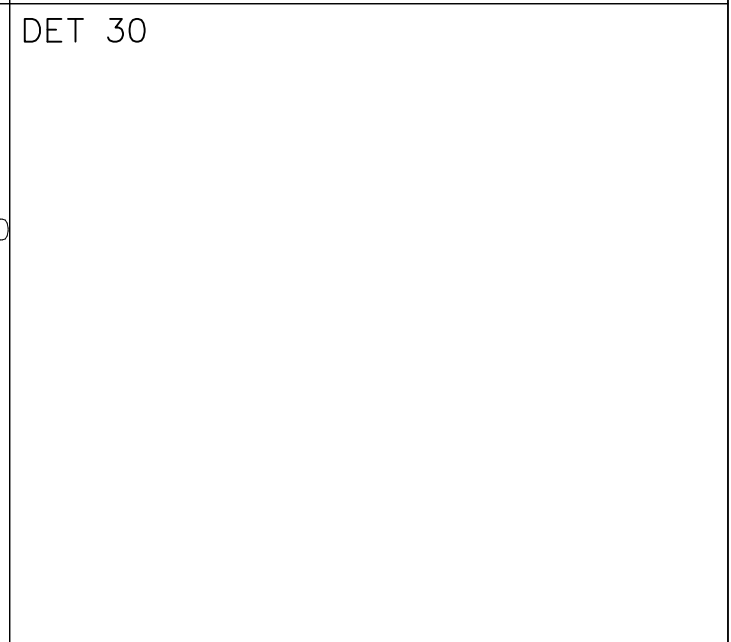
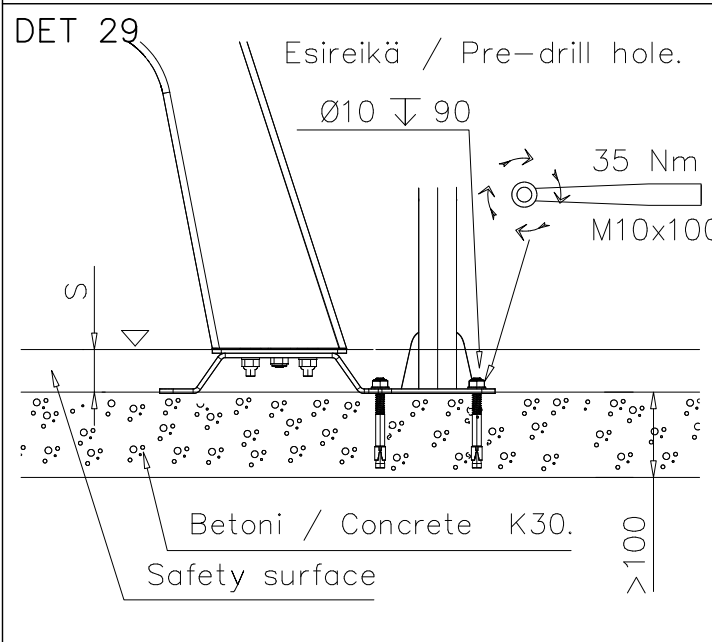
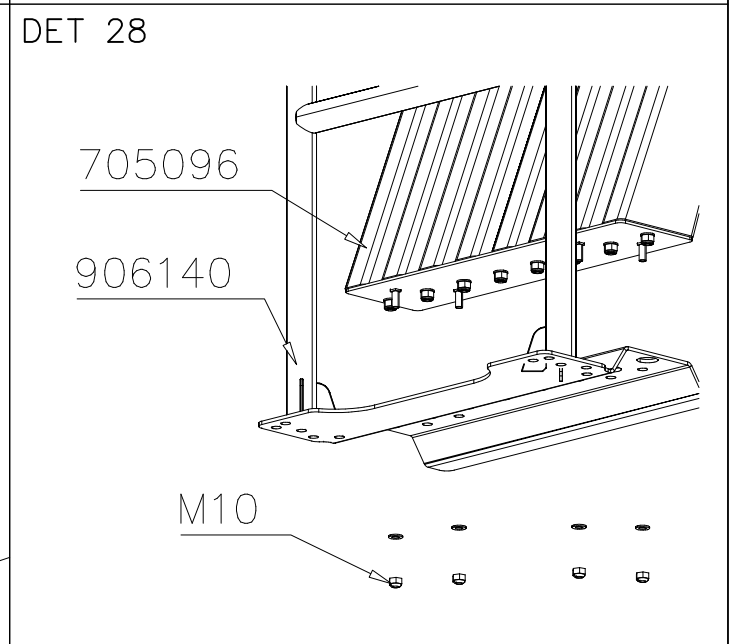
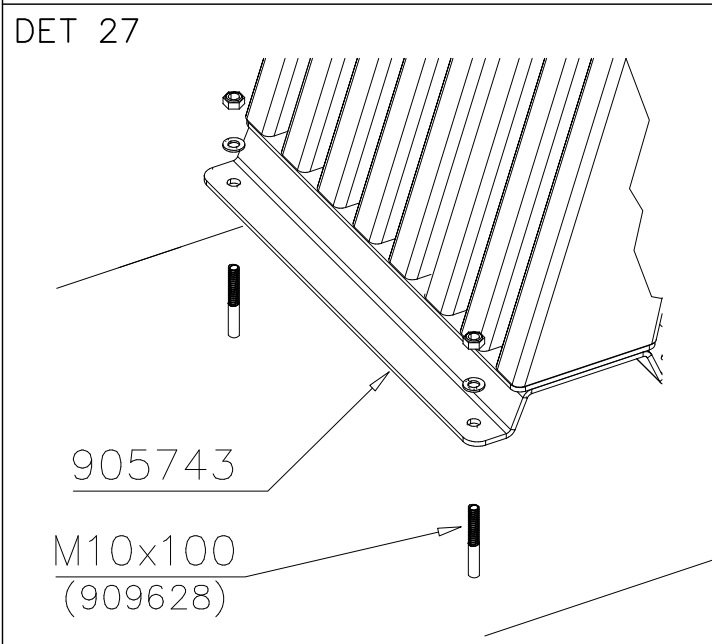
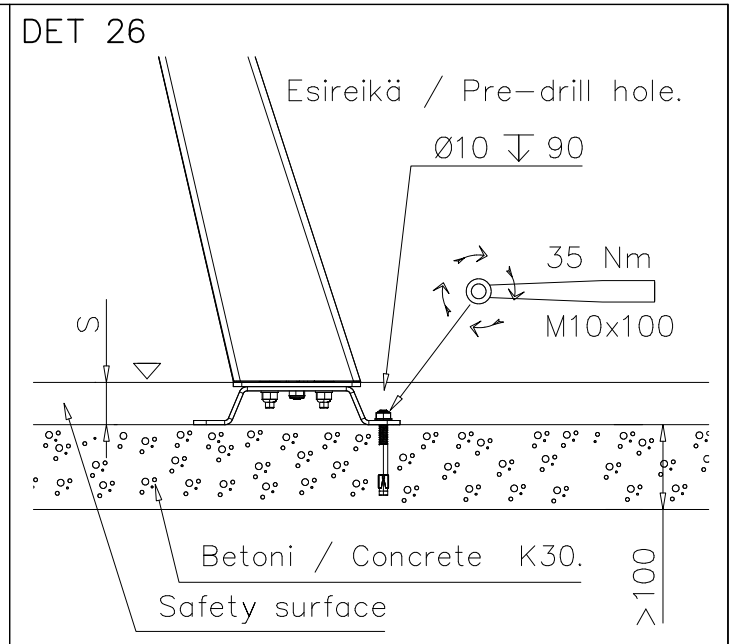
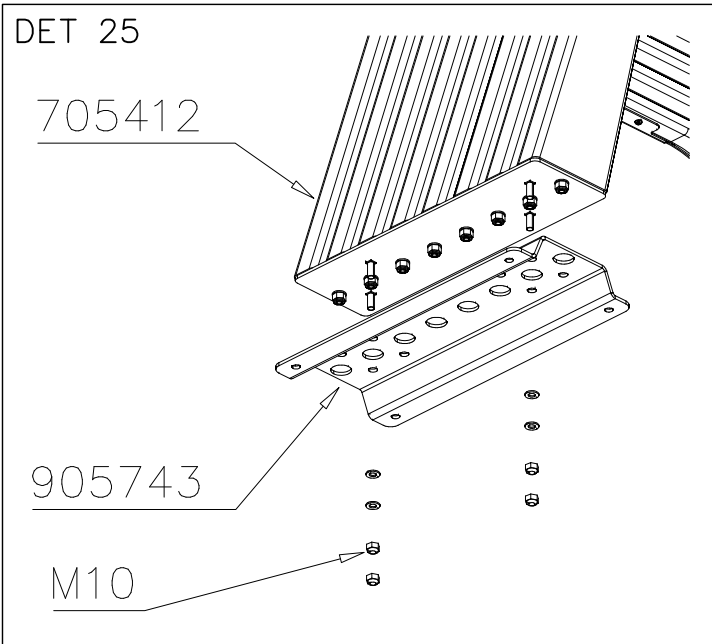
DET 16

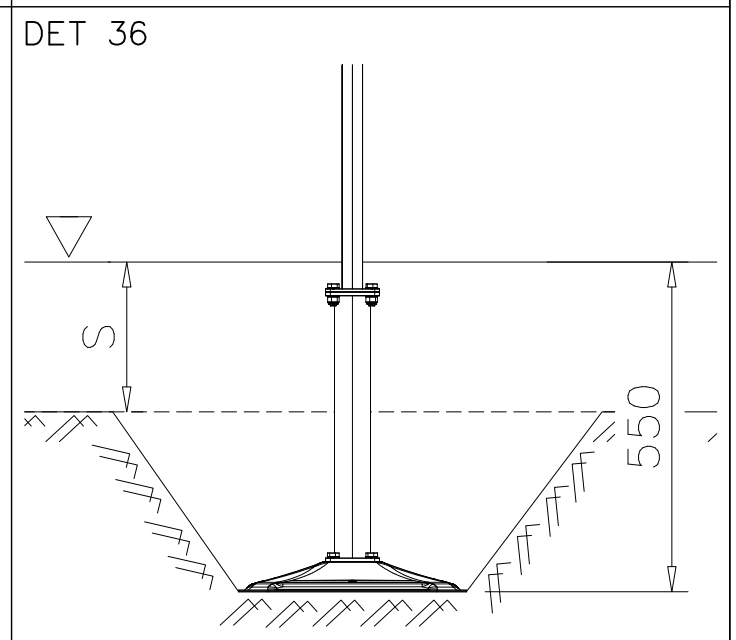
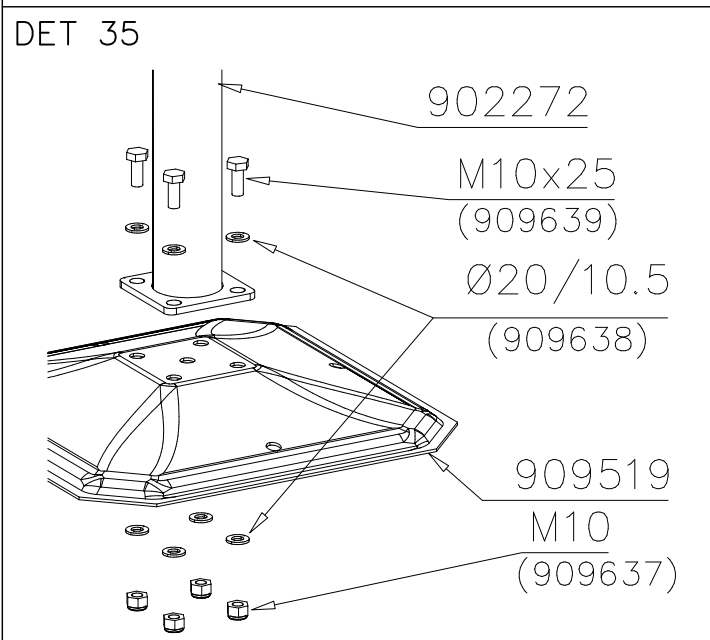
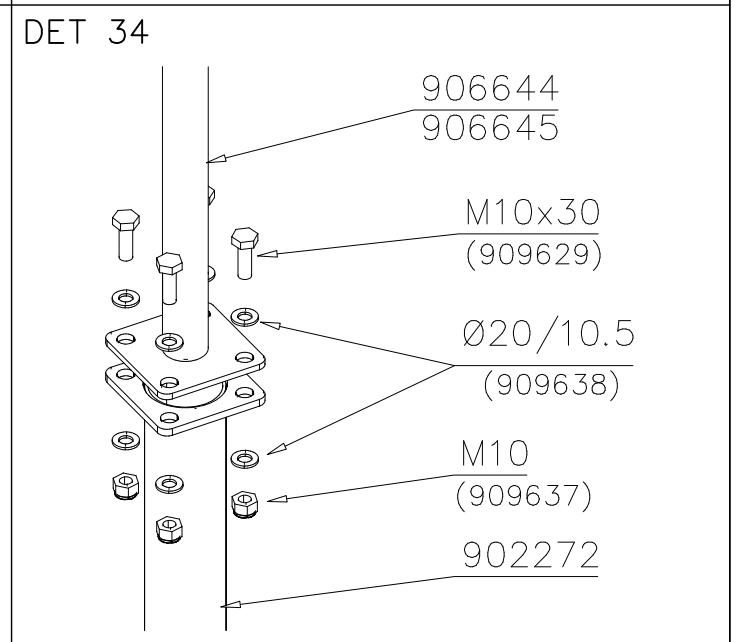
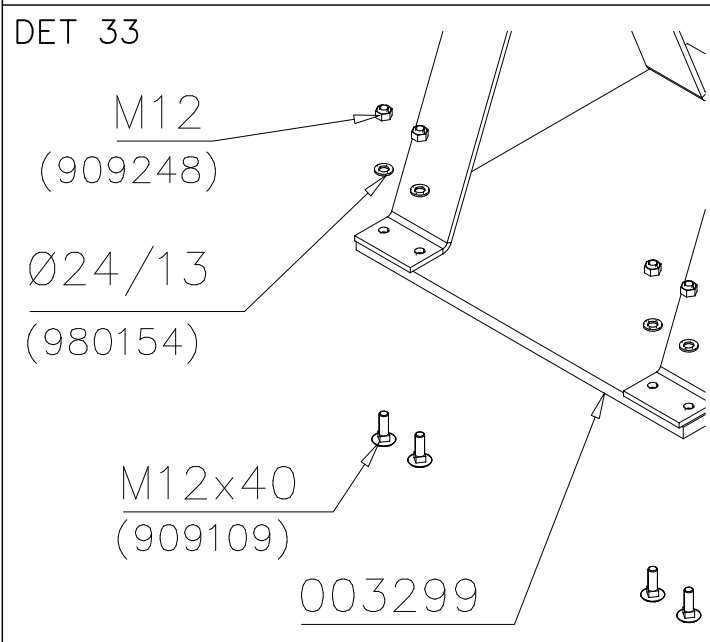
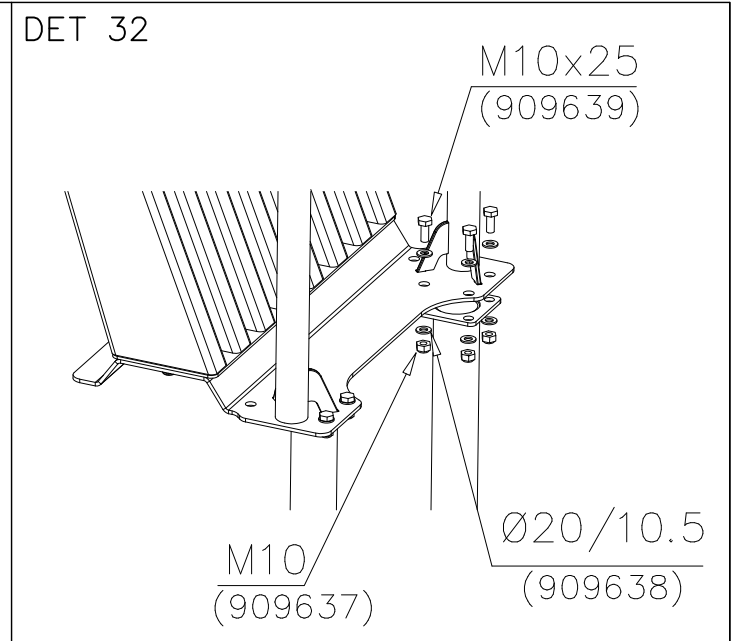
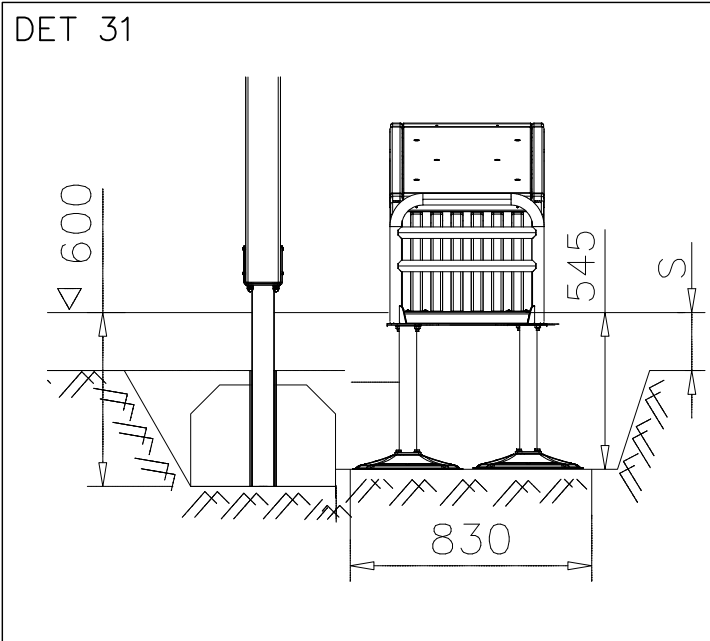


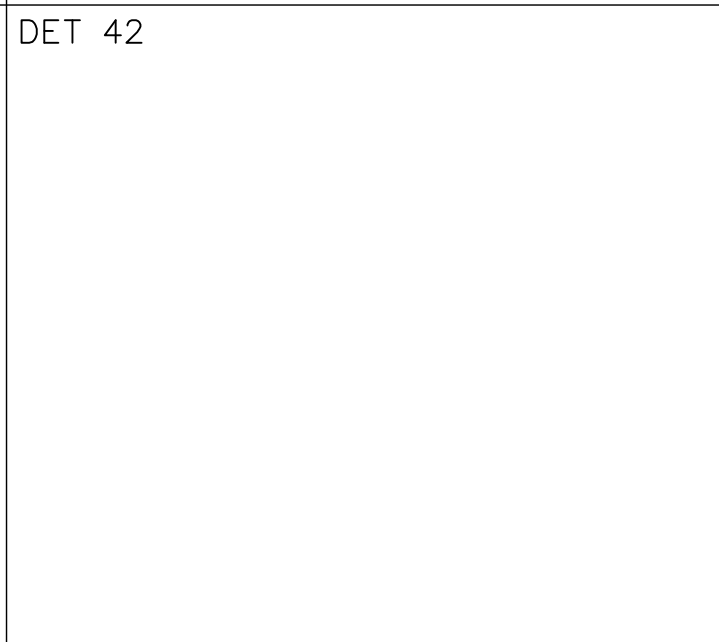
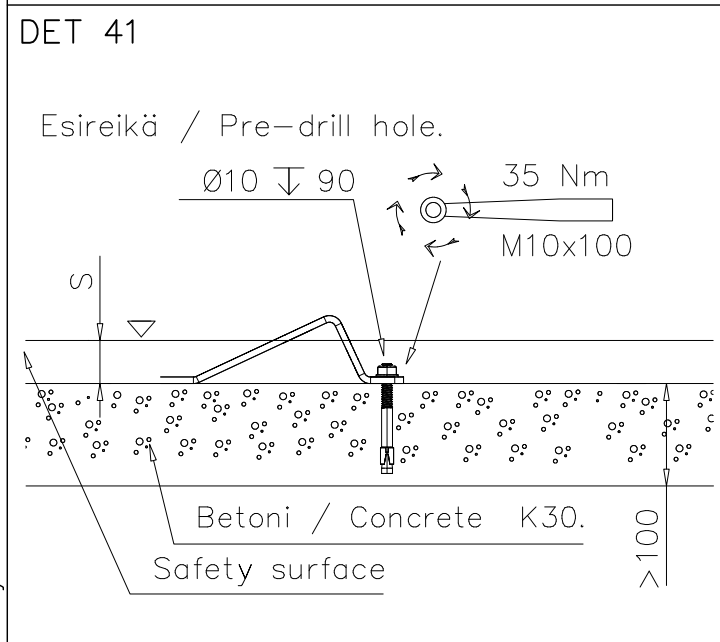
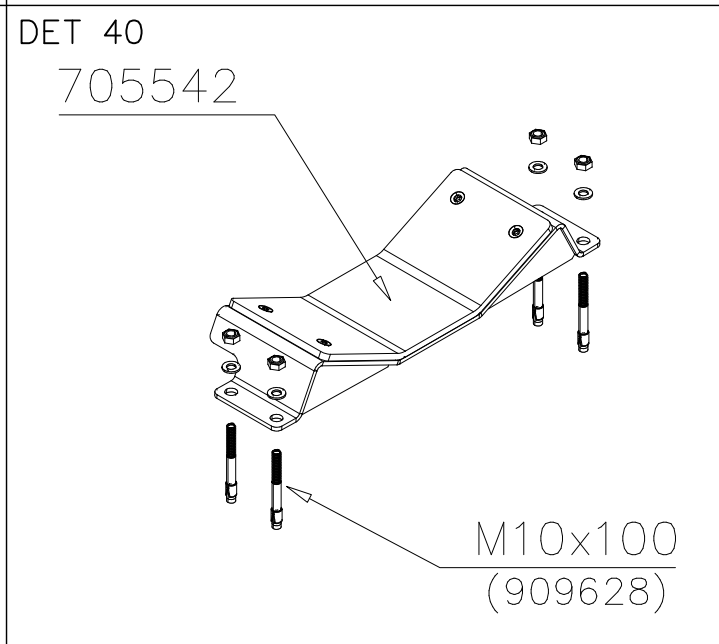
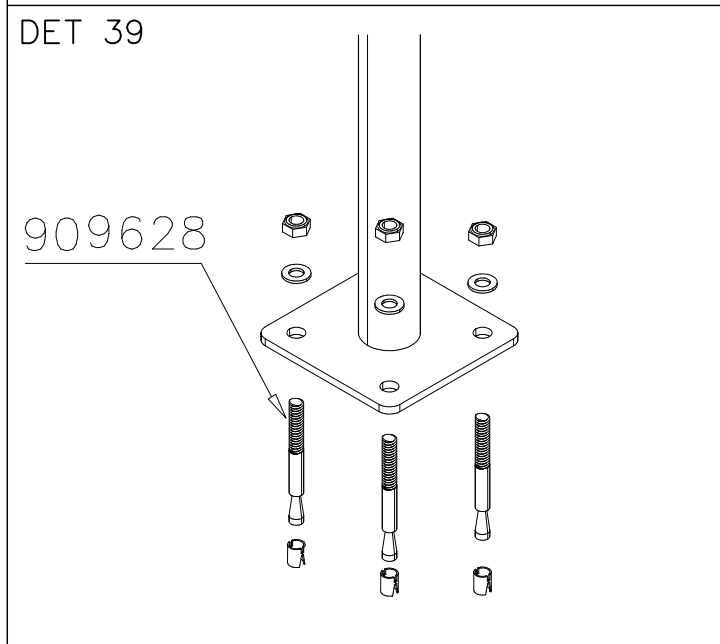
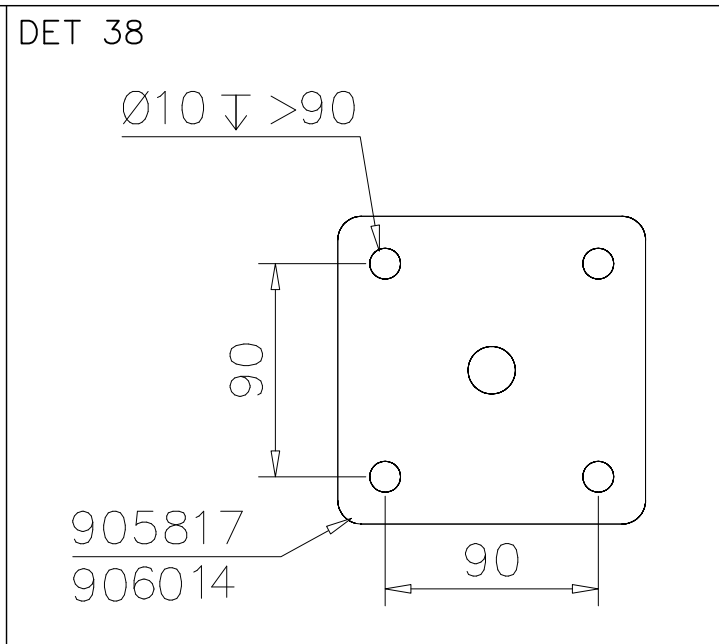
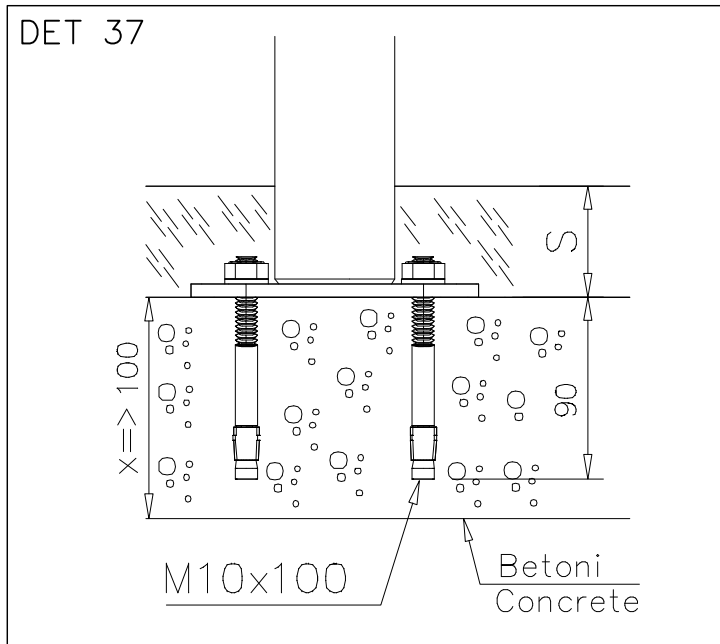
DET 17

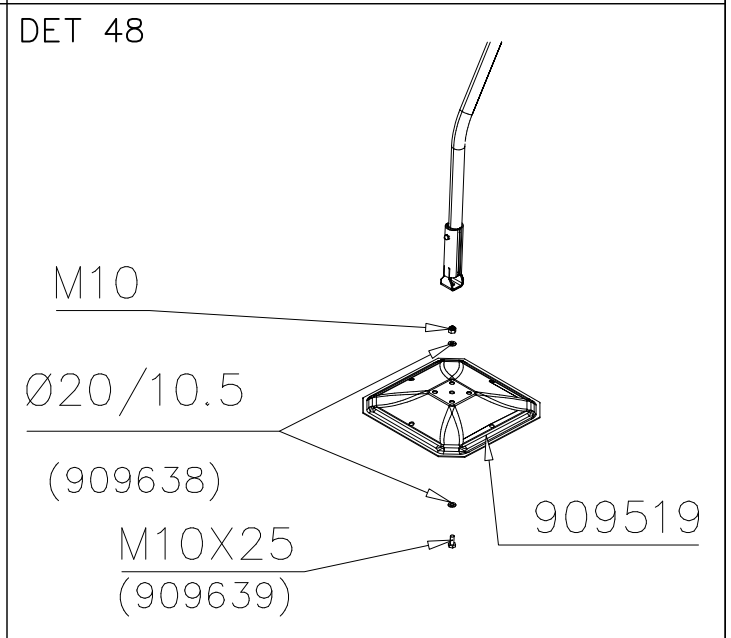
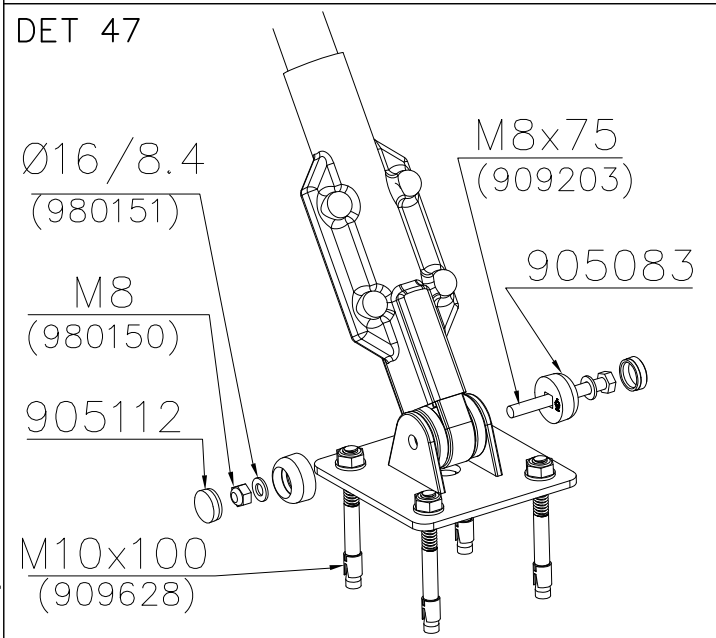
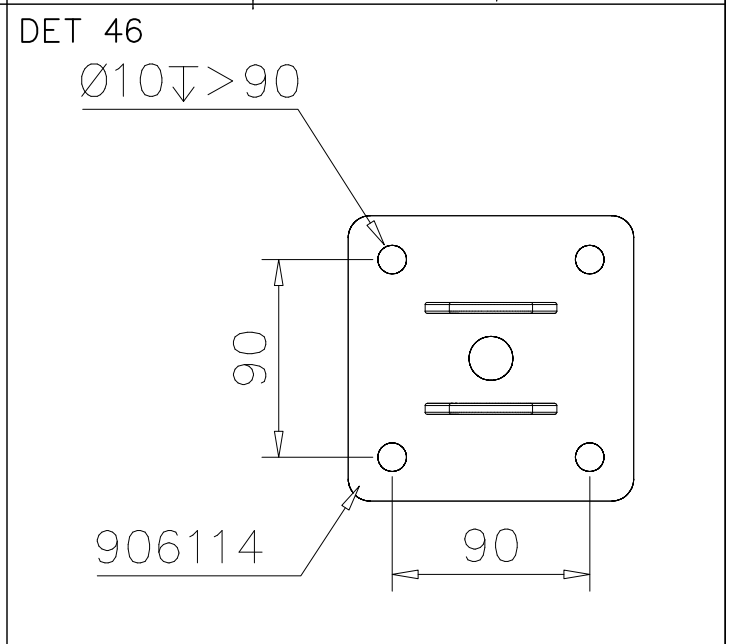
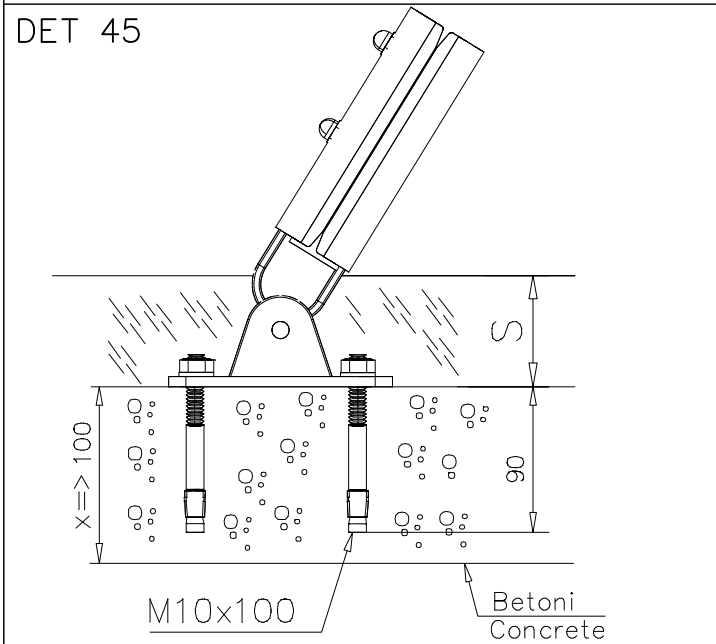
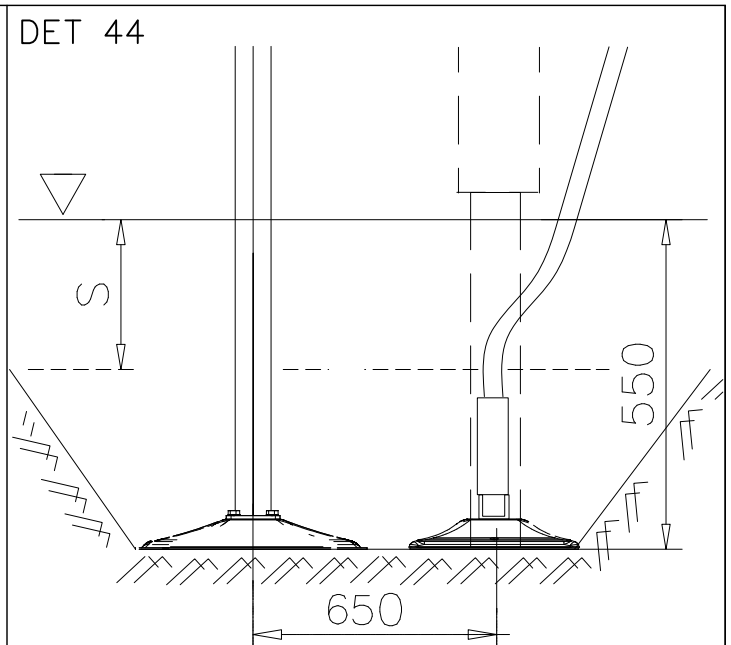
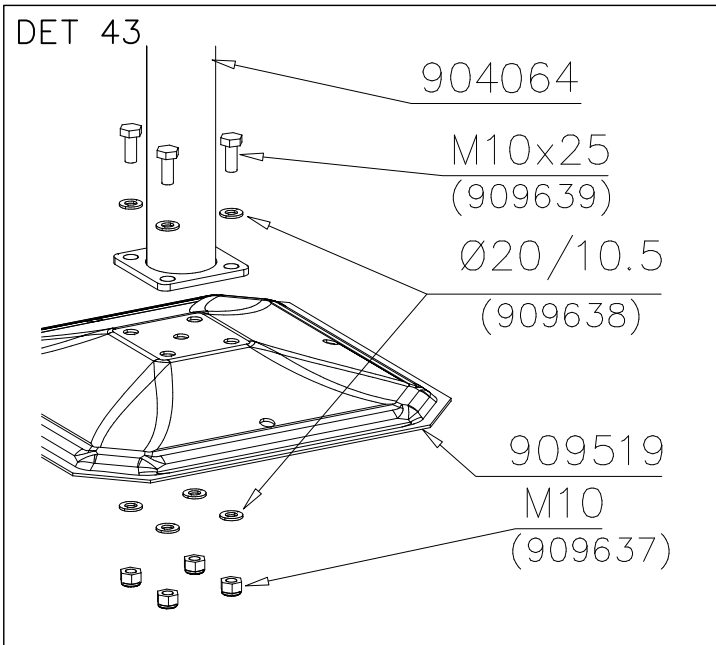
DET 18



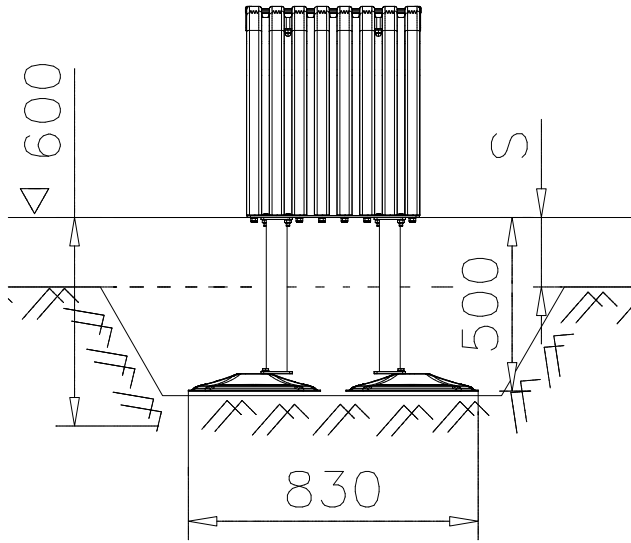




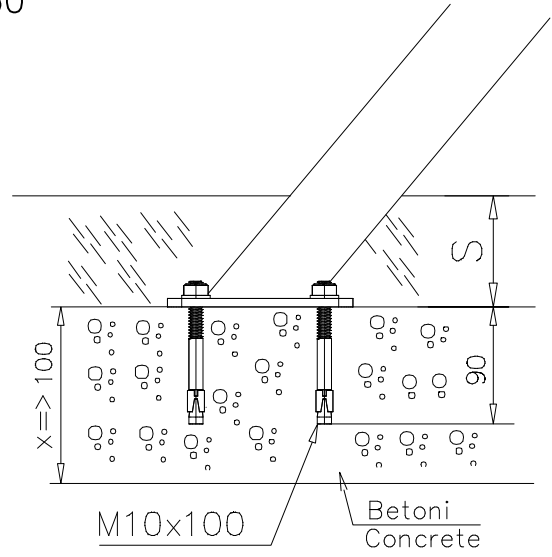




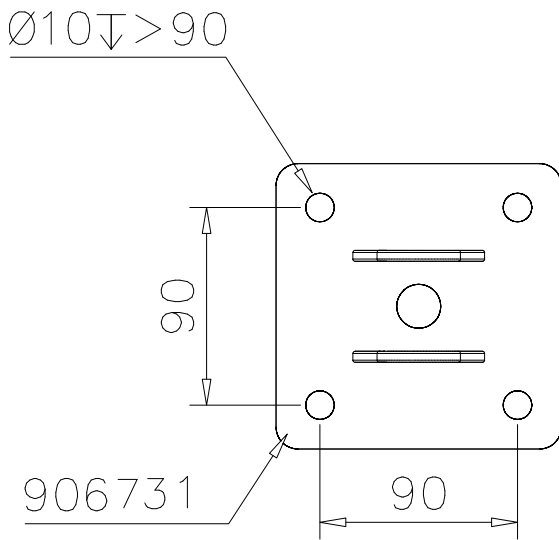
DET 49



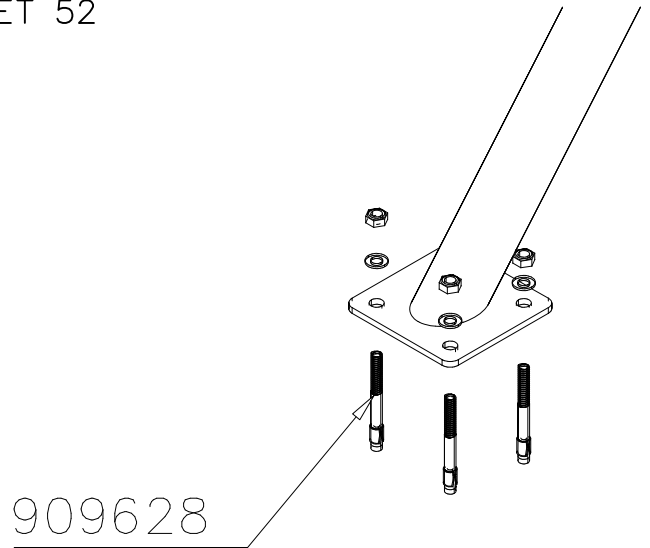
DET 50



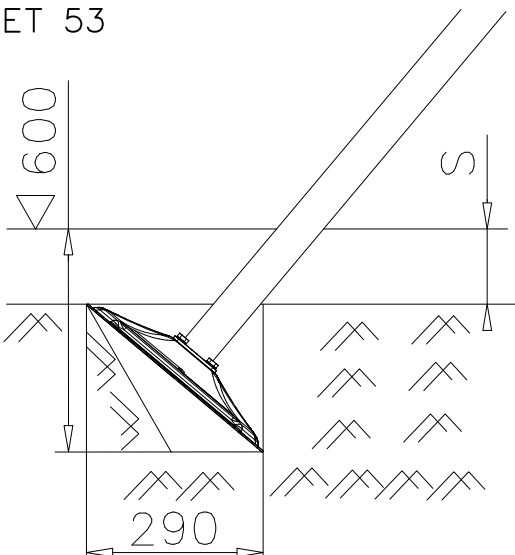
DET 51



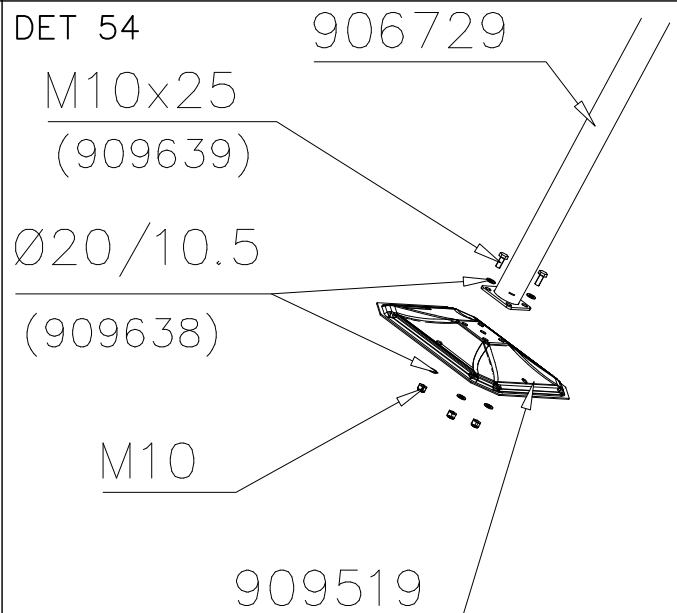
DET 52



DET 53



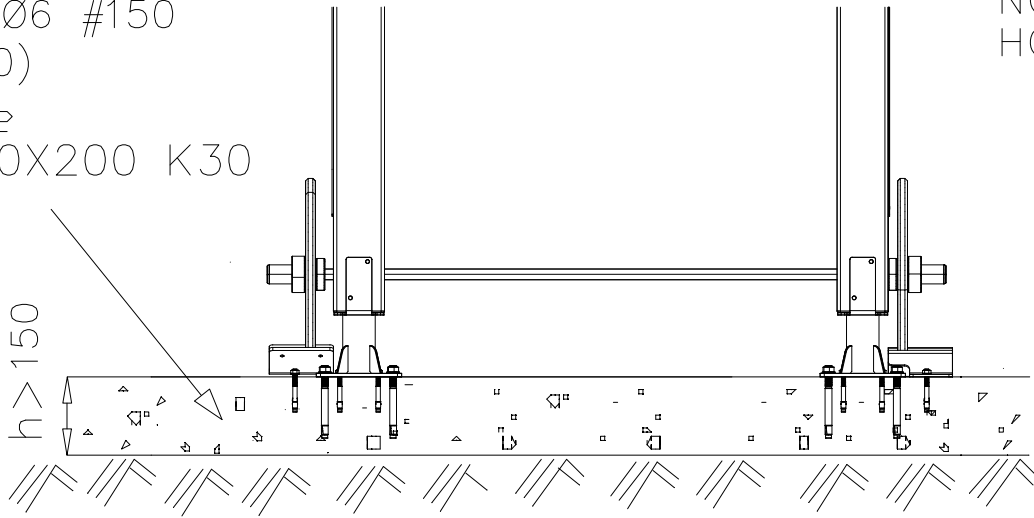
DET 54



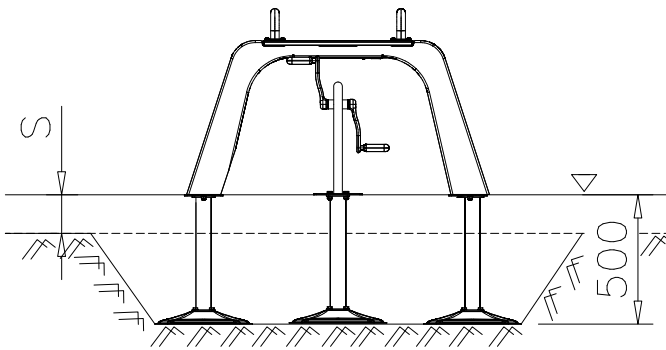
DET 55

STEELNET Ø6 #150
(1400x2100)
Concrete
1500X2200X200 K30

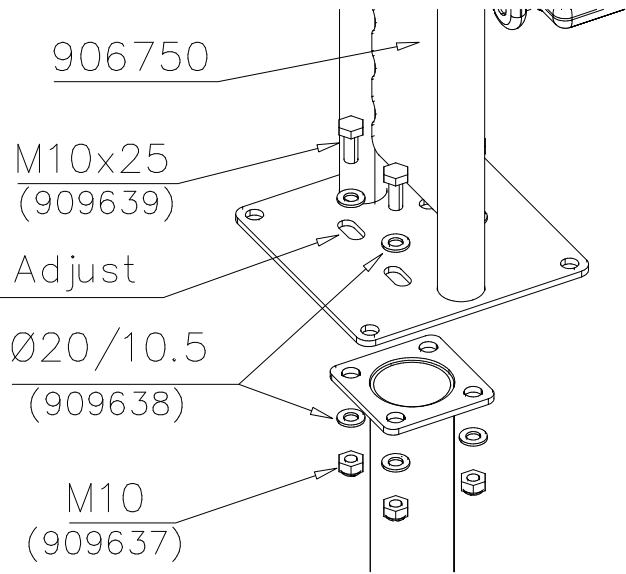
NOTE!
HOX!



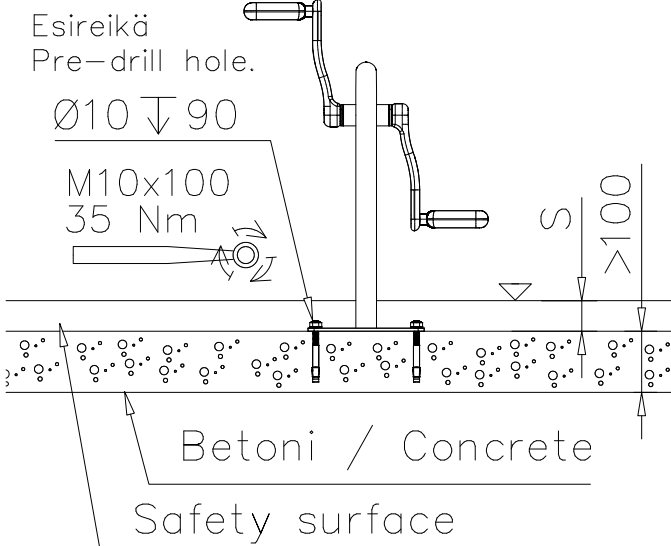
DET 56



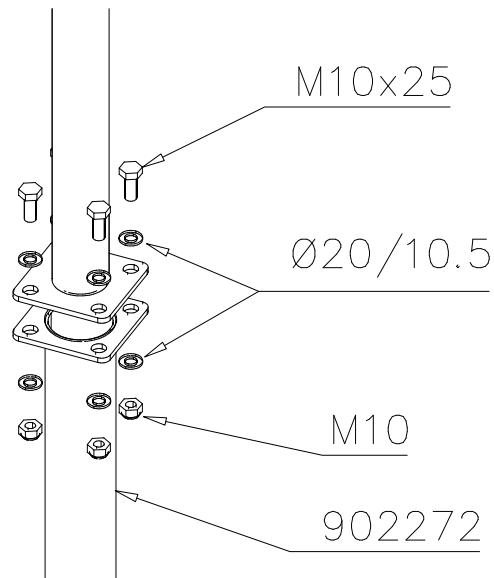
DET 57

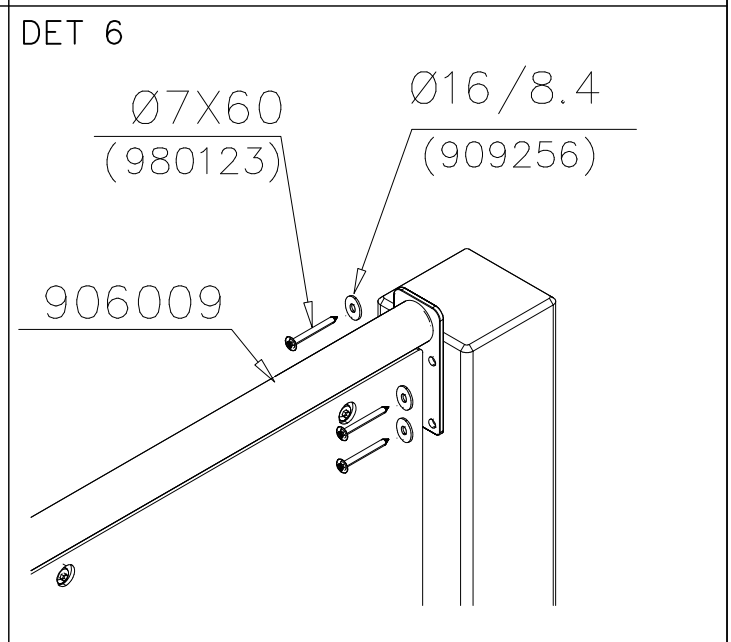
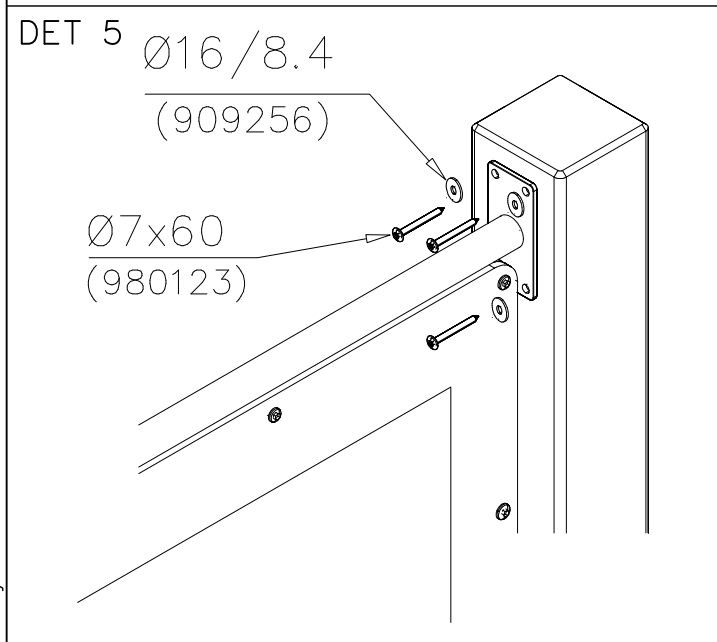
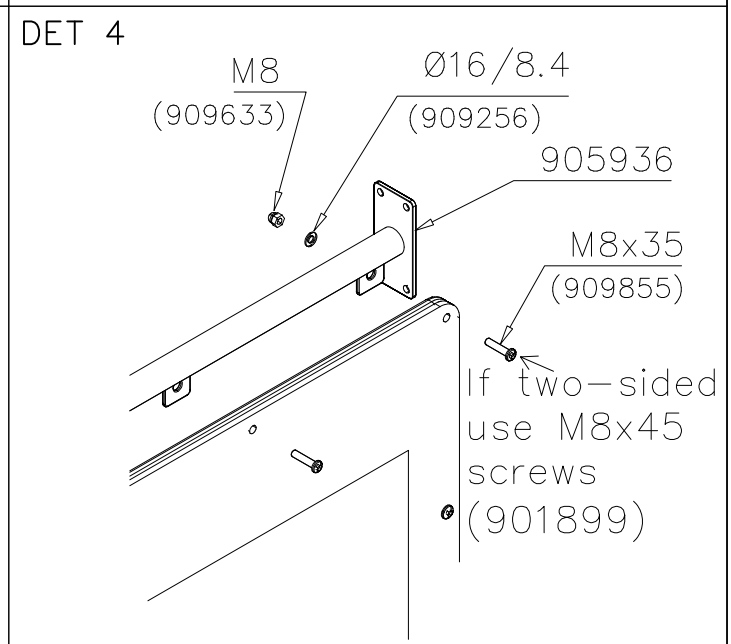
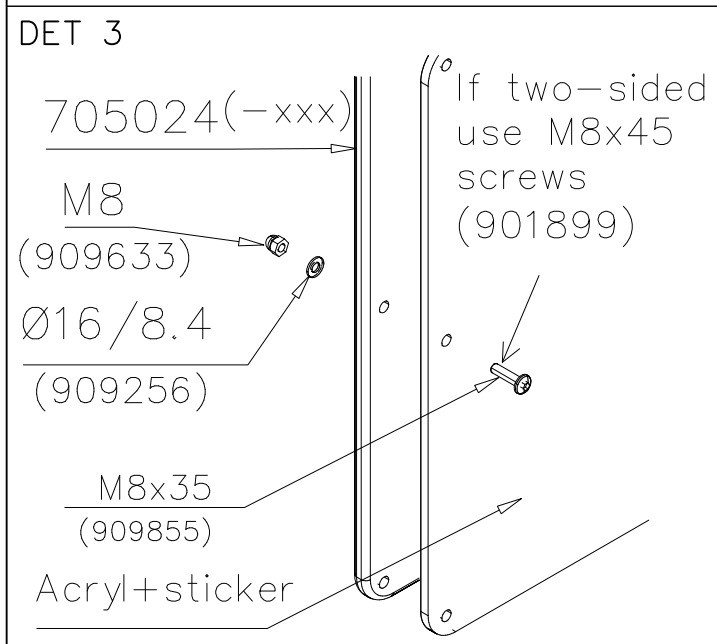
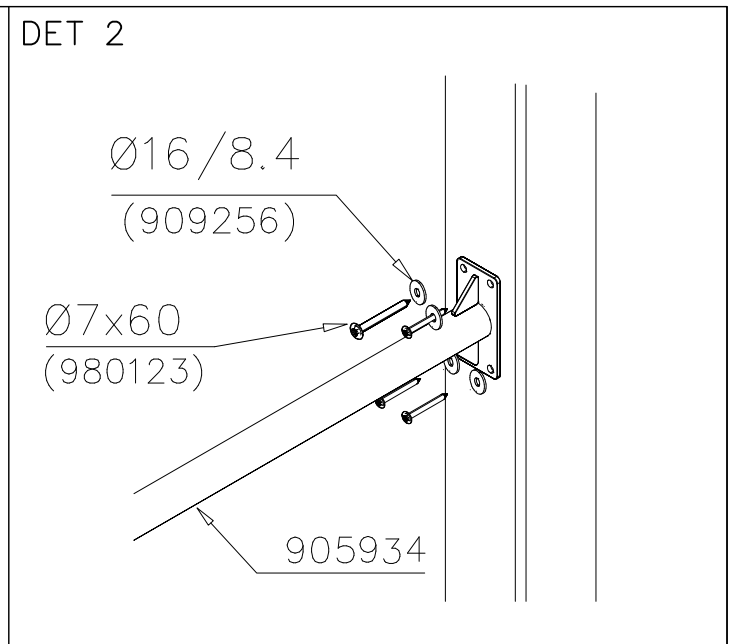
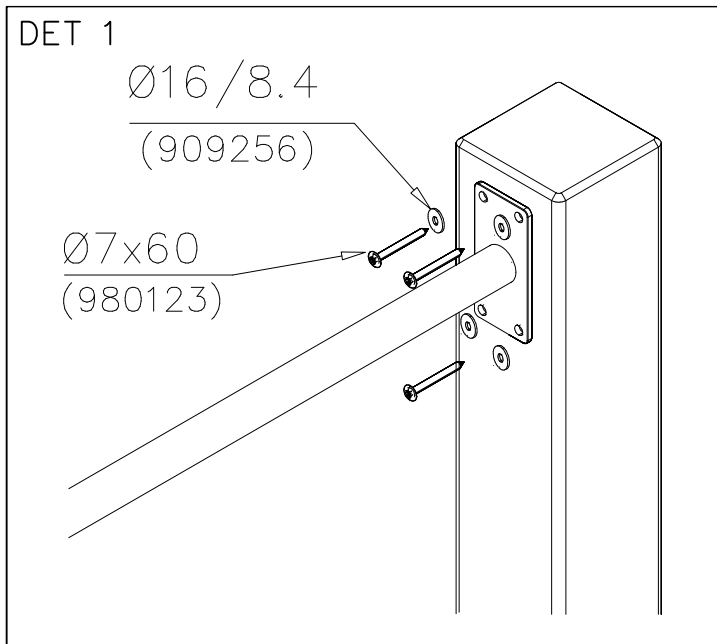


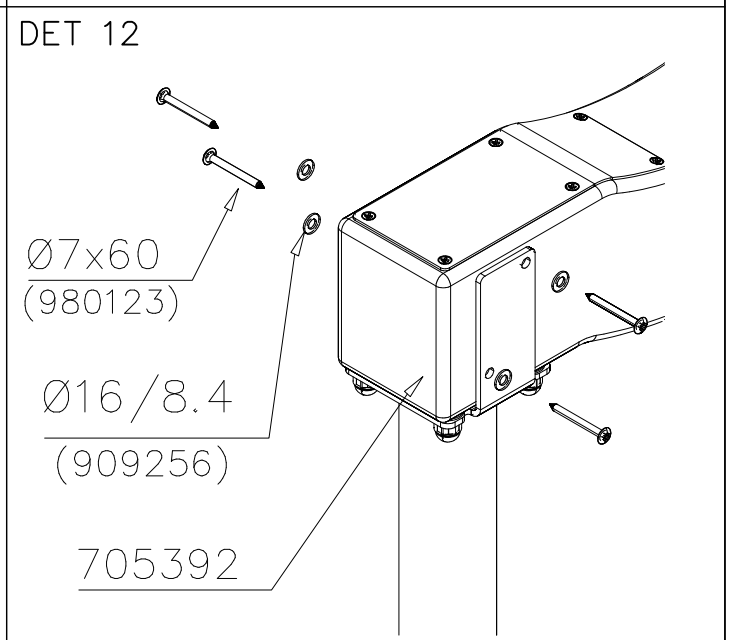
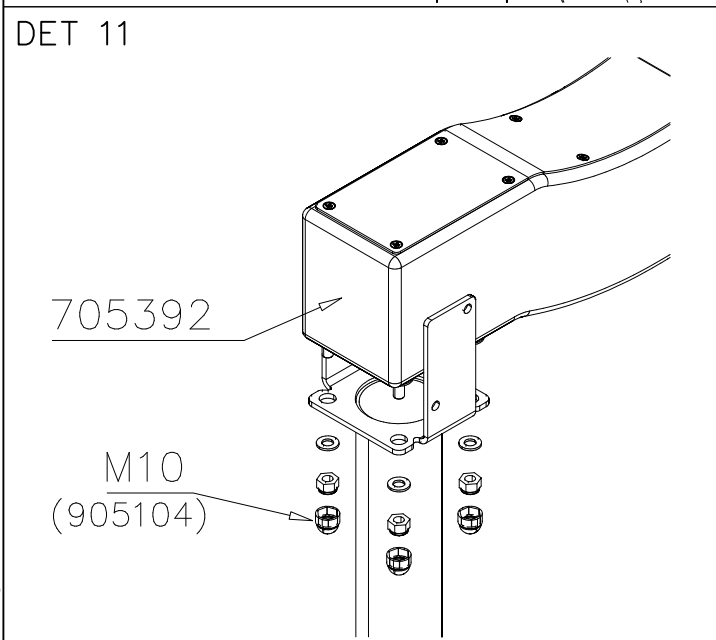
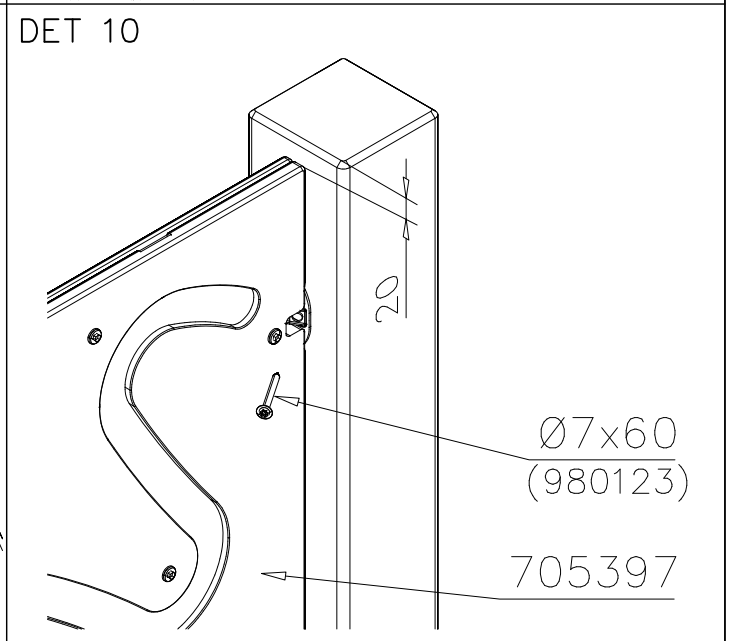
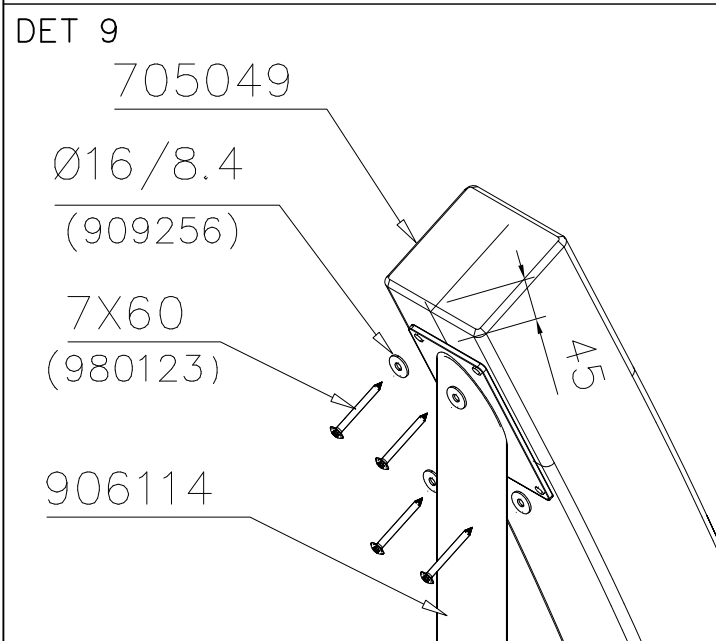
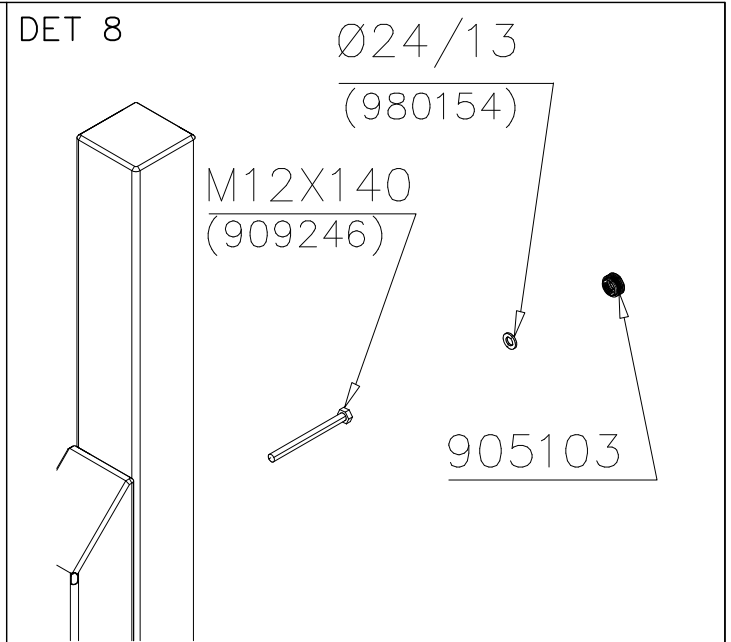
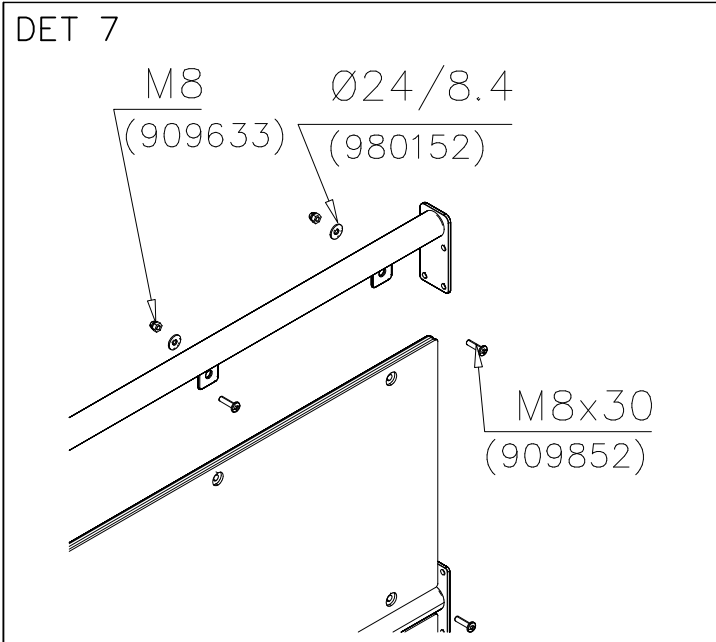
DET 58



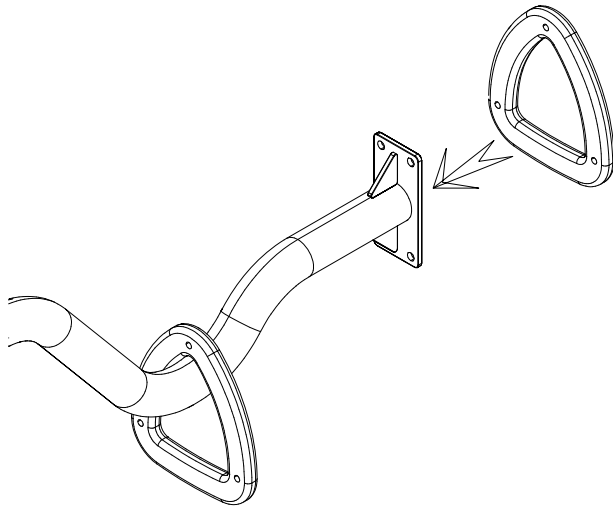
DET 59



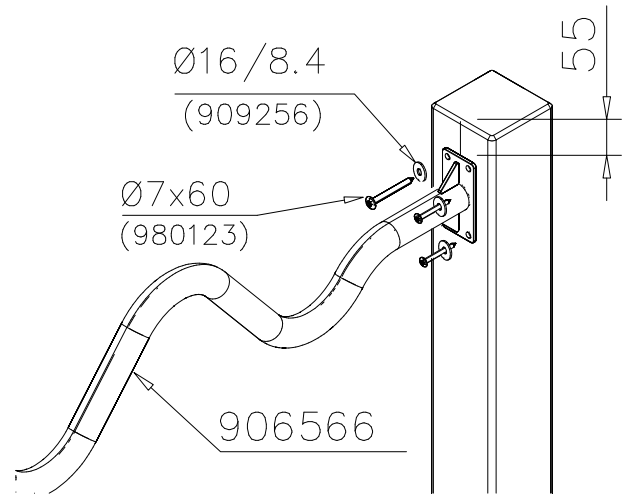




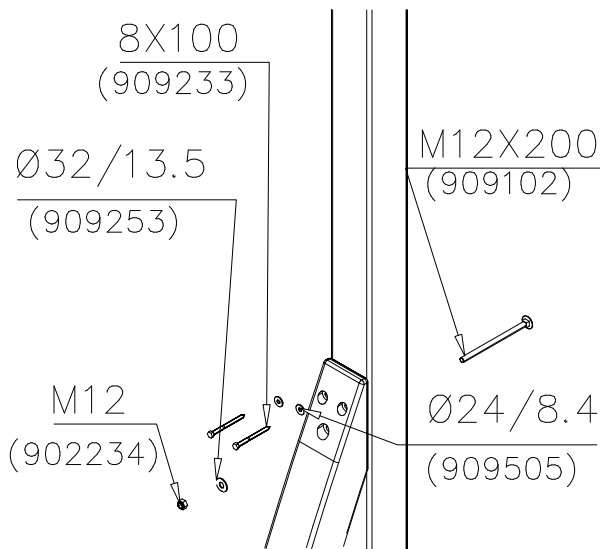
DET 13



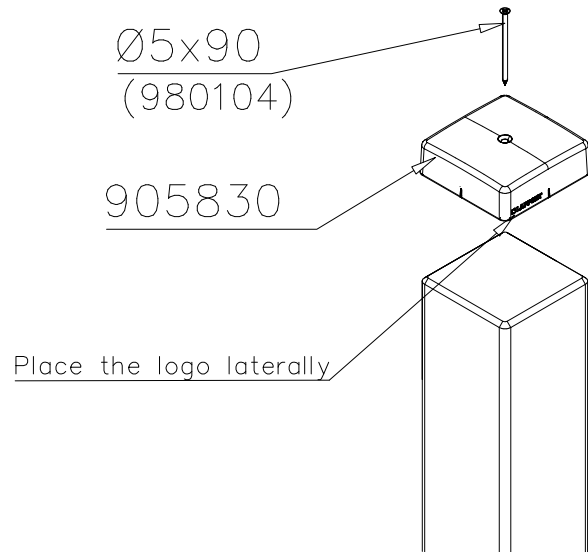
DET 14



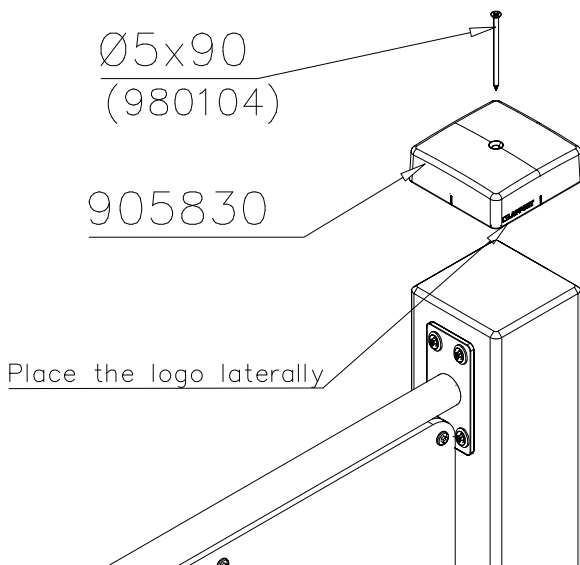
DET 15



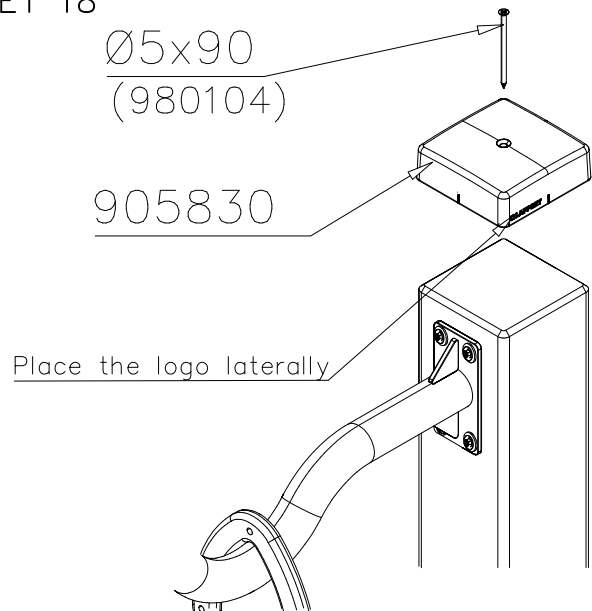
DET 16

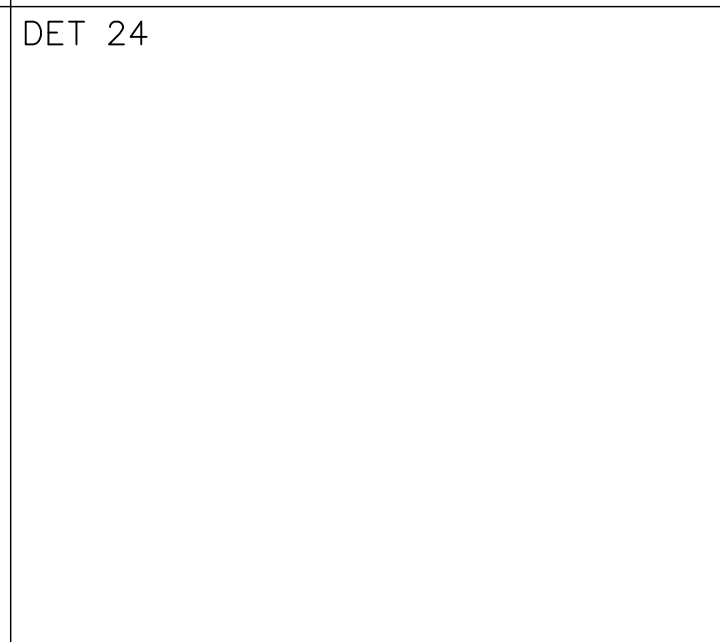
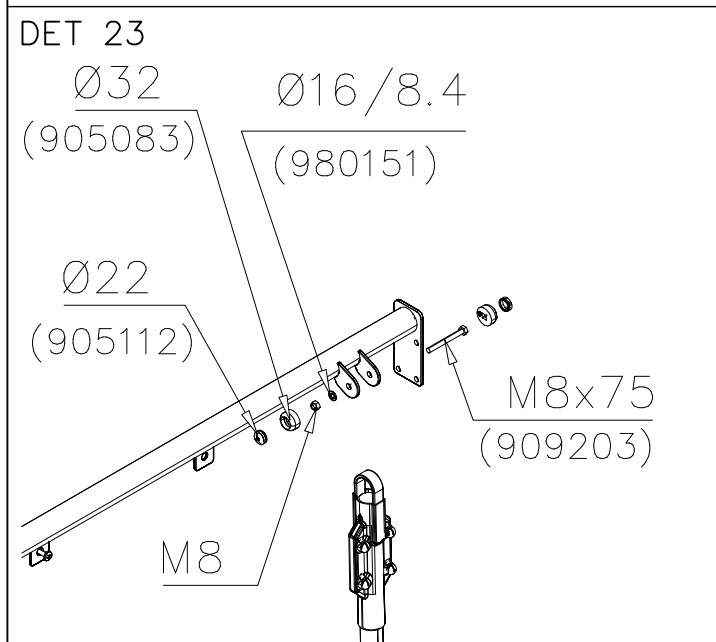
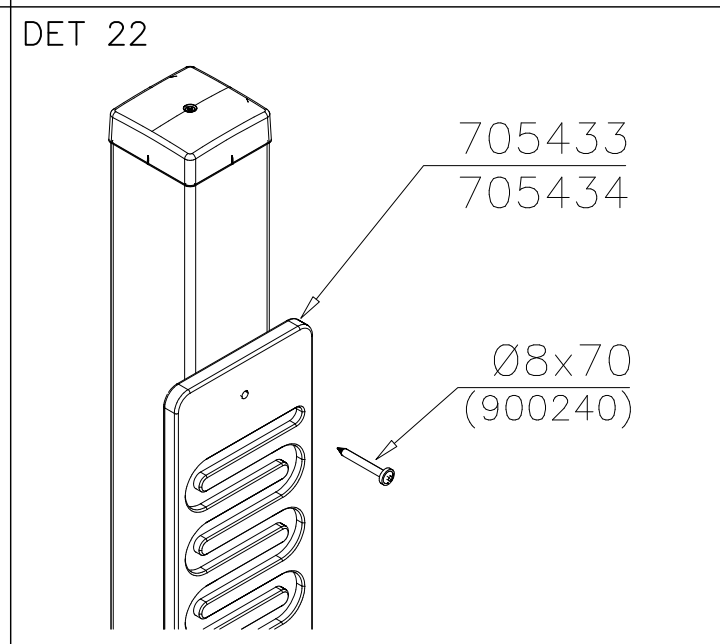
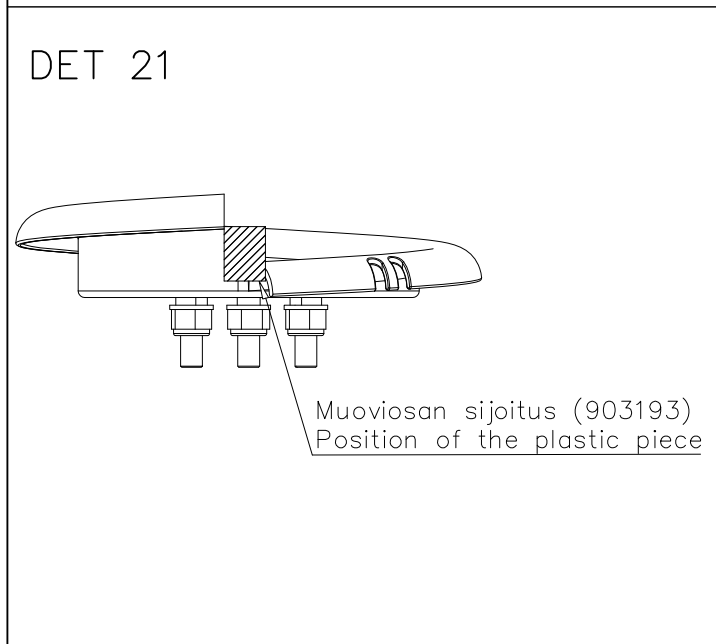
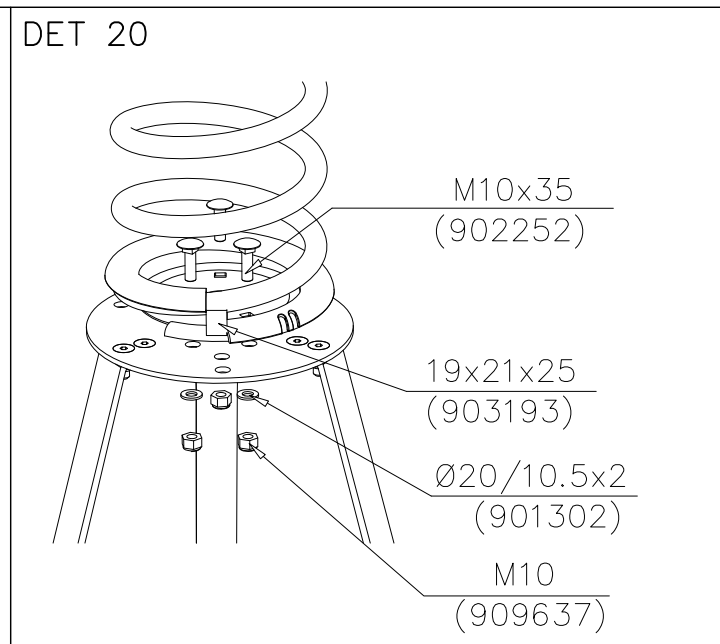
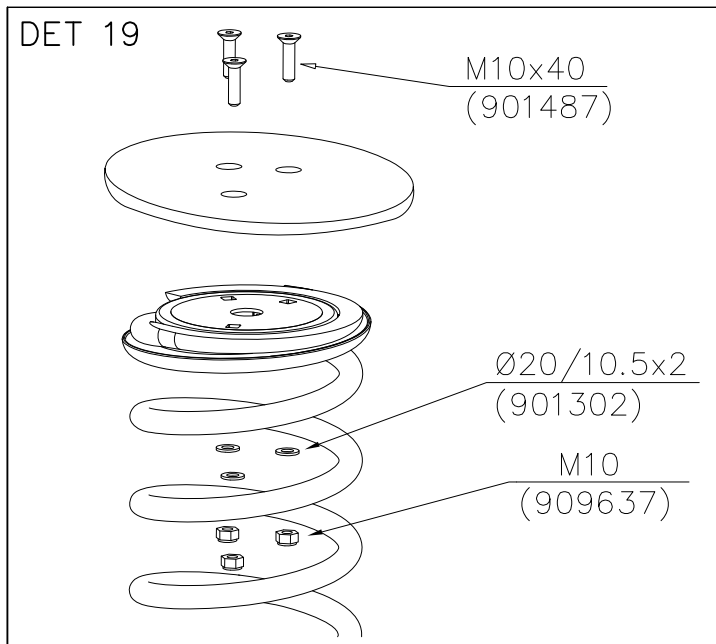


DET 17



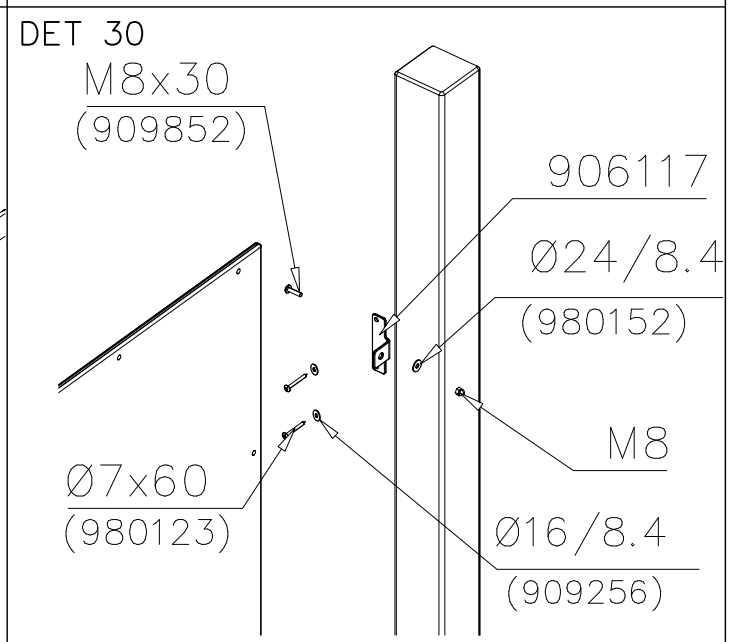
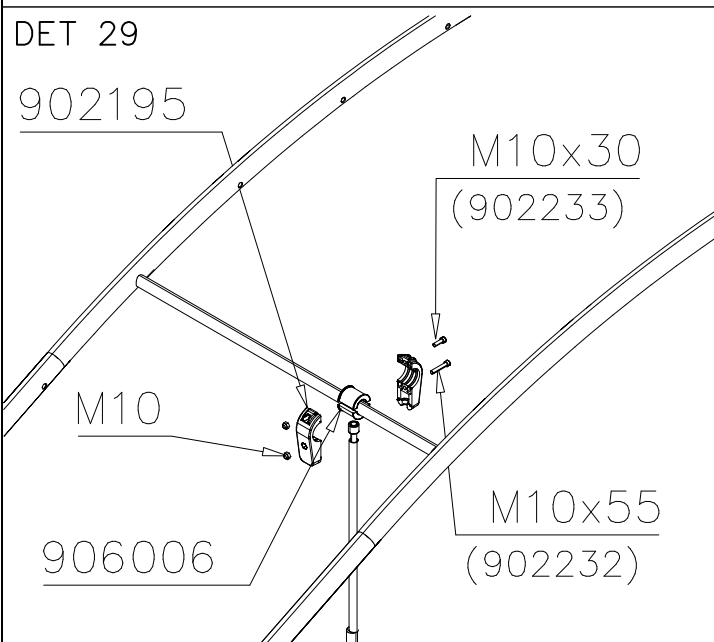
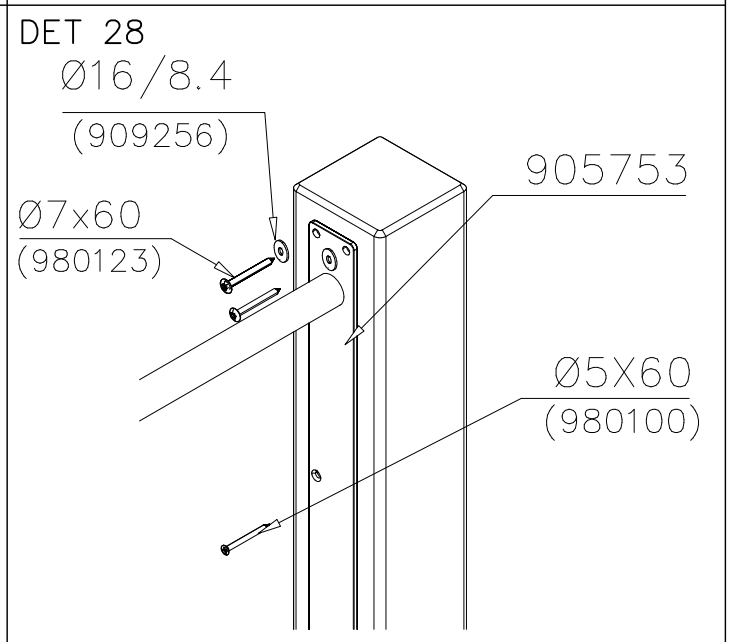
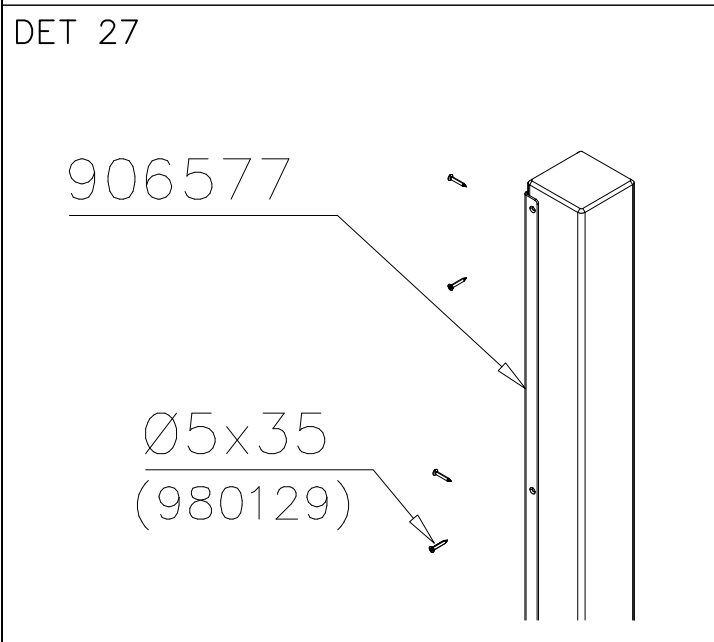
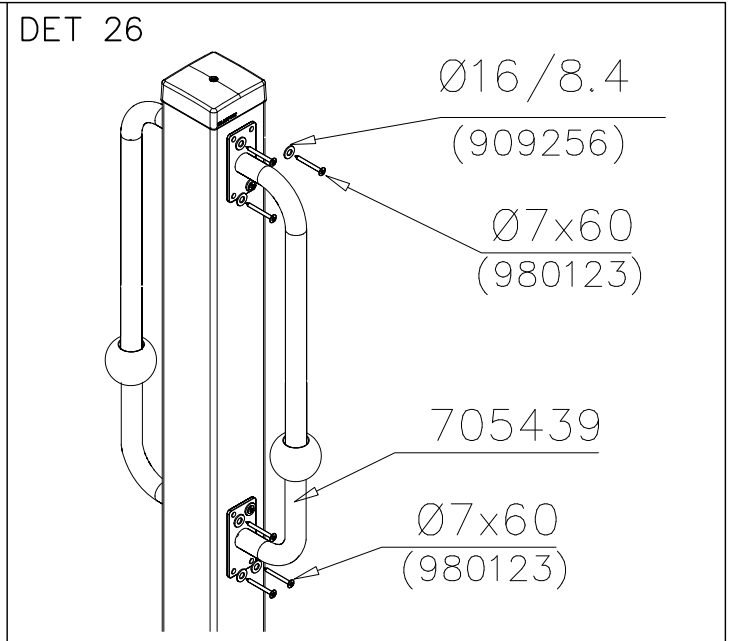
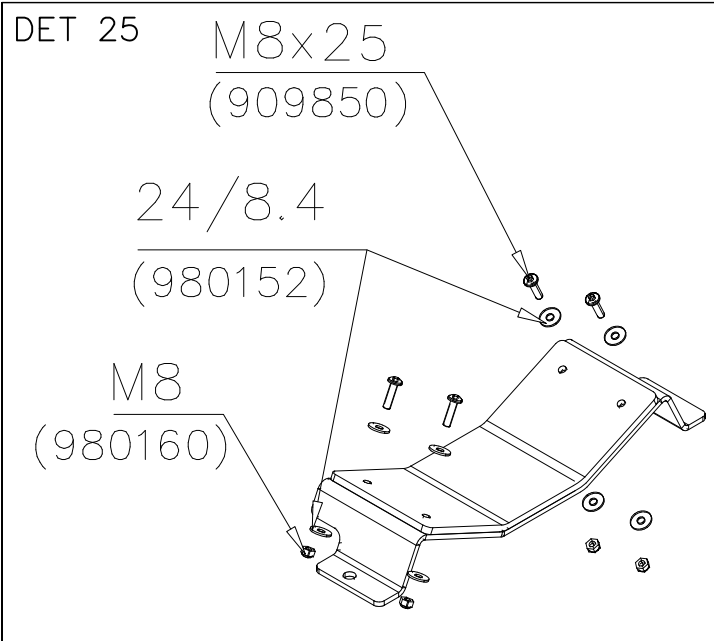
DET 18



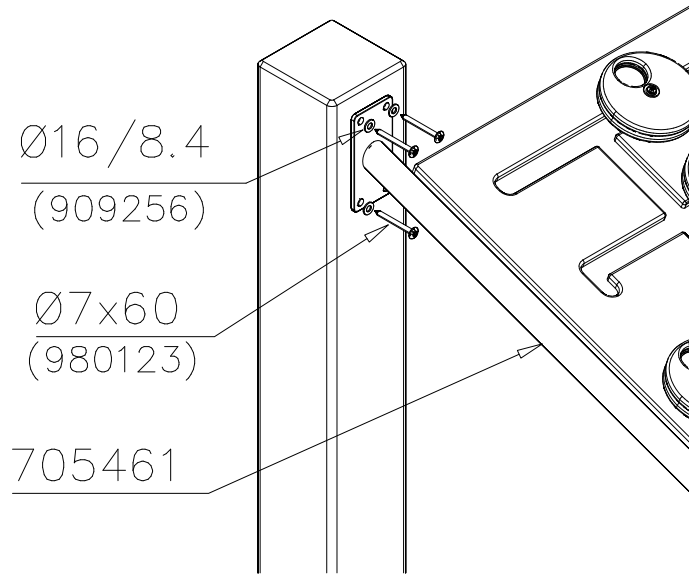


SPORT

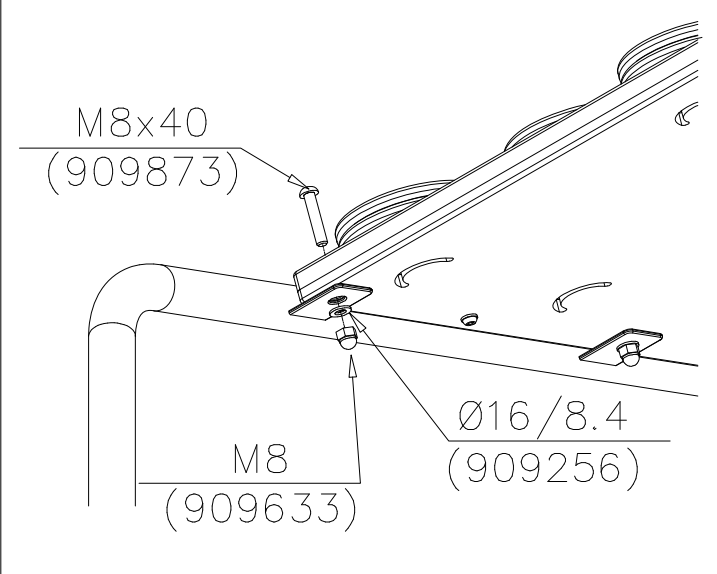
DATE: 26.8.2015



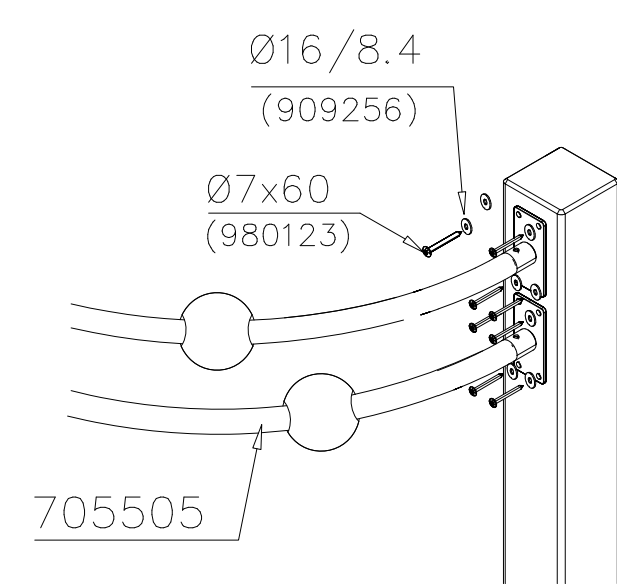
DET 31



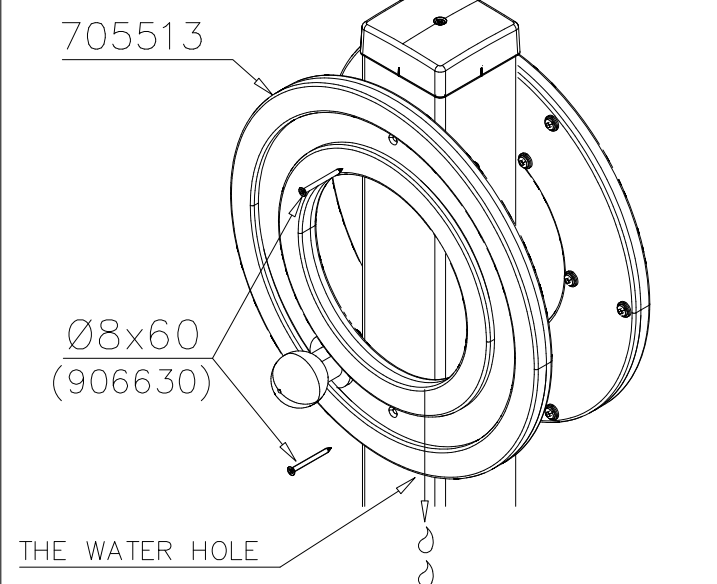
DET 32



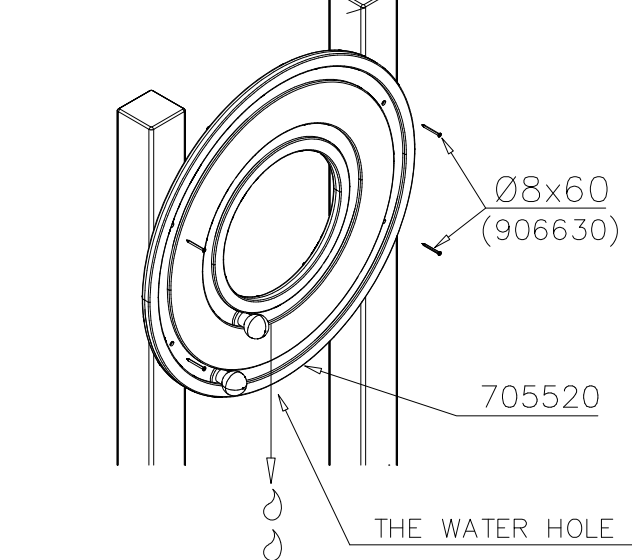
DET 33



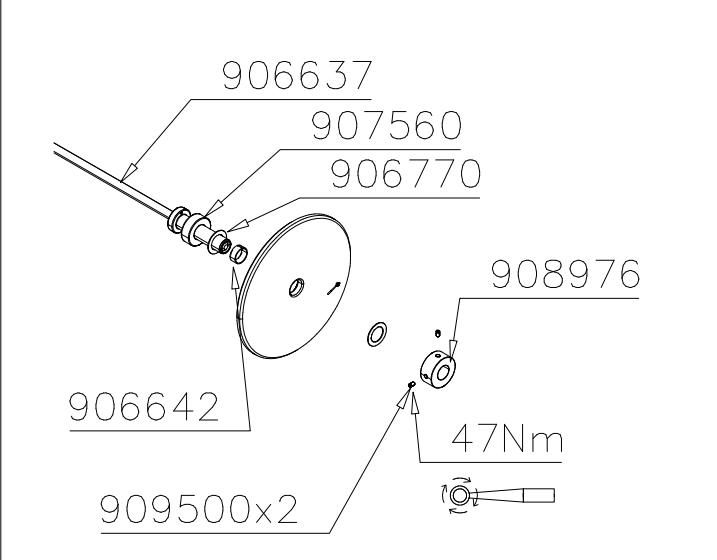
DET 34

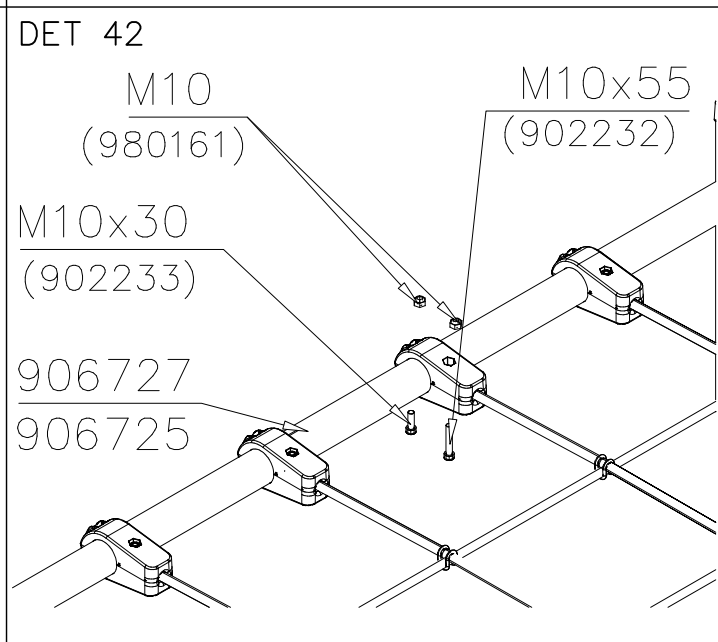
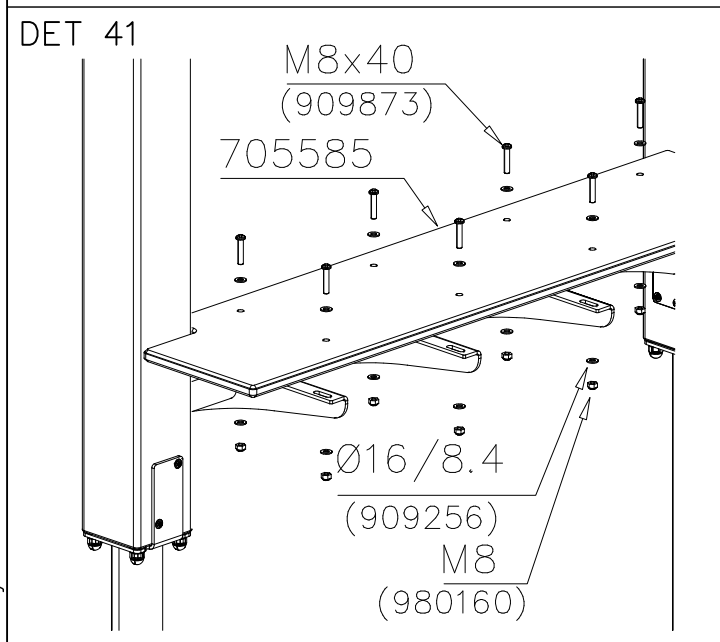
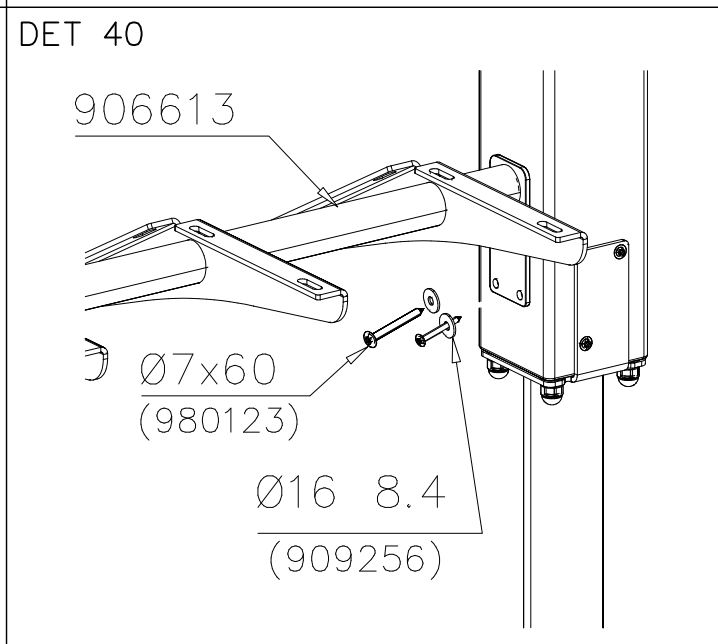
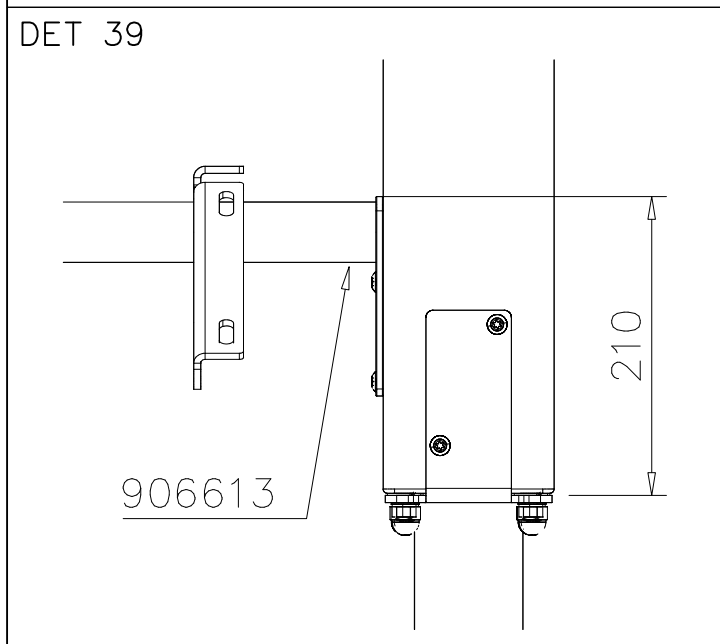
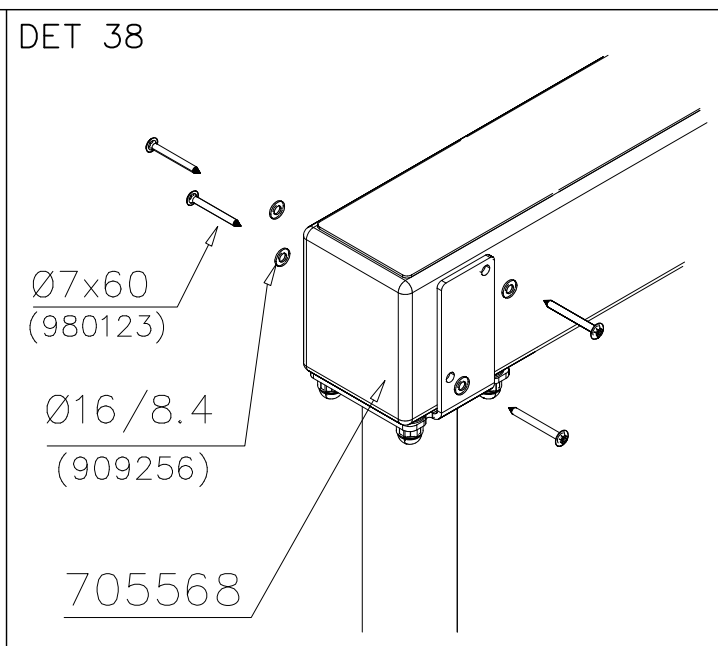
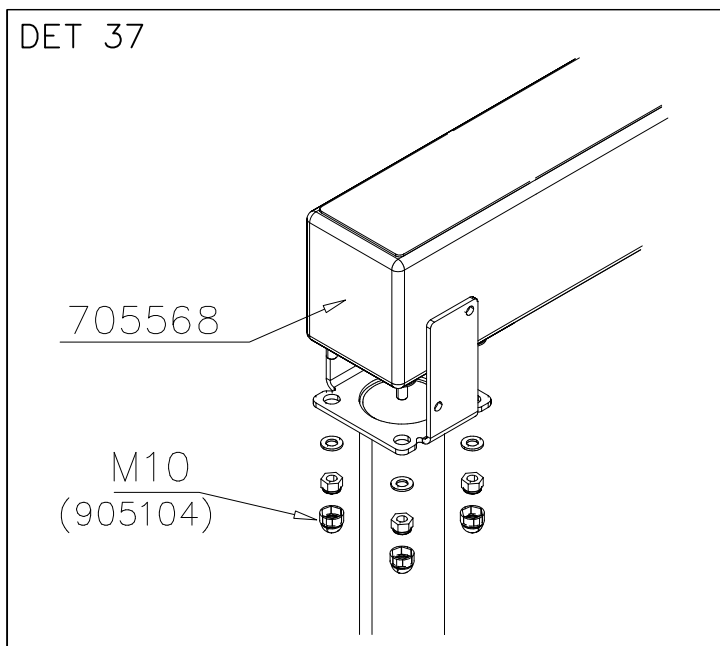


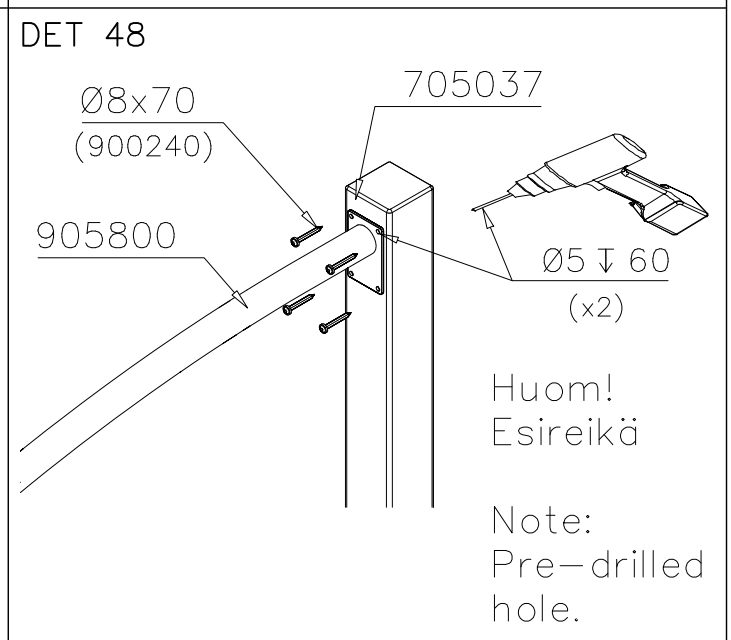
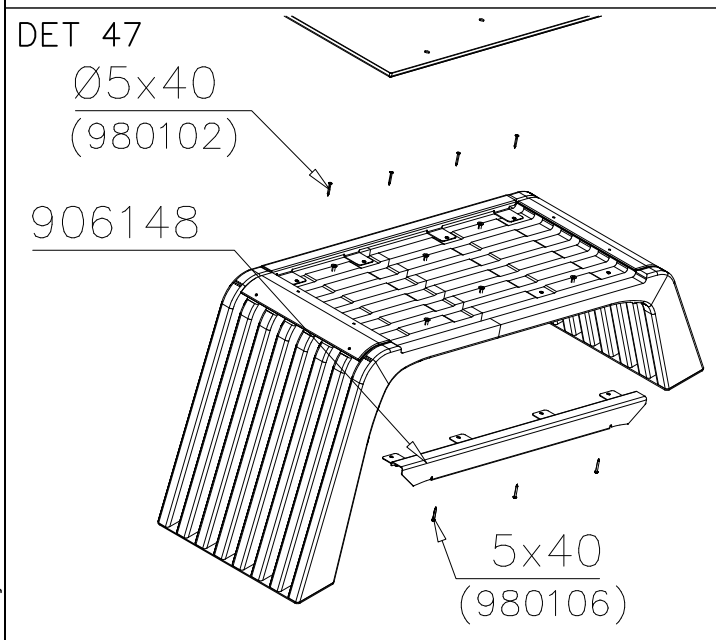
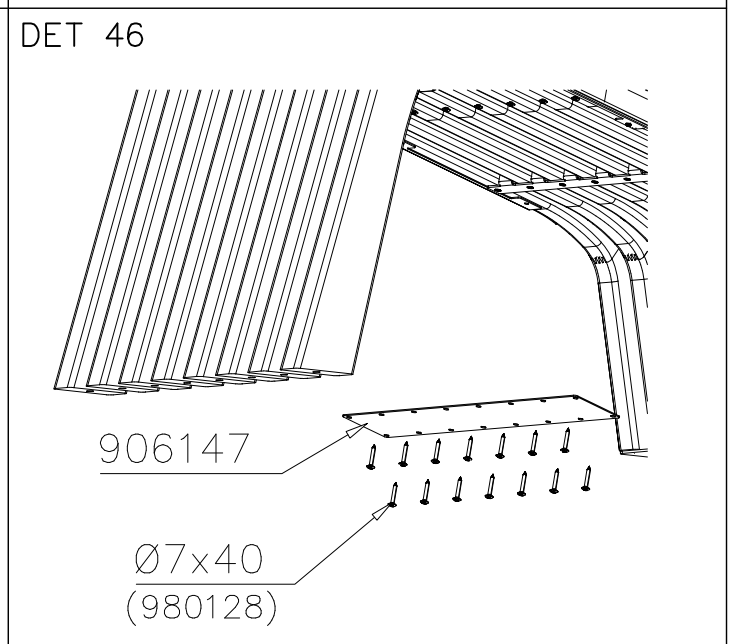
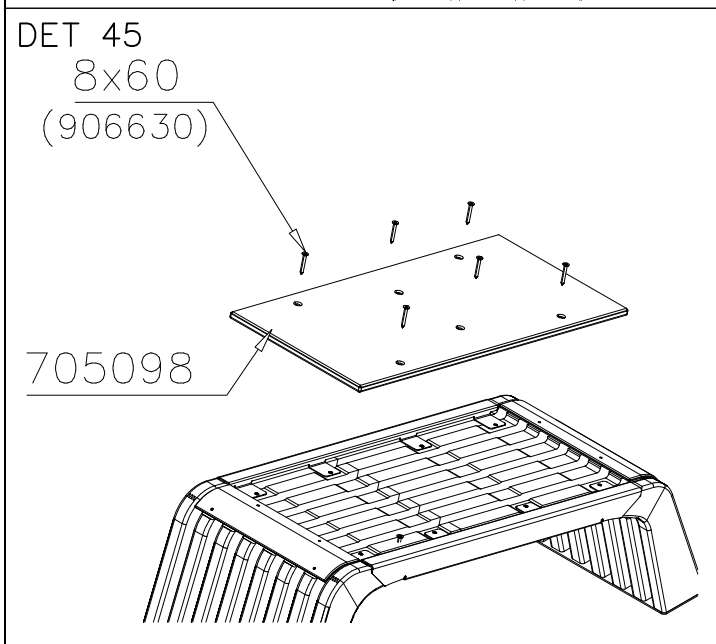
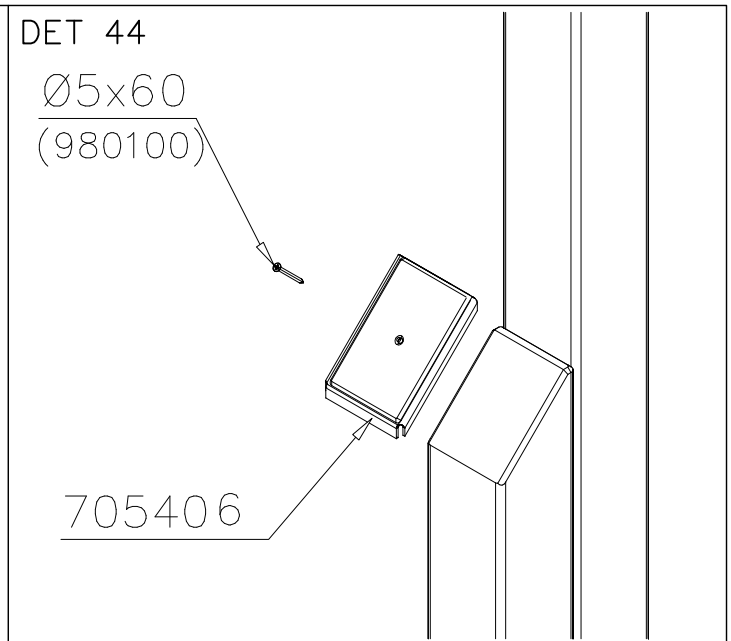
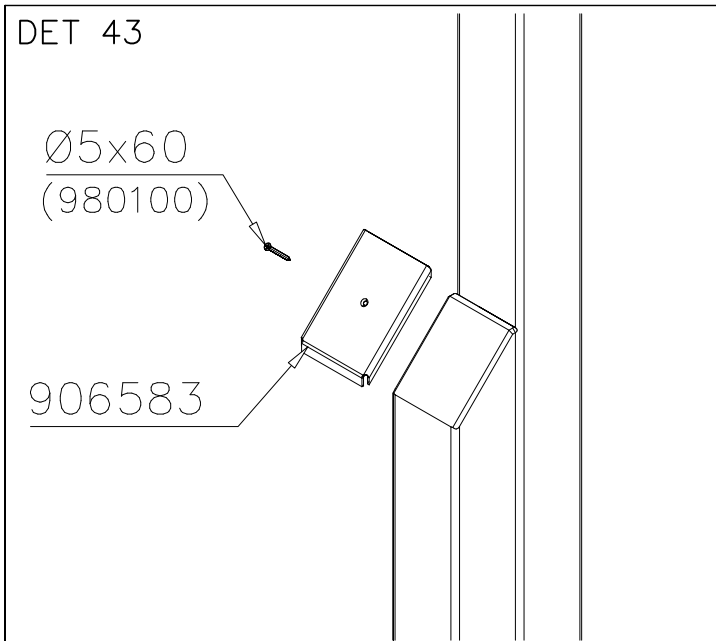
DET 35



DET 36

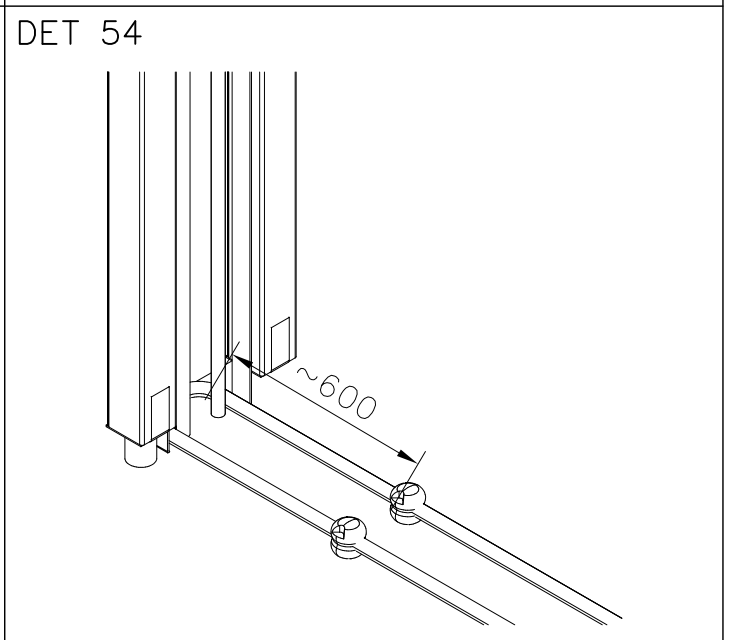
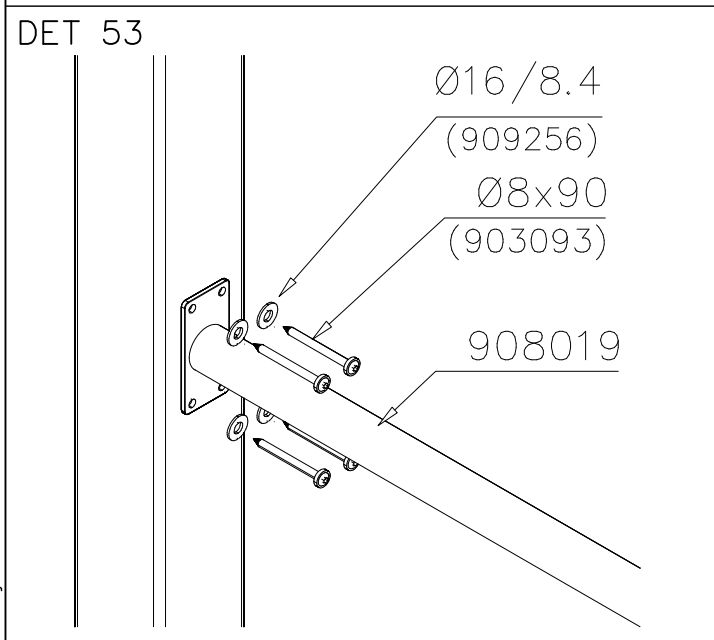
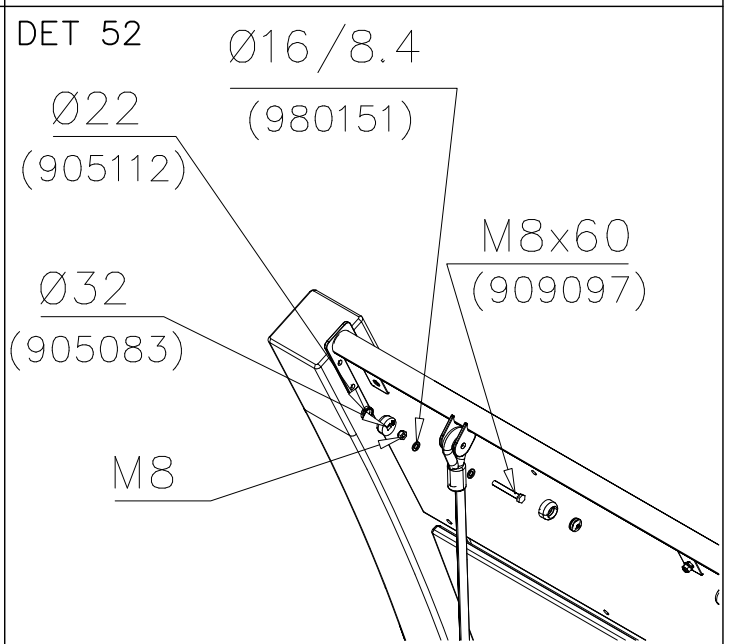
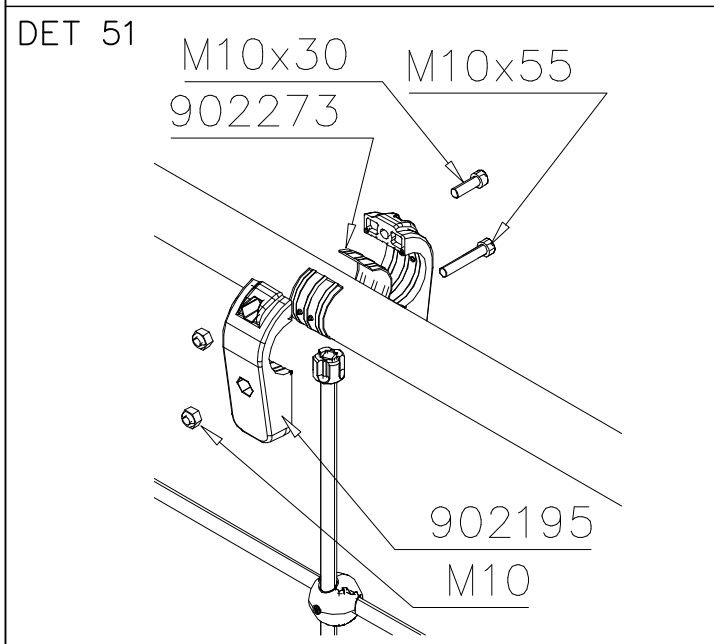
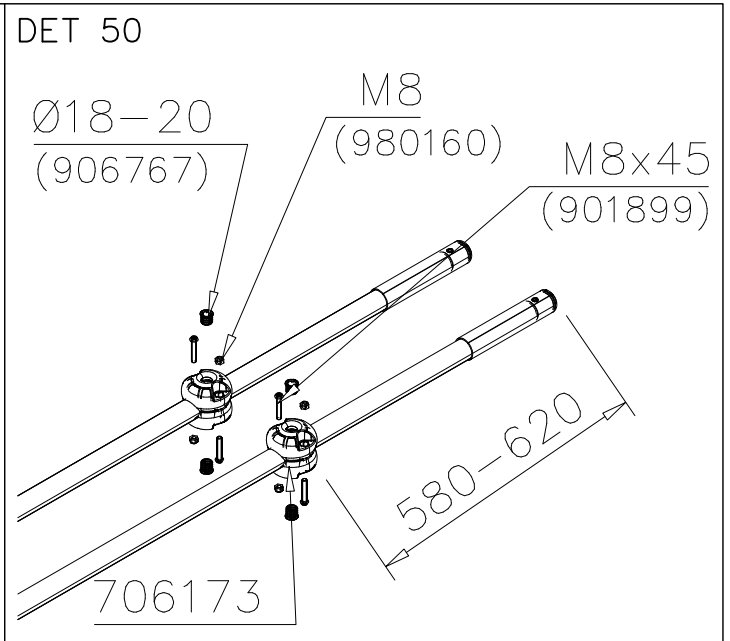
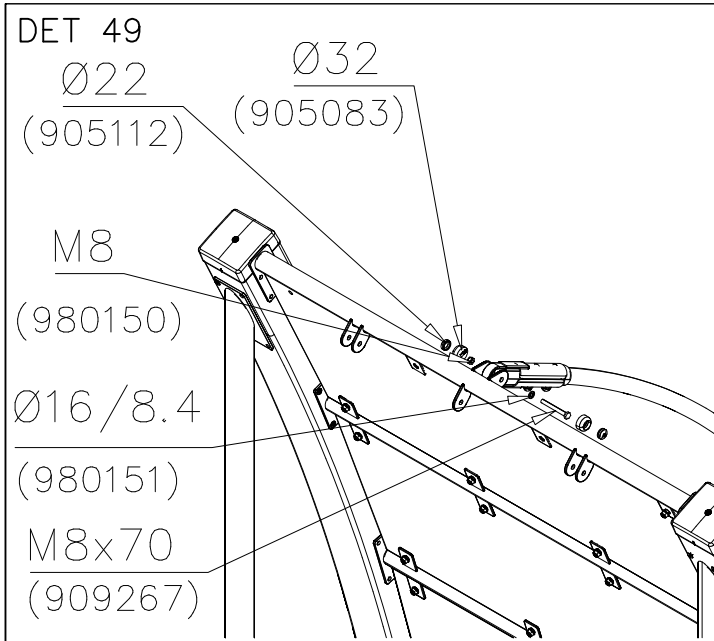




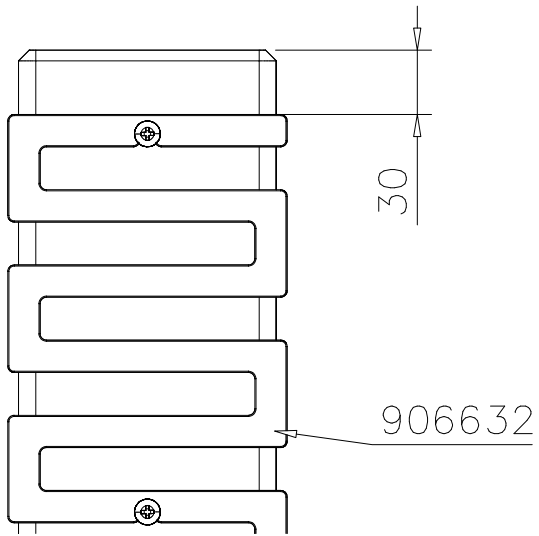


SPORT

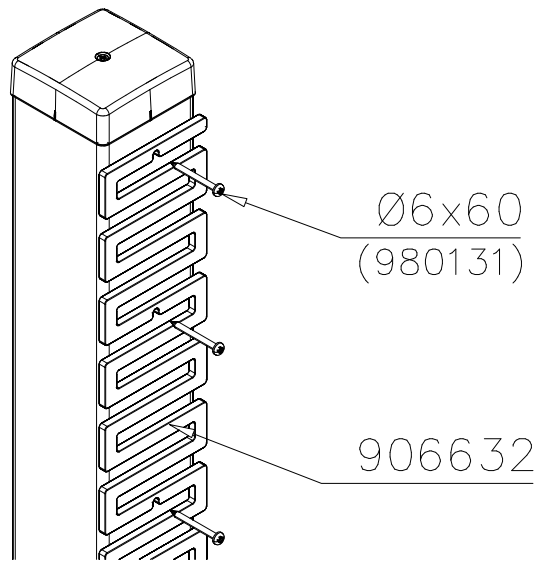
DATE: 26.8.2015



DET 55



DET 56

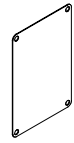



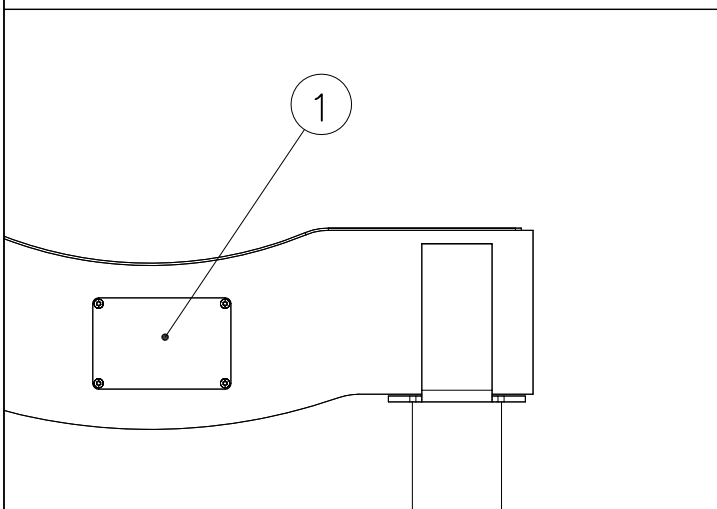
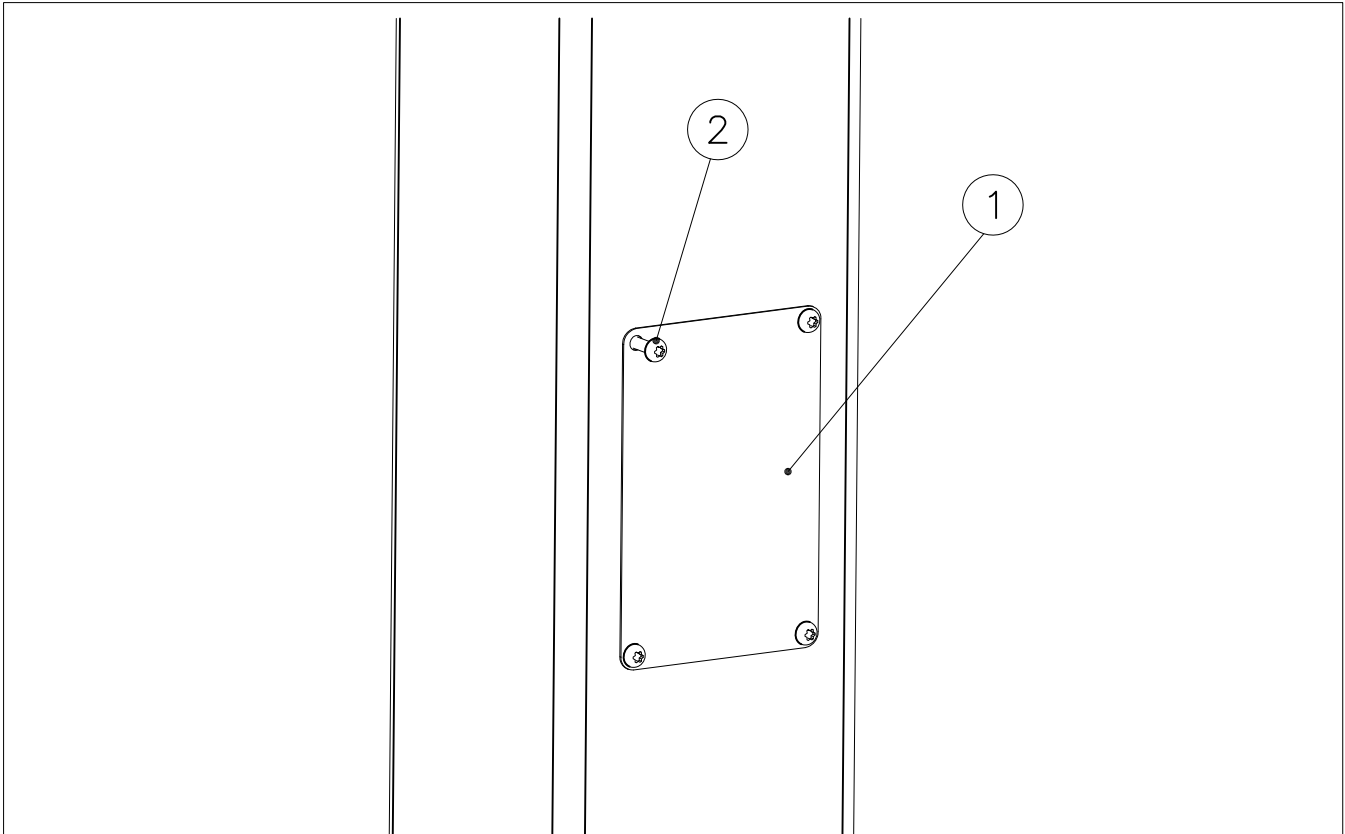
DET 57

DET 58

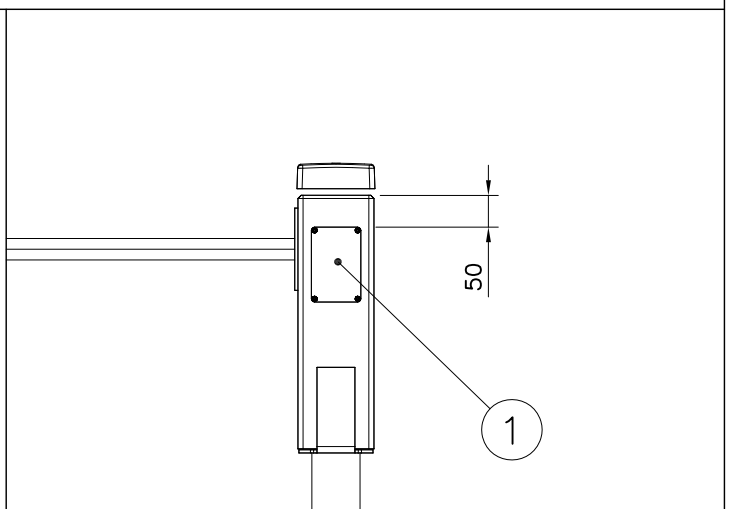
DET 59

DET 60

①	SHEET METAL	PCS	②	980114	PCS
		1			4
	118x78x0.7		Ø4x20		



Example installation !
Esimerkki asennus !



Example installation !
Esimerkki asennus !

