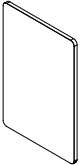
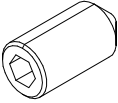





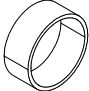
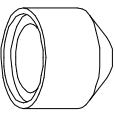
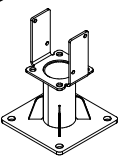


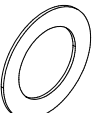
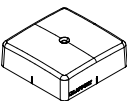


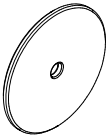
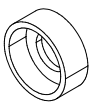
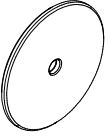
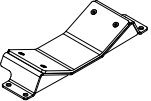


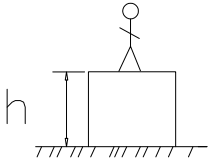



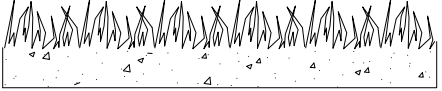
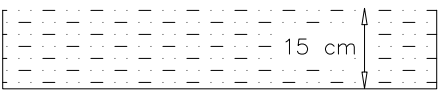
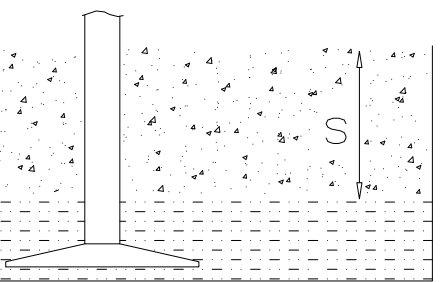
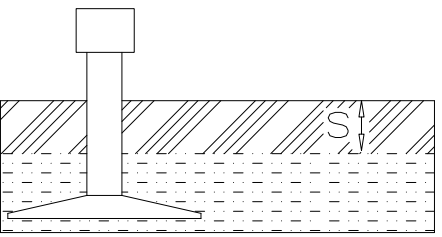
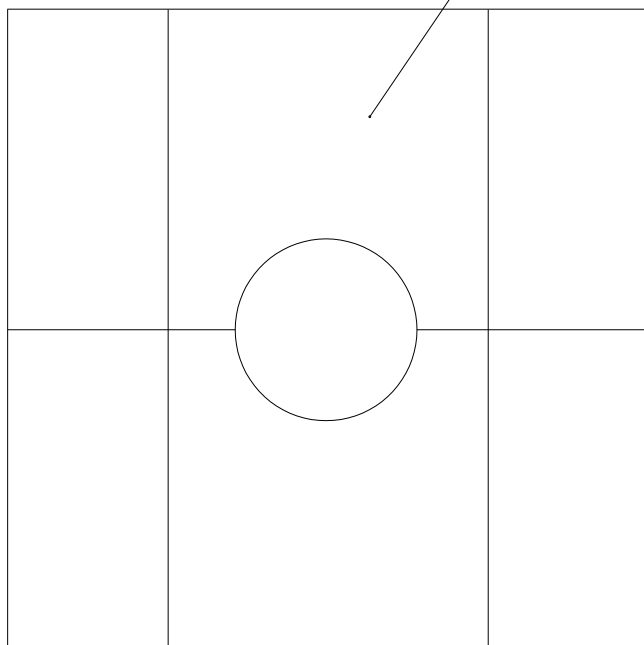


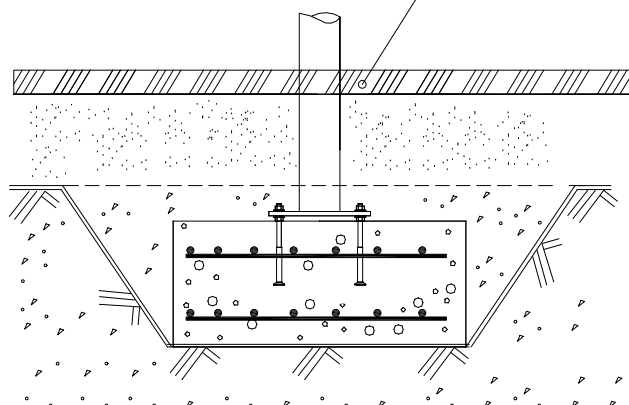
① 706035	PCS 1	② 909500	PCS 4	⑬ 980104	PCS 2	⑭ 980123	PCS 16
		 M10x20		 Ø5x90		 Ø7x60	
③ 980114	PCS 4	④ 904450	PCS 8	⑮ 909256	PCS 16	⑯ 906642	PCS 10
 Ø4x20		 M16x170		 Ø16/8.4		 Ø50/45x20	
⑤ 905104	PCS 8	⑥ 905780	PCS 2	⑰ 980129	PCS 12	⑱ 705018	PCS 2
 M10		 120x120x150		 Ø5x35		 120x120x1170	
⑦ 906770	PCS 4	⑧ 905830	PCS 2	⑳ 906734	PCS 2	㉑ 906736	PCS 2
 Ø74/48x2		 123x123x40		 1226X386X60		 30x30x3x920	
⑨ 906637	PCS 1	⑩ 906596	PCS 2	㉒ 907560	PCS 2		PCS
 L=1720		 Ø450 15kg		 Ø90/46-33			
⑪ 906600	PCS 2	⑫ 705542	PCS 2				
 Ø450 10kg							
⑬ 908976	PCS 2	⑭ 909628	PCS 16				
 Ø98/45x44	12	 M10x100					
	PCS		PCS				

		
<p>$h < 600$</p> <p>Without movement and therefore without Impact Area</p>	<p>Totally hard surfaces.</p> <p>Note. Lappset does <u>not recommend</u> totally hard surfaces at all.</p>	<p>E.g. concrete or asphalt</p> 
<p>$h < 600$</p> <p>With movement e.g. rocking</p>	<p>Materials with very limited impact attenuating properties.</p>	<p>E.g. wood</p> 
<p>$h < 1000$</p>	<p>Materials with significant impact attenuating properties.</p>	<p>fine gravel 0–8 mm</p>  <p>grass</p>  <p>unsorted sand</p> 
<p>$h < 3000$</p>	<p>Loose fill material</p> <p>E.g. sand/gravel 0,25...8 mm D60/D10<3,0 Woodchips 5...30 mm bark 20...80 mm</p>	 <p>\underline{S} \underline{h}</p> <p>30 cm < 2,0 m</p> <p>40 cm < 3,0 m</p>
	<p>Syntethic granulates</p> <p>\underline{S} \underline{h}</p> <p>40 mm ~> 1,2...1,3 m</p> <p>50 mm ~> 1,5...1,7 m</p> <p>60 mm ~> 1,8...2,0 m</p> <p>70 mm ~> 2,1...2,5 m</p> <p>Note. For accurate values, see manufacturer's instructions.</p>	

REMOVE SAFETY SURFACE/SAND/GRAVEL
TO CHECK FOUNDATION

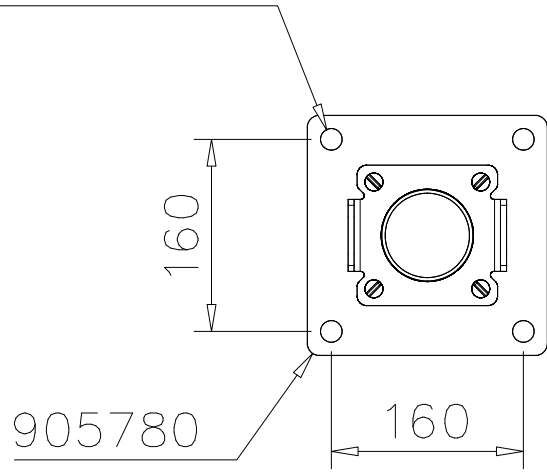


REMOVE SAFETY SURFACE/SAND/GRAVEL
TO CHECK FOUNDATION

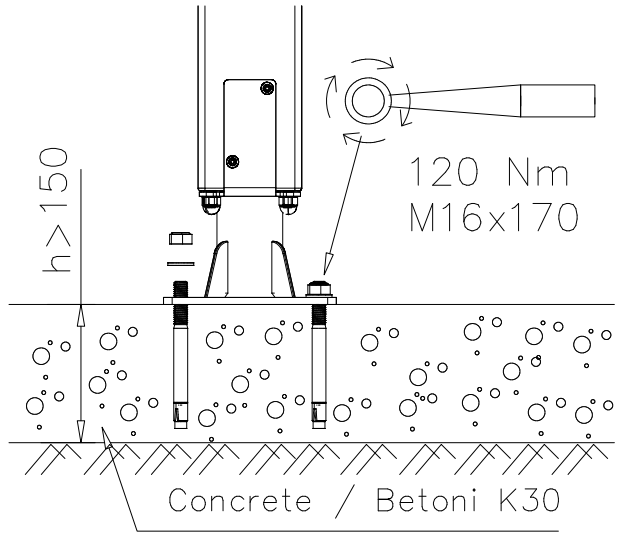


DET 1

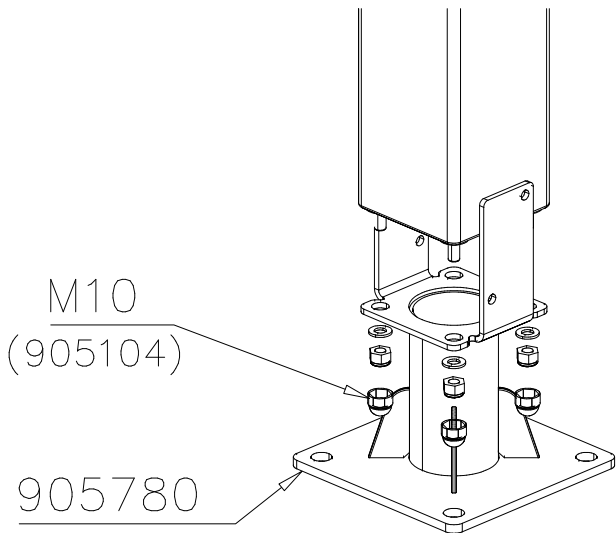
$\varnothing 16 \downarrow > 130$



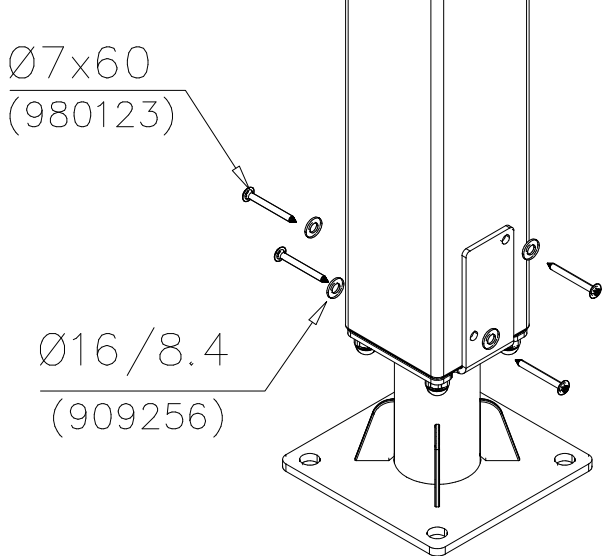
DET 2



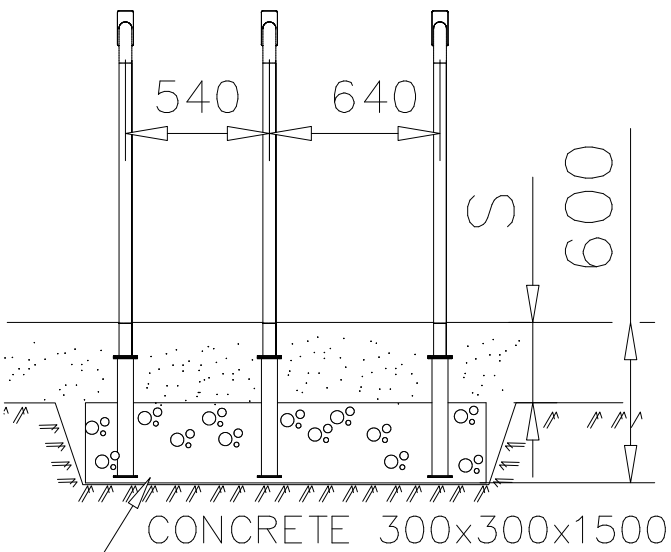
DET 3



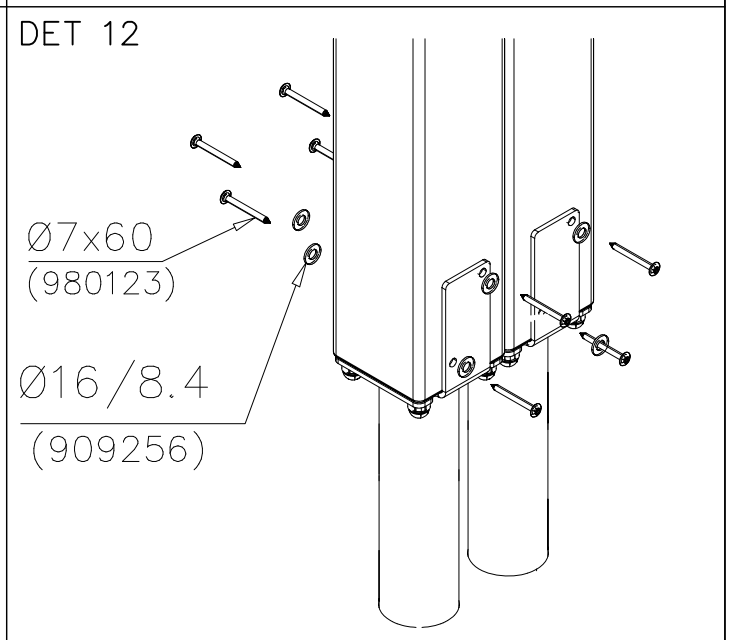
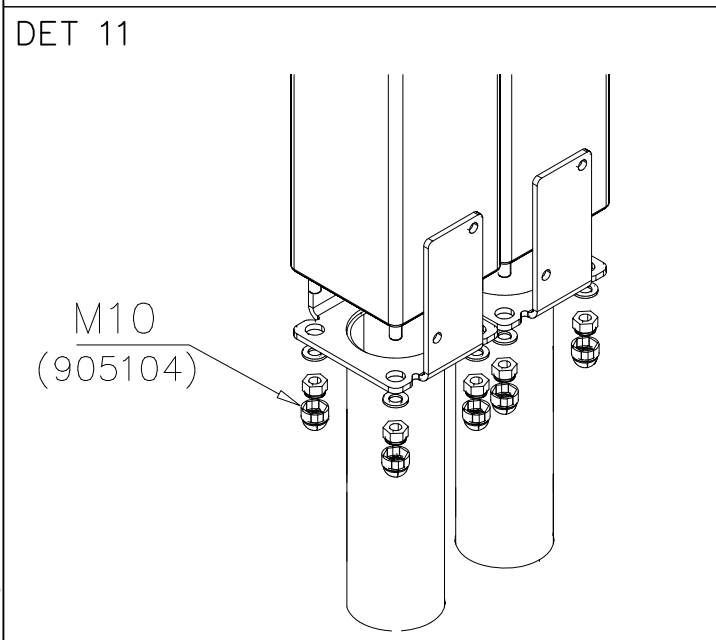
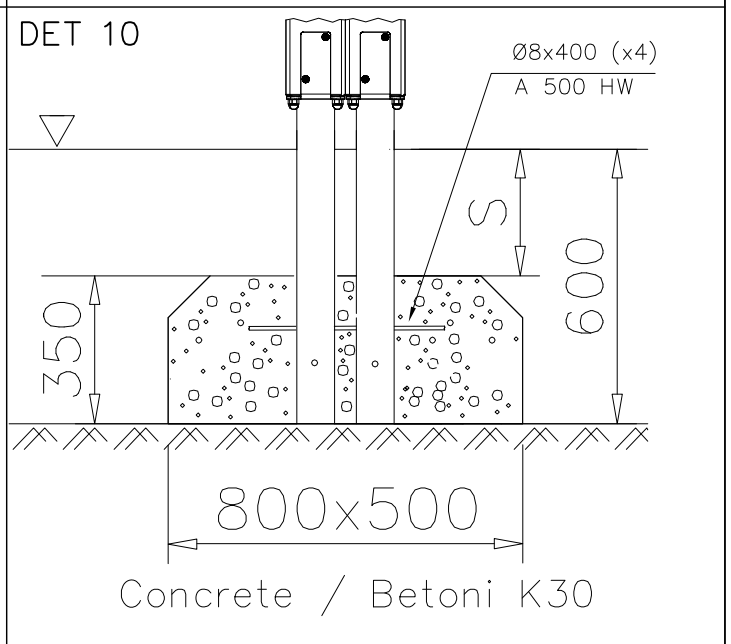
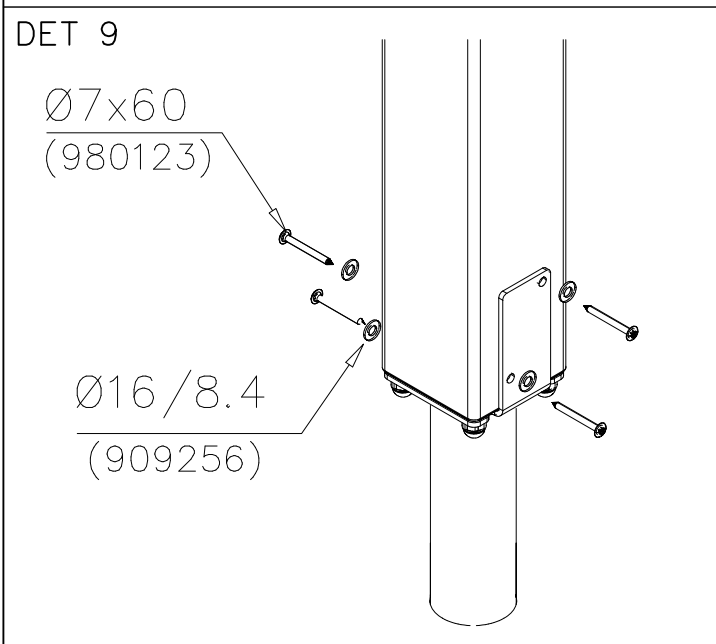
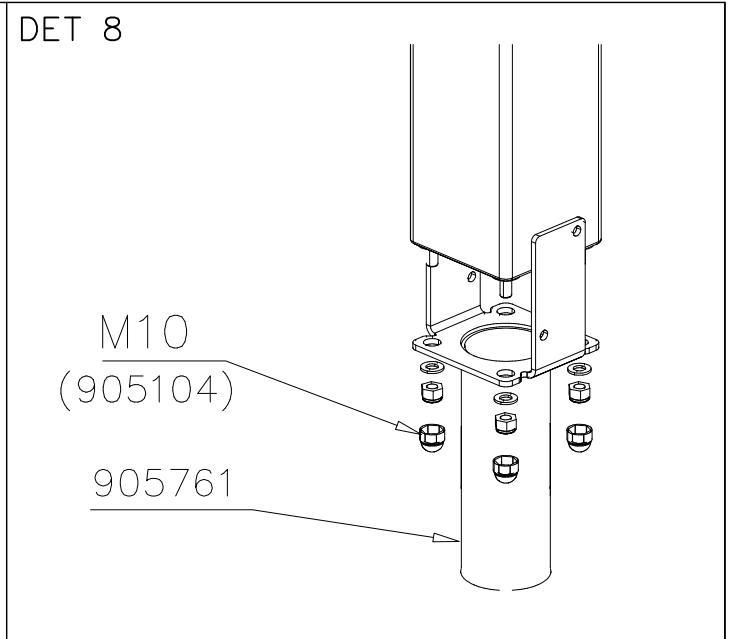
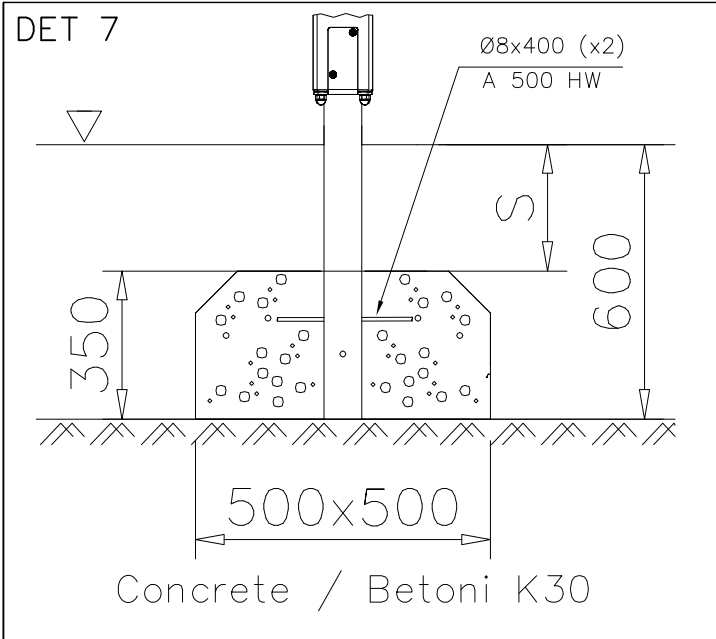
DET 4



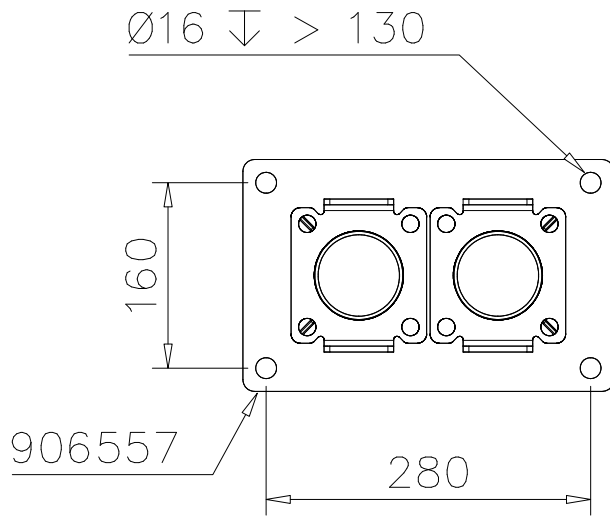
DET 5



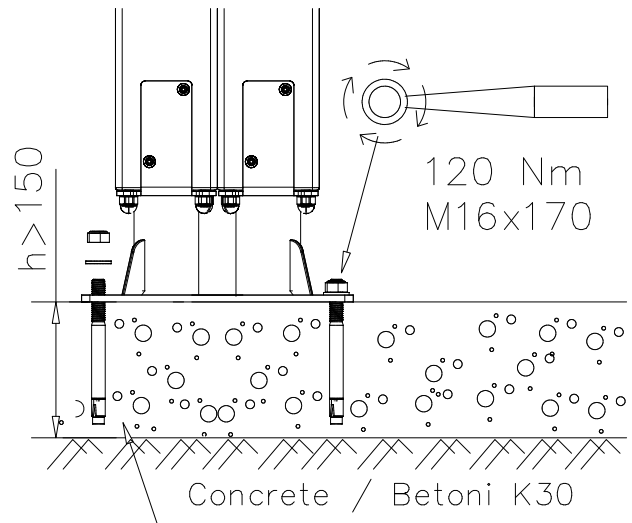
DET 6



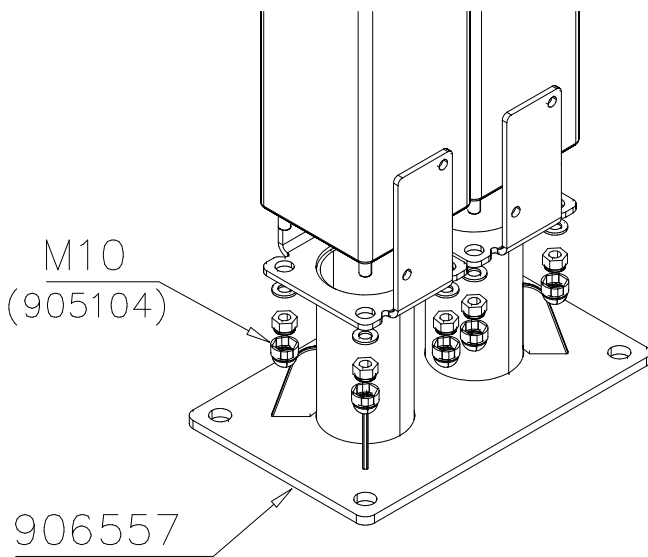
DET 13



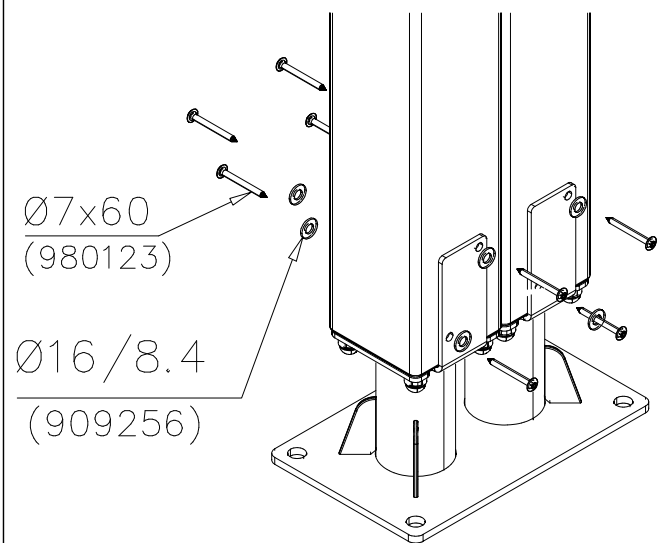
DET 14



DET 15

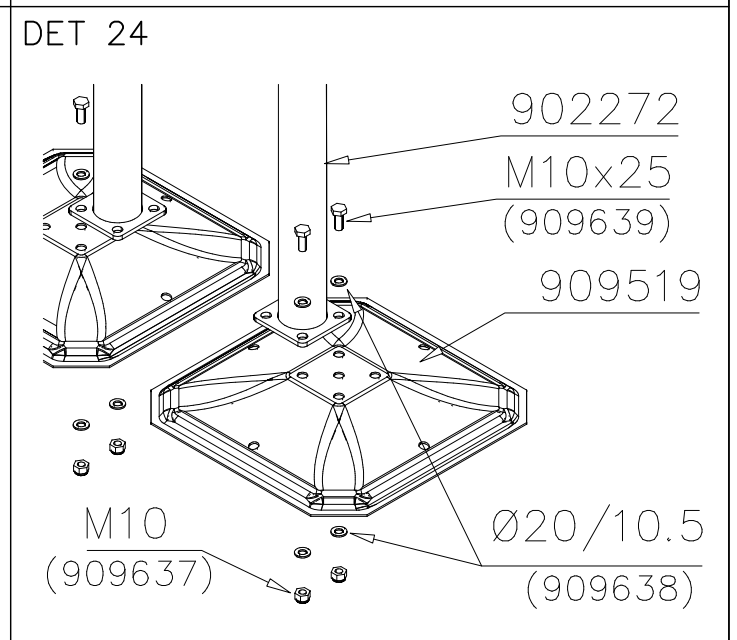
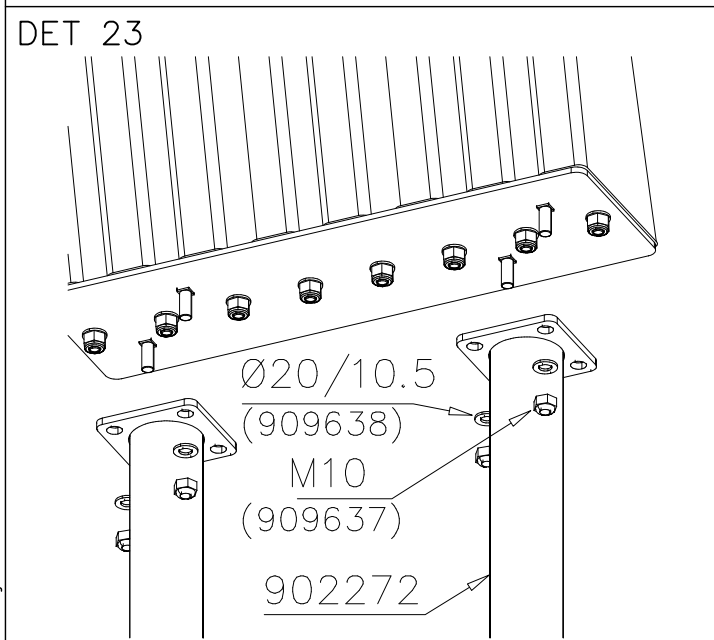
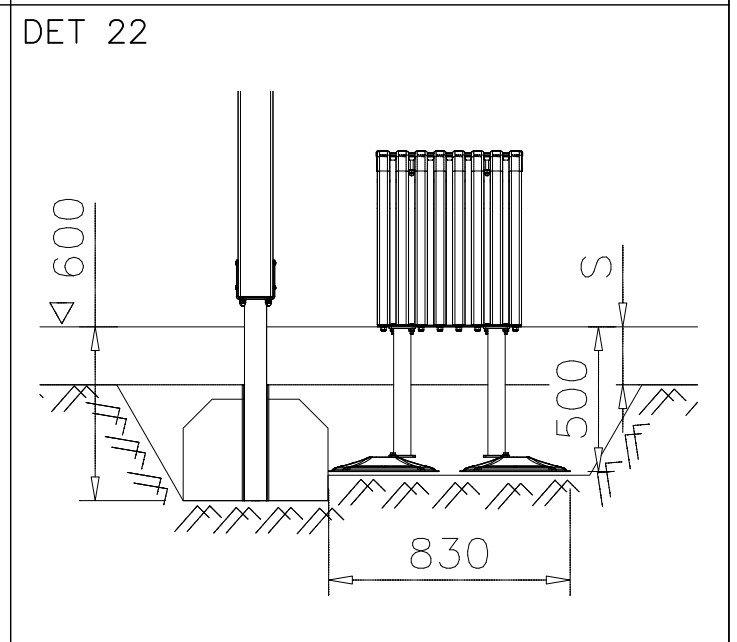
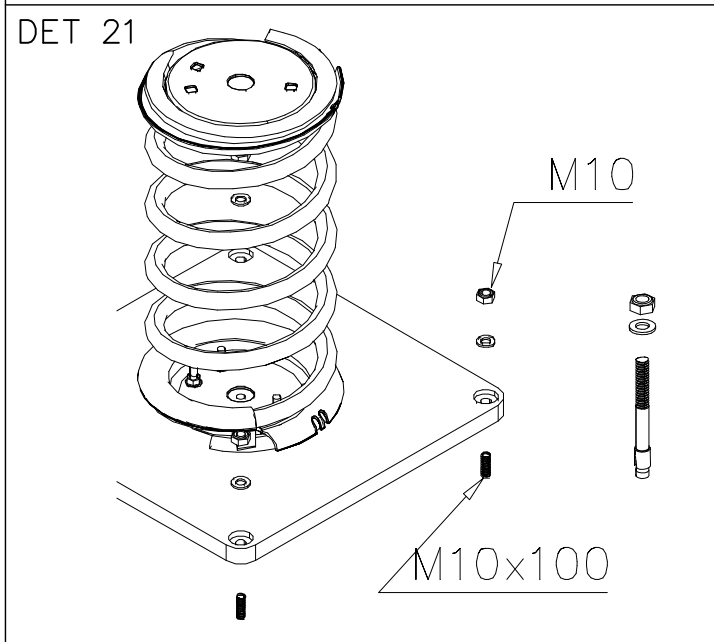
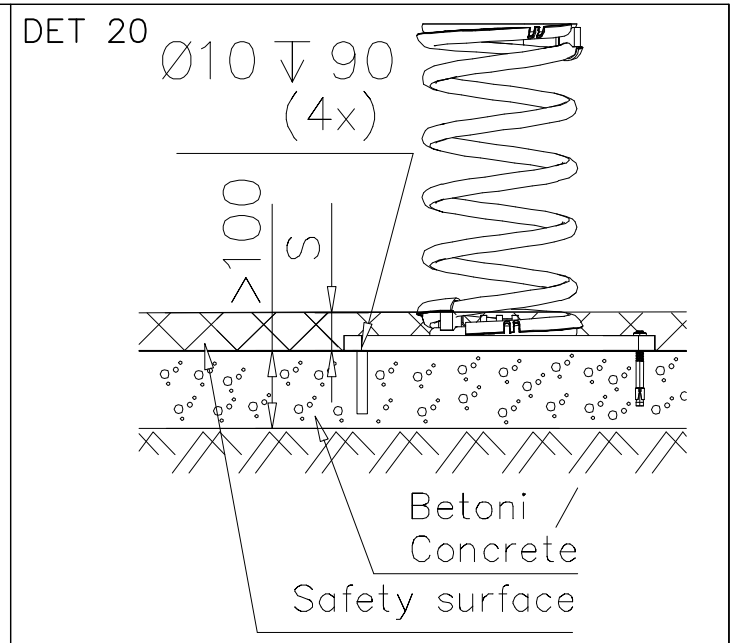
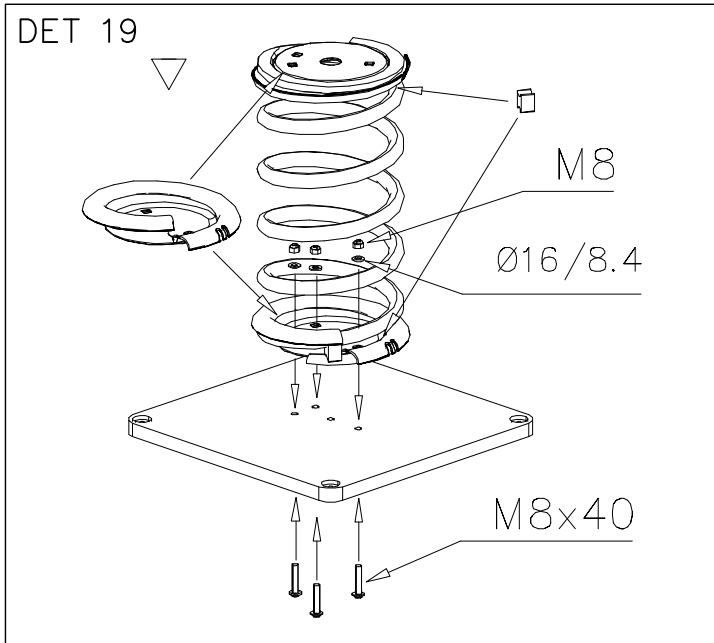


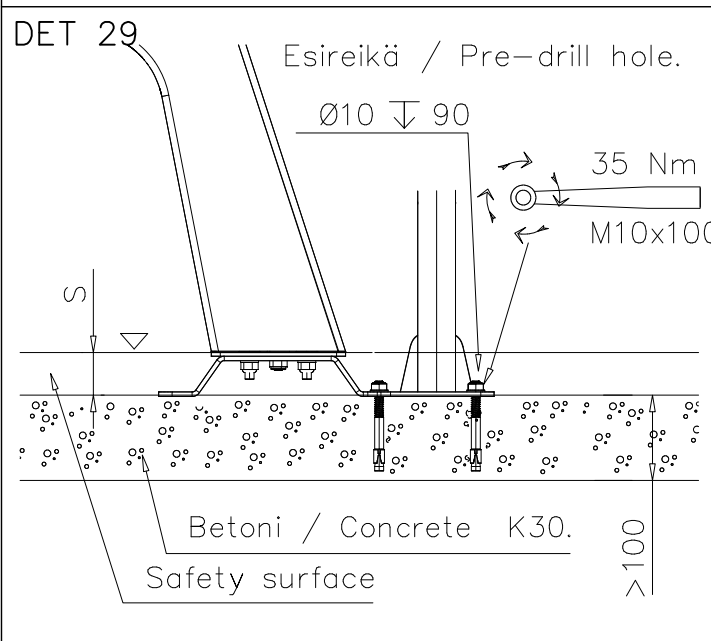
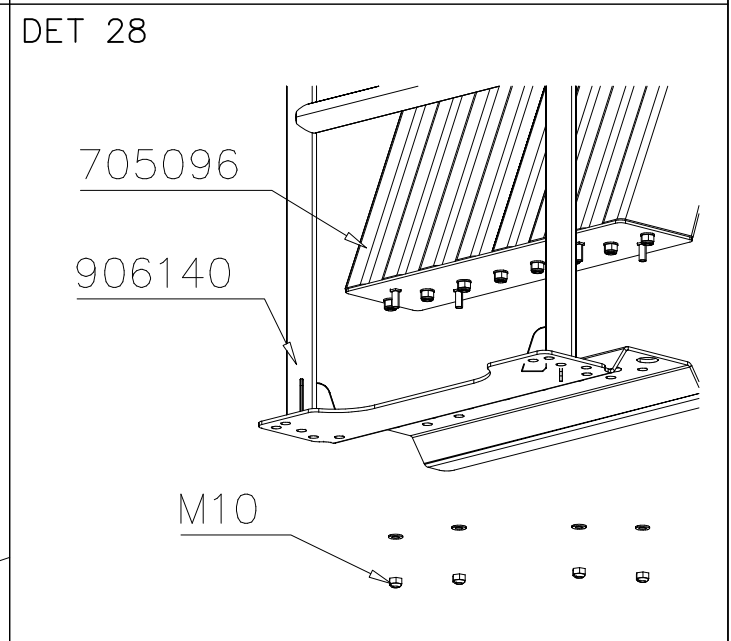
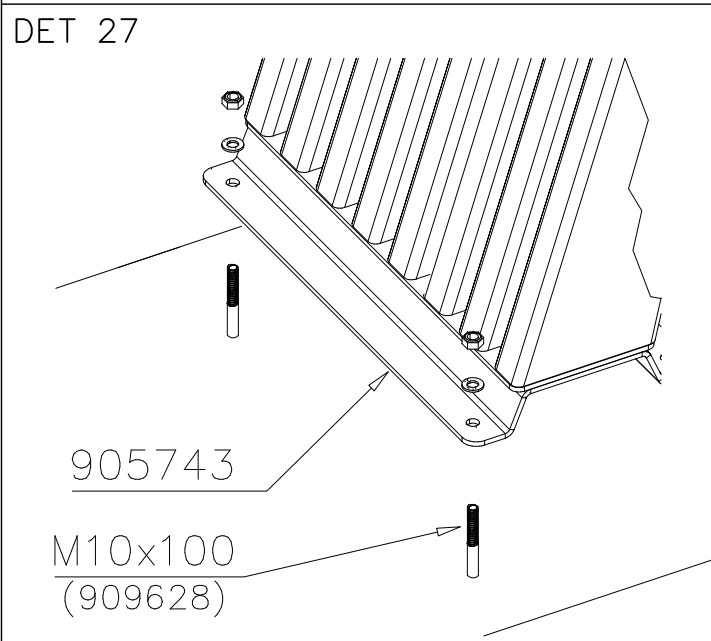
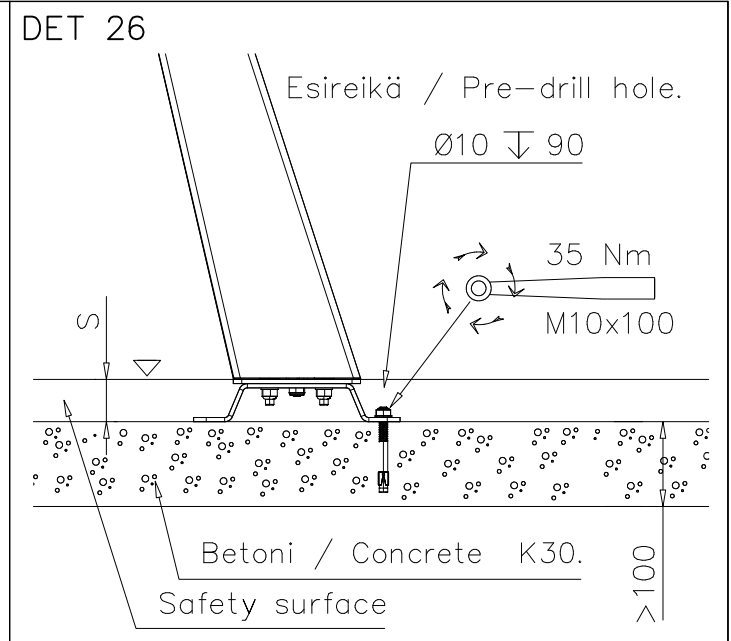
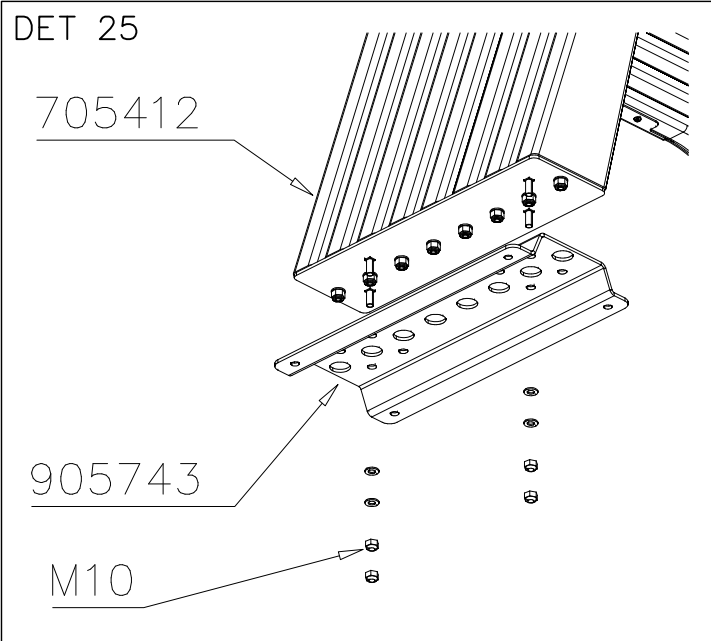
DET 16

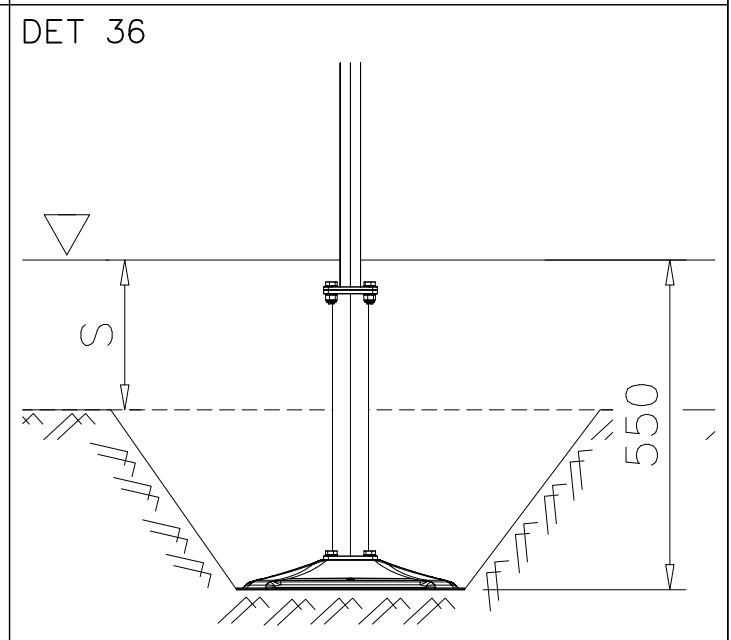
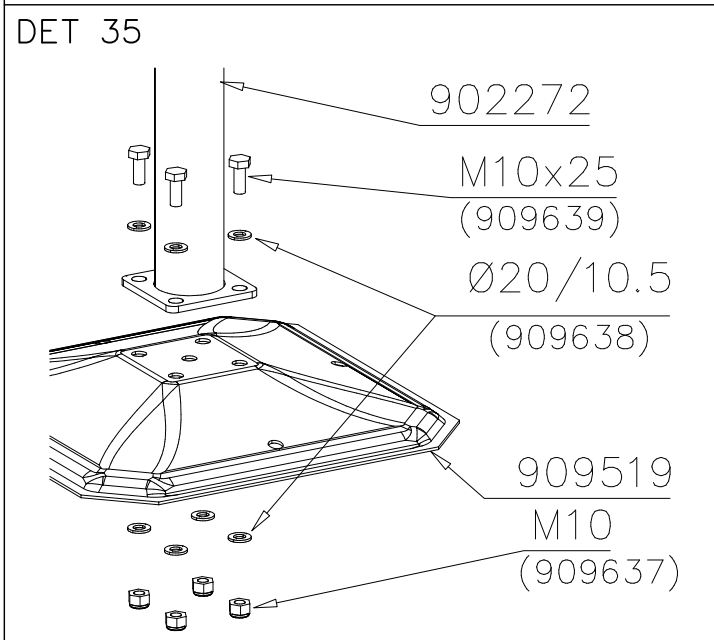
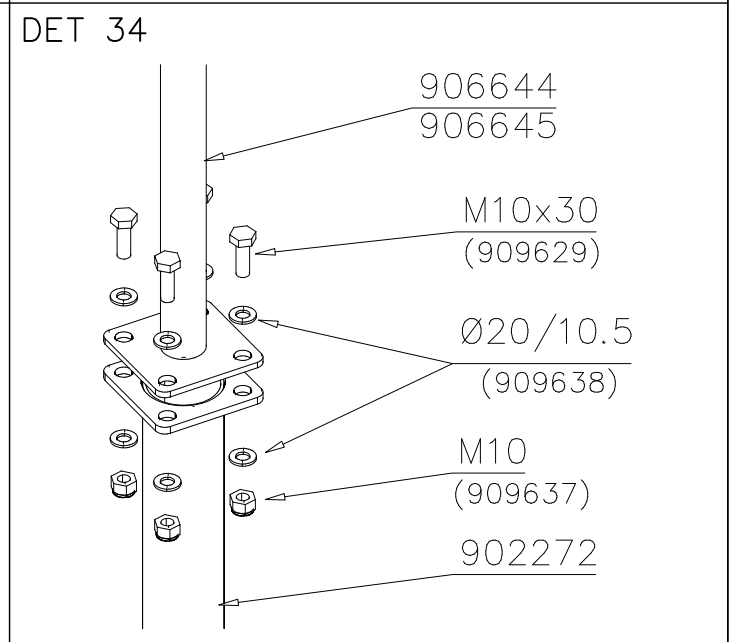
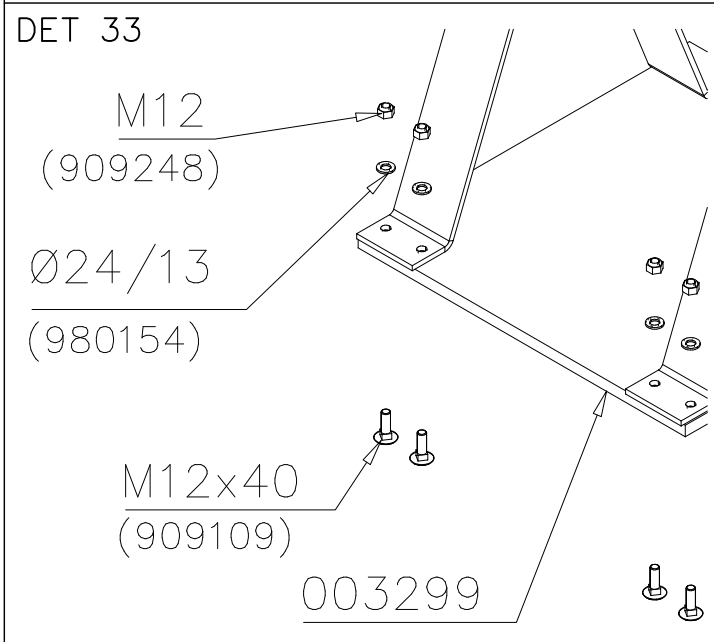
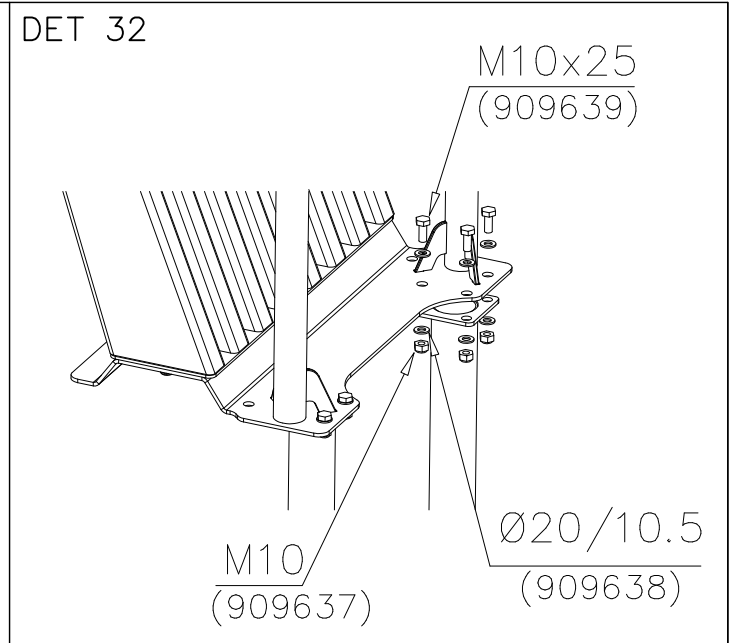
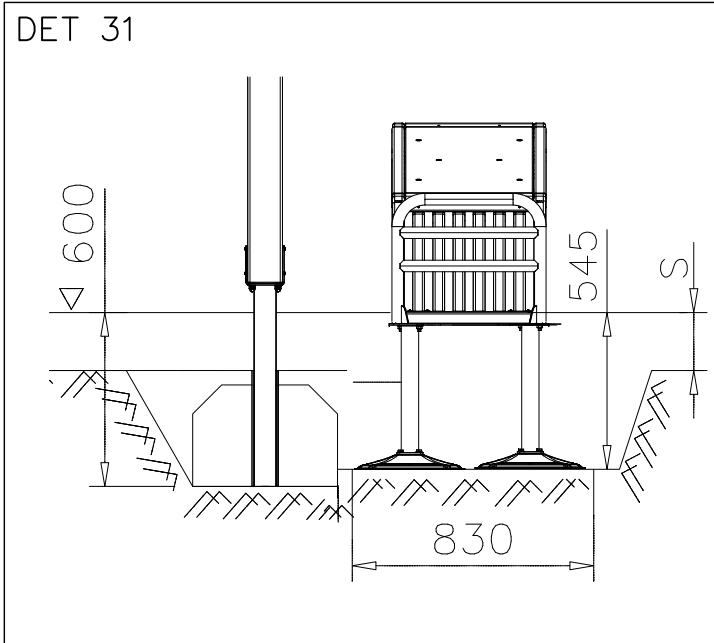


DET 17

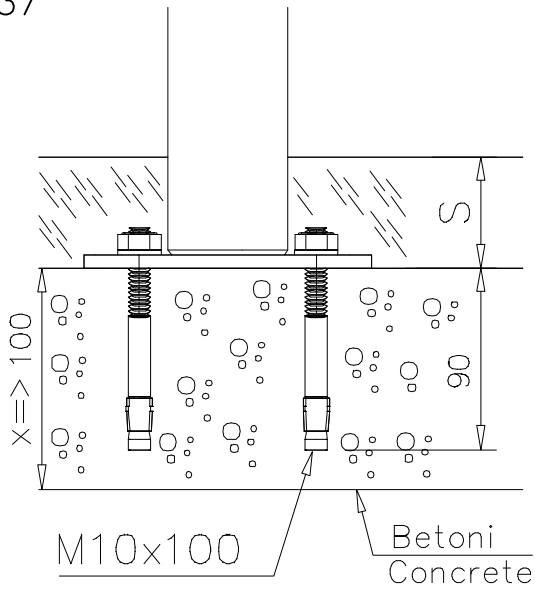
DET 18



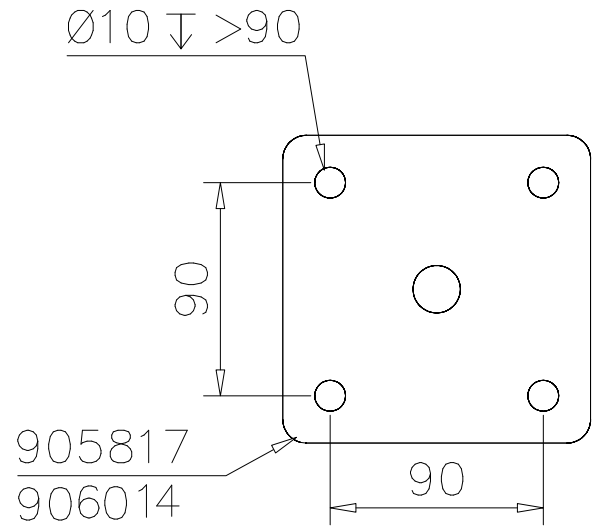




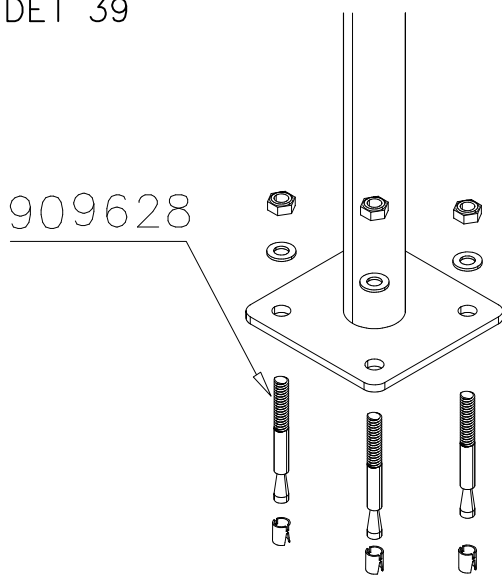
DET 37



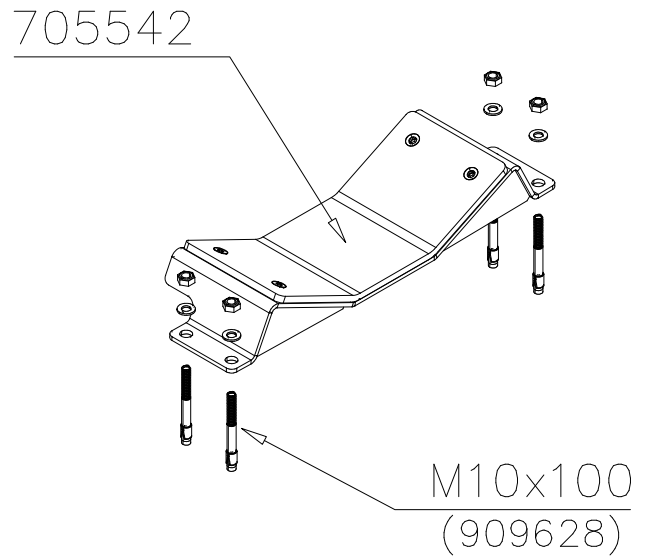
DET 38



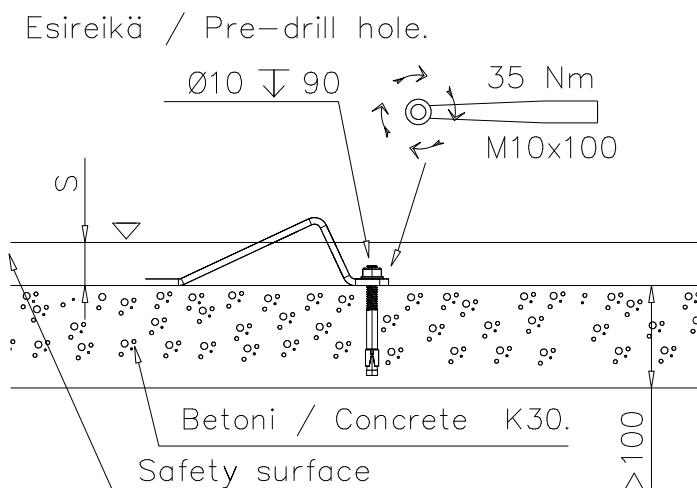
DET 39



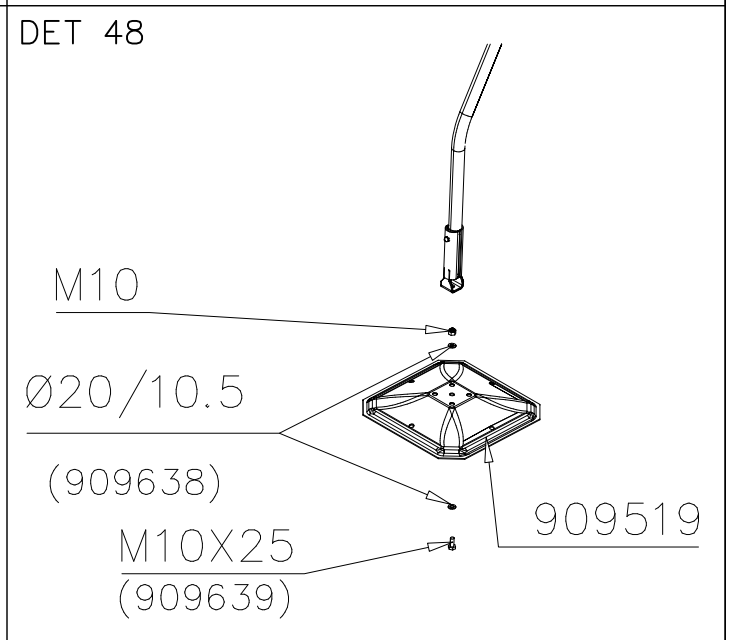
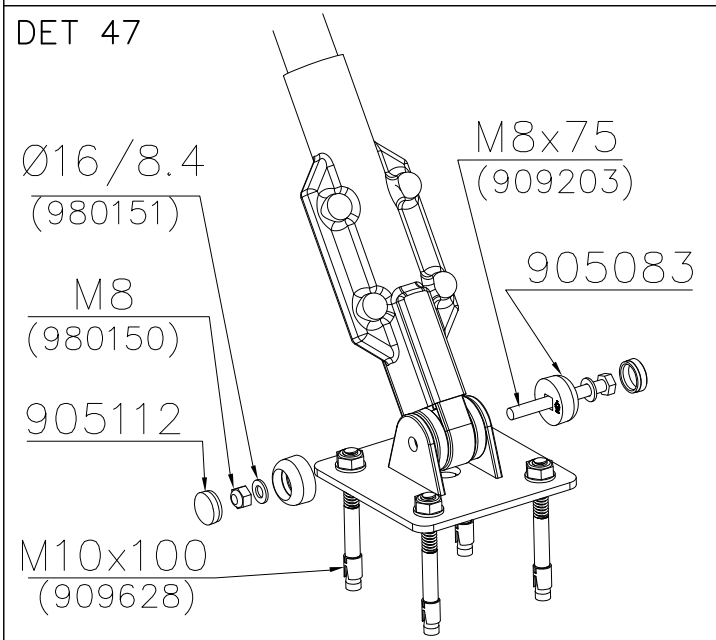
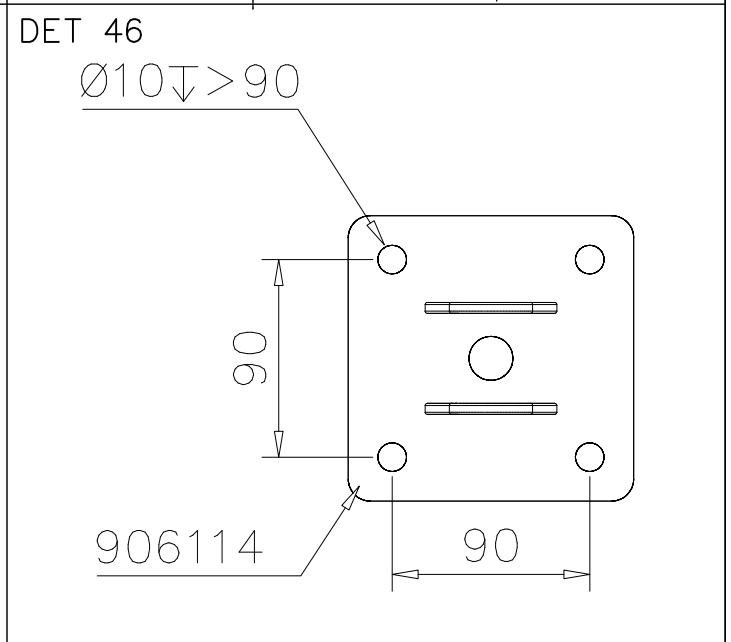
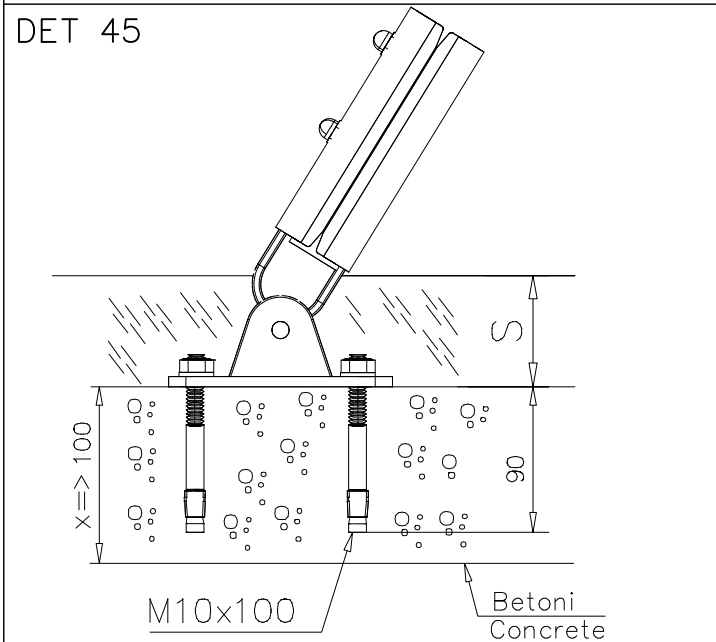
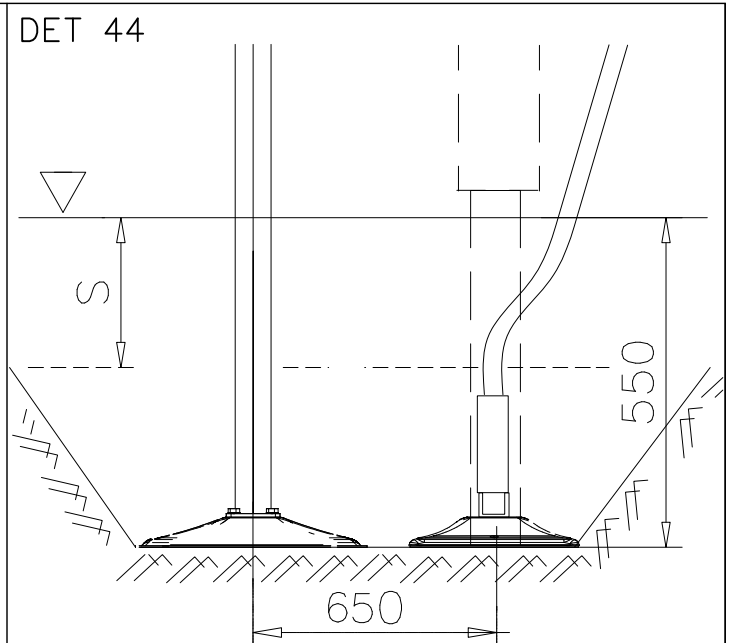
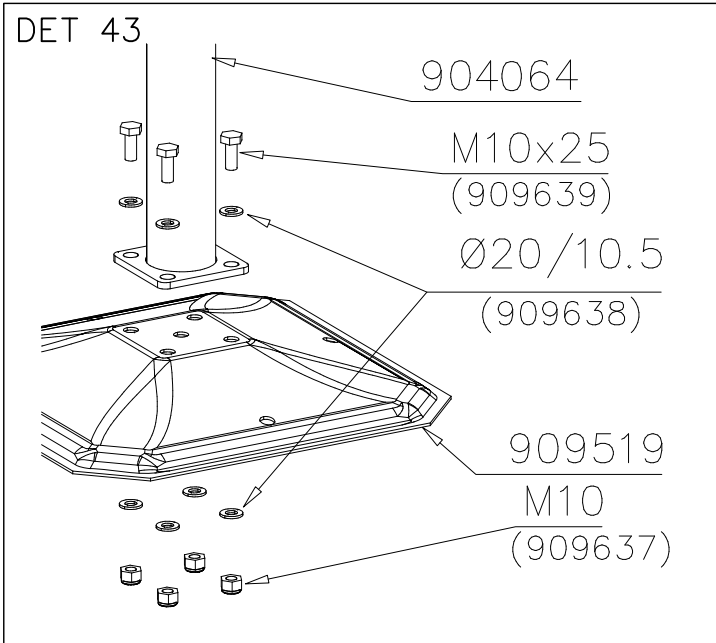
DET 40



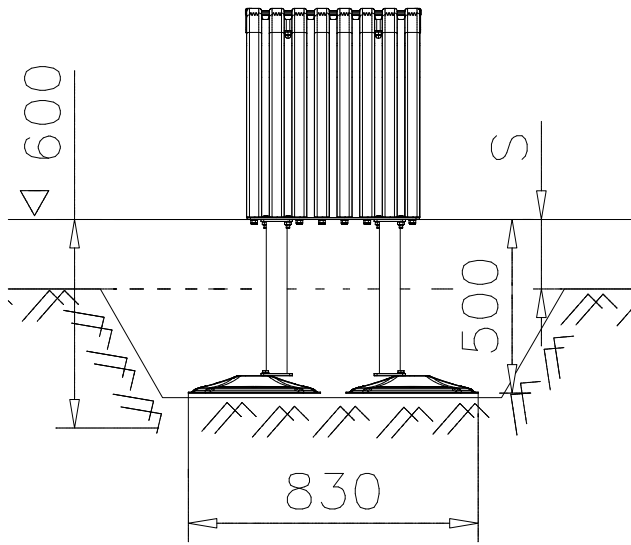
DET 41



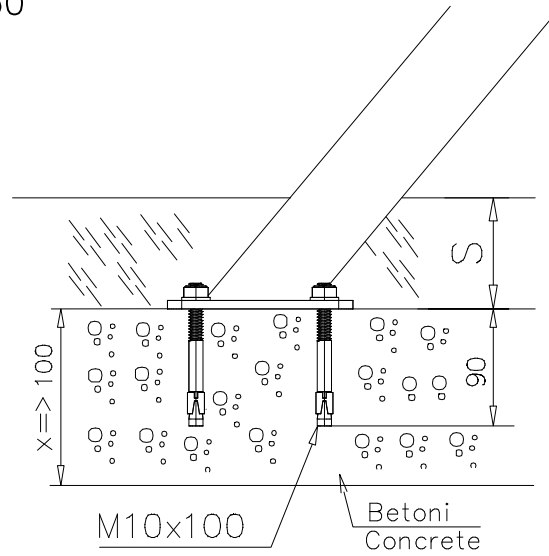
DET 42



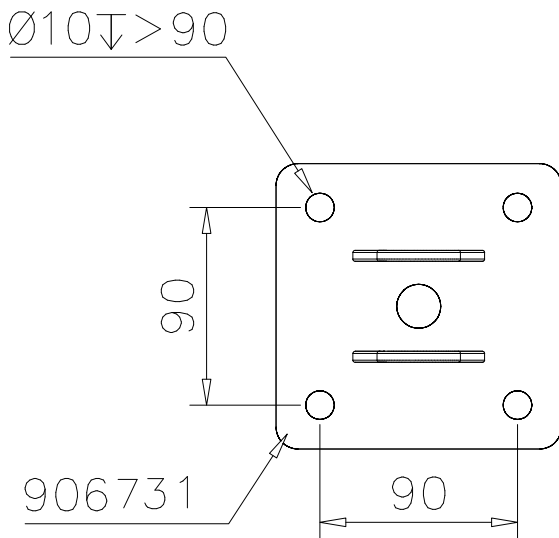
DET 49



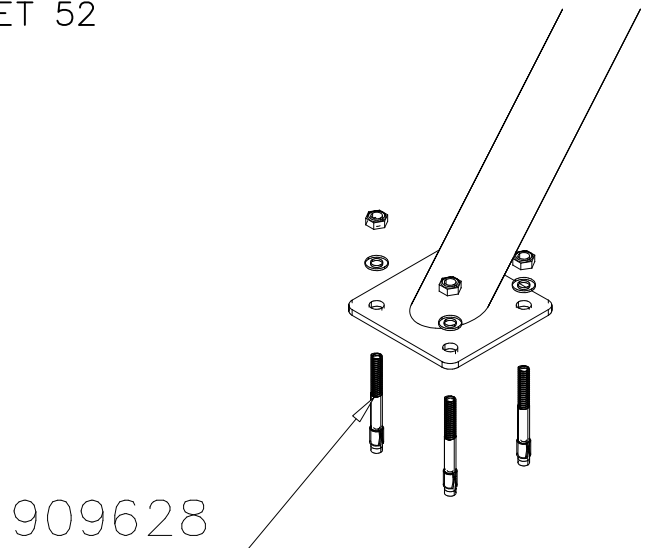
DET 50



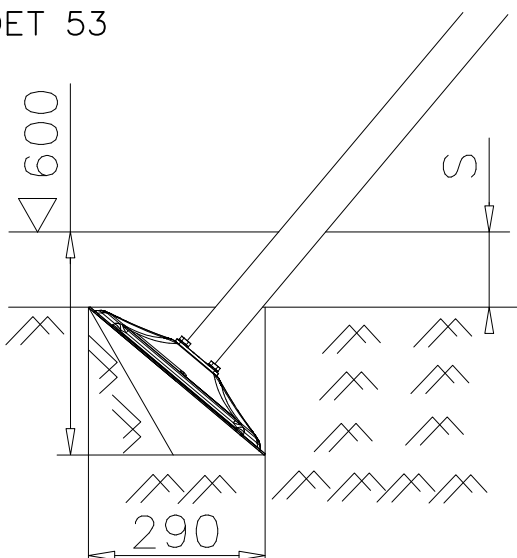
DET 51



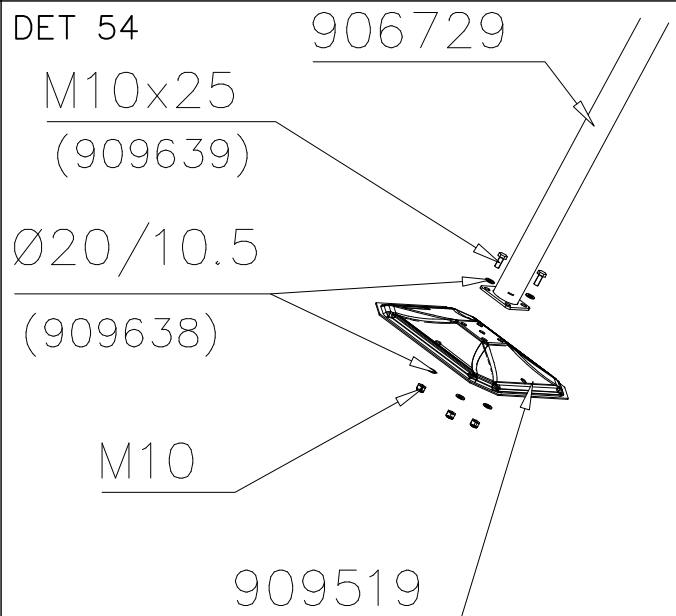
DET 52



DET 53

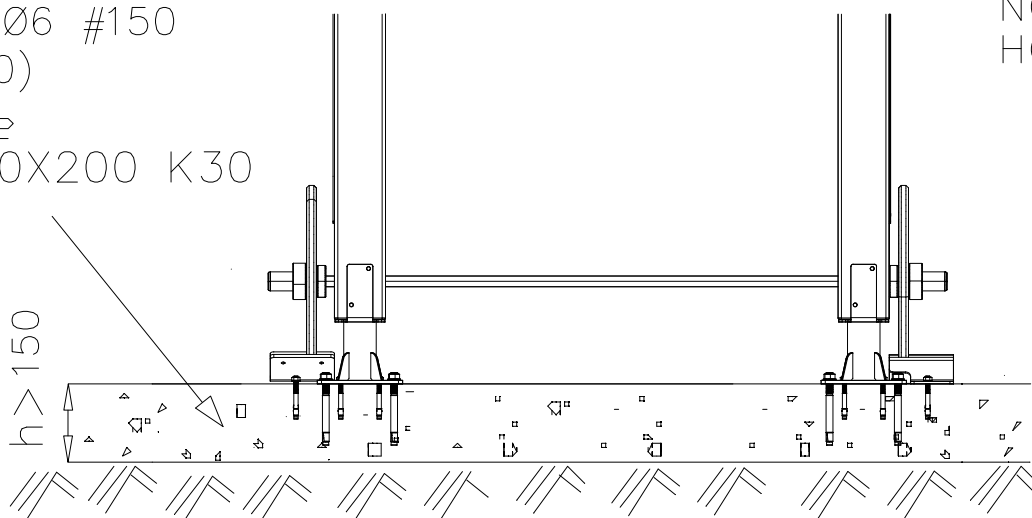


DET 54

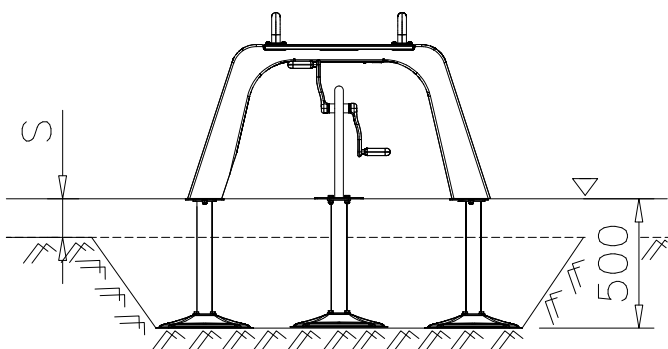


DET 55

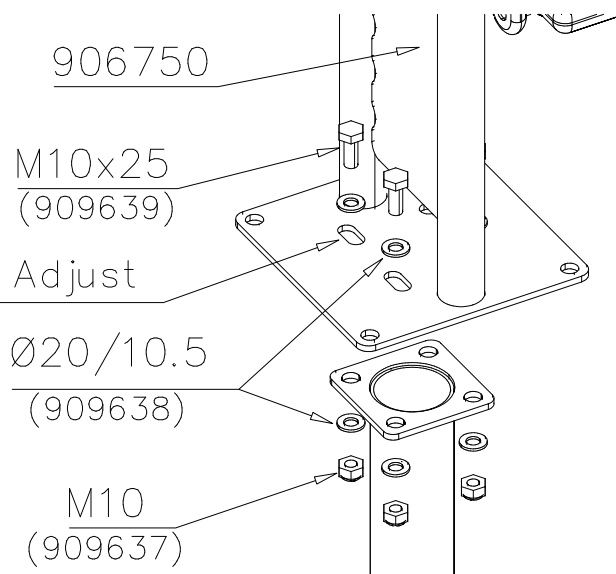
STEELNET Ø6 #150
(1400x2100)
Concrete
1500X2200X200 K30



DET 56



DET 57

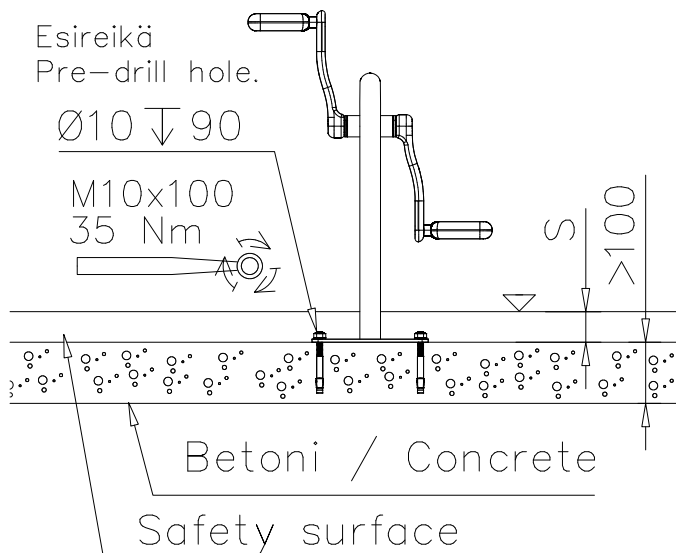


DET 58

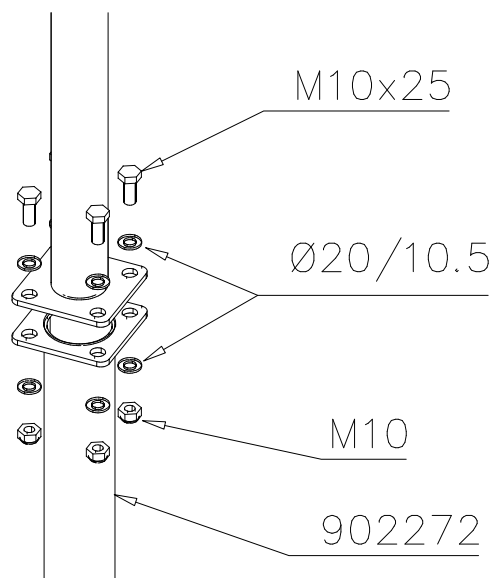
Esireikä
Pre-drill hole.

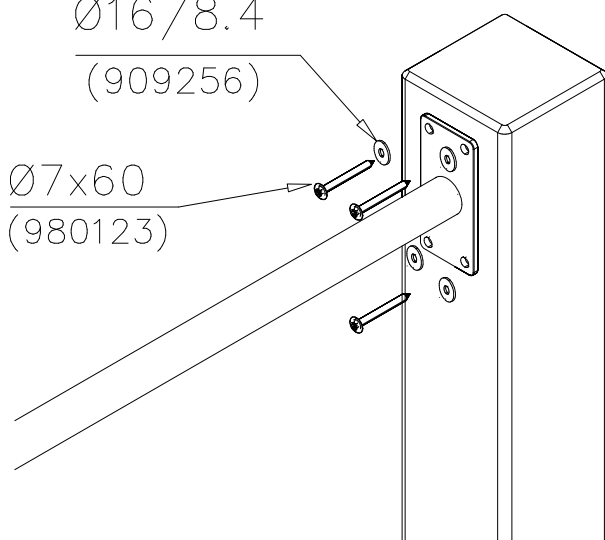
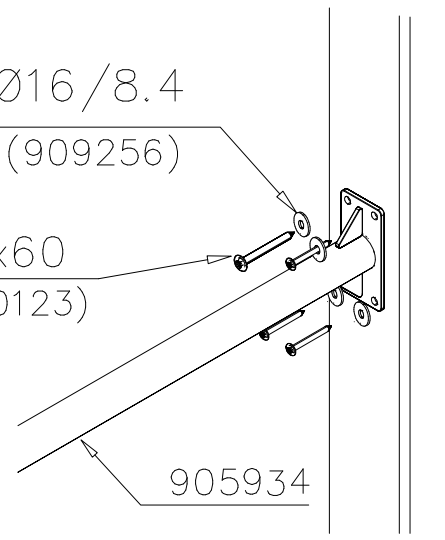
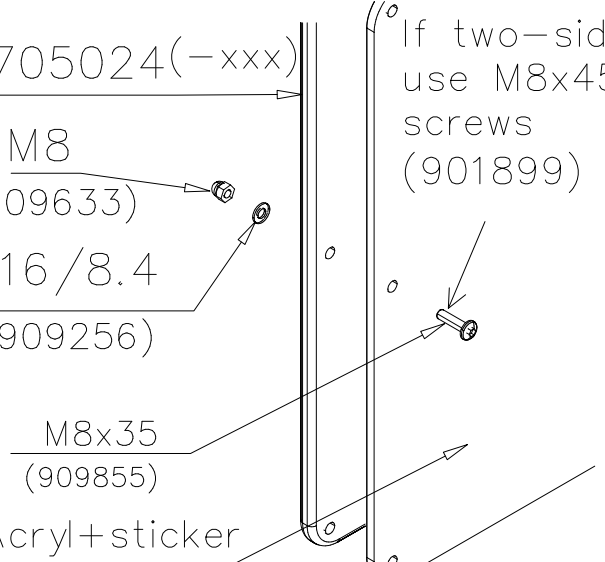
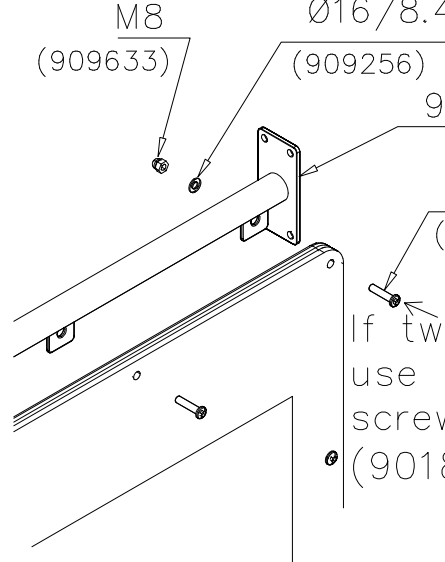
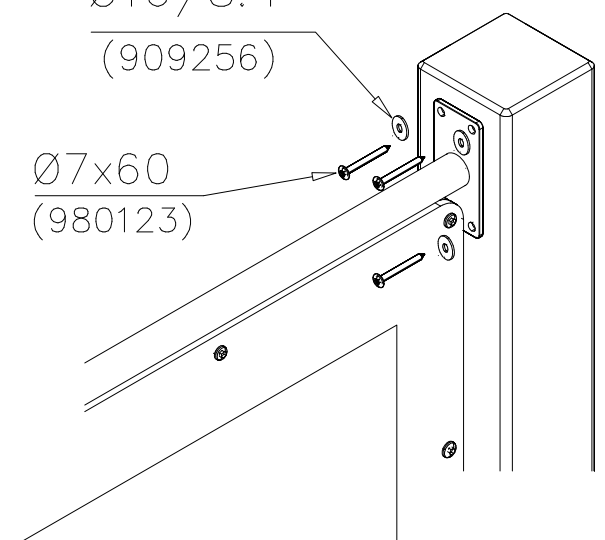
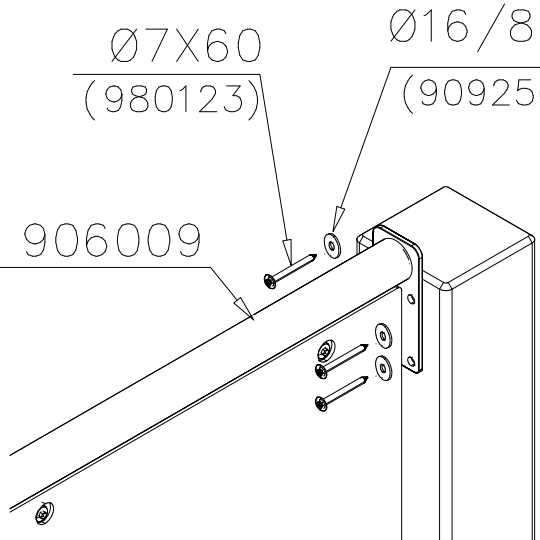
Ø10 ↓ 90

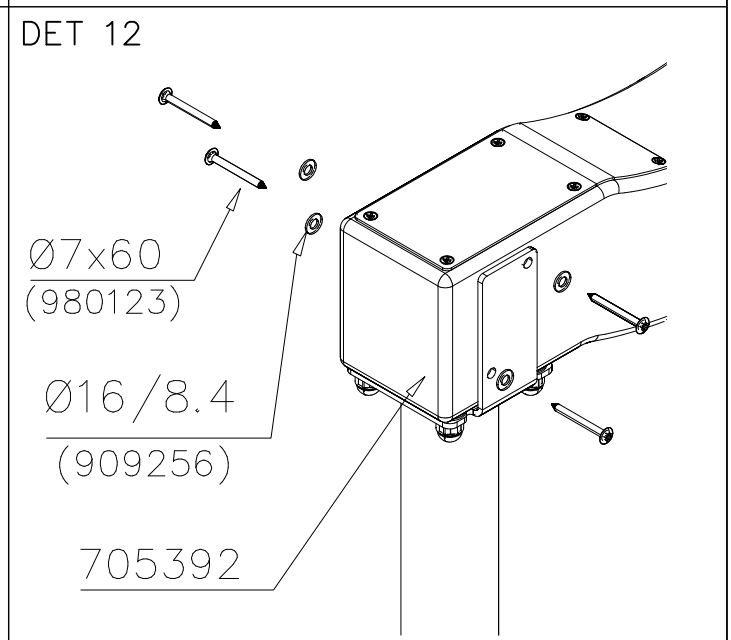
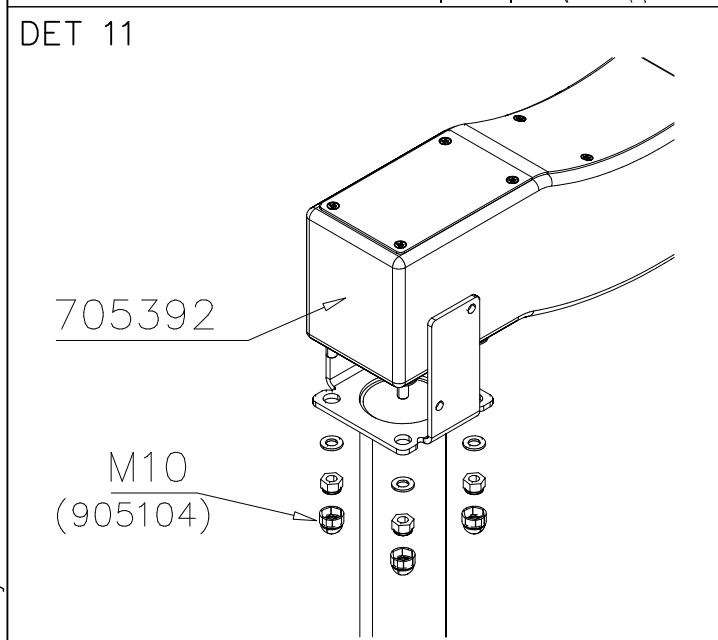
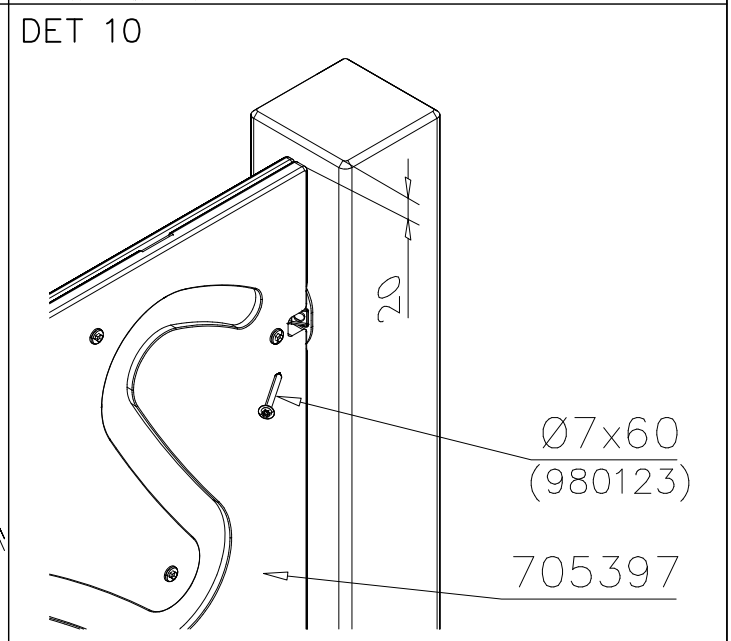
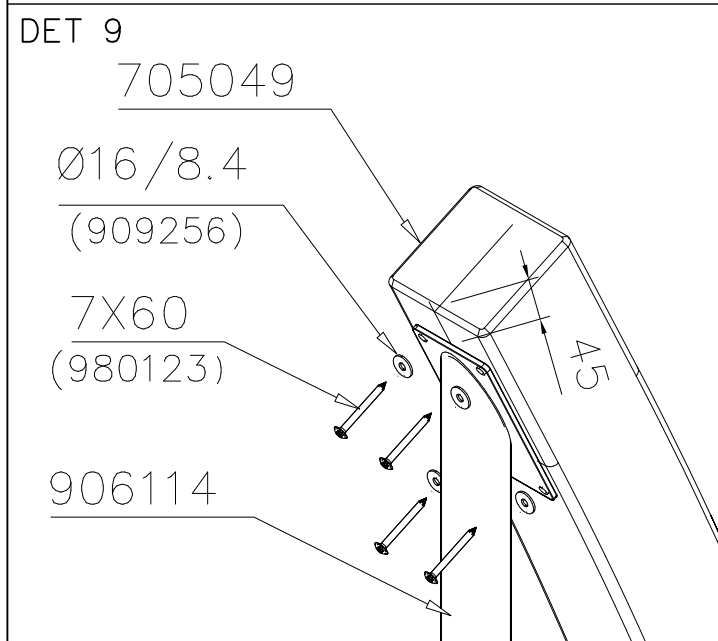
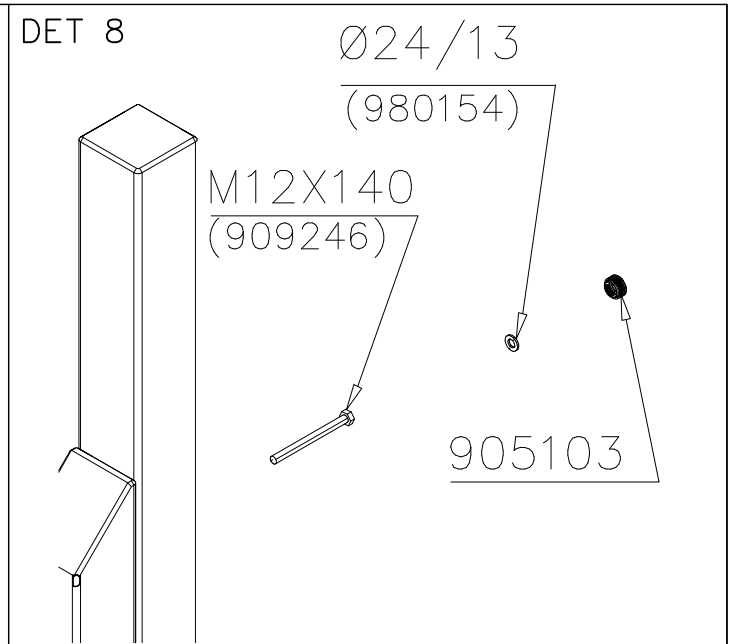
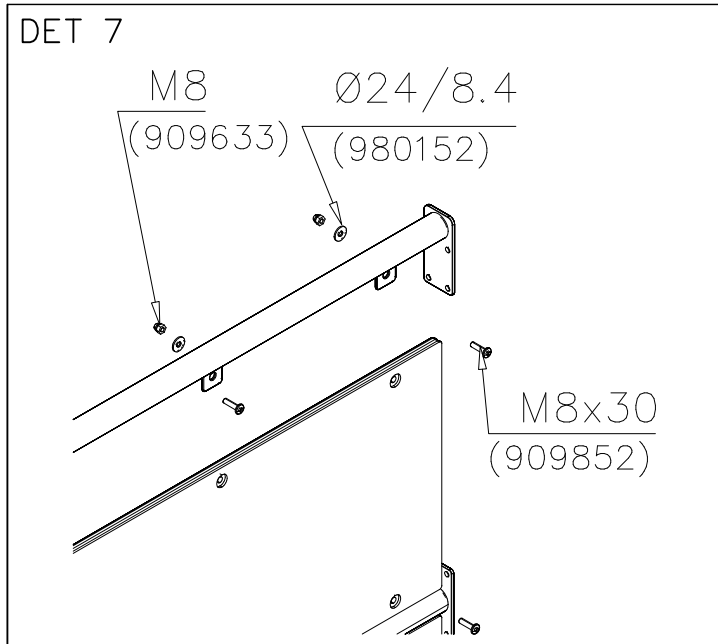
M10x100
35 Nm



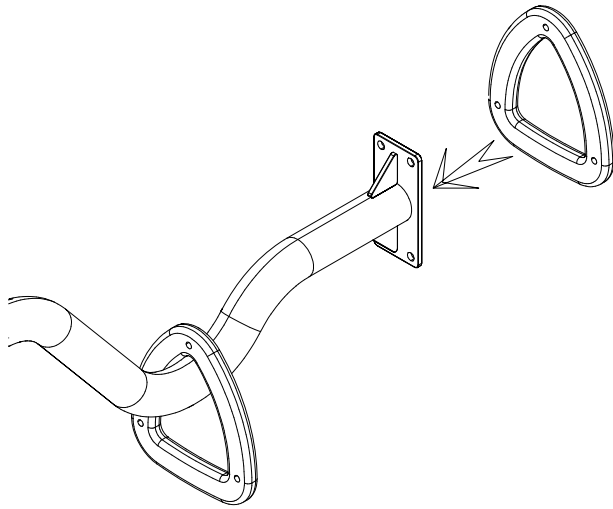
DET 59



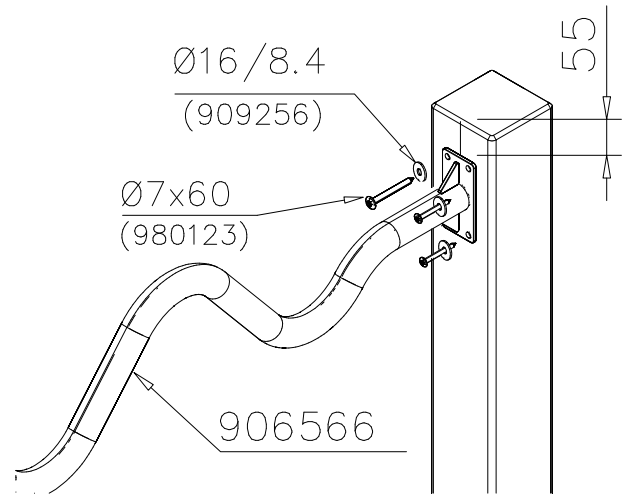
<p>DET 1</p> <p>$\frac{\text{Ø16 / 8.4}}{(909256)}$</p> <p>$\frac{\text{Ø7x60}}{(980123)}$</p> 	<p>DET 2</p> <p>$\frac{\text{Ø16 / 8.4}}{(909256)}$</p> <p>$\frac{\text{Ø7x60}}{(980123)}$</p> <p>905934</p> 
<p>DET 3</p> <p>$\frac{705024(-xxx)}{}$</p> <p>M8 (909633)</p> <p>$\frac{\text{Ø16 / 8.4}}{(909256)}$</p> <p>M8x35 (909855)</p> <p>Acryl+sticker</p> <p>If two-sided use M8x45 screws (901899)</p> 	<p>DET 4</p> <p>M8 (909633)</p> <p>$\frac{\text{Ø16 / 8.4}}{(909256)}$</p> <p>905936</p> <p>M8x35 (909855)</p> <p>If two-sided use M8x45 screws (901899)</p> 
<p>DET 5</p> <p>$\frac{\text{Ø16 / 8.4}}{(909256)}$</p> <p>$\frac{\text{Ø7x60}}{(980123)}$</p> 	<p>DET 6</p> <p>$\frac{\text{Ø7x60}}{(980123)}$</p> <p>$\frac{\text{Ø16 / 8.4}}{(909256)}$</p> <p>906009</p> 



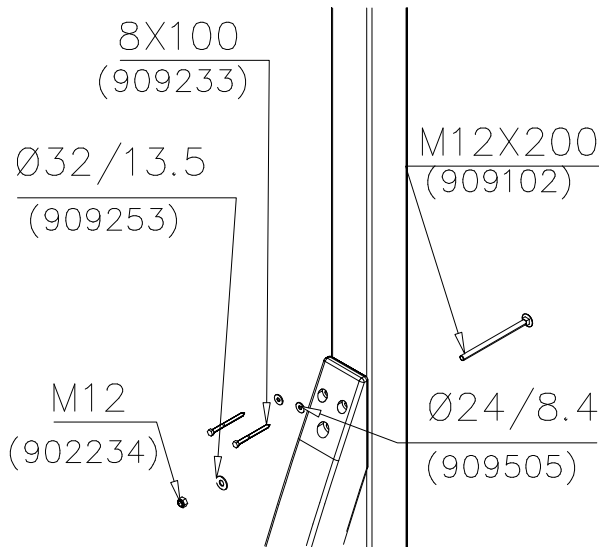
DET 13



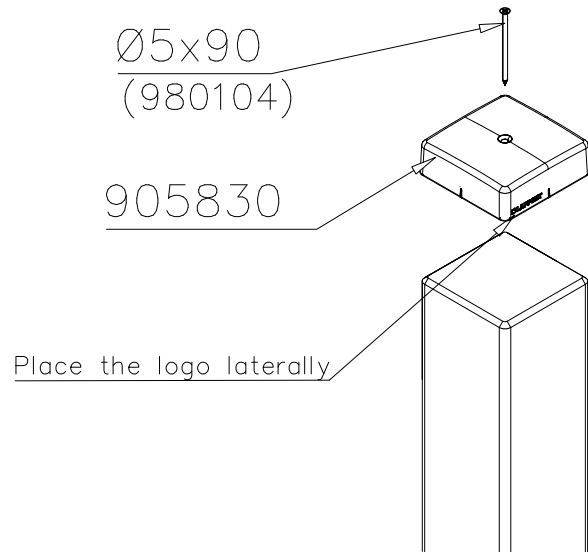
DET 14



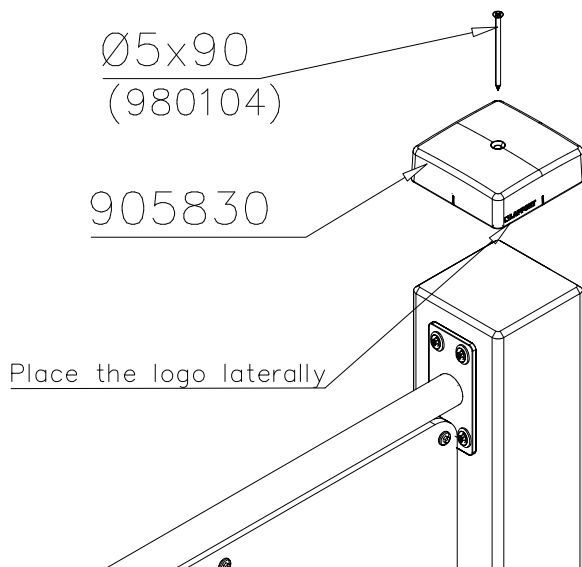
DET 15



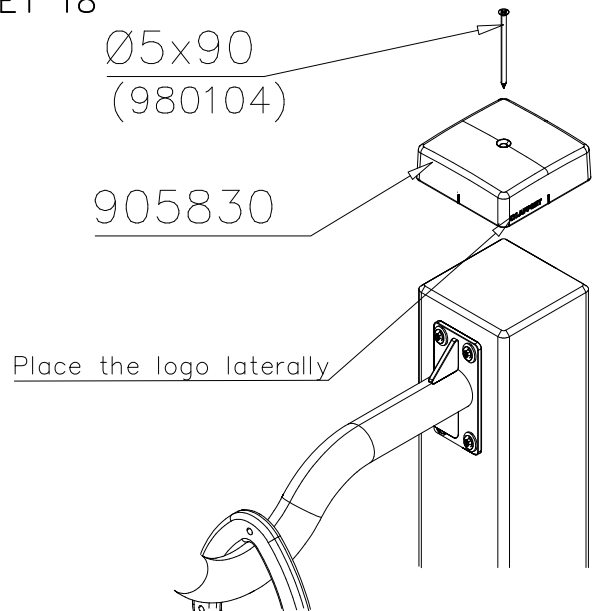
DET 16

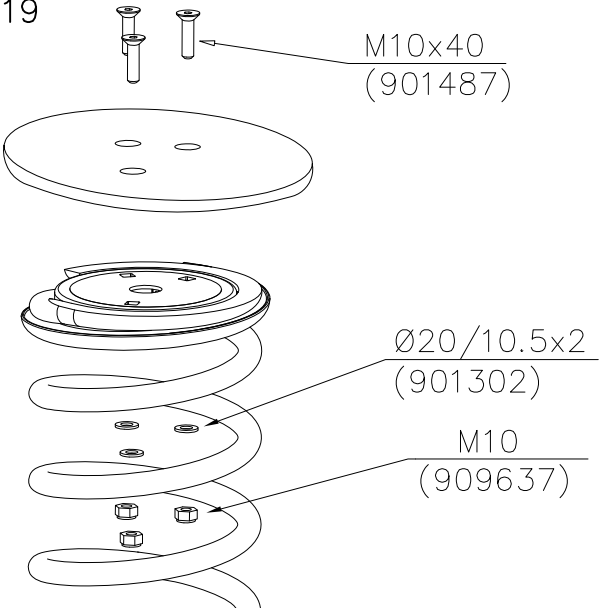
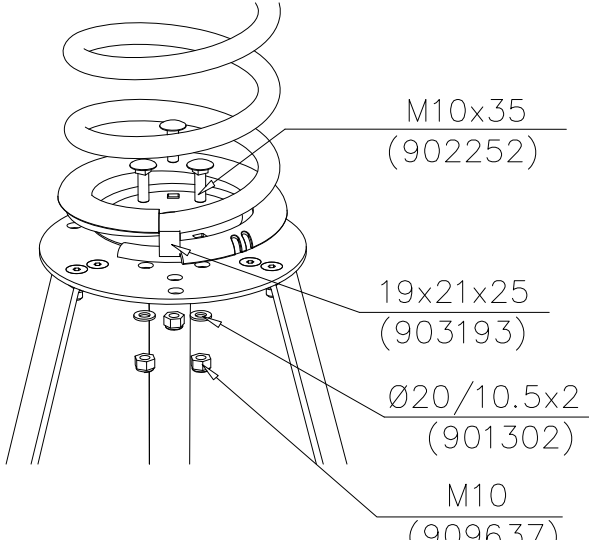
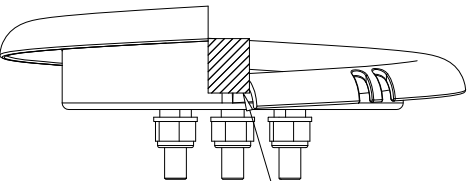
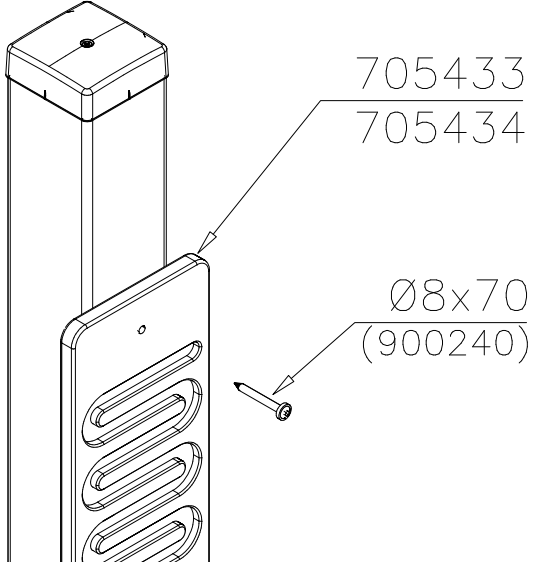
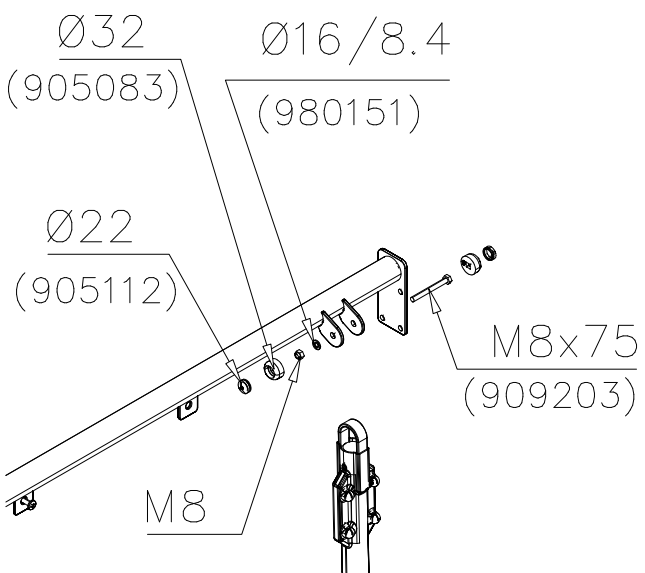



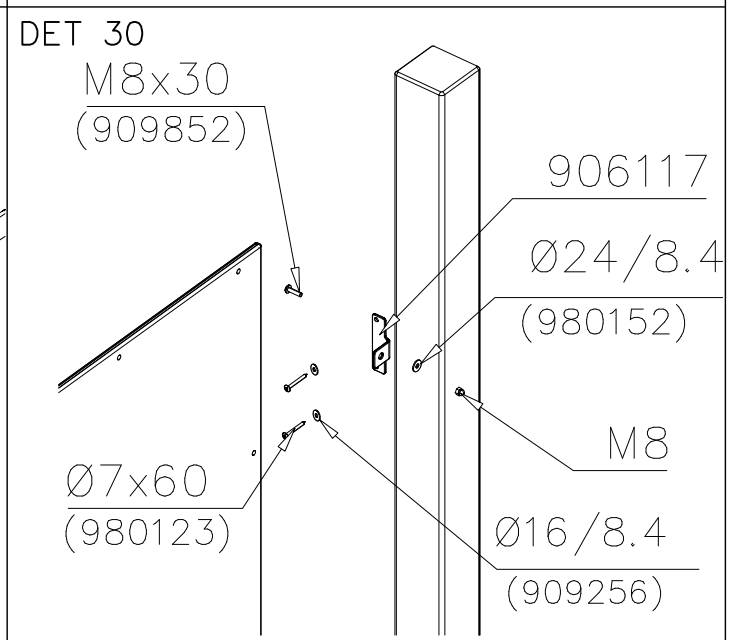
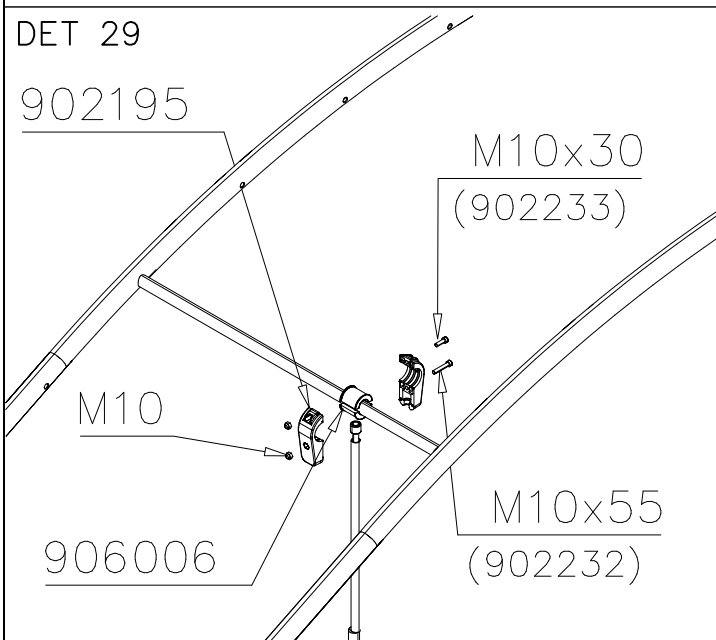
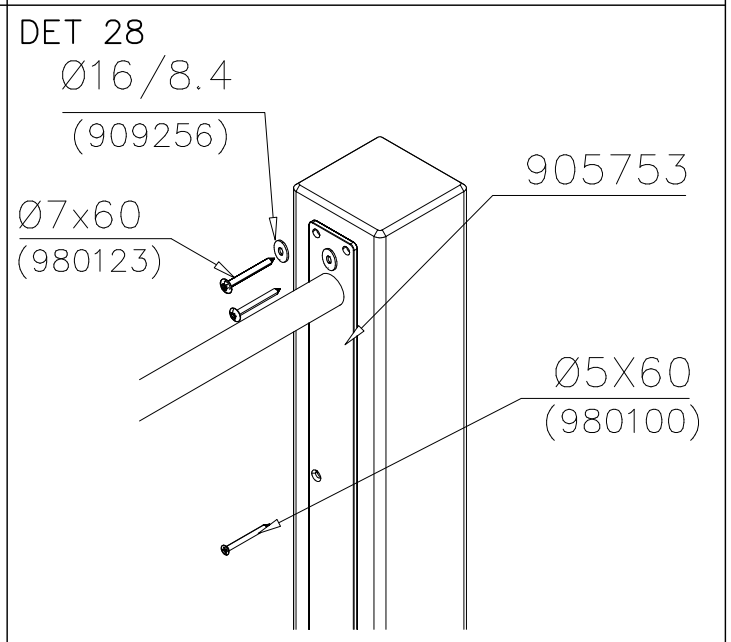
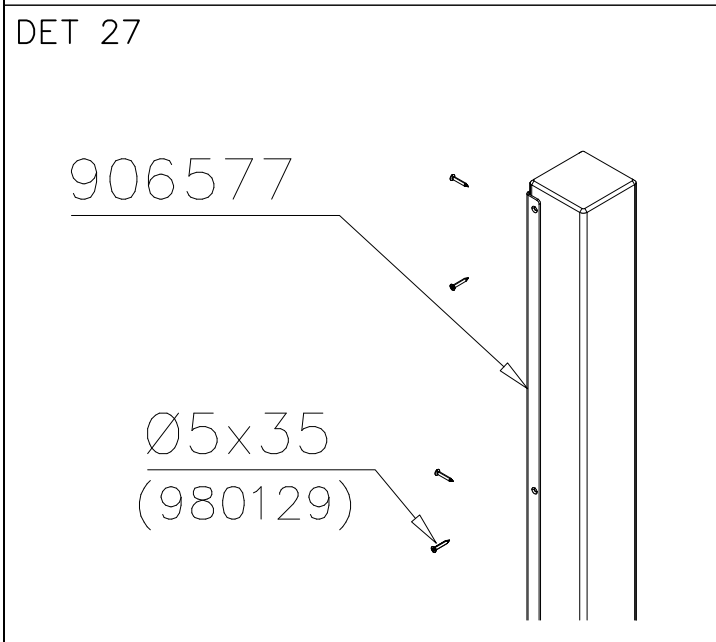
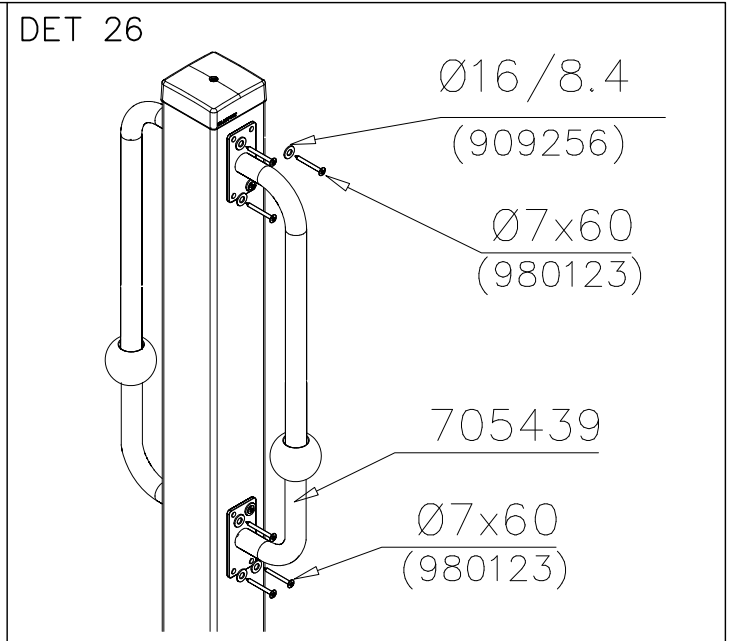
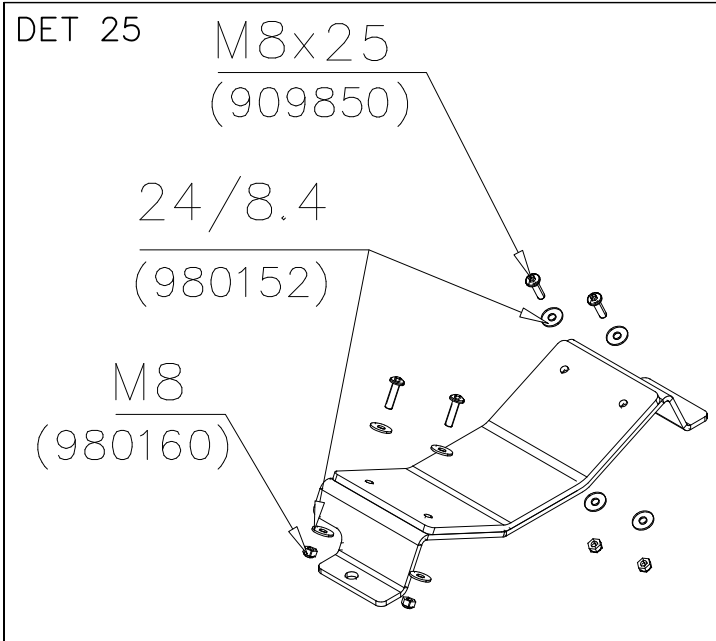
DET 17



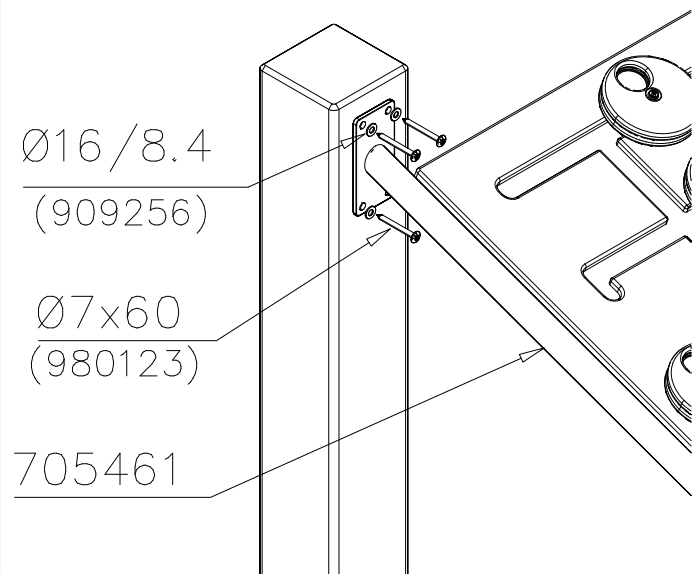
DET 18



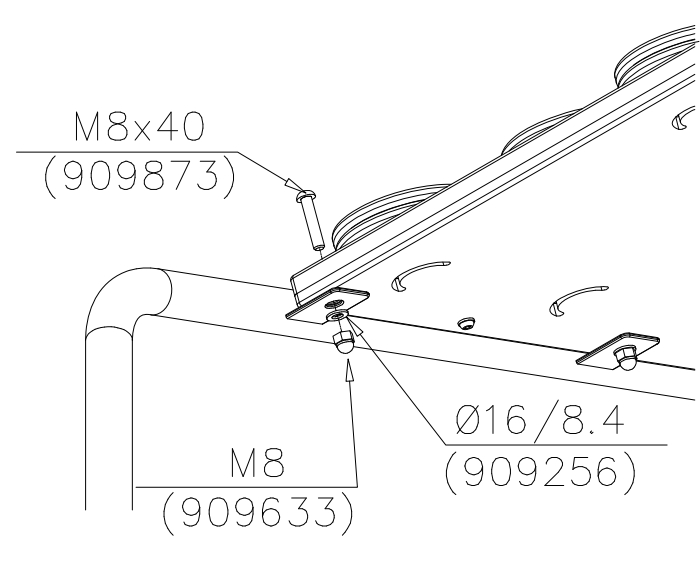
<p>DET 19</p>  <p>M10x40 (901487)</p> <p>Ø20/10.5x2 (901302)</p> <p>M10 (909637)</p>	<p>DET 20</p>  <p>M10x35 (902252)</p> <p>19x21x25 (903193)</p> <p>Ø20/10.5x2 (901302)</p> <p>M10 (909637)</p>
<p>DET 21</p>  <p>Muoviosan sijoitus (903193) Position of the plastic piece</p>	<p>DET 22</p>  <p>705433 705434</p> <p>Ø8x70 (900240)</p>
<p>DET 23</p>  <p>Ø32 (905083)</p> <p>Ø16/8.4 (980151)</p> <p>Ø22 (905112)</p> <p>M8x75 (909203)</p> <p>M8</p>	<p>DET 24</p> 



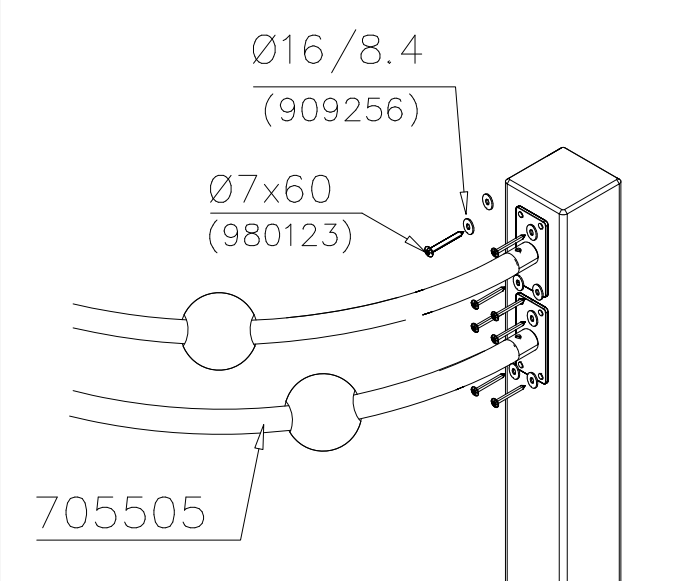
DET 31



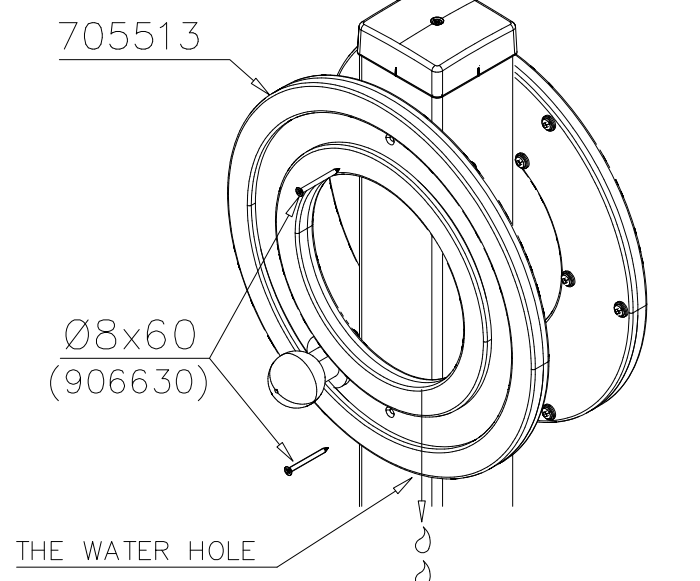
DET 32



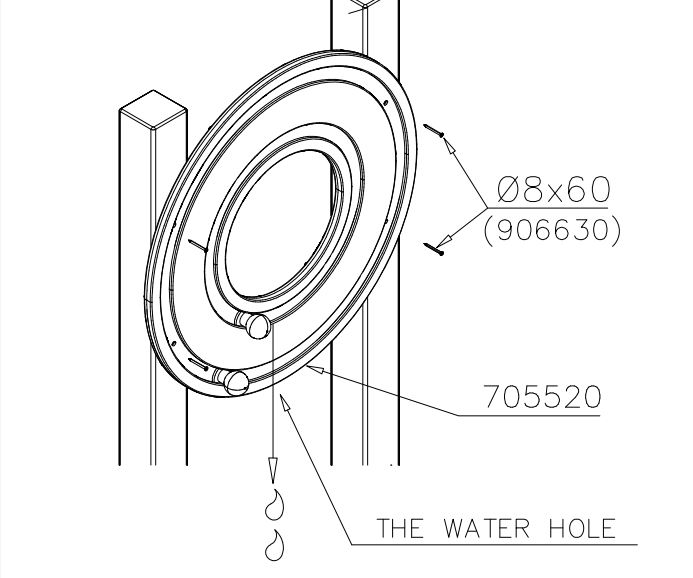
DET 33



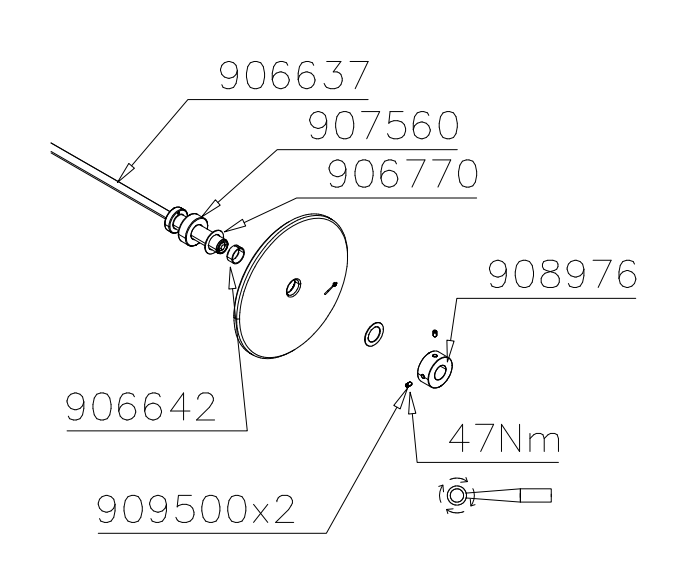
DET 34

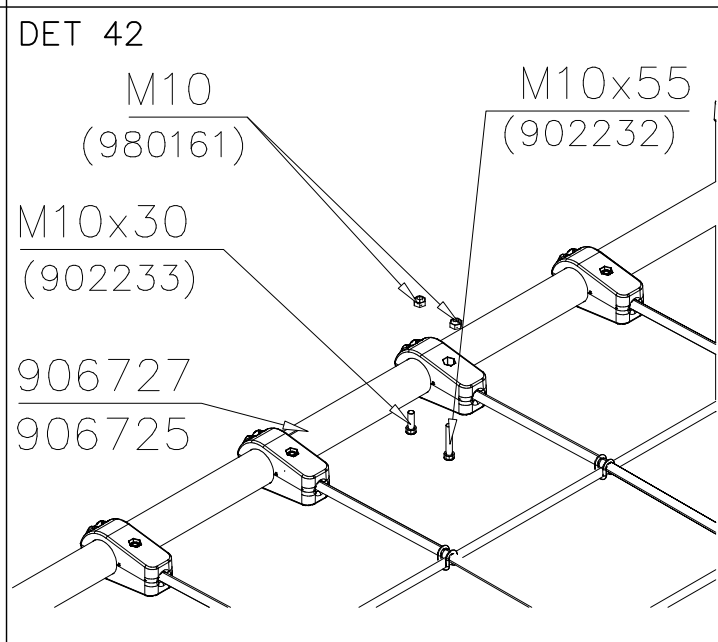
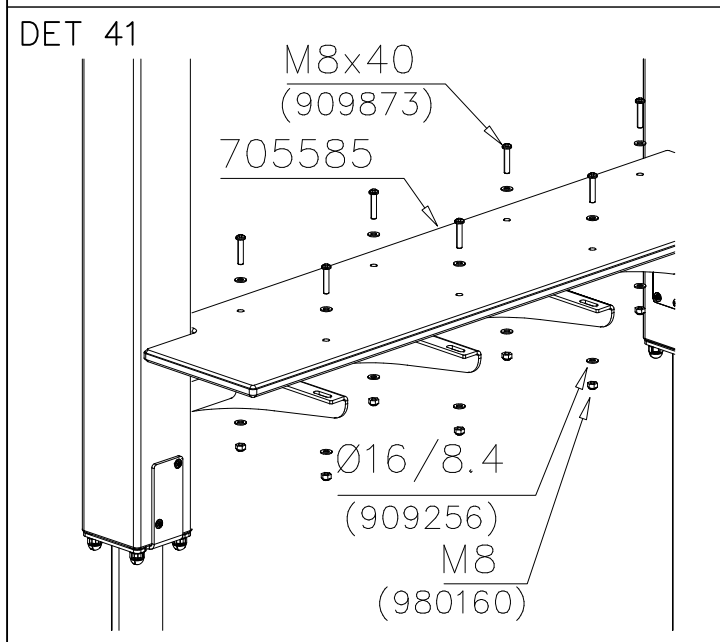
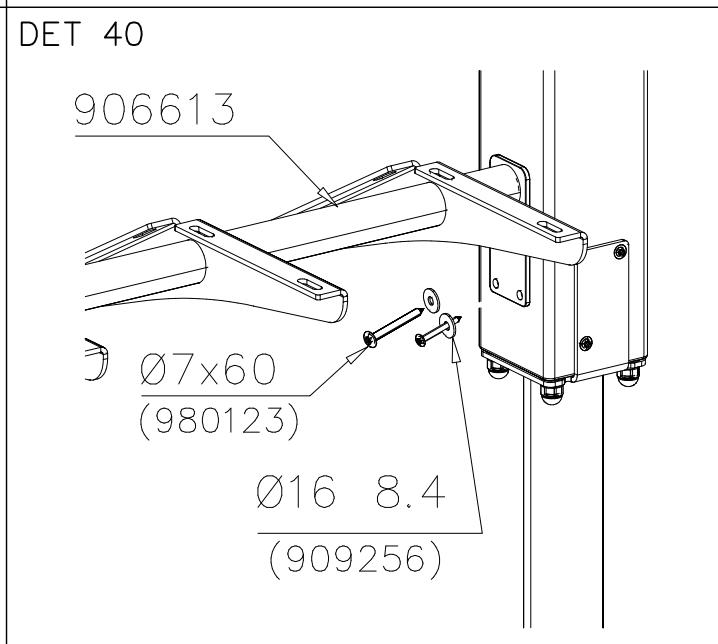
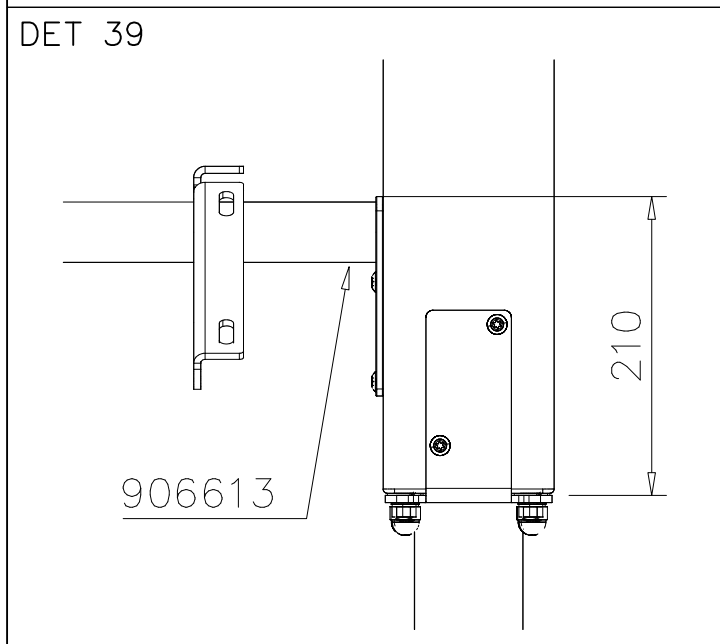
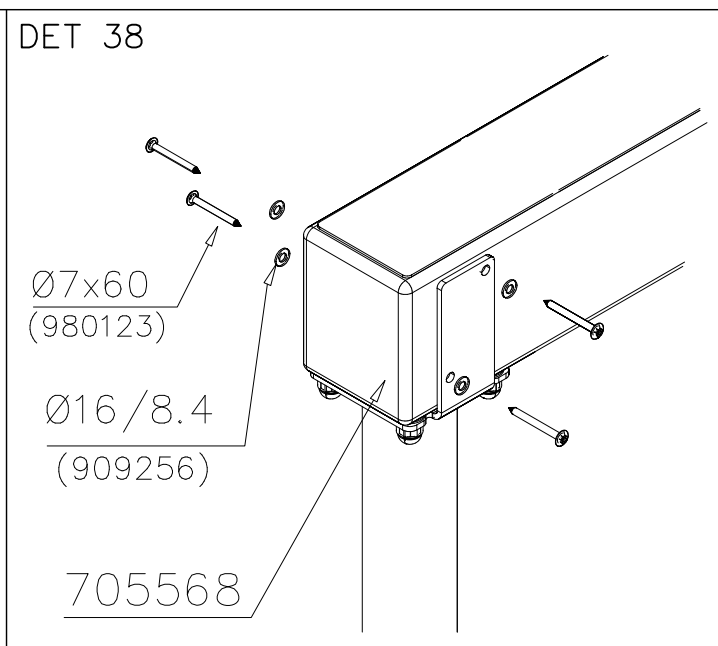
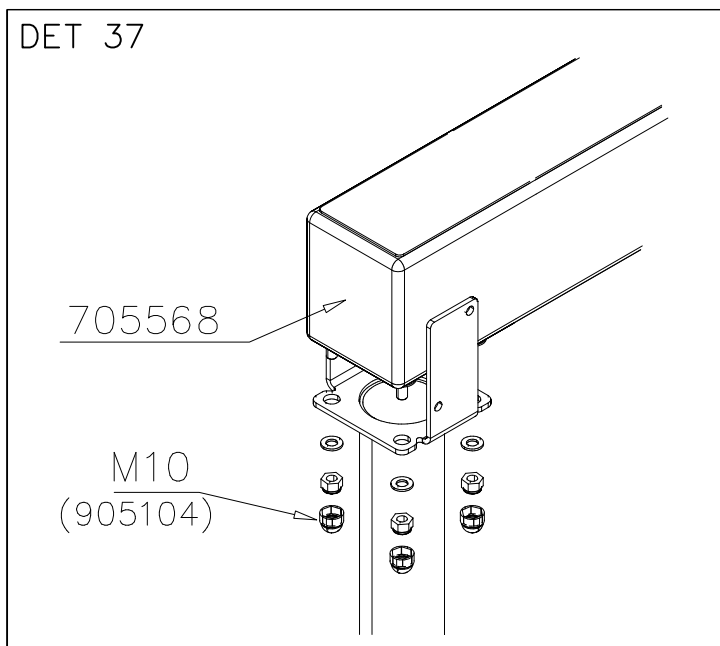


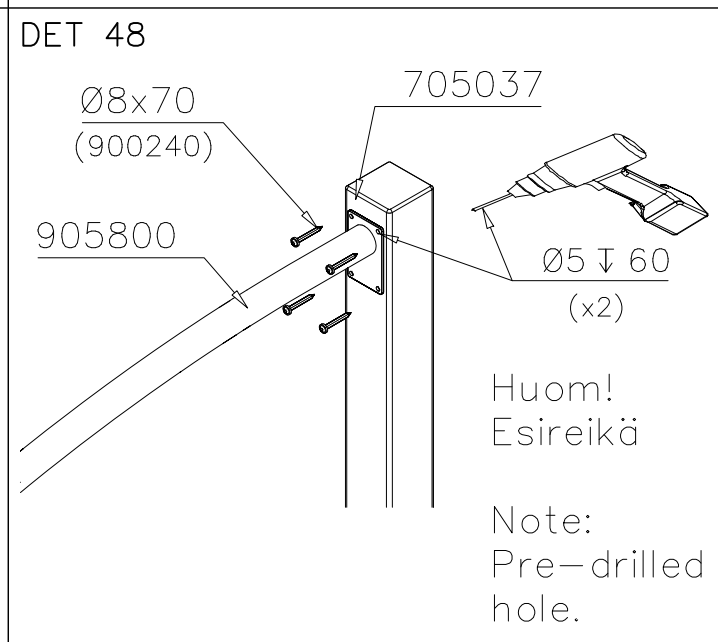
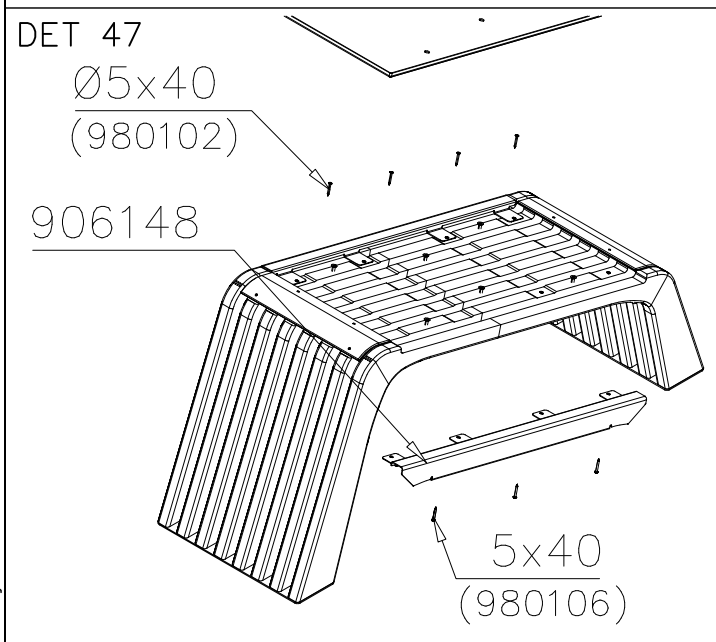
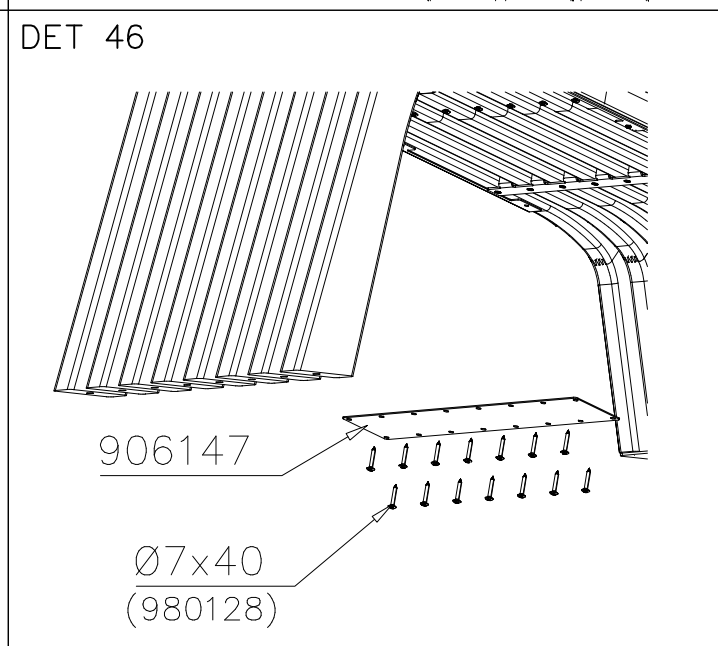
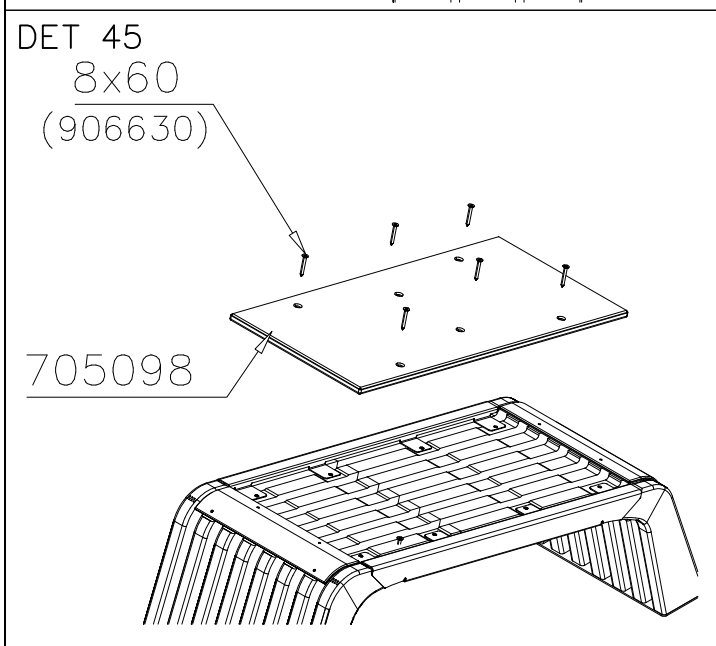
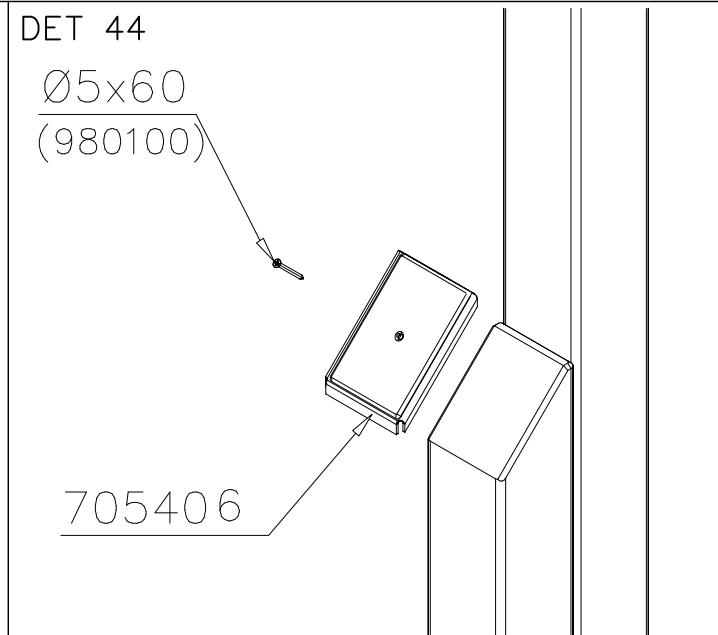
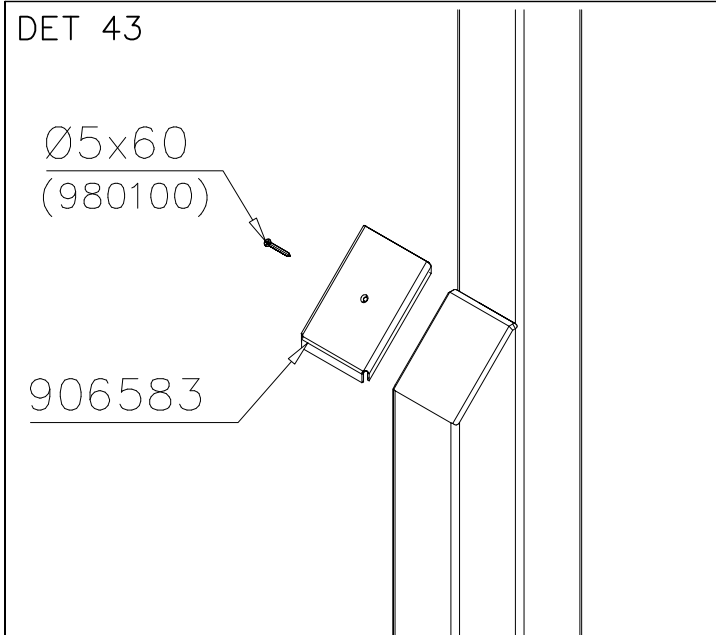
DET 35

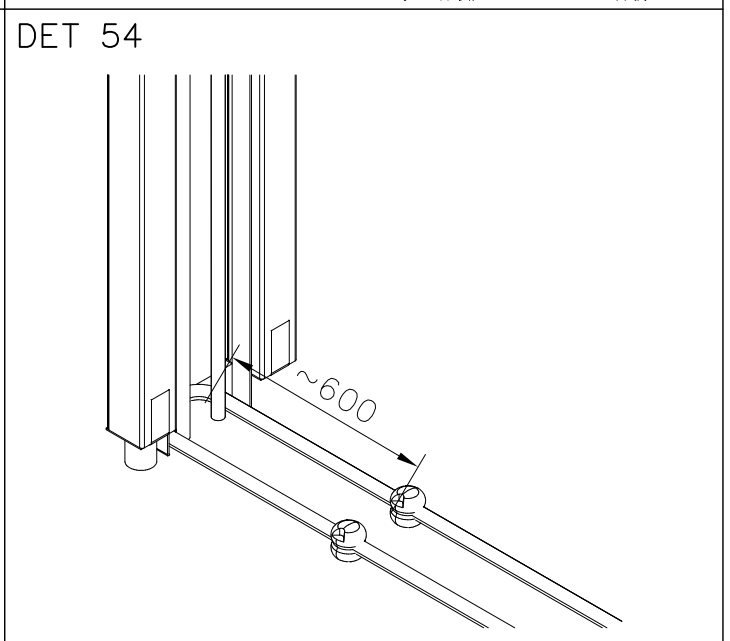
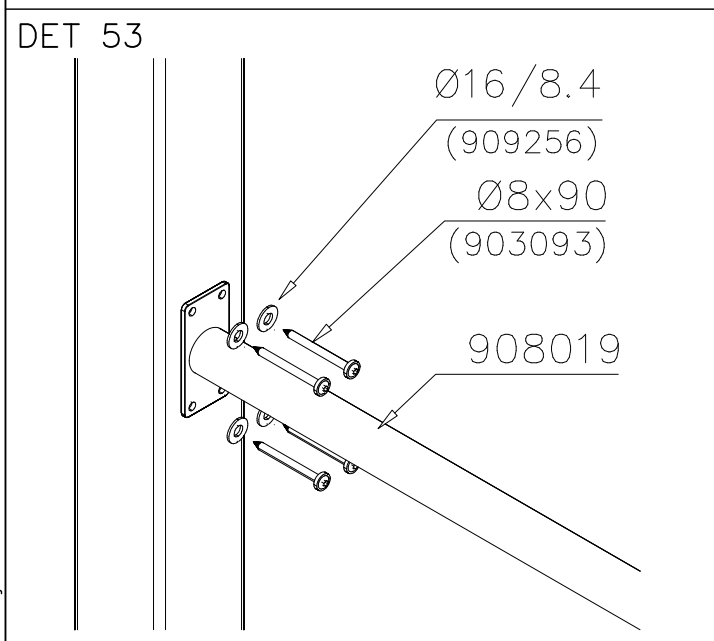
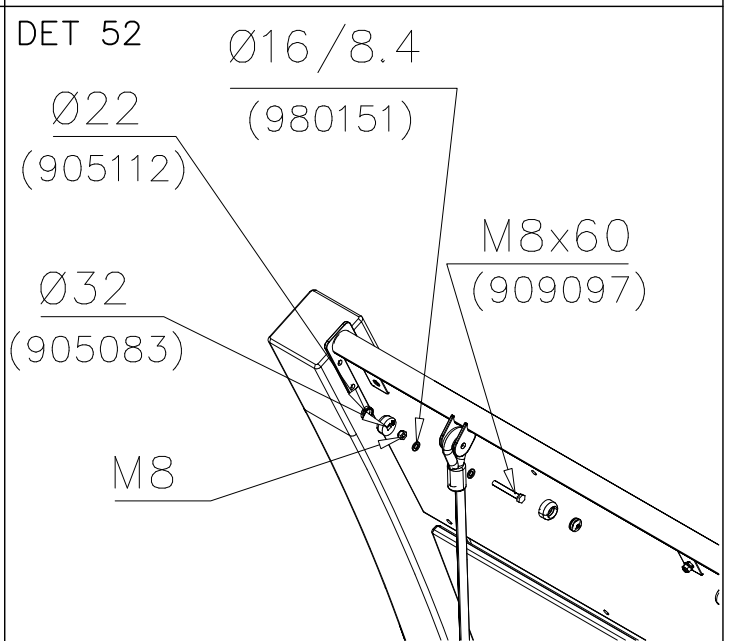
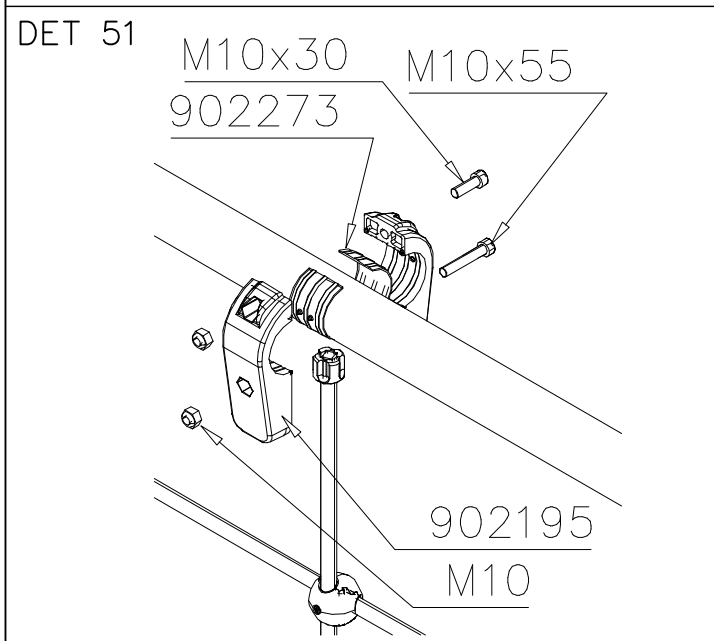
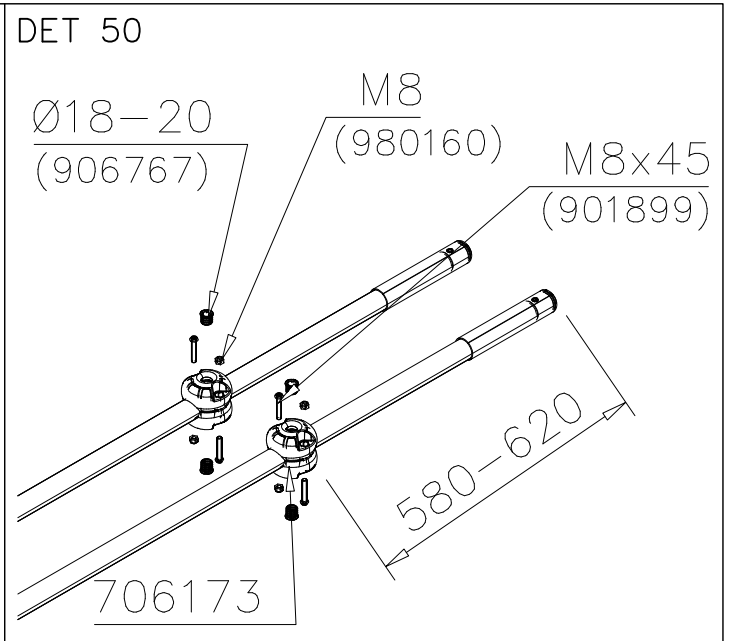
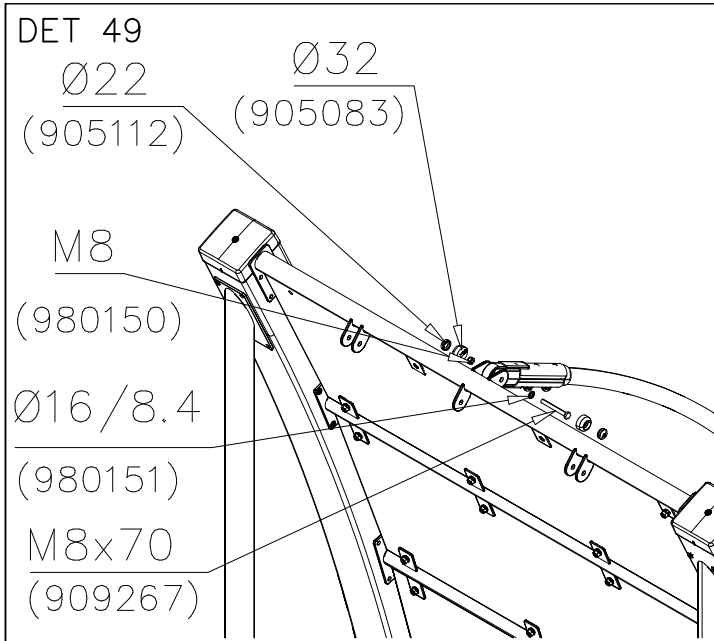


DET 36

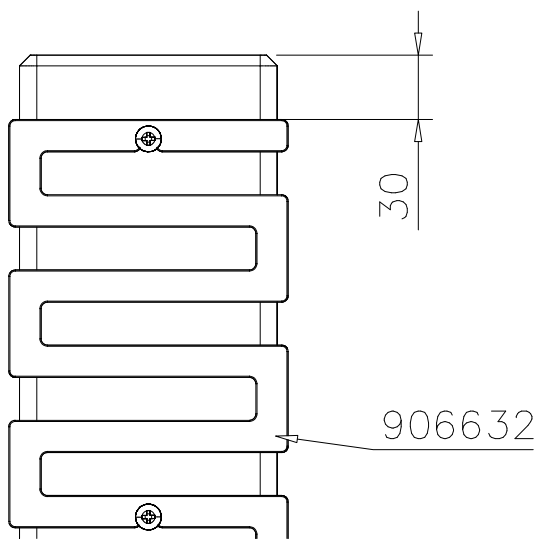




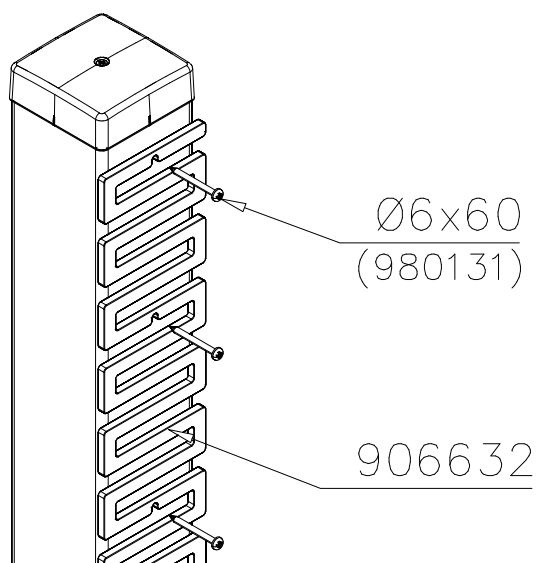




DET 55



DET 56

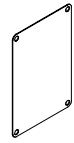



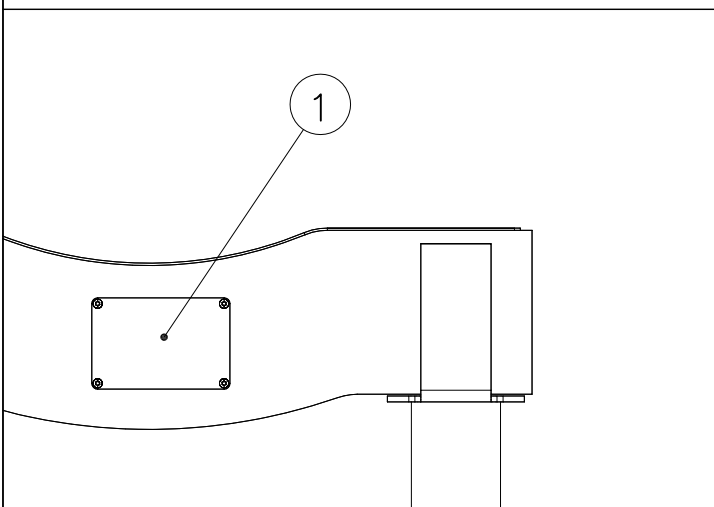
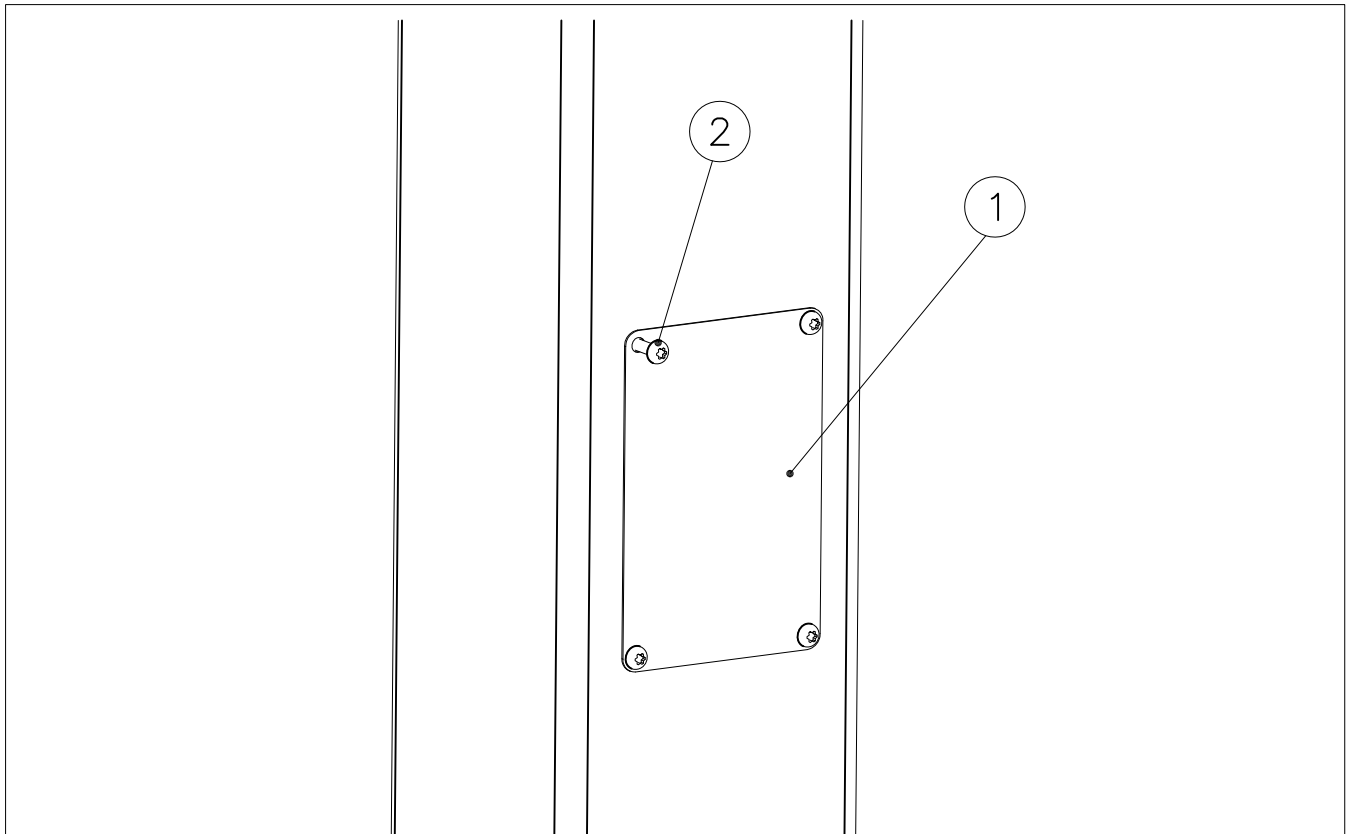
DET 57

DET 58

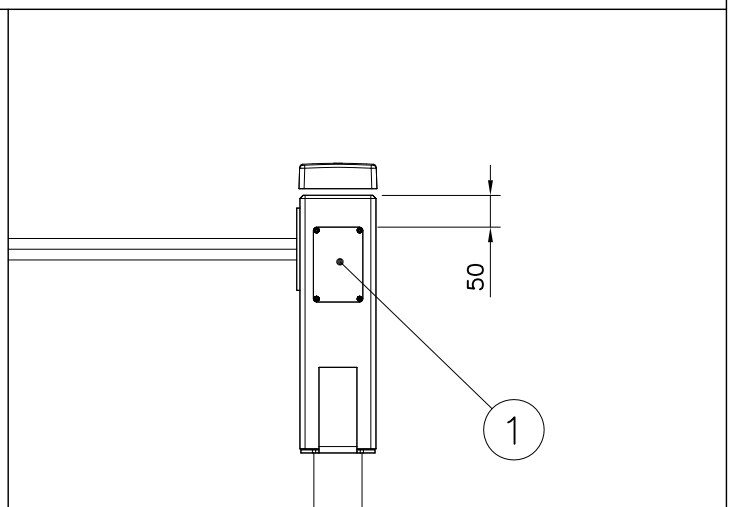
DET 59

DET 60

① SHEET METAL  118x78x0.7	PCS	② 980114  Ø4x20	PCS
	1		4

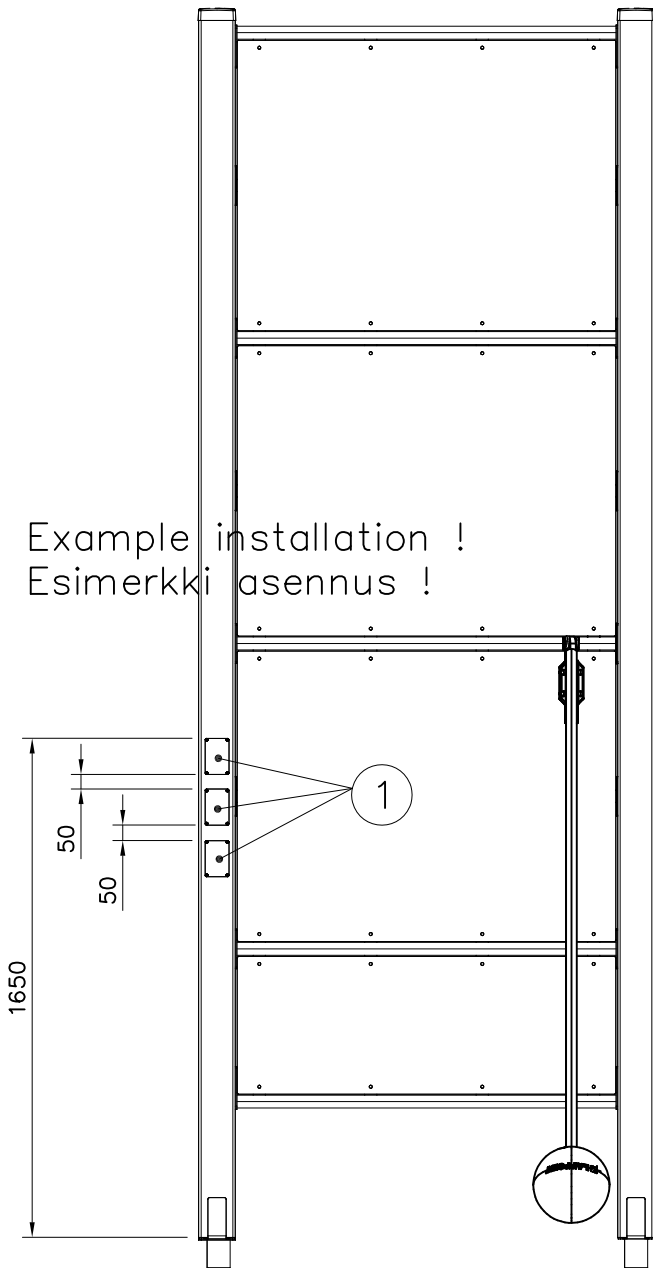


Example installation !
Esimerkki asennus !

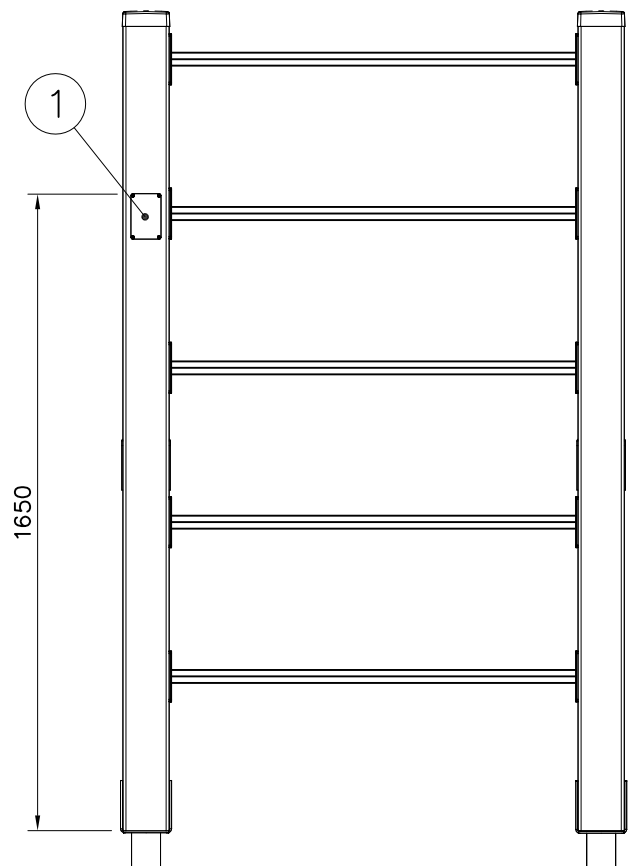


Example installation !
Esimerkki asennus !

Example installation !
Esimerkki asennus !



Example installation !
Esimerkki asennus !



Example installation !
Esimerkki asennus !

