

# WINAM GROUP NF4024, NF4025

DATE: 27.05.2020



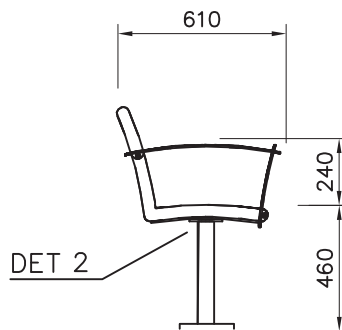
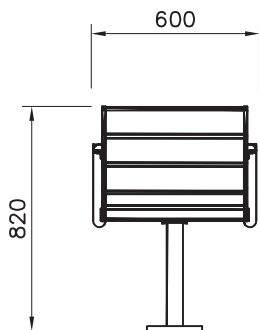
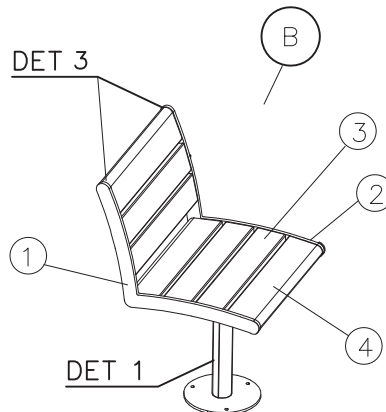
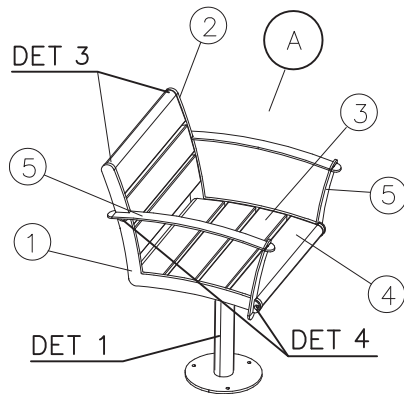
1(1)

ATTENTION! Product is delivered partly assembled

A NF4024

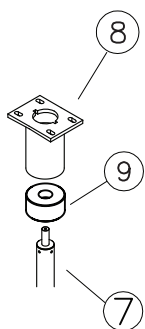
NOTERA! Produkten levereras delvis monterad

B NF4025

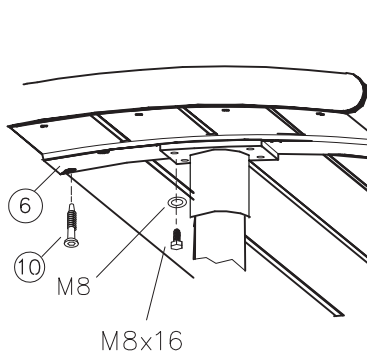


① N40001	PCS 1	② N40002	PCS 1
RIGHT		LEFT	
③ N40201	PCS 4	④ N40202	PCS 3
⑤ N40007 N40008	PCS 1	⑥ N40003	PCS 1
only A			
⑦ N40243	PCS 1	⑧ N40204	PCS 1
		⑨ N00199	PCS 1
⑩ N00189	PCS 8	⑪ N03816	PCS 4
		M8	
7x35		⑫ N30612	PCS 14
		M6	
⑬ N01816	PCS 4	⑮ N00192	PCS 4
M8x16		M8x16	
⑭ N00191	PCS 14		
M6x25			

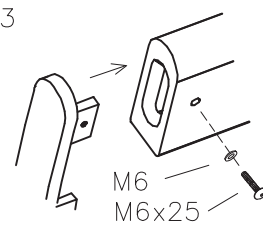
DET 1



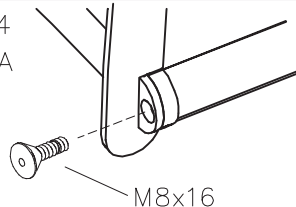
DET 2



DET 3

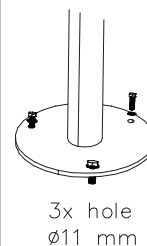


DET 4  
only A

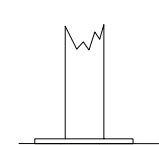


DET 5

No screws or spacers included



3x hole  
Ø11 mm



For bolting in  
concrete, wood,  
stone