

# WINAM GROUP

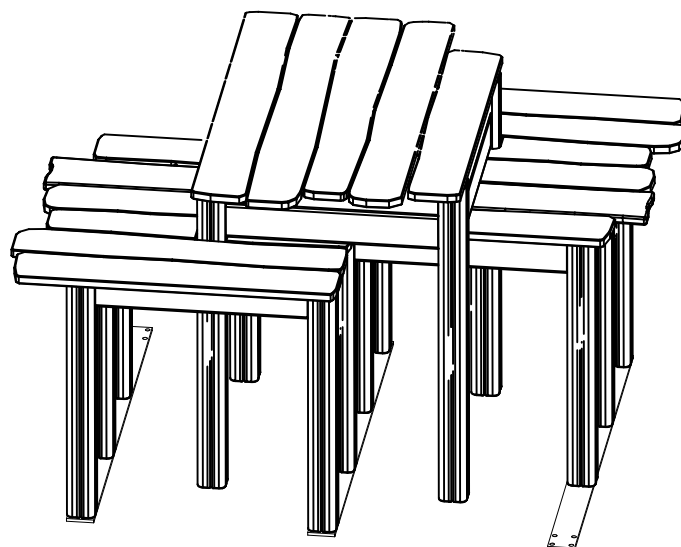


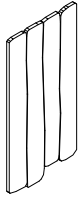
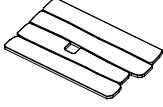
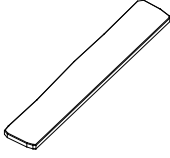
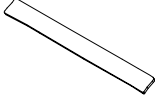
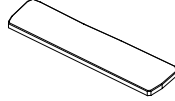
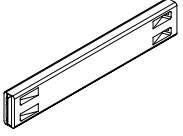
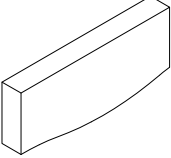
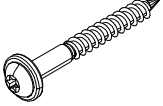
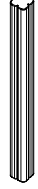

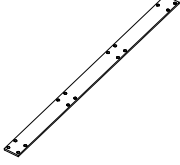
## FLORA

ASENNUSOHJE  
MONTERINGSANSVISNING  
INSTALLATION INSTRUCTION  
AUFBAUANLEITUNG  
NOTICE D'INSTALLATION

DATE: 10.3.2020

# 175564

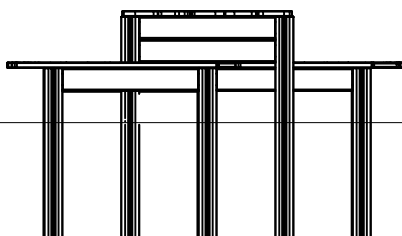
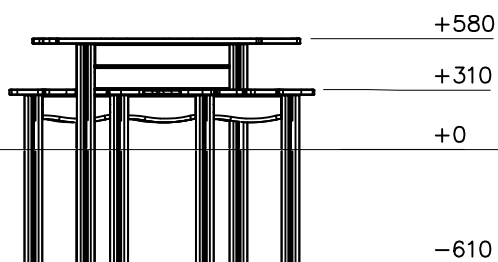
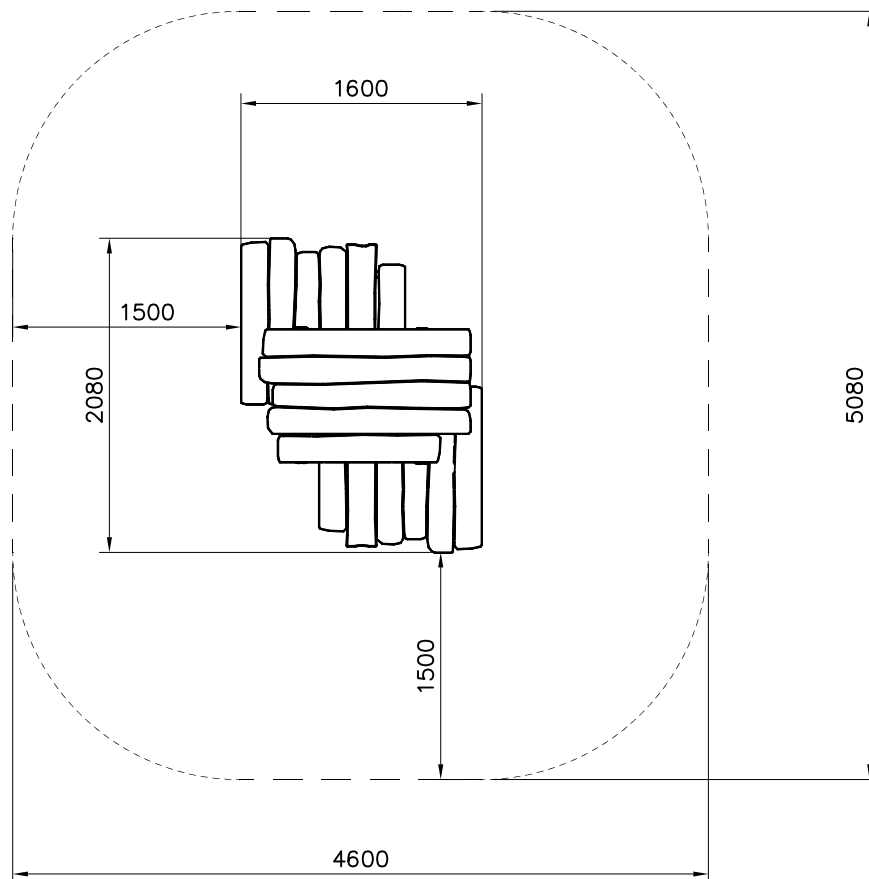
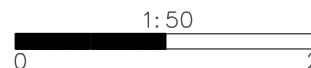


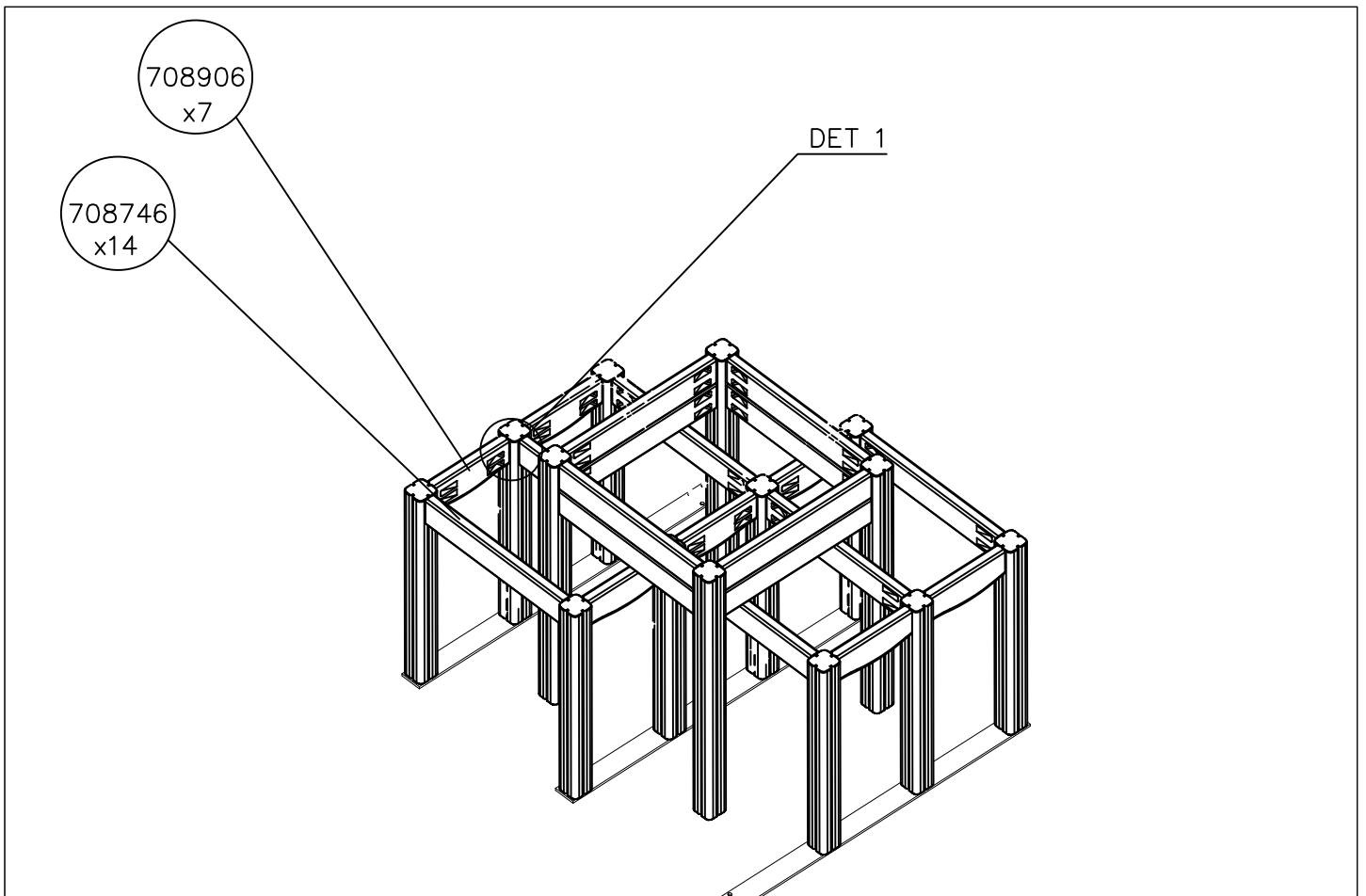
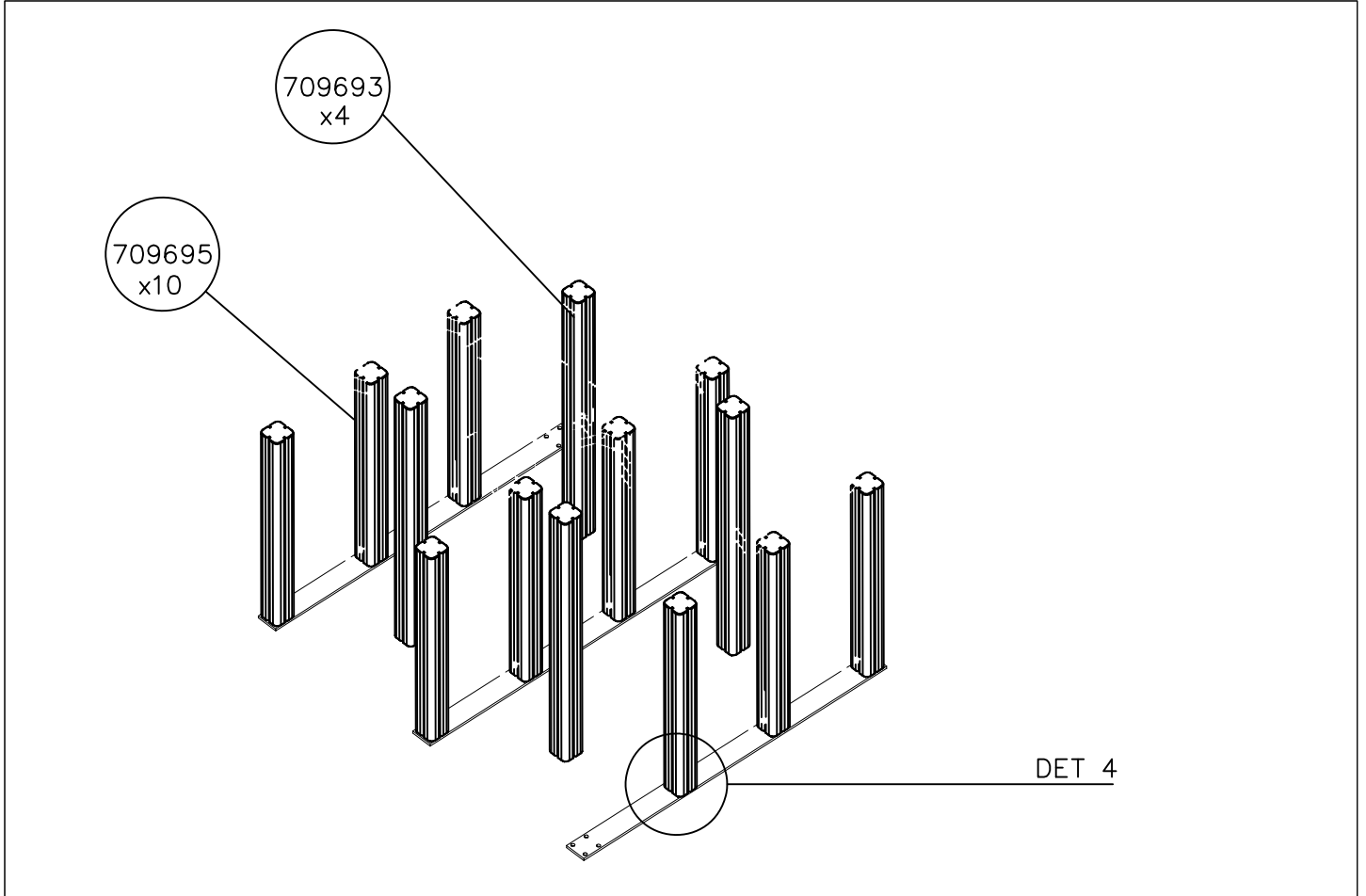
708700  700x1400	PCS 1	709689  700x1100	PCS 2	708433  700x1100	PCS 1	708372  28x200x2000	PCS 1	708913  28x700x740	PCS 2	708746  45x120x704	PCS 14
708906  45x145x372	PCS 1	900240  Ø8x70	PCS 84	709693  93x93x1150	PCS 4	709695  93x93x885	PCS 1	709691  10x90x1445	PCS 1	980101  Ø4.5x70	PCS 40
	PCS		PCS		PCS		PCS		PCS		PCS
	PCS		PCS		PCS		PCS		PCS		PCS
	PCS		PCS		PCS		PCS		PCS		PCS
	PCS		PCS		PCS		PCS		PCS		PCS
	PCS		PCS		PCS		PCS		PCS		PCS

## FLORA

DATE: 10.3.2020

----- Falling Space 12.6 m<sup>2</sup>  
Max Falling Height 580 mm



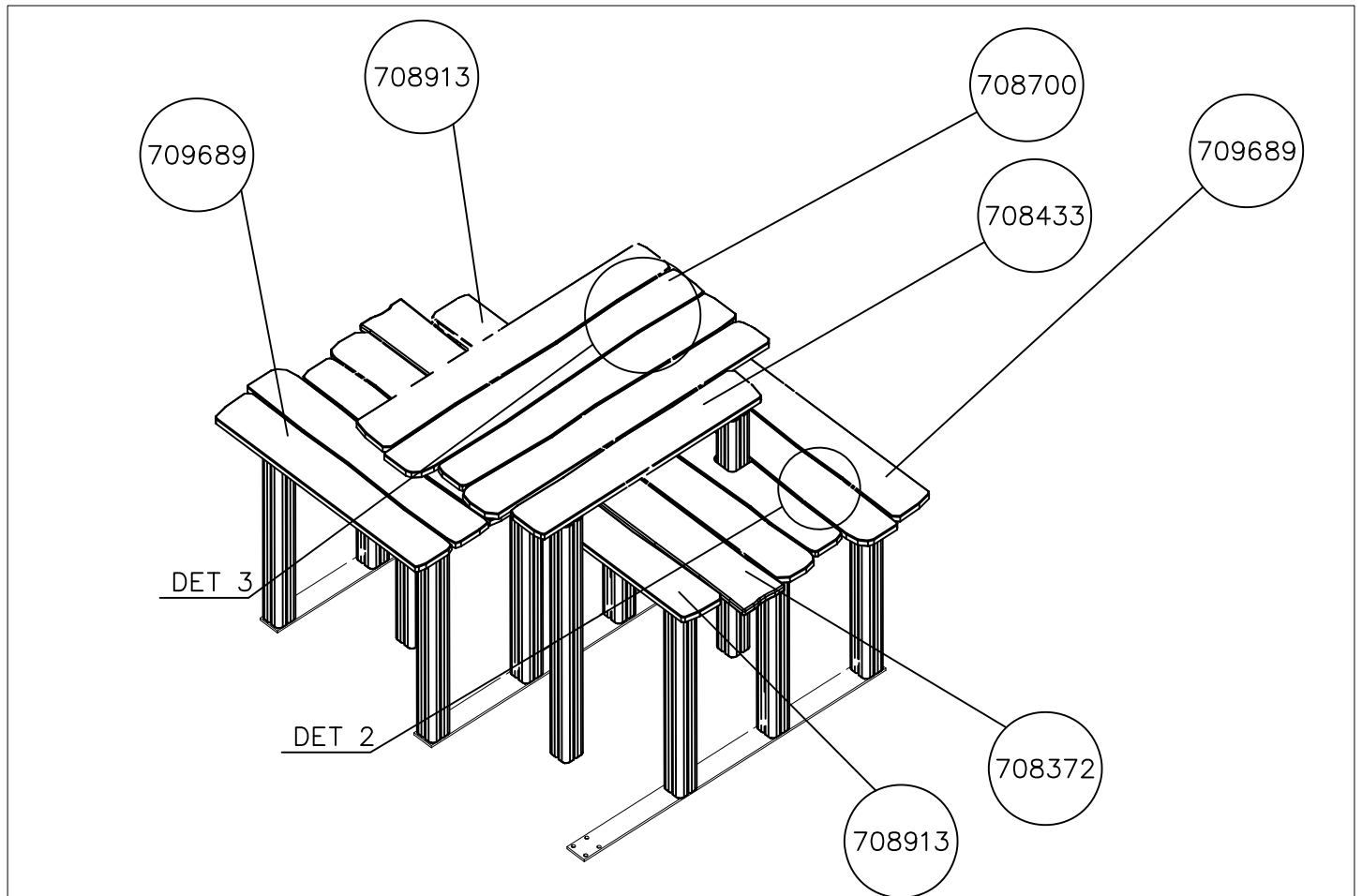


## 175564

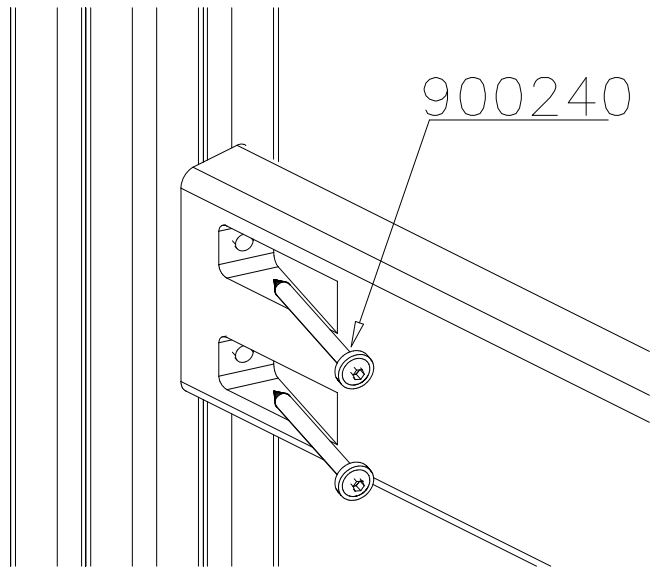
### FLORA

DATE: 10.3.2020

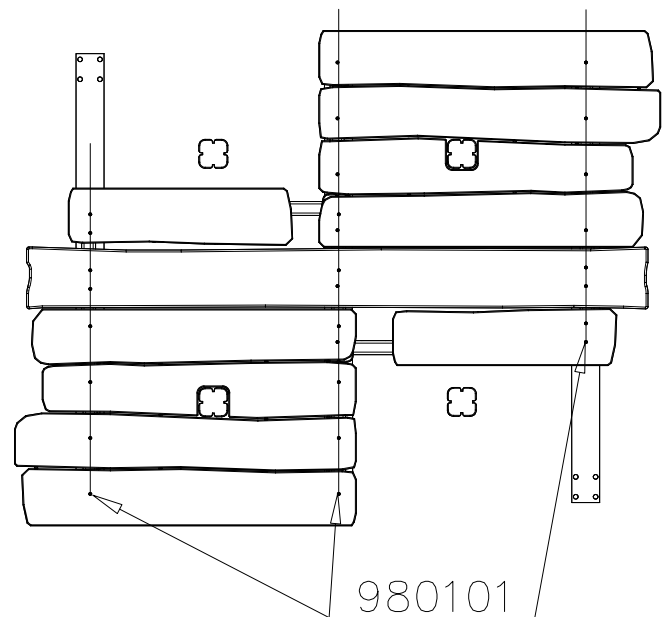
### 6a



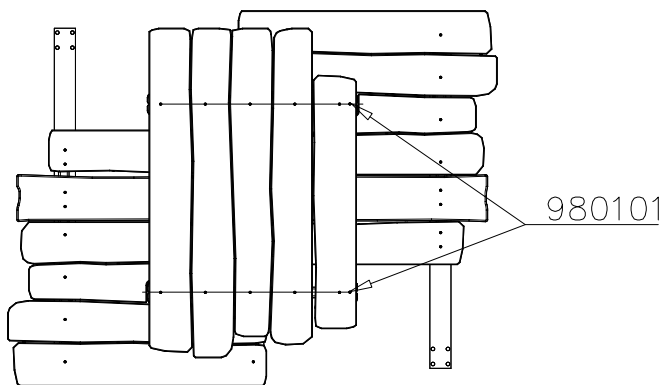
DET 1



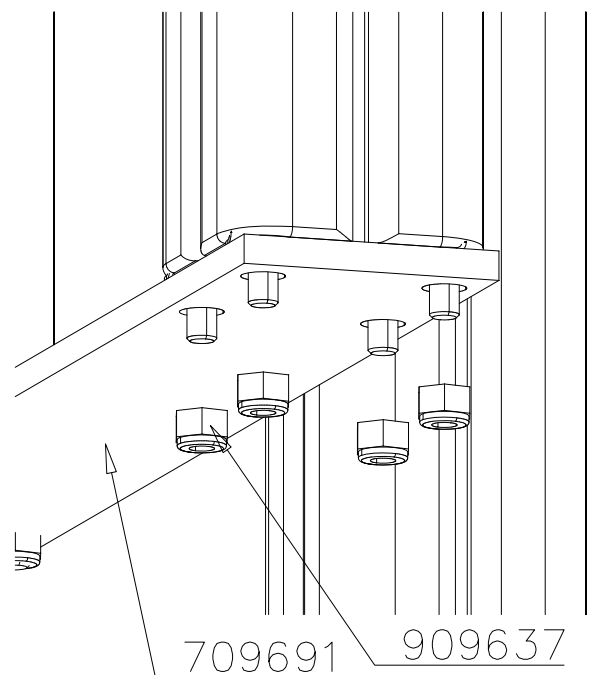
DET 2



DET 3



DET 4



Note:

When installing the elements and planks, try to center the screws 980101 with the boom under the plank.

Tasoja ja lautoja asennettaessa yritä keskittää ruuvit 980101 allaolevien puomien keskelle.

