
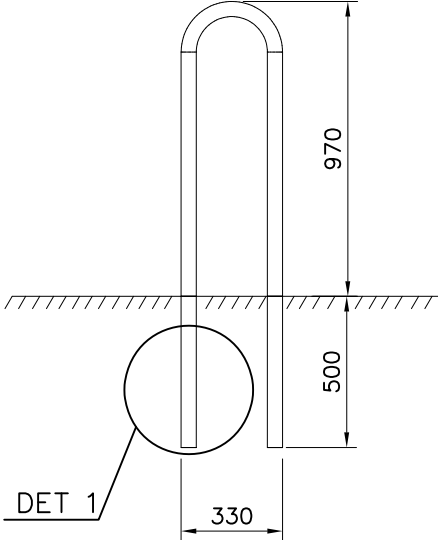
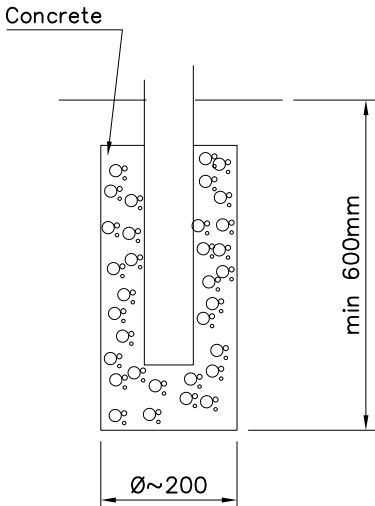
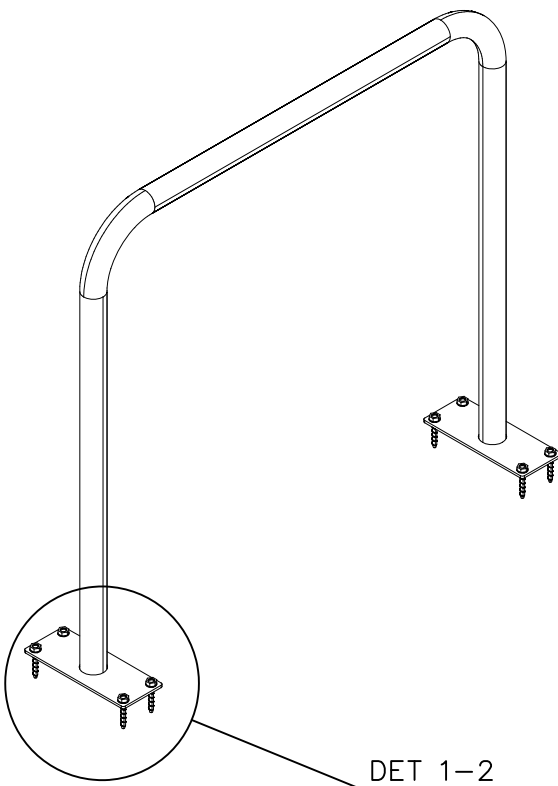

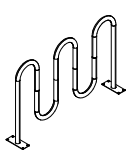
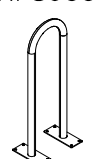
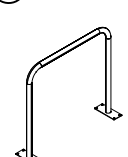
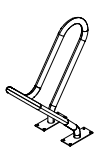
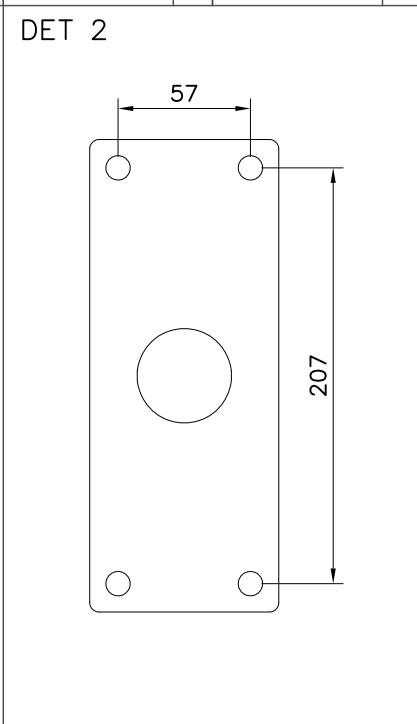
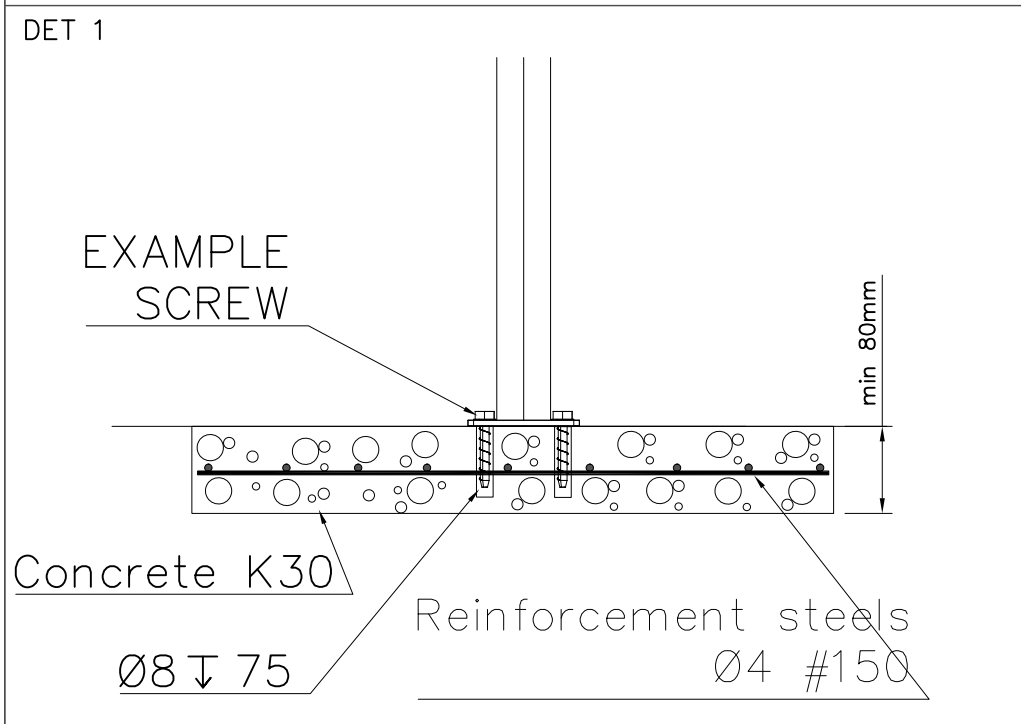
		① NF8600M 	PCS 1	PCS
			PCS	PCS
			PCS	PCS
			PCS	PCS
			DET 1  	
			PCS	PCS
			PCS	PCS
			PCS	PCS

 <p>DET 1-2</p>	PCS	EXAMPLE SCREW	PCS
			
		Ø10x60	
	PCS	○NF8500M	PCS
			1
	PCS	○NF8600M	PCS
		1	
	PCS	○NF8800M	PCS
		1	
	PCS	○NF3931M	PCS
		1	



CONCRETE SLAB SIZES

