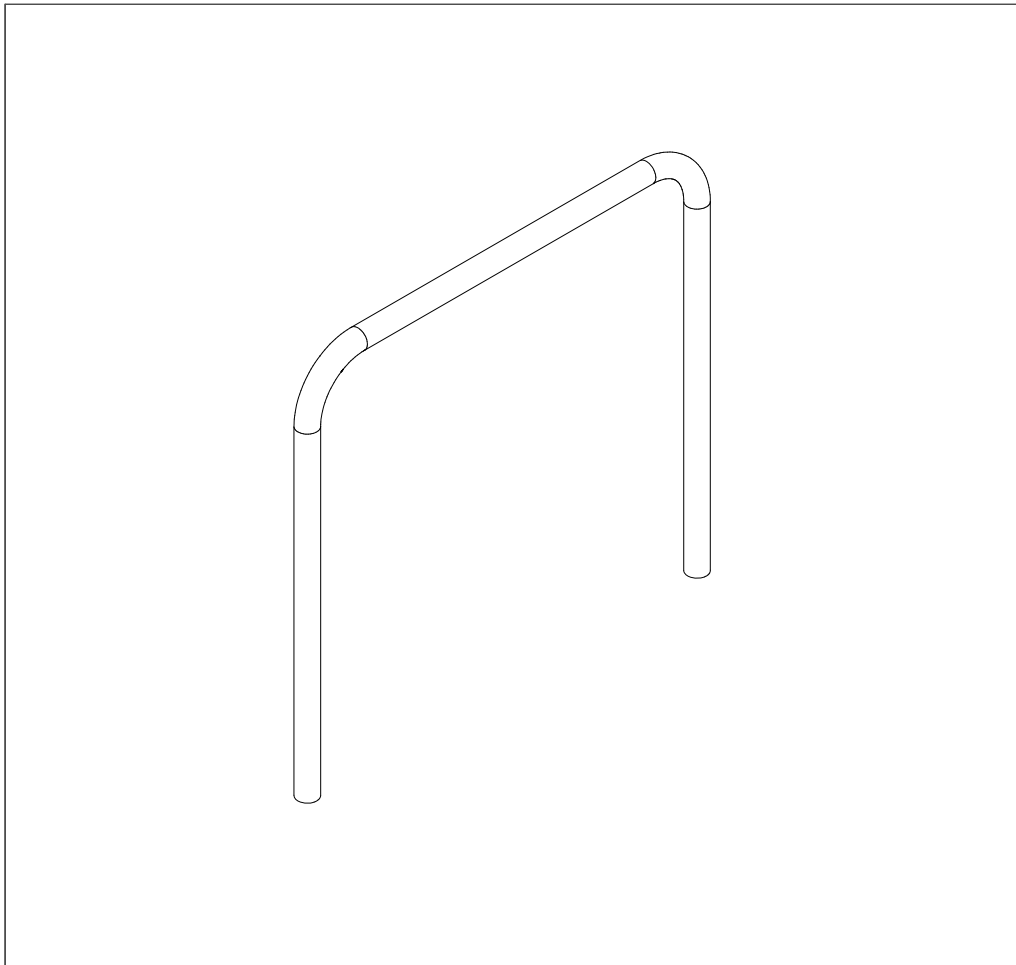


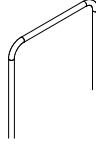
WINAM GROUP

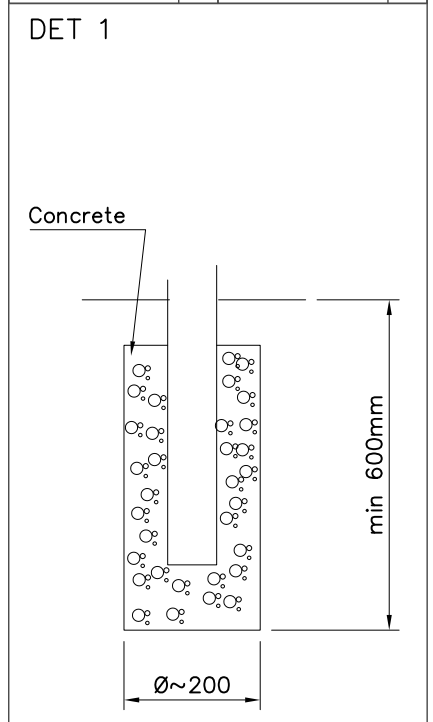
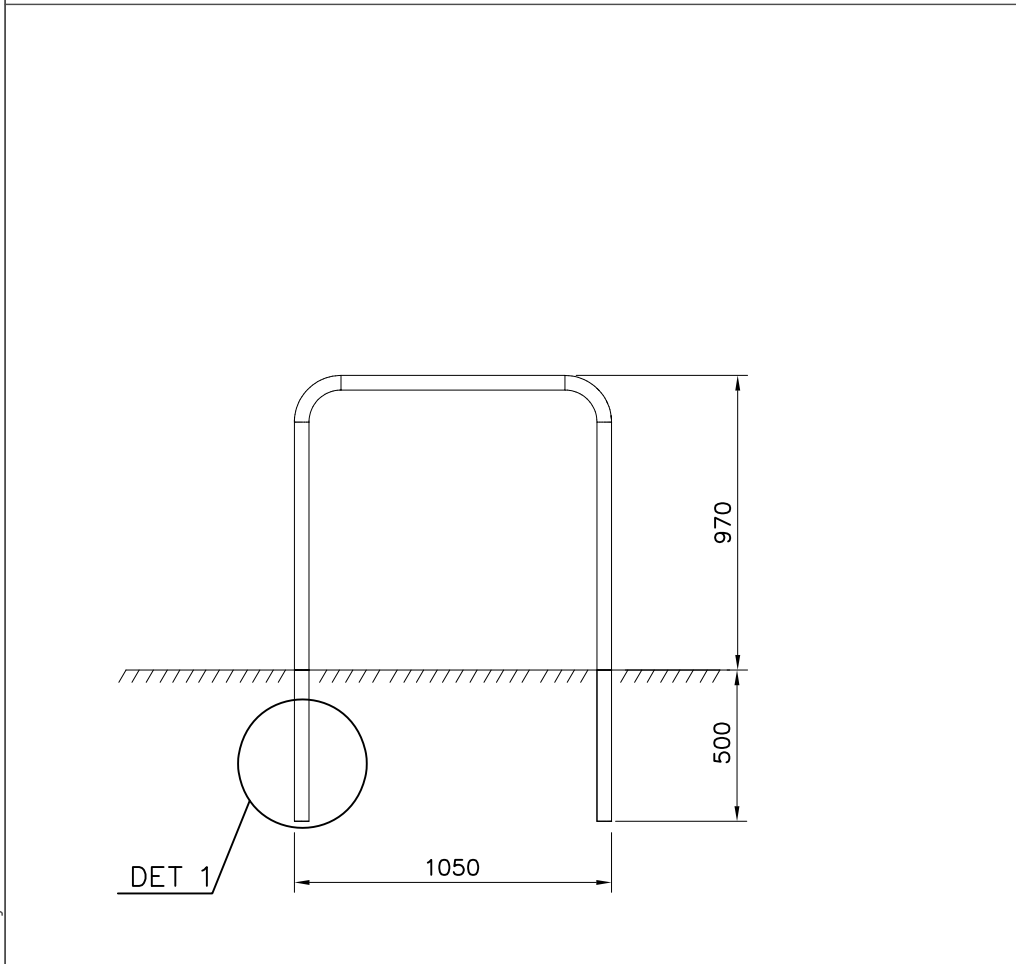
PARK DEEP

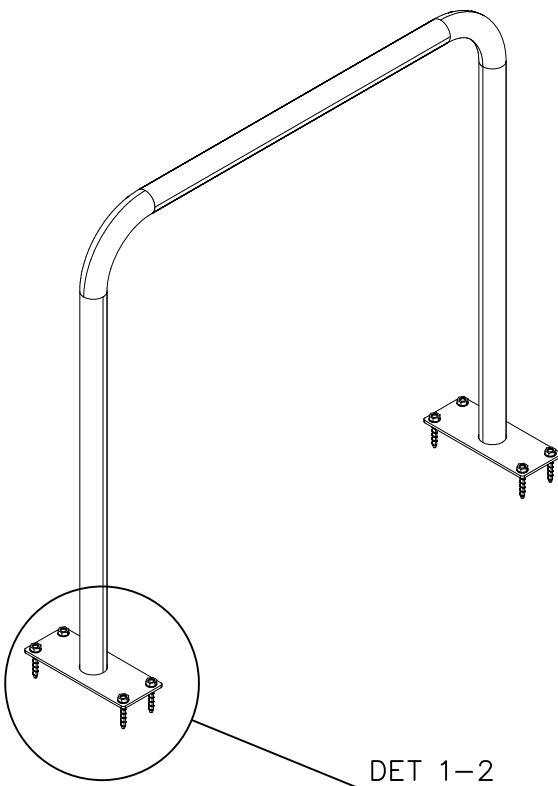

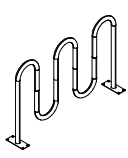
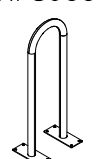
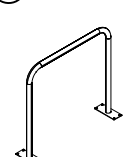
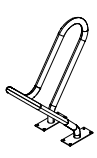
NF8800M

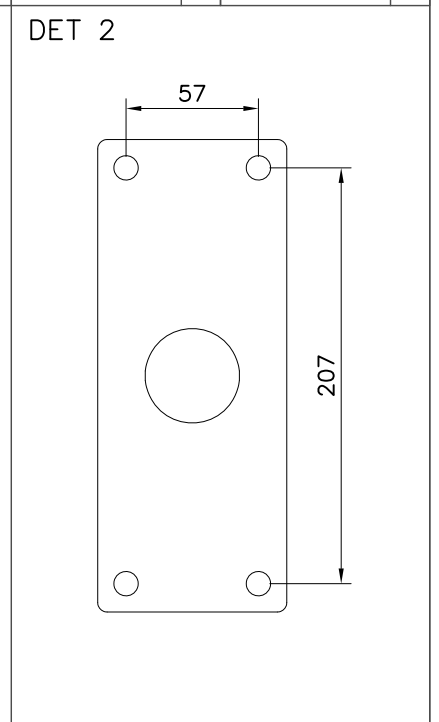
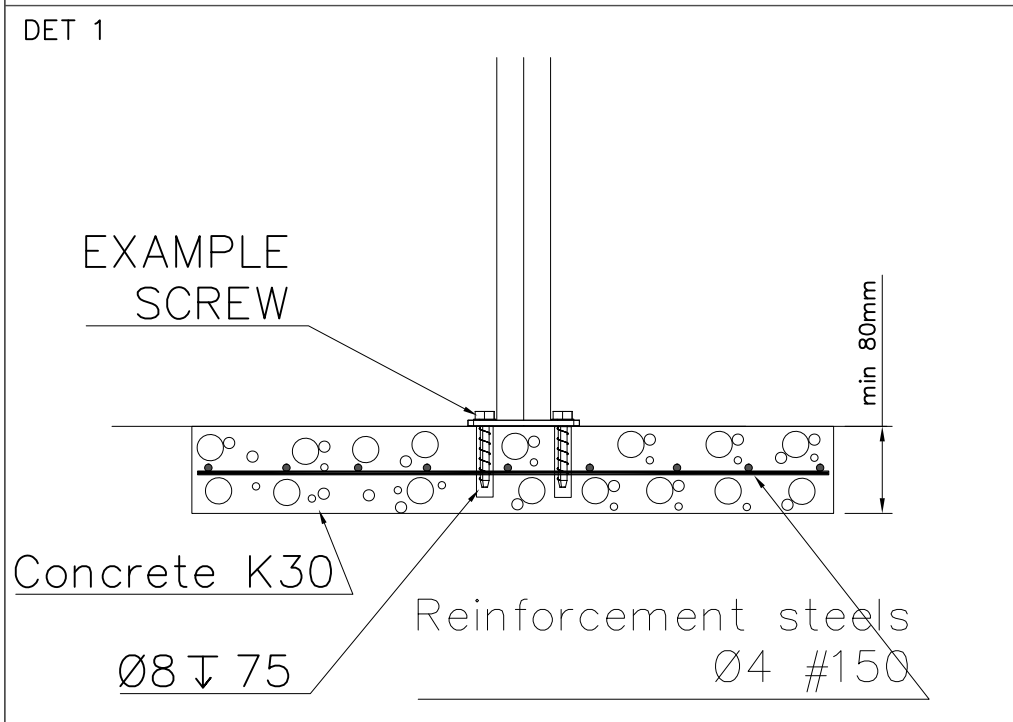
DATE: 30.3.2020



① NF8800M 	PCS		PCS
	1		
	PCS		PCS
	PCS		PCS
	PCS		PCS
	PCS		PCS



 <p>DET 1-2</p>	PCS	EXAMPLE SCREW	PCS
			
		Ø10x60	
	PCS	○NF8500M	PCS
			1
	PCS	○NF8600M	PCS
		1	
	PCS	○NF8800M	PCS
		1	
	PCS	○NF3931M	PCS
		1	



CONCRETE SLAB SIZES

