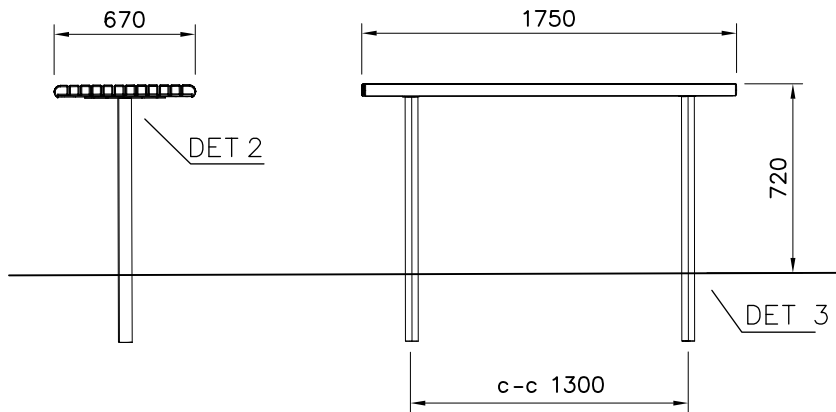
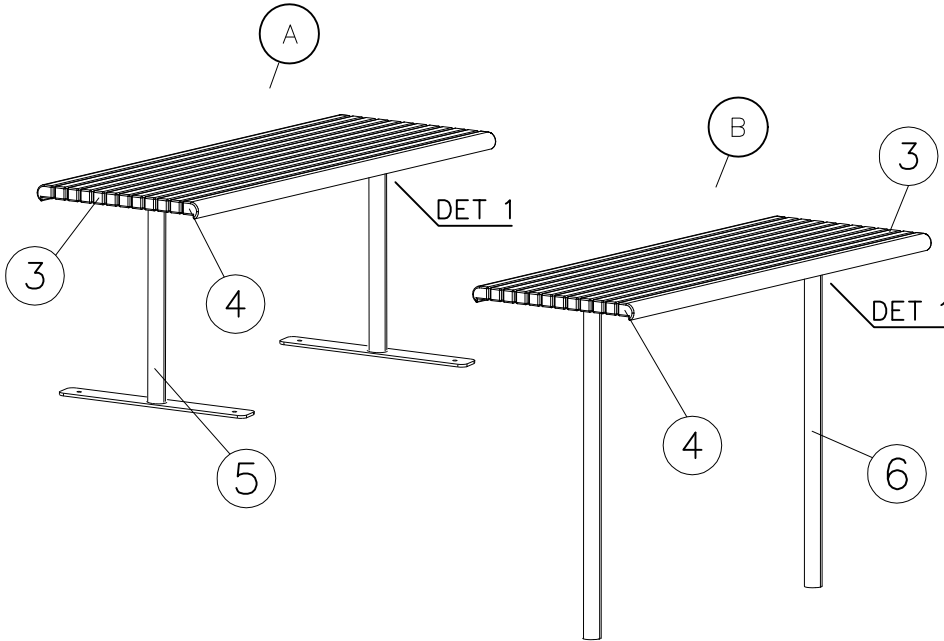
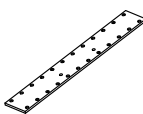
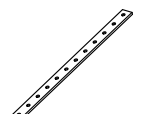

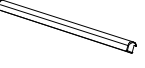
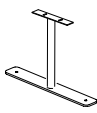

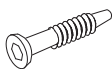


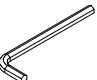


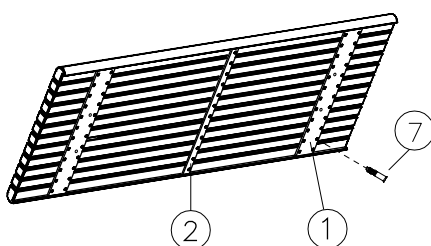
ATTENTION! Product is delivered partly assembled A NFJ2092
 NOTERA! Produkten levereras delvis monterad B NFJ2093



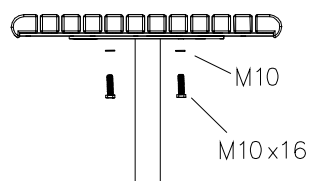
① N902503	PCS	② N902702	PCS
	2		1
③ N702403	PCS	④ N702404	PCS
			2
⑤ N902497	PCS	⑥ N902679	PCS
	2		2
only A		only B	
⑦ N00109	PCS	⑧ N11016	PCS
	60		4
7x30		M10x16	
⑨ N31028	PCS	⑩ N00134	PCS
	4		1
M10			
	PCS		PCS

DET 1

All wooden parts pre-drilled
 Alla träkomponenter är förborrade

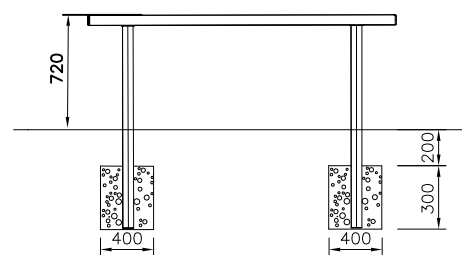


DET 2



DET 3

only B



Concrete sizes: D400 x 300