

# **WINAM GROUP**

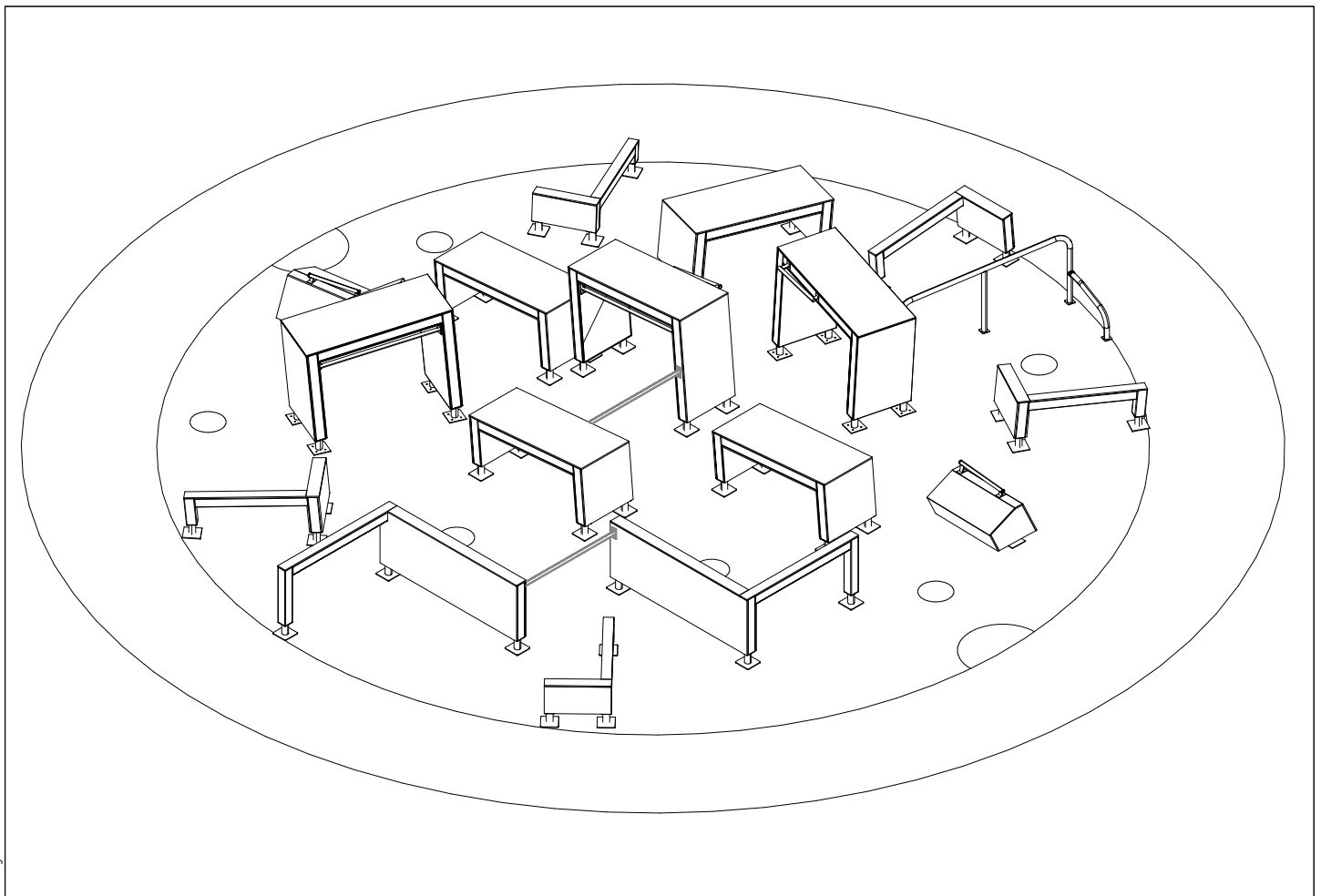
## **DASH PARKOUR**



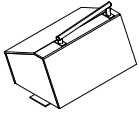
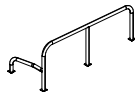
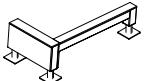
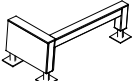
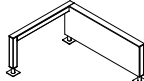
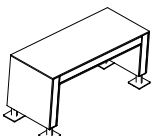






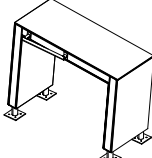
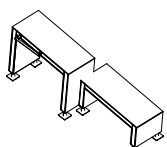
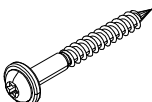

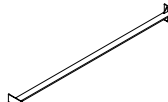
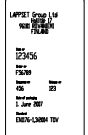


ASENNUSOHJE  
MONTERINGSANSVISNING  
INSTALLATION INSTRUCTION  
AUFBAUANLEITUNG  
NOTICE D'INSTALLATION

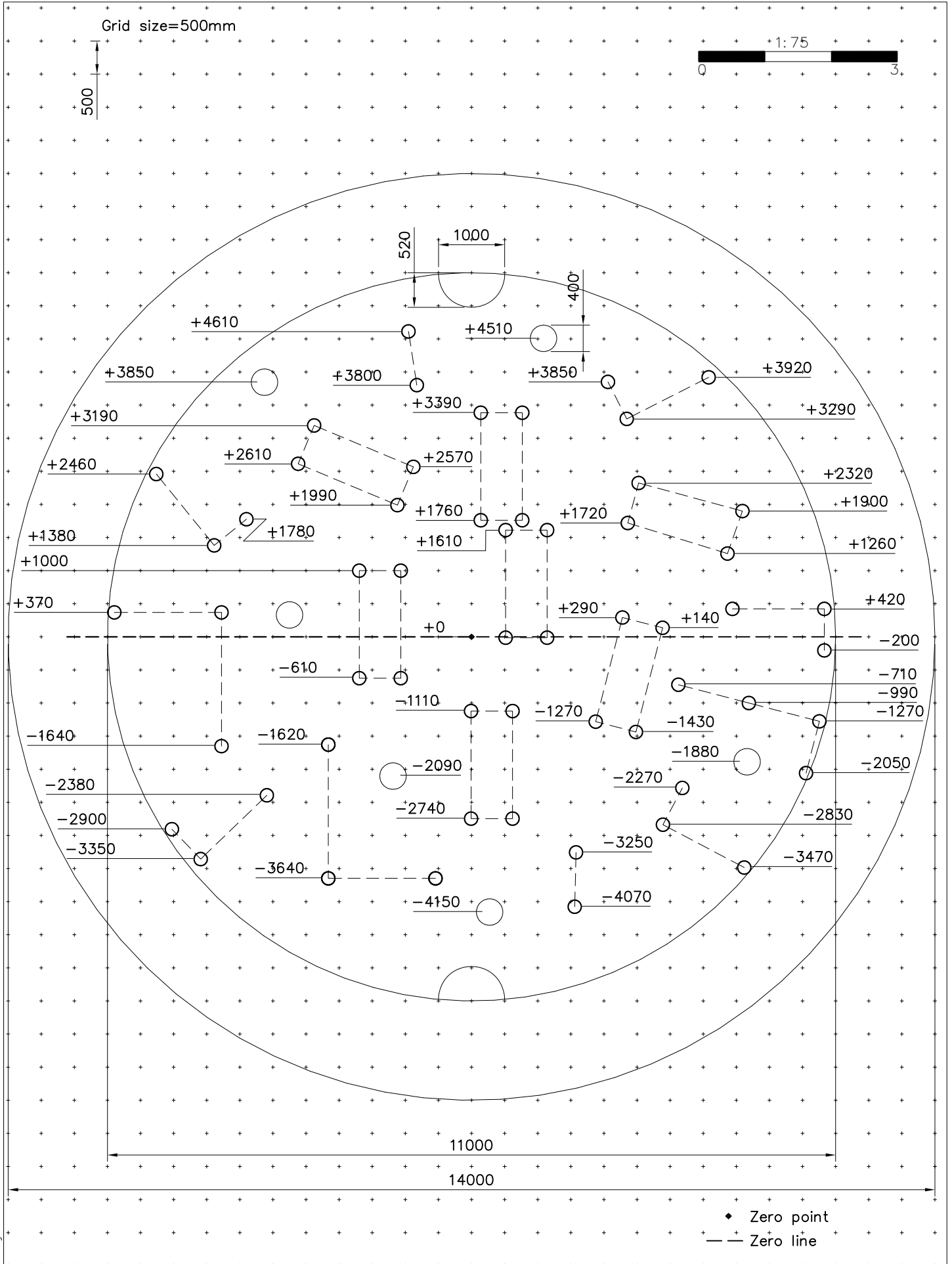
DATE: 8.9.2020

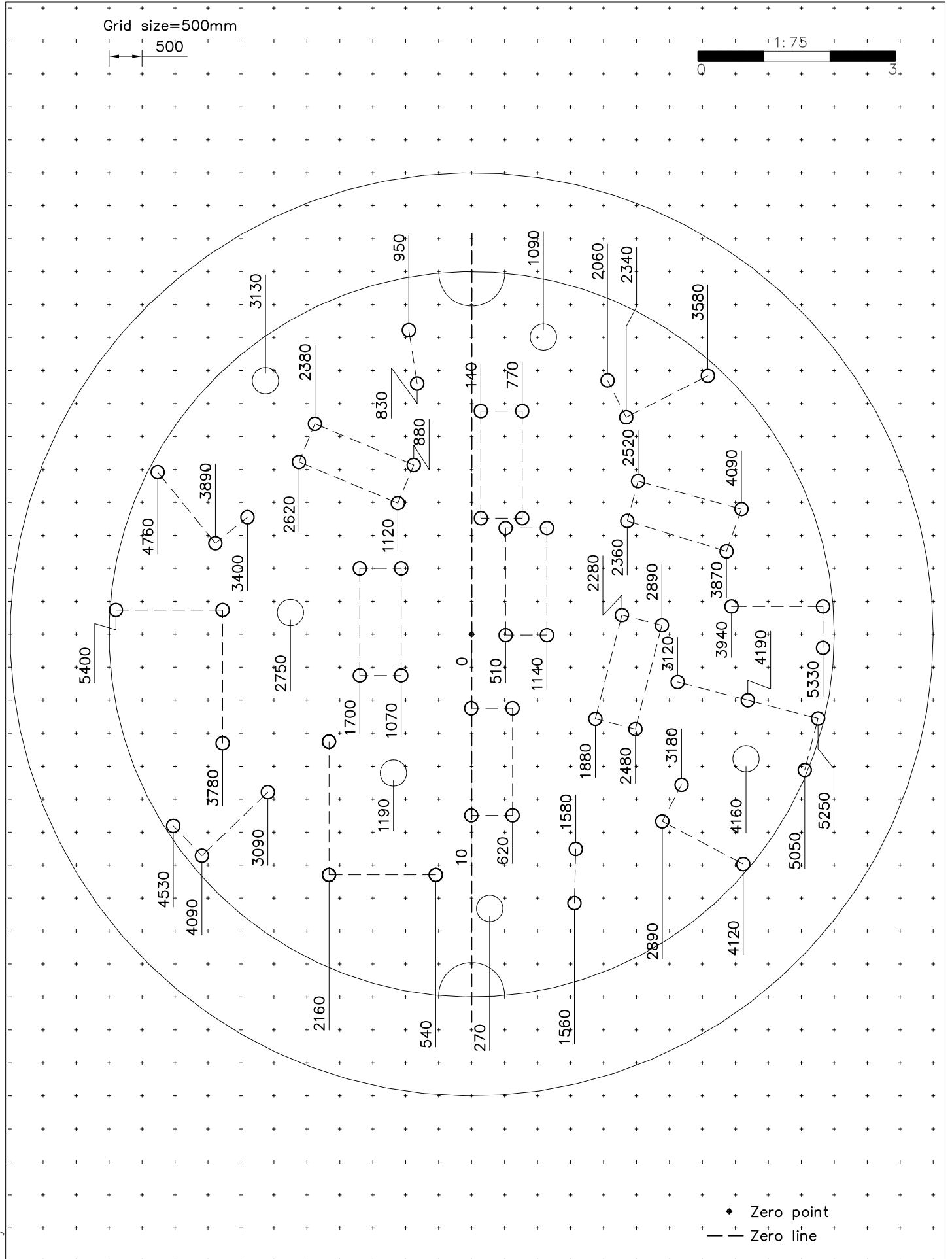
### **081790M**



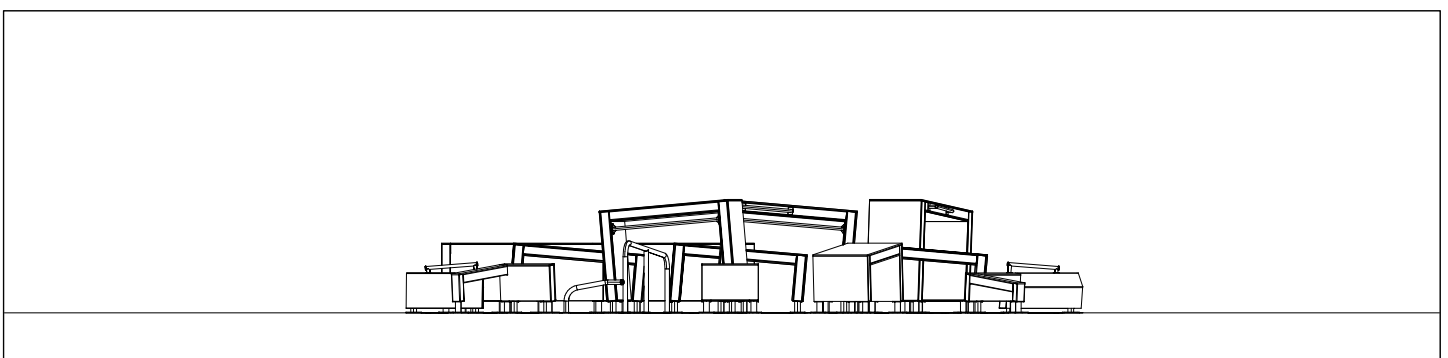
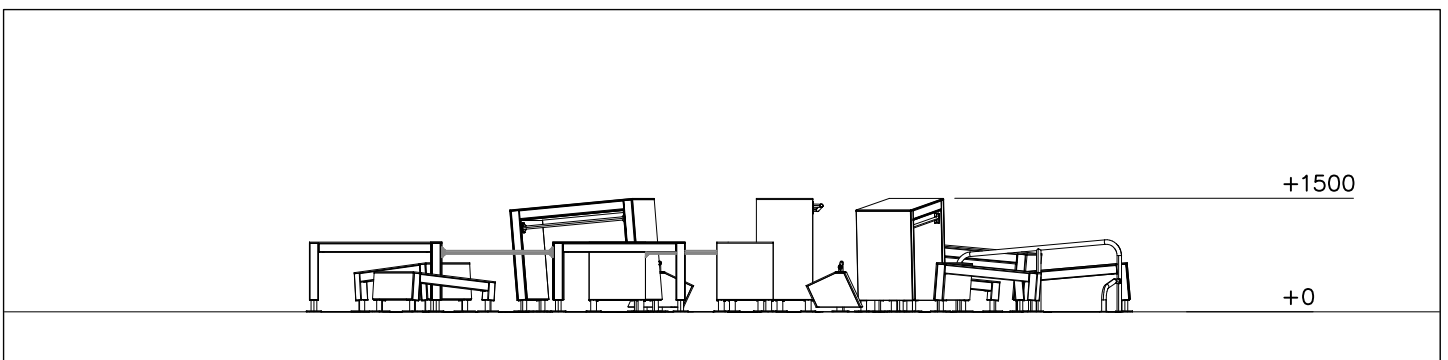
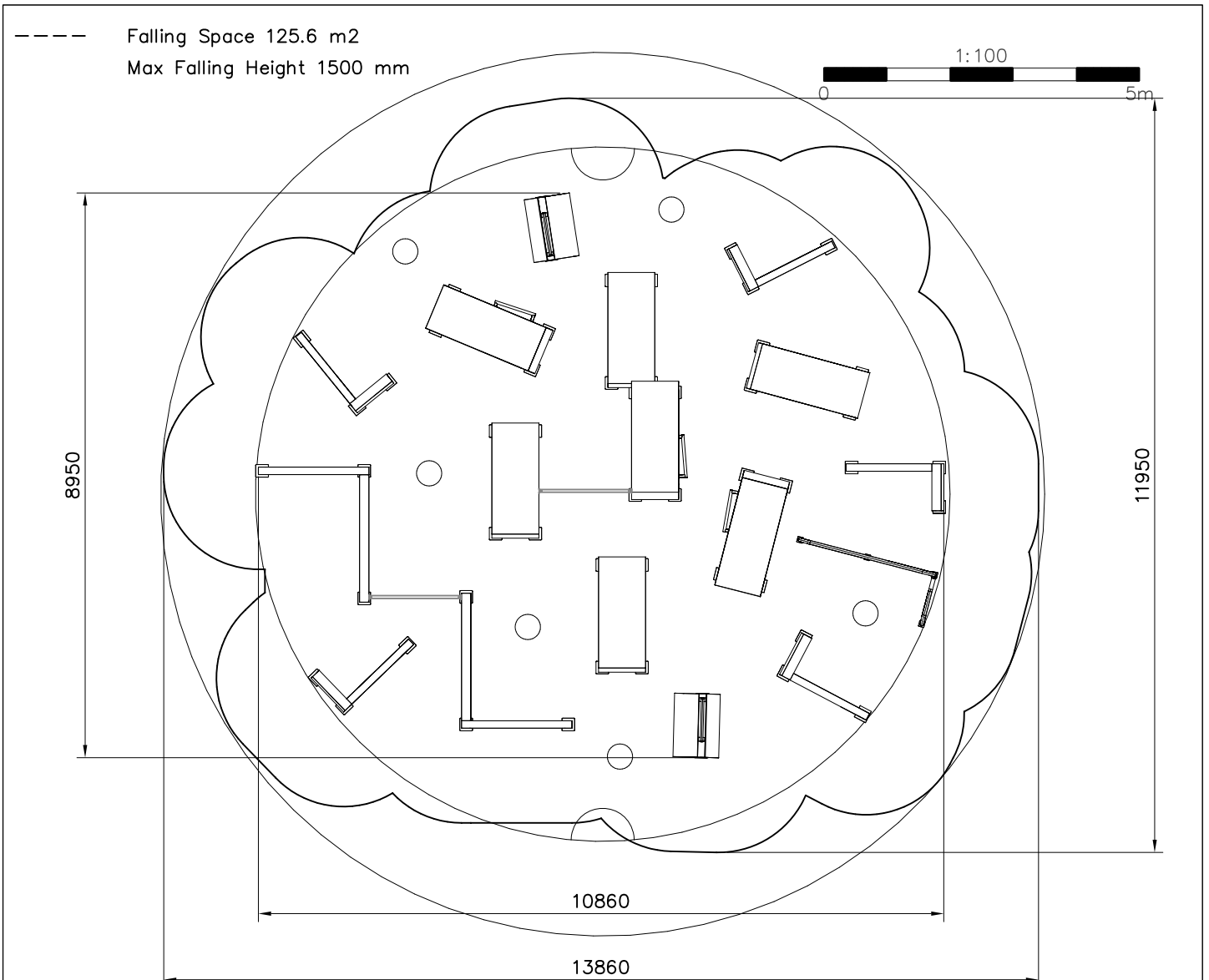
DATE: 8.9.2020

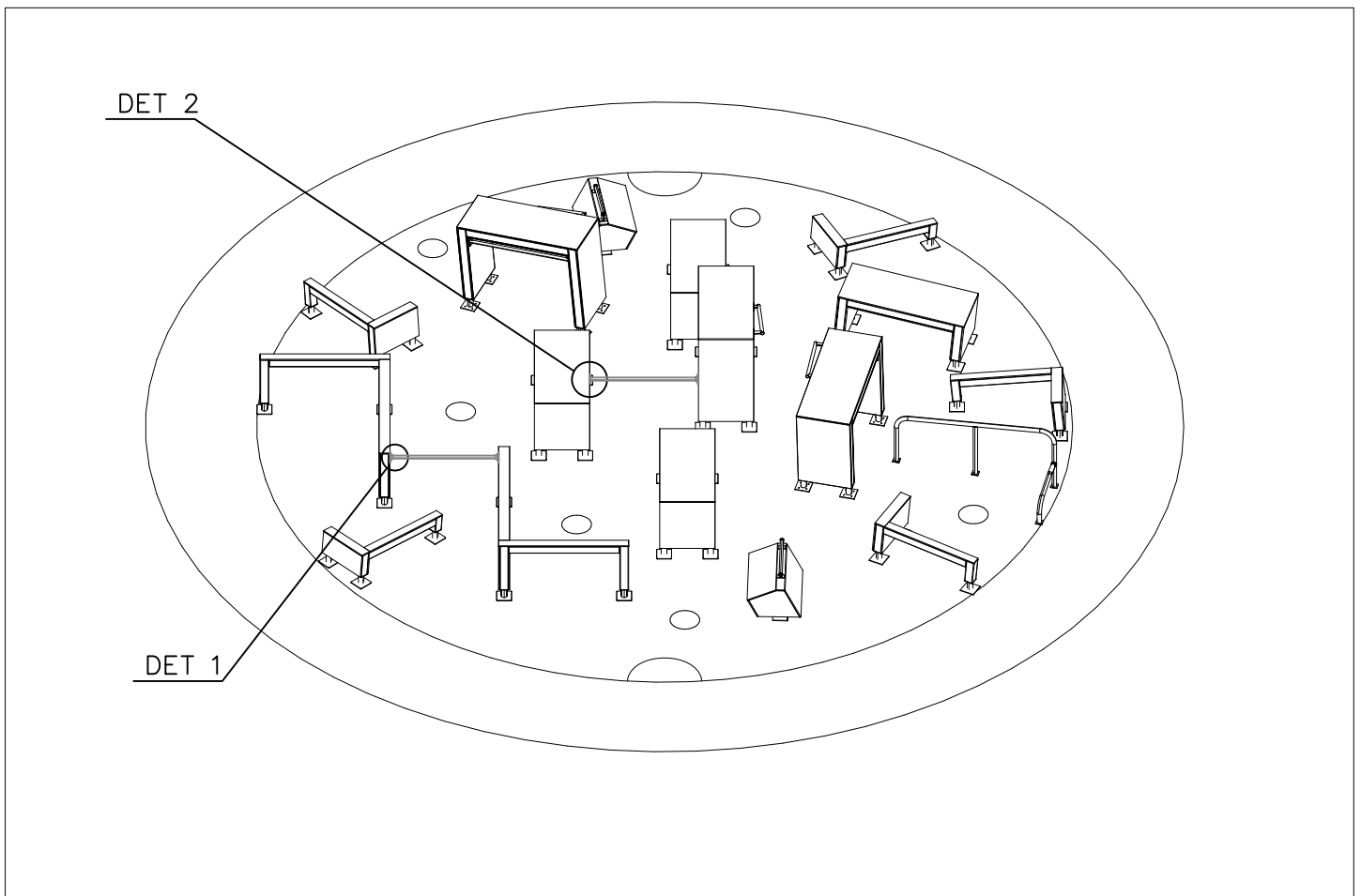
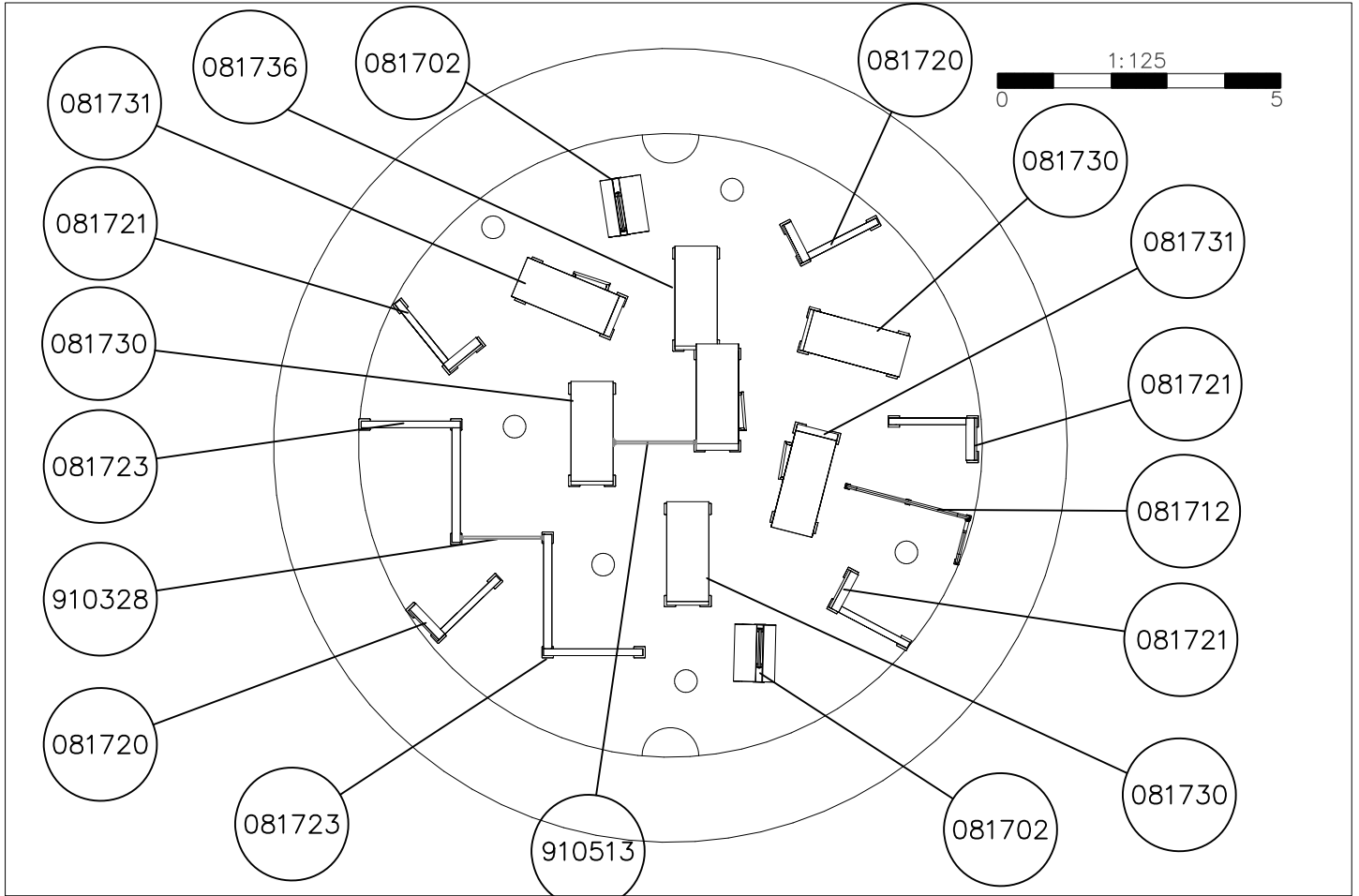
081702M	PCS 2	081712M	PCS 1	081720M	PCS 2	081721M	PCS 3	081723M	PCS 2	081730M	PCS 3
											
											
081731M	PCS 2	081736M	PCS 1	900240	PCS 16	910328	PCS 1	910513	PCS 1	702341	PCS 1
											
				Ø8x70		L 1466		L 1466		90x50	
	PCS		PCS		PCS		PCS		PCS		PCS
	PCS		PCS		PCS		PCS		PCS		PCS
	PCS		PCS		PCS		PCS		PCS		PCS
	PCS		PCS		PCS		PCS		PCS		PCS

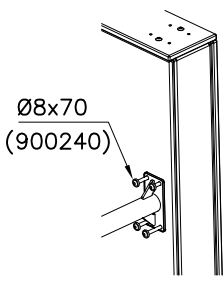
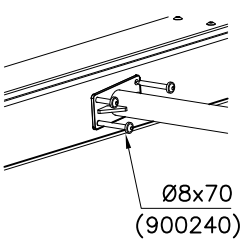


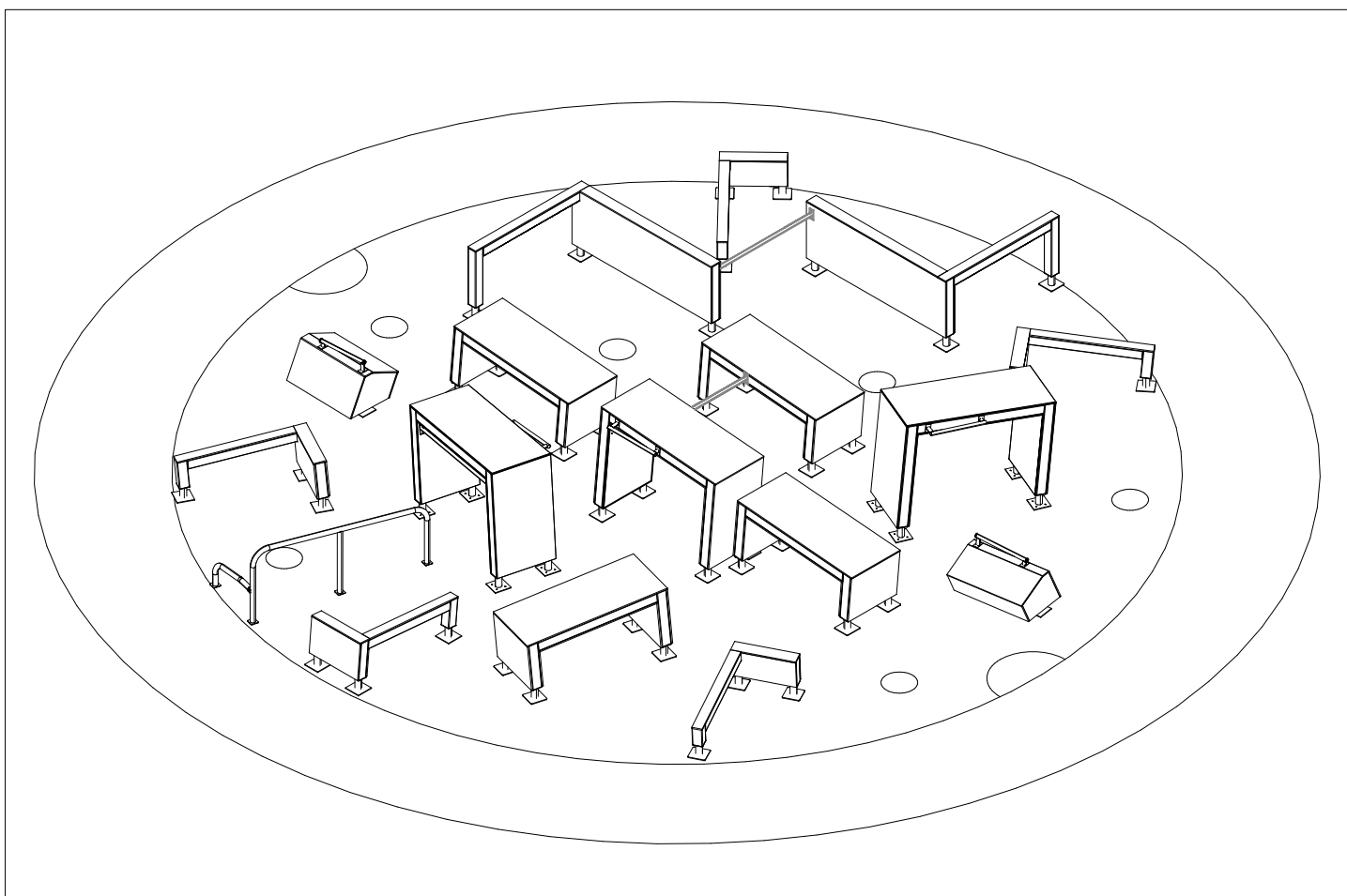
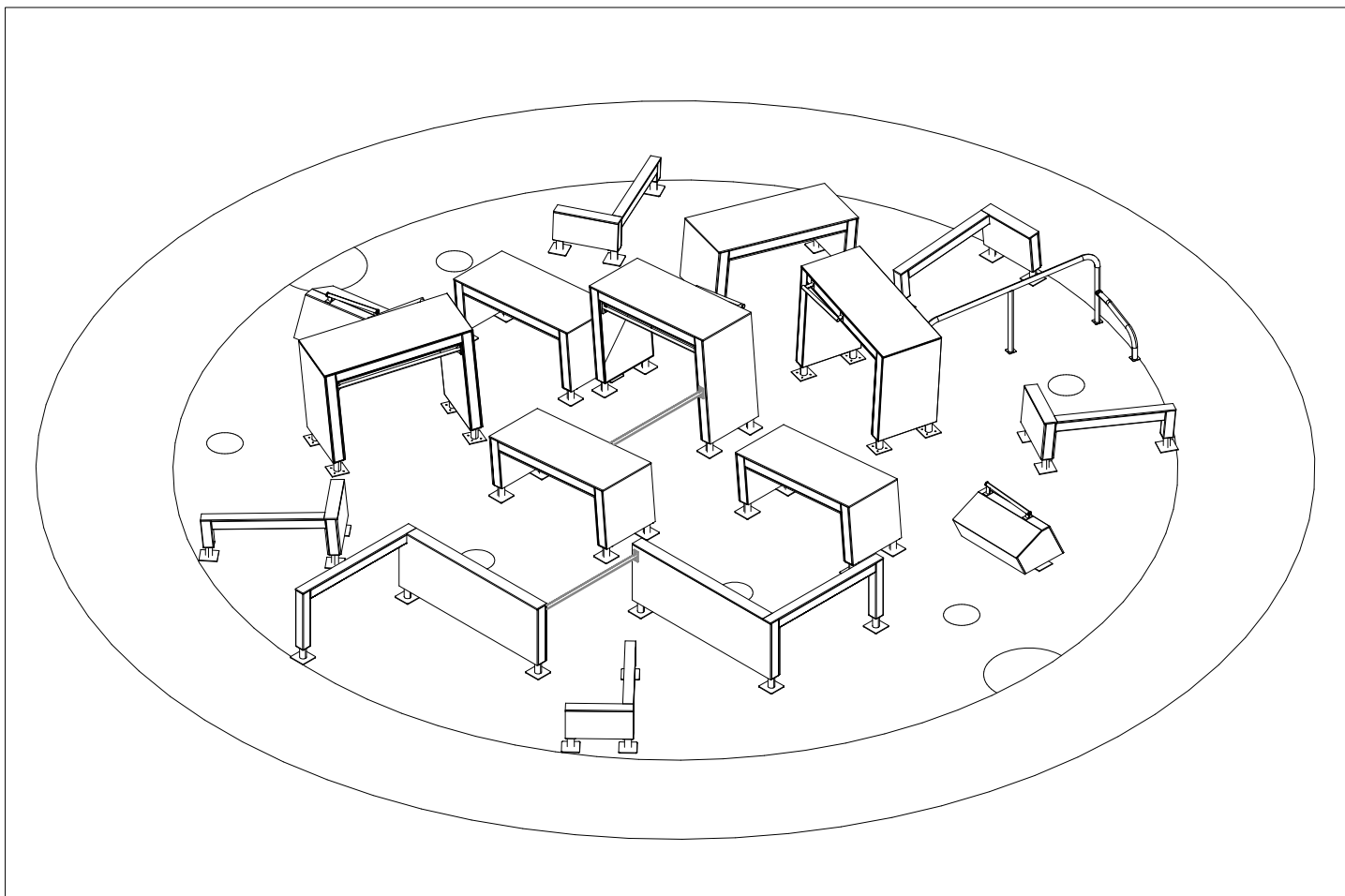


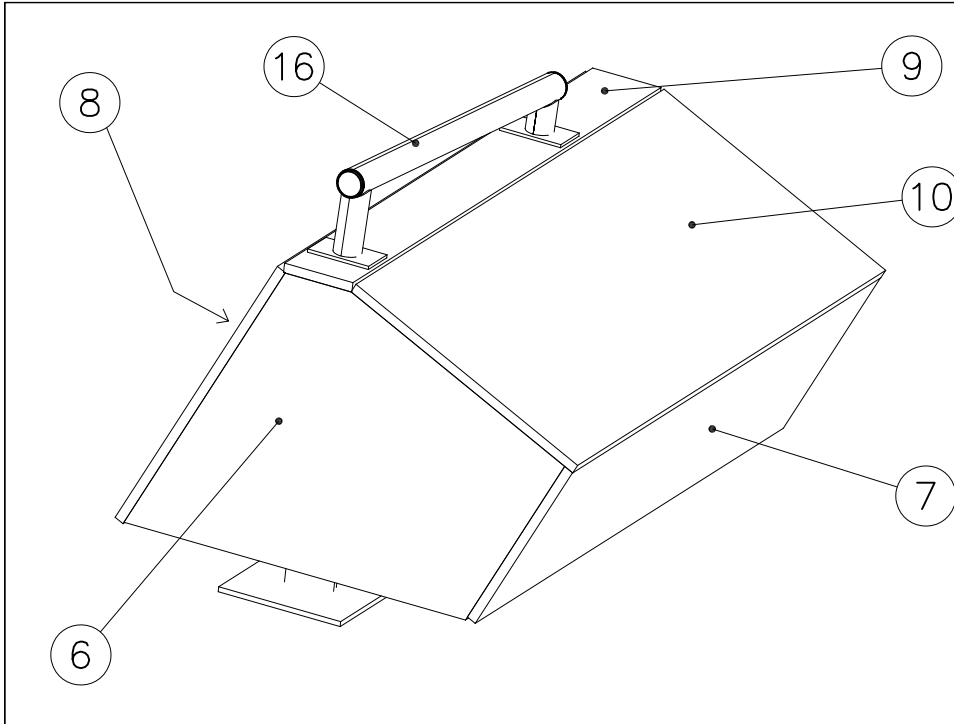


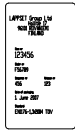




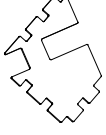


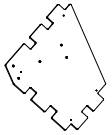
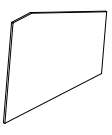
<p>DET 1</p>  <p>Ø8x70 (900240)</p>	<p>DET 2</p>  <p>Ø8x70 (900240)</p>		











①	702341	PCS	②	708109	PCS
		1			2
	90x50			118x118x697	


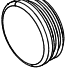
③	708443	PCS	④	708848	PCS
		2			2
	118x118x352			18x450x690	

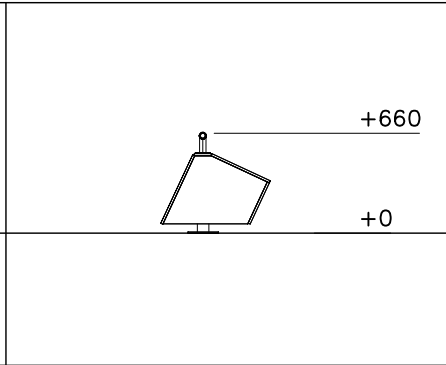
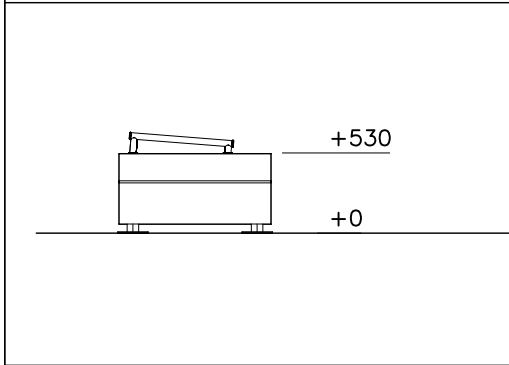
⑤	708849	PCS	⑥	708850	PCS
		2			2
	18x450x690			15x450x690	

⑦	708851	PCS	⑧	708852	PCS
		1			1
	15x300x1005			15x500x1005	

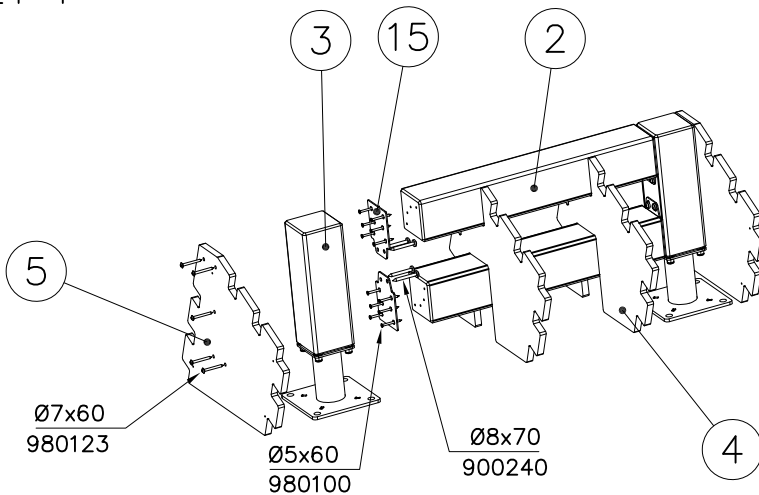
⑨	708853	PCS	⑩	708854	PCS
		1			1
	15x112x1005			15x425x1005	

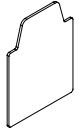
⑪	708855	PCS	⑫	900240	PCS
		8			8
	45x45x975			Ø8x70	

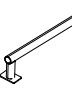
⑬	903093	PCS	⑭	908371	PCS
		4			2
	Ø8x90			42-38/40	





### DET 1





⑮	908698	PCS
		4
	3x114x108	

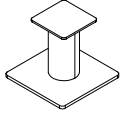

⑯	910056	PCS
		1
	140x690	

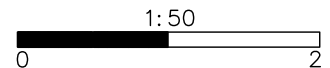
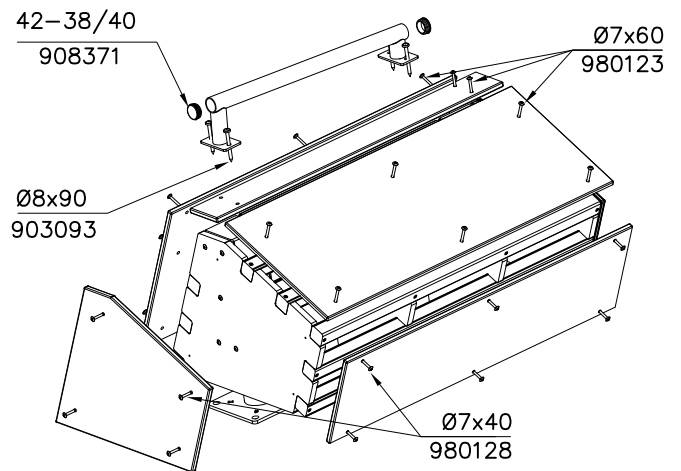
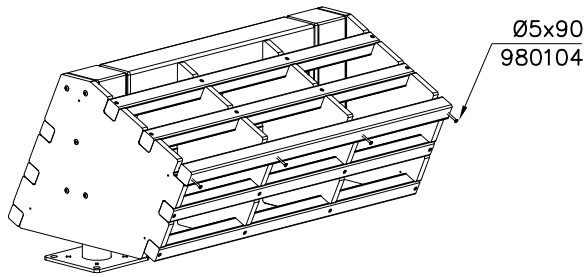
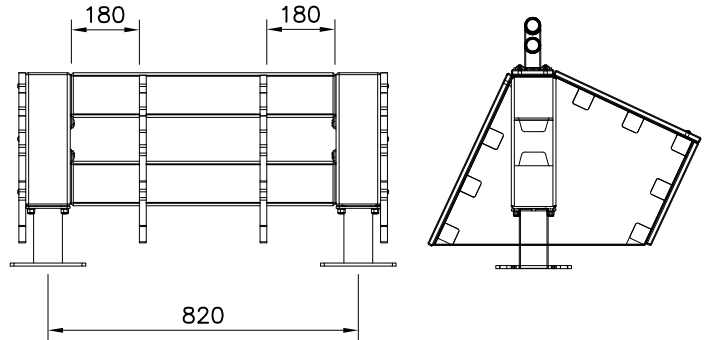
⑰	980100	PCS
		24
	Ø5x60	

⑱	980104	PCS
		32
	Ø5x90	

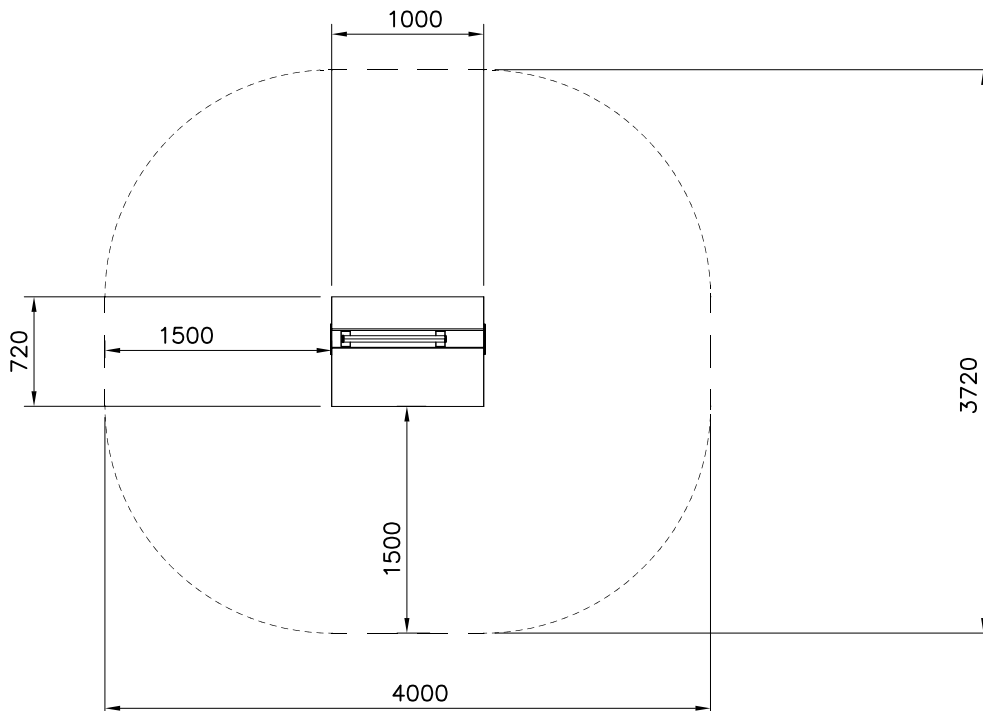
⑲	980123	PCS
		27
	Ø7x60	

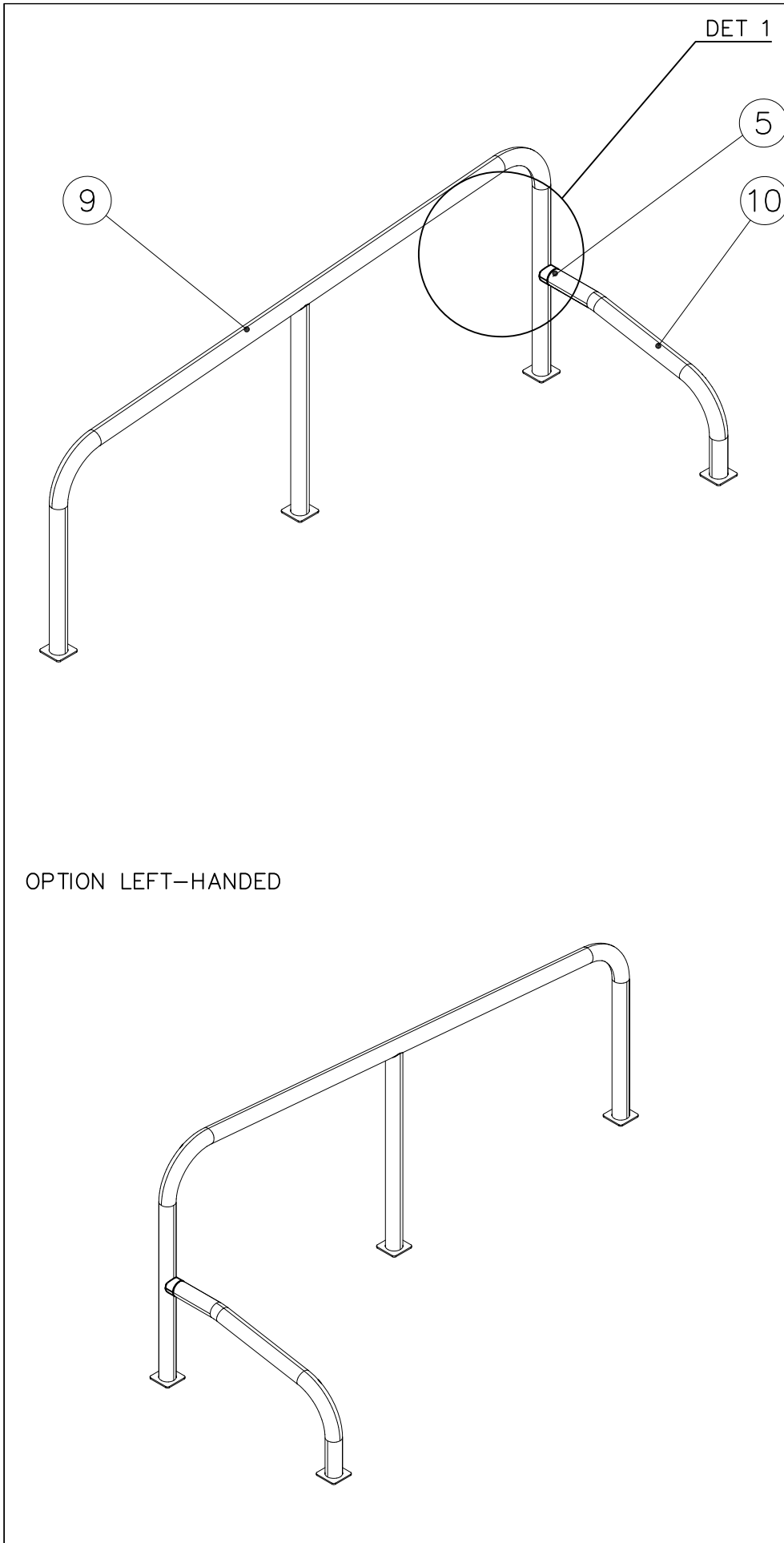
⑳	980128	PCS
		14
	Ø7x40	



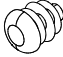
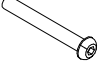
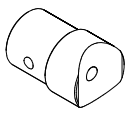
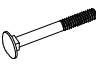


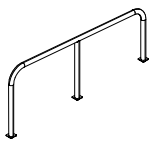
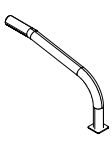

709261+		709262+	
○ 910330	PCS	○ 910567	PCS
SURFACE	2	CONCRETE	2
			
152x200x200		117x117x715	



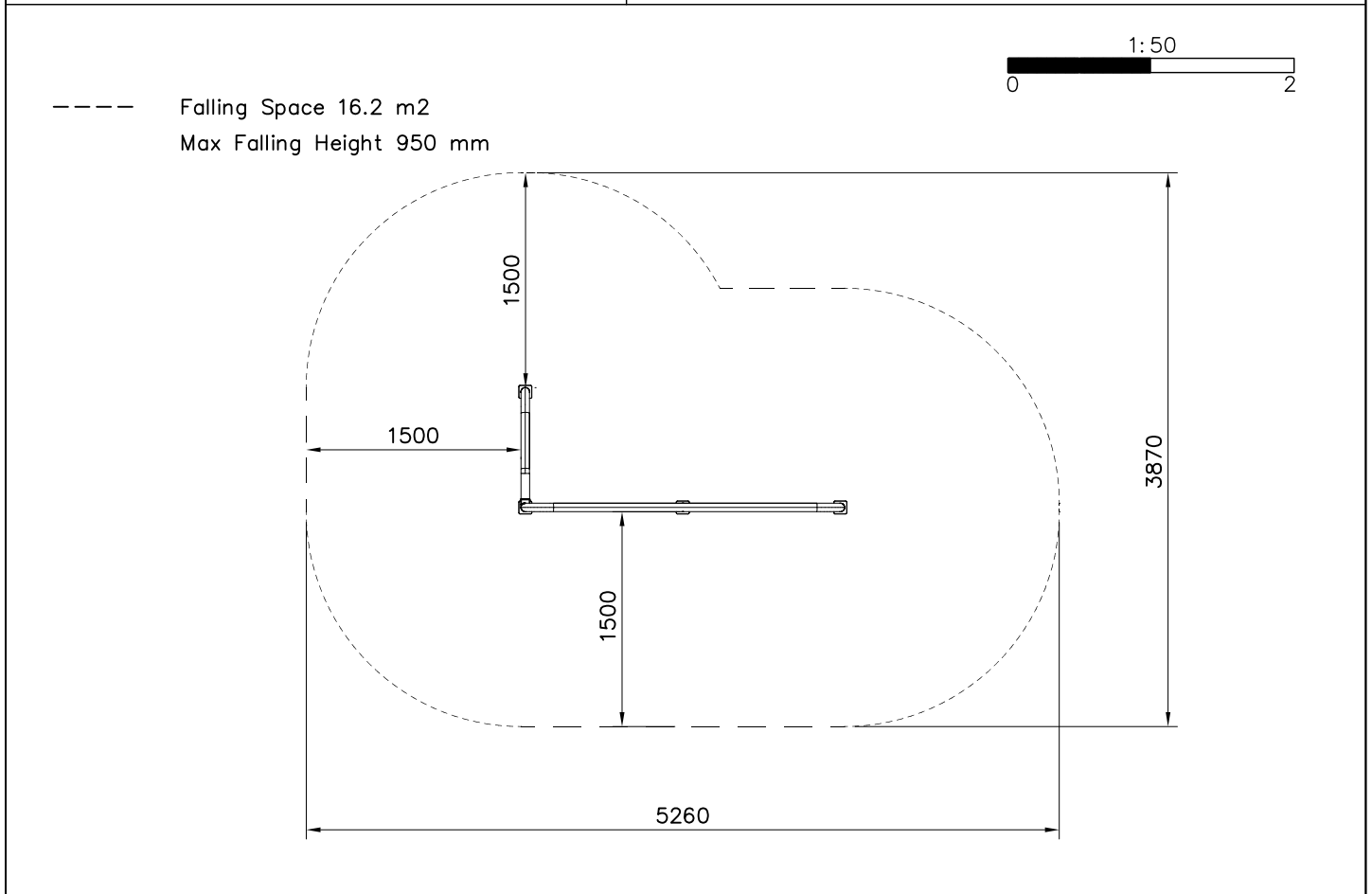
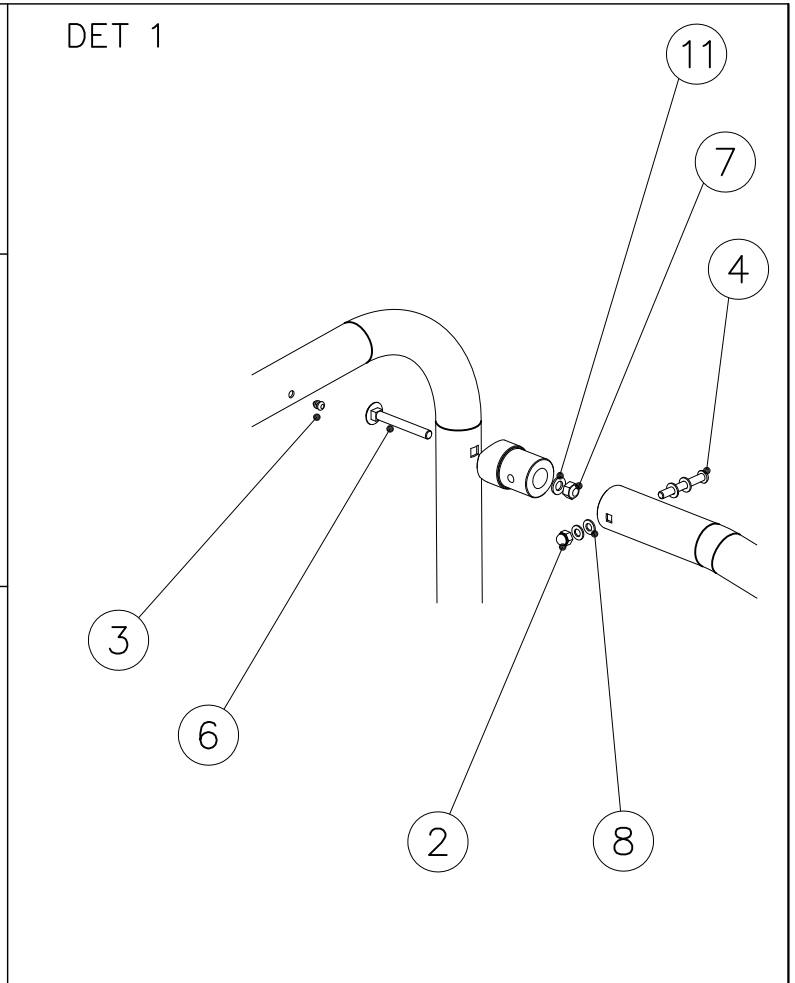
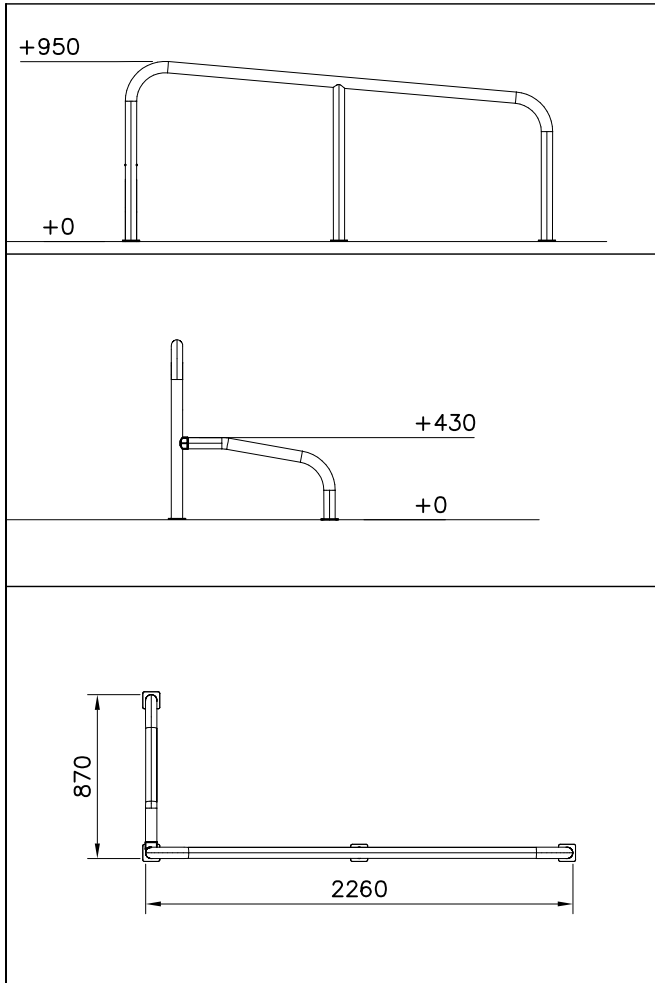
----- Falling Space 13 m<sup>2</sup>  
 Max Falling Height 660 mm



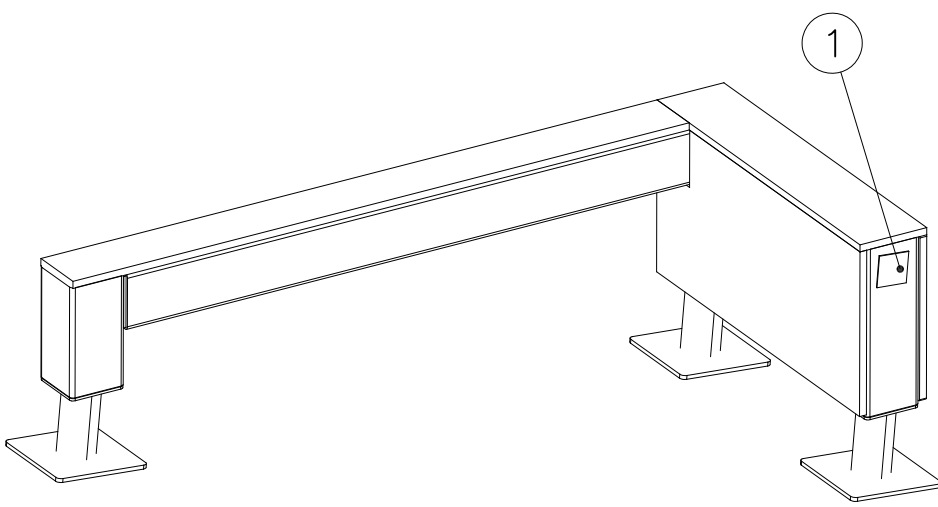

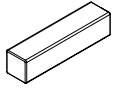
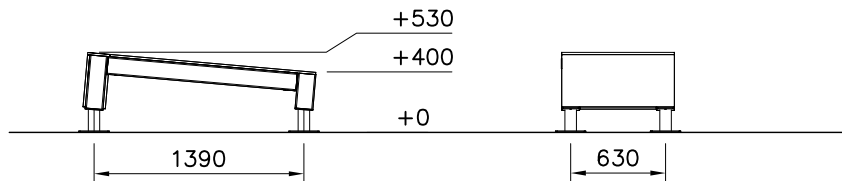
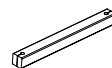
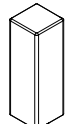
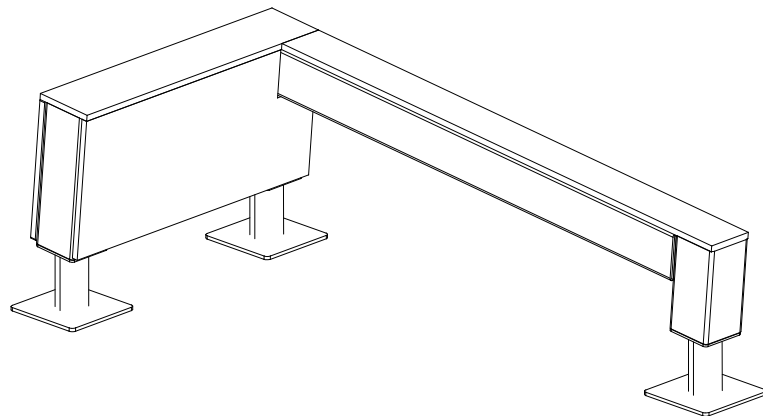
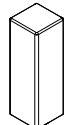
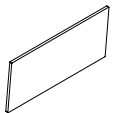
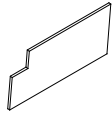
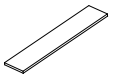

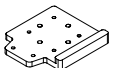
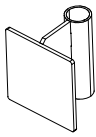




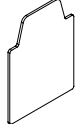


①	702341	PCS	②	900965	PCS
		1			1
	90x50			M10	
③	903533	PCS	④	904133	PCS
		4			1
	SRL12			M10x80	
⑤	908069	PCS	⑥	909111	PCS
		1			1
	Ø60x87.6			M12x100	
⑦	909248	PCS	⑧	909638	PCS
		1			4
	M12			Ø20/10.5	
⑨	910255	PCS	⑩	910262	PCS
		1			1
	Ø60x950x2290			Ø60x435x795	
⑪	980154	PCS			PCS
		1			
	Ø24/13				

OPTION LEFT-HANDED





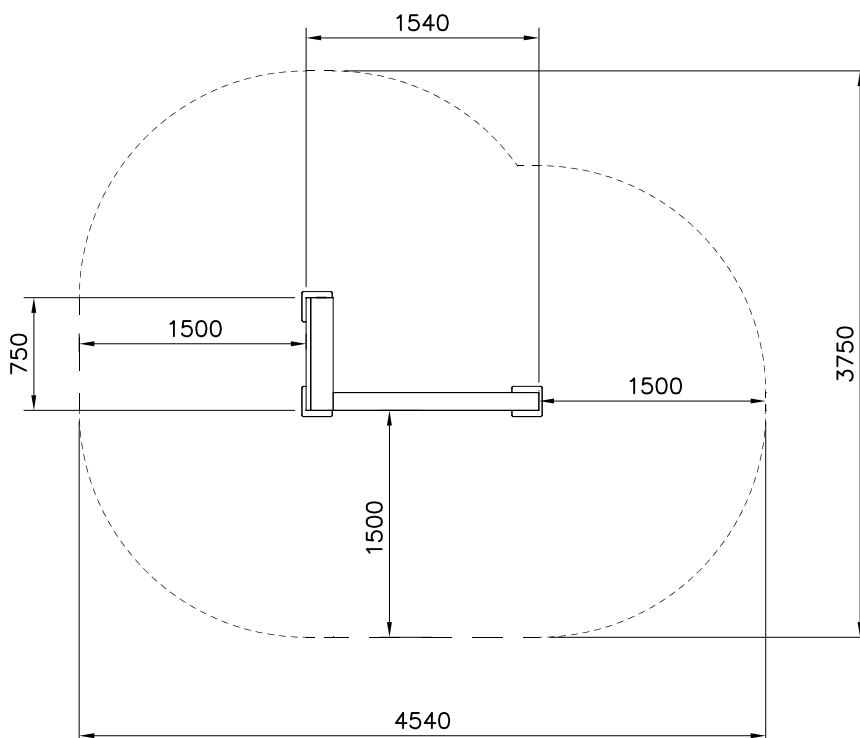
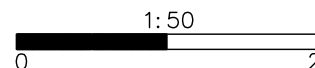
	<p>① 702286 PCS 1 65x65</p> 	<p>② 707210 PCS 2 118x118x503</p> 
	<p>③ 707212 PCS 1 118x118x1254</p> 	<p>④ 708347 PCS 1 118x118x231</p> 
<p>INSTALLATION OF A SECOND HAND</p> 	<p>⑤ 708443 PCS 2 118x118x352</p> 	<p>⑥ 708727 PCS 1 15x346x745</p> 
	<p>⑦ 708730 PCS 1 15x346x745</p> 	<p>⑧ 708733 PCS 1 15x148x745</p> 
	<p>⑨ 708734 PCS 1 15x118x1365</p> 	<p>⑩ 708857 JIG PCS 1 20x133x149</p> 
	<p>⑪ 910266 PCS 2 90x108x118</p> 	<p>⑫ 900240 PCS 16 Ø8x70</p> 
	<p>⑬ 903093 PCS 4 Ø8x90</p> 	<p>⑭ 905103 PCS 2 PT-28/32-H</p> 
	<p>⑮ 905112 PCS 4 Ø22</p> 	<p>⑯ 908698 PCS 4 3x114x108</p> 

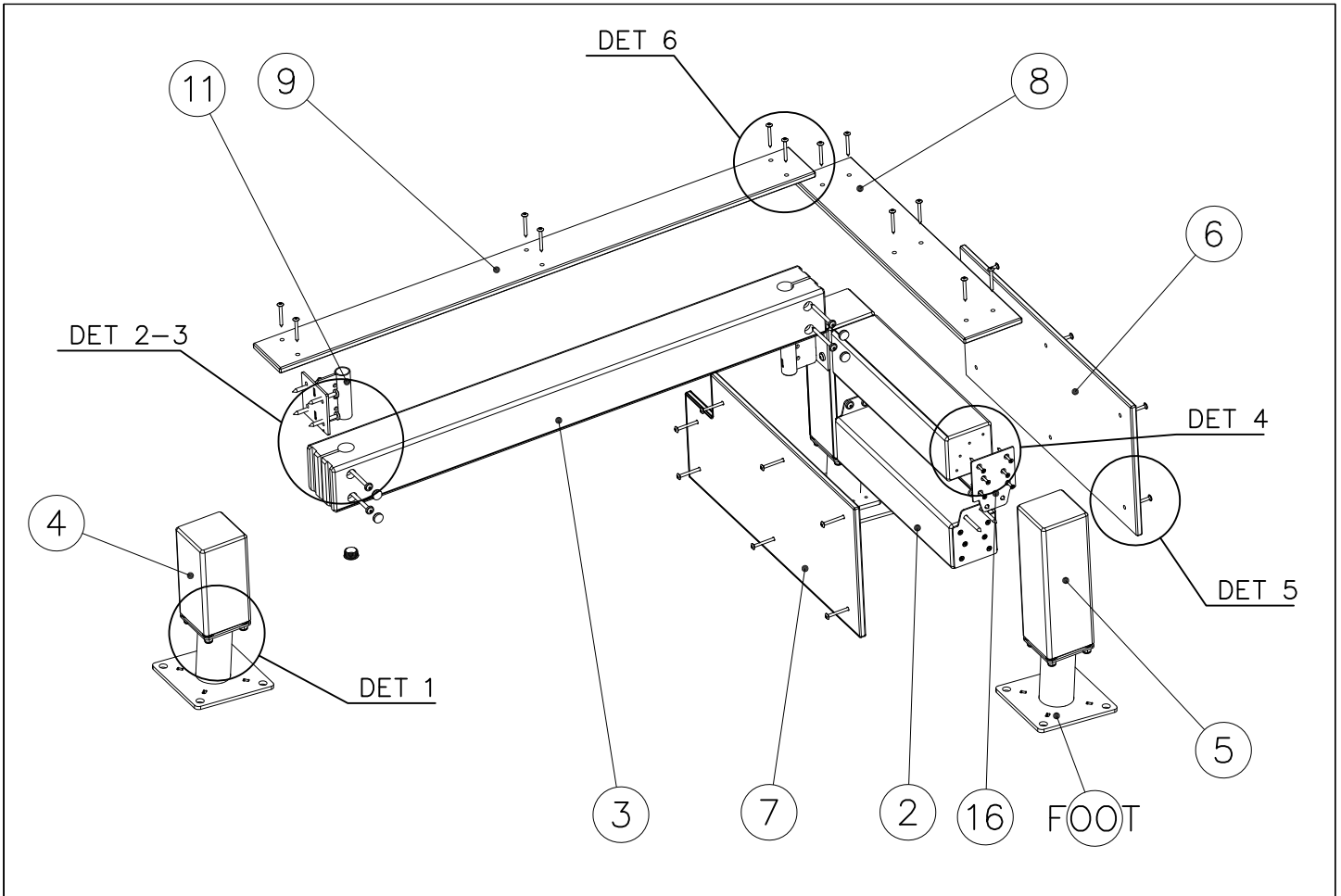
17	980100	PCS	18	980114	PCS	19	980123	PCS
		28			4			25
Ø5x60			Ø4x20			Ø7x60		

### FOOT OPTIONS

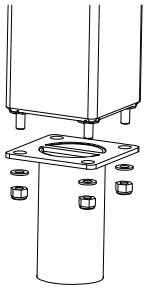
709261+		709262+	
910267	PCS	910567	PCS
SURFACE	3	CONCRETE	3
152x200x200		117x117x715	

----- Falling Space 13.8 m<sup>2</sup>  
Max Falling Height 530 mm

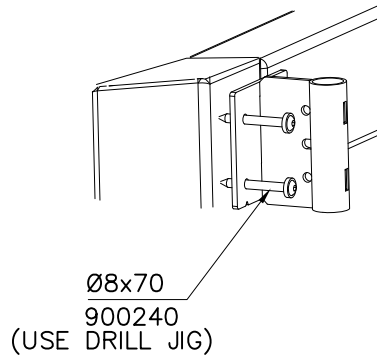




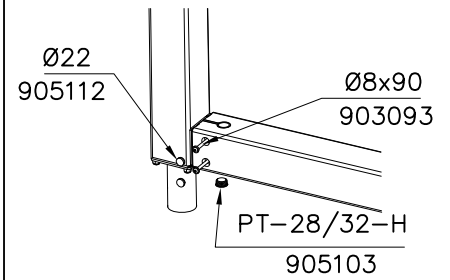
DET 1



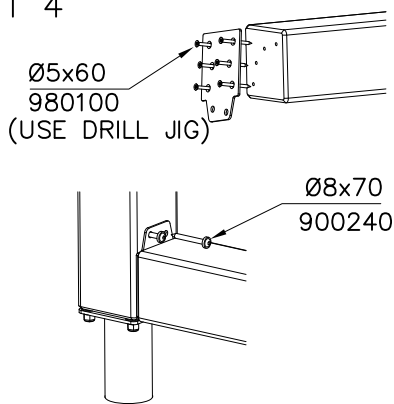
DET 2



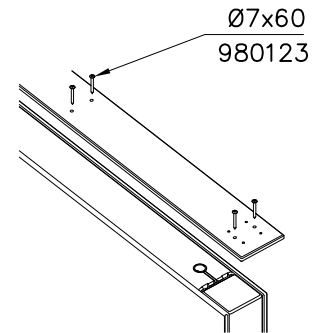
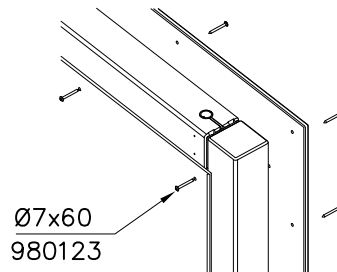
DET 3



DET 4

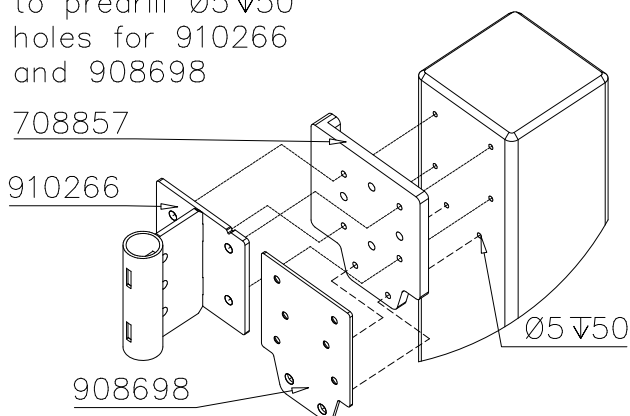


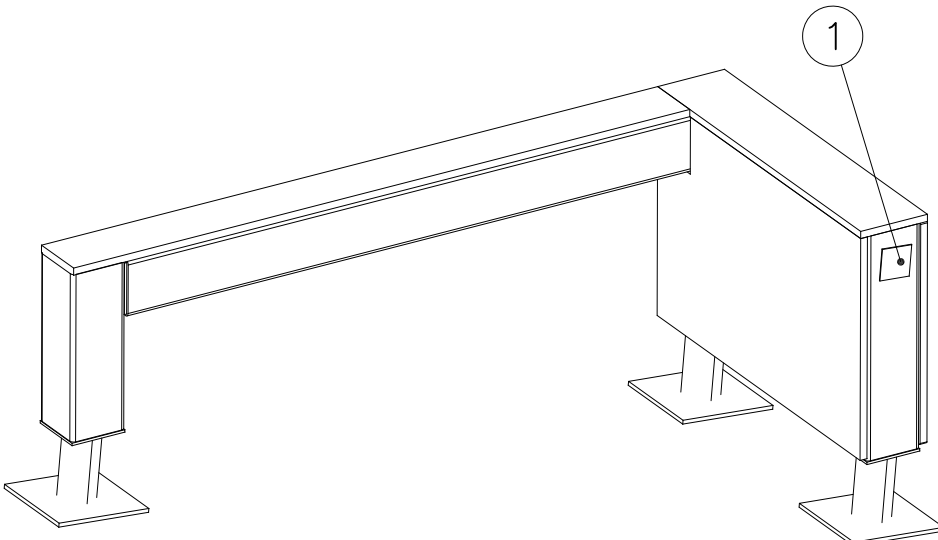

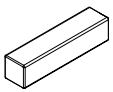
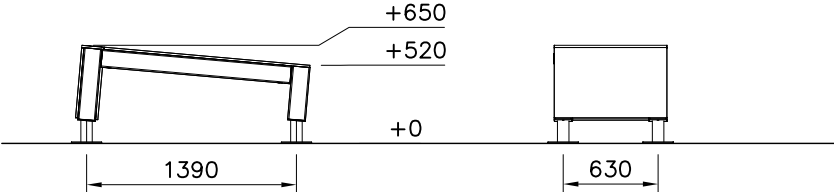

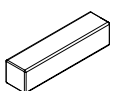
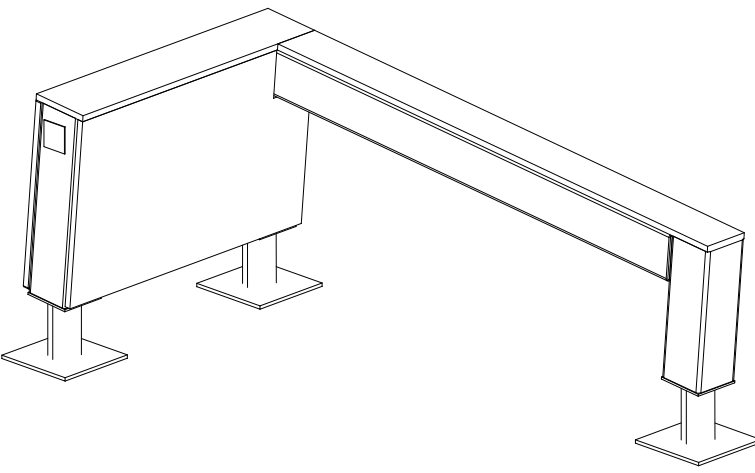
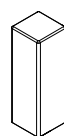
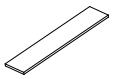

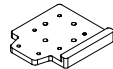
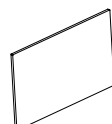




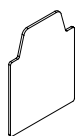
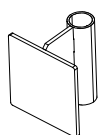
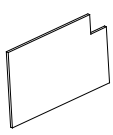
DET 5






JIG DET A (USE DET 2-4)

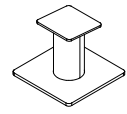

NOTE:  
Use drill jig 708857  
to predrill Ø5 $\nabla$ 50  
holes for 910266  
and 908698



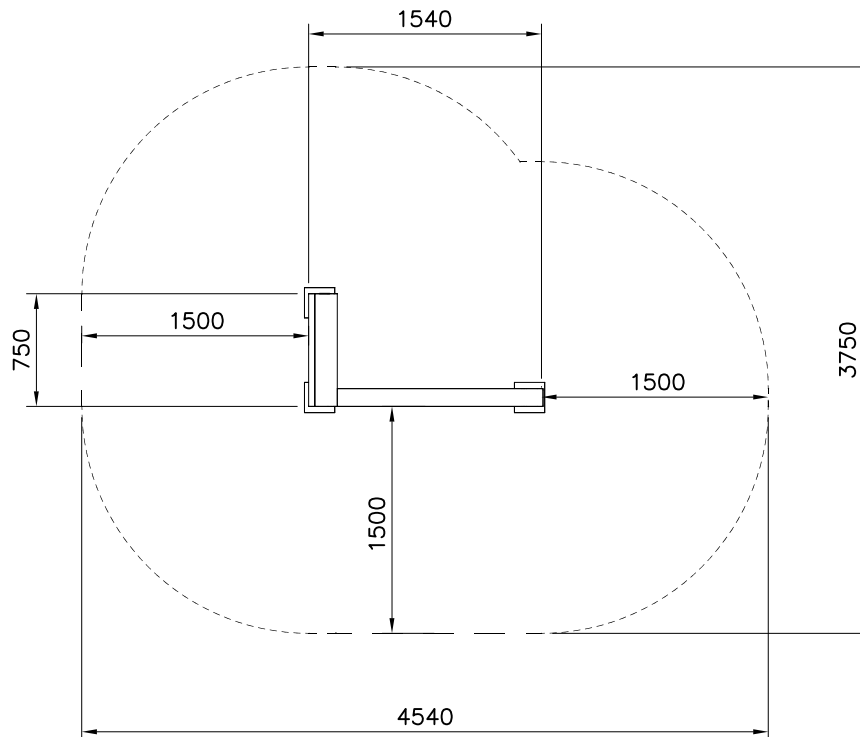
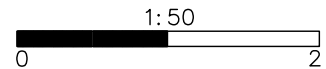
	<p>① 702286 PCS</p>  <p>65x65</p>	<p>② 707210 PCS</p>  <p>118x118x503</p>
	<p>③ 707212 PCS</p>  <p>118x118x1254</p>	<p>④ 707889 PCS</p>  <p>118x118x472</p>
<p>INSTALLATION OF A SECOND HAND</p> 	<p>⑤ 708443 PCS</p>  <p>118x118x352</p>	<p>⑥ 708733 PCS</p>  <p>15x148x745</p>
	<p>⑦ 708734 PCS</p>  <p>15x118x1365</p>	<p>⑧ 708857 JIG</p>  <p>20x133x149</p>
	<p>⑨ 708731 PCS</p>  <p>15x466x745</p>	<p>⑩ 900240 PCS</p>  <p>Ø8x70</p>
	<p>⑪ 903093 PCS</p>  <p>Ø8x90</p>	<p>⑫ 905103 PCS</p>  <p>PT-28/32-H</p>
	<p>⑬ 905112 PCS</p>  <p>Ø22</p>	<p>⑭ 908698 PCS</p>  <p>3x114x108</p>
	<p>⑮ 910266 PCS</p>  <p>90x108x118</p>	<p>⑯ 708732 PCS</p>  <p>15x466x745</p>

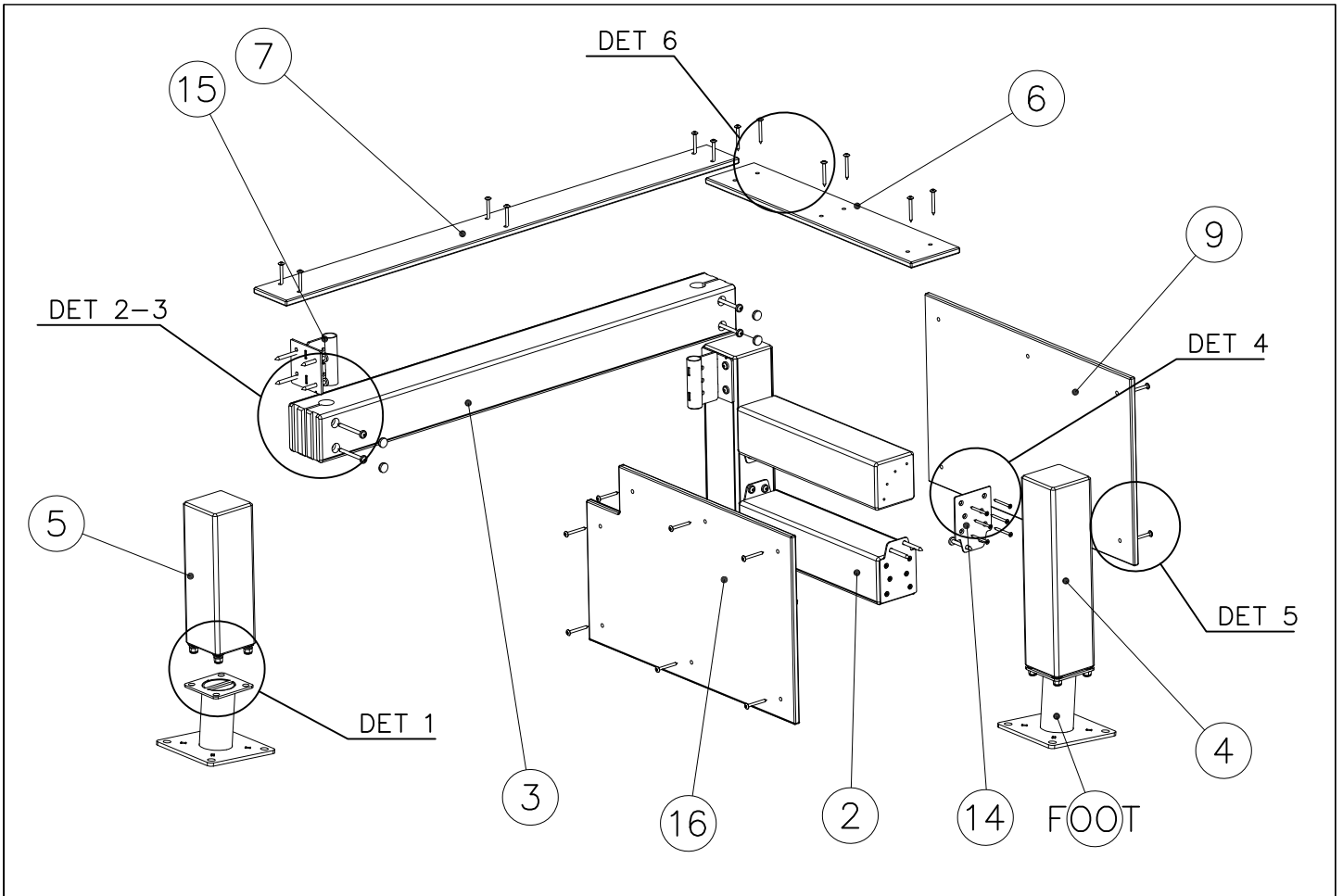
⑰ 980100	PCS	⑱ 980114	PCS	⑲ 980123	PCS
	28		4		25
Ø5x60		Ø4x20		Ø7x60	

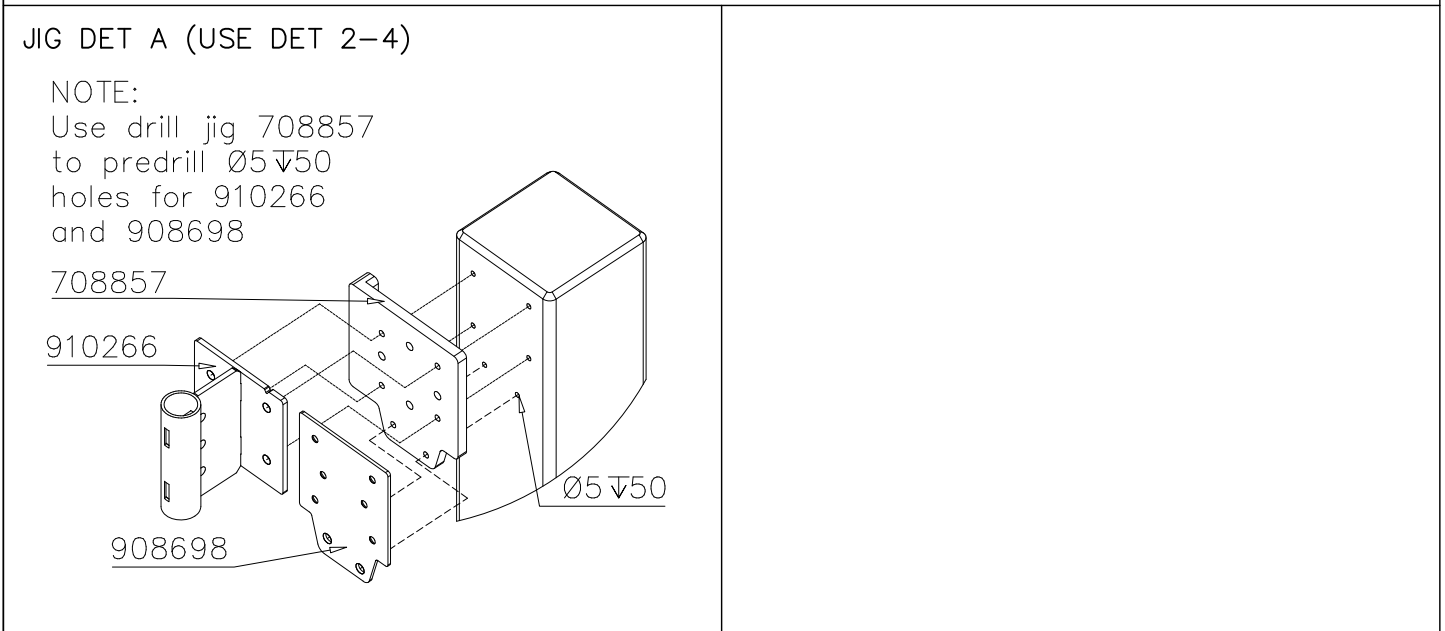
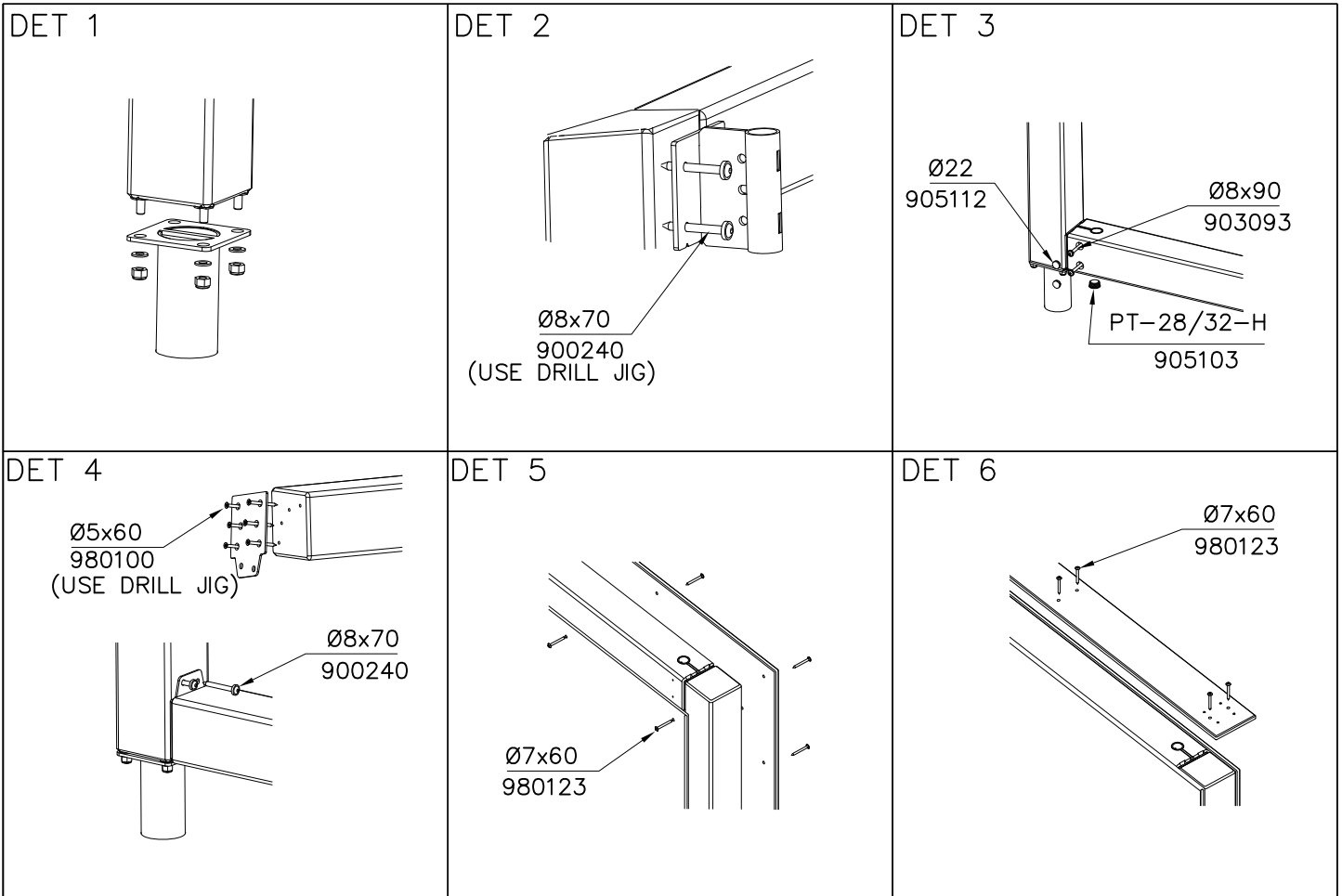
### FOOT OPTIONS

709261+		709262+	
○ 910267	PCS	○ 910567	PCS
SURFACE	3	CONCRETE	3
			
152x200x200		117x117x715	

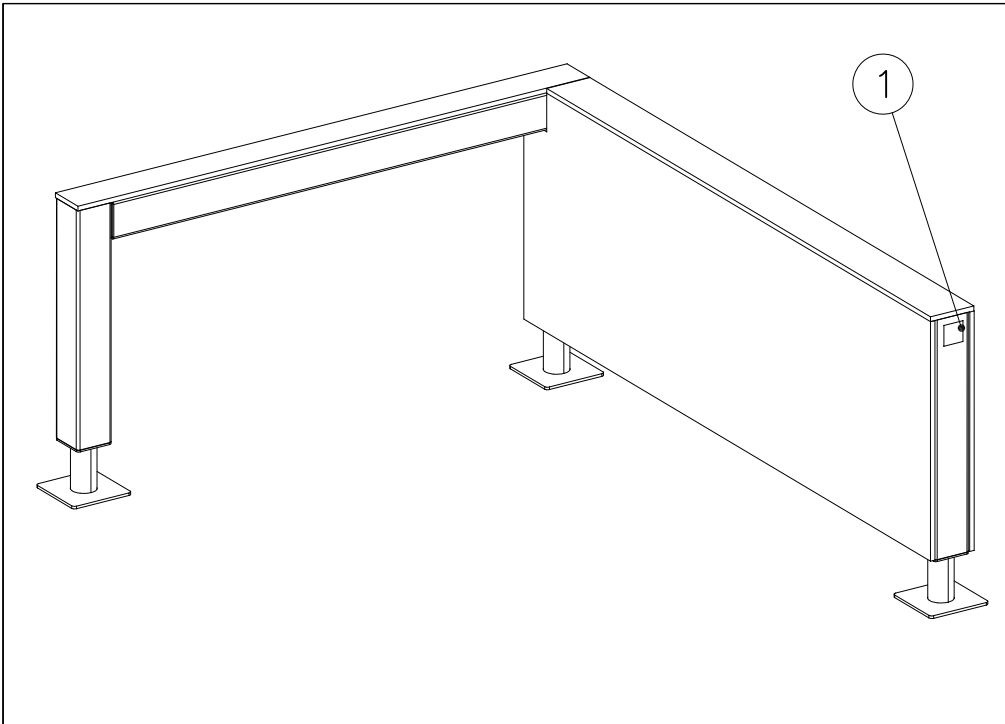
----- Falling Space 13.8 m<sup>2</sup>  
Max Falling Height 650 mm



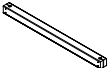

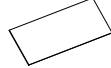
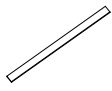


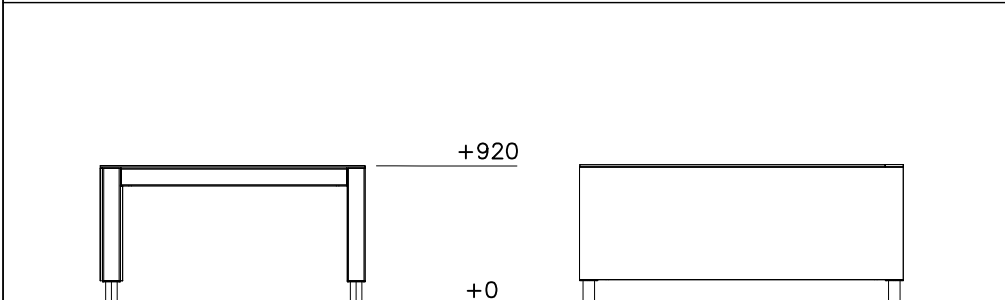


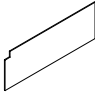




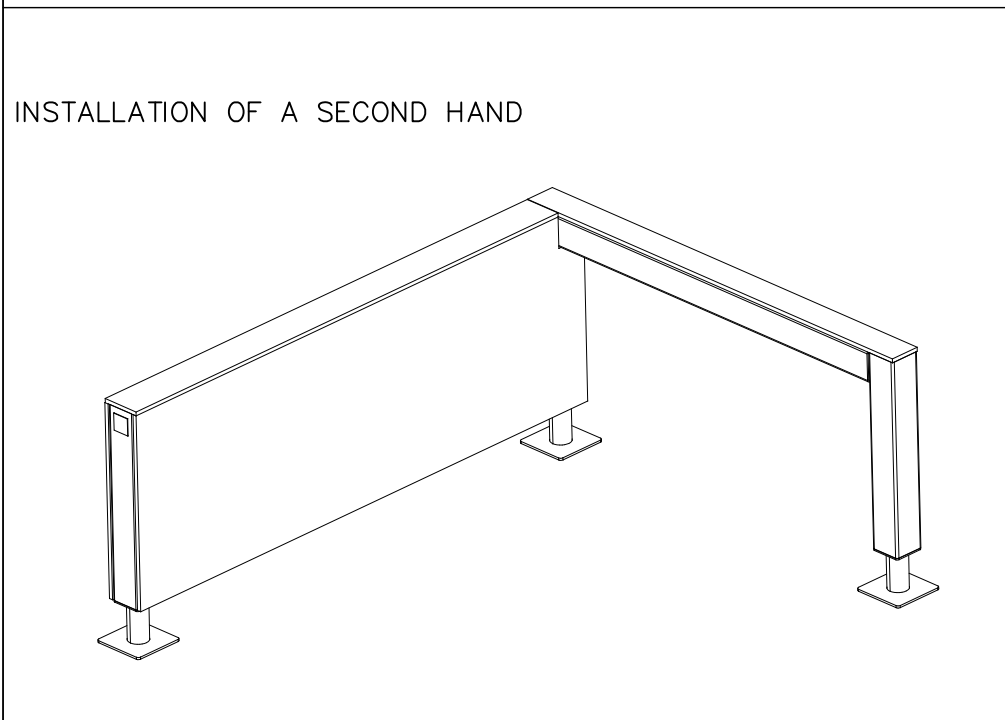
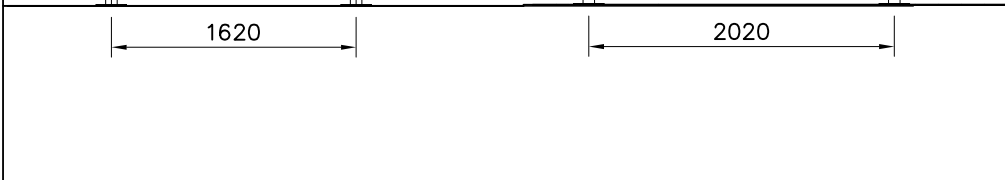






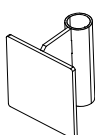



① 702286	PCS	② 707213	PCS
	1		1
65x65		118x118x1490	
③ 707517	PCS	④ 708137	PCS
	2		3
118x118x1892		118x118x745	
⑤ 708715	PCS	⑥ 708840	PCS
	1		1
15x745x2140		15x148x2018	

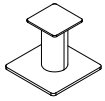



⑦ 708845	PCS	⑧ 708846	PCS
	1		1
15x745x2138		15x118x1751	
⑨ 708857	PCS	⑩ 980123	PCS
JIG	1		37
20x133x149		Ø7x60	

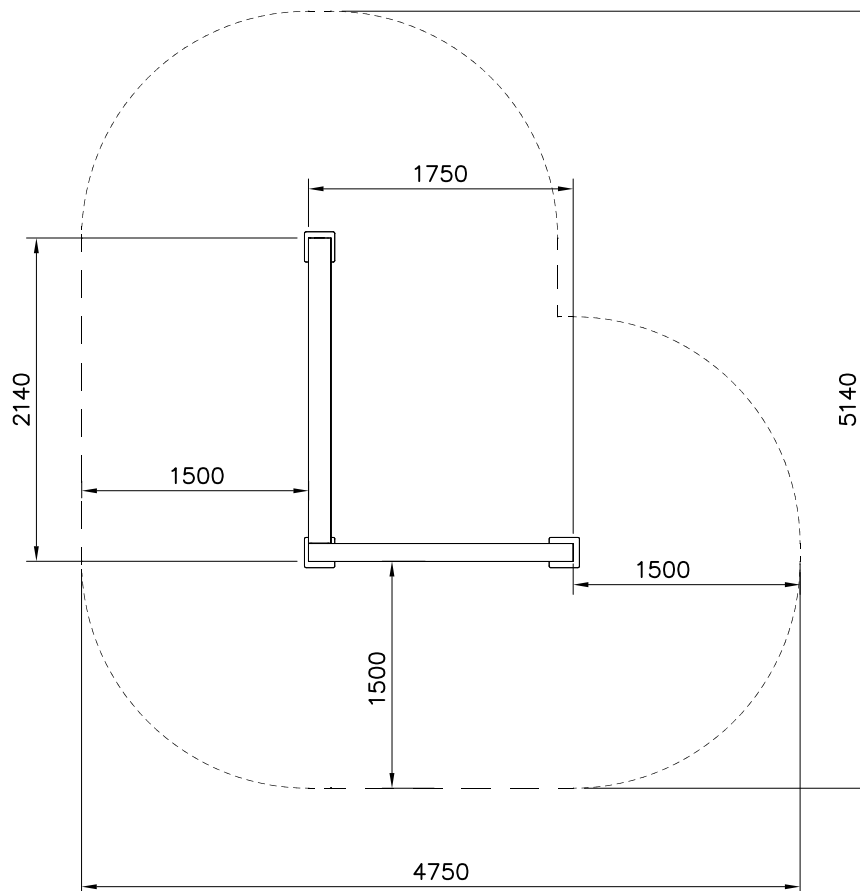
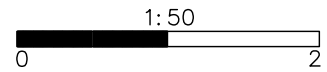


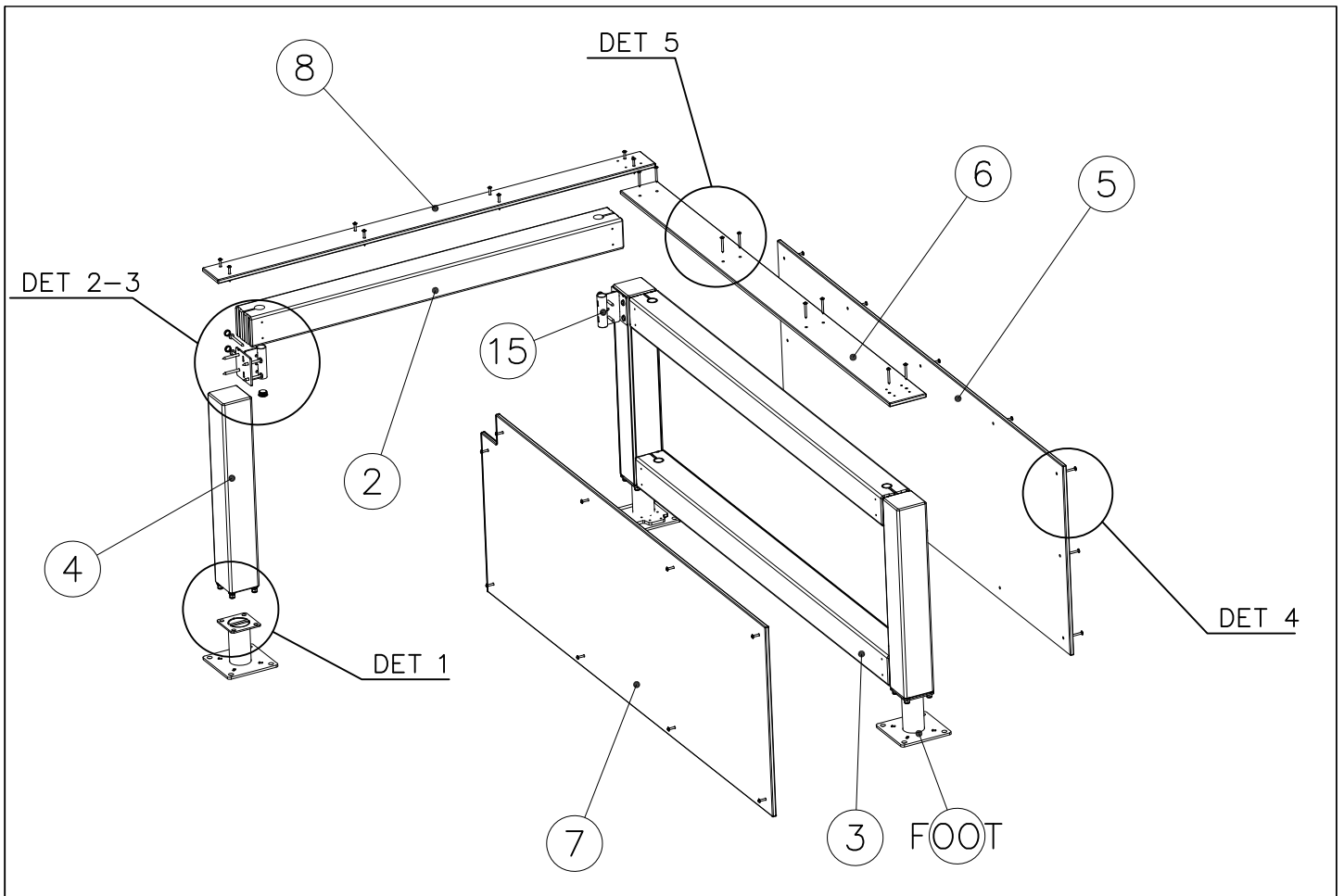
⑪ 900240	PCS	⑫ 903093	PCS
	24		12
Ø8x70		Ø8x90	
⑬ 905103	PCS	⑭ 905112	PCS
	6		12
PT-28/32-H		Ø22	
⑮ 910266	PCS	⑯ 980114	PCS
	6		4
90x108x118		Ø4x20	

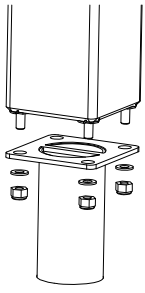
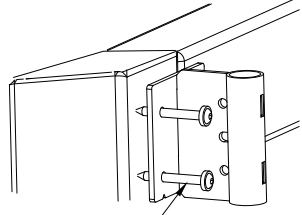
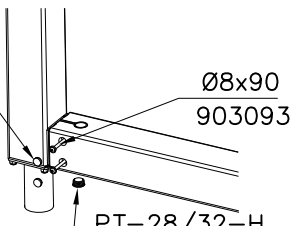
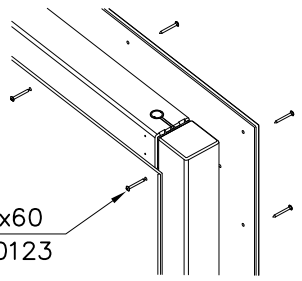
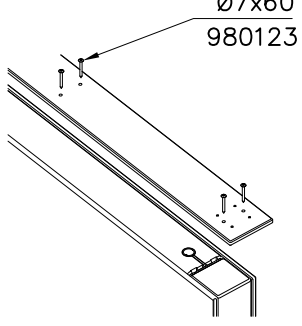

### FOOT OPTIONS

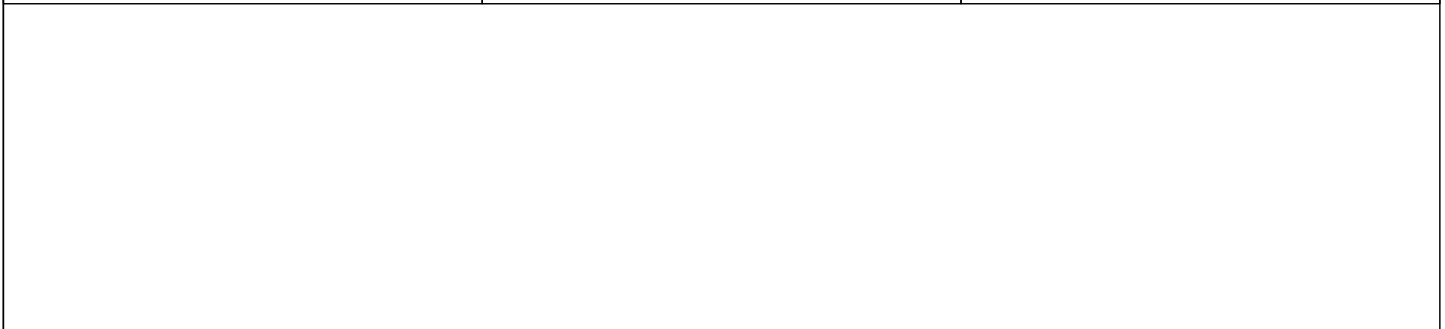
709261+		709262+	
○ 910330	PCS	○ 910567	PCS
SURFACE	3	CONCRETE	3
			
152x200x200		117x117x715	

----- Falling Space 18.8 m<sup>2</sup>  
Max Falling Height 920 mm



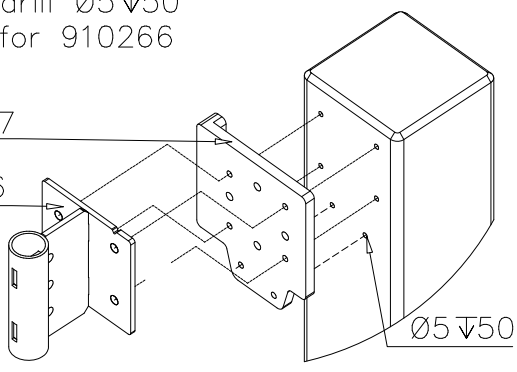


<p>DET 1</p> 	<p>DET 2</p>  <p>Ø8x70 900240 (USE DRILL JIG)</p>	<p>DET 3</p>  <p>Ø22 905112</p> <p>Ø8x90 903093</p> <p>PT-28/32-H 905103</p>
<p>DET 4</p>  <p>Ø7x60 980123</p>	<p>DET 5</p>  <p>Ø7x60 980123</p>	<p>DET 6</p> 



JIG DET A (USE DET 2-3)

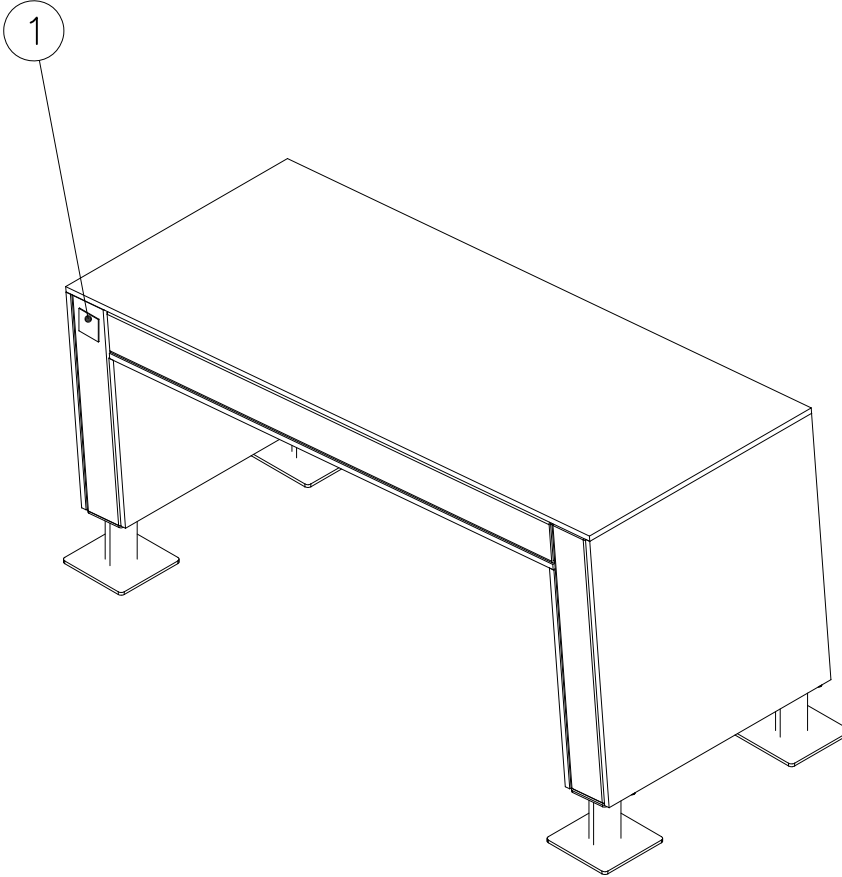
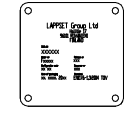
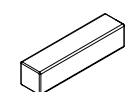




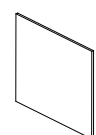
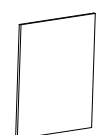
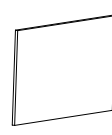
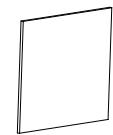
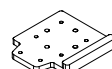

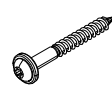

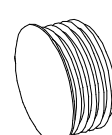

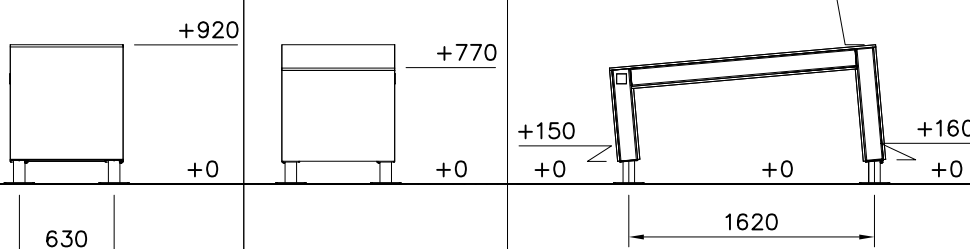
NOTE:  
Use drill jig 708857  
to predrill Ø5 $\nabla$ 50  
holes for 910266

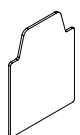
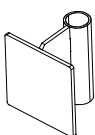



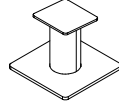



708857

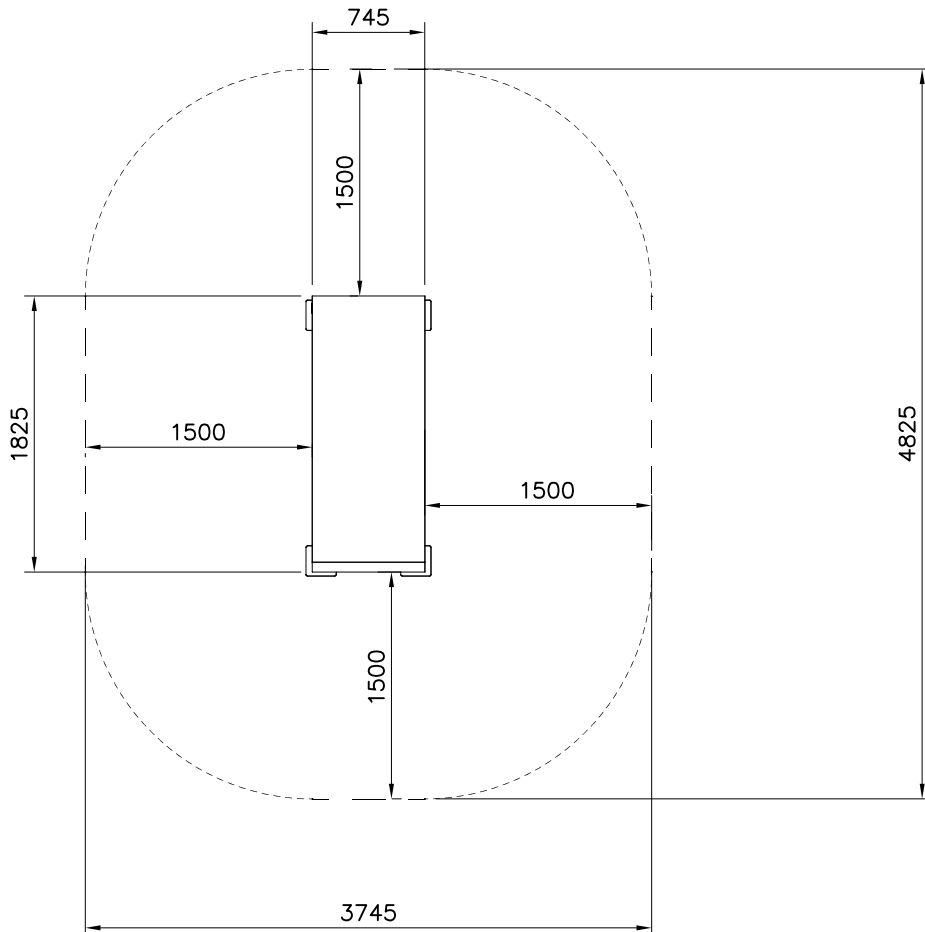
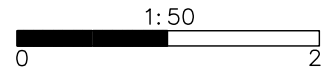
910266

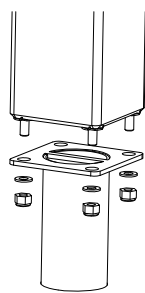
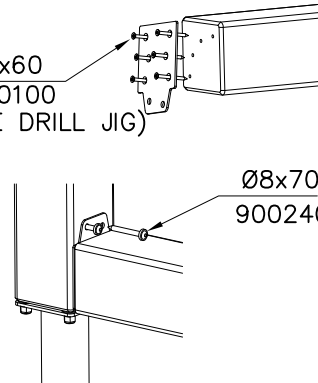
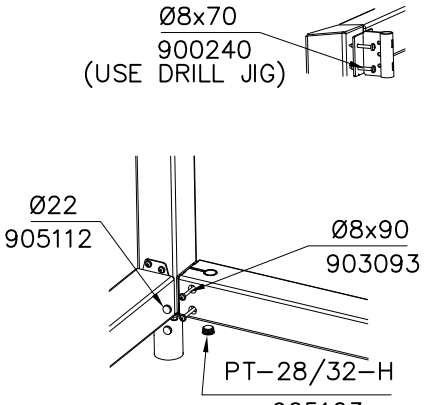
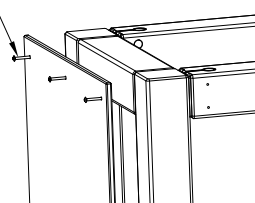
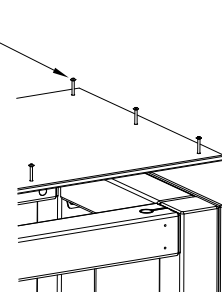
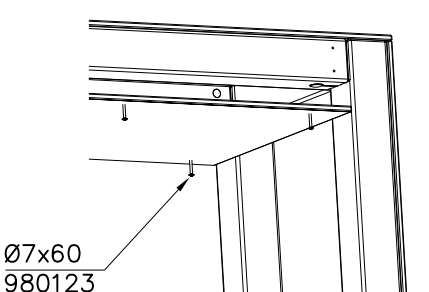
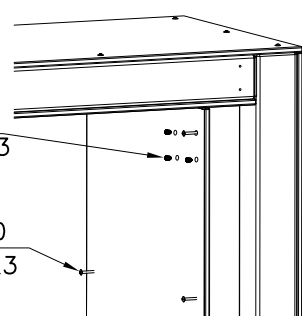
Ø5 $\nabla$ 50

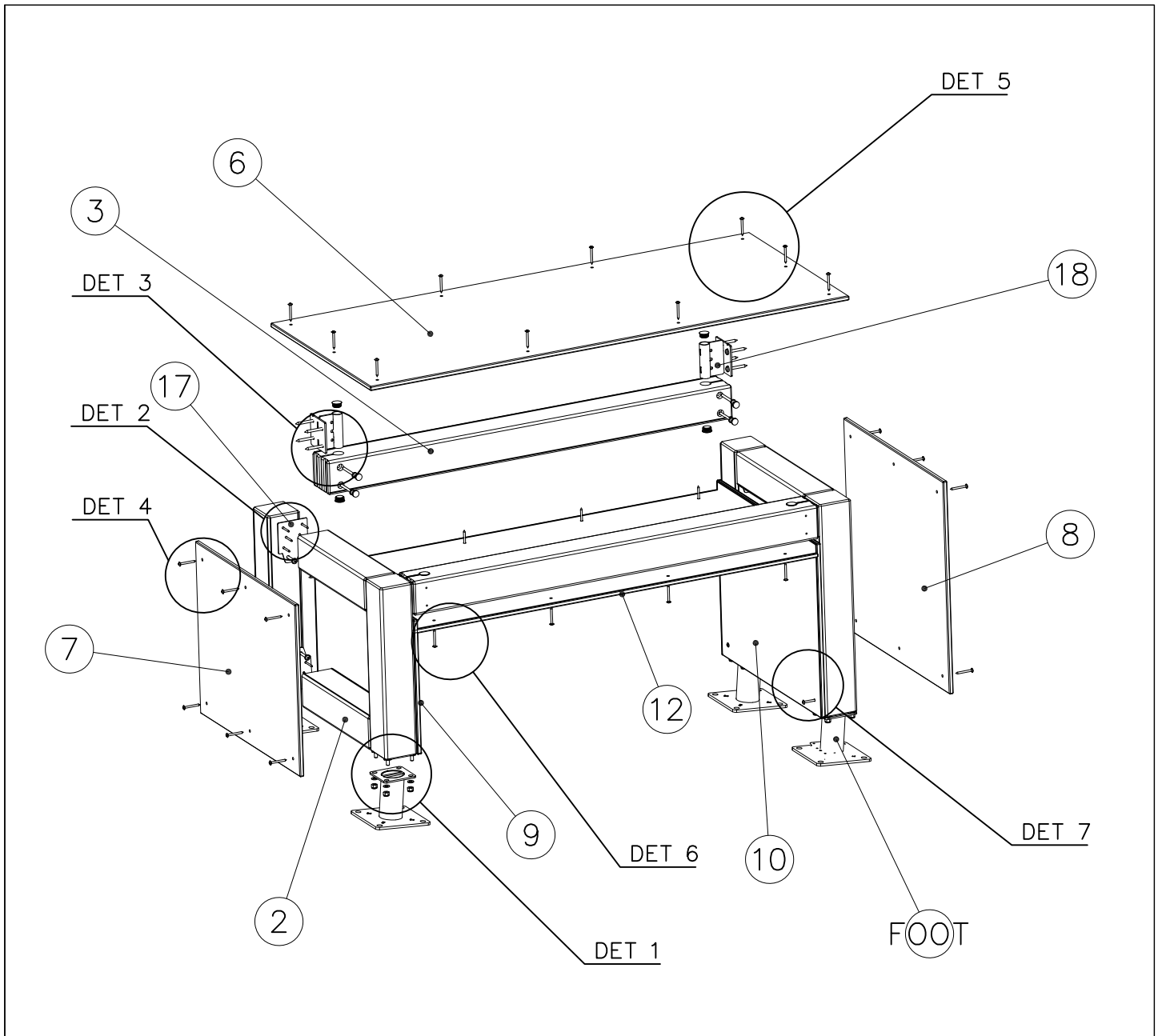
	 65x65	PCS 1	 118x118x503	PCS 4
	 118x118x1490	PCS 2	 118x118x603	PCS 2
	 118x118x745	PCS 2	 15x745x1766	PCS 1
	 15x603x745	PCS 1	 15x745x745	PCS 1
	 15x745x470	PCS 1	 15x745x612	PCS 1
	 20x133x149	PCS 1	 15x745x1495	PCS 1
	 Ø8x70	PCS 32	 Ø8x90	PCS 8
	 PT-28/32-H	PCS 8	 Ø22	PCS 8
				

⑰ 908698	PCS	⑱ 910266	PCS	⑲ 980114	PCS	⑳ 980100	PCS	㉑ 980123	PCS		PCS		PCS
	8		4		4		48		38				
3x114x108		90x108x118		Ø4x20		Ø5x60		Ø7x60					
	PCS		PCS		PCS					<b>FOOT OPTIONS</b> 709261+      709262+			
										○ 910267 SURFACE  152x200x200	PCS 4	○ 910567 CONCRETE  117x117x715	PCS 4

----- Falling Space 16.1 m<sup>2</sup>  
 Max Falling Height 920 mm



<p>DET 1</p> 	<p>DET 2</p>  <p>Ø5x60 980100 (USE DRILL JIG)</p> <p>Ø8x70 900240</p>	<p>DET 3</p>  <p>Ø8x70 900240 (USE DRILL JIG)</p> <p>Ø22 905112</p> <p>Ø8x90 903093</p> <p>PT-28/32-H 905103</p>
<p>DET 4</p>  <p>Ø7x60 980123</p>	<p>DET 5</p>  <p>Ø7x60 980123</p>	<p>DET 6</p>  <p>Ø7x60 980123</p>
<p>DET 7</p>  <p>SRL12 903533</p> <p>Ø7x60 980123</p>		



### JIG DET A (USE DET 2-3)

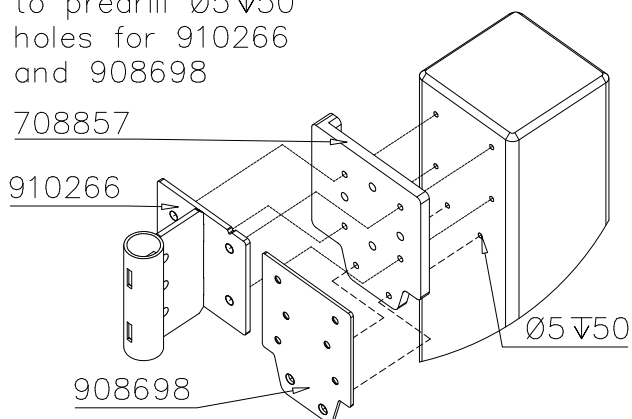
**NOTE:**

Use drill jig 708857 to predrill  $\text{Ø}5 \nabla 50$  holes for 910266 and 908698

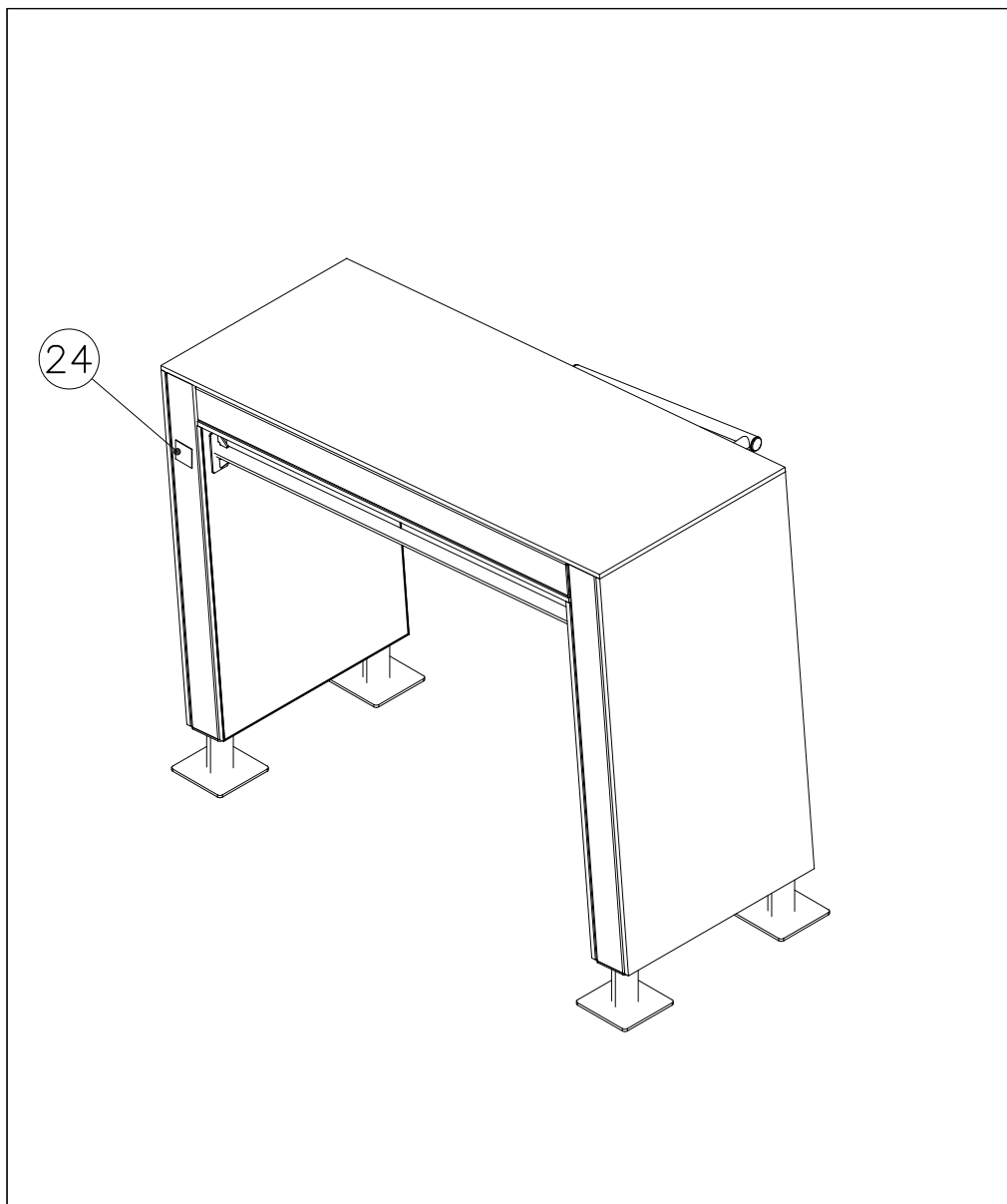
708857

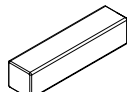
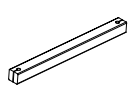


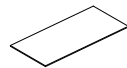
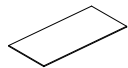
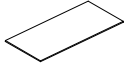
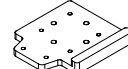

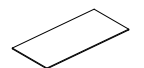
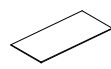





910266

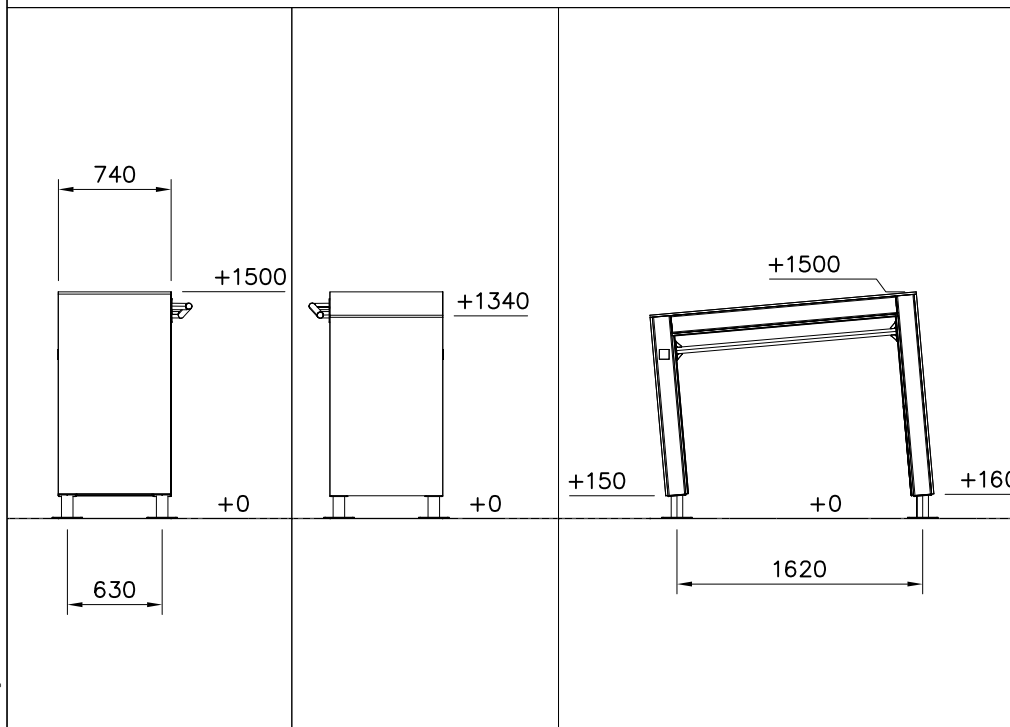
908698

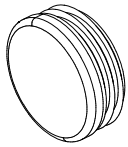
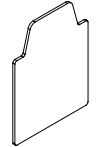
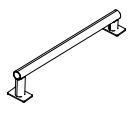
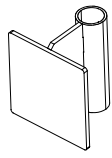

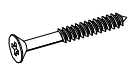
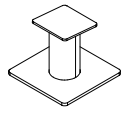
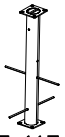







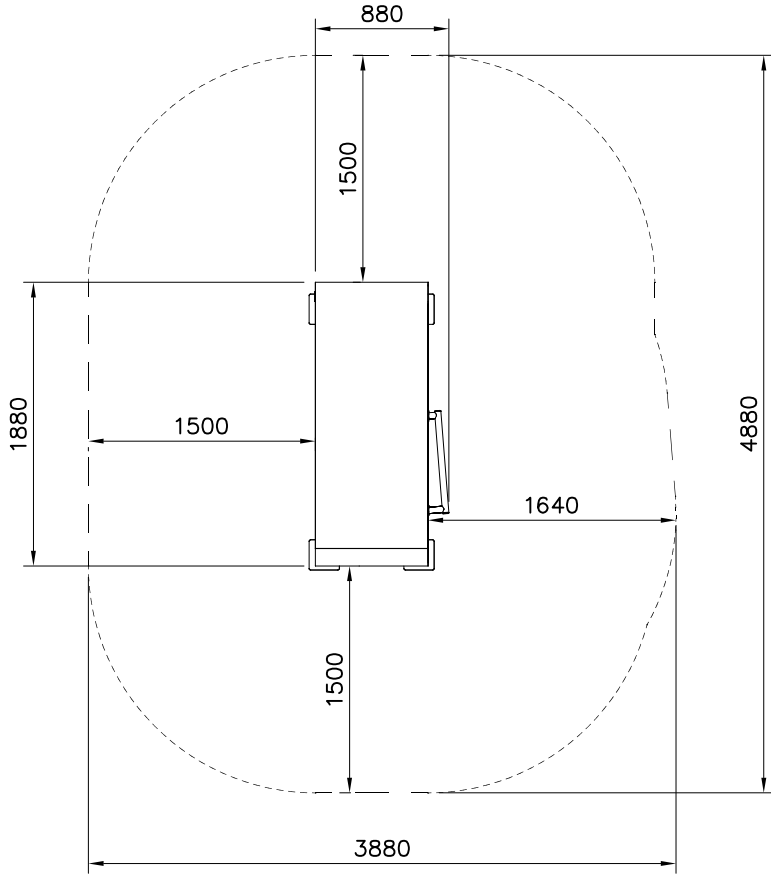
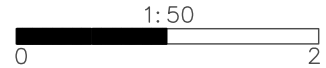


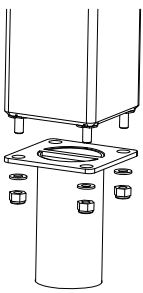
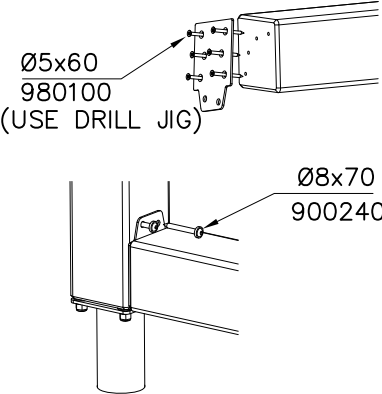
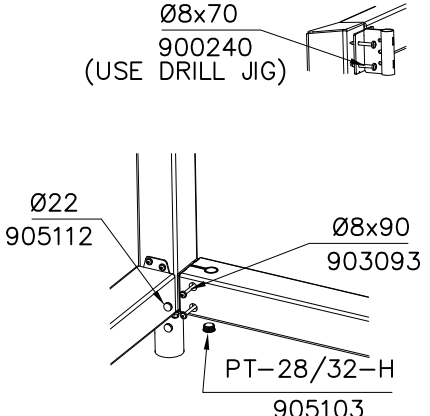
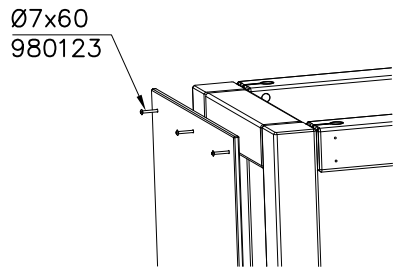
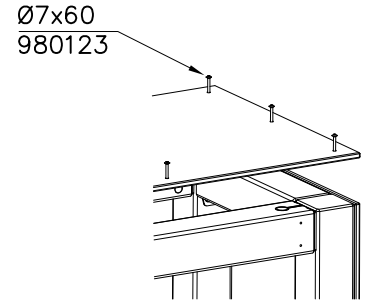
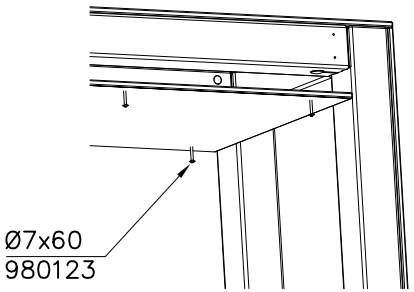
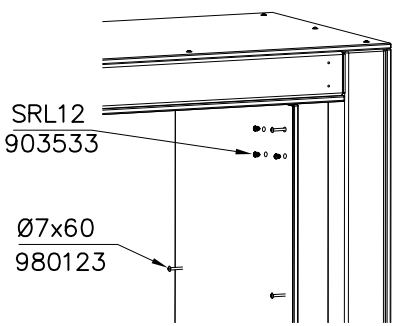
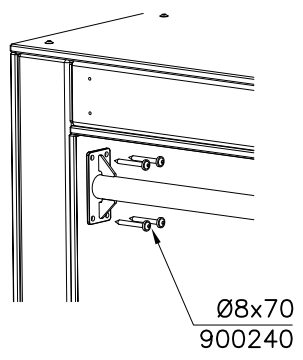
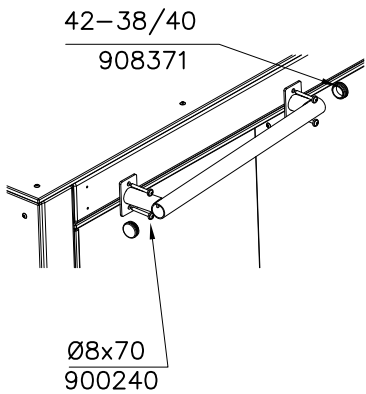
① 707210	PCS	② 707213	PCS
	4		2
118x118x503		118x118x1490	
③ 708042	PCS	④ 708125	PCS
	2		2
118x118x1185		118x118x1326	
⑤ 708721	PCS	⑥ 708723	PCS
	1		1
15x745x1766		15x745x1185	
⑦ 708724	PCS	⑧ 708857	PCS
	1	JIG 	1
15x745x1326		20x133x149	
⑨ 911103	PCS	⑩ 911305	PCS
COLOR 	1	COLOR 	1
15x745x1495		15x745x1192	
⑪ 911307	PCS	⑫ 900240	PCS
COLOR 	1		44
15x745x1050		Ø8x70	
⑬ 903093	PCS	⑭ 903533	PCS
	8		6
Ø8x90		SRL12	
⑮ 905103	PCS	⑯ 905112	PCS
	8		8
PT-28/32-H		Ø22	

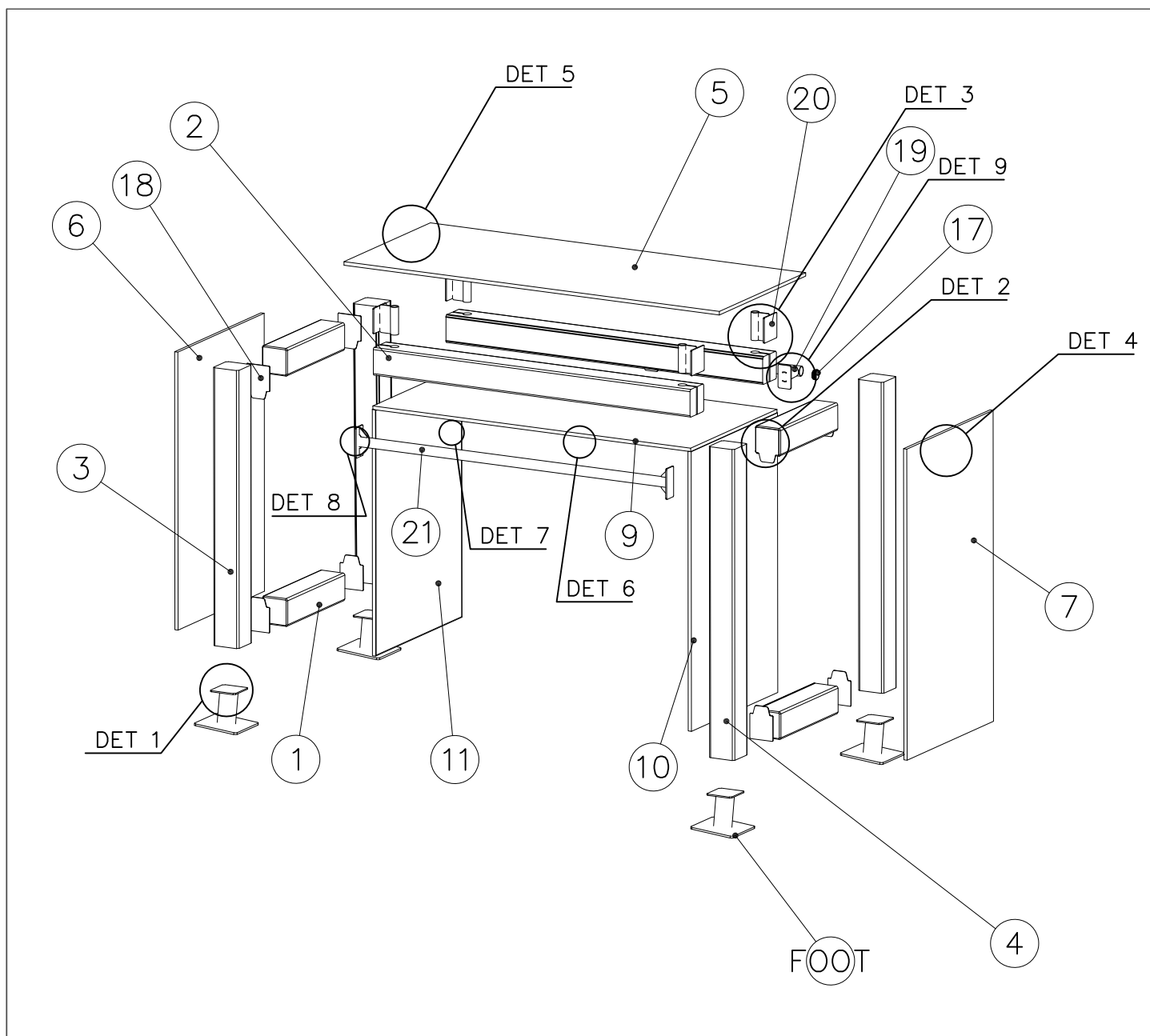


⑰ 908371  42-38/40 PCS 2	⑱ 908698  3x114x108 PCS 8	⑲ 910056  140x690 PCS 1	⑳ 910266  90x108x118 PCS 4	㉑ 910328  L 1466 PCS 1	㉒ 980100  Ø5x60 PCS 48	FOOT OPTIONS 709261+      709262+ ① 910267 SURFACE      ① 910567 CONCRETE  152x200x200  117x117x715 PCS 4      PCS 4	
㉓ 980123  Ø7x60 PCS 50	㉔ 702286  65x65 PCS 1	㉕ 980114  Ø4x20 PCS 4					

----- Falling Space 16.5 m<sup>2</sup>  
 Max Falling Height 1500 mm

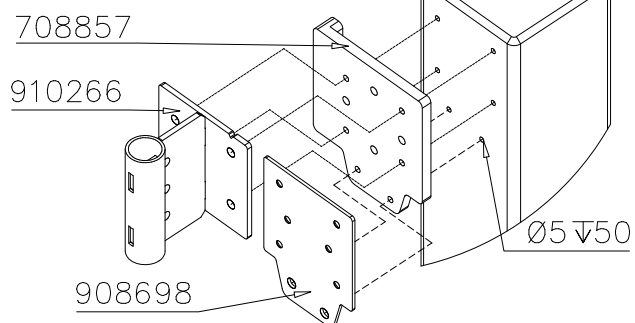


<p>DET 1</p> 	<p>DET 2</p> 	<p>DET 3</p> 
<p>DET 4</p> 	<p>DET 5</p> 	<p>DET 6</p> 
<p>DET 7</p> 	<p>DET 8</p> 	
<p>DET 9 DRILL PREHOLES BEFORE INSTALLING HANDLES</p> 		

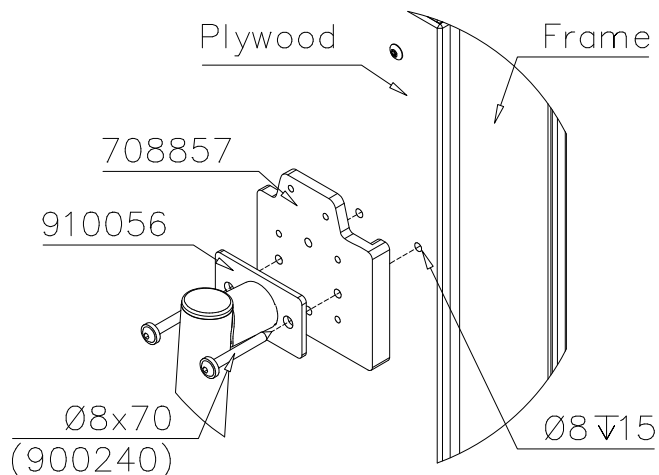


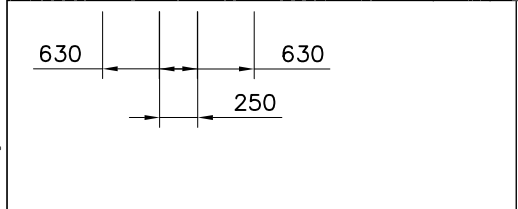
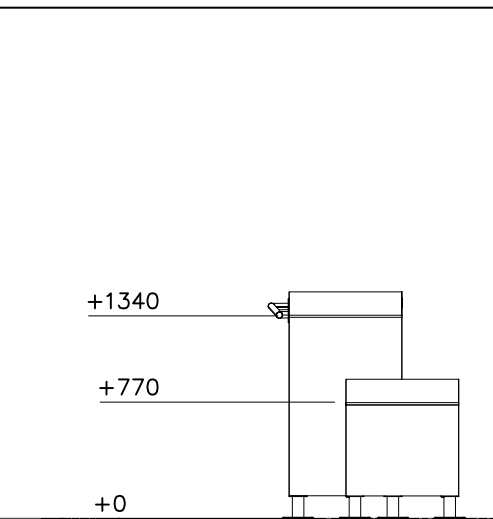
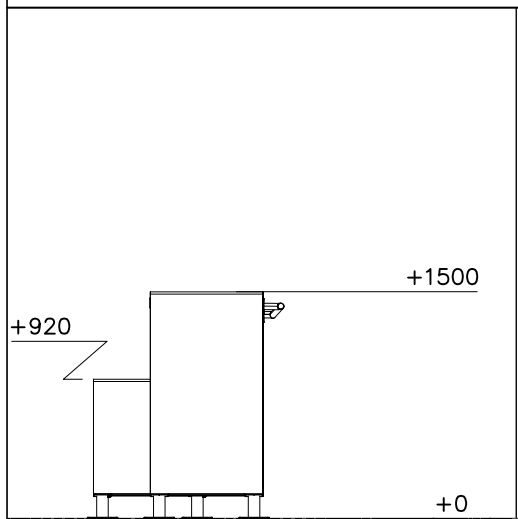
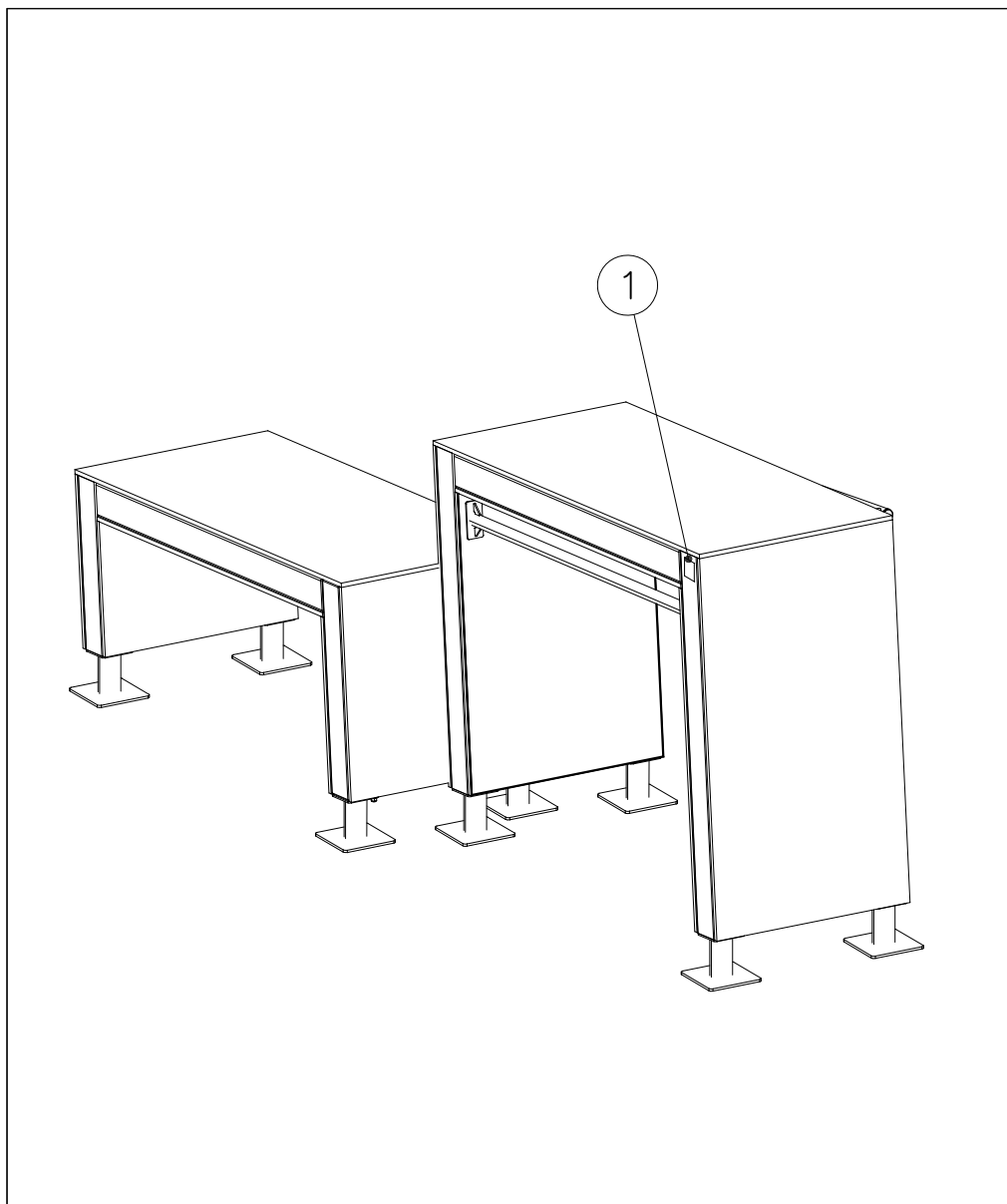
### JIG DET A (USE DET 2-3)


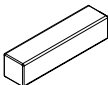








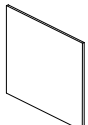

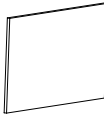
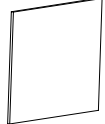
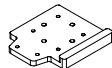

NOTE:  
Use drill jig 708857 to predrill  $\text{Ø}5 \nabla 50$  holes for 910266 and 908698

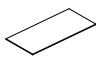
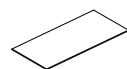
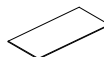


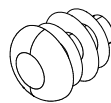

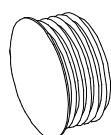
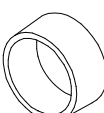
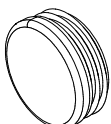

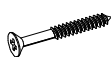

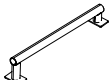
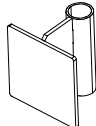
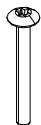
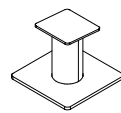



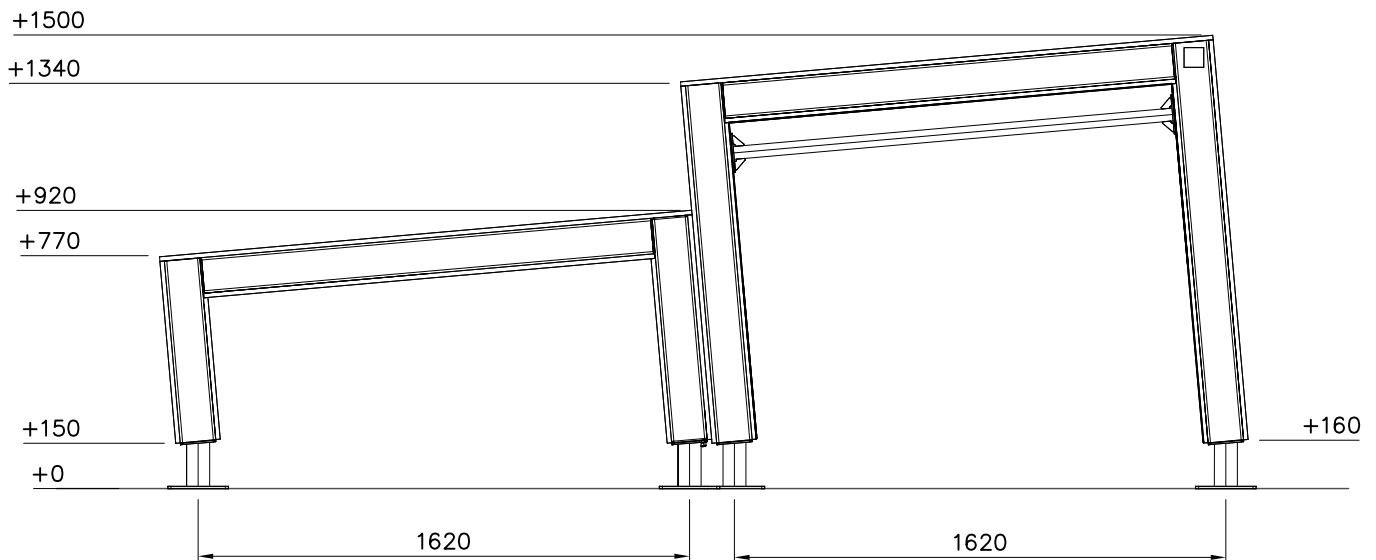
### JIG DET B (USE DET 9, 10)



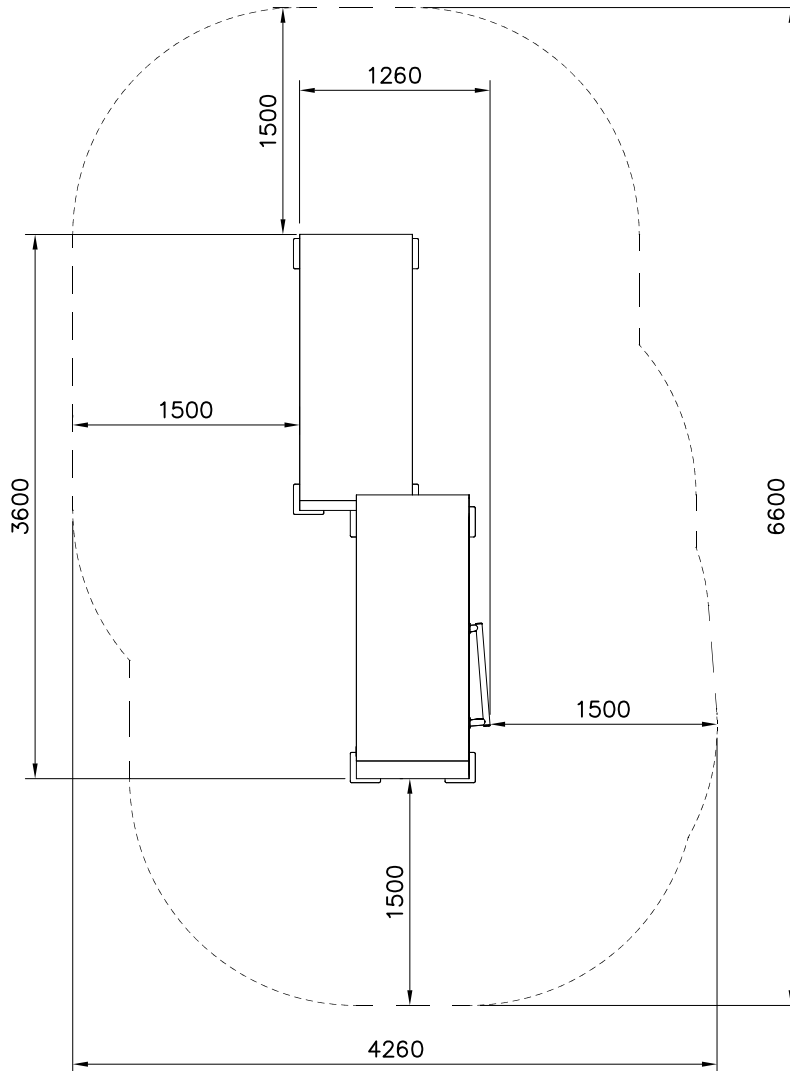
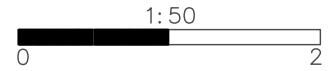


① 702286  65x65	PCS 1	② 707210  118x118x503	PCS 8
③ 707213  118x118x1490	PCS 4	④ 708042  118x118x1185	PCS 2
⑤ 708125  118x118x1326	PCS 2	⑥ 708127  118x118x603	PCS 2
⑦ 708137  118x118x745	PCS 2	⑧ 708721  15x745x1766	PCS 2
⑨ 708723  15x745x1185	PCS 1	⑩ 708724  15x745x1326	PCS 1
⑪ 708725  15x603x745	PCS 1	⑫ 708726  15x745x745	PCS 1
⑬ 708834  15x745x470	PCS 1	⑭ 708835  15x745x612	PCS 1
⑮ 708857 JIG  20x133x149	PCS 1	⑯ 709204  15x745x1495	PCS 1

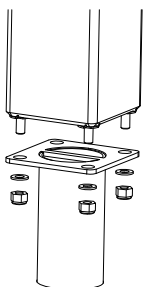
17 911303 COLOR  15x745x1495	PCS 1	18 911305 COLOR  15x745x1192	PCS 1	19 911307 COLOR  15x745x1050	PCS 1	20 900240  Ø8x70	PCS 76	21 903093  Ø8x90	PCS 20	22 903533  SRL12	PCS 6
23 980114  Ø4x20	PCS 4	24 905103  PT-28/32-H	PCS 16	25 905112  Ø22	PCS 16	26 908371  42-38/40	PCS 2	27 908698  3x114x108	PCS 16	28 980100  Ø5x60	PCS 96
29 910328  L 1466	PCS 1	30 910056  140x690	PCS 1	31 910266  90x108x118	PCS 8	32 980123  Ø7x60	PCS 88	FOOT OPTIONS 709261+      709262+			
709261+ ○ 910267 SURFACE  152x200x200		PCS 8	709262+ ○ 910567 CONCRETE  117x117x715		PCS 8						



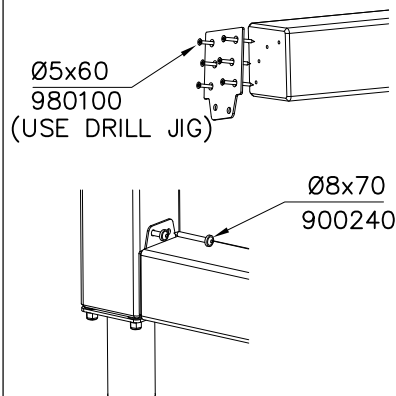
----- Falling Space 23.5 m<sup>2</sup>  
Max Falling Height 1500 mm



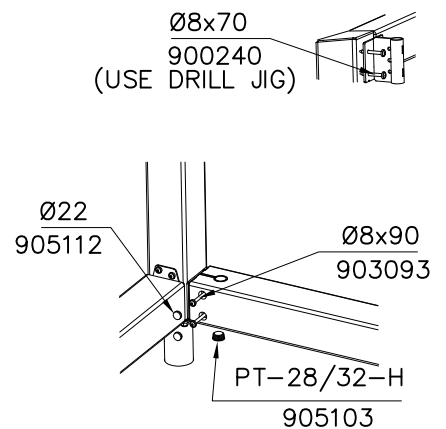
DET 1

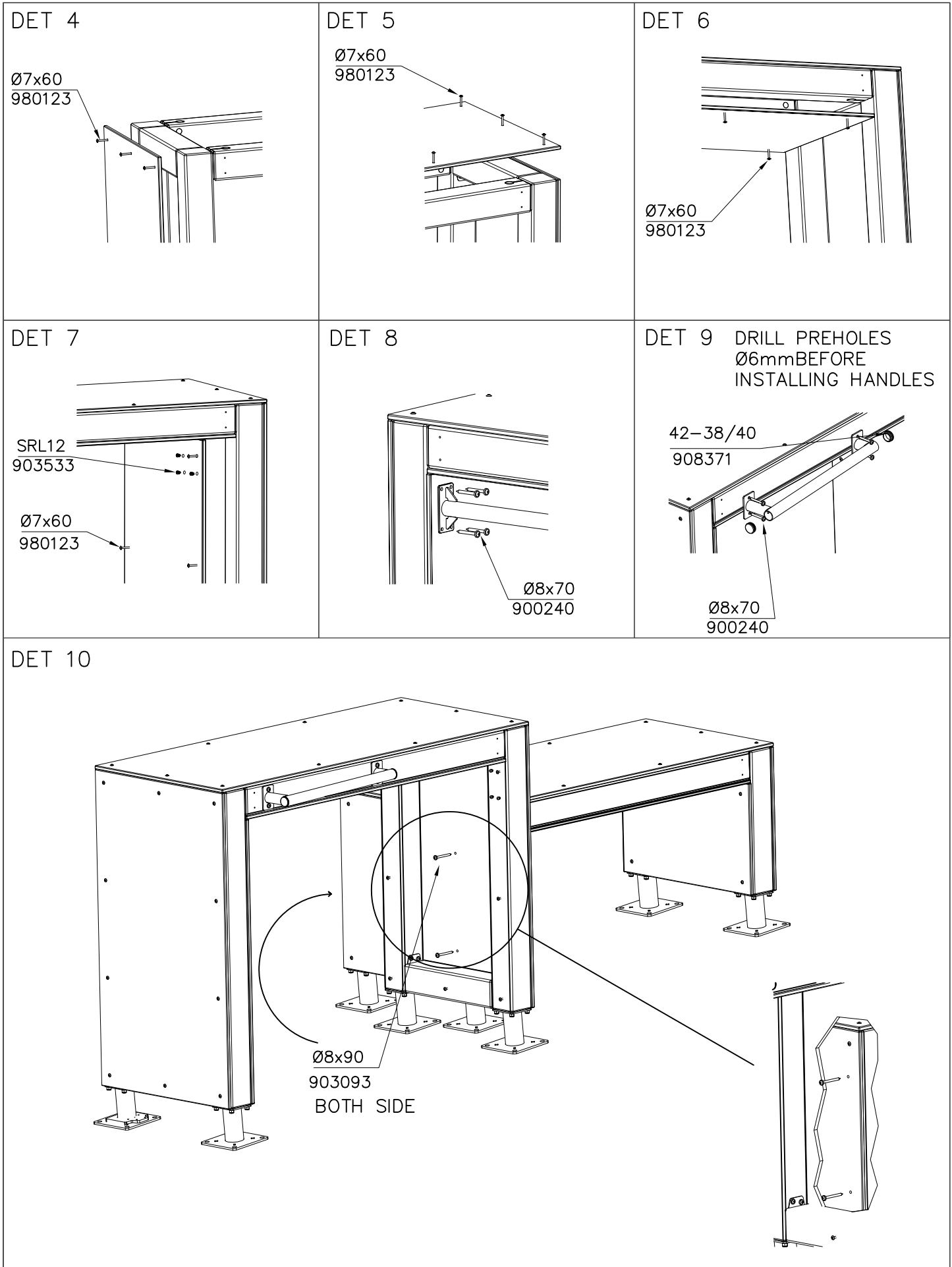


DET 2

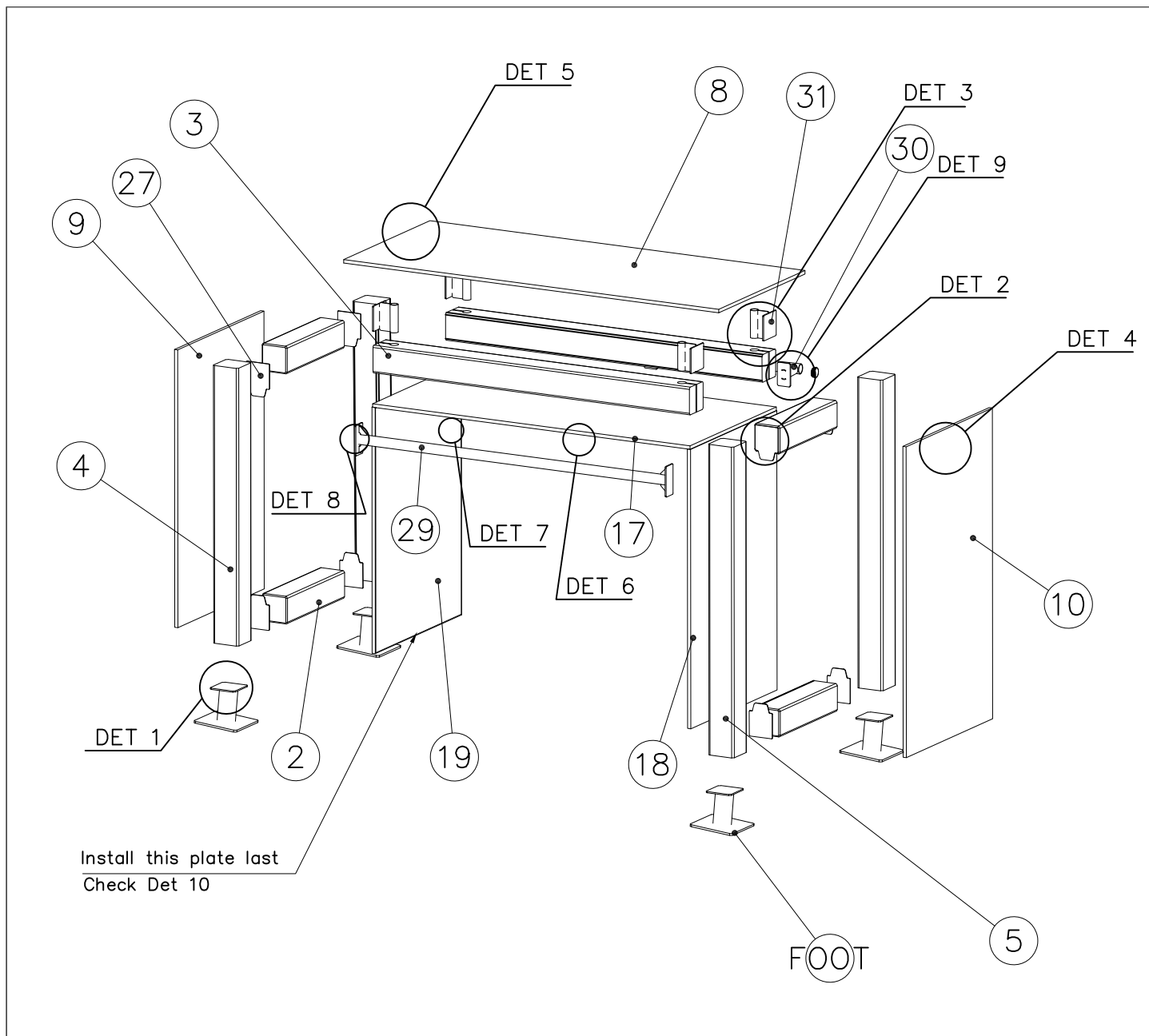


DET 3









### JIG DET A (USE DET 2-3)

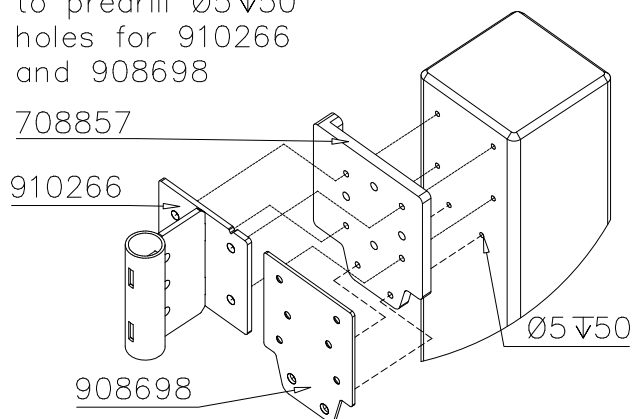
**NOTE:**

Use drill jig 708857 to predrill  $\text{Ø}5 \nabla 50$  holes for 910266 and 908698

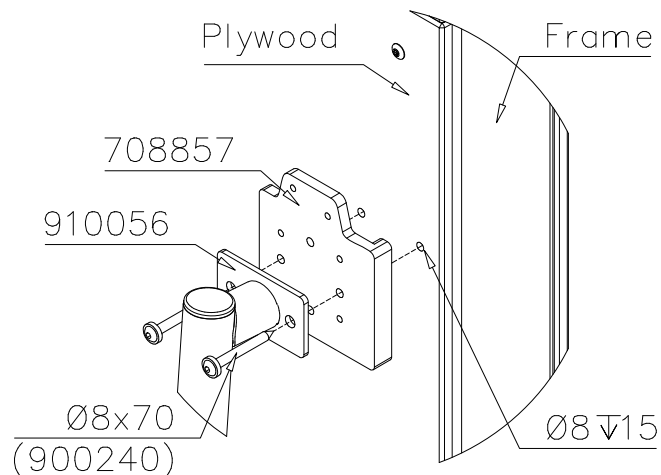
708857

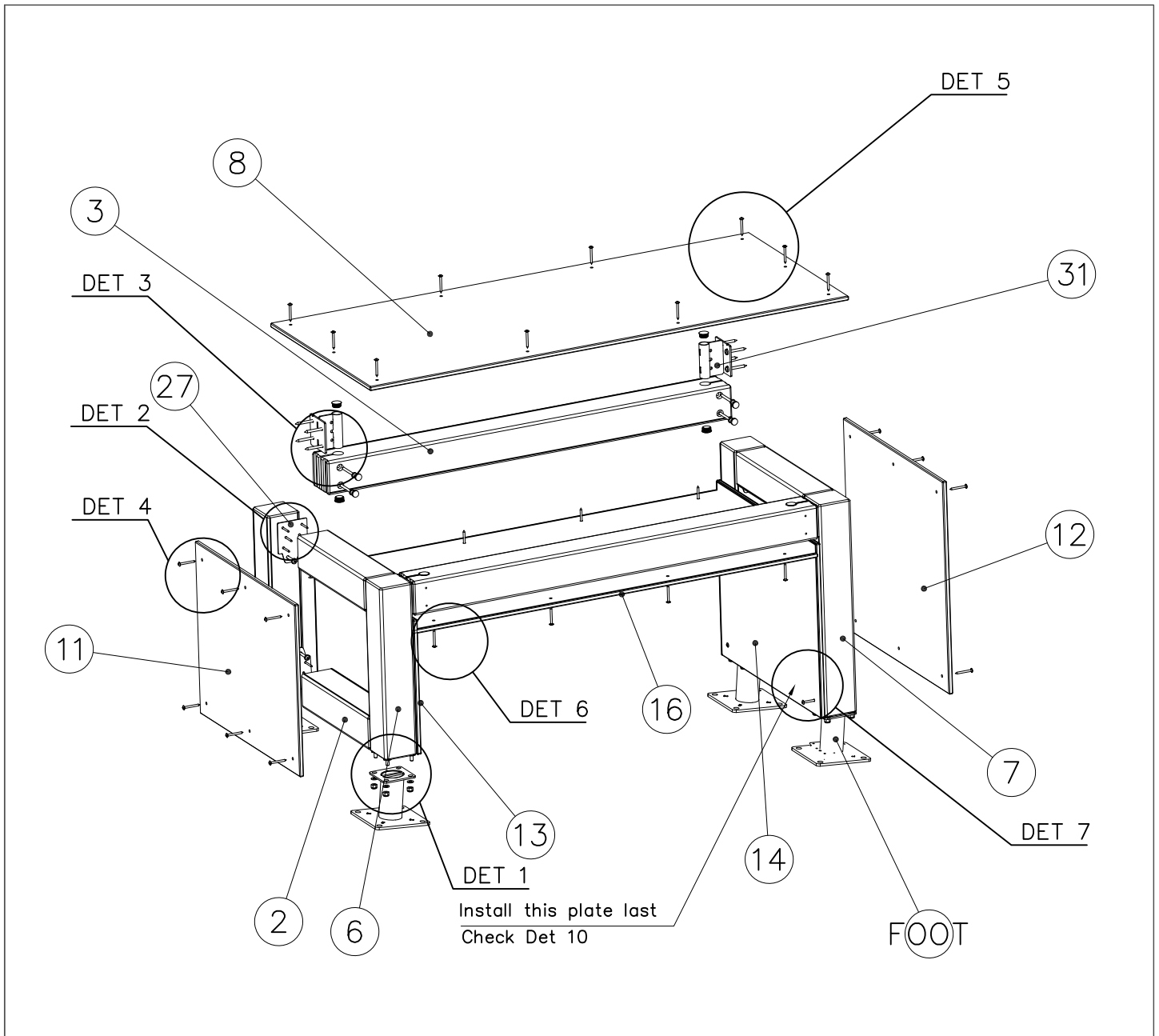
910266

908698



### JIG DET B (USE DET 9)





### JIG DET A (USE DET 2-3)

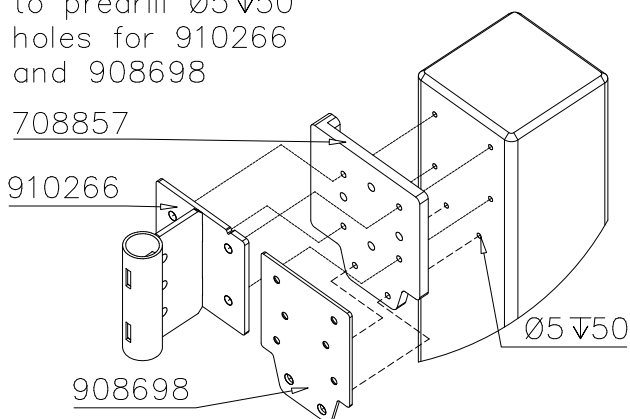
**NOTE:**

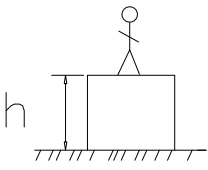
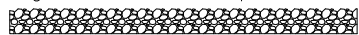

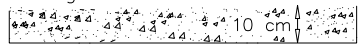
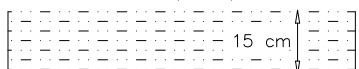
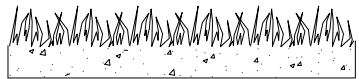
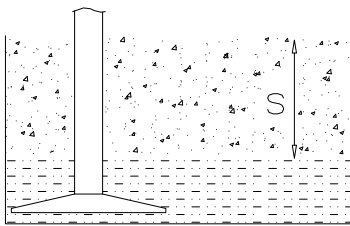
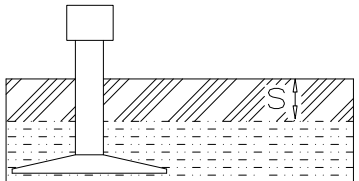
Use drill jig 708857 to predrill  $\text{Ø}5 \nabla 50$  holes for 910266 and 908698

708857

910266

908698



														
<p><math>h &lt; 1600</math></p>	<p>Totally hard surfaces or materials with very limited impact attenuating properties.</p> <p>Case by case risk assessment is needed including e.g. evaluation whether there is forced movement, what is the intended exercise and where will the product be installed.</p> <p>Materials with significant impact attenuating properties.</p>	<p>Totally hard surfaces. E.g. concrete or asphalt</p>  <p>Materials with very limited impact attenuating properties. E.g. wood</p>  <p>fine gravel 0–8 mm</p>  <p>Unsorted sand/ topsoil</p>  <p>Lawn</p> 												
<p><math>h = 1600-</math> <math>h &lt; 3000</math></p>	<p>Loose fill material</p> <p>E.g. sand/gravel 0,25...8 mm D60/D10&lt;3,0 Woodchips 5...30 mm bark 20...80 mm</p>	 <p><math>\underline{S}</math> 30 cm</p> <p><math>\underline{h}</math> &lt; 3,0 m</p>												
	<p>Syntethic granulates</p> <table border="0"> <tr> <td><math>\underline{S}</math></td> <td><math>\underline{h}</math></td> </tr> <tr> <td>40 mm</td> <td>~&gt; 1,6...~&lt; 1,8 m</td> </tr> <tr> <td>50 mm</td> <td>~&gt; 1,8...~&lt; 2,25 m</td> </tr> <tr> <td>55 mm</td> <td>~&gt; 2,25...~&lt; 2,4 m</td> </tr> <tr> <td>60 mm</td> <td>~&gt; 2,4...~&lt; 2,55 m</td> </tr> <tr> <td>70 mm</td> <td>~&gt; 2,55...~&lt; 3,0 m</td> </tr> </table> <p>Note. For accurate values, see manufacturer's instructions.</p>	$\underline{S}$	$\underline{h}$	40 mm	~> 1,6...~< 1,8 m	50 mm	~> 1,8...~< 2,25 m	55 mm	~> 2,25...~< 2,4 m	60 mm	~> 2,4...~< 2,55 m	70 mm	~> 2,55...~< 3,0 m	
$\underline{S}$	$\underline{h}$													
40 mm	~> 1,6...~< 1,8 m													
50 mm	~> 1,8...~< 2,25 m													
55 mm	~> 2,25...~< 2,4 m													
60 mm	~> 2,4...~< 2,55 m													
70 mm	~> 2,55...~< 3,0 m													



Tuotekyltti tulee tuotteen mukana yhdellä seuraavista tavoista:

**1) Metallinen tuotekyltti ja kiinnitysruuvit**

- Kiinnitä tuotekyltti ruuveilla tolppaan noin 2 metrin korkeuteen kuvan 1 mukaisesti.

**2) Tuotekyltitarra**

- Puhdista maalattu metalli- tai vaneripinta pölystä ja kosteudesta. Liimaa tarra kuvan 2 mukaisesti.
- Huom. Älä kiinnitä tarraa karheapintaiseen laminaattiin tai maalattuun puuhun.

Vår produktmärkning levereras på ett av följande sätt:

**1) Produktskylt i metall**

- Fäst skylten med de medföljande skruvarna

**2) Självhäftande produktetikett**

- Rengör den pulverlackerade metallytan eller laminatyten så att den blir fri från smuts och fukt. Fäst etiketten enligt fig. 2.
- Obs! Fäst ej etiketten på detaljer med skrovlig yta eller på målat trä.

Product label is delivered by one of following ways:

**1) Metal product label and screws**

- Fasten the label with screws.

**2) Label sticker**

- Clean the painted metal or plywood surface from dirt and moisture. Fasten the sticker as shown in the figure 2.
- Note. Do not attach the sticker to rough surfaced laminate or painted wood.

La plaque d'informations produit est livrée sous l'une de ces 3 formes :

**1) Plaque métallique et vis**

- Fixez la plaque à l'aide des vis.

**2) Etiquette autocollante**

- Avant de coller l'étiquette, nettoyez le composant métallique peint ou la plaque de contreplaqué, de toute saleté. La surface doit être sèche (voir image 2).
- Attention, ne pas coller l'étiquette sur une surface lamellé-collée irrégulière ou sur du bois peint.

Die Auslieferung des Produktaufklebers erfolgt auf eine dieser Arten:

**1) Produkt-Schild aus Metall incl. Schrauben**

- Die Befestigung des Schildes erfolgt mittels der Schrauben.

**2) Aufkleber**

- Entfernen Sie zunächst Schmutz und Feuchtigkeit vom lackierten Metall bzw. von der Holzoberfläche und bringen Sie den Aufkleber wie im Bild oben rechts beschrieben auf den gesäuberten Untergrund auf.
- Beachten Sie: Bringen Sie den Aufkleber nicht auf raues laminiertes oder lackiertes Holz an.