

WINAM GROUP

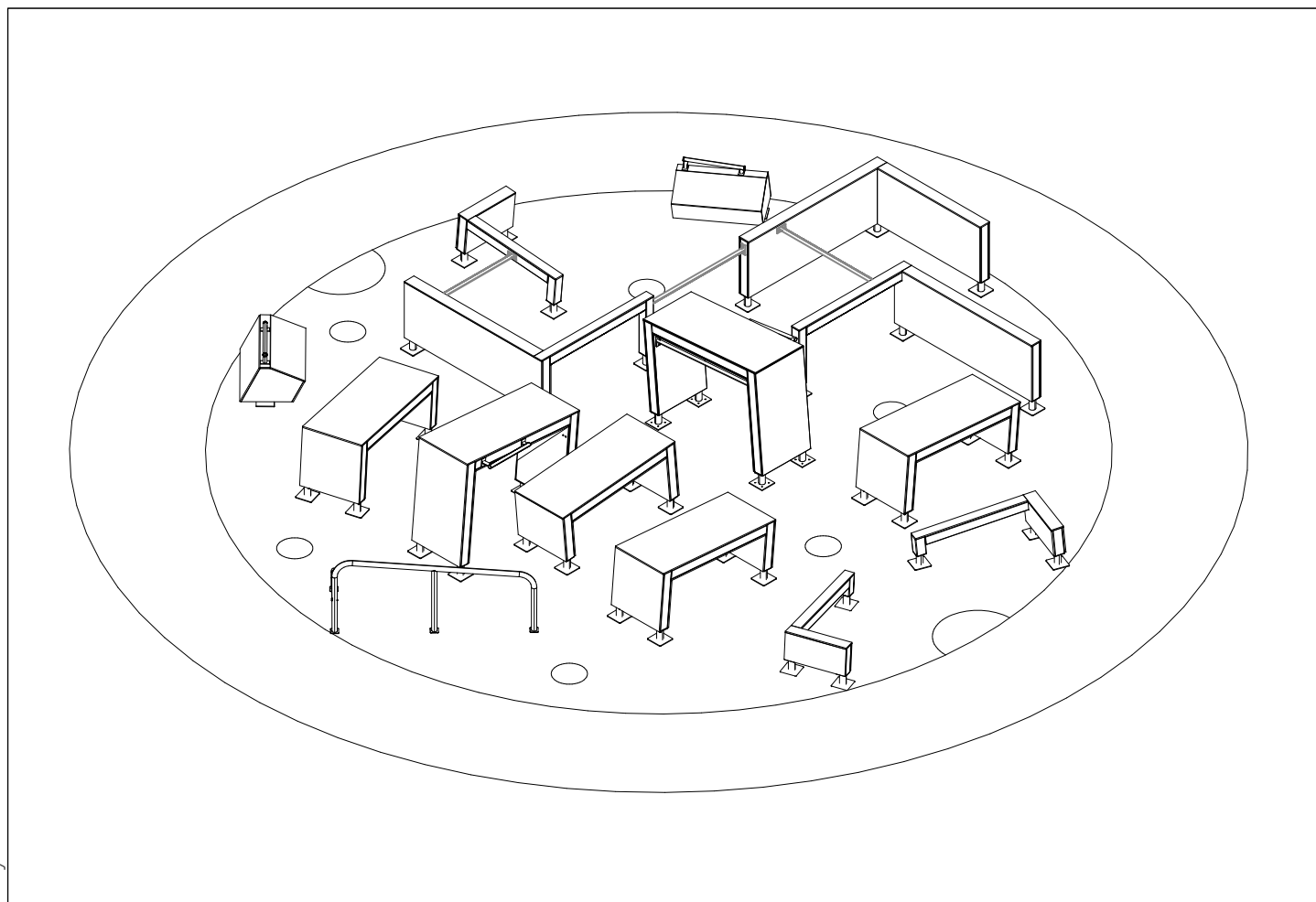
DASH PARKOUR

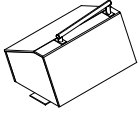
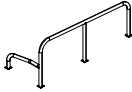
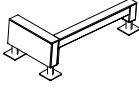
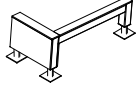
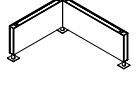
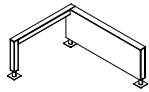






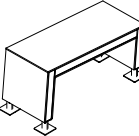
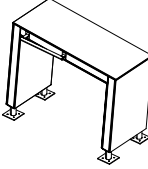
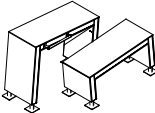
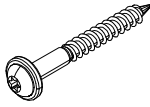





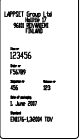


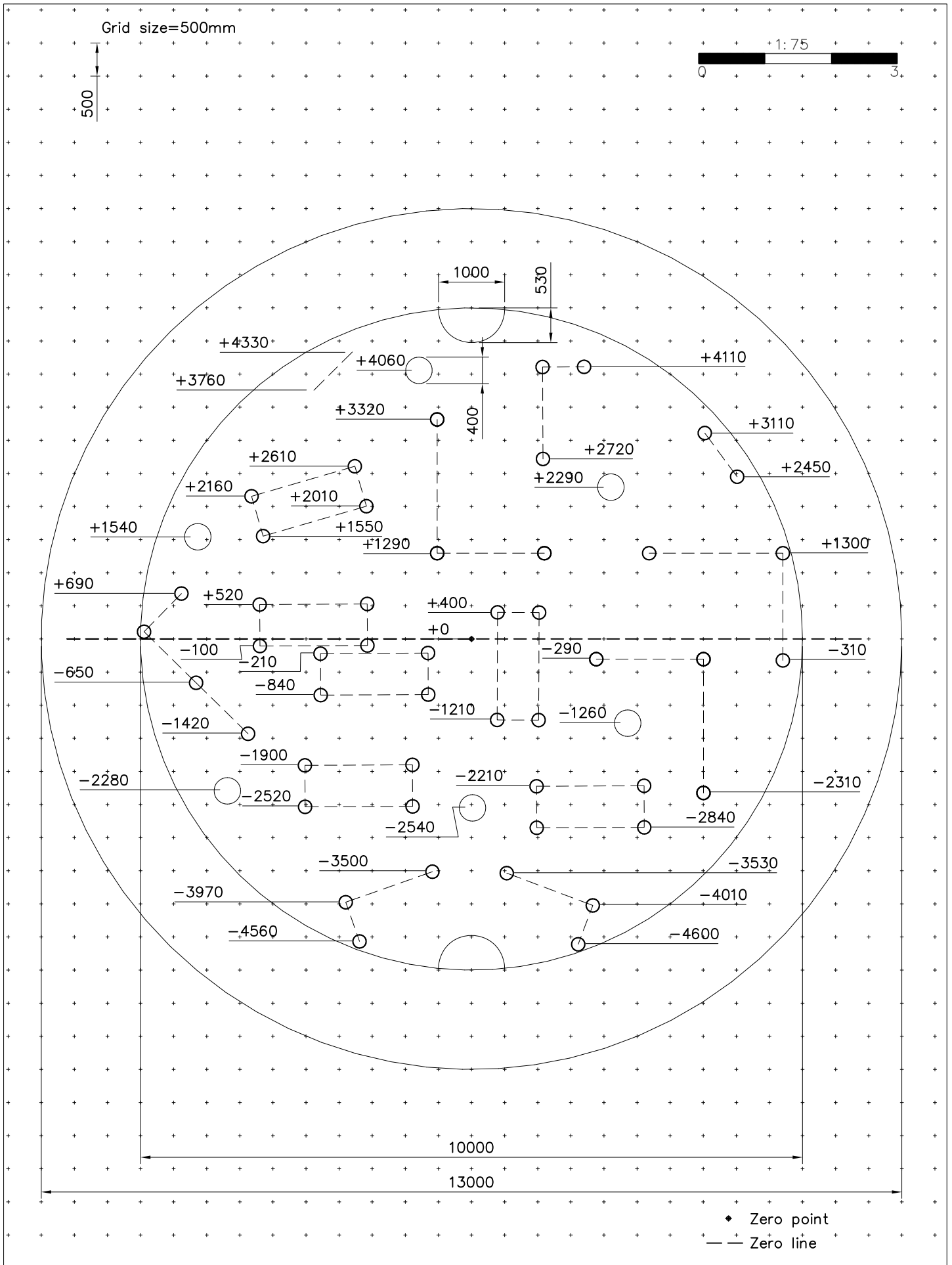
ASENNUSOHJE
MONTERINGSANSVISNING
INSTALLATION INSTRUCTION
AUFBAUANLEITUNG
NOTICE D'INSTALLATION

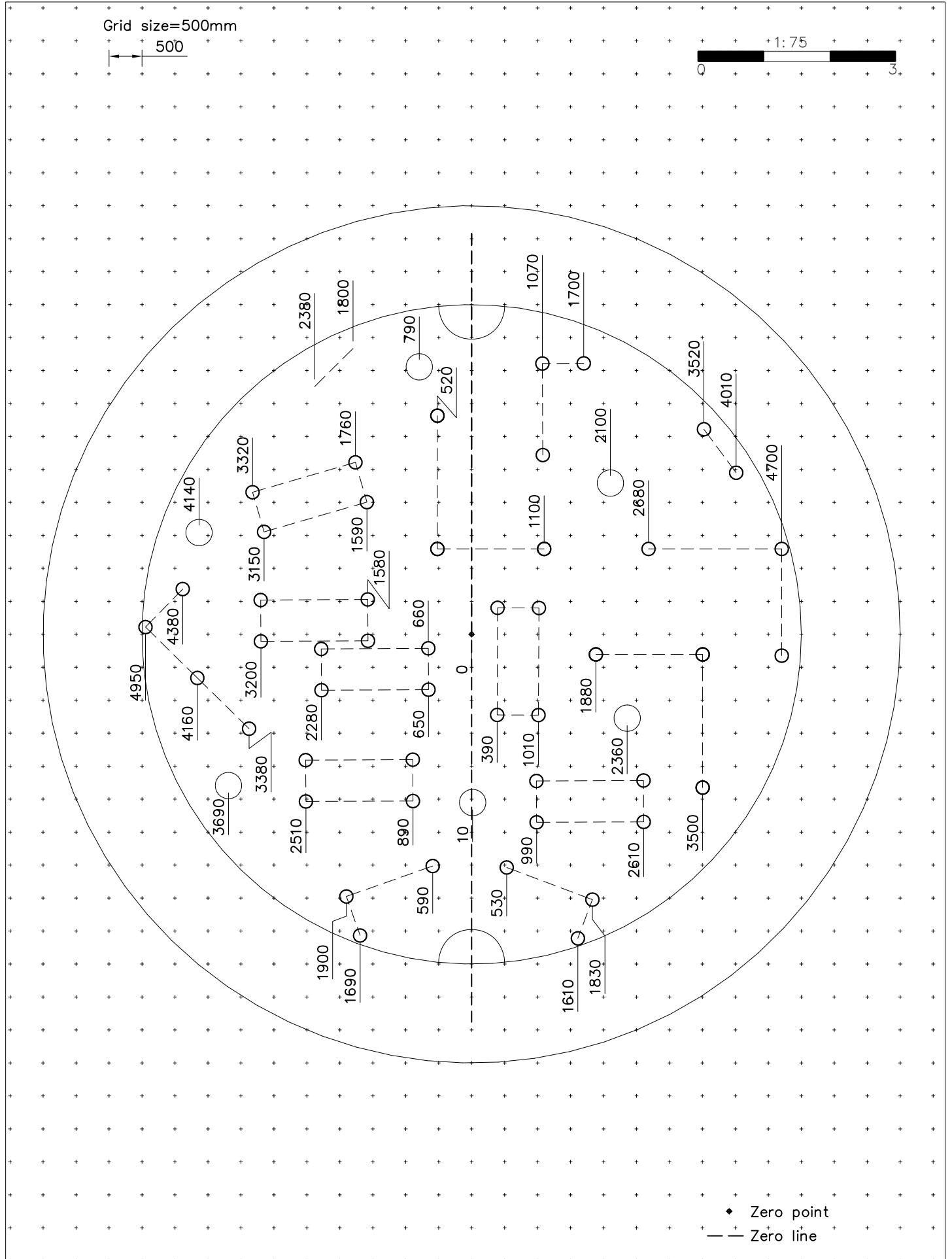
DATE: 8.9.2020

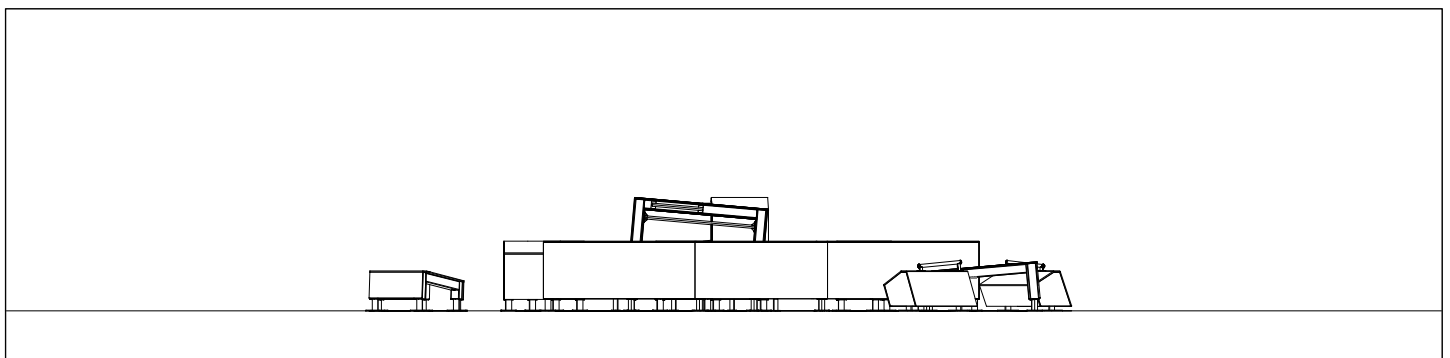
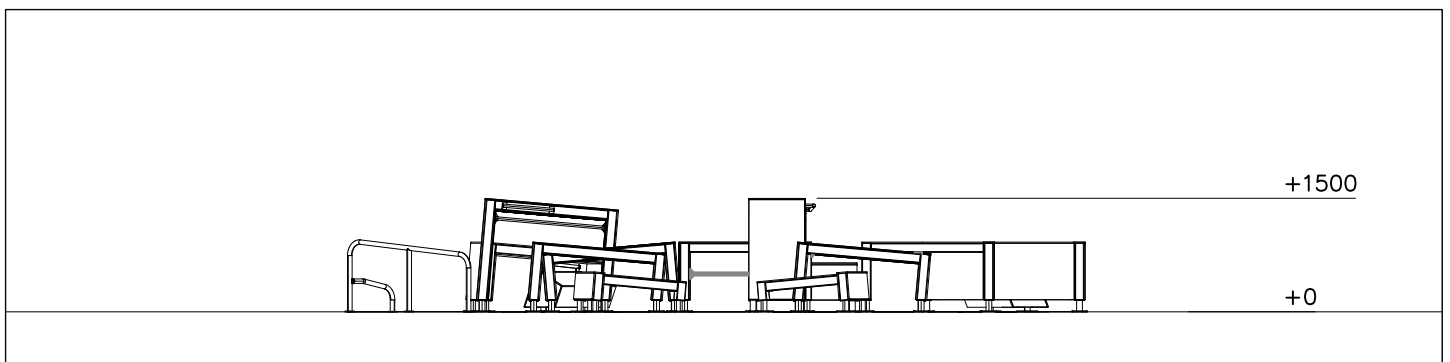
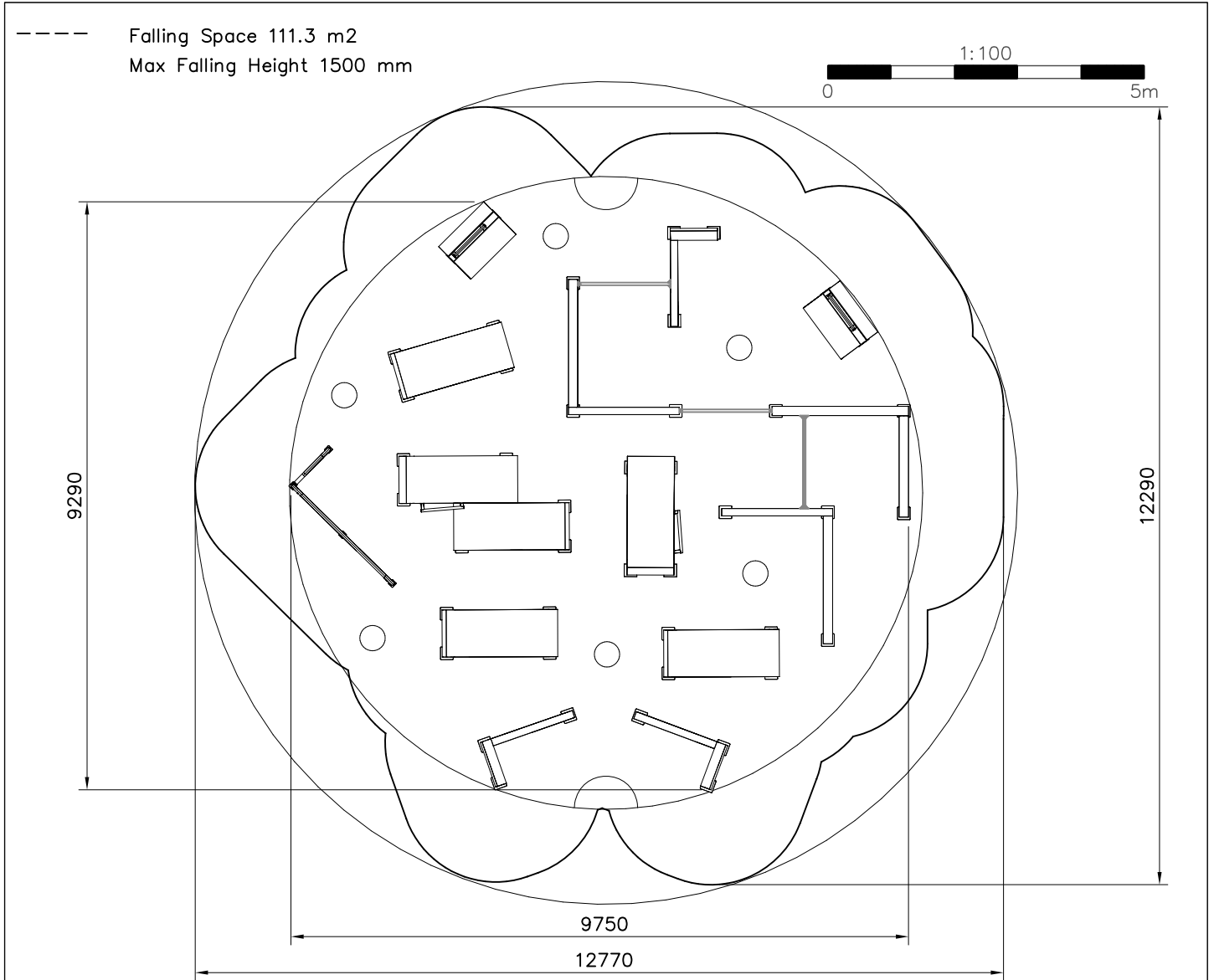
081791M

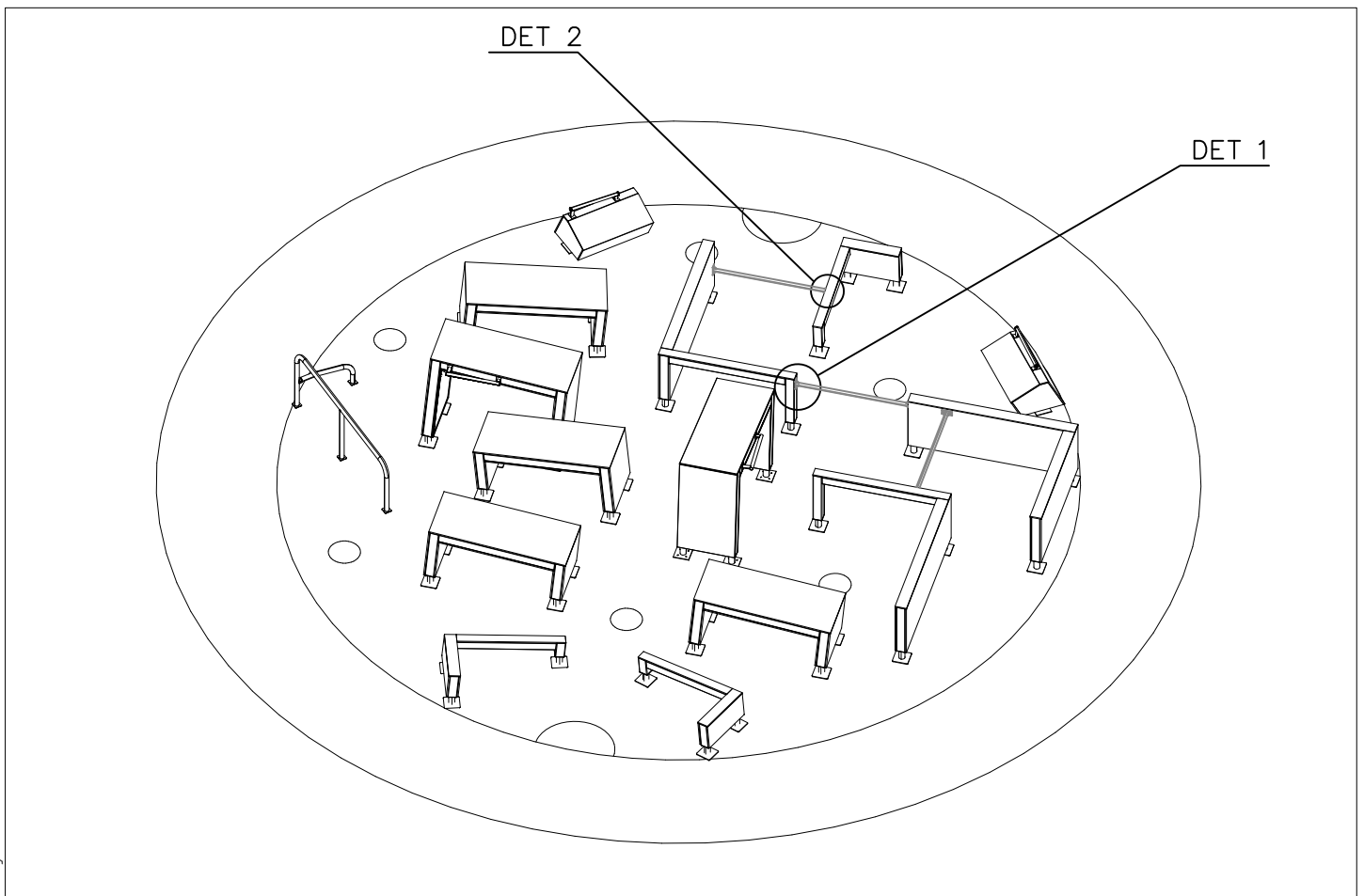
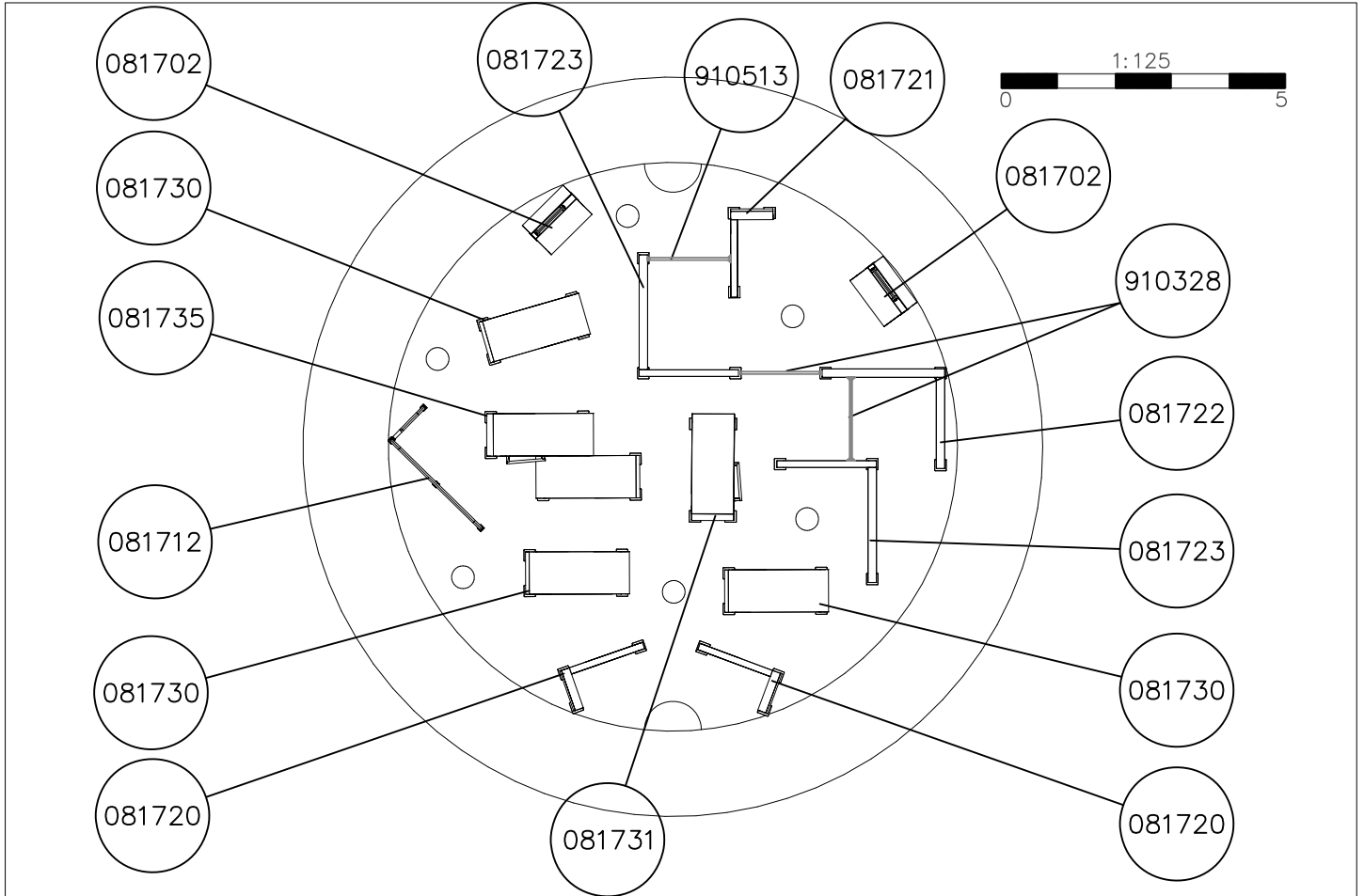


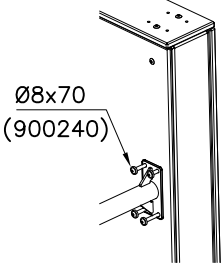
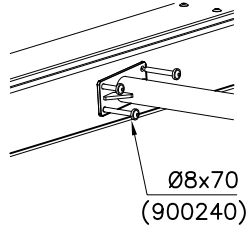
081702M	PCS 2	081712M	PCS 1	081720M	PCS 2	081721M	PCS 1	081722M	PCS 1	081723M	PCS 2
											
											
081730M	PCS 3	081731M	PCS 1	081735M	PCS 1	900240	PCS 24	910328	PCS 2	910513	PCS 1
											
						Ø8x70		L 1466		L 1466	
702341	PCS 1		PCS		PCS		PCS		PCS		PCS
											
90x50											
	PCS		PCS		PCS		PCS		PCS		PCS
	PCS		PCS		PCS		PCS		PCS		PCS
	PCS		PCS		PCS		PCS		PCS		PCS

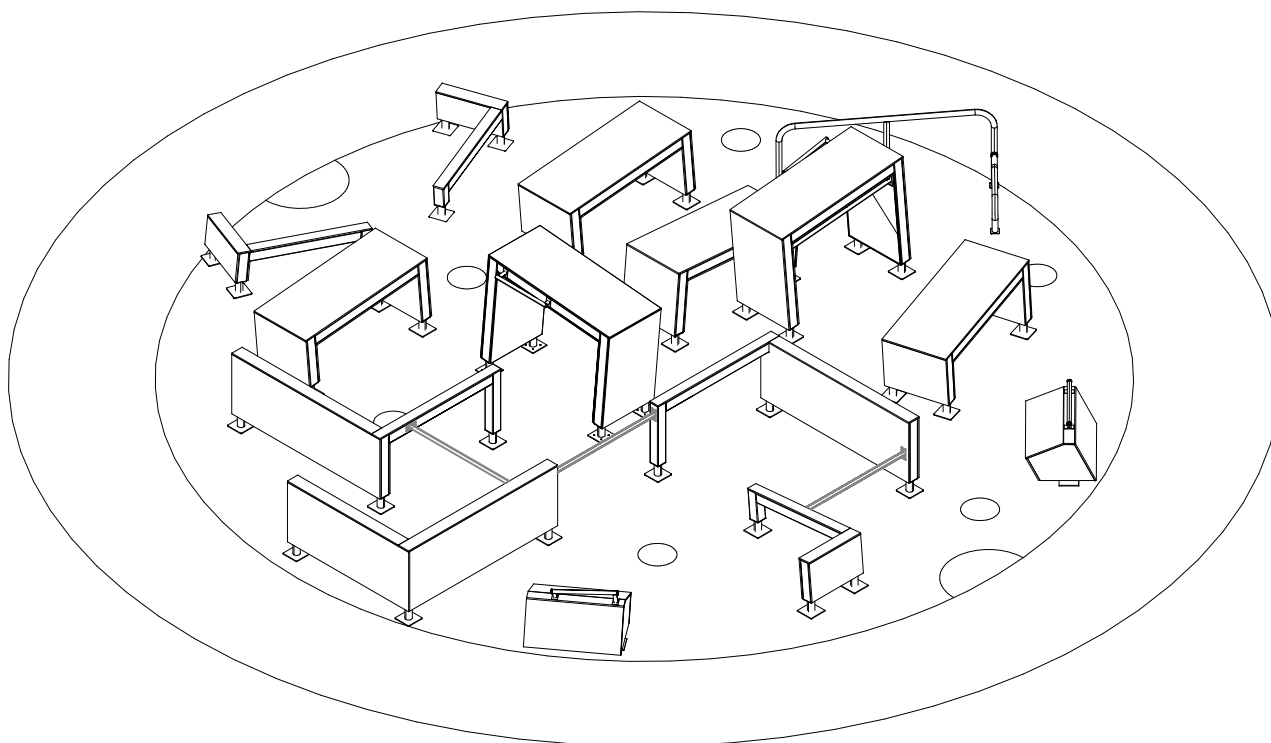
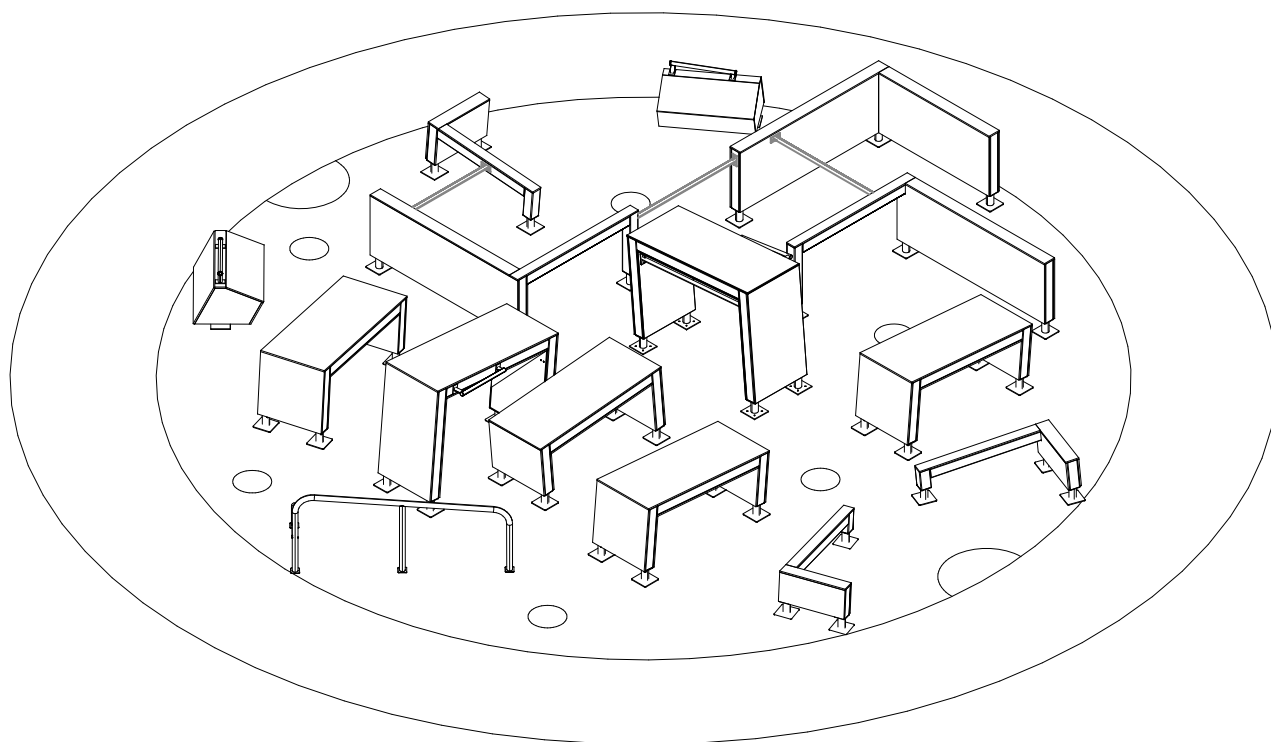


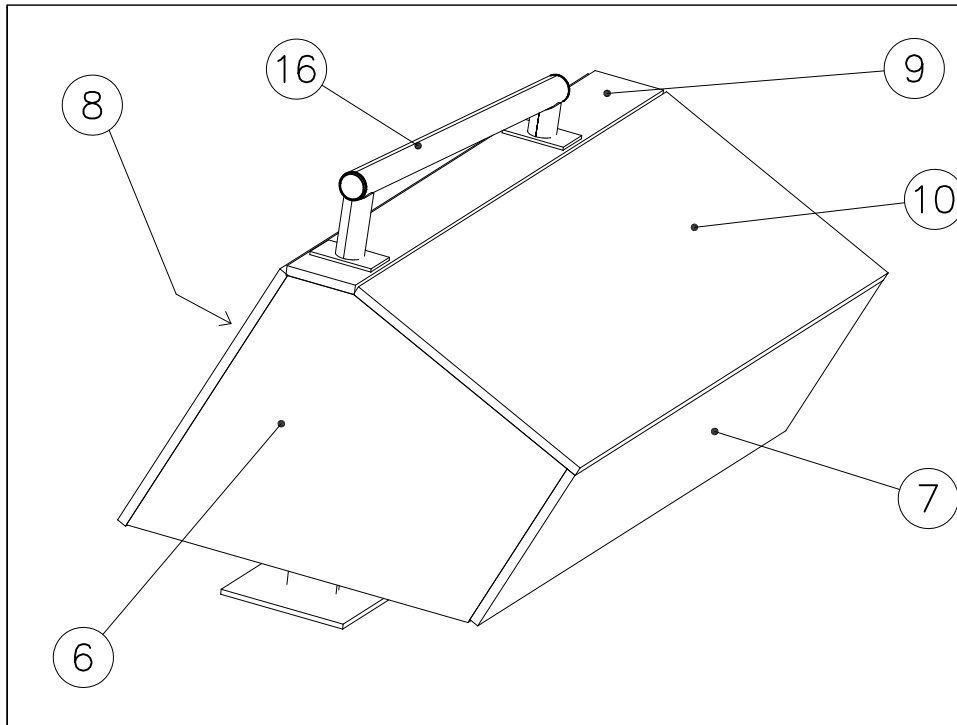


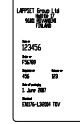

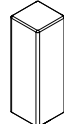
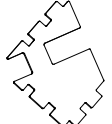
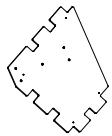
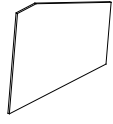


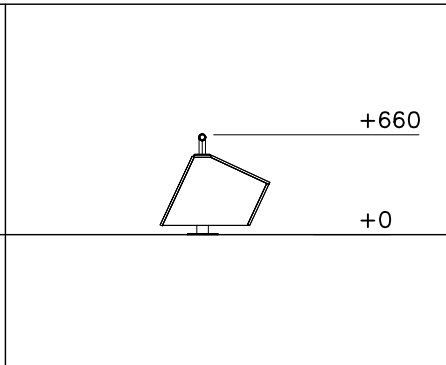
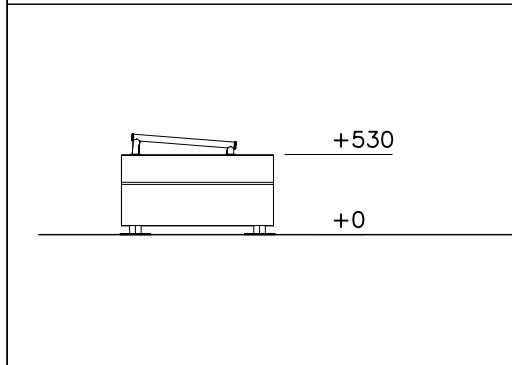


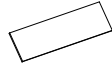
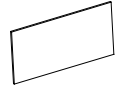

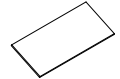
<p>DET 1</p>  <p>Ø8x70 (900240)</p>	<p>DET 2</p>  <p>Ø8x70 (900240)</p>		

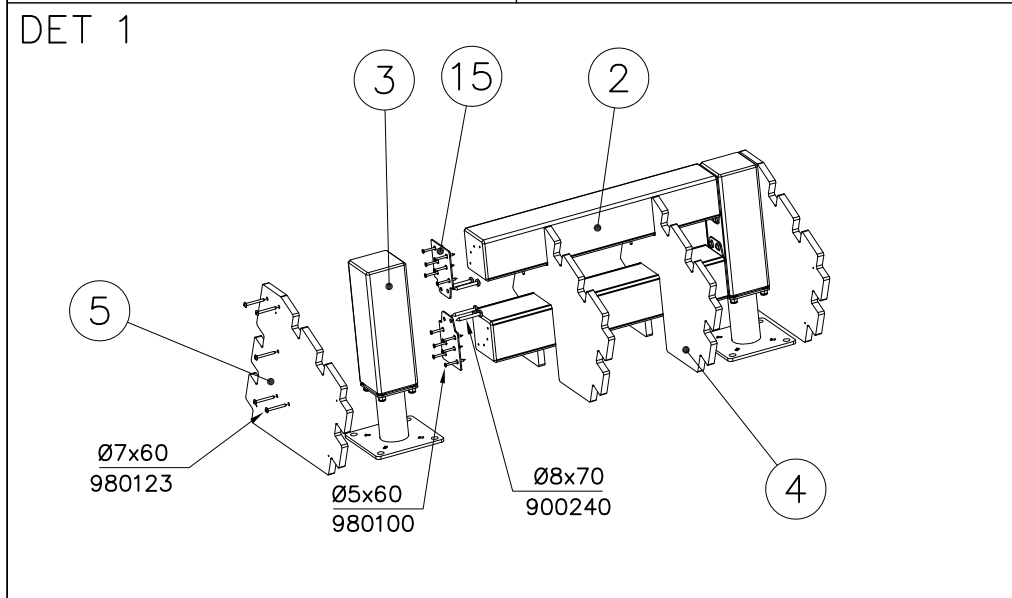





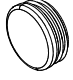


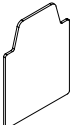
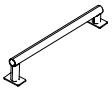

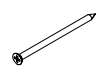


① 702341  90x50	PCS 1	② 708109  118x118x697	PCS 2
③ 708443  118x118x352	PCS 2	④ 708848  18x450x690	PCS 2
⑤ 708849  18x450x690	PCS 2	⑥ 708850  15x450x690	PCS 2

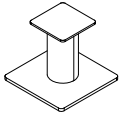
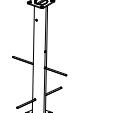


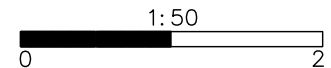
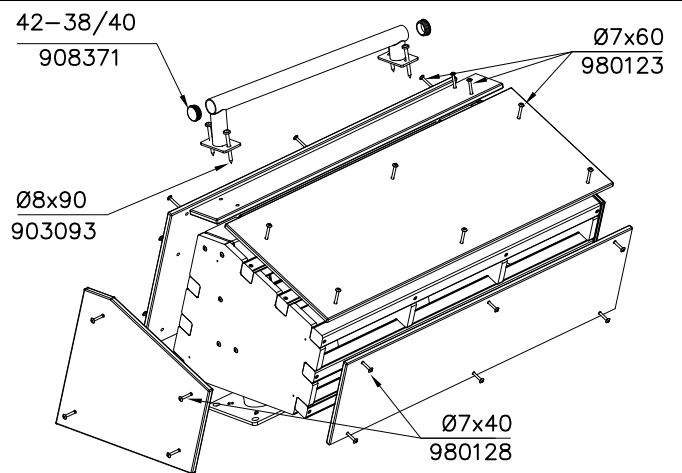
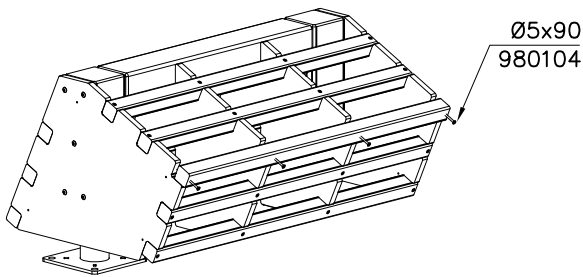
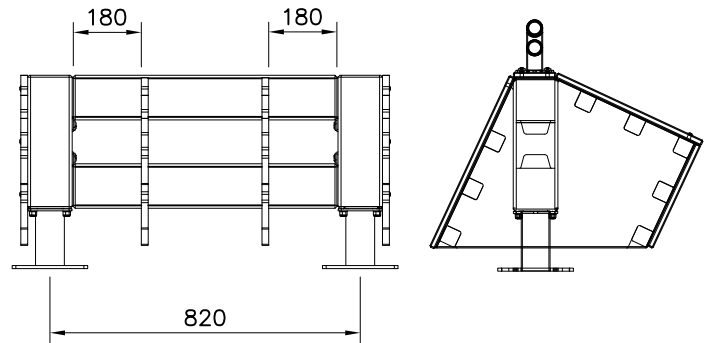
⑦ 708851  15x300x1005	PCS 1	⑧ 708852  15x500x1005	PCS 1
⑨ 708853  15x112x1005	PCS 1	⑩ 708854  15x425x1005	PCS 1



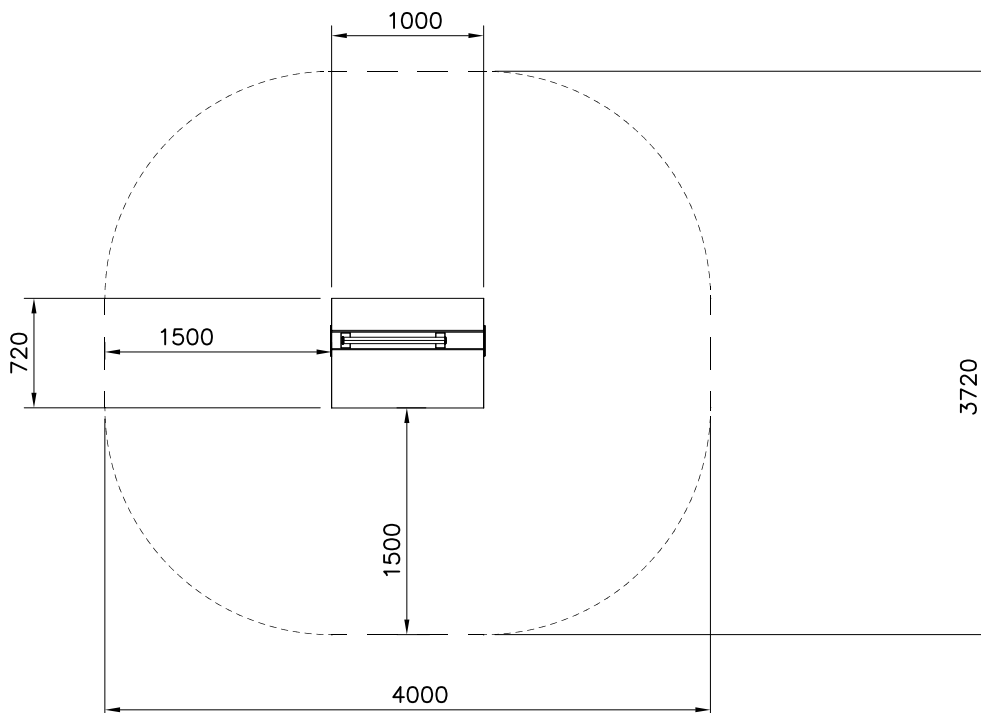
⑪ 708855  45x45x975	PCS 8	⑫ 900240  Ø8x70	PCS 8
⑬ 903093  Ø8x90	PCS 4	⑭ 908371  42-38/40	PCS 2

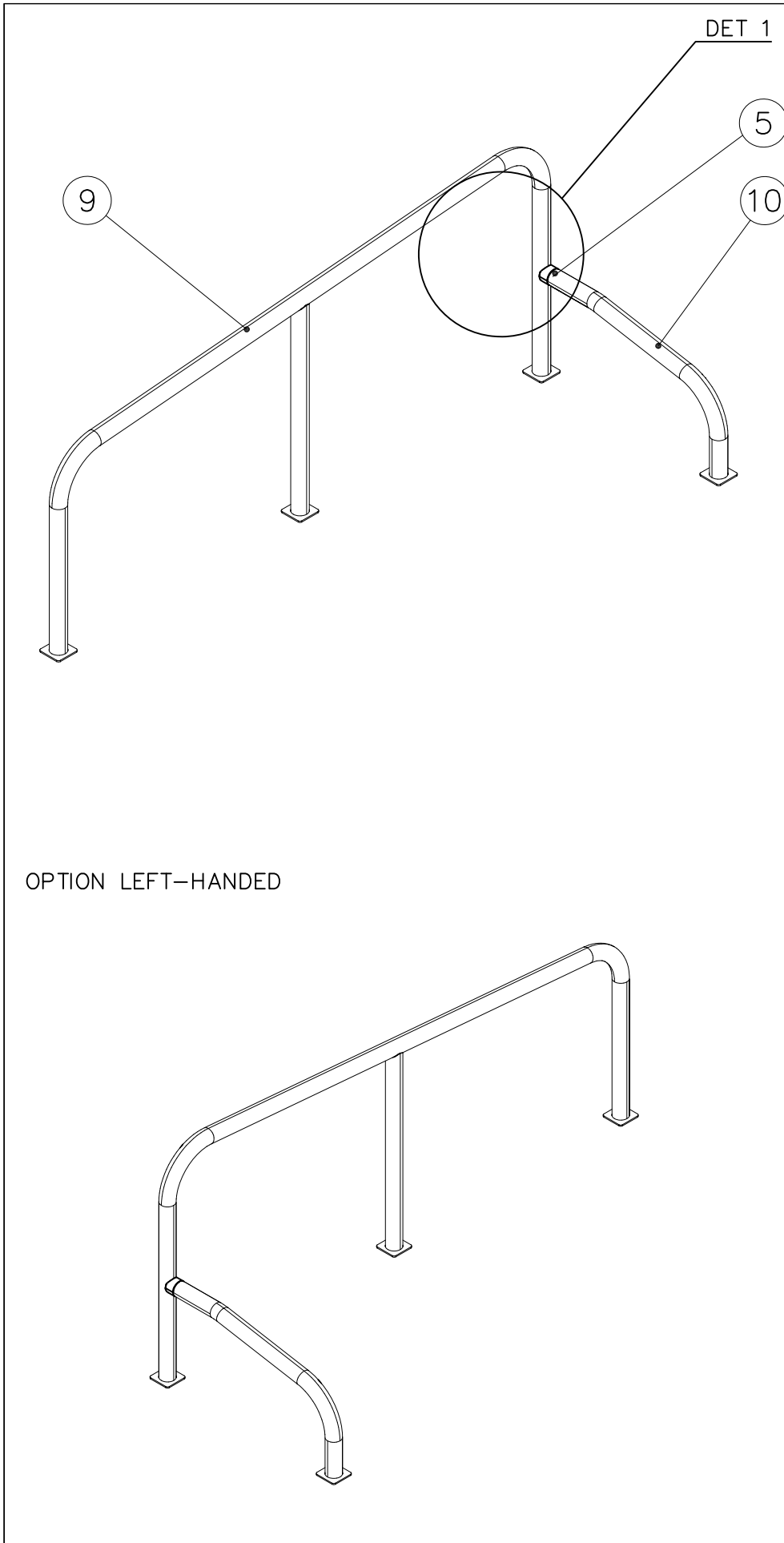
⑮ 908698  3x114x108	PCS 4	⑯ 910056  140x690	PCS 1	⑰ 980100  Ø5x60	PCS 24	⑱ 980104  Ø5x90	PCS 32	⑲ 980123  Ø7x60	PCS 27	⑳ 980128  Ø7x40	PCS 14
--	----------	--	----------	--	-----------	---	-----------	--	-----------	--	-----------

709261+		709262+	
○ 910330	PCS	○ 910567	PCS
SURFACE	2	CONCRETE	2
			
152x200x200		117x117x715	



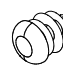
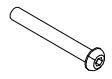
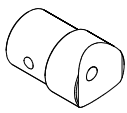
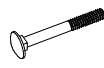


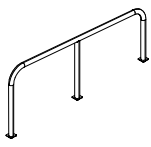

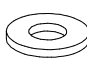


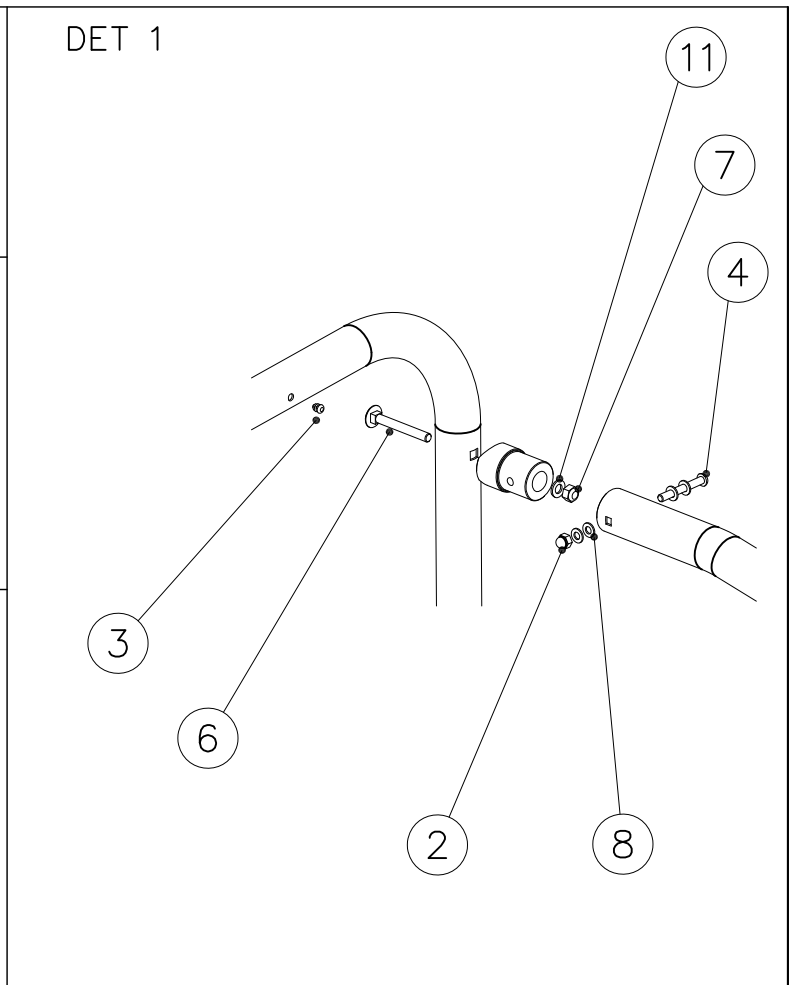
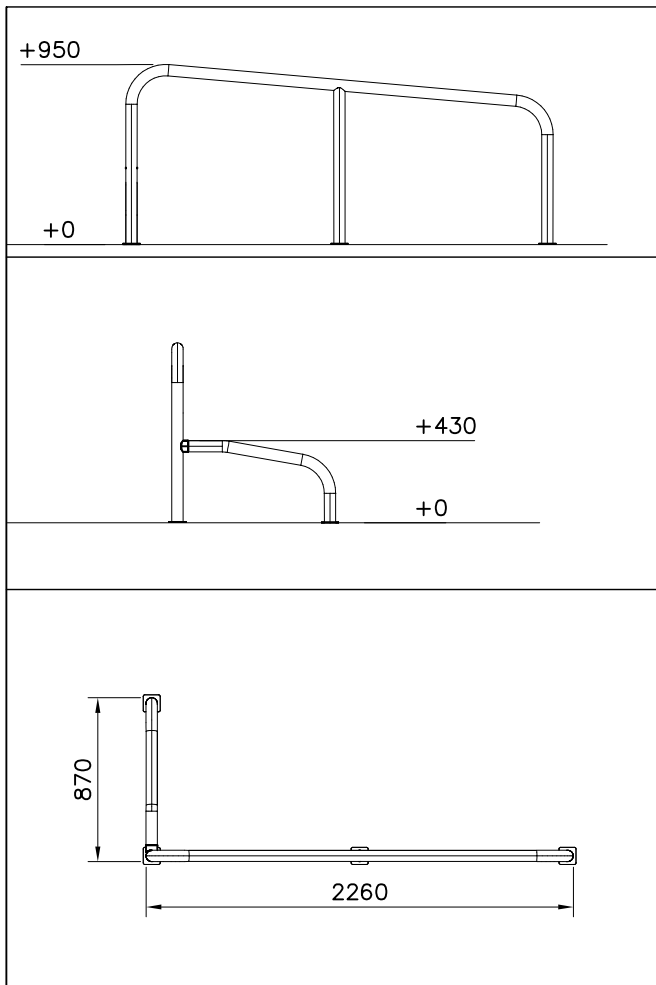
----- Falling Space 13 m²
 Max Falling Height 660 mm





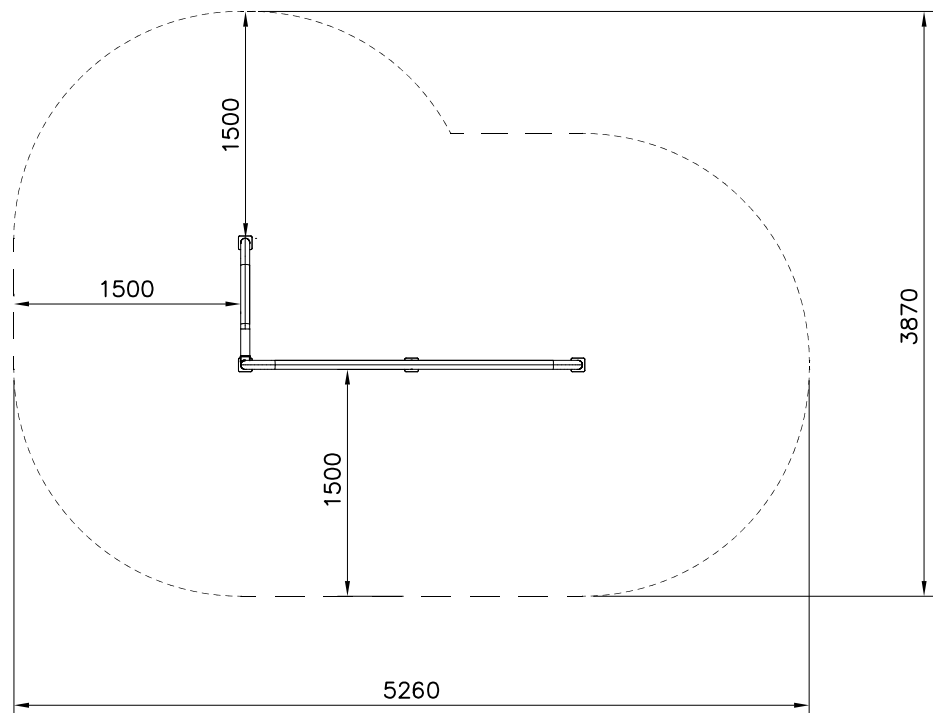
OPTION LEFT-HANDED

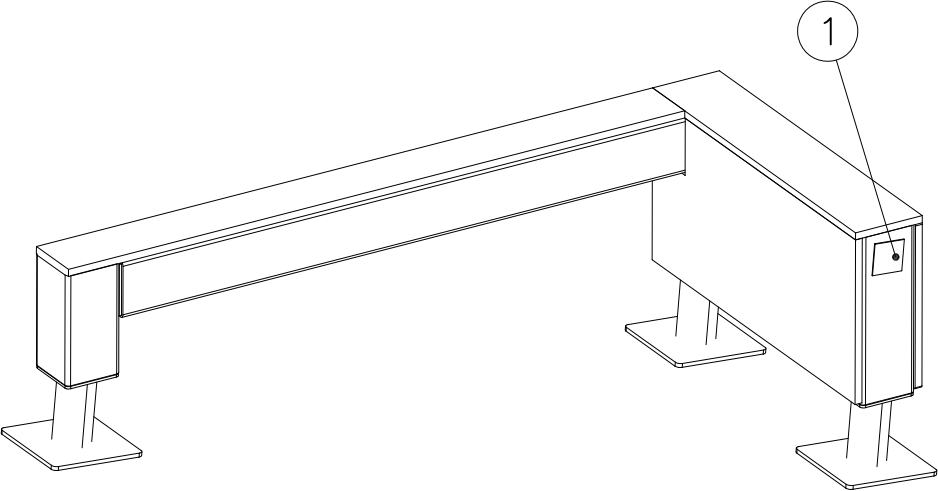

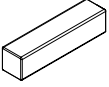
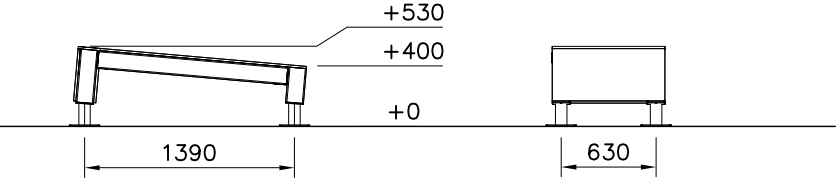

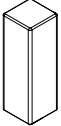
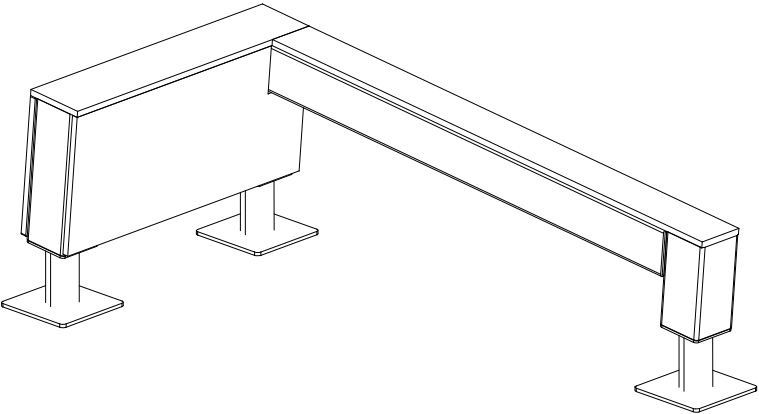
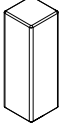
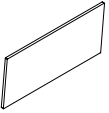
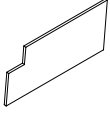
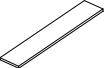

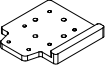
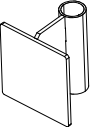




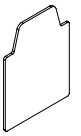
①	702341	PCS	②	900965	PCS
		1			1
	90x50			M10	
③	903533	PCS	④	904133	PCS
		4			1
	SRL12			M10x80	
⑤	908069	PCS	⑥	909111	PCS
		1			1
	Ø60x87.6			M12x100	
⑦	909248	PCS	⑧	909638	PCS
		1			4
	M12			Ø20/10.5	
⑨	910255	PCS	⑩	910262	PCS
		1			1
	Ø60x950x2290			Ø60x435x795	
⑪	980154	PCS			PCS
		1			
	Ø24/13				






----- Falling Space 16.2 m²
 Max Falling Height 950 mm

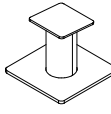

1:50
 0 2



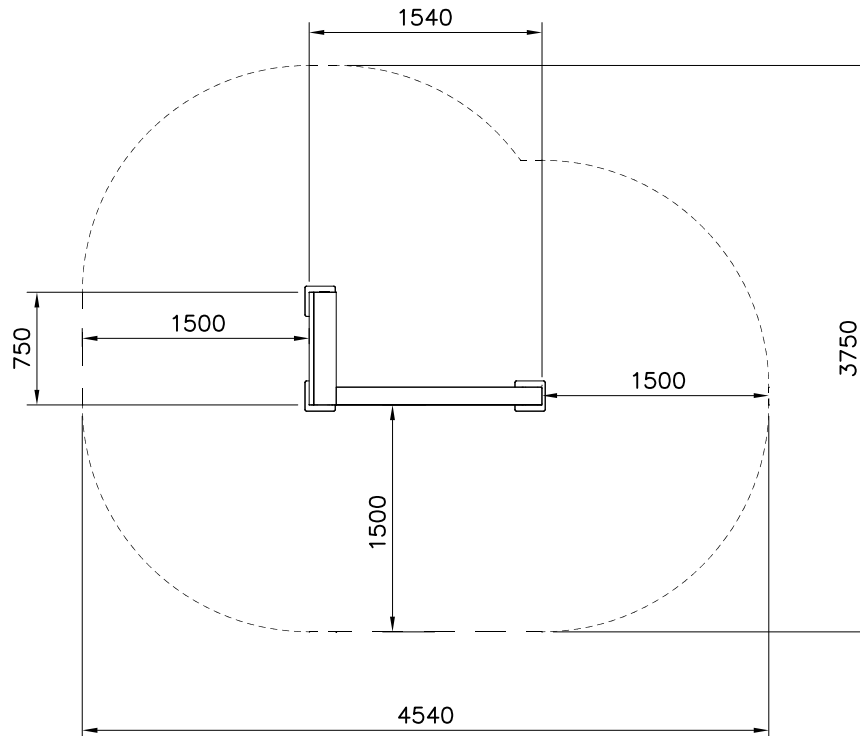
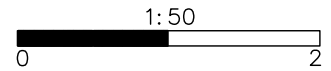
	<p>① 702286 PCS</p>  <p>65x65</p>	<p>② 707210 PCS</p>  <p>118x118x503</p>
	<p>③ 707212 PCS</p>  <p>118x118x1254</p>	<p>④ 708347 PCS</p>  <p>118x118x231</p>
<p>INSTALLATION OF A SECOND HAND</p> 	<p>⑤ 708443 PCS</p>  <p>118x118x352</p>	<p>⑥ 708727 PCS</p>  <p>15x346x745</p>
	<p>⑦ 708730 PCS</p>  <p>15x346x745</p>	<p>⑧ 708733 PCS</p>  <p>15x148x745</p>
	<p>⑨ 708734 PCS</p>  <p>15x118x1365</p>	<p>⑩ 708857 JIG PCS</p>  <p>20x133x149</p>
	<p>⑪ 910266 PCS</p>  <p>90x108x118</p>	<p>⑫ 900240 PCS</p>  <p>Ø8x70</p>
	<p>⑬ 903093 PCS</p>  <p>Ø8x90</p>	<p>⑭ 905103 PCS</p>  <p>PT-28/32-H</p>
	<p>⑮ 905112 PCS</p>  <p>Ø22</p>	<p>⑯ 908698 PCS</p>  <p>3x114x108</p>

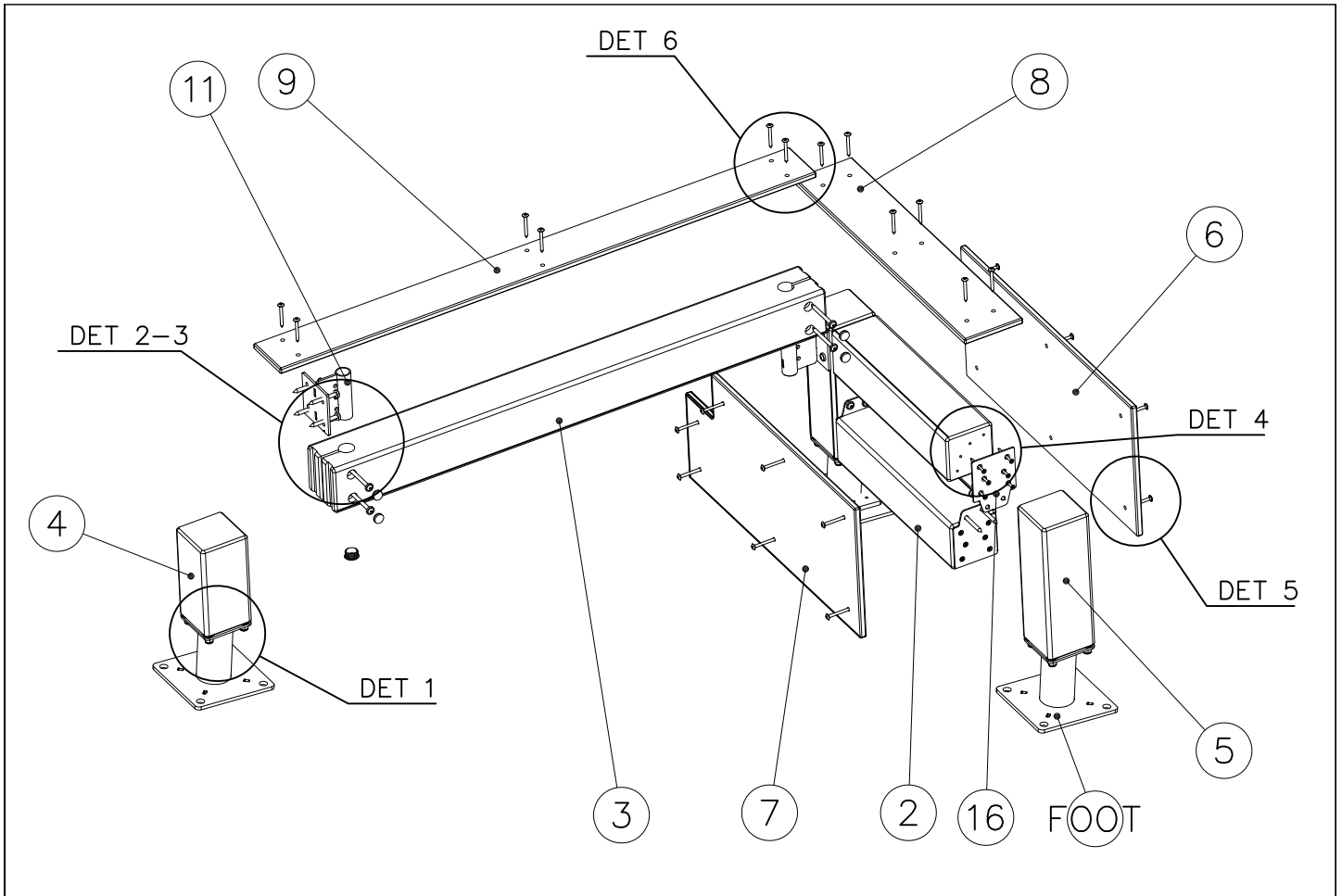
⑰ 980100	PCS	⑱ 980114	PCS	⑲ 980123	PCS
	28		4		25
Ø5x60		Ø4x20		Ø7x60	

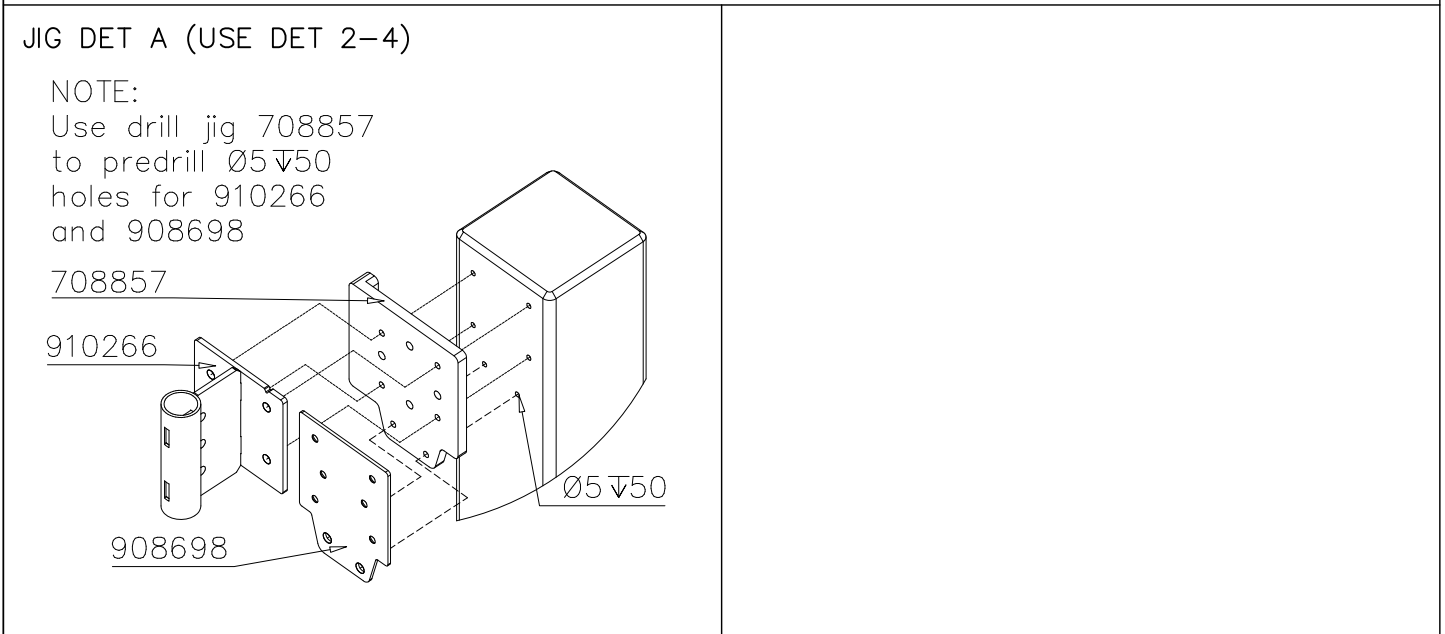
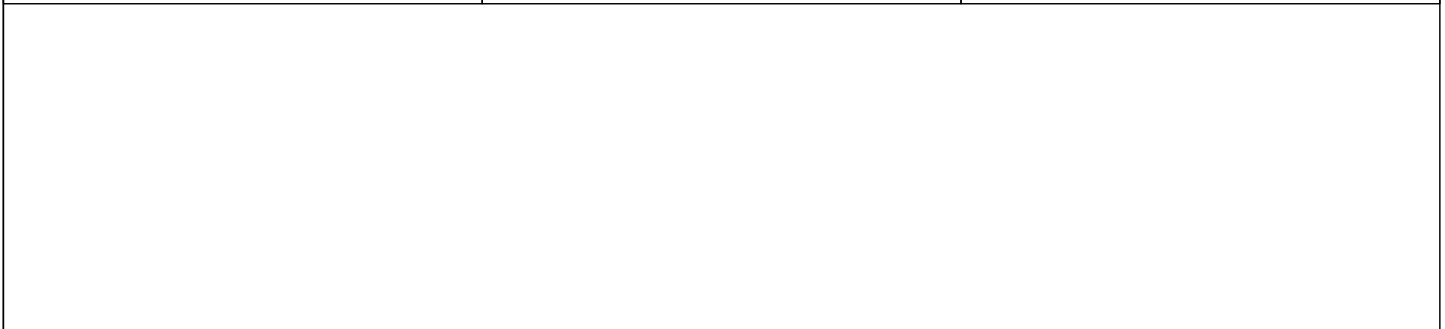
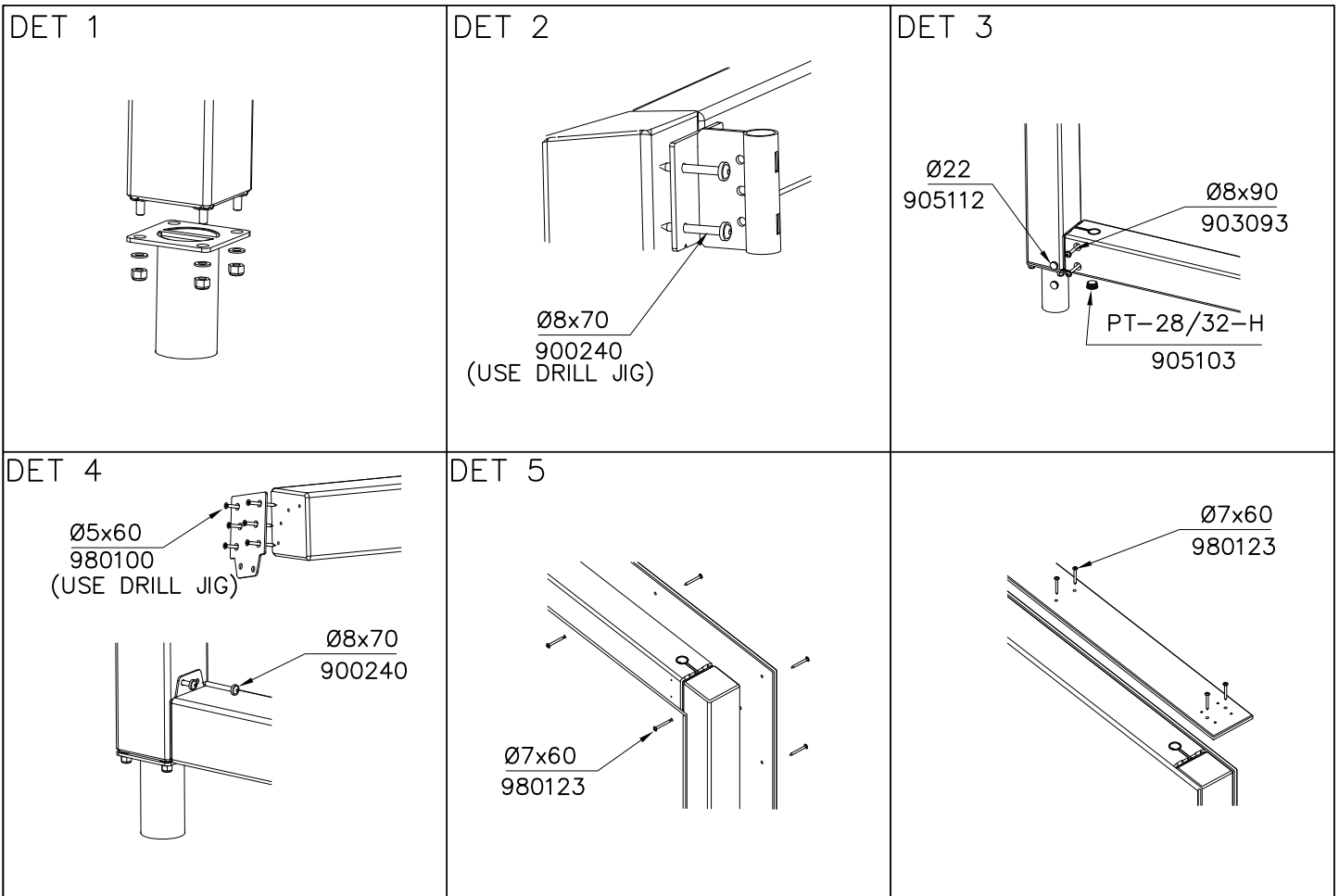
FOOT OPTIONS

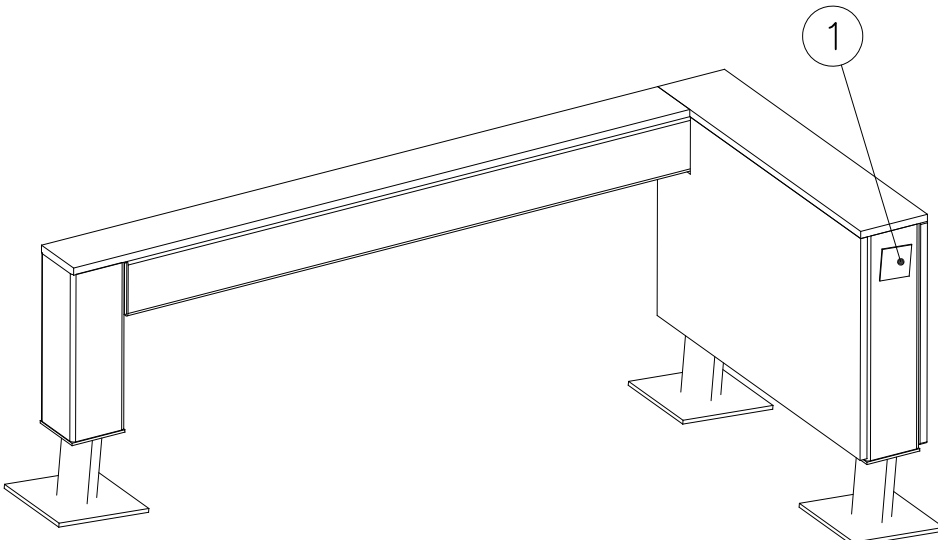

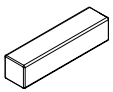
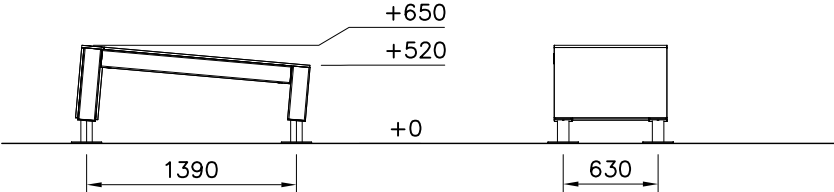

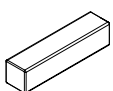
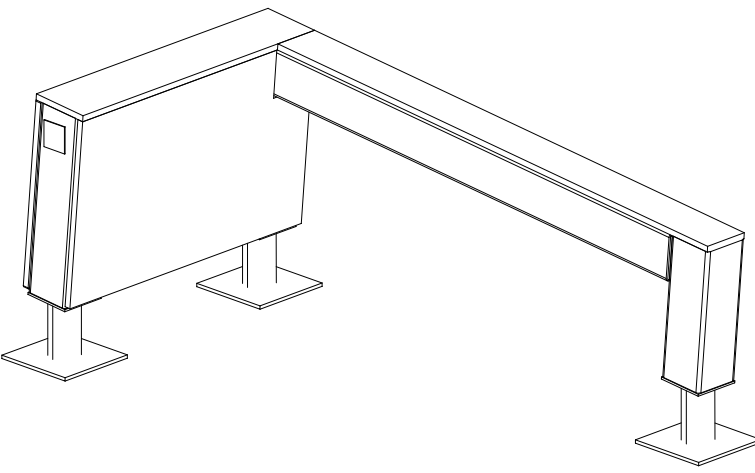
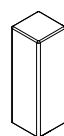
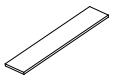

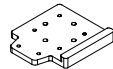
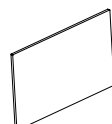




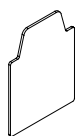
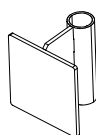
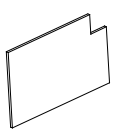
709261+		709262+	
○ 910267	PCS	○ 910567	PCS
SURFACE	3	CONCRETE	3
			
152x200x200		117x117x715	




----- Falling Space 13.8 m2
Max Falling Height 530 mm



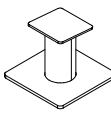
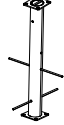




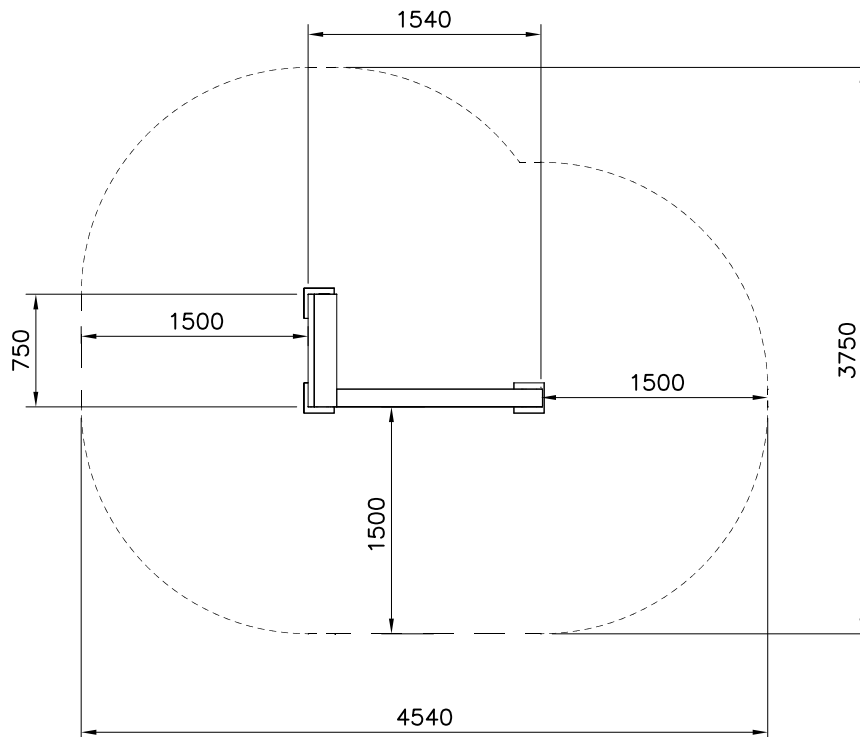
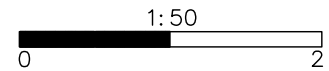
	<p>① 702286 PCS</p>  <p>65x65</p>	<p>② 707210 PCS</p>  <p>118x118x503</p>
	<p>③ 707212 PCS</p>  <p>118x118x1254</p>	<p>④ 707889 PCS</p>  <p>118x118x472</p>
<p>INSTALLATION OF A SECOND HAND</p> 	<p>⑤ 708443 PCS</p>  <p>118x118x352</p>	<p>⑥ 708733 PCS</p>  <p>15x148x745</p>
	<p>⑦ 708734 PCS</p>  <p>15x118x1365</p>	<p>⑧ 708857 JIG</p>  <p>20x133x149</p>
	<p>⑨ 708731 PCS</p>  <p>15x466x745</p>	<p>⑩ 900240 PCS</p>  <p>Ø8x70</p>
	<p>⑪ 903093 PCS</p>  <p>Ø8x90</p>	<p>⑫ 905103 PCS</p>  <p>PT-28/32-H</p>
	<p>⑬ 905112 PCS</p>  <p>Ø22</p>	<p>⑭ 908698 PCS</p>  <p>3x114x108</p>
	<p>⑮ 910266 PCS</p>  <p>90x108x118</p>	<p>⑯ 708732 PCS</p>  <p>15x466x745</p>

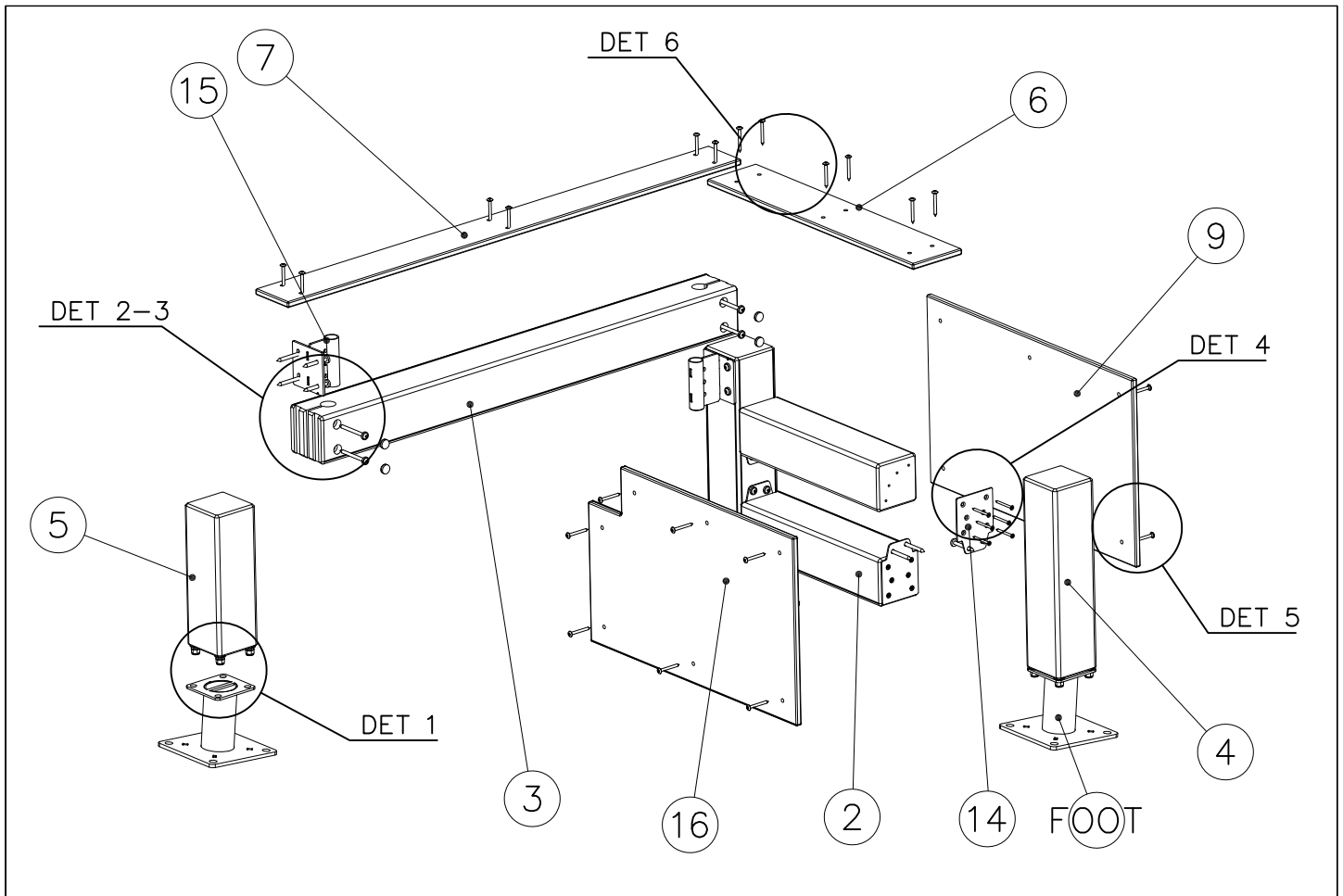
⑰	980100	PCS	⑱	980114	PCS	⑲	980123	PCS
		28			4			25
								
Ø5x60			Ø4x20			Ø7x60		

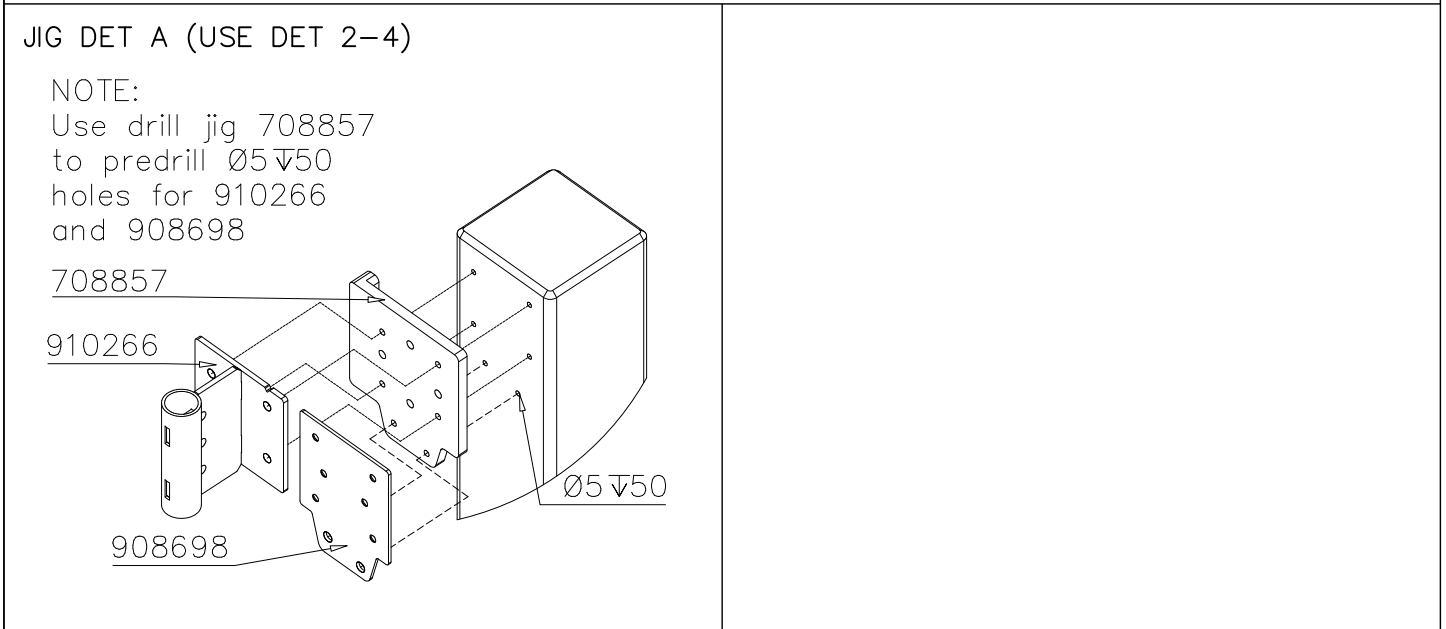
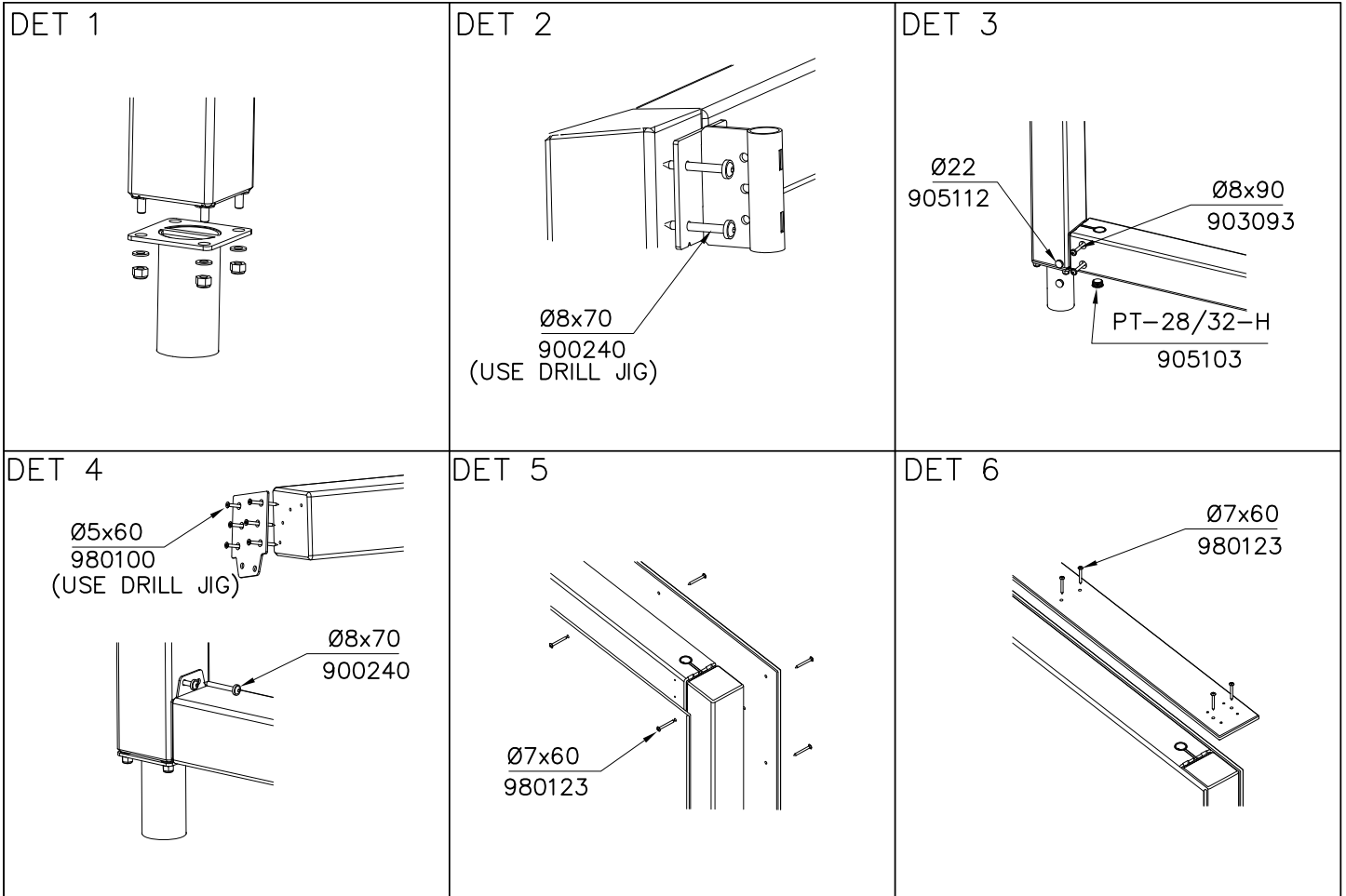
FOOT OPTIONS

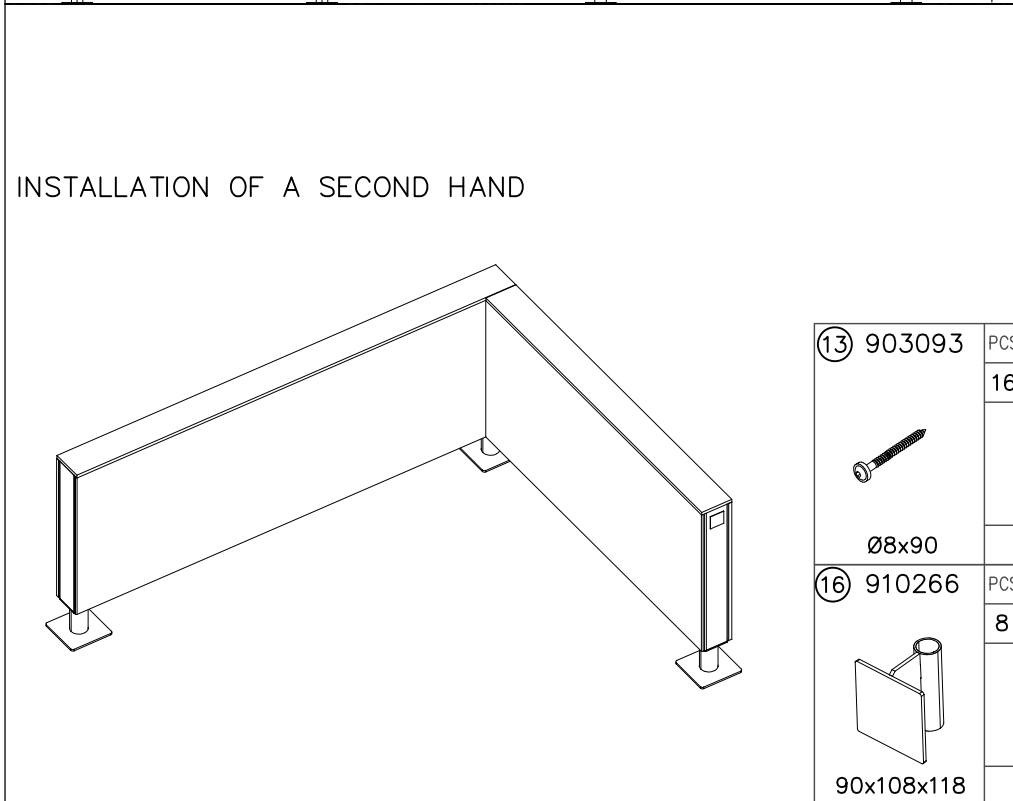
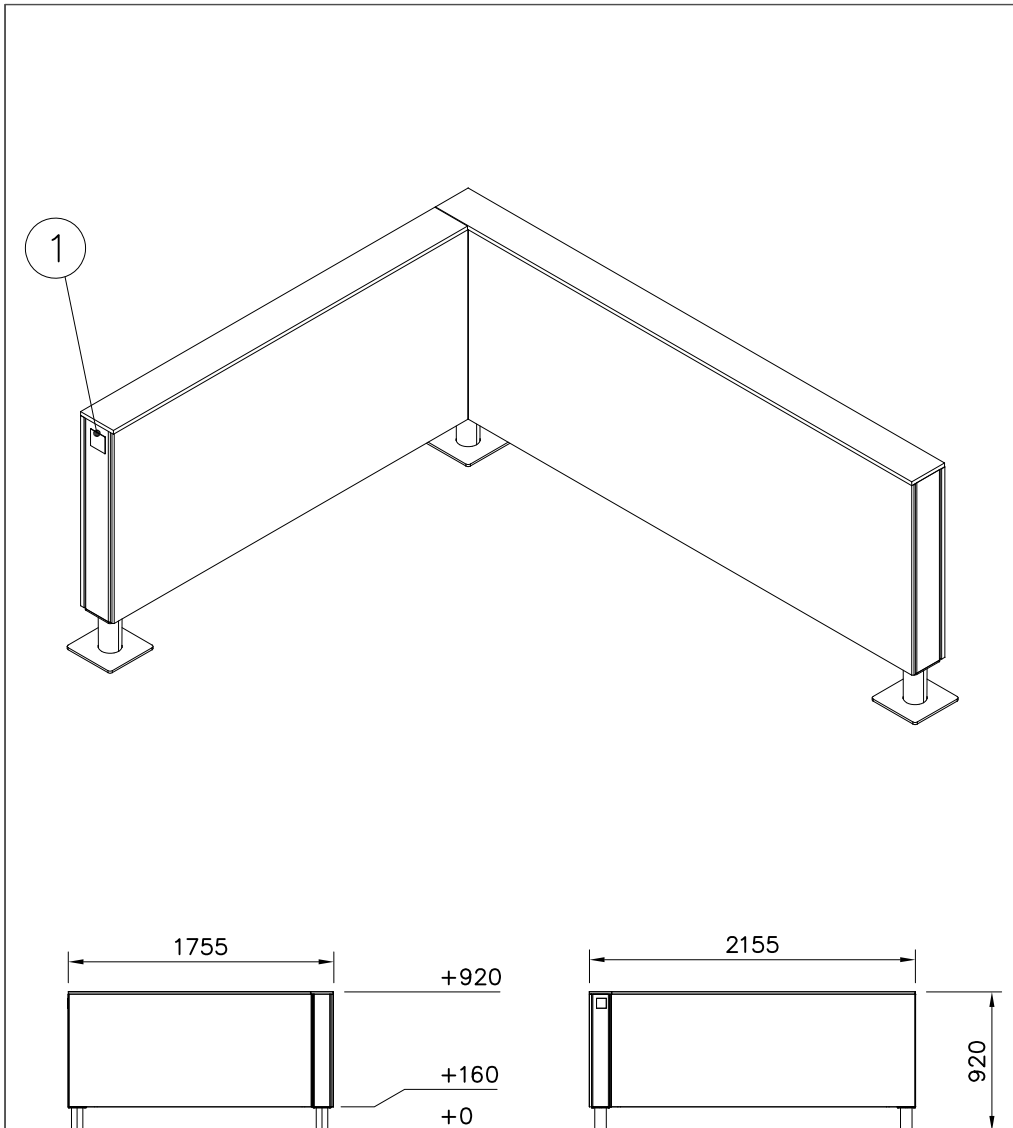
709261+		709262+	
○ 910267	PCS	○ 910567	PCS
SURFACE	3	CONCRETE	3
			
152x200x200		117x117x715	



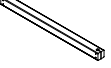
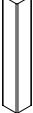

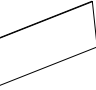

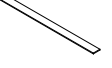
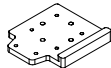
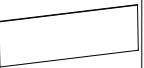



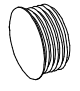
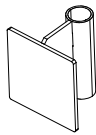

----- Falling Space 13.8 m2
Max Falling Height 650 mm



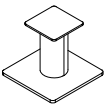





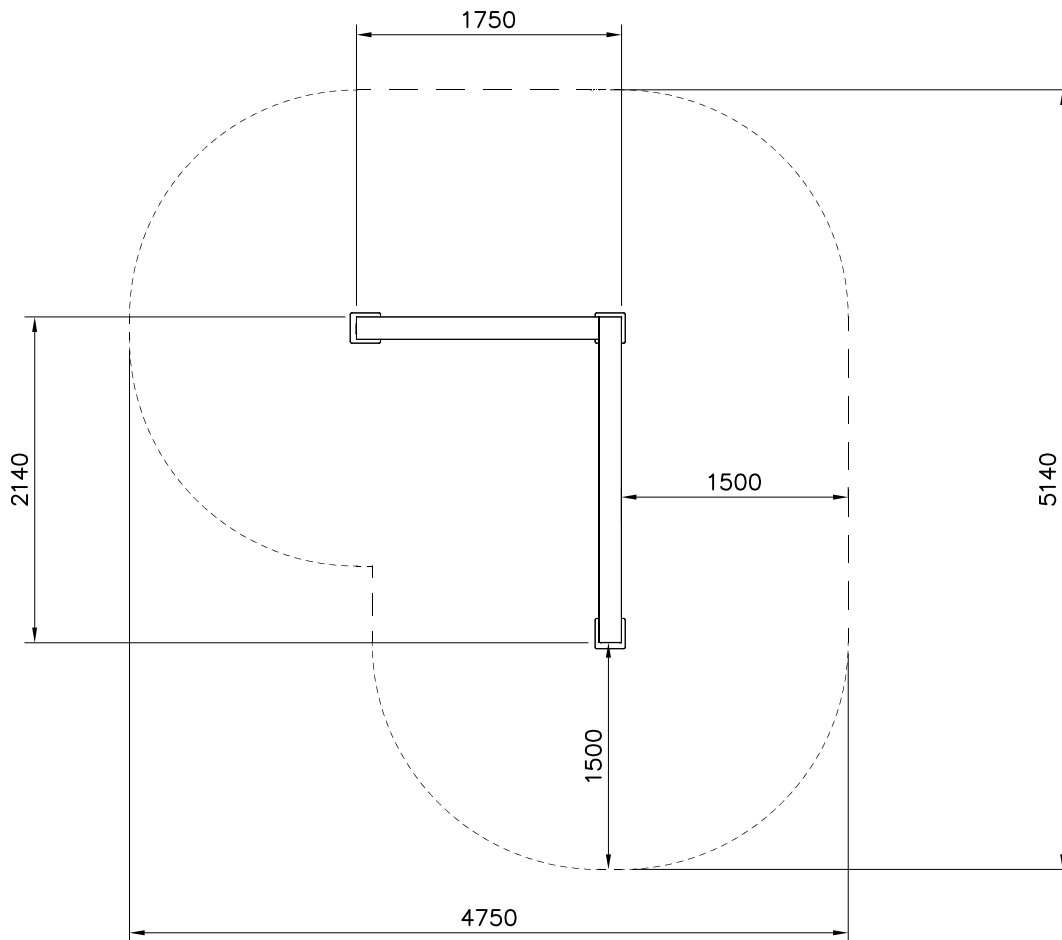
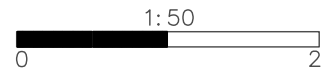


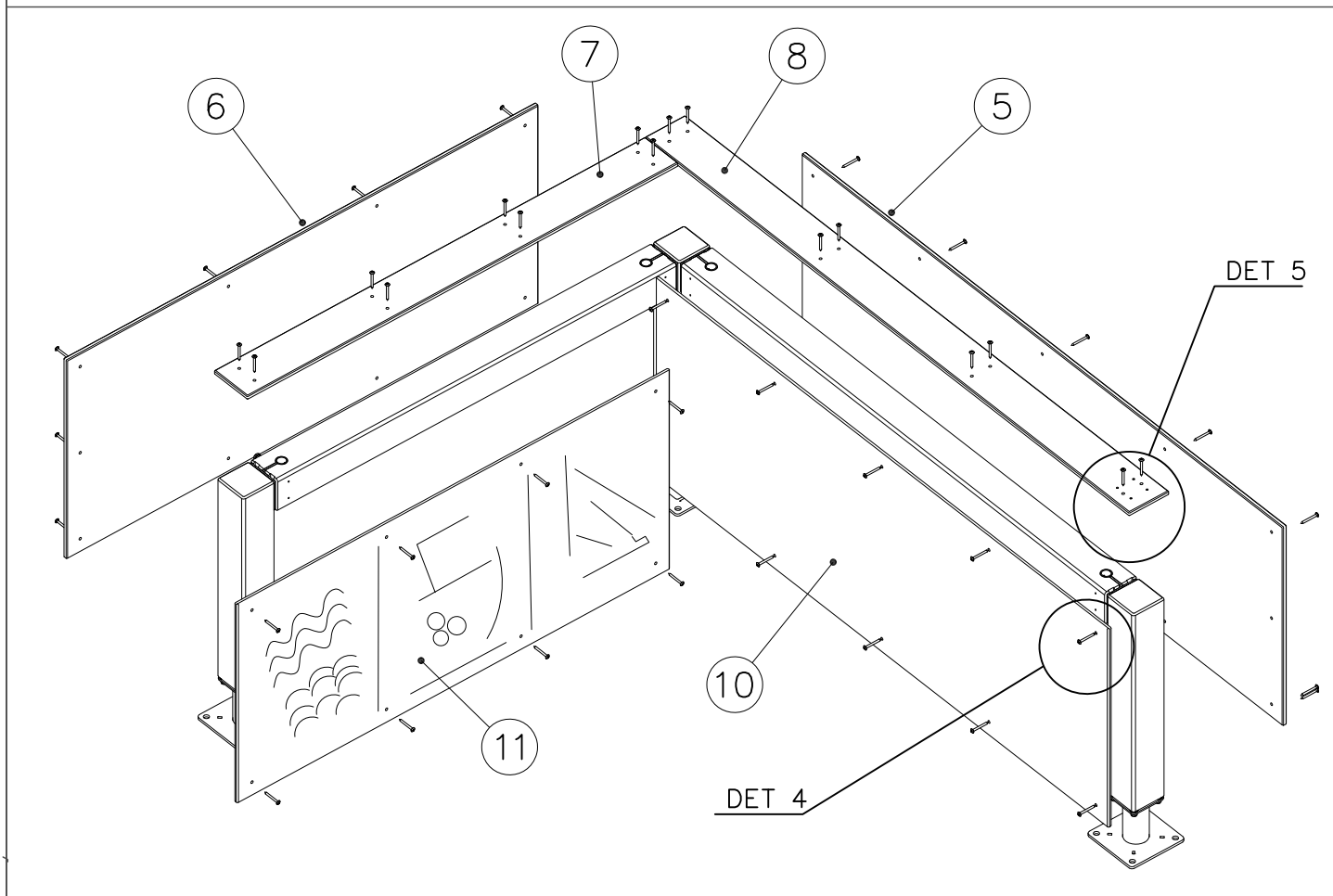
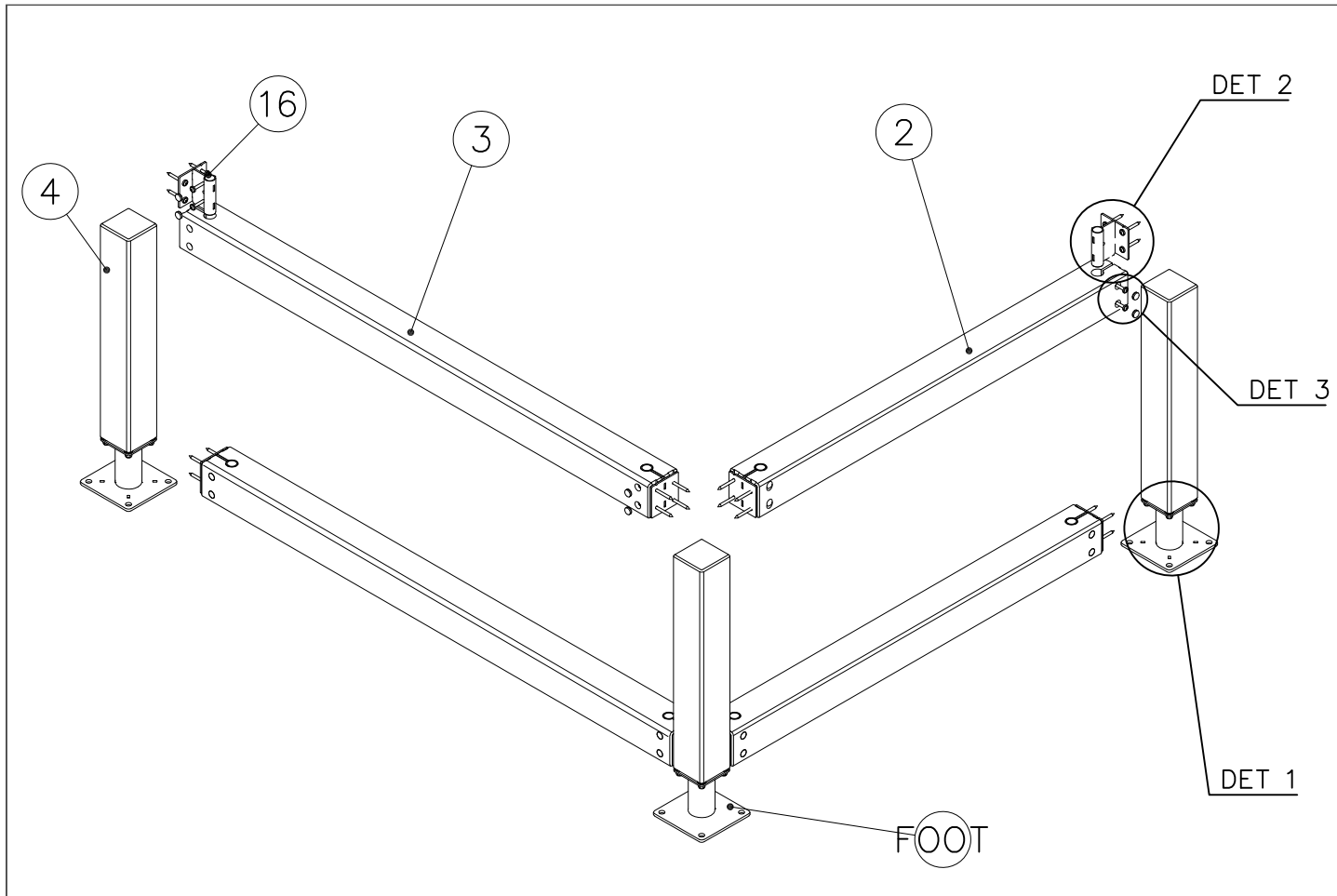
① 702286	PCS	② 707213	PCS
	1		2
65x65		118x118x1490	
③ 707517	PCS	④ 708137	PCS
	2		3
118x118x1892		118x118x745	
⑤ 708715	PCS	⑥ 708716	PCS
	1		1
15x745x2140		15x745x1753	
⑦ 708737	PCS	⑧ 708738	PCS
	1		1
15x148x1601		15x148x2153	
⑨ 708857 JIG	PCS	⑩ 911309 COLOR	PCS
	1		1
20x133x149		12x745x2015	
⑪ 911311 MURAL	PCS	⑫ 900240	PCS
	1		32
12x745x1610		Ø8x70	
⑬ 903093	PCS	⑭ 905103	PCS
	16		8
Ø8x90		PT-28/32-H	
			⑮ 905112
			PCS
			16
			Ø22
⑯ 910266	PCS	⑰ 980123	PCS
	8		56
90x108x118		Ø7x60	
			⑱ 980114
			PCS
			4
			Ø4x20

FOOT OPTIONS

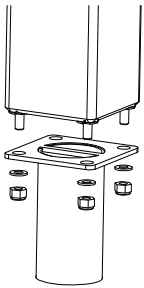
709261+		709262+	
○ 910330	PCS	○ 910567	PCS
SURFACE	3	CONCRETE	3
			
152x200x200		117x117x715	

----- Falling Space 18.8 m2
Max Falling Height 920 mm

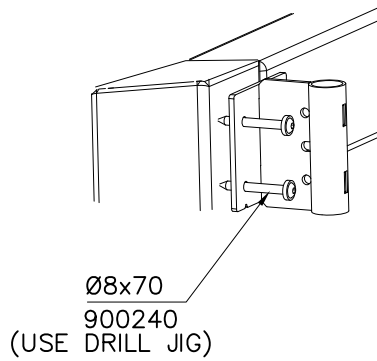




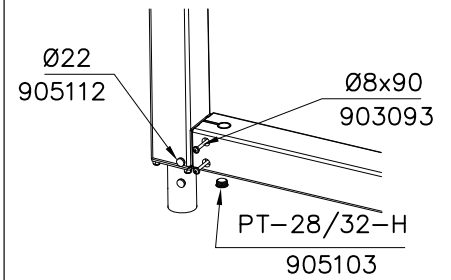
DET 1



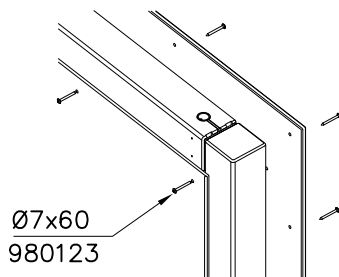
DET 2



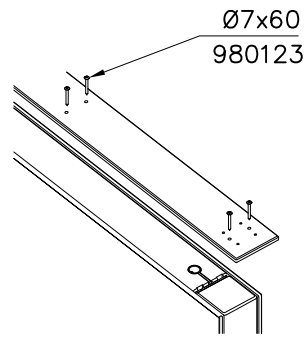
DET 3



DET 4

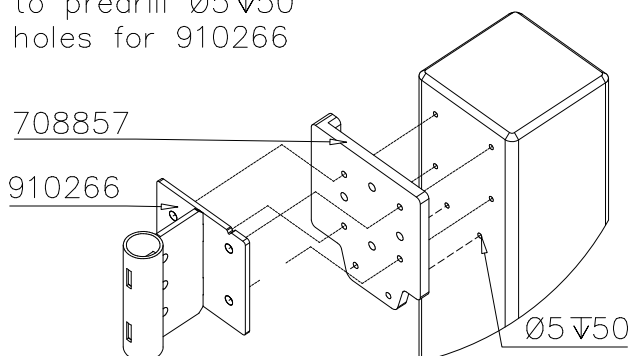


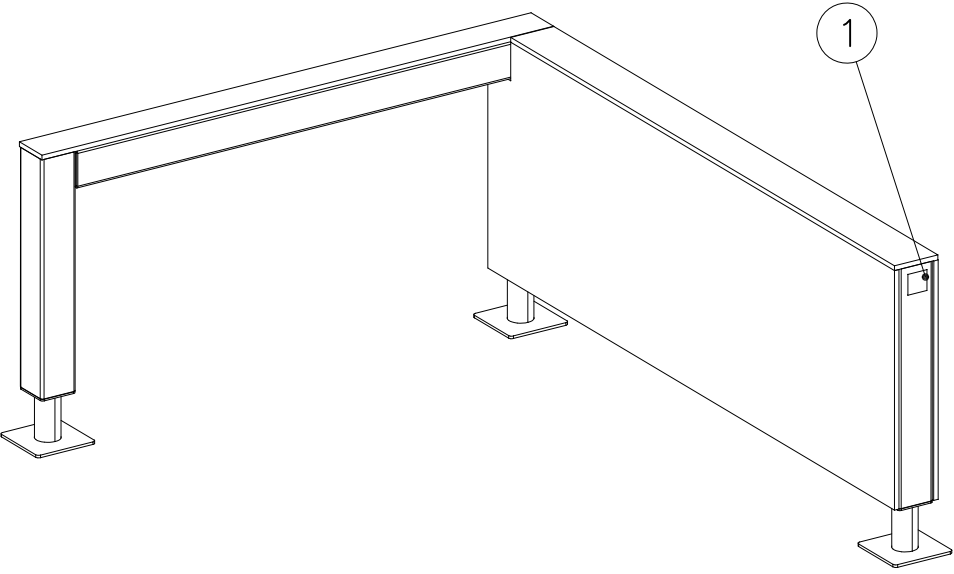
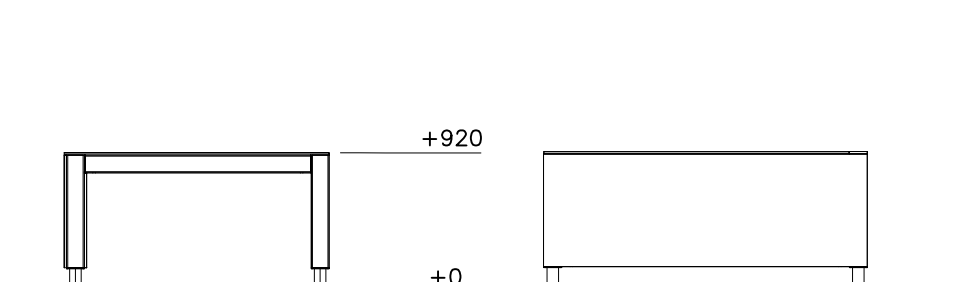
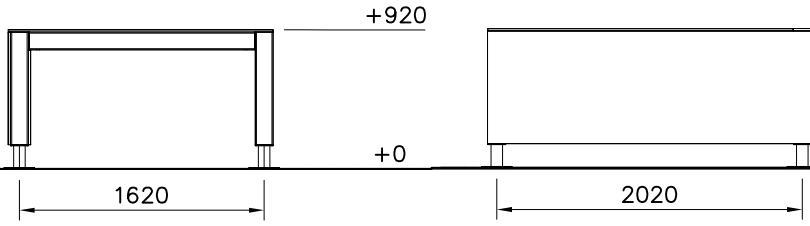
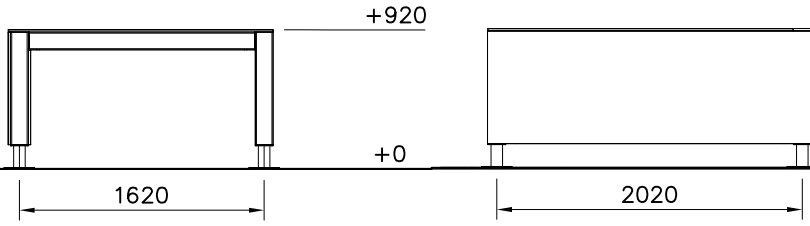
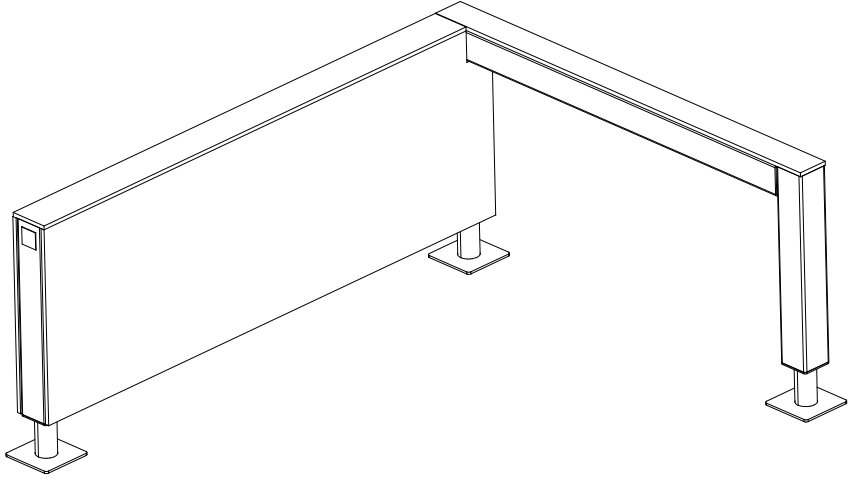
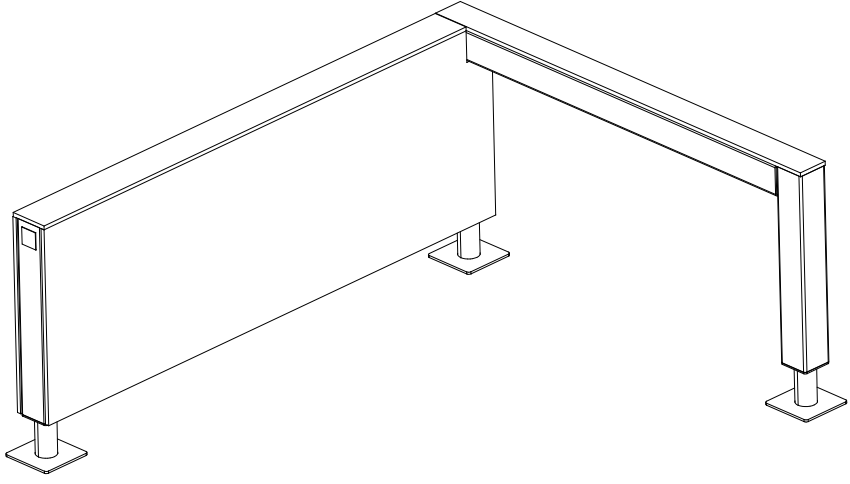
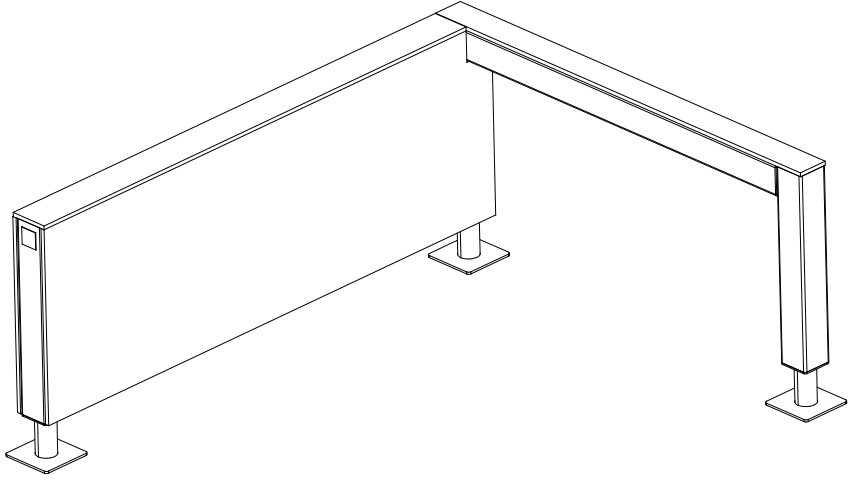
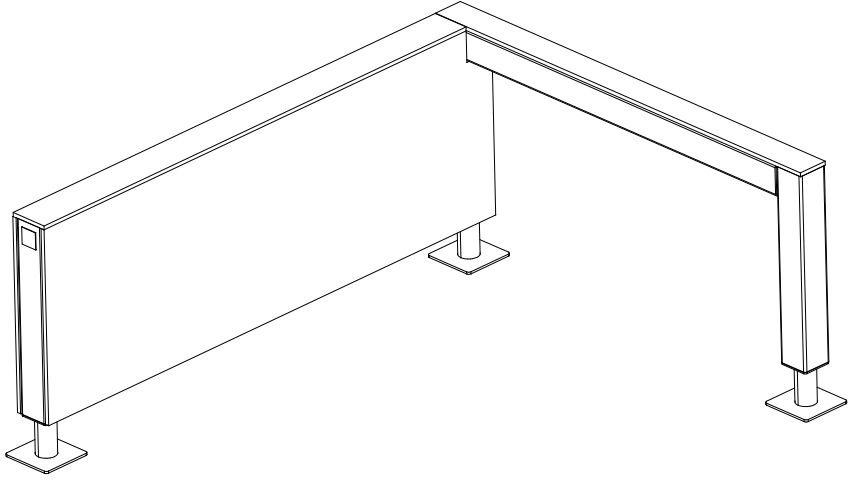
DET 5



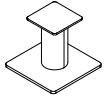

JIG DET A (USE DET 2)

NOTE:
Use drill jig 708857
to predrill $\text{Ø}5\sqrt{50}$
holes for 910266

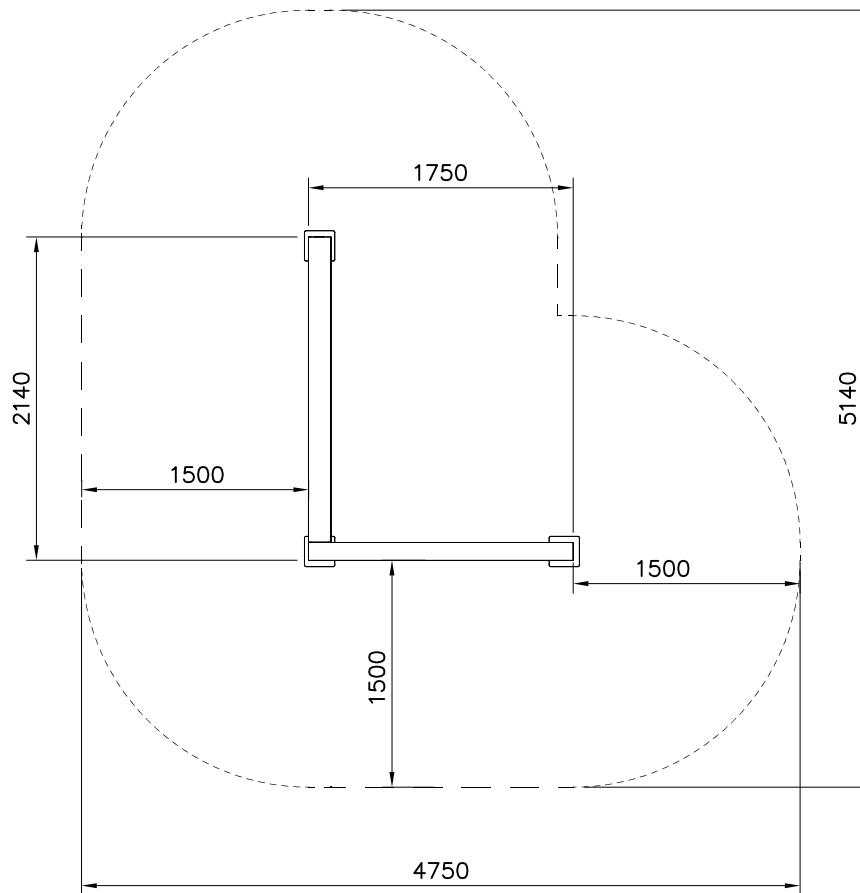
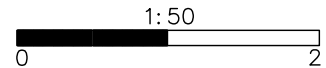


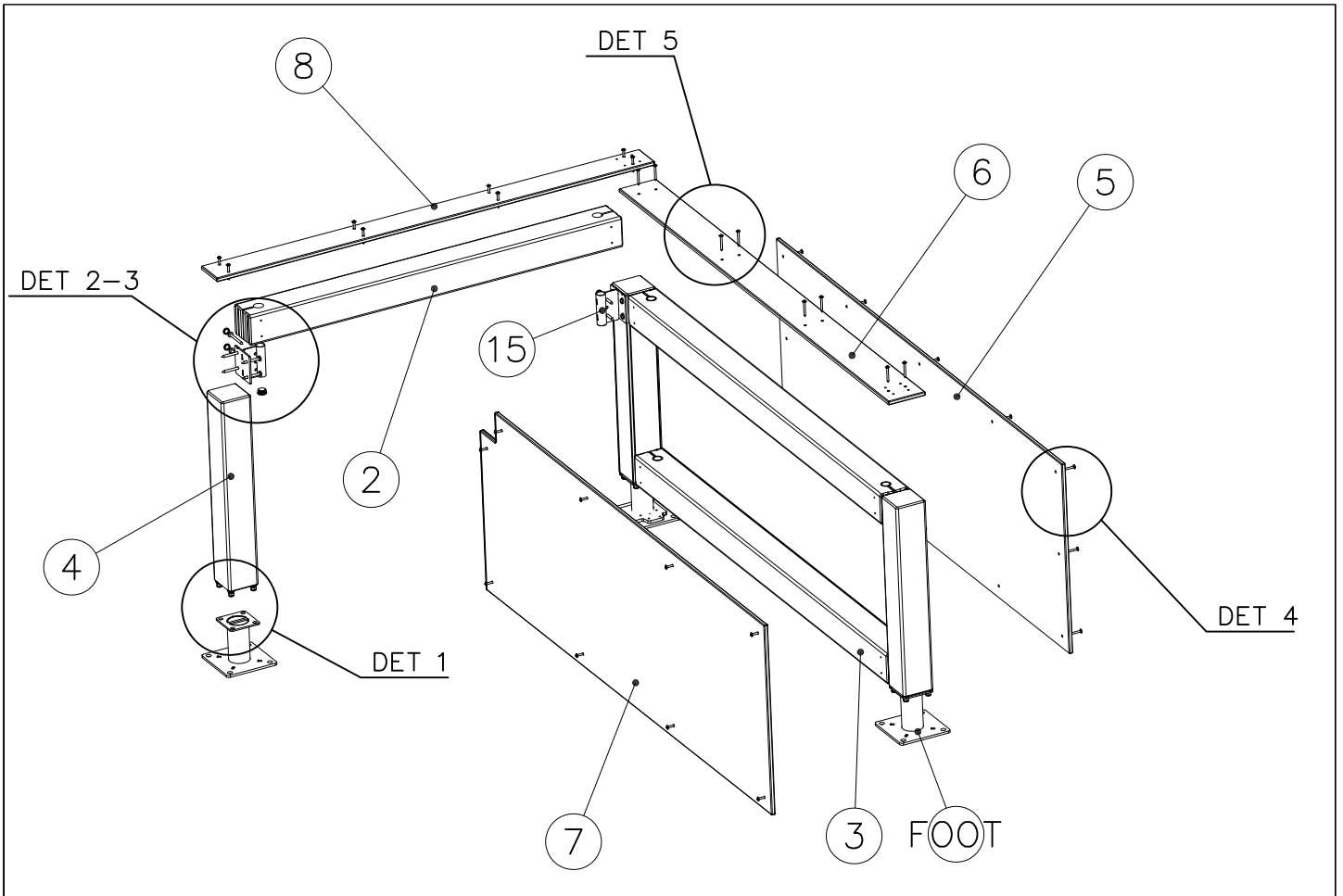
	<p>① 702286 PCS 1 65x65</p>	<p>② 707213 PCS 1 118x118x1490</p>
	<p>③ 707517 PCS 2 118x118x1892</p>	<p>④ 708137 PCS 3 118x118x745</p>
	<p>⑤ 708715 PCS 1 15x745x2140</p>	<p>⑥ 708840 PCS 1 15x148x2018</p>
	<p>⑦ 708845 PCS 1 15x745x2138</p>	<p>⑧ 708846 PCS 1 15x118x1751</p>
<p>INSTALLATION OF A SECOND HAND</p> 	<p>⑨ 708857 JIG PCS 1 20x133x149</p>	<p>⑩ 980123 PCS 37 Ø7x60</p>
<p>INSTALLATION OF A SECOND HAND</p> 	<p>⑪ 900240 PCS 24 Ø8x70</p>	<p>⑫ 903093 PCS 12 Ø8x90</p>
<p>INSTALLATION OF A SECOND HAND</p> 	<p>⑬ 905103 PCS 6 PT-28/32-H</p>	<p>⑭ 905112 PCS 12 Ø22</p>
<p>INSTALLATION OF A SECOND HAND</p> 	<p>⑮ 910266 PCS 6 90x108x118</p>	<p>⑯ 980114 PCS 4 Ø4x20</p>

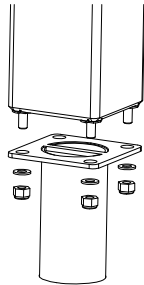
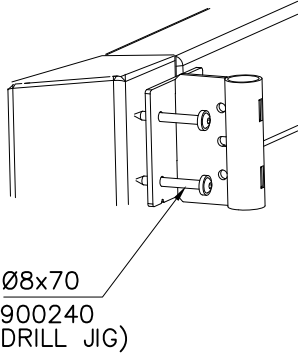
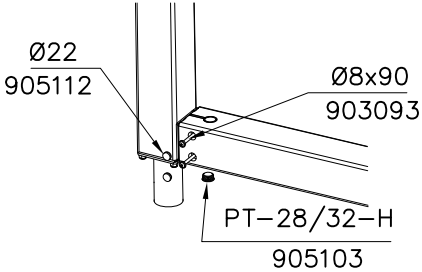
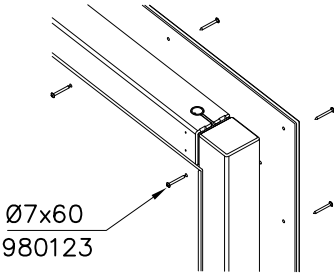
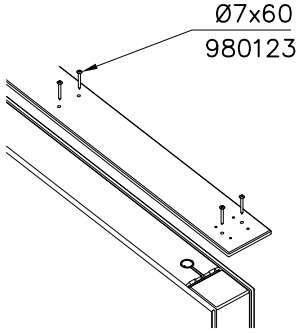
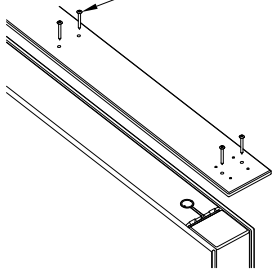
FOOT OPTIONS

709261+		709262+	
○ 910330	PCS	○ 910567	PCS
SURFACE	3	CONCRETE	3
			
152x200x200		117x117x715	

----- Falling Space 18.8 m²
 Max Falling Height 920 mm

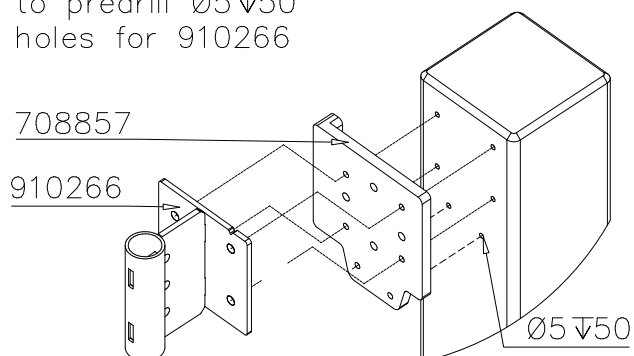


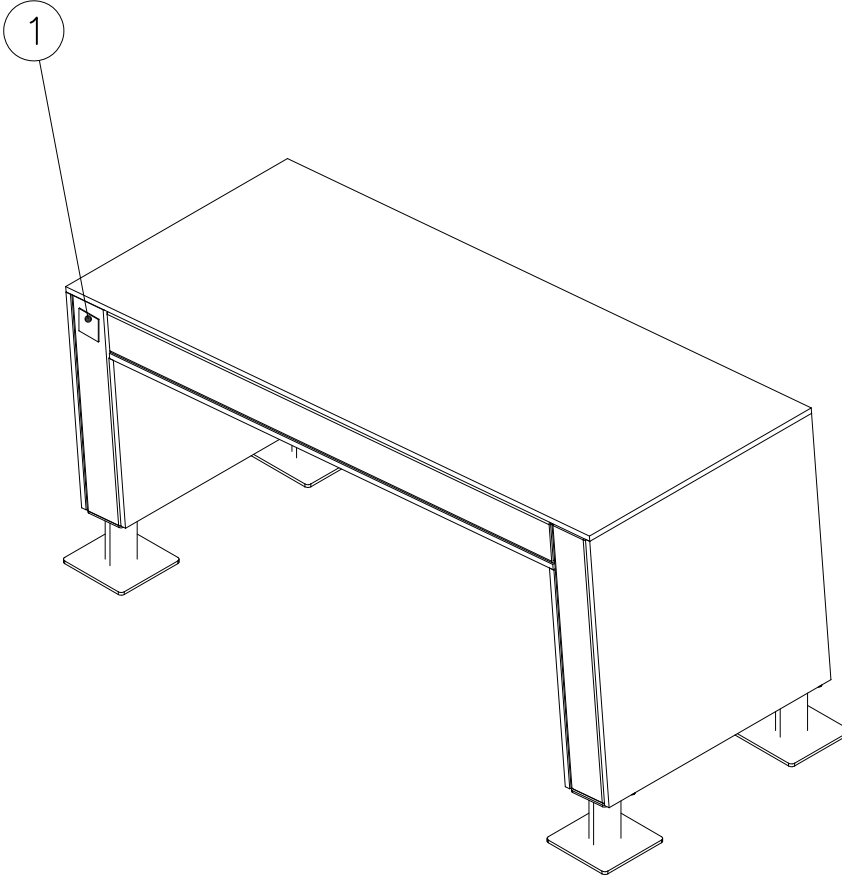
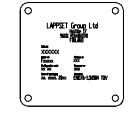
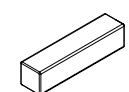




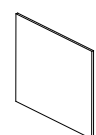
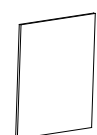
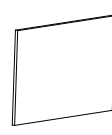
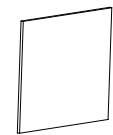
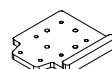

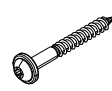

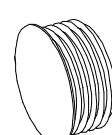

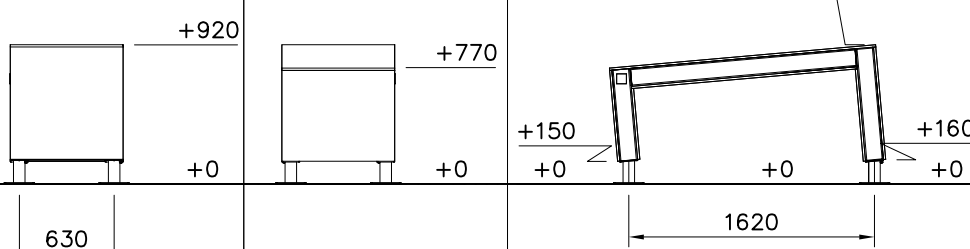


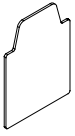
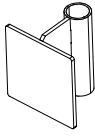

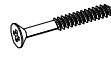

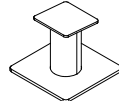

<p>DET 1</p> 	<p>DET 2</p> 	<p>DET 3</p> 
<p>DET 4</p> 	<p>DET 5</p> 	<p>DET 6</p> 

JIG DET A (USE DET 2-3)

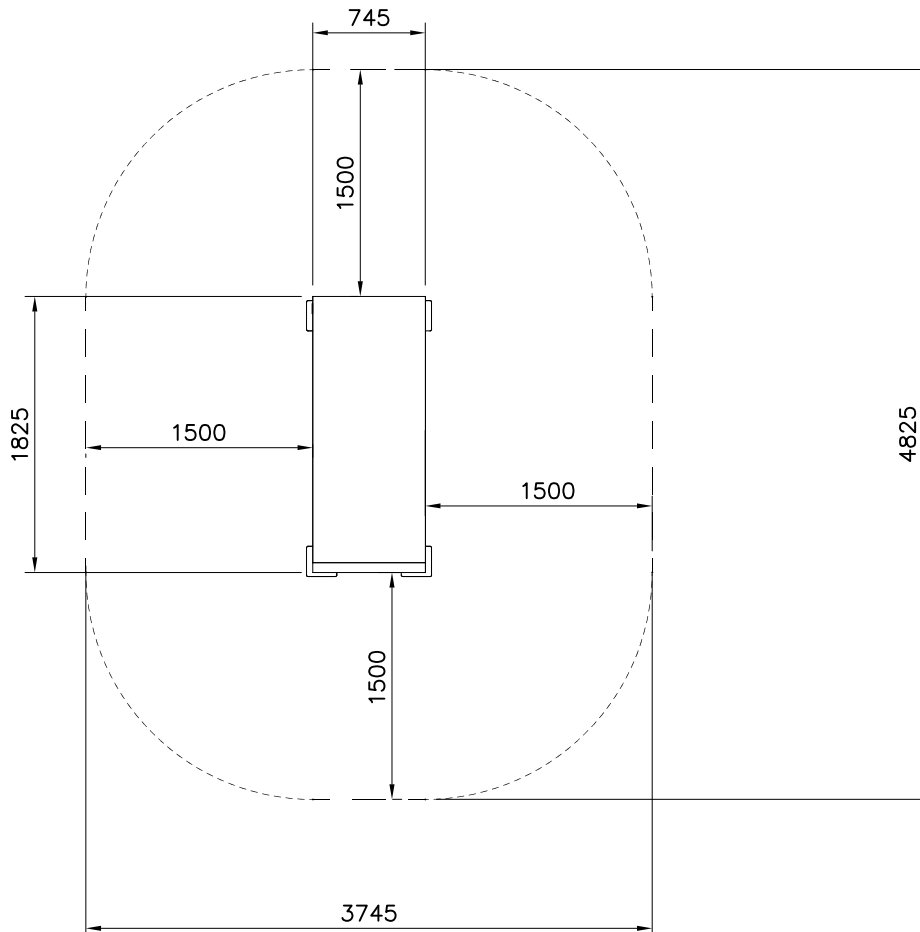
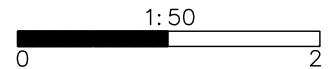
NOTE:
Use drill jig 708857
to predrill Ø5▽50
holes for 910266



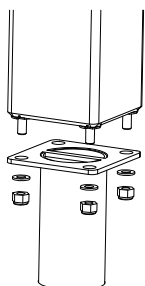
	 65x65	PCS 1	 118x118x503	PCS 4
	 118x118x1490	PCS 2	 118x118x603	PCS 2
	 118x118x745	PCS 2	 15x745x1766	PCS 1
	 15x603x745	PCS 1	 15x745x745	PCS 1
	 15x745x470	PCS 1	 15x745x612	PCS 1
	 20x133x149	PCS 1	 15x745x1495	PCS 1
	 Ø8x70	PCS 32	 Ø8x90	PCS 8
	 PT-28/32-H	PCS 8	 Ø22	PCS 8
				

⑰ 908698	PCS	⑱ 910266	PCS	⑲ 980114	PCS	⑳ 980100	PCS	㉑ 980123	PCS		PCS		PCS
	8		4		4		48		38				
3x114x108		90x108x118		Ø4x20		Ø5x60		Ø7x60					
	PCS		PCS		PCS					FOOT OPTIONS 709261+ 709262+			
										○ 910267	PCS	○ 910567	PCS
										SURFACE	4	CONCRETE	4
													
										152x200x200		117x117x715	

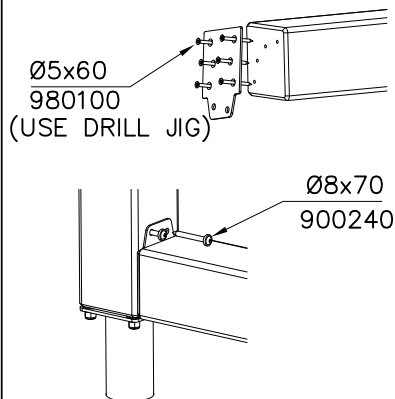
----- Falling Space 16.1 m²
 Max Falling Height 920 mm



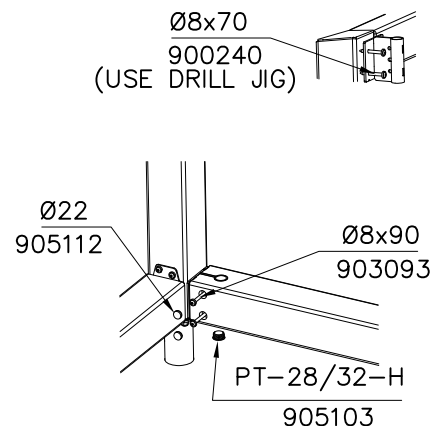
DET 1



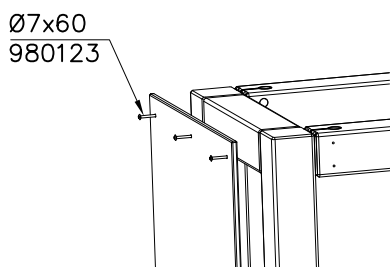
DET 2



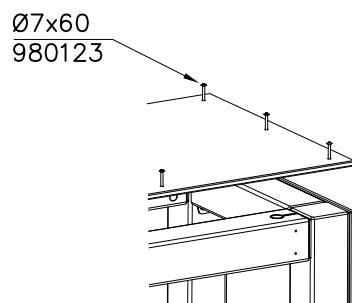
DET 3



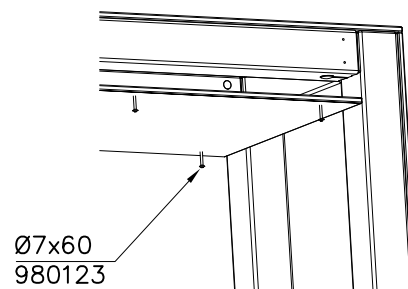
DET 4



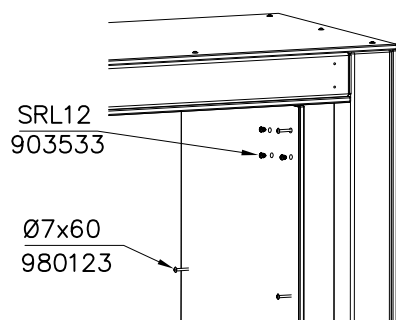
DET 5

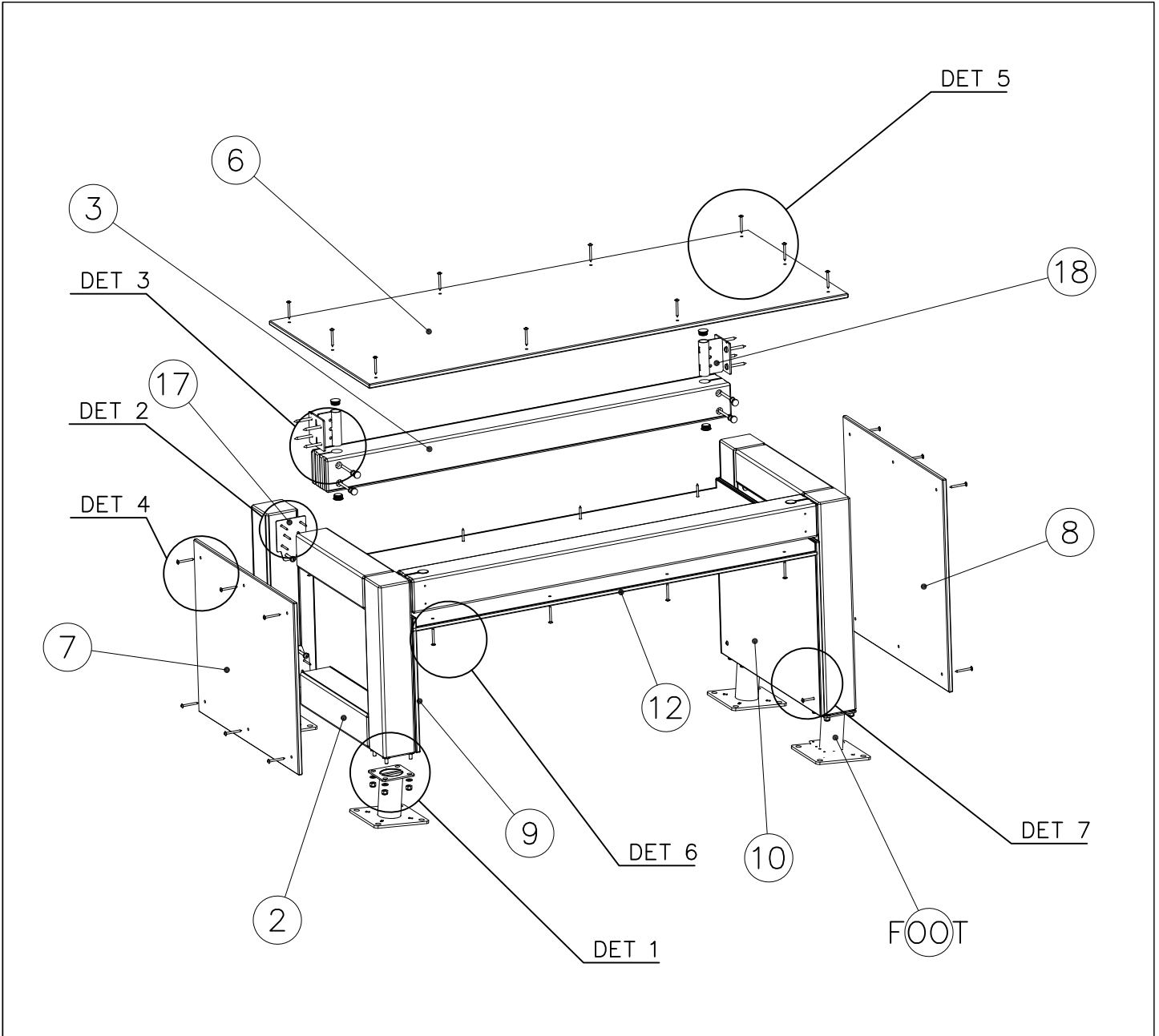


DET 6



DET 7





JIG DET A (USE DET 2-3)

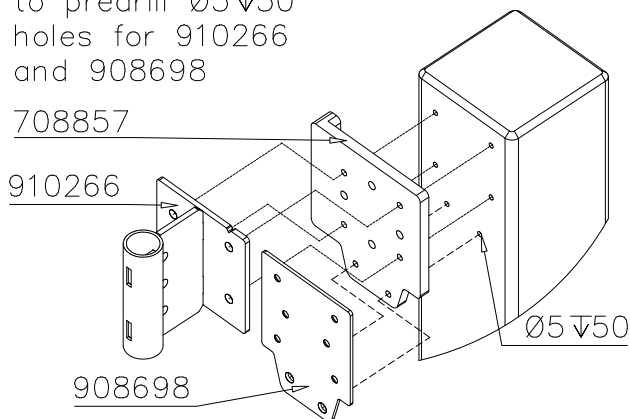
NOTE:

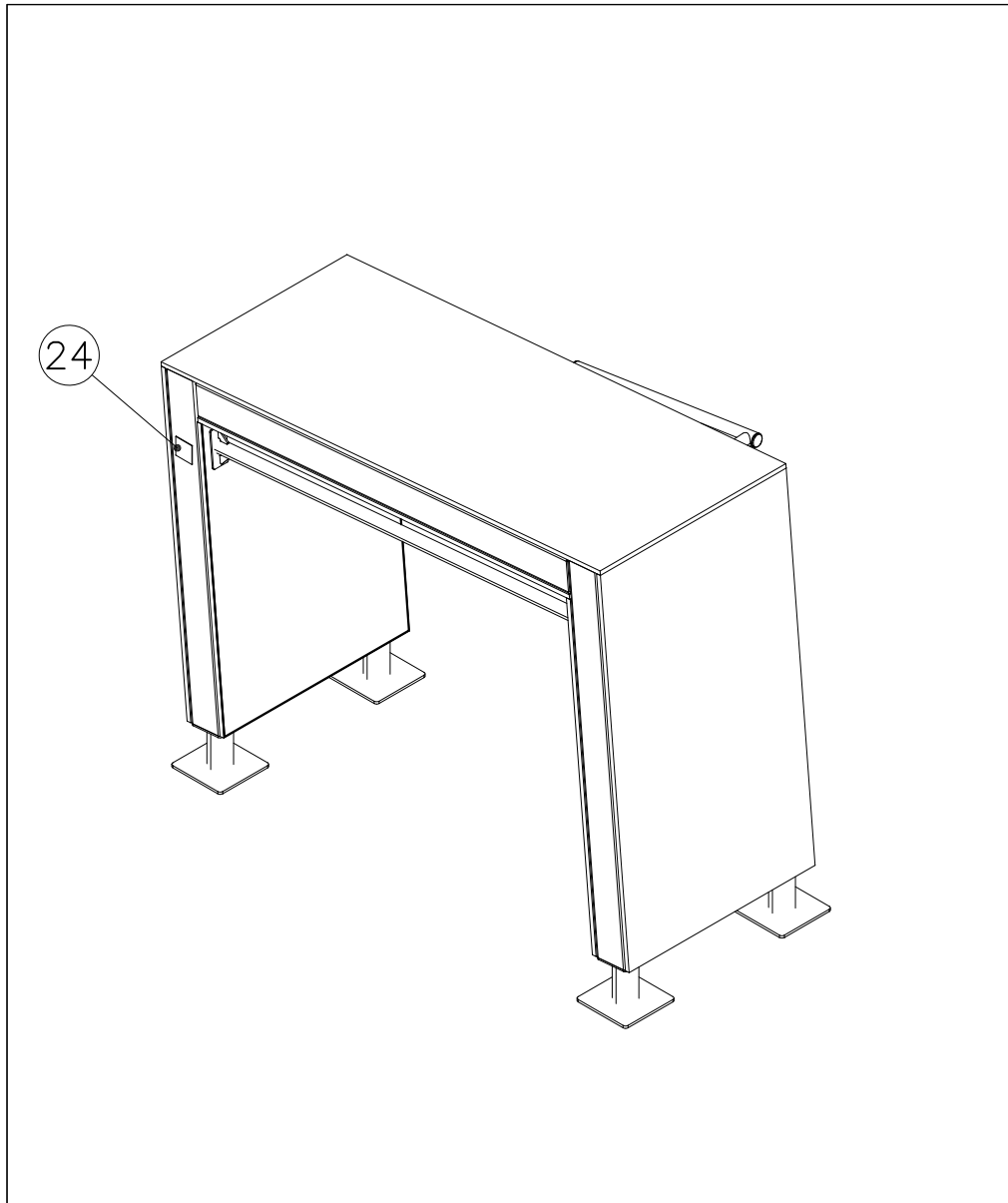
Use drill jig 708857 to predrill $\text{Ø}5 \nabla 50$ holes for 910266 and 908698

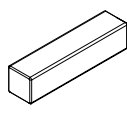



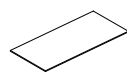
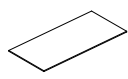
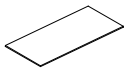
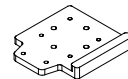
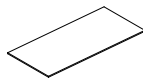
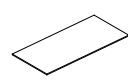
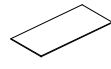



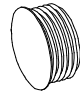

708857

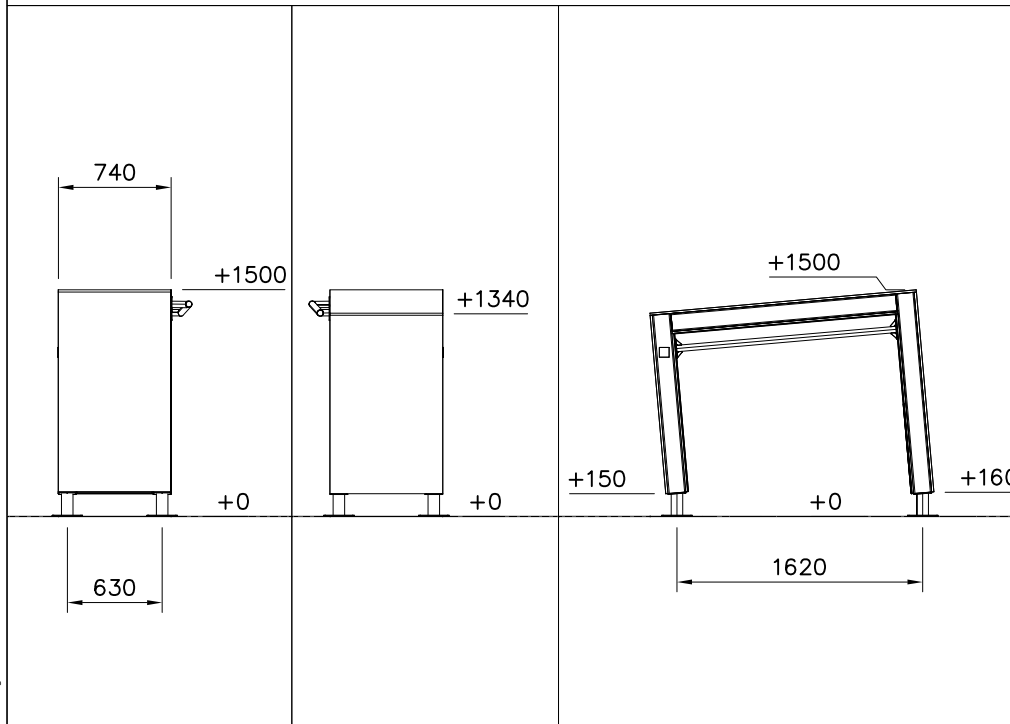
910266

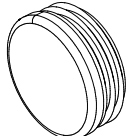
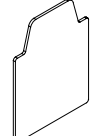
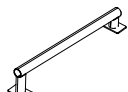
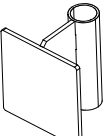

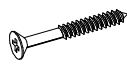
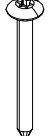
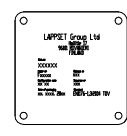

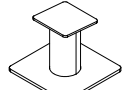

908698



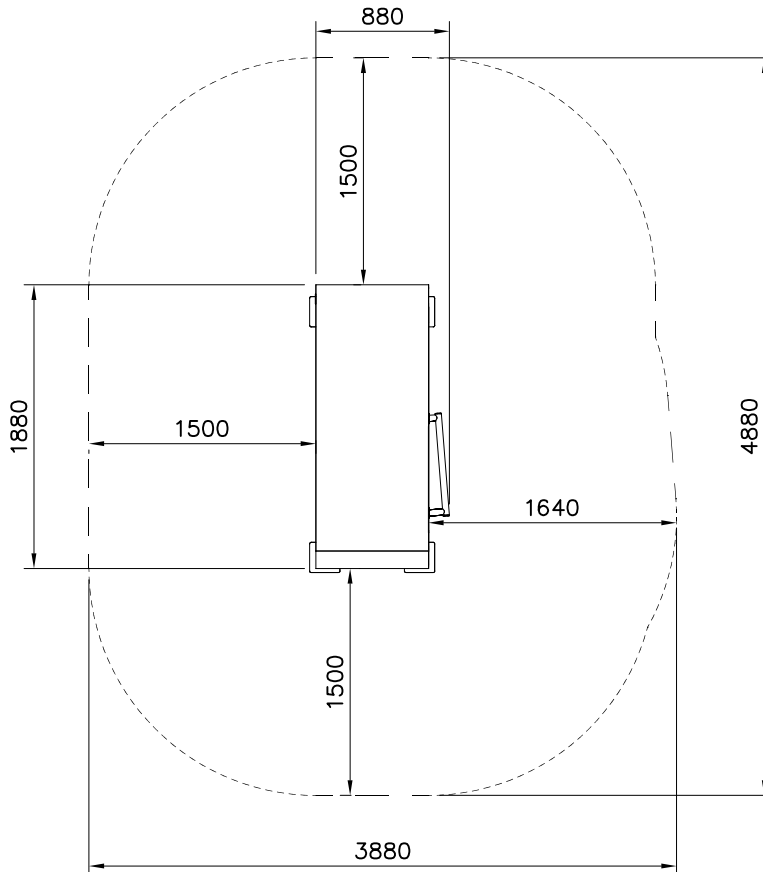
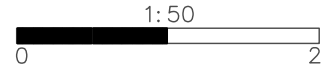


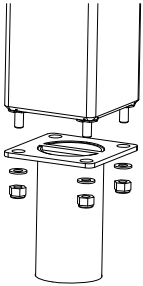
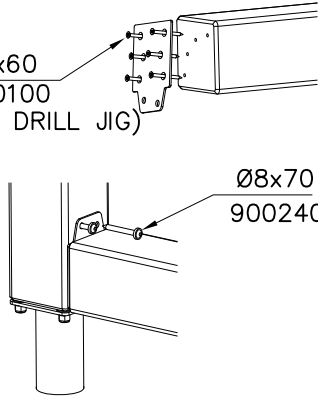
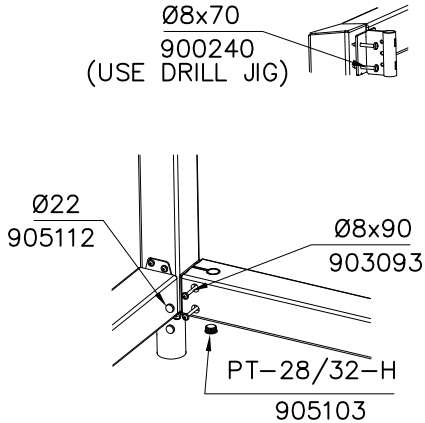
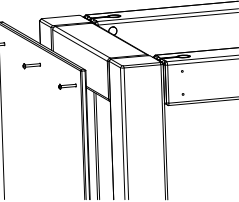
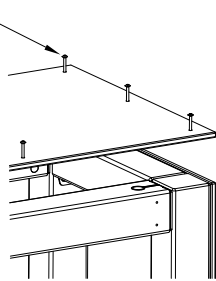
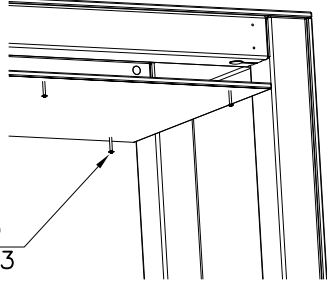
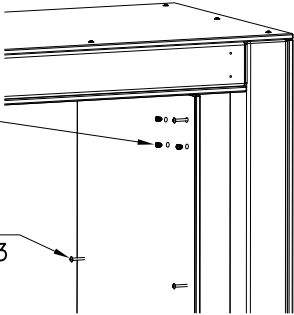
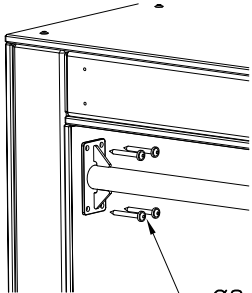
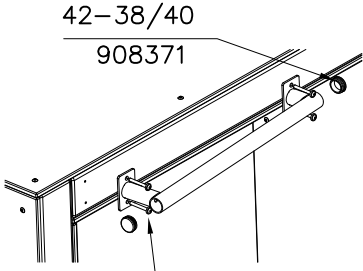
① 707210	PCS 4	② 707213	PCS 2
			
118x118x503		118x118x1490	
③ 708042	PCS 2	④ 708125	PCS 2
			
118x118x1185		118x118x1326	
⑤ 708721	PCS 1	⑥ 708723	PCS 1
			
15x745x1766		15x745x1185	
⑦ 708724	PCS 1	⑧ 708857	PCS 1
		JIG 	
15x745x1326		20x133x149	
⑨ 911103	PCS 1	⑩ 911305	PCS 1
COLOR 		COLOR 	
15x745x1495		15x745x1192	
⑪ 911307	PCS 1	⑫ 900240	PCS 44
COLOR 			
15x745x1050		Ø8x70	
⑬ 903093	PCS 8	⑭ 903533	PCS 6
			
Ø8x90		SRL12	
⑮ 905103	PCS 8	⑯ 905112	PCS 8
			
PT-28/32-H		Ø22	

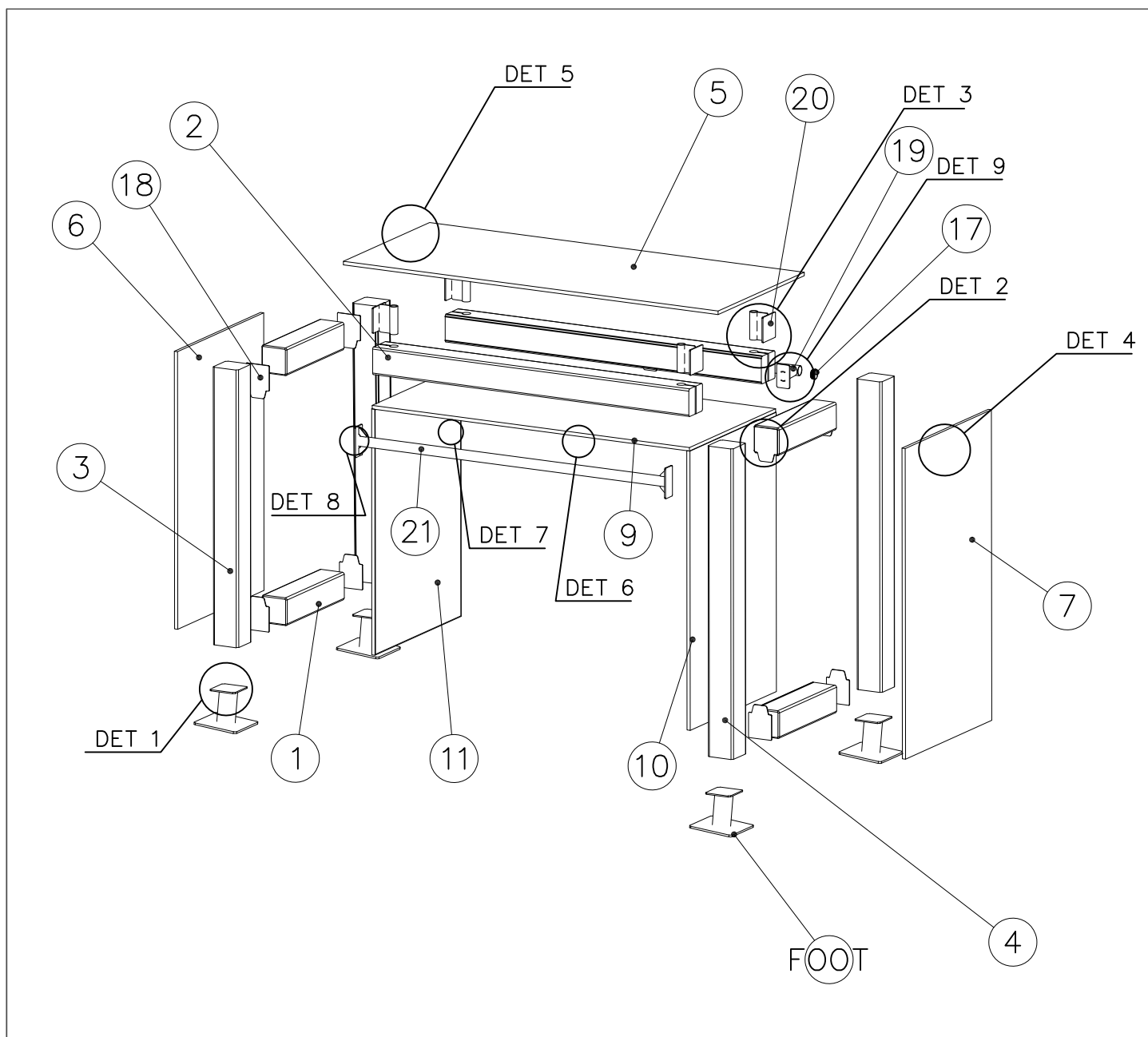


⑰ 908371  42-38/40 PCS 2	⑱ 908698  3x114x108 PCS 8	⑲ 910056  140x690 PCS 1	⑳ 910266  90x108x118 PCS 4	㉑ 910328  L 1466 PCS 1	㉒ 980100  Ø5x60 PCS 48			PCS		
㉓ 980123  Ø7x60 PCS 50	㉔ 702286  65x65 PCS 1	㉕ 980114  Ø4x20 PCS 4	FOOT OPTIONS							PCS
			709261+		709262+					
			○ 910267 SURFACE  152x200x200 PCS 4	○ 910567 CONCRETE  117x117x715 PCS 4						PCS

----- Falling Space 16.5 m²
 Max Falling Height 1500 mm

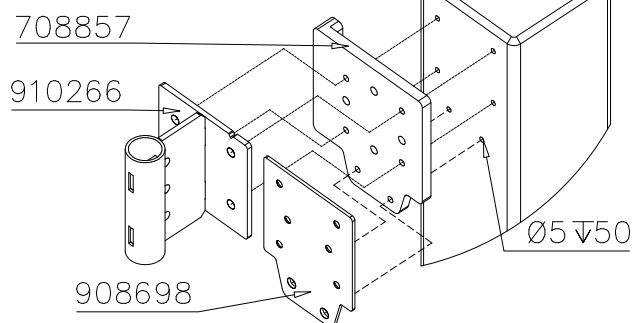


<p>DET 1</p> 	<p>DET 2</p>  <p>Ø5x60 980100 (USE DRILL JIG)</p> <p>Ø8x70 900240</p>	<p>DET 3</p>  <p>Ø8x70 900240 (USE DRILL JIG)</p> <p>Ø22 905112</p> <p>Ø8x90 903093</p> <p>PT-28/32-H 905103</p>
<p>DET 4</p>  <p>Ø7x60 980123</p>	<p>DET 5</p>  <p>Ø7x60 980123</p>	<p>DET 6</p>  <p>Ø7x60 980123</p>
<p>DET 7</p>  <p>SRL12 903533</p> <p>Ø7x60 980123</p>	<p>DET 8</p>  <p>Ø8x70 900240</p>	
<p>DET 9 DRILL PREHOLES BEFORE INSTALLING HANDLES</p>  <p>42-38/40 908371</p> <p>Ø8x70 900240</p>		

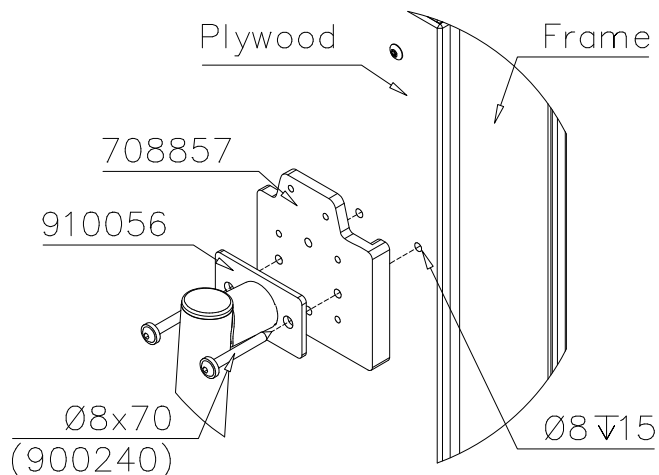


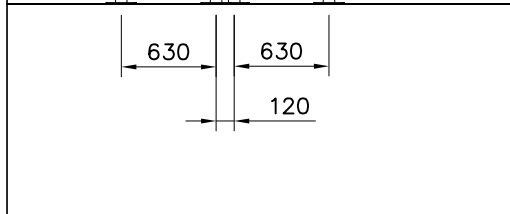
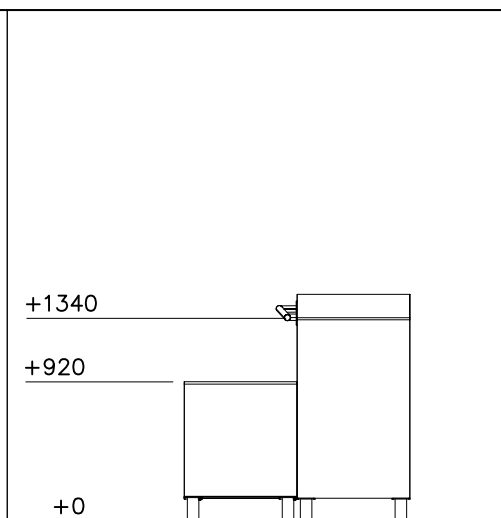
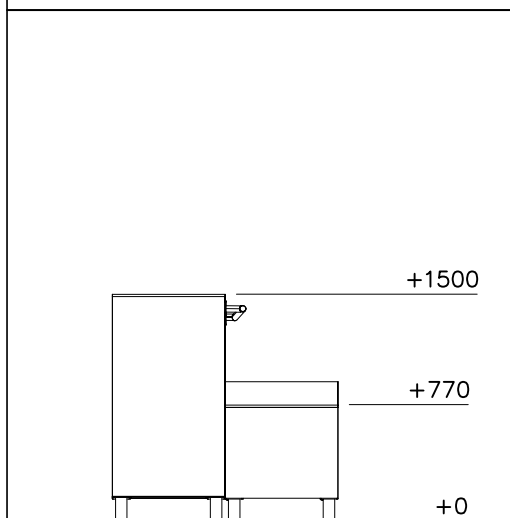
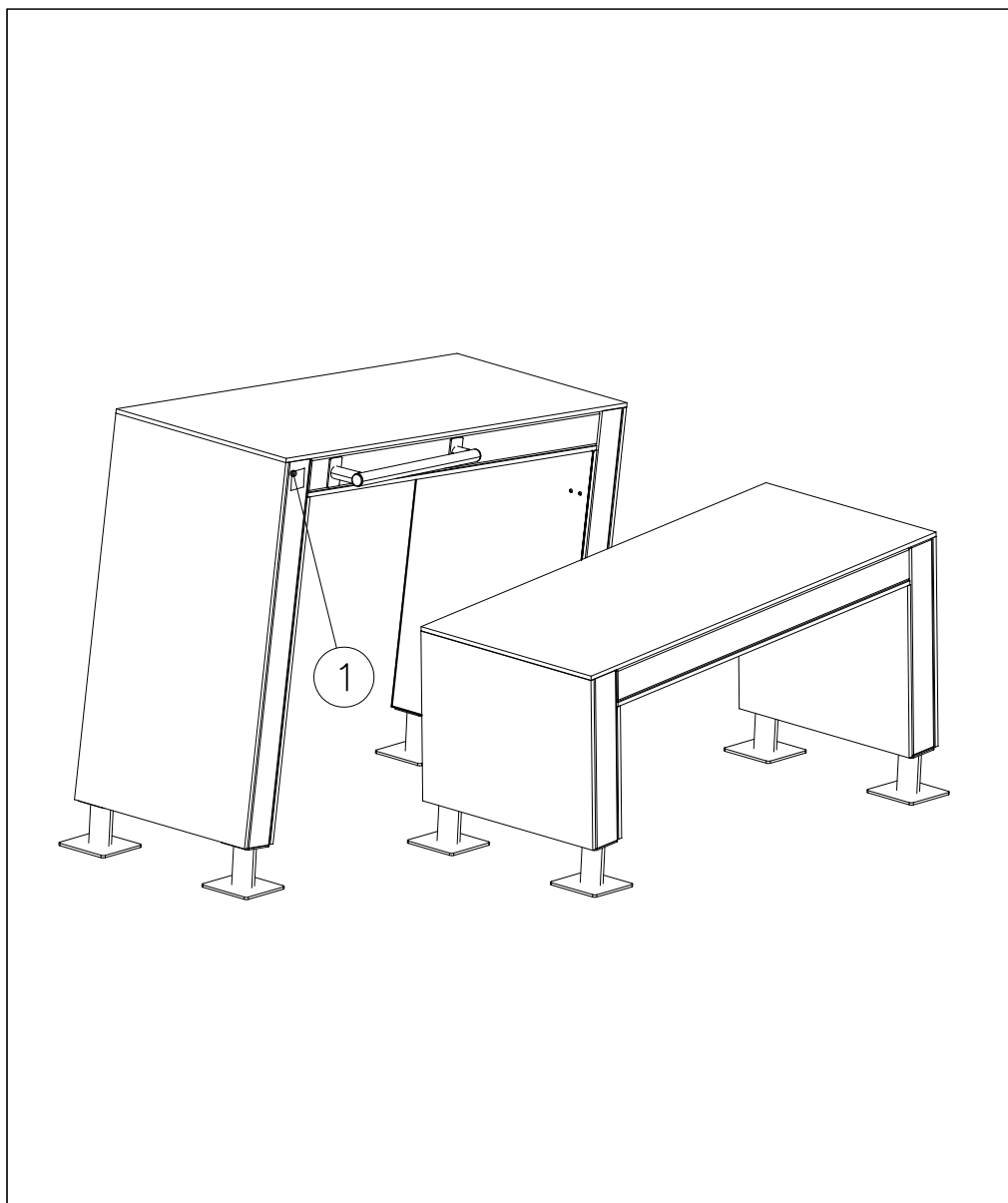
JIG DET A (USE DET 2-3)


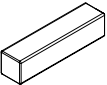





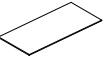
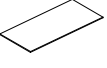
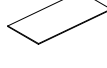
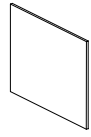

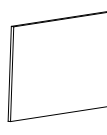

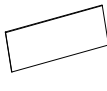
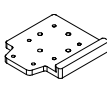
NOTE:
Use drill jig 708857
to predrill $\text{Ø}5 \nabla 50$
holes for 910266
and 908698

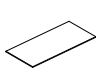
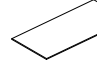
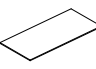


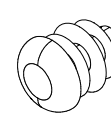

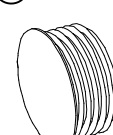

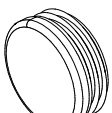



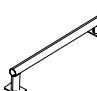
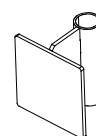


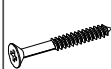

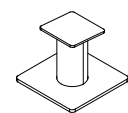

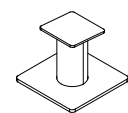

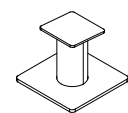



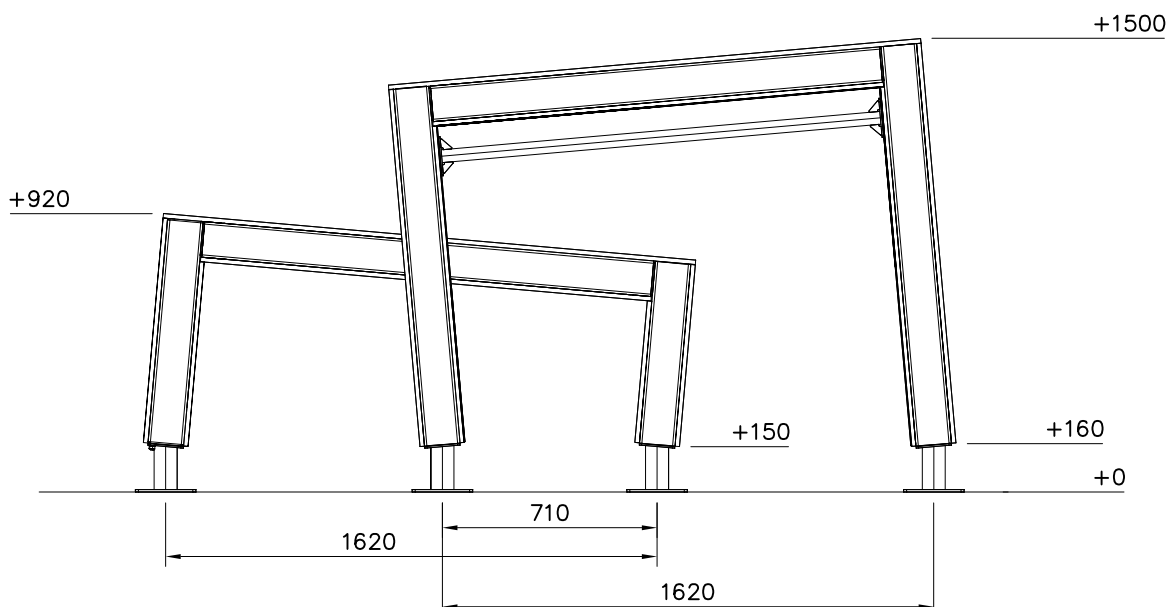
JIG DET B (USE DET 9, 10)



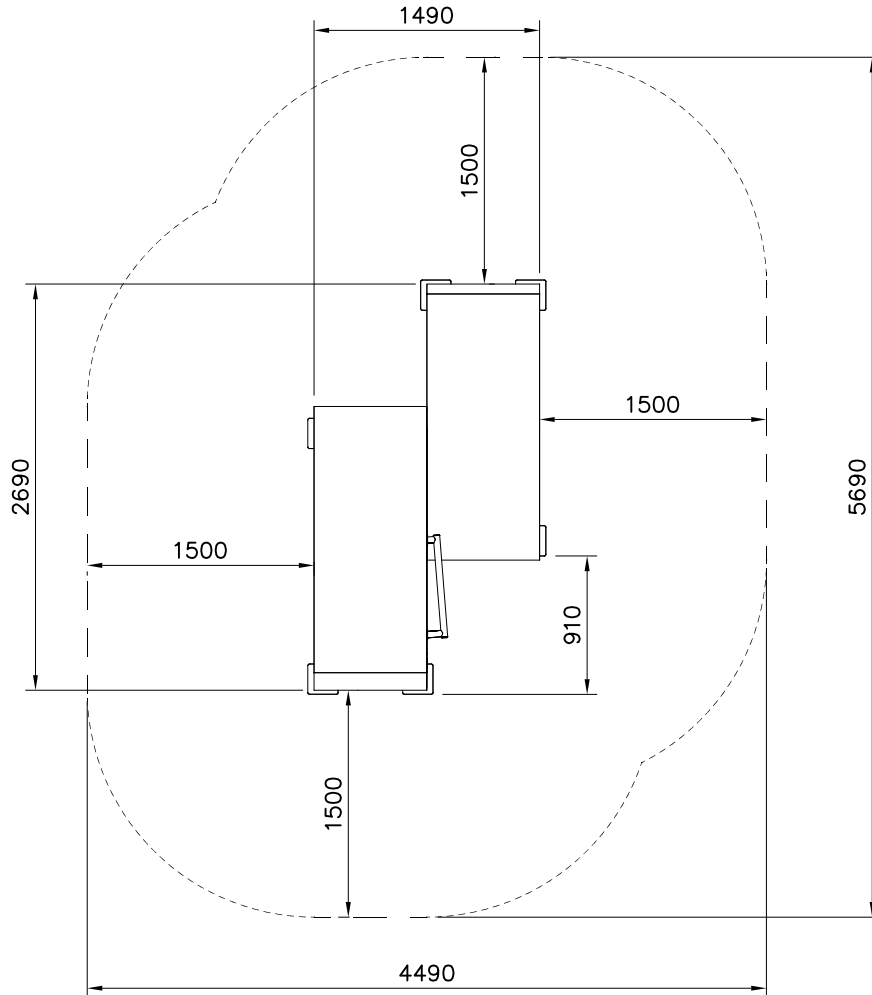
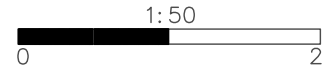


① 702286	PCS	② 707210	PCS
	1		8
65x65		118x118x503	
③ 707213	PCS	④ 708042	PCS
	4		2
118x118x1490		118x118x1185	
⑤ 708125	PCS	⑥ 708127	PCS
	2		2
118x118x1326		118x118x603	
⑦ 708137	PCS	⑧ 708721	PCS
	2		2
118x118x745		15x745x1766	
⑨ 708723	PCS	⑩ 708724	PCS
	1		1
15x745x1185		15x745x1326	
⑪ 708725	PCS	⑫ 708726	PCS
	1		1
15x603x745		15x745x745	
⑬ 708834	PCS	⑭ 708835	PCS
	1		1
15x745x470		15x745x612	
⑮ 708857	PCS	⑯ 709204	PCS
JIG	1		1
		15x745x1495	
20x133x149			

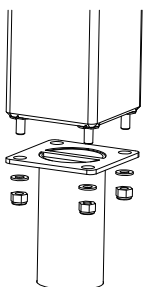
17 911303 COLOR  15x745x1495	PCS 1	18 911305 COLOR  15x745x1192	PCS 1	19 911307 COLOR  15x745x1050	PCS 1	20 900240  Ø8x70	PCS 76	21 903093  Ø8x90	PCS 16	22 903533  SRL12	PCS 6				
23 905086  Ø44/13.5x3.9	PCS 2	24 905103  PT-28/32-H	PCS 16	25 905112  Ø22	PCS 16	26 908371  42-38/40	PCS 2	27 908698  3x114x108	PCS 16	28 909132  M12x280	PCS 1				
29 909248  M12	PCS 1	30 910056  140x690	PCS 1	31 910266  90x108x118	PCS 8	32 980123  Ø7x60	PCS 88	33 910328  L 1466	PCS 1	34 980100  Ø5x60	PCS 96				
35 980114  Ø4x20	PCS 4	FOOT OPTIONS <table border="1" style="width: 100%;"> <tr> <td> 709261+ 910267 SURFACE  152x200x200 </td> <td>PCS 8</td> <td> 709262+ 910567 CONCRETE  117x117x715 </td> <td>PCS 8</td> </tr> </table>										709261+ 910267 SURFACE  152x200x200	PCS 8	709262+ 910567 CONCRETE  117x117x715	PCS 8
709261+ 910267 SURFACE  152x200x200	PCS 8	709262+ 910567 CONCRETE  117x117x715	PCS 8												



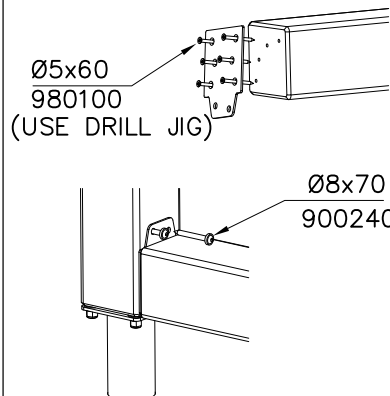
----- Falling Space 21.5 m2
Max Falling Height 1500 mm



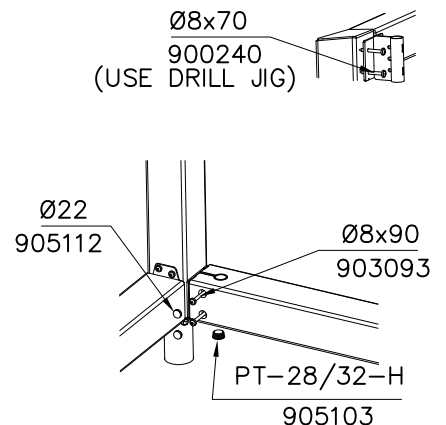
DET 1

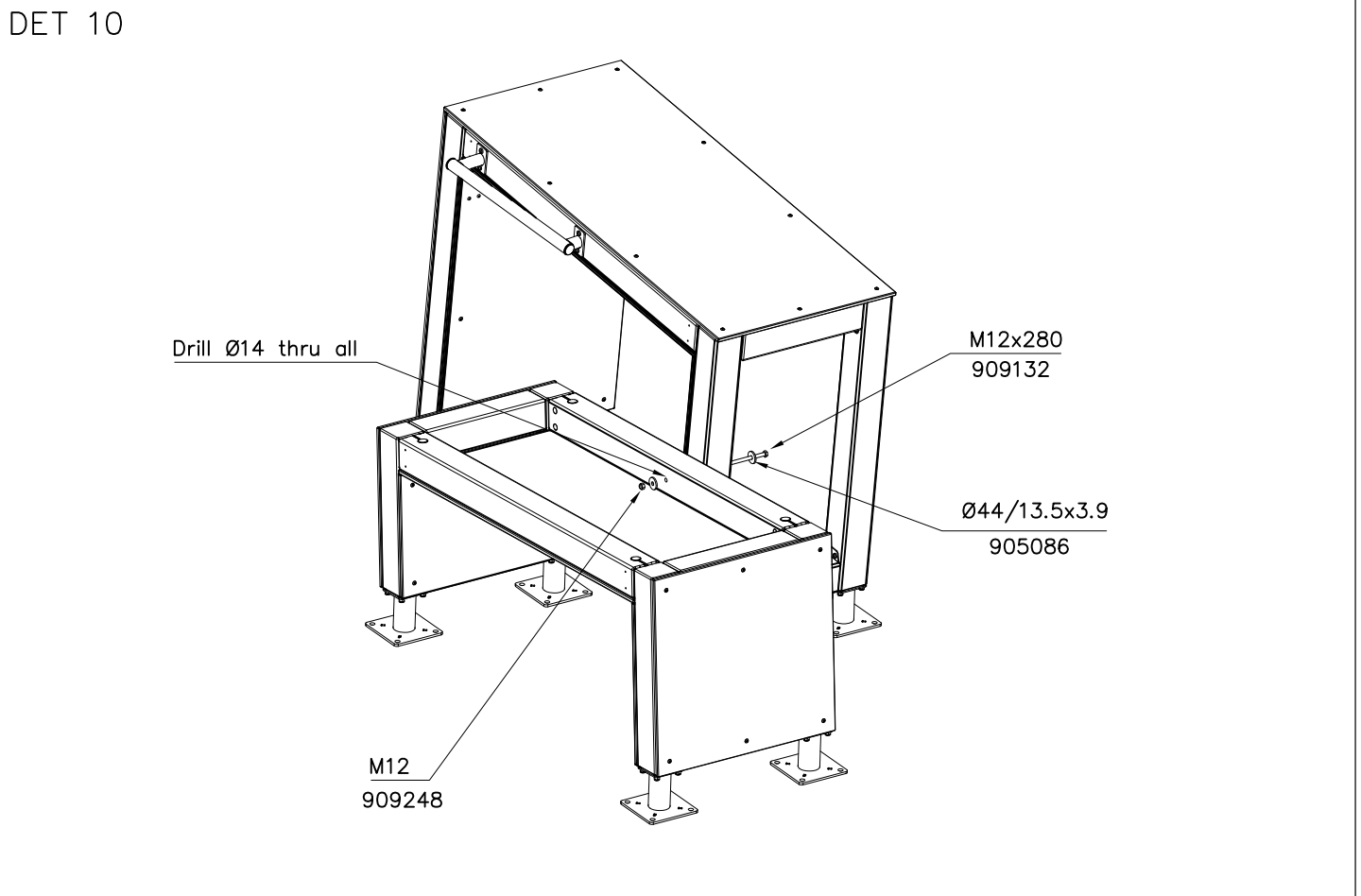
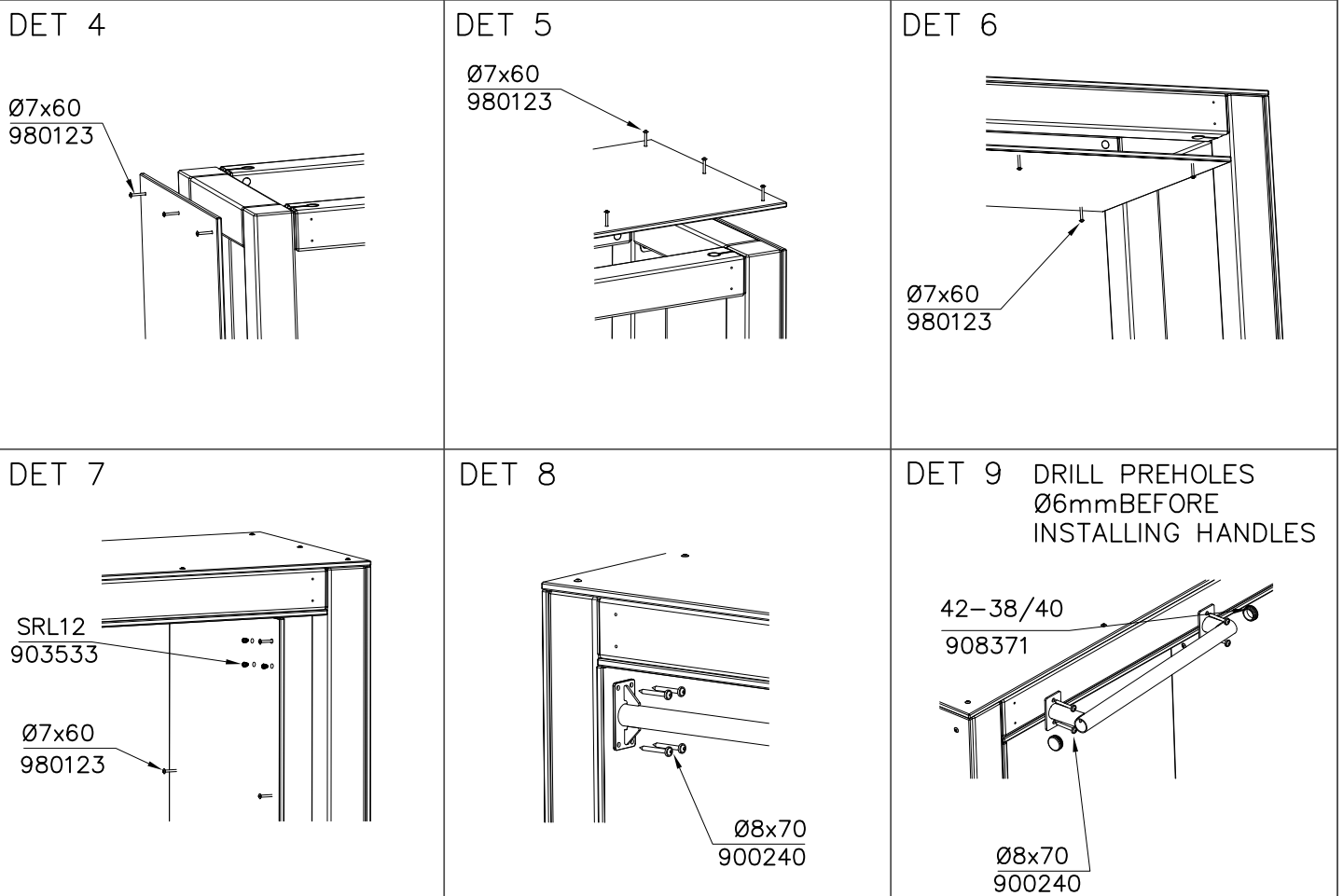


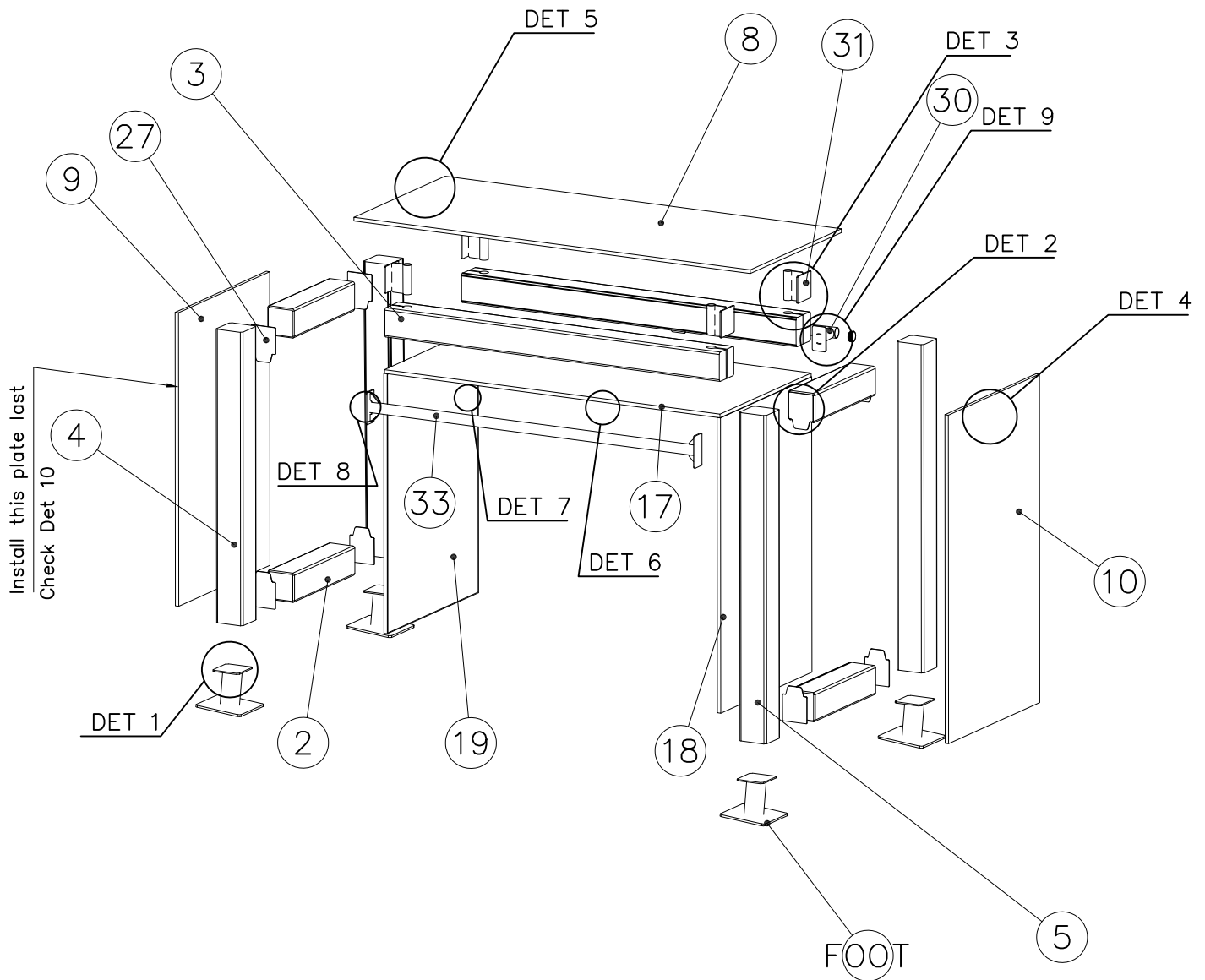
DET 2



DET 3

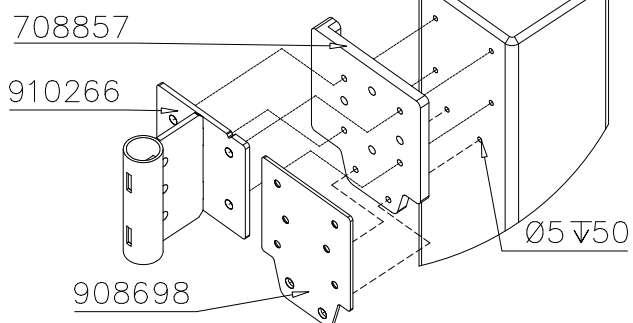




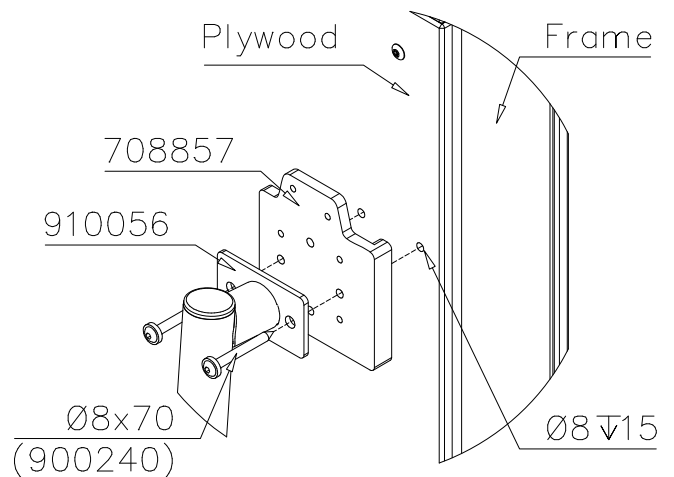


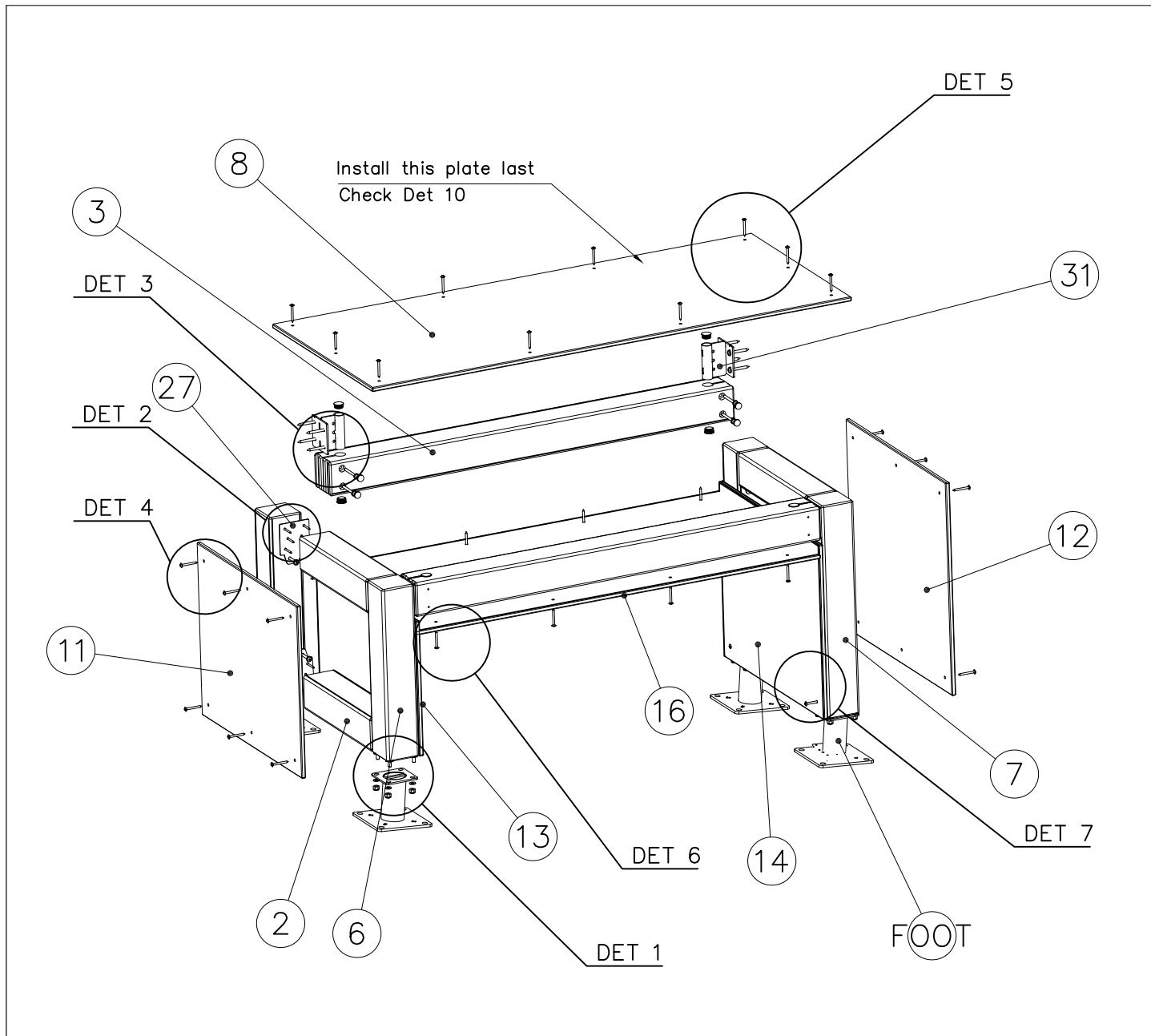
JIG DET A (USE DET 2-3)

NOTE:
Use drill jig 708857
to predrill $\text{Ø}5 \nabla 50$
holes for 910266
and 908698



JIG DET B (USE DET 9)





JIG DET A (USE DET 2-3)

NOTE:

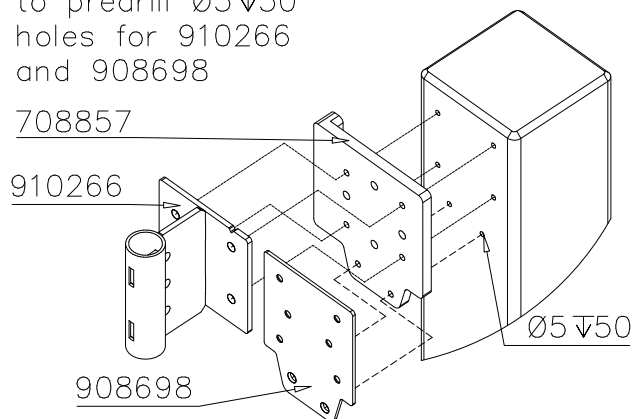
Use drill jig 708857
to predrill $\text{Ø}5 \nabla 50$
holes for 910266
and 908698

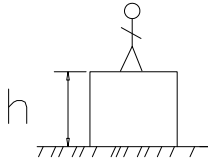



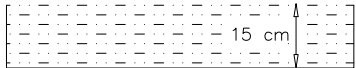
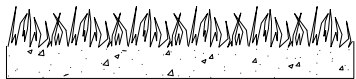
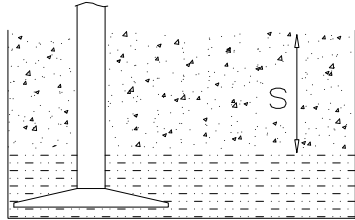
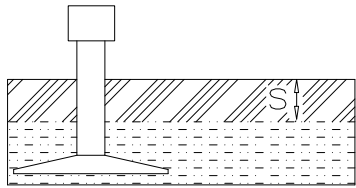
708857

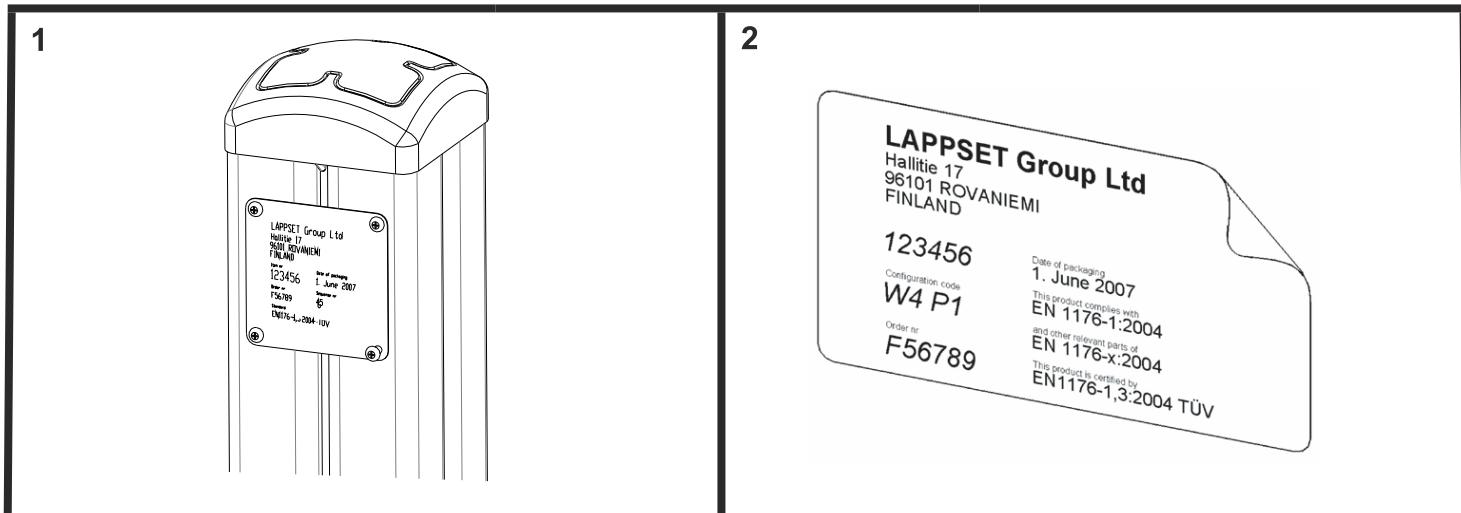
910266

908698

$\text{Ø}5 \nabla 50$



														
<p>$h < 1600$</p>	<p>Totally hard surfaces or materials with very limited impact attenuating properties.</p> <p>Case by case risk assessment is needed including e.g. evaluation whether there is forced movement, what is the intended exercise and where will the product be installed.</p> <p>Materials with significant impact attenuating properties.</p>	<p>Totally hard surfaces. E.g. concrete or asphalt</p>  <p>Materials with very limited impact attenuating properties. E.g. wood</p>  <p>fine gravel 0–8 mm</p>  <p>Unsorted sand/ topsoil</p>  <p>Lawn</p> 												
<p>$h = 1600-$ $h < 3000$</p>	<p>Loose fill material</p> <p>E.g. sand/gravel 0,25...8 mm D60/D10<3,0 Woodchips 5...30 mm bark 20...80 mm</p>	 <p>\underline{S} 30 cm \underline{h} < 3,0 m</p>												
	<p>Syntethic granulates</p> <table border="0"> <thead> <tr> <th>\underline{S}</th> <th>\underline{h}</th> </tr> </thead> <tbody> <tr> <td>40 mm</td> <td>~> 1,6...~< 1,8 m</td> </tr> <tr> <td>50 mm</td> <td>~> 1,8...~< 2,25 m</td> </tr> <tr> <td>55 mm</td> <td>~> 2,25...~< 2,4 m</td> </tr> <tr> <td>60 mm</td> <td>~> 2,4...~< 2,55 m</td> </tr> <tr> <td>70 mm</td> <td>~> 2,55...~< 3,0 m</td> </tr> </tbody> </table> <p>Note. For accurate values, see manufacturer's instructions.</p>	\underline{S}	\underline{h}	40 mm	~> 1,6...~< 1,8 m	50 mm	~> 1,8...~< 2,25 m	55 mm	~> 2,25...~< 2,4 m	60 mm	~> 2,4...~< 2,55 m	70 mm	~> 2,55...~< 3,0 m	
\underline{S}	\underline{h}													
40 mm	~> 1,6...~< 1,8 m													
50 mm	~> 1,8...~< 2,25 m													
55 mm	~> 2,25...~< 2,4 m													
60 mm	~> 2,4...~< 2,55 m													
70 mm	~> 2,55...~< 3,0 m													



Tuotekyltti tulee tuotteen mukana yhdellä seuraavista tavoista:

1) Metallinen tuotekyltti ja kiinnitysruuvit

- Kiinnitä tuotekyltti ruuveilla tolppaan noin 2 metrin korkeuteen kuvan 1 mukaisesti.

2) Tuotekyltitarra

- Puhdista maalattu metalli- tai vaneripinta pölystä ja kosteudesta. Liimaa tarra kuvan 2 mukaisesti.
- Huom. Älä kiinnitä tarraa karheapintaiseen laminaattiin tai maalattuun puuhun.

Vår produktmärkning levereras på ett av följande sätt:

1) Produktskylt i metall

- Fäst skylten med de medföljande skruvarna

2) Självhäftande produktetikett

- Rengör den pulverlackerade metallytan eller laminatyten så att den blir fri från smuts och fukt. Fäst etiketten enligt fig. 2.
- Obs! Fäst ej etiketten på detaljer med skrovlig yta eller på målat trä.

Product label is delivered by one of following ways:

1) Metal product label and screws

- Fasten the label with screws.

2) Label sticker

- Clean the painted metal or plywood surface from dirt and moisture. Fasten the sticker as shown in the figure 2.
- Note. Do not attach the sticker to rough surfaced laminate or painted wood.

La plaque d'informations produit est livrée sous l'une de ces 3 formes :

1) Plaque métallique et vis

- Fixez la plaque à l'aide des vis.

2) Etiquette autocollante

- Avant de coller l'étiquette, nettoyez le composant métallique peint ou la plaque de contreplaqué, de toute saleté. La surface doit être sèche (voir image 2).
- Attention, ne pas coller l'étiquette sur une surface lamellé-collée irrégulière ou sur du bois peint.

Die Auslieferung des Produktaufklebers erfolgt auf eine dieser Arten:

1) Produkt-Schild aus Metall incl. Schrauben

- Die Befestigung des Schildes erfolgt mittels der Schrauben.

2) Aufkleber

- Entfernen Sie zunächst Schmutz und Feuchtigkeit vom lackierten Metall bzw. von der Holzoberfläche und bringen Sie den Aufkleber wie im Bild oben rechts beschrieben auf den gesäuberten Untergrund auf.
- Beachten Sie: Bringen Sie den Aufkleber nicht auf raues laminiertes oder lackiertes Holz an.