

# WINAM GROUP

137020M

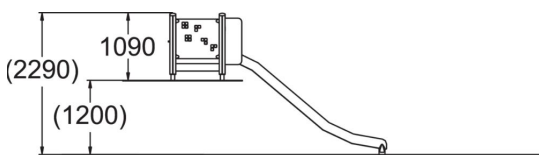
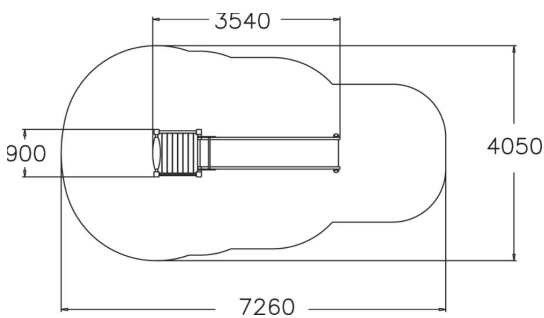
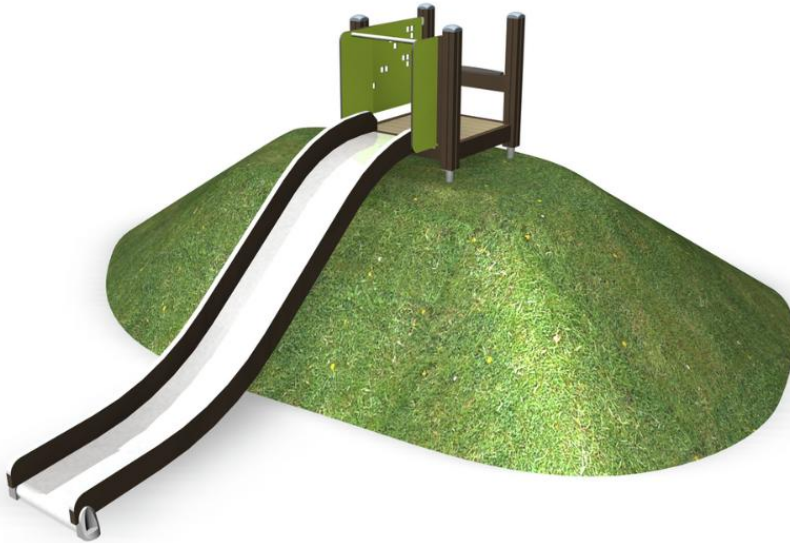
## Embankment Slide



Slides  
1



Towers  
1



User age	2+
Number of users	7
Product length, mm	3540
Product width, mm	900
Product height, mm	2290
Impact area, m <sup>2</sup>	23
Falling space, m <sup>2</sup>	23
Height required, mm	3270
Max. free fall height, mm	1000
Safety info	EN 1176-1, 3 TÜV
Installation time (for 1), H	6
Foundation options	Deep mounting Surface mounting