



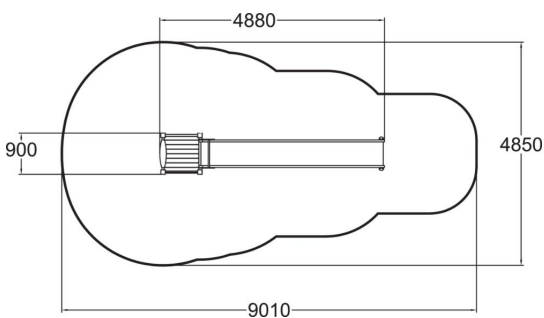
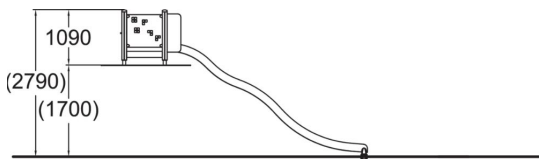
# WINAM GROUP

137025M

## Embankment Slide



-  Slides  
1
-  Towers  
1



User age	2+
Number of users	8
Product length, mm	4880
Product width, mm	900
Product height, mm	2790
Impact area, m <sup>2</sup>	32.2
Falling space, m <sup>2</sup>	32.2
Height required, mm	3870
Max. free fall height, mm	1000
Safety info	EN 1176-1, 3 TÜV
Installation time (for 1), H	6
Foundation options	Deep mounting Surface mounting