

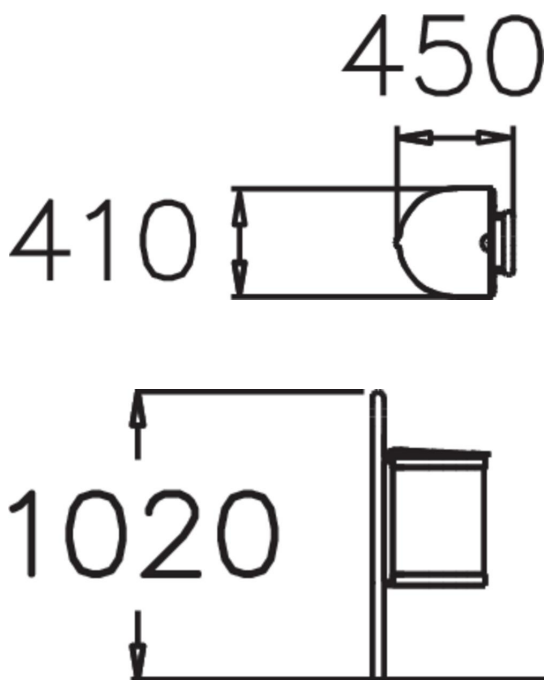
# WINAM GROUP

NF2456

## STORHALVAR LITTER BIN



Litter bin for all outdoor environments. Storhalvar is a litter bin with a lid, and holds 50 litres. Storhalvar can either be fixed to the ground with two 40 mm posts, or affixed to a wall (NF2455).



Product length, mm	450
Product width, mm	410
Product height, mm	1020
Foundation options	Deep mounting
Metal colour	